

The ISN Advantage

Field Output Module 3 (FOM3)

Part Number: 071-04142-000

The Field Output Module 3 (FOM3) is a four-channel digital output relay card that is used in conjunction with any ISN digital controller. The card includes four (4) independent relays, each rated at 500 VA, increasing the capacity above the standard relays included with some controllers or controller modules.

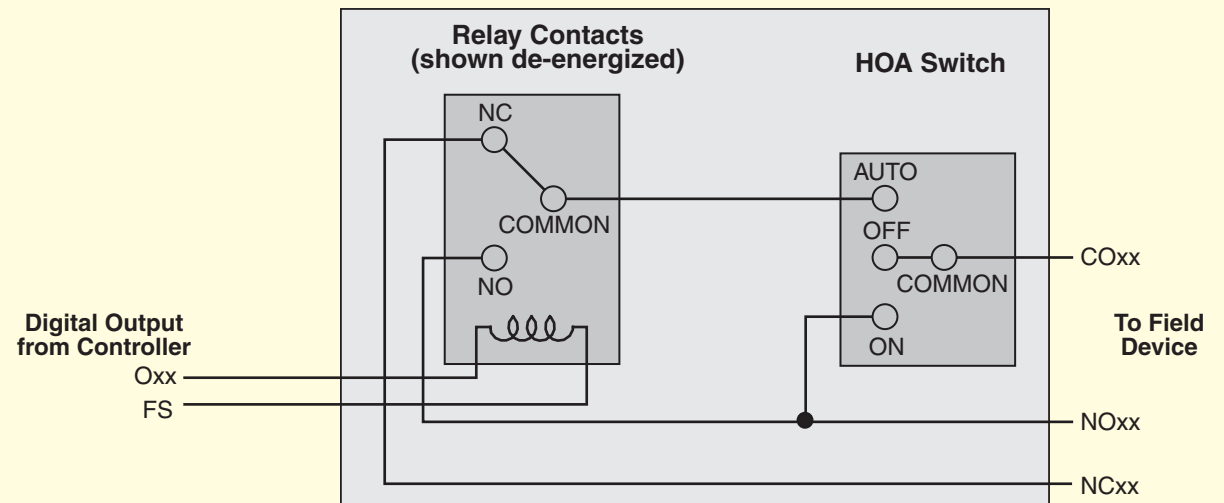
Each channel uses a digital signal from the ISN controller to activate the relay card. The digital signal energizes the relay, changing the relay from normally closed to normally open. The relays are volt-free contacts.

A Hand-Off-Auto (HOA) switch for each channel allows manual control to assist in commissioning and troubleshooting procedures. The HOA switch contacts are connected in parallel with the relay to allow local control of the device even in the event of input power supply failure.

The FOM3 is packaged in a small housing with a DIN rail clip. This allows the unit to be mounted up to 3300 ft. (1000 m) from the controller to simplify wiring.



FOM3 Operational Schematic



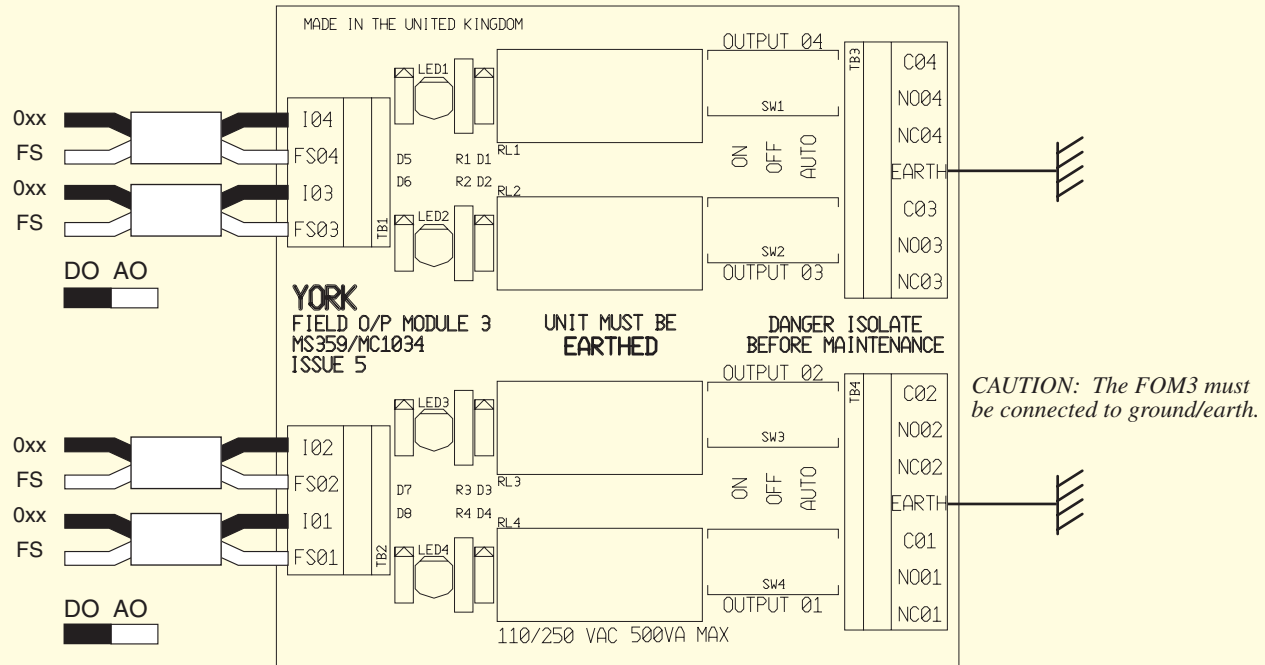
The ISN Advantage

Field Output Module 3 (FOM3)

The FOM3 card is shipped in a plastic housing with a DIN rail mounting clip.

Shielded/screened cable must be used for the inputs to the FOM3, 24 VDC power supply and the ISN controller to FOM3 connection. The shields should be connected to the ground/earth at the controller end only. Refer to the ISN wiring specification for specific recommendations.

Be sure the controller is set to send a digital output. This typically requires setting a jumper (link) to DO.



Power (from ISN Controller through digital outputs):
24 VDC from ISN Controller
140 mA Current Draw

Contact Ratings:
2.0 amps @ 230 VAC Maximum
4.0 amps @ 115 VAC Maximum
Power Factor: 0.8 to 1

4 Channels with HOA Manual Toggle Switch and Red LED for each channel

Cable between controller and FOM3:
22 to 16 AWG (0.325 to 1.5 mm²)
Shielded, Twisted-pair (Belden 8442 or better)
Maximum distance from controller is 3300 ft. (1000 m)
Removable connectors accept maximum 16 AWG (1.5 mm²) wire size

Dimensions on DIN rail (H x W x D):
3.78 x 3.66 x 2.16 in. (96 x 93 x 55 mm)

 **YORK** INTERNATIONAL
CORPORATION

Subject to change without notice.
Copyright © by York International Corporation 2002
ALL RIGHTS RESERVED
Form 450.20-N25 (702)
New Release

Contact:

YORK Controls Group (U.K. Office)
Unit 1, Red Shute Hill, Hermitage,
Newbury, Berks RG18 9QL
Telephone: +44 (0)1635-202200
Fax: +44 (0)1635-202222
e-mail: controls.sales@uk.york.com

YORK Controls Group (U.S. Office)
P.O. Box 1592, York, PA, USA 17405-1592
Telephone: 800-861-1001
Fax: (717) 771-7640
www.york.com
e-mail: isncontrols@york.com