

Signal Status LED
 For digital signals:
 ON = Relay coil energized
 OFF = Relay coil deenergized

Each output channel connector block has a Common (CO_n), Normally Open(NO_n) and Normally Closed (NC_n) terminal.

Feedback Connector
 HOA Feedback determines if the Manual Override Switch is in the AUTO position using an analog input channel.

Record Module Address
 Module Address (1 to 9, A to F)

The Output Module addresses must be numbered sequentially.

System Status LED

The SYSTEM STATUS LED illuminates when functioning properly. If not lit, power is removed or the module is not functioning.
 1 flash per second = Normal Operation
 2 flashes per second = Address not set
 1 flash per two seconds = Duplicate Address (Two modules use the same address)
 Continuously ON = Software (F64) is not enabled

Output Connections
 Record the Channel information. Circle the selected switch position.

ON	CO3
OFF	NC3
AUTO	NO3
ON	CO4
OFF	NC4
AUTO	NO4
ON	CO5
OFF	NC5
AUTO	NO5
ON	CO6
OFF	NC6
AUTO	NO6

Note: The 4-Way Relay Output Module takes up 1 card address and provides 4 I/O points. The UDC allows a maximum of 10 cards. An additional I/O is required when connecting the HOA Feedback.

4-Way Relay
Output Module
 for CX-UDC & UDC

I/O Bus and Power Supply Connector (to next module)

Record
 SN:
 Date:

ISNConnexsys

The **ISN** Advantage

4-Way Relay Output Module

for CX-UDC & UDC

Part Number: 371-03766-000

The 4-Way Relay Output Module has 4 sets of volt-free contacts to control external field devices. For inductive loads, the control contacts are rated at 24 to 240 VAC with a 3-amp maximum for 240 VAC and 6-amp maximum for 115 VAC. For resistive loads, the control contacts are rated at 24 to 240 VAC with a 5-amp maximum for 240 VAC and 6-amp maximum for 115 VAC.

An override switch for each channel allows manually switching the channel OFF (no power to the coil side), ON (closes the NO contacts) or AUTO (software controlled).

The AUTO position of each channel can be monitored using the HOA Feedback feature. When the Feedback signal is connected to an analog input (requires an input module), the software decodes the signal using F56 De-Multiplexing to determine which channels are in the AUTO position.

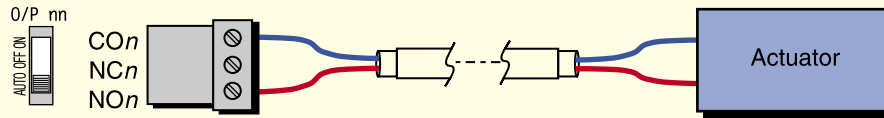
The module includes a 220 mm (8.6 in.) I/O bus cable and Earth/Ground strip with attaching hardware.

Other modules are available for different types of input and output signals. This equipment is an accessory intended for use with the CX-UDC and UDC product lines for field installation within an enclosure.

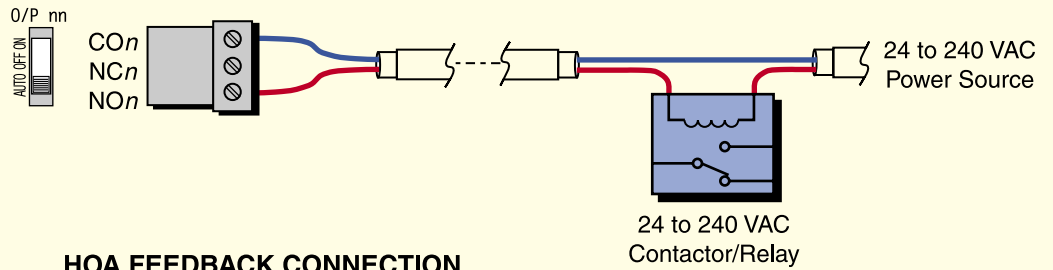
YORK INTERNATIONAL CORPORATION

Subject to change without notice.
Copyright © by York International Corporation 2004
ALL RIGHTS RESERVED
Form 450.20-N18 (704)
Supersedes 450.20-N18 (802)

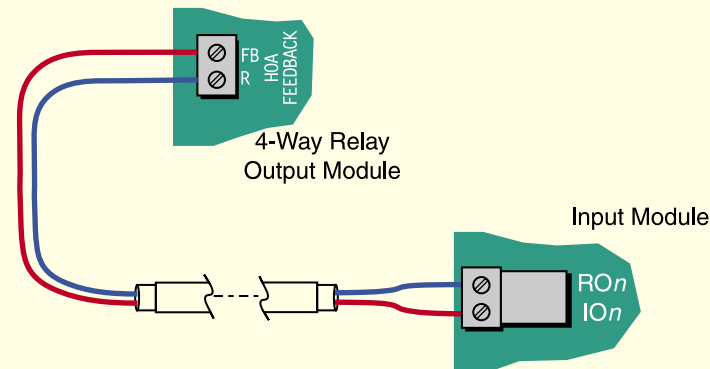
CONNECTION DIRECT TO AN ACTUATOR



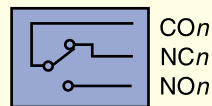
CONNECTION TO A PILOT RELAY



HOA FEEDBACK CONNECTION



Internal Relay Schematic



Contact:

YORK Controls Group (U.K. Office)
Unit 1, Red Shute Hill, Hermitage,
Newbury, Berks RG18 9QL
Telephone: +44 (0)1635-202200
Fax: +44 (0)1635-202222
e-mail: controls.sales@uk.york.com

YORK Controls Group (U.S. Office)
P.O. Box 1592, York, PA, USA 17405-1592
Telephone: 800-861-1001
Fax: (717) 771-7640
www.york.com
e-mail: isncontrols@york.com