	BUILDING AUTOMATION SYSTEMS	
RENEWAL PARTS LIST	Supersedes: 450.00-RP1 (104)	Form 450.00-RP1 (1004)

Building Automation Systems Parts Listing

IMPORTANT!

READ BEFORE PROCEEDING!

GENERAL SAFETY GUIDELINES

During installation, operation, maintenance or service, individuals may be exposed to certain components or conditions including, but not limited to, refrigerants, oils, materials under pressure, rotating components, and both high and low voltage. Each of these items has the potential, if misused or handled improperly, to cause bodily injury or death. It is the obligation and responsibility of operating/service personnel to identify and recognize these inherent hazards, protect themselves, and proceed safely in completing their tasks. Failure to comply with any of these requirements could result in serious damage to the equipment and the property in which it is situated, as well as severe personal injury or death to themselves and people at the site.

This document is intended for use by owner-authorized operating/service personnel. It is expected that this individual possesses independent training that enables them to perform their assigned tasks properly and safely. It is essential that, prior to performing any

task on this equipment, this individual has read and understood this document and any referenced materials. This individual shall also be familiar with and comply with all applicable governmental standards and regulations pertaining to the task in question.

Every effort has been made to provide representative illustrations of the products shown in this manual. Since items change and many are similar in appearance, illustrations may show a single, representative part. References in the text are then made to reflect the variation due to options and variations.

If no item callout is referenced in the text, the part number represents the complete unit when shown at the top of the list. If shown at the bottom of the list, the part number represents a kit or option available for the product.

CHANGEABILITY OF THIS DOCUMENT

In complying with YORK's policy for continuous product improvement, the information contained in this document is subject to change without notice. While YORK makes no commitment to update or provide current information automatically to the manual owner, that information, if applicable, can be obtained by contacting the nearest YORK Engineered Systems Group office.

It is the responsibility of operating/service personnel as to the applicability of these documents. If there is any question in the mind of operating/service personnel as to the applicability of these documents, then, prior to working on the equipment, they should verify with the owner whether the equipment has been modified and if current documentation is available.

PARTS ORDER INFORMATION

While every attempt is made to service the parts shown and listed in this document, YORK makes no claims to the availability and/or timeliness of replacement parts. At YORK's discretion components may be discontinued or replaced with upgraded or improved parts. Due to the continuous improvement process, YORK International rejects responsibility for retrofit of field-installed parts which have been improved or redesigned.

To order spare or replacement parts listed in this manual contact:

York Parts Distribution Center
9104 Yellow Brick Rd.
P.O. Box 72229
Baltimore, MD 21237-2229
Phone: (800) 932-1701

or the regional Parts Distribution Center.

To order products for new installations (Part No. 371-xxxxx-xxx), contact:

York Controls Group
Unit1 Red Shute Hill,
Hermitage, Newbury, Berkshire RG18 9QL
Tel: 011-441-1635 202201
Fax: 011-441-1635 202222

WARNING!

HIGH VOLTAGE

Is used in the operation of this equipment.

DEATH OR SERIOUS INJURY

may result if personnel fail to observe safety precautions.

Work on electronic equipment should not be undertaken unless the individual(s) have been trained in the proper maintenance of equipment and is (are) familiar with its potential hazards.

Shut off power supply to the equipment before beginning work and follow lockout procedures. When working inside equipment with power off, take care to discharge every capacitor likely to hold dangerous potential.

Be careful not to contact high voltage connections when installing or operating this equipment.

LOW VOLTAGE

DO NOT be misled by the term "low voltage." Voltages as low as 50 volts may cause death.

TABLE OF CONTENTS

Changeability Of This Document 3

Parts Order Information 3

Miscellaneous Service and Testing Tools 5

SECTION 1 – TRANSLATORS AND INTEGRATION

Figure 1-1. MicroGateway w/ Enclosure and Power Supply 7

Figure 1-2. MicroGateway OptiView Kit 11

Figure 1-3. York Talk XL and RS232 Translator..... 13

Figure 1-4. Data Bridge for BACnet..... 15

Figure 1-5. Gateway for LONWORKS..... 17

Figure 1-6. CX-MicroGateway 19

SECTION 2 – APPLICATION-SPECIFIC CONTROLLERS

Figure 2-1. LINC Chiller 21

Figure 2-2. eco² Gateway 25

Figure 2-3. TDCE and CX-TDCE..... 27

Figure 2-4. FlexSys Controllers 29

Figure 2-5. TDCVAV 31

Figure 2-6. TDCEVAV and CX-VAV 33

SECTION 3 – PROGRAMMABLE CONTROLLERS

Figure 3-1. EDC and SDC Controller..... 35

Figure 3-2. LDC and CSCC Controller 39

Figure 3-3. FDC Controller 43

Figure 3-4. UDC and CX-UDC Controller..... 45

Figure 3-5. IDC and CX-IDC..... 47

Figure 3-6. Universal LINC's 49

Figure 3-7. Advantage Guardian Modem 51

Figure 3-8. LINC Fiber Optic..... 53

Figure 3-9. Misc. Components..... 55

APPENDIX

LINC Chiller EPROM Cross-Reference 57

Part Number Index 58

Miscellaneous Service and Testing Tools

Name	Description	Obtain from
YBQT	Verifies BACnet communication	Polar Soft (www.gopolar.com/BACnet/)
BACnet Configurator	Configures Data Bridge for BACnet	York Controls website (http://intranet.york.com/web0147/)
ModScan32	Verifies Modbus communication	WinTECH (www.win-tech.com)
LonMaker™	Configures Gateway for LONWORKS®	Echelon Corp. (www.echelon.com/)
MicroGateway Configurator	Configures ISN (original) MicroGateway	York Controls website (http://intranet.york.com/web0147/)
IcE	Configures YORK's ISN Programmable Controllers	York Controls U.K. office (Tel: 011-441-1635 202201 Fax: 011-441-1635 202222)
Facility Manager	Graphical Front-end Software for ISN networks	York Controls U.K. office (Tel: 011-441-1635 202201 Fax: 011-441-1635 202222)

Figure 1-1. MicroGateway w/ Enclosure and Power Supply

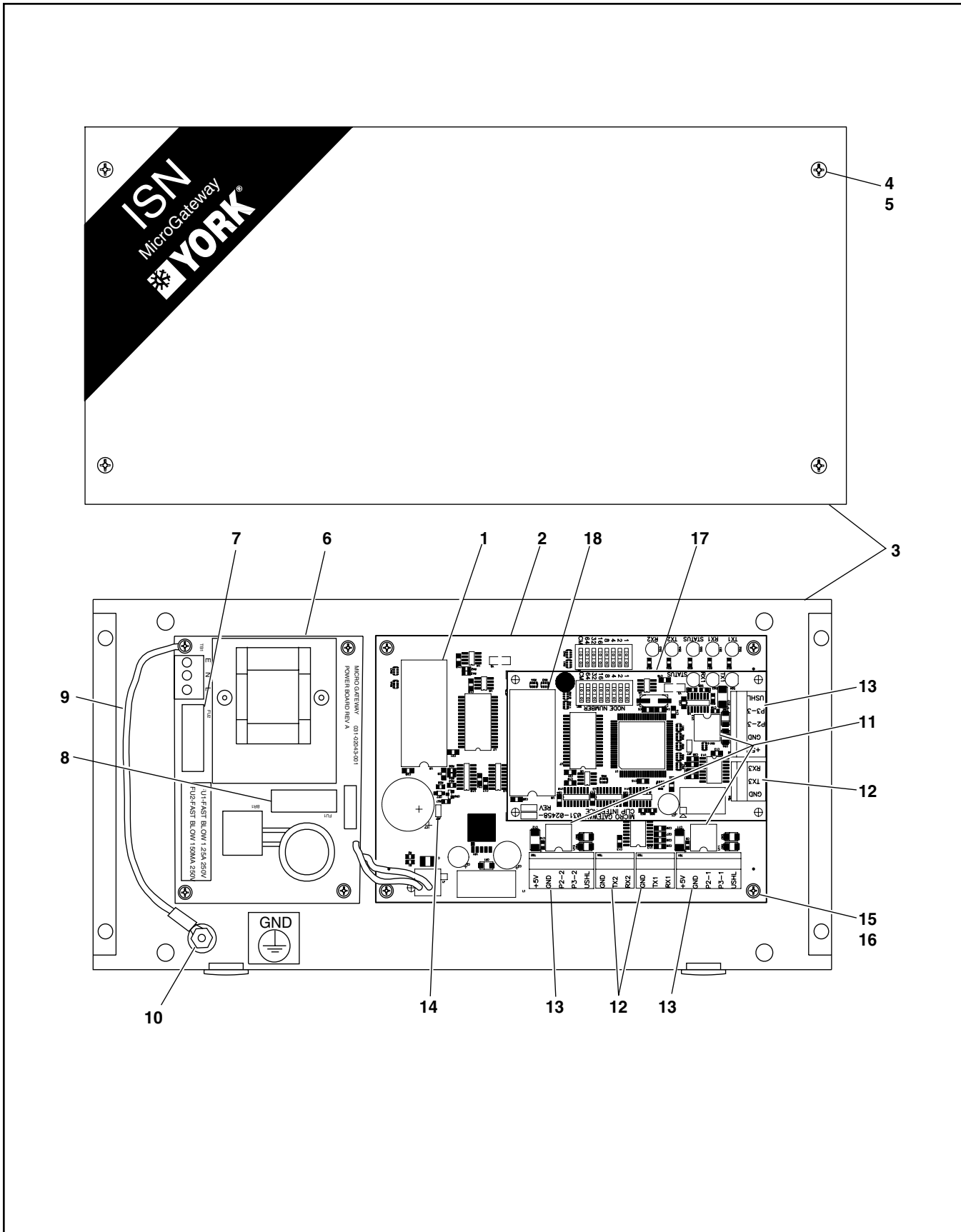


Figure 1-1. MicroGateway w/ Enclosure and Power Supply

ITEM	QTY.	DESCRIPTION	PART NO.	NOTES
		ISN MicroGateway, 115 VAC (No Quick Start)	371-02592-101	
		ISN MicroGateway, 230 VAC (No Quick Start)	371-02592-201	
		Modbus MicroGateway, 115 VAC	371-02592-102	
		Modbus MicroGateway, 115 VAC w/CLIP	371-02592-112	
		Modbus MicroGateway, 230 VAC	371-02592-202	
		Modbus MicroGateway, 230 VAC w/CLIP	371-02592-212	
		N2 MicroGateway 115 VAC	371-02592-103	
		N2 MicroGateway 115 VAC w/CLIP	371-02592-113	
		N2 MicroGateway 115 VAC	371-02592-203	
		N2 MicroGateway 115 VAC w/CLIP	371-02592-213	
		ASCII MicroGateway, 115 VAC	371-02592-104	
		ASCII MicroGateway, 115 VAC w/CLIP	371-02592-114	
		ASCII MicroGateway, 230 VAC	371-02592-204	
		ASCII MicroGateway, 230 VAC w/CLIP	371-02592-214	
		BACnet MS/TP MicroGateway, 115 VAC	371-02592-105	
		BACnet MS/TP MicroGateway, 115 VAC w/CLIP	371-02592-115	
		BACnet MS/TP MicroGateway, 230 VAC	371-02592-205	
		BACnet MS/TP MicroGateway, 230 VAC w/CLIP	371-02592-215	
		Data Bridge MicroGateway, 115 VAC	371-02592-107	
		Data Bridge MicroGateway, 230 VAC	371-02592-207	
		Includes the following items:		
1	1	EPROM, ISN MicroGateway (No Quick Start)	031-02200-001	A
	1	EPROM, Modbus	031-02200-002	A
	1	EPROM, N2	031-02200-003	A
	1	EPROM, ASCII	031-02200-004	A
	1	EPROM, BACnet MS/TP	031-02200-005	A
	1	EPROM, Data Bridge	031-02200-007	A
2	1	MicroGateway Circuit Board Order EPROMs Separately	031-02039-000	
3	1	Enclosure	NSS	
4	4	Screw, #6-32 x 3/4"	PL	
5	4	Washer, Star Lock	PL	
6	1	Power Board, 115 VAC, Includes Items 5 thru 8	031-02043-001	
	1	Power Board, 230 VAC, Includes Items 5 thru 8	031-02043-002	
7	1	Fuse, 5 x 20 Fast-Blow, 160 mA, 250 VAC	PL	
8	1	Fuse, 5 x 20 Fast-Blow, 1.25 A, 250 VAC	PL	
9	AR	Wire, 16 Gauge	PL	
10	2	Nut, #10	PL	
11	2/3	Driver, RS485	LTC485CN8	
12	2/3	Connector, 3-Pin	PL	
13	2/3	Connector, 5-Pin	PL	

A Verify the correct software revision level.
 AR As Required
 PL Purchase Locally
 NSS Not Sold Separately

Figure 1-1. MicroGateway w/ Enclosure and Power Supply
(Continued)

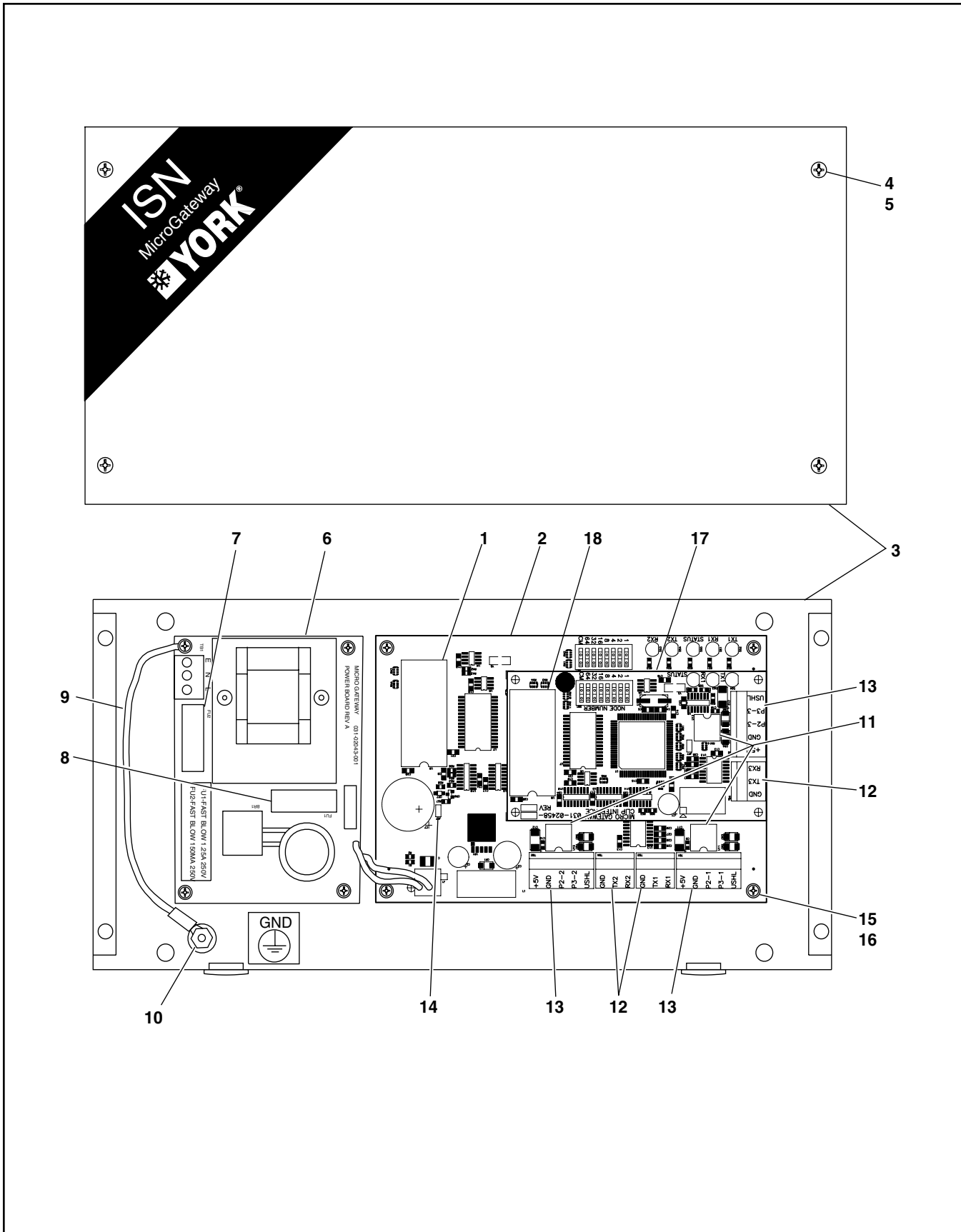


Figure 1-1. MicroGateway w/ Enclosure and Power Supply
(Continued)

ITEM	QTY.	DESCRIPTION	PART NO.	NOTES
		ISN MicroGateway, 115 VAC (No Quick Start)	371-02592-101	
		ISN MicroGateway, 230 VAC (No Quick Start)	371-02592-201	
		Modbus MicroGateway, 115 VAC	371-02592-102	
		Modbus MicroGateway, 115 VAC w/CLIP	371-02592-112	
		Modbus MicroGateway, 230 VAC	371-02592-202	
		Modbus MicroGateway, 230 VAC w/CLIP	371-02592-212	
		N2 MicroGateway 115 VAC	371-02592-103	
		N2 MicroGateway 115 VAC w/CLIP	371-02592-113	
		N2 MicroGateway 115 VAC	371-02592-203	
		N2 MicroGateway 115 VAC w/CLIP	371-02592-213	
		ASCII MicroGateway, 115 VAC	371-02592-104	
		ASCII MicroGateway, 115 VAC w/CLIP	371-02592-114	
		ASCII MicroGateway, 230 VAC	371-02592-204	
		ASCII MicroGateway, 230 VAC w/CLIP	371-02592-214	
		BACnet MS/TP MicroGateway, 115 VAC	371-02592-105	
		BACnet MS/TP MicroGateway, 115 VAC w/CLIP	371-02592-115	
		BACnet MS/TP MicroGateway, 230 VAC	371-02592-205	
		BACnet MS/TP MicroGateway, 230 VAC w/CLIP	371-02592-215	
		Data Bridge MicroGateway, 115 VAC	371-02592-107	
		Data Bridge MicroGateway, 230 VAC	371-02592-207	
		Includes the following items:		
14	1	Jumper	PL	
15	4	Screw, #6 x 3/4"	PL	
16	4	Washer, #6 Flat	PL	
17	AR	CLIP Circuit Board Order EPROMs Separately	031-02458-000	
18	AR	EPROM, CLIP	031-02490-001	
<p>A <i>Verify the correct software revision level.</i> AR <i>As Required</i> PL <i>Purchase Locally</i> NSS <i>Not Sold Separately</i></p>				

Figure 1-2. MicroGateway OptiView Kit

*NOTE: For installation inside
OptiView micro panels.*

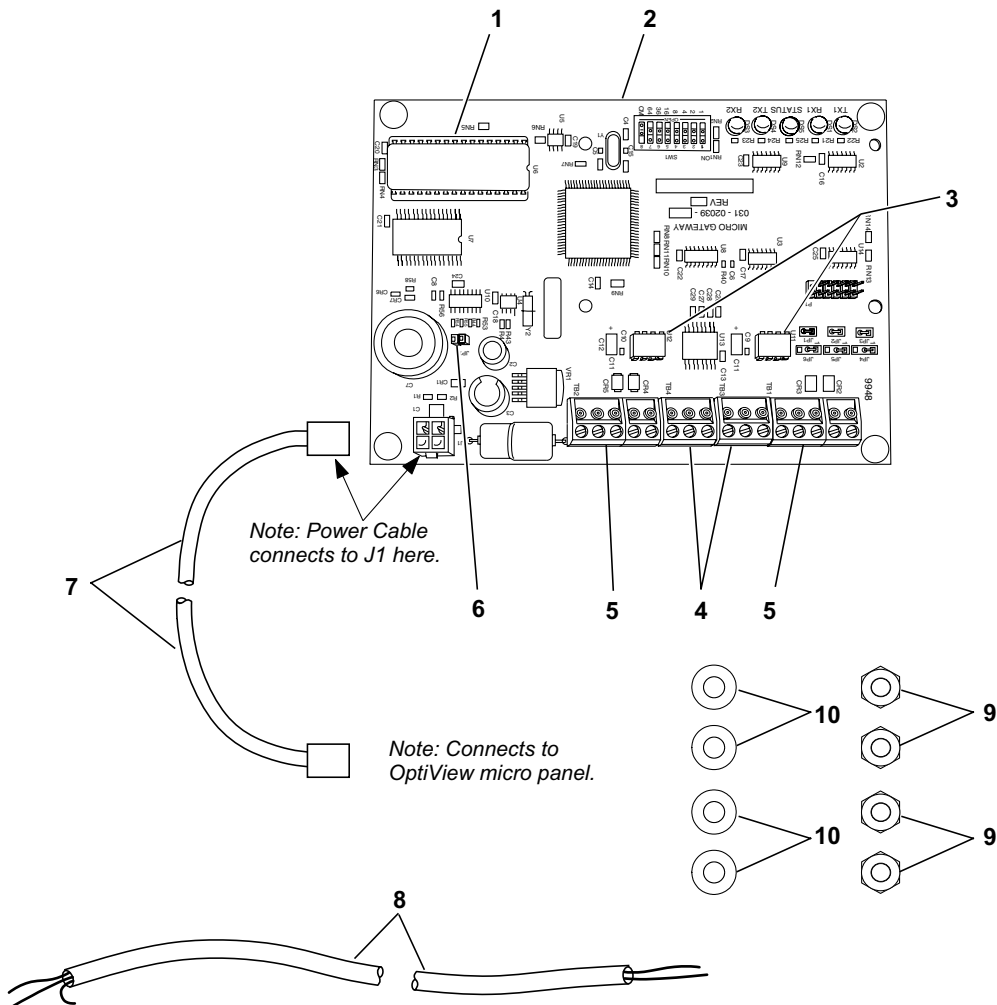


Figure 1-2. MicroGateway OptiView Kit

ITEM	QTY.	DESCRIPTION	PART NO.	NOTES
		ISN MicroGateway OptiView Kit (No Quick Start) Modbus MicroGateway OptiView Kit Modbus MicroGateway OptiView Kit w/CLIP N2 MicroGateway 115 VAC N2 MicroGateway 115 VAC w/CLIP ASCII MicroGateway OptiView Kit ASCII MicroGateway OptiView Kit w/CLIP BACnet MS/TP MicroGateway OptiView Kit BACnet MS/TP MicroGateway OptiView Kit w/CLIP Data Bridge MicroGateway OptiView Kit Includes the following items	371-03609-001 371-03609-002 371-03609-012 371-03609-003 371-03609-013 371-03609-004 371-03609-014 371-03609-005 371-03609-015 371-03609-007	
1	1	EPROM, ISN MicroGateway (No Quick Start)	031-02200-001	A
	1	EPROM, Modbus	031-02200-002	A
	1	EPROM, N2	031-02200-003	A
	1	EPROM, ASCII	031-02200-004	A
	1	EPROM, BACnet MS/TP	031-02200-005	A
	1	EPROM, Data Bridge	031-02200-007	A
2	1	MicroGateway Circuit Board, Order EPROMs Separately Order EPROMs Separately	031-02039-000	
3	2	Driver, RS485	LTC485CN8	
4	2	Connector, 3-Pin	PL	
5	2	Connector, 5-Pin	PL	
6	1	Jumper	PL	
7	1	Cable, Power	575-30731-452	
8	1	Cable, Communications	575-30731-451	
9	4	Nut, KEPS, #8-32	PL	
10	4	Washer, #8 Nylon	PL	
11	AR	CLIP Circuit Board Order EPROMs Separately	031-02458-000	
12	AR	EPROM, CLIP	031-02490-001z	
<p>A <i>Verify the correct software revision level.</i> AR <i>As Required</i> PL <i>Purchase Locally</i> NSS <i>Not Sold Separately</i></p>				

Figure 1-3. York Talk XL and RS232 Translator

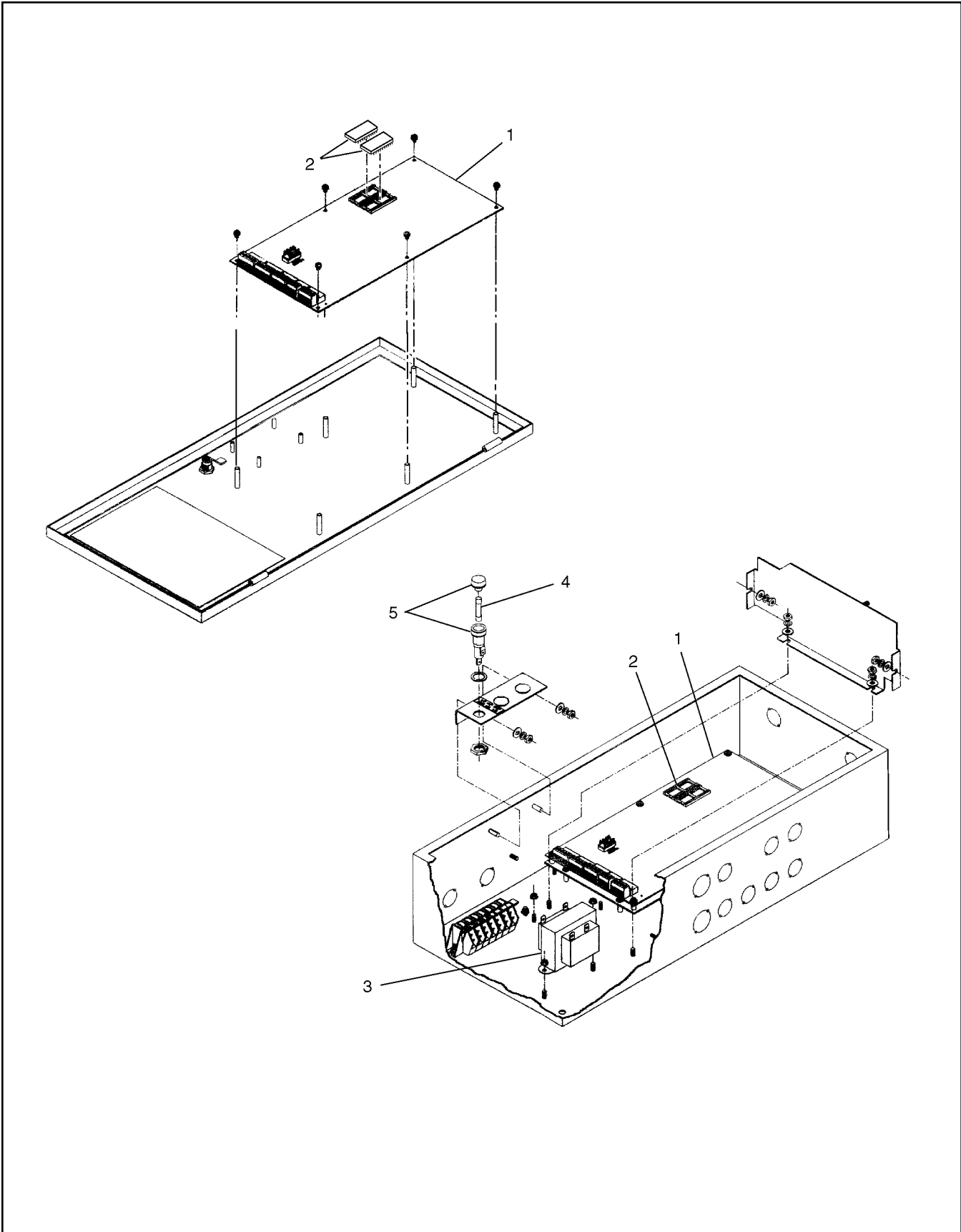


Figure 1-3. York Talk XL and RS232 Translator

ITEM	QTY.	DESCRIPTION	PART NO.	NOTES
		York Talk XL, Rev. 76 Software (19.2 kbaud) York Talk XL, Rev. 77 Software (50 kbaud) RS232 Translator, Rev. 76 Software (19.2 kbaud) RS232 Translator, Rev. 77 Software (50 kbaud) Includes the following items	371-02085-000 371-02085-001 371-02083-000 371-02083-001	
1	1/2	Advanced Processor Card, Rev. 77, 76 (071-01384-xxx)	371-01384-001	AB
	1/2	Advanced Processor Card, Rev. 6 (071-01089-xxx)	371-01089-005	AB
2	1	EPROM Set, York Talk XL, Rev. 77	EPR-02085-001	C
	1	EPROM Set, York Talk XL, Rev. 76, Rev. 6	EPR-02085-000	C
	2	EPROM Set, RS232 Translator, Rev. 77	EPR-02083-001	C
	2	EPROM Set, RS232 Translator, Rev. 76	EPR-02083-000	C
	2	EPROM Set, RS232 Translator, Rev. 6	EPR-02083-002	C
3	1	Transformer	025-19405-000	
4	1	Fuse, 1/2 amp, 250 V Buss	PL	
5	1	Fuse Holder	PL	

- A Refer to number on board (shown in parenthesis) for correct identification.
- B The York Talk XL uses one (1) APC, the RS232 Translator uses two (2) APCs.
- C EPROMs must be ordered in sets per card.
- PL Purchase Locally

Figure 1-4. Data Bridge for BACnet

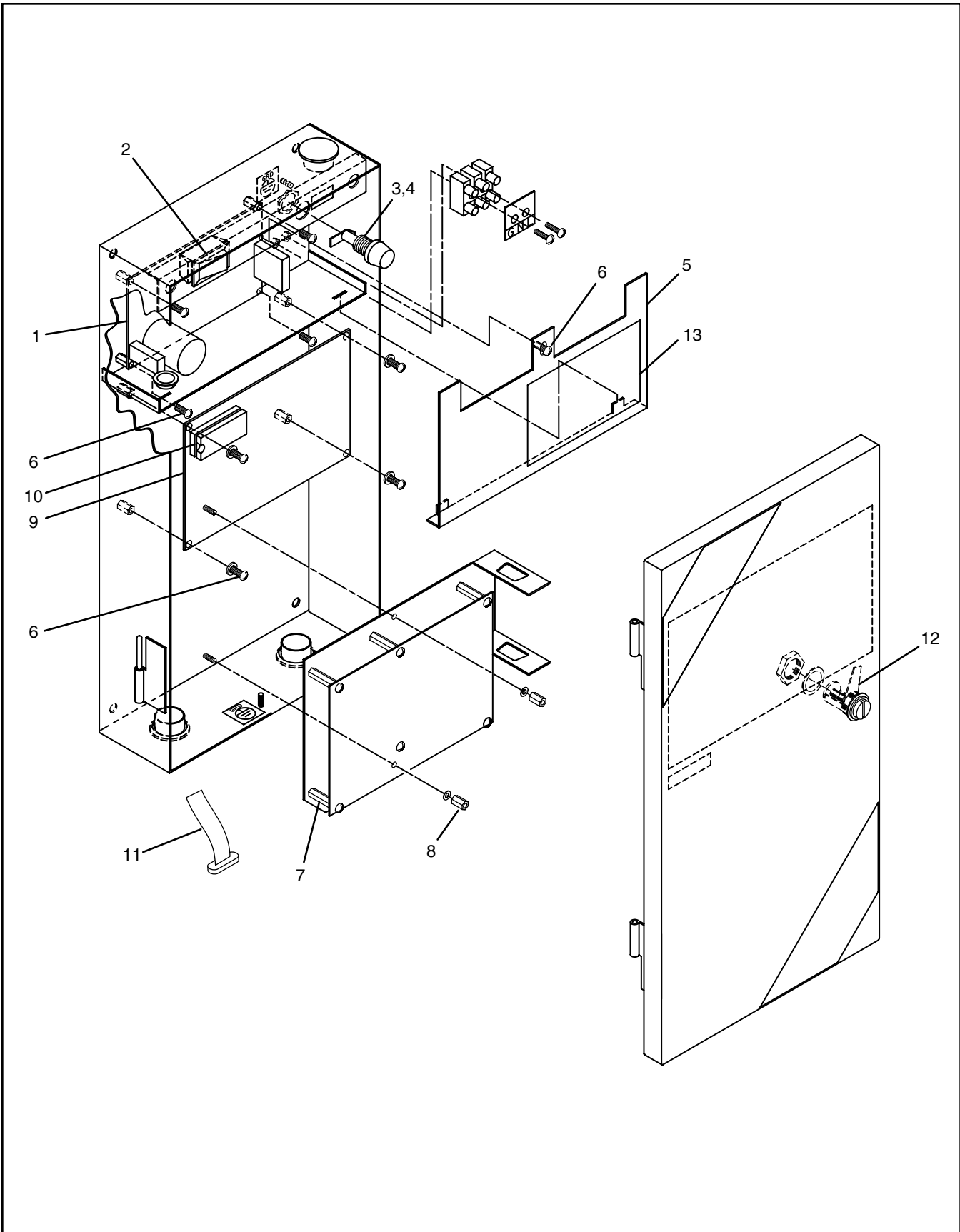


Figure 1-4. Data Bridge for BACnet

ITEM	QTY.	DESCRIPTION	PART NO.	NOTES
		Data Bridge for BACnet Includes the following items	371-03626-101	
1	1	Power Supply	031-02088-000	
2	1	Switch, Lighted Rocker, Red	024-30990-000	
3	1	Fuse Holder	PL	
4	1	Fuse, Time Delay, MDL-1, 1 Amp	PL	
5	1	Cover, Power	071-03626-305	
6	8	Screw, Pan Head, #6-32 x 3/8"	PL	
7	1	Single Board Computer	371-03626-341	
8	2	Fastener, #6-32	PL	
9	1	MicroGateway Circuit Board	031-02039-000	A
10	1	EPROM	031-02200-006	A
11	1	Cable Assy., Ribbon, MicroGateway to SBC	571-03626-221	
12	1	Latch Assembly	021-30710-000	
13	1	Decal, Warning, Electrocutation Hazard	035-03908-000	
<p>A <i>MicroGateway board does not include EPROM</i></p> <p>PL <i>Purchase Locally</i></p> <p><i>NOTE: For parts information regarding the Data Bridge MicroGateway which resides between the Data Bridge for BACnet and the chiller, refer to the Figures 1 and 2.</i></p>				

Figure 1-5. Gateway for LONWORKS

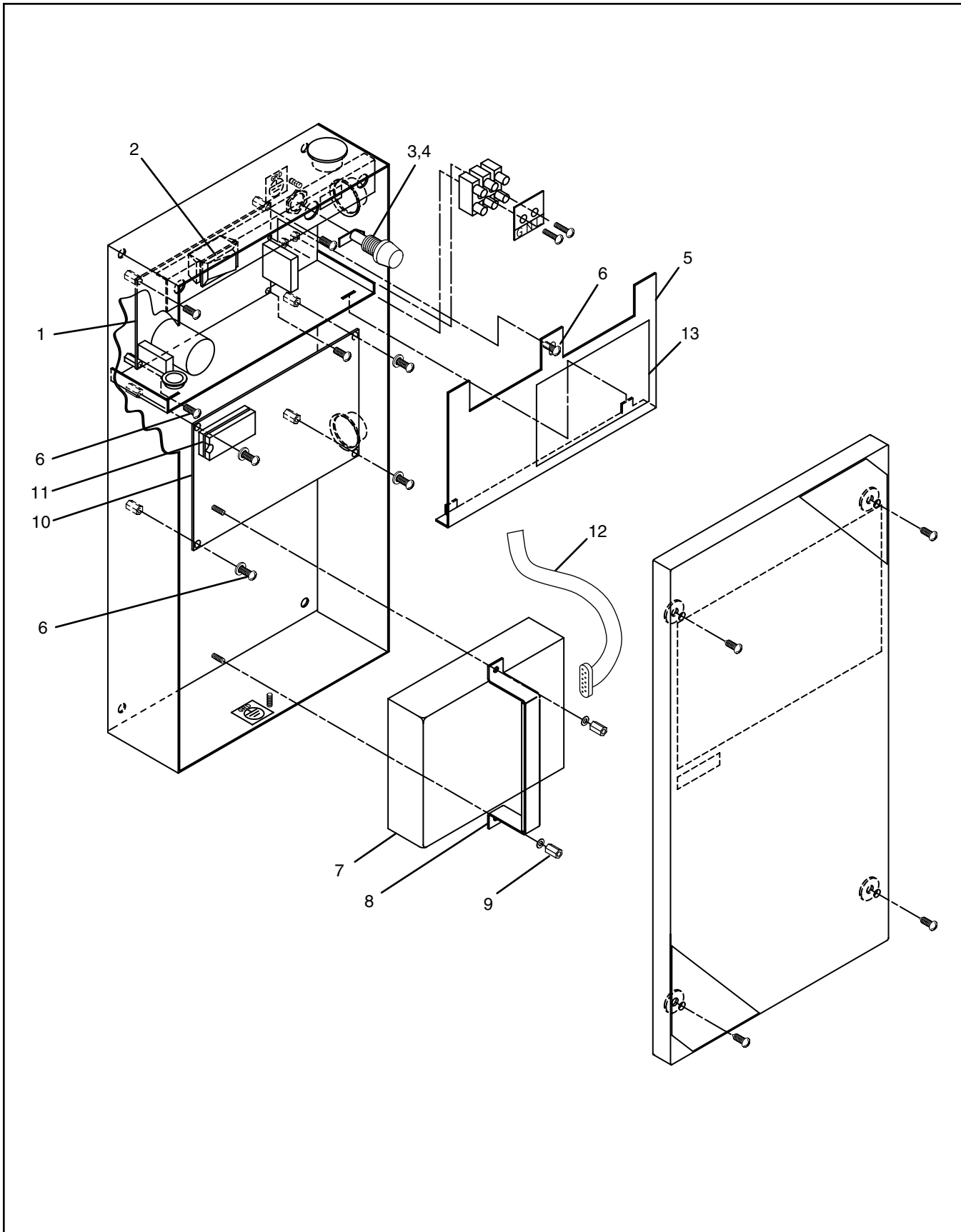


Figure 1-5. Gateway for LONWORKS

ITEM	QTY.	DESCRIPTION	PART NO.	NOTES
		Gateway for LONWORKS – OptiView Gateway for LONWORKS – Non-OptiView Includes the following items	371-03626-201 371-03626-202	
1	1	Power Supply	031-02088-000	
2	1	Switch, Lighted Rocker, Red	024-30990-000	
3	1	Fuse Holder	PL	
4	1	Fuse, Time Delay, MDL-1, 1 Amp	PL	
5	1	Cover, Power	071-03626-305	
6	8	Screw, Pan Head, #6-32 x 3/8"	PL	
7	1	SLTA-10A, OptiView	031-02090-001	
	1	SLTA-10A, Non-OptiView	031-02090-002	
8	1	Bracket	071-03626-320	
9	2	Fastener, #6-32	PL	
10	1	MicroGateway Circuit Board	031-02039-000	A
11	1	EPROM	031-02200-002	A
12	1	Cable Assy., Ribbon, MicroGateway to SLTA-10	571-03626-222	
13	1	Decal, Warning, Electrocutation Hazard	035-03908-000	
<p>A <i>MicroGateway board does not include EPROM</i> PL <i>Purchase Locally</i></p>				

Figure 1-6. CX-MicroGateway

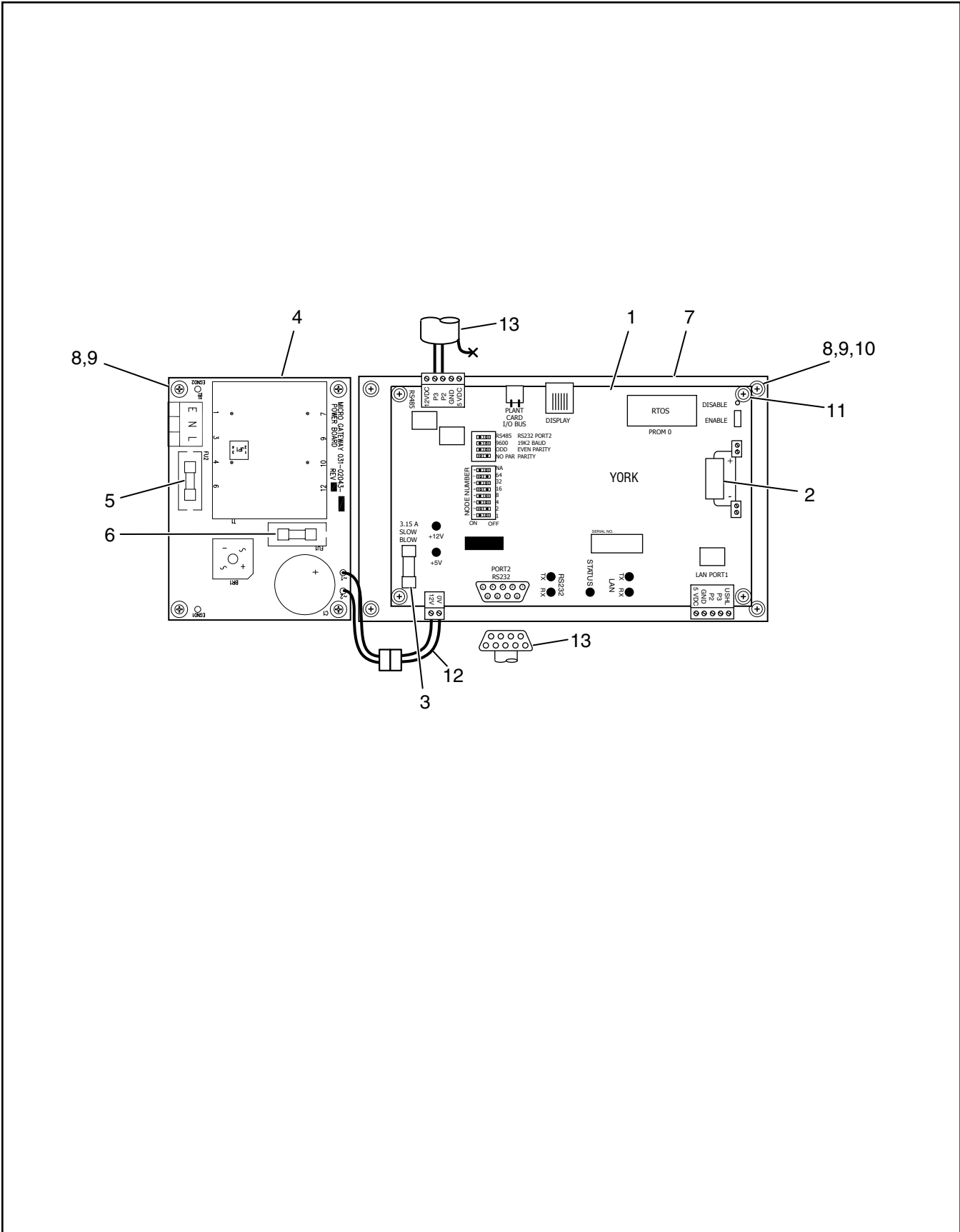


Figure 1-6. CX-MicroGateway

ITEM	QTY.	DESCRIPTION	PART NO.	NOTES
		CX-MicroGateway for YCAL w/2050 Board	371-04483-001	A
		CX-MicroGateway for YCAS 1 & 2 Compressor Systems	371-04483-002	A
		CX-MicroGateway for YCAS 3 & 4 Compressor Systems	371-04483-003	A
		CX-MicroGateway for YCUL (DAT)	371-04483-004	A
		CX-MicroGateway for YCRS and YCWS	371-04483-005	A
		CX-MicroGateway for YCAV	371-04483-006	A
		CX-MicroGateway for YD OptiView w/ Standard Starter	371-04483-051	B
		CX-MicroGateway for YK OptiView w/ Standard and SSS	371-04483-052	B
		CX-MicroGateway for YK OptiView w/ VSD	371-04483-053	B
		CX-MicroGateway for YST	371-04483-054	B
		CX-MicroGateway for YT OptiView w/ Standard and SSS	371-04483-055	B
		CX-MicroGateway for YT OptiView w/ VSD	371-04483-056	B
		CX-MicroGateway for YR and YS OptiView	371-04483-057	B
		Includes the following items		
1	1	Board, CX-MicroGateway, Includes Items 2 & 3	371-04483-200	C
2	1	Battery, Lithium	025-37640-000	
3	1	Fuse, 3.15 amp	025-37641-000	
4	1	Board, Power Supply, Includes Items 5 & 6	371-02043-001	A only
5	1	Fuse, 5 x 20 Fast-Blow, 160 mA, 250 VAC	PL	A only
6	1	Fuse, 5 x 20 Fast-Blow, 160 mA, 250 VAC	PL	A only
7	1	Plate, Mounting	071-04483-310	
8	8	Standoff	PL	A only
9	8	Screw, Self-tapping, #8 x 1-1/4"	PL	A only
	4	Screw, #8 x 3/8"	PL	B only
10	4	Washer, Internal Lock, #8	PL	B only
11	4	Screw, SEMS, M3 x 6	PL	
12	1	Plug, Power Supply	571-04483-214	A only
	1	Plug, Power Supply	571-04483-212	B only
13	AR	Cable, Communications, Shielded 3-core	PL	A only
	1	Cable, Communications, Shielded 3-core with DB-9	571-04483-211	B only
N.S.	AR	Wire, Ground, 18 gauge, with Ring Terminal	PL	
<p>A Uses York Talk 2 communication between the chiller and CX-MicroGateway</p> <p>B Uses York Talk 3 communication between the chiller and CX-MicroGateway</p> <p>C CX-MicroGateway replacement boards are not configured. Configurations can be downloaded from http://www.intranet.york.com/web0147/ and IcE used to load the application.</p> <p>PL Purchase Locally</p> <p>N.S. Not Shown on the Illustration</p>				

Figure 2-1. LINC Chiller

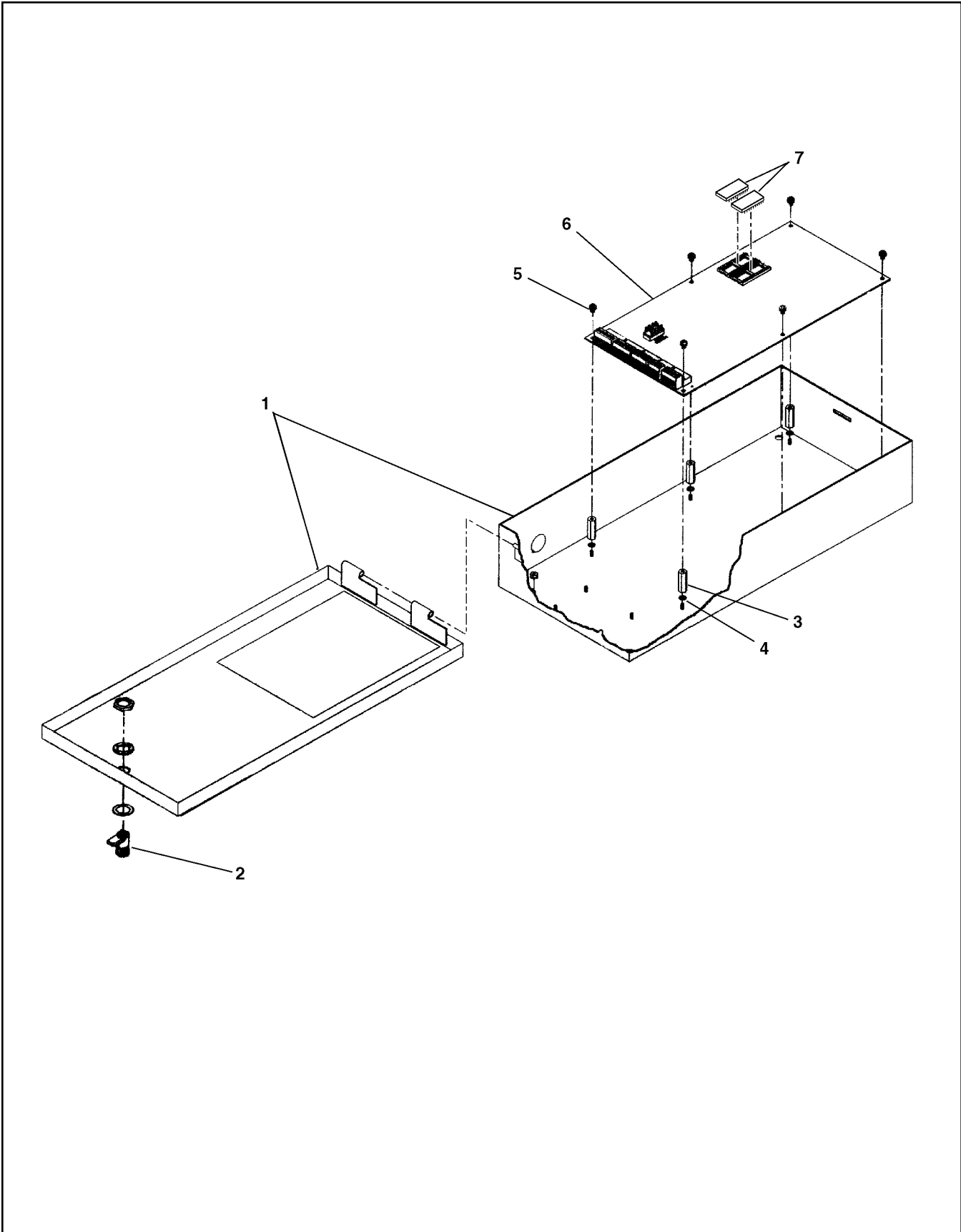


Figure 2-1. LINC Chiller

ITEM	QTY.	DESCRIPTION	PART NO.	NOTES
		LINC Chiller Refer to item 7 for top level number shown in parenthesis Includes the following items		
1	1	Enclosure w/Lid	371-01183-361	
2	1	Fastener Assy., Adjustable Pawl	021-17558-000	
3	4	Spacer, #6 x 32"	PL	
4	6	Washer, Internal Lock, #6	PL	
5	6	Screw/Washer Assy., #6-32 x 3/8"	PL	
6	1	Advanced Processor Card Rev. 76, 77 (031-01384-xxx)	031-01384-004	A
	1	Advanced Processor Card Rev. 6 (031-01089-xxx) Order EPROMs Separately	031-01089-005	A
7		EPROM Set Rev. 77 for YT Centrifugal (371-02086-400) EPROM Set Rev. 76 for YT Centrifugal (371-02086-417) EPROM Set Rev. 6 for YT Centrifugal (031-01585-001)	EPR-02086-400 EPR-02086-417 EPR-01585-001	B B B
		EPROM Set Rev. 77 for YK Super Chiller (371-02086-401) EPROM Set Rev. 76 for YK Super Chiller (371-02086-418) EPROM Set Rev. 6 for YK Super Chiller (031-01585-002)	EPR-02086-401 EPR-02086-418 EPR-01585-002	B B B
		EPROM Set Rev. 77 for YS Screw Chiller (371-02086-402) EPROM Set Rev. 76 for YS Screw Chiller (371-02086-419) EPROM Set Rev. 6 for YS Screw Chiller (031-01585-003)	EPR-02086-402 EPR-02086-419 EPR-01585-003	B B B
		EPROM Set Rev. 77 for LS Screw Chiller (371-02086-403) EPROM Set Rev. 76 for LS Screw Chiller (371-02086-420) EPROM Set Rev. 6 for LS Screw Chiller (031-01585-004)	EPR-02086-403 EPR-02086-420 EPR-01585-004	B B B
		EPROM Set Rev. 77 for A1, A3 Air-Cooled (371-02086-404) EPROM Set Rev. 76 for A1, A3 Air-Cooled (371-02086-421) EPROM Set Rev. 6 for A1, A3 Air-Cooled (031-01585-005)	EPR-02086-404 EPR-02086-421 EPR-01585-005	B B B
		EPROM Set Rev. 77 for B1, B3 Recip (371-02086-405) EPROM Set Rev. 76 for B1, B3 Recip (371-02086-422) EPROM Set Rev. 6 for B1, B3 Recip (031-01585-006)	EPR-02086-405 EPR-02086-422 EPR-01585-006	B B B
		EPROM Set Rev. 77 for C1, C3 Recip (371-02086-406) EPROM Set Rev. 76 for C1, C3 Recip (371-02086-423)	EPR-02086-406 EPR-02086-423	B B
		EPROM Set Rev. 77 for YP Paraflow (371-02086-407) EPROM Set Rev. 76 for YP Paraflow (371-02086-424) EPROM Set Rev. 6 for YP Paraflow (031-01332-002)	EPR-02086-407 EPR-02086-424 EPR-01585-008	B B B
A		<i>Refer to number on board (shown in parenthesis) for correct identification. EPROMS are not included with replacement boards.</i>		
B		<i>EPROMs must be ordered in sets. Refer to the Appendix for a cross-reference for EPROMs. Note that, if EPROMs were changed from original order, EPROM part number will not match the number on the enclosure shown in parenthesis.</i>		
PL		<i>Purchase Locally</i>		
NSS		<i>Not Sold Separately</i>		

Figure 2-1. LINC Chiller (Continued)

ITEM	QTY.	DESCRIPTION	PART NO.	NOTES
		LINC Chiller (continued) Refer to item 7 for top level number shown in parenthesis Includes the following items		
7		EPROM Set Rev. 77 for YI Paraflow (371-02086-408) EPROM Set Rev. 76 for YI Paraflow (371-02086-425) EPROM Set Rev. 6 for YI Paraflow (031-01417-001) EPROM Set Rev. 77 for RT Rooftop (371-02086-409) EPROM Set Rev. 76 for RT Rooftop (371-02086-426) EPROM Set Rev. 6 for RT Rooftop (371-01458-000) EPROM Set Rev. 77 for HX Heat Pump (371-02086-410) EPROM Set Rev. 76 for HX Heat Pump (371-02086-427) EPROM Set Rev. 77 for H1, H3 Heat Pump (371-02086-411) EPROM Set Rev. 76 for H1, H3 Heat Pump (371-02086-428) EPROM Set Rev. 77 for H1 Heat Pump (371-02086-412) EPROM Set Rev. 76 for H1 Heat Pump (371-02086-429) EPROM Set Rev. 77 for B1 Basildon Recip (371-02086-413) EPROM Set Rev. 76 for B1 Basildon Recip (371-02086-430) EPROM Set Rev. 77 for A1 Air-Cooled (371-02086-414) EPROM Set Rev. 76 for A1 Air-Cooled (371-02086-431) EPROM Set Rev. 77 for C1 US Recip (371-02086-415) EPROM Set Rev. 76 for C1 US Recip (371-02086-432) EPROM Set Rev. 77 for YG GED Chiller (371-02086-416) EPROM Set Rev. 76 for YG GED Chiller (371-02086-433)	EPR-02086-408 EPR-02086-425 EPR-01585-009 EPR-02086-409 EPR-02086-426 EPR-01585-010 EPR-02086-410 EPR-02086-427 EPR-02086-411 EPR-02086-428 EPR-02086-412 EPR-02086-429 EPR-02086-413 EPR-02086-430 EPR-02086-414 EPR-02086-431 EPR-02086-415 EPR-02086-432 EPR-02086-416 EPR-02086-433	B B B B B B B B B B B B B B
	B PL NSS	<i>EPROMs must be ordered in sets. Refer to the Appendix for a cross-reference for EPROMs. Note that, if EPROMs were changed from original order, EPROM part number will not match the number on the enclosure shown in parenthesis.</i> <i>Purchase Locally</i> <i>Not Sold Separately</i>		

Figure 2-2. eco² Gateway

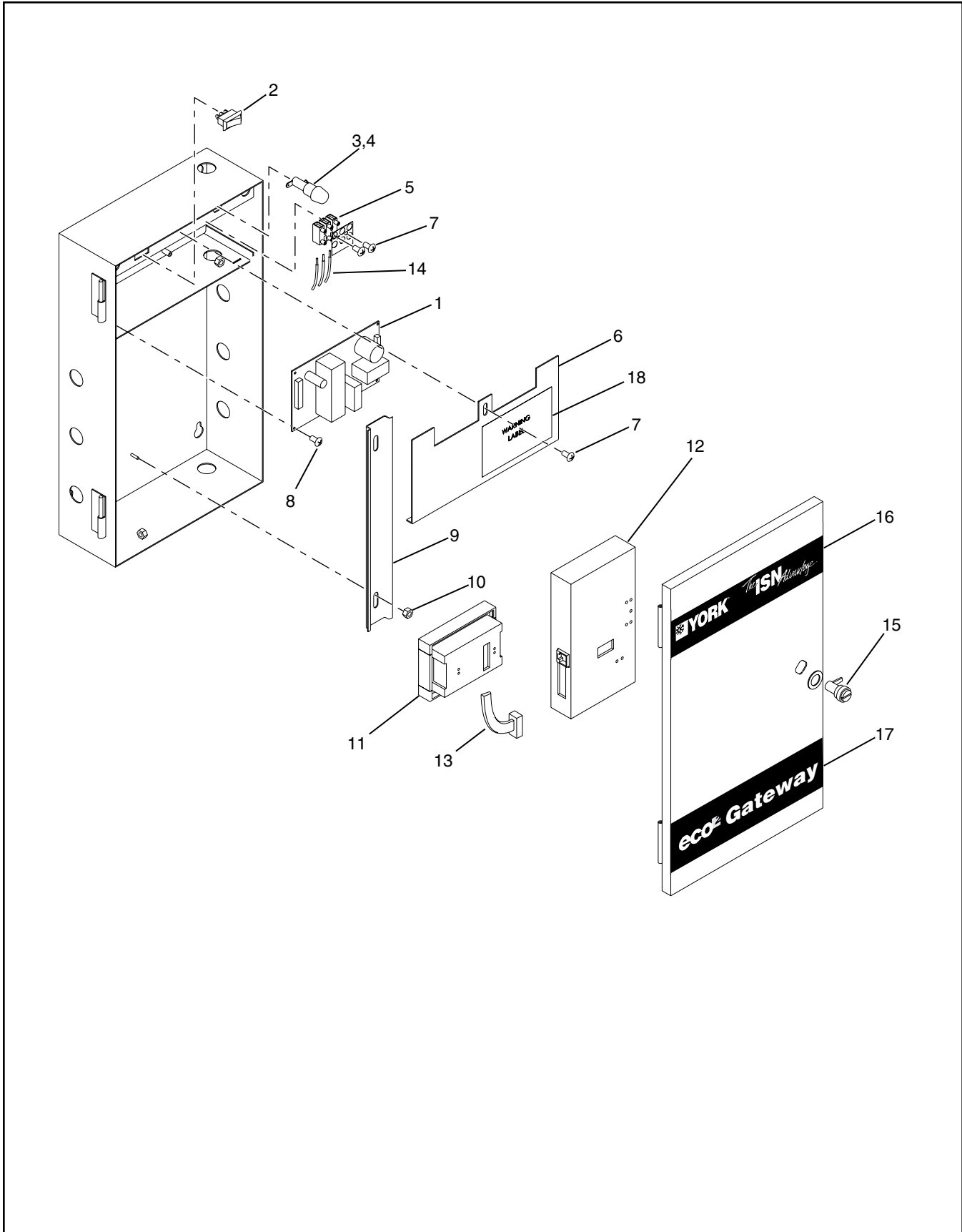


Figure 2-2. eco² Gateway

ITEM	QTY.	DESCRIPTION	PART NO.	NOTES
		eco ² Gateway Includes the following items	371-04132-000	
1	1	Power Supply Board, Auto-Switching	031-02443-000	
2	1	Switch, Lighted Rocker, Red	024-30990-000	
3	1	Fuse Holder	PL	
4	1	Fuse, Time Delay, MDL-1, 1 Amp	PL	
5	1	Block, Terminal, 3 Pole	025-38103-000	
6	1	Cover, Power	071-03626-305	
7	3	Screw/Washer, SEMS, M3 x 16 mm	021-31135-000	
8	4	Screw/Washer, SEMS, M3 x 6 mm	021-31136-000	
9	1	DIN Rail	071-04128-000	
10	2	Nut, KEPS, M5	021-31138-000	
11	1	Universal LINC232 UCS Assy.	371-03785-002	
12	1	Processor Module, Includes the following 3 items:	371-03636-000	
NS	1	Battery, Lithium	025-37640-000	
NS	1	Fuse, 3.15 mA	025-37641-000	
NS	AR	Cable, I/O, 39 in. (1 m)	371-03657-000	
13	1	Harness, Control	571-04154-212	
14	1	Harness, Power	571-04154-211	
15	1	Latch Assy., Door	021-17558-000	
16	1	Decal, The ISN Advantage	035-18673-000	
17	1	Decal, eco ² Gateway	035-18684-000	
18	1	Decal, Warning, Electrocution Hazard	035-03908-000	
<p>PL <i>Purchase Locally</i></p>				

Figure 2-3. TDCE and CX-TDCE

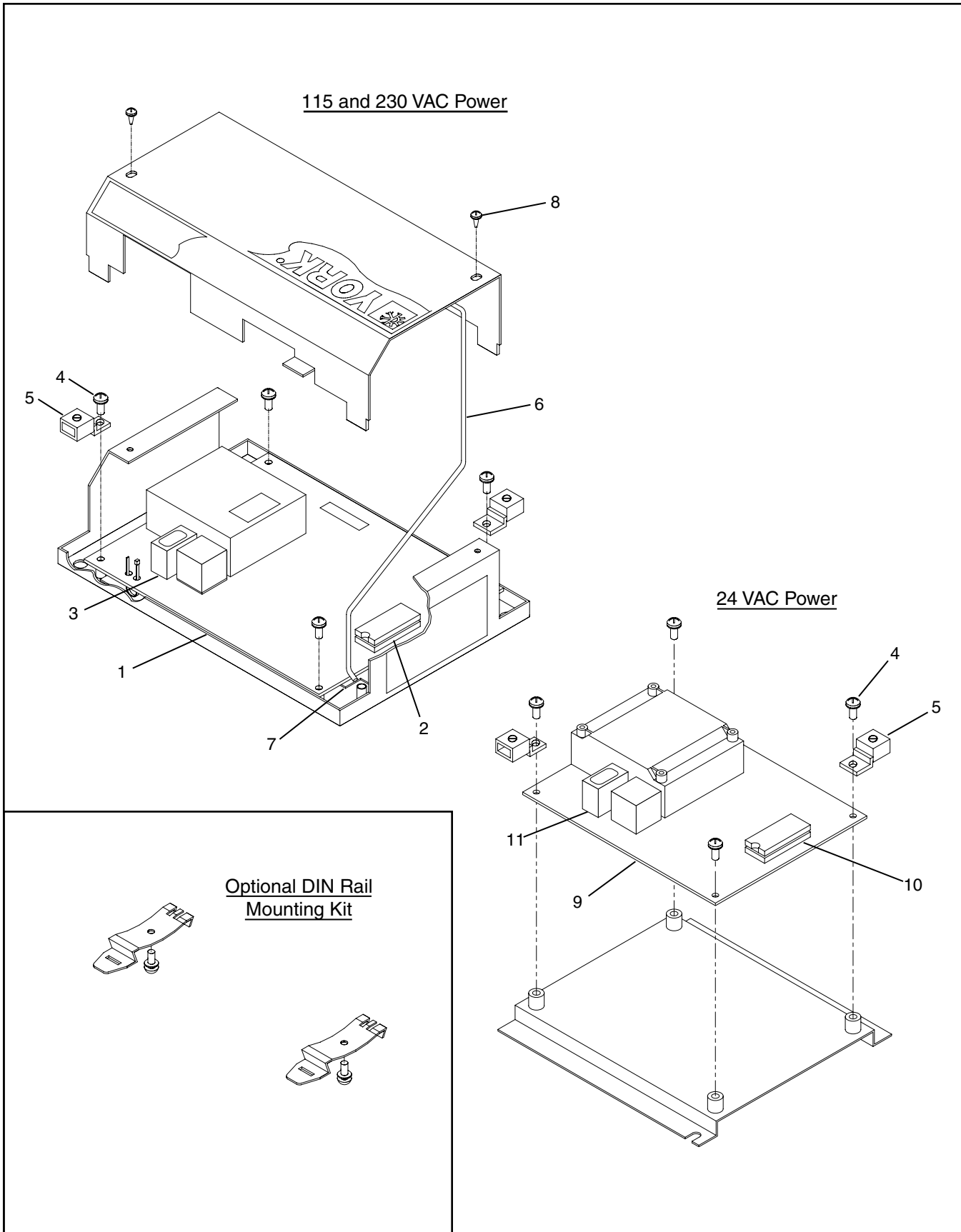


Figure 2-3. TDCE and CX-TDCE

ITEM	QTY.	DESCRIPTION	PART NO.	NOTES
		TDC8E 24 VAC, Carribbean Blue TDC8E 115 VAC, Carribbean Blue TDC8E 230 VAC, Carribbean Blue TDC9E 24 VAC, Carribbean Blue TDC9E 115 VAC, Carribbean Blue TDC9E 230 VAC, Carribbean Blue CX-TDC8E 24 VAC, Gray CX-TDC8E 115 VAC, Gray CX-TDC8E 230 VAC, Gray CX-TDC9E 24 VAC, Gray CX-TDC9E 115 VAC, Gray CX-TDC9E 230 VAC, Gray Includes the following items	371-04135-001 371-04135-002 371-04135-003 371-04136-001 371-04136-002 371-04136-003 371-04470-001 371-04470-002 371-04470-003 371-04471-001 371-04471-002 371-04471-003	
1	1	Processor Board, 115 or 230 VAC Input, Includes Items 2, 3	NSS	A
2	1	PROM	CF	B
3	1	Fuse, Slow-Blow, 500 mA	PL	
4	4	Screw/Washer, M3 x 8	PL	
5	2	Lug, Ground/Earth	025-39480-000	
6	1	Cable, Ground/Earth	PL	
7	1	Barrier, Nomex	NSS	
8	2	Screw, Self-Tapping, M4 x 6	PL	
9	1	Power Supply Board, 24 VAC Input, Includes Items 10, 11	NSS	A
10	1	PROM	CF	B
11	1	Fuse, Slow-Blow, 1 Amp	PL	
	AR	Optional Kit, DIN Rail Mounting 115 or 230 versions only	071-04125-000	
<p>A If the board requires replacement, remove the PROM and reinstall in replacement TDCE</p> <p>B Verify the correct software revision level imprinted on the EPROM.</p> <p>NSS Not Sold Separately</p> <p>CF Consult Factory</p> <p>PL Purchase Locally</p>				

Figure 2-4. FlexSys Controllers

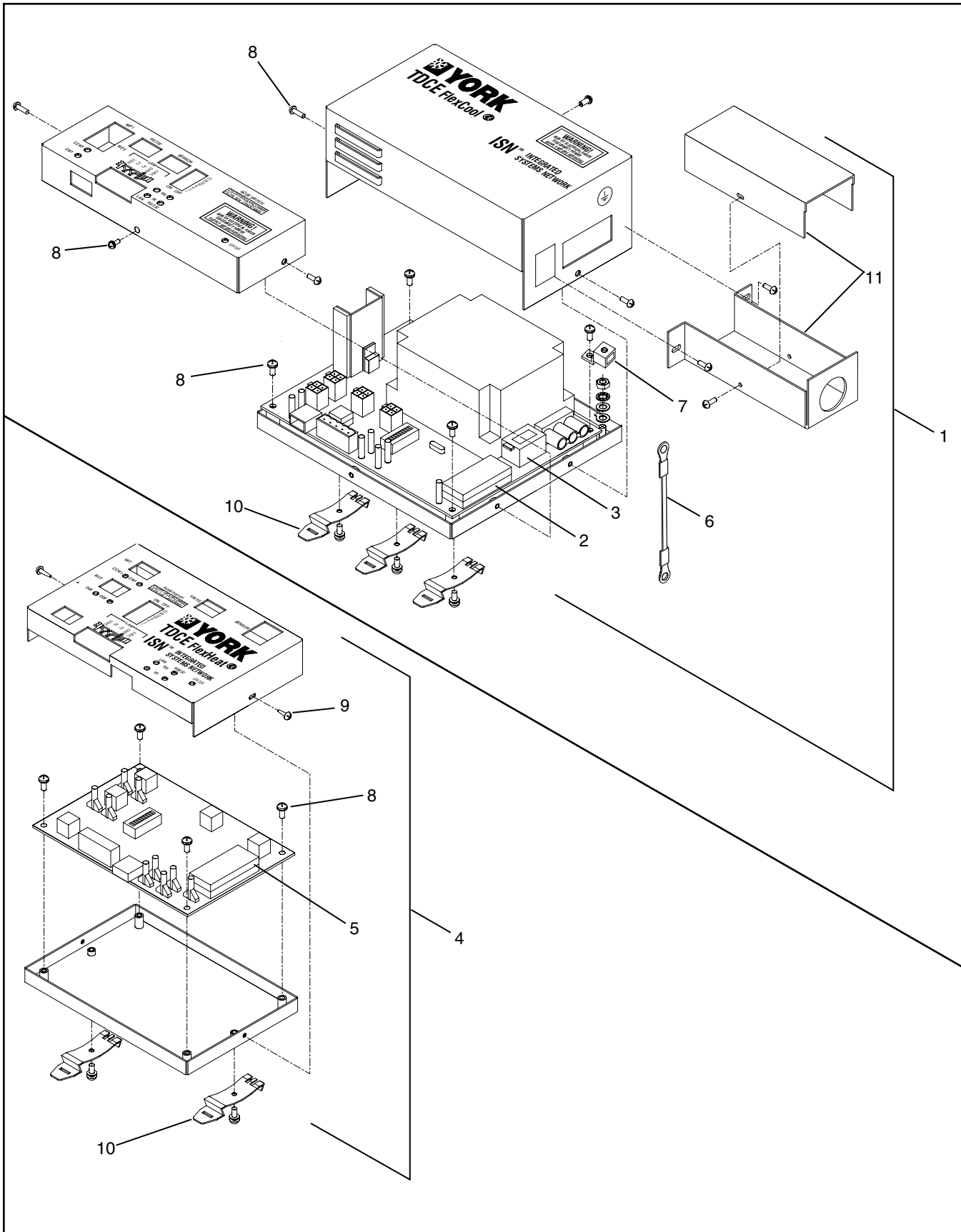


Figure 2-4. FlexSys Controllers

ITEM	QTY.	DESCRIPTION	PART NO.	NOTES
1	1 1 1 1	FlexCool Controller, 115 VAC Input FlexCool Controller, 230 VAC Input CX-FlexCool Controller, 115 VAC Input CX-FlexCool Controller, 230 VAC Input Item 1 includes Items 2-3, 5-7, 9-10	371-03772-001 371-03772-002 371-04472-001 371-04472-002	A A
2	1	PROM	CF	B
3	1	Fuse, 500 mA, Slow-Blow	PL	
4	1 1	FlexHeat Controller, 24 VAC Input CX-FlexHeat Controller, 24 VAC Input Include Items 5, 8-10	371-03773-001 371-04473-001	
5	1	PROM	CF	B
6	1	Cable, Ground/Earth	PL	
7	1	Lug, Ground/Earth	025-39480-000	
8	2	Screw/Washer, M3 x 8	PL	
9	1	Screw, Self-Tapping, M4 x 8	PL	
10	3/2	DIN Rail Clip	071-04125-000	C
11	AR AR	Conduit Box, FlexCool, Carribean Blue Conduit Box, CX-FlexCool, Gray	371-04184-000 371-04490-000	
	A B C CF PL	<i>If the board requires replacement, remove the PROM and reinstall in replacement controller</i> <i>Verify the correct software revision level imprinted on the PROM.</i> <i>DIN Rail Clips sold only as a kit with 2 clips and attaching hardware</i> <i>Consult Factory</i> <i>Purchase Locally</i>		

Figure 2-5. TDCVAV

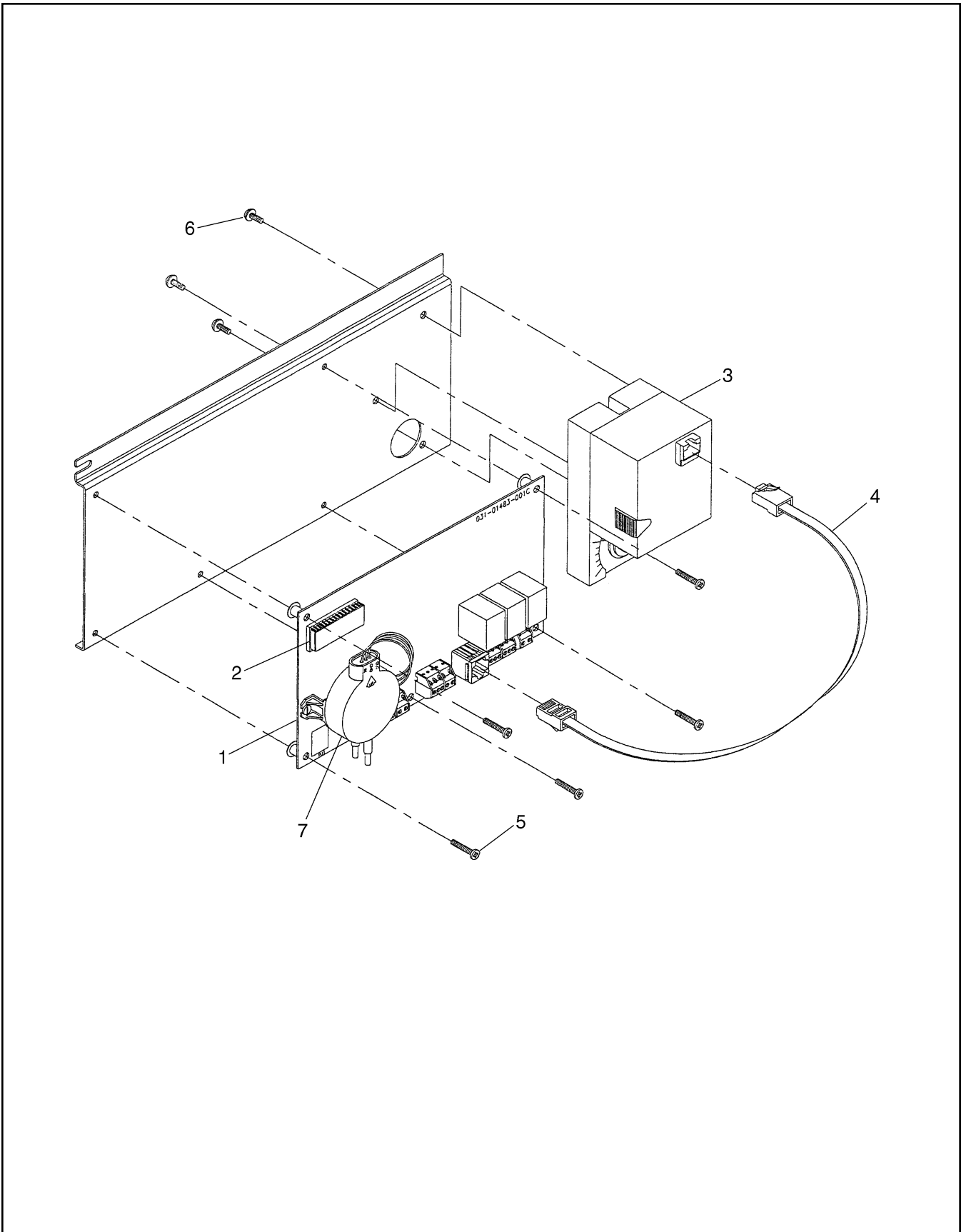


Figure 2-5. TDCVAV

ITEM	QTY.	DESCRIPTION	PART NO.	NOTES
		TDC, Rev. 7.6 with Airflow Sensor TDC, Rev. 7.6 without Airflow Sensor TDC, Rev. 7.7 with Airflow Sensor TDC, Rev. 7.7 without Airflow Sensor Includes the following items:	371-02045-100 371-02045-101 371-02045-102 371-02045-103	
1	1	Board Assembly, with Airflow Sensor Includes Item 7	031-01483-001	A
	1	Board Assembly, without Airflow Sensor	031-01483-002	B
2	1	EPROM, Blank w/No Application Programs, Rev. 6 EPROM, Blank w/No Application Programs, Rev. 7.6 EPROM, Blank w/No Application Programs, Rev. 7.7 EPROM, Parallel fan w/ 3 steps of heat, Rev. 6 EPROM, Single duct w/ 3 steps of heat, Rev. 6 EPROM, Single duct cooling only, Rev. 6 EPROM, Series fan w/ 3 steps of heat, Rev. 6 EPROM, Single duct w/ heating-cooling changeover, Rev. 6 EPROM, w/All Application Programs (Mega Chip), Rev. 7.6 EPROM, w/All Application Programs (Mega Chip), Rev. 7.7	031-01577-100 031-01473-100 031-01473-012 031-01577-001 031-01577-002 031-01577-003 031-01577-004 031-01577-005 031-01577-006 031-01577-007	C C C C C C C C C C C
3	1	Motor	025-32580-000	
4	1	Cable, RJ-45 Connectors	571-02045-001	
5	5	Screw, Panhead, #6-32 x 3/4"	PL	
6	3	Screw, Panhead, #6-32 x 3/8"	PL	
7	1	Sensor, Airflow	025-31383-101	D
<p>A Includes vacuum sensor and no PJ1 connector. B Includes PJ1 connector and no vacuum sensor. C EPROMs must be ordered separately. D Airflow sensor for remote mounting. Use with 031-01483-002 only. PL Purchase Locally</p>				

Figure 2-6. TDCEVAV and CX-VAV

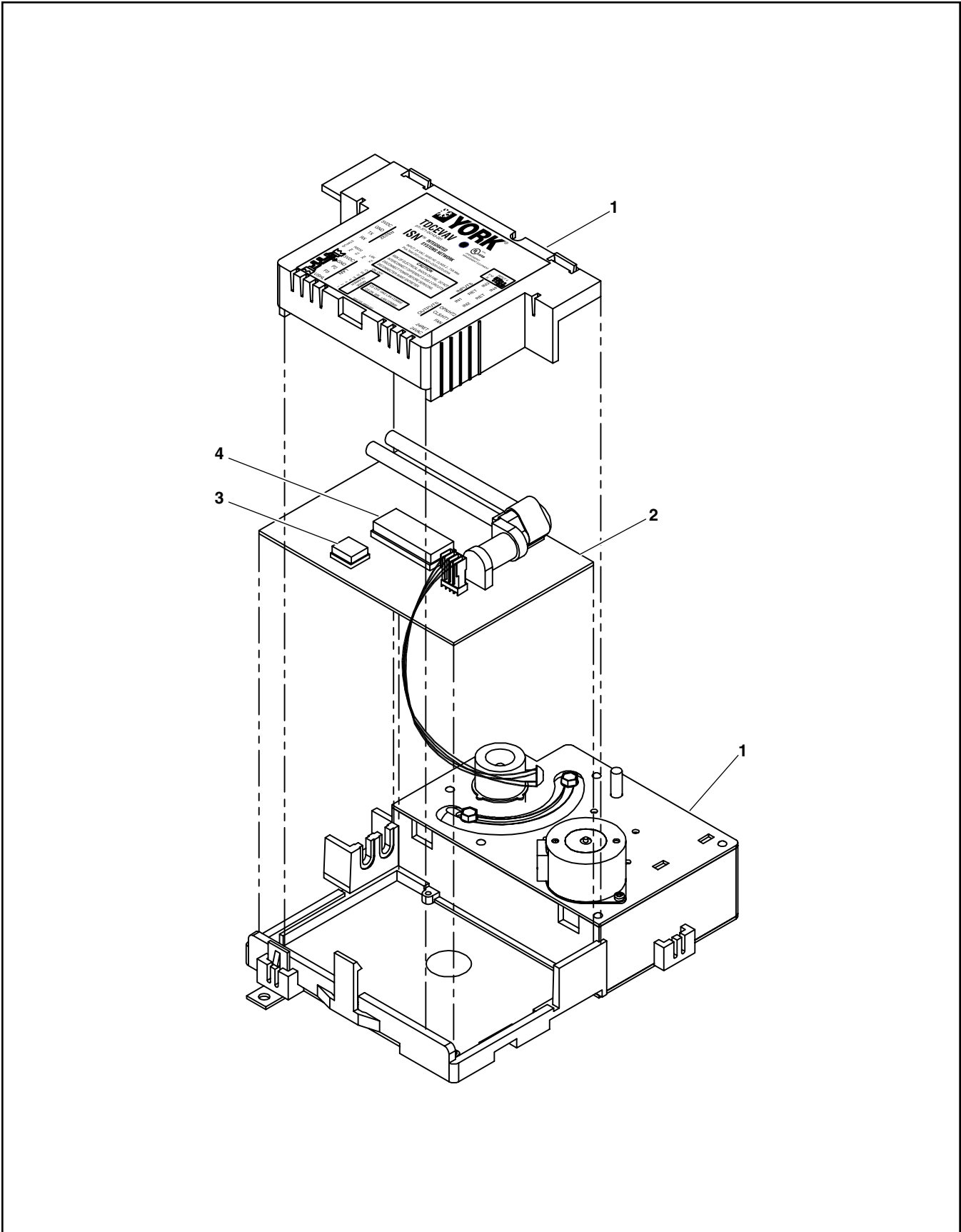


Figure 2-6. TDCEVAV and CX-VAV

ITEM	QTY.	DESCRIPTION	PART NO.	NOTES
		TDCEVAV Controller CX-VAV Controller Includes the following items	371-03772-001 371-04474-001	
1	1	Enclosure, Includes cover and actuator	071-04143-300	
2	1	Board, Control Includes Item 3	NSS	
3	1	Driver, RS485	LTC485CN8	
4	1	EPROM	NSS	
N.S.	AR	Adapter, Shaft, for actuator shafts less than 3/8 in dia.	023-21795-000	

NSS *Not Sold Separately*
 N.S. *Not Shown on the Illustration*
 A *The Control Board and EPROM require synchronization with the Flash Memory and are not sold separately.*

Figure 3-1. EDC and SDC Controller

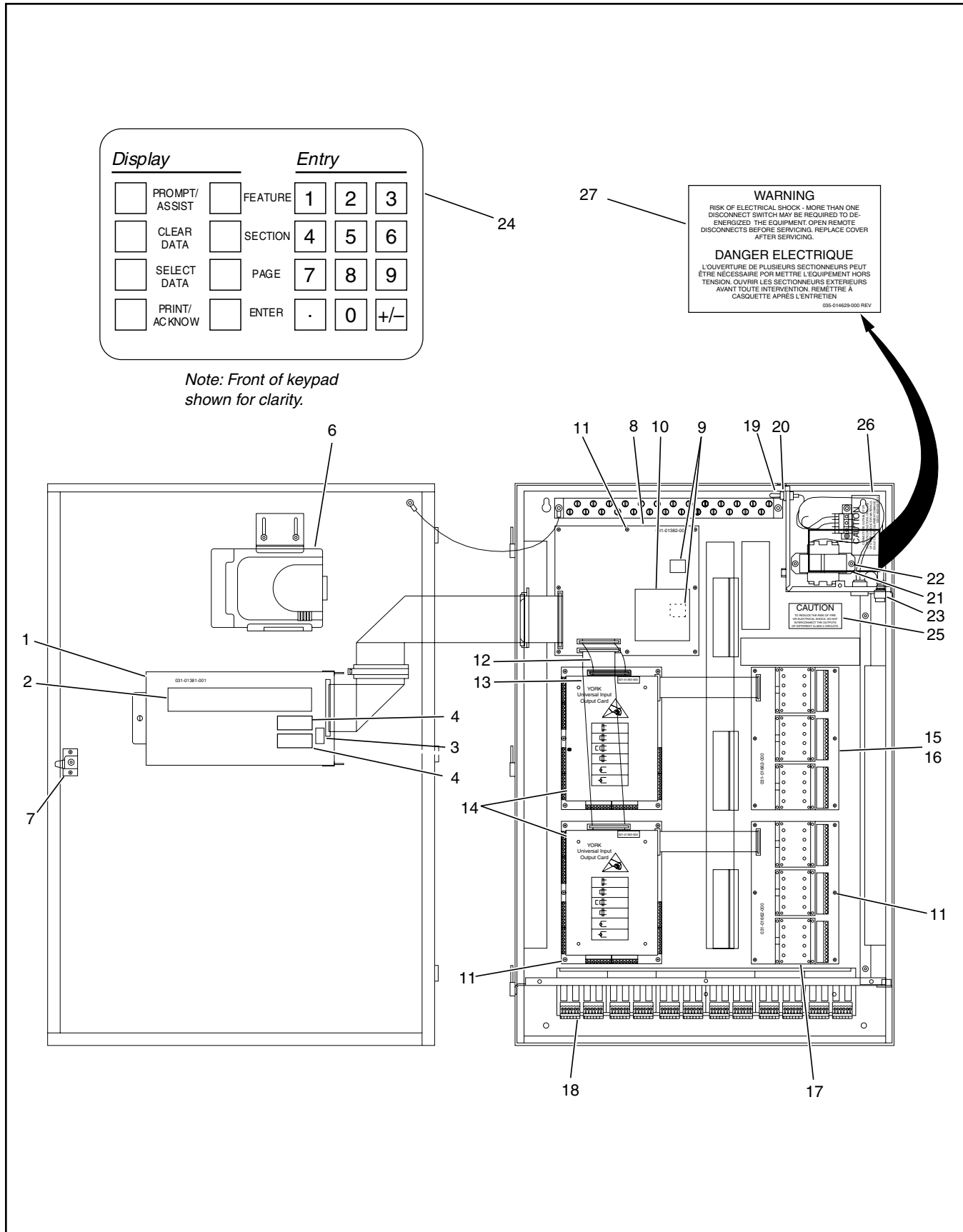


Figure 3-1. EDC and SDC Controller

ITEM	QTY.	DESCRIPTION	PART NO.	NOTES
		EDC-36 w/FOM2 EDC-36 w/FOM11 EDC-72 w/FOM2 EDC-72 w/FOM11 EDC-36 w/FOM11, 1HOA Module & 1EA Relay EDC-36 w/FOM11, 2HOA Modules & 2EA Relays EDC-36 w/FOM11, 3HOA Modules & 3EA Relays EDC-72 w/FOM11, 4HOA Modules & 4EA Relays EDC-72 w/FOM11, 5HOA Modules & 5EA Relays EDC-72 w/FOM11, 6HOA Modules & 6EA Relays SDC (O.M. Chiller Controller) Includes the following items	371-01499-101 371-01499-102 371-01499-103 371-01499-104 371-01499-130 371-01499-131 371-01499-132 371-01499-133 371-01499-133 371-01499-134 371-01499-135 371-02097-100	
1	1 1	Integrated Processor Card (IPC), (031-01381-xxx) Integrated Processor Card (IPC), (031-01059-xxx) Includes Items 2 and 3, Order EPROMs Separately	031-01381-000 031-01059-000	A A
2	1 1	Display, Use with 031-01381-xxx Board Display, Use with 031-01059-xxx Board	031-01716-000 NSS	
3	1	Battery	031-01722-700	
4	1 1 1 1	EPROM Set, Rev. 77 EPROM Set, Rev. 76 EPROM Set, Rev. 6 EPROM Set, Rev. 4	EPR-EDC-R77 EPR-EDC-R76 EPR-EDC-R6 EPR-EDC-R4	B B B B
6	1	Modem	CF	Optional
7	1	Lock and Key Set	CF	
8	1 1	Power Supply Terminal Card (PSTC) Power Supply Terminal Card (PSTC) Includes Item 9	031-01382-000 031-01060-000	A A
9	2	Driver, RS485	LTC485CN8	
10	1	York Talk Module, Use with PSTC 031-01060-000 only	031-01063-000	
11	AR	Screw, SEMS #6-32 x 3/8"	PL	
12	1 1	Cable, Ribbon, 3.00", Use with PSTC 031-01382-000 only Cable, Ribbon, 3.00", Use with PSTC 031-01060-000 only	031-01068-003 031-01068-001	
13	1 1	Cable, Ribbon, 14.50", Use with PSTC 031-01382-000 only Cable, Ribbon, 14.50", Use with PSTC 031-01060-000 only	031-01068-004 031-01068-002	
14	AR AR	Universal Input/Output Card (UIOC) Universal Input/Output Card (UIOC)	031-01383-000 031-01061-000	A A

BE SURE TO VERIFY CORRECT SOFTWARE VERSION.

- A *Refer to number on board (shown in parenthesis) for correct identification.*
- B *EPROMs must be ordered in sets.*
- AR *As Required. Quantities vary depending on model.*
- CF *Consult Factory*
- PL *Purchase Locally*
- NSS *Not Sold Separately*

Figure 3-1. EDC and SDC Controller (Continued)

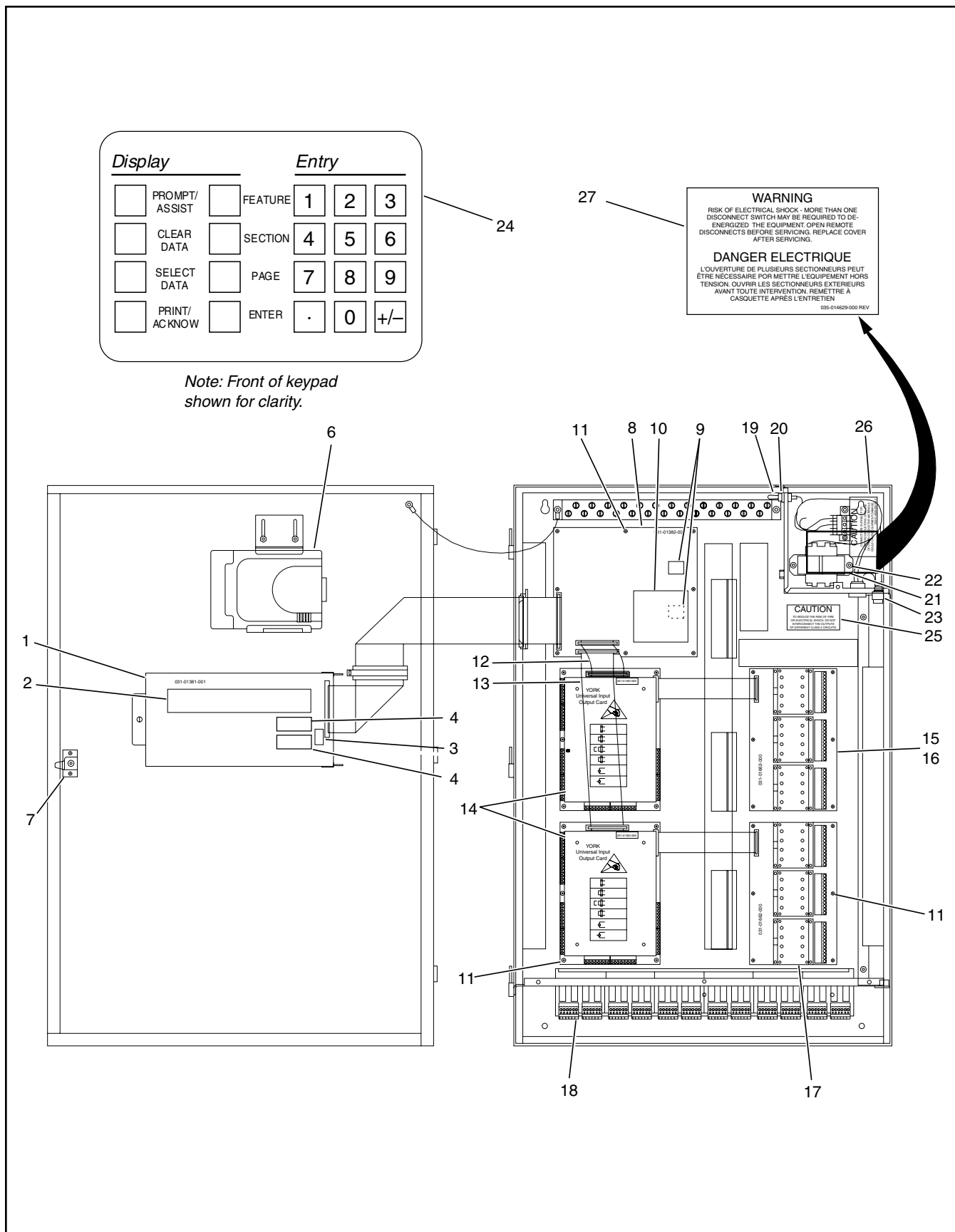


Figure 3-1. EDC and SDC Controller (Continued)

ITEM	QTY.	DESCRIPTION	PART NO.	NOTES
		EDC-36 w/FOM2 EDC-36 w/FOM11 EDC-72 w/FOM2 EDC-72 w/FOM11 EDC-36 w/FOM11, 1HOA Module & 1EA Relay EDC-36 w/FOM11, 2HOA Modules & 2EA Relays EDC-36 w/FOM11, 3HOA Modules & 3EA Relays EDC-72 w/FOM11, 4HOA Modules & 4EA Relays EDC-72 w/FOM11, 5HOA Modules & 5EA Relays EDC-72 w/FOM11, 6HOA Modules & 6EA Relays SDC (O.M. Chiller Controller) Includes the following items	371-01499-101 371-01499-102 371-01499-103 371-01499-104 371-01499-130 371-01499-131 371-01499-132 371-01499-133 371-01499-133 371-01499-134 371-01499-135 371-02097-100	
15	AR	Field Output Module 2 (FOM2)	031-01062-000	
16	AR	Field Output Module 11 (FOM11)	031-01662-000	
17	AR	HOA Module	371-01762-001	
18	AR	Relay Module w/ Barrier	371-01765-001	
19	1	Switch, Toggle	024-11736-000	
20	1	Lamp, Indicator	025-31778-000	
21	1	Transformer, 75 VA	025-27911-000	
22	AR	Nut, KEPS, #8-32	PL	
23	1	Fuse, 1 amp	025-09662-000	
24	1	Keypad	024-25289-000	
25	1	Decal, Warning	035-08693-000	
26	1	Decal, Warning	035-05548-000	
27	1	Decal, Warning	035-14629-000	
		AUXILIARY PRODUCTS AND EXPANSION CARDS Kit, Modem and Modem Mounting FOM 3-A (Four Relays, One Board/No Box) FOM 3-B (Eight Relays, Two Boards in Box) LAN Terminator Module, RS485 Relay Control Module Control Ground Strip Snaptrack, 12" for FOM4 or FOM5 Mounting Cover, Snaptrack, 12"	031-01668-000 031-01078-000 031-01183-105 031-01488-000 371-01765-001 025-32505-000 371-01183-371 071-01183-370	
BE SURE TO VERIFY CORRECT SOFTWARE VERSION.				
A	<i>Refer to number on board (shown in parenthesis) for correct identification.</i>			
B	<i>EPROMs must be ordered in sets.</i>			
AR	<i>As Required. Quantities vary depending on model.</i>			
CF	<i>Consult Factory</i>			
PL	<i>Purchase Locally</i>			
NSS	<i>Not Sold Separately</i>			

Figure 3-2. LDC and CSCC Controller

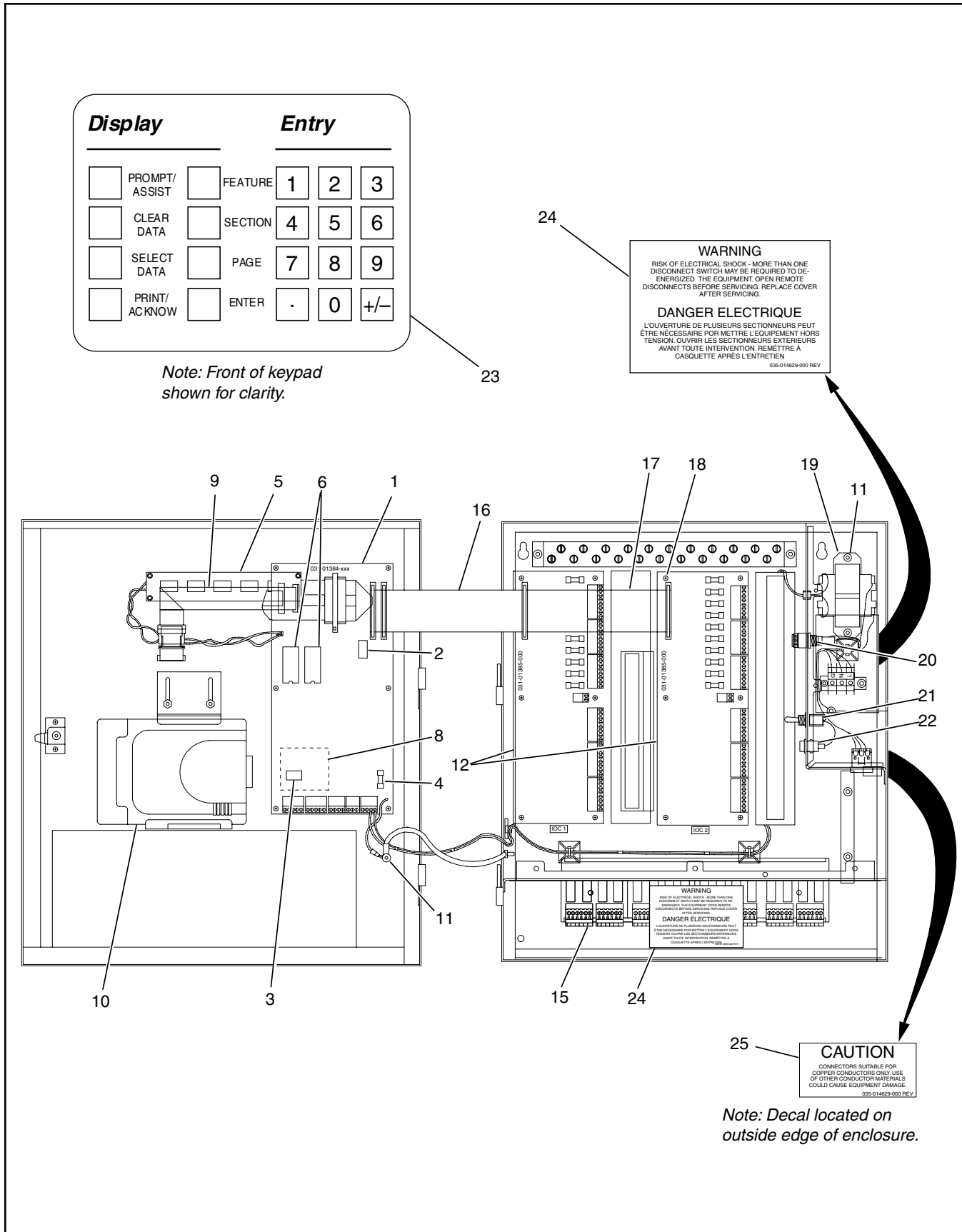


Figure 3-2. LDC and CSCC Controller

ITEM	QTY.	DESCRIPTION	PART NO.	NOTES
		LDC-17 Controller LDC-17 Controller with 1 Relay Module LDC-17 Controller with 2 Relay Modules LDC-34 Controller LDC-34 Controller with 3 Relay Modules LDC-34 Controller with 4 Relay Modules Includes the following Items	371-01499-106 371-01499-107 371-01499-108 371-01499-109 371-01499-136 371-01499-137	
1	1	Advanced Processor Card (APC), (031-01384-xxx)	031-01384-000	A
	1	Advanced Processor Card (APC), (031-01089-xxx) Includes Items 2 thru 4, Order EPROMs Separately	031-01089-007	A
2	1	Battery	031-01722-700	
3	1	Driver, RS485	LTC485CN8	
4	1	Fuse, 3.15 A Slow-Blow, Rev. 6 Only	PL	
5	1	Display w/ 10.00 in. Cable, Use with LDC & Curbmaster	031-01336-001	
	1	Display w/ 11.25 in. Cable, Use with CSCC	031-01336-000	
6	1	EPROM Set, Rev. 77	EPR-LDC-R77	B
	1	EPROM Set, Rev. 76	EPR-LDC-R76	B
	1	EPROM Set, Rev. 6	EPR-LDC-R6	B
	1	EPROM Set, Rev. 4	EPR-LDC-R4	B
8	1	York Talk Module, Use with 031-01089-xxx only, Includes Item 9	031-01063-000	
9	1	Cable, Display Ribbon	031-01338-001	
10	1	Modem	CF	Optional
11	AR	Nut, KEPS, #8-32	PL	
12	AR	Input Output Card (IOC)	031-01385-000	A
	AR	Input Output Card (IOC) Includes Items 13 & 14	031-01090-000	A
13	1	Fuse, 500 mA	PL	
14	8	Fuse, 160 mA	PL	

BE SURE TO VERIFY CORRECT SOFTWARE VERSION.

- A *Refer to number on board (shown in parenthesis) for correct identification.*
- B *EPROMs must be ordered in sets.*
- AR *As Required. Quantities vary depending on model.*
- CF *Consult Factory*
- PL *Purchase Locally*
- N.S. *Not Shown on the Illustration*
- NSS *Not Sold Separately*

Figure 3-2. LDC and CSCC Controller (Continued)

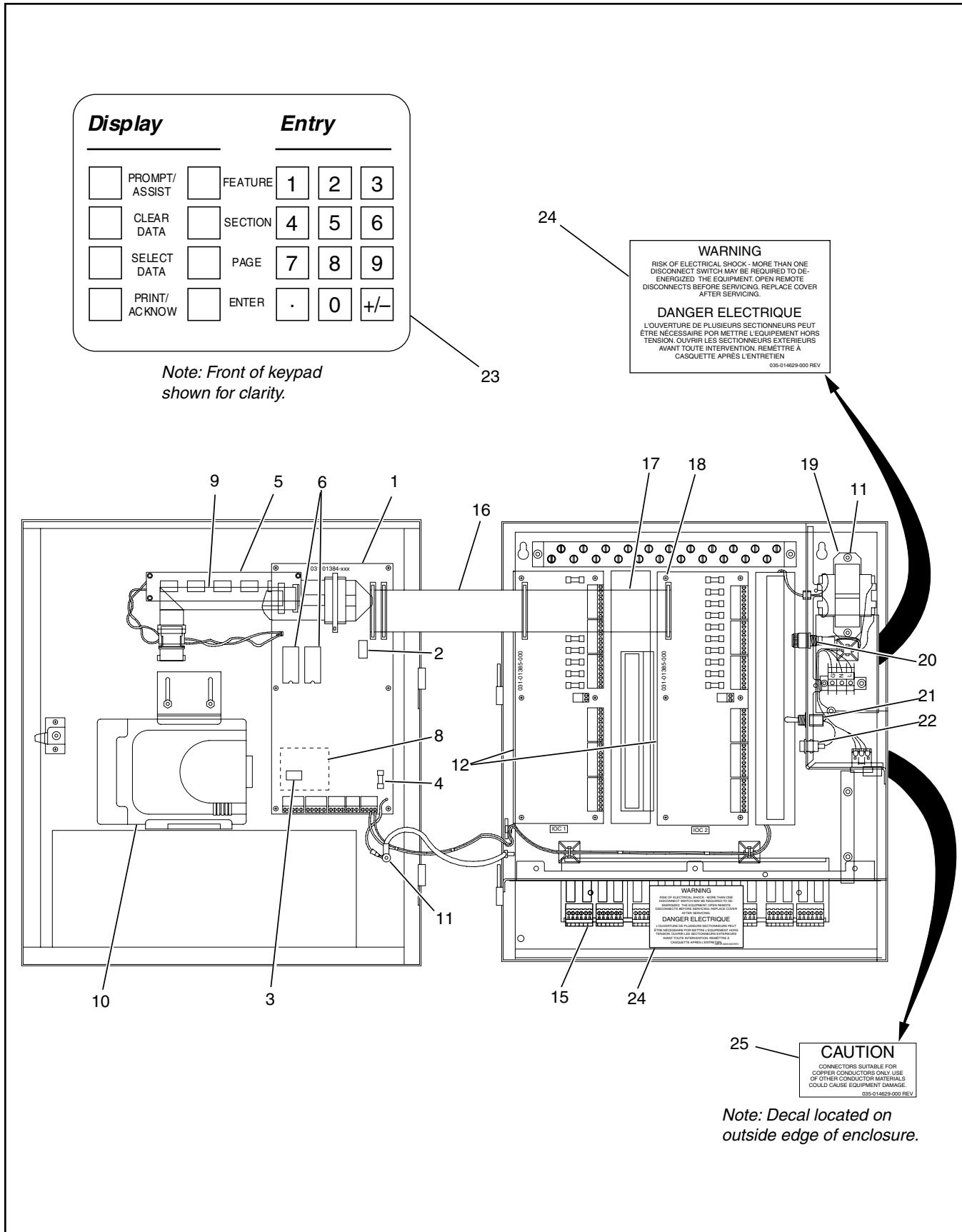


Figure 3-2. LDC and CSCC Controller (Continued)

ITEM	QTY.	DESCRIPTION	PART NO.	NOTES
		LDC-17 Controller LDC-17 Controller with 1 Relay Module LDC-17 Controller with 2 Relay Modules LDC-34 Controller LDC-34 Controller with 3 Relay Modules LDC-34 Controller with 4 Relay Modules Includes the following Items	371-01499-106 371-01499-107 371-01499-108 371-01499-109 371-01499-136 371-01499-137	
15	AR	Relay Module with Barrier	371-01765-001	
16	1	Cable, APC to IOC1 Ribbon, 8.75 in., Rev. 7	031-01337-000	
	1	Cable, APC to IOC1 Ribbon, 8.75 in., Rev. 6	031-01162-000	
17	1	Cable, APC to IOC2 Ribbon, 16.00 in., Rev. 7	031-01337-001	
	1	Cable, APC to IOC2 Ribbon, 16.00 in., Rev. 6	031-01163-000	
18	AR	Screw, SEMS, #6-32 x 3/8"	PL	
19	1	Transformer, 75 VA	025-27911-000	
20	1	Fuse, 10A	PL	
21	1	Switch, Toggle	024-11736-000	
22	1	Lamp, Indicator	025-31778-000	
23	1	Keypad	024-25505-000	
24	2	Decal, Warning	035-14629-000	
25	1	Decal, Warning	035-05548-000	
N.S.	1	Cable, Keypad to APC, LD-17	031-01338-000	
N.S.	1	Cable, Keypad to APC, LD-34	031-01303-000	
N.S.	1	York Talk Power Supply, Use with 031-01063-000, Includes Fuse	031-01091-000	
N.S.	1	Fuse, 500 mA Slow-Blow	PL	
		AUXILIARY PRODUCTS AND EXPANSION CARDS Kit, Modem and Modem Mounting FOM 3-A (Four Relays, One Board/No Box) FOM 3-B (Eight Relays, Two Boards in Box) FOM 11 Pulse Input Adapter LAN Terminator Module, RS485 Relay Control Module Control Ground Strip Snaptrack, 12" for FOM4 or FOM5 Mounting Cover, Snaptrack, 12"	031-01668-001 031-01078-000 031-01183-105 031-01662-000 031-01324-000 031-01488-000 371-01765-001 025-32505-000 371-01183-371 071-01183-370	
BE SURE TO VERIFY CORRECT SOFTWARE VERSION.				
	A	<i>Refer to number on board (shown in parenthesis) for correct identification.</i>		
	B	<i>EPPROMs must be ordered in sets.</i>		
	AR	<i>As Required. Quantities vary depending on model.</i>		
	CF	<i>Consult Factory</i>		
	PL	<i>Purchase Locally</i>		
	N.S.	<i>Not Shown on the Illustration</i>		
	NSS	<i>Not Sold Separately</i>		

Figure 3-3. FDC Controller

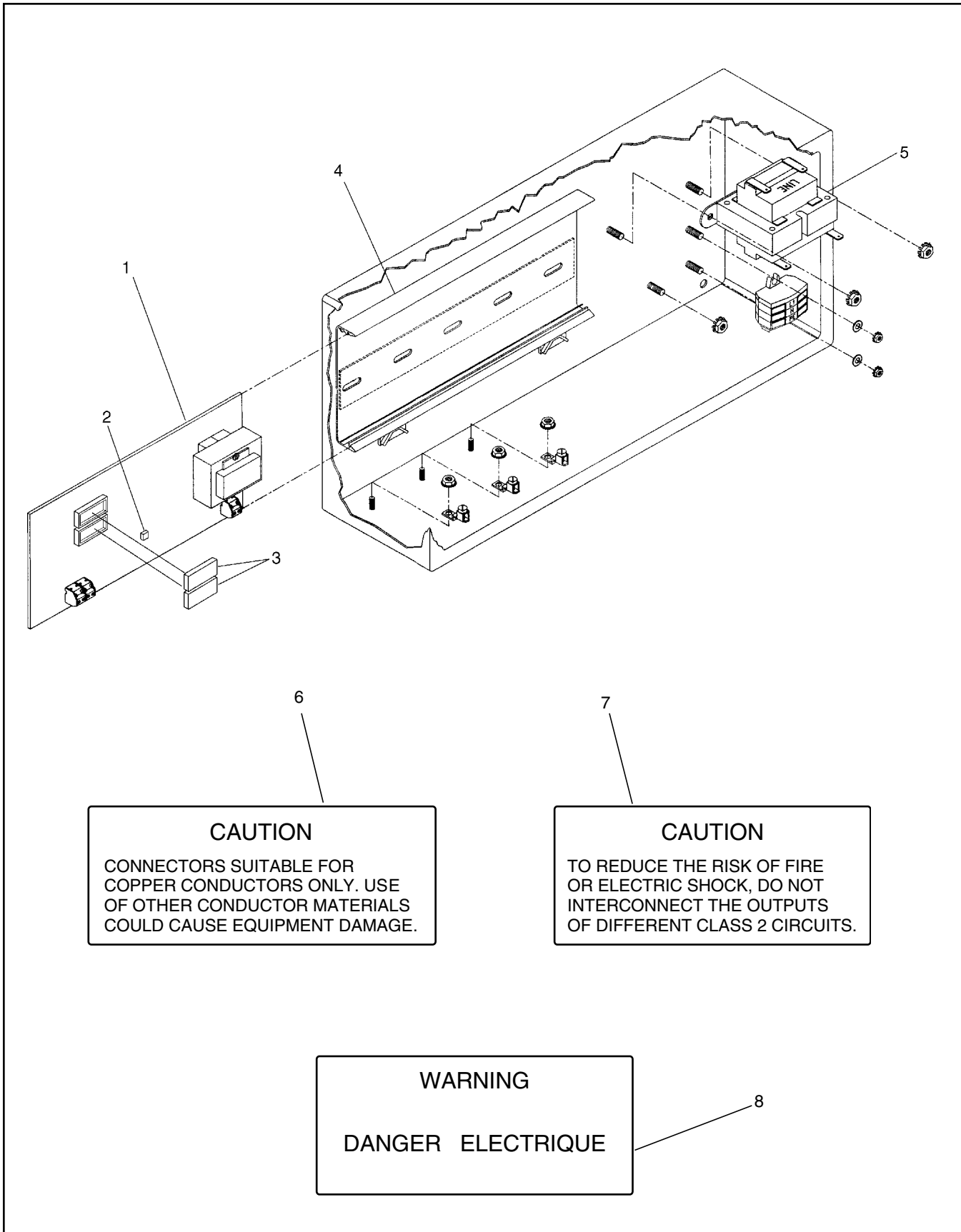


Figure 3-3. FDC Controller

ITEM	QTY.	DESCRIPTION	PART NO.	NOTES
		FDC Controller with Snaptrack & Cover FDC Controller with Snaptrack FDC Controller in Enclosure with 115 VAC Power Supply Includes the following items	371-01499-115 371-01499-116 371-01499-119	
1	1	Processor Card (031-01380-xxx)	031-01380-000	A
	1	Processor Card (031-01485-xxx) Includes Item 2, Order EPROMs Separately	031-01485-000	A
2	1	Driver, RS485	LTC485CN8	
3	1	EPROM, Rev. 77	031-01473-005	
	1	EPROM, Rev. 76	031-01688-005	
	1	EPROM, Rev. 6	031-01425-005	
4	1	Snaptrack	071-01499-371	
5	1	Power Supply, 115 VAC	025-19405-000	
6	1	Decal, Caution	035-05548-000	
7	1	Decal, Caution	035-08693-000	
8	1	Decal, Warning	035-14629-000	
		AUXILIARY PRODUCTS AND EXPANSION CARDS LAN Terminator Module, RS485	031-01488-000	

BE SURE TO VERIFY CORRECT SOFTWARE VERSION.

A Refer to number on board (shown in parenthesis) for correct identification

Figure 3-4. UDC and CX-UDC Controller

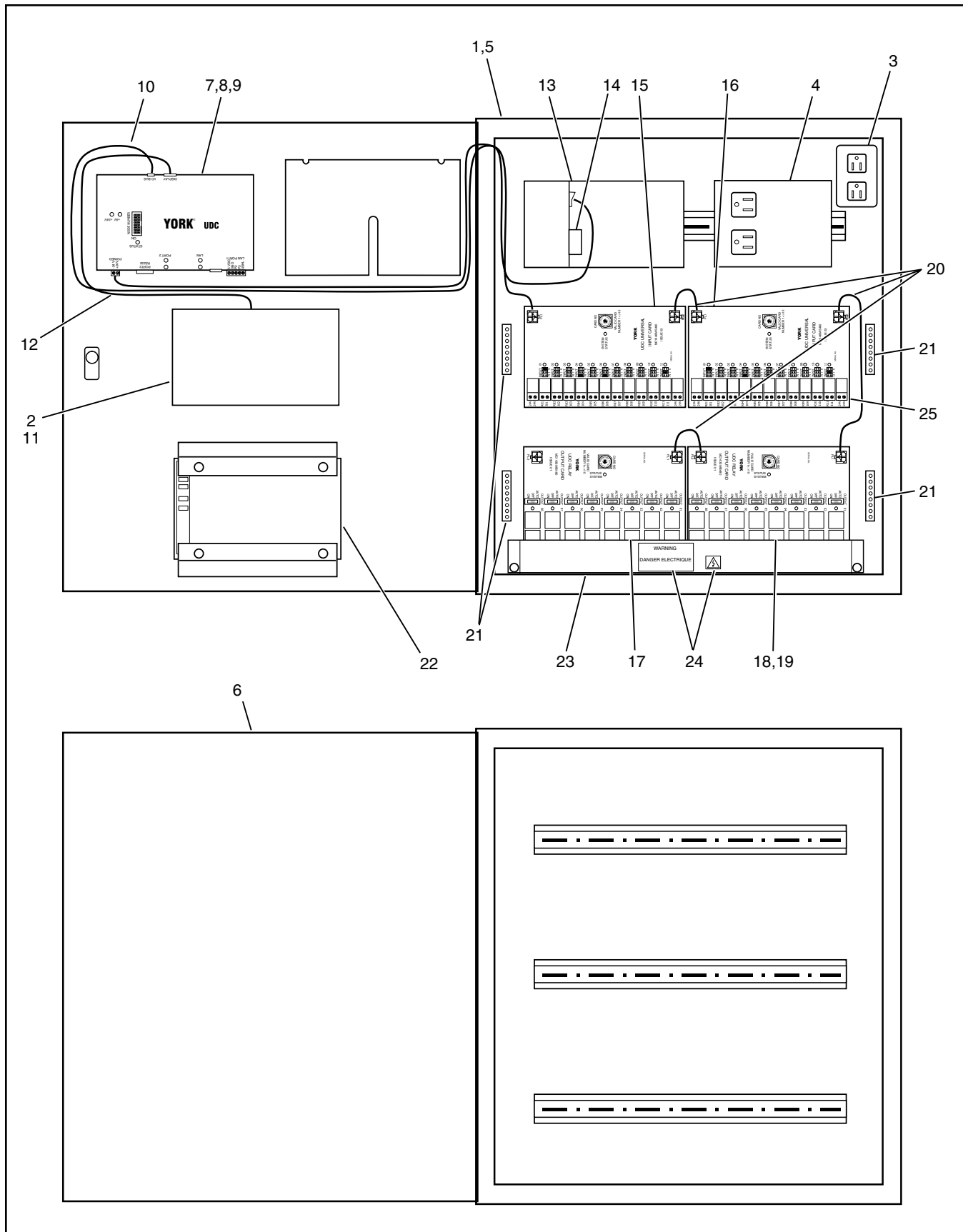


Figure 3-4. UDC and CX-UDC Controller

ITEM	QTY.	DESCRIPTION	PART NO.	NOTES
1	AR AR	UDC Enclosure with Bezel and 115 VAC Outlet, Car. Blue CX-UDC Enclosure with Bezel and 115 VAC Outlet, Gray Includes Items 2, 3	371-03664-000 371-04467-000	
2	AR	Keypad Bezel Kit, Includes Attaching Hardware	371-03663-000	A
3	1	Auxiliary Power Outlet, 115 VAC	025-37644-000	
4	1	Auxiliary Power Outlet, 230 VAC	025-37645-000	
5	AR AR	UDC Enclosure with 115 VAC Outlet, Car. Blue CX-UDC Enclosure with 115 VAC Outlet, Gray Includes Item 3	371-03664-100 371-04467-100	
6	AR AR	Enclosure, Auxiliary, Car. Blue Enclosure, Auxiliary, Gray	371-03665-000 371-04467-010	
7	1	Processor Module, Includes Items 8, 9, 10	371-03636-000	
8	1	Battery, Lithium	025-37640-000	
9	1	Fuse, 3.15 mA	025-37641-000	
10	AR	Cable, I/O, 39 in. (1 m)	371-03657-000	
11	1 1	Keypad/Display Module, Car. Blue Keypad/Display Module, Gray, Includes Item 12 (10 ft./3 m)	371-03640-000 371-04491-000	
12	1 AR	Cable, Display, 10 ft. (3 m) Cable, Display, 25 in. (64 cm)	371-03658-000 371-03659-000	
13	1	Power Supply Module, Includes Item 14	371-03633-000	
14	1	Connector, Line Voltage	025-37642-000	
15	AR	Universal Input Module, Includes Items 20, 21	371-03634-000	
16	AR	Thermistor Input Module, Includes Items 20, 21	371-03637-000	
17	AR	Universal Output Module, Includes Items 20, 21	371-03635-000	
18	AR	8-Way Relay Output Module, Includes Item 20	371-03638-000	B
19	AR	4-Way Relay Output Module, Includes Item 20	371-03766-000	B,NS
20	1/2	Cable, I/O, 8 in. (22 cm)	371-03641-000	
21	AR	Ground/Earth Bar, Includes Attaching Hardware	025-37636-000	
22	AR	Modem Kit, US, Includes Modem, Cables & Mounting Hdwe	371-03666-000	
23	AR AR	Plate, Relay Cover, Car. Blue, Includes Attaching Hardware Plate, Relay Cover, Gray, Includes Attaching Hardware	371-03661-000 371-04482-000	B B
24	AR	Decal Kit, Includes 2 Safety Labels and 8 Ground Labels	371-03660-000	B,NS
25	AR AR AR	Terminal Block, 2-Way Terminal Block, 3-Way Terminal Block, 5-Way	025-37637-000 025-37638-000 025-37639-000	
<p>A Keypad Bezel Kit is for custom built enclosures.</p> <p>B Relay Output Modules require a Cover Plate (Item 23) and Decal Kit (Item 24) to be ordered separately. Each Cover Plate covers two modules.</p> <p>AR As Required</p> <p>NS Not Shown</p>				

Figure 3-5. IDC and CX-IDC

ITEM	QTY.	DESCRIPTION	PART NO.	NOTES
		IDC, 115 VAC, Carribbean Blue IDC, 230 VAC, Carribbean Blue CX-IDC, 115 VAC, Gray CX-IDC, 230 VAC, Gray Includes the following items	371-03687-101 371-03687-201 371-04469-101 371-04469-201	
1	1	Processor Board, Includes Item 2 and 3 Order EPROMs Separately	031-02210-001	
2	1	Driver, RS485	LTC485CN8	
3	1	Battery	031-02440-000	
4	1	PROM	CF	A
5	1 1	Input/Output Card, 115 VAC Input/Output Card, 230 VAC Includes Items 6 thru 8	031-02211-001 031-02211-002	
6	1	Fuse, 400 mA, 5 x 20 Slow-Blow	PL	
7	7	Connector, 2-Pin	PL	
8	12	Connector, 3-Pin	PL	
9	1	Connector, 5-Pin	025-37639-000	
10	2	Ground/Earth Bar, Includes Attaching Hardware	025-37636-000	
NS NS	AR AR	Optional Kit, DIN Rail Mounting Clips Optional Kit, RS232 to RS485 Converter To connect IDC and CX-IDC directly to York Talk 2 chillers	071-04125-000 371-04160-000	
A <i>Verify the correct software revision level imprinted on the PROM.</i> PL <i>Purchase Locally</i> CF <i>Consult Factory</i> NS <i>Not Shown</i> AR <i>As Required</i>				

Figure 3-6. Universal LINCs

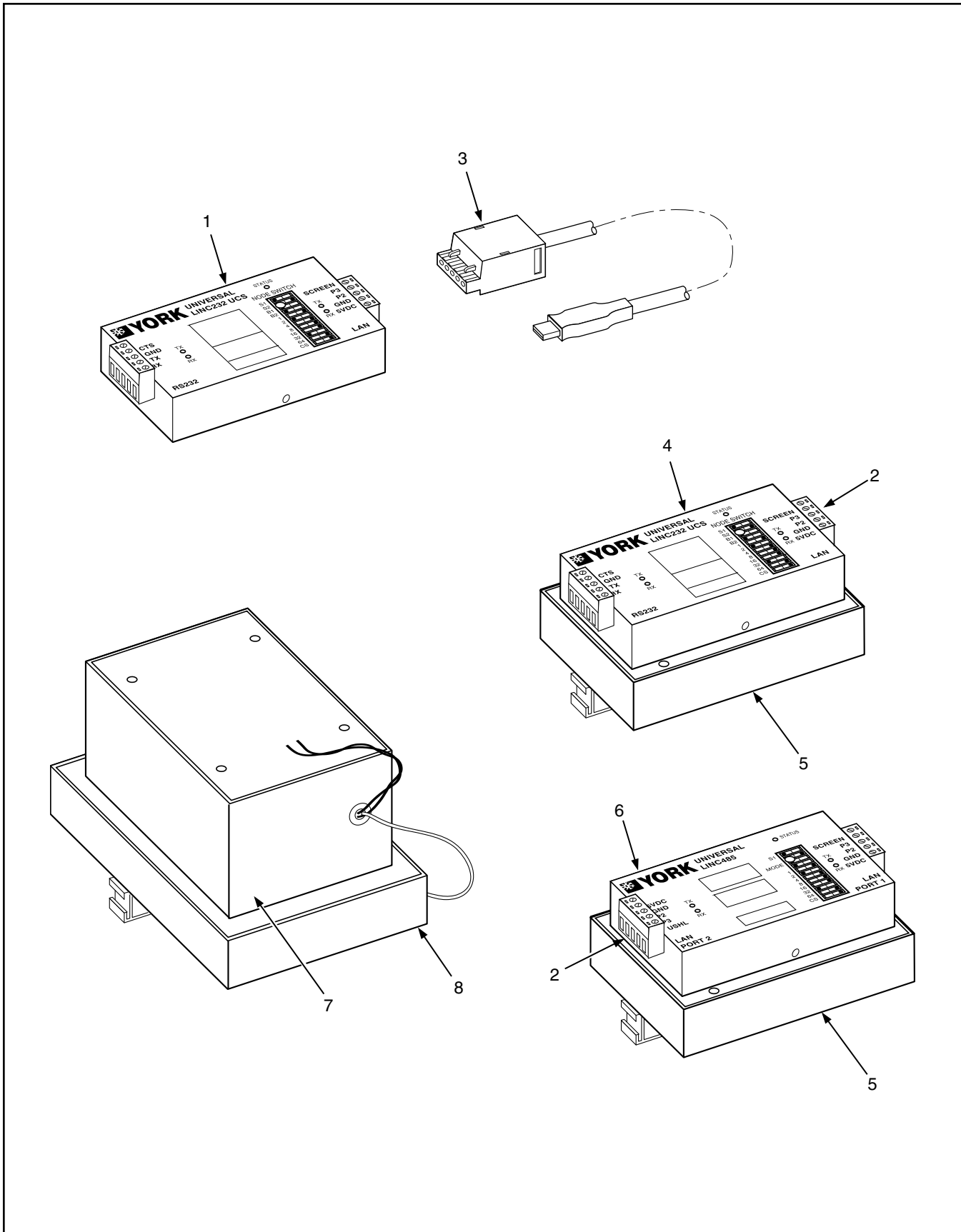


Figure 3-6. Universal LINCs

ITEM	QTY.	DESCRIPTION	PART NO.	NOTES
1	1	Universal LINC232Com UCS, Includes Items 2 and 3	371-03876-001	A
2	2	Terminal Block, 5-Way	025-37639-000	
3	1	Patch Cable	371-01429-000	
4	1	Universal LINC232 UCS, Includes Item 5	371-03785-001	
5	1	DIN Rail Housing	NSS	
6	1	Universal LINC485, Includes Item 5	371-04138-002	
7	1	5 VDC Power Supply, 115 VAC, Includes Item 8	371-04130-001	
8	1	5 VDC Power Supply, 230 VAC, Includes Item 8	371-04130-002	
8	1	DIN Rail Housing	NSS	
NS	1	Enclosure, Small, for ULINCs and TDCE, Carribean Blue	371-04131-000	

A *If not marked as UCS, the device did not function properly with UCS software*
 NSS *Not Sold Separately*
 NS *Not Shown*

Figure 3-7. Advantage Guardian Modem

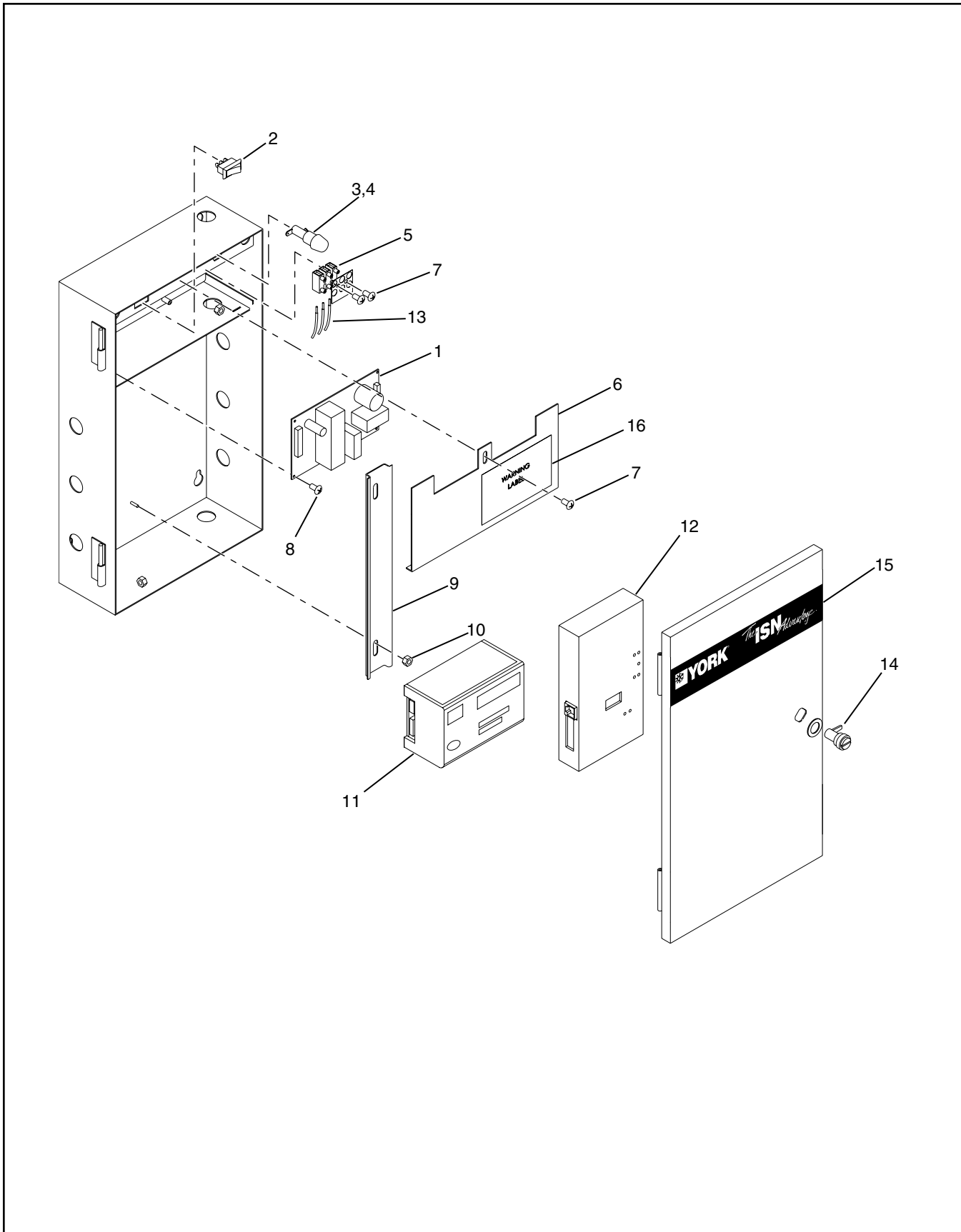


Figure 3-7. Advantage Guardian Modem

ITEM	QTY.	DESCRIPTION	PART NO.	NOTES
		Advantage Guardian Modem Includes the following items	371-04154-000	
1	1	Power Supply Board, Auto-Switching	031-02443-000	
2	1	Switch, Lighted Rocker, Red	024-30990-000	
3	1	Fuse Holder	PL	
4	1	Fuse, Time Delay, MDL-1, 1 Amp	PL	
5	1	Block, Terminal, 3 Pole	025-38103-000	
6	1	Cover, Power	071-03626-305	
7	3	Screw/Washer, SEMS, M3 x 16 mm	021-31135-000	
8	4	Screw/Washer, SEMS, M3 x 6 mm	021-31136-000	
9	1	DIN Rail	071-04128-000	
10	2	Nut, KEPS, M5	021-31138-000	
11	1	Modem Assembly	371-04155-001	
12	1	Processor Module, Includes the following 3 items:	371-03636-000	
NS	1	Battery, Lithium	025-37640-000	
NS	1	Fuse, 3.15 mA	025-37641-000	
NS	AR	Cable, I/O, 39 in. (1 m)	371-03657-000	
13	1	Harness, Power	571-04154-211	
14	1	Latch Assy., Door	021-17558-000	
15	1	Decal, The ISN Advantage	035-18673-000	
16	1	Decal, Warning, Electrocutation Hazard	035-03908-000	
		LINC Guardian Modem (U.S. Version) <i>NOTE: The LINC Guardian Modem has been replaced by the Advantage Guardian Modem. The following parts are available for the LINC Guardian Modem:</i> Processor Card EPROM Fuse, 10 amp	371-02263-101 031-01378-000 031-01473-015-C 025-0 9662-000	
PL <i>Purchase Locally</i> AR <i>As Required</i> NS <i>Not Shown</i>				

Figure 3-8. LINC Fiber Optic

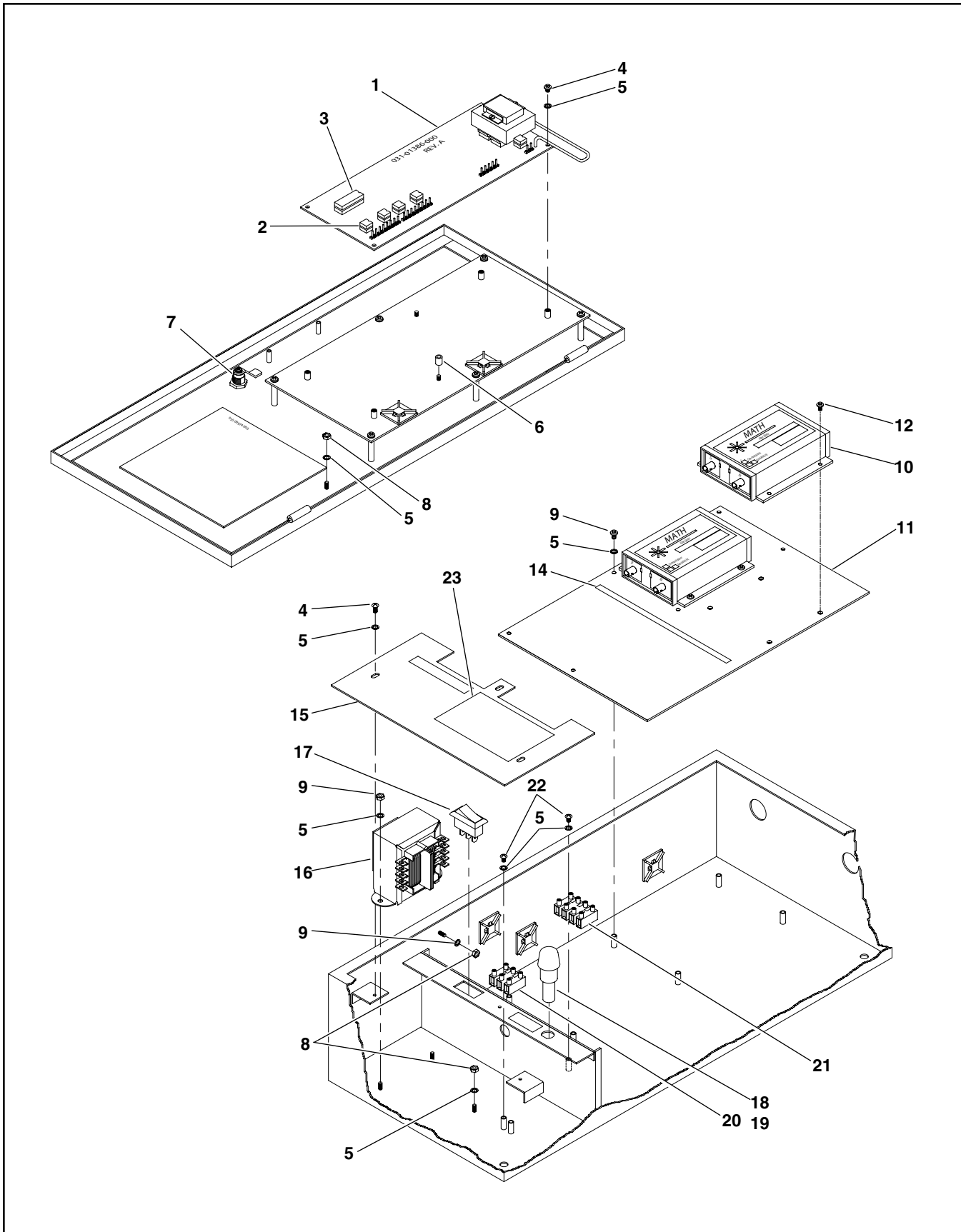


Figure 3-8. LINC Fiber Optic

ITEM	QTY.	DESCRIPTION	PART NO.	NOTES
		LINC Fiber Optic, 115 VAC LINC Fiber Optic, 230 VAC Includes the following items	371-01442-128 371-01442-130	
1	1	Circuit Board, Order EPROM Separately Includes Item 2	031-01386-000	
2	5	Driver, RS485	LTC485CN8	
3	1	EPROM, Rev. 7.7	031-01439-010	A
	1	EPROM, Rev. 7.6, 6	031-01318-010	A
4	7	Screw, #6-32 x 1/4"	PL	
5	24	Washer, Internal Lock, #6	PL	
6	2	Spacer, Nylon	PL	
7	1	Latch Assy, Door	029-22920-000	
8	5	Nut, #6-32	PL	
9	12	Screw, #6-32 x 3/8"	PL	
10	1	Transceiver	025-31391-000	
11	1	Plate, Mounting	NSS	
12	8	Screw, #6-32 x 1/4"	PL	
13	1	Harness, Modem	NSS	NS
14	1	Label	NSS	
15	1	Cover	NSS	
16	1	Transformer	025-39555-000	
17	1	Switch, Lighted Rocker, Red	024-30990-000	
18	1	Fuse Holder	PL	
19	1	Fuse, Time Delay, 1/2 amp	PL	
20	1	Block, Terminal, 3-Pole	PL	
21	1	Block, Terminal, 4-Pole	PL	
22	4	Screw, #6-32 x 3/8"	PL	
23	1	Decal, Warning	035-03908-000	
		Kit, Transceiver Upgrade Kit Includes Items 10-14 Use this kit when replacing transceivers	371-01442-100	
<p>A <i>Verify the correct software revision level imprinted on the EPROM</i></p> <p>PL <i>Purchase Locally</i></p> <p>NSS <i>Not Sold Separately</i></p> <p>NS <i>Not Shown</i></p>				

Figure 3-9. Misc. Components

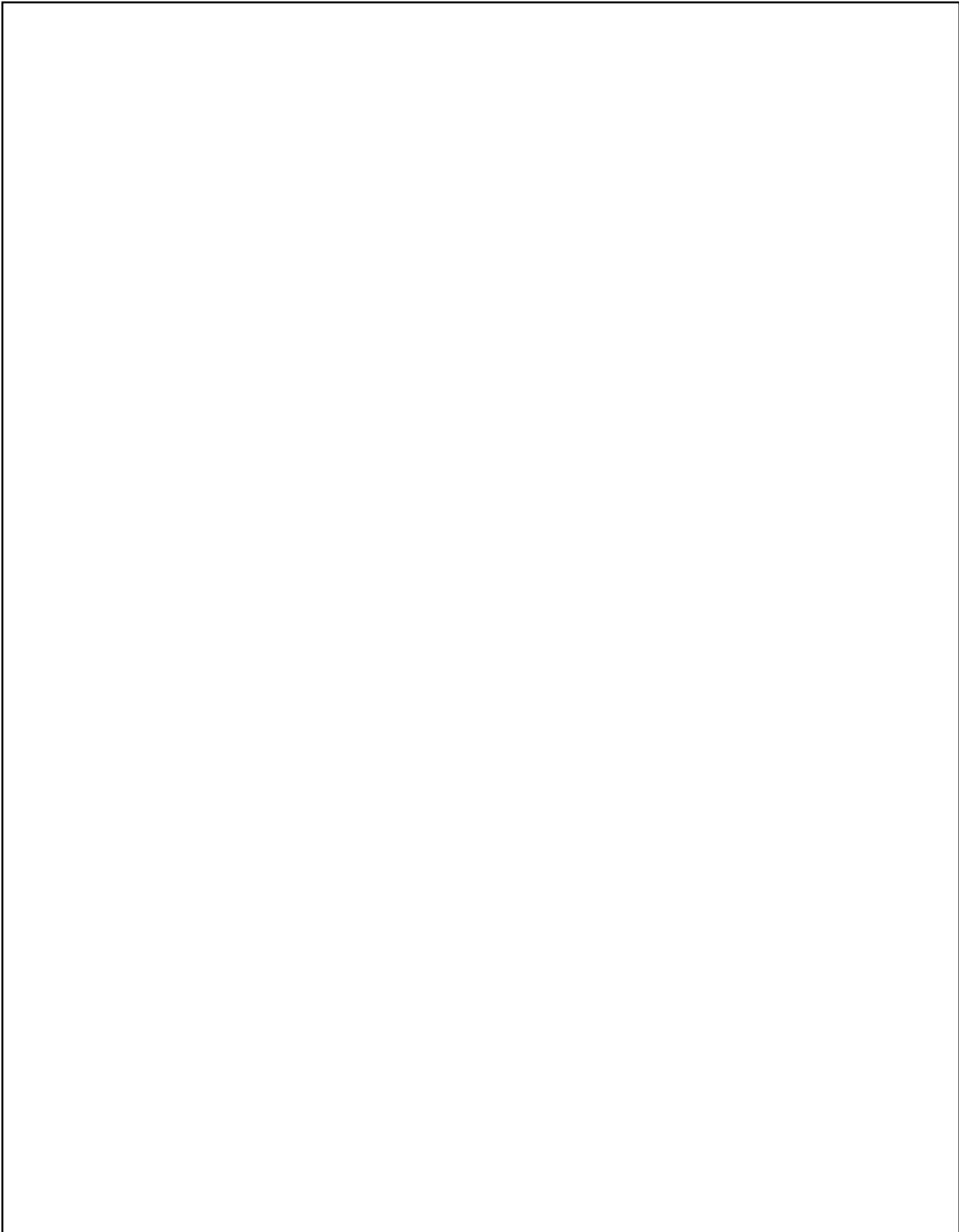


Figure 3-9. Misc. Components

ITEM	QTY.	DESCRIPTION	PART NO.	NOTES
		CX-Repeater CX-Router Termination Module for ISN network Termination Module for ISN ConneXsys network Keypad and Display Module, Carribean Blue Keypad and Display Module, Gray	371-04475-000 371-04476-000 031-01488-000 031-02526-000 371-03640-000 371-04491-000	
		<i>The above items have no serviceable components.</i>		

THIS PAGE INTENTIONALLY LEFT BLANK

LINC CHILLER EPROM CROSS-REFERENCE

Description	Top Level No.	Software Rev.	Board No.	EPROM Set	EPROM 0	EPROM 1
YT Centrifugal Linc Chiller	371-02086-400	7.7	031-01384-004	EPR-02086-400	371-02086-400	031-01694-001
YT Centrifugal Linc Chiller	371-02086-417	7.6	031-01384-004	EPR-02086-417	371-02086-417	031-01697-001
YT Centrifugal Linc Chiller	031-01585-001	6	031-01089-005	EPR-01585-001	031-01585-001	
YK Super Linc Chiller	371-02086-401	7.7	031-01384-004	EPR-02086-401	371-02086-401	031-01694-001
YK Super Linc Chiller	371-02086-418	7.6	031-01384-004	EPR-02086-418	371-02086-418	031-01697-001
YK Super Linc Chiller	031-01585-002	6	031-01089-005	EPR-01585-002	031-01585-002	
YS Screw Linc Chiller	371-02086-402	7.7	031-01384-004	EPR-02086-402	371-02086-402	031-01694-001
YS Screw Linc Chiller	371-02086-419	7.6	031-01384-004	EPR-02086-419	371-02086-419	031-01697-001
YS Screw Linc Chiller	031-01585-003	6	031-01089-005	EPR-01585-003	031-01585-003	
LS Screw Linc Chiller	371-02086-403	7.7	031-01384-004	EPR-02086-403	371-02086-403	031-01694-001
LS Screw Linc Chiller	371-02086-420	7.6	031-01384-004	EPR-02086-420	371-02086-420	031-01697-001
LS Screw Linc Chiller	031-01585-004	6	031-01089-005	EPR-01585-004	031-01585-004	
A1,A3 Air Cooled Linc Chiller	371-02086-404	7.7	031-01384-004	EPR-02086-404	371-02086-404	031-01694-001
A1,A3 Air Cooled Linc Chiller	371-02086-421	7.6	031-01384-004	EPR-02086-421	371-02086-421	031-01697-001
A1,A3 Air Cooled Linc Chiller	031-01585-005	6	031-01089-005	EPR-01585-005	031-01585-005	
B1,B3 Recip Linc Chiller	371-02086-405	7.7	031-01384-004	EPR-02086-405	371-02086-405	031-01694-001
B1,B3 Recip Linc Chiller	371-02086-422	7.6	031-01384-004	EPR-02086-422	371-02086-422	031-01697-001
B1,B3 Recip Linc Chiller	031-01585-006	6	031-01089-005	EPR-01585-006	031-01585-006	
C1,C3 Recip Linc Chiller	371-02086-406	7.7	031-01384-004	EPR-02086-406	371-02086-406	031-01694-001
C1,C3 Recip Linc Chiller	371-02086-423	7.6	031-01384-004	EPR-02086-423	371-02086-423	031-01697-001
YP Paraflow Linc Chiller	371-02086-407	7.7	031-01384-004	EPR-02086-407	371-02086-407	031-01694-001
YP Paraflow Linc Chiller	371-02086-424	7.6	031-01384-004	EPR-02086-424	371-02086-424	031-01697-001
YP Paraflow Linc Chiller	031-01332-002	6	031-01089-005	EPR-01585-008	031-01332-002	
YI Isoflow Linc Chiller	371-02086-408	7.7	031-01384-004	EPR-02086-408	371-02086-408	031-01694-001
YI Isoflow Linc Chiller	371-02086-425	7.6	031-01384-004	EPR-02086-425	371-02086-425	031-01697-001
YI Isoflow Linc Chiller	031-01417-001	6	031-01089-005	EPR-01585-009	031-01417-001	
RT Rooftop Linc Chiller	371-02086-409	7.7	031-01384-004	EPR-02086-409	371-02086-409	031-01694-001
RT Rooftop Linc Chiller	371-02086-426	7.6	031-01384-004	EPR-02086-426	371-02086-426	031-01697-001
RT Rooftop Linc Chiller	371-01458-000	6	031-01089-005	EPR-01585-010	371-01458-000	
HX Heat Pump Linc Chiller	371-02086-410	7.7	031-01384-004	EPR-02086-410	371-02086-410	031-01694-001
HX Heat Pump Linc Chiller	371-02086-427	7.6	031-01384-004	EPR-02086-427	371-02086-427	031-01697-001
H1,H3 Heat Pump Linc Chiller	371-02086-411	7.7	031-01384-004	EPR-02086-411	371-02086-411	031-01694-001
H1,H3 Heat Pump Linc Chiller	371-02086-428	7.6	031-01384-004	EPR-02086-428	371-02086-428	031-01697-001
Hi Heat Pump Linc Chiller	371-02086-412	7.7	031-01384-004	EPR-02086-412	371-02086-412	031-01694-001
Hi Heat Pump Linc Chiller	371-02086-429	7.6	031-01384-004	EPR-02086-429	371-02086-429	031-01697-001
B1 Basildon Recip Linc Chiller	371-02086-413	7.7	031-01384-004	EPR-02086-413	371-02086-413	031-01694-001
B1 Basildon Recip Linc Chiller	371-02086-430	7.6	031-01384-004	EPR-02086-430	371-02086-430	031-01697-001
A1 Air Cooled Linc Chiller	371-02086-414	7.7	031-01384-004	EPR-02086-414	371-02086-414	031-01694-001
A1 Air Cooled Linc Chiller	371-02086-431	7.6	031-01384-004	EPR-02086-431	371-02086-431	031-01697-001
C1 US Recip Linc Chiller	371-02086-415	7.7	031-01384-004	EPR-02086-415	371-02086-415	031-01694-001
C1 US Recip Linc Chiller	371-02086-432	7.6	031-01384-004	EPR-02086-432	371-02086-432	031-01697-001
YG GED Linc Chiller	371-02086-416	7.7	031-01384-004	EPR-02086-416	371-02086-416	031-01694-001
YG GED Linc Chiller	371-02086-433	7.6	031-01384-004	EPR-02086-433	371-02086-433	031-01697-001

NOTE: EPROMs cannot be ordered individually. They must be ordered in sets. This cross-reference is intended as a guide to assure that proper replacement EPROMS are ordered.

NOTE: The Top Level No. is the number stamped on the ID plate on the outside of the enclosure. The Board No. is written on the board. Please note that EPROMs are not included with replacement boards.

PART NUMBER INDEX

Part No.	Page	Part No.	Page	Part No.	Page
021-17558-000	21,25,51	031-01163-000	41	031-02043-002	7
021-30710-000	15	031-01183-105	37,41	031-02088-000	15,17
021-31135-000	25,51	031-01303-000	41	031-02090-001	17
021-31136-000	25,51	031-01318-010	53	031-02090-002	17
021-31138-000	25,51	031-01324-000	41	031-02200-001	7,11
023-21795-000	33	031-01336-000	39	031-02200-002	7,11,17
024-11736-000	37,41	031-01336-001	39	031-02200-003	7,11
024-25289-000	37	031-01337-000	41	031-02200-004	7,11
024-25505-000	41	031-01337-001	41	031-02200-005	7,11
024-30990-000	15,17,25,51,53	031-01338-000	41	031-02200-006	15
025-09662-000	37,51	031-01338-001	39	031-02200-007	7,11
025-19405-000	13,43	031-01378-000	51	031-02210-001	47
025-27911-000	37,41	031-01380-000	43	031-02211-001	47
025-31383-101	31	031-01381-000	35	031-02211-002	47
025-31391-000	53	031-01382-000	35	031-02440-000	47
025-31778-000	37,41	031-01383-000	35	031-02443-000	25,51
025-32505-000	37,41	031-01384-000	39	031-02458-000	9,11
025-32580-000	31	031-01384-004	21,57	031-02490-001	9,11
025-37636-000	45,47	031-01385-000	39	031-02526-000	55
025-37637-000	45	031-01386-000	53	035-03908-000	15,17,25,51,53
025-37638-000	45	031-01425-005	43	035-05548-000	37,41,43
025-37639-000	45,47,49	031-01439-010	53	035-08693-000	37,43
025-37640-000	19,25,45,51	031-01473-005	43	035-14629-000	37,41,43
025-37641-000	19,25,45,51	031-01473-012	31	035-18673-000	25,51
025-37642-000	45	031-01473-015-C	51	035-18684-000	25
025-37644-000	45	031-01473-100	31	071-01183-370	37,41
025-37645-000	45	031-01483-001	31	071-01499-371	43
025-38103-000	25,51	031-01483-002	31	071-03626-305	15,17,25,51
025-39480-000	27,29	031-01485-000	43	071-03626-320	17
025-39555-000	53	031-01488-000	37,41,43,55	071-04125-000	27,29,47
029-22920-000	53	031-01577-001	31	071-04128-000	25,51
031-01059-000	35	031-01577-002	31	071-04143-300	33
031-01060-000	35	031-01577-003	31	071-04483-310	19
031-01061-000	35	031-01577-004	31	371-01089-005	13
031-01062-000	37	031-01577-005	31	371-01183-361	21
031-01063-000	35,39,41	031-01577-006	31	371-01183-371	37,41
031-01068-001	35	031-01577-007	31	371-01384-001	13
031-01068-002	35	031-01577-100	31	371-01429-000	49
031-01068-003	35	031-01662-000	37,41	371-01442-100	53
031-01068-004	35	031-01668-000	37	371-01442-128	53
031-01078-000	37,41	031-01668-001	41	371-01442-130	53
031-01089-005	21,57	031-01688-005	43	371-01499-101	35,37
031-01089-007	39	031-01716-000	35	371-01499-102	35,37
031-01090-000	39	031-01722-700	35,39	371-01499-103	35,37
031-01091-000	41	031-02039-000	7,11,15,17	371-01499-104	35,37
031-01162-000	41	031-02043-001	7	371-01499-106	39,41

PART NUMBER INDEX (Continued)

Part No.	Page	Part No.	Page	Part No.	Page
371-01499-107	39,41	371-03609-004	11	371-04136-002	27
371-01499-108	39,41	371-03609-005	11	371-04136-003	27
371-01499-109	39,41	371-03609-007	11	371-04138-002	49
371-01499-115	43	371-03609-012	11	371-04154-000	51
371-01499-116	43	371-03609-013	11	371-04155-001	51
371-01499-119	43	371-03609-014	11	371-04160-000	47
371-01499-130	35,37	371-03609-015	11	371-04184-000	29
371-01499-131	35,37	371-03626-101	15	371-04467-000	45
371-01499-132	35,37	371-03626-201	17	371-04467-010	45
371-01499-133	35,37	371-03626-202	17	371-04467-100	45
371-01499-134	35,37	371-03626-341	15	371-04469-101	47
371-01499-135	35,37	371-03633-000	45	371-04469-201	47
371-01499-136	39,41	371-03634-000	45	371-04470-001	27
371-01499-137	39,41	371-03635-000	45	371-04470-002	27
371-01762-001	37	371-03636-000	25,45,51	371-04470-003	27
371-01765-001	37,41	371-03637-000	45	371-04471-001	27
371-02043-001	19	371-03638-000	45	371-04471-002	27
371-02045-100	31	371-03640-000	45,55	371-04471-003	27
371-02045-101	31	371-03641-000	45	371-04472-001	29
371-02045-102	31	371-03657-000	25,45,51	371-04472-002	29
371-02045-103	31	371-03658-000	45	371-04473-001	29
371-02097-100	35,37	371-03659-000	45	371-04474-001	33
371-02263-101	51	371-03660-000	45	371-04475-000	55
371-02592-101	7,9	371-03661-000	45	371-04476-000	55
371-02592-102	7,9	371-03663-000	45	371-04482-000	45
371-02592-103	7,9	371-03664-000	45	371-04483-001	19
371-02592-104	7,9	371-03664-100	45	371-04483-002	19
371-02592-105	7,9	371-03665-000	45	371-04483-003	19
371-02592-107	7,9	371-03666-000	45	371-04483-004	19
371-02592-112	7,9	371-03687-101	47	371-04483-005	19
371-02592-113	7,9	371-03687-201	47	371-04483-006	19
371-02592-114	7,9	371-03766-000	45	371-04483-051	19
371-02592-115	7,9	371-03772-001	29,33	371-04483-052	19
371-02592-201	7,9	371-03772-002	29	371-04483-053	19
371-02592-202	7,9	371-03773-001	29	371-04483-054	19
371-02592-203	7,9	371-03785-001	49	371-04483-055	19
371-02592-204	7,9	371-03785-002	25	371-04483-056	19
371-02592-205	7,9	371-03876-001	49	371-04483-057	19
371-02592-207	7,9	371-04130-001	49	371-04483-200	19
371-02592-212	7,9	371-04130-002	49	371-04490-000	29
371-02592-213	7,9	371-04131-000	49	371-04491-000	45,55
371-02592-214	7,9	371-04132-000	25	571-02045-001	31
371-02592-215	7,9	371-04135-001	27	571-03626-221	15
371-03609-001	11	371-04135-002	27	571-03626-222	17
371-03609-002	11	371-04135-003	27	571-04154-211	25,51
371-03609-003	11	371-04136-001	27	571-04154-212	25

PART NUMBER INDEX (Continued)

Part No.	Page	Part No.	Page	Part No.	Page
571-04483-211	19	EPR-02086-428	23		
571-04483-212	19	EPR-02086-429	23		
571-04483-214	19	EPR-02086-430	23		
575-30731-451	11	EPR-02086-431	23		
575-30731-452	11	EPR-02086-432	23		
EPR-01585-	21	EPR-02086-433	23		
EPR-01585-001	21	EPR-EDC-R4	35		
EPR-01585-002	21	EPR-EDC-R6	35		
EPR-01585-003	21	EPR-EDC-R76	35		
EPR-01585-004	21	EPR-EDC-R77	35		
EPR-01585-005	21	EPR-LDC-R4	39		
EPR-01585-006	21	EPR-LDC-R6	39		
EPR-01585-009	23	EPR-LDC-R76	39		
EPR-01585-010	23	EPR-LDC-R77	39		
EPR-02083-000	13	LTC485CN8	7,11,33,35,39,43,47,53		
EPR-02083-001	13				
EPR-02083-002	13				
EPR-02085-000	13				
EPR-02085-001	13				
EPR-02086-400	21				
EPR-02086-401	21				
EPR-02086-402	21				
EPR-02086-403	21				
EPR-02086-404	21				
EPR-02086-405	21				
EPR-02086-406	21				
EPR-02086-407	21				
EPR-02086-408	23				
EPR-02086-409	23				
EPR-02086-410	23				
EPR-02086-411	23				
EPR-02086-412	23				
EPR-02086-413	23				
EPR-02086-414	23				
EPR-02086-415	23				
EPR-02086-416	23				
EPR-02086-417	21				
EPR-02086-418	21				
EPR-02086-419	21				
EPR-02086-420	21				
EPR-02086-421	21				
EPR-02086-422	21				
EPR-02086-423	21				
EPR-02086-424	21				
EPR-02086-425	23				
EPR-02086-426	23				
EPR-02086-427	23				

NOTES



P.O. Box 1592, York, Pennsylvania USA 17405-1592
Tele. 800-861-1001 website: www.york.com
Copyright © by York International Corporation 2004
Form 450.00-RP1 (1004)
Supersedes: 450.00-RP1 (104)

Unit 1, Red Shute Hill, Hermitage, Newbury, Berks RG18 9QL United Kingdom
Tele: +44 (0)1635 202200 e-mail: controls.sales@uk.york.com
Subject to change without notice. Printed in USA
ALL RIGHTS RESERVED