



## WATER-COOLED SCREW LIQUID CHILLERS

RENEWAL PARTS

Supersedes: 201.30-RP1 (1113)

Form 201.30-RP1 (1214)

**MODEL YVWA  
STYLE A  
SINGLE AND DUAL COMPRESSOR  
50Hz and 60Hz  
120 - 300 Tons  
420 - 1055 kW**



**R-134A**

Issue Date:  
December 12, 2014



# IMPORTANT!

## READ BEFORE PROCEEDING!

### GENERAL SAFETY GUIDELINES

This equipment is a relatively complicated apparatus. During installation, operation maintenance or service, individuals may be exposed to certain components or conditions including, but not limited to: refrigerants, materials under pressure, rotating components, and both high and low voltage. Each of these items has the potential, if misused or handled improperly, to cause bodily injury or death. It is the obligation and responsibility of operating/service personnel to identify and recognize these inherent hazards, protect themselves, and proceed safely in completing their tasks. Failure to comply with any of these requirements could result in serious damage to the equipment and the property in

which it is situated, as well as severe personal injury or death to themselves and people at the site.

This document is intended for use by owner-authorized operating/service personnel. It is expected that these individuals possess independent training that will enable them to perform their assigned tasks properly and safely. It is essential that, prior to performing any task on this equipment, this individual shall have read and understood this document and any referenced materials. This individual shall also be familiar with and comply with all applicable governmental standards and regulations pertaining to the task in question.

---

### SAFETY SYMBOLS

The following symbols are used in this document to alert the reader to specific situations:



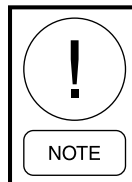
*Indicates a possible hazardous situation which will result in death or serious injury if proper care is not taken.*



*Identifies a hazard which could lead to damage to the machine, damage to other equipment and/or environmental pollution if proper care is not taken or instructions are not followed.*



*Indicates a potentially hazardous situation which will result in possible injuries or damage to equipment if proper care is not taken.*



*Highlights additional information useful to the technician in completing the work being performed properly.*



*External wiring, unless specified as an optional connection in the manufacturer's product line, is not to be connected inside the control cabinet. Devices such as relays, switches, transducers and controls and any external wiring must not be installed inside the micro panel. All wiring must be in accordance with Johnson Controls' published specifications and must be performed only by a qualified electrician. Johnson Controls will NOT be responsible for damage/problems resulting from improper connections to the controls or application of improper control signals. Failure to follow this warning will void the manufacturer's warranty and cause serious damage to property or personal injury.*

## CHANGEABILITY OF THIS DOCUMENT

In complying with Johnson Controls' policy for continuous product improvement, the information contained in this document is subject to change without notice. Johnson Controls makes no commitment to update or provide current information automatically to the manual owner. Updated manuals, if applicable, can be obtained by contacting the nearest Johnson Controls Service office or accessing the Johnson Controls QuickLIT website at <http://cgproducts.johnsoncontrols.com>.

Operating/service personnel maintain responsibility for the applicability of these documents to the equipment.

If there is any question regarding the applicability of these documents, the technician should verify whether the equipment has been modified and if current literature is available from the owner of the equipment prior to performing any work on the chiller.

### CHANGE BARS

Revisions made to this document are indicated with a line along the left or right hand column in the area the revision was made. These revisions are to technical information and any other changes in spelling, grammar or formatting are not included.

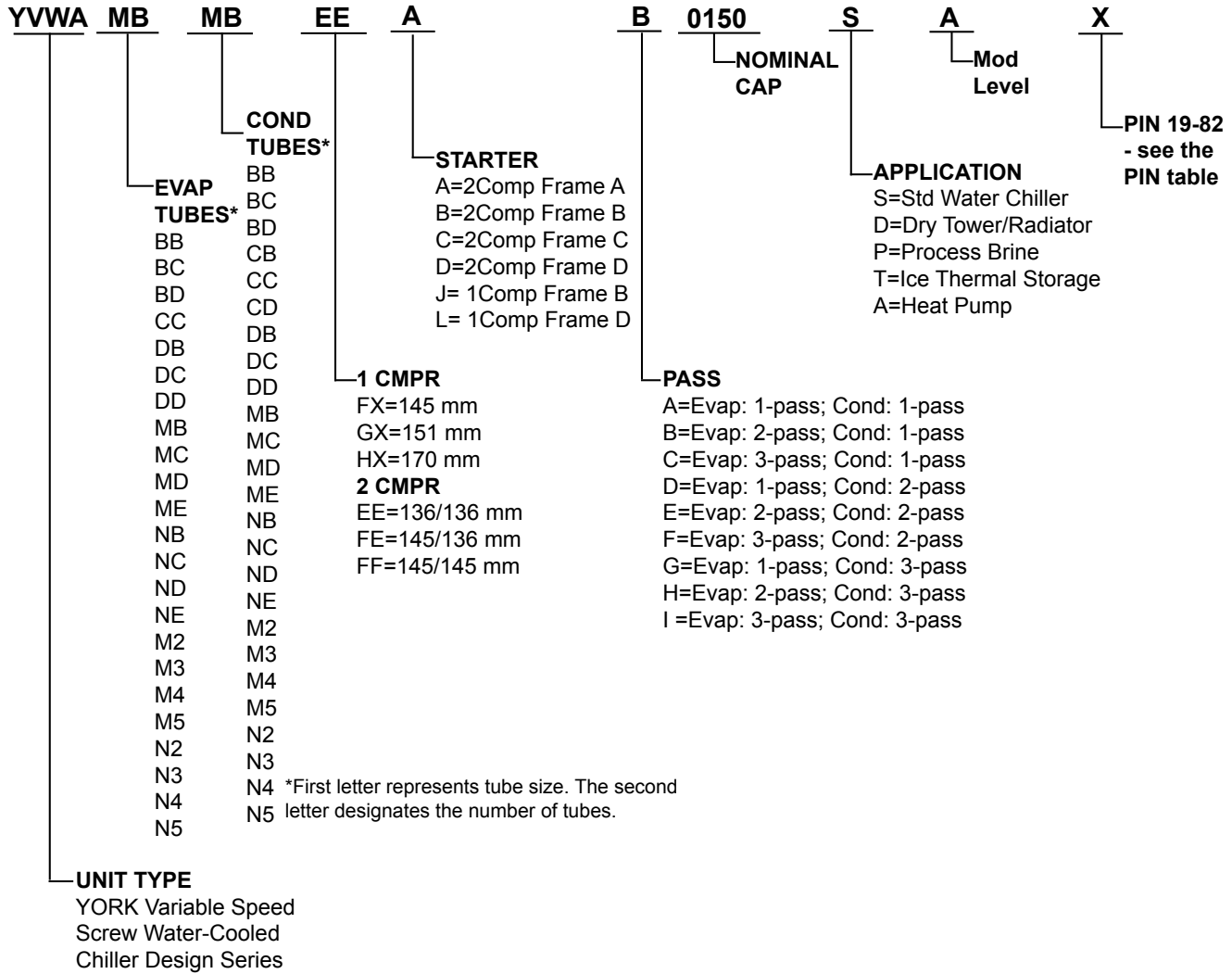
## ASSOCIATED LITERATURE

MANUAL DESCRIPTION	FORM NUMBER
Unit Installation, Operation and Maintenance (Single Compressor)	201.30-ICOM1
Unit Installation, Operation and Maintenance (Dual Compressor)	201.30-ICOM2
Wiring Diagram - Field Connections and Control for YVWA (Single Compressor)	201.30-PW1
Wiring Diagram - Field Connections and Control for YVWA (Dual Compressor)	201.30-PW2

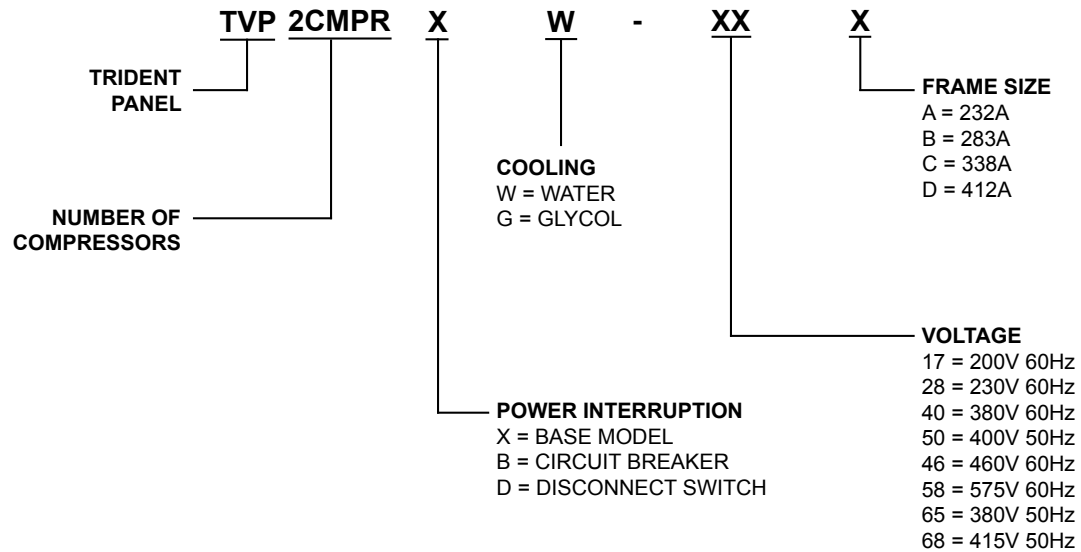
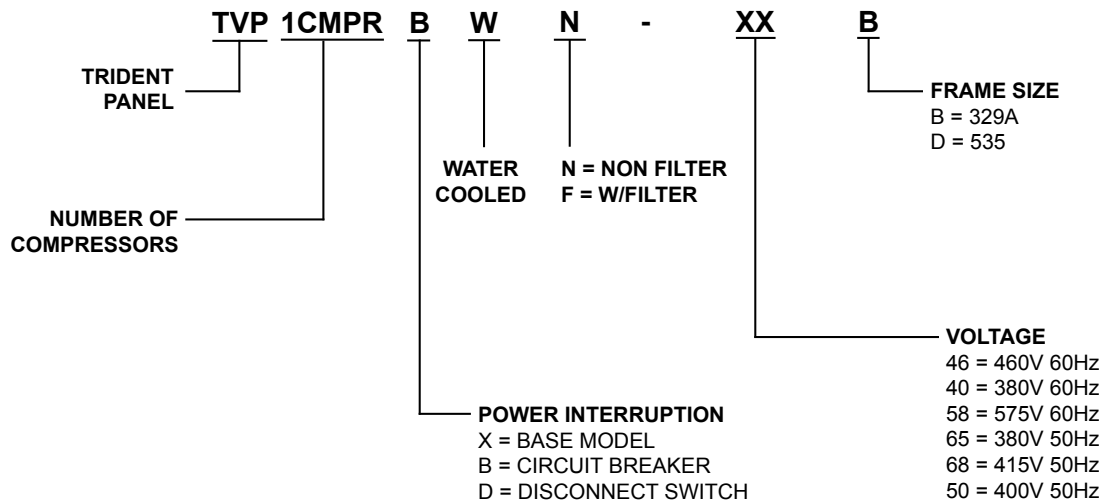
## REGIONAL ACRONYMS

DESCRIPTION	Acronym
American Society of Mechanical Engineers	ASME
Canadian Electrical	CE
Guo Baio or Chinese National Standard	GB
European Pressure Equipment Directive	PED

## UNIT NOMENCLATURE



## VARIABLE SPEED DRIVE NOMENCLATURES



## COMPLETE PIN NUMBER DESCRIPTION

FEATURE	DESCRIPTION	OPTION	DESCRIPTION
<b>MODEL</b>	Model (PIN 1)	Y	YORK
<b>COMPRTYP</b>	Compressor Type (PIN 2)	V	Variable Speed Screw
<b>CHILLERTYP</b>	Chiller Type (PIN 3)	W	Water-Cooled Chiller
<b>DESIGNER</b>	Design Series (PIN 4)	A	Design Series
<b>EVAPORATOR SHELL SIZE</b> Tube Count x Tube Nominal Size (PIN 5, 6)	BB		8 ft (2.4 m) x 22 in (558 mm), 120 x 0.75 in (19 mm)
	BC		8 ft (2.4 m) x 22 in (558 mm), 140 x 0.75 in (19 mm)
	BD		8 ft (2.4 m) x 22 in (558 mm), 160 x 0.75 in (19 mm)
	CB		10 ft (3.0 m) x 22 in (558 mm), 120 x 0.75 in (19 mm)
	CC		10 ft (3.0 m) x 22 in (558 mm), 140 x 0.75 in (19 mm)
	CD		10 ft (3.0 m) x 22 in (558 mm), 160 x 0.75 in (19 mm)
	DB		12 ft (3.6 m) x 22 in (558 mm), 120 x 0.75 in (19 mm)
	DC		12 ft (3.6 m) x 22 in (558 mm), 140 x 0.75 in (19 mm)
	DD		12 ft (3.6 m) x 22 in (558 mm), 160 x 0.75 in (19 mm)
	MB		12 ft (3.6 m) x 24 in (610 mm), 160 x 0.75 in (19 mm)
	MC		12 ft (3.6 m) x 24 in (610 mm), 200 x 0.75 in (19 mm)
	MD		12 ft (3.6 m) x 24 in (610 mm), 230 x 0.75 in (19 mm)
	ME		12 ft (3.6 m) x 24 in (610 mm), 260 x 0.75 in (19 mm)
	NB		14 ft (4.2 m) x 24 in (610 mm), 160 x 0.75 in (19 mm)
	NC		14 ft (4.2 m) x 24 in (610 mm), 200 x 0.75 in (19 mm)
	ND		14 ft (4.2 m) x 24 in (610 mm), 230 x 0.75 in (19 mm)
	NE		14 ft (4.2 m) x 24 in (610 mm), 260 x 1 in (25 mm)
	M2		12 ft (3.6 m) x 24 in (610 mm), 80 x 1 in (25 mm)
	M3		12 ft (3.6 m) x 24 in (610 mm), 95 x 1 in (25 mm)
	M4		12 ft (3.6 m) x 24 in (610 mm), 110 x 1 in (25 mm)
	M5		12 ft (3.6 m) x 24 in (610 mm), 129 x 1 in (25 mm)
	N2		14 ft (4.2 m) x 24 in (610 mm), 80 x 1 in (25 mm)
	N3		14 ft (4.2 m) x 24 in (610 mm), 95 x 1 in (25 mm)
	N4		14 ft (4.2 m) x 24 in (610 mm), 110 x 1 in (25 mm)
	N5		14 ft (4.2 m) x 24 in (610 mm), 129 x 1 in (25 mm)
<b>CONDENSER SHELL SIZE</b> Tube Count x Tube Nominal Size (PIN 7, 8)	BB		8 ft (2.4 m) x 18 in (457 mm), 140 x 0.75 in (19 mm)
	BC		8 ft (2.4 m) x 18 in (457 mm), 160 x 0.75 in (19 mm)
	BD		8 ft (2.4 m) x 18 in (457 mm), 175 x 0.75 in (19 mm)
	CB		10 ft (3.0 m) x 18 in (457 mm), 140 x 0.75 in (19 mm)
	CC		10 ft (3.0 m) x 18 in (457 mm), 160 x 0.75 in (19 mm)
	CD		10 ft (3.0 m) x 18 in (457 mm), 175 x 0.75 in (19 mm)
	DB		12 ft (3.6 m) x 18 in (457 mm), 140 x 0.75 in (19 mm)
	DC		12 ft (3.6 m) x 18 in (457 mm), 160 x 0.75 in (19 mm)
	DD		12 ft (3.6 m) x 18 in (457 mm), 175 x 0.75 in (19 mm)
	MB		12 ft (3.6 m) x 20 in (508 mm), 162 x 0.75 in (19 mm)
	MC		12 ft (3.6 m) x 20 in (508 mm), 191 x 0.75 in (19 mm)
	MD		12 ft (3.6 m) x 20 in (508 mm), 211 x 0.75 in (19 mm)
	ME		12 ft (3.6 m) x 20 in (508 mm), 200 x 0.75 in (19 mm)
	NB		14 ft (4.2 m) x 20 in (508 mm), 162 x 0.75 in (19 mm)
	NC		14 ft (4.2 m) x 20 in (508 mm), 191 x 0.75 in (19 mm)
	ND		14 ft (4.2 m) x 20 in (508 mm), 211 x 0.75 in (19 mm)
	NE		14 ft (4.2 m) x 20 in (508 mm), 200 x 0.75 in (19 mm)
	M2		12 ft (3.6 m) x 20 in (508 mm), 72 x 1 in (25 mm), 18 x 0.75 in (19 mm)
	M3		12 ft (3.6 m) x 20 in (508 mm), 90 x 1 in (25 mm), 18 x 0.75 in (19 mm)
	M4		12 ft (3.6 m) x 20 in (508 mm), 107 x 1 in (25 mm), 18 x 0.75 in (19 mm)
	M5		12 ft (3.6 m) x 20 in (508 mm), 123 x 1 in (25 mm), 18 x 0.75 in (19 mm)
	N2		14 ft (4.2 m) x 20 in (508 mm), 72 x 1 in (25 mm), 18 x 0.75 in (19 mm)
	N3		14 ft (4.2 m) x 20 in (508 mm), 90 x 1 in (25 mm), 18 x 0.75 in (19 mm)
	N4		14 ft (4.2 m) x 20 in (508 mm), 107 x 1 in (25 mm), 18 x 0.75 in (19 mm)
	N5		14 ft (4.2 m) x 20 in (508 mm), 123 x 1 in (25 mm), 18 x 0.75 in (19 mm)

## COMPLETE PIN NUMBER DESCRIPTION (CONT'D)

FEATURE	DESCRIPTION	OPTION	DESCRIPTION
<b>CMPR</b>	Compressor Driveline (PIN 9, 10)	FX	1 CMPR (145mm)
		GX	1 CMPR (151mm)
		HX*	1 CMPR (170mm)
		EE	2 CMPR (136mm/136mm)
		FE	2 CMPR (145mm/136mm)
		FF	2 CMPR (145mm/145mm)
		QQ	Special Quote
<b>STARTER</b>	Starter (PIN 11)	A	2 CMPR Frame A
		B	2 CMPR Frame B
		C	2 CMPR Frame C
		D	2 CMPR Frame D
		J	1 CMPR Frame B
		L	1 CMPR Frame D
		Q	Special Quote
<b>PASS</b>	Pass Arrangement (PIN 12)	A	Evap: 1pass; Cond: 1pass
		B	Evap: 2pass; Cond: 1pass
		C	Evap: 3pass; Cond: 1pass
		D	Evap: 1pass; Cond: 2pass
		E	Evap: 2pass; Cond: 2pass
		F	Evap: 3pass; Cond: 2pass
		G	Evap: 1pass; Cond: 3pass
		H	Evap: 2pass; Cond: 3pass
		I	Evap: 3pass; Cond: 3pass
		Q	Special Quote
<b>NOMCAP</b>	Nominal Capacity (PIN 13, 14, 15, 16)	ASIA	Asia Region for Marketing
		####	kW for Europe for Marketing
		####	TR for NA Region for Marketing
<b>APPL</b>	Application (PIN 17)	S	Cooling Only Unit
		D	Dry Tower
		P	Process Brine
		T	Ice Thermal Storage Unit
		A	Heat Pump Unit
		F	Heat Recovery
		I	Process Brine & Dry Tower
		Q	Special Quote
<b>MODLVL</b>	Modification Level A (PIN 18)	A	Modification Level A
<b>PIN19</b>	PIN19	X	No Selection
		Q	Special Quote

## COMPLETE PIN NUMBER DESCRIPTION (CONT'D)

FEATURE	DESCRIPTION	OPTION	DESCRIPTION
<b>VOLTS</b>	Voltage (PIN 20, 21)	17	200/3/60
		28	230/3/60
		40	380/3/60
		46	460/3/60
		65	380/3/50
		50	400/3/50
		68	415/3/50
		58	575/3/60
		Q	Special Quote
<b>POWER</b>	Power Field (PIN 22)	D	NF Discon Switch, Lockable
		B	Circuit Breaker, Lockable
		S	Supply terminal block
		Q	Special Quote
<b>FILTER</b>	Harmonic Filter (PIN 23)	X	No Selection
		Q	Special Quote
<b>SYSPARM</b>	System Parameter (PIN 24)	X	No Selection
		Q	Special Quote
<b>CONTENCL</b>	Control Panel and VSD Enclosure Type (PIN 25)	S	Ctrl/VSD:N1/IP33, AT:N1/IP33
		Q	Special Quote
<b>NEMA</b>	Unit NEMA Type (PIN 26)	S	Unit: NEMA1 or IP20
		Q	Special Quote
<b>VSDCOOL</b>	VSD Cooling Source (PIN 27)	X	No Selection
		S	Std VSD Cooling (via. Cond)
		H	Hi-temp VSD Cooling (via. Evap)
		Q	Special Quote
<b>PANEL</b>	Panel Options (PIN 28)	X	No Selection
		Q	Special Quote
<b>BAS</b>	BAS Interface (PIN 29)	X	No Selection
		B	BAS/EMS Temp, Cur Reset/Offset
		C	BAS/EMS Current Reset/Offset
		T	BAS/EMS Temp Reset/Offset
		A	BACnet Elink (factory mounted)
		M	Modbus Elink (factory mounted)
		L	LON Elink (factory mounted)
		N	N2 Elink (factory mounted)
		Q	Special Quote

## COMPLETE PIN NUMBER DESCRIPTION (CONT'D)

FEATURE	DESCRIPTION	OPTION	DESCRIPTION
<b>LANGDESP</b>	Language Display (PIN 30)	A	English
		F	French
		S	Spanish
		G	German
		P	Portuguese
		I	Italian
		H	Hungarian
		L	Polish
<b>SAFETY</b>	Safety Code (PIN 31)	E	Chinese, Simplified
		G	China Safety Code (GB)
		C	European Safety Code ( CE )
		L	N American Safety Code (cUL/cETL)
<b>REMOTEPNL</b>	Remote Panel (PIN 32)	Q	Special Quote
		X	No Selection
<b>SEQ</b>	Sequence Kit (PIN 33)	Q	Special Quote
		X	No Selection
<b>UNLOAD</b>	Unloading (PIN 34)	S	Standard Unloading
		Q	Special Quote
<b>PIN35</b>	PIN 35	X	No Selection
		Q	Special Quote
<b>PIPING</b>	Piping Code (PIN 36)	X	No Selection
		R	Dual Relief Valves
		C	Chicago Relief Code
		Q	Special Quote
<b>METERDEV</b>	Metering Device (PIN 37)	E	EEV
		Q	Special Quote
<b>VALVE</b>	Valve Options (PIN 38)	X	No Selection
		B	Condenser Isolation Valves
		Q	Special Quote
<b>BYPASS</b>	Hot Gas Bypass (PIN 39)	X	No Selection
		Q	Special quote
<b>PIN40</b>	Liquid Injection Kit (PIN 40)	X	No Liquid Injection Kit Required
		L	Liquid Injection Kit
		Q	Special Quote
<b>REF</b>	Refrigerant (PIN 41)	A	R-134a
		D	R-134a is being deducted
<b>CPRVAR</b>	Compressor Variation (PIN 42)	W	2.3 Vi Compressor
		C	Optimized 2.3 Vi Compressor
		S	Standard 3.2 Vi Compressor
		V	Optimized 3.2 Vi Compressor
		Q	Special Quote
<b>CPRFQ</b>	Compressor Frequency (PIN 43, 44, 45)	###	Compressor Frequency
		Q Q Q	Special Quote

## COMPLETE PIN NUMBER DESCRIPTION (CONT'D)

FEATURE	DESCRIPTION	OPTION	DESCRIPTION
<b>ECON</b>	Economizer (PIN 46)	E	Economizer
		Q	Special Quote
		X	No Selection
<b>PIN47</b>	PIN 47	X	No Selection
		Q	Special Quote
<b>FLOW</b>	Flow Switch per Chiller (PIN 48)	X	No Selection
		S	One flow switch
		T	Two flow switches
		D	One diff pressure switch
		E	Two diff pressure switches
		G	One thermal dispersion switch
		H	Two thermal dispersion switches
		Q	Special Quote
<b>INS</b>	Thermal Insulation (PIN 49)	X	No Selection
		S	3/4" insulation Evaporator
		D	1-1/2" insulation Evaporator
		E	3/4" insulation Evaporator and Condenser
		C	1-1/2" ins Evaporator and 3/4" Condenser
		Q	Special Quote
<b>VESSEL</b>	Vessel Codes (PIN 50)	G	GB Pressure Vessel Codes
		E	PED Pressure Vessel Codes
		A	ASME Pressure Vessel Codes
		Q	Special Quote
<b>PIN51</b>	PIN 51	X	No Selection
		Q	Special Quote
<b>TEMP</b>	Evaporator Water Temp (PIN 52, 53)	# #	Leaving Evap Water Temp = {LWT} deg
		Q Q	Special Quote
<b>EVAP TUBETYPE</b>	Evaporator Tube Type (PIN 54, 55, 56)	321	0.025 Wall MT#321
		322	0.028 Wall MT#322
		323	0.035 Wall MT#323
		326	0.025 Wall MT#326
		327	0.028 Wall MT#327
		328	0.035 Wall MT#328
		Q Q Q	Special Quote
		<b>EVAPWB</b>	Evaporator Water Box Type (PIN 57)
M	Marine water boxes		
Q	Special Quote		
<b>EVAPCOAT</b>	Evaporator Epoxy Coating (PIN 58)	C	Compact water boxes
		Q	Special Quote
<b>EVAPHG</b>	Evaporator Hinges (PIN 59)	X	No Selection
		Q	Special Quote
<b>EVAPDWP</b>	Evaporator Waterside DWP (PIN 60)	1	150psig DWP waterside
		3	300psig DWP waterside
		Q	Special Quote

## COMPLETE PIN NUMBER DESCRIPTION (CONT'D)

FEATURE	DESCRIPTION	OPTION	DESCRIPTION
<b>EVAPPARR</b>	Evaporator Nozzle Arrangement (PIN 61)	A	AH
		H	HA
		C	CB
		K	KJ
		G	GN
		P	PF
		Q	Special Quote
<b>EVAPWBCON</b>	Evaporator Water Connection (PIN 62)	G	Groove
		D	DIN / PN weld flanges (field)
		P	DIN / PN weld flanges (factory)
		A	ANSI welded flanges (field)
		N	ANSI welded flanges (factory)
		H	HG welded flanges (factory)
		V	DIN / PN Victaulic flanges (field)
		C	ANSI Victaulic flanges (field)
		Q	Special Quote
<b>EVPPFL</b>	Evaporator Fluid (PIN 63)	W	Water
		C	Calcium Chloride
		S	Sodium Chloride
		E	Ethylene Glycol
		P	Propylene Glycol
		Q	Special Quote
<b>PIN64</b>	PIN 64	X	No Selection
		Q	Special Quote
<b>CTEMP</b>	Condenser Leaving Water Temperature (PIN 65, 66)	# #	-
		Q Q	Special Quote
<b>COND TUBETYPE</b>	Condenser Tube Type (PIN 67, 68, 69)	201	0.028 Wall MT#201
		203	0.035 Wall MT#203
		260	0.025 Wall MT#260
		261	0.028 Wall MT#261
		262	0.035 Wall MT#262
		266	0.025 Wall MT#266
		267	0.028 Wall MT#267
		268	0.035 Wall MT#268
		162	0.025 Wall MT#162
		QQQ	Special Quote
<b>CONDWB</b>	Condenser Water Box Type (PIN 70)	C	Compact Waterboxes
		M	Marine Waterboxes
		Q	Special Quote
<b>CONDCOAT</b>	Condenser Epoxy Coating (PIN 71)	X	No Selection
		C	Epoxy Endsheets & Waterboxes
		Q	Special Quote
<b>CONDHG</b>	Condenser Hinges (PIN 72)	X	No Selection
		Q	Special Quote

## COMPLETE PIN NUMBER DESCRIPTION (CONT'D)

FEATURE	DESCRIPTION	OPTION	DESCRIPTION
<b>CONDWDP</b>	Condenser Waterside DWP (PIN 73)	S	150 psig DWP waterside
		H	300 psig DWP waterside
		Q	Special Quote
<b>CNDARR</b>	Condenser Nozzle Arrangement (PIN 74)	A	AH
		H	HA
		C	CB
		K	KJ
		G	GN
		P	PF
		Q	Special Quote
<b>CONDWBCON</b>	Condenser Water Box Connection (PIN 75)	G	Groove
		D	DIN / PN welded flanges (field)
		P	DIN / PN welded flanges (factory)
		A	ANSI welded flanges (field)
		N	ANSI welded flanges (factory)
		H	HG welded flanges (factory)
		V	DIN / PN Victaulic flanges (field)
		C	ANSI Victaulic flanges (field)
		Q	Special Quote
<b>CONPFL</b>	Condenser Fluid (PIN 76)	W	Water
		C	Calcium Chloride
		S	Sodium Chloride
		E	Ethylene Glycol
		P	Propylene Glycol
		Q	Special Quote
<b>PIN 77</b>	Cond Design Pressure (PIN 77)	L	Low Pressure
		M	Medium Pressure
		H	High Pressure
<b>NOISERDCT</b>	Noise Reduction Kit (PIN 78)	X	No Selection
		B	Sound Kit #1
		C	Sound Kit #2
		D	Sound Kit #3
		Q	Special Quote
<b>ISOL</b>	Vibration Isolation (PIN 79)	X	No Selection
		E	Elastomeric pad
		1	1 in Deflection Spring Isolation
		Q	Special Quote
<b>PAINT</b>	Paint Options (PIN 80)	S	Caribbean Blue
		Q	Special Quote
<b>STRMOD</b>	Structural Modification (PIN 81)	X	Standard Unit
		Q	Special Quote
<b>PIN 82</b>	PIN 82	X	No Selection
		Q	Special Quote

## LIST OF TABLES

<b>TABLE 1</b> - Unit Components .....	15
<b>TABLE 2</b> - Oil Separator .....	16
<b>TABLE 3</b> - Condenser .....	18
<b>TABLE 4</b> - Evaporator .....	19
<b>TABLE 5</b> - Unit Piping for Single System .....	20
<b>TABLE 6</b> - Unit Piping for Dual Systems .....	25
<b>TABLE 7</b> - Unit Steel Piping for Single Systems .....	31
<b>TABLE 8</b> - Unit Steel Piping for Dual Systems .....	33
<b>TABLE 9</b> - Compressor .....	35
<b>TABLE 10</b> - Compressor Step VI Piping .....	37
<b>TABLE 11</b> - Relief Valves Single Circuit .....	39
<b>TABLE 12</b> - Relief Valves Dual Circuit .....	42
<b>TABLE 13</b> - Condenser Compact (PIN 70=C) Waterbox Gaskets .....	45
<b>TABLE 14</b> - Condenser Epoxy Coated (PIN 71=C) Compact (PIN 70=C) Waterbox Gaskets .....	46
<b>TABLE 15</b> - Condenser Marine (PIN 70=M) Waterbox Gaskets .....	47
<b>TABLE 16</b> - Condenser Epoxy Coated (PIN 71=C) Marine (PIN 70=M) Waterbox Gaskets .....	48
<b>TABLE 17</b> - Evaporator Compact (PIN 57=C) Waterbox Gaskets .....	49
<b>TABLE 18</b> - Evaporator Marine (PIN 57=M) Waterbox Gaskets .....	50
<b>TABLE 19</b> - Condenser Tubes (PIN 50=G) .....	51
<b>TABLE 20</b> - Condenser Tubes (PIN 50=A/E) .....	52
<b>TABLE 21</b> - Evaporator Tubes (PIN 50=G) .....	54
<b>TABLE 22</b> - Evaporator Tubes (PIN 50=A/E) .....	55
<b>TABLE 23</b> - VSD Single System Frame B (PIN 20 & 21 = 50) (Common) .....	56
<b>TABLE 24</b> - VSD Single System Frame B (PIN 20 & 21 = 50) (Model Specific) .....	57
<b>TABLE 25</b> - VSD Single System Frame B (Common) .....	62
<b>TABLE 26</b> - VSD Single System Frame B (Model Specific) .....	64
<b>TABLE 27</b> - VSD Single System Frame D (PIN 20 & 21 = 50) (Common) .....	69
<b>TABLE 28</b> - VSD Single System Frame D (PIN 20 & 21 = 50) (Model Specific) .....	70
<b>TABLE 29</b> - VSD Single System Frame D (Common) .....	74
<b>TABLE 30</b> - VSD Single System Frame D (Model Specific) .....	76
<b>TABLE 31</b> - VSD Single System Service Kits .....	82
<b>TABLE 32</b> - VSD NF Disconnect Switch Dual System (Common) .....	83
<b>TABLE 33</b> - VSD NF Disconnect Switch Dual System (Model Specific) .....	85
<b>TABLE 34</b> - VSD Circuit Breaker Dual System (Common) .....	87
<b>TABLE 35</b> - VSD Circuit Breaker Dual System (Model Specific) .....	89
<b>TABLE 36</b> - VSD Supply Terminal Block Dual System (Model Specific) .....	91
<b>TABLE 37</b> - VSD Supply Terminal Block (Common) .....	93
<b>TABLE 38</b> - VSD Supply Terminal Block Dual System (Model Specific) .....	95
<b>TABLE 39</b> - VSD Dual System Service Kits .....	97
<b>TABLE 40</b> - VSD Dual System Service Kit Components .....	98
<b>TABLE 41</b> - VSD Installation / Cooling Single System .....	103
<b>TABLE 42</b> - VSD Installation / Cooling Dual System .....	106
<b>TABLE 43</b> - Neoprene Pad Isolators .....	109
<b>TABLE 44</b> - Spring Isolators .....	109
<b>TABLE 45</b> - Power Wiring Single System .....	110
<b>TABLE 46</b> - Power Wiring Dual Systems .....	113

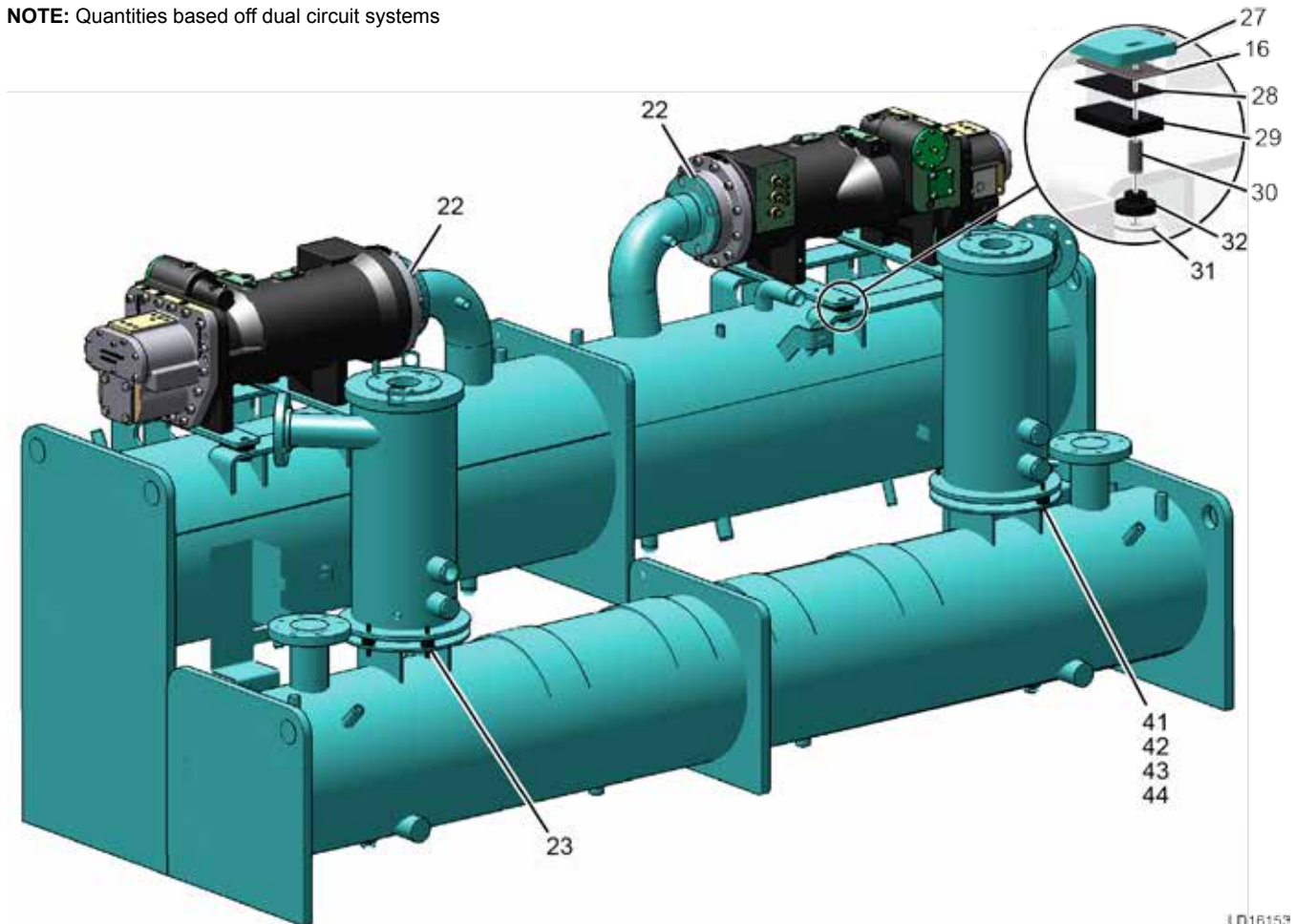
## LIST OF TABLES

<b>TABLE 47</b> - Control Panel .....	117
<b>TABLE 48</b> - Junction Box .....	120
<b>TABLE 49</b> - Control Wiring Single System (Common).....	121
<b>TABLE 50</b> - Control Wiring Single System (Harness).....	123
<b>TABLE 51</b> - Control Wiring Dual System (Common) .....	127
<b>TABLE 52</b> - Control Wiring Dual System (Harness).....	128
<b>TABLE 53</b> - Liquid Injection Wiring (Optional).....	135
<b>TABLE 54</b> - Step VI Wiring (Optional).....	136
<b>TABLE 55</b> - Eco Drain Wiring (Optional).....	137
<b>TABLE 56</b> - Flow Switches.....	137
<b>TABLE 57</b> - Heatpump Jumper Kit (Optional) .....	137
<b>TABLE 58</b> - Noise Reduction .....	138
<b>TABLE 59</b> - Language Kits.....	140
<b>TABLE 60</b> - Compounds and Abrasives.....	140
<b>TABLE 61</b> - E-Link .....	141
<b>TABLE 62</b> - Autotransformer .....	141
<b>TABLE 63</b> - SI Metric Conversion .....	143

**TABLE 1 - UNIT COMPONENTS**

ITEM	DESCRIPTION	YORK PART NUMBER	SAP PART NUMBER	QUANTITY	FIGURE
16	Adjustable Shim Assembly	392-02243-000	701910	4	1
	Adjust Shim 105T55 T=0.6	092-02242-001	709749	4	
	Adjust Shim 105T55 T=1.0	092-02242-002	709753	4	
	Adjust Shim 105T55 T=1.5	092-02242-003	709754	4	
	Adjust Shim 105T55 T=3.2	092-02242-004	709755	4	
22	Gasket, Ansi 5-150#	028-15075-211	710159	2	1
23	Isolator, 1-1/2" Dia X 1" Lg (Prior to 5/12)	028-09239-001	741531	8	1
27	Support, Compressor (Prior to 5/12)	028-16655-000	836142	8	1
28	Shim, Adjustment	028-16361-000	742204	8	1
29	Front, Rubber Cushion	028-16362-000	742205	8	1
30	Limit, Steel Tube	092-06560-000	836143	8	1
31	Washer	028-16359-000	742202	8	1
32	Bottom Rubber Cushion	028-16360-000	742203	8	1
41	Shim Assembly, Support (After 5/12)	392-10617-000	862491	8	1
42	Shim, Support (After 5/12)	092-10611-000	862309	16	1
43	Rubber Cushion, Support (After 5/12)	028-16693-000	862304	8	1
44	Limit, Steel Tube Support (After 5/12)	092-10618-000	862310	8	1

**NOTE:** Quantities based off dual circuit systems




**FIGURE 1 - UNIT COMPONENTS**

**TABLE 2 - OIL SEPARATOR**

ITEM	DESCRIPTION	YORK PART NUMBER	SAP PART NUMBER	QUANTITY	FIGURE
<b>SINGLE COMPRESSOR, PIN 50 A = ASME, PIN 77 L = LOW PRESSURE</b>					
-	OIL SEPARATOR (ASME)	392-10609-000	1039292	1	2
3	O-Ring, Neo1, 2.09"ID, 0.118"THK	028-12961-036	618660	2	
4	Plug, Sight 2-1/4"-12 UN-2A	023-17197-000	146345	2	
<b>SINGLE COMPRESSOR, PIN 50 A = ASME, PIN 77 H = HIGH PRESSURE</b>					
-	OIL SEPARATOR (ASME)	392-06492-000	901793	1	2
3	O-Ring, Neo1, 2.09"ID, 0.118"THK	028-12961-036	618660	2	
4	Plug, Sight 2-1/4"-12 UN-2A	023-17197-000	146345	2	
<b>SINGLE COMPRESSOR, PIN 50 E = PED, PIN 77 L = LOW PRESSURE</b>					
-	OIL SEPARATOR (ASME)	392-10609-900	1065018	1	2
3	O-Ring, Neo1, 2.09"ID, 0.118"THK	028-12961-036	618660	2	
4	Plug, Sight 2-1/4"-12 UN-2A	023-17197-000	146345	2	
<b>SINGLE COMPRESSOR, PIN 50 E = PED, PIN 77 H = HIGH PRESSURE</b>					
-	OIL SEPARATOR (ASME)	392-06492-900	1040753	1	2
3	O-Ring, Neo1, 2.09"ID, 0.118"THK	028-12961-036	618660	2	
4	Plug, Sight 2-1/4"-12 UN-2A	023-17197-000	146345	2	
<b>DUAL COMPRESSOR, PIN 50 G = GB</b>					
-	OIL SEPARATOR (GB)	392-11978-800	995108	1	2
3	O-Ring, Neo1, 2.09"ID, 0.118"THK	028-12961-036	618660	2	
4	Plug, Sight 2-1/4"-12 UN-2A	023-24910-000	733995	2	
-	OIL SEPARATOR (GB)	392-11985-800	995198	1	
3	O-Ring, Neo1, 2.09"ID, 0.118"THK	028-12961-036	618660	2	
4	Plug, Sight 2-1/4"-12 UN-2A	023-17197-000	146345	2	
<b>DUAL COMPRESSOR, PIN 50 A = ASME, PIN 77 L = LOW PRESSURE</b>					
-	OIL SEPARATOR (ASME)	392-11978-000	1129371	1	2
3	O-Ring, Neo1, 2.09"ID, 0.118"THK	028-12961-036	618660	2	
4	Plug, Sight 2-1/4"-12 UN-2A	023-17197-000	146345	2	
-	OIL SEPARATOR (ASME)	392-11985-000	1129363	1	
3	O-Ring, Neo1, 2.09"ID, 0.118"THK	028-12961-036	618660	2	
4	Plug, Sight 2-1/4"-12 UN-2A	023-17197-000	146345	2	
<b>DUAL COMPRESSOR, PIN 50 A = ASME, PIN 77 M OR H = MEDIUM PRESSURE OR HIGH PRESSURE</b>					
-	OIL SEPARATOR (ASME)	392-21390-000	1171880	1	2
3	O-Ring, Neo1, 2.09"ID, 0.118"THK	028-12961-036	618660	2	
4	Plug, Sight 2-1/4"-12 UN-2A	023-17197-000	146345	2	
-	OIL SEPARATOR (ASME)	392-21391-000	1171882	1	
3	O-Ring, Neo1, 2.09"ID, 0.118"THK	028-12961-036	618660	2	
4	Plug, Sight 2-1/4"-12 UN-2A	023-17197-000	146345	2	
<b>DUAL COMPRESSOR, PIN 50 E = PED, PIN 77 L = LOW PRESSURE</b>					
-	OIL SEPARATOR (PED)	392-11978-900	1171856	1	2
3	O-Ring, Neo1, 2.09"ID, 0.118"THK	028-12961-036	618660	2	
4	Plug, Sight 2-1/4"-12 UN-2A	023-17197-000	617564	2	
-	OIL SEPARATOR (PED)	392-11985-900	1171857	1	
3	O-Ring, Neo1, 2.09"ID, 0.118"THK	028-12961-036	618660	2	
4	Plug, Sight 2-1/4"-12 UN-2A	023-17197-000	617564	2	

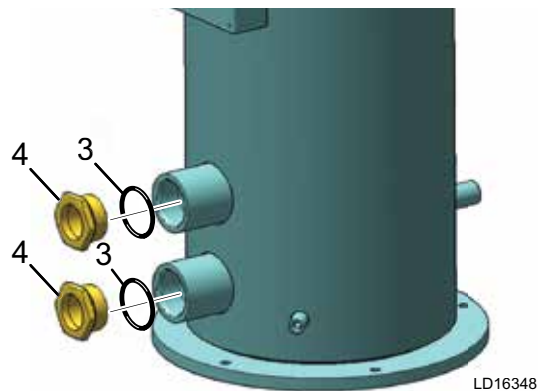
**TABLE 2 (CONT'D) - OIL SEPARATOR**

ITEM	DESCRIPTION	YORK PART NUMBER	SAP PART NUMBER	QUANTITY	FIGURE
<b>DUAL COMPRESSOR, PIN 50 E = PED, PIN 77 M OR H = MEDIUM PRESSURE OR HIGH PRESSURE</b>					
-	OIL SEPARATOR (PED)	392-21390-900	1171881	1	2
3	O-Ring, Neo1, 2.09"ID, 0.118"THK	028-12961-036	618660	2	
4	Plug, Sight 2-1/4"-12 UN-2A	023-17197-000	617564	2	
-	OIL SEPARATOR (PED)	392-21391-900	1171883	1	
3	O-Ring, Neo1, 2.09"ID, 0.118"THK	028-12961-036	618660	2	
4	Plug, Sight 2-1/4"-12 UN-2A	023-17197-000	617564	2	



**NOTE**

*Refer to the Oil Separator Nameplate to identify which Oil Separator the unit is equipped with.*

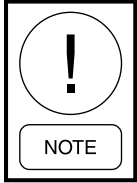


**FIGURE 2 - OIL SEPARATOR**

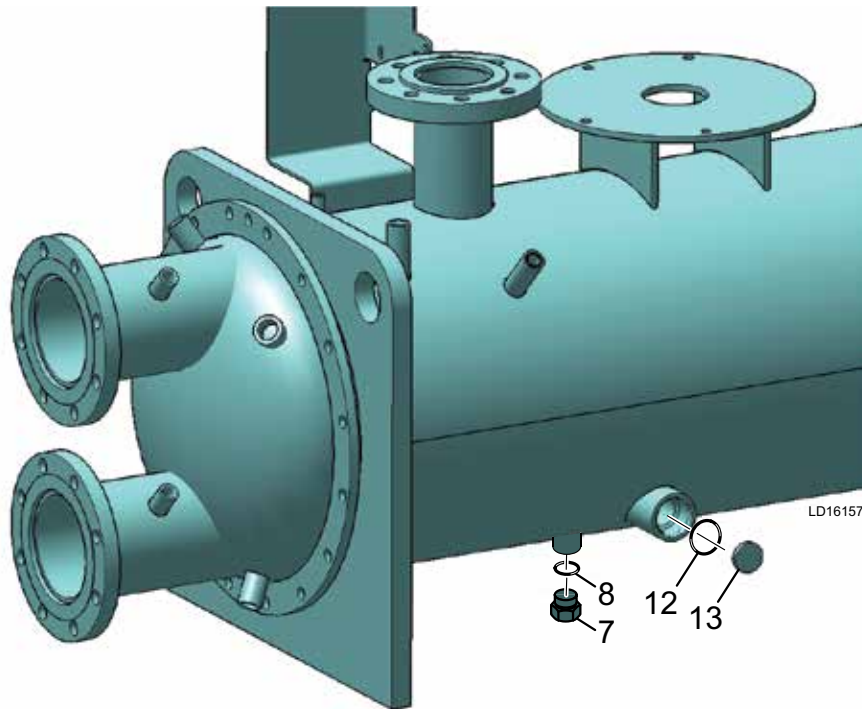
**TABLE 3 - CONDENSER**

ITEM	DESCRIPTION	YORK PART NUMBER	SAP PART NUMBER	QUANTITY	FIGURE
7	Plug, Hex Head 1-5/16" (ASME/PED)	023-18282-000	146271	2	3
	Plug, Threaded 1-5/16"-12UN-2A (GB)	023-25252-000	734179		
8	O-Ring, Neo1, 1.171"ID, 0.116"THK	028-12961-008	588822	2	3
12	O-Ring, Neo1, 2.09"ID, 0.118"THK	028-12961-036	618660	2	3
13	Plug, Sight 2-1/4"-12UN-2A (ASME/PED)	023-17197-000	146345	2	3
	Plug, Sight 2-1/4"-12UN-2A (GB)	023-24910-000	733995		

**Note:** Quantities based off dual circuit systems



*Refer to PIN 50 to identify which vessel the unit is equipped with.*



**FIGURE 3 - CONDENSER**

**TABLE 4 - EVAPORATOR**

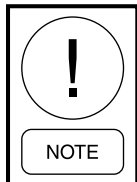
ITEM	DESCRIPTION	YORK PART NUMBER	SAP PART NUMBER	QUANTITY	FIGURE
18	O-Ring, Neo1, 2.09"ID, 0.118"THK	028-12961-036	618660	2	4
19	Plug, Sight 2-1/4"-12UN-2A (ASME/PED)	023-17197-000	146345	2	4
	Plug, Sight 2-1/4"-12UN-2A (GB)	023-24910-000	733995	2	
22**	O-Ring, Neo1, 0.924"ID, 0.116THK M (ASME/PED)	028-12961-006	588821	1	*
23**	Plug, Hex Head 1-1/16" (ASME/PED)	023-18295-000	146284	1	*
26***	O-Ring, Neo, 1.17"ID, 0.116"THK (GB)	028-12961-008	588822	2	4
	O-Ring, Neo1, 0.924"ID, 0.116THK M (ASME/PED)	028-12961-006	588821	2	
27***	Plug, Threaded 1-5/16"-12UN (GB)	023-25252-000	734179	2	4
	Plug, Hex Head 1-1/16" (ASME/PED)	023-18295-000	146284	2	

**NOTE:** Quantities based off dual circuit systems

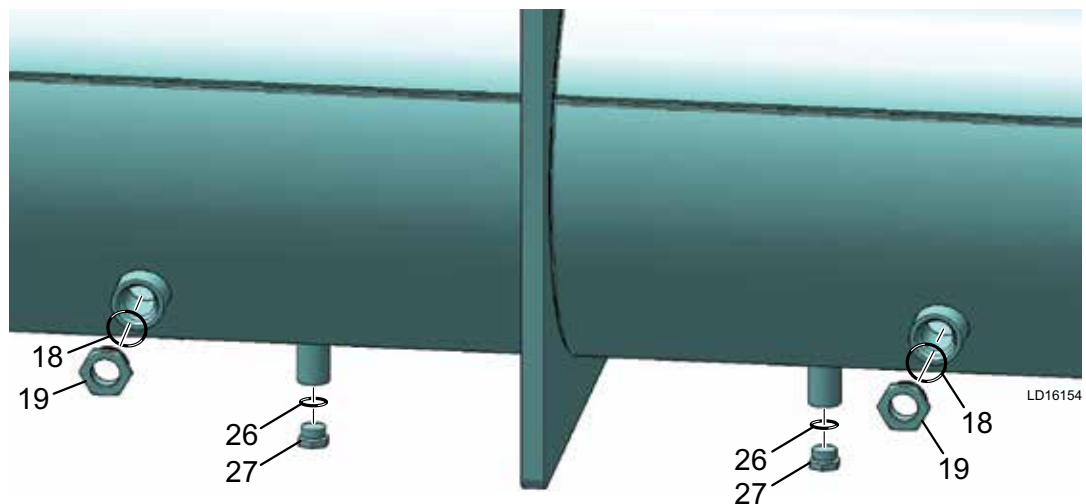
\* Item not illustrated

\*\* Applies to single circuit only

\*\*\* Applies to dual circuit only



**Refer to PIN 50 to identify which vessel the unit is equipped with.**



**FIGURE 4 - EVAPORATOR**

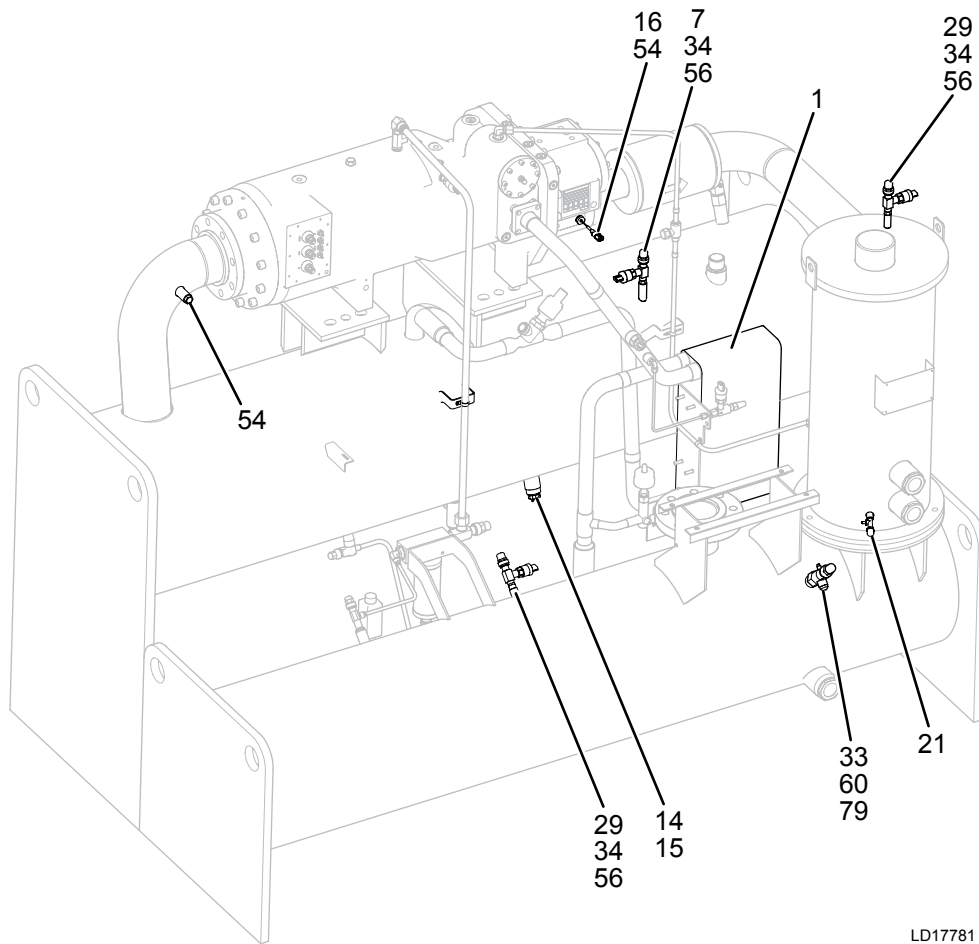
**TABLE 5 - UNIT PIPING FOR SINGLE SYSTEM**

ITEM	DESCRIPTION	PART NUMBER	SAP	QUANTITY	FIGURE
1	PLATE HEAT EXCHANGER ASSY WTS145 (FX)	392-06489-000	719429	1	5,7
	Valve, R-410a OD 22.23mm / 7/8" Brazed	025-45331-001	844373	1	
1	PLATE HEAT EXCHANGER ASSY WTS145 HP (FX LIQUID INJECTION KIT)	392-06489-001	1042790	1	5,7
	Valve, R-410a OD 22.23mm / 7/8" Brazed	025-45331-001	844373	1	
1	PHE ASSY WTS151 HP (GX LIQUID INJECTION KIT)	392-06543-001	1042791	1	5,7
	Valve, R-410a OD 22.23mm / 7/8" Brazed	025-45331-001	844373	1	
	Valve, Solenoid 3/8" ODF Conn	025-42198-000	435830	1	
1	PHE ASSY WTS151 (GX)	392-06543-002	1082274	1	5,7
	Valve, R-410a OD 22.23mm / 7/8" Brazed	025-45331-001	844373	1	
2	Liquid Level Transmitter Assy	392-02714-001	689851	1	6
3	Level Transducer, 4-20ma L=131mm Threaded	-	-	1	6
4	Oil Eductor	026-45399-000	741220	1	7
5	Filter, Drier 1"-14UN-2A	026-32839-000	1477	1	7
6	Valve, Stop Angle Vertical	022-10047-000	617115	1	7
7	Transducer, 0-125 PSI	025-29583-001	128531	1	5
11	Valve, R-410a OD 41.27mm / 1-5/8" Brazed	025-45331-003	844375	1	7
13	Valve, Ball 1-1/16"-12UN-2A	022-09757-000	62507	2	6
14	O-Ring, Neo1, 0.924"ID 0.116"THK M	028-12961-006	588821	6	5,6,7
15	Sensor, Temperature 3000 Ohms	025-39517-000	118035	3	5,6,7
16	Sensor, Temperature Dxs Screw	025-32924-000	738772	1	5
17	Plate	075-92632-000	761189	1	7
18	Connector	075-92633-000	761190	1	7
19	Valve, Stop Angle Vertical	022-10054-000	617117	1	7
20	Valve, Stop Angle Horizontal	022-09756-000	731279	1	7
21	Valve, Stop Angle 1/4" NPTE	022-00009-000	257712	1	5
22	Elbow, 3/8"OD Tube 90 Deg Male	023-18981-000	146247	3	7
23	Adapter, Straight 1"-14UN-2B	023-19030-000	146209	1	7
24	Valve, Ang Sc Stop Needle 1/4"	025-45607-000	61253	1	7
25	Transducer, 0-275 PSI	025-29139-003	251762	1	7
26	Fitting, Female Bulkhead 1/4"ODT Swagelok	023-25495-000	734229	1	7
27	Elbow, 1/4"OD Tube 90 Deg T Thd	025-45606-000	113858	1	7
28	Adapter, M X F 3/4"-16UNF	023-18225-000	146300	1	6
29	Transducer, 0-400 PSI, 5v Input	025-29139-001	738264	3	5,6
30	Elbow, 3/4"OD Tube 90 Deg Male	023-21937-000	146081	1	7
31	Elbow, 1/2" ODTube 90 Deg Male	023-18982-000	146248	2	7
32	Valve, Ball 1/2" OD (C X C)	022-09172-000	731238	1	7
33	Valve, Stop Angle Vertical	022-09573-000	617077	2	5,6,7
34	Valve, Stop Angle Vertical	022-11858-000	540201	3	5
37	O-Ring 2-139 DXS Screw	028-13963-000	741865	1	7
45	Transducer Tube	092-17144-000	1056934	1	6
46	Transducer Tube	092-17145-000	1056935	1	6
47	Sleeve, 3/4" OD Tube	023-18284-000	146273	2	7
48	Nut, 3/4" OD Tube	023-18286-000	146275	2	7
49	O-Ring, Neo1, 0.739"ID 0.070"THK M	028-12961-015	618651	2	7

**TABLE 5 (CONT'D) - UNIT PIPING FOR SINGLE SYSTEM**

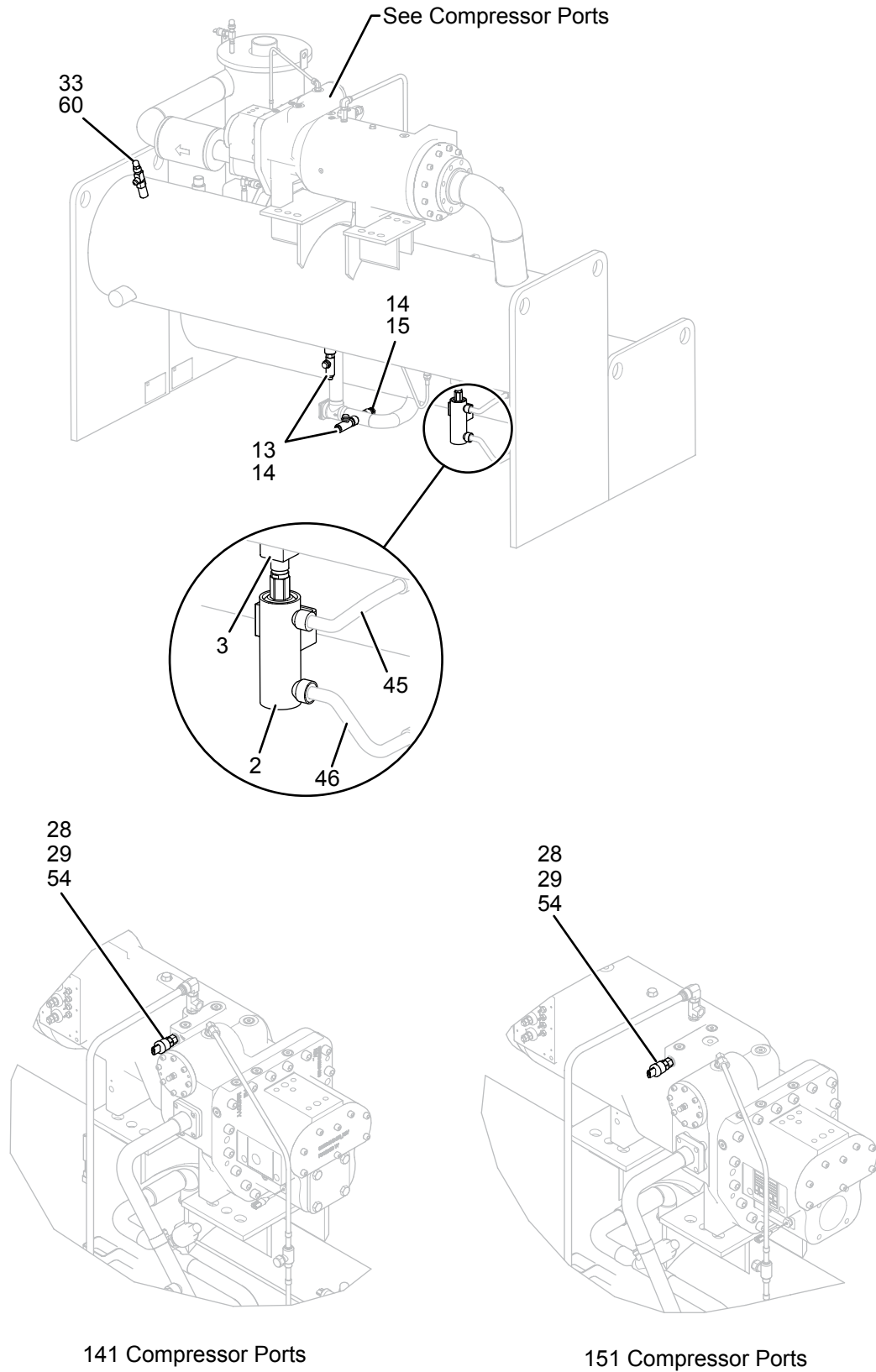
ITEM	DESCRIPTION	PART NUMBER	SAP	QUANTITY	FIGURE
50	Seal, Teflon Fiber 3/4" OD	028-12709-000	618637	3	7
51	Nut, 3/8" OD Tube	023-18977-000	146243	7	7
52	Sleeve, 3/8" OD Tube	023-18978-000	146244	7	7
53	O-Ring, Neo1, 0.364"ID 0.070"THK M	028-12961-012	618648	7	7
54	O-Ring, Neo1, 0.644"ID 0.087"THK M	028-12961-004	588819	11	5,6,7
55	O-Ring, Neo1, 0.468"ID 0.078"THK M	028-12961-003	588818	1	7
56	O-Ring, Neo1, 0.468"ID 0.078"THK M	028-12961-001	588817	4	5,7
57	Nut, 1/2" OD Tube	023-18984-000	146250	2	7
58	Sleeve, 1/2" OD Tube	023-18985-000	146251	2	7
59	O-Ring, Neo1, 0.489"ID 0.070"THK M	028-12961-013	618649	2	7
60	Gasket, Seal 1" OD X 7/8" ID	028-04836-000	62960	2	5,6
66	Plug, Threaded 3/4"-16UNF-2A (Pin 40=X)	023-25226-000	734168	1	*
	Connector, 3/8"OD Tube Male (Pin 40=L)	023-18992-000	146252	1	
67	Sensor, Temperature 3000 Ohms At 25	025-28935-000	738242	1	7
79	Gasket, Flange 3/4" OD Tube	028-09211-000	618602	4	5
81	Solenoid Valve, Parker (Pin 40=L)	025-46328-000	1053246	1	*
82	Special Adapter / Connector 1.125" (Pin 40=L)	023-25578-000	844372	1	*
88	Tee Assy (Pin 40=L)	392-16564-000	1042792	1	7
95	Plug, Threaded 3/4"-16UNF-2A	023-25226-000	734168	1	7
96	Steel Bushing For Form 7 (Pin 84=7)	092-06453-000	851993	1	*
98	Gasket, Round ANSI 1.50-150# (Pin 84=7)	028-15075-005	741974	1	*
104	Union, 3/8" ORFS-ORFS (Pin 40=S Or V & Pin 84=7)	023-20258-000	278990	1	*

**NOTE:** Items with an \* are NOT represented.



LD17781

**FIGURE 5 - UNIT PIPING FOR SINGLE SYSTEM**



**FIGURE 6 - UNIT PIPING FOR SINGLE SYSTEM**



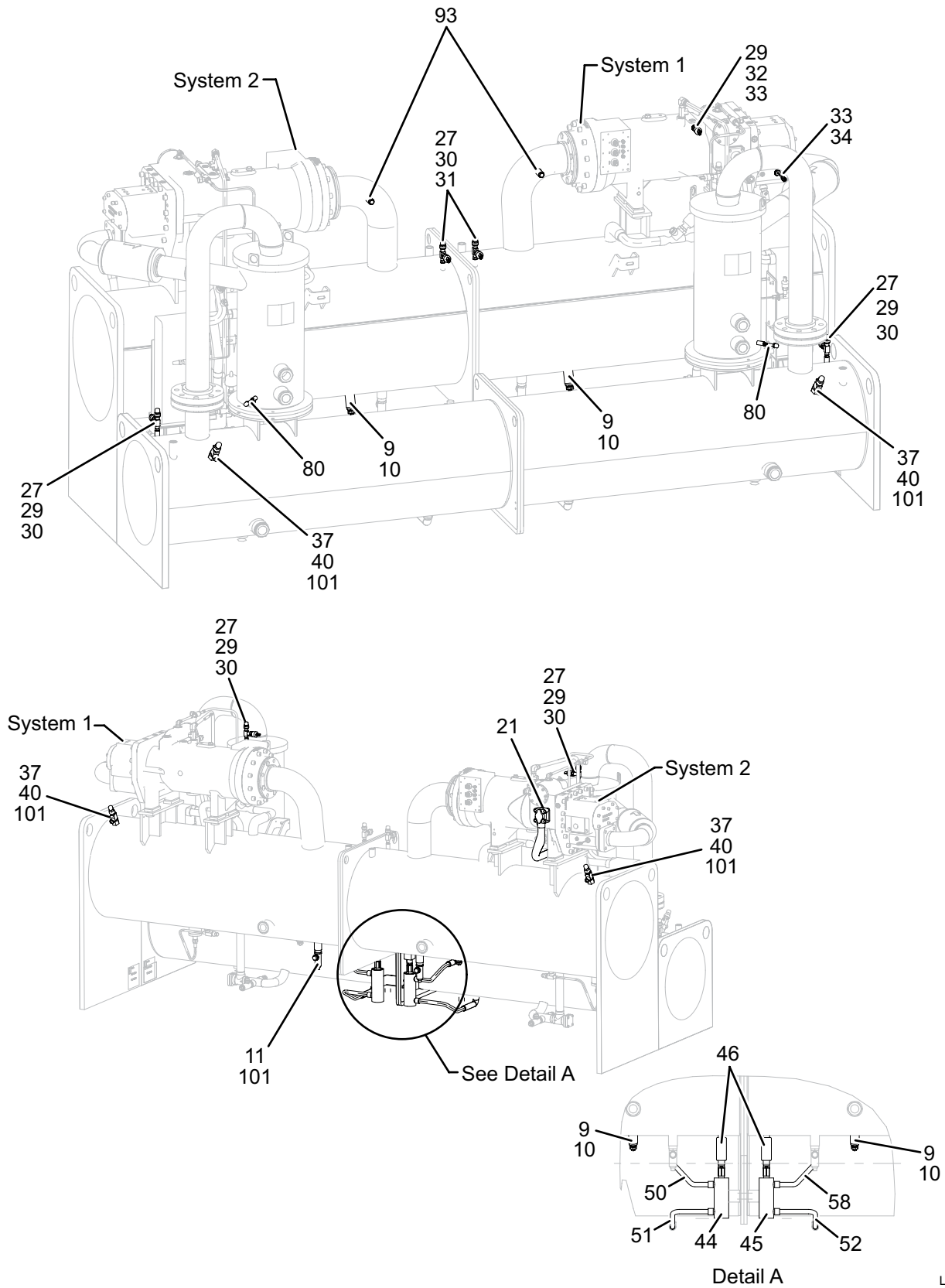
**TABLE 6 - UNIT PIPING FOR DUAL SYSTEMS**

ITEM	DESCRIPTION	YORK PART NUMBER	SAP PART NUMBER	QUANTITY	FIGURE
6	PHE ASSY SYSTEM1 CTS136 / WTS136	-	-	-	12
6a	Plate Heat Exchanger, P80x64 Swep	026-46822-000	689246	1	11
6d	Valve, R-410a OD 22.23mm / 7/8in Brazed	025-45331-001	844373	1	11
6	PHE ASSY SYSTEM1 CTS145 / WTS145	-	-	-	10
6a	Plate Heat Exchanger, P80x80 Swep	026-46180-000	709193	1	11
6d	Valve, R-410a OD 22.23mm / 7/8in Brazed	025-45331-001	844373	1	11
7	PHE ASSY SYSTEM2 CTS136 / WTS136	-	-	-	11,12
7a	Plate Heat Exchanger, P80x64 Swep	026-46186-000	741308	1	11
7	PHE ASSY SYSTEM2 CTS145 / WTS145	-	-	-	10,11
7a	Plate Heat Exchanger, P80x80 Swep	026-46821-000	689245	1	11
7d	Valve, R-410a OD 22.23mm / 7/8in Brazed	025-45331-001	844373	1	11
9	Sensor, Temperature, 3000 Ohms	025-39517-000	118035	6	8
10	O-Ring, Neo1 0.924"ID 0.116"THK	028-12961-006	588821	12	8
11	Valve, Ball 1-1/16 - 12 Un-2a	022-09757-000	62507	4	8
12	O-Ring, Neo1 0.468"ID 0.078"THK	028-12961-003	588818	2	9
17	Valve, R-410a OD 41.27mm / 1-5/8in Brazed	025-45331-003	844375	2	9
21	Valve, Angle Compr	022-11358-000	731384	1	8
24	O-Ring, 2-139	028-13963-000	741865	2	9
27	Valve, Stop Angle Vertical	022-11858-000	540201	6	8
28	Transducer, 0-275 PSI	025-29139-003	251762	2	9
29	Transducer, 0-400 PSI, 5v Input	025-29139-001	738264	6	8
30	O-Ring, Neo1 0.351"ID 0.072"THK	028-12961-001	588817	8	8
31	Transducer, 0-125 PSI	025-29583-001	128531	2	8
32	Adapter, M X F 3/4"-16UNF	023-18225-000	146300	2	8
33	O-Ring, Neo1 0.644"ID 0.087"THK	028-12961-004	588819	22	8,9
34	Sensor, Temperature	025-32924-000	738772	2	8
36	Sensor, Temperature, 3000 Ohms	025-28935-000	738242	2	9
37	Valve, Stop Angle Vertical	022-09573-000	617077	4	8
39	Insulator, Thermal 7/8" ID X 1/2"	010-03828-000	728799	1	9
40	Gasket, Seal 1" OD X 7/8" ID	028-04836-000	62960	4	8
43	Eco Main Inlet Pipe Yvwa	092-06478-000	769096	2.000	9
44	Liquid Level Transmitter Assy	392-02714-002	703798	1	8
45	Liquid Level Transmitter Assy	392-02714-001	689851	1	8
46	Sensor, Level, Peek 6" Asm	325-44846-001	1150611	2	8
47	Valve, Stop Angle Vertical	022-10047-000	617115	2	9
49	O-Ring, Neo1 0.739"ID 0.070"THK	028-12961-015	618651	4	9
50	Liquid Level Sensor, System 2 Top Tube	092-16953-000	1056932	1	8
51	Liquid Level Sensor, System 2 Bottom Tube	092-16955-000	1056933	1	8
52	Liquid Level Sensor, System 1 Bottom Tube	092-16952-000	1056931	1	8
54	Valve, Stop Angle Vertical	022-10054-000	617117	2	9
55	O-Ring, Neo1 0.364"ID 0.070"THK	028-12961-012	618648	14	9
58	Liquid Level Sensor, System 1 Top Tube	092-16951-000	1056800	1	8
60	Elbow 1/4Odt 90 Deg T Thd	025-45606-000	113858	2.000	9
61	Ftg Fem Bulkhd 1/4Odt Swagelok	023-25495-000	734229	2.000	9

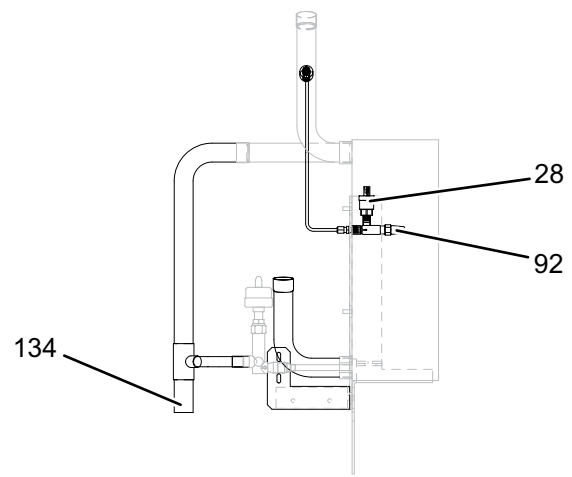
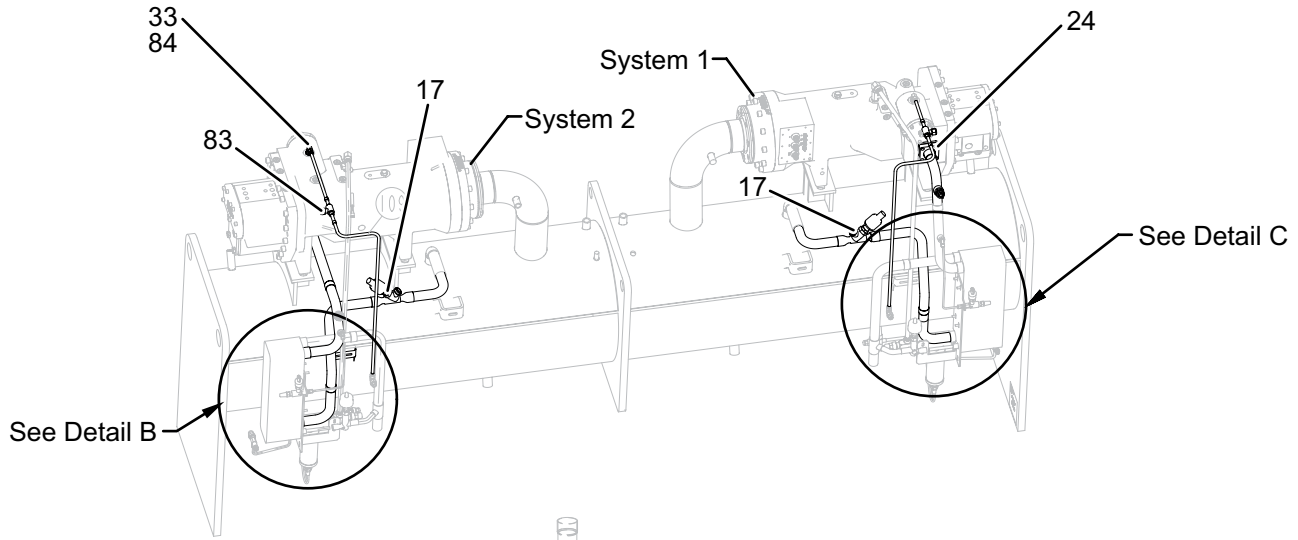
**TABLE 6 (CONT'D) - UNIT PIPING FOR DUAL SYSTEMS**

ITEM	DESCRIPTION	YORK PART NUMBER	SAP PART NUMBER	QUANTITY	FIGURE
65	Oil, Eductor	026-45399-000	741220	2	9
66	Elbow 3/8 O.d.tube 90 Deg Male	023-18981-000	146247	6	9
67	Seal, Teflon Fiber 3/4" OD	028-12709-000	618637	6	9
68	Filter, Drier 1"-14UN-2A	026-32839-000	1477	2	9
70	1/2" Eductor Return Pipe Sys-1	092-02735-000	817029	1	9
71	Valve, Stop Angle Horizontal	022-09756-000	731279	2	9
74	3/4" Eductor Return Pipe Sys-1	092-02745-000	817027	1	9
75	Elbow 3/4 O.d.tube 90 Deg Male	023-21937-000	146081	2	9
80	Valve, Stop Ang 1/4 Npte	022-00009-000	257712	2	8
83	Valve, Ball 1/2 Od (C X C)	022-09172-000	731238	2	9
84	O-Ring, Neo1 0.489"Id 0.070"Thk	028-12961-013	618649	4	9
92	Valve, Ang Sc Stop Needle 1/4	025-45607-000	61253	2	9
93	Plug, Threaded 3/4"-16Unf-2A (Pin 40=X)	023-25226-000	734168	2	8
96	Solenoid, Valve	025-46328-000	1053246	2	11
101	Gasket, Flange 3/4" Od Tube	028-09211-000	618602	8	8
104	1/2" Eductor Inlet Pipe Sys-1	092-02734-000	817031	2	9
105	1/2" Eductor Return Pipe Sys-2	092-02701-000	817028	1	9
110	1/4" Temp Sensor Pipe Sys-2	092-02755-000	817032	1	9
115	Gasket, Round Ansi 1.50-150#	028-15075-005	741974	3	12
121	Support Plate For Eev Sys2 Ywva	092-10695-000	1042531	1	9
122	Clamp Tube 7/8 Id	075-50979-078	518760	2	9
129	Valve, Solenoid 3/8" Odf Conn	025-42198-000	435830	2	10
133	Eco Minor Inlet Pipe Ywva	092-10698-000	1042534	2	9
134	Kit, Connect Pipe	392-16950-000	1046105	2	9
137	Tee Unf(F) 0.750In Unf(F) 0.750In Unf(M)	023-25549-000	827494	2	9
138	Plug Threaded 3/4-16Unf-2A	023-25226-000	734168	2	9

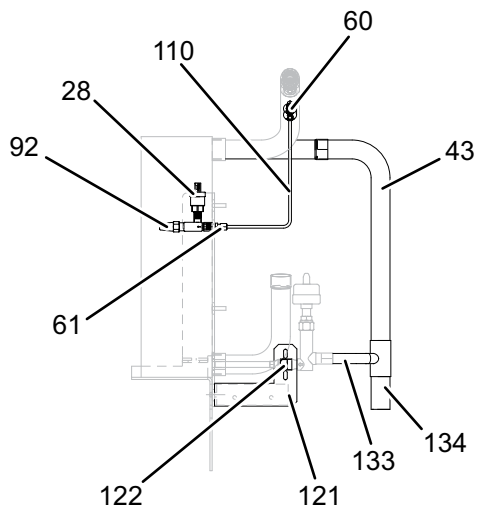
**NOTE:** Before installing item 130 & 131, Need to remove nuts and washers from the PHE kit, then reinstall them.



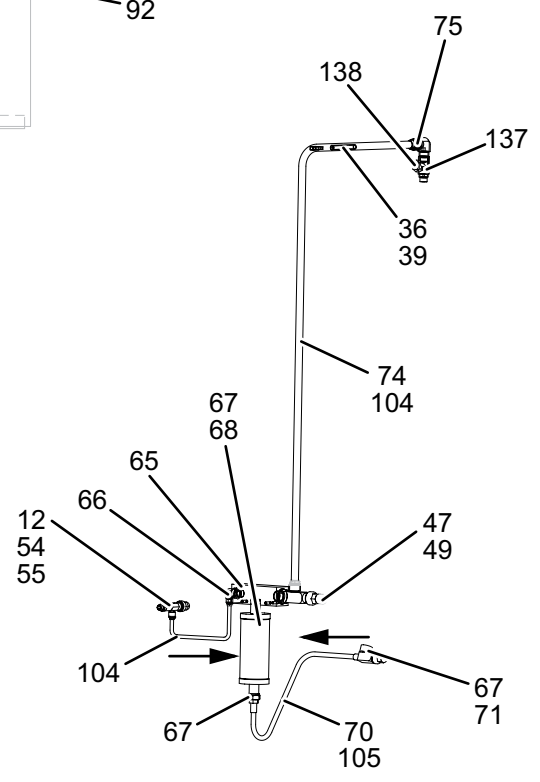
**FIGURE 8 - UNIT PIPING FOR DUAL SYSTEMS**



Detail C



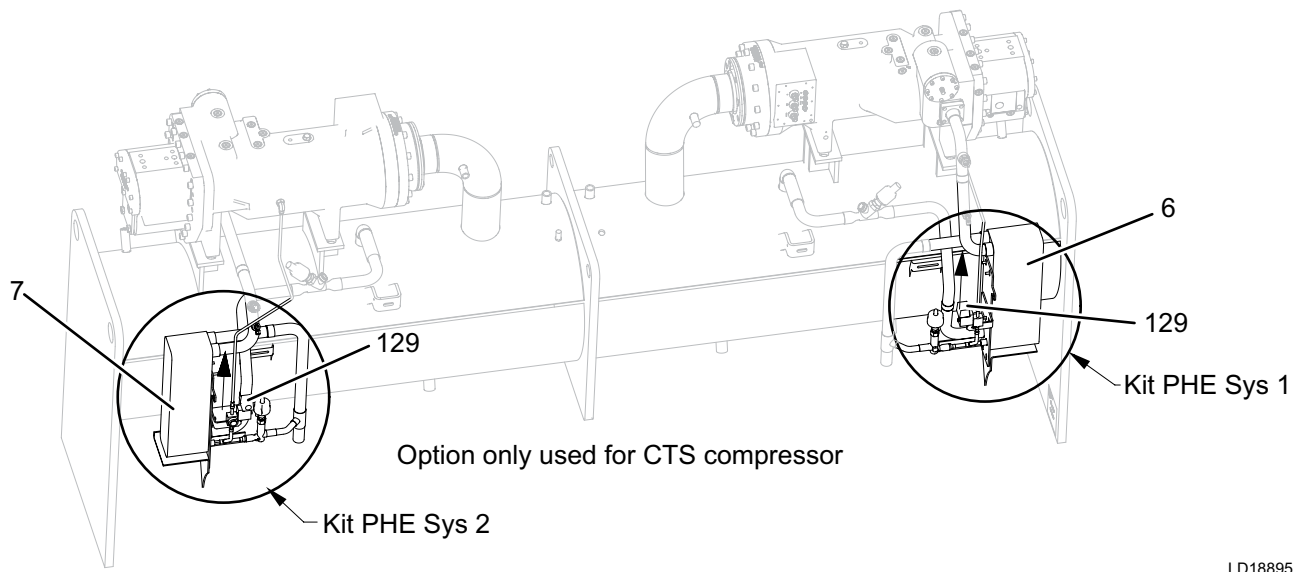
Detail B



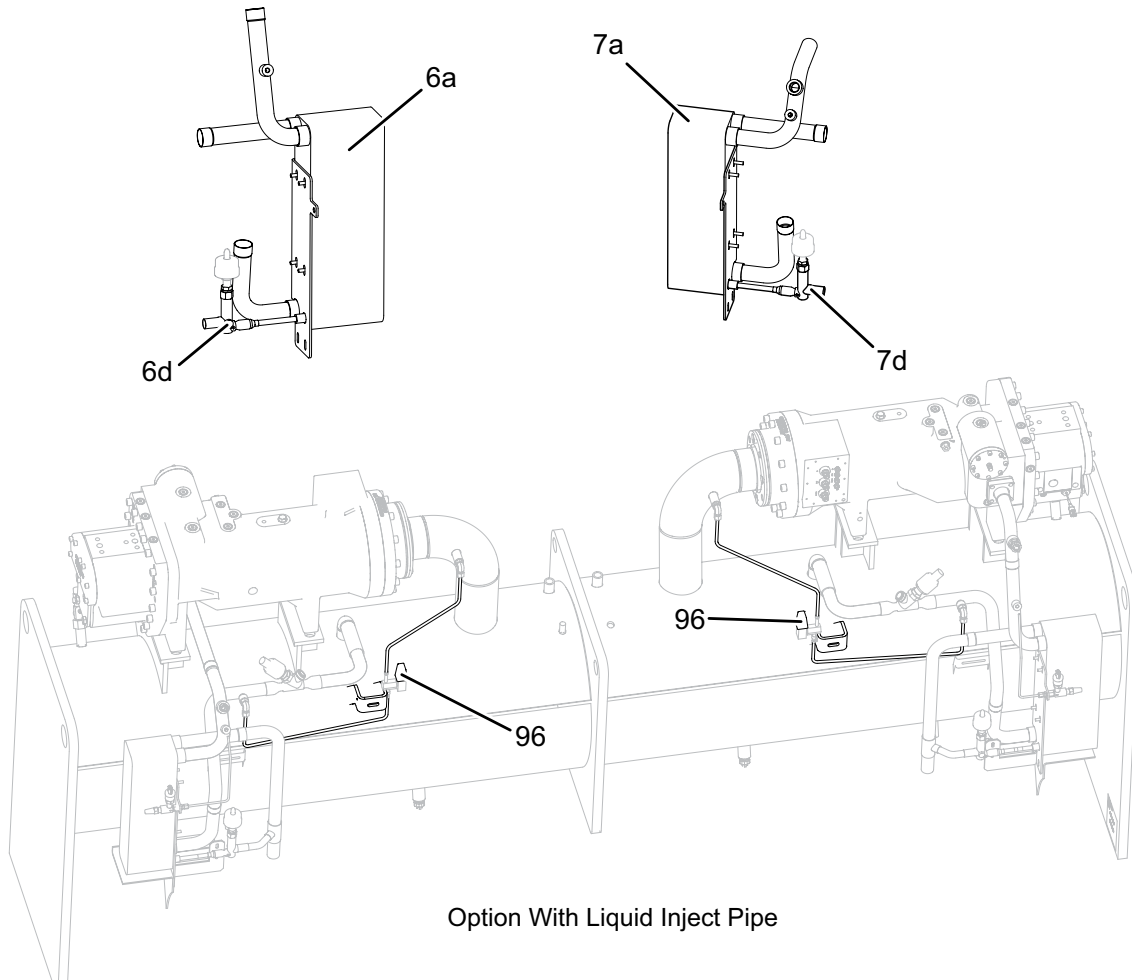
Oil Educator Assembly

LD18894

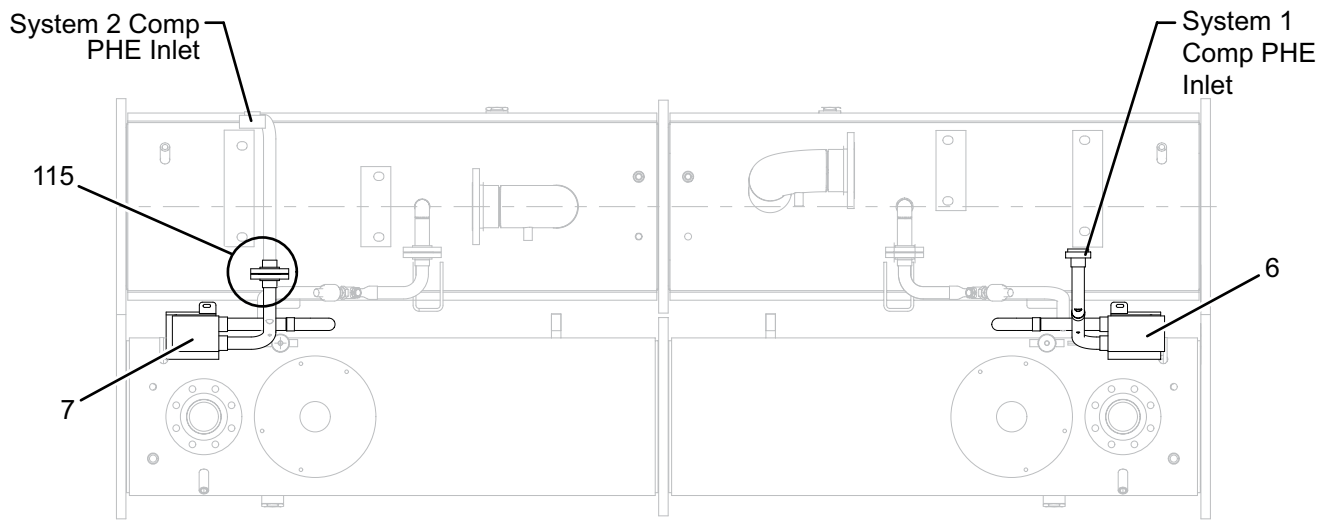
FIGURE 9 - UNIT PIPING FOR DUAL SYSTEMS



**FIGURE 10 - UNIT PIPING FOR DUAL SYSTEMS**



**FIGURE 11 - UNIT PIPING FOR DUAL SYSTEMS**

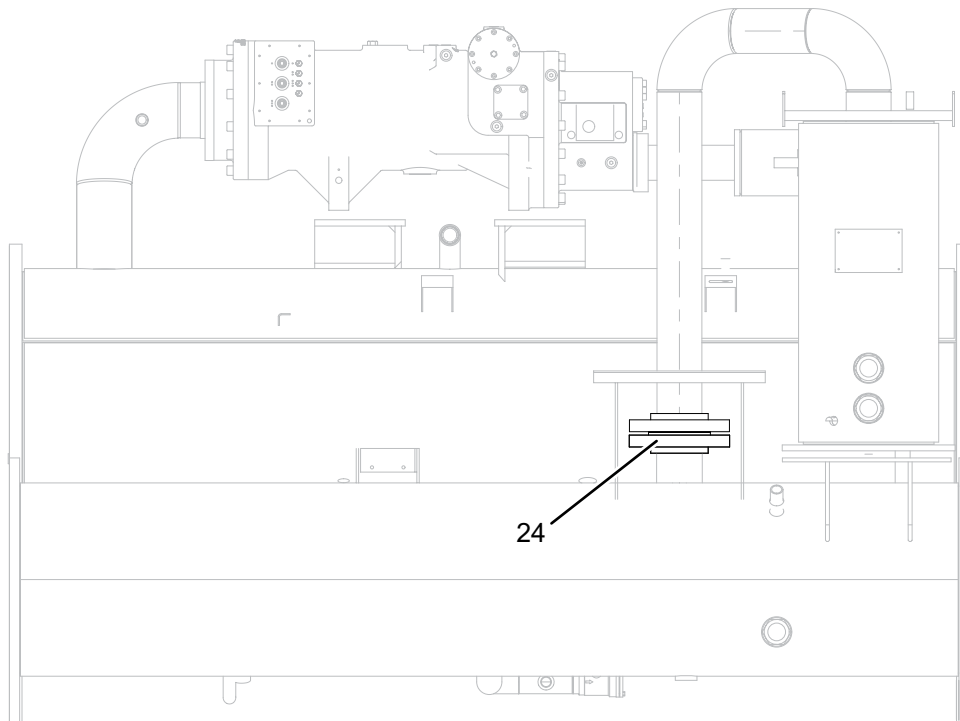


LD18897

**FIGURE 12 - UNIT PIPING FOR DUAL SYSTEMS**

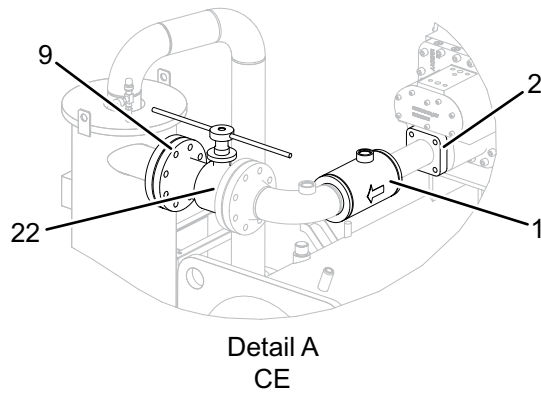
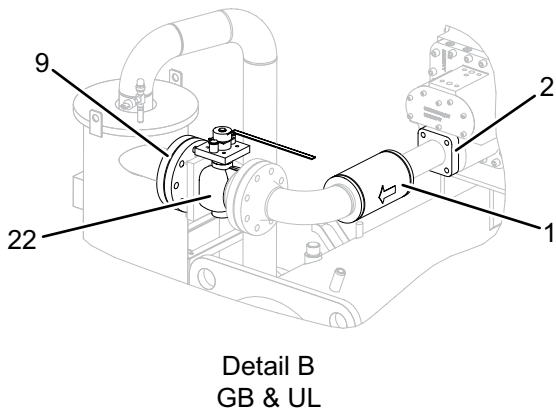
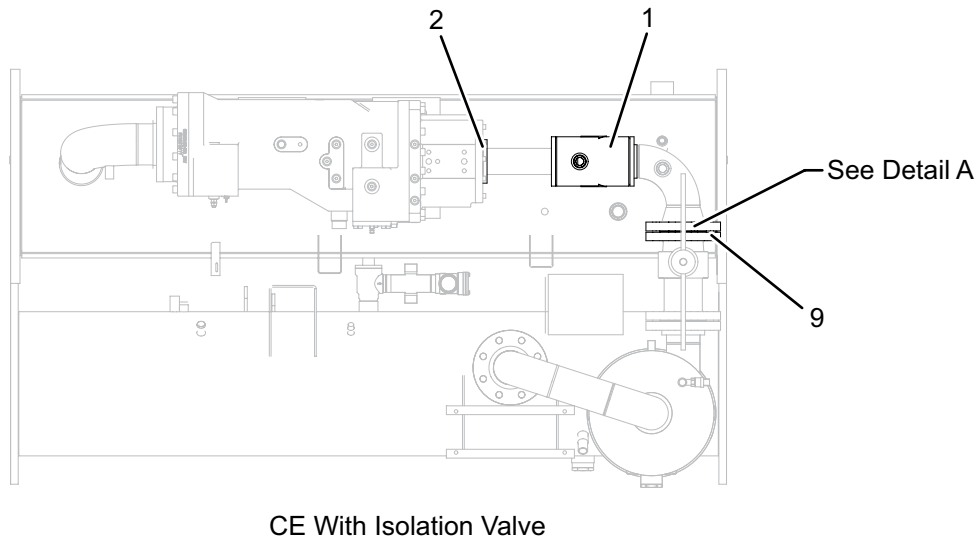
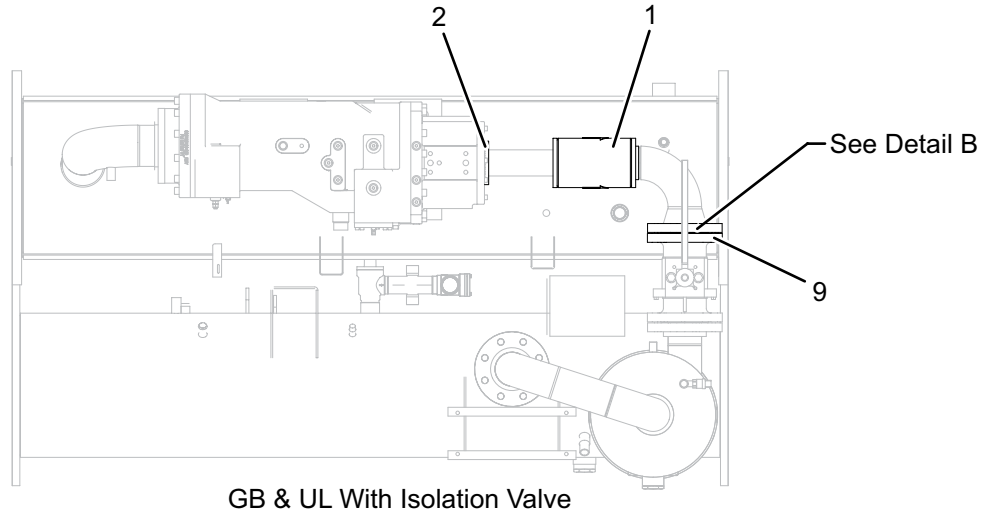
**TABLE 7 - UNIT STEEL PIPING FOR SINGLE SYSTEMS**

ITEM	DESCRIPTION	YORK PART NUMBER	SAP PART NUMBER	QUANTITY	FIGURE
1	Muffler Assy WTS145 (Pin 9=F & Pin 50=A or G)	392-06588-000	719626	1	14
	Muffler Assy WTS145 (Pin 9=F & Pin 38=X & Pin 50=E)	392-06588-900	1091138	1	
	Muffler Assy WTS145 CE Isol (Pin 9=F & Pin 38=B & Pin 50=E)	392-10678-900	1091139	1	
	Muffler Assy WTS151 (Pin 9=G & Pin 50=A or G)	392-02763-000	719607	1	
	Muffler Assy WTS151 (Pin 9=G & Pin 38=X & Pin 50=E)	392-02763-900	1091117	1	
	Muffler Assy WTS151 CE Isol (Pin 9=G & Pin 38=B & Pin 50=E)	392-10674-900	1042403	1	
2	Gasket, Flange 3.625 ID 5.75BC	028-15296-000	636248	1	14
9	Gasket, Round Ansi 4.00-300#	028-15075-059	710158	2	14
22	Ball, Wheel Flanged Carbon Steel Inline (Pin 38=B & Pin 50=G)	022-12141-008	723284	1	14
	Valve, Check Ball OD 101.6mm / 4in FLGFI (Pin 38=B & Pin 50=A or E)	022-12423-000	990006	1	
24	Gasket, Round Ansi 4.00-300# (Pin 77=H)	028-15075-059	710158	1	13
	Gasket, Round Ansi 4.00-150# (Pin 77=L)	028-15075-010	689698	1	



**FIGURE 13 - UNIT STEEL PIPING FOR SINGLE SYSTEMS**

LD18892

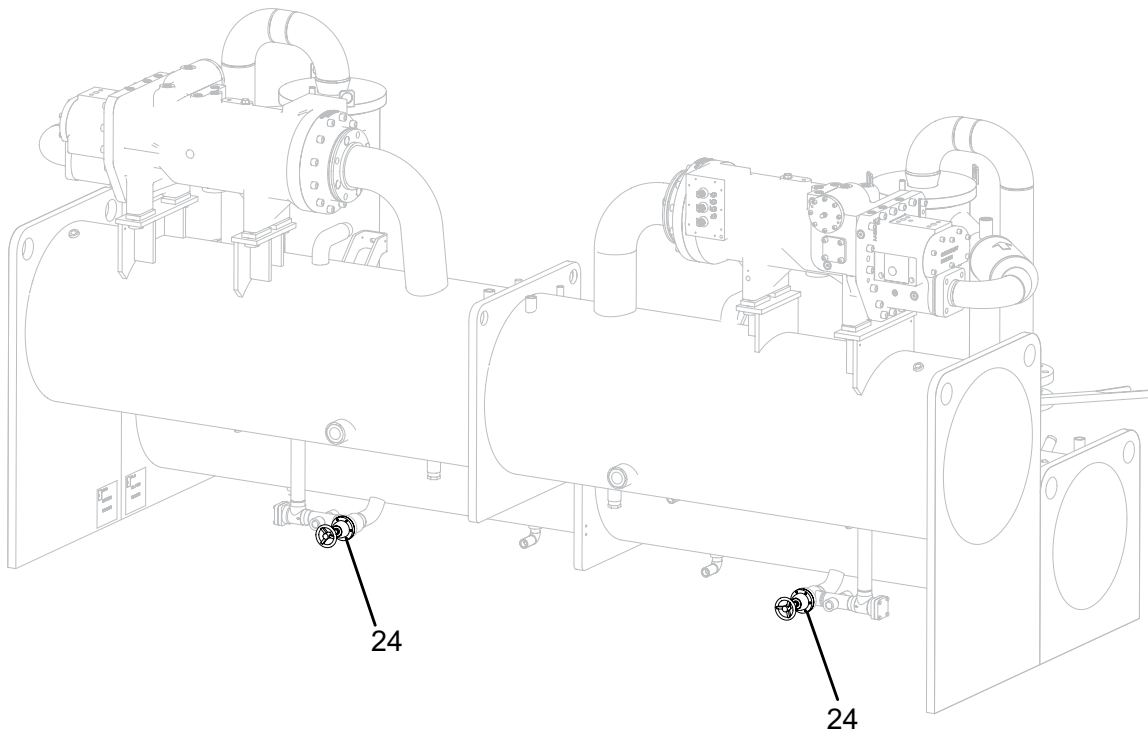


LD18891

**FIGURE 14 - UNIT STEEL PIPING FOR SINGLE SYSTEMS**

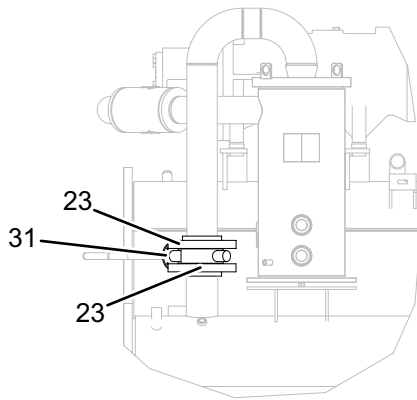
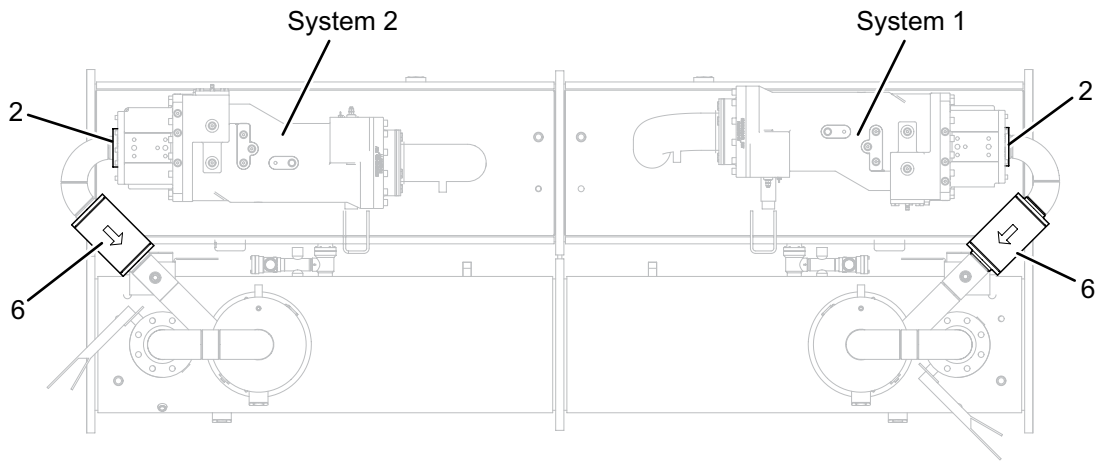
**TABLE 8 - UNIT STEEL PIPING FOR DUAL SYSTEMS**

ITEM	DESCRIPTION	YORK PART NUMBER	SAP PART NUMBER	QUANTITY	FIGURE
2	Gasket, Flange 3.625 Id 5.75bc	028-15296-000	636248	2	16
6	Muffler, WTS136 WTS145 WTS (Pin 50=A OR G)	392-02730-000	709140	2	16
	Muffler, WTS136 WTS145 WTS (Pin 50=E)	392-02730-900	1091116	2	
23	Gasket, Round ANSI 4.00-150# (Pin 77=L)	028-15075-010	689698	4	16
	Gasket, Round ANSI 4.00-300# (Pin 77=H)	028-15075-059	710158	4	
24	Valve, HW Ang	022-11216-005	397522	2	15
31	Valve, Butterfly 4" High Perf (Pin 38=B & Pin 50=A or G)	022-08874-000	116022	2	16
	Valve, Check Ball OD 101.6mm / 4in FLGFI (Pin 38=B & Pin 50=E)	022-12423-000	990006	2	

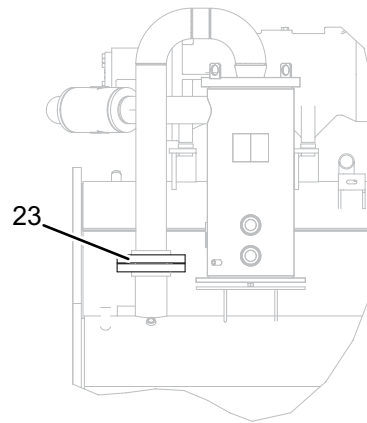


LD18890

**FIGURE 15 - UNIT STEEL PIPING FOR DUAL SYSTEMS**



CE, GB & UL With Isolation Valve



CE, GB & UL Without Isolation Valve

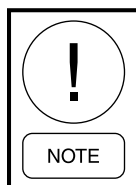
LD18889

**FIGURE 16 - UNIT STEEL PIPING FOR DUAL SYSTEMS**

**TABLE 9 - COMPRESSOR**

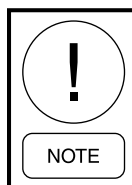
ITEM	DESCRIPTION	YORK PART NUMBER	SAP PART NUMBER	QUANTITY	FIGURE
-	Compressor, Heat Pump (136mm) CTS136	364-53622-400	1061503	-	
	Compressor, Heat Pump (136mm) CTS136 Step VI	364-53622-401	1061502		
	Compressor, Screw (136mm) CTS36SAAD	364-53622-460	1088555		
	Compressor, Screw (136mm) CTS36SAAD Step VI	364-53622-461	1088556		
	Compressor, Screw (136mm) 2.3VI WTS36S	364-52925-400	671003		
	Compressor, Screw (136mm) 2.3VI WTS36S	364-52925-460	837792		
-	Compressor, Heat Pump (145mm) CTS145	364-53623-400	1061501	-	
	Compressor, Heat Pump (145mm) CTS145 Step VI	364-53623-401	1061500		
	Compressor, Screw (145mm) CTS45SAAD	364-53623-460	1088557		
	Compressor, Screw (145mm) CTS45SAAD Step VI	364-53623-461	1088558		
	Compressor, Screw (145mm) 2.3VI WTS45S	364-52926-400	671004		
	Compressor, Screw (145mm) 2.3VI WTS45S	364-52926-460	837793		
-	Compressor, Heat Pump (151mm) CTS151	364-53629-400	1061499	-	
	Compressor, Heat Pump (151mm) CTS151 Step VI	364-53629-401	1061498		
	Compressor, Screw (151mm) CTS45SAAE	364-53629-460	1088559		
	Compressor, Screw (151mm) CTS45SAAE Step VI	364-53629-461	1088560		
	Compressor, Screw (151mm) 2.3VI WTS51S	364-52927-400	710201		
	Compressor, Screw (151mm) 2.3VI WTS51S	364-52927-460	837794		
15	Valve, Access 7/16"	022-09715-000	62505	1	17
20	Insulator, Bottom Terminal	025-33200-000	48836	3	17
21	Insulator, Top Terminal	025-33201-000	1373	3	17
22	Thermistor, 7/16"-20UNF-2A (Supplied with O-ring)	025-33202-000	1374	4	17
23	Strainer, Suction 4" (136)	026-35600-100	683900	1	*
	Strainer, Suction 5" (145)	026-35600-300	513672		
	Strainer, Suction 5" X 8-3/4" (151)	026-46664-000	697669		
24	Element, Oil Filter	026-35601-000	1486	1	17
25	O-ring, 2-152	028-13849-000	1567	1	17
31	Seal, Terminal	028-13946-000	4107	3	17
35	Gasket, 4" ANSI Flange (136)	028-15133-101	921862	1	17
	Gasket, 5" ANSI Flange (145 & 151)	028-15133-103	513671		

**NOTE:** Items with an \* are NOT represented.



***Compressors are not to be rebuilt in the field, they are required to be replaced as an assembly.***

***Refer to the Compressor Data Plate to verify the specific compressor model.***



***For Compressor Heaters see TABLE 25.***

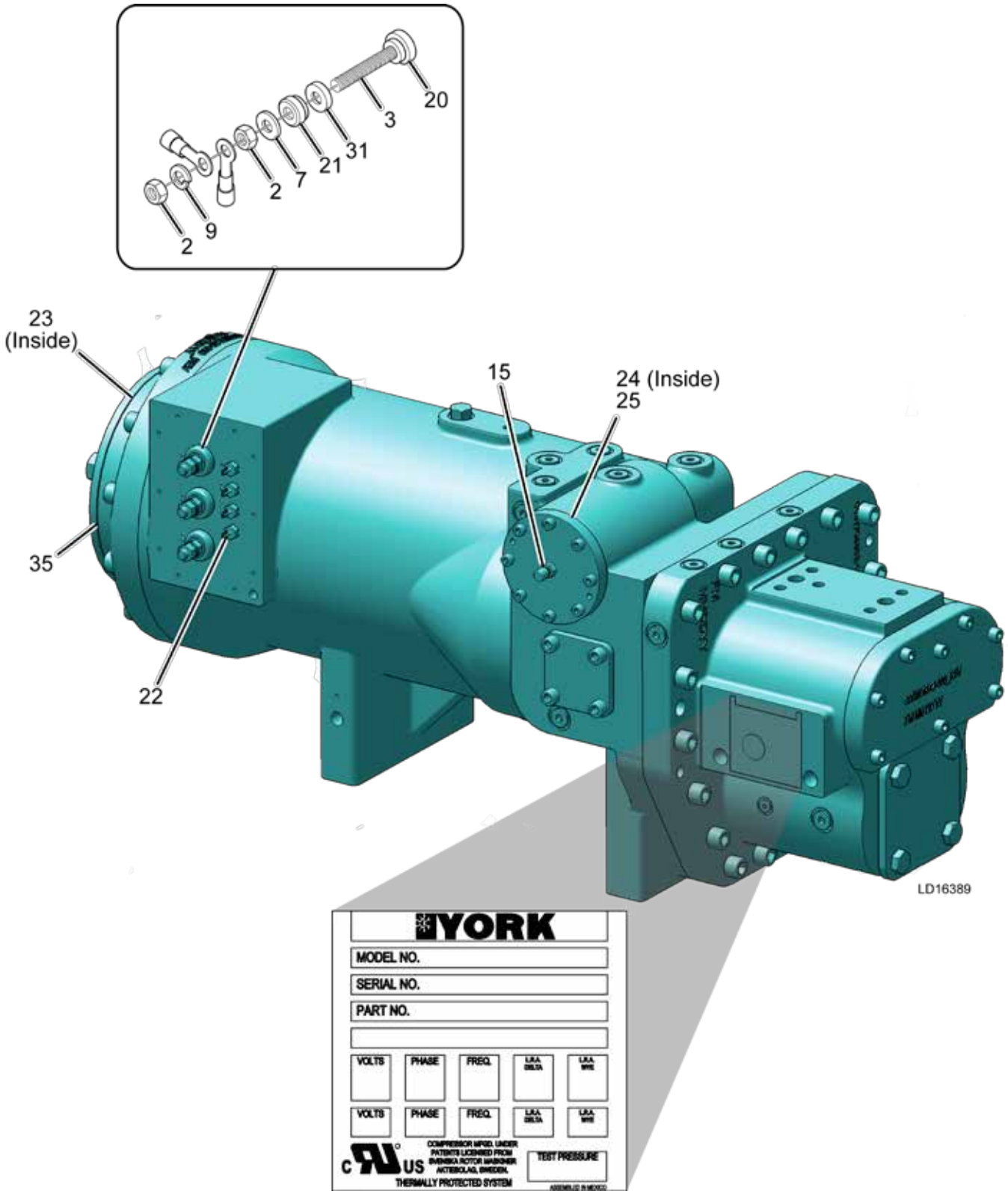
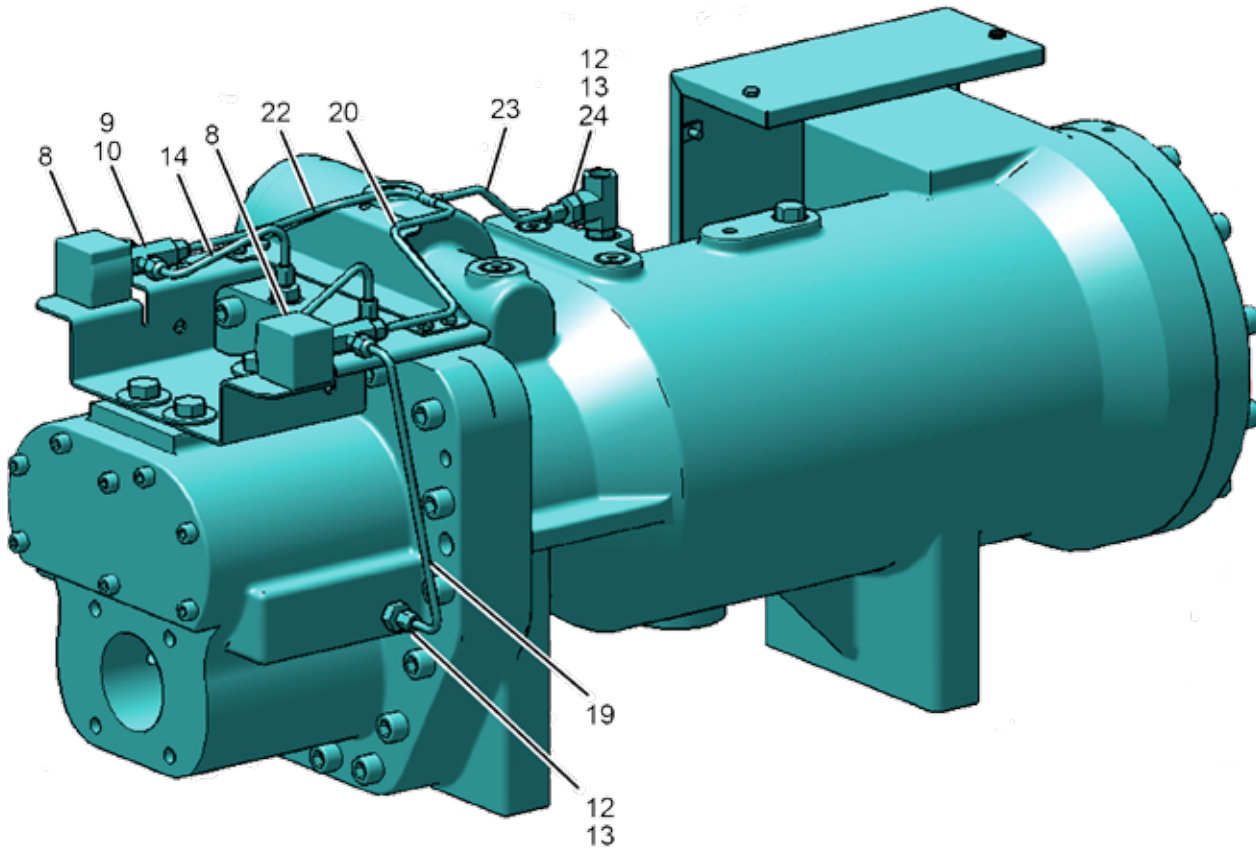
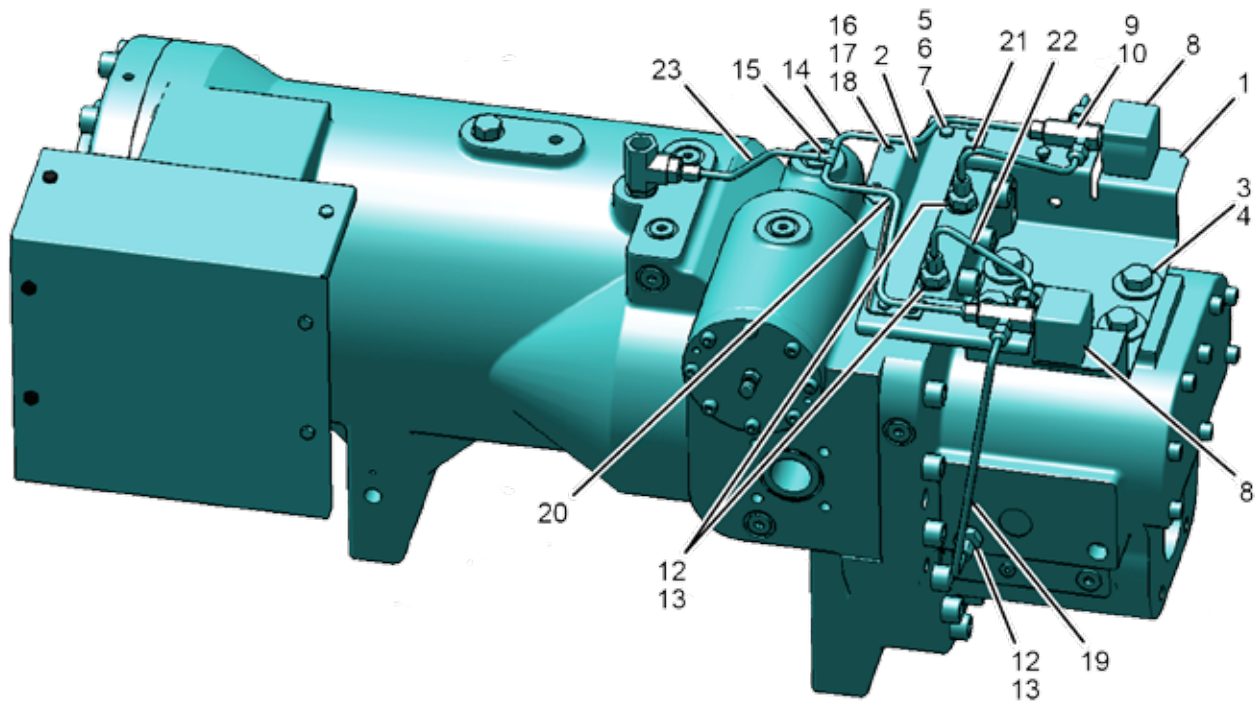


FIGURE 17 - COMPRESSOR

**TABLE 10 - COMPRESSOR STEP VI PIPING**

ITEM	DESCRIPTION	YORK PART NUMBER	SAP PART NUMBER	QUANTITY	FIGURE
1	Bracket, Piping Step VI	075-93335-000	648507	2	18
2	Bracket, Piping Step VI	075-93335-001	648508	2	18
3	Screw, Cap Hex Head 16 X 2.6G	021-19179-000	730391	8	18
4	Washer, Plain 11/16"ID X 1-3/4"OD	021-16142-000	729906	8	18
5	Screw, Hex Head Cap 1/4"-20 X 3/4" Gr 5 Emp	021-19313-012	730445	12	18
6	Washer, Plain 0.265"ID X 1/2"OD	021-10189-000	156429	12	18
7	Nut, Self Lock Hex 1/4"-20UNC-2B	021-31953-000	730782	12	18
8	Valve, Solenoid Din Coil	025-35151-000	739141	4	18
9	Valve, 180, Solenoid	025-43901-000	648515	4	18
10	Nut, Flange Short Forged 45	021-05661-000	147571	12	18
11	Clamp, Tube 7/8" OD	021-11452-000	648520	2	18
12	Fitting, 37 Deg Flared Tube	023-25192-000	648516	10	18
13	O-Ring, Neo1, 0.644"ID 0.087"Thk	028-12961-004	588819	12	18
14	Tube, Step VI, 1/4" OD x 0.049 wall	075-94028-007	648514	2	18
	Tube, Copper, 1/4" OD x 0.049 wall	007-02085-000	728167	20'	
15	Tee, Solid C X C X C 1/4"	023-04606-000	371718	2	18
16	Clamp, Tube 1/4" OD	021-13066-000	148499	4	18
17	Screw, Mach Pan Head Recessed 1"	021-01719-000	729378	4	18
18	Nut, Self Lock Hex #8-32UNC-2B	021-33161-000	648519	4	18
19	Tube, Step VI, SST 1/4" OD x 0.049 wall	075-94028-001	648509	4	18
	Tube, SST, 1/4" OD x 0.049 wall	003-02412-000	727790	8-12'	
20	Tube, Step VI, 1/4" OD x 0.049 wall	075-94028-005	648512	2	18
	Tube, Copper 1/4" OD x 0.049 wall	007-02085-000	728167	20'	
22	Tube, Step VI, 1/4" OD x 0.049 wall, (Pin 9 & 10 = FX)	075-94028-003	648510	2	18
	Tube, Copper 1/4" OD x 0.049 wall, (Pin 9 & 10 = FX)	007-02085-000	728167	20'	
	Tube, Step VI, 1/4" OD x 0.049 wall, (Pin 9 & 10 = GX)	075-94028-011	681558	2	
	Tube, Copper 1/4" OD x 0.049 wall, (Pin 9 & 10 = GX)	007-02085-000	728167	20'	
23	Copper, Tube Step VI (136) (1/4" OD x 0.049 wall), (Pin 9 & 10 = EE)	075-94028-505	830619	2	18
	Tube, Copper 1/4" OD x 0.049 wall, (Pin 9 & 10 = EE)	007-02085-000	728167	20'	
	Copper, Tube Step VI (145) (1/4" OD x 0.049 wall), (Pin 9 & 10 = FE)	075-94028-506	830620	2	
	Tube, Copper 1/4" OD x 0.049 wall, (Pin 9 & 10 = FE)	007-02085-000	728167	20'	18
	Copper, Tube Step VI (145) (1/4" OD x 0.049 wall), (Pin 9 & 10 = FF)	075-94028-507	861273	2	
	Tube, Copper 1/4" OD x 0.049 wall, (Pin 9 & 10 = FF)	007-02085-000	728167	20'	
24	Tee, Unf(F) 0.750In Unf(F) 0.750 Unf(M)	023-25549-000	827494	2	18

**NOTE:** Items with an \* are NOT represented.



LD16361

**FIGURE 18 - COMPRESSOR STEP VI PIPING**

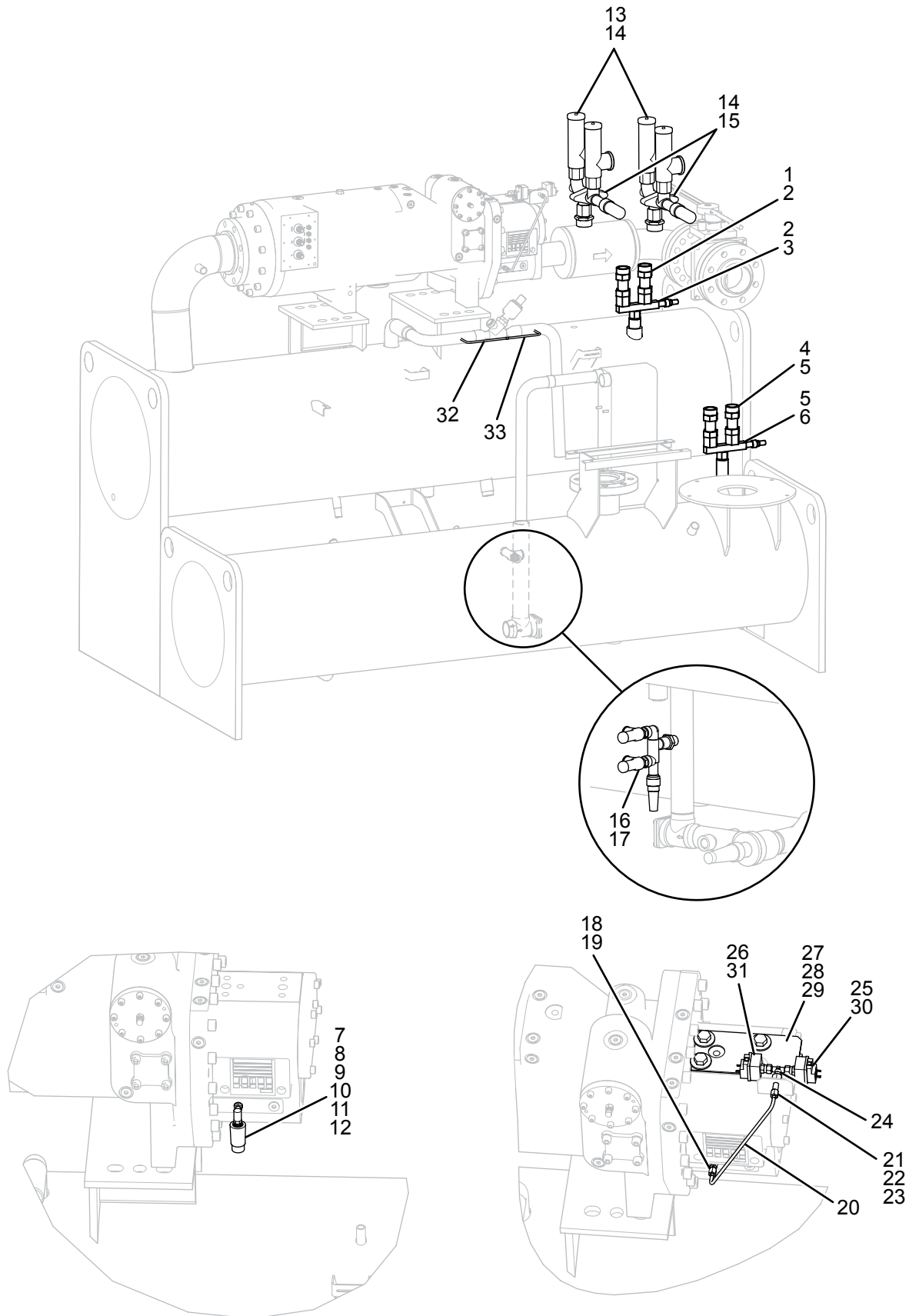
**TABLE 11 - RELIEF VALVES SINGLE CIRCUIT**

ITEM	DESCRIPTION	PART NUMBER	SAP	QUANTITY	FIGURE
1	Valve, Relief 1-5/16 -12Un-2A	022-10078-000	4102	2	19
2	O-Ring, Neo1 00.989ld .070Thk M (PIN 50=G)	028-12961-018	588824	3	19
	O-Ring, Neo1 01.171ld .116Thk M (PIN 50=A/E)	028-12961-008	588822		
3	Valve, Stop 3 Way 1-5/16	022-10073-000	4103	1	19
4	Valve, Relief 7/8 -14Unf-2A (PIN 50=G , PIN 77=L)	022-11011-000	717621	2	19
	Valve, Relief 7/8 -14Unf-2A (PIN 50=G , PIN 77=H)	022-12109-000	717624		
	Valve, Relief 1-5/16 -12Un-2A (PIN 50=A/E, PIN 77=H)	022-12239-000	822272		
	Valve, Relief 1-5/16 -12Un-2A (PIN 50=A/E, PIN 77=L)	022-10078-000	4102		
5	O-Ring Neo1 00.755ld .097Thk M (PIN 50=G)	028-12961-005	588820	3	19
	O-Ring Neo1 01.171ld .116Thk M (PIN 50=A/E)	028-12961-008	588822		
6	Valve, Stop 3 Way 7/8-14Unf-2A (PIN 50=G)	022-10072-000	48292	1	19
	Valve, Stop 3 Way 1-5/16 (PIN 50=A/E)	022-10073-000	4103		
7	O-Ring Neo1 00.351ld .072Thk M	028-12961-001	588817	1	19
8	Ell 90 Deg 3/16Od Tube 7/16X3/8	023-25808-000	961160	1	19
9	O-Ring Neo1 00.301ld .064Thk M	028-12961-021	588826	1	19
10	High Pressure Cutout (PIN 50=G/A, PIN 77=L)	025-35932-000	1397	1	19
	Pressure Switch Fixed 2.4Mpa (PIN 50=G/A, PIN 77=H)	025-39751-271	705231		
11	Harness, HPCO (PIN 50=G/A)	592-07172-055	836141	1	19
	Connector, DIN Plug 43650 w/ Suppressor (HPCO End)	025-37876-000	117987	1	
	Connector, 3/8" Straight (HPCO End)	025-31309-000	117547	1	
	Conduit, 3/8	025-31302-000	618155	3.5'	
	Connector, 3/8 Straight (JB-P38-1,2 End)	025-31309-000	117547	1	
	Terminal Pin #20-14 AWG (JB-P38-1,2 End)	025-20919-000	737624	2	
12	Connector, Male Din 43850	025-40232-000	144690	1	19
13	Relief Valve (PIN 50=E, PIN 77=H)	022-12673-000	1073497	2	19
	Relief Valve (PIN 50=E, PIN 77=L)	022-12582-000	1073494		
14	O-Ring, Neo1 01.475ld .118Thk M	028-12961-017	618653	2	19
15	3 Way Valve (PIN 50=E, PIN 77=H)	022-12672-000	1073496	2	19
	Valve, Stop 3 Way 1-5/8 (PIN 50=E, PIN 77=L)	022-10074-000	4104		
16	Safety Valve 26.8Bar Od 12.7mm (PIN 50=E, PIN 77=H)	022-12363-000	990004	1	19
	Relief, Valve (PIN 50=E, PIN 77=L)	022-12583-000	1073495		
17	Valve, Check Stop Od 12.7Mm / 1/2In Thd	022-12364-000	990005	1	19
18	O-Ring, Neo1 00.351ld .072Thk M	028-12961-001	588817	1	19
19	Fitting, 37 Deg. Flared Tube	023-25414-000	699734	1	19
20	Tube, HPCO Cutout	092-10676-000	990009	1	19
21	Bulkhead, 37 Deg. Flared Tube	023-25415-000	734207	1	19
22	Nut, Flare Hydraulic 1/4 Od	023-09670-000	146787	1	19
23	Sleeve, Flare Hydraulic 1/4 Od	023-10000-000	146748	1	19
24	Tee, 1/4 X 1/4 Ext Fla X	023-00972-000	371710	1	19
25	Manual Reset High Pressure (PIN 50=E, PIN 77=H)	025-44464-000	678497	1	19
	Pressostat To 48.00Bar Fla No Nz (PIN 50=E, PIN 77=L)	025-46343-000	1055114		
26	High Press Sw 1/4" Female Flare (PIN 50=E, PIN 77=H)	025-44981-000	818638	1	19
	Pressostat To 48.00Bar Fla No Nz (PIN 50=E, PIN 77=L)	025-46344-000	1055115		
27	Bracket, Press Switch Mtg	092-10670-000	961171	1	19
28	Screw, Cap Hex Hd 16 X 2.6G	021-19179-000	730391	4	19

**TABLE 11 (CONT'D) - RELIEF VALVES SINGLE CIRCUIT**

ITEM	DESCRIPTION	PART NUMBER	SAP	QUANTITY	FIGURE
29	Washer, Plain 11/16 Id X 1-3/4	021-16142-000	729906	4	19
30	Harness, Sys1 HPCO1 (PIN 50=E)	592-00580-224	818634	1	19
	Connector, DIN Plug 43650 w/ Suppressor (1-FHP1 End)	025-37876-000	117987	1	
	Connector, 3/8" Straight (1-FHP1 End)	025-31309-000	117547	1	
	Conduit, 3/8"	025-31302-000	618155	3.5'	
	Connector, 3/8" Straight (Compressor End)	025-31309-000	117547	1	
	Terminal Pin #20-14 AWG (Compressor End)	025-20919-000	737624	2	
31	Harness, Sys1 HPCO2 (PIN 50=E)	592-00580-225	818635	1	19
	Connector, DIN Plug 43650 w/ Suppressor (1-FHP2 End)	025-37876-000	117987	1	
	Connector, 3/8" Straight (1-FHP2 End)	025-31309-000	117547	1	
	Conduit, 3/8"	025-31302-000	618155	3.5'	
	Connector, 3/8" Straight (Compressor End)	025-31309-000	117547	1	
	Terminal Pin #20-14 AWG (Compressor End)	025-20919-000	737624	2	
32	Capillary Bypass Tube 1	092-06474-001	917053	1	19
33	Capillary Bypass Tube 2	092-06474-002	917054	1	19

**NOTE:** Items with an \* are NOT represented.



LD17784

**FIGURE 19 - RELIEF VALVES SINGLE CIRCUIT**

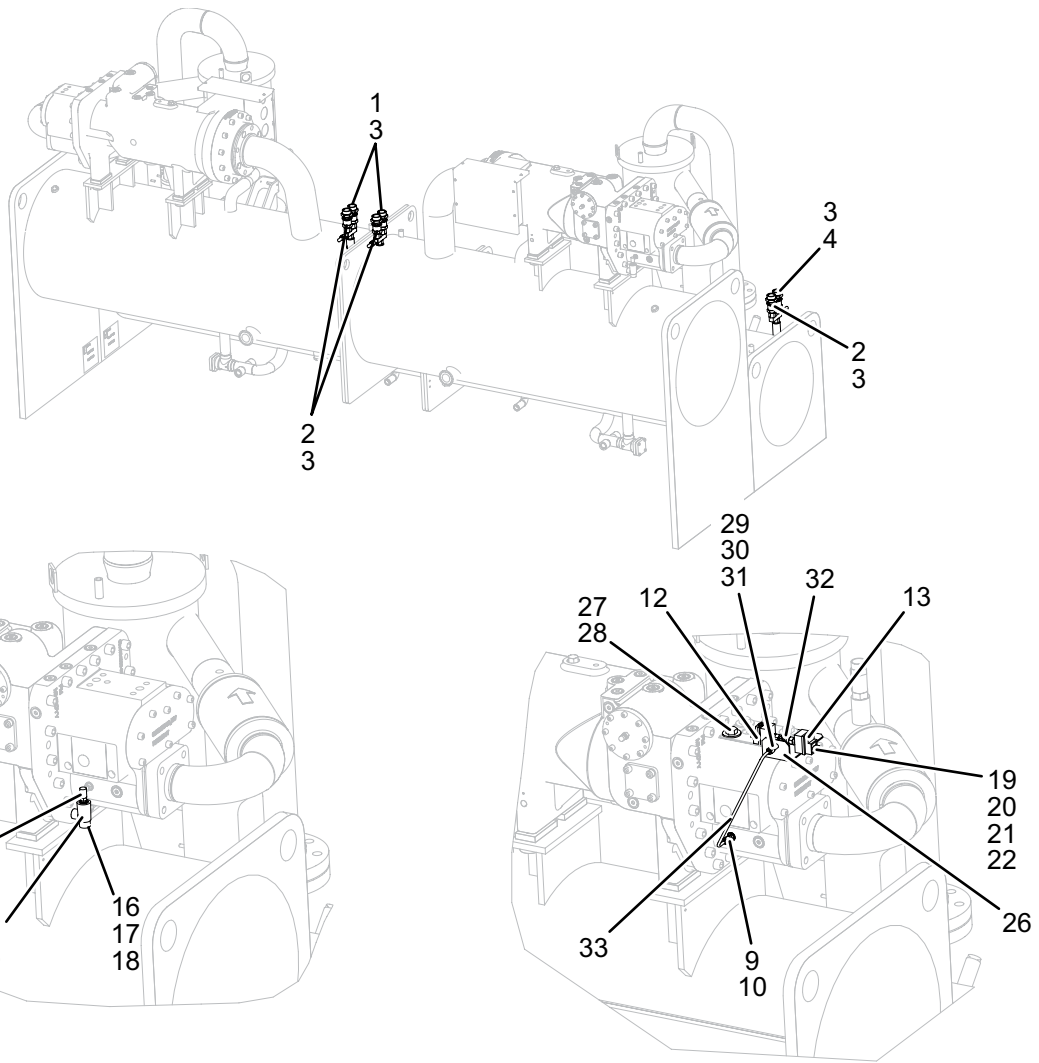
**TABLE 12 - RELIEF VALVES DUAL CIRCUIT**

ITEM	DESCRIPTION	YORK PART NUMBER	SAP PART NUMBER	QUANTITY	FIGURE
1	Valve, Relief 7/8 -14Unf-2A (PIN 50=G)	022-11011-000	717621	4	20
	Inline Pressure Relief Valve (PIN 50=A/E)	022-12236-000	822269		
2	Valve, Stop 3 Way 7/8-14Unf-2A	022-10072-000	48292	4	20
3	O-Ring, Neo1 00.755ld .097Thk M	028-12961-005	588820	12	20
4	Valve, Relief 7/8 -14Unf-2A (PIN 50=G, Pin 77=H)	022-12109-000	717624	4	20
	Valve, Relief 7/8-14Unf-2A (PIN 50=G, Pin 77=M)	022-12466-000	1019332		
	Inline, Pressure Relief Valve (PIN 50=A/E, Pin 77=H)	022-12235-000	822268		
	Valve, Relief 7/8-14Unf-2A (PIN 50=A, Pin 77=M)	022-12404-000	885767		
5	O-Ring, Neo1 00.351ld .072Thk M	028-12961-001	588817	2	20
6	Ell, 90 Deg 3/16Od Tube 7/16X3/8 (PIN 50=G/A, Pin 77=H)	023-25808-000	961160	2	20
	Adapter, 90 Deg M X M 7/16-20Unf (PIN 5=G/A, Pin 77=M)	023-25920-000	994038		
7	O-Ring, Neo1 00.301ld .064Thk M	028-12961-021	588826	2	20
8	Pressure Switch Fixed 2.4Mpa (PIN 50=G/A, Pin 77=H)	025-39751-271	705231	2	20
	Pressure Swtich 2.06/1.36Mpa 3/8" (PIN 50=G, Pin 77=M)	025-39751-272	1017912		
	Switch, Auto Hp (PIN 50=A, Pin 77=M)	025-39956-002	991662		
	High Press Sw 1/4" Female Flare (PIN 50=E, Pin 77=H)	025-44981-000	818638	2	
9	O-Ring, Neo1 00.351ld .072Thk M	028-12961-001	588817	2	20
10	Fitting, 37 Deg. Flared Tube	023-25414-000	699734	2	20
11	Capillary Bypass Tube 1	092-06474-001	917053	2	20
12	Capillary Bypass Tube 2	092-06474-002	917054	2	20
13	Manual Reset High Pressure (PIN 50=E, Pin 77=H)	025-44464-000	678497	2	20
14	Valve, Relief 7/8-14Unf-2A (PIN 50=G, Pin 77=M)	022-12466-000	1019332	4	20
15	Valve, Stop 3 Way 7/8-14Unf-2A (PIN 50=G, PIN 77=M)	022-10072-000	48292	2	20
16	Harness, Sys1 HPCO (PIN 50=G/A)	592-00580-212	683104	1	20
	Connector, 3/8" Straight (JB-P38-1,2 End)	025-31309-000	117547	1	
	Terminal Pin #20-14 AWG	025-20919-000	737624	2	
	Conduit, 3/8"	025-31302-000	618155	3.5'	
	Connector, 3/8" Straight (HPCO End)	025-31309-000	737624	1	
	Connector, DIN Plug (HPCO End)	025-37876-000	117987	1	

**TABLE 12 (CONT'D) - RELIEF VALVES DUAL CIRCUIT**

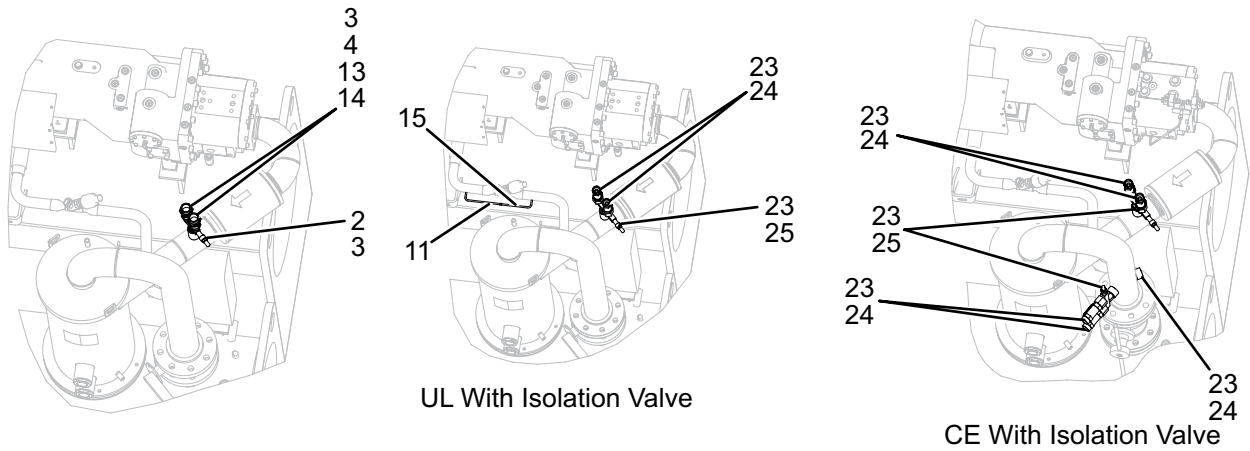
ITEM	DESCRIPTION	YORK PART NUMBER	SAP PART NUMBER	QUANTITY	FIGURE
17	Harness, Sys2 HPCO (PIN 50=G/A)	592-00580-213	683105	1	220
	Connector, 3/8" Straight (Compressor End)	025-31309-000	117547	1	
	Terminal Pin #20-14 AWG	025-20919-000	737624	2	
	Conduit, 3/8"	025-31302-000	618155	3.5'	
	Connector, 3/8" Straight (HPCO End)	025-31309-000	117547	1	
	Connector, DIN Plug (HPCO End)	025-37876-000	117987	1	
18	Connector, Male Din 43850	025-40232-000	144690	2	20
19	Harness, Sys1 HPCO CE (PIN 50=E)	592-00580-224	818634	1	20
	Connector, 3/8" Straight (Compressor End)	025-31309-000	117547	1	
	Terminal Pin #20-14 AWG	025-20919-000	737624	2	
	Conduit, 3/8"	025-31302-000	618155	3.5'	
	Connector, 3/8" Straight (HPCO End)	025-31309-000	117547	1	
	Connector, DIN Plug (HPCO End)	025-37876-000	117987	1	
20	Harness, Sys1 HPCO2 CE (PIN 50=E)	592-00580-225	818635	1	20
	Connector, 3/8" Straight (Compressor End)	025-31309-000	117547	1	
	Terminal Pin #20-14 AWG	025-20919-000	737624	2	
	Conduit, 3/8"	025-31302-000	618155	3.5'	
	Connector, 3/8" Straight (HPCO End)	025-31309-000	117547	1	
	Connector, DIN Plug (HPCO End)	025-37876-000	117987	1	
21	Harness, Sys2 HPCO1 CE (PIN 50=E)	592-00580-226	818636	1	20
	Connector, 3/8" Straight (Compressor End)	025-31309-000	117547	1	
	Terminal Pin #20-14 AWG	025-20919-000	737624	2	
	Conduit, 3/8"	025-31302-000	618155	3.5'	
	Connector, 3/8" Straight (HPCO End)	025-31309-000	117547	1	
	Connector, DIN Plug (HPCO End)	025-37876-000	117987	1	
22	Harness, Sys2 HPCO2 CE (PIN 50=E)	592-00580-227	818637	1	20
	Connector, 3/8" Straight (Compressor End)	025-31309-000	117547	1	
	Terminal Pin #20-14 AWG	025-20919-000	737624	2	
	Conduit, 3/8"	025-31302-000	618155	3.5'	
	Connector, 3/8" Straight (HPCO End)	025-31309-000	117547	1	
	Connector, DIN Plug (HPCO End)	025-37876-000	117987	1	
23	O-Ring, Neo1 01.1711d .116Thk M	028-12961-008	588822	2	20
24	Valve, Relief 1-5/16 -12Un-2A	022-12239-000	822272	2	20
25	Valve, Stop 3 Way 1-5/16	022-10073-000	4103	2	20
26	Bracket, Press Switch Mtg	092-10670-000	961171	2	20
27	Screw, Cap Hex Hd 16 X 2.6G	021-19179-000	730391	8	20
28	Washer, Plain 11/16 Id X 1-3/4	021-16142-000	729906	8	20
29	Bulkhead, 37 Deg. Flared Tube	023-25415-000	734207	2	20
30	Nut, Flare Hydraulic 1/4 OD	023-09670-000	146787	2	20
31	Sleeve, Flare Hydraulic 1/4 OD	023-10000-000	146748	2	20
32	Tee, 1/4 X 1/4 Ext Fla X	023-00972-000	371710	2	20
33	Tube, HPCO Cutout	075-94078-100	843337	2	20

**NOTE:** Items with an \* are NOT represented.



GB & UL HPCO

CE HPCO



GB With Isolation Valve

UL With Isolation Valve

CE With Isolation Valve

LD18898

FIGURE 20 - RELIEF VALVES DUAL CIRCUIT

**TABLE 13 - CONDENSER COMPACT (PIN 70=C) WATERBOX GASKETS**

**1 PASS - 150PSIG**

PIN 74	DESCRIPTION	YORK PART NUMBER	SAP PART NUMBER	QUANTITY (CUN)
A / H	Gasket, Channel 50 Durometer	028-09551-*	3802	11 ft.

**2 PASS - 150PSIG**

PIN 74	DESCRIPTION	YORK PART NUMBER	SAP PART NUMBER	QUANTITY (CUN)
C / K	Gasket, Channel 50 Durometer	028-09551-*	3802	12 ft.

**3 PASS - 150PSIG**

PIN 74	DESCRIPTION	YORK PART NUMBER	SAP PART NUMBER	QUANTITY (CUN)
G / P	Gasket, Channel 50 Durometer	028-09551-*	3802	14 ft.

**1 PASS - 300PSIG**

PIN 74	DESCRIPTION	YORK PART NUMBER	SAP PART NUMBER	QUANTITY (CUN)
A / H	Gasket, Channel 50 Durometer	028-09551-*	3802	11 ft.
	Gasket	092-18049-000	1065022	2 ft.

**2 PASS - 300PSIG**

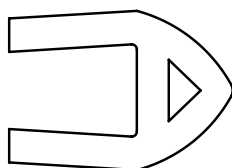
PIN 74	DESCRIPTION	YORK PART NUMBER	SAP PART NUMBER	QUANTITY (CUN)
C / K	Gasket, Channel 50 Durometer	028-09551-*	3802	12 ft.
	Gasket	092-18049-000	1065022	1 ft.

**3 PASS - 300PSIG**

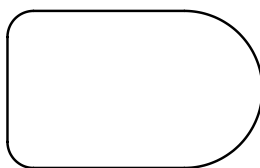
PIN 74	DESCRIPTION	YORK PART NUMBER	SAP PART NUMBER	QUANTITY (CUN)
G / P	Gasket, Channel 50 Durometer	028-09551-*	3802	14 ft.
	Gasket	092-18049-000	1065022	1 ft.

\* Specify length required by replacing the -000 with either -025 for 25 feet, -050 for 50 feet or -100 for 100 feet.

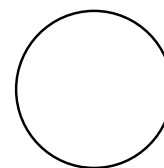
028-09551-\*



028-03242-\*



092-18049-\*



LD18955

**FIGURE 21 - CONDENSER WATERBOX GASKET**

**TABLE 14 - CONDENSER EPOXY COATED (PIN 71=C) COMPACT (PIN 70=C) WATERBOX GASKETS**

**1 PASS - 150PSIG**

PIN 74	DESCRIPTION	YORK PART NUMBER	SAP PART NUMBER	QUANTITY (CUN)
A / H	Gasket, Channel 50 Durometer	028-09551-*	3802	11 ft.
	Gasket	092-18049-000	1065022	1 ft.

**2 PASS - 150PSIG**

PIN 74	DESCRIPTION	YORK PART NUMBER	SAP PART NUMBER	QUANTITY (CUN)
C / K	Gasket, Channel 50 Durometer	028-09551-*	3802	12 ft.
	Gasket	092-18049-000	1065022	1 ft.

**3 PASS - 150PSIG**

PIN 74	DESCRIPTION	YORK PART NUMBER	SAP PART NUMBER	QUANTITY (CUN)
G / P	Gasket, Channel 50 Durometer	028-09551-*	3802	14 ft.
	Gasket	092-18049-000	1065022	1 ft.

**1 PASS - 300PSIG**

PIN 74	DESCRIPTION	YORK PART NUMBER	SAP PART NUMBER	QUANTITY (CUN)
A / H	Gasket, Channel 50 Durometer	028-09551-*	3802	11 ft.
	Gasket	092-18049-000	1065022	2 ft.

**2 PASS - 300PSIG**

PIN 74	DESCRIPTION	YORK PART NUMBER	SAP PART NUMBER	QUANTITY (CUN)
C / K	Gasket, Channel 50 Durometer	028-09551-*	3802	12 ft.
	Gasket	092-18049-000	1065022	1 ft.

**3 PASS - 300PSIG**

PIN 74	DESCRIPTION	YORK PART NUMBER	SAP PART NUMBER	QUANTITY (CUN)
G / P	Gasket, Channel 50 Durometer	028-09551-*	3802	14 ft.
	Gasket	092-18049-000	1065022	1 ft.

\* Specify length required by replacing the -000 with either -025 for 25 feet, -050 for 50 feet or -100 for 100 feet.

**TABLE 15 - CONDENSER MARINE (PIN 70=M) WATERBOX GASKETS**

**1 PASS - 150PSIG**

<b>PIN 74</b>	<b>DESCRIPTION</b>	<b>YORK PART NUMBER</b>	<b>SAP PART NUMBER</b>	<b>QUANTITY (CUN)</b>
<b>A / H</b>	Gasket, Channel 50 Durometer	028-09551-*	3802	6.5 ft.
	Gasket	092-18049-000	1065022	2 ft.

**2 PASS - 150PSIG**

<b>PIN 74</b>	<b>DESCRIPTION</b>	<b>YORK PART NUMBER</b>	<b>SAP PART NUMBER</b>	<b>QUANTITY (CUN)</b>
<b>C / K</b>	Gasket, Channel 50 Durometer	028-09551-*	3802	5.8 ft.
	Gasket	092-18049-000	1065022	1 ft.

**3 PASS - 150PSIG**

<b>PIN 74</b>	<b>DESCRIPTION</b>	<b>YORK PART NUMBER</b>	<b>SAP PART NUMBER</b>	<b>QUANTITY (CUN)</b>
<b>G / P</b>	Gasket, Channel 50 Durometer	028-09551-*	3802	5.8 ft.
	Gasket	092-18049-000	1065022	1 ft.

**1 PASS - 300PSIG**

<b>PIN 74</b>	<b>DESCRIPTION</b>	<b>YORK PART NUMBER</b>	<b>SAP PART NUMBER</b>	<b>QUANTITY (CUN)</b>
<b>A / H</b>	Gasket, Water Head	028-03242-*	618585	6.8 ft.
	Gasket	092-18049-000	1065022	2 ft.

**2 PASS - 300PSIG**

<b>PIN 74</b>	<b>DESCRIPTION</b>	<b>YORK PART NUMBER</b>	<b>SAP PART NUMBER</b>	<b>QUANTITY (CUN)</b>
<b>C / K</b>	Gasket, Water Head	028-03242-*	618585	3.4 ft.
	Gasket, Channel 50 Durometer	028-09551-*	3802	2.6 ft.
	Gasket	092-18049-000	1065022	1 ft.

**3 PASS - 300PSIG**

<b>PIN 74</b>	<b>DESCRIPTION</b>	<b>YORK PART NUMBER</b>	<b>SAP PART NUMBER</b>	<b>QUANTITY (CUN)</b>
<b>G / P</b>	Gasket, Water Head	028-03242-*	618585	6.8 ft.
	Gasket, Channel 50 Durometer	028-09551-*	3802	2 ft.
	Gasket	092-18049-000	1065022	1 ft.

\* Specify length required by replacing the -000 with either -025 for 25 feet, -050 for 50 feet or -100 for 100 feet.

**TABLE 16 - CONDENSER EPOXY COATED (PIN 71=C) MARINE (PIN 70=M) WATERBOX GASKETS**

**1 PASS - 150PSIG**

PIN 74	DESCRIPTION	YORK PART NUMBER	SAP PART NUMBER	QUANTITY (CUN)
A / H	Gasket, Channel 50 Durometer	028-09551-*	3802	7 ft.
	Gasket	092-18049-000	1065022	2 ft.

**2 PASS - 150PSIG**

PIN 74	DESCRIPTION	YORK PART NUMBER	SAP PART NUMBER	QUANTITY (CUN)
C / K	Gasket, Channel 50 Durometer	028-09551-*	3802	5.8 ft.
	Gasket	092-18049-000	1065022	1 ft.

**3 PASS - 150PSIG**

PIN 74	DESCRIPTION	YORK PART NUMBER	SAP PART NUMBER	QUANTITY (CUN)
G / P	Gasket, Channel 50 Durometer	028-09551-*	3802	8.4 ft.
	Gasket	092-18049-000	1065022	1 ft.

**1 PASS - 300PSIG**

PIN 74	DESCRIPTION	YORK PART NUMBER	SAP PART NUMBER	QUANTITY (CUN)
A / H	Gasket, Water Head	028-03242-*	618585	6.8 ft.
	Gasket	092-18049-000	1065022	2 ft.

**2 PASS - 300PSIG**

PIN 74	DESCRIPTION	YORK PART NUMBER	SAP PART NUMBER	QUANTITY (CUN)
C / K	Gasket, Water Head	028-03242-*	618585	3.4 ft.
	Gasket, Channel 50 Durometer	028-09551-*	3802	2.6 ft.
	Gasket	092-18049-000	1065022	1 ft.

**3 PASS - 300PSIG**

PIN 74	DESCRIPTION	YORK PART NUMBER	SAP PART NUMBER	QUANTITY (CUN)
G / P	Gasket, Water Head	028-03242-*	618585	6.8 ft.
	Gasket, Channel 50 Durometer	028-09551-*	3802	2 ft.
	Gasket	092-18049-000	1065022	1 ft.

\* Specify length required by replacing the -000 with either -025 for 25 feet, -050 for 50 feet or -100 for 100 feet.

**TABLE 17 - EVAPORATOR COMPACT (PIN 57=C) WATERBOX GASKETS**

**1 PASS - 150PSIG**

PIN 61	DESCRIPTION	YORK PART NUMBER	SAP PART NUMBER	QUANTITY (CUN)
A / H	Gasket, Channel 50 Durometer	028-09551-*	3802	12.5 ft.
	Gasket	092-18049-000	1065022	2 ft.

**2 PASS - 150PSIG**

PIN 61	DESCRIPTION	YORK PART NUMBER	SAP PART NUMBER	QUANTITY (CUN)
C / K	Gasket, Channel 50 Durometer	028-09551-*	3802	14.5 ft.
	Gasket	092-18049-000	1065022	1 ft.

**3 PASS - 150PSIG**

PIN 61	DESCRIPTION	YORK PART NUMBER	SAP PART NUMBER	QUANTITY (CUN)
G / P	Gasket, Channel 50 Durometer	028-09551-*	3802	16.5 ft.
	Gasket	092-18049-000	1065022	1 ft.

**1 PASS - 300PSIG**

PIN 61	DESCRIPTION	YORK PART NUMBER	SAP PART NUMBER	QUANTITY (CUN)
A / H	Gasket, Channel 50 Durometer	028-09551-*	3802	12.6 ft.
	Gasket	092-18049-000	1065022	2 ft.

**2 PASS - 300PSIG**

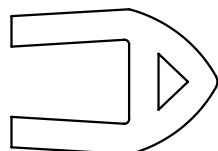
PIN 61	DESCRIPTION	YORK PART NUMBER	SAP PART NUMBER	QUANTITY (CUN)
C / K	Gasket, Channel 50 Durometer	028-09551-*	3802	14.5 ft.
	Gasket, Water Head	028-03242-*	618585	4.3 ft.
	Gasket	092-18049-000	1065022	1 ft.

**3 PASS - 300PSIG**

PIN 61	DESCRIPTION	YORK PART NUMBER	SAP PART NUMBER	QUANTITY (CUN)
G / P	Gasket, Channel 50 Durometer	028-09551-*	3802	16.5 ft.
	Gasket, Water Head	028-03242-*	618585	4.3 ft.
	Gasket	092-18049-000	1065022	1 ft.

\* Specify length required by replacing the -000 with either -025 for 25 feet, -050 for 50 feet or -100 for 100 feet.

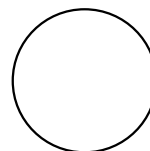
028-09551-\*



028-03242-\*



092-18049-\*



LD18955

**FIGURE 22 - EVAPORATOR WATERBOX GASKET**

**TABLE 18 - EVAPORATOR MARINE (PIN 57=M) WATERBOX GASKETS**

**1 PASS - 150PSIG**

PIN 61	DESCRIPTION	YORK PART NUMBER	SAP PART NUMBER	QUANTITY (CUN)
A / H	Gasket, Channel 50 Durometer	028-09551-*	3802	12.5 ft.
	Gasket	092-18049-000	1065022	2 ft.

**2 PASS - 150PSIG**

PIN 61	DESCRIPTION	YORK PART NUMBER	SAP PART NUMBER	QUANTITY (CUN)
C / K	Gasket, Channel 50 Durometer	028-09551-*	3802	14.5 ft.
	Gasket	092-18049-000	1065022	1 ft.

**3 PASS - 150PSIG**

PIN 61	DESCRIPTION	YORK PART NUMBER	SAP PART NUMBER	QUANTITY (CUN)
G / P	Gasket, Channel 50 Durometer	028-09551-*	3802	16.5 ft.
	Gasket	092-18049-000	1065022	1 ft.

**1 PASS - 300PSIG**

PIN 61	DESCRIPTION	YORK PART NUMBER	SAP PART NUMBER	QUANTITY (CUN)
A / H	Gasket, Water Head	028-03242-*	618585	8.2 ft.
	Gasket	092-18049-000	1065022	2 ft.

**2 PASS - 300PSIG**

PIN 61	DESCRIPTION	YORK PART NUMBER	SAP PART NUMBER	QUANTITY (CUN)
C / K	Gasket, Water Head	028-03242-*	618585	4 ft.
	Gasket, Channel 50 Durometer	028-09551-*	3802	3.1 ft.
	Gasket	092-18049-000	1065022	1 ft.

**3 PASS - 300PSIG**

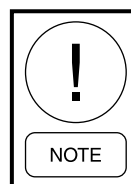
PIN 61	DESCRIPTION	YORK PART NUMBER	SAP PART NUMBER	QUANTITY (CUN)
G / P	Gasket, Water Head	028-03242-*	618585	8.2 ft.
	Gasket, Channel 50 Durometer	028-09551-*	3802	2.3 ft.
	Gasket	092-18049-000	1065022	1 ft.

\* Specify length required by replacing the -000 with either -025 for 25 feet, -050 for 50 feet or -100 for 100 feet.

**TABLE 19 - CONDENSER TUBES (PIN 50=G)**

CONDENSER CODE (PIN 7,8)	TUBE QUANTITY (Cond/ Sub-cooler)	3/4" COPPER			3/4" COPPER NICKEL		
		0.025	0.028	0.035	0.025	0.028	0.035
		MT #260	MT #261	MT #262	MT #162 (TITANIUM)	MT #201	MT #203
BB	140	007-10588-005 (679442)	007-10588-823 (999241)	007-10588-826 (999238)	007-10512-801 (999235)	007-10945-805 (999247)	007-10945-808 (999244)
BC	160						
BD	175						
CB	140	007-10588-006 (679443)	007-10588-824 (999240)	007-10588-827 (999237)	007-10512-802 (999234)	007-10945-806 (999246)	007-10945-809 (999243)
CC	160						
CD	175						
DB	140	007-10588-007 (679444)	007-10588-825 (999239)	007-10588-828 (999236)	007-10512-803 (999233)	007-10945-807 (999245)	007-10945-810 (999242)
DC	160						
DD	175						
MB	162	007-10589-001 (728513)	007-10589-015 (986545)	007-10589-019 (898063)	-	007-10495-001 (1035858)	007-10495-003 (986543)
MC	191						
MD	211						
ME	248						
NB	162	007-10589-002 (728514)	007-10589-016 (986546)	007-10589-020 (986549)	-	007-10495-002 (1035825)	007-10495-004 (986544)
NC	191						
ND	211						
NE	248						

CONDENSER CODE (PIN 7,8)	TUBE QUANTITY (Cond/ Sub-cooler)	1" COPPER		
		0.025	0.028	0.035
		MT #266/260	MT #261	MT #262
M2	72	007-10589-003 (728515)	-	-
	18	007-10589-001 (728513)	-	-
M3	90	007-10589-003 (728515)	-	-
	18	007-10589-001 (728513)	-	-
M4	107	007-10589-003 (728515)	-	-
	18	007-10589-001 (728513)	-	-
M5	123	007-10589-003 (728515)	-	-
	18	007-10589-001 (728513)	-	-
N2	72	007-10589-004 (728516)	-	-
	18	007-10589-002 (728514)	-	-
N3	90	007-10589-004 (728516)	-	-
	18	007-10589-002 (728514)	-	-
N4	107	007-10589-004 (728516)	-	-
	18	007-10589-002 (728514)	-	-
N5	123	007-10589-004 (728516)	-	-
	18	007-10589-002 (728514)	-	-



*When replacing tubes, refer to the PIN structure (PIN50) to identify the vessel specific codes.*

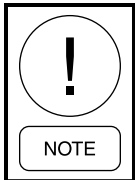
*See PIN structure (PIN 7, 8) and (PINs 67-69) to identify the specific condenser tubes.*

**NOTE:** YORK part number is identified by using xxx-xxxx-xxx, the SAP part number is identified within the parenthesis.

**TABLE 20 - CONDENSER TUBES (PIN 50=A/E)**

CONDENSER CODE (PIN 7,8)	TUBE QUANTITY (COND / SUB-COOLER)	3/4" COPPER			3/4" COPPER NICKEL		3/4" TITANIUM
		0.025	0.028	0.035	0.028	0.035	0.025
		MT #260	MT #261	MT #262	MT #201	MT #203	MT #2162
BB	140	007-10589-005 (728517)	007-10589-023 (1035845)	007-10589-026 (1035848)	007-10495-005 (1035826)	007-10495-008 (1035829)	007-10513-001 (1035842)
BC	160						
BD	175						
CB	140	007-10589-006 (728518)	007-10589-024 (1035846)	007-10589-027 (1035849)	007-10495-006 (1035827)	007-10495-009 (1035830)	007-10513-002 (1035843)
CC	160						
CD	175						
DB	140	007-10589-007 (728519)	007-10589-025 (1035847)	007-10589-028 (1035850)	007-10495-007 (1035828)	007-10495-010 (1035841)	007-10513-003 (1035844)
DC	160						
DD	175						
MB	162	007-10589-001 (728513)	007-10589-015 (986545)	007-10589-026 (1035848)	007-10495-001 (1035824)	007-10495-003 (986543)	-
MC	191						
MD	211						
ME	248			007-10589-027 (1035849)	007-10495-002 (1035825)		
NB	162	007-10589-002 (728514)	007-10589-016 (986546)	007-10589-027 (1035849)	007-10495-002 (1035825)	007-10495-004 (986544)	-
NC	191						
ND	211						
NE	248						

**NOTE:** YORK part number is identified by using xxx-xxxxx-xxx, the SAP part number is identified within the parenthesis.



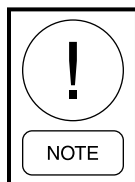
*When replacing tubes, refer to the PIN structure (PIN 50) to identify the vessel specific codes.*

*See PIN structure (PIN 7, 8) and (PINs 67-69) to identify the specific condenser tubes.*

**TABLE 20 (CONT'D) - CONDENSER TUBES (PIN 50=A/E)**

CONDENSER CODE (PIN 7,8)	TUBE QUANTITY (COND/ SUB-COOLER)	1" COPPER		
		0.025	0.028	0.035
		MT #266	MT #267	MT #268
M2	72	007-10589-003 (728515)	007-10589-017 (986547)	007-10589-021 (898062)
	18	007-10589-001 (728513)	007-10589-015 (986545)	007-10589-019 (898063)
M3	90	007-10589-003 (728515)	007-10589-017 (986547)	007-10589-021 (898062)
	18	007-10589-001 (728513)	007-10589-015 (986545)	007-10589-019 (898063)
M4	107	007-10589-003 (728515)	007-10589-017 (986547)	007-10589-021 (898062)
	18	007-10589-001 (728513)	007-10589-015 (986545)	007-10589-019 (898063)
M5	123	007-10589-003 (728515)	007-10589-017 (986547)	007-10589-021 (898062)
	18	007-10589-001 (728513)	007-10589-015 (986545)	007-10589-019 (898063)
N2	72	007-10589-004 (728516)	007-10589-018 (986548)	007-10589-022 (986550)
	18	007-10589-002 (728514)	007-10589-016 (986546)	007-10589-020 (986549)
N3	90	007-10589-004 (728516)	007-10589-018 (986548)	007-10589-022 (986550)
	18	007-10589-002 (728514)	007-10589-016 (986546)	007-10589-020 (986549)
N4	107	007-10589-004 (728516)	007-10589-018 (986548)	007-10589-022 (986550)
	18	007-10589-002 (728514)	007-10589-016 (986546)	007-10589-020 (986549)
N5	123	007-10589-004 (728516)	007-10589-018 (986548)	007-10589-022 (986550)
	18	007-10589-002 (728514)	007-10589-016 (986546)	007-10589-020 (986549)

**NOTE:** YORK part number is identified by using xxx-xxxx-xxx, the SAP part number is identified within the parenthesis.



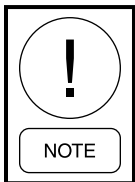
***When replacing tubes, refer to the PIN structure (PIN 50) to identify the vessel specific codes.***

***See PIN structure (PIN 7, 8) and (PINs 67-69) to identify the specific condenser tubes.***

**TABLE 21 - EVAPORATOR TUBES (PIN 50=G)**

EVAPORATOR CODE (PIN 7,8)	TUBE QUANTITY	3/4" COPPER			3/4" COPPER NICKEL		
		0.025	0.028	0.035	0.025	0.028	0.035
		MT #260	MT #261	MT #262	MT #162	MT #201	MT #203
<b>BB</b>	120	007W10595Y005 (679240)	007W10595Y823 (999214)	007W10595Y826 (999211)	-	-	-
<b>BC</b>	140						
<b>BD</b>	161						
<b>CB</b>	120	007W10595Y006 (679241)	007W10595Y824 (999213)	007W10595Y827 (999200)	-	-	-
<b>CC</b>	140						
<b>CD</b>	161						
<b>DB</b>	120	007W10595Y007 (679242)	007W10595Y825 (999212)	007W10595Y828 (999199)	-	-	-
<b>DC</b>	140						
<b>DD</b>	161						

**NOTE:** YORK part number is identified by using xxx-xxxx-xxx, the SAP part number is identified within the parenthesis.



*When replacing tubes, refer to the PIN structure (PIN 50) to identify the vessel specific codes.*

*See PIN structure (PIN 5, 6) and (PINs 54-56) to identify the specific evaporator tubes.*

**TABLE 22 - EVAPORATOR TUBES (PIN 50=A/E)**

EVAPORATOR CODE (PIN 7,8)	TUBE QUANTITY	3/4"			1"		
		0.025	0.028	0.035	0.025	0.028	0.035
		MT #321	MT #322	MT #323	MT #326	MT #327	MT #328
<b>BB</b>	120	007-10592-005 (728524)	007-10592-023 (1035851)	007-10592-026 (1035854)	-	-	-
<b>BC</b>	140						
<b>BD</b>	161						
<b>CB</b>	120	007-10592-006 (728525)	007-10592-024 (1035852)	007-10592-027 (1035855)	-	-	-
<b>CC</b>	140						
<b>CD</b>	161						
<b>DB</b>	120	007-10592-007 (728526)	007-10592-025 (1035853)	007-10592-028 (1035856)	-	-	-
<b>DC</b>	140						
<b>DD</b>	161						
<b>MB</b>	160	007-10592-001 (728522)	007-10592-015 (919472)	007-10592-019 (986554)	-	-	-
<b>MC</b>	200						
<b>MD</b>	230						
<b>ME</b>	260						
<b>NB</b>	160	007-10592-002 (728523)	007-10592-016 (986551)	007-10592-020 (986555)	-	-	-
<b>NC</b>	200						
<b>ND</b>	230						
<b>NE</b>	260						
<b>M2</b>	80	-	-	-	007-10592-003 (719030)	007-10592-017 (986552)	007-10592-021 (986556)
<b>M3</b>	95						
<b>M4</b>	110						
<b>M5</b>	129						
<b>N2</b>	80	-	-	-	007-10592-004 (719023)	007-10592-018 (986553)	007-10592-022 (986557)
<b>N3</b>	95						
<b>N4</b>	110						
<b>N5</b>	129						

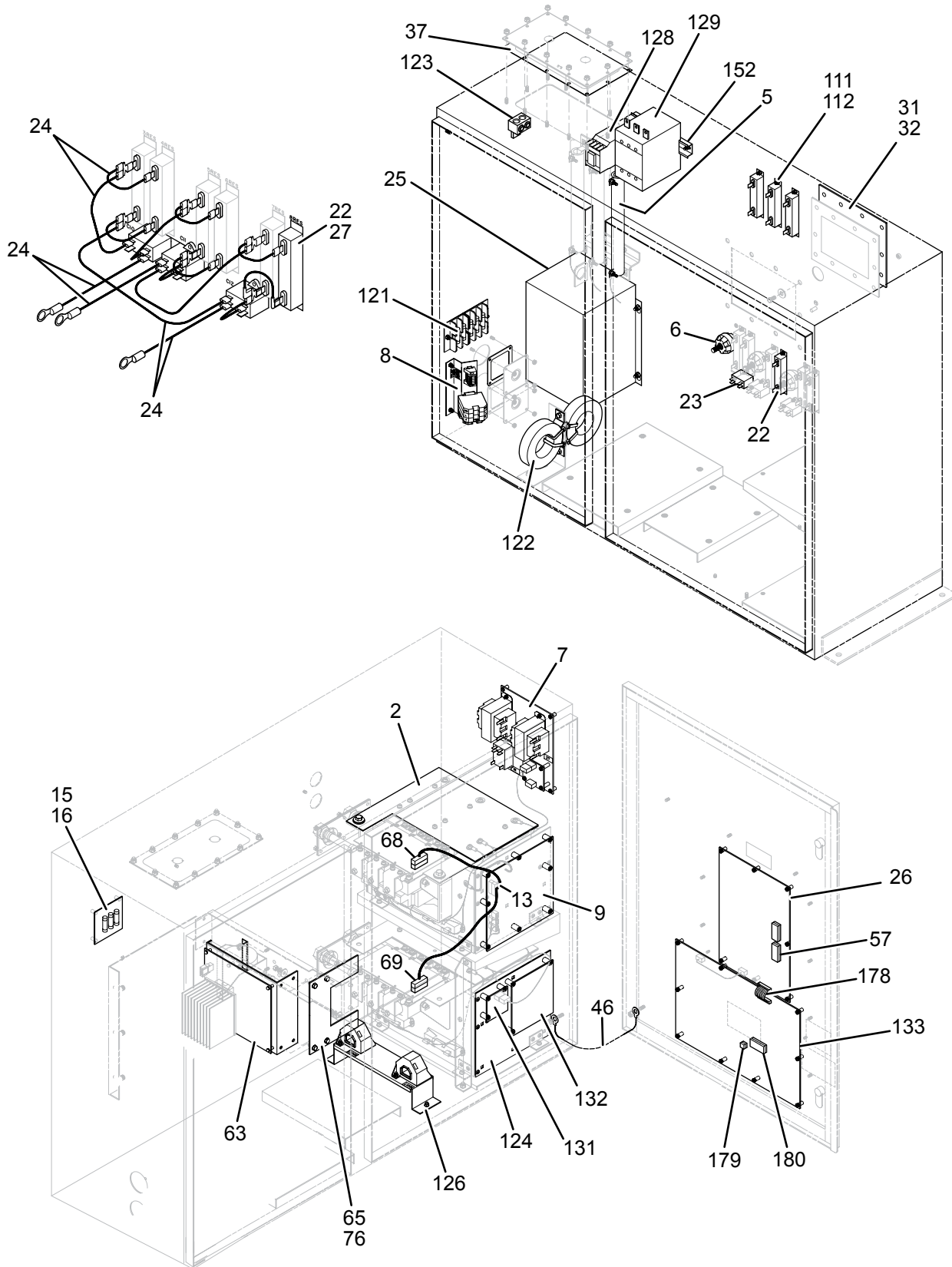
**NOTE:** YORK part number is identified by using xxx-xxxx-xxx, the SAP part number is identified within the parenthesis.

**TABLE 23 - VSD SINGLE SYSTEM FRAME B (PIN 20 & 21 = 50) (COMMON)**

ITEM	DESCRIPTION	PART NUMBER	SAP	QUANTITY	FIGURE
2	Power Assy 292/351 Hp Nema 4	371-02769-101	772149	1	23
3	Fan Assy	371-03715-342	772262	1	24
4	Trans Mtg Assy	371-02767-357	772116	1	24
5	Resistor	371-02767-344	772111	1	23,25
6	Standoff	371-02767-366	772119	3	23
7	Plate Mtg Transformer/Relay	371-02767-373	772122	1	23
8	Terminal Strip Assy	371-05623-375	916032	1	23
9	Control Trigger Board	031-02060-002	63166	1	23
10	Harness,Wiring	571-05625-261	916052	1	24,25
11	Wiring Power	571-02767-206	806902	1	25
12	Cable Assy 2Tb To VSD Logic(J16)	571-05623-274	1060768	1	24
13	Cable Trig To Gate Driver	571-02767-251	806904	1	23
15	Control Voltage	031-02453-000	743895	1	23
16	Fuse, Semi Conductor	025-38523-000	739590	3	23
19	Kit Circuit Breaker	024-38125-000	1088783	1	24,25
21	Inductor Viper 424/351	025-41692-000	740002	1	25
22	Resistor, Power Wirewound	025-35953-000	117824	1	23
23	Capacitor Dv/Dt Network	025-39806-000	251765	3	23
24	Wiring Dvdt Network	571-02767-211	806903	1	23
25	Transformer 3Kva, 380/400/415	025-32983-000	117599	1	23
26	Control, VSD Logic Board	031-02506-102	988651	1	23
27	Thermal Pad, Resistor, 1" Wide	028-15299-000	742121	6	23
28	Clamp Tube 1" Od, Vinyl	021-30744-000	730644	1	26
30	Clamp Tube 3/4 Od, Vinyl	021-18001-000	730126	1	26
31	Gasket Cover	028-15340-000	742132	1	23
32	Cover Plate	371-05627-331	916038	1	23
37	Gasket Cover Plate Frick	028-15368-000	742138	1	23
43	Fitting, Hose, Straight,	023-20286-000	733194	2	26
44	Tube Plastic, Polyurethane	028-14439-000	741873	3.5'	26
45	Clamp Hose, Screw Head, 5/16"	021-17547-000	730066	4	26
46	Strap Grounding	525-32508-001	806677	2	23,24
57	Flash Control VSD	031-02547-102	913752	1	23
63	Control Inverter 50/60 Hz	371-02202-101	771609	1	23
65	Bracket Inverter Mounting	071-03700-300	748630	1	23
68	Cable Gate Driver To Logic	571-02767-281	124157	1	23,24
69	Cable Shielded Cable Gate Dr	571-02768-221	806911	1	23,24
76	Cable Shielded Cable	571-05192-201	807092	1	23,24
77	Cable 519 Shielded Cables	571-02768-271	806913	1	24
78	Cable 519 Shielded Cables	571-02768-272	806914	1	24
111	Resistor, 400 Ohm, 100W	025-46898-000	-	3	23
112	EMI Harness	571-05628-261	-	1	23

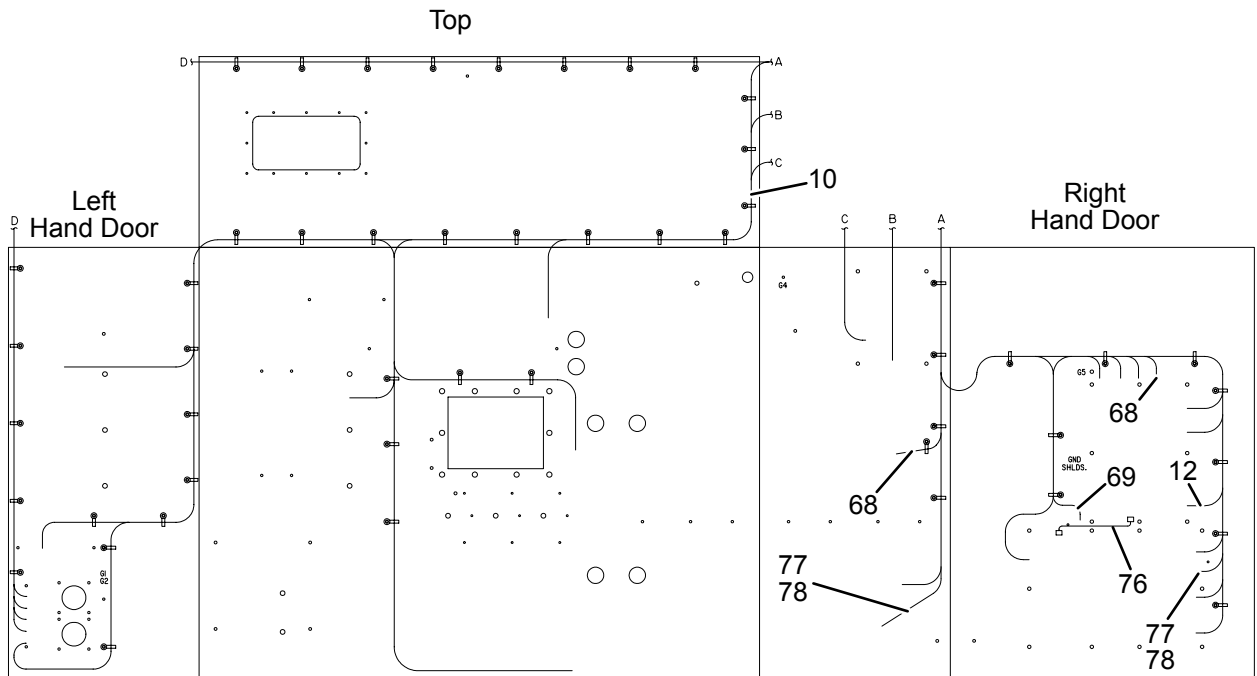
**TABLE 24 - VSD SINGLE SYSTEM FRAME B (PIN 20 & 21 = 50) (MODEL SPECIFIC)**

ITEM	DESCRIPTION	WITHOUT FILTER		WITH FILTER		FIGURE
		PART NUMBER	SAP	PART NUMBER	SAP	
121	Fuse Assy	371-05621-379	916023	371-05621-379	916023	23
122	Trans Input Current 351 Hp VSD	-	-	371-02767-347	772112	23
123	Lug Elec Double Barrel	025-35173-000	117722	025-35173-000	117722	23
124	Power Assy Harmonic Filter	-	-	371-02768-101	772133	23
125	Trap High Freq Drive	-	-	371-02768-349	772139	24
126	Filter Output Assy Ct	-	-	371-02767-352	772114	23
127	Inductor Harmonic Filter 351Hp	-	-	025-35177-000	739145	25
128	Contactora 3 Pole 32A 600 Vac	-	-	024-30985-000	735841	23
129	Contactora 3 Pole 125A 600	-	-	024-35434-000	736286	23
130	Manifold Distr Drive	023-21710-000	440566	023-20822-000	733338	26
131	Control Tme Bus Isolator	-	-	031-01624-000	743779	23
132	Control IEEE-519	-	-	031-02022-000	65064	23
133	Control IEEE 519 Logic Board	-	-	031-02932-031	744205	23
134	Fuseholder 1 Pole 400Amp 1000V	-	-	025-30993-000	738535	25
135	Fuse, Semiconductor 150A	-	-	025-32581-000	738746	25
136	Wiring 519 Power Drive	-	-	571-02768-201	806908	25
141	Plug Rubber	028-14499-000	741895	-	-	26
152	Rail Contactora Mounting	-	-	071-02767-385	748556	23
157	Fitting, Flare, 90 Deg, Brass	023-20284-000	692418	023-20284-000	692418	26
158	Fitting, Hose, Straight, Nylon	023-20285-000	692417	023-20285-000	692417	26
159	Tube Plastic, Polyurethane	028-14491-000	741890	028-14491-000	741890	26
160	Clamp Hose 11/16 Min Dia	023-08856-000	617439	023-08856-000	617439	26
168	Reservoir Cooling System 351	371-02767-361	772117	371-02767-361	772117	26
178	Cable	-	-	031-01658-000	743799	23
179	Prom Serial 02932 IEEE 519	-	-	031-02933-003	744213	23
180	Eprom 519 Logic	-	-	031-01633-007	743787	23
182	Plate Cover 292/351	371-03712-386	772250	-	-	26
183	Gasket Pipe Seal 292/351	028-15039-000	741959	-	-	26
190	Heat Exchanger Drive	371-02767-389	772126	371-02767-389	772126	26
191	Pump Up26-99F 115V 6H 1Ph 60Hz	026-33890-000	3590	026-33890-000	3590	26
192	Elbow Screw Street 1/2 -	023-01689-000	617258	023-01689-000	617258	26
193	Valve Boiler Drain 1/2 Npte	022-10090-000	692414	022-10090-000	692414	26
194	Flange Set Scr Oval 1-1/2	023-20283-000	733193	023-20283-000	733193	26
195	Connr, Conduit Flex Angle	025-31316-000	435091	025-31316-000	435091	26
196	Conduit Flexible Id=1/2In Id=.571In Ps	025-30473-000	618151	025-30473-000	618151	26
197	Clamp Hose 2-5/8 Min Dia	021-19150-000	564227	021-19150-000	564227	26
198	Bracket Clamp Fill Pipe VSD	071-02291-420	748189	071-02291-420	748189	26
199	Nipple Pipe 1-1/2 Sch 40 X	023-18209-000	60695	023-18209-000	60695	26

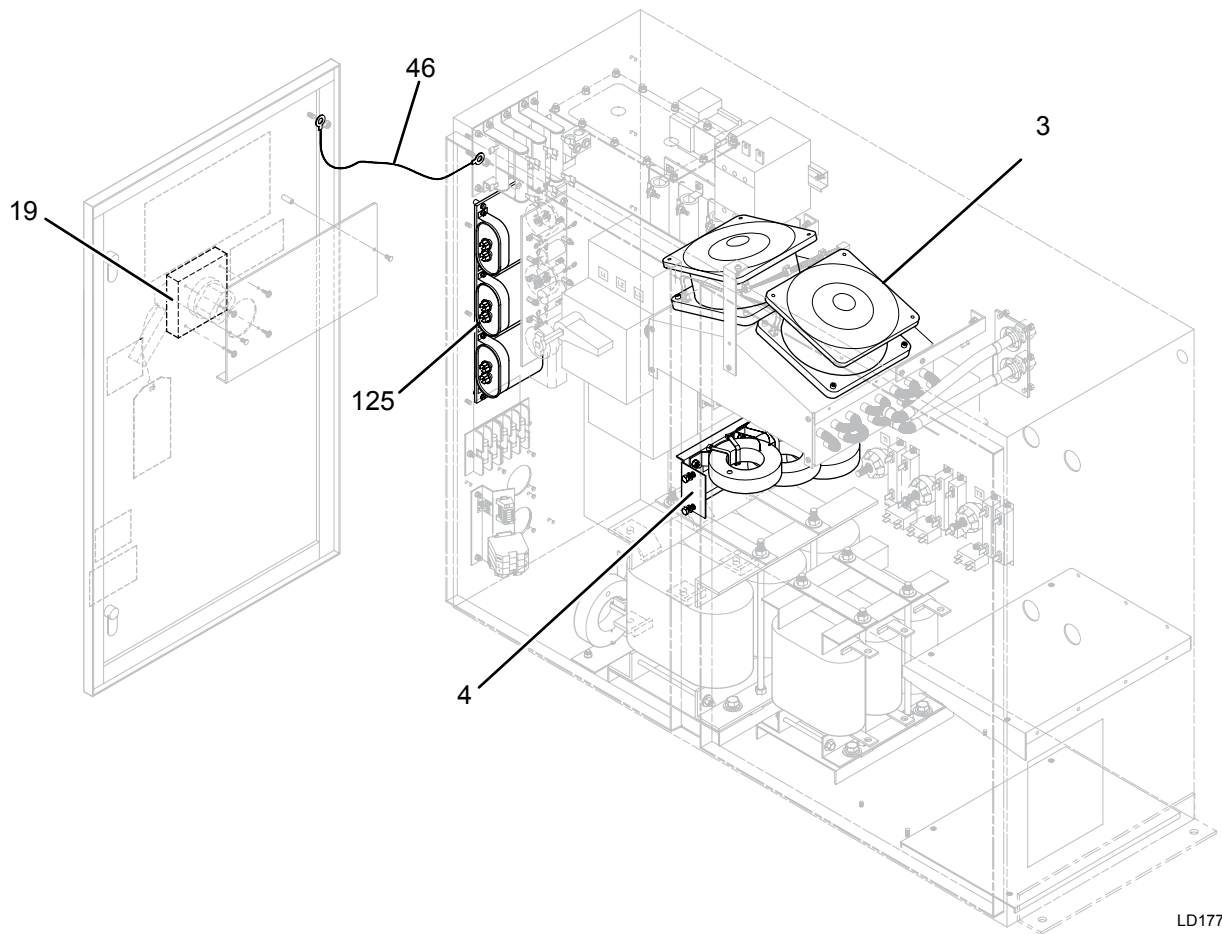


LD17790a

FIGURE 23 - VSD SINGLE SYSTEM FRAME B (PIN 20 & 21 = 50)

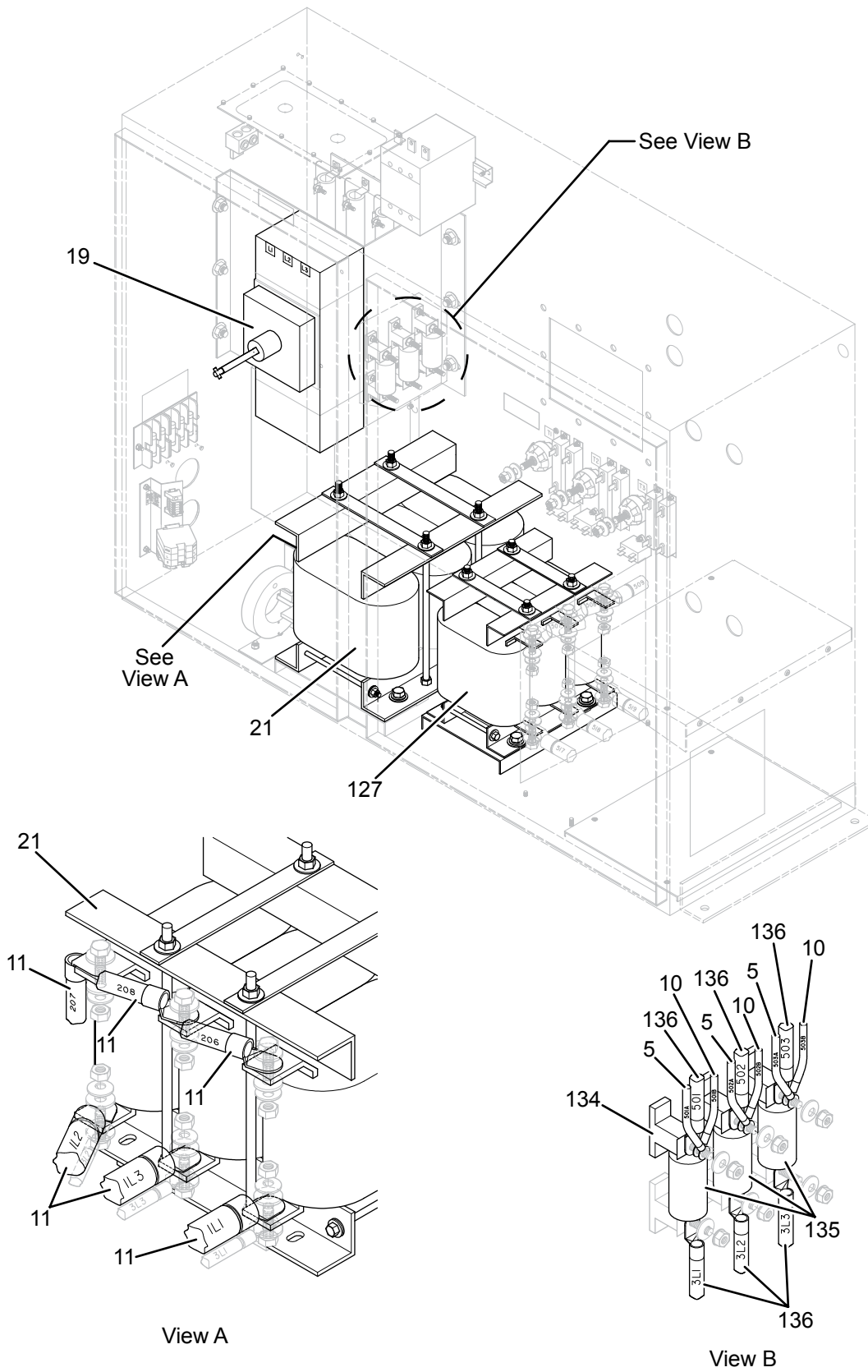


Interior View of Cabinet Shown With Wiring Harness Installed



LD17789a

FIGURE 24 - VSD SINGLE SYSTEM FRAME B (PIN 20 & 21 = 50)



LD17791a

**FIGURE 25 - VSD SINGLE SYSTEM FRAME B (PIN 20 & 21 = 50)**



**TABLE 25 - VSD SINGLE SYSTEM FRAME B (COMMON)**

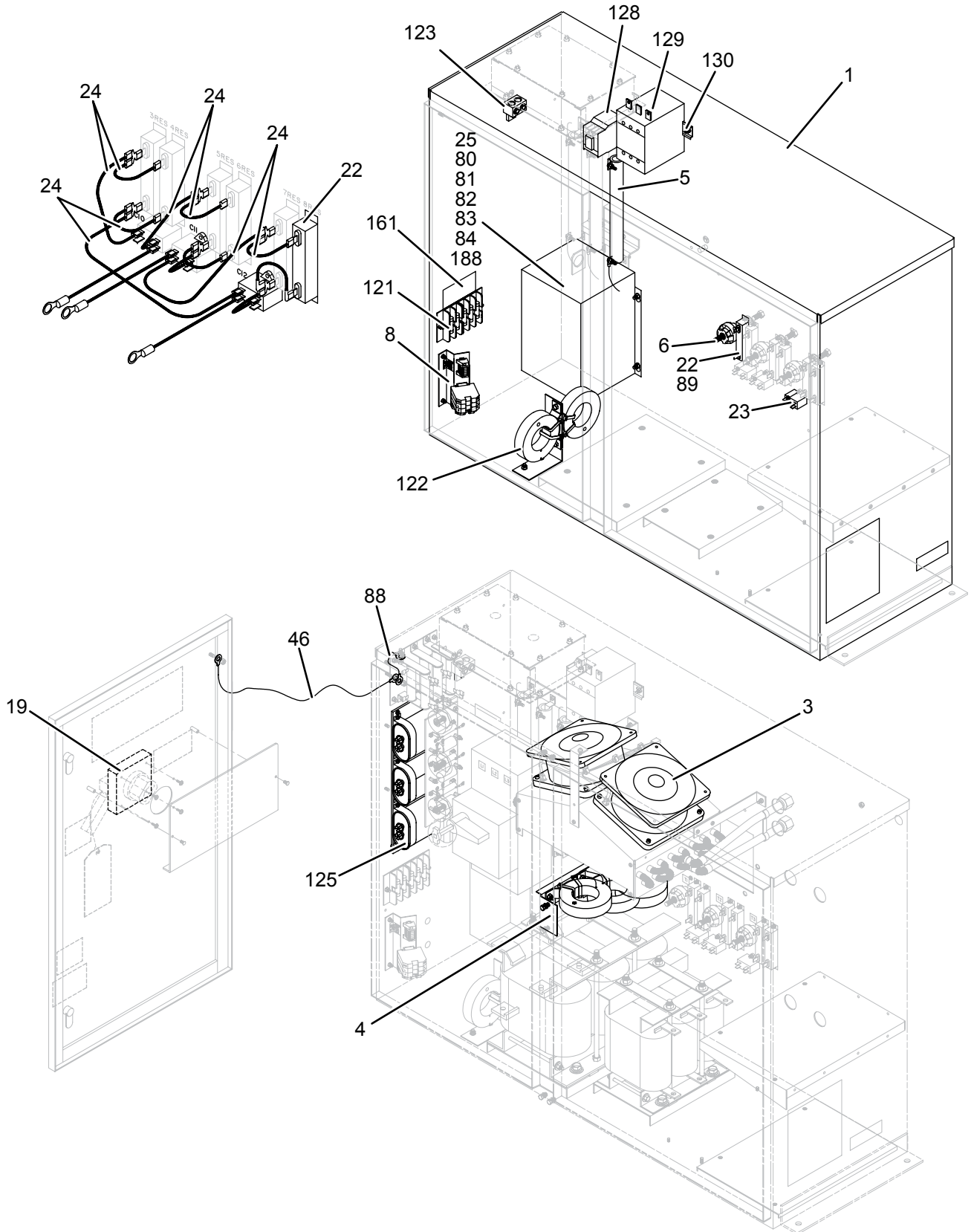
ITEM	VOLTAGE (PIN 20 & 21)	DESCRIPTION	PART NUMBER	SAP	FIGURE
1	17, 28, 40, 46, 65, 68	Kit, Enclosure	371-05623-301	916029	27,29
	58		371-06024-301	916048	
2	17, 28, 40, 46, 65, 68	Power Assy 292/351 Hp Nema 1	371-02769-100	772148	29
	58	Power Assy 424 Hp Nema 1 575V	371-02769-110	772150	
3	17, 28, 40, 46, 58	Fan Assy Drive	371-02767-342	772110	27
	65, 68		371-03700-342	772224	
4	17, 28, 40, 46, 58, 65, 68	Trans Mtg Assy Drive	371-02767-357	772116	27
5	17, 28, 40, 46, 58, 65, 68	Resistor Drive	371-02767-344	772111	27,29
6	17, 28, 40, 46, 58, 65, 68	Standoff Drive	371-02767-366	772119	27
7	17, 28, 40, 46, 58, 65, 68	Plate Mtg Transformer/Relay	371-02767-373	772122	29
8	17, 28, 40, 46, 58, 65, 68	Terminal Strip Assy	371-05623-375	916032	27
9	17, 28, 46	Control Trigger Board	031-02060-001	743858	29
	40, 65, 68		031-02060-002	63166	
	58		031-02060-003	743859	
10	17, 28, 46	Harness,Wiring	571-05623-261	916051	28
	40, 65, 68		571-05625-261	916052	
	58		571-06024-261	916053	
11	17, 28, 40, 46, 65, 68	Wiring, Power Drive	571-02767-206	806902	28
	58		571-04881-206	807071	
13	17, 28, 40, 46, 58, 65, 68	Cable Trig To Gate Driver	571-02767-251	806904	29
14	17, 28, 40, 46, 58, 65, 68	Reservoir Cooling System 351	371-02767-361	772117	30
16	17, 28, 40, 46, 58, 65, 68	Heat Exchanger Drive	371-02767-389	772126	30
17	17, 28, 40, 46, 58, 65, 68	Pump Up26-99F 115V 6H 1Ph 60Hz	026-33890-000	3590	30
18	17, 28, 40, 46, 58, 65, 68	Calibrated Circuit Breaker 400A	224-35428-000	769674	28
19	17, 28, 40, 46, 58, 65, 68	Kit Circuit Breaker	024-38125-000	1088783	27,28
20	17, 28, 40, 46, 58, 65, 68	Control Voltage	031-02453-000	743895	29
21	17, 28, 40, 46, 58, 65, 68	Inductor 424/351	025-41692-000	740002	28
22	17, 28, 40, 46, 58, 65, 68	Resistor, Power Wirewound	025-35953-000	117824	27
23	17, 28, 40, 46, 58, 65, 68	Capacitor Dv/Dt Network	025-39806-000	251765	27
24	17, 28, 40, 46, 65, 68	Wiring DVDT Network	571-02767-211	806903	27
	58		571-04881-211	807072	
25	65, 68	Transformer 3Kva, 380/400/415	025-32983-000	117599	27
	58	Transformer 3Kva, 600V	025-40381-000	739812	
26	17, 28, 40, 46, 65, 68	Control, VSD Logic Board	031-02506-102	988651	29
	58		031-02506-103	1085013	
27	17, 28, 40, 46, 58, 65, 68	Elbow Screw Street 1/2 -	023-01689-000	617258	30
28	17, 28, 40, 46, 58, 65, 68	Valve Boiler Drain 1/2 Npte	022-10090-000	692414	30
29	17, 28, 40, 46, 58, 65, 68	Sealer, Pipe Thd Compound,	013-03487-000	729128	30
30	17, 28, 40, 46, 58, 65, 68	Clamp Tube 3/4 Od, Vinyl	021-18001-000	730126	30
31	17, 28, 40, 46, 58, 65, 68	Flange Set Scr Oval 1-1/2	023-20283-000	733193	30
32	17, 28, 40, 46, 58, 65, 68	Connr, Conduit Flex Angle	025-31316-000	435091	30
33	17, 28, 40, 46, 58, 65, 68	Conduit Flexible Id=1/2In Id=.571In Ps	025-30473-000	618151	30
36	17, 28, 40, 46, 58, 65, 68	Nipple Pipe 1-1/2 Sch 40 X	023-18209-000	60695	30
44	17, 28, 40, 46, 58, 65, 68	Tube Plastic, Polyurethane	028-14439-000	741873	30

**TABLE 25 (CONT'D) - VSD SINGLE SYSTEM FRAME B (COMMON)**

ITEM	VOLTAGE (PIN 20 & 21)	DESCRIPTION	PART NUMBER	SAP	FIGURE
45	17, 28, 40, 46, 58, 65, 68	Clamp Hose, Screw Head, 5/16"	021-17547-000	730066	29,30
46	17, 28, 40, 46, 58, 65, 68	Strap Grounding	525-32508-001	806677	27
59	17, 28, 40, 46, 58, 65, 68	Eeprom, VSD Logic Board	031-03422-010	947512	29
61	17, 28, 40, 46, 58, 65, 68	Tophat Retrofit 503 Drive	371-04144-311	772433	29
63	65, 68	Control Inverter 50/60 Hz	371-02202-101	771609	29
68	17, 28, 40, 46, 58, 65, 68	Cable Gate Driver to Logic	571-02767-281	124157	29
69	17, 28, 40, 46, 65, 68	Cable Shielded Cable Gate Dr	571-02768-221	806911	29
	58		571-04881-231	807074	
80	17, 28, 40, 46, 58, 65, 68	Ferr Splice Cap for use with	025-10434-000	737259	27
81	17, 28, 40, 46, 58, 65, 68	Insr Elec for use with	025-10435-000	737260	27
82	58, 65, 68	Ferr Splice Cap for use with	025-10372-000	737258	27
83	58, 65, 68	Insr Elec for use with	025-10371-000	737257	27
84	17, 28, 40, 46, 58, 65, 68	Bush Snap 7/8 Id Hole	025-12016-000	737325	27
88	17, 28, 40, 46, 58, 65, 68	Strap Ground	525-37839-001	806679	27
89	17, 28, 40, 46, 58, 65, 68	Thermal Pad, Resistor	028-15299-000	742121	27
92	17, 28, 40, 46, 58, 65, 68	Fuse, Semi Conductor	025-38523-000	739590	29
94	17, 28, 40, 46, 58, 65, 68	Cable Assy 2Tb to VSD Logic (J16)	571-05623-274	1060768	*
95	17, 28, 40, 46, 58, 65, 68	Cable Shielded Cable	571-05192-201	807092	29

**TABLE 26 - VSD SINGLE SYSTEM FRAME B (MODEL SPECIFIC)**

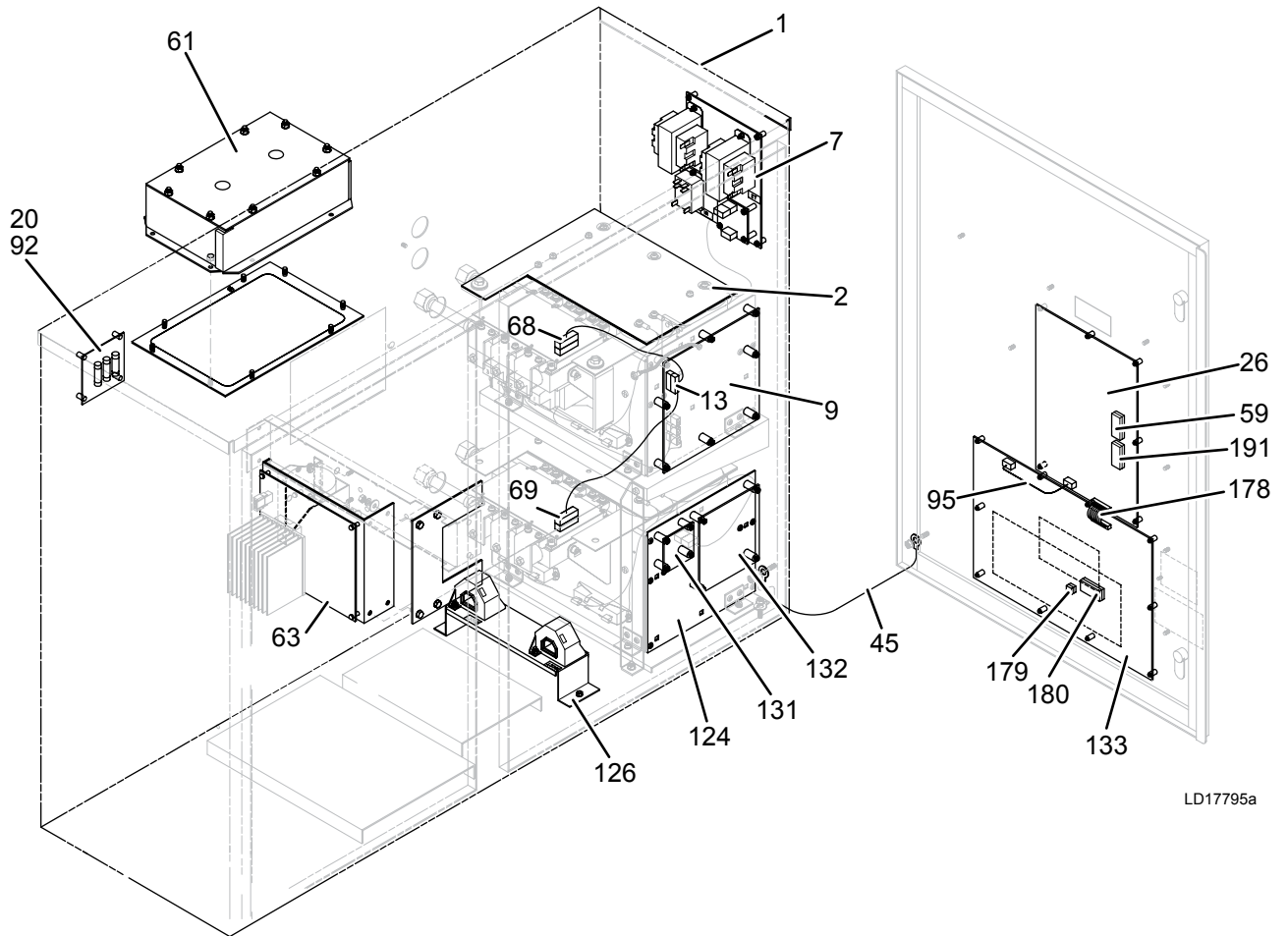
ITEM	VOLTAGE (PIN 20 & 21)	DESCRIPTION	WITHOUT FILTER		WITH FILTER		FIGURE
			PART NUMBER	SAP	PART NUMBER	SAP	
121	17, 28, 40, 46, 65, 68	Fuse Assy	371-05621-379	916023	371-05621-379	916023	27
	58		371-06024-379	916050	371-06024-379	916050	
122	17, 28, 40, 46, 65, 68	Trans Input Current	-	-	371-02767-347	772112	27
	58	351 Hp VSD	-	-	371-04881-347	772781	
123	17, 28, 40, 46, 58, 65, 68	Lug Elec Double Barrel	025-35173-000	117722	025-35173-000	117722	27
124	17, 28, 40, 46, 58, 65, 68	Power Assy Harmonic Filter	-	-	371-02768-100	772132	29
125	17, 28, 40, 46, 58, 65, 68	Trap High Freq Drive	-	-	371-02768-349	772139	27
126	17, 28, 40, 46, 58, 65, 68	Filter Output Assy Ct	-	-	371-02767-352	772114	29
127	17, 28, 40, 46, 65, 68	Inductor Harmonic Filter	-	-	025-35177-000	739145	28
	58	351Hp	-	-	025-40374-000	739806	
128	17, 28, 40, 46, 58, 65, 68	Contacto 3 Pole 32A 600 Vac	-	-	024-30985-000	735841	27
129	17, 28, 40, 46, 58, 65, 68	Contacto 3 Pole 125A 600	-	-	024-35434-000	736286	27
130	17, 28, 40, 46, 58, 65, 68	Rail Contacto Mounting	-	-	071-02767-385	748556	27
131	17, 28, 40, 46, 58, 65, 68	Control Tme Bus Isolator	-	-	031-01624-000	743779	29
132	17, 28, 40, 46, 65, 68	Control IEEE-519	-	-	031-02022-000	65064	29
	58		-	-	031-02022-001	743845	
133	17, 28, 40, 46, 65, 68	Control IEEE 519 Logic Board	-	-	031-02932-031	744205	29
	58		-	-	031-02932-101	744210	
134	17, 28, 40, 46, 58, 65, 68	Fuseholder 1 Pole 400Amp 1000V	-	-	025-30993-000	738535	28
135	17, 28, 40, 46, 65, 68	Fuse, Semiconductor 150A,	-	-	025-32581-000	738746	28
	58	Fuse, Semiconductor 160A,	-	-	025-40404-000	739823	
136	17, 28, 40, 46, 65, 68	Wiring 519 Power Drive	-	-	571-02768-201	806908	28
	58	Wiring 424 519 Pwr	-	-	571-04881-201	807070	
141	17, 28, 40, 46, 58, 65, 68	Plug Rubber	028-14499-000	741895	-	-	30
157	17, 28, 40, 46, 58, 65, 68	Fitting, Flare, 90 Deg, Brass	023-20284-000	692418	023-20284-000	692418	30
158	17, 28, 40, 46, 58, 65, 68	Fitting, Hose, Straight, Nylon	023-20285-000	692417	023-20285-000	692417	30
159	17, 28, 40, 46, 58, 65, 68	Tube Plastic, Polyurethane	028-14491-000	741890	028-14491-000	741890	30
160	17, 28, 40, 46, 58, 65, 68	Clamp Hose 11/16 Min Dia	023-08856-000	617439	023-08856-000	617439	30
161	17, 28, 40, 46, 58, 65, 68	Strip Marker (Fuse)	035-23304-000	916000	035-23304-000	916000	27
176	17, 28, 40, 46, 58, 65, 68	Manifold Distribution	-	-	023-20822-000	733338	30
178	17, 28, 40, 46, 58, 65, 68	Cable	-	-	031-01658-000	743799	29
179	17, 28, 40, 46, 58, 65, 68	Prom Serial 02932 IEEE 519	-	-	031-02933-003	744213	29
180	17, 28, 40, 46	Eprom 519 Logic U42	-	-	031-01633-006	743786	29
	65, 68		-	-	031-01633-007	743787	
	58		-	-	031-01633-008	743788	
184	17, 28, 40, 46, 58, 65, 68	Manifold Distribution	023-20842-000	733342	-	-	30
188	17, 28, 46	Transformer 1 3Kva, 240/480	025-31499-000	738608	025-31499-000	738608	27
	40	Transformer 3Kva, 380/400/415	025-32983-000	117599	025-32983-000	117599	
191	17, 28, 46, 65	Flash Control VSD	031-02547-102	913752	031-02547-102	913752	29
	40, 68		031-02547-105	913755	031-02547-105	913755	



LD17793a

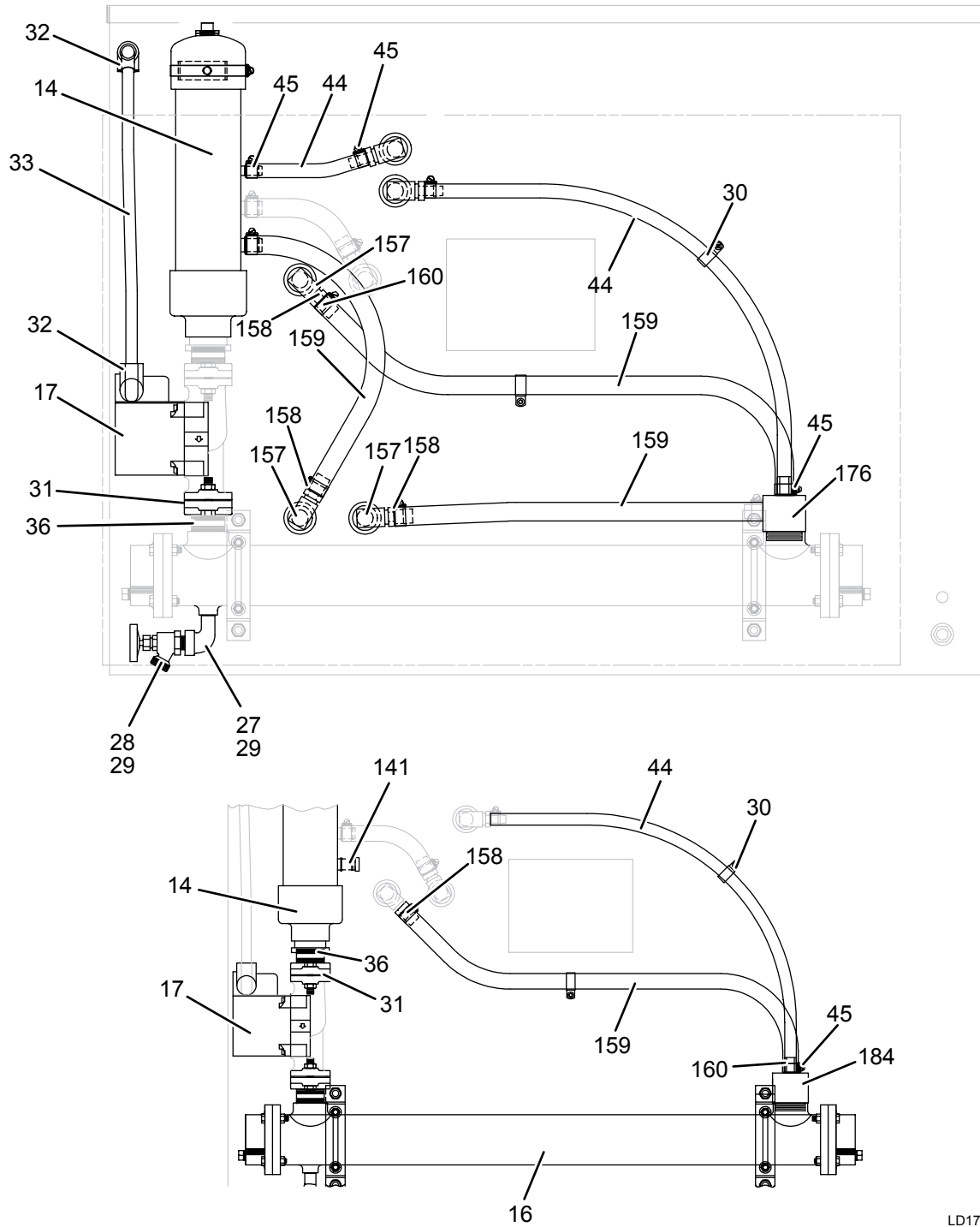
**FIGURE 27 - VSD SINGLE SYSTEM FRAME B**





LD17795a

**FIGURE 29 - VSD SINGLE SYSTEM FRAME B**



LD17796a

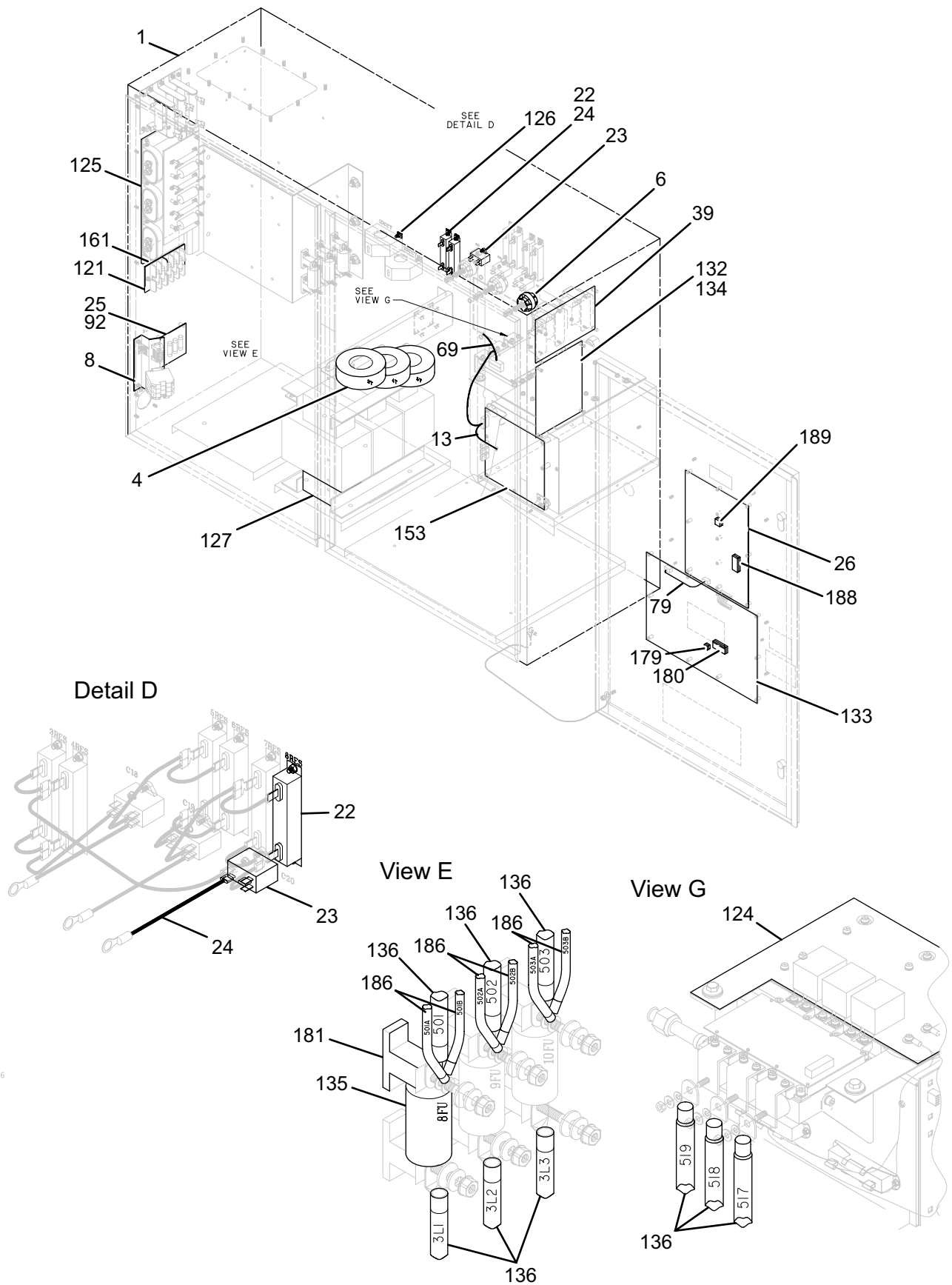
FIGURE 30 - VSD SINGLE SYSTEM FRAME B

**TABLE 27 - VSD SINGLE SYSTEM FRAME D (PIN 20 & 21 = 50) (COMMON)**

ITEM	DESCRIPTION	PART NUMBER	SAP	QUANTITY	FIGURE
1	Kit Enclosure	371-05627-301	995426	1	31
2	Power Assy 503/419 Hp Nema 4	371-03787-101	772287	1	32
4	Trans Mtg Assy Drive 503	371-03789-357	772339	1	31
5	Support Coil Assy Drive	071-03789-331	748725	1	32
6	Standoff, Drive 503Hp	371-03789-371	772343	3	31
7	Lug Kit	024-34027-000	736062	3	32
8	Terminal Strip Assy	371-05623-375	916032	1	31
11	Harness 503 Pwr Wire	571-03789-206	806949	1	32
12	Cable	571-03788-274	806948	1	33
13	Cable 503 Trig To Gate	571-03789-251	806951	1	31,32,33
15	Manifold Distr Drive	023-21710-000	440566	1	33
18	Calibrated Cir.brkr 400 A	224-35428-000	769674	1	32
19	Kit, Door Mtg.,503Hp Nema 4	024-35396-000	736281	1	32
21	Inductor Drive 608/503	025-41693-000	641006	1	32
22	Resistor, Power Wirewound	025-35953-000	117824	6	31
23	Capacitor Dv/Dt Network	025-39806-000	251765	3	31
24	Harness 503 Dvdt	571-03789-211	806950	1	31
25	Control Voltage	031-02453-000	743895	1	31
26	Control, VSD Logic Board	031-02506-102	988651	1	31
30	Cover Plate	371-05627-331	916038	1	32
31	Gasket Retrofit Cover	028-15340-000	742132	1	32
37	Gasket Cover Plate Drive	028-15339-000	742131	1	32
39	Trans Relay Drive 503 Hp	371-03789-373	772344	1	31
42	Cover Plate, Trident Single VSD	071-05627-329	1164033	1	32
56	Gasket Control Panel Sys 3"	028-15338-000	742130	1	32
63	Fitting, Hosw, 90 Deg, Nylon	023-21757-000	733420	1	33
64	Clamp Hose 1-1/16 Min Dia	021-12930-000	147486	4	33
68	Cable Gate Driver To Logic	571-03789-281	806955	1	32,33
69	Cable 503 Gate To Filtr	571-03788-221	806942	1	31,32
73	Insulation Circuit Breaker 503	071-03789-374	748731	1	32
77	Cable 503 Fltr To 1Dcct	571-03788-271	806945	1	33
78	Cable 503 Fltr To 2Dcct	571-03788-272	806946	1	33
79	Cable Shielded Cable	571-05192-201	807092	1	31,33
92	Fuse, Semi Conductor	025-38523-000	739590	3	31
93	Gasket Pipe Seal 503/419	028-15423-000	742144	4	32
94	Grom 5/8 OD Tubing:	028-04873-000	741429	4	32
95	Plate Pipe Seal 503/419	071-03791-379	748765	1	32
96	Gasket Pipe Seal 503/419	028-15114-000	742076	1	32
97	Grom 1-1/8 Od Tubing	028-04791-000	741425	1	32
111	Resistor, 400 Ohm, 100W	025-46898-000	-	3	23
112	EMI Harness	571-05628-261	-	1	23

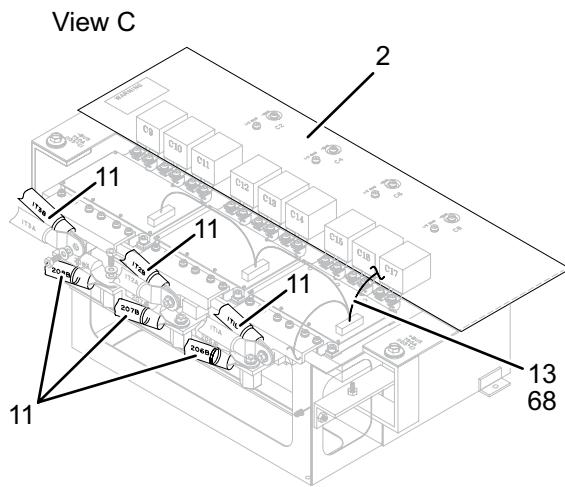
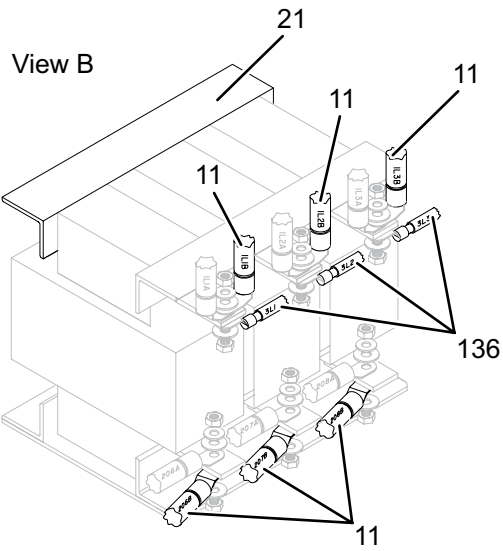
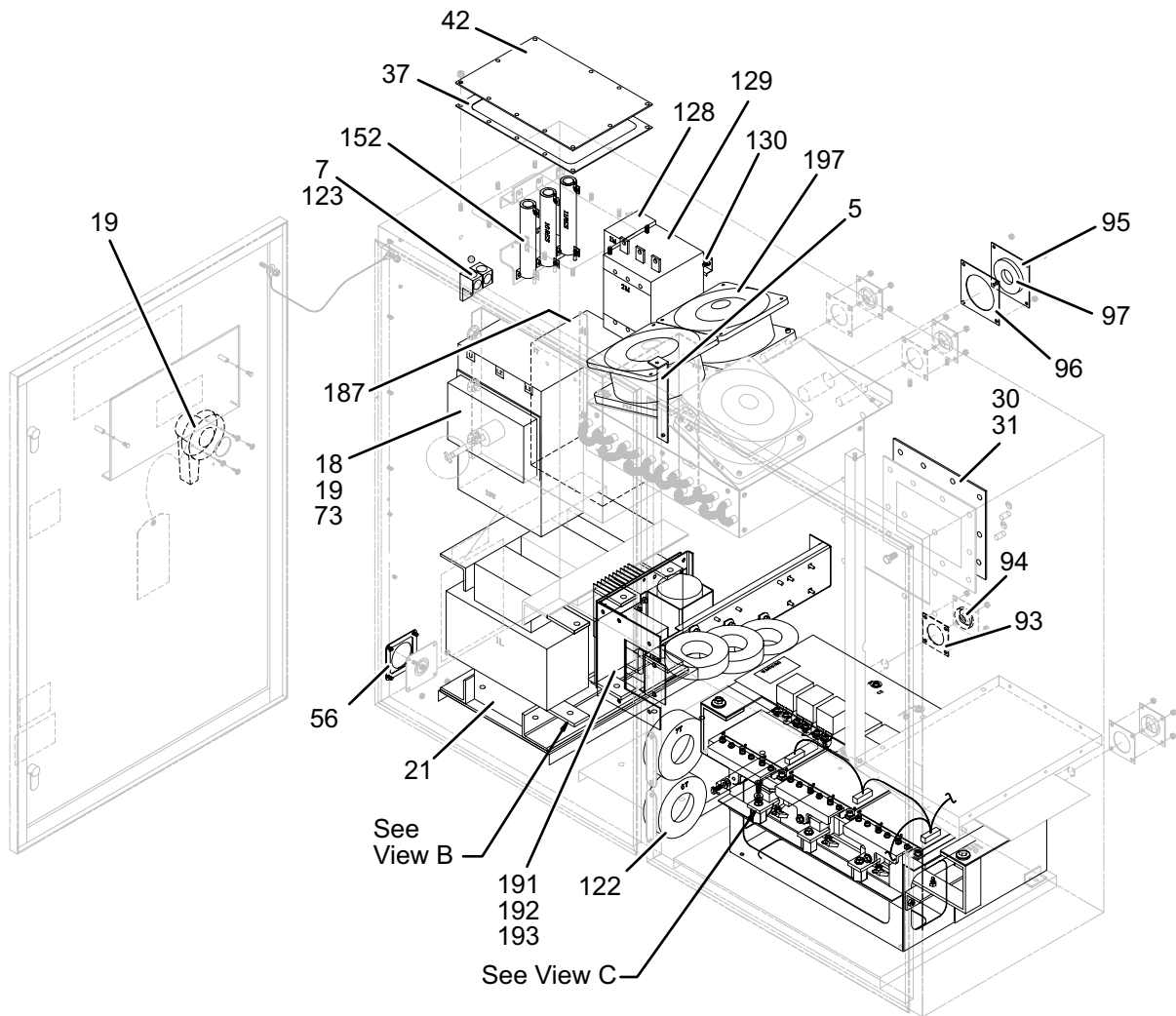
**TABLE 28 - VSD SINGLE SYSTEM FRAME D (PIN 20 & 21 = 50) (MODEL SPECIFIC)**

ITEM	DESCRIPTION	WITHOUT FILTER		WITH FILTER		FIGURE
		PART NUMBER	SAP	PART NUMBER	SAP	
121	Fuse Assy	371-05621-379	916023	371-05621-379	916023	31
122	Wiring Transformer Assy	-	-	531-01660-001	806680	32
123	Lug Elec Wire Range No 6	025-20939-000	737625	025-20939-000	737625	32
124	Power Assy Nema 1 503/419 Hp	-	-	371-03788-101	772304	31
125	Trap High Freq Drive	-	-	371-03788-349	772311	31
126	Transducer Current 300A Rms Lem	-	-	025-30994-000	738536	31
127	Inductor Harmonic Filter 503	-	-	025-38135-000	739557	31
128	Contactora 3 Pole 32A 600 Vac	-	-	024-30985-000	735841	32
129	Contactora, 3 Pole, 170 A, 600V	-	-	024-35433-000	556072	32
130	Rail Contactora Mtg Drive	-	-	071-03788-385	748715	32
132	Control IEEE-519	-	-	031-02022-000	65064	31
133	Control IEEE 519 Logic Board	-	-	031-02932-042	744209	31
134	Plate Component Mtg 503 Hp	-	-	071-03789-362	748728	31
135	Fuse, Semiconductor 200A,	-	-	025-30992-000	738534	31
136	Harness 503 519 Pwr	-	-	571-03788-201	806940	31,32
152	Resistor Drive 503 Hp	-	-	371-03788-344	772309	32
153	Control Trigger Board	-	-	031-02060-002	63166	31
157	Tube Plastic, Polyurethane	028-14437-000	741872	028-14437-000	741872	33
158	Fitting, Hose 90 Degree Nylon	023-21756-000	733419	023-21756-000	733419	33
159	Tube Plastic, Polyurethane	028-14491-000	741890	028-14491-000	741890	33
160	Clamp Hose 11/16 Min Dia	023-08856-000	617439	023-08856-000	617439	33
161	Strip Marker (Fuse)	035-23304-000	916000	035-23304-000	916000	31
168	Reservoir Cooling System	-	-	371-03789-361	772340	33
179	Prom Serial 02932 IEEE 519	-	-	031-02933-003	744213	31
180	Eprom 519 Logic	-	-	031-01633-007	743787	31
181	Fuseholder 1 Pole 400Amp 1000V	-	-	025-30993-000	738535	31
183	Gasket Pipe Seal 292/351 Vyper	028-15039-000	741959	-	-	33
184	Clamp Tube 1" Od, Vinyl	-	-	021-30744-000	730644	33
186	Harness Wiring Main	571-05621-263	995433	571-05621-263	995433	31
187	Transformer 3Kva, 380/400/415	025-32983-000	117599	025-32983-000	117599	32
188	Flash Control VSD	031-02547-102	913752	031-02547-102	913752	31
189	Eeprom, VSD Logic Board	031-03422-010	947512	031-03422-010	947512	31
191	Control Inverter 50/60 Hz	371-02202-101	771609	371-02202-101	771609	32
192	Bracket Inverter Mounting	071-03700-300	748630	071-03700-300	748630	32
193	Support Inverter 50 Hz	071-03700-305	748631	071-03700-305	748631	32
197	Fan Assy 50 Hz Units	371-03791-343	772382	371-03791-343	772382	32
200	Orifice Non-Filter Units	023-21759-000	733421	023-21759-000	733421	33
202	Heat Exchanger Drive	371-02767-389	772126	371-02767-389	772126	33
203	Pump Up26-99F 115V 6H 1Ph 60Hz	026-33890-000	3590	026-33890-000	3590	33
204	Elbow Screw Street 1/2 -	023-01689-000	617258	023-01689-000	617258	33
205	Valve Boiler Drain 1/2 Npte	022-10090-000	692414	022-10090-000	692414	33
206	Flange Set Scr Oval 1-1/2	023-20283-000	733193	023-20283-000	733193	33
207	Connr, Conduit Flex Angle	025-31316-000	435091	025-31316-000	435091	33
208	Conduit Elec Flex 1/2 Liquid	025-30473-001	738505	025-30473-001	738505	33
209	Clamp Hose 2-5/8 Min Dia	021-19150-000	564227	021-19150-000	564227	33
210	Bracket Clamp Fill Pipe VSD	071-02291-420	748189	071-02291-420	748189	33
211	Nipple Pipe 1-1/2 Sch 40 X	023-18209-000	60695	023-18209-000	60695	33



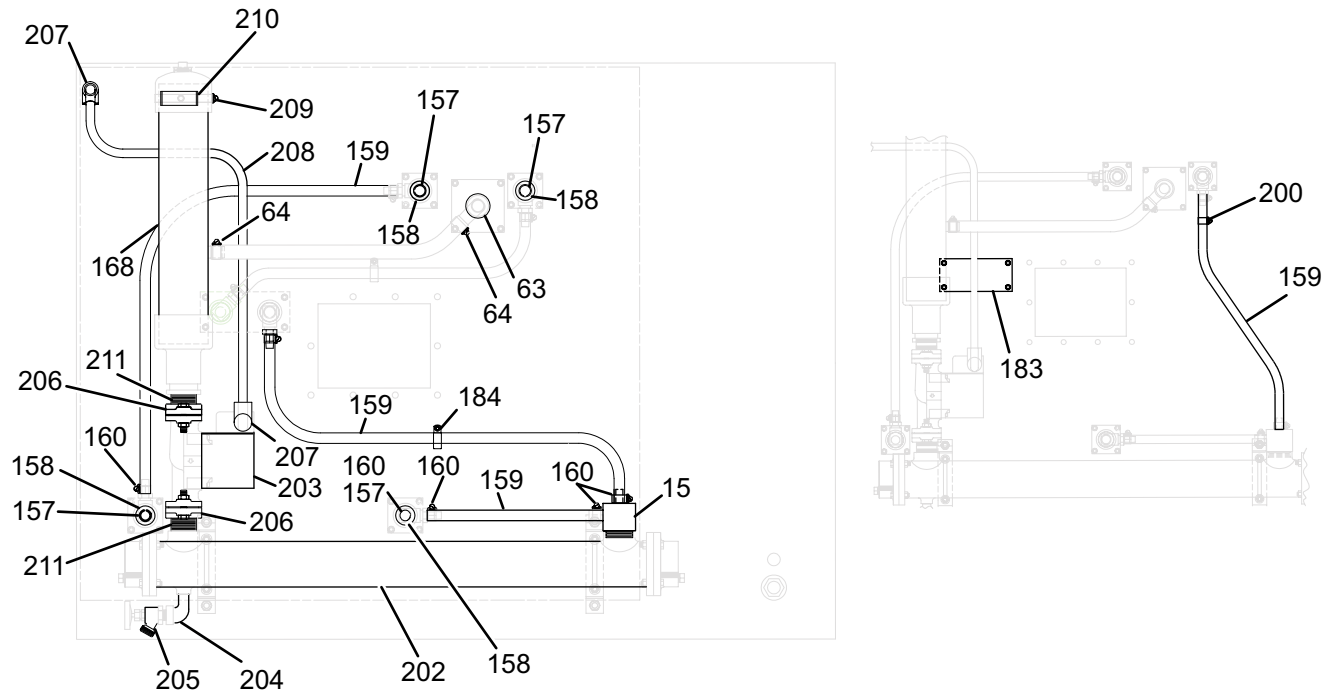
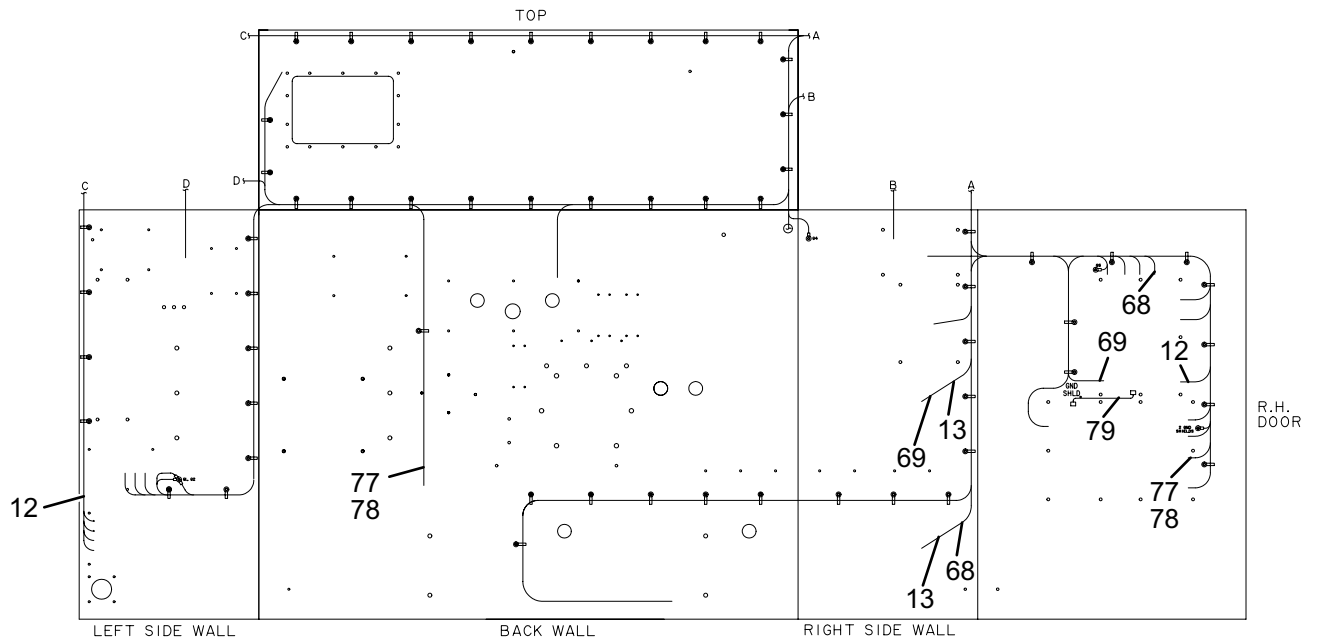
LD18900

**FIGURE 31 - VSD SINGLE SYSTEM FRAME D (PIN 20 & 21 = 50)**



LD18901

**FIGURE 32 - VSD SINGLE SYSTEM FRAME D (PIN 20 & 21 = 50)**



**FIGURE 33 - VSD SINGLE SYSTEM FRAME B (PIN 20 & 21 = 50)**

LD18899

**TABLE 29 - VSD SINGLE SYSTEM FRAME D (COMMON)**

ITEM	VOLTAGE (PIN 20 & 21)	DESCRIPTION	PART NUMBER	SAP	QUANTITY	FIGURE
1	17, 28, 46	Kit, Enclosure	371-05623-301	916029	1	35
	40, 65, 68		371-05621-301	995421		
	58		371-06026-301	995431	1	
2	17, 28, 46	Power Assy 292/351 Hp Nema 1	371-02769-100	772148	1	34,37
	40, 65, 68	Power Assy 503 VSD	371-03787-100	772286	1	
	58	Power Assy 608 Hp Nema 1	371-03787-110	772288		
3	17, 28, 46	Fan Assy Drive 351	371-02767-342	772110	1	34
4	17, 28, 46	Trans Mtg Assy Drive	371-02767-357	772116	1	35
	40, 58, 65, 68		371-03789-357	772339	1	
5	17, 28, 46	Resistor Drive	371-02767-344	772111	1	34
6	17, 28, 46	Standoff Drive	371-02767-366	772119	3	35
	40, 58, 65, 68		371-03789-371	772343	3	
7	17, 28, 46	Plate Mtg Transformer/Relay	371-02767-373	772122	1	37
8	17, 28, 40, 46, 58, 65, 68	Terminal Strip Assy	371-05623-375	916032	1	35
9	17, 28, 46	Control Trigger Board	031-02060-001	743858	1	37
10	17, 28, 46	Harness,Wiring	571-05623-261	916051	1	37
11	17, 28, 46	Wiring Power Drive	571-02767-206	806902	1	34
	40, 58, 65, 68	Power Wiring 503	571-03789-206	806949	1	
13	17, 28, 46	Cable Trig Gate Driver	571-02767-251	806904	1	34,35,37
	40, 58, 65, 68	Cable 503 Trig To Gate	571-03789-251	806951	1	
14	17, 28, 46	Reservoir Cooling System	371-02767-361	772117	1	36
	40, 58, 65, 68		371-03789-361	772340	1	
15	40, 58, 65, 68	Manifold Distr Drive	023-21710-000	440566	1	36
16	17, 28, 40, 46, 58, 65, 68	Heat Exchanger Drive	371-02767-389	772126	1	36
17	17, 28, 40, 46, 58, 65, 68	Pump Up26-99F 115V 6H 1Ph 60Hz	026-33890-000	3590	1	36
19	17, 28, 46	Kit Circuit Breaker	024-38125-000	1088783	1	34
	40, 58, 65, 68		024-34026-000	116943	1	
20	17, 28, 46	Control Voltage	031-02453-000	743895	1	37
21	17, 28, 46	Inductor 424/351	025-41692-000	740002	1	34
	40, 58, 65, 68	Inductor Drive 608/503	025-41693-000	641006	1	
22	17, 28, 40, 46, 58, 65, 68	Resistor, Power Wirewound	025-35953-000	117824	6	35
23	17, 28, 40, 46, 58, 65, 68	Capacitor Dv/Dt Network	025-39806-000	251765	3	35
24	17, 28, 46	Wiring Dvdt Network	571-02767-211	806903	1	35
	40, 58, 65, 68	Harness 503 Dvdt	571-03789-211	806950	1	
25	40, 65, 68	Control Voltage	031-02453-000	743895	1	35
	58		031-02453-001	743896	1	
26	17, 28, 40, 46, 65, 68	Control, VSD Logic Board	031-02506-102	988651	1	35,37
	40, 65, 68		031-02506-102	988651	1	
27	17, 28, 40, 46, 58, 65, 68	Elbow Screw Street 1/2 -	023-01689-000	617258	1	36

**TABLE 29 (CONT'D) - VSD SINGLE SYSTEM FRAME D (COMMON)**

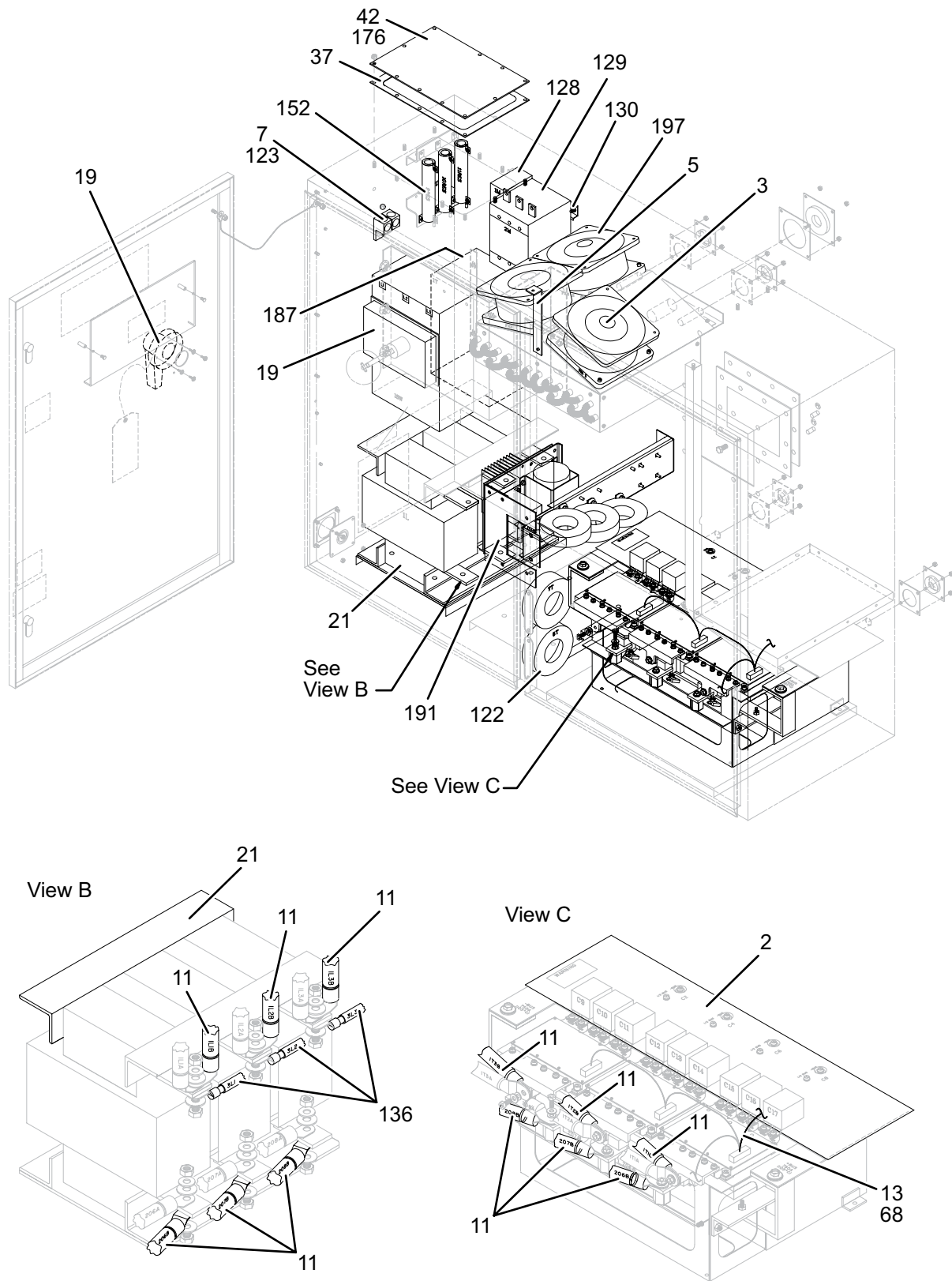
ITEM	VOLTAGE (PIN 20 & 21)	DESCRIPTION	PART NUMBER	SAP	QUANTITY	FIGURE
28	17, 28, 40, 46, 58, 65, 68	Valve Boiler Drain 1/2 Npte	022-10090-000	692414	1	36
30	17, 28, 46	Clamp Tube 3/4 Od, Vinyl	021-18001-000	730126	1	36
31	17, 28, 40, 46, 58, 65, 68	Flange Set Scr Oval 1-1/2	023-20283-000	733193	1	36
32	17, 28, 40, 46, 58, 65, 68	Connr, Conduit Flex Angle	025-31316-000	435091	2	36
33	17, 28, 46	Conduit Flexible Id=1/2In Id=.571In Ps	025-30473-000	618151	2	*
	40, 58, 65, 68	Conduit Elec Flex 1/2 Liquid	025-30473-001	738505	2	
34	40, 58, 65, 68	Clamp Hose 2-5/8 Min Dia	021-19150-000	564227	1	36
35	40, 58, 65, 68	Bracket Clamp Fill Pipe VSD	071-02291-420	748189	1	36
36	17, 28, 40, 46, 58, 65, 68	Nipple Pipe 1-1/2 Sch 40 X	023-18209-000	60695	2	36
37	40, 58, 65, 68	Gasket Cover Plate Drive	028-15101-000	742073	1	34
39	40, 58, 65, 68	Trans Relay Drive 503 Hp	371-03789-373	772344	1	35
42	40, 58, 65, 68	Plate Cover Drive 503 Hp	071-03789-329	748723	1	34
44	17, 28, 46	Tube Plastic, Polyurethane	028-14439-000	741873	3.1'	36
	40, 58, 65, 68		028-14440-000	741874	2'	
45	17, 28, 46	Clamp Hose, Screw Head, 5/16"	021-17547-000	730066	4	36
46	17, 28, 46	Strap Grounding	525-32508-001	806677	2	35,37
59	17, 28, 46	Eeprom, VSD Logic Board	031-03422-010	947512	1	37
60	17, 28, 46	Gasket Cover Plate Drive	028-15101-000	742073	1	37
61	17, 28, 46	Tophat 503 Driv	371-04144-311	772433	1	37
63	40, 58, 65, 68	Fitting, Hosw, 90 Deg, Nylon	023-21757-000	733420	1	36
64	40, 58, 65, 68	Clamp Hose 1-1/16 Min Dia	021-12930-000	147486	4	36
68	17, 28, 46	Cable Gate Driver To Logic	571-02767-281	124157	1	34,37
69	17, 28, 46	Cable Shielded Cable Gate Dr	571-02768-221	806911	1	35,37
92	17, 28, 40, 46, 58, 65, 68	Fuse, Semi Conductor	025-38523-000	739590	3	35
94	17, 28, 40, 46, 58, 65, 68	Cable Assy 2Tb To VSD Logic(J16)	571-05623-274	1060768	1	37
95	17, 28, 40, 46, 58, 65, 68	Cable Shielded Cable	571-05192-201	807092	1	35,37

**TABLE 30 - VSD SINGLE SYSTEM FRAME D (MODEL SPECIFIC)**

ITEM	VOLTAGE (PIN 20 & 21)	DESCRIPTION	WITHOUT FILTER		WITH FILTER		FIGURE
			PART NUMBER	SAP	PART NUMBER	SAP	
121	17, 28, 40, 46, 65, 68	Fuse Assy	371-05621-379	916023	371-06024-379	916050	35
	58						
122	17, 28, 40, 46, 58, 65, 68	Wiring Transformer Assy	-	-	531-01660-001	806680	34
123	17, 28, 46	Lug Elec Double Barrel	025-35173-000	117722	025-20939-000	737625	34
	40, 58, 65, 68	Lug Elec Wire Range No 6	025-20939-000	737625	025-20939-000	737625	
124	17, 28, 40, 46, 65, 68	Power Assy Harmonic Filter	-	-	371-03788-100	123106	35,37
	58	Power Assy Harmonic Filt 608Hp	-	-	371-03788-110	772305	
125	17, 28, 40, 46, 65, 68	Trap High Freq Drive	-	-	371-03788-349	772311	35
	58		-	-	371-04563-349	772761	
126	17, 28, 40, 46, 58, 65, 68	Transducer Current 300A	-	-	025-30994-000	738536	35,37
127	17, 28, 40, 46, 65, 68	Inductor Harmonic Filter	-	-	025-38135-000	739557	35
	58		-	-	025-40375-000	739807	
128	17, 28, 40, 46, 58, 65, 68	Contactora 3 Pole 32A 600V	-	-	024-30985-000	735841	34
129	17, 28, 40, 46, 58, 65, 68	Contactora, 3 Pole, 170 A, 600V	-	-	024-35433-000	556072	34
130	17, 28, 40, 46, 58, 65, 68	Rail Contactora Mtg Drive	-	-	071-03788-385	748715	34
131	17, 28, 40, 46, 58, 65, 68	Control Tme Bus Isolator	-	-	031-01624-000	743779	35,37
132	17, 28, 40, 46, 65, 68	Control IEEE-519	-	-	031-02022-000	65064	35,37
	58	Control IEEE-519 575V	-	-	031-02022-001	743845	
134	17, 28, 40, 46, 58, 65, 68	Plate Component Mtg 503	-	-	071-03789-362	748728	35
135	17, 28, 40, 46, 65, 68	Fuse, Semiconductor 200A	-	-	025-30992-000	738534	35
	58	Fuse Semiconductor 200A 700Vac	-	-	025-40405-000	739824	
136	17, 28, 40, 46, 65, 68	Harness 503 519 Power	-	-	571-03788-201	806940	34,35
	58		-	-	571-04563-201	807066	
152	17, 28, 40, 46, 65, 68	Resistor Drive 503 Hp	-	-	371-03788-344	772309	34
	58	Resistor Drive 608 Hp	-	-	371-03788-342	772308	
153	17, 28, 46	Control Trigger Board	-	-	031-02060-001	743858	35
	40, 65, 68		-	-	031-02060-002	63166	
	58		-	-	031-02060-003	743859	
157	17, 28, 40, 46, 58, 65, 68	Fitting, Flare, 90 Deg, Brass	023-20284-000	692418	023-20284-000	692418	36
158	17, 28, 40, 46, 58, 65, 68	Fitting, Hose, Straight, Nylon	023-20285-000	692417	023-20285-000	692417	36
159	17, 28, 40, 46, 58, 65, 68	Tube Plastic, Polyurethane	028-14491-000	741890	028-14491-000	741890	36
160	17, 28, 40, 46, 58, 65, 68	Clamp Hose 11/16 Min Dia	023-08856-000	617439	023-08856-000	617439	36

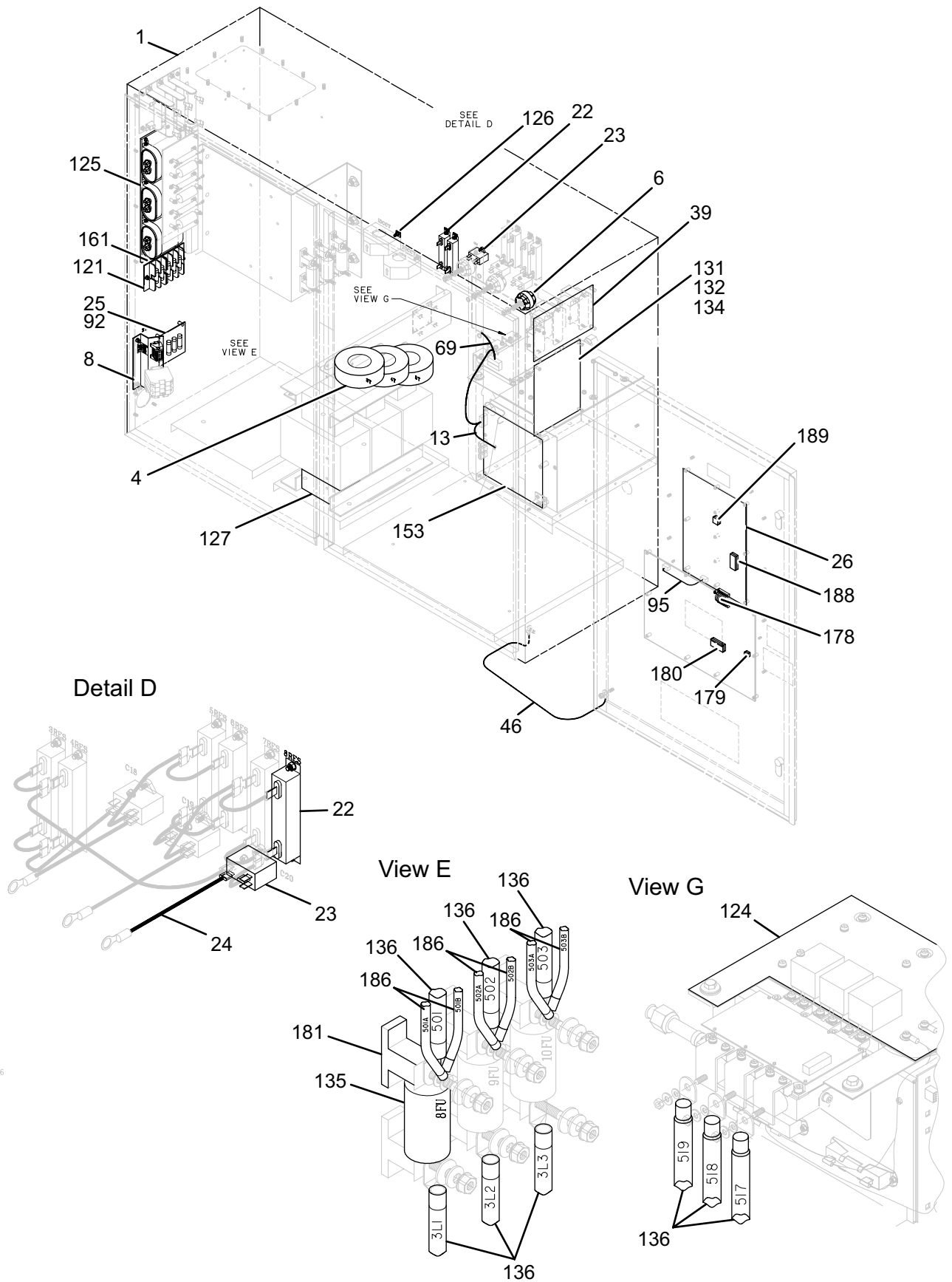
**TABLE 30 (CONT'D) - VSD SINGLE SYSTEM FRAME D (MODEL SPECIFIC)**

ITEM	VOLTAGE (PIN 20 & 21)	DESCRIPTION	WITHOUT FILTER		WITH FILTER		FIGURE
			PART NUMBER	SAP	PART NUMBER	SAP	
161	17, 28, 40, 46, 65, 68	Strip Marker (Fuse)	035-23304-000	916000	035-23304-000	916000	35
	58		035-23305-000	916001	035-23305-000	916001	
176	58	Plate Cover Drive 503 Hp	071-03789-329	748723	071-03789-329	748723	34
178	17, 28, 40, 46, 65, 68	Cable	-	-	031-01658-000	743799	35,37
179	17, 28, 40, 46, 65, 68	Prom Serial 02932 IEEE 519	-	-	031-02933-003	744213	35,37
180	17, 28, 40, 46	Eprom 519 Logic U42	-	-	031-01633-006	743786	35,37
	65, 68		-	-	031-01633-007	743787	
	58		-	-	031-01633-008	743788	
181	17, 28, 40, 46, 65, 68	Fuseholder 1 Pole 400Amp 1000V	-	-	025-30993-000	738535	35
184	17, 28, 46	Manifold Distribution Dr	023-20842-000	733342	-	-	36
186	17, 28, 40, 46, 58	Harness Wiring Main	-	-	571-05621-261	995432	35
	65, 68		-	-	571-05621-263	995433	
187	17, 28, 46	Transformer 1 3Kva, 240/480	025-31499-000	738608	025-31499-000	738608	34
	40, 65, 68		-	-	025-32983-000	117599	
	58		-	-	025-40381-000	739812	
188	65	Flash Control VSD	031-02547-102	913752	-	-	35
	40, 68		031-02547-105	913755	-	-	
	58		031-02547-103	913753	-	-	
188	17, 28, 46, 65	Flash Control VSD	-	-	031-02547-102	913752	35
	40, 68		-	-	031-02547-105	913755	
	58		-	-	031-02547-103	913753	
189	17, 28, 40, 46, 65, 68	Eeprom, VSD Logic Board	-	-	031-03422-010	947512	35
191	17, 28, 46	Flash Control VSD	031-02547-102	913752	-	-	34
	65, 68		371-02202-101	771609	-	-	
197	65, 68	Fan Assy Drive 503Hp	371-03789-343	772338	371-03789-343	772338	34
	40, 58		371-03789-342	772337	371-03789-342	772337	

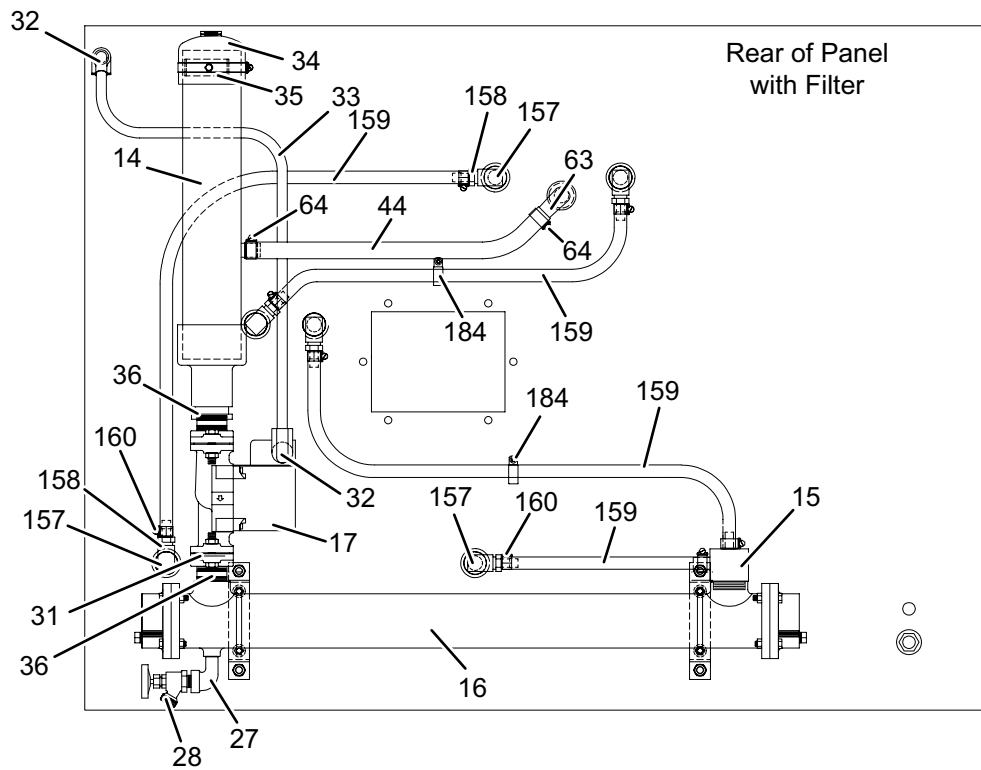
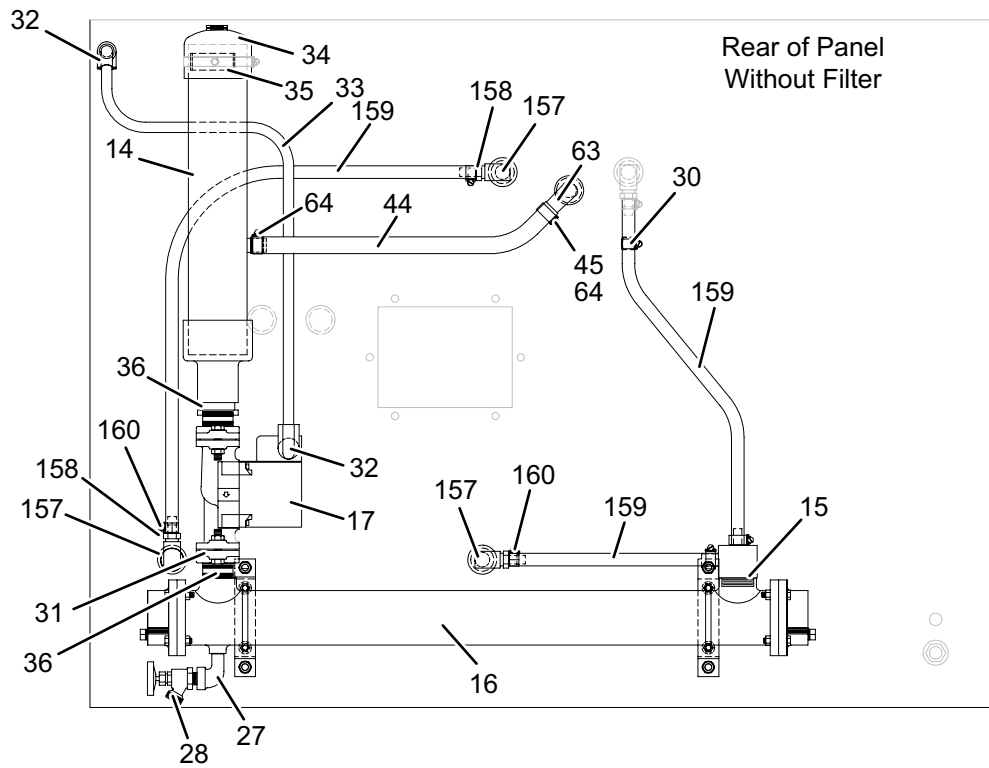


LD18902

**FIGURE 34 - VSD SINGLE SYSTEM FRAME D**

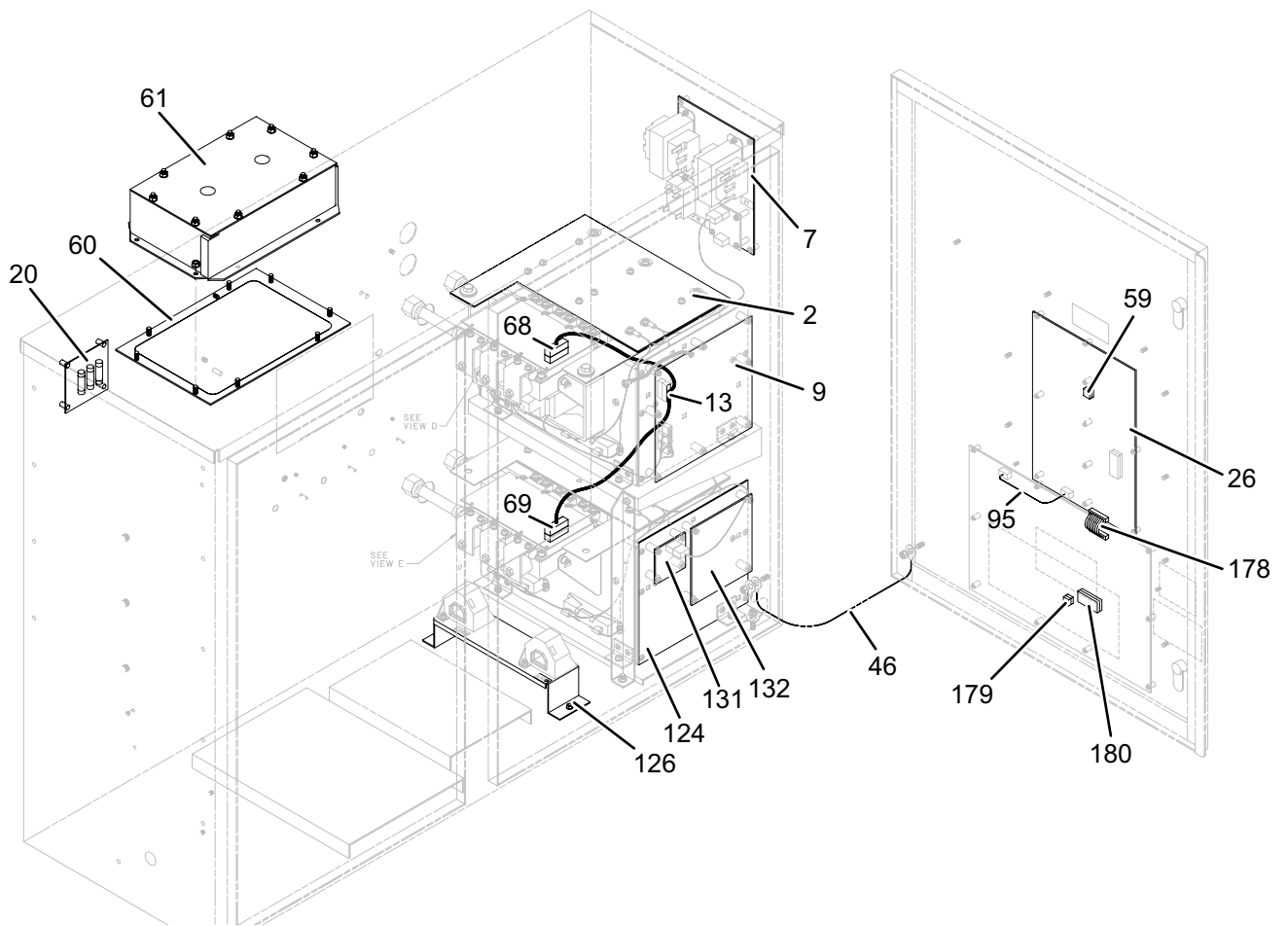
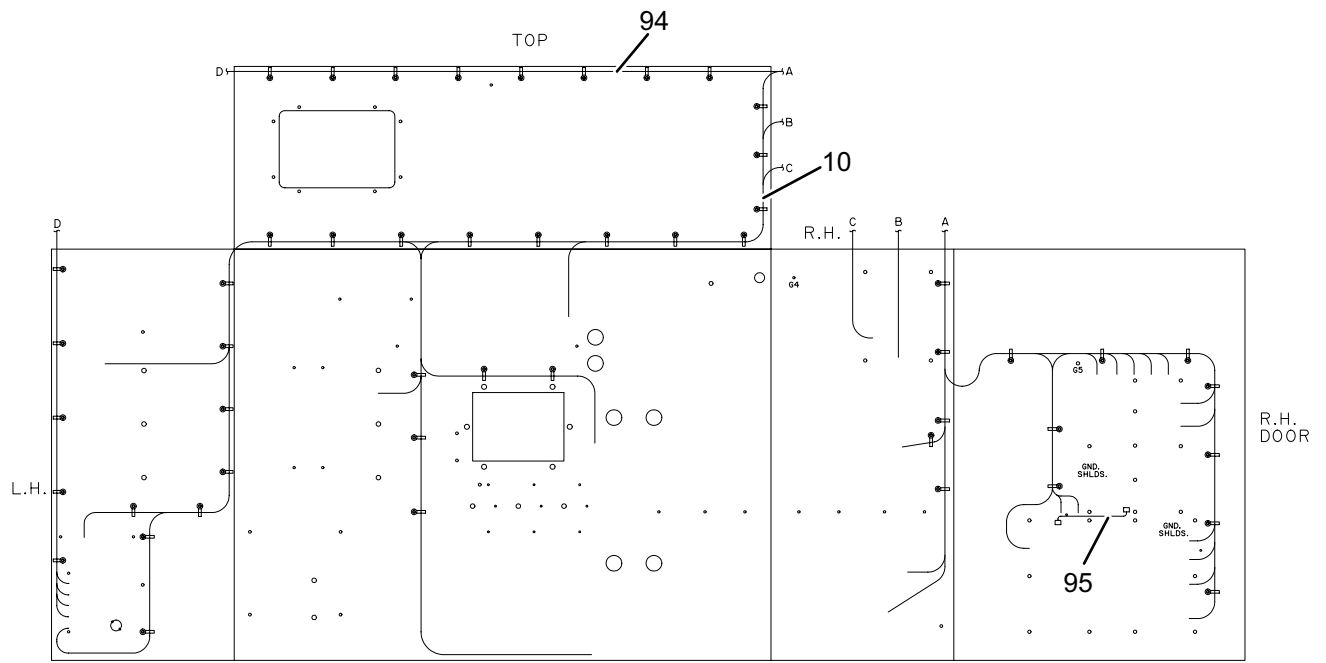


**FIGURE 35 - VSD SINGLE SYSTEM FRAME D**



LD18904

FIGURE 36 - VSD SINGLE SYSTEM FRAME D



LD18905

**FIGURE 37 - VSD SINGLE SYSTEM FRAME D**

**TABLE 31 - VSD SINGLE SYSTEM SERVICE KITS**

<b>VSD MODEL NUMBER</b>	<b>POWER ASSEMBLY KIT</b>	<b>LOGIC BOARD KIT</b>	<b>FILTER LOGIC BOARD KIT</b>	<b>FILTER ASSEMBLY KIT</b>
<b>TVP1CMPRBWN-40B</b>	371-03708-001	331-02506-614	N/A	N/A
<b>TVP1CMPRBWN-40D</b>	371-04164-001	331-02506-614	N/A	N/A
<b>TVP1CMPRBWF-40B</b>	371-03708-001	331-02506-614	331-02932-631	371-03707-001
<b>TVP1CMPRBWF-40D</b>	371-04164-001	331-02506-614	331-02932-642	371-04165-001
<b>TVP1CMPRBWN-46B</b>	371-03708-001	331-02506-612	N/A	N/A
<b>TVP1CMPRBWN-46D</b>	371-04164-001	331-02506-612	N/A	N/A
<b>TVP1CMPRBWF-46B</b>	371-03708-001	331-02506-612	331-02932-631	371-03707-001
<b>TVP1CMPRBWF-46D</b>	371-04164-001	331-02506-612	331-02932-642	371-04165-001
<b>TVP1CMPRBWN-58B</b>	371-05157-001	331-02506-613	N/A	N/A
<b>TVP1CMPRBWN-58D</b>	371-05159-001	331-02506-613	N/A	N/A
<b>TVP1CMPRBWF-58B</b>	371-05157-001	331-02506-613	331-02932-101	371-05158-001
<b>TVP1CMPRBWF-58D</b>	371-05159-001	331-02506-613	331-02932-102	371-05160-001
<b>TVP1CMPRBWN-65D</b>	371-04164-001	331-02506-611	N/A	N/A
<b>TVP1CMPRBWF-65D</b>	371-04164-001	331-02506-611	331-02932-642	371-04165-001
<b>TVP1CMPRBWN-68D</b>	371-04164-001	331-02506-614	N/A	N/A
<b>TVP1CMPRBWF-68D</b>	371-04164-001	331-02506-614	331-02932-642	371-04165-001

**TABLE 32 - VSD NF DISCONNECT SWITCH DUAL SYSTEM (COMMON)**

ITEM	DESCRIPTION	PART NUMBER	SAP	FIGURE
1	Kit-Enclosure	371-05603-301	774267	38
5	Relay Control DPST-No, 120 Vac	024-30441-000	664298	38
6	Standoff Drive 503Hp	371-03789-371	772343	39
7	Transformer Class 2	025-27911-000	1312	38
8	Shielded 2 Compr	071-05183-000	749197	40
	Shield 3 Compr Right (Frame D)	071-05187-000	749199	
9	Shielded 2/3 Compr	071-05184-000	749198	40
10	Bracket, Shield	371-05603-389	774279	40
11	Bracket, Shield	371-05603-392	774280	40
15	Fuseholder-Modular, 1-Pole	025-39951-000	359985	38
17	Control Voltage	031-02453-000	743895	38
18	Dwg-Rail, Fuse Mtg	071-05603-350	692398	38
20	Control Relay Board	031-02479-001	340702	40
22	Resistor, Power Wirewound	025-35953-000	117824	38
23	Capacitor Dv/Dt Network	025-39806-000	251765	38
24	Harness Dvdt 2 Compr	571-04178-211	806999	38
25	Thermal Pad, Resistor	028-15299-000	742121	38
28	Control, Control Board	031-02478-102	743908	40
30	Standoff Drive	371-04178-371	772516	39
31	Control Time Bus Isolator	031-01624-000	743779	38
32	Gasket, Field Conn	028-16531-000	692397	38
33	Gasket Customer Conn	028-15247-000	742106	38
34	Gasket Circuit Brkt 2 Compr	028-15824-000	651576	40
	Gasket Circuit Breaker (Frame D)	028-15248-000	742107	
37	Gasket Coil Drive	028-15251-000	742109	39
39	Terminal Block	371-05603-356	774277	38
41	Cable Trig To Gate	571-04178-251	427924	38,39
42	Cable Gate Driver	571-04178-281	427925	39
43	Cable Gate Driver	571-04178-282	427926	39
59	Eeprom, VSD Logic Board	031-03422-010	947512	40
61	Switch Keypad	024-34930-000	247624	40
62	Display LCD	031-02508-000	743925	40
64	Clamp Ribbon Wire, Gray	025-25156-000	737712	40
68	Cable Dispaly To Micro	571-05603-261	1085133	40,42
	Cable Display/Cont Bd (Frame D)	571-04178-268	807013	
69	Cable Ribbon Trident Keypad To Micro	571-05603-262	1085134	40,42
	Cable Keypad/Cont Bd (Frame D)	571-04178-269	807014	
70	Cable Ribbon Relay	571-04178-263	807008	40
71	Cable Logic To Control	571-04178-271	807015	42
72	Stepper Motor (Ets 250) EEV	031-02742-000	744082	38
74	Rail Mtg Valve Controller	071-04178-363	748851	38
76	Clamp, End For 35Mm X 7Mm	025-29189-000	117471	38
80	Ferr Splice Cap For Use With	025-10434-000	737259	38
81	Insr Elec For Use With	025-10435-000	737260	38

**TABLE 32 (CONT'D) - VSD NF DISCONNECT SWITCH DUAL SYSTEM (COMMON)**

ITEM	DESCRIPTION	PART NUMBER	SAP	FIGURE
82	Ferr Splice Cap For Use With	025-10372-000	737258	38,41
83	Insr Elec For Use With	025-10371-000	737257	38,41
84	Bush Snap 7/8 Id Hole	025-12016-000	737325	38
88	Fuse, Semi Conductor	025-38523-000	739590	38
90	Fuse, Cartridge Type 15 Amp	025-35907-000	117822	38
91	Fuse, Cartridge Type 10 Amp	025-35905-000	739234	38
92	Fuse, Cartridge Type 15 Amp	025-34141-000	739008	38
93	Fuse, Cartridge Type 20 Amp	025-35908-000	117823	38
94	Fuse, Cartridge Type 6 Amp	025-35902-000	264466	38
95	Base, Flat Cable Mount	025-42113-000	644640	40
96	Base, Flat Cable Mount	025-42114-000	644641	40
97	Spacer Nylon, 1/4 Od X 7/16 Lg	021-17575-000	654243	40
116	Block Term Base Flat	025-20944-000	62696	38
117	Block Term End	025-20946-000	618097	38
127	Heat Exchanger Drive	371-02767-389	772126	41
128	Pump Up26-99F 115V 6H 1Ph 60Hz	026-33890-000	3590	41
129	Reservoir	371-05603-361	774278	41
130	Valve Boiler Drain 1/2 Npte	022-10090-000	692414	41
132	Elbow Screw Street 1/2 -	023-01689-000	617258	41
138	Nipple Pipe 1-1/2 Sch 40 X	023-18209-000	60695	41
139	Flange Set Scr Oval 1-1/2	023-20283-000	733193	41
140	Connr, Conduit Flex Angle	025-31316-001	144731	41
141	Fitting, Hose, Straight, Nylon	023-20285-000	692417	41
142	Fitting, Flare, 90 Deg, Brass	023-20284-000	692418	41
143	Clamp Hose 11/16 Min Dia	023-08856-000	617439	41
144	Tube Plastic, Polyurethane	028-14491-000	741890	41

**TABLE 33 - VSD NF DISCONNECT SWITCH DUAL SYSTEM (MODEL SPECIFIC)**

ITEM	PIN 11	VOLTAGE (PIN 20 & 21)	DESCRIPTION	PART NUMBER	SAP	FIGURE			
200	A, B, C	All	Panel, A,B,C, Comm	371-05603-100	774265	*			
	D	All	Panel, Trident, Com Parts	371-05604-100	825926				
202	A, B	All	Kit, Disc, Trident, 600A	371-05618-001	704512	40			
	C	40, 50, 65, 68	Kit, Disc, Trident, 800A	371-05618-002	704513				
	D	40, 50, 65, 68	Kit, Disc, Trident, 1000A	371-05618-003	847967				
		46, 58	Kit, Disc, Trident, 800A	371-05618-002	704513				
204	A, B	All	Wiring, Pwr,	571-05603-204	708776	40			
	C	40, 50, 65, 68	Wiring, Pwr, Trident Mod A,B,C	571-05603-212	704523				
	D	40, 50, 65, 68	Wiring, Pwr, Trident Mod D	571-05604-205	825894				
		46, 58	Wiring, Pwr, Trident Mod D	571-05604-203	847974				
206	A, B	All	Lug, Elec Sgl Bbl, #4-500	025-32835-000	738755	38			
	C	40, 50, 65, 68							
	D	40, 46, 50, 58, 65, 68							
207	A	All	Inductor Drive 2 Compr	025-42133-000	740060	39			
	B	All	Inductor Drive 2/4	025-40742-000	739923				
	C	40, 50, 65, 68	Inductor Drive 2/4	025-40742-000	739923				
	D	40, 50, 65, 68	Inductor Drive 3	025-40741-000	739922				
		46, 58	Inductor Drive 3 Compr	025-39676-000	342937				
216	A	17, 28, 40, 46, 58, 65	Control Trigger Board	031-02060-001	743858	38			
		50, 68		031-02060-002	63166				
	B	17, 28, 40, 46, 58		031-02060-001	743858				
		50, 65, 68		031-02060-002	63166				
	C	50, 65, 68		031-02060-002	63166				
		40		031-02060-001	743858				
	D	40, 50, 65, 68		031-02060-002	63166				
		46, 58		031-02060-001	743858				
	217	A		17, 28, 46, 58, 65	Transformer		025-40114-001	739751	38
				68			025-40114-011	704962	
40			025-40114-007	692407					
50			025-40114-005	739754					
B		17, 28, 40, 46, 58	Transformer	025-40114-001	739751				
		65		025-40114-007	692407				
		68		025-40114-011	704962				
		50		025-40114-005	739754				
C		40, 65	Transformer	025-40114-007	692407				
		68		025-40114-011	704962				
		50		025-40114-005	739754				
D		65	Transformer	025-40114-007	692407				
		40, 68		025-40114-011	704962				
		46, 58		025-40114-001	739751				
		50		025-40114-005	739754				

**TABLE 33 (CONT'D) - VSD NF DISCONNECT SWITCH DUAL SYSTEM (MODEL SPECIFIC)**

ITEM	PIN 11	VOLTAGE (PIN 20 & 21)	DESCRIPTION	PART NUMBER	SAP	FIGURE
219	A	All	Fan Assembly	371-05278-801	704963	39
	B	17, 28, 40, 46, 58		371-04179-813	772632	
		50, 65, 68		371-04179-812	692408	
	C	40, 65, 68		371-04179-812	692408	
		50		371-04179-813	772632	
	D	40, 46, 50, 58, 65, 68		371-04179-812	692408	
221	A	17, 28, 46, 58, 65	Flash Control 460V	031-02649-110	1090841	40
		40, 50, 68	Flash Control 380/400V	031-02649-111	1084658	
	B	17, 28, 46, 58	Flash Control 460V	031-02649-110	1090841	
		40, 50, 65, 68	Flash Control 380/400V	031-02649-111	1084658	
	C	40, 50, 65, 68	Flash Control C & D 380/400V	031-02649-112	1084657	
	D	40, 50, 65, 68	Flash Control C & D 380/400V	031-02649-112	1084657	
		46, 58	Flash Control D 460V	031-02649-115	1090844	
	222	A	All	Power Assy 2 Compr	371-05279-101	
B		All	371-04181-101		772682	
C		40, 50, 65, 68	371-04181-104		772685	
D		40, 46, 50, 58, 65, 68	371-05679-101		774330	
224	A, B, C	All	Harness, Main,	571-05603-221	807139	42
	D	40, 46, 50, 58, 65, 68	Harness, Main, Mod D	571-05604-221	825889	
225	A, B	All	Trans Drive System #1	371-04178-365	772513	39
	C	40, 50, 65, 68		371-04178-369	772515	
	D	40, 46, 50, 58, 65, 68		371-04178-369	772515	
226	A, B	All	Trans Drive System #2	371-04178-367	772514	39
	C	40, 50, 65, 68		371-04178-378	772519	
	D	40, 46, 50, 58, 65, 68		371-04178-378	772519	
227	A, B, C, D	All	Fuseholder-Modular, 3-Pole	025-39952-000	343433	38
228	A, B	All	Fuse, Semi, 630A, 700V	025-42142-000	645566	39
	C	40, 50, 65, 68	Fuse, Semi, 800A, 700V	025-40763-000	739932	
	D	40, 50, 65, 68	Fuse, Semi, 1000A, 700V	025-42601-000	703412	
		46, 58	Fuse, Semi, 900A, 700V	025-40786-000	739934	
231	A	All	Wiring, Pwr, Mod A,B,C	571-05603-201	704518	39
	B	All	Wiring, Pwr, Mod A,B,C	571-05603-205	692422	
	C	40, 50, 65, 68	Wiring, Pwr, Mod A,B,C	571-05603-209	807137	
	D	40, 46, 50, 58, 65, 68	Wiring, Pwr, Mod D	571-05604-201	825895	
233	A, B	All	Fuse, Cartridge Type 10 Amp	025-35905-000	739234	38
	C	40, 50, 65, 68	Fuse, Cartridge Type 12 Amp	025-35906-000	652698	
234	D	40, 46, 50, 58, 65, 68	Fuse, Cartridge Type 12 Amp	025-35906-000	652698	40
236	D	40, 46, 50, 58, 65, 68	Control VSD Logic Brd	031-02507-000	360014	40
239	A, B, C	All	Switch, DPST, Two Position	024-34951-000	736122	40
	D	40, 46, 50, 58, 65, 68	Switch, DPST, Two Position	024-34951-000	736122	
240	A, B, C	All	Control VSD Logic Brd	031-02507-000	360014	40

NOTE: Items with an \* are NOT represented.

**TABLE 34 - VSD CIRCUIT BREAKER DUAL SYSTEM (COMMON)**

ITEM	DESCRIPTION	PART NUMBER	SAP	FIGURE
1	Kit-Enclosure, Trident	371-05603-301	774267	38
5	Relay Control DPST-No, 120 Vac	024-30441-000	664298	38
6	Standoff Drive 503Hp	371-03789-371	772343	39
7	Transformer Class 2	025-27911-000	1312	38
8	Shielded 2 Compr Right	071-05183-000	749197	40
9	Shielded 2/3 Compr	071-05184-000	749198	40
10	Bracket, Shield	371-05603-389	774279	40
11	Bracket, Shield	371-05603-392	774280	40
15	Fuseholder-Modular, 1-Pole	025-39951-000	359985	38
17	Control Voltage	031-02453-000	743895	38
18	Dwg-Rail, Fuse Mtg	071-05603-350	692398	38
20	Control Relay Board	031-02479-001	340702	40
22	Resistor, Power Wirewound	025-35953-000	117824	38
23	Capacitor Dv/Dt Network	025-39806-000	251765	38
24	Harness Dvdt 2 Compr	571-04178-211	806999	38
25	Thermal Pad, Resistor	028-15299-000	742121	38
28	Control, Control Board	031-02478-102	743908	40
30	Standoff Drive	371-04178-371	772516	39
31	Control Tme Bus Isolator	031-01624-000	743779	38
32	Gasket, Field Conn,	028-16531-000	692397	38
33	Gasket Customer Conn	028-15247-000	742106	38
34	Gasket Circuit Brkt 2 Compr	028-15824-000	651576	40
37	Gasket Coil Drive	028-15251-000	742109	39
39	Terminal Block	371-05603-356	774277	38
41	Cable Trig To Gate	571-04178-251	427924	38,39
42	Cable Gate Driver	571-04178-281	427925	39
43	Cable Gate Driver	571-04178-282	427926	39
59	Eeprom, VSD Logic Board	031-03422-010	947512	40
61	Switch Keypad	024-34930-000	247624	40
62	Display LCD	031-02508-000	743925	40
64	Clamp Ribbon Wire, Gray	025-25156-000	737712	40
68	Cable Ribbon Dispaly To Micro	571-05603-261	1085133	40,42
	Cable Display/Cont Bd (Frame D)	571-04178-268	807013	
69	Cable Ribbon Keypad To Micro	571-05603-262	1085134	40,42
	Cable Keypad/Cont Bd (Frame D)	571-04178-269	807014	
70	Cable Ribbon Relay	571-04178-263	807008	40
71	Cable Logic To Control	571-04178-271	807015	42
	Cable Logic To Control (Frame D)	571-04179-271	807033	
72	Stepper Motor (Ets 250) EEV	031-02742-000	744082	38
74	Rail Mtg Valve Controller	071-04178-363	748851	38
76	Clamp, End For 35Mm X 7Mm	025-29189-000	117471	38
77	Cable Ribbon Relay	571-04178-264	807009	40
80	Ferr Splice Cap For Use With	025-10434-000	737259	38
81	Insr Elec For Use With	025-10435-000	737260	38
82	Ferr Splice Cap For Use With	025-10372-000	737258	38,41

**TABLE 34 (CONT'D) - VSD CIRCUIT BREAKER DUAL SYSTEM (COMMON)**

ITEM	DESCRIPTION	PART NUMBER	SAP	FIGURE
83	Insr Elec For Use With	025-10371-000	737257	38,41
84	Bush Snap 7/8 Id Hole	025-12016-000	737325	38
86	Cable, Shielded	571-05603-291	807140	*
	Cable, Shielded, Mod D (Frame D)	571-05604-291	825888	
88	Fuse, Semi Conductor	025-38523-000	739590	38
90	Fuse, Cartridge Type 15 Amp	025-35907-000	117822	38
91	Fuse, Cartridge Type 10 Amp	025-35905-000	739234	38
92	Fuse, Cartridge Type 15 Amp	025-34141-000	739008	38
93	Fuse, Cartridge Type 20 Amp	025-35908-000	117823	38
94	Fuse, Cartridge Type 6 Amp	025-35902-000	264466	38
95	Base, Flat Cable Mount	025-42113-000	644640	40
96	Base, Flat Cable Mount	025-42114-000	644641	40
116	Block Term Base Flat	025-20944-000	62696	38
117	Block Term End	025-20946-000	618097	38
127	Heat Exchanger Drive	371-02767-389	772126	41
128	Pump Up26-99F 115V 6H 1Ph 60Hz	026-33890-000	3590	41
129	Reservoir	371-05603-361	774278	41
130	Valve Boiler Drain 1/2 Npte	022-10090-000	692414	41
132	Elbow Screw Street 1/2 -	023-01689-000	617258	41
138	Nipple Pipe 1-1/2 Sch 40 X	023-18209-000	60695	41
139	Flange Set Scr Oval 1-1/2	023-20283-000	733193	41
140	Connr, Conduit Flex Angle	025-31316-001	144731	41
141	Fitting, Hose, Straight, Nylon	023-20285-000	692417	41
142	Fitting, Flare, 90 Deg, Brass	023-20284-000	692418	41
143	Clamp Hose 11/16 Min Dia	023-08856-000	617439	41
144	Tube Plastic, Polyurethane	028-14491-000	741890	41
145	Manifold, Distribution	023-25218-000	692419	41
147	Conduit Elec Flex 1/2 Liquid	025-30473-001	738505	41
148	Bracket Clamp Fill Pipe VSD	071-02291-420	748189	41
149	Clamp Hose 2-5/8 Min Dia	021-19150-000	564227	41
150	Clamp Tube 1" Od, Vinyl	021-30744-000	730644	41

**NOTE:** Items with an \* are NOT represented.

**TABLE 35 - VSD CIRCUIT BREAKER DUAL SYSTEM (MODEL SPECIFIC)**

ITEM	PIN 11	VOLTAGE (PIN 20 & 21)	DESCRIPTION	PART NUMBER	SAP	FIGURE
200	A, B, C	All	Panel, A,B,C, Comm	371-05603-100	774265	*
	D	All	Panel, Com Parts	371-05604-100	825926	
202	A, B	All	Kit, Breaker, 500A	371-05617-007	704507	40
	C	40, 50, 65, 68	Kit, Breaker, 800A	371-05617-005	774284	
	D	40, 50, 65, 68	Kit, Breaker, 1000A	371-05617-008	825890	
		46, 58	Kit, Breaker, 800A	371-05617-005	774284	
204	A	All	Wiring, Pwr, Mod A,B,C	571-05603-203	692421	40
	B	All		571-05603-204	708776	
	C	All		571-05603-211	807138	
	D	40, 50, 65, 68		571-05678-204	807144	
		46, 58		571-05678-202	807142	
206	A, B, C, D	All	Lug, Elec Sgl Bbl, #4-500	025-32835-000	738755	38
207	A	All	Inductor Drive 2 Compr	025-42133-000	740060	39
	B, C	All	Inductor Drive 2/4	025-40742-000	739923	
	D	40, 50, 65, 68	Inductor Drive 3	025-40741-000	739922	
		46, 58		025-39676-000	342937	
216	A, B	17, 28, 40, 46, 58	Control Trigger Board	031-02060-001	743858	38
		50, 65, 68		031-02060-002	63166	
	C	50, 65, 68		031-02060-002	63166	
		40		031-02060-001	743858	
	D	50, 65, 68		031-02060-002	63166	
		40, 46, 58		031-02060-001	743858	
217	A, B	17, 28, 46, 58	Transformer, 2Kva, 480:120Vac	025-40114-001	739751	38
		40, 65	Transformer, 2Kva, 380:120Vac	025-40114-007	692407	
		68	Transformer P=374.0-374.0V Three Phase	025-40114-011	704962	
		50	Transformer, 2Kva, 400:120Vac	025-40114-005	739754	
	C	40, 65	Transformer, 2Kva, 380:120Vac	025-40114-007	692407	
		68	Transformer P=374.0-374.0V Three Phase	025-40114-011	704962	
		50	Transformer, 2Kva, 400:120Vac	025-40114-005	739754	
		40, 65	Transformer, 2Kva, 380:120Vac	025-40114-007	692407	
	D	68	Transformer P=374.0-374.0V Three Phase	025-40114-011	704962	
		46, 58	Transformer, 2Kva, 480:120Vac	025-40114-001	739751	
		50	Transformer, 2Kva, 400:120Vac	025-40114-005	739754	
219	A	All	Fan Assy	371-05278-801	704963	39
	B	17, 28,40, 46, 58		371-04179-813	772632	
		50, 65, 68		371-04179-812	692408	
	C	50, 65, 68		371-04179-812	692408	
		40		371-04179-813	772632	
	D	40, 46, 50, 58, 65, 68		371-04179-812	692408	

**TABLE 35 (CONT'D) - VSD CIRCUIT BREAKER DUAL SYSTEM (MODEL SPECIFIC)**

ITEM	PIN 11	VOLTAGE (PIN 20 & 21)	DESCRIPTION	PART NUMBER	SAP	FIGURE
221	A, B	17, 28, 46, 58	Flash Control A & B 460V	031-02649-110	1090841	40
		40, 50, 65, 68	Flash Control A & B 380/400V	031-02649-111	1084658	
	C	40, 50, 65, 68	Flash Control C & D 380/400V	031-02649-112	1084657	
	D	40, 65, 68	Flash Control C & D 380/400V	031-02649-112	1084657	
		46, 58	Flash Control D 460V	031-02649-115	1090844	
		50	Transformer, 2Kva, 400:120Vac	025-40114-005	739754	
222	A	All	Power Assy 2 Compr	371-05279-101	773890	39
	B	All		371-04181-101	772682	
	C	40, 50, 65, 68		371-04181-104	772685	
	D	40, 46, 50, 58, 65, 68		371-05679-101	774330	
224	A, B, C, D	All	Harness, Main	571-05603-221	807139	42
225	A, B,	All	Trans Drive System #1	371-04178-365	772513	39
	C	40, 50, 65, 68		371-04178-369	772515	
	D	40, 46, 50, 58, 65, 68		371-04178-369	772515	
226	A, B,	All	Trans Drive System #2	371-04178-367	772514	39
	C	40, 50, 65, 68		371-04178-378	772519	
	D	40, 46, 50, 58, 65, 68		371-04178-378	772519	
227	A, B, C, D	All	Fuseholder-Modular, 3-Pole	025-39952-000	343433	38
228	A, B,	All	Fuse, Semi, 630A, 700V	025-42142-000	645566	39
	C	40, 50, 65, 68	Fuse, Semi, 800A, 700V	025-40763-000	739932	
	D	40, 65, 68	Fuse, Semi, 1000A, 700V	025-42601-000	703412	
		46, 58	Fuse, Semi, 900A, 700V	025-40786-000	739934	
231	A	All	Wiring, Pwr, Mod A,B,C	571-05603-201	704518	39
	B	All	Wiring, Pwr, Mod A,B,C	571-05603-205	692422	
	C	40, 50, 65, 68	Wiring, Pwr, Mod A,B,C	571-05603-209	807137	
	D	40, 46, 50, 58, 65, 68	Wiring, Pwr, Mod D	571-05604-201	825895	
233	A, B	17, 28, 46, 58	Fuse, Cartridge Type 10 Amp	025-35905-000	739234	38
		40, 50, 65, 68	Fuse, Cartridge Type 12 Amp	025-35906-000	652698	
	C	40, 50, 65, 68	Fuse, Cartridge Type 12 Amp	025-35906-000	652698	
	D	40, 65, 68	Fuse, Cartridge Type 12 Amp	025-35906-000	652698	
		46, 58	Fuse, Cartridge Type 10 Amp	025-35905-000	739234	
234	B, C	50	Shield, C-H Breaker Terminal	024-36075-000	645408	40
239	A, B	All	Switch, DPST, Two Position	024-34951-000	736122	40
240	A, B	17, 28, 46, 58	Control VSD Logic Brd	031-02507-000	360014	40
		40, 50, 65, 68		031-02507-100	538835	
	C	40, 50, 65, 68		031-02507-000	360014	
	D	40, 46, 50, 58, 65, 68		031-02507-000	360014	

**TABLE 36 - VSD SUPPLY TERMINAL BLOCK DUAL SYSTEM (MODEL SPECIFIC)**

ITEM	PIN 11	VOLTS	DESCRIPTION	PART NUMBER	SAP	FIGURE
200	A, B	All	Panel, A,B,C, Comm	371-05603-100	774265	*
	C	40, 50, 65, 68				
	D	40, 46, 50, 58, 65, 68	Panel, Com Parts	371-05604-100	825926	
201	A, B	All	Kit, Lugs, (2) #2 600Kcmil	371-05616-004	704505	40
	C	40, 50, 65, 68	Kit, Lugs, (3) #2 600Kcmil	371-05616-006	704506	
	D	40, 46, 50, 58, 65, 68				
203	A, B, C	All	Plate, Without C.B., Trident	371-05603-373	704517	40
	C	40, 50, 65, 68				
	D	40, 46, 50, 58, 65, 68				
204	A, B	All	Wiring, Pwr, Mod A,B,C	571-05603-202	704520	40
	C	40, 50, 65, 68	Wiring, Pwr, Mod A,B,C	571-05603-210	704521	
	D	40, 50, 65, 68	Wiring, Pwr, Mod D	571-05604-204	825893	
		46, 58	Wiring, Pwr, Mod D	571-05604-202	847973	
206	A, B	All	Lug, Elec Sgl Bbl, #4-500	025-32835-000	738755	38
	C	40, 50, 65, 68				
	D	40, 46, 50, 58, 65, 68				
207	A	All	Inductor Drive 2 Compr	025-42133-000	740060	39
	B	All		025-40742-000	739923	
	C	40, 50, 65, 68		025-40742-000	739923	
	D	40, 50, 65, 68		025-40741-000	739922	
		46, 58		025-39676-000	342937	
216	A, B	17, 28, 40, 46, 58	Control Trigger Board	031-02060-001	743858	38
		50, 65, 68		031-02060-002	63166	
	C	50, 65, 68		031-02060-002	63166	
		40		031-02060-001	743858	
	D	50, 65, 68		031-02060-002	63166	
		40, 46, 58		031-02060-001	743858	
217	A	17, 28, 46, 58	Transformer, 2Kva, 480:120Vac	025-40114-001	739751	38
		40, 65	Transformer, 2Kva, 380:120Vac	025-40114-007	692407	
		68	Transformer P=374.0-374.0V 3 Phase	025-40114-011	704962	
		50	Transformer, 2Kva, 400:120Vac	025-40114-005	739754	
	B	17, 28, 46, 58	Transformer, 2Kva, 480:120Vac	025-40114-001	739751	
		40, 65	Transformer, 2Kva, 380:120Vac	025-40114-007	692407	
		68	Transformer P=374.0-374.0V 3 Phase	025-40114-011	704962	
		50	Transformer, 2Kva, 400:120Vac	025-40114-005	739754	
	C	40, 65	Transformer, 2Kva, 380:120Vac	025-40114-007	692407	
		68	Transformer P=374.0-374.0V 3 Phase	025-40114-011	704962	
		50	Transformer, 2Kva, 400:120Vac	025-40114-005	739754	
	D	40, 65	Transformer, 2Kva, 380:120Vac	025-40114-007	692407	
		68	Transformer P=374.0-374.0V 3 Phase	025-40114-011	704962	
46, 58		Transformer, 2Kva, 480:120Vac	025-40114-001	739751		
50		Transformer, 2Kva, 400:120Vac	025-40114-005	739754		
219	A	All	Fan Assembly	371-05278-801	704963	39
	B	17, 28, 40, 46, 58		371-04179-813	772632	
		50, 65, 68		371-04179-812	692408	
	C	50, 65, 68		371-04179-812	692408	
		40		371-04179-813	772632	
	D	40, 46, 50, 58, 65, 68		371-04179-812	692408	

**TABLE 36 (CONT'D) - VSD SUPPLY TERMINAL BLOCK DUAL SYSTEM (MODEL SPECIFIC)**

ITEM	PIN 11	VOLTS	DESCRIPTION	PART NUMBER	SAP	FIGURE
221	A	17, 28, 46, 58	Flash Control A & B 460V	031-02649-110	1090841	40
		40, 50, 65, 68	Flash Control A & B 380/400V	031-02649-111	1084658	
	B	17, 28, 46, 58	Flash Control A & B 460V	031-02649-110	1090841	
		40, 50, 65, 68	Flash Control A & B 380/400V	031-02649-111	1084658	
	C	40, 50, 65, 68	Flash Control C & D 380/400V	031-02649-112	1084657	
	D	40, 50, 65, 68	Flash Control C & D 380/400V		031-02649-115	
		46, 58	Flash Control D 460V			
222	A	All	Power Assy 2 Compr	371-05279-101	773890	39
	B	All		371-04181-101	772682	
	C	40, 50, 65, 68		371-04181-104	772685	
	D	40, 46, 50, 58, 65, 68		371-05679-101	774330	
224	A, B	All	Harness, Main, Trident	571-05603-221	807139	42
	C	40, 50, 65, 68		571-05604-221	825889	
	D	40, 46, 50, 58, 65, 68				
225	A, B	All	Trans Drive System #1	371-04178-365	772513	39
	C	40, 50, 65, 68		371-04178-369	772515	
	D	40, 46, 50, 58, 65, 68				
226	A, B	All	Trans Drive System #2	371-04178-367	772514	39
	C	40, 50, 65, 68		371-04178-378	772519	
	D	40, 46, 50, 58, 65, 68				
227	A, B	All	Fuseholder-Modular, 3-Pole	025-39952-000	343433	38
	C	40, 50, 65, 68				
	D	40, 46, 50, 58, 65, 68				
228	A, B	All	Fuse, Semi, 630A, 700V	025-42142-000	645566	39
	C	40, 50, 65, 68	Fuse, Semi, 800A, 700V	025-40763-000	739932	
	D	40, 50, 65, 68	Fuse, Semi, 1000A, 700V	025-42601-000	703412	
		46, 58	Fuse, Semi, 900A, 700V	025-40786-000	739934	
231	A	All	Wiring, Pwr, Mod A,B,C	571-05603-201	704518	39
	B	All	Wiring, Pwr, Mod A,B,C	571-05603-205	692422	
	C	40, 50, 65, 68	Wiring, Pwr, Mod A,B,C	571-05603-209	807137	
	D	40, 46, 50, 58, 65, 68	Wiring, Pwr, Mod D	571-05604-201	825895	
233	A, B	17, 28, 46, 58	Fuse, Cartridge Type 10 Amp	025-35905-000	739234	38
		40, 50, 65, 68	Fuse, Cartridge Type 12 Amp	025-35906-000	652698	
	C	40, 50, 65, 68	Fuse, Cartridge Type 12 Amp	025-35906-000	652698	
	D	40, 50, 65, 68	Fuse, Cartridge Type 12 Amp	025-35906-000	652698	
46, 58		Fuse, Cartridge Type 10 Amp	025-35905-000	739234		
239	A, B	All	Switch, DPST, Two Position	024-34951-000	736122	40
	C	40, 50, 65, 68				
	D	40, 46, 50, 58, 65, 68				
240	A, B	All	Control VSD Logic Brd	031-02507-000	360014	40
	C	40, 50, 65, 68				
	D	40, 46, 50, 58, 65, 68				

**TABLE 37 - VSD SUPPLY TERMINAL BLOCK (COMMON)**

ITEM	DESCRIPTION	PART NUMBER	SAP	FIGURE
1	Kit-Enclosure, Trident	371-05603-301	774267	38
5	Relay Control DPST-No, 120 Vac	024-30441-000	664298	38
6	Standoff Drive 503Hp	371-03789-371	772343	39
7	Transformer Class 2	025-27911-000	1312	38
8	Shielded 2 Compr Right	071-05183-000	749197	40
	Shield 3 Compr Right (Frame D)	071-05187-000	749199	
9	Shielded 2/3 Compr	071-05184-000	749198	40
10	Bracket, Shield	371-05603-389	774279	40
11	Bracket, Shield	371-05603-392	774280	40
15	Fuseholder-Modular, 1-Pole	025-39951-000	359985	38
17	Control Voltage	031-02453-000	743895	38
20	Control Relay Board	031-02479-001	340702	40
22	Resistor, Power Wirewound	025-35953-000	117824	38
23	Capacitor Dv/Dt Network	025-39806-000	251765	38
24	Harness Dvdt 2 Compr	571-04178-211	806999	38
25	Thermal Pad, Resistor, Wide	028-15299-000	742121	38
28	Control, Control Board	031-02478-102	743908	40
30	Standoff Drive	371-04178-371	772516	39
31	Control Tme Bus Isolator	031-01624-000	743779	38
32	Gasket, Field Conn	028-16531-000	692397	38
33	Gasket Customer Conn	028-15247-000	742106	38
34	Gasket Circuit Brkt 2 Compr	028-15824-000	651576	40
	Gasket Circuit Breaker (Frame D)	028-15248-000	742107	
37	Gasket Coil Drive	028-15251-000	742109	39
39	Terminal Block	371-05603-356	774277	38
41	Cable Trig To Gate	571-04178-251	427924	38,39
42	Cable Gate Driver	571-04178-281	427925	39
43	Cable Gate Driver	571-04178-282	427926	39
59	Eeprom, VSD Logic Board	031-03422-010	947512	40
61	Switch Keypad	024-34930-000	247624	40
62	Display LCD	031-02508-000	743925	40
64	Clamp Ribbon Wire, Gray	025-25156-000	737712	40
68	Cable Ribbon Display To Micro	571-05603-261	1085133	40,42
	Cable Display/Cont Bd (Frame D)	571-04178-268	807013	
69	Cable Ribbon Keypad To Micro	571-05603-262	1085134	40,42
	Cable Keypad/Cont Bd (Frame D)	571-04178-269	807014	
70	Cable Ribbon Relay	571-04178-263	807008	40
71	Cable Logic To Control	571-04178-271	807015	42
72	Stepper Motor (Ets 250) EEV	031-02742-000	744082	38
74	Rail Mtg Valve Controller	071-04178-363	748851	38
76	Clamp, End For 35Mm X 7Mm	025-29189-000	117471	38
77	Cable Ribbon Relay	571-04178-264	807009	40
80	Ferr Splice Cap For Use With	025-10434-000	737259	38
82	Ferr Splice Cap For Use With	025-10372-000	737258	38,41
84	Bush Snap 7/8 Id Hole	025-12016-000	737325	38

**TABLE 37 (CONT'D) - VSD SUPPLY TERMINAL BLOCK DUAL SYSTEM (COMMON)**

ITEM	DESCRIPTION	PART NUMBER	SAP	FIGURE
86	Cable, Shielded	571-05603-291	807140	*
	Cable, Shielded, Mod D (Frame D)	571-05604-291	825888	
88	Fuse, Semi Conductor	025-38523-000	739590	38
90	Fuse, Cartridge Type 15 Amp	025-35907-000	117822	38
91	Fuse, Cartridge Type 10 Amp	025-35905-000	739234	38
92	Fuse, Cartridge Type 15 Amp	025-34141-000	739008	38
93	Fuse, Cartridge Type 20 Amp	025-35908-000	117823	38
94	Fuse, Cartridge Type 6 Amp	025-35902-000	264466	38
95	Base, Flat Cable Mount	025-42113-000	644640	40
96	Base, Flat Cable Mount	025-42114-000	644641	40
116	Block Term Base Flat	025-20944-000	62696	38
117	Block Term End	025-20946-000	618097	38
127	Heat Exchanger Drive	371-02767-389	772126	41
128	Pump Up26-99F 115V 6H 1Ph 60Hz	026-33890-000	3590	41
129	Reservoir	371-05603-361	774278	41
130	Valve Boiler Drain 1/2 Npte	022-10090-000	692414	41
138	Nipple Pipe 1-1/2 Sch 40 X	023-18209-000	60695	41
139	Flange Set Scr Oval 1-1/2	023-20283-000	733193	41
140	Connr, Conduit Flex Angle	025-31316-001	144731	41
141	Fitting, Hose, Straight, Nylon	023-20285-000	692417	41
142	Fitting, Flare, 90 Deg, Brass	023-20284-000	692418	41
143	Clamp Hose 11/16 Min Dia	023-08856-000	617439	41
144	Tube Plastic, Polyurethane	028-14491-000	741890	41
145	Manifold, Distribution	023-25218-000	692419	41
147	Conduit Elec Flex 1/2 Liquid	025-30473-001	738505	41
148	Bracket Clamp Fill Pipe VSD	071-02291-420	748189	41
149	Clamp Hose 2-5/8 Min Dia	021-19150-000	564227	41
150	Clamp Tube 1" Od, Vinyl	021-30744-000	730644	41

**NOTE:** Items with an \* are NOT represented.

**TABLE 38 - VSD SUPPLY TERMINAL BLOCK DUAL SYSTEM (MODEL SPECIFIC)**

ITEM	PIN 11	VOLTAGE (PIN 20 & 21)	DESCRIPTION	PART NUMBER	SAP	FIGURE
200	A, B	All	Panel, A,B,C, Comm	371-05603-100	774265	-
	C	40, 50, 65, 68				
	D	40, 46, 50, 58, 65, 68	Panel, Trident, Com Parts	371-05604-100	825926	
201	A, B	All	Kit, Lugs, (2) #2 600Kcmil	371-05616-004	704505	40
	C	40, 50, 65, 68	Kit, Lugs, (3) #2 600Kcmil	371-05616-006	704506	
203	D	40, 46, 50, 58, 65, 68	Plate, without C.B.	371-05603-373	704517	40
	A, B, C	All				
	C	40, 50, 65, 68				
	D	40, 46, 50, 58, 65, 68				
204	A, B	All	Wiring, Pwr, Mod A,B,C	571-05603-202	704520	40
	C	40, 50, 65, 68	Wiring, Pwr, Mod A,B,C	571-05603-210	704521	
	D	40, 50, 65, 68	Wiring, Pwr, Mod D	571-05604-204	825893	
		46, 58	Wiring, Pwr, Mod D	571-05604-202	847973	
206	All	All	Lug, Elec Sgl Bbl, #4-500	025-32835-000	738755	38
207	A	All	Inductor, Drive 2 Compr	025-42133-000	740060	39
	B	All		025-40742-000	739923	
	C	40, 50, 65, 68		025-40742-000	739923	
	D	40, 50, 65, 68		025-40741-000	739922	
		46, 58		025-39676-000	342937	
216	A, B	17, 28, 40, 46, 58	Control, Trigger Board	031-02060-001	743858	38
		50, 65, 68		031-02060-002	63166	
	C	50, 65, 68		031-02060-002	63166	
		40		031-02060-001	743858	
	D	50, 65, 68		031-02060-002	63166	
		40, 46, 58		031-02060-001	743858	

**TABLE 38 (CONT'D) - VSD SUPPLY TERMINAL BLOCK DUAL SYSTEM (MODEL SPECIFIC)**

ITEM	PIN 11	VOLTAGE (PIN 20 & 21)	DESCRIPTION	PART NUMBER	SAP	FIGURE
219	A	All	Fan Assembly	371-05278-801	704963	39
	B	17, 28, 40, 46, 58		371-04179-813	772632	
		50, 65, 68		371-04179-812	692408	
	C	50, 65, 68		371-04179-812	692408	
		40		371-04179-813	772632	
D	40, 46, 50, 58, 65, 68	371-04179-812	692408			
221	A	17, 28, 46, 58	Flash Control A & B 460V	031-02649-110	1090841	40
		40, 50, 65, 68	Flash Control A & B 380/400V	031-02649-111	1084658	
	B	17, 28, 46, 58	Flash Control A & B 460V	031-02649-110	1090841	
		40, 50, 65, 68	Flash Control A & B 380/400V	031-02649-111	1084658	
	C	40, 50, 65, 68	Flash Control C & D 380/400V	031-02649-112	1084657	
	D	40, 50, 65, 68	Flash Control C & D 380/400V	031-02649-112	1084657	
46, 58		Flash Control D 460V	031-02649-115	1090844		
222	A	All	Power Assy 2 Compr	371-05279-101	773890	39
	B	All		371-04181-101	772682	
	C	40, 50, 65, 68		371-04181-104	772685	
	D	40, 46, 50, 58, 65, 68		371-05679-101	774330	
224	A, B	All	Harness, Main	571-05603-221	807139	*
	C	40, 50, 65, 68		571-05604-221	825889	
	D	40, 46, 50, 58, 65, 68				
225	A, B	All	Trans Drive System #1	371-04178-365	772513	39
	C	40, 50, 65, 68		371-04178-369	772515	
	D	40, 46, 50, 58, 65, 68		371-04178-369	772515	
226	A, B	All	Trans Drive System #2	371-04178-367	772514	39
	C	40, 50, 65, 68		371-04178-378	772519	
	D	40, 46, 50, 58, 65, 68				
227	All	All	Fuseholder-Modular, 3-Pole	025-39952-000	343433	38
228	A, B	All	Fuse, Semi, 630A, 700V	025-42142-000	645566	39
	C	40, 50, 65, 68	Fuse, Semi, 800A, 700V	025-40763-000	739932	
	D	40, 50, 65, 68	Fuse, Semi, 1000A, 700V	025-42601-000	703412	
		46, 58	Fuse, Semi, 900A, 700V	025-40786-000	739934	
231	A	All	Wiring, Pwr, Mod A,B,C	571-05603-201	704518	39
	B	All		571-05603-205	692422	
	C	40, 50, 65, 68		571-05603-209	807137	
	D	40, 46, 50, 58, 65, 68		571-05604-201	825895	
233	A, B	17, 28, 46, 58	Fuse, Cartridge Type 10 Amp	025-35905-000	739234	38
		40, 50, 65, 68	Fuse, Cartridge Type 12 Amp	025-35906-000	652698	
	C	40, 50, 65, 68				
	D	40, 50, 65, 68	Fuse, Cartridge Type 10 Amp	025-35905-000	739234	
239	All	All	Switch, Dpst, Two Position	024-34951-000	736122	40
240	All	All	Control VSD Logic Brd	031-02507-000	360014	40

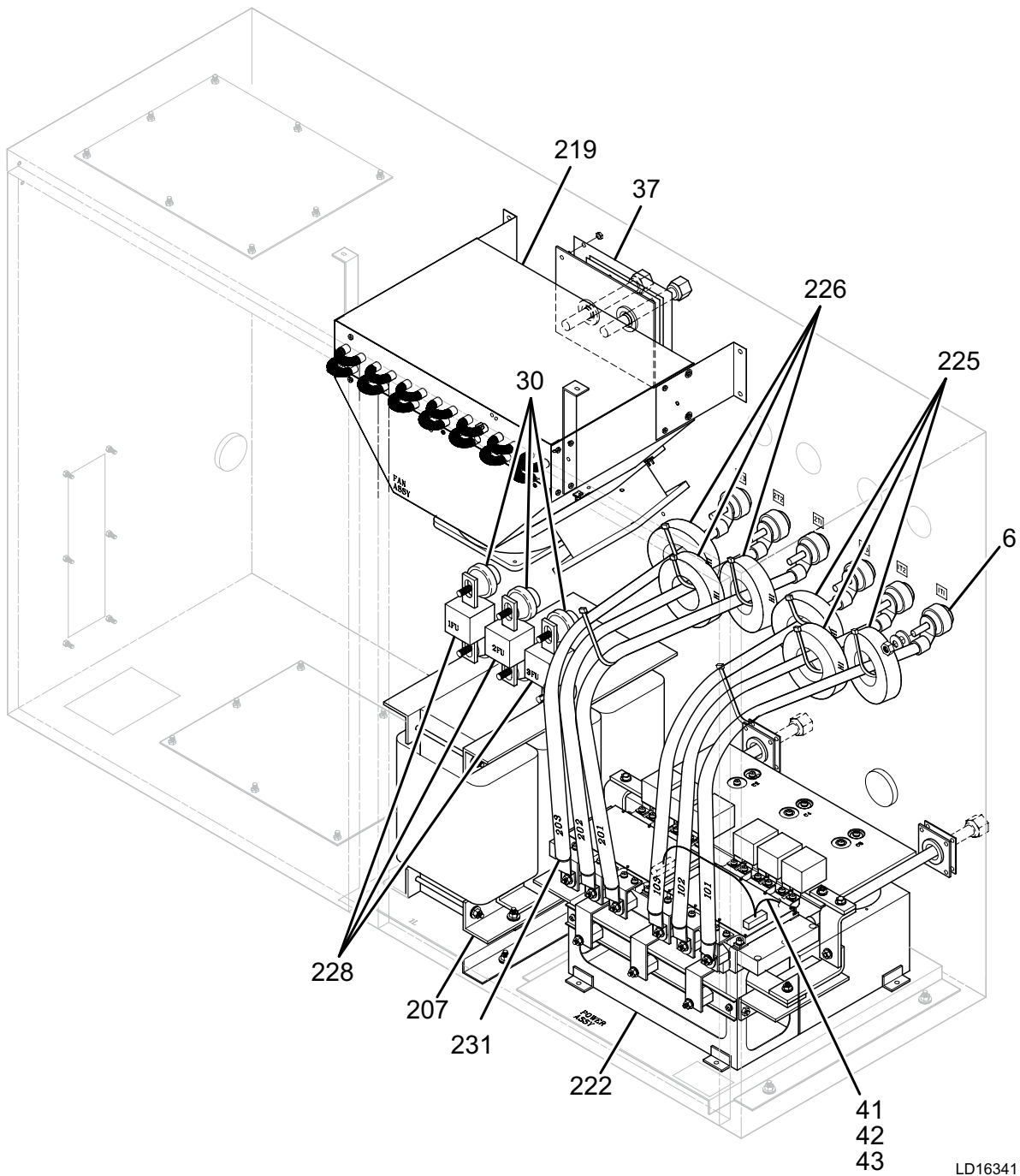
**TABLE 39 - VSD DUAL SYSTEM SERVICE KITS**

VSD MODEL NUMBER	POWER ASSEMBLY KIT	LOGIC BOARD KIT
TVP2CMPXW-50A	371-05279-402	331-02507-611
TVP2CMPXW-50B	371-04181-407	
TVP2CMPXW-50C	371-04181-408	331-02507-612
TVP2CMPXW-65A	371-05279-402	331-02507-611
TVP2CMPXW-65B	371-04181-407	
TVP2CMPXW-65C	371-04181-408	331-02507-612
TVP2CMPXW-68A	371-05279-402	331-02507-611
TVP2CMPXW-68B	371-04181-407	
TVP2CMPXW-68C	371-04181-408	331-02507-612
TVP2CMPBW-40C	371-04181-408	331-02507-612
TVP2CMPBW-50A	371-05279-402	331-02507-611
TVP2CMPBW-50B	371-04181-407	
TVP2CMPBW-50C	371-04181-408	331-02507-612
TVP2CMPBW-65A	371-05279-402	331-02507-611
TVP2CMPBW-65B	371-04181-407	
TVP2CMPBW-65C	371-04181-408	331-02507-612
TVP2CMPBW-68A	371-05279-402	331-02507-611
TVP2CMPBW-68B	371-04181-407	
TVP2CMPBW-68C	371-04181-408	331-02507-612
TVP2CMPDW-50A	371-05279-402	331-02507-611
TVP2CMPDW-50B	371-04181-407	
TVP2CMPDW-50C	371-04181-408	331-02507-612
TVP2CMPDW-65A	371-05279-402	331-02507-611
TVP2CMPDW-65B	371-04181-407	
TVP2CMPDW-65C	371-04181-408	331-02507-612
TVP2CMPDW-68A	371-05279-402	331-02507-611
TVP2CMPDW-68B	371-04181-407	
TVP2CMPDW-68C	371-04181-408	331-02507-612

**TABLE 40 - VSD DUAL SYSTEM SERVICE KIT COMPONENTS**

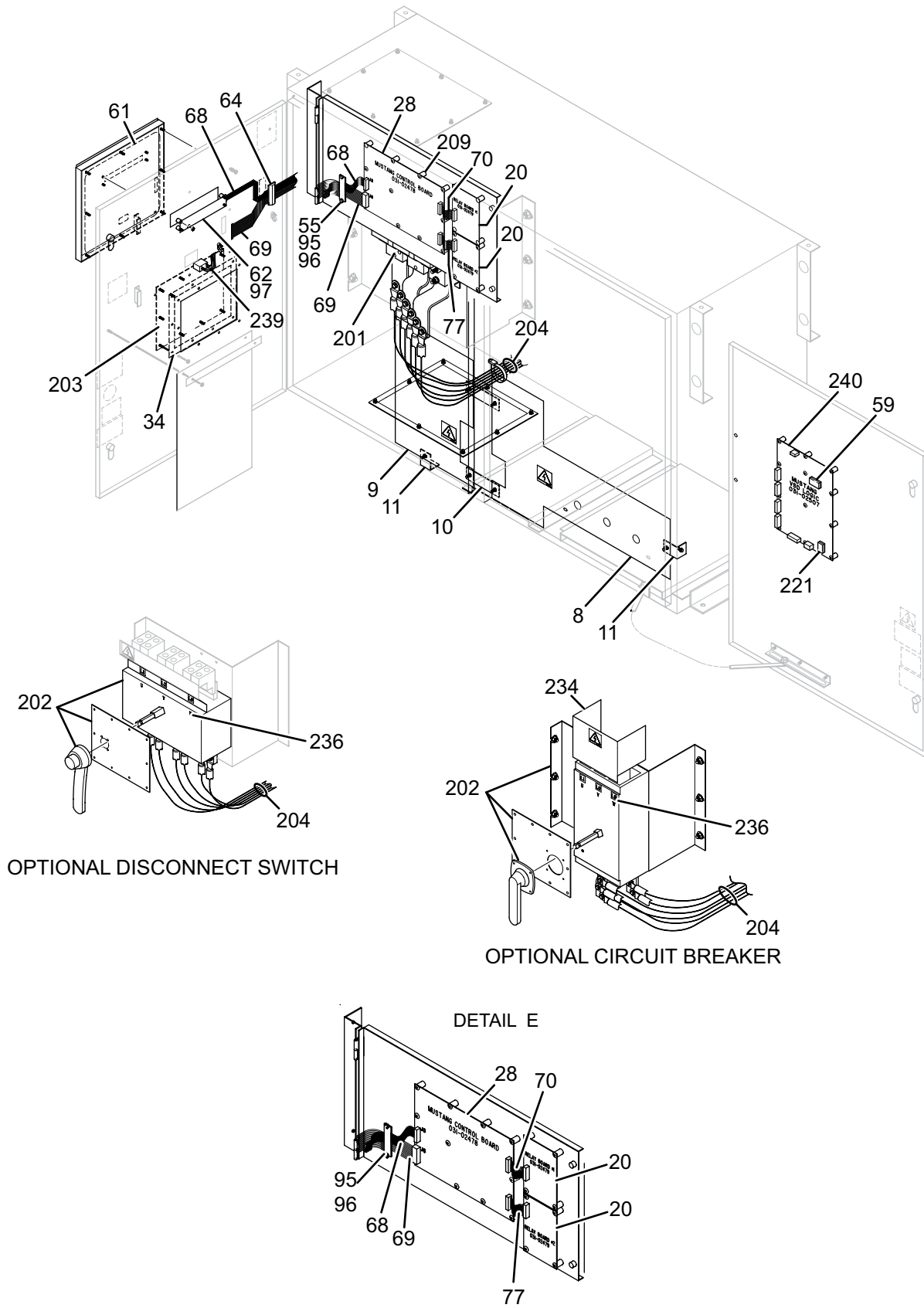
ITEM	DESCRIPTION	YORK PART NUMBER	SAP PART NUMBER	QUANTITY
<b>250</b>	Kit, VSD Logic Board	331-02507-610	865548	-
	Board, Logic	031-02507-000	360014	1
	Flash, VSD Logic U52	031-02649-010	743997	1
	EPROM, VSD Logic U39	031-02522-010	743927	1
<b>250</b>	Kit, VSD Logic Board	331-02507-611	865549	-
	Board, Logic	031-02507-100	538835	1
	Flash, VSD Logic U52	031-02649-011	743998	1
	EPROM, VSD Logic U39	031-02522-010	743927	1
<b>250</b>	Kit, VSD Logic Board	331-02507-612	865550	-
	Board, Logic	031-02507-000	360014	1
	Flash, VSD Logic U52	031-02649-012	743999	1
	EPROM, VSD Logic U39	031-02522-010	743927	1
<b>250</b>	Kit, VSD Logic Board	331-02507-618		-
	Board, Logic	031-02507-000		1
	Flash, VSD Logic U52	031-02649-110		1
	EPROM, VSD Logic U35	035-21738-000		1
<b>250</b>	Kit, VSD Logic Board	331-02507-619		-
	Board, Logic	031-02507-100		1
	Flash, VSD Logic U52	031-02649-111		1
	EPROM, VSD Logic U35	031-03422-010		1
<b>250</b>	Kit, VSD Logic Board	331-02507-620		-
	Board, Logic	031-02507-000		1
	Flash, VSD Logic U52	031-02649-112		1
	EPROM, VSD Logic U35	031-03422-010		1
<b>250</b>	Kit, VSD Logic Board	331-02507-621		-
	Board, Logic	031-02507-000		1
	Flash, VSD Logic U52	031-02649-115		1
	EPROM, VSD Logic U35	031-03422-010		1
<b>260</b>	Kit, VSD Power Assembly (225-232A)	371-05279-402	865758	-
	Power Assembly, VSD	371-05279-101	773890	1
	Plug, FLA 5/8	023-22713-000	733711	2
	Coolant, Inhibitor, 1 gallon	013-02987-000	729086	2
<b>260</b>	Kit, VSD Power Assembly (283A)	371-05279-407	-	-
	Power Assembly, VSD	371-04181-101	772682	1
	Plug, FLA 5/8	023-22713-000	733711	2
	Coolant, Inhibitor, 1 gallon	013-02987-000	729086	2
<b>260</b>	Kit, VSD Power Assembly (338A)	371-05279-408	-	-
	Power Assembly, VSD	371-04181-104	772685	1
	Plug, FLA 5/8	023-22713-000	733711	2
	Coolant, Inhibitor, 1 gallon	013-02987-000	729086	2
<b>260</b>	Kit, VSD Power Assembly (412A)	371-05679-402	865760	-
	Power Assembly, VSD	371-05679-101	774330	1
	Plug, FLA 5/8	023-22713-000	733711	2
	Coolant, Inhibitor, 1 gallon	013-02987-000	729086	2



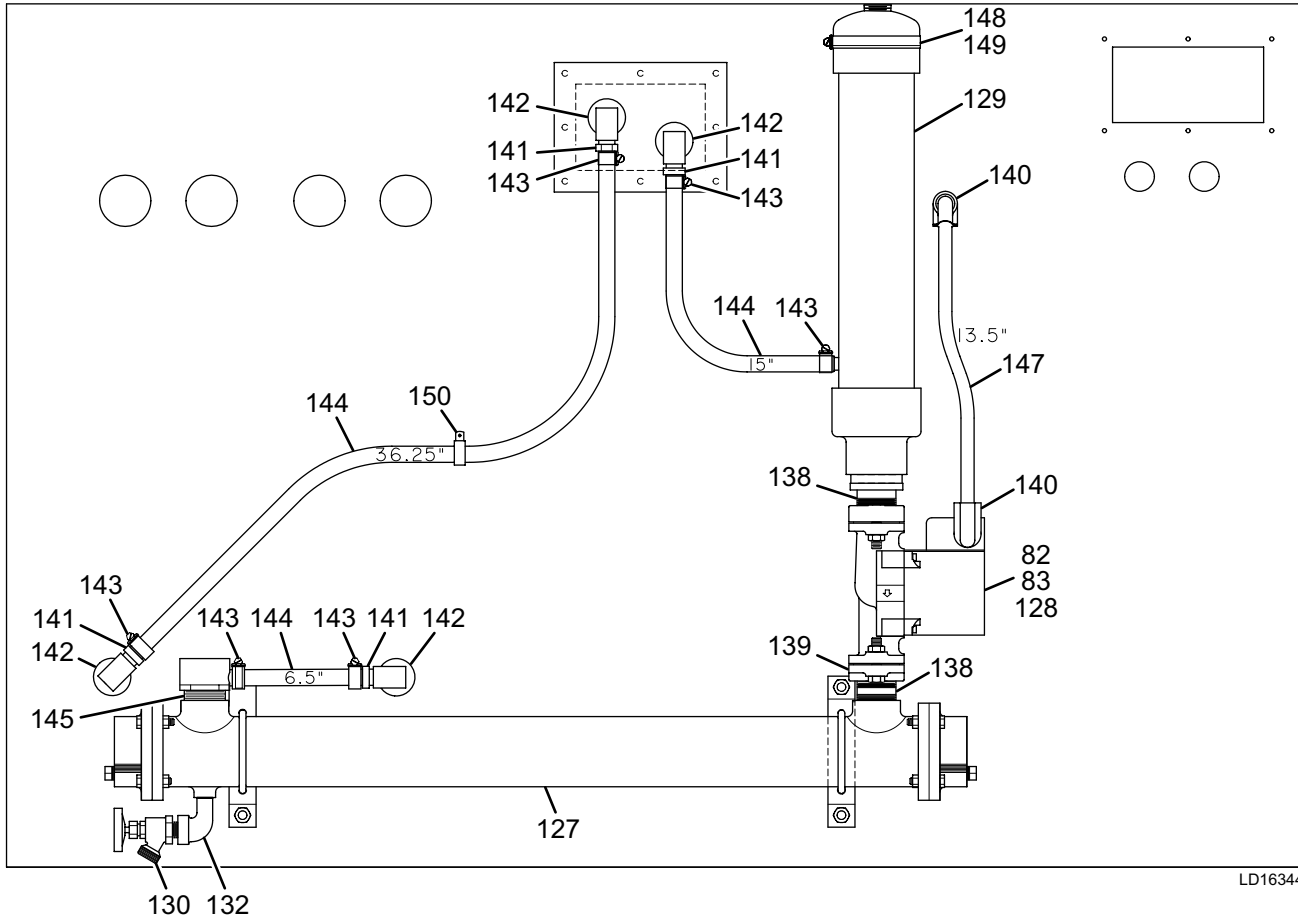


LD16341

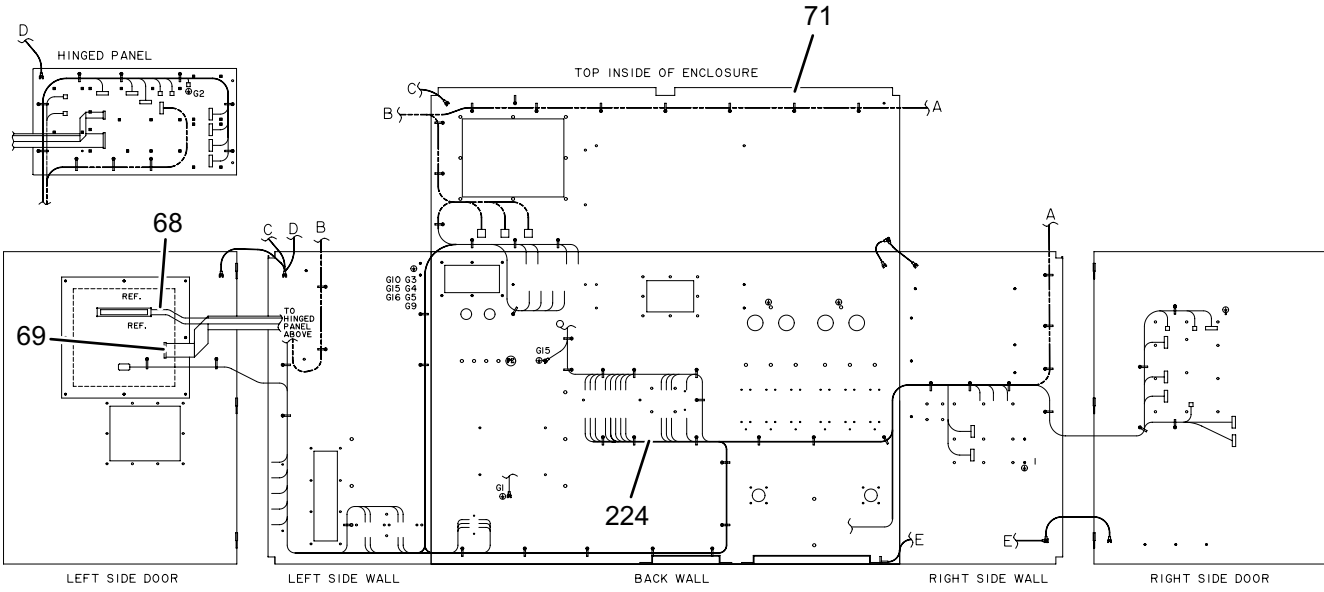
**FIGURE 39 - VSD DUAL SYSTEM**



**FIGURE 40 - VSD DUAL SYSTEM**



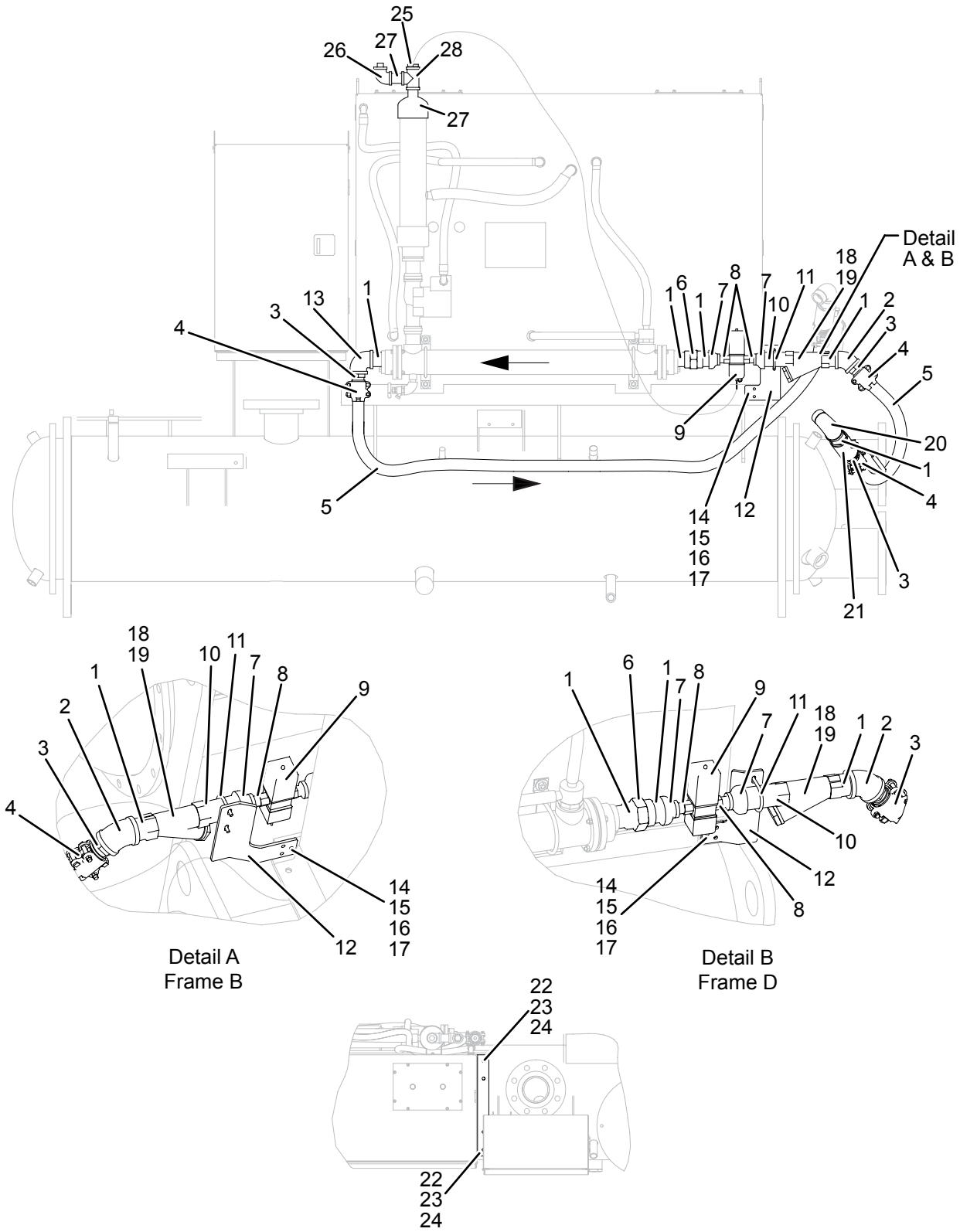
**FIGURE 41 - VSD DUAL SYSTEM**



**FIGURE 42 - VSD DUAL SYSTEM DUAL SYSTEM**

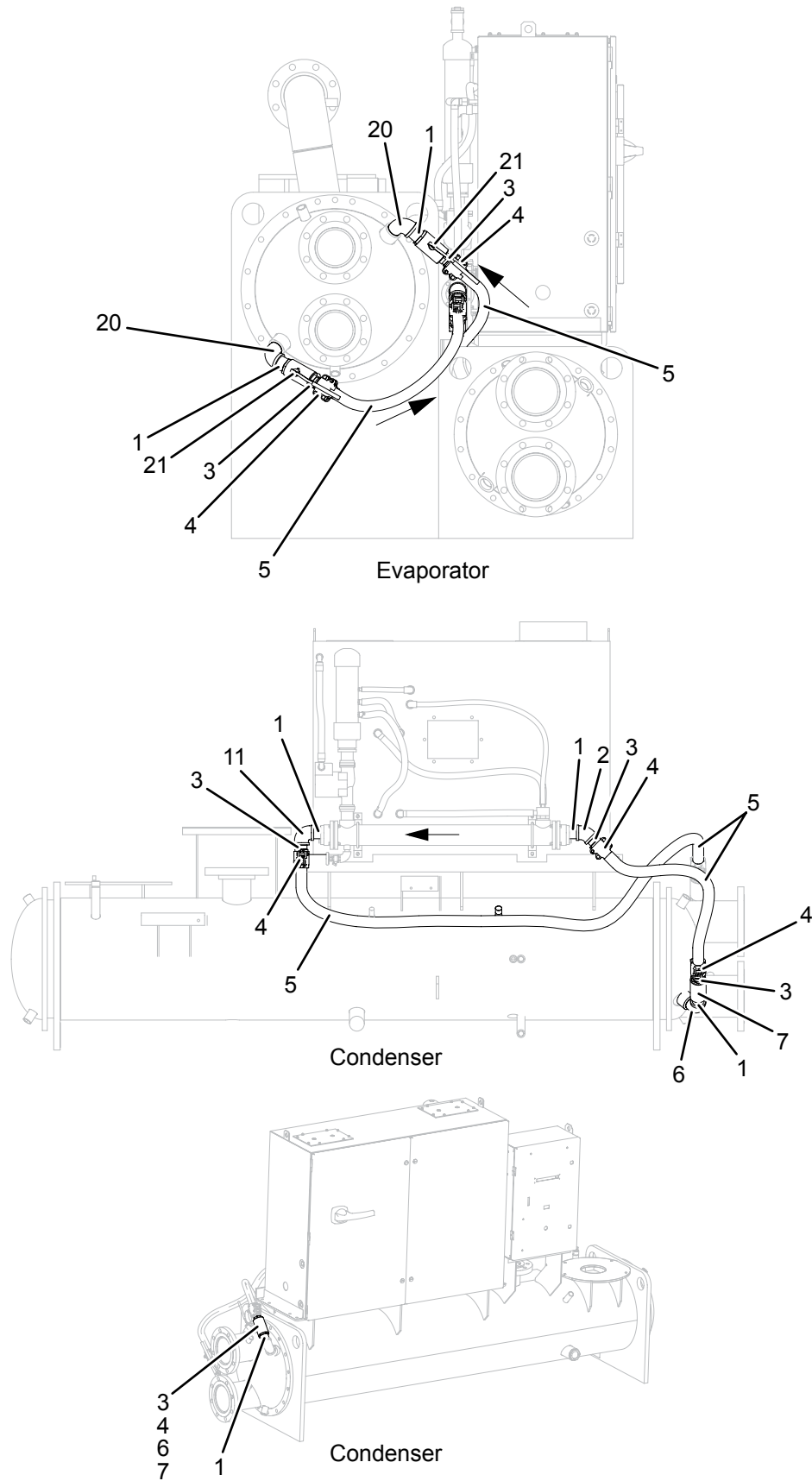
**TABLE 41 - VSD INSTALLATION / COOLING SINGLE SYSTEM**

ITEM	PIN 27=	DESCRIPTION	YORK PART NUMBER	SAP PART NUMBER	QUANTITY	FIGURE
1	H,S	Nipple, Pipe 1-1/2" Sch 40	023-18209-000	60695	6	43,44
2	H,S	Elbow, Scr 1-1/2" X 11-1/2" NPTI 45 Deg	023-11637-000	146762	1	44
3	H,S	Adapter, Combination 1-1/2" MPT (150 PSIG)	023-20295-000	60699	4	43,44
		Adapter, Stem Male 1-1/2" NPT (300 PSIG)	023-40047-000	573160	4	
4	H,S	Clamp, Hose 1-25/32" Min Dia (150 PSIG)	021-30656-000	60683	8	43,44
		Clamp, Hose 1-1/2" 2 U Bolt (300 PSIG)	023-40048-000	116365	4	
5	H,S	Hose, 1-1/2" ID X 2 To 2-1/32" (150 PISG)	028-15001-000	144455	4	43,44
		Hose, 1-1/2" ID X 2-3/64" (300 PSIG)	028-15028-000	144458	4	
6	H	Union, Scr 1-1/2" NPTI Grd	023-17625-000	146679	1	43,44
	S	Elbow, Screw Street 1-1/2" NPTI	023-17785-000	617581	2	
7	H	Valve, Ball 1-1/2" NPTI	022-08873-000	336758	2	43,44
	S	Coupling, NPTI MIG 150# 1-1/2" X 3/4"	023-17587-000	160697	2	
8	H	Nipple, Pipe 3/4" Sch 40	023-15860-000	116281	2	43
9	H	Valve, Reg Temperature	022-08817-000	116003	1	43
10	H	Nipple, Pipe 1-1/2" Sch 40	023-18204-000	97839	1	43
11	H	U-Bolt 1/4"Dia X 1-1/2"Bet Legs X 3-1/2"	021-15713-000	835388	1	43,44
	S	Elbow, Screw 1-1/2" NPTI 90	023-01648-000	617255	1	
12	H	Support, 50" x 50" x 6" L=200 (Frame D)	092-06572-000	835389	1	43
	H	Support, 186" x 190" x 6" Stl (Frame B)	092-10668-000	926908	1	
13	H	Elbow, Screw 1-1/2" NPTI 90	023-01648-000	617255	1	43
14	H	Screw, Hex Head Cap 1/4"-20 x 1-1/4" Gr5 Zn	021-32004-010	730794	3	43
15	H	Nut, Hex 1/4"-20 Gr 5 Zn	021-32004-501	616899	3	43
16	H	Washer, Plain 1/4" Zn, 0.625/0.065	021-32004-503	641533	3	43
17	H	Washer, Helical Spring-Lock 1/4" Reg, Zn	021-32004-504	705356	3	43
18	H	Fitting, Str 1-1/2" NPTI Conns	029-21798-000	742812	1	43
19	H	Plug, Pipe 1- 11 NPTE	023-18084-000	732895	1	43
20	H	Elbow, Screw Street 1-1/2" NPTI	023-17785-000	617581	2	43,44
21	H	Valve, Ball 1-1/2" NPTI	022-08873-000	336758	2	43,44
22	H	Screw, Hex Cap 3/8"-16 X 1-1/2" Gr 5 Zn	021-32006-012	730819	12	43
23	H	Lockwasher, Th Int Hvy 3/8"	021-01158-000	729323	24	43
24	H	Nut, Hex 3/8"-16 Gr 5 Zn	021-32006-501	616900	12	43
25	H	Bushing, Pipe 1 - 11-1/2 NPTE	023-09029-000	732054	1	43
26	H	Elbow, 90 Deg Screw 1" NPTI	023-01643-000	731549	1	43
27	H	Nipple, Pipe 1 Sch 80 x 1-1/2" Lg	023-24421-000	733951	2	43
28	H	Tee, Screw 1" X 1" X 1" NPTI	023-01959-000	731552	1	43



LD17787

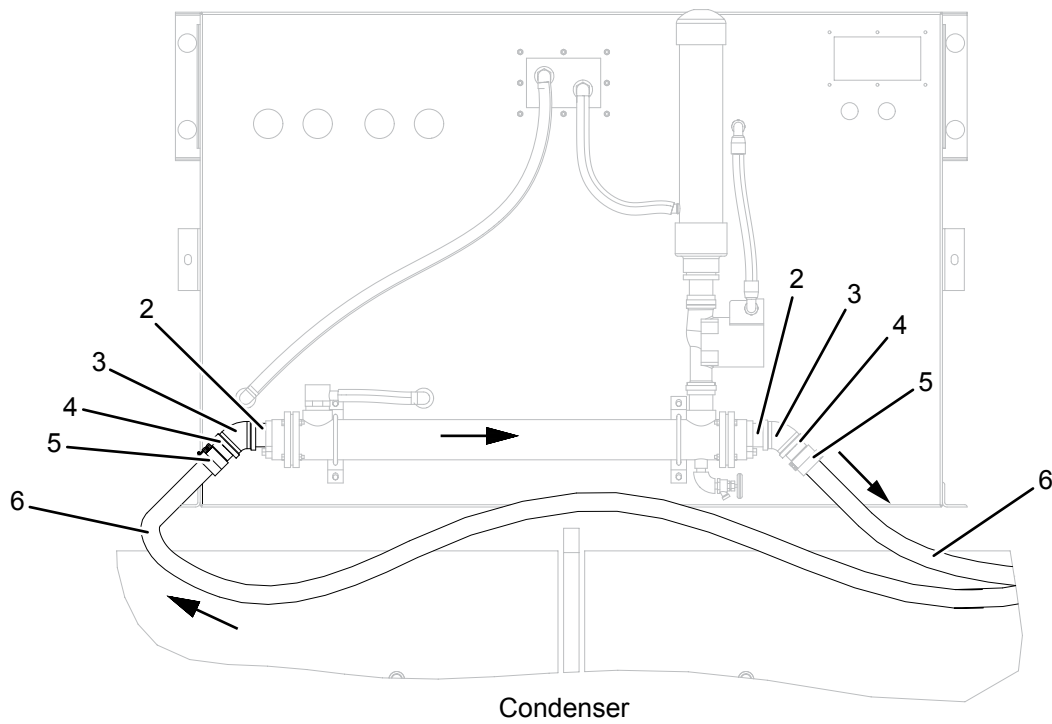
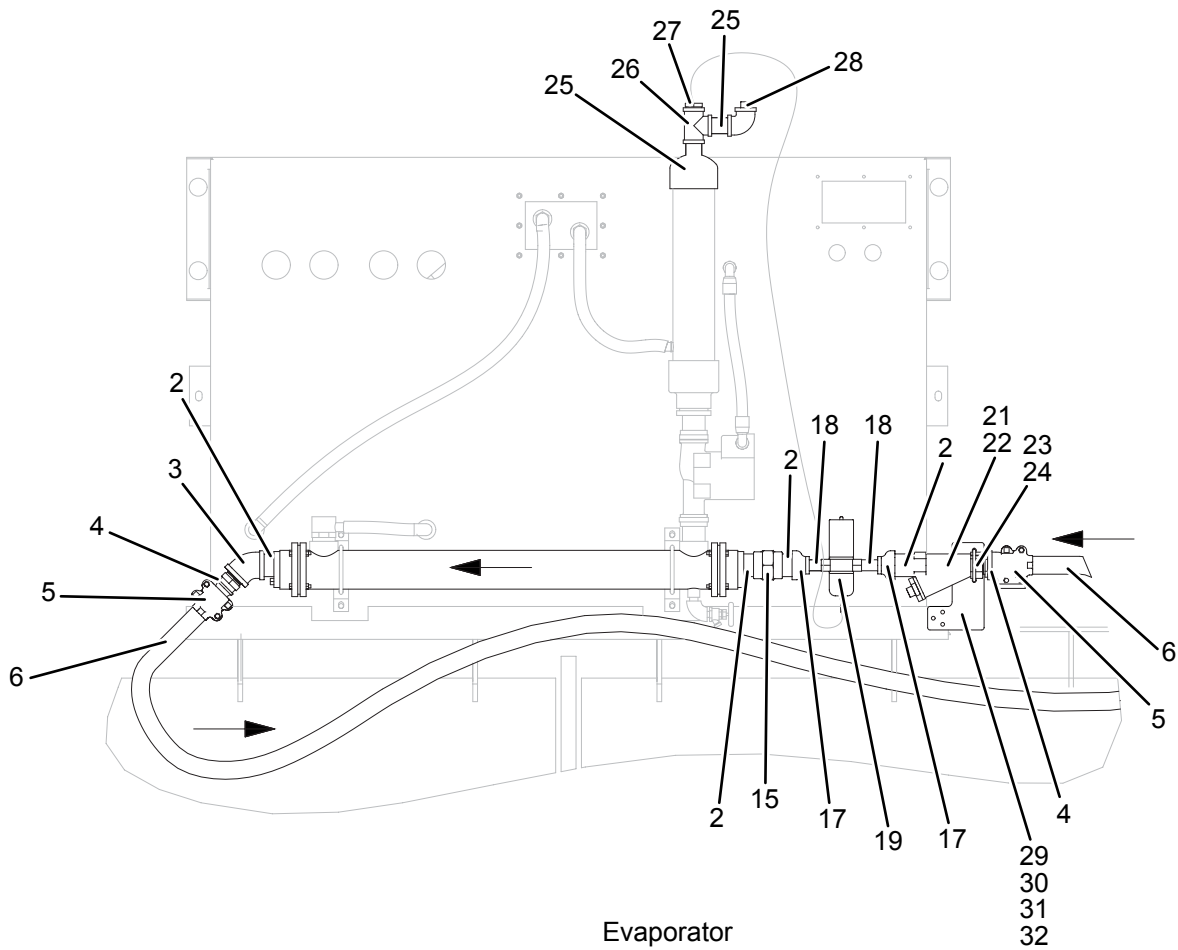
**FIGURE 43 - VSD INSTALLATION / COOLING SINGLE SYSTEM**



**FIGURE 44 - VSD INSTALLATION / COOLING SINGLE SYSTEM**

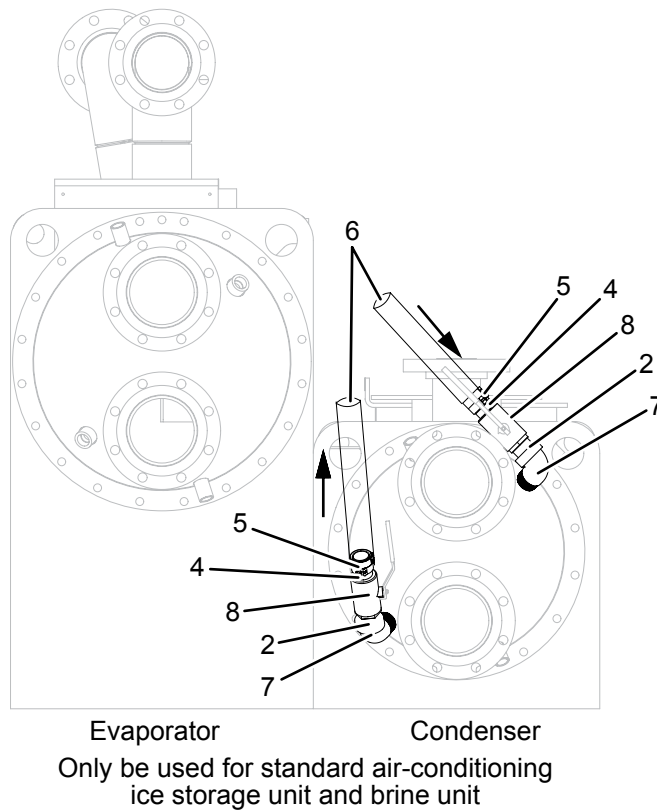
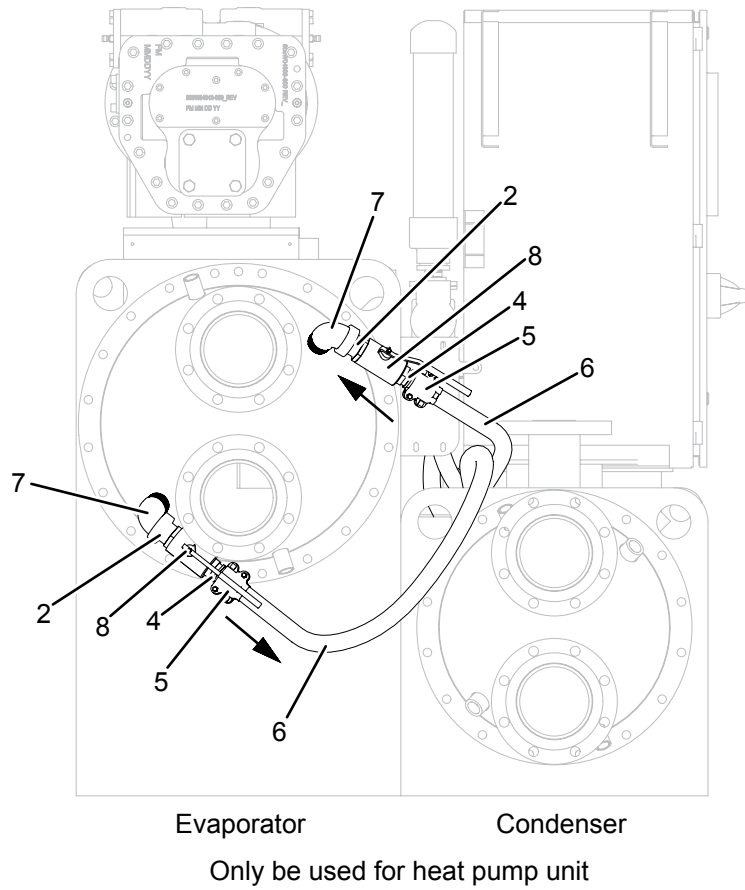
**TABLE 42 - VSD INSTALLATION / COOLING DUAL SYSTEM**

ITEM	PIN 27=	WATERSIDE DWP	DESCRIPTION	YORK PART NUMBER	SAP PART NUMBER	QUANTITY	FIGURE
2	H,S	150 / 300 PSIG	Nipple, Pipe 1-1/2" Sch 40	023-18209-000	60695	6	45,46
3	H,S	150 / 300 PSIG	Elbow, Screw 1-1/2" X 11-1/2" NPTI 45 Deg	023-11637-000	146762	2	45
4	H,S	150 PSIG	Adapter, Combination 1-1/2" MPT	023-20295-000	60699	4	45,46
	S	300 PSIG	Adapter, Stem Male 1-1/2" NPT	023-40047-000	573160	4	
5	H,S	150 PSIG	Clamp, Hose 1-25/32" Min Dia	021-30656-000	60683	8	45,46
	S	300 PSIG	Clamp, Hose 1-1/2" 2 U-Bolt	023-40048-000	116365	4	
6	H,S	150 PSIG	Hose, 150 PSI, 1-1/2" ID X 2-1/32"	028-15001-000	144455	6	45,46
	S	300 PSIG	Hose, 300 PSI, 1-1/2" ID X 2-3/64"	028-15028-000	144458	6	
7	H,S	150 / 300 PSIG	Elbow, Screw Street 1-1/2" NPTI	023-17785-000	617581	2	46
8	H,S	150 / 300 PSIG	Valve, Ball 1-1/2" X 1-1/2" NPTI	022-08873-000	336758	2	46
15	H	150 PSIG	Union, Screw 1-1/2" NPTI Grd	023-17625-000	146679	1	45
17	S	150 PSIG	Coupling, NPTI Mig 150# 1-1/2" X 3/4"	023-17587-000	160697	2	45
18	S	150 PSIG	Nipple, Pipe 3/4" Sch 40	023-15860-000	116281	2	45
19	S	150 PSIG	Valve, Reg Temperature	022-08817-000	116003	1	45
21	S	150 PSIG	Str 1-1/2" NPTI	029-21798-000	742812	1	45
22	S	150 PSIG	Plug, Pipe 1"-11 NPTE	023-18084-000	732895	1	45
23	S	150 PSIG	Support 50 x 50 x 6 L=200	092-06572-000	835389	1	45
24	S	150 PSIG	U-Bolt 1/4" Dia X 2-1/4"	021-12985-000	1035928	1	45
25	S	150 PSIG	Nipple, Pipe 1" Sch 80 x 1-1/2" Lg	023-24421-000	733951	2	45
26	S	150 PSIG	Tee, Screw 1" X 1" X 1" NPTI	023-01959-000	731552	1	45
27	S	150 PSIG	Bushing, Pipe 1 - 11-1/2 NPTE	023-09029-000	732054	1	47
28	S	150 PSIG	Elbow, Screw 1" NPTI 90 Deg	023-01643-000	731549	1	47
29	S	150 PSIG	Screw, Hex Cap 1/4"-20 X 1-1/4" Gr 5 Zn	021-32004-010	730794	3	47
30	S	150 PSIG	Nut, Hex 1/4"-20 X Gr 5 Zn	021-32004-501	616899	3	47
31	S	150 PSIG	Washer, Plain 1/4" Zn, 0.625/0.065	021-32004-503	641533	3	47
32	S	150 PSIG	Washer, Helical Spring-Lock 1/4" Reg, Zn	021-32004-504	705356	3	47



LD17785

**FIGURE 45 - VSD INSTALLATION / COOLING DUAL SYSTEM**



LD17786

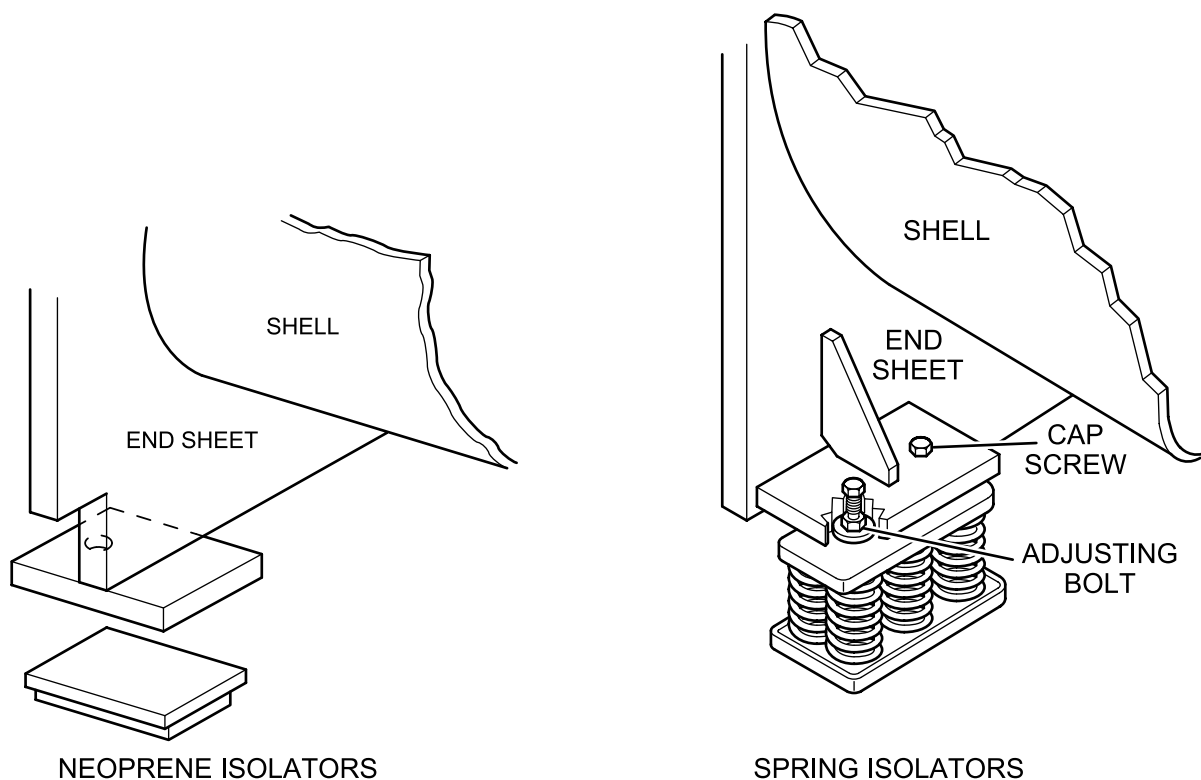
**FIGURE 46 - VSD INSTALLATION / COOLING DUAL SYSTEM**

**TABLE 43 - NEOPRENE PAD ISOLATORS**

OPERATING WEIGHT		DESCRIPTION	YORK PART NUMBER	SAP PART NUMBER	PAD SIZE
KILOGRAMS	POUNDS				
Up to 7,423	Up to 16,365	Isolator, Neoprene Pad	028-14462-000	741884	5.5" x 5.5" (14 x 14cm)
7,424 to 13,107	16,366 to 28,835	Isolator, Neoprene Pad	028-14459-000	741881	7" x 5.5" (23 x 14cm)
13,108 to 24,332	28,836 to 53,530	Isolator, Neoprene Pad	028-14460-000	741882	9" x 7" (23 x 18cm)
24,333 to 45,666	53,531 to 100,464	Isolator, Neoprene Pad	028-14461-000	741883	10" x 11" (25 x 28cm)

**TABLE 44 - SPRING ISOLATORS**

OPERATING WEIGHT		DESCRIPTION	YORK PART NUMBER	SAP PART NUMBER	QUANTITY (PER PKG)
KILOGRAMS	POUNDS				
3,187 to 4,535	7,020 to 9,999	Isolator, Spring	029-26589-000	1060553	4
					1
4,536 to 8,873	10,000 to 19,563	Isolator, Spring	029-23716-000	743152	4
					1
8,874 to 11,093	19,564 to 24,457	Isolator, Spring	029-21793-000	742810	4
					1
11,094 to 13,982	24,458 to 30,826	Isolator, Spring	029-21376-000	742777	4
					1
13,983 to 15,880	30,827 to 35,009	Isolator, Spring	029-20933-000	742757	4
					1



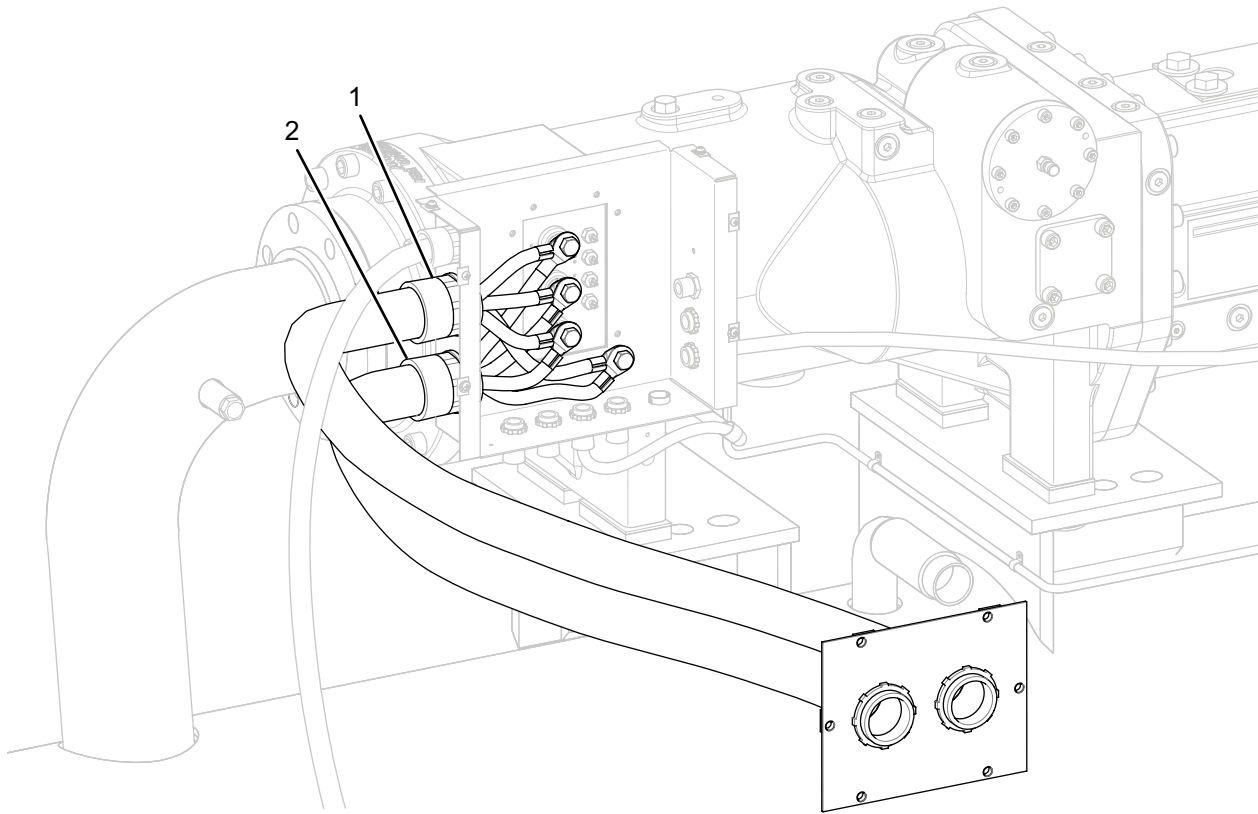
**FIGURE 47 - NEOPRENE PAD ISOLATORS / SPRING ISOLATORS**

**TABLE 45 - POWER WIRING SINGLE SYSTEM**

ITEM	DESCRIPTION	YORK PART NUMBER	SAP PART NUMBER	QUANTITY	FIGURE
<b>0 - 235 RATED LOAD AMPS (392-07173-000)</b>					
1	Harness Compr PW A 35	592-07172-101	1061145	1	48
	Conduit, 2"	025-30474-000	738506	3.47 ft.	
	Connector, 2" Straight Connector (Comp. JB End)	025-30475-000	919858	1	
	Connector, 2" Straight Connector (VSD Panel End)	025-30475-000	919858	1	
	Ring Tongue, 7/16" (Comp End)	025-34041-000	1115125	3	
	Ring Tongue, 1/2" (Comp End)	025-34049-000	1115130	1	
	Ring Tongue, 3/8" (VSD End)	025-34401-000	117661	3	
	Ring Tongue, 7/16" (VSD End)	025-34039-000	1115124	1	
2	Harness Compr PW B 35	592-07172-102	1061146	1	48
	Conduit, 2"	025-30474-000	738506	4.38 ft.	
	Connector, 2" Straight Connector (Comp. JB End)	025-30475-000	919858	1	
	Connector, 2" Straight Connector (VSD Panel End)	025-30475-000	919858	1	
	Ring Tongue, 7/16" (Comp End)	025-34041-000	1115125	3	
	Ring Tongue, 1/2" (Comp End)	025-34049-000	1115130	1	
	Ring Tongue, 3/8" (VSD End)	025-34401-000	117661	3	
	Ring Tongue, 7/16" (VSD End)	025-34039-000	1115124	1	
<b>236 - 286 RATED LOAD AMPS (392-07173-001)</b>					
1	Harness Compr Power A	592-07172-103	841629	1	48
	Conduit, 2"	025-30474-000	738506	3.47 ft.	
	Connector, 2" Straight Connector (Comp. JB End)	025-30475-000	919858	1	
	Connector, 2" Straight Connector (VSD Panel End)	025-30475-000	919858	1	
	Ring Tongue, 7/16" (Comp End)	025-25150-000	1115095	3	
	Ring Tongue, 1/2" (Comp End)	025-34051-000	1115131	1	
	Ring Tongue, 3/8" (VSD End)	025-37802-000	1115492	3	
	Ring Tongue, 7/16" (VSD End)	025-34041-000	1115125	1	
2	Harness Compr Power B	592-07172-104	841630	1	48
	Conduit, 2"	025-30474-000	738506	4.38 ft.	
	Connector, 2" Straight Connector (Comp. JB End)	025-30475-000	919858	1	
	Connector, 2" Straight Connector (VSD Panel End)	025-30475-000	919858	1	
	Ring Tongue, 7/16" (Comp End)	025-25150-000	1115095	3	
	Ring Tongue, 1/2" (Comp End)	025-34051-000	1115131	1	
	Ring Tongue, 3/8" (VSD End)	025-37802-000	1115492	3	
	Ring Tongue, 7/16" (VSD End)	025-34041-000	1115125	1	

**TABLE 45 (CONT'D) - POWER WIRING SINGLE SYSTEM**

ITEM	DESCRIPTION	YORK PART NUMBER	SAP PART NUMBER	QUANTITY	FIGURE
<b>287 - 366 RATED LOAD AMPS (392-07173-002)</b>					
1	Harness Compr PW A 35	592-07172-105	1061145	1	48
	Conduit, 2"	025-30474-000	738506	3.47 ft.	
	Connector, 2" Straight Connector (Comp. JB End)	025-30475-000	919858	1	
	Connector, 2" Straight Connector (VSD Panel End)	025-30475-000	919858	1	
	Ring Tongue, 7/16" (Comp End)	025-34044-000	1115128	3	
	Ring Tongue, 1/2" (Comp End)	025-34052-000	1115132	1	
	Ring Tongue, 3/8" (VSD End)	025-37803-000	1115493	3	
	Ring Tongue, 7/16" (VSD End)	025-34042-000	1115126	1	
2	Harness Compr PW B 35	592-07172-106	1061146	1	48
	Conduit, 2"	025-30474-000	738506	4.38 ft.	
	Connector, 2" Straight Connector (Comp. JB End)	025-30475-000	919858	1	
	Connector, 2" Straight Connector (VSD Panel End)	025-30475-000	919858	1	
	Ring Tongue, 7/16" (Comp End)	025-34044-000	1115128	3	
	Ring Tongue, 1/2" (Comp End)	025-34052-000	1115132	1	
	Ring Tongue, 3/8" (VSD End)	025-37803-000	1115493	3	
	Ring Tongue, 7/16" (VSD End)	025-34042-000	1115126	1	
<b>367 - 443 RATED LOAD AMPS (392-07173-003)</b>					
1	Harness Compr Power A	592-07172-107	841629	1	48
	Conduit, 2"	025-30474-000	738506	3.47 ft.	
	Connector, 2" Straight Connector (Comp. JB End)	025-30475-000	919858	1	
	Connector, 2" Straight Connector (VSD Panel End)	025-30475-000	919858	1	
	Ring Tongue, 7/16" (Comp End)	025-34045-000	1115129	3	
	Ring Tongue, 1/2" (Comp End)	025-34052-000	1115132	1	
	Ring Tongue, 3/8" (VSD End)	025-34459-000	1115139	3	
	Ring Tongue, 7/16" (VSD End)	025-34042-000	1115126	1	
2	Harness Compr Power B	592-07172-108	841630	1	48
	Conduit, 2"	025-30474-000	738506	4.38 ft.	
	Connector, 2" Straight Connector (Comp. JB End)	025-30475-000	919858	1	
	Connector, 2" Straight Connector (VSD Panel End)	025-30475-000	919858	1	
	Ring Tongue, 7/16" (Comp End)	025-34045-000	1115129	3	
	Ring Tongue, 1/2" (Comp End)	025-34052-000	1115132	1	
	Ring Tongue, 3/8" (VSD End)	025-34459-000	1115139	3	
	Ring Tongue, 7/16" (VSD End)	025-34042-000	1115126	1	



LD18954

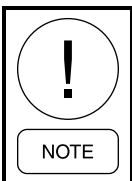
**FIGURE 48 - POWER WIRING SINGLE SYSTEMS**

**TABLE 46 - POWER WIRING DUAL SYSTEMS**

ITEM	DESCRIPTION	YORK PART NUMBER	SAP PART NUMBER	QUANTITY	FIGURE
<b>0 - 235 RATED LOAD AMPS (392-00681-000)</b>					
<b>1</b>	HARNESS COMPRESSOR 1A	592-00580-401	716626	1	49
	Conduit, 2"	025-30474-000	738506	2.75 ft.	
	Connector, 2" Straight Connector	025-30475-000	919858	1	
	Connector, 2" Straight Connector	025-30475-000	919858	1	
	Ring Tongue, 7/16" (Comp End)	025-34041-000	1115125	3	
	Ring Tongue, 1/2" (Comp End)	025-34049-000	1115130	1	
	Ring Tongue, 3/8" (VSD End)	025-34401-000	117661	3	
	Ring Tongue, 7/16" (VSD End)	025-34039-000	1115124	1	
<b>2</b>	HARNESS COMPRESSOR 1B	592-00580-402	716627	1	49
	Conduit, 2"	025-30474-000	738506	2.75 ft.	
	Connector, 2" Straight Connector	025-30475-000	919858	1	
	Connector, 2" Straight Connector	025-30475-000	919858	1	
	Ring Tongue, 7/16" (Comp End)	025-34041-000	1115125	3	
	Ring Tongue, 1/2" (Comp End)	025-34049-000	1115130	1	
	Ring Tongue, 3/8" (VSD End)	025-34401-000	117661	3	
	Ring Tongue, 7/16" (VSD End)	025-34039-000	1115124	1	
<b>3</b>	HARNESS COMPRESSOR 2A	592-00580-403	716628	1	49
	Conduit, 2"	025-30474-000	738506	6.67 ft.	
	Connector, 2" Straight Connector	025-30475-000	919858	1	
	Connector, 2" Straight Connector	025-30475-000	919858	1	
	Ring Tongue, 7/16" (Comp End)	025-34041-000	1115125	3	
	Ring Tongue, 1/2" (Comp End)	025-34049-000	1115130	1	
	Ring Tongue, 3/8" (VSD End)	025-34401-000	117661	3	
	Ring Tongue, 7/16" (VSD End)	025-34039-000	1115124	1	
<b>4</b>	HARNESS COMPRESSOR 2B	592-00580-404	716629	1	49
	Conduit, 2"	025-30474-000	738506	6.67 ft.	
	Connector, 2" Straight Connector	025-30475-000	919858	1	
	Connector, 2" Straight Connector	025-30475-000	919858	1	
	Ring Tongue, 7/16" (Comp End)	025-34041-000	1115125	3	
	Ring Tongue, 1/2" (Comp End)	025-34049-000	1115130	1	
	Ring Tongue, 3/8" (VSD End)	025-34401-000	117661	3	
	Ring Tongue, 7/16" (VSD End)	025-34039-000	1115124	1	
<b>235 - 286 RATED LOAD AMPS (392-00681-001)</b>					
<b>1</b>	HARNESS COMPRESSOR 1A	592-00580-201	683093	1	49
	Conduit, 2"	025-30474-000	738506	2.75 ft.	
	Connector, 2" Straight Connector	025-30475-000	919858	1	
	Connector, 2" Straight Connector	025-30475-000	919858	1	
	Ring Tongue, 7/16" (Comp End)	025-25150-000	1115095	3	
	Ring Tongue, 1/2" (Comp End)	025-34051-000	1115131	1	
	Ring Tongue, 3/8" (VSD End)	025-37802-000	1115492	3	
	Ring Tongue, 7/16" (VSD End)	025-34041-000	1115125	1	

**TABLE 46 (CONT'D) - POWER WIRING DUAL SYSTEMS**

ITEM	DESCRIPTION	YORK PART NUMBER	SAP PART NUMBER	QUANTITY	FIGURE
2	HARNESS COMPRESSOR 1B	592-00580-202	683094	1	49
	Conduit, 2"	025-30474-000	738506	2.75 ft.	
	Connector, 2" Straight Connector	025-30475-000	919858	1	
	Connector, 2" Straight Connector	025-30475-000	919858	1	
	Ring Tongue, 7/16" (Comp End)	025-25150-000	1115095	3	
	Ring Tongue, 1/2" (Comp End)	025-34051-000	1115131	1	
	Ring Tongue, 3/8" (VSD End)	025-37802-000	1115492	3	
Ring Tongue, 7/16" (VSD End)	025-34041-000	1115125	1		
3	HARNESS COMPRESSOR 2A	592-00580-203	683095	1	49
	Conduit, 2"	025-30474-000	738506	6.67 ft.	
	Connector, 2" Straight Connector	025-30475-000	919858	1	
	Connector, 2" Straight Connector	025-30475-000	919858	1	
	Ring Tongue, 7/16" (Comp End)	025-25150-000	1115095	3	
	Ring Tongue, 1/2" (Comp End)	025-34051-000	1115131	1	
	Ring Tongue, 3/8" (VSD End)	025-37802-000	1115492	3	
Ring Tongue, 7/16" (VSD End)	025-34041-000	1115125	1		
4	HARNESS COMPRESSOR 2B	592-00580-204	683096	1	49
	Conduit, 2"	025-30474-000	738506	6.67 ft.	
	Connector, 2" Straight Connector	025-30475-000	919858	1	
	Connector, 2" Straight Connector	025-30475-000	919858	1	
	Ring Tongue, 7/16" (Comp End)	025-25150-000	1115095	3	
	Ring Tongue, 1/2" (Comp End)	025-34051-000	1115131	1	
	Ring Tongue, 3/8" (VSD End)	025-37802-000	1115492	3	
Ring Tongue, 7/16" (VSD End)	025-34041-000	1115125	1		
<b>286 - 366 RATED LOAD AMPS (392-00681-002)</b>					
1	HARNESS COMPRESSOR 1A	592-00580-411	716618	1	49
	Conduit, 2"	025-30474-000	738506	3 ft.	
	Connector, 2" Straight Connector	025-30475-000	919858	1	
	Connector, 2" Straight Connector	025-30475-000	919858	1	
	Ring Tongue, 7/16" (Comp End)	025-34044-000	1115128	3	
	Ring Tongue, 1/2" (Comp End)	025-34052-000	1115132	1	
	Ring Tongue, 3/8" (VSD End)	025-37803-000	1115493	3	
Ring Tongue, 7/16" (VSD End)	025-34042-000	1115126	1		
2	HARNESS COMPRESSOR 1B	592-00580-412	716620	1	49
	Conduit, 2"	025-30474-000	738506	2.75 ft.	
	Connector, 2" Straight Connector	025-30475-000	919858	1	
	Connector, 2" Straight Connector	025-30475-000	919858	1	
	Ring Tongue, 7/16" (Comp End)	025-34044-000	1115128	3	
	Ring Tongue, 1/2" (Comp End)	025-34052-000	1115132	1	
	Ring Tongue, 3/8" (VSD End)	025-37803-000	1115493	3	
Ring Tongue, 7/16" (VSD End)	025-34042-000	1115126	1		



***When replacing any Power Wiring, refer to the Compressor Data Plate to identify the Rated Load Amps (LRA).***

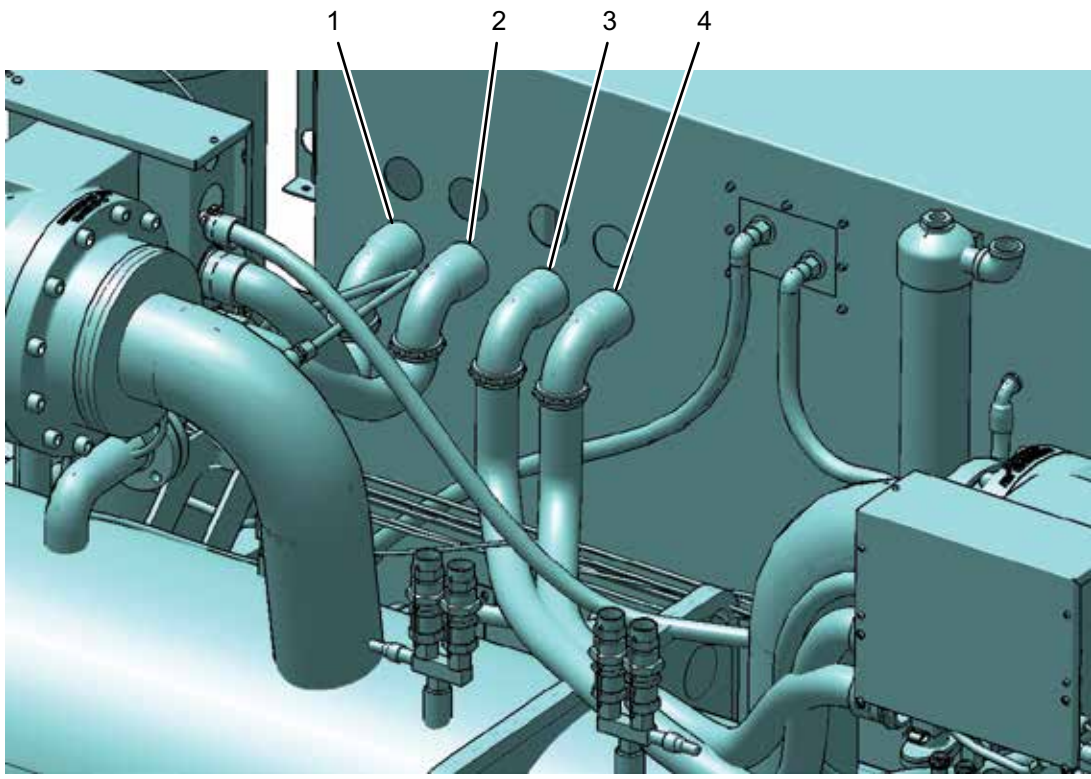
**TABLE 46 (CONT'D) - POWER WIRING DUAL SYSTEMS**

ITEM	DESCRIPTION	YORK PART NUMBER	SAP PART NUMBER	QUANTITY	FIGURE
<b>3</b>	HARNESS COMPRESSOR 2A	592-00580-413	716621	1	49
	Conduit, 2"	025-30474-000	738506	6.67 ft.	
	Connector, 2" Straight Connector	025-30475-000	919858	1	
	Connector, 2" Straight Connector	025-30475-000	919858	1	
	Ring Tongue, 7/16" (Comp End)	025-34044-000	1115128	3	
	Ring Tongue, 1/2" (Comp End)	025-34052-000	1115132	1	
	Ring Tongue, 3/8" (VSD End)	025-37803-000	1115493	3	
<b>4</b>	HARNESS COMPRESSOR 2B	592-00580-414	716622	1	49
	Conduit, 2"	025-30474-000	738506	6.67 ft.	
	Connector, 2" Straight Connector	025-30475-000	919858	1	
	Connector, 2" Straight Connector	025-30475-000	919858	1	
	Ring Tongue, 7/16" (Comp End)	025-34044-000	1115128	3	
	Ring Tongue, 1/2" (Comp End)	025-34052-000	1115132	1	
	Ring Tongue, 3/8" (VSD End)	025-37803-000	1115493	3	
<b>367 - 443 RATED LOAD AMPS (392-00681-003)</b>					
<b>1</b>	HARNESS COMPR PW 1A 95	592-00580-405	886335	1	49
	Conduit, 2"	025-30474-000	738506	2.75 ft.	
	Connector, 2" Straight Connector	025-30475-000	919858	1	
	Connector, 2" Straight Connector	025-30475-000	919858	1	
	Ring Tongue, 7/16" (Comp End)	025-34045-000	1115129	3	
	Ring Tongue, 1/2" (Comp End)	025-34052-000	1115132	1	
	Ring Tongue, 3/8" (VSD End)	025-34459-000	1115139	3	
<b>2</b>	HARNESS COMPR PW 1B 95	592-00580-406	886336	1	49
	Conduit, 2"	025-30474-000	738506	2.75 ft.	
	Connector, 2" Straight Connector	025-30475-000	919858	1	
	Connector, 2" Straight Connector	025-30475-000	919858	1	
	Ring Tongue, 7/16" (Comp End)	025-34045-000	1115129	3	
	Ring Tongue, 1/2" (Comp End)	025-34052-000	1115132	1	
	Ring Tongue, 3/8" (VSD End)	025-34459-000	1115139	3	
<b>3</b>	HARNESS COMPR PW 2A 95	592-00580-409	1061143	1	49
	Conduit, 2"	025-30474-000	738506	6.67 ft.	
	Connector, 2" Straight Connector	025-30475-000	919858	1	
	Connector, 2" Straight Connector	025-30475-000	919858	1	
	Ring Tongue, 7/16" (Comp End)	025-34045-000	1115129	3	
	Ring Tongue, 1/2" (Comp End)	025-34052-000	1115132	1	
	Ring Tongue, 3/8" (VSD End)	025-34459-000	1115139	3	
	Ring Tongue, 7/16" (VSD End)	025-34042-000	1115126	1	

**TABLE 46 (CONT'D) - POWER WIRING DUAL SYSTEMS**

ITEM	DESCRIPTION	YORK PART NUMBER	SAP PART NUMBER	QUANTITY	FIGURE
4	HARNESS COMPR PW 2B 95	592-00580-410	1061144	1	49
	Conduit, 2"	025-30474-000	738506	6.67 ft.	
	Connector, 2" Straight Connector	025-30475-000	919858	1	
	Connector, 2" Straight Connector	025-30475-000	919858	1	
	Ring Tongue, 7/16" (Comp End)	025-34045-000	1115129	3	
	Ring Tongue, 1/2" (Comp End)	025-34052-000	1115132	1	
	Ring Tongue, 3/8" (VSD End)	025-34459-000	1115139	3	
	Ring Tongue, 7/16" (VSD End)	025-34042-000	1115126	1	

**NOTE:** Items with an \* are NOT represented.

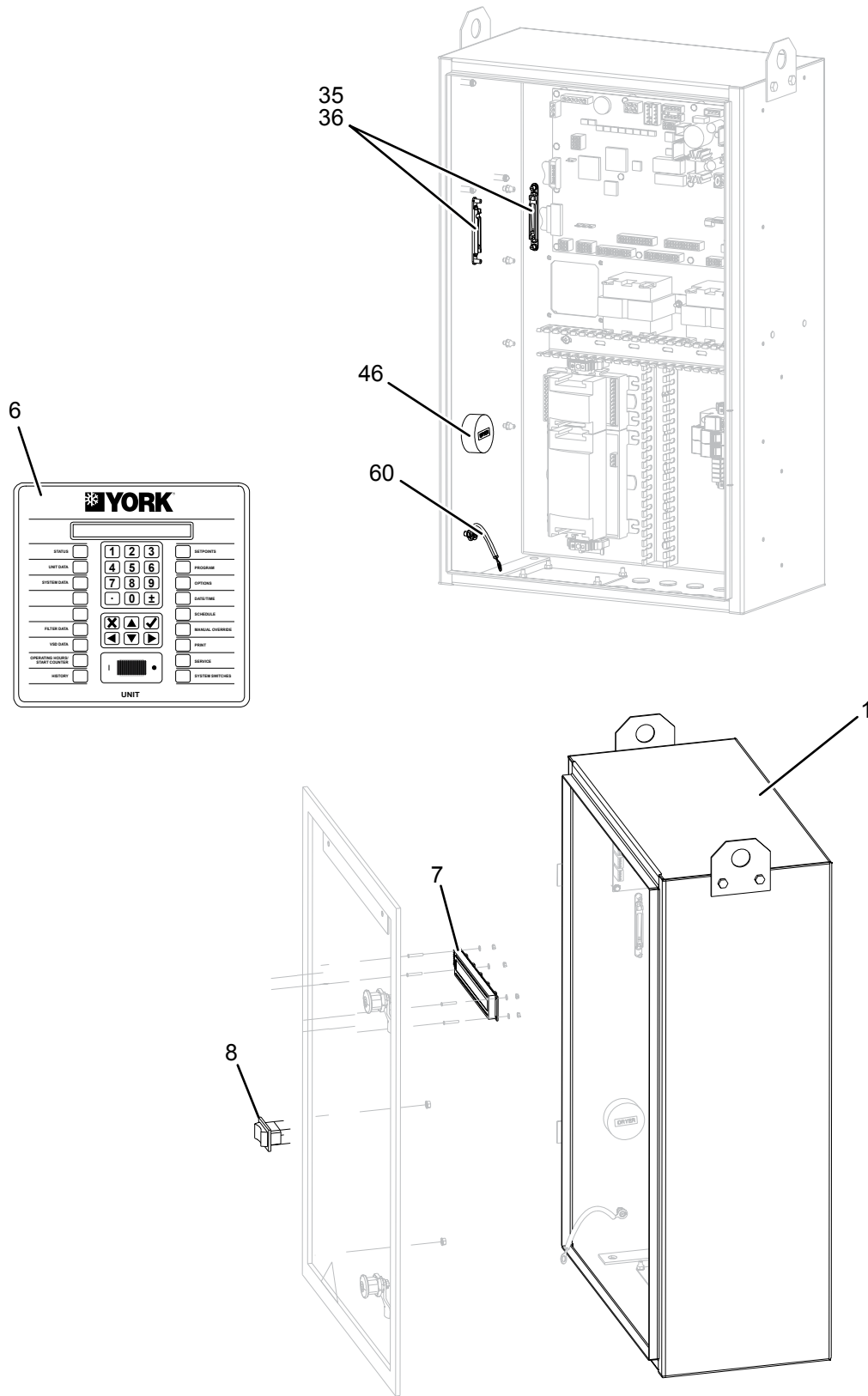


LD16363

**FIGURE 49 - POWER WIRING DUAL SYSTEMS**

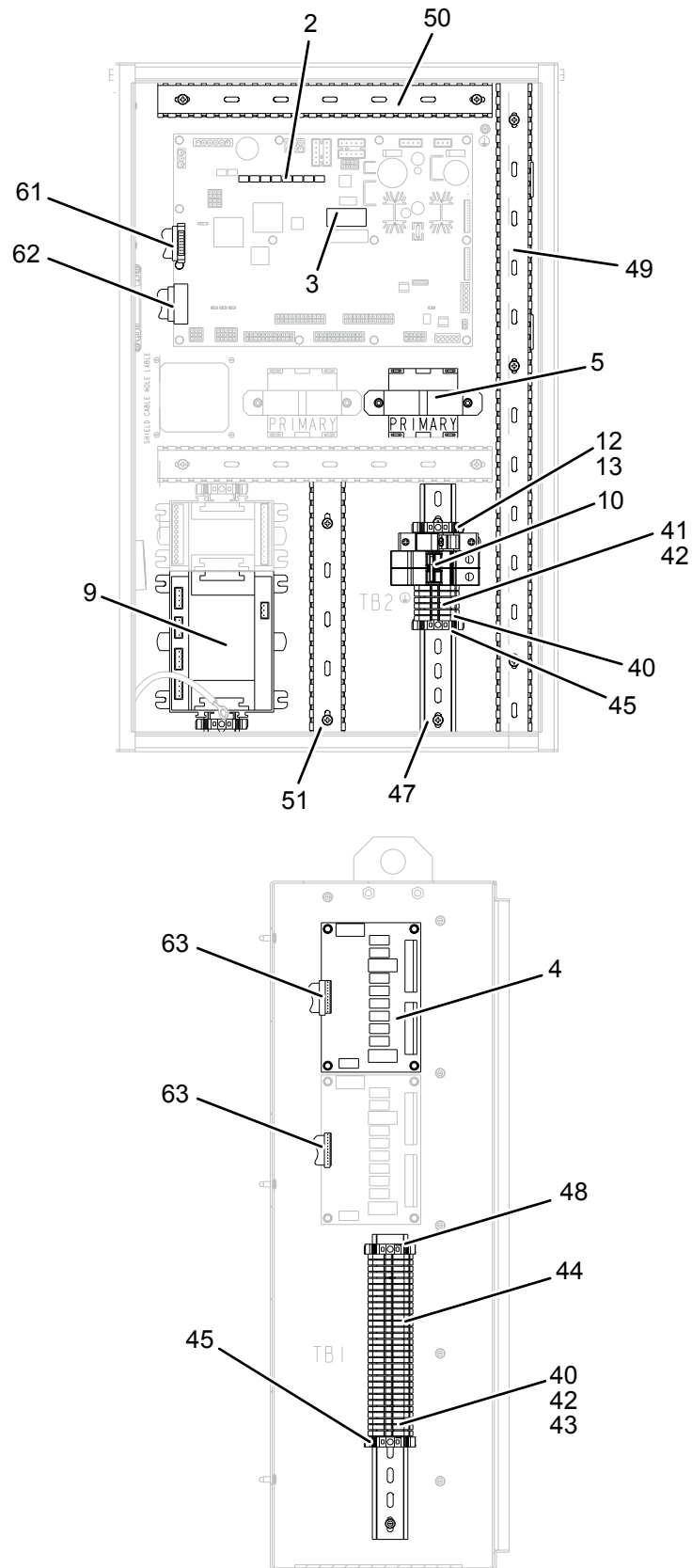
**TABLE 47 - CONTROL PANEL**

ITEM	DESCRIPTION	YORK PART NUMBER	SAP PART NUMBER	QUANTITY	FIGURE
1	Enclosure, Control Panel	392-07170-000	720747	1	50
2	Control, Control Board	031-02478-102	743908	1	51
3	Eprom, Control Board	031-02476-040	835719	1	51
4	Control, Relay Board	031-02479-001	340702	2	51
5	Transformer Class 2	025-27911-000	1312	2	51
6	Switch, Keypad	024-34930-000	247624	1	50
7	Display, LCD	031-02508-000	743925	1	50
8	Switch, DPST, Two Position	024-34951-000	736122	1	50
	Switch, Rocker 250.0v 10.00a (IP33)	024-38151-000	1048545	1	
9	Stepper Motor (ETS 250) EEV	031-02742-000	744082	1	51
10	Circuit Breaker 10.0a 250v 2pole	024-33863-573	916997	1	51
12	Fuseholder-Modular, 1-Pole	025-39951-000	359985	1	51
13	Fuse Type=Class CC 2.00a 600v None	025-39323-000	1128288	1	51
35	Base, Flat Cable Mount	025-42113-000	644640	2	50
36	Base, Flat Cable Mount	025-42114-000	644641	2	50
40	Terminal Block	025-42501-003	549657	33	51
41	Terminal Block	025-42571-004	556217	3	51
42	End Plate	025-42501-008	549659	2	51
43	Terminal	025-42501-013	572070	2	51
44	Wired Bridge	025-42501-012	549661	1	51
45	End Stop	025-42501-040	507177	6	51
46	Inhibitor, Corrosion	026-37706-000	740984	1	50
47	Din Rail L=254mm W=35mm D=7.50mm	071-05906-100	839867	2	51
48	Din Rail L=304mm W=35mm D=7.50mm	071-05906-120	839871	1	51
49	Wiring Duct 1	071-06008-104	1086171	1	51
50	Wiring Duct 2	071-06008-105	1086172	2	51
51	Wiring Duct 3	071-06008-106	1086173	1	51
60	Strap Grounding	525-32508-001	806677	1	50
61	Cable Ribbon, Display	571-06008-201	719671	1	51
62	Cable Ribbon, Keypad	571-06008-202	719672	1	51
63	Cable Ribbon, Relay	571-04178-264	807009	2	51
64	Harness, Main Wiring	571-06008-301	719673	1	*
78	Key-Twist Latch	029-23454-000	119872	1	*
80	Nameplate, Control Panel	029-26818-000	1086070	1	*



LD18906

FIGURE 50 - CONTROL PANEL

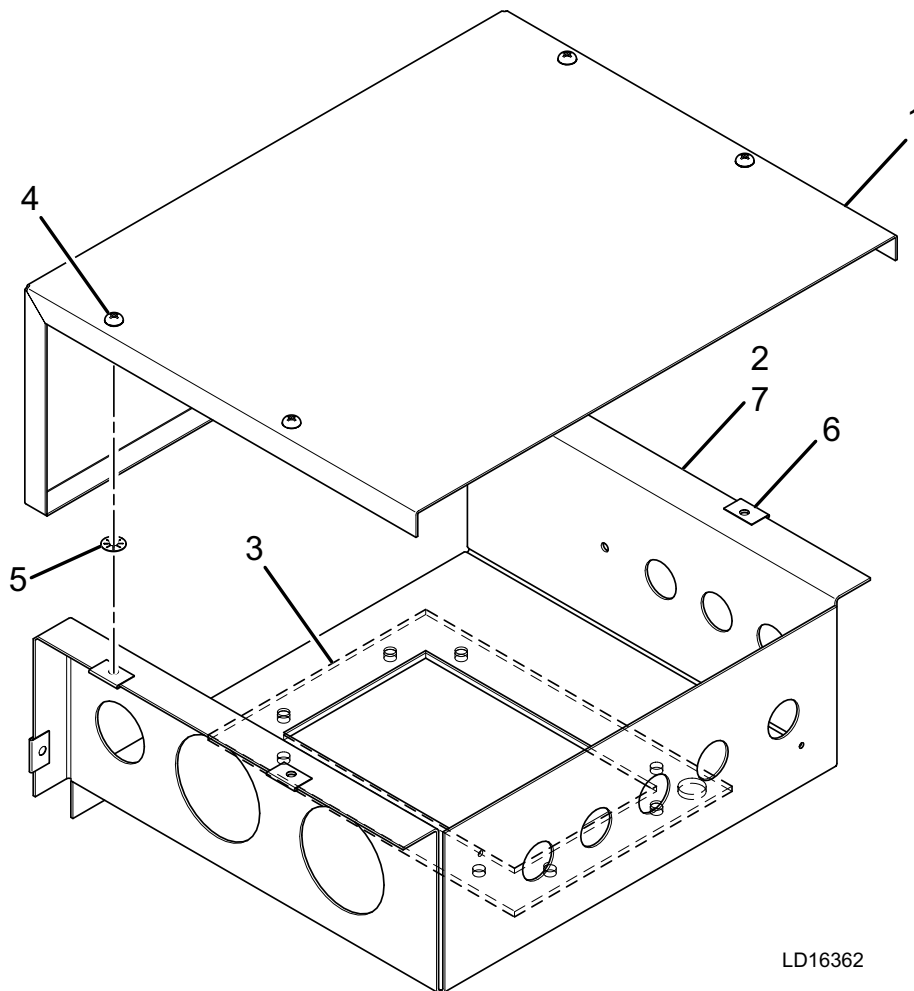


**FIGURE 51 - CONTROL PANEL**

LD18907

**TABLE 48 - JUNCTION BOX**

ITEM	DESCRIPTION	YORK PART NUMBER	SAP PART NUMBER	QUANTITY	FIGURE
-	JUNCTION BOX ASSY YVWA	392-00905-000	804762	2	-
1	Cover, Junction Box Compr	092-00905-100	716612	4	52
2	Wrapped, Junction Box	092-00905-200	716613	4	52
3	Gasket, Compr Junction Box	028-15268-000	561654	4	52
4	Captive Screw, Quick Opening	021-19405-000	730493	24	52
5	Retainer, Captive Screw	021-19406-000	730494	24	52
6	Receptacle, Clip-On	021-19407-000	730495	24	52
7	Strip, 1/8" X 3/4" X Roll	028-11995-000	741671	14	52



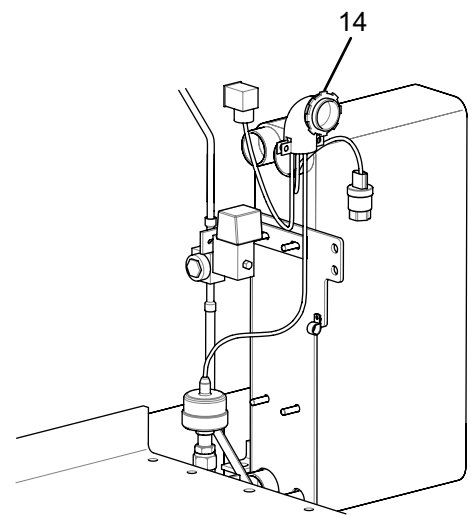
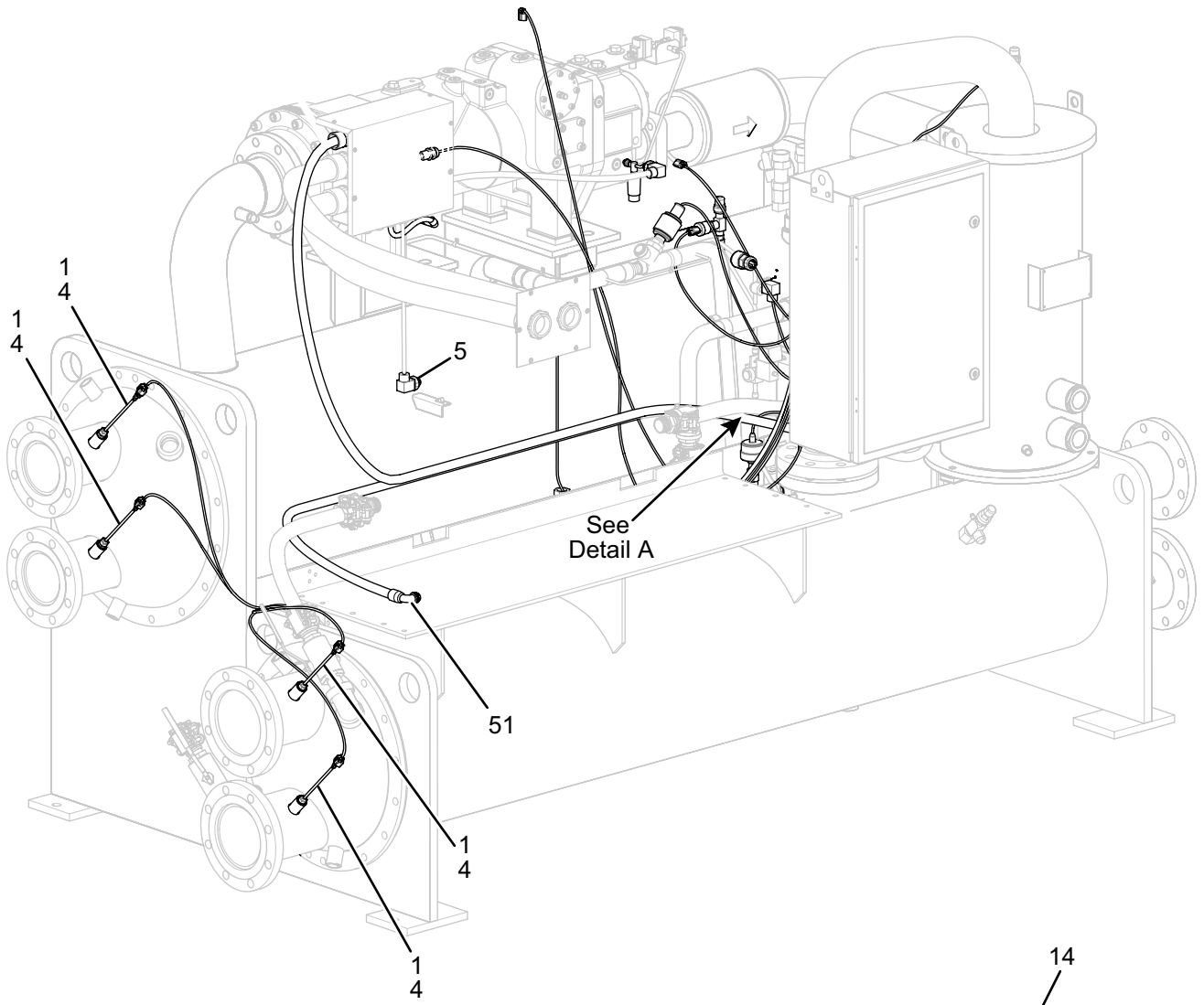
LD16362

**FIGURE 52 - JUNCTION BOX**

**TABLE 49 - CONTROL WIRING SINGLE SYSTEM (COMMON)**

ITEM	DESCRIPTION	PART NUMBER	SAP	QUANTITY	FIGURE
1	Sensor, Temperature 3000 Ohms	025-29964-000	401192	4	53
4	Well Thermo	026-32328-000	1467	4	53
5	Connector, Male Din 43850	025-40232-000	144690	1	53
14	Gasket Control Panel System	028-14485-000	144453	1	53
18	Insulation Electrical	025-32982-000	738790	1	*
30	Compr Elec Assy	392-07171-001	842026	1	*
50	Shield Cable Assy	392-07171-002	842027	1	*
51	HARNESS, CP-VSD LINK	592-07172-064	842047	1	53
	Conduit, 1/2"	025-30473-000	618151	8.36 ft.	
	Connector, 1/2" Control Panel	025-31310-000	556337	1	
	Connector, 1/2" VSD	025-31316-000	435091	1	
	Wire, 4 Cond. W/Foil Shield Wire	025-32940-000	738777	144 in.	
	Contact Receptacle 24-20 AWG.	025-35970-000	739256	5	
	Plug, Hsg. Closed End 5 Circuit	025-39990-000	739740	1	

\* Item not illustrated



**Detail A**

LD17764

**FIGURE 53 - CONTROL WIRING SINGLE SYSTEM (COMMON)**

**TABLE 50 - CONTROL WIRING SINGLE SYSTEM (HARNESS)**

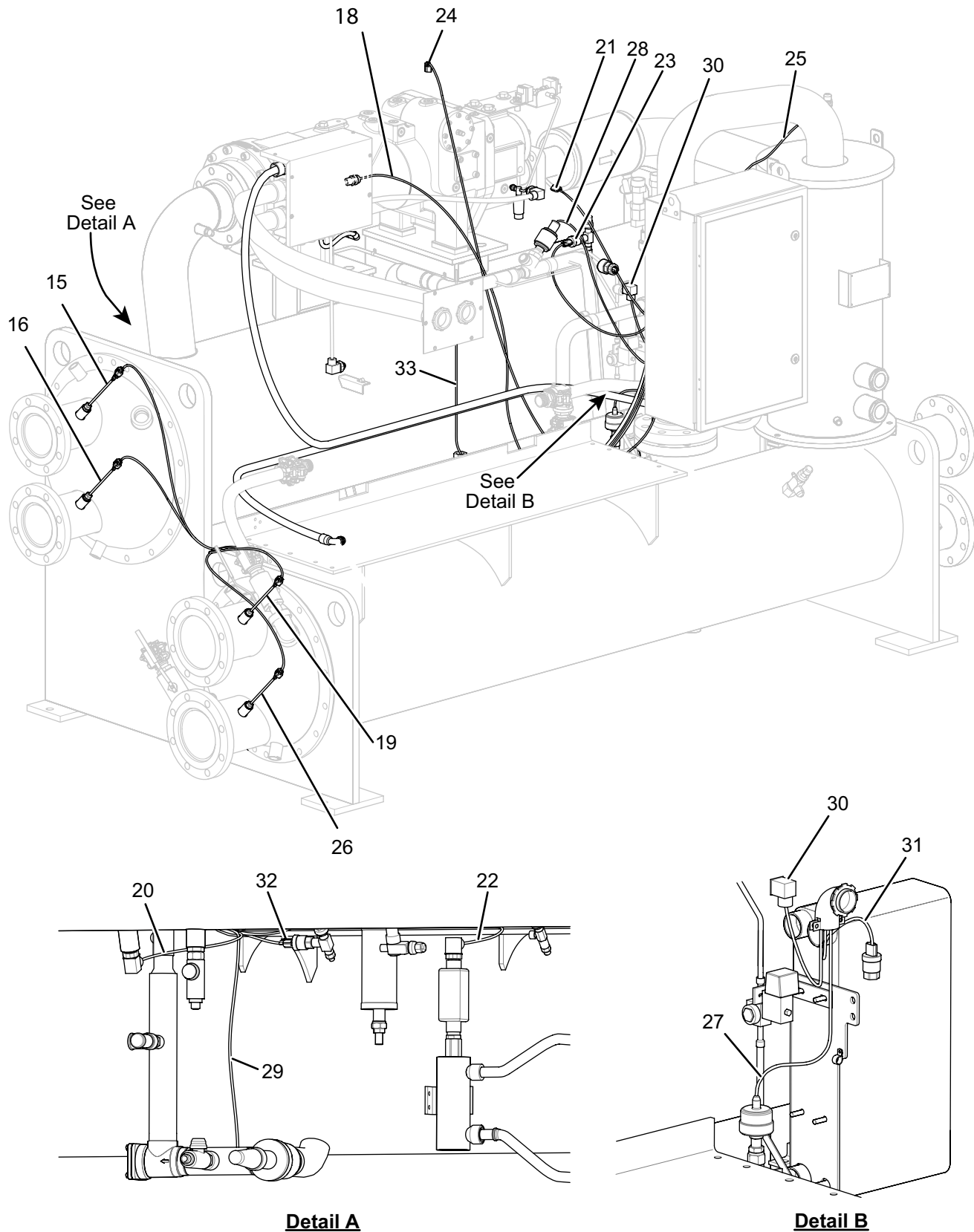
ITEM	DESCRIPTION	PART NUMBER	SAP	QUANTITY	FIGURE
1	Plate Cover, Control Panel	025-39475-104	739632	1	*
2	Connector, Ca Str 1-1/2" Ins	025-39622-000	739688	1	*
5	Strap, Cable	025-42952-000	740184	10	*
6	Housing, Connector Plug Mini 9 Ckt Nat	025-28383-000	737917	1	*
7	Housing, Connector Plug Mini 10 Ckt	025-39839-000	842024	1	*
8	Housing, Connector Plug Mini 24 Ckt Wht	025-34533-000	739099	3	*
15	HARNESS LEAVING CHILLED TEMP	592-07172-001	842028	1	54
	2 Cond. Shield Wire	025-30463-002	738502	150 in.	
	Plug Connector	025-28951-000	62724	1	
	Tubing Heat Shrinkable	025-44708-001	842819	0.042 ft.	
	Mini- Univ Socket	025-28386-000	737925	3	
	Collar	025-28950-000	65212	2	
	Contact Recptacle	025-28952-000	260	2	
16	HARNESS ENTERING CHILLED TEMP	592-07172-002	842029	1	54
	2 Cond. Shield Wire	025-30463-002	738502	143 in.	
	Plug Connector	025-28951-000	62724	1	
	Tubing Heat Shrinkable	025-44708-001	842819	0.042 ft.	
	Mini- Univ Socket	025-28386-000	737925	3	
	Collar	025-28950-000	65212	2	
	Contact Recptacle	025-28952-000	260	2	
18	HARNESS COMPR MOTOR TEMP	592-07172-004	842030	1	54
	4 Cond. Shield Wire	025-32940-000	738777	104 in.	
	Mini- Univ Socket	025-28386-000	737925	5	
	1/4 Push-On	025-06874-000	117021	4	
19	HARNESS LEAVING COND TEMP	592-07172-006	842031	1	54
	2 Cond. Shield Wire	025-30463-002	738502	148 in.	
	Plug Connector	025-28951-000	62724	1	
	Tubing Heat Shrinkable	025-44708-001	842819	0.042 ft.	
	Mini- Univ Socket	025-28386-000	737925	3	
	Collar (Leaving Cond. Temp.)	025-28950-000	65212	2	
	Contact Recptacle (Leaving Cond. Temp.)	025-28952-000	260	2	
20	HARNESS EVAP TEMP	592-07172-007	842032	1	54
	2 Cond. Shield Wire	025-30463-002	738502	64 in.	
	Plug Connector	025-28951-000	62724	1	
	Tubing Heat Shrinkable	025-44708-001	842819	0.042 ft.	
	Mini- Univ Socket	025-28386-000	737925	3	
	Collar (Evap. Temp. )	025-28950-000	65212	2	
	Contact Recptacle (Evap. Temp.)	025-28952-000	260	2	
21	HARNESS DISCHARGE TEMP	592-07172-008	842033	1	54
	2 Cond. Shield Wire	025-30463-002	738502	40 in.	
	Plug Connector	025-28951-000	62724	1	
	Tubing Heat Shrinkable	025-44708-001	842819	0.042 ft.	
	Mini- Univ Socket	025-28386-000	737925	3	
	Collar (Disch. Temp. )	025-28950-000	65212	2	
	Contact Recptacle (Disch. Temp.)	025-28952-000	260	2	

**TABLE 50 (CONT'D) - CONTROL WIRING SINGLE SYSTEM (HARNESS)**

ITEM	DESCRIPTION	PART NUMBER	SAP	QUANTITY	FIGURE
<b>22</b>	HARNESS COND LEVEL	592-07172-009	842034	1	54
	3 Cond. Shield Wire	025-30463-003	738503	77 in.	
	Din 43650 Connector	025-37805-000	144713	1	
	Mini- Univ Socket	025-28386-000	737925	4	
<b>23</b>	HARNESS EVAP PRESS	592-07172-010	842035	1	54
	3 Cond. Shield Wire	025-30463-003	738503	46 in.	
	Plug Connector	025-28954-000	62725	1	
	Tubing Heat Shrinkable	025-44708-001	842819	0.042 ft.	
	Mini- Univ Socket	025-28386-000	737925	4	
	Collar (Evap Press)	025-28950-000	65212	3	
	Contact Recptacle (Evap Press)	025-28952-000	260	3	
<b>24</b>	HARNESS OIL PRESS	592-07172-011	842036	1	54
	3 Cond. Shield Wire	025-30463-003	738503	102 in.	
	Plug Connector	025-28954-000	62725	1	
	Tubing Heat Shrinkable	025-44708-001	842819	0.042 ft.	
	Mini- Univ Socket	025-28386-000	737925	4	
	Collar (Oil Press)	025-28950-000	65212	3	
	Contact Recptacle (Oil Press)	025-28952-000	260	3	
<b>25</b>	HARNESS DISCHARGE PRESS	592-07172-012	842037	1	54
	3 Cond. Shield Wire	025-30463-003	738503	51 in.	
	Plug Connector	025-28954-000	62725	1	
	Tubing Heat Shrinkable	025-44708-001	842819	0.042 ft.	
	Mini- Univ Socket	025-28386-000	737925	4	
	Collar (Disch. Press)	025-28950-000	65212	3	
	Contact Recptacle (Disch Press)	025-28952-000	260	3	
<b>26</b>	HARNESS ENTERING COND TEMP	592-07172-013	842038	1	54
	3 Cond. Shield Wire	025-30463-003	738503	151 in.	
	Plug Connector	025-28954-000	62725	1	
	Tubing Heat Shrinkable	025-44708-001	842819	0.042 ft.	
	Mini- Univ Socket	025-28386-000	737925	3	
	Collar (Entering Cond. Temp)	025-28950-000	65212	2	
	Contact Recptacle (Entering Cond. Temp)	025-28952-000	260	2	
<b>27</b>	HARNESS ECO FEED VALVE	592-07172-022	842039	1	54
	4 Cond. Shield Cable	025-32940-000	738777	42 in.	
	M12 Connector 1838274-2 TE	025-44341-279	859025	1	
<b>28</b>	HARNESS COND DRAIN VALVE	592-07172-023	842040	1	54
	4 Cond. Shield Cable	025-32940-000	738777	54.1 in.	
	M12 Connector 1838274-2 TE	025-44341-279	859025	1	
<b>29</b>	HARNESS SUBCOOLED TEMP	592-07172-027	842041	1	54
	2 Cond. Shield Wire	025-30463-002	738502	66 in.	
	Plug Connector	025-28951-000	62724	1	
	Tubing Heat Shrinkable	025-44708-001	842819	0.042 ft.	
	Mini- Univ Socket	025-28386-000	737925	3	
	Collar (Sub Liquid Temp)	025-28950-000	65212	2	
	Contact Recptacle (Sub Liquid Temp)	025-28952-000	260	2	

**TABLE 50 (CONT'D) - CONTROL WIRING SINGLE SYSTEM (HARNESS)**

ITEM	DESCRIPTION	PART NUMBER	SAP	QUANTITY	FIGURE
<b>30</b>	HARNESS ECO TEMP	592-07172-028	842042	1	54
	2 Cond. Shield Wire	025-30463-002	738502	28 in.	
	Plug Connector	025-28951-000	62724	1	
	Tubing Heat Shrinkable	025-44708-001	842819	0.042 ft.	
	Mini- Univ Socket	025-28386-000	737925	3	
	Collar (Eco. Temp)	025-28950-000	65212	2	
	Contact Recptacle (Eco. Temp)	025-28952-000	260	2	
<b>31</b>	HARNESS ECO PRESS	592-07172-031	842043	1	54
	3 Cond. Shield Wire	028-30463-003	-	37 in.	
	Plug Connector	025-28954-000	62725	1	
	Tubing Heat Shrinkable	025-44708-001	842819	0.042 ft.	
	Mini- Univ Socket	025-28386-000	737925	4	
	Collar (Eco. Press)	025-28950-000	65212	3	
	Contact Recptacle (Eco. Press)	025-28952-000	260	3	
<b>32</b>	HARNESS COND PRESS	592-07172-032	842044	1	54
	3 Cond. Shield Wire	028-30463-003	-	52 in.	
	Plug Connector	025-28954-000	62725	1	
	Tubing Heat Shrinkable	025-44708-001	842819	0.042 ft.	
	Mini- Univ Socket	025-28386-000	737925	4	
	Collar (Cond. Press)	025-28950-000	65212	3	
	Contact Recptacle (Cond. Press)	025-28952-000	260	3	
<b>33</b>	HARNESS EDUCTOR TEMP	592-07172-050	842045	1	54
	2 Cond. Shield Wire	025-30463-002	738502	76 in.	
	Plug Connector	025-28951-000	62724	1	
	Tubing Heat Shrinkable	025-44708-001	842819	0.042 ft.	
	Mini- Univ Socket	025-28386-000	737925	3	
	Collar (Educator Temp)	025-28950-000	65212	2	
	Contact Recptacle (Eductor Temp)	025-28952-000	260	2	



LD17764A

**FIGURE 54 - SYSTEM WIRING SINGLE SYSTEMS (HARNESS)**

**TABLE 51 - CONTROL WIRING DUAL SYSTEM (COMMON)**

<b>ITEM</b>	<b>DESCRIPTION</b>	<b>YORK PART NUMBER</b>	<b>SAP PART NUMBER</b>	<b>QUANTITY</b>	<b>FIGURE</b>
<b>1</b>	Sensor Temp 3000 Ohms	025-29964-000	401192	4	55
<b>3</b>	Strap Cable T&B L4-18-9-M	025-18167-000	588760	30	*
<b>4</b>	Well Thermo	026-32328-000	1467	4	55
<b>5</b>	Connector, Male Din 43850	025-40232-000	144690	2	*
<b>14</b>	Gasket Sensor Harness	028-15272-000	556341	1	56

**TABLE 52 - CONTROL WIRING DUAL SYSTEM (HARNESS)**

ITEM	DESCRIPTION	YORK PART NUMBER	SAP PART NUMBER	QUANTITY	FIGURE
1	COMM PARTS COMPR SUB ASSY	-	-	-	-
	Clamp X-Tra Hvy 7/8 Od 1	023-18276-000	64630	1	*
	Plug, Dome Snapin, Black	028-15328-000	394351	5	*
2	HARNESS SYS2 COMP. HEATER	592-00580-211	683103	-	56
	Heater	025-32938-000	1371	1	
	Connector, 3/8" Straight	025-31309-000	117547	1	
	Terminal, Pin #20-14Awg	025-20919-000	737624	2	
6	GROUND WIRE TRIDENT	592-00580-230	686510	1	56
	Wire, #14 Awg Grn/Yel	025-34027-000	738983	.83 ft.	
	Ring Tongue, 1/4" 14-16Awg	025-21101-000	737633	1	
	Terminal, Pin #20 20-14Awg	025-20919-000	737624	1	
7	HARNESS COMPRESSOR 2C	592-00580-209	683101	-	55
	Conduit, 1'	025-31321-000	695869	3.92 ft.	
	Connector, 1" Straight	025-31312-000	738592	2	
	Plug, 9 Pin (Panel End)	025-21192-000	737649	1	
	Plug, 12 Pin (Comp End)	025-20787-000	737566	1	
	Connector, Socket	025-19673-000	737536	9	
	Plug, 4 Pin (Panel & Comp End)	025-21417-000	737658	1	
	Connr, Socket #14-20AWG	025-19673-000	737536	26	
8	Hsg Connr Electrical Cap	025-20787-000	737566	1	*
9	Fitting Liquid Tight 1/2 Npt	025-28720-000	117421	1	*
15	HARNESS SYS1 COMPR. TEMP.	592-00580-304	716637	1	55
	4 Conductor Shielded Wire	025-32940-000	738777	127 in.	
	Mini-Univ Socket (VSD - P26 Pins 1-5)	025-28386-000	737925	5	
	Terminal, Push-On 1/4" (Sys. 1 Comp)	025-06874-000	117021	4	
16	HARNESS SYS1 CONDENSER LEVEL	592-00580-309	716639	1	56
	3 Conductor Shielded Wire	025-30463-003	738503	137 in.	
	Din Plug With Strain Relief	025-37805-000	144713	1	
	Socket, Mini-Univ. (VSD End)	025-28386-000	737925	4	
17	HARNESS LEAVING COND. TEMP.	592-00580-306	716640	1	55
	2 Conductor Shielded Wire	025-30463-002	738502	197 in.	
	Plug, Connector	025-28951-000	62724	1	
	Socket, Mini-Univ. (VSD End)	025-28386-000	737925	3	
	Collar (Leaving Cond Temp.)	025-28950-000	65212	2	
	Contact Receptacle (Leaving Cond Temp.)	025-28952-000	260	2	
18	HARNESS SYS1 DISCHARGE TEMP.	592-00580-308	716651	1	55
	2 Conductor Shielded Wire	025-30463-002	738502	147 in.	
	Plug, Connector (Sys 1 Discharge Temp.)	025-28951-000	62724	1	
	Socket, Mini-Univ. (VSD End)	025-28386-000	737925	3	
	Collar (Sys 1 Discharge Temp.)	025-28950-000	65212	2	
	Contact, Receptacle (Sys 1 Discharge Temp.)	025-28952-000	260	2	

**TABLE 52 (CONT'D) - CONTROL WIRING DUAL SYSTEM (HARNESS)**

ITEM	DESCRIPTION	YORK PART NUMBER	SAP PART NUMBER	QUANTITY	FIGURE
<b>19</b>	HARNESS SYS1 ECO. FEED VALVE	592-00580-322	716652	1	56
	4 Conductor Shielded Wire	025-32940-000	738777	162 in.	
	Cap, 4 Position Connector (Econ Valve End)	025-39831-000	433249	1	
	Locking Plate (Econ Valve End)	025-39945-000	433250	1	
	Socket, Mini-Univ. (VSD End)	025-28386-000	737925	4	
	Collar (Econ Valve End)	025-28957-000	117435	4	
	Tab Contact (Econ Valve End)	025-39949-000	433248	4	
<b>20</b>	HARNESS SYS1 COND. DRAIN VALVE	592-00580-323	716654	1	55
	4 Conductor Shielded Wire	025-32940-000	738777	127 in.	
	Cap, 4 Position Connector (Cond Drain Valve)	025-39831-000	433249	1	
	Locking Plate (Cond Drain Valve)	025-39945-000	433250	1	
	Socket, Mini-Univ. (VSD End)	025-28386-000	737925	4	
	Collar (Econ Valve End)	025-28957-000	117435	4	
	Tab Contact (Econ Valve End)	025-39949-000	433248	4	
<b>21</b>	HARNESS SYS1 EVAP. PRESSURE	592-00580-310	716655	1	*
	3 Conductor Shielded Wire	025-30463-003	738503	112 in.	
	Plug, Connector (Evap Pressure End)	025-28954-000	62725	1	
	Socket, Mini-Univ. (VSD End)	025-28386-000	737925	4	
	Collar (Evap Pressure End)	025-28950-000	65212	4	
	Contact Receptacle (Evap Pressure End)	025-28952-000	260	3	
<b>22</b>	HARNESS SYS1 OIL PRESSURE	592-00580-311	716657	1	55, 56
	3 Conductor Shielded Wire	025-30463-003	738503	152 in.	
	Plug, Connector (Oil Pressure End)	025-28954-000	62725	1	
	Socket, Mini-Univ. (VSD Panel End)	025-28386-000	737925	4	
	Collar (Oil Pressure End)	025-28950-000	65212	3	
	Contact Receptacle (Oil Pressure End)	025-28952-000	260	3	
<b>23</b>	HARNESS SYS1 DISCHARGE PRESS.	592-00580-312	716659	1	55
	3 Conductor Shielded Wire	025-30463-003	738503	152 in.	
	Plug, Connector (Disch Pressure End)	025-28954-000	62725	1	
	Socket, Mini-Univ. (VSD Panel End)	025-28386-000	737925	4	
	Collar (Disch Pressure End)	025-28950-000	65212	3	
	Contact Receptacle (Disch Pressure End)	025-28952-000	260	3	
<b>24</b>	HARNESS SYS1 EVAPORATOR TEMP.	592-00580-307	716660	1	56
	2 Conductor Shielded Wire	025-30463-002	738502	147 in.	
	Din Plug W/ Strain Relief	025-37805-000	144713	1	
	Socket, Mini-Univ. (VSD Panel End)	025-28386-000	737925	3	
<b>25</b>	HARNESS SYS2 COMPR. TEMP.	592-00580-305	716661	1	56
	4 Conductor Shielded Wire	025-32940-000	738777	102 in.	
	Socket, Mini-Univ. (VSD Panel End)	025-28386-000	737925	5	
	Terminal, Push-On 1/4" (Comp End)	025-06874-000	117021	4	

**TABLE 52 (CONT'D) - CONTROL WIRING DUAL SYSTEM (HARNESS)**

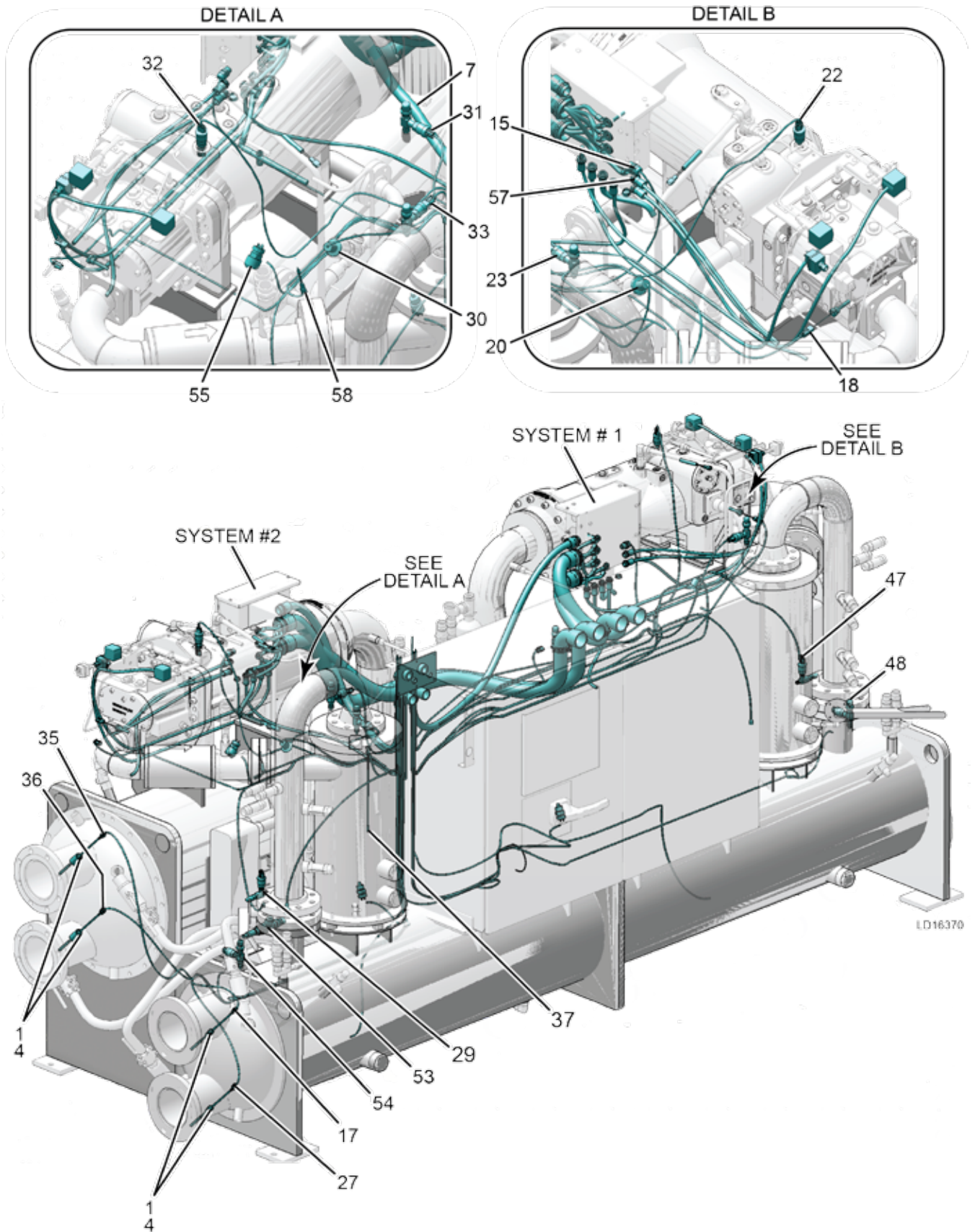
ITEM	DESCRIPTION	YORK PART NUMBER	SAP PART NUMBER	QUANTITY	FIGURE
26	HARNESS SYS2 CONDENSER LEVEL	592-00580-316	716663	1	56
	3 Conductor Shielded Wire	025-30463-003	738503	82 in.	
	Din Plug W/ Strain Relief (Condenser Level End)	025-37805-000	144713	1	
	Socket, Mini-Univ. (VSD Panel End)	025-28386-000	737925	4	
27	HARNESS ENTERING COND. TEMP.	592-00580-313	716664	1	55
	2 Conductor Shielded Wire	025-30463-002	738502	197 in.	
	Plug, Connector (Condenser Temp End)	025-28951-000	62724	1	
	Socket, Mini-Univ. (VSD Panel End)	025-28386-000	737925	3	
	Collar (Condenser Temp End)	025-28950-000	65212	2	
	Contact Receptacle (Condenser Temp End)	025-28952-000	260	2	
28	HARNESS SYS2 DISCHARGE TEMP.	592-00580-315	716665	1	56
	2 Conductor Shielded Wire	025-30463-002	738502	102 in.	
	Plug, Connector (Disch Temp End)	025-28951-000	62724	1	
	Socket, Mini-Univ. (VSD Panel End)	025-28386-000	737925	3	
	Collar (Disch Temp End)	025-28950-000	65212	2	
	Contact Receptacle (Disch Temp End)	025-28952-000	260	2	
29	HARNESS SYS2 ECO. FEED VALVE	592-00580-320	716666	1	55, 56
	4 Conductor Shielded Wire	025-32940-000	738777	97 in.	
	Cap, 4 Postion Connector (Econ Feed Valve End)	025-39831-000	433249	1	
	Locking Plate (Econ Feed Valve End)	025-39945-000	433250	1	
	Socket, Mini-Univ. (VSD Panel End)	025-28386-000	737925	4	
	Collar (Econ Feed Valve End)	025-28957-000	117435	4	
30	HARNESS SYS2 COND. DRAIN VALVE	592-00580-321	716668	1	55
	4 Conductor Shielded Wire	025-32940-000	738777	67 in.	
	Cap, 4 Postion Connector (Cond Drain Valve)	025-39831-000	433249	1	
	Locking Plate (Cond Drain Valve)	025-39945-000	433250	1	
	Socket, Mini-Univ. (VSD Panel End)	025-28386-000	737925	4	
	Collar (Cond Drain Valve)	025-28957-000	117435	4	
31	HARNESS SYS2 EVAP. PRESSURE	592-00580-317	716669	1	55
	3 Conductor Shielded Wire	025-30463-003	738503	52 in.	
	Plug, Connector (Evap Pressure End)	025-28954-000	62725	1	
	Socket, Mini-Univ. (VSD Panel End)	025-28386-000	737925	4	
	Collar (Evap Pressure End)	025-28950-000	65212	3	
	Contact Receptacle (Evap Pressure End)	025-28952-000	260	3	
32	HARNESS SYS2 OIL PRESSURE	592-00580-318	716671	1	55, 56
	3 Conductor Shielded Wire	025-30463-003	738503	102 in.	
	Plug, Connector (Oil Pressure End)	025-28954-000	62725	1	
	Socket, Mini-Univ. (VSD Panel End)	025-28386-000	737925	4	
	Collar (Oil Pressure End)	025-28950-000	65212	3	
	Contact Receptacle (Oil Pressure End)	025-28952-000	260	3	

**TABLE 52 (CONT'D) - CONTROL WIRING DUAL SYSTEM (HARNESS)**

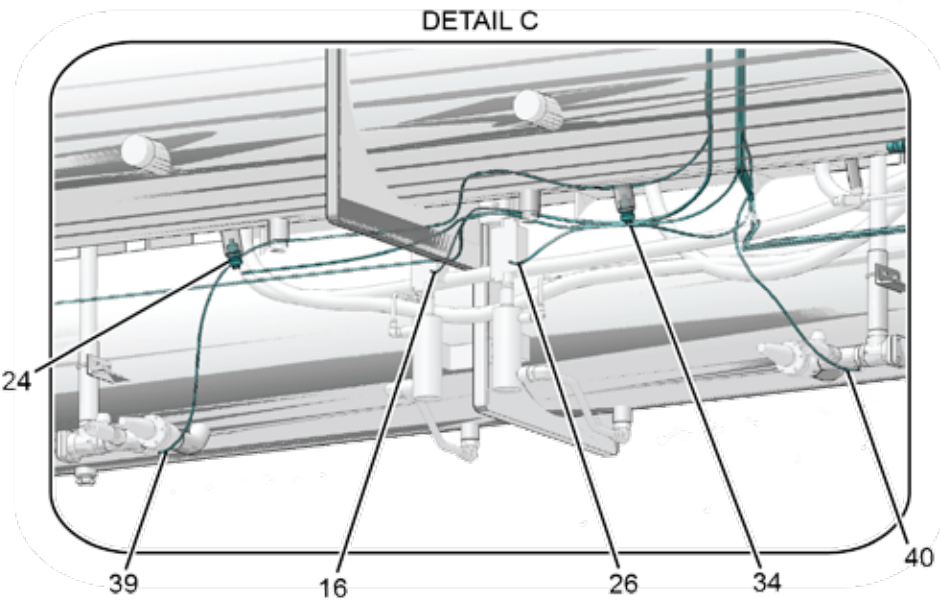
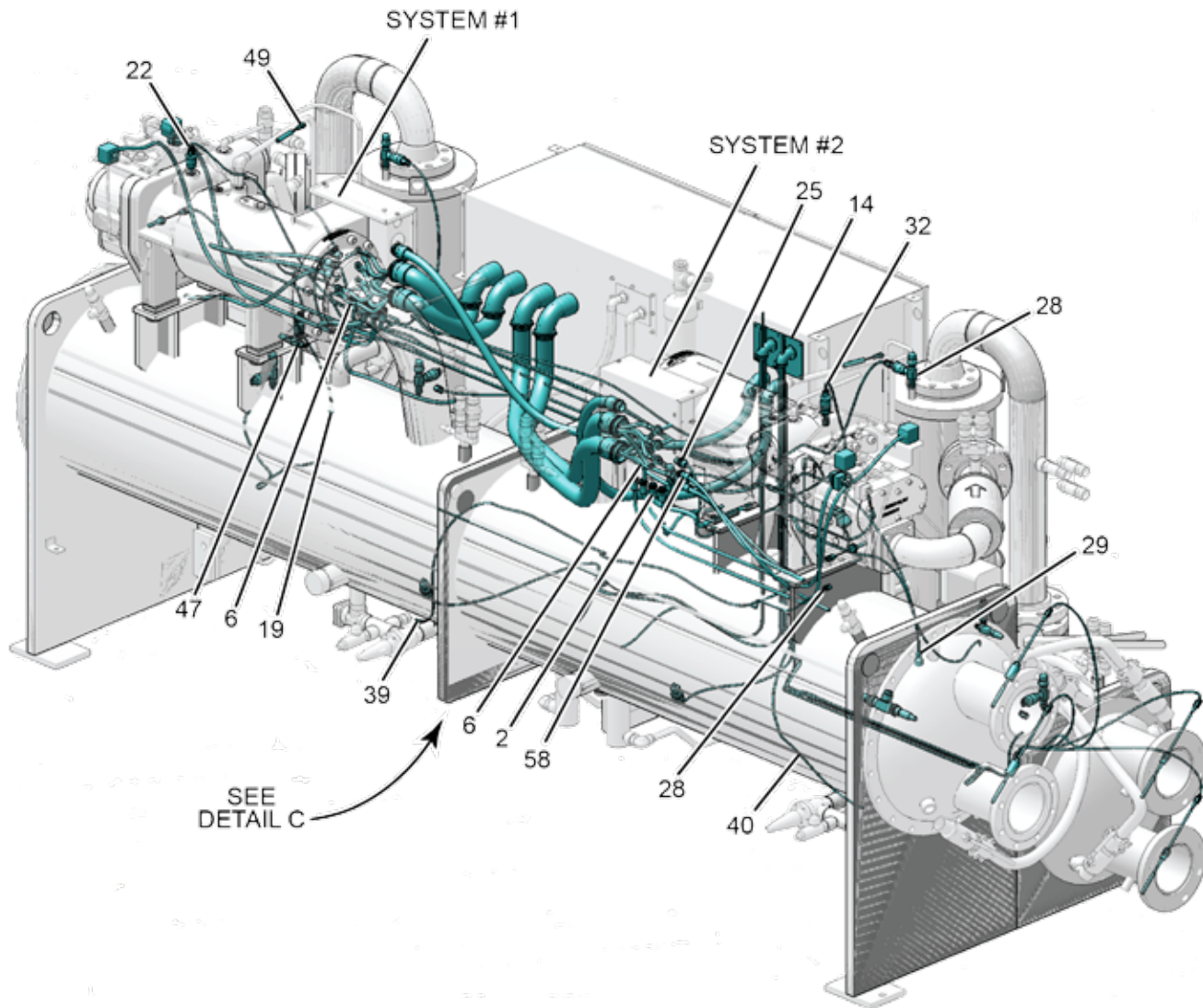
ITEM	DESCRIPTION	YORK PART NUMBER	SAP PART NUMBER	QUANTITY	FIGURE
<b>33</b>	HARNESS SYS2 DISCHARGE PRESS.	592-00580-319	716675	1	55
	3 Conductor Shielded Wire	025-30463-003	738503	92 in.	
	Plug, Connector (Disch Pressure End)	025-28954-000	62725	1	
	Socket, Mini-Univ. (VSD Panel End)	025-28386-000	737925	4	
	Collar (Disch Pressure End)	025-28950-000	65212	3	
	Contact Receptacle (Disch Pressure End)	025-28952-000	260	3	
<b>34</b>	HARNESS SYS2 EVAPORATOR TEMP.	592-00580-314	716678	1	56
	2 Conductor Shielded Wire	025-30463-002	738502	92 in.	
	Din Plug W/ Strain Relief (Evap Temp End)	025-37805-000	144713	1	
	Socket, Mini-Univ. (VSD Panel End)	025-28386-000	737925	3	
<b>35</b>	HARNESS LEAVING CHILLED TEMP.	592-00580-301	716680	1	55
	2 Conductor Shielded Wire	025-30463-002	738502	102 in.	
	Plug, Connector (Leaving Chilled Liquid Temp)	025-28951-000	62724	1	
	Socket, Mini-Univ. (VSD Panel End)	025-28386-000	737925	3	
	Collar (Leaving Chilled Liquid Temp)	025-28950-000	65212	2	
	Contact Recep (Leaving Chilled Liquid Temp)	025-28952-000	260	2	
<b>36</b>	HARNESS ENTERING CHILLED TEMP.	592-00580-302	716682	1	55
	2 Conductor Shielded Wire	025-30463-002	738502	202 in.	
	Plug, Connector (Entering Chilled Liquid Temp)	025-28951-000	62724	1	
	Socket, Mini-Univ. (VSD Panel End)	025-28386-000	737925	3	
	Collar (Entering Chilled Liquid Temp)	025-28950-000	65212	2	
	Contact Recep (Entering Chilled Liquid Temp)	025-28952-000	260	2	
<b>37</b>	HARNESS AMBIENT AIR TEMP.	592-00580-303	716683	1	55
	2 Conductor Shielded Wire	025-30463-002	738502	67 in.	
	Plug, Connector (Ambient Air Temp End)	025-28951-000	62724	1	
	Socket, Mini-Univ. (VSD Panel End)	025-28386-000	737925	3	
	Collar (Ambient Air Temp End)	025-28950-000	65212	2	
	Contact Recep (Ambient Air Temp End)	025-28952-000	260	2	
<b>39</b>	HARNESS SYS1 SUBCOOLED TEMP.	592-00580-327	716685	1	56
	2 Conductor Shielded Wire	025-30463-002	738502	167 in.	
	Din Plug w/ Strain Relief (Sub-Cool Liquid Temp. End)	025-37805-000	738502	1	
	Socket, Mini-Univ. (VSD Panel End)	025-28386-000	737925	3	
<b>40</b>	HARNESS SYS2 SUBCOOLED TEMP.	592-00580-338	716686	1	56
	2 Conductor Shielded Wire	025-30463-002	738502	102 in.	
	Din Plug w/ Strain Relief (Sub-Cool Liquid Temp. End)	025-37805-000	144713	1	
	Socket, Mini-Univ. (VSD Panel End)	025-28386-000	737925	3	
<b>47</b>	HARNESS SYS1 ECO. PRESSURE	592-00580-331	716688	1	55, 56
	3 Conductor Shielded Wire	025-30463-003	738503	137 in.	
	Plug, Connector (Economizer Pressure End)	025-28954-000	62725	1	
	Socket, Mini-Univ. (VSD Panel End)	025-28386-000	737925	3	
	Collar (Economizer Pressure End)	025-28950-000	65212	2	
	Contact Receptacle (Economizer Pressure End)	025-28952-000	260	2	

**TABLE 52 (CONT'D) - CONTROL WIRING DUAL SYSTEM (HARNESS)**

ITEM	DESCRIPTION	YORK PART NUMBER	SAP PART NUMBER	QUANTITY	FIGURE
48	HARNESS SYS1 COND. PRESSURE	592-00580-332	716690	1	55
	3 Conductor Shielded Wire	025-30463-003	738503	197 in.	
	Plug, Connector (Condenser Pressure End)	025-28954-000	62725	1	
	Socket, Mini-Univ. (VSD Panel End)	025-28386-000	737925	4	
	Collar (Condenser Pressure End)	025-28950-000	65212	3	
49	HARNESS SYS1 ECO. TEMP.	592-00580-328	716691	1	56
	3 Conductor Shielded Wire	025-30463-003	738503	137 in.	
	Plug, Connector (Economizer Temp End)	025-28951-000	62724	1	
	Socket, Mini-Univ. (VSD Panel End)	025-28386-000	737925	3	
	Collar (Economizer Temp End)	025-28950-000	65212	2	
53	HARNESS SYS2 ECO. PRESSURE	592-00580-342	716692	1	55
	3 Conductor Shielded Wire	025-30463-003	738503	77"	
	Plug, Connector (Economizer Pressure End)	025-28954-000	62725	1	
	Socket, Mini-Univ. (VSD Panel End)	025-28386-000	737925	3	
	Collar (Economizer Pressure End)	025-28950-000	65212	2	
54	HARNESS SYS2 COND. PRESSURE	592-00580-343	716693	1	55
	3 Conductor Shielded Wire	025-30463-003	738503	137 in.	
	Plug, Connector (Condenser Pressure End)	025-28954-000	62725	1	
	Socket, Mini-Univ. (VSD Panel End)	025-28386-000	737925	3	
	Collar (Condenser Pressure End)	025-28950-000	65212	2	
55	HARNESS SYS2 ECO. TEMP.	592-00580-339	716695	1	55
	2 Conductor Shielded Wire	025-30463-002	738502	77 in.	
	Plug, Connector (Economizer Temperature End)	025-28951-000	62724	1	
	Socket, Mini-Univ. (VSD Panel End)	025-28386-000	737925	3	
	Collar (Economizer Temperature End)	025-28950-000	65212	2	
57	HARNESS SYS1 EDUCTOR TEMP.	592-00580-350	808771	1	55
	2 Conductor Shielded Wire	025-30463-002	738502	141 in.	
	Plug, Connector (Eductor Temperature End)	025-28951-000	62724	1	
	Socket, Mini-Univ. (VSD Panel End)	025-28386-000	737925	3	
	Collar (Eductor Temperture End)	025-28950-000	65212	2	
58	HARNESS SYS2 EDUCTOR TEMP.	592-00580-351	808772	1	55, 56
	2 Conductor Shielded Wire	025-30463-002	738502	83 in.	
	Plug, Connector (Eductor Temperature End)	025-28951-000	62724	1	
	Socket, Mini-Univ. (VSD Panel End)	025-28386-000	737925	3	
	Collar (Eductor Temperature End)	025-28950-000	65212	2	
	Contact Receptacle (Eductor Temperature End)	025-28952-000	260	2	



**FIGURE 55 - SYSTEM WIRING**



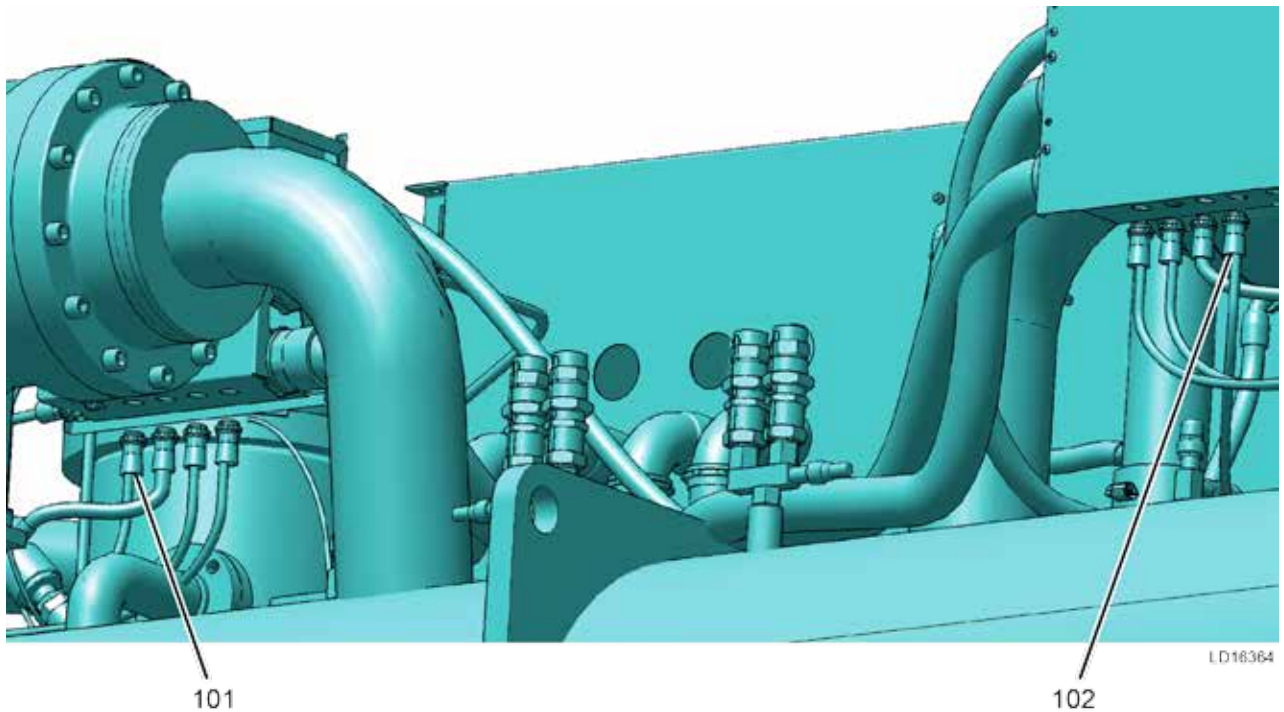
LD16371

FIGURE 56 - SYSTEM WIRING

**TABLE 53 - LIQUID INJECTION WIRING (OPTIONAL)**

ITEM	DESCRIPTION	YORK PART NUMBER	SAP PART NUMBER	QUANTITY	FIGURE
101	HARNESS SYS1 LIQUID INJE. SV	592-00580-216	821100	1	57
	Conduit, 3/8 35in	025-31302-000	618155	1	
	Connector, 3/8	025-31309-000	117547	2	
	Plug, DIN (SYS1 Liquid Injection End)	025-37876-000	117987	1	
	Terminal Pin #20-14AWG (Compressor End)	025-20919-000	737624	2	
102	HARNESS SYS2 LIQUID INJE. SV	592-00580-220	821196	1	57
	Conduit, 3/8 35in	025-31302-000	618155	1	
	Connector, 3/8	025-31309-000	117547	2	
	Plug, DIN (SYS2 Liquid Injection End)	025-37876-000	117987	1	
	Terminal Pin #20-14AWG (Compressor End)	025-20919-000	737624	2	

**NOTE:** Items with an \* are NOT represented.

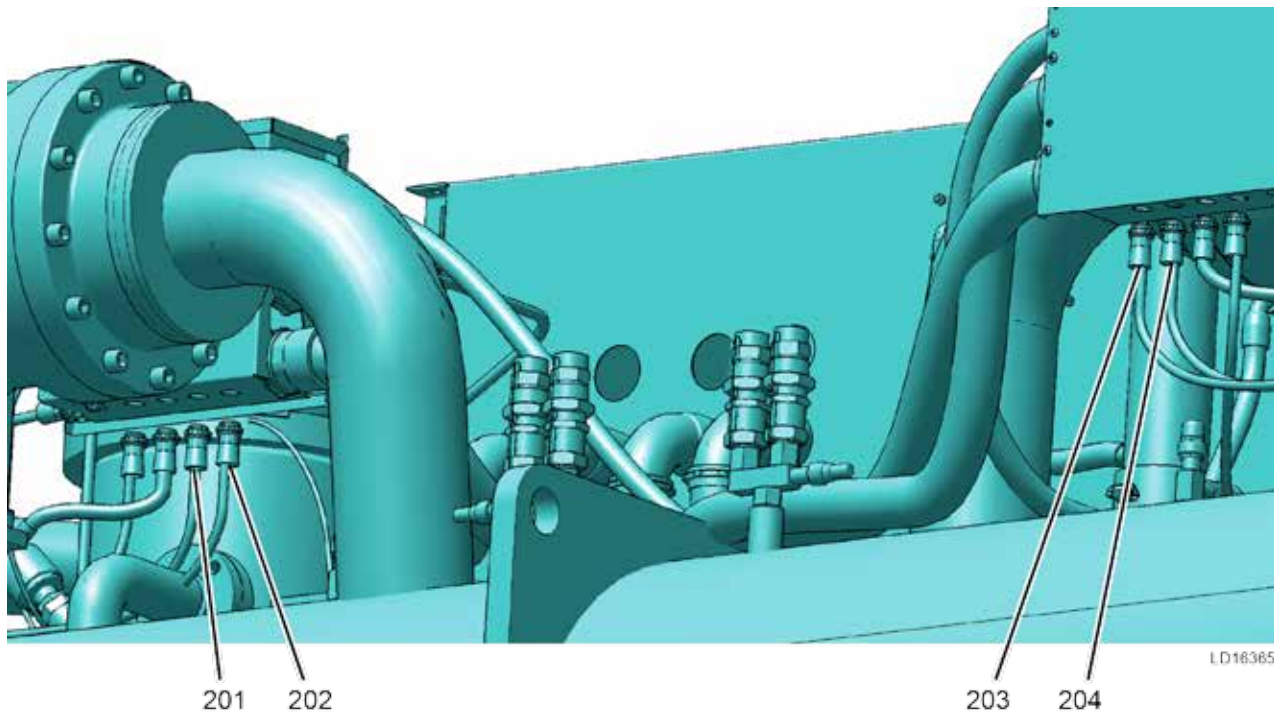


**FIGURE 57 - LIQUID INJECTION WIRING**

**TABLE 54 - STEP VI WIRING (OPTIONAL)**

ITEM	DESCRIPTION	YORK PART NUMBER	SAP PART NUMBER	QUANTITY	FIGURE
201	HARNESS SYS1 LIQUID INJE. SV	592-00580-214	821096	1	58
	Conduit, 3/8"	025-31302-000	618155	5.76'	
	Connector, 3/8"	025-31309-000	117547	2	
	Connector, DIN Plug (SYS1 SV1 End)	025-37876-000	117987	1	
	Terminal Pin #20-14AWG (Compressor End)	025-20919-000	737624	2	
202	HARNESS SYS2 LIQUID INJE. SV	592-00580-215	821098	1	58
	Conduit, 3/8"	025-31302-000	618155	6.58'	
	Connector, 3/8"	025-31309-000	117547	2	
	Connector, DIN Plug (SYS1 SV2 End)	025-37876-000	117987	1	
	Terminal Pin #20-14AWG (Compressor End)	025-20919-000	737624	2	
203	HARNESS SYS1 LIQUID INJE. SV	592-00580-218	821192	1	58
	Conduit, 3/8"	025-31302-000	618155	5.67'	
	Connector, 3/8"	025-31309-000	117547	2	
	Connector, DIN Plug (SYS2 SV1 End)	025-37876-000	117987	1	
	Terminal Pin #20-14AWG (Compressor End)	025-20919-000	737624	2	
204	HARNESS SYS2 LIQUID INJE. SV	592-00580-219	821194	1	58
	Conduit, 3/8"	025-31302-000	618155	6.58'	
	Connector, 3/8"	025-31309-000	117547	2	
	Connector, DIN Plug (SYS2 SV2 End)	025-37876-000	117987	1	
	Terminal Pin #20-14AWG (Compressor End)	025-20919-000	737624	2	

**NOTE:** Items with an \* are NOT represented.



**FIGURE 58 - STEP VI WIRING**

**TABLE 55 - ECO DRAIN WIRING (OPTIONAL)**

ITEM	DESCRIPTION	YORK PART NUMBER	SAP PART NUMBER	QUANTITY
<b>301</b>	HARNESS SYS1 ECO DRAIN SV	592-00580-267	1049385	1
	Conduit, 3/8" 10 ft	025-31302-000	618155	1
	Connector, 3/8"	025-31309-000	117547	2
	Plug, DIN (SYS1 Liquid Injection End)	025-37876-000	117987	1
	Terminal Pin #20-14AWG	025-19673-000	2156	3
<b>302</b>	HARNESS SYS2 ECO DRAIN SV	592-00580-268	1049386	1
	Conduit, 3/8" 5.92 ft	025-31302-000	618155	1
	Connector, 3/8"	025-31309-000	117547	2
	Plug, DIN (SYS2 Liquid Injection End)	025-37876-000	117987	1
	Terminal Pin #20-14AWG	025-19673-000	2156	3

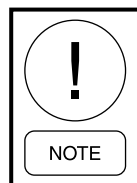
**TABLE 56 - FLOW SWITCHES**

PIN 48=	PIN 60=	PIN 73=	PIN 31=	YORK PART NUMBER	SAP PART NUMBER	DESCRIPTION
S,T	1	S	G,L	024-26116-100	899440	Paddle Type
			C	024-26116-200	1042144	
	H	G,C,L	024-12144-000	734236		
3	D,E		025-30919-000	738523	Diff Pressure	
G,H	1,3	S,H		025-44383-001	740486	Thermal Type

**NOTE:** The SAP part number is identified within the parenthesis.

**TABLE 57 - HEATPUMP JUMPER KIT (OPTIONAL)**

ITEM	DESCRIPTION	YORK PART NUMBER	SAP PART NUMBER	QUANTITY
-	Kit, Heatpump Jumper Plug	371-06009-000	842616	1
<b>1</b>	Hsg, Connr Plug Mini 12 Ckt Nat	025-28384-000	737920	1
<b>2</b>	Wire, Elec 18 Awg Red Per Aso	025-34017-000	738974	1
<b>3</b>	Contact, Socket Mini Universal	025-28386-000	737925	1



*See PIN structure (PIN 9 & 10) for the specific compressor Driveline.*

**TABLE 58 - NOISE REDUCTION**

PIN 9,10=	PIN 5,6 OR 7,8=	PIN 49=	PIN 38=	PIN 50=	DESCRIPTION	YORK PART NUMBER	SAP PART NUMBER		
FX	BB,BC,BD,CB,CC,CD,DB,DC,DD	C,D,E,S	X	A,E,G	Kit, Noise Reduction, 145	392-06332-000	943708		
	BB,BC,BD	E,S			Kit, Noise Reduction, 145 (8' 19mm)	392-06332-001	943709		
	CB,CC,CD				Kit, Noise Reduction, 145 (10' 19mm)	392-06332-002	943710		
	DB,DC,DD				Kit, Noise Reduction, 145 (12' 19mm)	392-06332-003	943711		
	BB,BC,BD	C,D			Kit, Noise Reduction, 145 (8' 38mm)	392-06332-004	943712		
	CB,CC,CD				Kit, Noise Reduction, 145 (10' 38mm)	392-06332-005	943713		
	DB,DC,DD				Kit, Noise Reduction, 145 (12' 38mm)	392-06332-006	943714		
	Kit, Noise Reduction, 151				392-06332-100	943715			
GX	BB,BC,BD,CB,CC,CD,DB,DC,DD	C,D,E,S			X	A,E,G	Kit, Noise Reduction, 151 (8' 19mm)	392-06332-101	943716
	BB,BC,BD	E,S					Kit, Noise Reduction, 151 (10' 19mm)	392-06332-102	943717
	CB,CC,CD						Kit, Noise Reduction, 151 (12' 19mm)	392-06332-103	943718
	DB,DC,DD						Kit, Noise Reduction, 151 (8' 38mm)	392-06332-104	943719
	BB,BC,BD	C,D					Kit, Noise Reduction, 151 (10' 38mm)	392-06332-105	943720
	CB,CC,CD						Kit, Noise Reduction, 151 (12' 38mm)	392-06332-106	943721
	DB,DC,DD								
FX	BB,BC,BD,CB,CC,CD,DB,DC,DD	C,D,E,S	B	A,E,G			Kit, Noise Reduction, 145	392-06332-500	1163866
	BB,BC,BD	E,S					Kit, Noise Reduction, 145 (8' 19mm)	392-06332-501	1163867
	CB,CC,CD						Kit, Noise Reduction, 145 (10' 19mm)	392-06332-502	1163868
	DB,DC,DD						Kit, Noise Reduction, 145 (12' 19mm)	392-06332-503	1163869
	BB,BC,BD	C,D					Kit, Noise Reduction, 145 (8' 38mm)	392-06332-504	1163870
	CB,CC,CD						Kit, Noise Reduction, 145 (10' 38mm)	392-06332-505	1164001
	DB,DC,DD				Kit, Noise Reduction, 145 (12' 38mm)	392-06332-506	1164002		
	Kit, Noise Reduction, 151				392-06332-600	1164003			
GX	BB,BC,BD,CB,CC,CD,DB,DC,DD	C,D,E,S			B	A,E,G	Kit, Noise Reduction, 151 (8' 19mm)	392-06332-601	1164004
	BB,BC,BD	E,S					Kit, Noise Reduction, 151 (10' 19mm)	392-06332-602	1164005
	CB,CC,CD						Kit, Noise Reduction, 151 (12' 19mm)	392-06332-603	1164006
	DB,DC,DD						Kit, Noise Reduction, 151 (8' 38mm)	392-06332-604	1164007
	BB,BC,BD	C,D					Kit, Noise Reduction, 151 (10' 38mm)	392-06332-605	1164008
	CB,CC,CD						Kit, Noise Reduction, 151 (12' 38mm)	392-06332-606	1164009
	DB,DC,DD								
EE	ALL	E,S	B,X	A,G			Kit, Noise Reduction, WTS136/136	392-06583-001	835702
FE							Kit, Noise Reduction, WTS136/145	392-06583-002	835703
FF							Kit, Noise Reduction, WTS145/145	392-06583-003	835704
EE							Kit, Noise Reduction, WTS136/136	392-06583-004	835705
FE							Kit, Noise Reduction, WTS136/145	392-06583-005	835706
FF							Kit, Noise Reduction, WTS145/145	392-06583-006	835707
EE		C,D			Kit, Noise Reduction, WTS136/136	392-06583-007	835708		
FE					Kit, Noise Reduction, WTS136/145	392-06583-008	835709		
FF					Kit, Noise Reduction, WTS145/145	392-06583-009	835710		
EE					Kit, Noise Reduction, WTS136/136	392-06583-010	835711		
FE					Kit, Noise Reduction, WTS136/145	392-06583-011	835712		
FF					Kit, Noise Reduction, WTS145/145	392-06583-012	835713		

TABLE 58 (CONT'D ) - NOISE REDUCTION

PIN 9,10=	PIN 5,6 OR 7,8=	PIN 49=	PIN 38=	PIN 50=	DESCRIPTION	YORK PART NUMBER	SAP PART NUMBER		
EE	ALL	E,S	B	E	Kit, Noise Reduction, WTS136/136	392-06583-501	1161098		
FE					Kit, Noise Reduction, WTS136/145	392-06583-502	1161099		
FF					Kit, Noise Reduction, WTS145/145	392-06583-503	1161100		
EE					Kit, Noise Reduction, WTS136/136	392-06583-504	1161321		
FE					Kit, Noise Reduction, WTS136/145	392-06583-505	1161322		
FF					Kit, Noise Reduction, WTS145/145	392-06583-506	1161323		
EE		C,D			X	E	Kit, Noise Reduction, WTS136/136	392-06583-507	1161324
FE							Kit, Noise Reduction, WTS136/145	392-06583-508	1161325
FF							Kit, Noise Reduction, WTS145/145	392-06583-509	1161326
EE							Kit, Noise Reduction, WTS136/136	392-06583-510	1161327
FE							Kit, Noise Reduction, WTS136/145	392-06583-511	1161328
FF							Kit, Noise Reduction, WTS145/145	392-06583-512	1161329
EE		E,S	X	E			Kit, Noise Reduction, WTS136/136	392-06583-901	1161330
FE							Kit, Noise Reduction, WTS136/145	392-06583-902	1161331
FF							Kit, Noise Reduction, WTS145/145	392-06583-903	1161332
EE							Kit, Noise Reduction, WTS136/136	392-06583-904	1161333
FE							Kit, Noise Reduction, WTS136/145	392-06583-905	1161334
FF							Kit, Noise Reduction, WTS145/145	392-06583-906	1161335
EE		C,D			X	E	Kit, Noise Reduction, WTS136/136	392-06583-907	1161336
FE							Kit, Noise Reduction, WTS136/145	392-06583-908	1161337
FF							Kit, Noise Reduction, WTS145/145	392-06583-909	1161338
EE							Kit, Noise Reduction, WTS136/136	392-06583-910	1161339
FE							Kit, Noise Reduction, WTS136/145	392-06583-911	1161340
FF							Kit, Noise Reduction, WTS145/145	392-06583-912	1161341
EE		C,D,E,S	B,X	A,G			Kit, Noise Reduction, WTS136/136	392-06584-001	820918
FE							Kit, Noise Reduction, WTS136/145	392-06584-002	820919
FF							Kit, Noise Reduction, WTS145/145	392-06584-003	820920
EE			B	E			Kit, Noise Reduction, WTS136/136	392-06584-501	1161342
FE							Kit, Noise Reduction, WTS136/145	392-06584-502	1161343
FF							Kit, Noise Reduction, WTS145/145	392-06584-503	1161344
EE					Kit, Noise Reduction, WTS136/136	392-06584-901	1161345		
FE			X		Kit, Noise Reduction, WTS136/145	392-06584-902	1161346		
FF	Kit, Noise Reduction, WTS145/145				392-06584-903	1161347			

**TABLE 59 - LANGUAGE KITS**

OBJECT DESCRIPTION	YORK PART NUMBER	SAP
Overlay, Keypad, English	024-34930-021	986630
Overlay, Keypad, English IP33	024-34930-041	986859
Overlay, Keypad, French	024-34930-022	986851
Overlay, Keypad, French IP33	024-34930-042	986860
Overlay, Keypad, Spanish	024-34930-023	986852
Overlay, Keypad, Spanish IP33	024-34930-043	986861
Overlay, Keypad, German	024-34930-024	986853
Overlay, Keypad, German IP33	024-34930-044	986862
Overlay, Keypad, Portuguese	024-34930-025	986854
Overlay, Keypad, Portuguese IP33	024-34930-045	986863
Overlay, Keypad, Italian	024-34930-026	986855
Overlay, Keypad, Italian IP33	024-34930-046	986864
Overlay, Keypad, Hungarian	024-34930-027	986856
Overlay, Keypad, Hungarian IP33	024-34930-047	986865
Overlay, Keypad, Polish	024-34930-028	986857
Overlay, Keypad, Polish IP33	024-34930-048	986866
Overlay, Keypad, Chinese	024-34930-029	986858

**TABLE 60 - COMPOUNDS AND ABRASIVES**

DESCRIPTION	YORK PART NUMBER	SAP NUMBER
Compound, Heat Conductive 4oz.	013-00898-000	616572
Coolant, Propylene Glycol	013-03345-000	729101
Corrosion Inhibitor	026-37706-000	740984
Cleaner, 16oz. (Loctite #7070)	013-02899-000	616586
Blue Threadlocker, 50mL (Loctite #243)	013-01678-000	588484
Red Refrigerant Sealant, 250mL (Loctite # 554)	013-02894-000	588490
White Thread Sealant, 50mL (Loctite #565)	013-03090-000	729094
White Thread Sealant, 250mL (Loctite #565)	013-02023-000	729048
General Purpose Primer, 1.75oz. (Loctite #N7649)	013-01753-000	588485
General Purpose Primer, 1 gallon (Loctite #N7649)	013-02982-000	729084
Sealer, Pipe Thread Compound	013-03487-000	729128
Tape, Electrical	025-40150-000	739762
Threadlocker (Loctite #262)	013-03306-000	729096
YORK "L" Oil, 1 Quart	011-00962-000	-
YORK "L" Oil, 6 1-Gallon	011-00956-000	148553
YORK "L" Oil, 5 Gallon	011-00592-000	3821
Compound, Thermal	013-02997-000	115564



*Ensure compliance with local, state and federal regulations in disposing of any Oil container or residual contents.*



*Oils may lead to dermatitis following prolonged or frequent exposure. Refer to product health safety and environmental data sheets for relevant information.*

**TABLE 61 - E-LINK**

ITEM	DESCRIPTION	YORK PART NUMBER	SAP PART NUMBER	QUANTITY
100	E-Link W/Serial Ports	025-43893-000	703143	1
	E-Link W/Serial Ports (Lon)	025-44384-000	740489	
101	E-Link Optiview/Latitude Panel	025-43894-000	703144	1

**TABLE 62 - AUTOTRANSFORMER**

PIN 11=	VOLTAGE (PIN 20 & 21)	DESCRIPTION	YORK PART NUMBER	SAP PART NUMBER	QUANTITY
A, B, J, L	17	Kit, Autotransformer	025-45719-001	912329	1
A, B, J, L	28	Kit, Autotransformer	025-45719-002	912330	1
A, B, J, L	58	Kit, Autotransformer	025-45719-005	912511	1
D	58	Kit, Autotransformer	025-45719-008	912512	1

## NOTES

The following factors can be used to convert from English to the most common SI Metric values.

**TABLE 63 - SI METRIC CONVERSION**

MEASUREMENT	MULTIPLY ENGLISH UNIT	BY FACTOR	TO OBTAIN METRIC UNIT
Capacity	Tons Refrigerant Effect (ton)	3.516	Kilowatts (kW)
Power	Horsepower	0.7457	Kilowatts (kW)
Flow Rate	Gallons / Minute (gpm)	0.0631	Liters / Second (l/s)
Length	Feet (ft)	0.3048	Meters (m)
	Inches (in)	25.4	Millimeters (mm)
Weight	Pounds (lbs)	0.4538	Kilograms (kg)
Velocity	Feet / Second (fps)	0.3048	Meters / Second (m/s)
Pressure Drop	Feet of Water (ft)	2.989	Kilopascals (kPa)
	Pounds / Square Inch (psi)	6.895	Kilopascals (kPa)

**TEMPERATURE**

To convert degrees Fahrenheit (°F) to degrees Celsius (°C), subtract 32° and multiply by 5/9 or 0.5556.

Example:  $(45.0^{\circ}\text{F} - 32^{\circ}) \times 0.5556 = 27.2^{\circ}\text{C}$

To convert a temperature range (i.e., a range of 10°F) from Fahrenheit to Celsius, multiply by 5/9 or 0.5556.

Example:  $10.0^{\circ}\text{F range} \times 0.5556 = 5.6^{\circ}\text{C range}$



P.O. Box 1592, York, Pennsylvania USA 17405-1592  
Copyright © by Johnson Controls 2014  
Form 201.30-RP1 (1214)  
Issue Date: December 12, 2014  
Supersedes: 201.30-RP1 (1113)

800-861-1001  
[www.johnsoncontrols.com](http://www.johnsoncontrols.com)

Subject to change without notice. Printed in USA  
ALL RIGHTS RESERVED