



MILLENNIUM VARIABLE SPEED DRIVE

OPERATING INSTRUCTIONS

Supersedes: 160.00-O1 (200)

Form 160.00-O1 (702)

This Instruction is to be used in conjunction with the standard Operating Instructions for YORK Model YT & YK chillers furnished with an optional Variable Speed Drive (VSD).



YORK MODEL YK CHILLER WITH OPTIONAL VARIABLE SPEED DRIVE

VSD SIZE (HP)	
60 HZ	50 HZ
351	292
503	419
790	658
1100	900

TABLE OF CONTENTS

VSD Style Variations	2
VSD Unit and Harmonic Filter Component Overview	2
VSD Control System Overview	7
Control Panel VSD Related Keypad Functions	10
VSD Adaptive Capacity Control	12
VSD Display Messages	13

VSD STYLE VARIATIONS

Original Style –

Model Number	Part Number
351 -46	371-01742-XXX
503 -46	371-01484-XXX
790 -46	371-01749-XXX

Style “A” – This series applies to 503 HP only. Ground fault protection was incorporated into the circuit breaker, rather than utilizing separate GFI modules.

Model Number	Part Number
503 - 46A	371-02241-XXX

Style “B” – This series includes wire harness changes to address 50HZ, higher voltage scaling on the ‘519’ Filter Logic Board with matching software changes, and various other software modifications. Note: Style “B” Software cannot be installed in Style A units without also making significant hardware changes.

Model Number	Part Number
351 - 46B	371-02289-XXX
503 - 46B	371-02291-XXX
790 - 46B	371-02293-XXX
292 - 50B (50 HZ)	371-02249-XXX
419 - 50B (50 HZ)	371-02248-XXX
658 - 50B (50 HZ)	371-02247-XXX

Style “C” – This series is identical to the Style B series, except that the circuit breaker and some fuses have been changed to permit a 65,000 A. Short-Circuit Rating.

Model Number	Part Number
351 - 46C	371-02412-XXX
503 - 46C	371-02413-XXX
790 - 46C	371-02414-XXX
292 - 50C (50 HZ)	371-02415-XXX
419 - 50C (50 HZ)	371-02416-XXX
658 - 50C (50 HZ)	371-02417-XXX

Style “D” – This series incorporates changes to the ‘519’ Filter Logic Board and Filter Gate Driver Board, resulting in improved Percent TDD values:

Model Number	Part Number
351 -46D	371-02526-XXX
503 -46D	371-02527-XXX
790 -46D	371-02528-XXX
1100 -46D	371-02461-XXX
292 -50D	371-02529-XXX
419 -50D	371-02530-XXX
658 -50D	371-02531-XXX
900 -50D	371-02532-XXX

- XXX Suffix:

-101	Factory Package YT Basic
-102	Factory Package YK Basic
-103	Factory Package YT w/ Filter
-104	Factory Package YK w/ Filter
-111	Retrofit YT Basic
-112	Retrofit YK Basic
-113	Retrofit YT w/ Filter
-114	Retrofit YK w/ Filter

VSD UNIT AND HARMONIC FILTER COMPONENT OVERVIEW

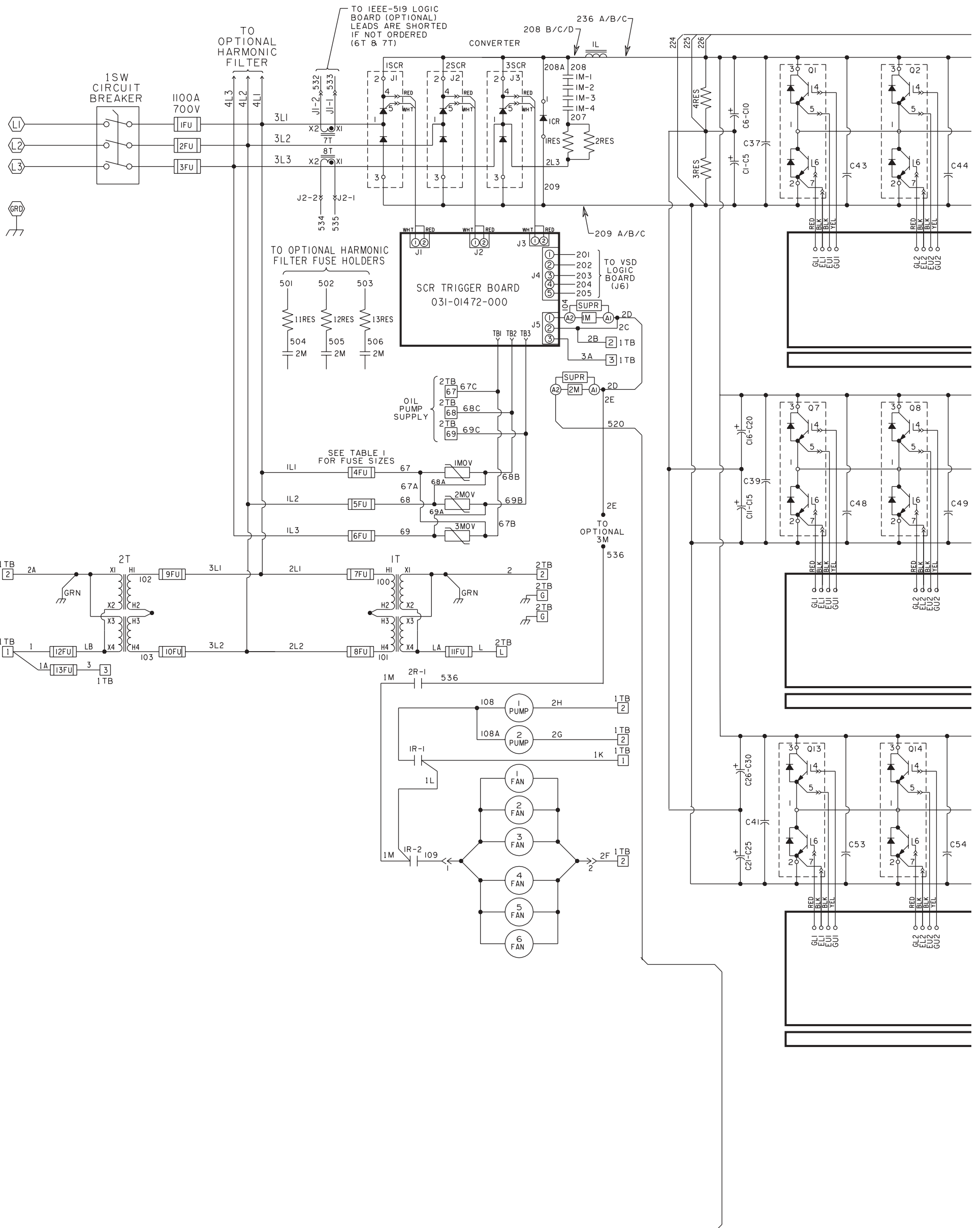
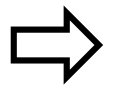
Variable Speed Drive

The new YORK VSD is a liquid cooled, transistorized, PWM inverter packaged in a compact cabinet small enough to mount directly onto the chiller and directly onto the motor. The power section of the drive is composed of four major blocks: an AC to DC rectifier section with accompanying pre-charge circuit and free-wheeling diode, a DC link filter section, a three phase DC to AC inverter section and an output suppression network.

The AC to DC rectifier utilizes a semi-converter formed by the connection of three SCR/diode modules (1SCR-3SCR) in a three phase bridge configuration (See Fig. 1). The modules are mounted on a liquid cooled heatsink. Use of the semi-converter configuration permits implementation of a separate pre-charge circuit to limit the flow of current into the DC link filter capacitors when the drive is switched on and it also provides a fast disconnect from the power mains when the drive is switched off. When the drive is turned off, the SCRs in the semi-converter remain in a non-conducting mode and the DC link filter capacitors remain uncharged. When the drive is commanded to run, a set of precharge resistors (1RES, 2RES) are switched into the circuit by contactor 1M. The DC link filter capacitors are slowly charged via the precharge resistors and the diodes of the semi-converter for a fixed time period of 15 seconds. After the 15 second time period has expired, the SCR's are gated fully on and the contactor 1M is dropped out. A “free-wheeling” diode 1CR is included to reduce the surge current which must be conducted through the semi-converter if a serious fault were to occur across the DC link. Three power fuses (1FU - 3FU) and an electronic circuit breaker (1SW) with ground fault sensing connects the AC to DC converter to the power mains. Very fast semi-conductor power fuses are utilized to ensure that the SCR/diode module packages do not rupture if a catastrophic failure were to occur on the DC link. The SCR Trigger board (031-01472) provides the gating pulses for the SCR's as commanded by the VSD Logic board (031-01433).

The DC Link filter section of the drive consists of two basic components, a DC Link “smoothing” inductor or pair of inductors (1L, 2L) and a series of electrolytic filter capacitors (C1-C36). This inductor / capacitor combination forms a low-pass L-C filter which effectively smooths the ripple voltage from the AC to DC rectifier while simultaneously providing a large energy reservoir for use by the DC to AC inverter section of the drive. In order to achieve a suitable voltage capability for the capacitor portion of the filter, filter capacitor “banks” are formed by connecting two capacitors in series to form a “pair”, and then paralleling a suitable number of “pairs” to form a

CONTINUED
ON PAGES
3B & 4

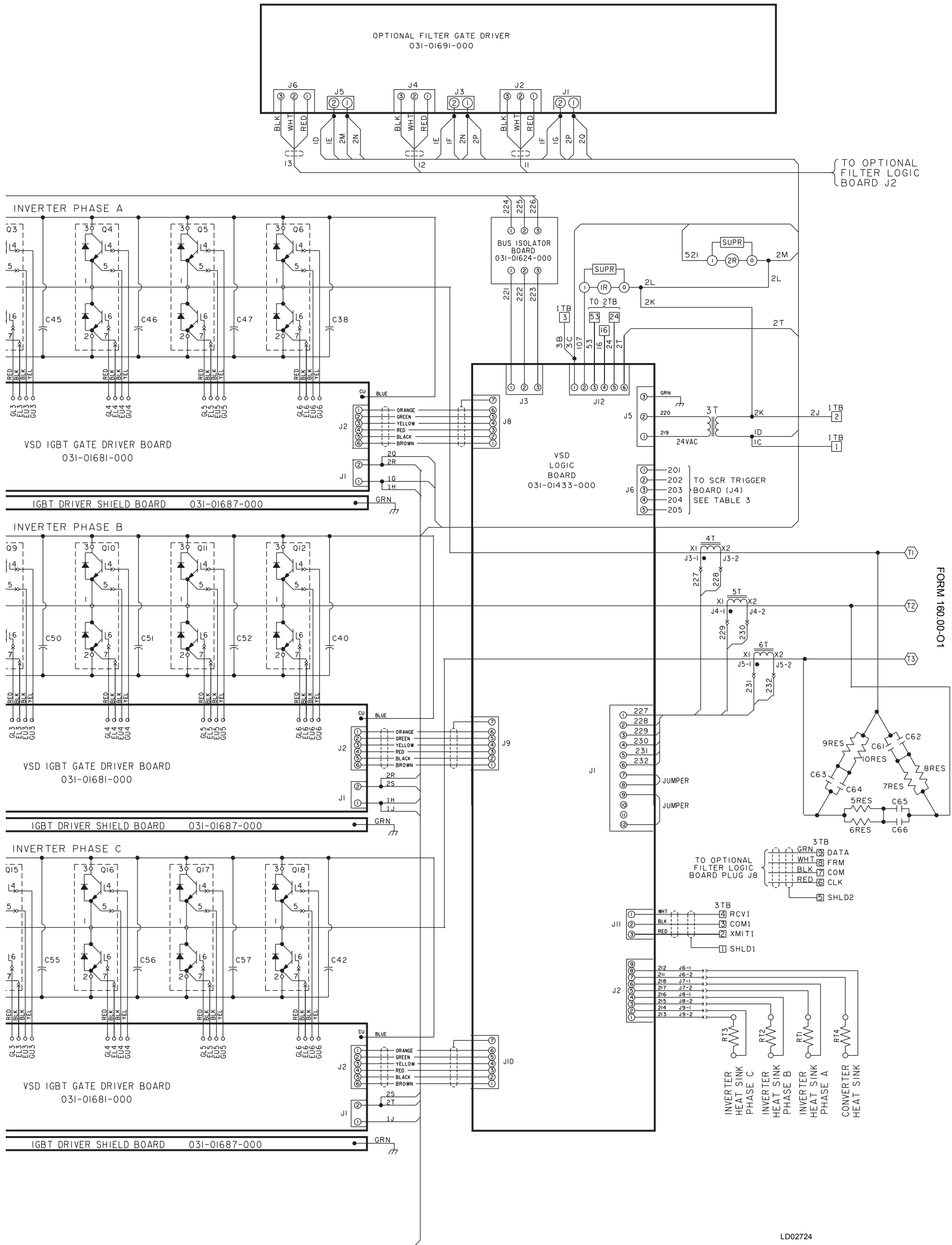


FORM 160.00-01 (702)

FORM 160.00-01 (702)

FIG. 1 - AC TO DC CONVERTER AND DC LINK FILTER

LD02724



LD02724

FIG. 2 - AC TO DC CONVERTER AND DC LINK FILTER

capacitor “bank”. In order to assure an equal sharing of the voltage between the series connected capacitors and to provide a discharge means for the capacitor bank when the VSD is powered off, “bleeder” resistors (3RES and 4RES) are connected across the capacitor banks.

The DC to AC inverter section of the VSD (See Fig. 2), serves to convert the rectified and filtered DC back to AC at the magnitude and frequency commanded by the VSD Logic board. The inverter section is actually composed of three identical inverter output phase assemblies. These assemblies are in turn composed of a series of Insulated Gate Bipolar Transistor (IGBT) modules (Q1-Q4) mounted to a liquid cooled heatsink, a filter capacitor “bank” (C13-C20) and a VSD Gate Driver board (031-01476) which provides the On and Off gating pulses to the IGBT’s as determined by the VSD Logic board. In order to minimize the parasitic inductance between the IGBT’s and the capacitor banks, copper plates which electrically connect the capacitors to one another and to the IGBT’s are connected together using a “laminated bus” structure. This “laminated bus” structure is actually composed of a pair of copper bus plates with a thin sheet of insulating material acting as the separator/insulator. The “laminated bus” structure forms a parasitic capacitor which acts as a small valued capacitor, effectively canceling the parasitic inductance of the busbars themselves. To further cancel the parasitic inductances, a series of small film capacitors (C43-C51) are connected between the positive and negative plates of the DC link. To provide electrical shielding for the VSD Gate Driver board, an IGBT driver “shield board” (031-01627) is mounted just beneath the VSD Gate Driver board.

The VSD output suppression network is composed of a series of capacitors (C61-C66) and resistors (5RES-10RES) connected in a three phase delta configuration. The parameters of the suppression network components are chosen to work in unison with the parasitic inductance of the DC to AC inverter sections in order to simultaneously limit both the rate of change of voltage and the peak voltage applied to the motor windings. By limiting the peak voltage to the motor windings, as well as the rate-of-change of motor voltage, we can avoid problems commonly associated with PWM motor drives, such as stator-winding end-turn failures and electrical fluting of motor bearings.

Various ancillary sensors and boards are used to convey information back to the VSD Logic board. Each liquid cooled heatsink within the DC to AC inverter section contains a thermistor heatsink temperature sensor (RT1 - RT3) to provide temperature information to the VSD logic board. The AC to DC semi-converter heatsink temperature is also monitored using thermistor temperature sensor RT4. The Bus Isolator board (031-01624) utilizes three resistors on the board to provide a “safe” impedance between the DC link filter capacitors located on

the output phase bank assemblies and the VSD logic board. It provides the means to sense the positive, mid-point and negative connection points of the VSD’s DC link. A Current Transformer (3T - 5T) is included on each output phase assembly to provide motor current information to the VSD logic board.

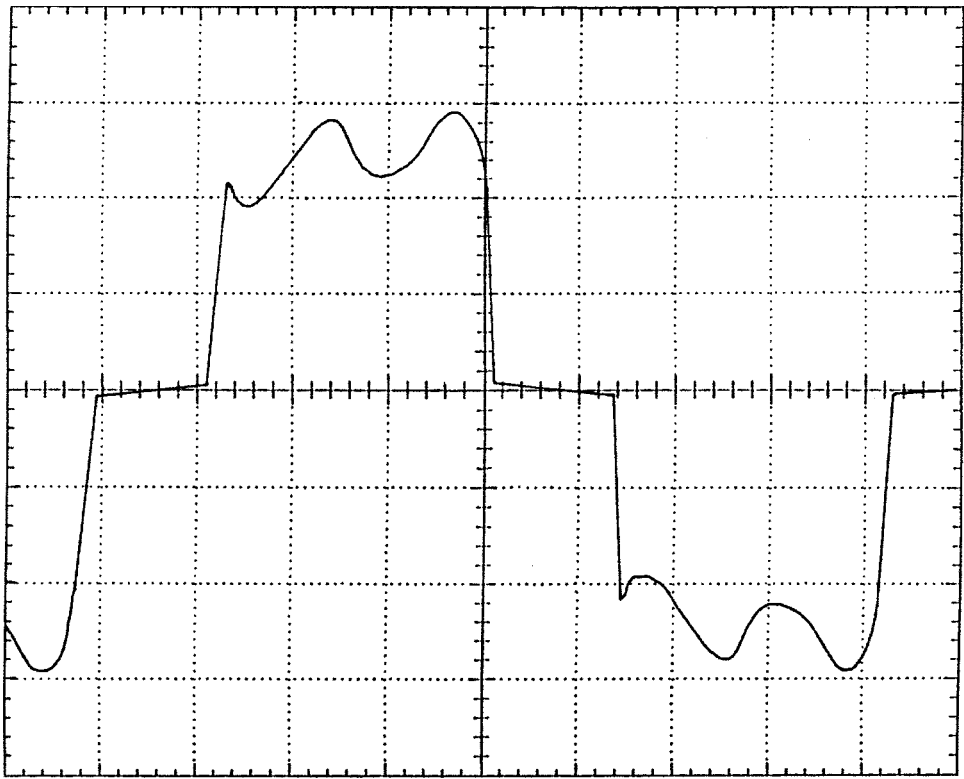
Harmonic Filter Option

The VSD system may also include an optional harmonic filter designed to meet the IEEE Std 519 -1992, “IEEE Recommended Practices and Requirements for Harmonic Control in Electrical Power Systems”. The filter is offered as a means to “clean up” the input current waveform drawn by the VSD from the power mains, thus reducing the possibility of causing electrical interference with other sensitive electronic equipment connected to the same power source.

Figure 3A is a plot of the typical input current waveform for the VSD system without the optional filter when the system is operating at 50% load. Figure 3B is a plot of the typical input current waveform for the VSD system with the optional harmonic filter installed when operating at the same load conditions. The plots show that the input current waveform is converted from a square wave to a fairly clean sinusoidal waveform when the filter is installed. In addition, the power factor of the system with the optional filter installed corrects the system power factor to nearly unity.

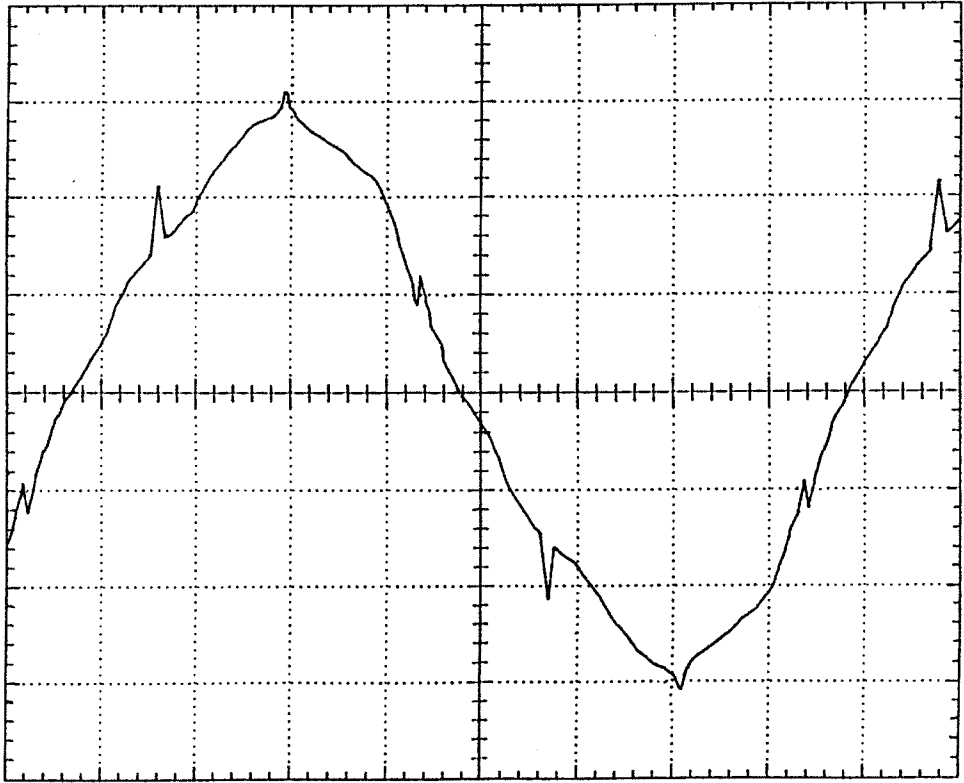
The power section of the Harmonic Filter is composed of four major blocks: a pre-charge section, a “trap” filter network, a three phase inductor and an IGBT Phase Bank Assembly (See Fig. 4).

The pre-charge section is formed by three resistors (11RES - 13RES) and two contactors, pre-charge contactor 2M, and supply contactor 3M. The pre-charge network serves two purposes, to slowly charge the DC link filter capacitors associated with the filter Phase Bank Assembly (via the diodes within the IGBT modules Q13-Q18) and to provide a means of disconnecting the filter power components from the power mains. When the drive is turned off, both contactors are dropped out and the filter phase bank assembly is disconnected from the mains. When the drive is commanded to run, the pre-charge resistors are switched into the circuit via contactor 2M for a fixed time period of 5 seconds. This permits the filter capacitors in the phase bank assembly to slowly charge. After the 5 second time period, the supply contactor is pulled in and the pre-charge contactor is dropped out, permitting the filter Phase Bank Assembly to completely charge to the peak of the input power mains. Three power fuses (11FU -13FU) connect the filter power components to the power mains. Very fast semiconductor power fuses are utilized to ensure that the IGBT modules do not rupture if a catastrophic failure



LD02726

FIG. 3A – VSD INPUT CURRENT WITHOUT FILTER



LD02727

FIG. 3B – VSD INPUT CURRENT WITH FILTER

were to occur on the DC link of the filter phase bank assembly.

The “trap” filter is composed of a series of capacitors (C84-C92), inductors (4L-6L) and resistors (16RES-18RES). The “trap” filter acts as a low impedance for a range of frequencies centered at the PWM switching frequency of the filter (20 KHz). The purpose of the trap is to block currents at the switching frequency of the filter from getting onto the power mains.

The three phase inductor provides some impedance for the filter to “work against”. It effectively limits the rate of change of current at the input to the filter to a reasonable level.

The IGBT Phase Bank Assembly is the most complicated power component in the optional filter. Its purpose is to generate the harmonic currents required by the VSD’s AC to DC converter so that these harmonic currents are not drawn from the power mains. The phase bank is composed of a series of IGBT modules (Q13-Q18) mounted to a liquid cooled heatsink, a filter capacitor “bank” (C67-C76) and an IEEE 519 Filter Gate Driver board (031-01626) which provides the On and Off gating pulses to the IGBT’s as determined by the 519 Filter Logic board. In order to assure an equal sharing of the voltage between the series connected capacitors on the filter bank, “bleeder” resistors 14RES and 15RES are connected across the banks. In order to counteract the parasitic inductances in the mechanical structure of the phase bank, the filter incorporates “laminated bus” technology and a series of small film capacitors (C77-C83). The technology used is identical to that used in the VSD’s DC to AC inverter section of the drive.

Various ancillary sensors and boards are used to convey information back to the Filter Logic board. A thermistor temperature sensor RT5 is mounted onto the liquid cooled heatsink to provide temperature information. Current Transformers 6T and 7T sense the input current drawn by the VSD’s AC to DC converter. DC Current Transformers DCCT1 and DCCT2 sense the current generated by the optional filter. The Line Voltage Isolation board (031-01625) senses the input voltage to the system, steps the voltage down to a safe level and provides isolation between the Filter Logic board and the power mains. The Bus Isolation board (031-01624) incorporates three resistors to provide a “safe” impedance between the DC filter capacitors located on the phase bank assembly and the Filter logic board. It provides the means to sense the positive, midpoint and negative connection points of the filter’s DC link.

VSD CONTROL SYSTEM OVERVIEW

The VSD control system is composed of various components located within both the Microcomputer Control Center and the VSD, thus integrating the Control Center with the VSD Drive. The VSD system utilizes various microprocessors and Digital Signal Processors (DSPs) which are linked together through a network of parallel and serial communications links.

Micro Computer Control Center

The Microcomputer Control Center contains two boards that act upon VSD related information, the Microboard (031-01065) and the Adaptive Capacity Control board (031-01579). The ACC board performs two major functions in the VSD control system - (1) to act as a gateway for information flow between the Micro Computer Control Center and the VSD and (2) to determine the optimum operating speed and vane position for maximum chiller system efficiency by implementing a totally new and novel means of Capacity Control.

The ACC board acts as an information gateway for all data flowing between the VSD and the Control Center. The ACC board communicates serially with both the VSD logic board (via J8 on the ACC board) and the optional Harmonic Filter logic board (via J9 on the ACC board) using a pair of shielded cables. Once the information is received by the ACC board, the information is then passed on to the Microboard via two ribbon cables connecting the ACC to the Microboard (J1 and J2 on the ACC board).

In order to achieve the most efficient operation of a centrifugal compressor, the speed of the compressor must be reduced to match the “lift” or “head” of the load. This “lift” or “head” is determined by the chilled and condenser water temperatures (and their corresponding refrigerant pressures). However, if the compressor speed is reduced too much, the refrigerant gas will flow backwards against the compressor wheel causing the compressor to “surge”, an undesirable and extremely inefficient operating condition. Thus there exists one particular optimum operating speed (on the “edge” of surge) for a given head, which provides the optimum system efficiency. The compressor’s inlet guide vanes, which are used in fixed speed applications to throttle the gas flowing through the compressor, are controlled together with the compressor speed on a VSD chiller system, to obtain the required chilled water temperature while simultaneously requiring minimum power from the power system.

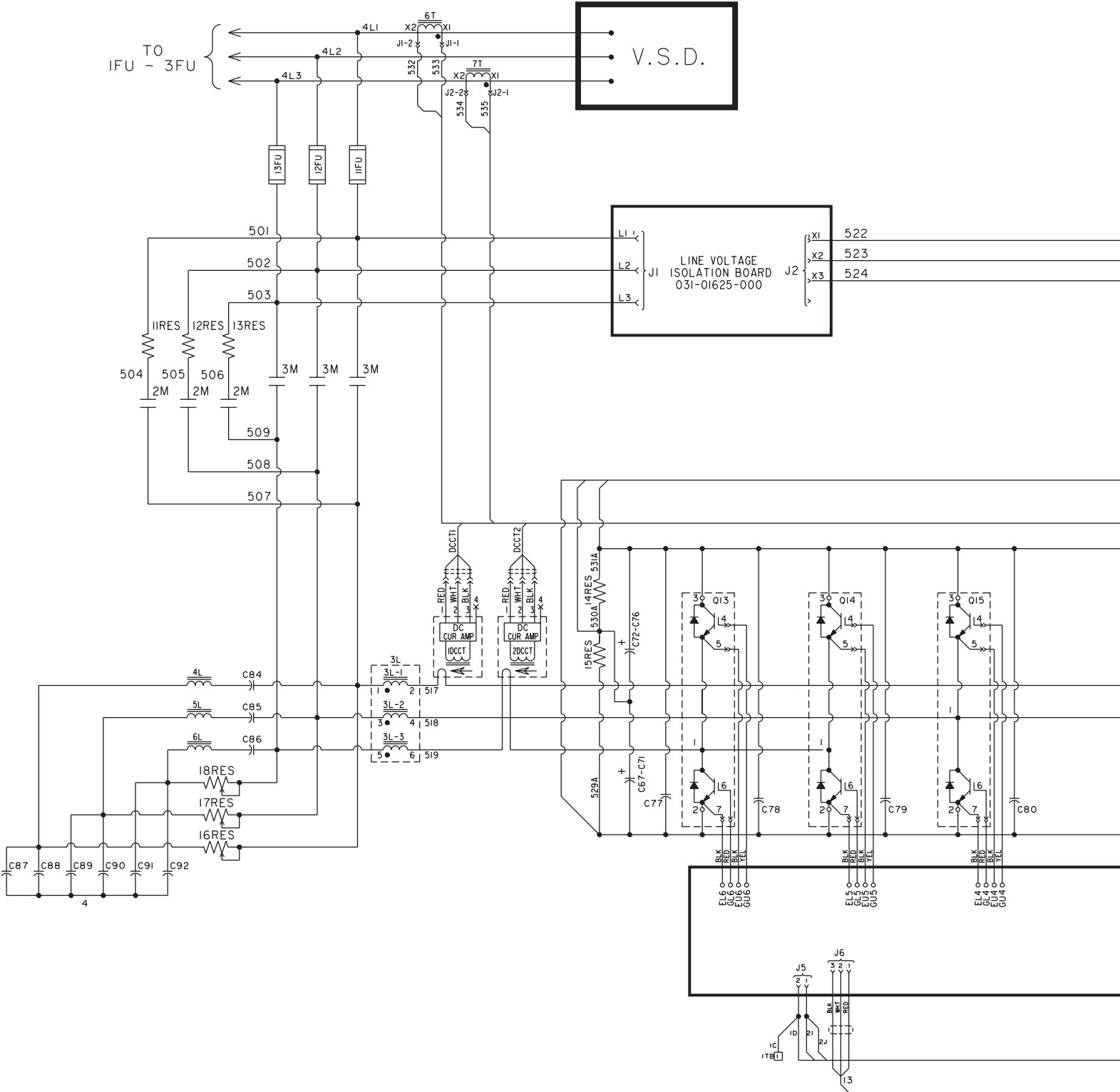
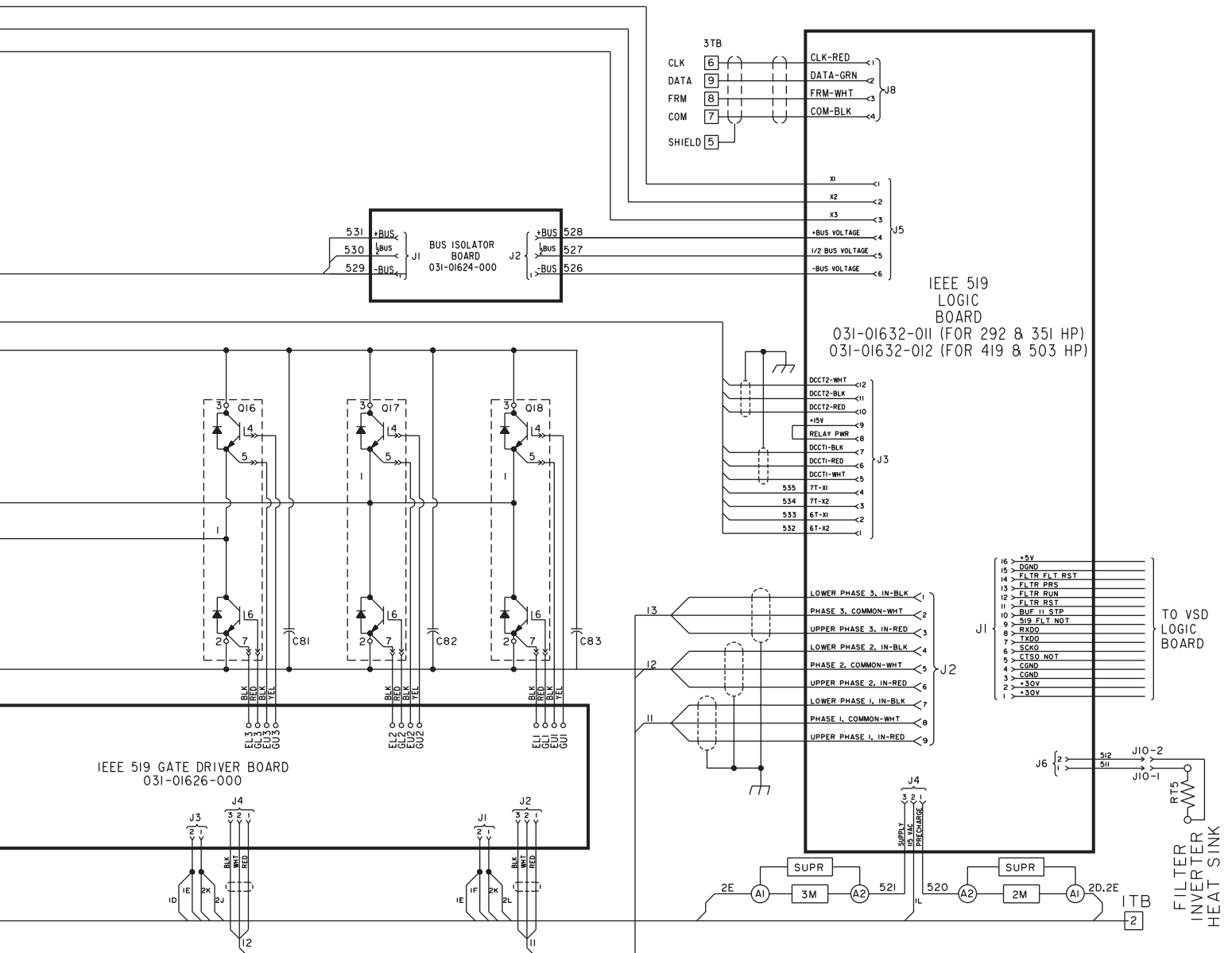


FIG. 4 – IEEE-519 FILTER OPTION



LD02725

The older Turbo-Modulator capacity control boards utilized a pre-programmed three dimensional surge surface map for each compressor/refrigerant combination; whereas the new ACC board automatically generates its own "Adaptive" three dimensional surge surface map while the chiller system is in operation. This "Adaptive" operation is accomplished through the use of a patented surge detection algorithm. The novel surge detection system utilizes pressure information obtained from the chillers' pressure transducers in combination with the VSD's instantaneous power output to determine if the system is in "surge". Thus the adaptive system permits construction of a custom compressor map for each individual chiller system. Benefits of this new adaptive system include: (1) a custom compressor map for each installation which eliminates inefficient operation due to the safety margin built into the previous programmed map controller which was necessary to compensate for compressor manufacturing tolerances (2) the ability to update the system's surge surface as the unit ages and (3) automatic updating of the compressor map if changes in refrigerant are implemented at a later date.

VSD and Optional Harmonic Filter Logic Control Boards

Within the VSD enclosure, the VSD logic board and optional Harmonic Filter logic boards are interconnected via a 16 position ribbon cable which joins the two boards together. The Filter Logic board derives its power from the VSD Logic board over this ribbon cable. In addition various logic level "handshake" signals convey the operating status of the VSD to the Filter and vice versa over this cable. Finally, the cable includes a unidirectional serial communications link which permits the transmission of a limited amount of data from the VSD to the optional Harmonic Filter.

The VSD Logic board performs numerous functions, including control of the VSD's cooling fans and pumps, control of the pre-charge contactor, control of the semi-converter gating and generation of the PWM firing pulses which are sent to the VSD gate driver and ultimately gate the IGBT's on and off.

The VSD Logic board also gathers data from the Current Transformers which monitor the three phases of motor current, the heatsink temperatures, the internal ambient temperature within the enclosure and the DC Link voltage. This data is periodically sent to the Micro Computer Control Center via the ACC board.

CONTROL PANEL VSD RELATED KEYPAD FUNCTIONS

The following keypad functions are in addition to the standard keypad functions as addressed in the standard chiller literature. The features below are present only when the control panel is configured for operation with the VSD:

Options Key – When depressed, the display will show

VSD 100% JOB FLA = ___ A. . Additional lines of display are available by scrolling, using the white key labeled, "Advance Day / Scroll". All available lines are listed below:

VSD 100% JOB FLA = ___ A.

VSD DC LINK VOLTAGE = ___ V.

VSD DC LINK CURRENT = ___ A.

VSD INTERNAL AMBIENT TEMP = ___ °F.

VSD CONVERTER HEATSINK TEMP = ___ °F.

VSD PHASE A INVERTER HEATSINK TEMP = ___ °F.

VSD PHASE B INVERTER HEATSINK TEMP = ___ °F.

VSD PHASE C INVERTER HEATSINK TEMP = ___ °F.

VSD PRECHARGE RELAY DE-ENERGIZED (or Energized)

VSD SCR GATE DRIVER DISABLED (or Enabled)

VSD COOLING PUMP STOPPED (or Running)

FILTER PRESENT (or Not Present)

When the Filter is Present, these additional lines are available by scrolling:

FILTER HEATSINK TEMP = ___ °F.

FILTER CURR: A= ___ A.; B= ___ A.; C= ___ A.

FILTER DC LINK VOLTAGE = ___ V.

INPUT PEAK V.: A= ___ V.; B= ___ V.; C= ___ V.

FILTER STOPPED (Running)

FILTER PRECHARGE RELAY DE-ENERGIZED (Energized)

FILTER SUPPLY RELAY DE-ENERGIZED (Energized)

INPUT PHASE ROTATION - ABC (CBA)

VSD Parameters Key – When this key is pressed, the VSD output frequency and voltage are displayed. Additional lines of display are available by pressing the white key labeled, "Advance Day / Scroll". All available lines are listed below:

OUTPUT FREQ ___ HZ; OUTPUT VOLTS ___ V.

OUTPUT CURR: A= ___ A.; B= ___ A.; C= ___ A.

INPUT POWER = ___ KW; KWH = _____

When the Filter is present, these additional lines are available by scrolling:

INPUT KVA = ___; TOTAL PWR FACTOR = ___
 INPUT V AB= ___ V.; BC= ___ V.; CA= ___ V.
 INPUT CURR A= ___ A.; B= ___ A.; C= ___ A.
 INPUT V THD: A= ___%; B= ___%; C= ___%
 INPUT CURR TDD%: A= ___%; B= ___%; C= ___%

Display Data Key – This key functions as normal, but offers two additional lines of display with VSD operation. After scrolling through the normal displays, these additional lines are displayed:

D-P/P= ___; PRV POS = ___%; FREQ = ___ HZ
 TOTAL ACC SURGE COUNTS = _____

VSD History Key – This key provides four historical records. Its exact operation varies, depending on the style level of the VSD and software. The two types of operation are as follows:

Original and Style “A” Units – Four previous safety / cycling messages are stored, listing the message, and indicating the historical order by placing the history number, one through four, in parenthesis after the message. Using the white key labeled, “Advance Day / Scroll”, one can view the same lines of data as are available by pressing the “Options” and “VSD Parameters” keys. The data displayed will be that recorded at shutdown, if running - or will be data from the last time the chiller ran, if the message was generated while the chiller was idle. The recording of data from the last time the chiller ran, is consistent with history data records on all previous YORK micropanel designs. Below is an example of four histories:

22 OCT 1501 SERIAL RECEIVE FAULT (1)
 21 OCT 1635 SYSTEM CYCLING - AUTOSTART (2)
 20 OCT 1000 SYSTEM CYCLING - AUTOSTART (3)
 20 OCT 0808 SYSTEM CYCLING - AUTOSTART (4)

These displays will appear sequentially while depressing the VSD History key. When the VSD History key is released, the message present at that time is maintained on the screen. With any one of these messages on the screen, the associated VSD operating data just prior to unit shutdown may be viewed by scrolling, using the white “Advance Day / Scroll” key.

Style “B” Units – For the first time, we have implemented a system which records real-time data, even if the chiller is not running. Since four power losses, or four unsuccessful attempts at starting would overwrite data from the last time the chiller ran, specific history displays have been generated as follows:

CURRENT OR LAST SYSTEM RUN DATA
 LAST SFTY / CYCL SHUTDOWN WHILE RUNNING
 SFTY / CYCL SHUTDOWN HISTORY (1)
 SFTY / CYCL SHUTDOWN HISTORY (2)

The above lines appear sequentially when the VSD History Key is depressed. When this key is released, the message being viewed at that time is maintained. Using the white “Advance Day / Scroll” key, the Display Status Message may be viewed, and by continuing to depress the white “Advance Day / Scroll” key, all VSD operating data from that instant in time may be viewed. For example, by depressing the VSD History key once, you will see:

CURRENT OR LAST SYSTEM RUN DATA

Now by depressing the white “Advance Day / Scroll” key, you might see:

21 OCT 0804 NO MALFUNCTION DETECTED

Depressing the white “Advance Day / Scroll” key again will display the first line of historical data. Continue to depress the white key to view all lines of data.

“Hidden” Key – There is an unmarked button on the face of the control panel membrane keypad, located just below the “Clock” key. When this button is pressed, you will see a display of four parameters:

DPP = X.XX; PRV = XXX%; LWTD = XX.X; FQ = XX H

- D-P/P, the ratio of the condenser pressure minus the evaporator pressure to the evaporator pressure.
- Percent Vane Position. 100% is wide open vanes.
- Delta T, the difference between the leaving water temperature setpoint and actual leaving water temperature.
- Output frequency in hertz.

VSD ADAPTIVE CAPACITY CONTROL

The new York VSD utilizes a different approach to speed reduction compared to earlier variable speed products. There is no pre-programmed surge map - our adaptive system experiments with the speed and vanes to find the optimum speed for any given condition. It does not always encounter a "Surge" in the process, but when it does, the ACC stores into memory, the conditions surrounding the Surge, and therefore remembers to avoid the stored operating point anytime in the future. This sounds a bit mysterious, but the process is really quite simple. Once you have an understanding of the steps involved, you will be able to watch the chiller adjust itself to different conditions, and understand exactly why it is performing in the manner it does.

Upon startup the chiller will always go to full speed. This is different compared to earlier systems which could go to a reduced speed if the total head across the chiller was low enough. With the VSD, the chiller will always run at fixed speed until two conditions are met. These two conditions are:

Achieve Setpoint - The leaving water temp must be within +0.3 to -0.6 of a degree from setpoint. Speed reduction will not occur until the leaving water reaches setpoint.

Achieve Stability - The leaving water temp must be stable, with the vanes not driving open or closed to maintain the temperature at this point. Lack of stability will be evidenced by the vanes hunting, the leaving water temperature varying, and the green LED on the ACC board will be on, to indicate instability.

Once the above conditions are met, the ACC begins to lower the speed 1/10 of a hertz at a time. As the ACC lowers the speed, the leaving water temperature will begin to creep up, due to the reduction in speed. As this occurs, you will see the vanes begin to open slightly, just enough to keep the leaving water temperature within the setpoint window. The ACC will continue to lower speed, with the leaving water temperature in turn driving the vanes to a more open position. This process will continue until one of three situations occur:

Vanes Full Open - Once the vanes reach the full open position, the ACC knows it can no longer reduce speed. The ACC will maintain operation at this point, with the vanes full-open, and the speed at the last point reached when the vanes hit 100%. If there is an increase in load while at this point, the ACC will increase speed until the vanes are at 95%. The ACC will then be allowed to continue to optimize the speed and vanes.

Surge is Detected - If in the process of dropping speed and opening vanes the compressor should surge, the ACC will boost the speed back up enough to get the chiller out of surge, and will store in memory the head and flow conditions present at the time of the surge. The chiller will then know not to reduce speed this low again, should the same head and flow conditions be encountered again in the future. As the chiller encounters more head and flow combinations which result in surge, it will store more points, and eventually this plotting of points creates a "Surge Map". Surges may be detected in two ways, by monitoring the pressure differential across the compressor, or by monitoring the compressor motor current. Either detection will light the Red LED on the ACC board, indicating a surge was detected. The chiller may surge 6 to 8 times before the ACC can raise the speed enough to get the chiller back out of surge. Each surge is counted on the surge accumulator, which may be called up on the panel display. This surge counter will always display the total number of surges encountered by the chiller, not the total number of surge points. Surging which occurs at fixed speed will increment the surge counter as well. We know of one chiller which ran in continuous surge for two weeks due to a cooling tower problem. The customer's fixed speed chiller was surging continuously for 2 weeks also. During this time, the VSD surge counter accumulated over 18,000 surges.

Instability is Encountered - The ACC may begin the process of reducing speed and opening the vanes, but may stop speed reduction prematurely if instability is encountered. This is the same instability discussed as one of the two conditions which must be met to begin reducing speed initially (See "Achieve Stability" above). Once the system again becomes unstable, no additional speed reduction can occur. The most common causes of instability are:

- Valves on air-handler coils causing rapid changes in heat-load.
- Extremely short chilled water loop.
- Parallel chiller with poor control is causing temperature variations.

If you experience a problem with a VSD not reducing speed at all, make certain the system is not in manual speed control, and locked into fixed speed. Refer to the section on "Manual Speed Control" in the "Frequently Asked Questions" section in Form 160.00-M1. Also,

make certain the wiring at J3 on the ACC board is properly connected per the wiring diagram in this same manual. Either situation will cause the chiller to maintain full speed.

If the VSD is reducing speed, but not running as low as you expect it should, it is likely because it is either in an unstable condition, or running just above a mapped surge point. As described above, the chiller must achieve stability, which is evidenced by the Green LED being extinguished. Instability will cause the Green LED to be illuminated. To determine if the chiller is running just above a surge point, switch the system to manual speed control, and force the speed lower by one or two hertz. If you encounter a surge, this explains why the chiller would not reduce speed. If you find the chiller does drop speed without surging, instability was likely preventing further speed reduction.

VSD DISPLAY MESSAGES

Message: **VSD SHUTDOWN - REQUESTING FAULT DATA**

This shutdown is initiated when the #53 to #16 circuit has been interrupted, and the control panel has not yet received the cause of the fault over the serial link. Whenever the VSD initiates a fault, it first opens the IIS relay in the VSD (between #53 and #16). The VSD then sends a message serially to the ACC, detailing the cause of the fault. Since the communications link loop is initiated every two seconds, the message should appear for just a few seconds and then be replaced with a VSD Fault message.

Message: **INVERTER INITIATED STOP FAULT**

Whenever the VSD initiates a fault, it first opens the IIS relay in the VSD (between #53 and #16). It then sends a message serially to the ACC, detailing the cause of the fault. If this #53 to #16 circuit ever opens without receiving an accompanying cause for the trip over the serial link (within 11 communication tries, approximately 22 seconds) this message will be displayed.

Message: **START SEQUENCE INHIBITED BY VSD**

This shutdown will occur if a VSD fault takes place during the "Start Sequence Initiated" period. The chiller is inhibited from entering the starting sequence during the time period that a VSD fault occurs. When the VSD fault is cleared the start sequence will resume.

Message: **PHASE A (OR B,C) OVERCURRENT FAULT**

This shutdown is generated by the VSD if the motor current exceeds a given limit. The motor current is sensed

by the Current Transformers on the VSD output pole assemblies and the signals are sent to the VSD logic board for processing. Maximum instantaneous permissible currents are:

351/292 HP	=	771 Amps
503/419 HP	=	1200 Amps
790/658 HP	=	1890 Amps
1100/900 HP	=	3093 Amps

If an overcurrent trip occurs, but the chiller restarts and runs without a problem, the cause may be attributed to a voltage sag on the utility power feeding the VSD that is in excess of the specified dip voltage for this product. This is especially true if the chiller was running at, or near, full load. If there should be a sudden dip in line voltage, the current to the motor will increase, since the motor wants to draw constant horsepower. The chiller vanes cannot close quickly enough to correct for this sudden increase in current, and the chiller will trip on an overcurrent fault.

If the chiller will not restart, but keeps tripping on this same shutdown, an output pole problem is the most likely culprit. The VSD most likely requires service.

Message: **PHASE A (B,C) GATE DRIVER FLT**

A second level of current protection exists on the VSD driver boards themselves. The collector-to-emitter saturation voltage of each IGBT is checked continuously while the device is being gated on. If the voltage across the IGBT is greater than a set threshold, the IGBT is gated off and a shutdown pulse is sent to the VSD logic board shutting down the entire VSD system. Be aware that a gate driver fault can be initiated when the VSD is not running.

Message: **SINGLE PHASE POWER SUPPLY**

This shutdown is generated by the SCR Trigger control and relayed to the VSD logic board to initiate a system shutdown. The SCR Trigger control uses circuitry to detect the loss of any one of the three input phases. The trigger will detect the loss of a phase within one half line cycle of the phase loss. This message is also displayed every time power to the VSD is removed or if the input power dips to a very low level. Usually it indicates that someone has opened the disconnect switch.

Message: **HIGH PHASE A (B,C) HEATSINK TEMP**

This shutdown will occur if the heatsink temperature exceeds 158°F on any of the output pole assemblies. This shutdown requires a manual reset via the Reset push-button on the VSD logic board. This shutdown will seldom occur, since in most cases where the coolant temperature has risen abnormally, the VSD will trip on "Ambient Temperature" (140°F) before the heatsinks can

reach 158°F. If this message does occur, make certain you have an adequate level of coolant, check to be sure the cooling pump is operating when the unit is running, and check the strainer in the primary of the heat exchanger for clogs and silt.

Message: HIGH CONVERTER HEATSINK TEMP

Reference “High Phase A (B,C) Heatsink Temp” above. This shutdown requires a manual reset via the Reset push-button on the VSD logic board.

Message: 105% MOTOR CURRENT OVERLOAD

This shutdown is generated by the VSD logic board and it indicates that a motor overload has occurred. The shutdown is generated when the VSD logic board has detected that at least one of the three output phase currents has exceeded 105% of the programmed 100% job full load amps (FLA) value. The 100% job FLA setpoint may be viewed by pressing the “Options” key. This shutdown requires a manual reset via the Reset push-button on the VSD logic board.

Message: BUS OVER-VOLTAGE FAULT

The VSD’s DC link voltage is continuously monitored and if the level exceeds 745 VDC, a Bus Over-Voltage shutdown is initiated. If this shutdown occurs, it will be necessary to look at the level of the 460 VAC applied to the drive. The specified voltage range is 414 to 508. If the incoming voltage is in excess of 508, steps should be taken to reduce the voltage within the specified limits.

Message: MAIN BOARD POWER SUPPLY

This shutdown is generated by the VSD logic board and it indicates that the low voltage power supplies for the logic boards have dropped below their allowable operating limits. The power supplies for the logic boards are derived from the secondary of the 120 to 24 VAC transformer (Fig. 2) which in turn is derived from the 480 to 120 VAC control transformer (Fig. 1). This message usually means that power to the VSD was removed.

Message: LOW DC BUS VOLTAGE FLT

If the DC link drops below 500 VDC (or 414 VDC for 50 HZ), the drive will initiate a system shutdown. A common cause for this shutdown is a severe sag in the incoming power to the drive. Monitor the incoming three phase AC line for severe sags and also monitor the DC link with a digital meter.

Message: BUS VOLTAGE IMBALANCE FAULT

The DC link is filtered by many large, electrolytic capacitors which are rated for 450 VDC. These capacitors are

wired in series to achieve a 900 VDC capability for the DC link. It is important that the voltage be shared equally from the junction of the center or series capacitor connection, to the negative bus and to the positive bus. This center point should be approximately ½ of the total DC link voltage. Most actual bus voltage imbalance conditions are caused by a shorted capacitor, or a leaky or shorted IGBT transistor in an output phase bank assembly. This usually indicates the VSD requires service.

Message: HIGH AMBIENT TEMPERATURE FLT

The ambient temperature monitored is actually the temperature detected by a component mounted on the VSD logic board. The high ambient trip threshold is set for 140°F. Some potential causes for this shutdown are: internal VSD fan failure, VSD water pump failure or an entering condenser water temperature which exceeds the allowable limit for the job. Additional causes for the shutdown include:

- Plugged Strainer – The standard 1.5" Y-Strainer contains a woven wire mesh element with 20 stainless-steel wires per inch. This has been found to work adequately in most applications. Some users may have very dirty condenser water which can cause the strainer to plug. Locations with special conditions may want to consider a dual strainer arrangement with quarter turn valves, to permit cleaning of one strainer with the unit still on-line.
- Plugged Heat-Exchanger – In cases where the strainer plugs frequently, the heat-exchanger eventually may plug or become restricted to the point of reduced flow. At this point we suggest you back-flush the heat-exchanger by reversing the two rubber hoses which supply condenser water to/from the heat-exchanger. If the rust or sludge cannot be back-flushed, you may need to replace the heat-exchanger.
- Low Condenser Flow – The VSD system requires 8 feet of pressure drop across the heat exchanger to maintain adequate GPM. If the pressure drop is less than 8 feet, it will be necessary to correct the flow problem, or add a booster pump as is applied on retrofit chillers.

Message: INVALID CURRENT SCALE FAULT

Since the part number of the logic board is the same on all horsepower sizes, jumpers tell the logic board the size of the VSD being employed in order to properly scale the output current. If the jumper configuration is found by the logic to be invalid, the system will be shut down and the above message will be generated. The proper jumper configuration is shown on the wiring label for the VSD.

Message: LOW (CONV, OR PHASE A,B,C) HEATSINK TEMP

A heatsink temperature sensor indicating a temperature below 37°F will cause the unit to shut down and display this message. In most cases the problem will actually be an open thermistor or broken wiring to the thermistor. The normal thermistor resistance is 10K ohms at 70°F.

Message: OUTPUT CURRENT IMBALANCE

Normally the three phases of output current will be closely balanced since the voltage being applied to the motor is derived from the same DC Link voltage and the output transistors all switch in an identical pattern. Thus most imbalances will be due to variations in the motor windings, which may be as high as 8% typically.

Message: PRECHARGE BUS V IMBALANCE

This situation is identical to the above shutdown, "Bus Voltage Imbalance Flt", except that it has occurred during the precharge period which begins during pre-lube.

Message: PRECHARGE LOW VOLTAGE FAULT

During precharge the DC Link must be equal to or greater than 50 VDC (41 VDC for 50 HZ) ½ second after the pre-charge relay is energized. The unit is shut down and this message is generated if this condition is not met.

Message: PRE-CHARGE HIGH VOLTAGE FAULT

During precharge the DC Link must reach at least 500 VDC (414 VDC for 50 HZ) 15 seconds after the pre-charge relay is energized. The unit is shut down and this message is generated if this condition is not met.

Message: PRE-CHARGE FAULT LOCKOUT

If the unit fails to make pre-charge, the pre-charge relay shall drop out for a time period of 10 seconds during which time the units fan(s) and water pump(s) shall remain energized in order to permit the pre-charge resistors to cool. Following this 10-second cool down period pre-charge shall again be initiated. The unit shall attempt to make pre-charge three consecutive times. If the unit fails to make pre-charge on three consecutive tries, the unit will shut down, lockout and display this message. In order to initiate pre-charge again, the Micropanel's rocker switch must first be placed into the STOP/RE-SET position.

Message: PWM COMMUNICATIONS FAULT

This shutdown is generated if a communications problem occurs between the two microprocessors on the VSD logic board.

Message: RUN RELAY FAULT

Redundant run signals are generated by the Micropanel, one via wire #24 and the second via the serial communications link. Upon receipt of either of the two run commands by the VSD logic board, a 5-second timer shall commence timing. If the missing run command is not asserted within the 5-second window the unit will shut down and the Micropanel will display the message Run Relay Fault. This shutdown could occur if there is a problem with the wiring between the control panel and the VSD.

Message: SERIAL RECEIVE FAULT

This message is generated when communications between the ACC and VSD logic is disrupted. Check the shielded cable between J11 on the VSD logic and J8 on the ACC board. If all wiring is intact, this problem may also be caused by electrical noise.

Message: VSD INITIALIZATION FAILED

At power-up, all the boards go through a process called initialization. At this time, memory locations are cleared, jumper positions are checked, and serial communications links are established. There are many causes for an unsuccessful initialization. The following check-list should aid in determining why initialization has not completed:

- The Micro-Panel and the VSD must be energized at the same time. The practice of pulling the fuse in the control panel to make wiring changes will create a problem. Power-up must be done by closing the main disconnect on the VSD cabinet with all fuses in place. Be sure you do not have a blown fuse, causing loss of power to the VSD logic board.
- The EPROMs must be correct for each board, and they must be correctly installed. There are a total of seven (7) EPROMs in each VSD - Micropanel system. These EPROMs are created as a set, and cannot be intermixed between earlier and later styles of units. Also, the ACC EPROM must be in the ACC board, and the Micropanel EPROM in the Microboard, etc. All pins must be properly inserted into the EPROM sockets.
- Serial data communications must be established. See the write ups for the messages, "Serial Receive Fault" and "FLTR Serial Receive Fault" (Pages 13 & 16). If communications among the VSD logic, the filter logic, the ACC and the Microboard does not take place at initialization, the "VSD Initialization Failed" message will occur before any other message can be generated. You can check to see that serial communications have been established by

pressing the OPTIONS key and noting the %Job FLA value displayed. A zero displayed value for this parameter (and all other VSD parameters) indicates a serial communications link or EPROM problem.

- If the IEEE-519 Filter option is included, make sure the '519' Logic board is not in continuous reset. This will be evidenced by the LEDs on the filter logic board alternately blinking. To rule out the '519' filter as the cause of initialization failure, you can disconnect the filter by switching the filter logic board's SW1 switch to the OFF position, and removing the 16 wire ribbon cable between the '519' logic and VSD logic boards.

Message: FLTR HEATSINK OVERTEMP FLT

The '519' filter power assembly has one heatsink thermistor on the 351 & 503 HP units, and two heatsink thermistors on the 790 HP units. If the temperature on any heatsink exceeds 167 °F, the unit will shut down, and require a manual reset by pressing the "Overtemp Reset" pushbutton located on the Filter Logic board. This message is usually an indication that the level of coolant in the closed loop system on the back of the VSD is low.

Message: FLTR BUS OVER-VOLTAGE FLT

The harmonic filter's DC link voltage is continuously monitored and if the level exceeds a level of 860 VDC a Filter Bus Over-Voltage shutdown is initiated. Keep in mind that the harmonic filter has its own DC bus as part of the filter power assembly, and this DC Link is not connected in any way with the drive's DC Link. If this shutdown occurs, it will be necessary to look at the level of the 460 VAC applied to the drive. The specified voltage range is 414 to 508. If the incoming voltage is in excess of 508, steps should be taken to reduce the voltage within the specified limits. The cause of this message will typically be high line voltage, or a surge on the utility supply.

Message: FLTR LOW BUS VOLTAGE FLT

The harmonic filter dynamically generates its own filter DC link voltage by switching its IGBT's. This DC level is actually higher than the level that one could obtain by simply rectifying the input line voltage. Thus the harmonic filter actually performs a voltage "boost" function. This is necessary in order to permit current to flow into the power line from the filter when the input line is at its peak level. This particular shutdown and its accompanying message is generated if the filter's DC link voltage drops to a level less than 60 VDC below the filter DC link voltage setpoint. The filter DC link voltage setpoint is determined by the filter logic board via the sensing of the

three phase input line-to-line voltage. This setpoint is set to the peak of the sensed input line-to-line voltage plus 32 volts, not to exceed 760 volts and varies with the input line-to-line voltage. If this shutdown occurs occasionally, the likely cause is a severe sag in the input line voltage. A power monitor should be installed to determine if a power problem exists.

Message: FLTR PHASE A (B,C) OVERCURRENT

The maximum instantaneous harmonic filter current is monitored and compared against a preset limit. If this limit is exceeded, the unit is shut down and this message is generated. The filter current is monitored using two DCCTs and these signals are processed by the filter logic board. The preset limits are as follows:

351/292 HP	=	378 Amps
503/419 HP	=	523 Amps
790/658 HP	=	782 Amps
1100/900 HP	=	1225 Amps

If you experience this shutdown and the VSD auto-restarts and continues to run properly with the filter operating, it is likely the filter tripped on Overcurrent due to a sag or surge in the voltage feeding the chiller. If this message re-occurs, preventing the unit from being restarted, the VSD will require service.

Message: FLTR PHASE LOCK LOOP FLT

This shutdown indicates that a circuit called a "phase locked loop" on the filter logic board has lost synchronization with the incoming power line for a period of time. This is normally an indication that one of the filter's incoming power fuses is blown. Check filter power fuses 11FU, 12FU and 13FU if this shutdown occurs.

Message: FLTR POWER SUPPLY FLT

This shutdown indicates that the low voltage power supplies on the filter logic board have dropped below their permissible operating voltage range. The filter logic board receives its power from the VSD logic board via the ribbon cable which connects the two boards.

Message: FLTR BUS V IMBALANCE FLT

The filter DC link is filtered by large, electrolytic capacitors which are rated for 450 VDC. These capacitors are wired in series to achieve a 900 VDC capability for the DC link. It is important that the voltage be shared equally from the junction of the center or series capacitor connection, to the negative bus and to the positive bus. This center point should be approximately ½ of the total DC link voltage.

Message: FLTR PCHARGE LOW BUS V FLT

During pre-charge the filter's DC link must be equal to or greater than 50 VDC (41 VDC for 50 HZ) 1/10 second after the filter pre-charge relay is energized. The unit is shut down and this message is generated if this condition is not met. If this shutdown occurs, check the filter pre-charge relay, filter pre-charge resistors, and the wiring between the filter logic board and the filter pre-charge relay.

Message: FLTR PCHARGE HI BUS V FLT

During pre-charge the filter's DC Link must reach at least 525 VDC (425 VDC for 50 HZ) 5 seconds after the filter pre-charge relay is energized. The unit is shut down and this message is generated if this condition is not met. If this shutdown occurs, check the filter pre-charge relay, filter pre-charge resistors, and the wiring between the filter logic board and the filter pre-charge relay.

Message: FLTR OVERLOAD FLT

The three phases of RMS filter current are monitored and if the level of any one of the three phases continuously exceeds a given threshold for seven seconds, unit shutdown is initiated and this message is displayed. The maximum permissible continuous RMS current ratings for the harmonic filters are as follows:

351/292 HP	=	128 Amps
503/419 HP	=	176 Amps
790/658 HP	=	277 Amps
1100/900 HP	=	385 Amps

Message: FLTR HIGH TDD FLT

This shutdown indicates that the filter is not operating correctly and the input current to the VSD/filter system is not sinusoidal. This shutdown will occur if the TDD exceeds 25% continuously for 45 seconds. TDD is an acronym for Total Demand Distortion, a term defined by the IEEE Std 519-1992 standard as "the total root - sum - square harmonic current distortion, in percent of the maximum demand load current (15 or 30 min demand)". In the filter option supplied by York, the displayed TDD is the total RMS value of all the harmonic current supplied by the power mains to the VSD system divided by the job FLA of the VSD, in percent. The harmonic filter option was designed to provide an input current TDD level of 8% or less for the VSD system. A standard VSD less the optional filter typically has an input current TDD level on the order of 28 - 30%.

Message: WARNING - FILTER DATA LOSS

This message is displayed if the communications link between the VSD logic board and the filter logic board, or the communications link between the filter logic board and the ACC board is interrupted. This message can

also occur as a background message when the chiller is running. When this message is displayed all filter related parameters are replaced with X's. If communications is re-established, the message will disappear, and normal values will again be displayed.

Message: FILTER DCCT 1 (OR 2) ERROR

During initialization, with no current flowing through the DCCT's, the DCCT output voltages are measured and compared with a preset limit via the filter logic board. If the measured values exceed the preset limits, the DCCT's are presumed to be bad and this shutdown will be generated.

Message: FLTR RUN RELAY FLT

When a digital run command is received at the filter logic board from the VSD logic board via the 16 position ribbon cable, a 1/10 second timer is begun. A redundant run command must also occur on the serial data link from the VSD logic board via the ribbon cable before the timer expires or the unit will be shut down and this message will be displayed.

THE FOLLOWING MESSAGES PERTAIN TO ORIGINAL AND "STYLE A" UNITS ONLY:**Message: FLTR CO-PROCESSOR FLT**

This message indicates a clock timing problem has occurred on the filter logic board.

Message: FLTR SW-BACKGRND FLT

(or, **FLTR SW-PRECHARGE LOOP FLT** on early units)
This message means the software did not complete the program loop in the allotted time. This is a watchdog timer function on the Filter Logic board.

Message: FLTR +15 V POWER SUPPLY FLT

This message indicates a failure of a low voltage DC regulator on the filter logic board.

Message: FLTR -5 V POWER SUPPLY FLT

This message indicates a failure of a low voltage DC regulator on the filter logic board.

Message: FLTR -15 V POWER SUPPLY FLT

This message indicates a failure of a low voltage DC regulator on the filter logic board.

Message: FLTR THERMISTOR SUPPLY FLT

This message indicates a failure of a low voltage DC regulator on the filter logic board.

Message: FLTR LOW HEATSINK TEMP FLT

The temperature as measured by the filter's thermistor (2 thermistors on 790 HP) has dropped below 37°F. This may be caused by an unplugged thermistor, loose connections, or a wire pinched against the chassis. An open circuit will simulate a temperature of 32°F.

Message: FLTR A/D CONVERTER FLT

The '519' Filter logic does a check where it looks at ground and converts the voltage to a digital value. This level should be zero. However if there is electrical noise present on ground, this value will be greater than zero, and this fault message may appear.

Message: FLTR INPUT FREQUENCY FLT

The input frequency as measured by the Filter Logic, is outside the acceptable range of +/- 1 Hertz.

Message: FLTR HIGH INPUT V FLT

The input voltage as measured phase-to-ground, and in "peak" volts, must not exceed 424.6 Volts peak. If exceeded for over 30 seconds, this message will be generated. The normal cause will be a high utility voltage, greater than 500 VAC on a 460 VAC system.

Message: FLTR TRIANGLE WAVE FLT

This message was intended as a check of the '519' logic board's internal triangle waveform generator. However the accuracy of the measuring circuit on the board can have as much error as the generator it is trying to measure, resulting in nuisance shutdowns. If this message occurs repeatedly, it can be corrected by installing a special EPROM.

Message: FLTR SERIAL RECEIVE FAULT

is a message which would occur on some early installations with the IEEE-519 Filter option. It is related to the level of electrical noise picked up on the serial communications lines.

Message: FLTR PHASE ROTATION FLT

The filter determines phase rotation upon receiving a run signal. Once determined, the phase rotation must remain constant for 30 line cycles. If not, this message will be generated. The most likely cause of this message would be an interruption in utility power supplying the VSD.

Message: FILTER DSP FAULT

On initialization, the Filter logic writes all zero's to DSP memory, and then writes all one's to the same memory. If any error occurs during read-back, this message is generated.

Message: FILTER MEMORY FAULT

On initialization, the Filter logic writes all zero's to External memory, and then writes all one's to the same memory. If any error occurs during read-back, this message is generated.

NOTES

