



**MODEL YT (STYLE J)
CENTRIFUGAL LIQUID CHILLERS**

RENEWAL PARTS

Supersedes: 160.55-RP1 (105)

Form 160.55-RP1 (307)

OPTIVIEW™ CONTROL CENTER

371-02264-104

371-02486-104

371-02448-104

371-02264-105

371-02486-105

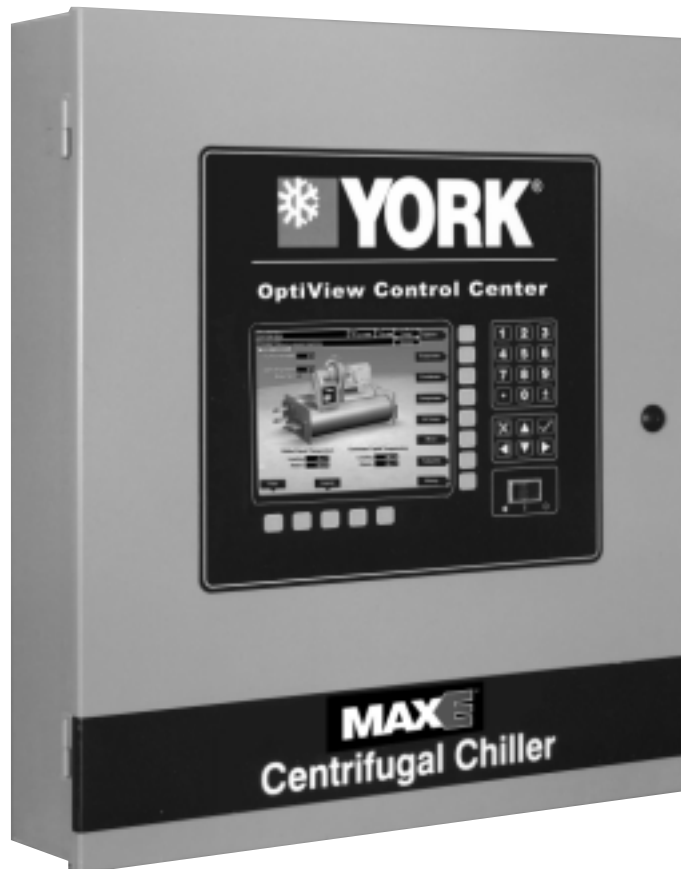
371-02448-105

371-02264-106

371-02486-106

371-02448-106

**MODEL YT
(STYLE J)**



ITEM	DESCRIPTION	FIG. NO.	QTY	PART NO.
1	TERMINAL BLOCK (NEMA 1, 4, 12) (CE)	2 2	1	025-33290-000 025-34121-000
2	INPUT/OUTPUT BOARD	2	1	031-01743-001
3	MICROBOARD The Control Center could be equipped with one of the following microboards, depending upon the vintage of the Control Center. Regardless of which board is present, order part number 331-02430-602 (replacement microboards cannot be ordered by the basic board part number of 031-02430-000). 031-01730-000 - supplied in new production chillers until August 2003. Uses BIOS Eprom (item 14), BRAM (item 28) and Flash Memory Card (item 20). Part number 331-02430-602 is supplied as service replacement for this board. 031-02430-000 - supplied in new production chillers and as replacement part 331-02430-602 after August 2003. The board is supplied pre-programmed with the latest version of the YT chiller "Controls" Software and it comes equipped with a BRAM (U38) (item 58) and BIOS Eprom (U37) (item 57). It is shipped with a label on the outside of the shipping box that lists the part number of the pre-programmed Microboard (331-02430-602), the basic Microboard part number (031-02430-000) and the version of the "Controls" software (for example, C.OPT.02.05.301) that the board has been programmed with. This board is provided as service replacement for microboards 031-01730-000 and 031-02430-000.	2	1	331-02430-602
4	POWER SUPPLY	2	1	025-34111-000
5	TRANSFORMER	2	1	025-30889-000
6	KEYPAD (NEMA 1) (NEMA 4/12 & CE)	1 1	1	024-30993-000 024-30994-000
7	FUSE, 5A	2	1	025-14019-000
8	FASTENER, PAWL, ADJUSTABLE (NEMA 1)	1	1	021-17252-000
9	SWITCH ROCKER (NEMA 1)	1	1	024-23143-000
10	DISPLAY KIT (See Note 1)	8	1	331-01771-000
11	COVER, DISPLAY	8	1	071-02264-346
12	CABLE, RIBBON (NEMA 1) (NEMA 4/12 & CE)	2 2	1	031-01772-000 031-02015-000
13	CABLE, RIBBON	2	1	031-01779-000
14	EPROM, BIOS (U45) Used on Microboard 031-01730-000 only. Not compatible with Microboard 031-2430-000. *IMPORTANT! Flash Memory Card version C.MLM.02.00 CANNOT be used with this Eprom. The chiller will not run with this combination. The Flash Memory Card must be upgraded to version C.MLM.02.01 or later (ie; .02, .03, etc.). Refer to Item 20.	2	1	031-01796-002*
15	FUSEHOLDER (For Item 16)	2	1	025-13991-000
16	FUSE, 15A	2	1	025-14384-000
17	FUSEHOLDER (For Item 7)	2	1	025-13991-000
18	CABLE, RIBBON [EM START & S.S.S. (MOD. A) ONLY]	3	1	031-01799-000
19	CABLE, SHIELDED (VSD APPLICATION ONLY)	2	1	571-02264-411

ITEM	DESCRIPTION	FIG. NO.	QTY	PART NO.
20	FLASH MEMORY CARD, PROGRAMMED (U46) Used on Microboard 031-01730-000 only. Not compatible with Microboard 031-2430-000. Refer to Note 5 for version analysis. VERSION C.MLM.nn.nn.nnn Allows Display Screens to be displayed in English, Chinese, Traditional, Chinese Simplified, French, Portuguese or Spanish language. Supplied in new NEMA 1-4 OptiView Control Centers.	2	1	031-02004-001
	VERSION C.MLM.nn.nn.nnn Allows Display Screens to be displayed in English or French Language. Supplied in new CE OptiView Control Centers.			031-02004-002
21	SWITCH, KNOB SELECTOR (NEMA 4/12, CE)	5	1	024-30931-000
22	CONTACT BLOCK (NEMA 4/12, CE)	5	2	024-30932-000
23	BUSS BAR (GROUND) (NEMA 4/12, CE)	7	1	025-34122-000
24	SUPPRESSOR (See Note 3)		6	031-00808-000
25	CONTROL, CURRENT MOD. CM-2 (Electro-Mechanical Starter App. Only)	3	1	031-00947-000
26	DIODE BRIDGE (Electo-Mechanical Starter App. Only)	3	1	031-00210-000
27	RESISTOR, VARIABLE (Electo-Mechanical Starter App. Only)	3,10	2	025-20789-000
27A	RESISTOR ASSEMBLY (Includes both resistors configured for installation)	3,10	1	575-00364-001
28	IC, BRAM-U52 Used on Microboard 031-01730-000 only. Not compatible with Microboard 031-2430-000	2	1	031-02028-000
29A	TRANSDUCERS CONDENSER (STRAIGHT THREADS)			025-29148-019
29B	EVAPORATOR (STRAIGHT THREADS)			025-29148-102
29C	PURGE (NPTF)			025-29148-008
29D	OIL PRESSURE (LOW SIDE) (NPTF)			025-29148-003
29E	OIL PRESSURE (HIGH SIDE) (NPTF)			025-29148-004
29F	SEAL, O-RING, (For Items 29A and 29B)			028-12961-002
30A	THERMISTORS ENTERING CHILLED WATER TEMPERATURE		1	025-29964-000
30B	LEAVING CHILLED WATER TEMPERATURE		1	025-29964-000
30C	SENSOR WELL WITH THREADED TOP		1	026-32328-000
30D	ENTERING CONDENSER WATER TEMPERATURE		1	025-29964-000
30E	LEAVING CONDENSER WATER TEMPERATURE		1	025-29964-000
30F	OIL TEMPERATURE (Straight threads W/ O-ring)		1	025-31301-000
30G	DISCHARGE TEMPERATURE		1	025-28936-000
30H	SEAL, O-RING, (For Item 30F)		1	028-12961-004
31	BOARD, ADAPTIVE CAPACITY CONTROL (VSD App. Only) See 160.00-RP4 & 160.00-RP2	2	1	—
32	CIRCUIT BREAKER, POLE, 6A (CE)	7	1	024-30935-000
33	SWITCH, DISCONNECT (CE)	7	1	024-34171-000
34	CIRCUIT BREAKER, 25A (CE)	7	1	024-30956-000
35	CIRCUIT BREAKER 16A (CE)	7	1	024-30947-000

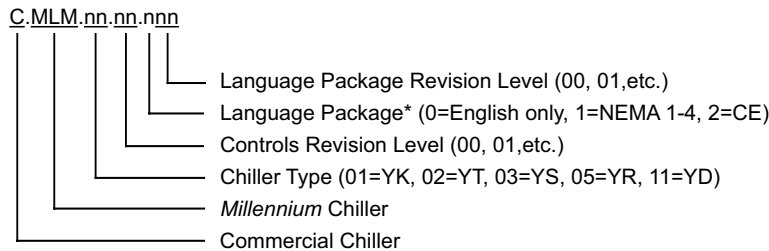
ITEM	DESCRIPTION	FIG. NO.	QTY	PART NO.
36	CIRCUIT BREAKER (CE)	7	1	02-30936-000
37	MOUNT, ANTI-VIBRATION	2	4	021-19191-000
38	BACKLIGHT BULB	8	1	See Note 4
39	BACKLIGHT INVERTER BOARD	8	1	See Note 4
40	BACKLIGHT INVERTER BOARD RIBBON CABLE	8	1	See Note 4
41	DISPLAY INTERFACE BOARD	8	1	See Note 4
42	DISPLAY INTERFACE BOARD RIBBON CABLE	8	1	031-01769-000
43	STRIP, NEOPRENE	8	2.8 FT	028-07533-000
44	MICROGATEWAY (OPTIONAL) (Refer to the YORK CONTROL SYSTEMS Web Site.)	2	1	—
45	ANALOG I/O BOARD (OPTIONAL) (HOT GAS BYPASS CONTROL)	2	1	371-02514-000
46	EVAPORATOR REFRIGERANT TEMPERATURE SENSOR		1	025-34159-000
46A	SEAL, O-RING, (For Item 46)		1	028-12961-004
47	DROP LEG THERMISTOR		1	025-29964-000
48	WIRING HARNESS, 8 inch, Power supply to Microboard J1 12 inch			571-02264-272 571-03774-272
49	FUSE, F1 & F2, 5 AMP (revision E and later 031-01730-000 Microboards and all 031-02430-000 Microboards)	2	1	025-34592-000
50	FUSE, 5A (4FU, 6FU)	2	2	025-15759-000
51	FUSE, 4A (5FU)	2	1	025-34566-000
52	FUSEHOLDER (For Items 50 and 51)	2	1	025-34565-000
53	RS-485 Driver IC. U53, U54, U91 on 031-01730-000 Microboard. U45, U46, U47 on 031-02430-000 Microboard (supplied in package of 4 each)	2	3	031-02074-000
54	HOUSING, CONNECTOR P8, 22 position	2	1	025-34117-000
55	HOUSING, CONNECTOR P9, 20 positions	2	1	025-34116-000
56	CONTACTS, SOCKETS for P8, P9	2	42	025-28386-000
57	EPROM, BIOS (U37) Used on Microboard 031-02430-000 only. Not compatible with Microboard 031-01730-000. Refer to note 6 for version analysis.	2	1	031-02429-001
58	BRAM (U38) Used on Microboard 031-02430-000 only. Not compatible with Microboard 031-01730-000	2	1	031-02431-000
59	Program Card Used to download YT chiller operating program into 031-02430-000 Microboards. Contains the YT chiller operating program. Refer to note 7 for version analysis.	6	1	031-02469-001
60	CONTROL LOGIC - 7LK (MOD A Solid State Starter Retrofit App. only)	9	1	031-00936-002
61	CONTROL LOGIC - 14LK (MOD A Solid State Starter Retrofit App. only)	9	1	031-00936-003
62	CONTROL LOGIC - 26LK (MOD A Solid State Starter Retrofit App. only)	9	1	031-00936-004
63	CONTROL LOGIC - 33LK (MOD A Solid State Starter Retrofit App. only)	9	1	031-00936-005

NOTES:

1. The replacement Liquid Crystal Display supplied by YORK might not be by the same manufacturer as the original Display. Each Display requires a specific Display Interface Board (Item 41), Backlight Inverter Board (Item 46), and Backlight Inverter Board ribbon cable (Item 40). Therefore, the Liquid Crystal Display is not available separately. **Service replacement Displays or supporting components must not be arbitrarily selected! Non-compatibility of components will result in incorrect operation!** To assure compatible supporting components, the Display is supplied as a kit (331-01771-000), which contains a replacement Display and all compatible supporting components on a mounting plate. For future reference, a label attached to the side of the mounting plate (Fig. 9) lists the YORK part numbers of these compatible components and the required configuration of the Microboard Program Jumpers. These Program Jumpers must be configured for this Display by a qualified Service Technician following instructions in YORK Service manual 160.54-M1. The contents of the kit are as follows:
 - a. Liquid Crystal Display
 - b. Backlight Bulb (Item 38)
 - c. Appropriate Display Interface Board (Item 41) for Display
 - d. Appropriate Display Interface Board ribbon cable (Item 42) for Item 41.
 - e. Appropriate Backlight Inverter Board (Item 39) for Display.
 - f. Appropriate Backlight Inverter Board ribbon cable (Item 40) for Item 39.
 - g. All mounting hardware.
 - h. Installation instructions.
2. **IMPORTANT!** Revision "E"(and later) boards require BIOS Eprom 031-01796-002 (supplied with revision "E" and later boards). If Flash Memory Card 031-02004-001 is used, it **MUST** be version C.MLM.02.01 or later (ie: .02, .03, etc). The latest version of this Memory Card is supplied with the replacement board. The chiller will not run with C.MLM.02.00 in a revision "E" board.

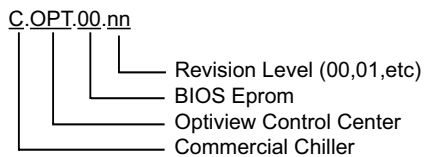
Return all unused Flash memory Cards with Warranty return boards.

3. Extra Suppressors are shipped in cloth bag. They are applied at solenoids and relays located on chiller.
4. Refer to label (Fig. 9) on Display mounting plate for YORK part number of applicable replacement part. **Service replacement Display supporting components must not be arbitrarily selected! Non-compatibility of components will result in incorrect operation!**
5. Flash Memory Card (Item 20) version analysis:

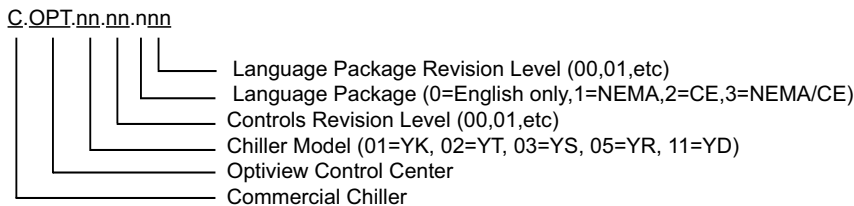


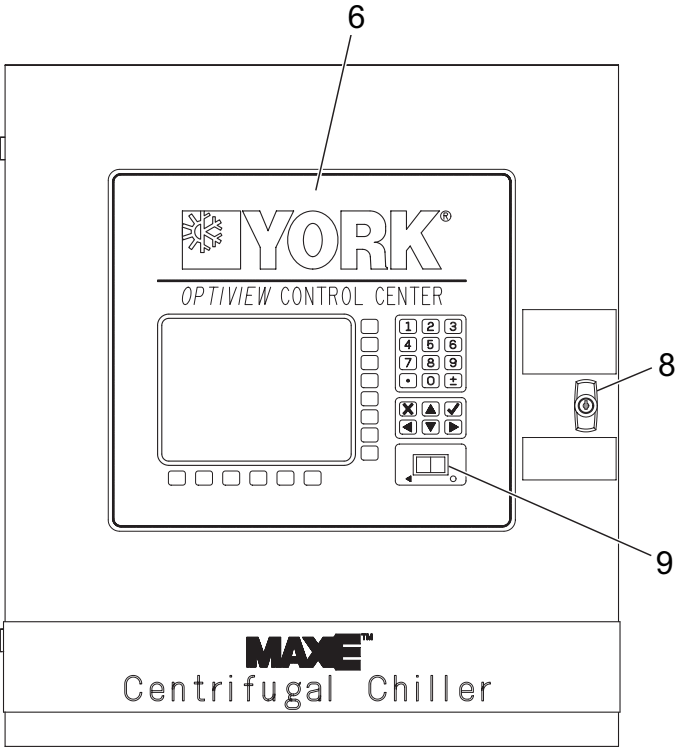
*1 = Supplied in new NEMA 1-4 OptiView Control.
 2 = Supplied in new CE (European Community) OptiView Control Centers.

6. BIOS Eprom (item 57) version analysis:



7. Program Card (item 59) version analysis:





LD10326

FIG. 1 – FRONT OF OPTIVIEW CONTROL CENTER

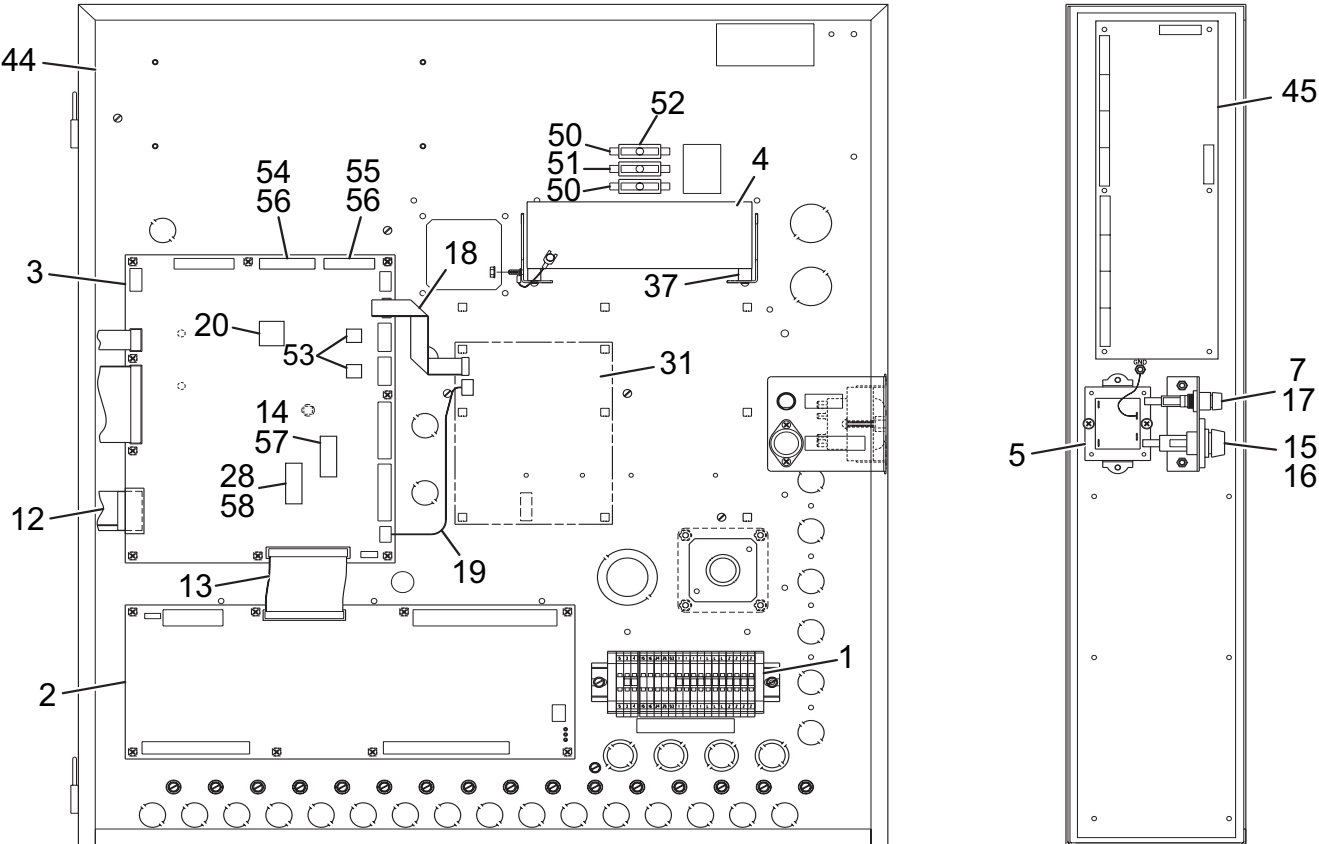


FIG. 2 – INSIDE OF CONTROL CENTER

LD10440

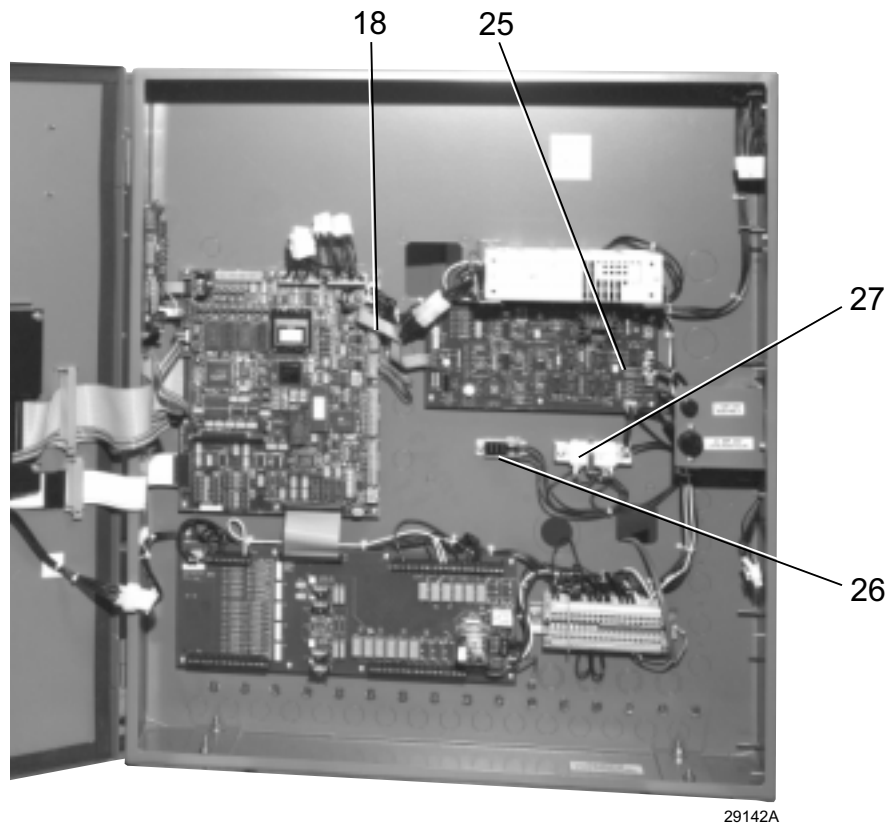


FIG. 3 – ELECTRO-MECHANICAL STARTER APPLICATIONS

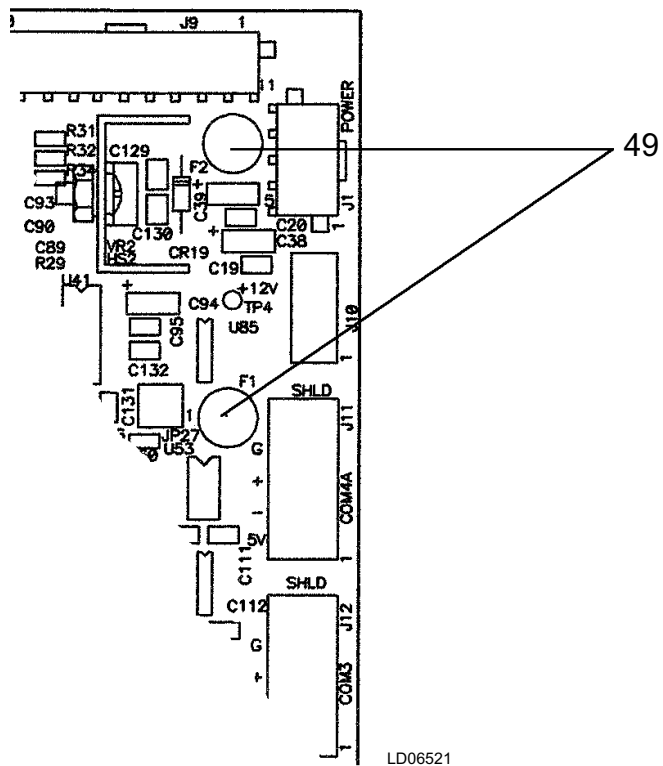


FIG. 4 –All 031-02430-000 Microboards and 031-01730-000 Microboards that are revision E and later (ref item 3)

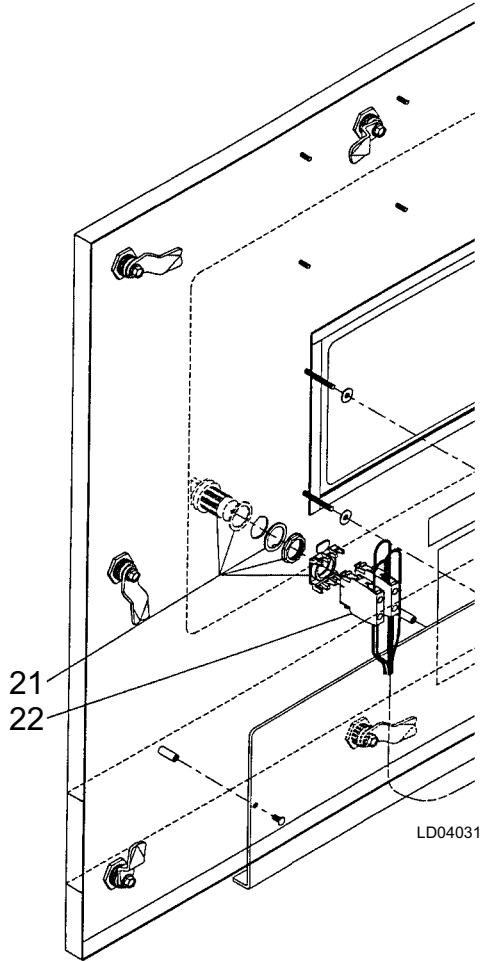
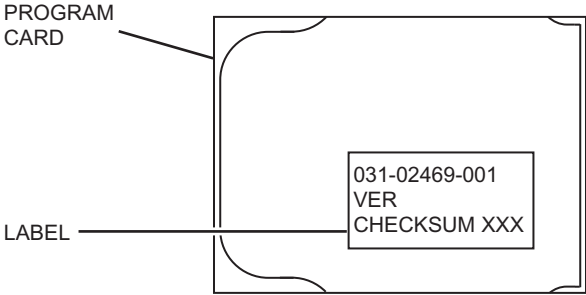
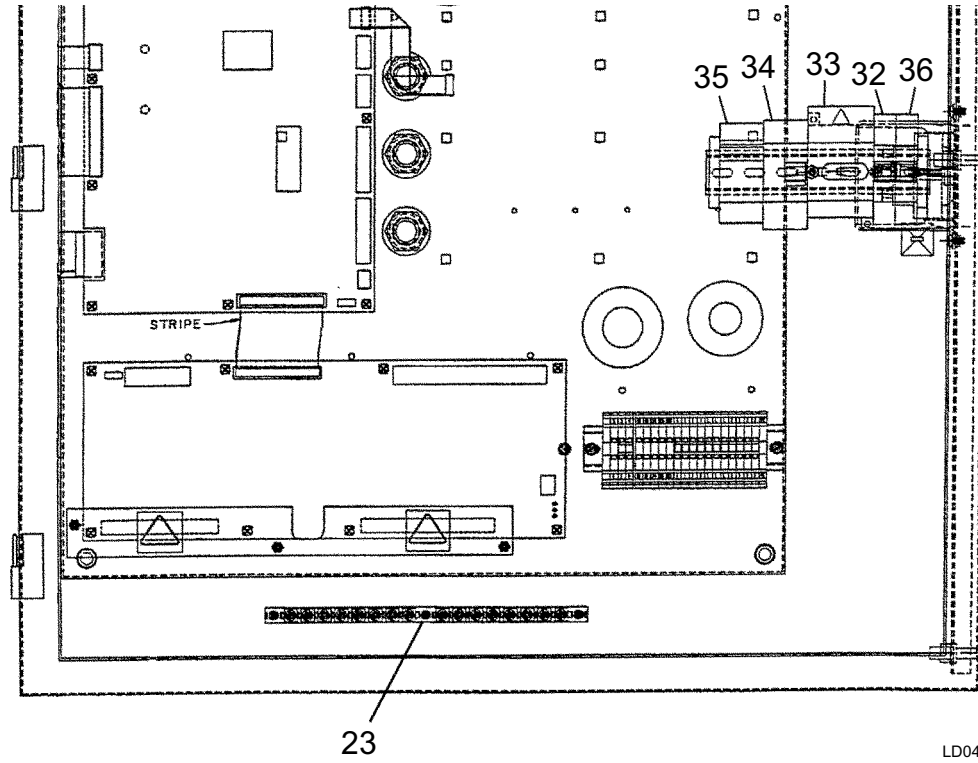


FIG. 5 – INSIDE OF DOOR - NEMA 4/12, CE



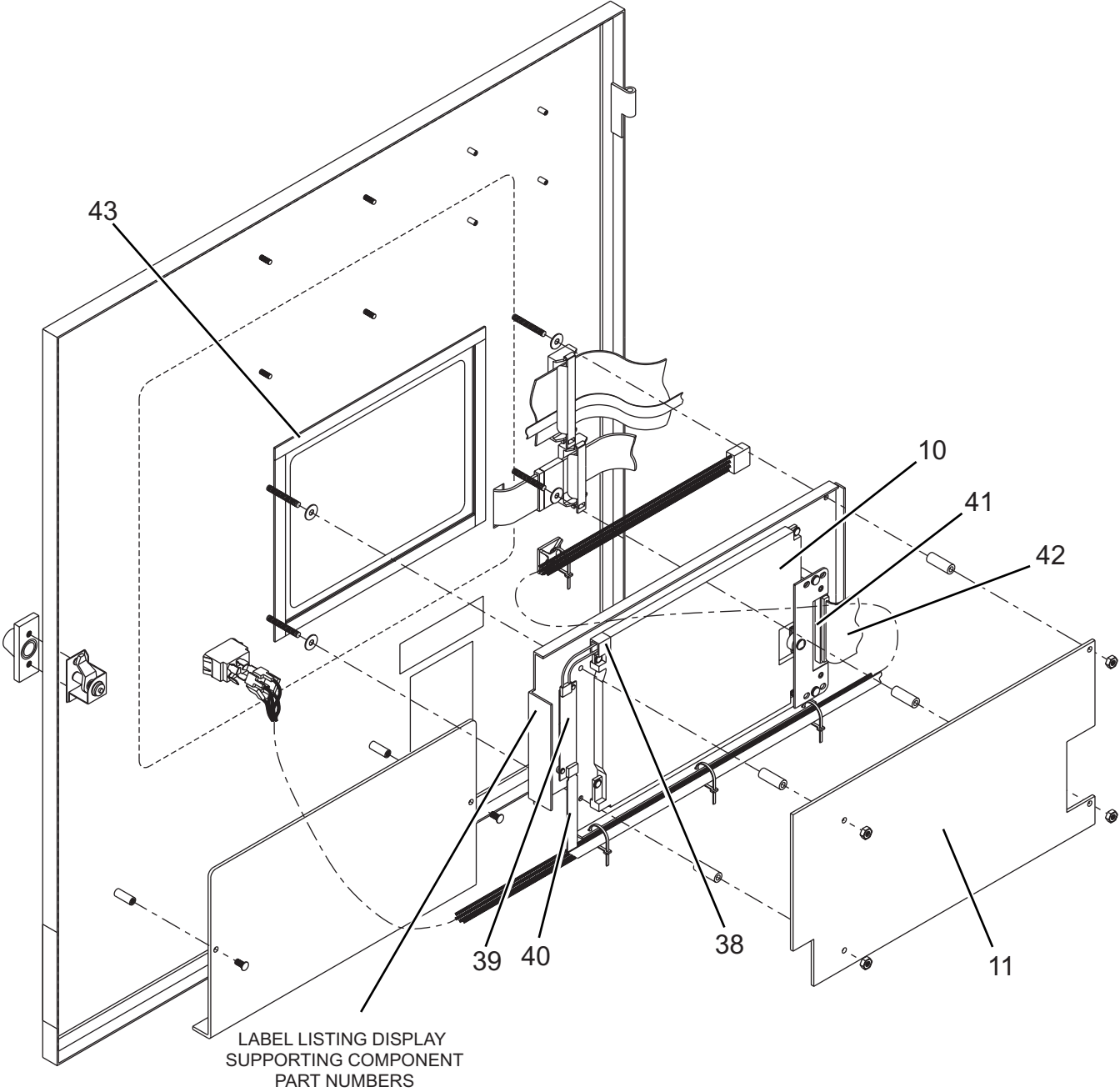
LD09229

FIG. 6 – PROGRAM CARD



LD04653

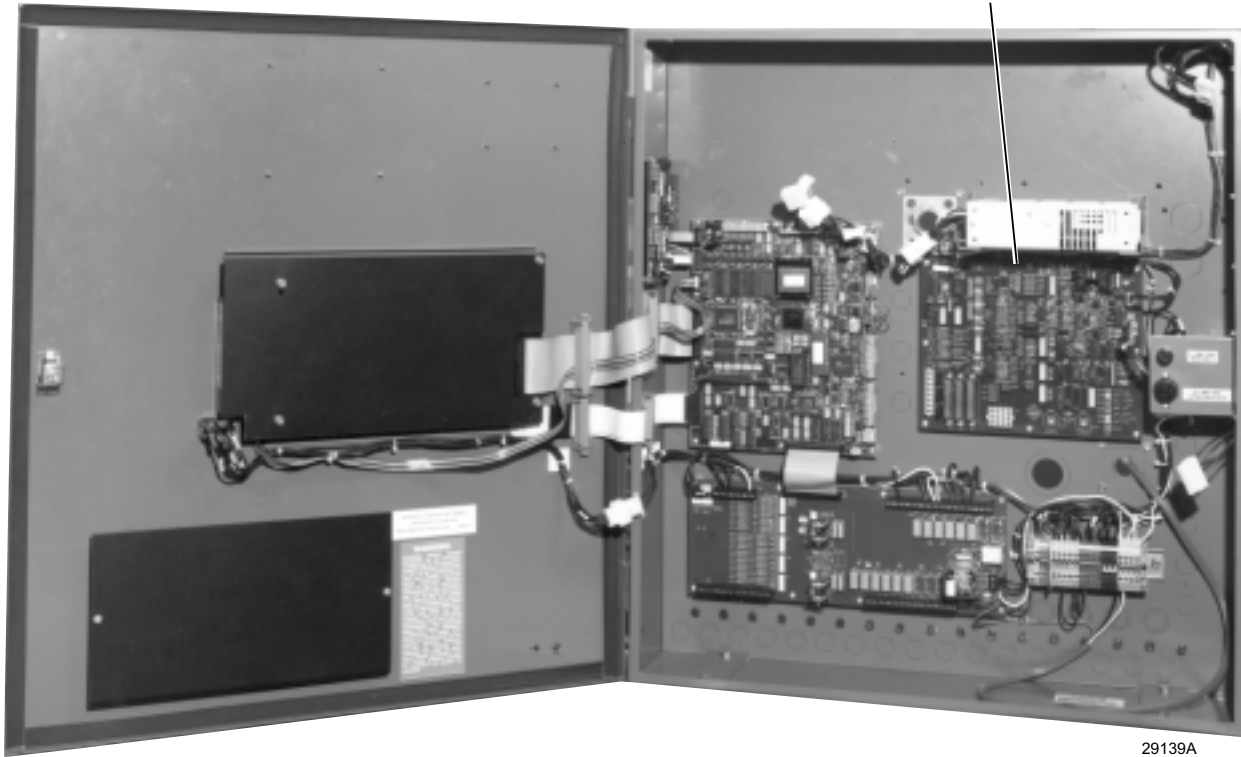
FIG. 7 – INSIDE OF CONTROL CENTER - NEMA 4/12, CE



LD10439

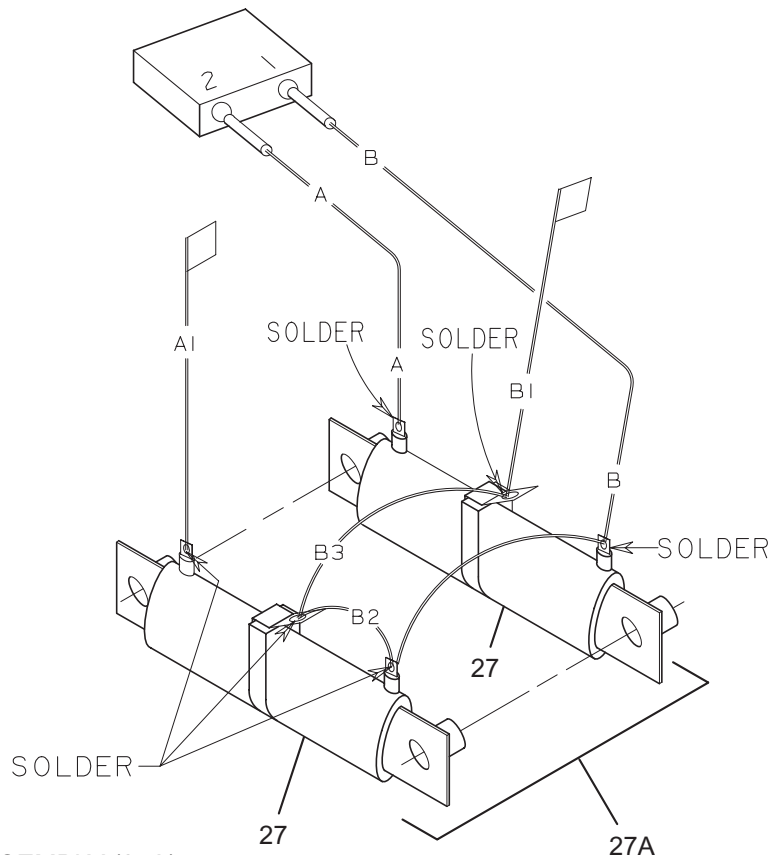
FIG. 8 – DISPLAY COMPONENTS (See Notes 1 & 4, Page 4)

- 60 – 7LK
- 61 – 14LK
- 62 – 26LK
- 63 – 33LK



29139A

FIG. 9 – MOD A SOLID STATE STARTER (RETROFIT APPLICATION ONLY)



LD10329

FIG. 10 – RESISTOR ASSEMBLY (27A)



P.O. Box 1592, York, Pennsylvania USA 17405-1592
Copyright © by Johnson Controls 2007
Form 160.55-RP1 (307)
Replaces 160.55-RP1 (105)

Tele. 800-861-1001
www.York.com

Subject to change without notice. Printed in USA
ALL RIGHTS RESERVED