



**MILLENNIUM™
CENTRIFUGAL LIQUID CHILLERS**

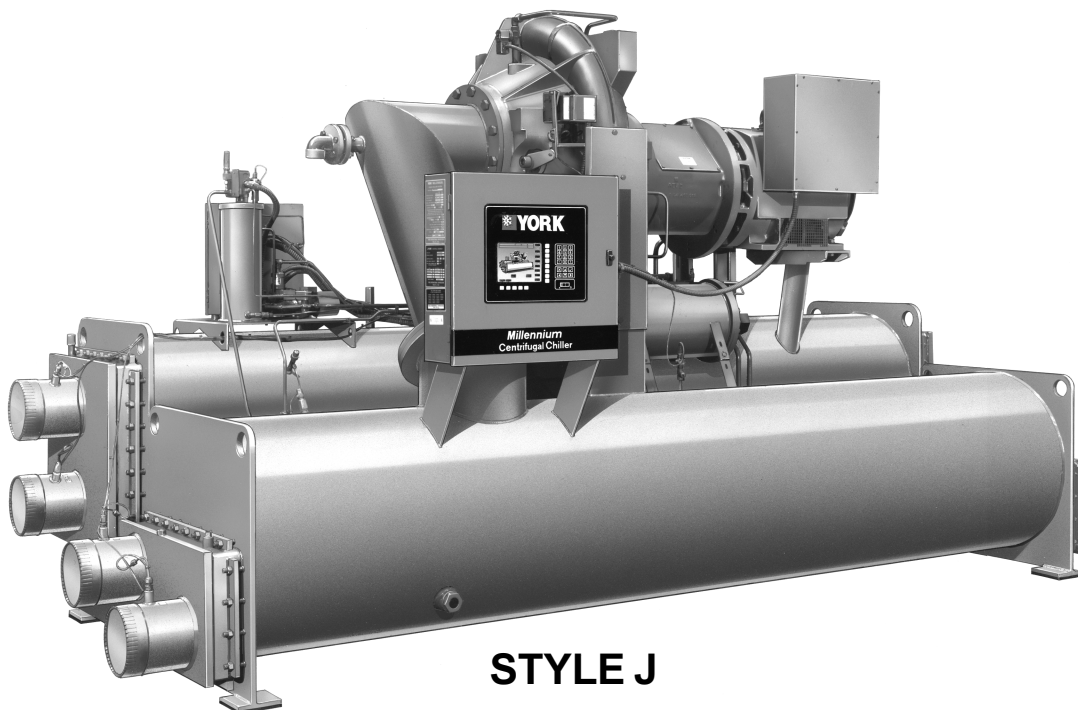
RENEWAL PARTS

Supersedes: 160.48-RP5(LS2)(800)

Form 160.48-RP6 (501)

**UNIT COMPONENTS
MODEL YT STYLE J**

**NOTE: Inserted Literature
Supplement - YT Style "J"
Chillers New Style Oil
Filter/"O"-Ring**



STYLE J

TABLE OF CONTENTS

NOMENCLATURE	3
YT STYLE J RELATED COMPRESSORS	4
UNIT COMPONENTS	5 - 17
ORIFICE PLATE	17
TURBOGUARD PURGE UNIT	18 - 20
OIL PUMP STARTER OVERLOADS	21
CURRENT TRANSFORMERS/KITS	21
INLET STRAINER	22
ISOLATORS	22
WATER BOX GASKETS	23, 24
COOLER TUBES	24
CONDENSER TUBES	25
HOT GAS BYPASS CONTROL OPTION	26
MULTIPLE-UNIT SEQUENCE CONTROL OPTION	27
MISCELLANEOUS & ACCESSORIES	28
VARIABLE ORIFICE VALVE	28
O-RING SEAL DATA	29

NOMENCLATURE

YT G3 A3 E2 5 CK J S

SPECIAL FEATURES
(S – Call factory for details.)

DESIGN LEVEL
J

MOTOR CODE

60 HZ		50 HZ	
-CF	CS	5CC	5CM
-CG	CT	5CD	5CN
-CH	CU	5CE	5CO
-CJ	CV	5CF	5CP
-CK	CW	5CG	5CQ
-CL	CX	5CH	5CR
-CM	CY	5CI	5CS
-CN	CZ	5CJ	5CT
-CP	CA	5CK	5CU
-CR	CB	5CL	5CV

SUPPLY POWER
- = 60HZ
5 = 50 HZ

COMPRESSOR CODE

Family I	Family II	Family III	Family IV
B1 - TJ 67	C1 - TJ 85	E1 - TL 108	F1 - TL 131
B2 - TJ 76	C2 - TJ 95	E2 - TL 120	F2 - TL 144
	C3 - TJ CB	E3 - TL 126	

CONDENSER CODE
A1, A2, A3, A4, B1, B2, B3, B4
C1, C2, C3, C4, C5, C6, C7, C8
D1, D2, D3, D4, D5, D6, D7, D8

COOLER CODE
G0, G1, G3, H1, H3, J1, J3, K1,
K3, K4, K6, K7, K9, L1, L3, L4, L6

MODEL

YT STYLE "J" RELATED COMPRESSORS

FAMILY	MODEL	PARTS LIST
I	B1 – YDTJ 67 B2 – YDTJ 76	160.45-RP2.2 (994) 160.45-RP2.2 (994)
II	C1 – YDTJ 85 C2 – YDTJ 95 C3 – YDRJ CB	160.45-RP2.2 (994) 160.45-RP2.2 (994) 160.45-RP2.2 (994)
III	E1 – YDTL 108 E2 – YDTL 120 E3 – YDRL 126	160.48-RP1 (297) STYLE F 160.48-RP1 (297) STYLE F 160.48-RP1 (297) STYLE F
IV	F1 – YDTL 131 F2 – YDTL 144	160.48-RP2 (297) STYLE F 160.48-RP2 (297) STYLE F

UNIT COMPONENTS

ITEM NUMBER	DESCRIPTION	PART NUMBER	QUANTITY PER UNIT	REFERENCE FIGURE
1	Oil Cooler	026-36768-000	1	3, 4, 5, 6
2	Valve, Thermostatic Control	022-09569-000	1	4, 6
3	Valve, Ball – 3/4"	022-08738-000	3	4, 10, 17, 18
4	Valve, Stop, Angle – 1/2"	022-09554-000	1	4, 6, 10
5	Valve, Stop, Angle – 1/2"	022-09195-000	1	5, 7, 10
6	Dehydrator, Filter Drier (Oil Eductor)	026-32841-000	1	7
7	Eductor, Oil Return	026-36775-000	2	7, 9
8	Valve, Stop, Angle – 1/4"	022-03836-000	4	5, 13, 14, 15, 19
9	Valve, Stop, Angle – 1/2"	022-03834-000	2	13, 14, 19
10	Valve, Ball – 3/4"	022-08761-000	2	14, 16, 10
11	Cannister, Oil Filter, with Element (11A)	026-31684-001*	1	7, 8
11A	Filter Element (Used with Item 11)	026-35961-000**	1	7, 8
12	Valve, Solenoid (Equalizing Line)	Note 1	1	1
12A	Suppressor (Used with Item 12)	031-00808-000	1	2
13	Starter, Oil Pump, 12 Amp, 3 Pole (1M)	024-27247-001	1	22
13A	Suppressor (Used with Item 13)	031-00808-000	1	22
14	Transducer, Purge (PP)	025-29148-008	1	20
15	Transducer, Condenser (CP)	025-29148-019	1	7
16	Transducer, Cooler (LEP)	025-29148-102	1	3
17A	RT1, Thermistor, Leaving Chilled Water	025-29964-000	1	1
17B	RT9, Thermistor, Entering Chilled Water	025-29964-000	1	1
17C	RT4, Thermistor, Entering Condenser Water	025-28935-000	1	1
17D	RT5, Thermistor, Leaving Consenser Water	025-28935-000	1	1
18	Bulb Well	026-32328-000	4	1
19	Varistor, Metal Oxide (Used in PRV)	366-87030-000	2	2
20	High Pressure Cutout (HP)	225-14385-002	1	22
21	Purge Module	Note 2	1	20
22	Rupture Disk, 2-1/2"	026-09353-000	1	11
22A	Rupture Disk 3"	026-27788-000		
23	Gasket, Rupture Disk 4" O.D. x 2 5/8" I.D. x 1/16"	075-02357-000	2	11
23A	Gasket, Rupture Disk 5 3/8" O.D. x 3 1/2" I.D. x 1/8"	075-02358-000		
24	Gasket, Discharge Connection		1	8, 11
	B1, B2 Compressor	075-02350-000		
	C1, C2, C3 Compressor	075-02352-000		
	E1, E2, E3 Compressor	075-02351-000		
	F1, F2 Compressor	075-02355-000		
25	Gasket, Suction Connection B1,B2 Compressor C1,C2 Compressor C3 Compressor E1, E2, E3 Compressor F1, F2 Compressor	075-02351-000 075-02353-000 075-03294-000 075-02354-000 075-02356-000	2	11
26	Gasket, Liquid Line	075-21342-000	2	16
27	Sight Glass, Cooler – 2"	023-17197-000	1 ³	13
28	Tube, Steel, 3/4" O.D. x .065	003-01786-000	8 Ft.	3, 4, 5, 6
29	Seal, O-Ring	028-12961-001	10	3, 7, 8, 9
30	Valve, Stop, Angle, Vertical	022-09577-000	2	3, 7

UNIT COMPONENTS

ITEM NUMBER	DESCRIPTION	PART NUMBER	QUANTITY PER UNIT	REFERENCE FIGURE
30	Valve, Stop, Angle, Vertical	022-09577-000	2	3, 7
31	Manifold Block	029-22793-000	2	3, 7
32	Connector, Union, 7/16"-20, U.N.F.-2A	023-19072-000	2	3, 7
33	Plug, Pipe	023-01972-000	1	3
34	Plug, Hex Head, 7/16"	023-18279-000	2	3
35	Tube, Steel, Bend, 1 1/2" O.D.	075-32483-000	1	3, 5, 6
36	Tube, Formed	075-21085-000	1	3, 5, 6
37	Nut, Flare, Hydraulic, 1" O.D.	023-16935-000	1	4
38	Sleeve, Flare, Hydraulic, 1" O.D.	023-16934-000	1	4
39	Tube, Steel, 3/4" O.D. x.065	003-03515-000	5 Ft.	4
40	Elbow, Flare, Hydraulic, 1" O.D.	023-12976-000	1	4
41	Nipple, Pipe, 3/4", Sch 80	023-14663-000	2	4
42	Elbow, Scr., 3/4" N.P.T.	023-04313-000	1	4
43	Elbow, Flare, Hydraulic, 3/4" O.D.	023-10700-000	2	4, 8
44	Connector, Flare, Hydraulic, 3/4" O.D.	023-11363-000	1	4
45	Elbow, 3/4" O.D., Tube, 90°, Male	023-18291-000	1	4, 6
46	Nut, 3/4" O.D., Tube	023-18286-000	7	4, 5, 6, 16
47	Sleeve, 3/4" O.D., Tube	023-18284-000	7	4, 5, 6, 16
48	Seal, O-Ring, Neoprene	028-12961-015	7	4, 5, 6
49	Seal, O-Ring, Neoprene	028-12961-006	3	4, 6
50	Tee, 3/4" O.D., Tube, Male	023-18293-000	1	4, 6
51	Tube, with T-Drill	075-32482-000	1	4, 6
52	Elbow, 90°, Solder Jt., 1 1/2"	023-19070-000	1	5
53	Nut, 1 1/2" O.D., Tube	023-19073-000	1	5
54	Sleeve, 1 1/2" O.D., Tube	023-19074-000	1	5
55	Seal, O-Ring, Neoprene	028-12961-019	1	5
56	Elbow, 90°, Solder Jt., 3/4" O.D.	023-19068-000	1	5
57	Bracket, Oil Cooler	075-32485-000	1	5, 6
58	Screw, Cap, Hex, 3/8"-16 U.N.C.	021-01481-000	2	5
59	Nut, Hex, 3/8"-16 U.N.C.-2B	021-00466-000	2	5
60	Lock Washer, Internal, 3/8"	021-01155-000	2	5
61	Connector, 3/4" Tube, Male	023-18290-000	1	6
62	Tube, Bend, Orifice Bypass, 3/4"	075-33652-000	1	16
63	Valve, Stop, Angle	022-10024-000	1	7, 8
64	Valve, Stop, Angle, Vertical	022-09708-000	1	7
65	Nut, 1/2" O.D., Tube	023-18984-000	2	7, 8
66	Sleeve, 1/2" O.D., Tube	023-19089-000	2	7, 8
67	Seal, O-Ring, Neoprene	028-12961-013	2	7, 8
68	Nut, 1/4" O.D., Tube	023-19075-000	2	7, 8
69	Sleeve, 1/4" O.D., Tube	023-19088-000	2	7, 8
70	Seal, O-Ring, Neoprene	028-12961-011	2	7, 8
71	Tube, Formed with T-Drill	026-36775-000	1	7
72	Seal, Teflon Fiber, 3/4" O.D.	028-12709-000	2	7, 14, 19
73	Gasket, 3 3/8" O.D. x 2 1/2" I.D.	075-02359-000	1	12
74	Elbow, Screw, Street, 1/4"-18	023-01684-000	1	17
75	Valve, Stop, Angle, Horizontal	022-09792-000	1	14, 19
76	Connector, 3/4" O.D., Tube, Male	023-18289-000	2	16
77	Seal, O-Ring, Neoprene	028-12961-015	2	16
78	Seal, O-Ring, Neoprene	028-12961-009	3	13

UNIT COMPONENTS

ITEM NUMBER	DESCRIPTION	PART NUMBER	QUANTITY PER UNIT	REFERENCE FIGURE
79	Valve, Stop, Angle, 3/4" N.P.T.E.	022-03850-000	2	8
80	Elbow, Street	023-01684-000	1	8
81	Tube, Oil, Inlet	064-47886-000	1	8
82	Tee, Scr., 3/4" N.P.T.I. x 3/4"	023-11331-000	1	8
83	Bushing, Pipe, 3/4" - 14 N.P.T.E.	023-04039-000	1	8
84	Transducer, Pressure, High Oil	025-29148-004	1	8
85	Transducer, Pressure, Low Oil	025-29148-003	1	1
86	Valve, Stop, 1/4", Angle	022-03836-000	1	8
87	Hose, Rubber, Black, 3/4" I.D., 150 psi	028-11958-000	17 Ft. ⁵	17, 18
87A	Hose, Rubber, Black, 3/4" I.D., 300 psi	028-11959-000	17 Ft. ⁵	17, 18
88	Clamp, Hose, 150 psi	023-08856-000	4	17, 18
88A	Clamp, Hose, 300 psi	023-08855-000	4	17, 18
89	Adapter, Combination, 3/4", 150 psi	023-15851-000	4	17, 18
89A	Adapter, Stem, Male, 300 psi	023-15852-000	4	17, 18
90	Heat Exchanger	026-36596-000	1	17
91	Coolant Pump, 50/60 Hz	026-32813-000	1	17
92	Coolant Header	371-02561-513	1	18
93	Nipple, Pipe, 3/4", Sch. 40X	023-15860-000	1	18
94	Elbow, Screw, Street, 3/4" NPTI	023-16236-000	2	18

NOTES:

*Use gasket kit 028-08312-005

- See Appropriate Compressor Renewal Parts Manual
- See This Listing (Items 13, 13A, 14 & 20) and Page 18 for Component Part Numbers
- Quantity of two (2) Sightglasses Required with the following Compressor and Cooler Combinations:

<u>Compressor</u>	<u>Cooler</u>
E	J,K,L
F	K

- Refer to York Form 160.00-RP3 for Solid State Starter items not listed herein.
- 50 ft. Roll

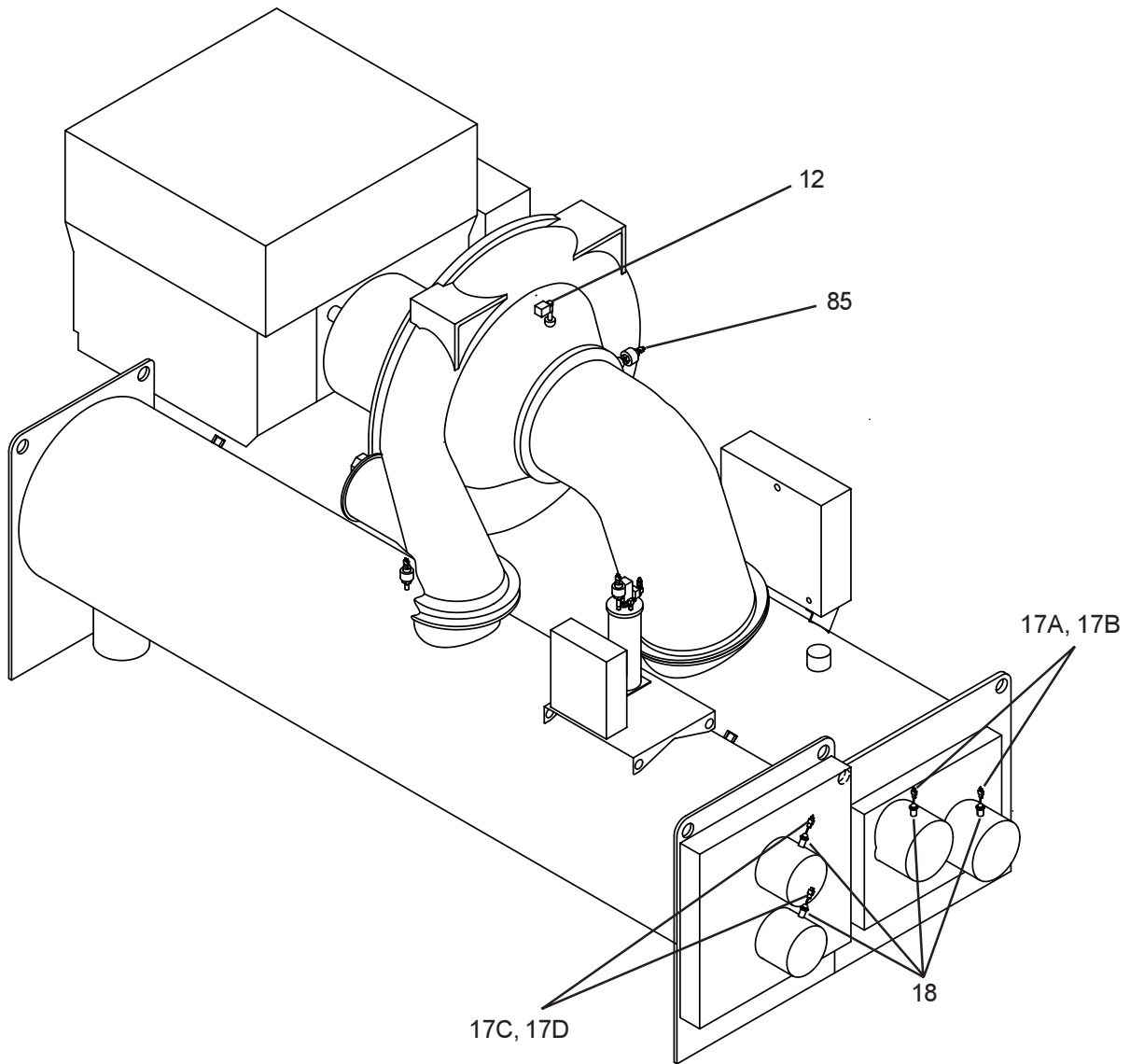


FIG. 1

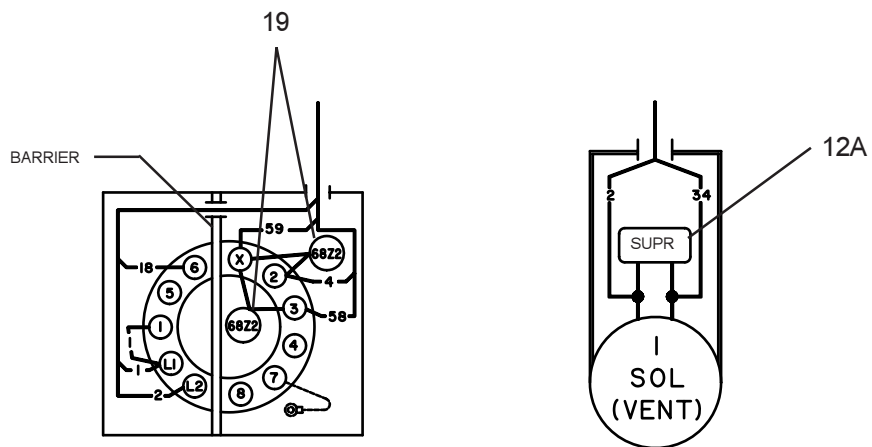


FIG. 2

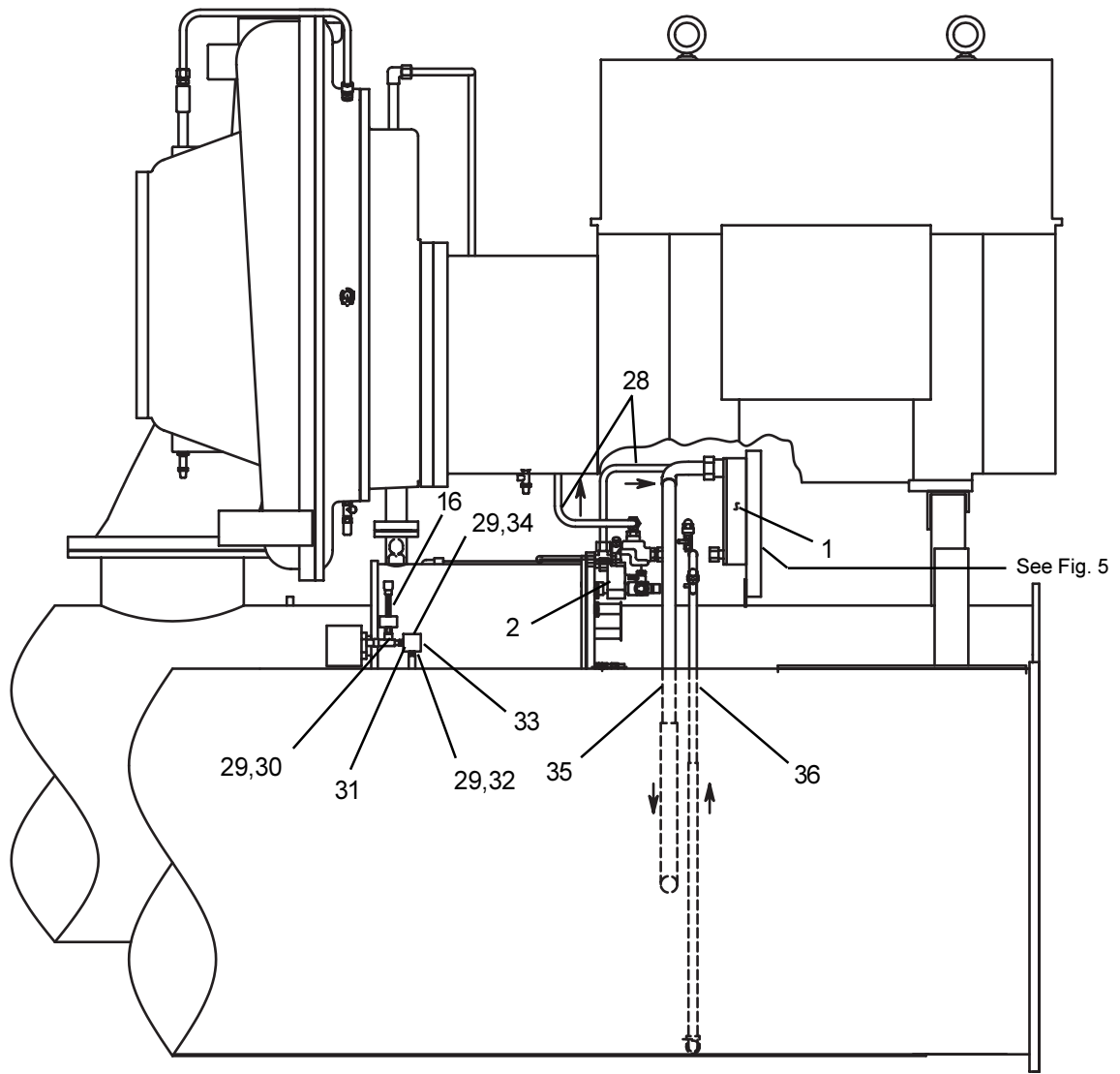


FIG. 3

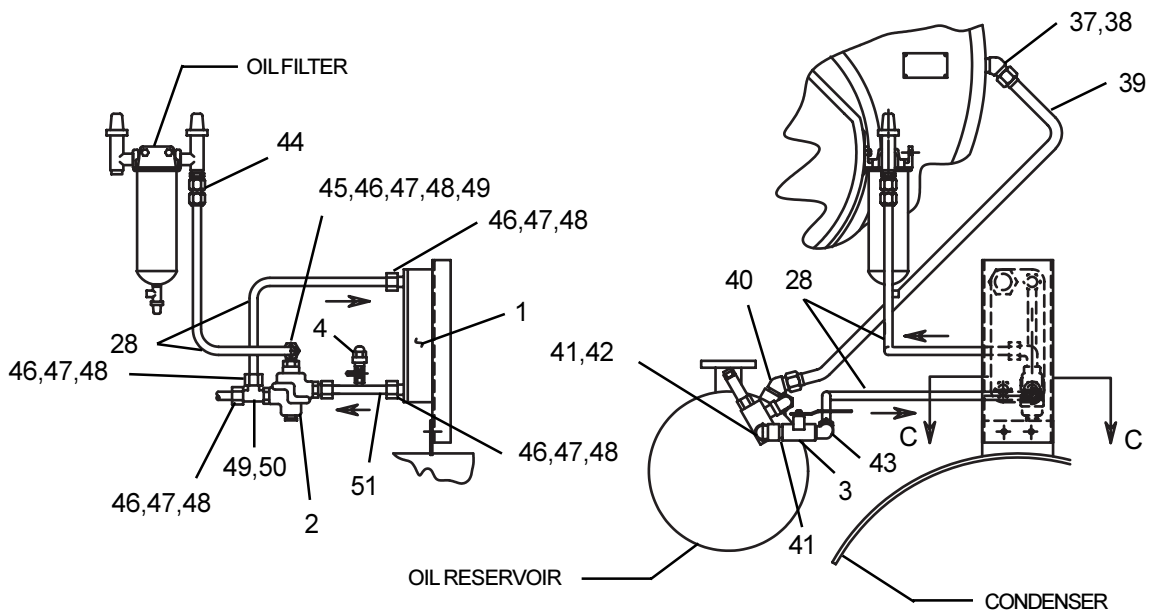


FIG. 4 - Oil Lines

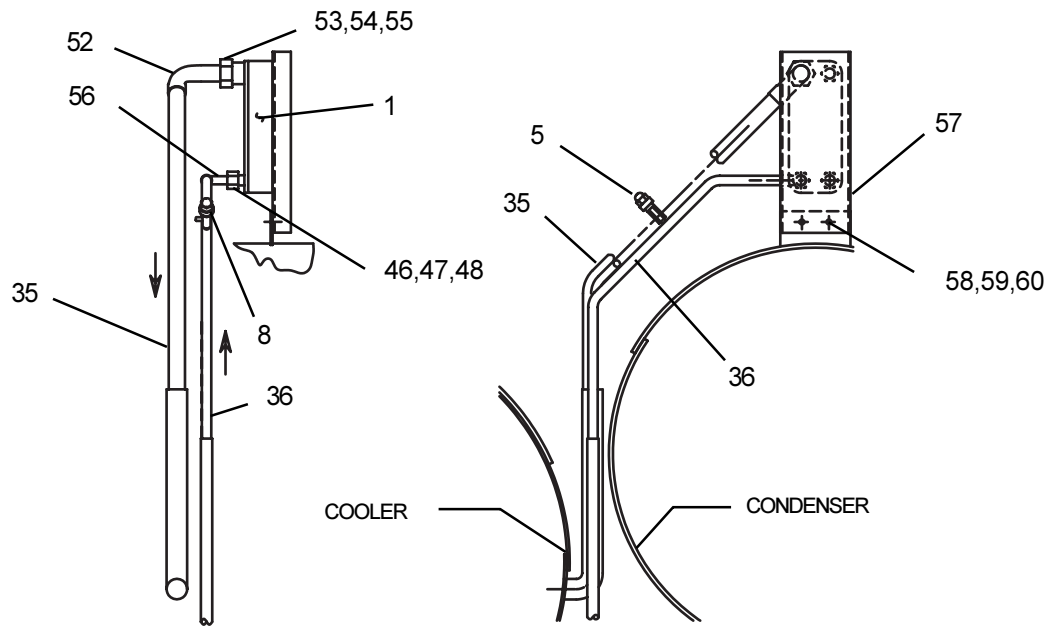


FIG. 5 - Refrigeration Lines

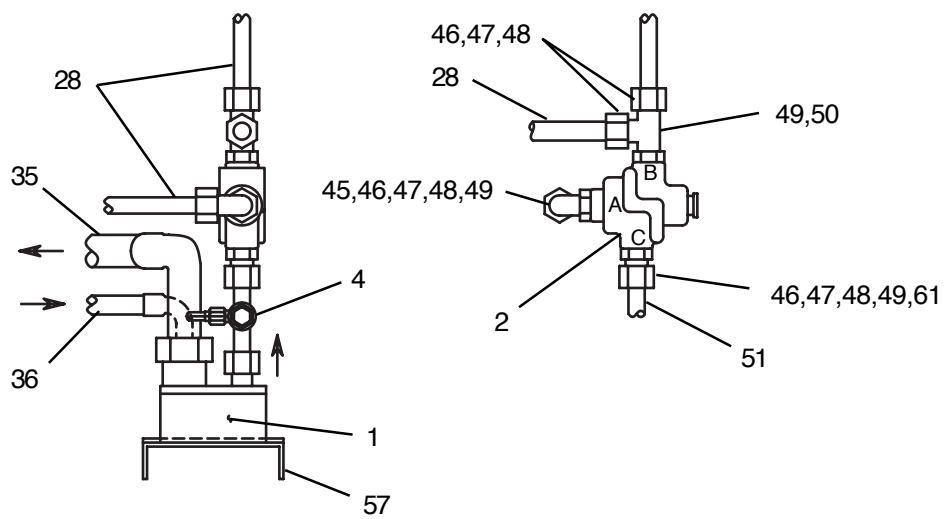


FIG. 6 - Section C - C of Figure 4

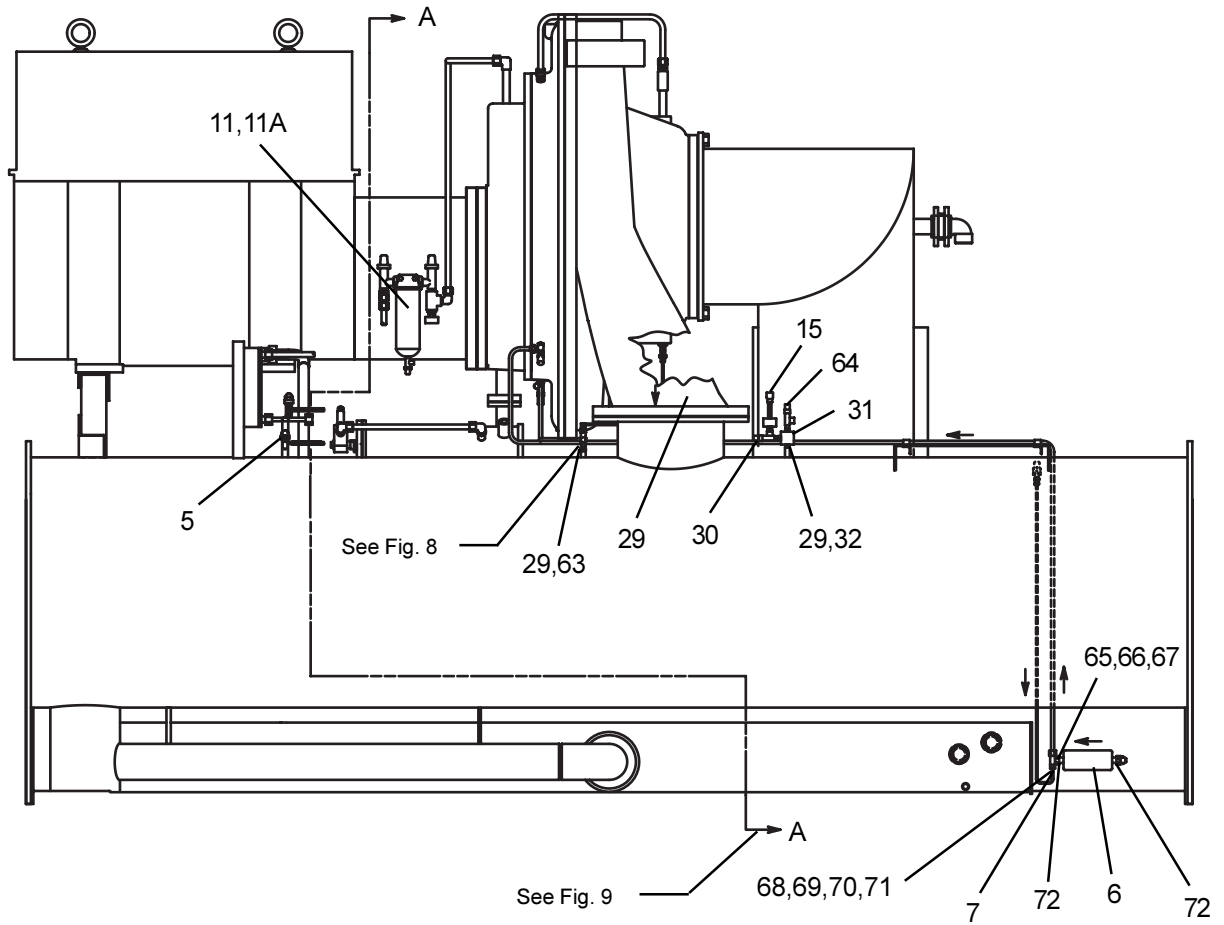


FIG. 7

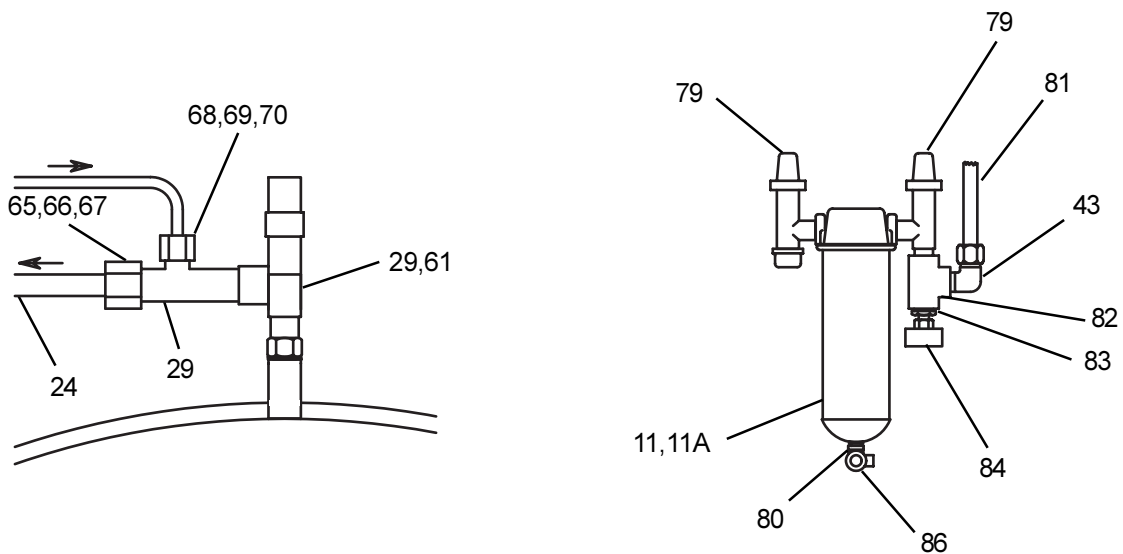


FIG. 8

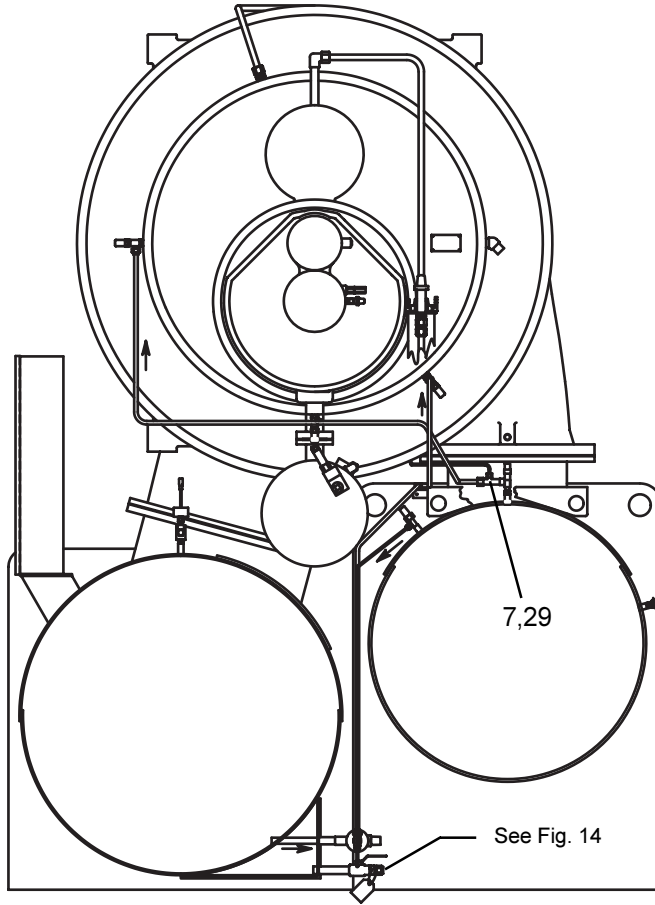


FIG. 9 - Section A - A

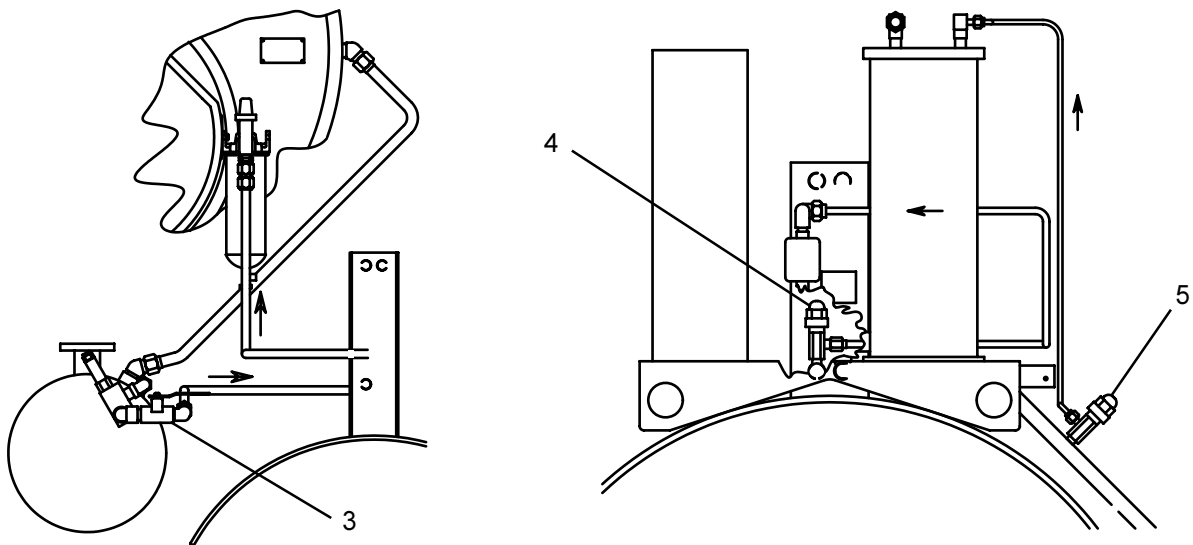


FIG. 10

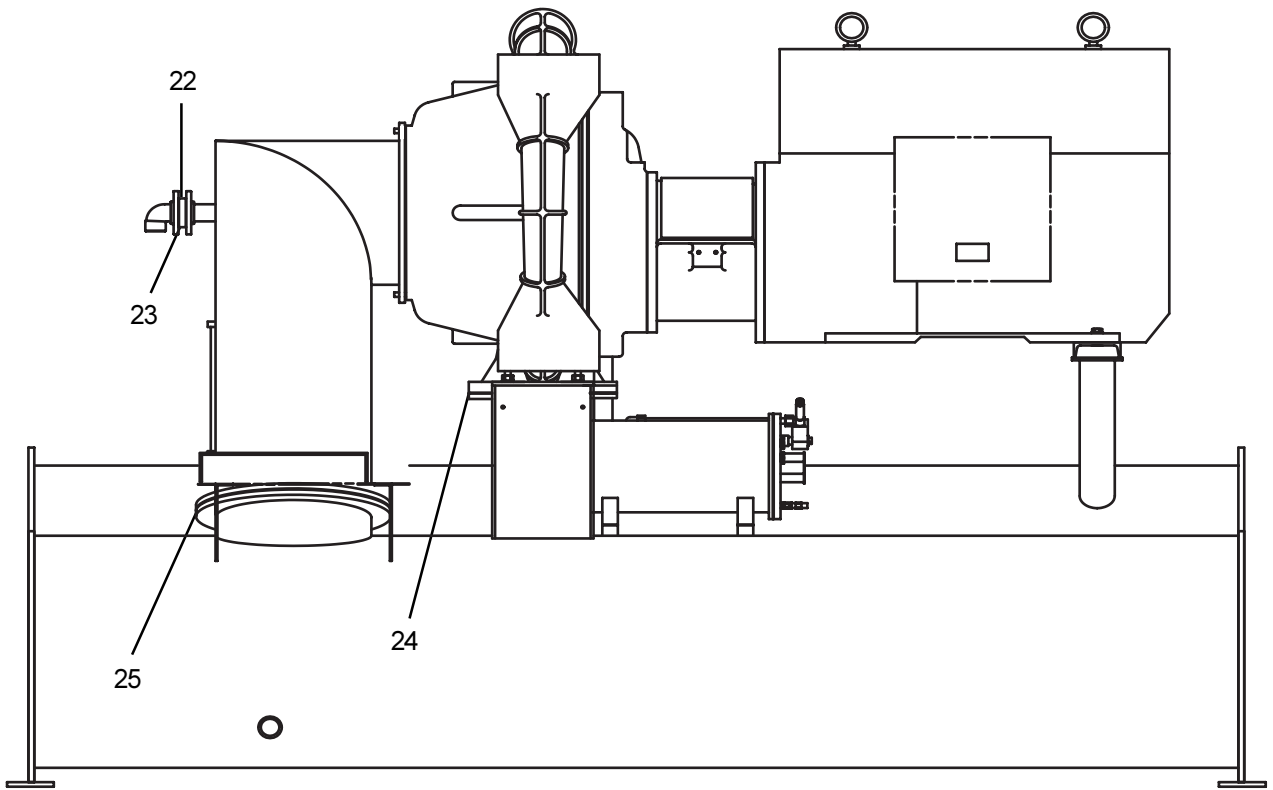


FIG. 11

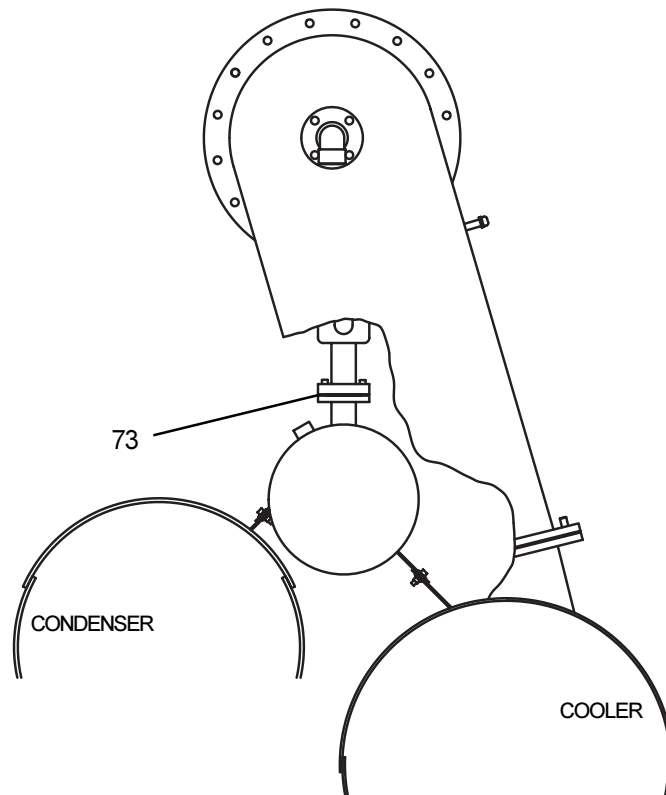


FIG. 12

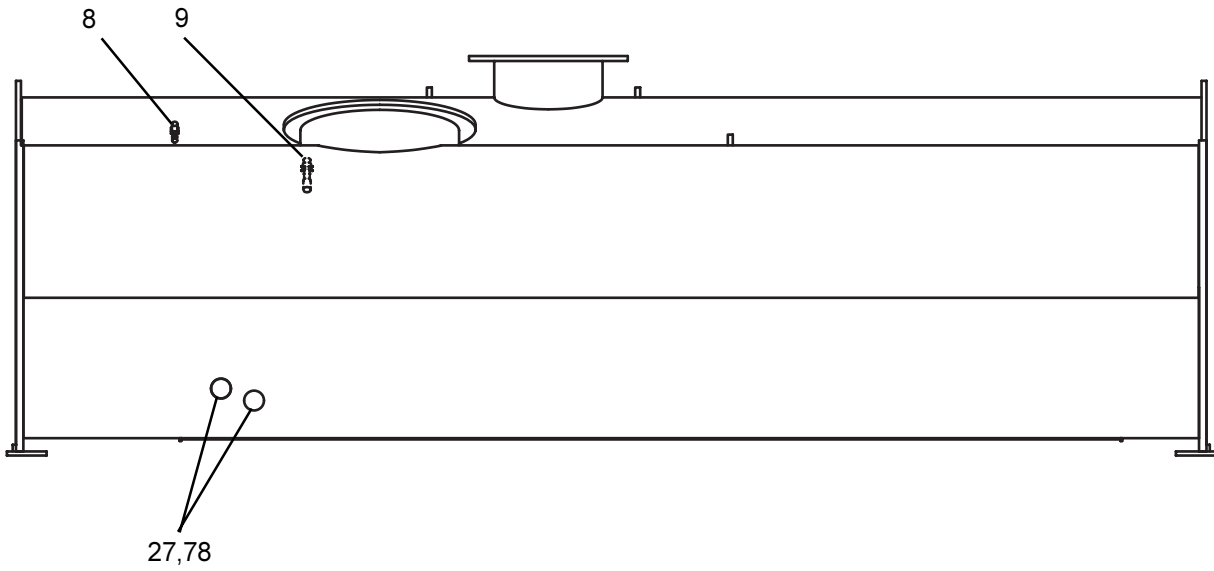


FIG. 13

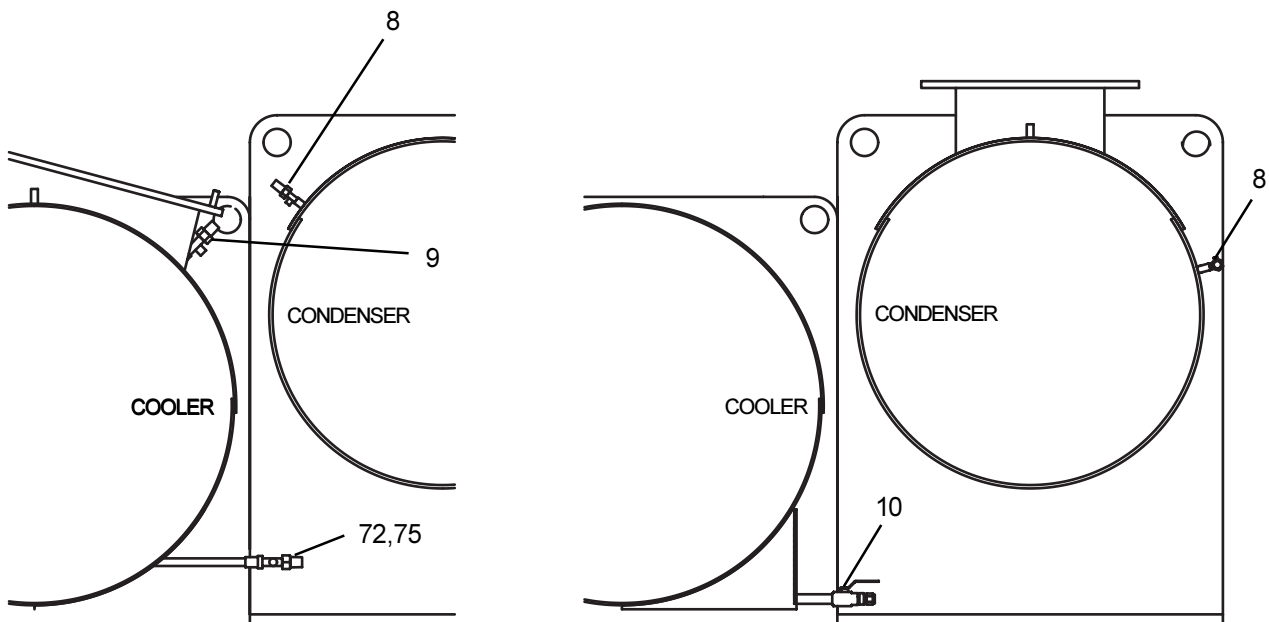


FIG. 14

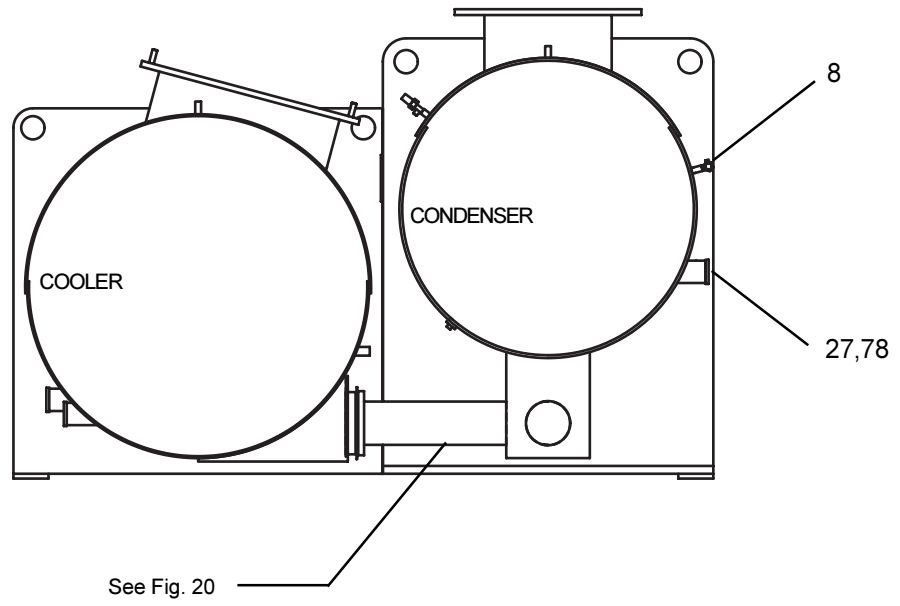


FIG. 15

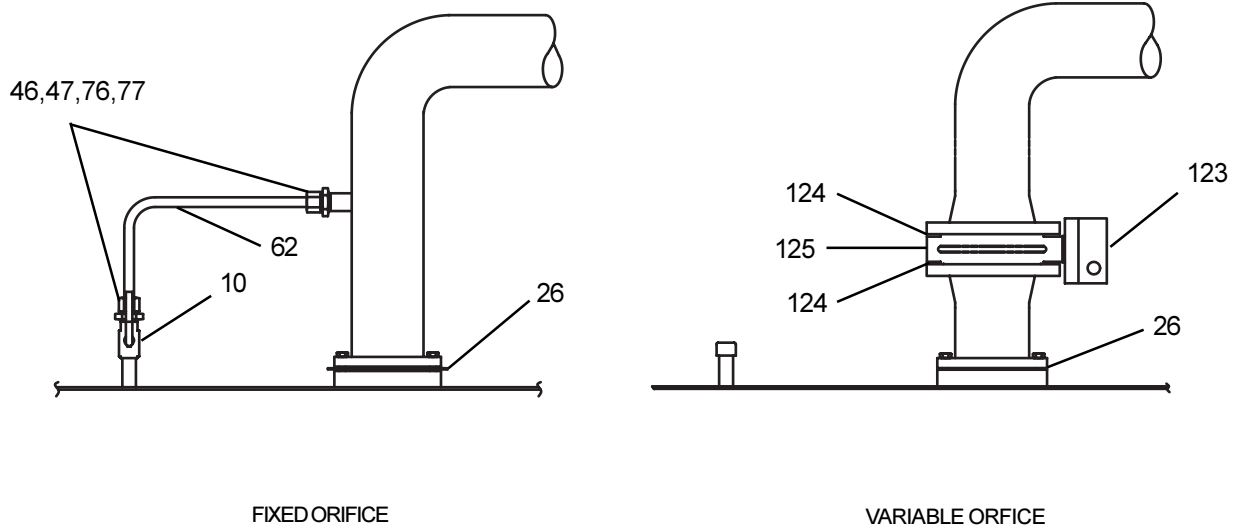


FIG. 16

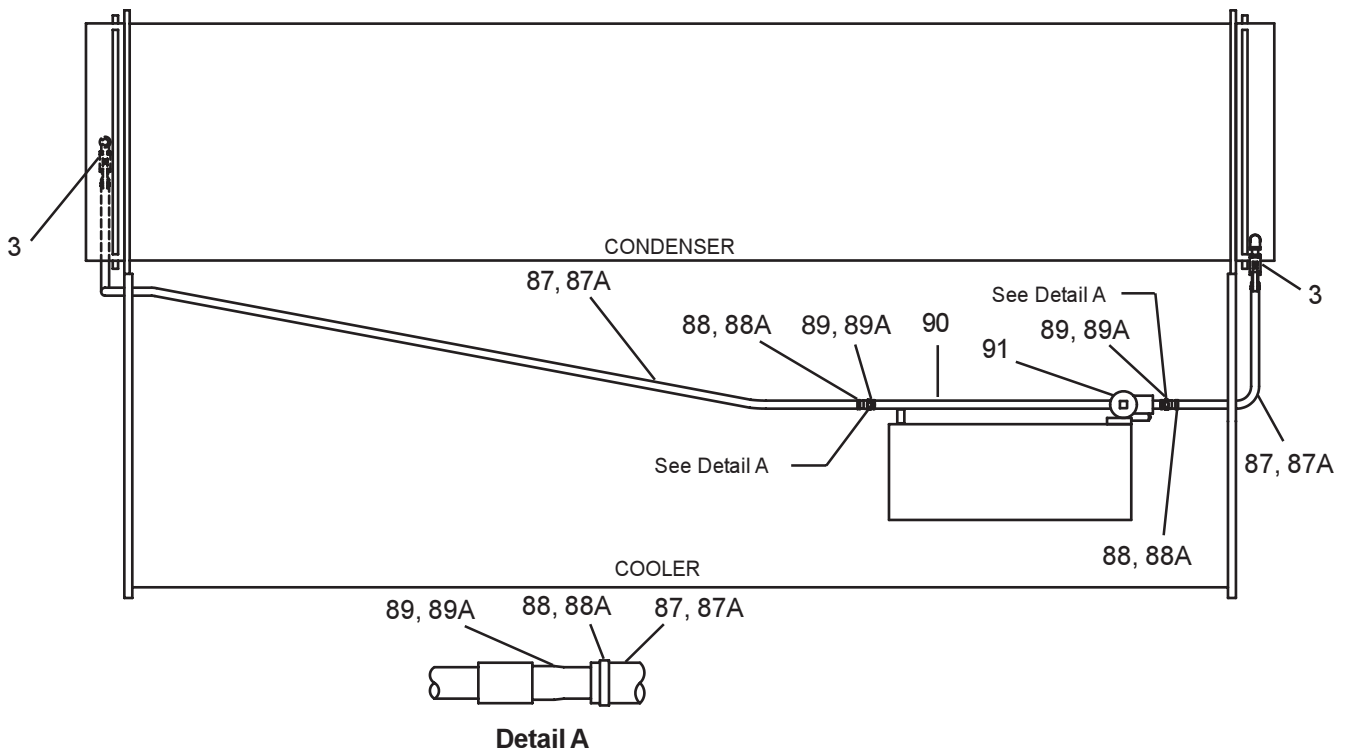


FIG. 17

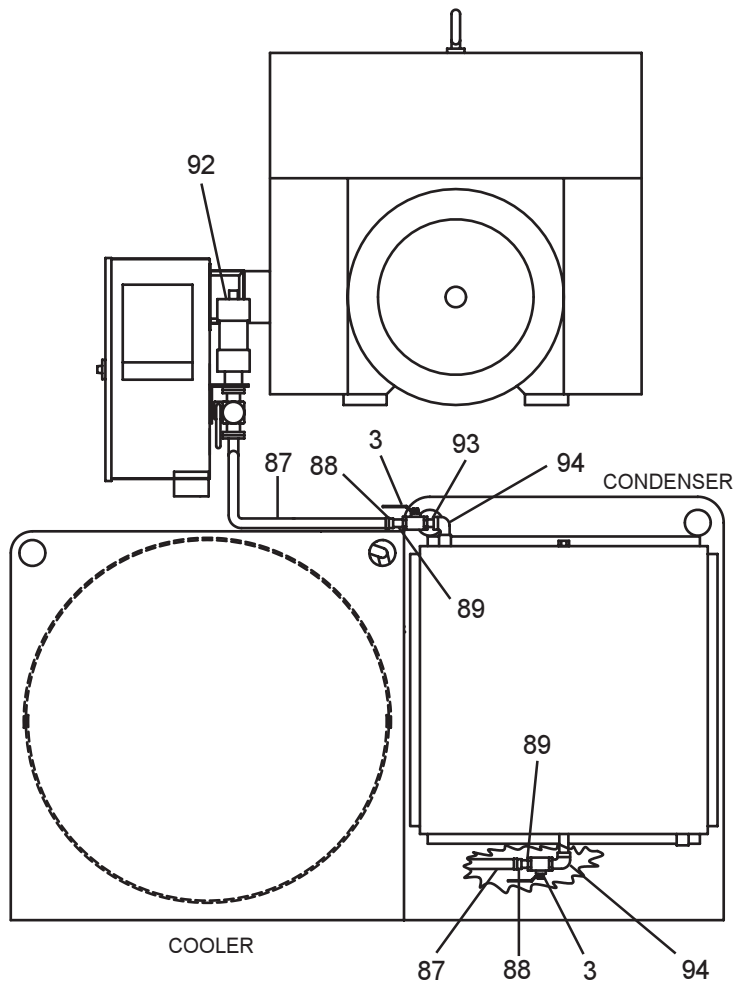


FIG. 18

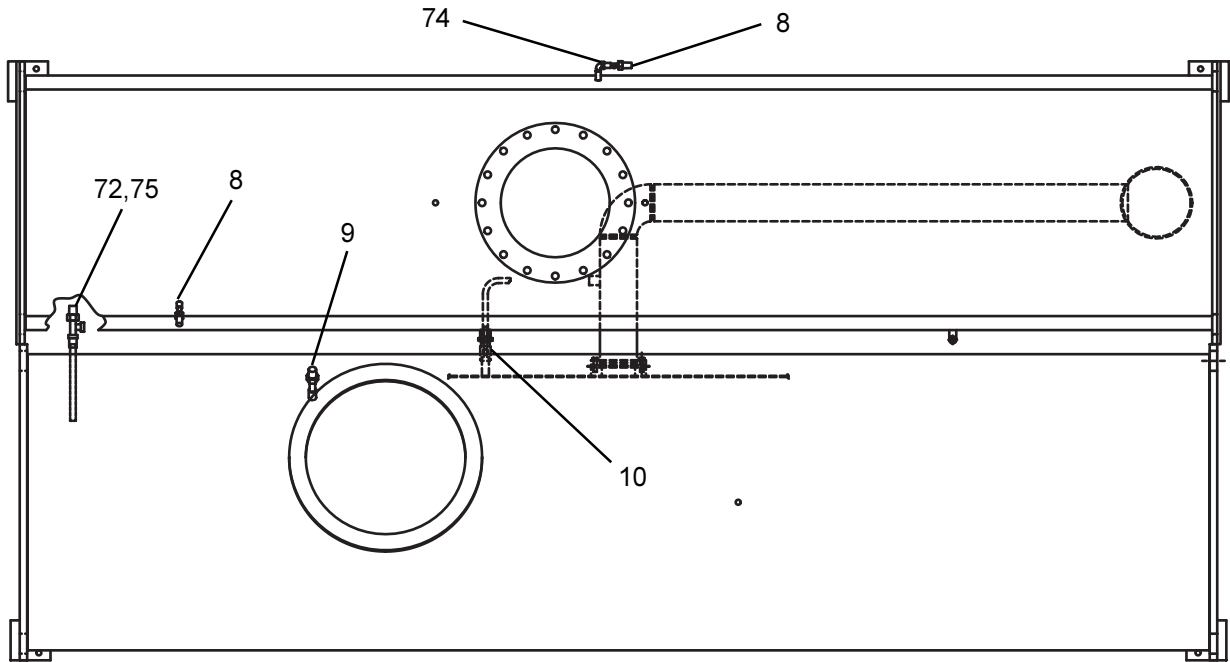


FIG. 19

ORIFICE PLATE DATA

PART NUMBER	ORIFICE DIAMETER (inches)	CODE
075-26380-007	7/8	7
075-26380-008	1	8
075-26380-009	1 1/8	9
075-26380-010	1 1/4	10
075-26380-011	1 3/8	11
075-26380-012	1 1/2	12
075-26380-013	1 5/8	13
075-26380-014	1 3/4	14
075-26380-015	1 7/8	15
075-26380-016	2	16
075-26380-017	2 1/8	17
075-26380-018	2 1/4	18
075-26380-019	2 3/8	19
075-26380-020	2 1/2	20

UNIT COMPONENTS

ITEM NUMBER	DESCRIPTION	PART NO.	QUAN PER UNIT	REF FIGURE
95	Turboguard Purge Unit Core Assembly (Note 1) (Includes Asterisked Items – 88 through 94)	375-21362-000	1	20, 21
96*	Switch, Float	024-27248-000	1	21
97*	Valve, Solenoid, 1/4" SAE (3 SOL – Air)	025-29998-000	1	20, 21
98*	Box, Conduit	025-01145-000	1	20, 21
99*	Cover, Conduit Box	025-01732-000	1	20, 21
100*	Dehydrator, Filter Drier	026-14777-007	1	20, 21
101*	Outlet Connection, Foul Gas	366-91355-000	1	20, 21
102*	Valve, Check, 1/4" Flare x 1/4" Flare	022-03902-000	1	20, 21
103	Valve, Check, 1/4" Flare x 1/4" Flare	022-03902-000	1	20
104	Half-Union, 1/4" NPT x 1/4" Flare	023-00927-000	1	20
105	Strainer, 3/8 Male	029-21710-000	1	20
106	Valve, Solenoid, 3-Way, 1/4" NPTI (2SOL – Oil Supply, 4 SOL – Oil Return)	025-16988-000	2	20
107	Connector, Swivel, 1/2" Int. Flare	023-05189-000	1	20
108	Orifice, Liquid Line	066-82377-000	1	20
109	Connector, Union 1/4" Int. Flare	023-09040-000	1	20
110	Isolator, 1-1/4" Dia x 3/4" Lg.	028-08972-000	4	20
111	Purge Tank High Pressure Cutout (PTHP)	225-30406-001	1	20, 22
112	Suppressor (Used with Items 97, 106, and 113)	031-00808-000	4	22
113	Pump, Oil	026-32369-000	1	20
114	Nipple, 1/2"	025-05806-000	1	21
115	Nut, Lock, 1/2"	025-05701-000	3	21
116	Tube, Bent, 1/4" O.D.	375-10633-000	1	21
117	Connector, 1/4", External, Flare x 1/8"	023-00913-000	1	21
118	Elbow, 1/2" External, Flare, x 1/2"	023-02754-000	1	21
119	Union, 1/2", Internal, Flare	023-02769-000	1	21
120	Gasket, Flare, 1/4" O.D., Tube	028-01259-000	1	21
121	Bonnet, 1/4", Seal, Flare	075-09341-000	1	21
122	Nut, Flare, Short, Forged	021-05661-000	1	21
123	Motor, Actuator	Note 2	1	16
124	O-Ring	Note 2	1	16
125	Valve, Butterfly	Note 2	1	16
126	O-Ring	028-12961-008	1	21

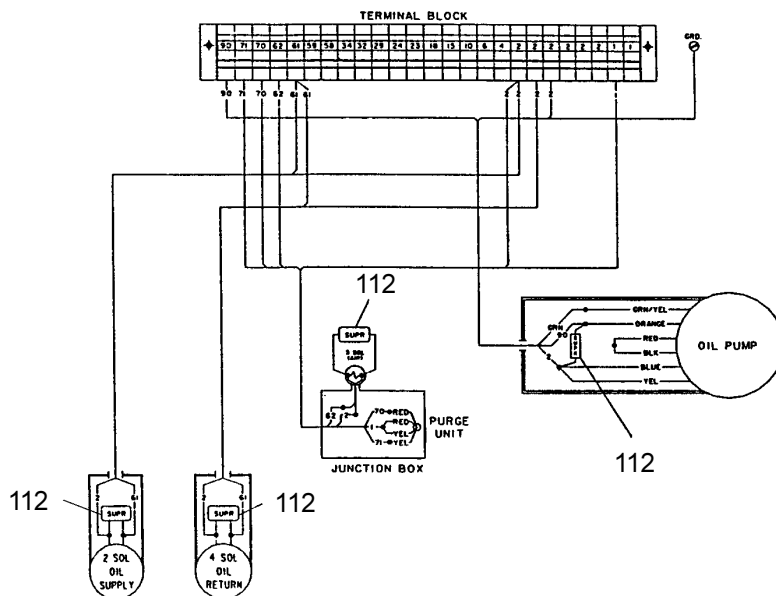
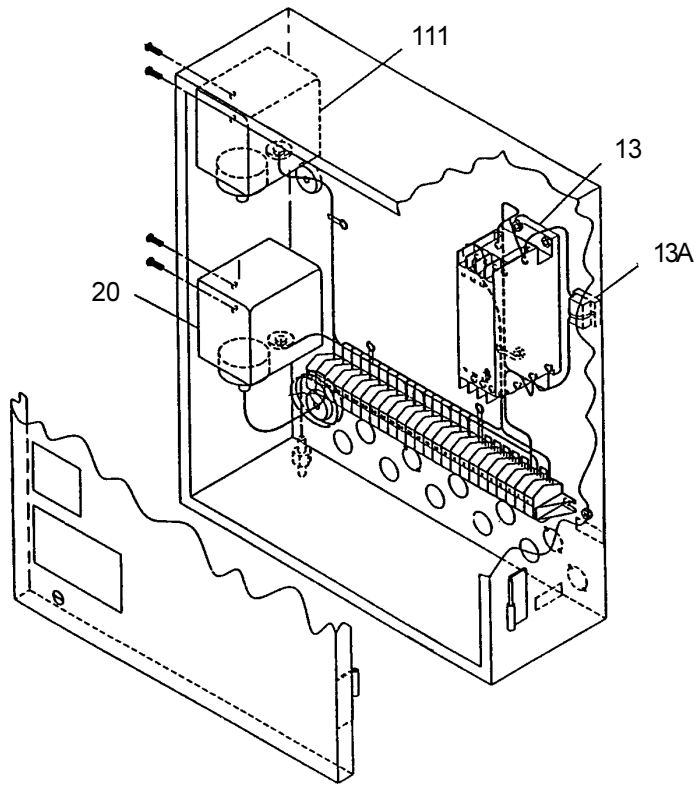
NOTES:

1. If it is necessary to replace the shell, order this core assembly which, in addition to asterisked items, includes coil (internal), insulation and all piping, tubing and fittings required to provide the complete assembly pictured in Fig. 21.
2. See Variable Orifice Valve table on Page 28 for part numbers.

HIGH PRESSURE PURGE PUMP (ITEM 113) SERVICE PARTS

Oil Pump with motor	026-32369-000
Motor only	024-26507-000
Pump Head	026-32811-000
Service Pack**	026-32812-000

**Includes: 2 gears, 3" O-rings, 5 Bearings, Silicone grease, Sandpaper, and Instructions.



LD01323A

FIG. 22

OIL PUMP STARTER OVERLOAD ELEMENTS

OIL PUMP VOLTAGE	PART NUMBER (Includes Quantity of 3 Elements)	
	B, C, & E COMPRESSORS	F COMPRESSORS
200, 208, 220, 230, 240-3-60	024-27251-000	024-27250-000
380, 416, 440, 460, 480-3-60	024-27252-000	024-27252-000
550-3-60	024-27253-000	024-27252-000
575-3-50	024-27254-000	024-27252-000
600-3-60	024-27254-000	024-27253-000
220-3-50	024-27250-000	024-27250-000
346, 380, 400, 415, 440-3-50	024-27252-000	024-27252-000

KIT CURRENT TRANSFORMER

(Field installed electro-mechanical starters only)

MOTOR VOLTAGE	FLA	"CT" RATIO	PART NUMBER	
			USE WITH FACTORY-MOUNTED MOTORS ONLY	USE WITH FIELD-MOUNTED MOTORS ONLY
200/600	65-111	200:1	366-82718-001	366-82720-001
	112-224	350:1	366-82718-002	366-82720-002
	225-829	700:1	366-82718-003	366-82720-003
	830-1790	1400:1	366-82718-004	366-82720-004
2300/4160	11-18	200:1	366-82718-005	366-82720-001
	19-37	200:1	366-82718-005	366-82720-001
	38-123	200:1	366-82718-005	366-82720-001
	124-264	350:1	366-82718-006	366-82720-002

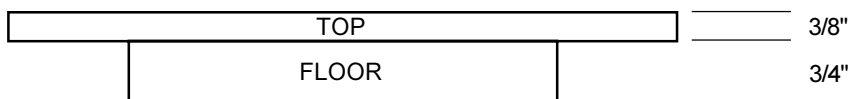
TRANSFORMER ONLY

"CT" RATIO	PART NUMBER
200:1	025-21173-001
350:1	025-21173-002
700:1	025-21173-003
1400:1	025-21173-004

**STRAINER, INLET CHILLED WATER
(Compact Heads and Marine Water Boxes)**

COOLER SHELL CODE	PASS	NOZZLE SIZE	PART NUMBER	
			COMPACT WATER BOX	MARINE WATER BOX
G	1	10	029-12950-000	029-12950-000
	2	8	029-12949-000	029-12949-000
	3	6	029-12948-000	029-12948-000
H	1	12	029-12951-000	029-12951-000
	2	8	029-12949-000	029-12949-000
	3	6	029-12948-000	029-12948-000
J	1	14	029-14727-000	—
		12	—	029-12951-000
	2	10	029-12950-000	029-12950-000
	3	8	029-12949-000	029-12949-000
K	1	14	029-14727-000	—
		12	—	029-12951-000
	2	10	029-12950-000	029-12950-000
	3	8	029-12949-000	029-12949-000
L	1	16	029-14811-000	—
		12	029-12951-000	029-12951-000
	2	12	029-12951-000	029-12951-000
	3	10	029-12950-000	029-12950-000

NEOPRENE ISOLATOR PAD ASSEMBLY



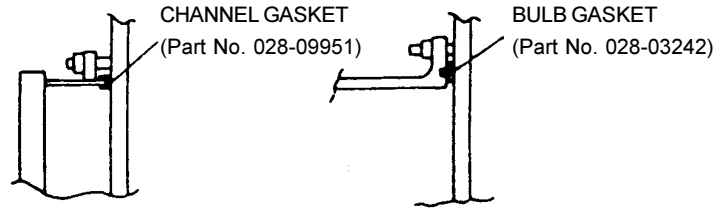
NEOPRENE VIBRATION ISOLATORS

SYSTEM OPERATING WEIGHT		PART NUMBER Includes Quantity of 4 Pads	PAD SIZE
KILOGRAMS	POUNDS		
Up to 6108	Up to 16365	028-14462-000	5-1/2" x 5-1/2"
6109 to 10762	16366 to 28835	028-14459-000	7" x 5 1/2"
10763 to 19980	28836 to 53530	028-14460-000	9" x 7"

SPRING ISOLATORS

SYSTEM OPERATING WEIGHT		PART NUMBER Includes Brackets and Bolting	QUANTITY
KILOGRAMS	POUNDS		
4795 to 5885	12848 to 15768	029-18113-004	4
5886 to 7329	15769 to 19636	029-18113-001	4
7330 to 9093	19637 to 24363	029-18113-002	4
9094 to 11401	24364 to 30545	029-18113-003	4
11402 to 13640	30546 to 36545	029-18114-001	4
13641 to 17101	36546 to 45818	029-18114-002	4
17102 to 21602	45819 to 57876	029-18114-003	4

WATER BOX GASKETS



LD01324

FIG. 23

COOLER WITH STANDARD COMPACT WATER BOXES

SHELL CODE	1 PASS		2 PASS		3 PASS	
	GASKET PART NO.	FEET REQ'D	GASKET PART NO.	FEET REQ'D	GASKET PART NO.	FEET REQ'D
G0, G1, G3	028-09951	15.5	028-09951	18.0	028-09951	20.5
H1, H3	028-09951	16.5	028-09951	19.5	028-09951	22.0
J1, J3	028-09951	18.5	028-09951	22.0	028-09951	24.5
K1, K3, K4 K6, K7, K9	028-03242	21.0	028-03242 028-09951	21.0 4.0	028-03242 028-09951	21.0 7.0
L1, L3, L4, L6	028-03242	22.0	028-03242 028-09951	22.0 4.0	028-03242 028-09951	22.0 7.0

COOLER WITH MARINE WATER BOXES

SHELL CODE	1 PASS		2 PASS		3 PASS	
	GASKET PART NO.	FEET REQ'D	GASKET PART NO.	FEET REQ'D	GASKET PART NO.	FEET REQ'D
G0, G1, G3	028-03242	32.0	028-03242 028-09951	16.0 13.0	028-03242 028-09951	32.0 10.0
H1, H3	028-03242	34.0	028-03242 028-09951	17.0 14.75	028-03242 028-09951	34.0 11.5
J1, J3	028-03242	38.0	028-03242 028-09951	19.0 17.0	028-03242 028-09951	38.0 13.0
K1, K3, K4 K6, K7, K9	028-03242	41.0	028-03242 028-09951	31.0 8.0	028-09951 028-03242	41.0 14.0
L1, L3, L4, L6	028-03242	43.0	028-03242 028-09951	33.0 8.0	028-03242 028-09951	43.0 14.0

WATER BOX GASKETS (Cont'd)

CONDENSER WITH STANDARD COMPACT WATER BOXES

CONDENSER WITH MARINE WATER BOXES

SHELL CODE	1 PASS		2 PASS	
	GASKET PART NO.	FT. REQ'D	GASKET PART NO.	FT. REQ'D
A1, A2 A3, A4	028-09951	18.0	028-09951	20.25
B1, B2 B3, B4	028-09951	21.5	028-09951	24.25
C1, C2 C3, C4 C5, C6 C7, C8	028-09951	21.5	028-09951	24.25
D1, D2 D3, D4 D5, D6 D7, D8	028-09951	25.0	028-09951	28.25

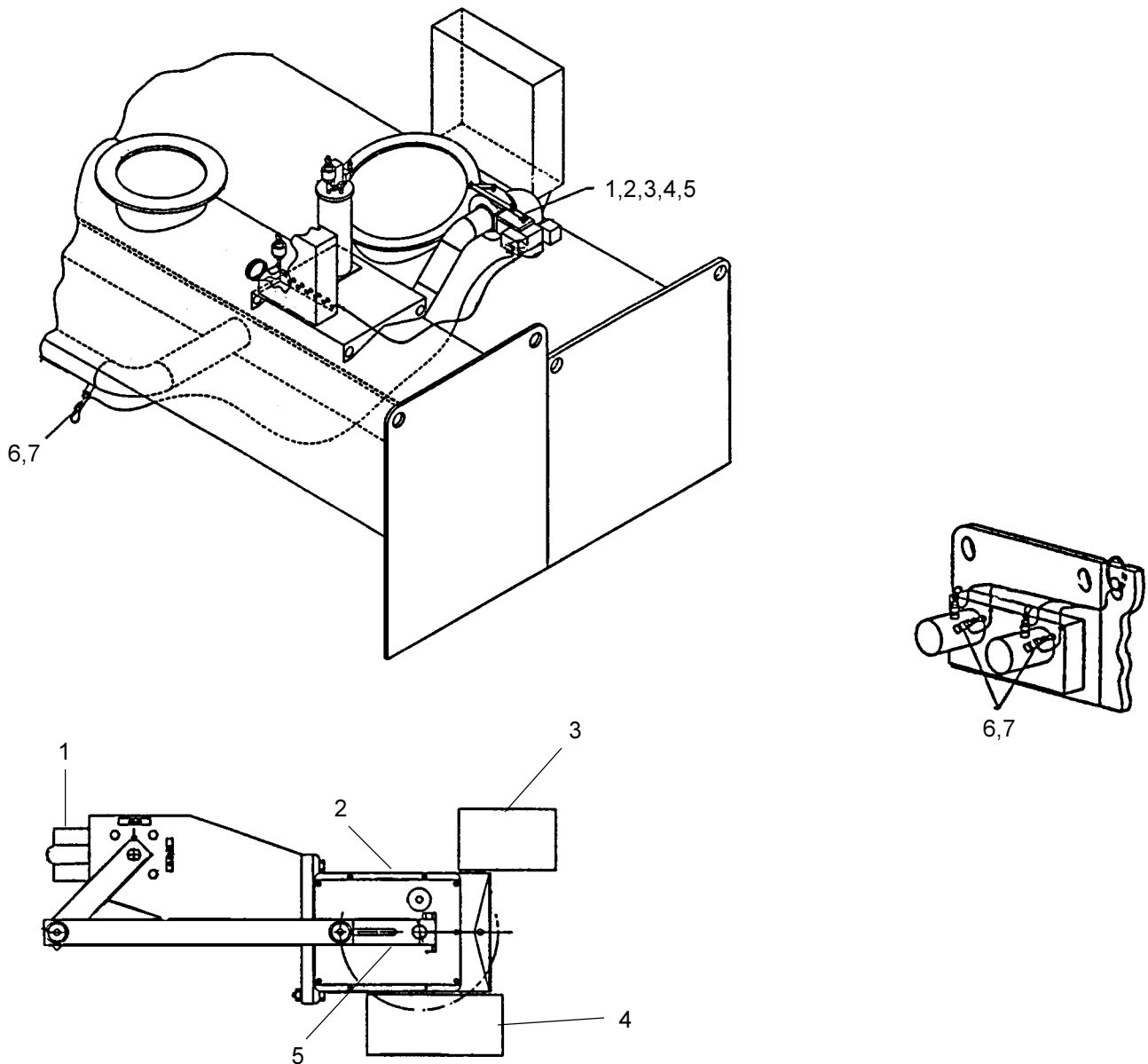
SHELL CODE	1 PASS		2 PASS	
	GASKET PART NO.	FT. REQ'D	GASKET PART NO.	FT. REQ'D
A1, A2 A3, A4	028-03242	36.5	028-03242 028-09951	18.25 13.25
B1, B2 B3, B4	028-03242	43.5	028-03242 028-09951	21.75 15.75
C1, C2 C3, C4 C5, C6 C7, C8	028-03242	43.5	028-03242 028-09951	21.75 15.75
D1, D2 D3, D4 D5, D6 D7, D8	028-03242	50.75	028-03242 028-09951	25.375 18.375

COOLER TUBES

SHELL CODE	TUBE QUANTITY	TUBE TYPES					
		STANDARD	OPTIONS				
		Turbo B II			Turbo Chil CuNi 90/10	Tru-Fin	
		WALL THICKNESS					
		.025	.028	.035	.035	.028	.035
		PART NUMBERS					
G0	200	007-08095	007-08216	007-08258	007-06731	007-08246	007-07695
G1	232	007-08095	007-08216	007-08258	007-06731	007-08246	007-07695
G3	296	007-08095	007-08216	007-08258	007-06731	007-08246	007-07695
H1	321	007-08095	007-08216	007-08258	007-06731	007-08246	007-07695
H3	377	007-08095	007-08216	007-08258	007-06731	007-08246	007-07695
J1	410	007-08095	007-08216	007-08258	007-06731	007-08246	007-07695
J3	484	007-08095	007-08216	007-08258	007-06731	007-08246	007-07695
K1	524	007-08095	007-08216	007-08258	007-06731	007-08246	007-07695
K3	618	007-08095	007-08216	007-08258	007-06731	007-08246	007-07695
K4	413	007-08402	007-08248	007-08229	007-07798	007-08486	007-08487
K6	484	007-08402	007-08248	007-08229	007-07798	007-08486	007-08487
K7	524	007-08402	007-08248	007-08229	007-07798	007-08486	007-08487
K9	618	007-08402	007-08248	007-08229	007-07798	007-08486	007-08487
L1	670	007-08095	007-08216	007-08258	007-06731	007-08246	007-07695
L3	785	007-08095	007-08216	007-08258	007-06731	007-08246	007-07695
L4	670	007-08402	007-08248	007-08229	007-07798	007-08486	007-08487
L6	785	007-08402	007-08248	007-08229	007-07798	007-08486	007-08487

CONDENSER TUBES

SHELL CODE	TUBE QUAN	TUBE TYPES						
		STANDARD	OPTIONS					
		Turbo C II						Turbo Chil
		SMOOTH BORE						CuNi 90/10
		WALL THICKNESS						
		.025	.028	.035	.028	.035	.028	.035
PART NUMBERS								
A1	236	007-08458	007-08488	007-08489	007-08492	007-08493	007-08490	007-08491
A2	269	007-08458	007-08488	007-08489	007-08492	007-08493	007-08490	007-08491
A3	308	007-08458	007-08488	007-08489	007-08492	007-08493	007-08490	007-08491
A4	353	007-08458	007-08488	007-08489	007-08492	007-08493	007-08490	007-08491
B1	406	007-08458	007-08488	007-08489	007-08492	007-08493	007-08490	007-08491
B2	452	007-08458	007-08488	007-08489	007-08492	007-08493	007-08490	007-08491
B3	504	007-08458	007-08488	007-08489	007-08492	007-08493	007-08490	007-08491
B4	563	007-08458	007-08488	007-08489	007-08492	007-08493	007-08490	007-08491
C1	434	007-08458	007-08488	007-08489	007-08492	007-08493	007-08490	007-08491
C2	480	007-08458	007-08488	007-08489	007-08492	007-08493	007-08490	007-08491
C3	532	007-08458	007-08488	007-08489	007-08492	007-08493	007-08490	007-08491
C4	591	007-08458	007-08488	007-08489	007-08492	007-08493	007-08490	007-08491
C5	434	007-08459	007-08494	007-08495	007-08498	007-08499	007-08496	007-08497
C6	480	007-08459	007-08494	007-08495	007-08498	007-08499	007-08496	007-08497
C7	532	007-08459	007-08494	007-08495	007-08498	007-08499	007-08496	007-08497
C8	591	007-08459	007-08494	007-08495	007-08498	007-08499	007-08496	007-08497
D1	657	007-08458	007-08488	007-08489	007-08492	007-08493	007-08490	007-08491
D2	731	007-08458	007-08488	007-08489	007-08492	007-08493	007-08490	007-08491
D3	814	007-08458	007-08488	007-08489	007-08492	007-08493	007-08490	007-08491
D4	908	007-08458	007-08488	007-08489	007-08492	007-08493	007-08490	007-08491
D5	657	007-08459	007-08494	007-08495	007-08498	007-08499	007-08496	007-08497
D6	731	007-08459	007-08494	007-08495	007-08498	007-08499	007-08496	007-08497
D7	814	007-08459	007-08494	007-08495	007-08498	007-08499	007-08496	007-08497
D8	908	007-08459	007-08494	007-08495	007-08498	007-08499	007-08496	007-08497



LD01325

FIG. 24

HOT GAS BYPASS CONTROL

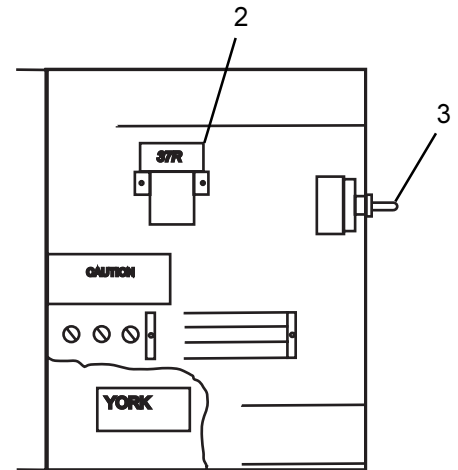
ITEM	COMPRESSOR	DESCRIPTION	SIZE	PART NUMBER	QUANTITY
1	B	Valve, Butterfly	2"	022-05739-000	1
	C		3"	022-05743-000	1
	E,F		4"	022-05745-000	1
2	ALL	Motor, Actuator		025-17521-000	1
3	ALL	Control, Actuator Motor		025-20799-000	1
4	ALL	Control, Hot Gas Bypass		031-00239-000	1
5	ALL	Crank Arm		025-17073-000	1
6	ALL	Sensor		025-29964-000	3
7	ALL	Thermo Well		026-32328-000	3

MULTIPLE UNIT SEQUENCE KIT CONTROLS

TWO UNITS

ITEM	DESCRIPTION	QUANTITY	PART NUMBER
1 ¹	Controller, RWT	1	025-15154-000
2	Relay, Time Delay	1	024-13711-000
3	Switch, Toggle	1	024-14057-000

Note: ¹ Not Shown. Remote Mounted.

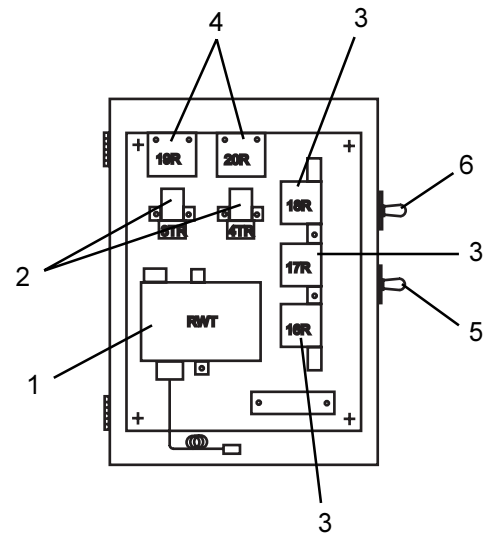


LD01326(A1)

FIG. 25

THREE UNITS

ITEM	DESCRIPTION	QUANTITY	PART NUMBER
1	Controller, RWT	1	025-10215-000
2	Relay, Time Delay	2	024-13711-000
3	Relay, Control	3	024-27246-000
4	Relay, Control	2	024-14519-000
5	Switch, Toggle	1	024-11736-000
6	Switch, Toggle	1	024-17026-000

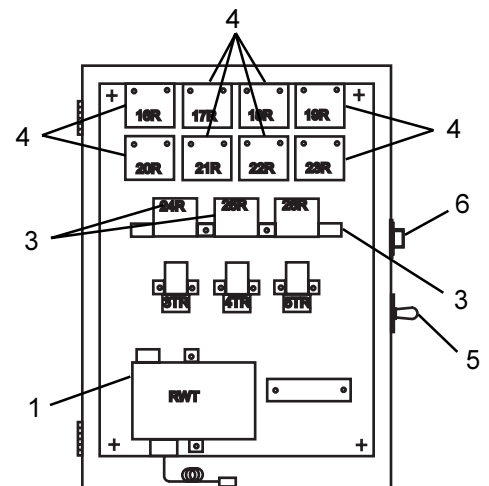


LD01326(A2)

FIG. 26

FOUR UNITS

ITEM	DESCRIPTION	QUANTITY	PART NUMBER
1	Controller, RWT	1	025-10214-000
2	Relay, Time Delay	3	024-13711-000
3	Relay, Control	3	024-27246-000
4	Relay, Control	8	024-14519-000
5	Switch, Toggle	1	024-11736-000
6	Switch, Rotary	1	024-20494-000



LD01326(A3)

FIG. 27

MISCELLANEOUS AND ACCESSORIES

COMPOUND

DESCRIPTION	PART NUMBER	QUANTITY
Compound, Heat Conductive (For Thermometer Wells)	013-00898-000	4 Oz. Can

TOUCH-UP – SPRAY CANS

DESCRIPTION	PART NUMBER
Caribbean Blue Enamel	013-01835-000
Black (Control Center)	Purchase Locally

TEMPERATURE RECORDER

DESCRIPTION		PART NUMBER
HZ	NUM. OF PENS	
60	1	025-09658-000
	2	025-09823-000
50	1	025-12650-000
	2	025-12330-000

FLOW SWITCH CONTROL

DESCRIPTION	PART NUMBER
150 DWP	024-26116-000
300 DWP	024-12144-000

DIFFERENTIAL PRESSURE CONTROL

DESCRIPTION	PART NUMBER
Control, Differential Pressure*	025-30919-000

*300 PSI Maximum Working Pressure

ACCESSORY CONTROL PARTS

DESCRIPTION	PART NUMBER
Card File (Remote Current Setpoint and Temperature Setpoint)	031-00827-000
Cards (Remote Current Setpoint and Temperature Setpoint)	031-00814-000


VARIABLE ORIFICE VALVE

VALVE SIZE	VALVE	O-RING	ACTUATOR	LIQUID LEVEL SENSOR
2"	022-09760-000	028-12961-023	025-33730-000	025-33666-000
3"	022-09761-000	028-12961-025	025-33730-000	025-33666-000
4"	022-09762-000	028-12961-025	025-33730-000	025-33666-000
5"	022-09763-000	028-12961-027	025-33730-000	025-33666-000

SEAL, O-RING, NEOPRENE

PART NUMBER	AS 568-	THREAD SIZE (Nominal Tube Size)	ACTUAL I.D. x Section (Inches)	MATERIAL	R-STD
028-12961-001	904	7/16" - 20 U.N.F. - 2A (1/4" Tube)	.351 +/- .005 x .072 +/- .003	See Note 1	807
028-12961-002	905	1/2" - 20 U.N.F. - 2A (15/16" Tube)	.414 +/- .005 x .072 +/- .003	See Note 1	807
028-12961-003	906	9/16" - 18 U.N.F. - 2A (3/8" Tube)	.468 +/- .005 x .078 +/- .003	See Note 1	807
028-12961-004	908	3/4" - 16 U.N.F. - 2A (1/2" Tube)	.644 +/- .009 x .087 +/- .003	See Note 1	807
028-12961-005	910	7/8" - 14 U.N.F. - 2A (5/8" Tube)	.755 +/- .009 x .097 +/- .003	See Note 1	807
028-12961-006	912	1 1/6" - 12 U.N. - 2A (3/4" Tube)	.924 +/- .009 x .116 +/- .004	See Note 1	807
028-12961-007	914	1 3/6" - 12 U.N. - 2A (7/8" Tube)	1.047 +/- .010 x .116 +/- .004	See Note 1	807
028-12961-008	916	1 5/6" - 12 U.N. - 2A (1" Tube)	1.171 +/- .010 x .116 +/- .004	See Note 1	807
028-12961-009	136	2 1/4" - 12 U.N. - 2A	1.987 +/- .017 x .103 +/- .003	See Note 1	807
028-12961-010	932	2 1/2" - 12 U.N. - 2A	2.337 +/- .018 x .118 +/- .004	See Note 1	807
028-12961-011	011	9/16" - 18 U.N.F. - 2A (1/4" Face Seal)	.301 +/- .005 x .070 +/- .003	See Note 1	807
028-12961-012	012	11/16" - 16 U.N.F. - 2A (3/8" Face Seal)	.364 +/- .005 x .070 +/- .003	See Note 1	807
028-12961-013	014	13/16" - 16 U.N.F. - 2A (1/2" Face Seal)	.489 +/- .005 x .070 +/- .003	See Note 1	807
028-12961-014	016	1" - 14 U.N.F. - 2A (5/8" Face Seal)	.614 +/- .009 x .070 +/- .003	See Note 1	807
028-12961-015	018	1 3/6" - 12 U.N. - 2A (3/4" Face Seal)	.739 +/- .009 x .070 +/- .003	See Note 1	807
028-12961-016	021	1 7/16" - 12 U.N. - 2A (1" Face Seal)	.926 +/- .009 x .070 +/- .003	See Note 1	807
028-12961-017	920	1 5/8" - 12 U.N. - 2A (1 1/4" Tube)	1.475 +/- .014 x .118 +/- .004	See Note 1	807
028-12961-018	022	1 1/8" - 18 U.N.E.F. - 2A	.989 +/- .010 x .070 +/- .003	See Note 1	807
028-12961-019	029	2 1/2" U.N. - 2A (1 1/2" Face Seal)	1.489 +/- .013 x .070 +/- .003	See Note 1	807
028-12961-020	924	1 7/8" - 12 U.N. - 2A (1 1/2" Tube)	1.720 +/- .014 x .118 +/- .004	See Note 1	807
028-12961-021	903	3/8" - 24 U.N.F. - 2A (3/16" Tube)	.301 +/- .005 x .064 +/- .003	See Note 1	807
028-12961-022	025	1 11/16" - 12 U.N. - 2A (1 1/4" Face Seal)	1.176 +/- .011 x .070 +/- .003	See Note 1	807
028-12961-909		NEN 176 - G2	55.25mm .4mm X Dia. 2.62mm (5.39mm .1mm)	See Note 1	Use material as in -009

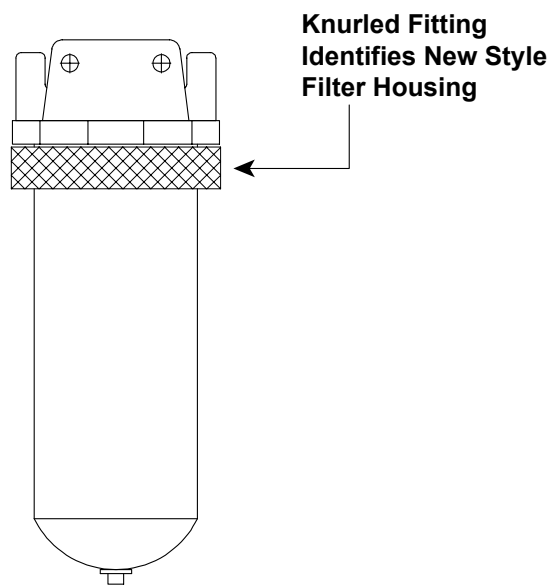
NOTE: 1. Red Neoprene per ASTM D2000M3BC710A14B14E014E034Z or Black Neoprene per ASTM D2000M3BC710A14B14E014E034

	Form No.: 160.48-RP6 (LS01)	703
	Supersedes: None	
LITERATURE SUPPLEMENT	File with: 160.48-RP6 (501)	
Subject: YT Style "J" Chillers New Style Oil Filter/"O"-Ring		

General

Recently YORK started supplying YT compressors with an oil filter housing that has a large knurled fitting used to secure the bowl of the housing to the housing head.

The replacement part number for the **3-micron element** for this oil filter is **026-37915-000**.
 The replacement **o-ring** used for the bowl is **028-14404-000**.
 These parts are also available in **kit** form. The part number of the kit is **364-50439-000**.



THIS PAGE INTENTIONALLY LEFT BLANK

