



CENTRIFUGAL COMPRESSORS

RENEWAL PARTS

Supersedes: See Back Cover

Form 160.48-RP2 (297)

MODELS YDTL 131 & 144 STYLE F

COMPRESSOR MODEL	COMPRESSOR CODE	COMPRESSOR PART NO.
YDT L 131	F 1	364-47558-002
YDTL144	F2	364-47558-003

SPECIAL TOOLS AND SUPPLIES

COMPRESSOR TOOLS (464-47047)

ITEM	DESCRIPTION	PER UNIT	PART NO.
1	Tool-Gear Lock	1	064-47029
2	Scr., Cap 3/8-16 x 1-3/4	2	021-01505
3	Scr. Cap 3/8-16 x 2-1/2	2	021-10037
4	Nut Hex Hvy. 1/2-20 UNF	2	021-00483
5	Stud Spl. 1/2 20 x 9	1	064-14500
6	Bolt, Eye 5/8	2	021-12366
7	Bolt, Eye 1/2	2	021-14620
8	Scr. Set 3/8-16 x 1/2	2	021-00774
9	Filipiece 1/2 Sch. 80 x 5/16 Lg.	2	064-47030
10	Hook, Tool	2	064-46610
11	Pin, Guide 1/2-13 x 7-1/2 Lg.	2	064-46246
12	Pin, Guide 3/8-16 x 7-1/2 Lg.	2	064-18716
13	Pin, Guide 1/2-20 x 8 Lg.	2	06446499
14	Nut Hex 1/2-20	4	021-00450
15	Bar Tool	1	064-47031
16	Tool, Coupling Puller	1	064-47411
17*	Set Screw	1	021-08199
18*	Cap Screw	2	021-16815
19*	Washer	2	021-01275
20*	Nut, Hex	2	021-00476
21**	Conn, Pipe	1	023-15508
22	Plate, Tool End	1	064-47415
23	Bolt, Eye 1	2	021-17218

*Use with Item 16

**Use with Item 22

TOOLS

DESCRIPTION	PART NO.
Hand Oil Pump	470-10654
Hand Oil Pump Seal	028-03292

SEALERS, ADHESIVES, & INSULATION TAPE

ITEM	DESCRIPTION	PART NO.
1	Varnish, Scotch Cast Resin No. 2	013-01016
2	Sealant	044-00892
3	Sealer CR CV	013-01678
4	Adhesive	013-00852
5	Adhesive Sealing	013-02065
6	Tape Motor Terminal Insul.	010-04101
7	Coating Rust Preventive	013-02419

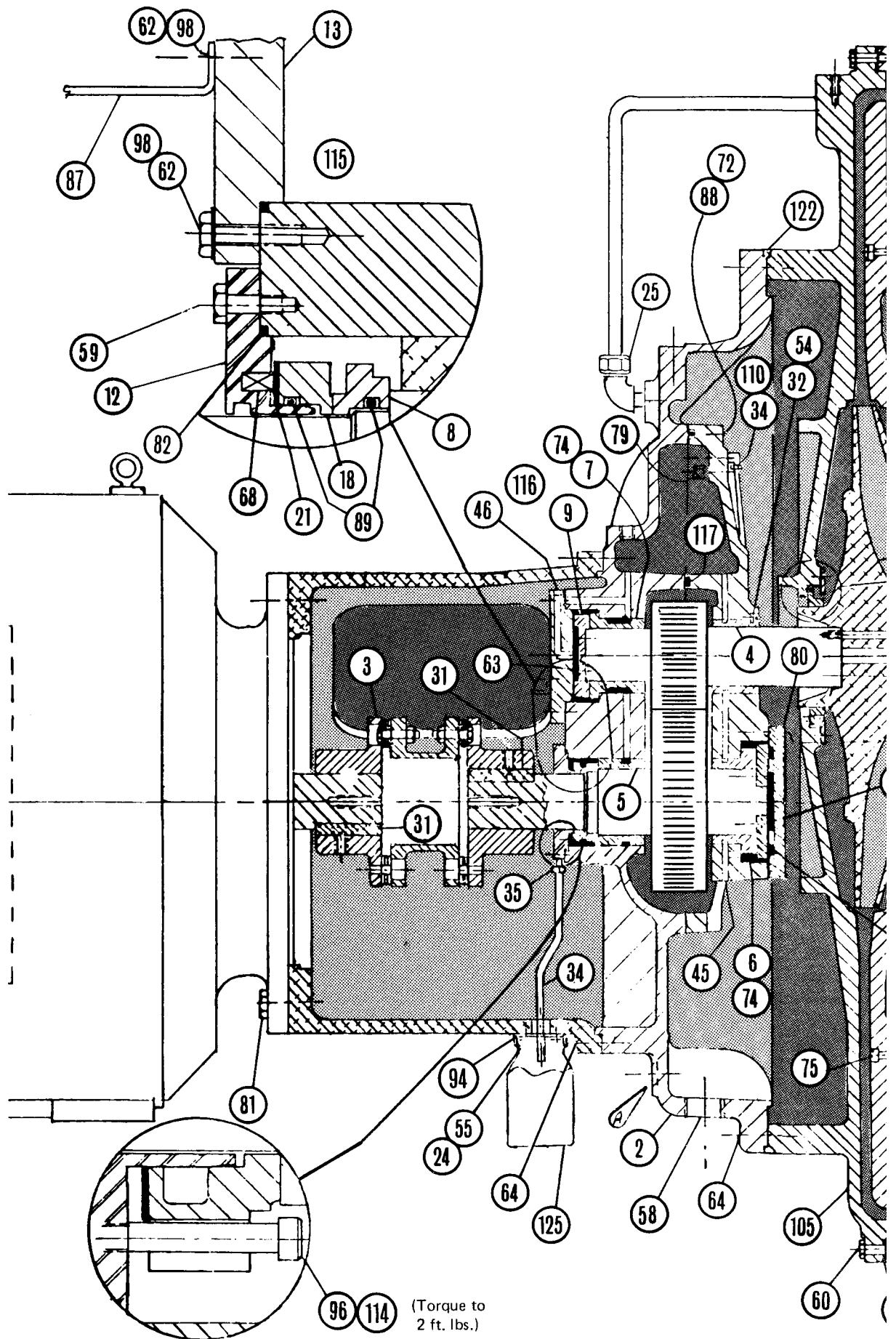
LUBRICANTS, OILS AND COMPOUNDS

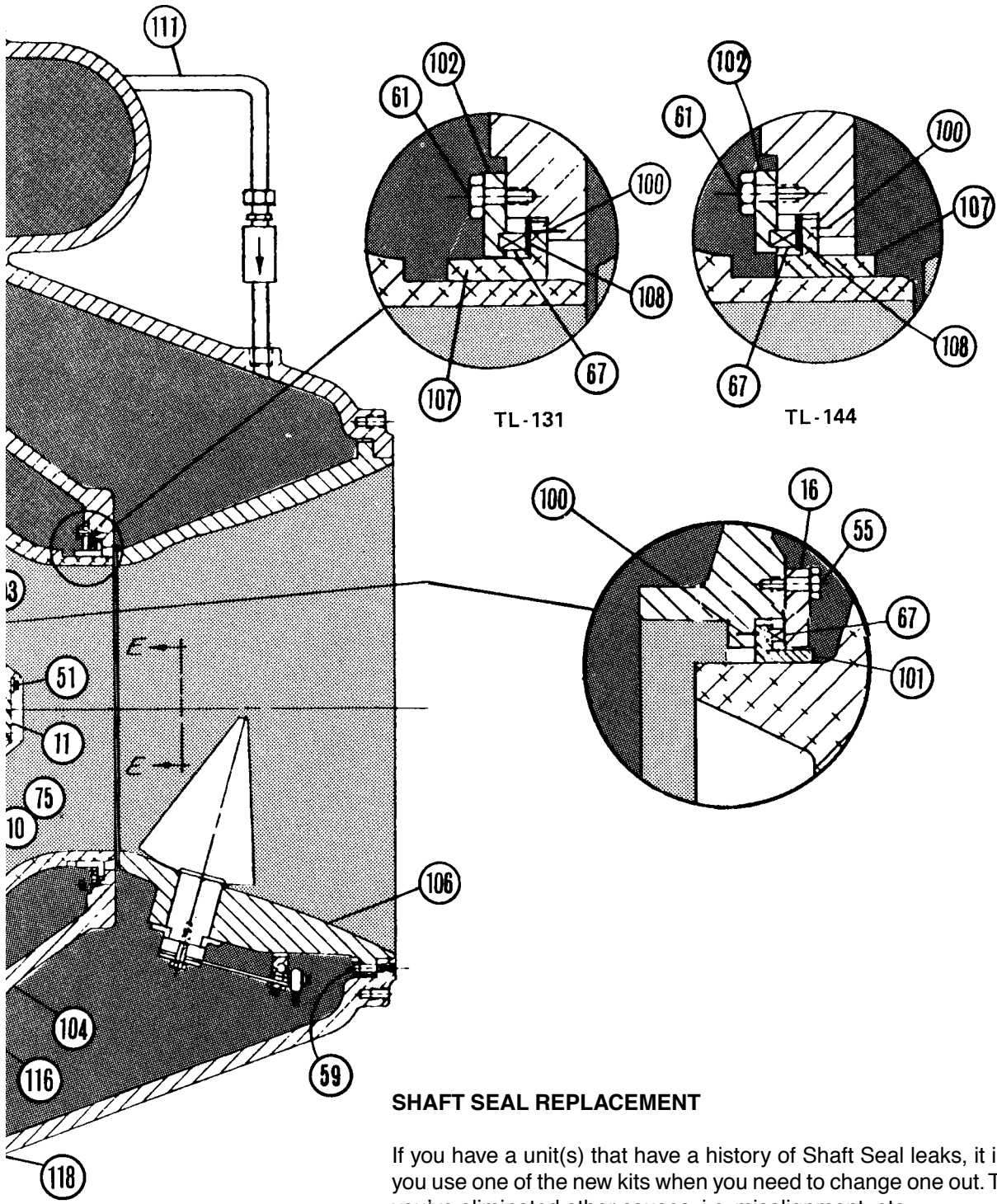
DESCRIPTION	PART NO.
Thread Compound, ARI High Pressure – 1/4 Pt. Can	464-14934
Coating Lubricant-Molykote, Type Z-2 Oz. Can	364-21508
Oil, York Refrigeration – Type C-5 Gal. Can	011-00312
Oil Filter Element	026-11225

COMPRESSOR PARTS LIST MODELS YDTL 131 & 144

ITEM	DESCRIPTION	QUAN.	PART NO.	ITEM	DESCRIPTION	QUAN.	PART NO.
1	Scroll, Rotor	1	064-47011	69	Lockwasher, 1/4"	2	021-05267
2	Support, Rotor with Bear. Hous.	1	364-47553	70	Nut, 1/2" Hex	4	021-10171
3	Coupling, Flex	1	029-20204	71	Nut, 1/4" Hex	8	021-00450
4	Bearing, H.S. Front	1	064-47541	72	Pin, Dowel	2	029-18460
5	Bearing, L.S. Rear	1	064-47544	73	Screw, Cap 1/4"	3	021-11914
6	Bearing, L.S. Thrust	1	064-47543	74	Pin, Slot, Spring	2	029-03991
7	Bearing, H.S. Thrust	1	064-47542	75	Screw, Cap, Socket HD.	12	021-08946
8	Collar, Shaft Seal*	1	064-47551	76	Gasket, Bellows Cover	1	028-00781
9	Collar, Thrust, H.S.	1	064-47547	77	Cover, Motor Support	2	064-47536
10	Collar, Thrust, L.S.	1	064-47770	78	Plug, Pipe 3/4" Sq. HD.	1	023-04208
11	Collar, Impeller, Clamping	1	064-47549	79	Valve, Oil Check	1	022-04444
12	Cover, Shaft Seal*	1	064-47550	80	Bearing, Thrust (L.S.)	1	029-20839-001
13	Cover, Thrust, H.S.	1	064-47545	81	Screw, Cap 3/4"	8	021-01661
14	Cover, PRV Shaft Control	1	064-13909	82	Seal, "O" Ring	1	028-12205
15	Shaft, Control, PRV	1	364-29573	83	Cap, Sealing	1	028-08481
16	Retainer, BP SEAL	1	064-47540	84	Seal, "O" Ring	2	028-12200
17	Filter, Oil	1	026-21982	85	Seal, "O" Ring	1	028-12201
18	Ring, Shaft Seal*	1	029-20282	86	Screw, Cap, 3/8" 12 Pt. HD	2	021-11979
19	Valve, Stop Angle	2	022-03850	87	Guard, Coupling	1	064-47552
20	Ring, Fill Kit	1	064-28284	88	Screw, Cap, 3/8" Hex	20	021-10037
21	Washer, Shaft Seal*	1	064-47555	89	Seal, "O" Ring	2	028-10047
22	Washer, PRV	1	064-08815	90	Plug, Pipe 1"	1	023-45909
23	Washer, Plain 9/32" I.D. x 5/8" O.D.	4	021-05165	92	Plug, Pipe 1/2"	2	023-01994
24	Washer, Plain .265" I.D. x 1/2" O.D.	2	021-10189	93	Screw, Cap, Hex HD -1/4"	1	021-42739
25	Elbow, Flare	2	023-10700	94	Cap, Metal	1	066-89574
26	Lever, Internal	1	364-47010	95	Screw, Cap, Soc. HD -1/4"	4	021-02578
27	Lever, PRV	1	064-47109	96	Screw, Shld. Soc. HD - 1"	3	021-17294
28	Arm, Motor & PRV	1	064-46881	97	Screw, Cap, Hex HD - 3/8"	2	021-08876
29	Link, External, PRV	1	064-46880	98	Washer, Plain, Hardened	1	021-16814
30	Rod, Adjustment, PRV	1	064-46877	99	Screw, Cap, 12 Pt. HD -1/2"	1	021-11515
31	Key, Coupling	2	064-47333	100	Pin, Spring, Slotted - 3/16" x 1/2"	2	029-04138
32	Retainer, Bearing	1	064-46886	101	Ring, Seal		
33	Tube, Oil Inlet	1	064-47886		YDTL 131	1	06447538
34	Tube, 9" Long	1	064-47557		YDTL 144	1	064-47539
35	Connection, Flare	1	023-09668	102	Retainer, Eye Seal		
36	Connection, Flare	1	023-10696		YDTL 131	1	064-46828
37	Sensor, Temperature	1	025-28936		YDTL 144	1	064-46829
38	Plunger, Valve	1	064-14790	103	Impeller		
39	Spring Valve	1	029-06143		YDTL 131	1	064-46785-001
40	Valve, Oil Relief	1	022-08700		YDTL 144	1	064-46786-001
41	Valve, Stop Angle	2	022-03836	104	Plate, Nozzle Base		
42	Plug, Hex	1	064-46282		YDTL 131	1	064-47065
43	Nipple, Pipe	1	023-14471		YDTL 144	1	064-47066
44	Elbow, Flare	1	023-11364	105	Plate, Diffuser		
45	Plug, Pipe, 1/4" Hex Socket	4	023-01973		YDTL 131	1	064-47533
46	Plug, Pipe, 1/8" Hex Socket	1	023-01970		YDTL 144	1	064-47534
47	Bolt, Shoulder	1	064-28282	106	Device, Pre-rotation	1	See Page 5
48	Bolt, Shoulder	1	064-28262	107	Ring, Seal (Eye)		
49	Bearing, Rod End	2	029-07015		YDTL 131	1	064-46871
50	Screw, Cap 12 Pt. Head	1	021-11998		YDTL 144	1	064-46872
51	Screw, Cap 12 Pt. Head	7	021-16501	108	Plate, Eye Seal	1	
52	Screw, Cap 12 Pt. Head	1	021-11517		YDTL 131	1	064-46875
53	Screw, Cap 12 Pt. Head	2	021-11175		YDTL 144	1	064-46876
54	Screw, Cap 12 Pt. Head	1	021-11970	109	Nipple, 3/4"	1	023-14656
55	Screw, Cap Hex. Head	5	021-01372	110	Elbow, Flare	1	023-09677
56	Fillpiece, PR Device	1	064-47002	111	Tube Equalizing	1	064-47933
57	Tee, 3/4" x 3/4"	1	023-11331	112	Motor Actuator	1	025-18411
58	Plug, Pipe 2" Sq. Head	1	023-42024	113	Screw Cap, Hex - 3/8"	13	021-01477
59	Screw, Cap - 3/8"	9	021-01485	114	Sealer, Removable	1	013-01678
60	Screw, Cap - 1/2"	60	021-02751	115	Seal, O-Ring	1	028-12207
61	Screw, Cap - 1/4"	6	021-02751	116	Seal, O-Ring	2	028-11998
62	Screw, Cap - 3/8"	6	021-01497	117	Seal, O-Ring	1	028-12206
63	Screw, Cap - 1/4"	4	021-13223	118	Seal, O-Ring	1	028-10834
64	Screw, Cap - 1/2"	42	021-11190	119	Gasket	1	064-46999
65	Screw, Set Hex HD.	1	021-43910	120	Seal, O-Ring	1	028-12209
66	Bushing, 3/4"	1	023-04039	121	Gasket	1	065-21657
67	Spring, Helical	28	029-10757	122	Gasket	1	064-47451
68	Spring, Helical	6	029-13770-004	123	Gasket, Suction Conn.	1	075-02356
				124	Gasket, Discharge Conn.	1	075-02355
				125	Bottle, Oil Catch	1	028-10579

*Note – For more information on Shaft Seal replacement, see page 3A.



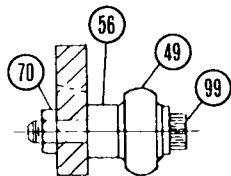
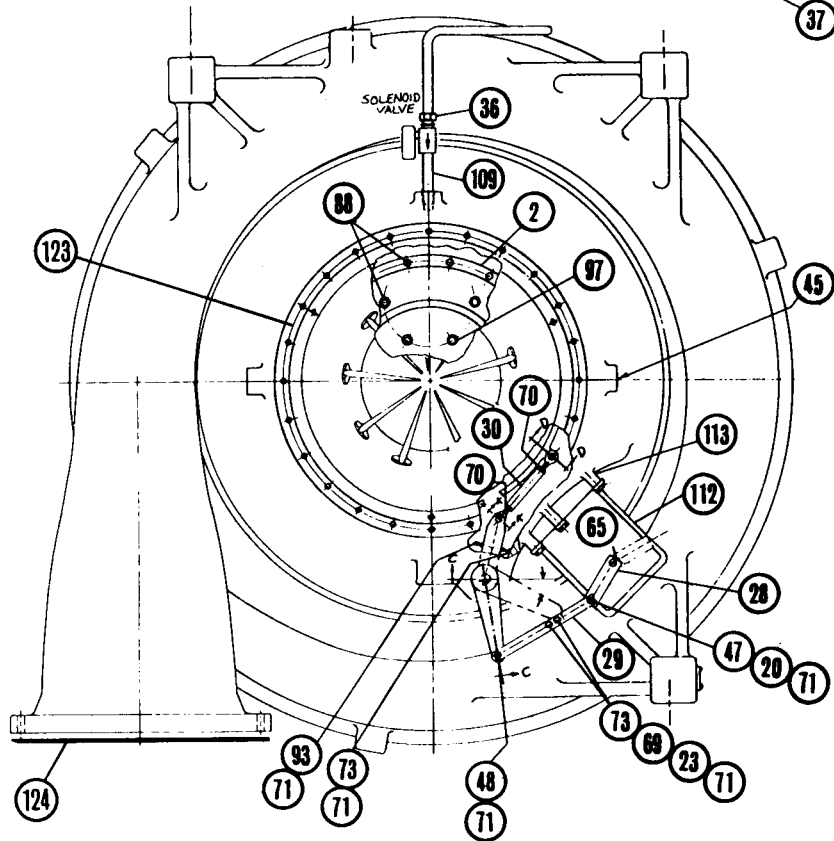
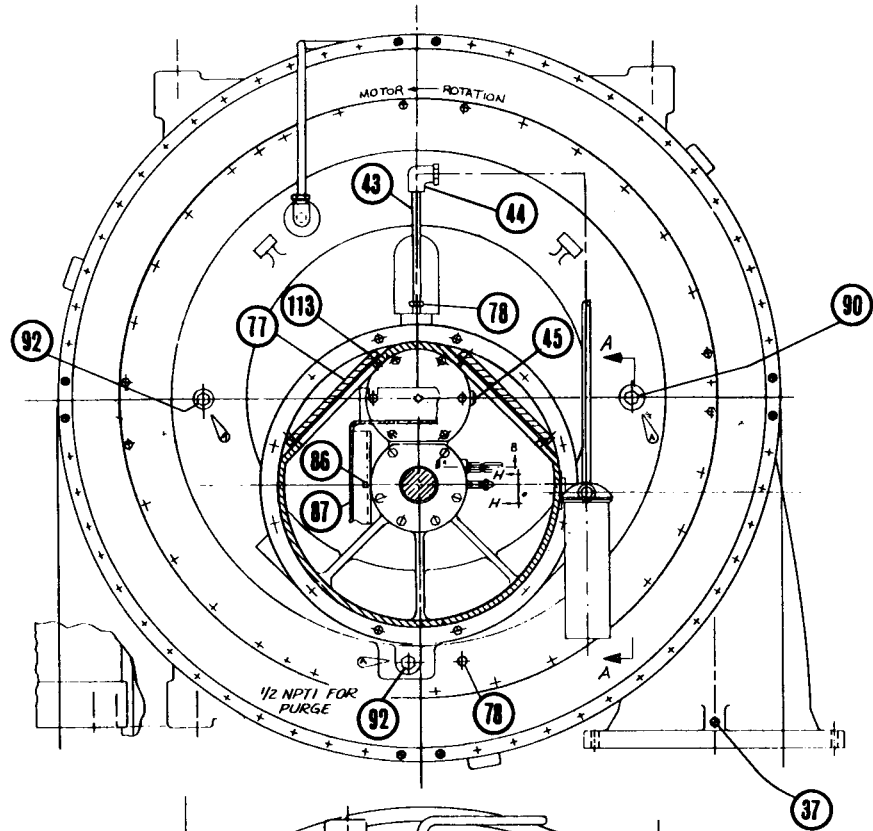


SHAFT SEAL REPLACEMENT

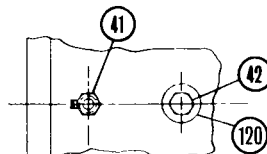
If you have a unit(s) that have a history of Shaft Seal leaks, it is recommended that you use one of the new kits when you need to change one out. This is, of course, one you've eliminated other causes, i.e. misalignment, etc.

The new kits have been set up in two (2) categories. They are:

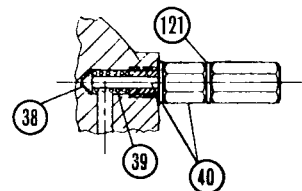
1. **Replacement** – (Part No. 464-47829) This kit is needed to make the initial changeout to the new style seal. It will contain a new cover plate.
2. **Maintenance** – (Part No. 464-47830) This kit is used after the initial changeout and does not contain the cover plate.



SECTION D-D

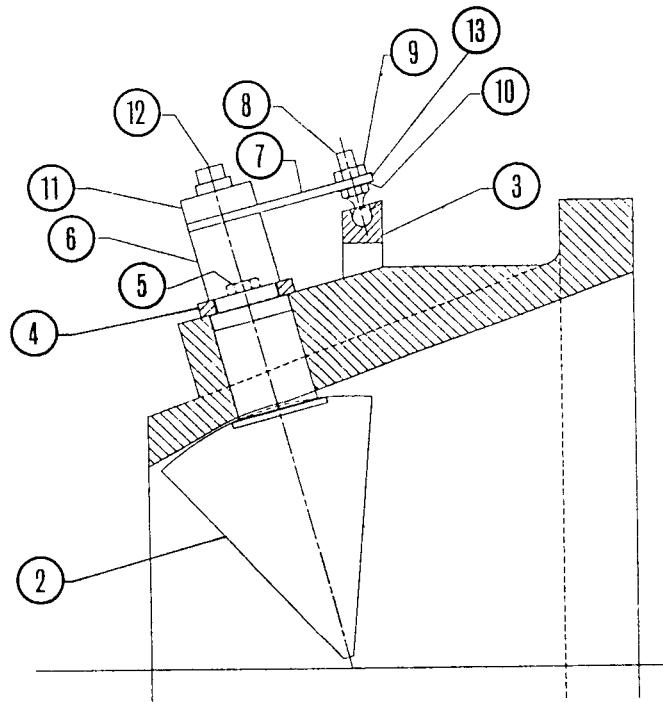
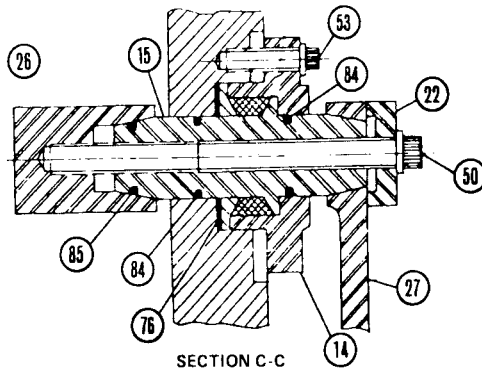
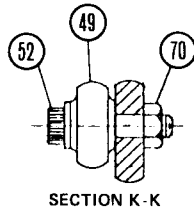
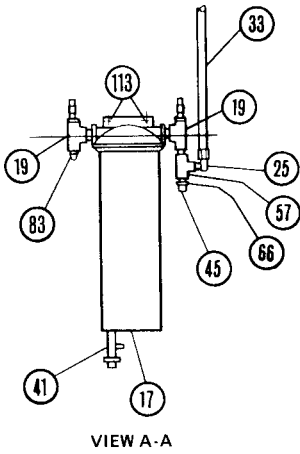


VIEW H-H



SECTION B-B

LD01224



LD01225

ITEM NO.	DESCRIPTION	YDTL 131		YDTL 144	
		QUAN.	PART NO.	QUAN.	PART NO.
	Pre-rotation Housing Assembly Complete (Consisting of Following Items)	1	364-47320-002	1	36447320-003
1	Housing, Pre-rotation Vanes	1	064-46794	1	064-46795
2	Vane, Pre rotation	9	064-47316	9	064-47316
3	Ring, Vane Driving	1	064-46784	1	064-46784
4	Ring, Stop	9	064-46808	9	064-46808
5	Screw, 1/4"	18	021-01372	18	021-01372
6	Washer, Special	9	064-47317	9	064-47317
7	Arm, Vane	9	064-47319	9	064-47319
8	Stud, Ball	9	029-07017	9	029-07017
9	Nut, Hex -1/4"	9	021-12943	9	021-12943
10	Washer	18	021-10189	18	021-10189
11	Washer	9	064-47318	9	064-47318
12	Screw - 5/8"	9	021-12347	9	021-12347
13	Washer	27	021-11973	27	021-11973

GEAR SETS

740 & BELOW MOTOR HP	
SPEED CODE	PART NO.
BF	029-14400B500
BG	029-14400B501
BH	029-14400B502
BJ	029-14400B503
BK	029-14400B504
BL	029-14400B505
BM	029-14400B506
BN	029-14400B507
BP	029-14400B508
BQ	029-14400B509
BR	029-14400B510
BS	029-14400B511
BT	029-14400B512
BU	029-14400B513
BV	029-14400B514
BW	029-14400B515
BX	029-14400B516
BY	029-14400B517
BZ	029-14400B518
CA	029-14400B519
CB	029-14400B520
CC	029-14400B521
CD	029-14400B522
CE	029-14400B523
CF	029-14400B524
CG	029-14400B525
CH	029-14400B526
CJ	029-14400B527
CK	029-14400B528
CL	029-14400B529
CM	029-14400B530
CN	029-14400B531
CP	029-14400B532
CQ	029-14400B533
CR	029-14400B534
CS	029-14400B535
CT	029-14400B536
CU	029-14400B537
CV	029-14400B538
CW	029-14400B539
CX	029-14400B540

ABOVE 740 MOTOTR HP	
SPEED CODE	PART NO.
GK	029-14400B940
GL	029-14400B941
GM	029-14400B942
GN	029-14400B943
GP	029-14400B944
GQ	029-14400B945
GR	029-14400B946
GS	029-14400B947
GT	029-14400B948
GU	029-14400B949
GV	029-14400B950
GW	029-14400B951
GX	029-14400B952
GY	029-14400B953
GZ	029-14400B954
HA	029-14400B955
HB	029-14400B956
HC	029-14400B957
HD	029-14400B958
HE	029-14400B959
HF	029-14400B960
HG	029-14400B961
HH	029-14400B962
HJ	029-14400B963
HK	029-14400B964
HL	029-14400B965
HM	029-14400B966
HN	029-14400B967
HP	029-14400B968
HQ	029-14400B969
HR	029-14400B970
HS	029-14400B971
HT	029-14400B972
HU	029-14400B973
HV	029-14400B974
HW	029-14400B975
HX	029-14400B976
HY	029-14400B977
HZ	029-14400B978
JA	029-14400B979
JB	029-14400B980
JC	029-14400B981
JD	029-14400B982
JE	029-14400B983
JF	029-14400B984
JG	029-14400B985

60 HZ MOTORS

MOTOR CODE	NAMEPLATE VOLTAGE	MOTOR PART NUMBER			MOTOR SUPPORT
		RELIANCE	SIEMENS	TOSHIBA	
CS	200 or 208	024-24056-010	—	—	064-47535 ↓
CS	230 or 240	024-24056-011	—	—	
CS	380	024-24056-012	024-24056-212	024-24056-612	
CS	416	024-24056-013	024-24056-213	024-24056-613	
CS	440, 460 or 480	024-24056-014	024-24056-214	024-24056-614	
CS	575 or 600	024~24056-015	024-24056-215	024-24056-615	
CS	2300	024-24056 016	024-24056-216	—	
CS	3300	024-24056-017	024-24056-217	—	
CS	4000 or 4160	024-24056-018	024-24056-218	—	
CT	230 or 240	024-24056-020	—	—	
CT	380	024-24056-021	024-24056-221	024-24056-621	
CT	416	024-24056-022	024-24056-222	024-24056-622	
CT	440, 460 or 480	024-24056-023	024-24056-223	024-24056-623	
CT	575 or 600	024-24056-024	024-24056-224	024-24056-624	
CT	2300	024-24056-025	024-24056-225	—	
CT	3300	024-24056-026	024-24056-226	—	
CT	4000 or 4160	024-24056-027	024-24056-227	—	
CU	230 or 240	024-24056-029	—	—	
CU	380	024-24056-030	024-24056-230	024-24056-630	
CU	416	024-24056-031	024-24056-231	024-24056-631	
CU	440, 460 or 480	024-24056-032	024-24056-232	024-24056-632	
CU	575 or 600	024-24056-033	024-24056-233	024-24056-633	
CU	2300	024-24056-034	024-24056-234	—	
CU	3300	024-24056-035	024-24056-235	—	
CU	4000 or 4160	024-24056-036	024-24056-236	—	
CV	380	024-24056-039	024-24056-239	—	
CV	416	024-24056-040	024-24056-240	024-24056-640	
CV	440, 460 or 480	024-24056-041	024-24056-241	024-24056-641	
CV	575 or 600	024-24056-042	024-24056-242	024-24056-642	
CV	2300	024-24056-043	024-24056-243	—	
CV	3300	024-24056-044	024-24056-244	—	
CV	4000 or 4160	024-24056-045	024-24056-245	—	
CW	380	024-24056-048	024-24056-248	—	
CW	416	024-24056-049	024-24056-249	—	
CW	440, 460 or 480	024-24056-050	024-24056-250	024-24056-650	
CW	575 or 600	024-24056-051	024-24056-251	024-24056-651	
CW	2300	024-24056-052	024-24056-252	—	
CW	3300	024-24056-053	024-24056-253	—	
CW	4000 or 4160	024-24056-054	024-24056-254	—	

60 HZ MOTORS

(Continued)

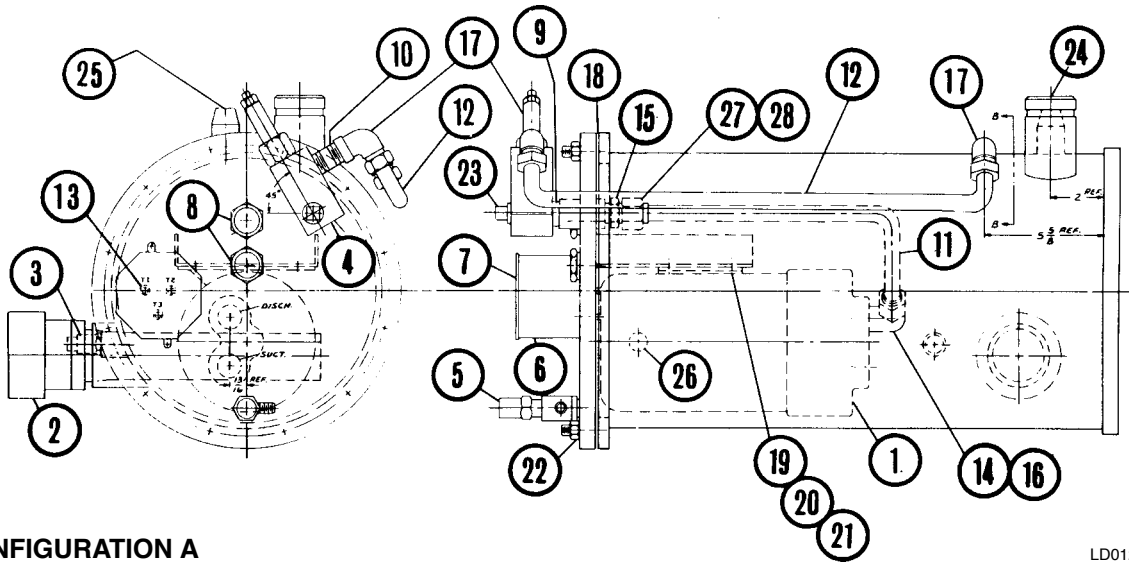
MOTOR CODE	NAMEPLATE VOLTAGE	MOTOR PART NUMBER			MOTOR SUPPORT
		RELIANCE	SIEMENS	TOSHIBA	
CX	380	024-24056-057	024-24056-257	—	064-47535 ↓
CX	416	024-24056-058	024-24056-258	—	
CX	440, 460 or 480	024-24056-059	024-24056-259	—	
CX	575 or 600	024-24056-060	024-24056-260	—	
CX	2300	024-24056-061	024-24056-261	—	
CX	3300	024-24056-062	024-24056-262	—	
CX	4000 or 4160	024-24056-063	024-24056-263	—	
CY	380	024-24056-066	024-24056-266	—	
CY	416	024-24056-067	024-24056-267	—	
CY	440,460 or 480	024-24056-068	024-24056-268	—	
CY	575 or 600	024-24056-069	024-24056-269	—	
CY	2300	024-24056-070	024-24056-270	—	
CY	3300	024-24056-071	024-24056-271	—	
CY	4000 or 4160	024-24056-072	024-24056-272	—	
CZ	380	024-24056-075	024-24056-275	—	064-47402 ↓
CZ	416	024-24056-076	024-24056-276	—	
CZ	440, 460 or 480	024-24056-077	024-24056-277	—	
CZ	575 or 600	024 24056-078	024-24056-278	—	
CZ	2300	024-24056-079	024-24056-279	—	
CZ	3300	024-24056-080	024-24056-280	—	
CZ	4000 or 4160	024-24056-081	024-24056-281	—	
CA	380	024-24056-084	024-24056-284	—	
CA	416	024-24056-085	024-24056-285	—	
CA	440, 460 or 480	024-24056~086	024-24056-286	—	
CA	575 or 600	024-24056-087	024-24056-287	—	
CA	2300	024-24056-088	024-24056-288	—	
CA	3300	024-24056-089	024 24056-289	—	
CA	4000 or 4160	024-24056-090	024-24056-290	—	
CB	380	024-24056-093	024-24056-293	—	
CB	416	024-24056-094	024-24056-294	—	
CB	440, 460 or 480	024-24056-095	024-24056-295	—	
CB	575 or 600	024-24056-096	024-24056-296	—	
CB	2300	024-24056-097	024-24056-297	—	
CB	3300	024-24056-098	024-24056-298	—	
CB	4000 or 4160	024-24056-099	024-24056-299	—	

50 HZ MOTORS

(Continued)

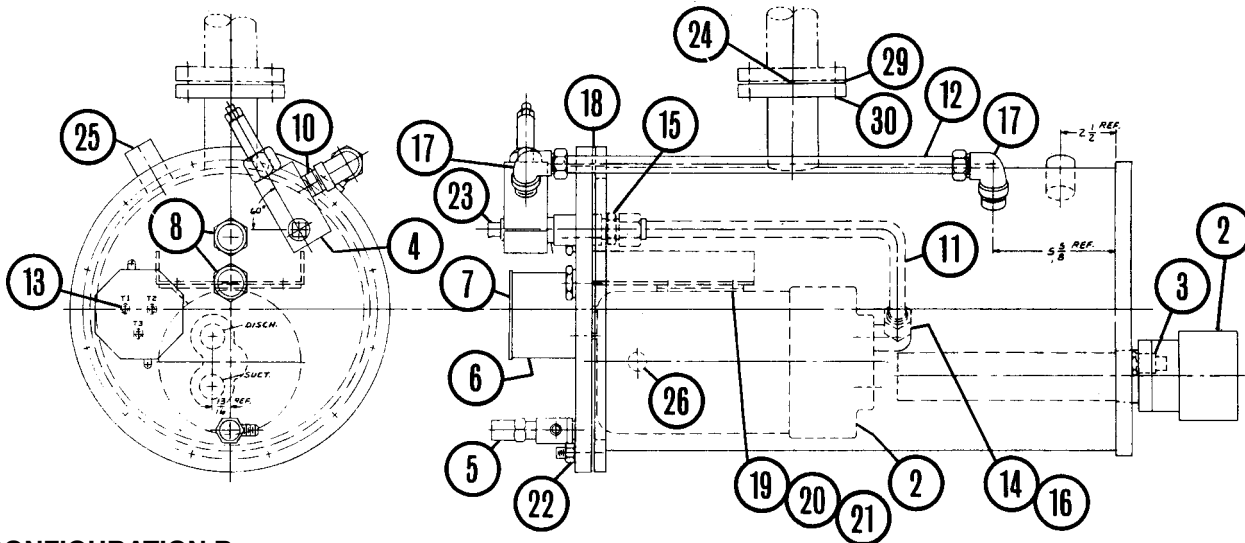
MOTOR CODE	NAMEPLATE VOLTAGE	MOTOR PART NUMBER			MOTOR SUPPORT
		RELIANCE	SIEMENS	TOSHIBA	
5CS	346	024-24056-076	024-24056-276	—	064-47535 ↓
5CS	380 or 400	024-24056-077	024-24056-277	—	
5CS	415	024-24056-176	024-24056-376	—	
5CS	440	024-24056-177	024-24056-377	—	
5CS	500	024-24056-078	024-24056-278	—	
5CS	2300	024-24056-179	024-24056-379	—	
5CS	3000	024-24056-180	024-24056-380	—	
5CS	3300	024-24056-081	024-24056-281	—	
5CT	346	024-24056-085	024-24056-285	—	
5CT	380 or 400	024-24056-086	024-24056-286	—	
5CT	415	024-24056-185	024-24056-385	—	
5CT	440	024-24056-186	024-24056-386	—	
5CT	500	024-24056-087	024-24056-287	—	
5CT	2300	024-24056-188	024-24056-388	—	
5CT	3000	024-24056-189	024-24056-389	—	
5CT	3300	024-24056-090	024-24056-290	—	
5CU	346	024-24056-094	024-24056-294	—	064-47402 ↓
5CU	380 or 400	024-24056-095	024-24056-295	—	
5CU	415	024-24056-194	024-24056-394	—	
5CU	440	024-24056-195	024-24056-395	—	
5CU	500	024-24056-096	024-24056-296	—	
5CU	2300	024-24056-197	024-24056-397	—	
5CU	3000	024-24056-198	024-24056-398	—	
5CU	3300	024-24056-099	024-24056-299	—	
5CV	346	024-24056-702	024-24056-902	—	
5CV	380 or 400	024-24056-703	024-24056-903	—	
5CV	415	024-24056-704	024-24056-904	—	
5CV	440	024-24056-705	024-24056-905	—	
5CV	500	024-24056-706	024-24056-906	—	
5CV	2300	024-24056-707	024-24056-907	—	
5CV	3000	024-24056-708	024-24056-908	—	
5CV	3300	024-24056-709	024-24056-909	—	
5CW	346	024-24056-711	—	—	
5CW	380 or 400	024-24056-712	—	—	
5CW	415	024-24056-713	—	—	
5CW	440	024 24056-714	—	—	
5CW	500	024-24056-715	—	—	
5CW	2300	024-24056-716	024-24056-916	—	
5CW	3000	024-24056-717	024-24056-917	—	
5CW	3300	024-24056-718	024-24056-918	—	
5CX	346	024-24056-720	—	—	
5CX	380 or 400	024-24056-721	—	—	
5CX	415	024-24056-722	—	—	
5CX	440	024-24056-723	—	—	
5CX	500	024-24056-724	—	—	
5CX	2300	024 24056-725	024-24056-925	—	
5CX	3000	024-24056-726	024-24056-926	—	
5CX	3300	024-24056-727	024-24056-927	—	

OIL SUMP ASSEMBLY



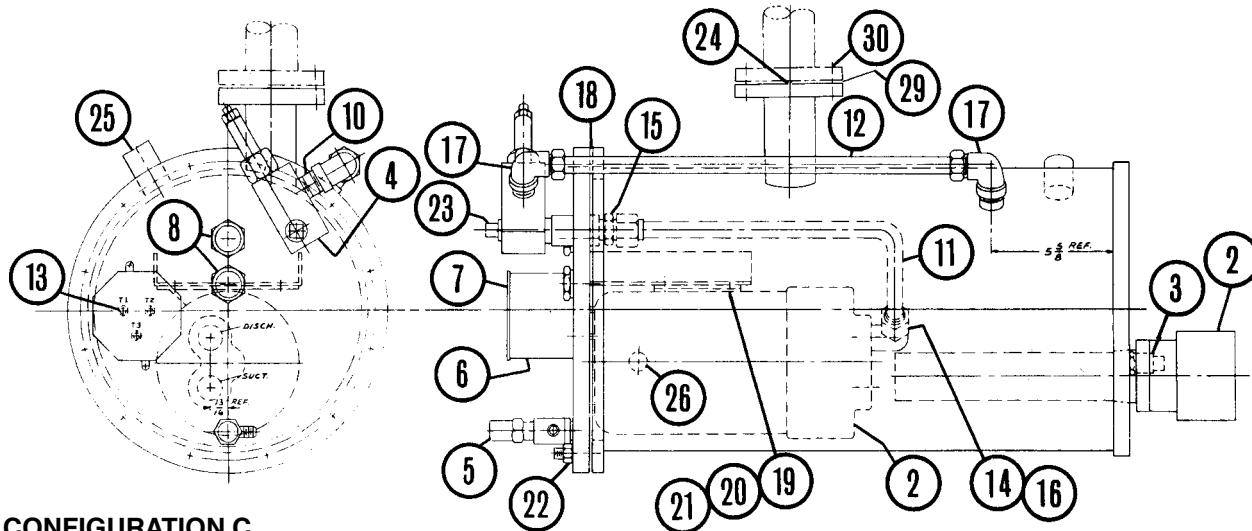
CONFIGURATION A

LD01226



CONFIGURATION B

LD01227



CONFIGURATION C

LD01228

OIL SUMP ASSEMBLY

*Oil Sump assemblies are of three different configurations based on connection arrangement. These arrangements are shown on Page 11. Select parts from corresponding column in table below.

ITEM NO.	DESCRIPTION	QUAN.	PART NUMBERS		
			CONFIG. A 366-94249	CONFIG. B 366-94246	CONFIG. C 366 94247
1	Pump	1	See Table Below	See Table Below	See Table Below
2	Heater	1	025-09445	025-09445	025-09445
3	Sensor, Temp.	1	025-28936	025-28936	025-28936
4	Valve, Relief	1	022-06801	022-06801	022-06801
5	Valve, Stop	1	022-01582	022-01582	022-01582
6	Box Elec.	1	025-10290	025-10290	025-10290
7	Cover, Elec. Box	1	025-10291	025-10291	025-10291
8	Sight Glass	2	026-17581	026-17581	026-17581
9	Nipple, Pipe	1	023-14775	023-14775	023-14775
10	Nipple, Pipe	1	023-14776	023-14464	023-14464
11	Conn., Tube	1	375-01226	366-82918	366-82918
12	Conn., Tube	1	075-01225	066-90971	066-90971
13	Terminal	3	025-15923	025-15923	025-15923
14	Bushing, Pipe	1	023-04045	023-04045	023-04045
15	Conn., Flare	1	023-10166	023-10166	023-10166
16	Elbow, Flare	1	023-11348	023-11348	023~11348
17	Elbow, Flare	2	023-11364	023~11364	023-11364
18	Gasket Cover Plate	1	075-02360	075-02360	075-02360
19	Washer, Plain	8	021-05166	021-05166	021-05166
20	Screw, Cap. - 5/16"	4	021-01418	021-01418	021-01418
21	Nut, Hex - 5/16"	4	021-00461	021-00461	021-00461
22	Nut, Hex - 1/2"	12	021-00482	021-00482	021~00482
23	Plug, Pipe - 3/4"	1	023-04053	023-04053	023-04053
24	Cap, Sealing	1	028-04815	028-04656	028-04656
25	Cap, Pipe - 1"	1	023~02070	023-04054	023-04054
26	Bushing, Snap	1	025-09848	025-09848	025-09848
27	Sleeve, Flare	1	023-10167	023-10167	023-10167
28	Nut, Flare	1	023-10168	023-10168	023-10168
29	Gasket	1	—	075-02359	075-02359
30	Screw, Cap. - 1/2"	4	—	021-01573	021-01573

OIL PUMP & MOTOR REPLACEMENT

OIL PUMPS - WITH MOTOR	
VOLTAGE	PART NO.
200, 208, 220, 230 240, 416, 440 460, 480-3-60	026-28470
550, 575, 600-3-60	026-28471
380-3-60	026-28472
220, 440-3-50	026-28157
380, 400, 415-3-50	026-28158
346-3-50	026-28156

SERVICE KITS

GASKET KIT (4364-47948)

ITEM	COMMON PARTS		
	DESCRIPTION	QUAN.	PART NO.
1	Seal, "O" Ring – 4-7/8" ID x 5-1/8" OD x 1/8"	1	028-12207
2	Seal, "O" Ring – 3/8" ID x 1/16"	1	028-11998
3	Seal, "O" Ring – 7-3/4" ID x 8" ID x 1/8"	1	028-12206
4	Seal, "O" Ring – .301" ID x .064"	1	028-12209
5	Seal, "O" Ring – 1-1/8" ID x 1/8"	2	028-12200
6	Seal, "O" Ring – 1" ID x 1/8"	1	028-12201
7	Gasket, BLWS Cover – 3/4" x 1-1/4"	1	028-00781

GASKET KIT VARIABLE PARTS – Order as needed

DESCRIPTION	131	144
Seal, "O" Ring – 41.800" ID	028-10834	028-10834
Gasket, Diff. Plate	064-46999	064-46999
Gasket	064-47451	064-47451

BEARING KIT (364-47949)

ITEM	COMMON PARTS		
	DESCRIPTION	QUAN.	PART NO.
1	Bearing, H.S. Front	1	064-47541
2	Bearing, L.S. Gear Rear	1	064-47544
3	Bearing, L.S. Thrust	1	064-47543
4	Bearing, H.S. Thrust	1	064-47542
5	Collar, H.S.	1	064-47547
6	Collar, L.S.	1	064-47770
7	Cover, Thrust H.S.	1	064-47545
8	Screw, Cap 13 – 20 UN	4	021-13223
9	Spring, HEI Romp. Value	28	029-10757
10	Screw, Cap Hex Soc HD 1/4"	4	021-02578
11	Pin Slot Spring – 3/16" x 1/2"	2	029-04138

BEARING KIT VARIABLE PARTS – Order as needed

DESCRIPTION	131	144
Thrust Bearing – Def. Pad	209-20839	029-20839
Ring Seal, B.P.	064-47538	064-47539
Ring, Eye Seal Impeller	064-46871	064-46872

SHAFT SEAL KIT (4364-47950)

ITEM	COMMON PARTS		
	DESCRIPTION	QUAN.	PART NO.
1	Collar, Shaft Seal	1	064-47551
2	Cover, Shaft Seal	1	064-47550
3	Ring, Shaft Seal	1	029-20282
4	Washer, Shaft Seal	1	064-47555
5	Spring, Helical	6	029-13770-004
6	Seal, "O" Ring – 4-1/8" ID x 4-3/8" ID x 1/8"	1	028-12205
7	Seal, "O" Ring – 2-5/8" ID x 3/16"	2	028-10047



Proud Sponsor
of the 1998
U.S. Olympic Team

36USC380