



CENTRIFUGAL COMPRESSORS

RENEWAL PARTS

Supersedes: See Back Cover

Form 160.48-RP1 (297)

MODELS YDTL 108, 120 & 126 STYLE F

COMPRESSOR MODEL	COMPRESSOR CODE	COMPRESSOR PART NO.
YDTL108	E1	364-47787-001
YDTL120	E2	364-47787-002
YDTL126	E3	364-47787-003

COMPRESSOR TOOLS (464-47951)

ITEM	DESCRIPTION	QUAN. PER UNIT	PART NO.	ITEM	DESCRIPTION	QUAN. PER UNIT	PART NO.
1	Bar, Rd. 3/8 x 7 Lg.	1	064-46402	17	Scr., Cap Hex. 3/8-16 x 2 Lg.	2	021-01510
2	Pin, Guide No. 10 - 24 UNC x 6 - 1/2 Lg.	2	064-46488	18	Tool, Coupling Removal	1	064-46743
3	Stud, Spl. 1/2 - 20 UN F x 9 Lg.	1	064-14500	19	Strap	1	064-46657
4	Nut, Hex Hvy. 1/2 - 20 UNF	2	021-00483	20	Washer, Special	1	064-46658
5	Pin, Guide 3/8 - 16 UNC x 6 - 1/2 Lg.	3	064-18716	21	Scr., Cap Hex Hd. 3/8 - 16 UNC x 5/8 Lg.	1	021-01463
6	Bolt, Eye 7/8	1	021-07703	22	Nut, Hex 3/8 - 16 UNC	1	021-00467
7	Guide Pin (1/2" - B)	2	064-46246	23	Stud, Conts. Thd.	2	021-14842
9	Pin, Guide 1/4 - 20 UNC x 8 Lg.	2	064-46499	24	Bolt, Eye 3/8 - 16 UNC - 2A	3	021-13498
10	Nut, Hex 1/4 - 20 UNC	4	021-00450	25	Bolt, Eye 5/8 - UNC	1	021-12366
11	Bar, Tool	1	064-46611	26	Bolt, Eye 1/2 - 13 UNC - 2A	3	021-14620
12	Hook Tool	2	064-46610	27	Tool, Coupling Puller	1	064-47411
14	Bolt, Eye 3/4	1	021-00307	28*	Set Screw	1	021-08199
15	Bar, Coupling	1	064-46251	29*	Cap Screw	2	021-16815
16	Scr., Cap Hex 5/8-11 x 1-3/4 Lg.	1	021-01628	30*	Washer	2	021-01275
				31*	Nut, Hex	2	021-00476

* Use with Item 27

TOOLS

DESCRIPTION	PART NO.
Pliers, Waldles Truarc. No. 5	029-08590
Pliers Waldles Truarc No. 7	029-07934
Hand Oil Pump	470-10654
Hand Oil Pump Seal	028-03292

LUBRICANTS, OILS AND COMPOUNDS

DESCRIPTION	PART NO.
Thread Compound, ARI High Pressure - 1/4 Pt. Can	464-14934
Coating Lubricant - Molykote, Type Z-2 Oz. Can	364-21508
Oil, York Refrigeration - Type C - 5 Gal. Can	011-00312

SEALERS, ADHESIVES & INSULATION TAPE

ITEM	DESCRIPTION	PART NO.
1	Varnish Scotch Cast Resin No. 2	013-01016
2	Sealant	044-00892
3	Sealer CR CV	013-01678
4	Adhesive	013-00852
5	Adhesive Sealing	013-02065
6	Tape Motor Terminal Insul.	010-04101
7	Coating Rust Preventive	013-02419

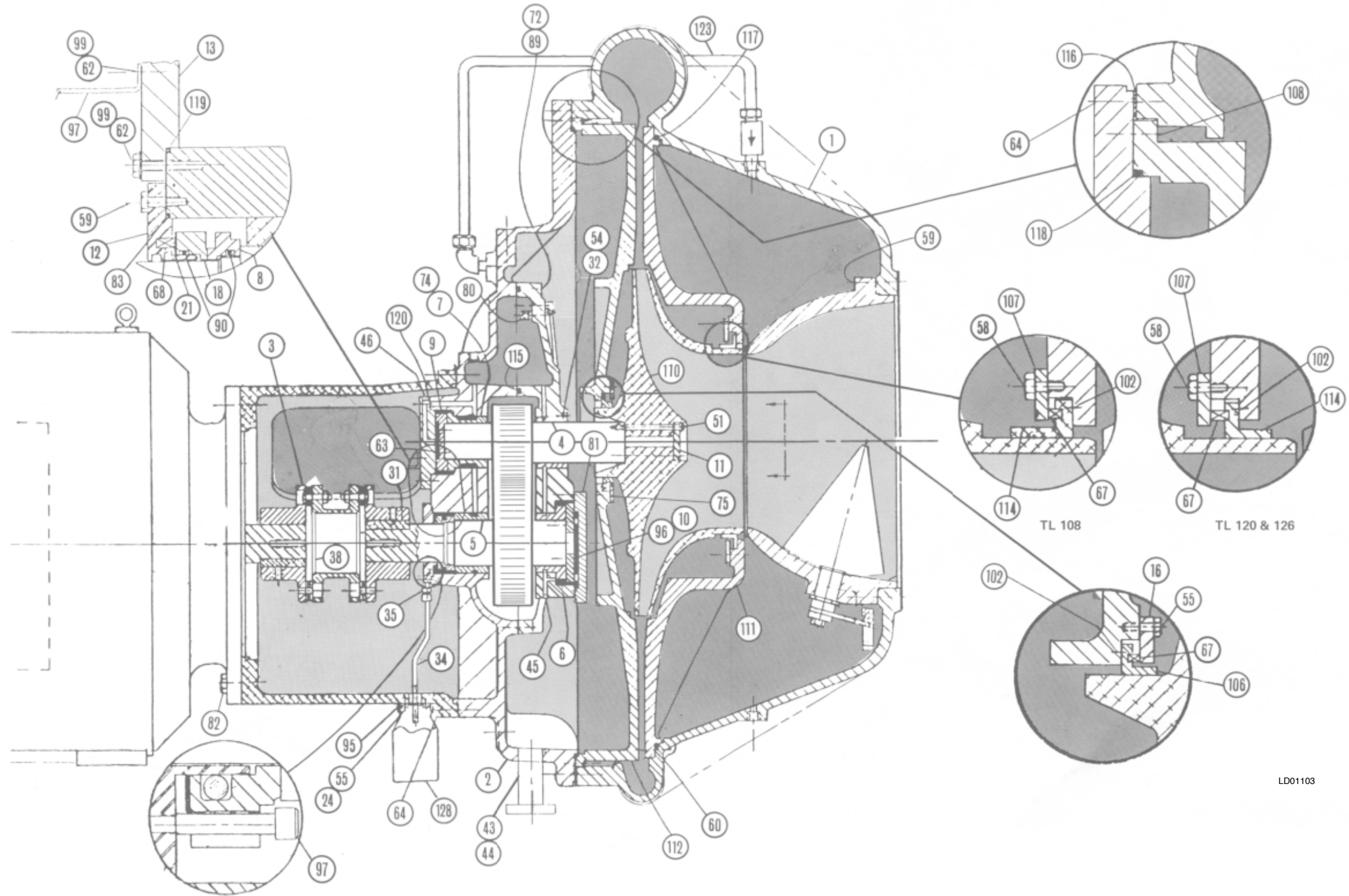
COMPRESSOR PARTS LIST

MODELS YDTL 108, 120 & 126

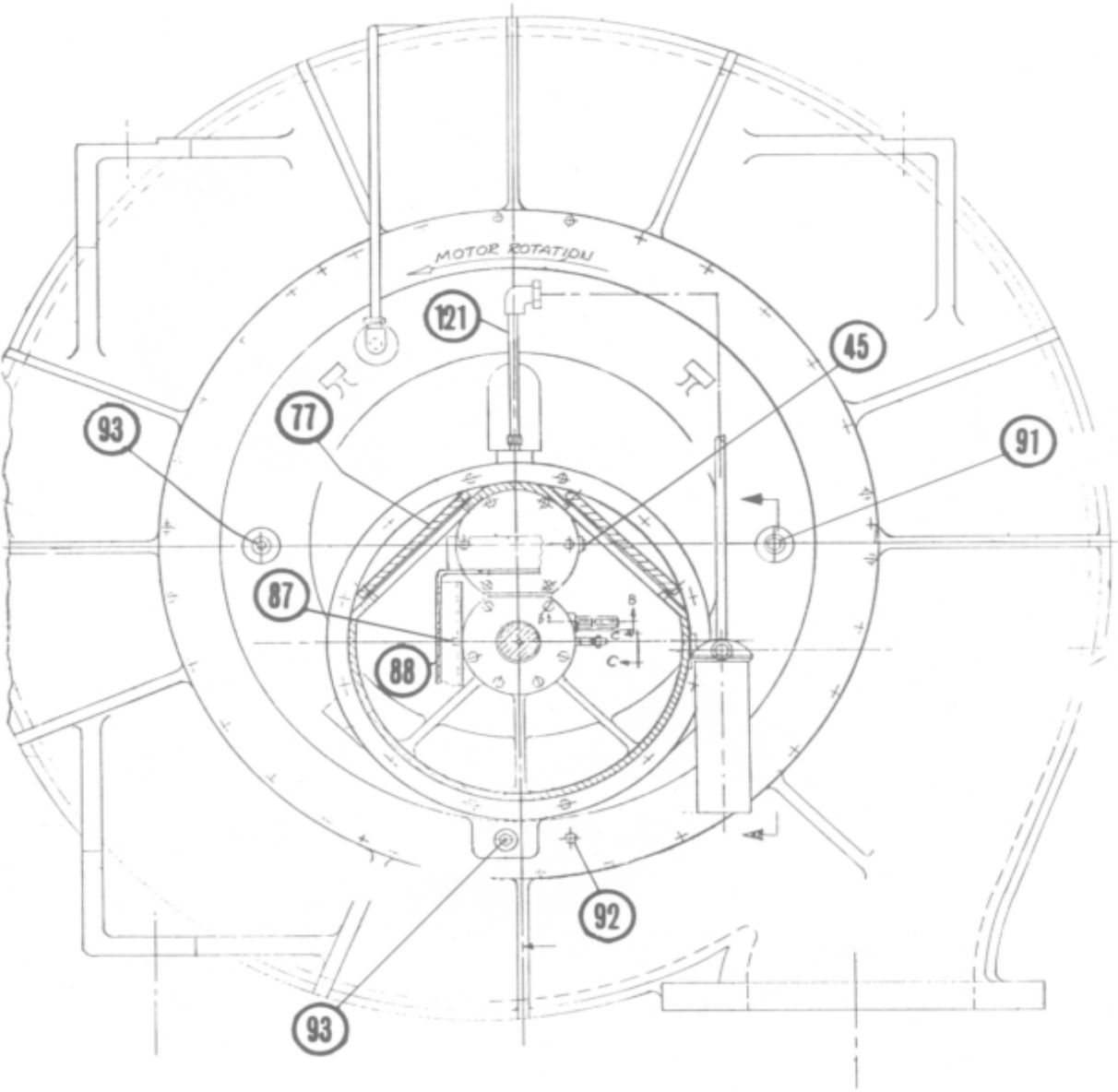
ITEM	DESCRIPTION	QUAN.	PART NO.
1	Scroll, Rotor	1	064-47562
2	Support, Rotor with Bearing Housing	1	364-47553
3	Coupling, Flex	1	029-20204
4	Bearing, H.S. Front	1	064 47541
5	Bearing, L.S. Rear	1	064-47544
6	Bearing, L.S. Thrust	1	064-47543
7	Bearing, H.S. Thrust	1	064-47542
8	Collar, Shaft Seal*	1	064-47551
9	Collar, Thrust, H.S.	1	064-47547
10	Collar, Thrust, L.S.	1	064-47770
11	Collar, Impellar, Clamping	1	064-47549
12	Cover, Shaft Seal*	1	064-47550
13	Cover, Thrust, H.S.	1	064-47545
14	Cover, PRV Shaft Control	1	064-13909
15	Shaft, Control, PRV	1	364-29573
16	Retainer, BP Seal	1	064-47587
17	Filter, Oil	1	026-21982
18	Ring, Shaft Seal*	1	029-20282
19	Valve, Stop Angle	2	022-03850
20	Ring, Fill Kit	2	064-28284
21	Washer, Shaft Seal*	1	064-47555
22	Washer, PRV	1	064-08815
23	Washer, Plain 9/32" I.D. x 5/8" O.D.	4	021-05165
24	Washer, Plain .265" LD. x 1/2" O.D.	2	021-10189
25	Elbow, Flare	2	023-10700
26	Lever, Internal	1	064-47891
27	Lever, PRV	1	064-47110
28	Arm, Motor & PRV	1	064-47578
29	Link, External, PRV	1	064-47519
30	Rod, Adjustment, PRV	1	064-09080
31	Key, Coupling	2	064-47333
32	Retainer, Bearing	1	064-46886
33	Tube, Oil Inlet	1	064-47886
34	Tube	1	064-47557
35	Connection, Flare	1	023-09668
36	Connection, Flare	1	023-10696
37	Sensor, Temperature	1	025-28936
38	Plunger, Valve	1	0641-4790
39	Spring, Valve	1	029-06143
40	Valve, Oil Relief	1	022-08700
41	Valve, Stop Angle	2	022-03836
42	Plug, Hex	1	064-46282
43	Nipple, Pipe	1	023-14721
44	Flange, Pipe	1	064-46070
45	Plug, Pipe, 1/4" Hex Socket	5	023-01973
46	Plug, Pipe, 1/8" Hex Socket	1	023-01970
47	Bolt, Shoulder	1	064-33745
48	Bolt, Shoulder	1	064-28282
49	Bearing, Rod End	2	029-07015
50	Screw, Cap, 12 Pt Head	1	021-11998
51	Screw, Cap, 12 Pt Head	7	021-17398
52	Screw, Cap, 12 Pt Head	1	021-15683
53	Screw, Cap, 12 Pt Head	2	021-11175
54	Screw, Cap, 12 Pt Head	1	021-11970
55	Screw, Cap, Hex Head	5	021-01372
56	Fillpiece, PR Device	1	064-09070
57	Tee, 3/4" x 3/4"	1	023-11331
58	Screw, Cap - 3/8"	3	021-10650
59	Screw, Cap - 3/8"	9	021-01485
60	Screw Cap, Socket Head	3	021-02585
61	Screw, Cap - 1/4"	3	021-01379
62	Screw, Cap - 3/8"	6	021-01497
63	Screw, Cap - 1/4"	4	021-13223
64	Screw, Cap - 1/2"	42	021-11190
65	Screw, Set, Hex Hd.	1	021-03910
66	Bushing, 3/4"	1	023-04039
67	Spring, Helical	28	029-10757
68	Spring, Helical	6	029-13770-004
69	Lockwasher, 1/4"	2	021-05267

ITEM	DESCRIPTION	QUAN.	PART NO.
70	Nut, 1/2" Hex	4	021-10171
71	Nut, 1/4" Hex	8	021-00450
72	Pin, Dowel	2	029-18459
73	Screw, Cap - 1/4"	2	021-11914
74	Pin, Slot, Sprint	2	029-03991
75	Screw, Cap, Socket Hd.	6	021 08946
76	Gasket, Bellows Cover	1	028-00781
77	Cover, Motor Support	2	064-47536
80	Valve, Oil Check	1	022-04444
81	Bearing, Thrust (L.S.)	1	029-20839-001
82	Screw, Cap - 3/4"	8	021-01661
83	Seal, "O" Ring	1	028-12205
84	Cap, Sealing	1	028-08481
85	Seal, "O" Ring	2	028-12200
86	Seal, "O" Ring	1	028-12201
87	Screw, Cap, 3/8" 12 Pt. Hd.	2	021-11979
88	Guard, Coupling	1	064-47552
89	Screw, Cap 3/8" Hex	20	021-10037
90	Seal, "O" Ring	2	028-10047
91	Plug, Pipe 1"	1	023-05909
92	Plug, Pipe 3/4"	2	023-04208
93	Plug, Pipe 1/2"	2	023-01994
94	Seal, "O" Ring	1	028-12209
95	Cap, Metal	1	066-89574
96	Screw, Cap, Soc. Hd. - 1/4"	4	021-02578
97	Screw, Shld., Soc. Hd. -1"	3	021-17294
98	Screw, Cap, Hex Hd. - 3/8"	2	021-08876
99	Washer, Plain, Hardened	6	021-16814
100	Fill Piece	1	064-47517
101	Screw, Cap, 12 Pt. Hd. -1/2"	1	021-11517
102	Pin, Spring, Slotted - 3/16" x 1/2"	2	029-04138
103	Nipple, Pipe, 3/4"	1	023-14775
104	Elbow, Fiare	1	023-09677
105	Link, External, PRV	1	064-47581
106	Ring, Seal	1	064-47586
107	Retainer, Eye Seal	1	064-47585
108	Screw, Cap, Hex Soc. Hd. - 1/4"	3	021-01377
109	Screw, Cap, Hex Hd.	2	024-13223
110	Impeller		
	YDTL 108	1	064-47772
	YDTL 120	1	064-47771
	YDTL 126	1	064-47775
111	Plate, Nozzle Base		
	YDTL 108	1	064-47777
	YDTL 120	1	064-47778
	YDTL 126	1	064-47783
112	Plate, Diffuser		
	YDTL 108	1	064-47779
	YDTL 120	1	064-47780
	YDTL126	1	064-47781
113	Device, Pre-rotation	1	See Fig. 2
114	Ring, Seal (Eye)		
	YDTL 108	1	064-47784
	YDTL 120	1	064-47785
	YDTL 126	1	064-47786
115	Seal, "O" Ring	1	028-12206
116	Gasket, Diffuser Plate	1	064-47451
117	Seal, "O" Ring	1	028-11951
118	Seal, "O" Ring	1	028-10875
119	Seal, "O" Ring	1	028-12207
120	Seal, "O" Ring	1	028-11998
121	Nipple, 3/4"	1	023-14471
122	Elbow, Fare	1	023-11364
123	Tube, Equalizing	1	064-47885
124	Screw, Cap, Hex - 3/8"	10	021-01477
125	Motor, Actuator	1	025-17175
126	Gasket Discharge Flange	1	075-02351
127	Gasket, Suction Flange	1	075-02354
128	Bottle, Oil Catch	1	028-10579

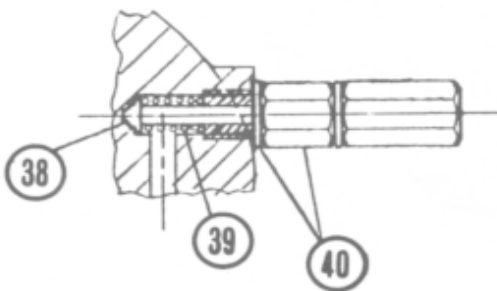
* NOTE: For additional information on Shaft Seal Replacement, see page 10.



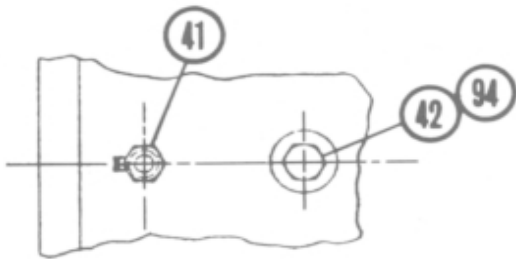
LD01103



SECTION F-F



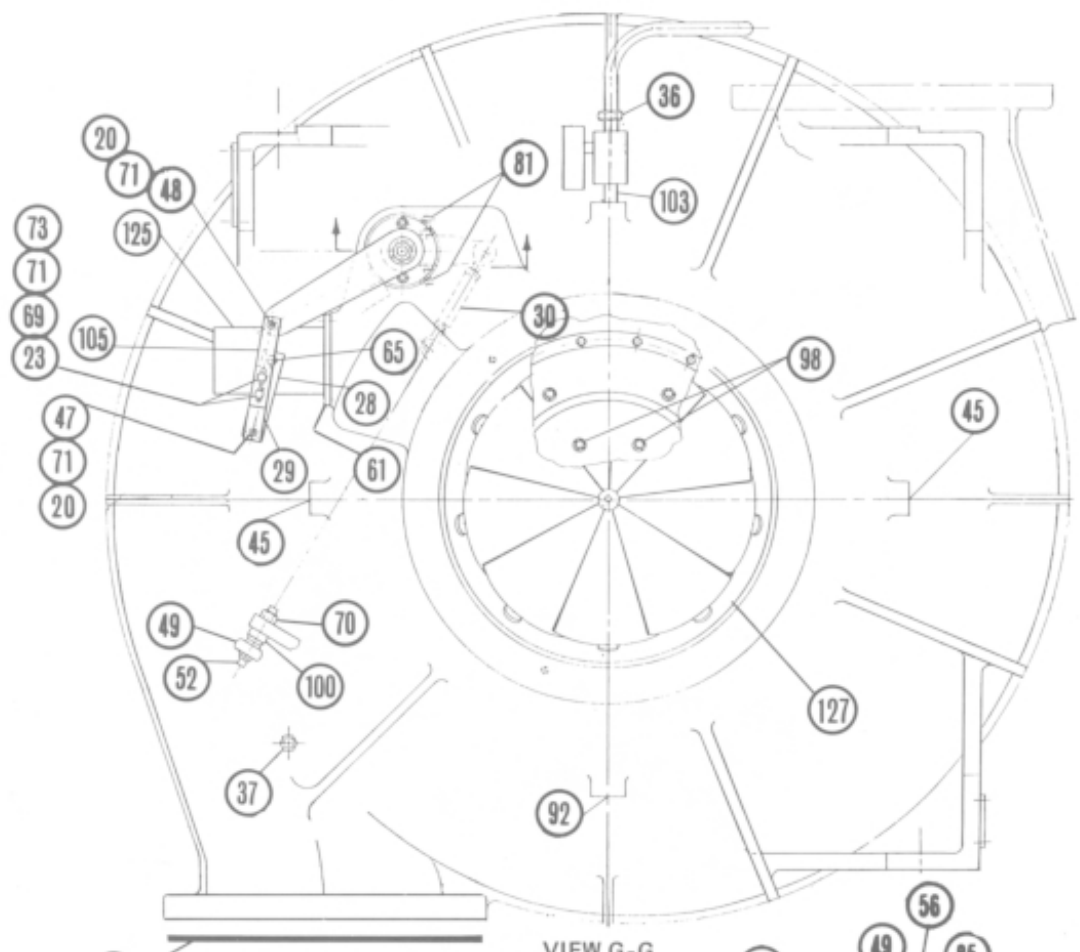
SECTION B-B



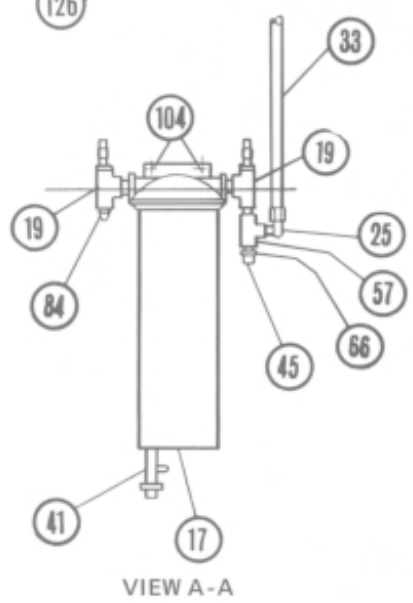
VIEW C-C

LD01100

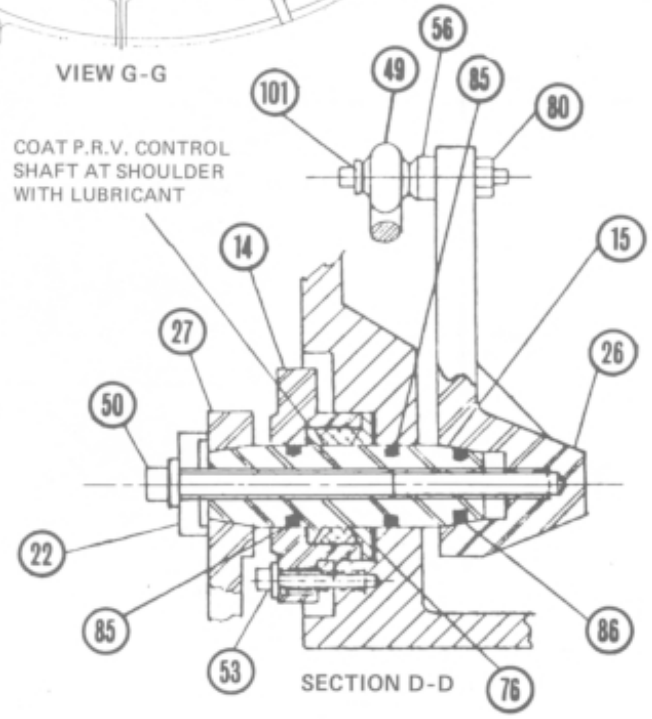
FIG. 1 (Cont'd) – MODEL YDTL COMPRESSOR ASSEMBLY



VIEW G-G



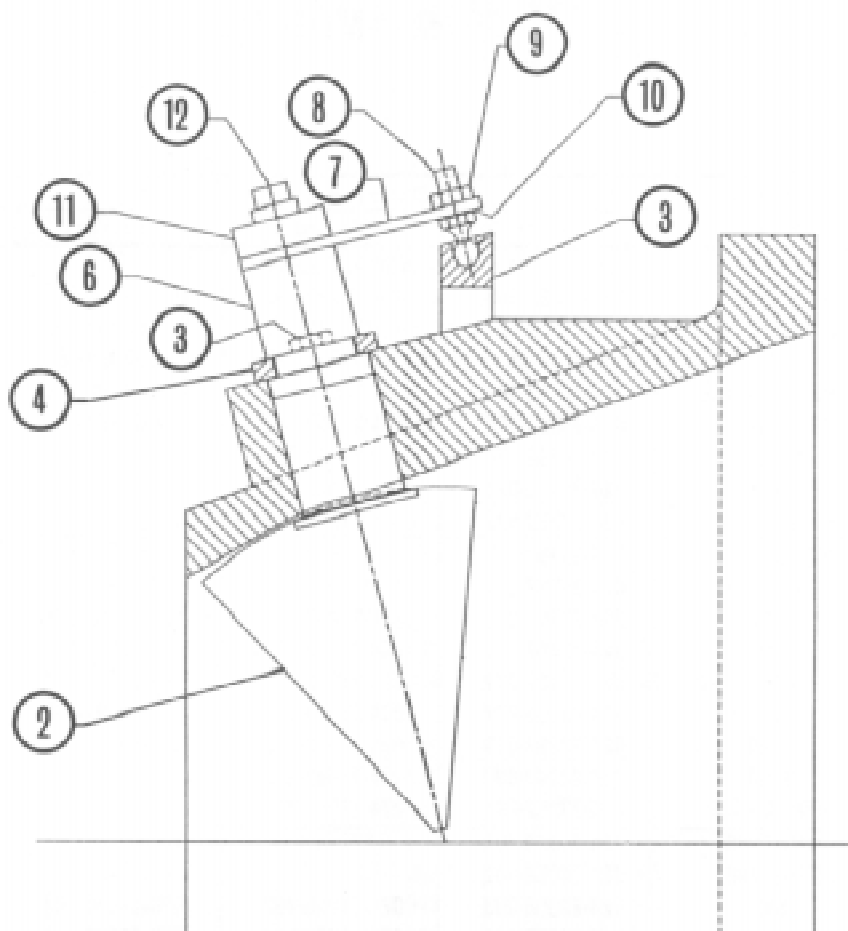
VIEW A-A



COAT P.R.V. CONTROL
SHAFT AT SHOULDER
WITH LUBRICANT

SECTION D-D

LD01101



LD01102

ITEM	DESCRIPTION	QUAN.	PART NO.
	Pre-rotation Housing Assembly Complete		
	YDTL 108	1	364-47769-001
	YDTL 120	1	364-47769-002
	YDTL 126	1	364-47769-003
	(Consisting of Following Items)		
1	Housing Pre-rotation Vanes		
	YDTL 108	1	064-47773
	YDTL 120	1	064-47774
	YDTL 126	1	064-47782
2	Vane, Pre-rotation	9	064-47571
3	Ring, Vane, Driving	1	064-46784
4	Retainer, PRV	9	064-47575
5	Screw, Cap, Hex Hd. – 1/4"	18	021-01372
6	Washer, Special	9	064-47573
7	Arm, PRV	9	064-22658
8	Stud, Ball	9	029-07017
9	Nut, Self Locking – 1/4"	9	021-12943
10	Washer, Plain	18	021-11973
11	Washer, Special	9	064-47574
12	Screw, Cap, 12 Pt – 5/8"	9	021-17265

FIG. 2 – PREROTATION VANE HOUSING AND PARTS

60 HZ MOTORS

MOTOR CODE	NAMEPLATE VOLTAGE	MOTOR PART NUMBER			MOTOR SUPPORT
		RELIANCE	SIEMENS	TOSHIBA	
CN	200 or 208	024-23992-064	024-23992-264	—	064-47535 ↓
CN	230 or 240	024-23992-065	024-23992-265	024-23992-665	
CN	380	024-23992-066	024-23992-266	024-23992-666	
CN	416	024-23992-067	024-23992-267	024-23992-667	
CN	440, 460 or 480	024-23992-068	024-23992-268	024-23992-668	
CN	575 or 600	024-23992-069	024-23992-269	024-23992-669	
CN	2300	024-23992-070	024-23992-270	—	
CN	3300	024-23992-071	024-23992-271	—	
CN	4000 or 4160	024-23992-072	024-23992-272	—	
CP	200 or 208	024-23992-073	—	—	
CP	230 or 240	024-23992-074	—	—	
CP	380	024-23992-075	024-23992-275	024-23992-675	
CP	416	024-23992-076	024-23992-276	024-23992-676	
CP	440, 460 or 480	024-23992-077	024-23992-277	024-23992-677	
CP	575 or 600	024-23992-078	024-23992-278	024-23992-678	
CP	2300	024-23992-079	024-23992-279	—	
CP	3300	024-23992-080	024-23992-280	—	
CP	4000 or 4160	024-23992-081	024-23992-281	—	
CR	200 or 208	024-24056-001	—	—	
CR	230 or 240	024-24056-002	—	—	
CR	380	024-24056-003	024-24056-203	024-24056-603	
CR	416	024-24056-004	024-24056-204	024-24056-604	
CR	440, 460 or 480	024-24056-005	024-24056-205	024-24056-605	
CR	575 or 600	024-24056-006	024-24056-206	024-24056-606	
CR	2300	024-24056-007	024-24056-207	—	
CR	3300	024-24056-008	024-24056-208	—	
CR	4000 or 4160	024-24056-009	024-24056-209	—	
CS	200 or 208	024-24056-010	—	—	
CS	230 or 240	024-24056-011	—	—	
CS	380	024-24056-012	024-24056-212	024-24056-612	
CS	416	024-24056-013	024-24056-213	024-24056-613	
CS	440, 460 or 480	024-24056-014	024-24056-214	024-24056-614	
CS	575 or 600	024-24056-015	024-24056-215	024-24056-615	
CS	2300	024-24056-016	024-24056-216	—	
CS	3300	024-24056-017	024-24056-217	—	
CS	4000 or 4160	024-24056-018	024-24056-218	—	

(Continued On Next Page)

60 HZ MOTORS

(Continued)

MOTOR CODE	NAMEPLATE VOLTAGE	MOTOR PART NUMBER			MOTOR SUPPORT
		RELIANCE	SIEMENS	TOSHIBA	
CT	230 or 240	024-24056-020	—	—	064-47535 ↓
CT	380	024-24056-021	024-24056-221	024-24056-621	
CT	416	024-24056-022	024-24056-222	024-24056-622	
CT	440, 460 or 480	024-24056-023	024-24056-223	024-24056-623	
CT	575 or 600	024-24056-024	024-24056-224	024-24056-624	
CT	2300	024-24056-025	024-24056-225	—	
CT	3300	024-24056-026	024-24056-226	—	
CT	4000 or 4160	024-24056-027	024-24056-227	—	
CU	230 or 240	024-24056-029	—	—	
CU	380	024-24056-030	024-24056-230	024-24056-630	
CU	416	024-24056-031	024-24056-231	024-24056-631	
CU	440, 460 or 480	024-24056-032	024-24056-232	024-24056-632	
CU	575 or 600	024-24056-033	024-24056-233	024-24056-633	
CU	2300	024-24056-034	024-24056-234	—	
CU	3300	024-24056-035	024-24056-235	—	
CU	4000 or 4160	024-24056-036	024-24056-236	—	
CV	380	024-24056-039	024-24056-239	—	
CV	416	024-24056-040	024-24056-240	024-24056-640	
CV	440, 460 or 480	024-24056-041	024-24056-241	024-24056-641	
CV	575 or 600	024-24056-042	024-24056-242	024-24056-642	
CV	2300	024-24056-043	024-24056-243	—	
CV	3300	024-24056-044	024-24056-244	—	
CV	4000 or 4160	024-24056-045	024-24056-245	—	
CW	380	024-24056-048	024-24056-248	—	
CW	416	024-24056-049	024-24056-249	—	
CW	440, 460 or 480	024-24056-050	024-24056-250	024-24056-650	
CW	575 or 600	024-24056-051	024-24056-251	024-24056-651	
CW	2300	024-24056-052	024-24056-252	—	
CW	3300	024-24056-053	024-24056-253	—	
CW	4000 or 4160	024-24056-054	024-24056-254	—	
CX	380	024-24056-057	024-24056-257	—	
CX	416	024-24056-058	024-24056-258	—	
CX	440, 460 or 480	024-24056-059	024-24056-259	—	
CX	575 or 600	024-24056-060	024-24056-260	—	
CX	2300	024-24056-061	024-24056-261	—	
CX	3300	024-24056-062	024-24056-262	—	
CX	4000 or 4160	024-24056-063	024-24056-263	—	

50 HZ MOTORS

MOTOR CODE	NAMEPLATE VOLTAGE	MOTOR PART NUMBER			MOTOR SUPPORT
		RELIANCE	SIEMENS	TOSHIBA	
5CK	220	024-24056-101	024-24056-301	—	064-47535 ↓
5CK	346	024-24056-004	024-24056-204	024-24056-604	
5CK	380 or 400	024-24056-005	024-24056-205	024-24056-605	
5CK	415	024-24056-104	024-24056-304	024-24056-754	
5CK	440	024-24056-105	024-24056-305	024-24056-755	
5CK	500	024-24056-006	024-24056-206	024-24056-606	
5CK	2300	024-24056-107	024-24056-307	—	
5CK	3000	024-24056-108	024-24056-308	—	
5CK	3300	024-24056-009	024-24056-209	—	
5CL	220	064-24056-110	024-24056-310	—	
5CL	346	064-24056-013	024-24056-213	024-24056-613	
5CL	380 or 400	064-24056-014	024-24056-214	024-24056-614	
5CL	415	064-24056-113	024-24056-313	024-24056-763	
5CL	440	064-24056-114	024-24056-314	024-24056-764	
5CL	500	064-24056-015	024-24056-215	024-24056-615	
5CL	2300	064-24056-116	024-24056-316	—	
5CL	3000	064-24056-117	024-24056-317	—	
5CL	3300	064-24056-018	024-24056-218	—	
5CM	220	064-24056-119	—	—	
5CM	346	064-24056-022	024-24056-222	024-24056-622	
5CM	380 or 400	064-24056-023	024-24056-223	024-24056-623	
5CM	415	064-24056-122	024-24056-322	024-24056-742	
5CM	440	064-24056-123	024-24056-323	024-24056-773	
5CM	500	064-24056-024	024-24056-224	024-24056-624	
5CM	2300	064-24056-125	024-24056-325	—	
5CM	3000	064-24056-126	024-24056-326	—	
5CM	3300	064-24056-027	024-24056-227	—	
5CN	220	024-24056-128	—	—	
5CN	346	024-24056-031	024-24056-231	024-24056-631	
5CN	380 or 400	024-24056-032	024-24056-232	024-24056-632	
5CN	415	024-24056-131	024-24056-331	024-24056-731	
5CN	440	024-24056-132	024-24056-332	024-24056-732	
5CN	500	024-24056-033	024-24056-233	024-24056-633	
5CN	2300	024-24056-134	024-24056-334	—	
5CN	3000	024-24056-135	024-24056-335	—	
5CN	3300	024-24056-036	024-24056-236	—	

50 HZ MOTORS

(Continued)

MOTOR CODE	NAMEPLATE VOLTAGE	MOTOR PART NUMBER			MOTOR SUPPORT
		RELIANCE	SIEMENS	TOSHIBA	
5CO	220	024-24056-137	—	—	064-47535 ↓
5CO	346	024-24056-040	024-24056-240	024-24056-640	
5CO	380 or 400	024-24056-041	024-24056-241	024-24056-641	
5CO	415	024-24056-140	024-24056-340	024-24056-740	
5CO	440	024-24056-141	024-24056-341	024-24056-741	
5CO	500	024-24056-042	024-24056-242	024-24056-642	
5CO	2300	024-24056-143	024-24056-343	—	
5CO	3000	024-24056-144	024-24056-344	—	
5CO	3300	024-24056-045	024-24056-245	—	
5CP	346	024-24056-049	024-24056-249	—	
5CP	380 or 400	024-24056-050	024-24056-250	024-24056-650	
5CP	415	024-24056-149	024-24056-349	024-24056-749	
5CP	440	024-24056-150	024-24056-350	024-24056-750	
5CP	500	024-24056-051	024-24056-251	024-24056-651	
5CP	2300	024-24056-152	024-24056-352	—	
5CP	3000	024-24056-153	024-24056-353	—	
5CP	3300	024-24056-054	024-24056-254	—	
5CQ	346	024-24056-058	024-24056-258	—	
5CQ	380 or 400	024-24056-059	024-24056-259	—	
5CQ	415	024-24056-158	024-24056-358	—	
5CQ	440	024-24056-159	024-24056-359	—	
5CQ	500	024-24056-060	024-24056-260	—	
5CQ	2300	024-24056-161	024-24056-361	—	
5CQ	3000	024-24056-162	024-24056-362	—	
5CQ	3300	024-24056-063	024-24056-263	—	
5CR	346	024-24056-165	024-24056-365	—	
5CR	380 or 400	024-24056-166	024-24056-366	—	
5CR	415	024-24056-167	024-24056-367	—	
5CR	440	024-24056-168	024-24056-368	—	
5CR	500	024-24056-169	024-24056-369	—	
5CR	2300	024-24056-170	024-24056-370	—	
5CR	3000	024-24056-171	024-24056-371	—	
5CR	3300	024-24056-172	024-24056-372	—	

GEAR SETS

SPEED CODE	PART NO.
BR	029-14400-510
BS	029-14400-511
BT	029-14400-512
BU	029-14400-513
BV	029-14400-514
BW	029-14400 515
BX	029-14400-516
BY	029-14400-517
BZ	029-14400-518
CA	029-14400-519
CB	029-14400-520
CC	029-14400-521
CD	029-14400-522
CE	029-14400-523
CF	029-14400-524
CG	029-14400-525
CH	029-14400-526
CJ	029-14400-527
CK	029-14400-528
CL	029-14400-529
CM	029-14400-530

SPEED CODE	PART NO.
CN	029-14400-531
CP	029-14400-532
CQ	029-14400-533
CR	029-14400-534
CS	029-14400-535
CT	029-14400-536
CU	029-14400-537
CV ¹	029-14400-538
CW	029-14400-539
CX	029-14400-540
CY	029-14400-541
CZ ²	029-14400-542
DA	029-14400-543
DB	029-14400-544
DC	029-14400-545
DD	029-14400-546
DE	029-14400-547
DF	029-14400-548

¹ Max. gear code for E2 compressor with 60 hertz turbo-modulator.

² Max. gear code for E1 compressor with 60 hertz turbo-modulator.

FIG. 3 – YDTL 108, 120 AND 126 GEAR SETS (50 & 60 HERTZ)

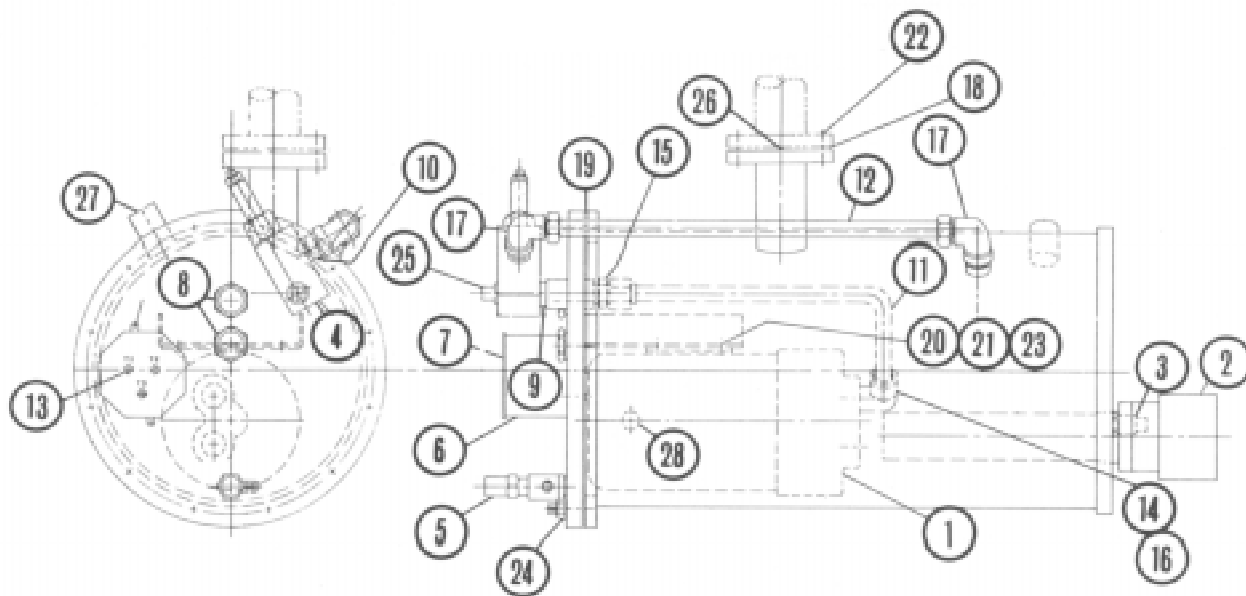
SHAFT SEAL REPLACEMENT

If you have a unit(s) that have a history of Shaft Seal leaks, it is recommended that you use one of the new kits when you need to change one out. This is, of course, once you've eliminated other causes, i.e. misalignment, etc.

The new kits have been set up in two (2) categories. They are:

1. **Replacement** – (Part No. 464-47829). This kit is needed to make the initial changeout to the new style seal. It will contain a new cover plate.
2. **Maintenance** – (Part. No. 464-47830). This kit is used after the initial changeout and does not contain the cover plate.

OIL SUMP ASSEMBLY



LD01104

ITEM	DESCRIPTION	QUAN.	PART NO.	ITEM	DESCRIPTION	QUAN.	PART NO.
1	Pump	1	See Table Below	15	Conn., Flare	1	023-10166
2	Heater	1	025-09445	16	Elbow, Flare	1	023-11348
3	Sensor, Temp.	1	025-28936	17	Elbow, Flare	2	023-11364
4	Valve, Relief	1	022-06801	18	Gasket	1	075-02359
5	Valve, Stop	1	022-01582	19	Gasket, Cover Plate	1	075-02360
6	Box, Elec.	1	025-10290	20	Washer, Plain	8	021-05166
7	Cover, Elec. Box	1	025-10291	21	Screw, Cap – 5/16"	4	021-01418
8	Sight Glass	2	026-17581	22	Screw, Cap – 1/2"	4	021-01573
9	Nipple, Pipe – 3/4"	1	023-14775	23	Nut Hex – 5/16"	4	021-00461
10	Nipple, Pipe – 3/4"	1	023-14464	24	Nut Hex – 1/2"	12	021-00482
11	Conn., Tube	1	366-82918	25	Plug, Pipe – 3/4"	1	023-04053
12	Conn., Tube	1	066-90971	26	Cap, Sealing	1	028-04656
13	Terminal	3	025-15923	27	Plug, Pipe – 1"	1	023-04054
14	Bushing, Pipe	1	023-04045	28	Bushing, Snap	1	025-09848

FIG. 4 – OIL SUMP CUTAWAY VIEW

*OIL PUMP & MOTOR REPLACEMENT (1140 RPM)

VOLTAGE	PART NO.	PUMP ONLY
200, 208, 220, 230, 240, 416, 440, 460, 480-3-60	026-28153	026-28166
550, 575 600-3-60	026-28154	026-28166
380-3-60	026-28155	026-28166
346-3-50	026-28156	026-28166
220, 440-3-50	026-28157	026-28166
380, 400 415-3-50	026-28158	026-28166

1140 RPM MOTOR

PART NO.	VOLTAGE
024-23153	220/440 60 Hz
024-23154	380/400, 416 50 Hz

SERVICE KITS

GASKET KIT (364-47948)

ITEM	COMMON PARTS		
	DESCRIPTION	QUAN.	PART NO.
1	Seal, "O" Ring – 4-7/8" ID x 5-1/8" OD x 1/8"	1	028-12207
2	Seal, "O" Ring – 3/8" ID x 1/16"	1	028-11998
3	Seal, "O" Ring – 7-3/4" ID x 8" OD x 1/8"	1	028-12206
4	Seal, "O" Ring – .301" ID x .064"	1	028-12209
5	Seal, "O" Ring – 1-1/8" ID x 1/8"	2	028-12200
6	Seal, "O" Ring – 1" ID x 1/8"	1	028-12201
7	Gasket, BLWS Cover – 3/4" x 1-1/4"	1	028-00781

GASKET KIT VARIABLE PARTS - Order as needed

DESCRIPTION	108	120	126
Seal, "O" Ring – 34.410" ID	028-10875	028-10875	028-10875
Seal, "O" Ring – 36.548" ID	028-11951	028-11951	028-11951
Gasket, Diff. Plate	064-47451	064-47451	064-47451
Seal, "O" Ring – 41.800" ID	—	—	—
Gasket, Diff. Plate	—	—	—

BEARING KIT (364-47949)

ITEM	COMMON PARTS		
	DESCRIPTION	QUAN.	PART NO.
1	Bearing, H.S. Front	1	064-47541
2	Bearing, L.S. Gear Rear	1	064-47544
3	Bearing, L.S. Thrust	1	064-47543
4	Bearing, H.S. Thrust	1	064-47542
5	Collar, H.S.	1	064-47547
6	Collar, L.S.	1	064-47770
7	Cover, Thrust H.S.	1	064-47545
8	Screw, Cap 1/4 – 20 UN	4	021-13223
9	Spring, HEI-Comp. Value	28	029-10757
10	Screw, Cap Hex Soc HD 1/4"	4	021-02578
11	Pin, Slot Spring – 3/16" x 1/2"	2	029-04138

BEARING KIT VARIABLE PARTS – Order as needed

DESCRIPTION	108	120	126
Thrust Bearing – Def. Pad	029-20839	029-20839	029-20839
Ring Seal, B.P.	064-47586	064-47586	064-47586
Ring, Eye Seal, Impeller	064-47784	064-47785	064-47786

SHAFT SEAL KIT (364-47950)

ITEM	COMMON PARTS		
	DESCRIPTION	QUAN.	PART NO.
1	Collar, Shaft Seal	1	064-47551
2	Cover, Shaft Seal	1	064-47550
3	Ring, Shaft Seal	1	029-20282
4	Washer, Shaft Seal	1	064-47555
5	Spring, Helical	6	029-13770
6	Seal, "O" Ring – 4-1/8" ID x 4-3/8" OD x 1/8"	1	028-12205
7	Seal, "O" Ring – 2-5/8" ID x 3/16"	2	028-10047



Proud Sponsor
of the 1998
U.S. Olympic Team

36USC380