



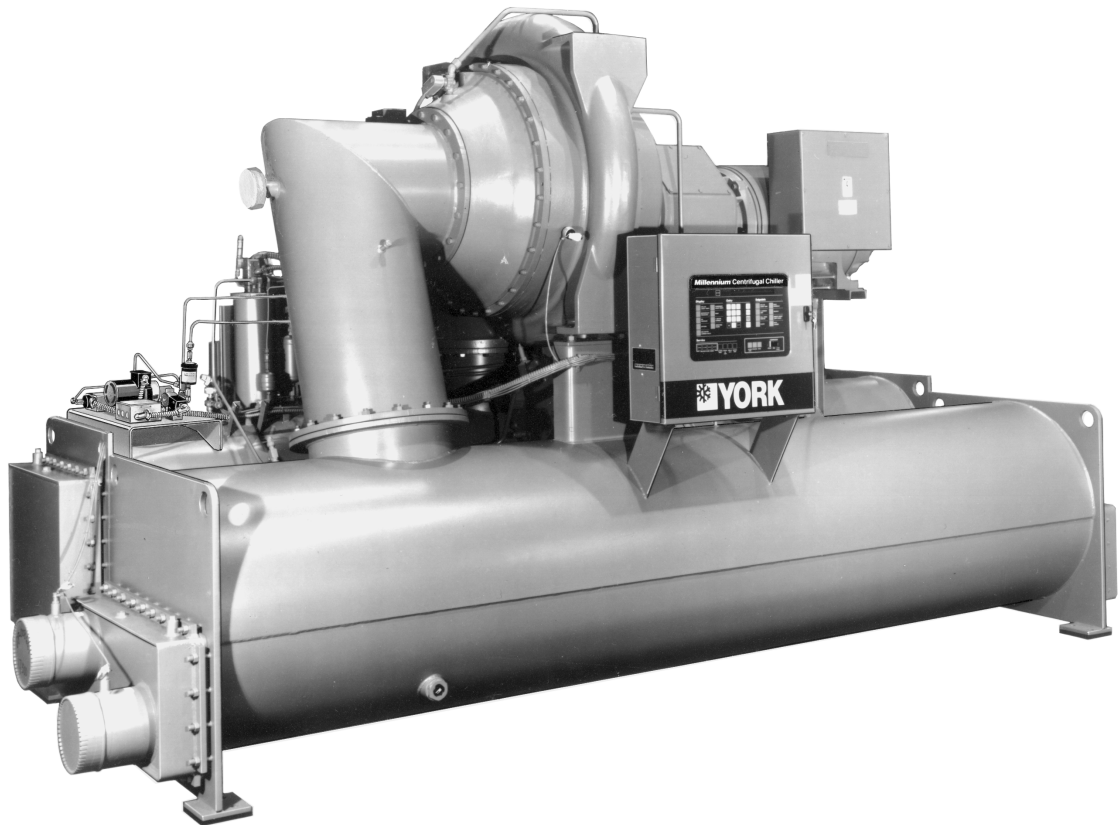
**MILLENNIUM™
CENTRIFUGAL LIQUID CHILLERS**

RENEWAL PARTS

Supersedes: See Back Cover

Form 160.48-RP5 (601)

**UNIT COMPONENTS
MODEL YT (STYLE H)**



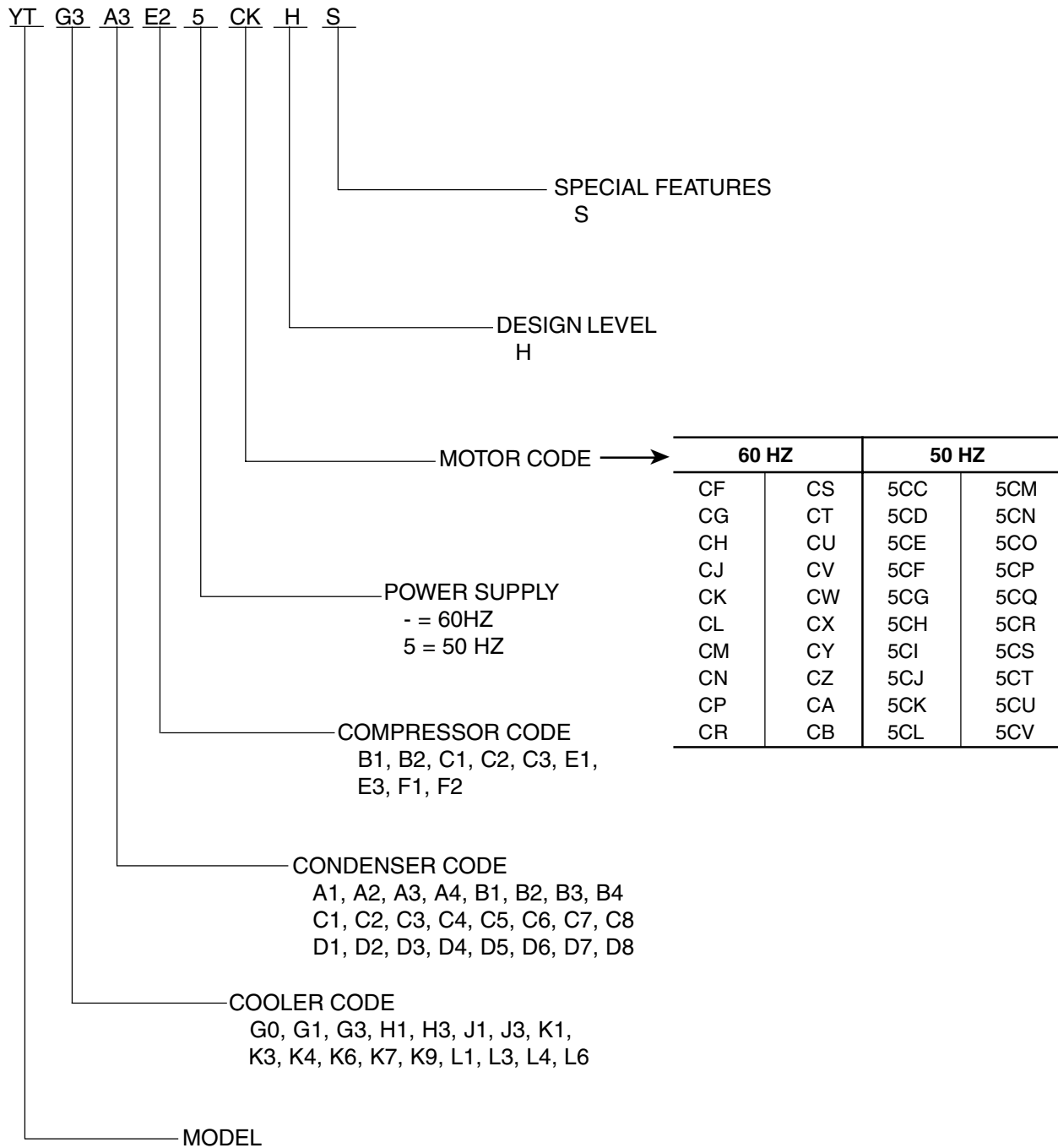
STYLE H

26874A

TABLE OF CONTENTS

NOMENCLATURE	3
UNIT COMPONENTS	4, 5, 6, 7, 8, 9
ORIFICE PLATE	9
TURBOGUARD PURGE UNIT	10, 11
OIL PUMP STARTER OVERLOADS	12
CURRENT TRANSFORMERS/KITS	12
INLET STRAINER	13
ISOLATORS	13
WATER BOX GASKETS	14, 15
COOLER TUBES	15
CONDENSER TUBES	16
HOT GAS BYPASS CONTROL OPTION	17
MULTIPLE-UNIT SEQUENCE CONTROL OPTION	18
MISCELLANEOUS & ACCESSORIES	19

NOMENCLATURE



UNIT COMPONENTS

ITEM NUMBER	DESCRIPTION	PART NUMBER	QUANTITY PER UNIT	REFERENCE FIGURE
1	Oil Cooler	026-32833-000	1	3
2	Valve, Thermostatic Control	022-08867-000	1	3
3	Valve, Ball – 3/4	022-08738-000	1	8
4	Valve, Stop, Angle – 1/2	022-09554-000	1	9
5	Valve, Stop, Angle – 1/2	022-09195-000	1	4, 9
6	Dehydrator, Filter Drier (Oil Eductor)	026-14777-007	1	5
7	Eductor, Oil Return	364-18241-000	2	5
8	Valve, Stop, Angle – 1/4	022-03836-000	4	7, 10, 11
9	Valve, Stop, Angle – 1/2	022-03834-000	2	7, 11
10	Valve, Ball – 3/4	022-08761-000	2	10, 11
11	Cannister, Oil Filter	026-31684-000 ¹	1	3
11A	Element, Oil Filter 10 Micron	026-35961-000	1	3
11B	“O” Ring Kit	028-08312-005	1	4
12	Valve, Solenoid (Equal. Line) w/o Coil	025-28988-000	1	1
12A	Suppressor (Used with Item 12)	031-00808-000	1	2
12B	Coil (For Item 12)	025-28989-000	1	2
13	Starter, Oil Pump, 12 Amp, 3 Pole (1M)	024-27247-001	1	13
13A	Suppressor (Used with Item 13)	031-00808-000	1	13
14	Transducer, Purge (PP)	025-29148-008	1	12
15	Transducer, Condenser (CP) (w/o VSD)	025-29148-001	1	4
15	Transducer, Condenser (CP) (w/VSD)	025-29148-009	1	4
16	Transducer, Cooler (LEP)	025-29148-002	1	3
17	Sensor, RT1, RT4, RT5, RT9	025-29964-000	4	1
18	Bulb Well	026-32328-000	4	1
19	Varistor, Metal Oxide (Used in PRV)	366-87030-000	2	2
20	High Pressure Cutout (HP)	225-14385-002	1	13
21	Purge Module	Note 2	1	6, 12
22	Rupture Disk, 2-1/2	026-09353-000	1	6
22A	Rupture Disk 3"	026-27788-000		
23	Gasket, Rupture Disk	075-02357-000	2	6
23A	Gasket, Rupture Disk 5 3/8" O.D. x 3 1/2" I.D. x 1/8"	075-02358-000		
24	Gasket, Discharge Connection B1, B2 Compressor C1, C2, C3 Compressor E1, E2, E3, E4 Compressor F1, F2 Compressor	075-02350-000 075-02352-000 075-02351-000 075-02355-000	1	6
25	Gasket, Suction Connection B1,B2 Compressor C1,C2 Compressor C3 Compressor E1, E2, E3, E4 Compressor F1, F2 Compressor	075-02351-000 075-02353-000 075-03294-000 075-02354-000 075-02356-000	2	6
26	Gasket, Orifice Plate	075-21342-000	2	11
27	Sight Glass, Cooler – 2"	021-18004-000	1 ³	7

NOTES:

1. With 10 micron oil filter element (026-35961-000)
2. See This Listing (Items 13, 13A, 14 & 20) and Page 10 for Component Part Numbers
3. Quantity of two (2) Sightglasses Required with the following Compressor and Cooler Combinations:

<u>Compressor</u>	<u>Cooler</u>
E	J,K,L
F	K

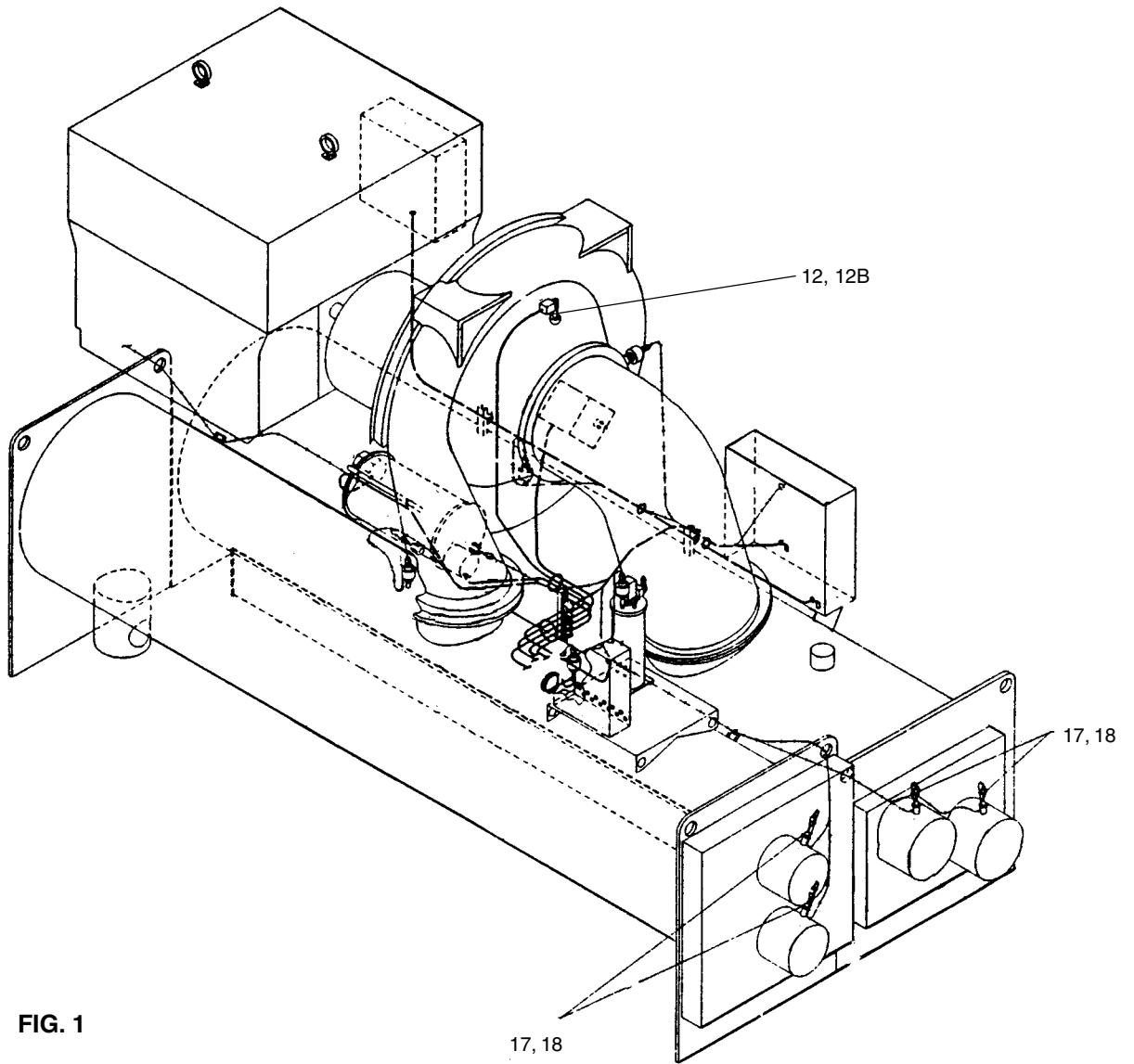


FIG. 1

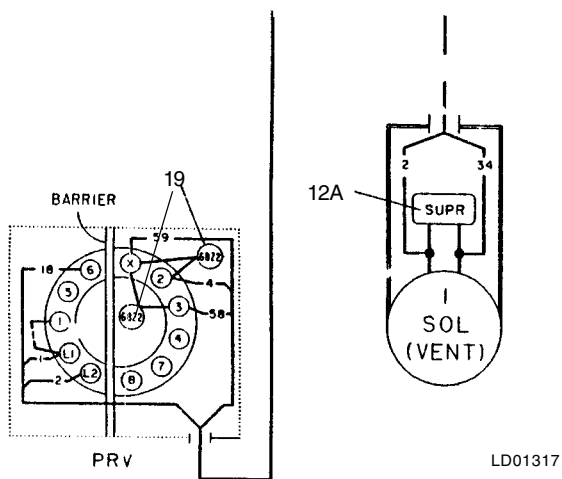


FIG. 2

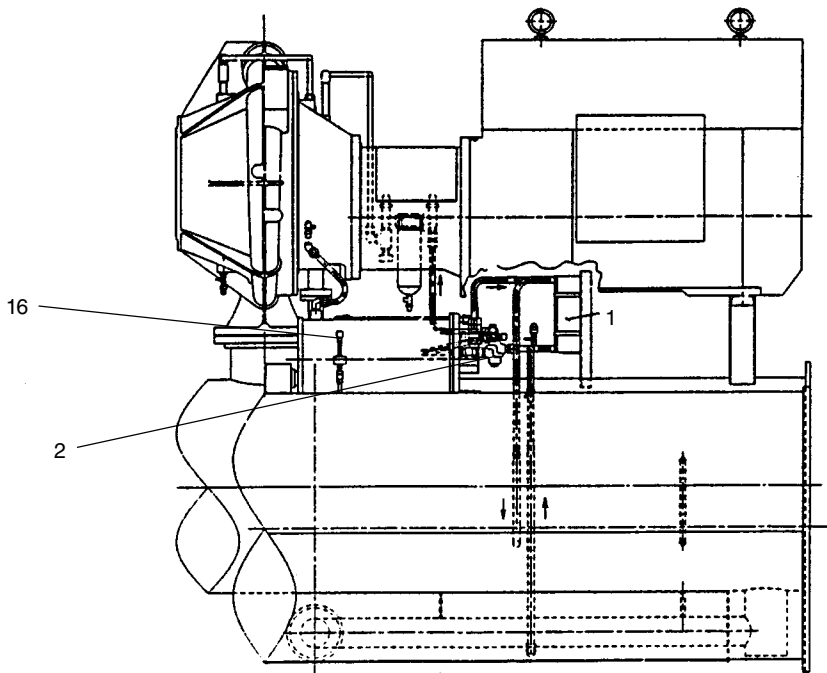


FIG. 3

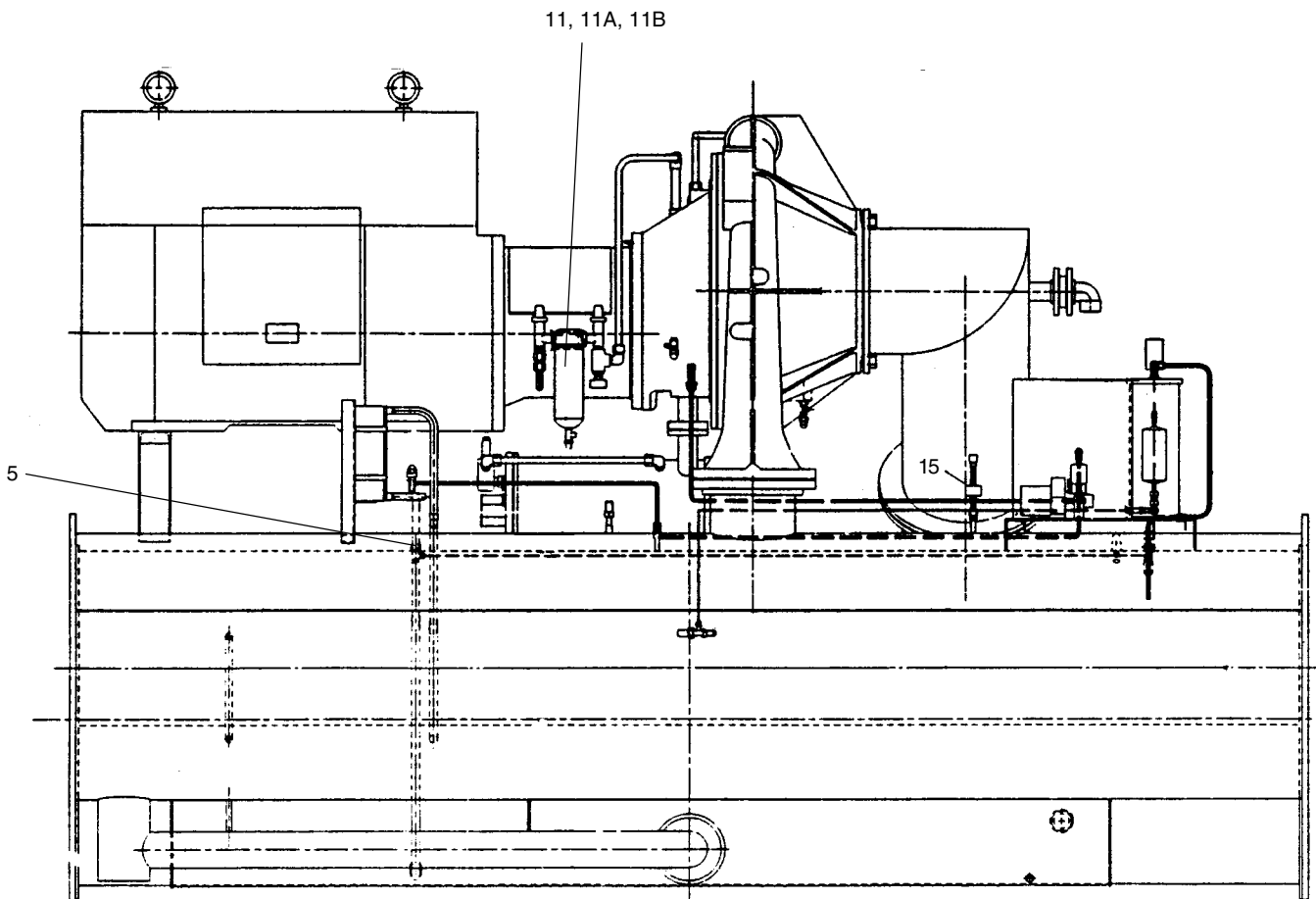


FIG. 4

LD01318

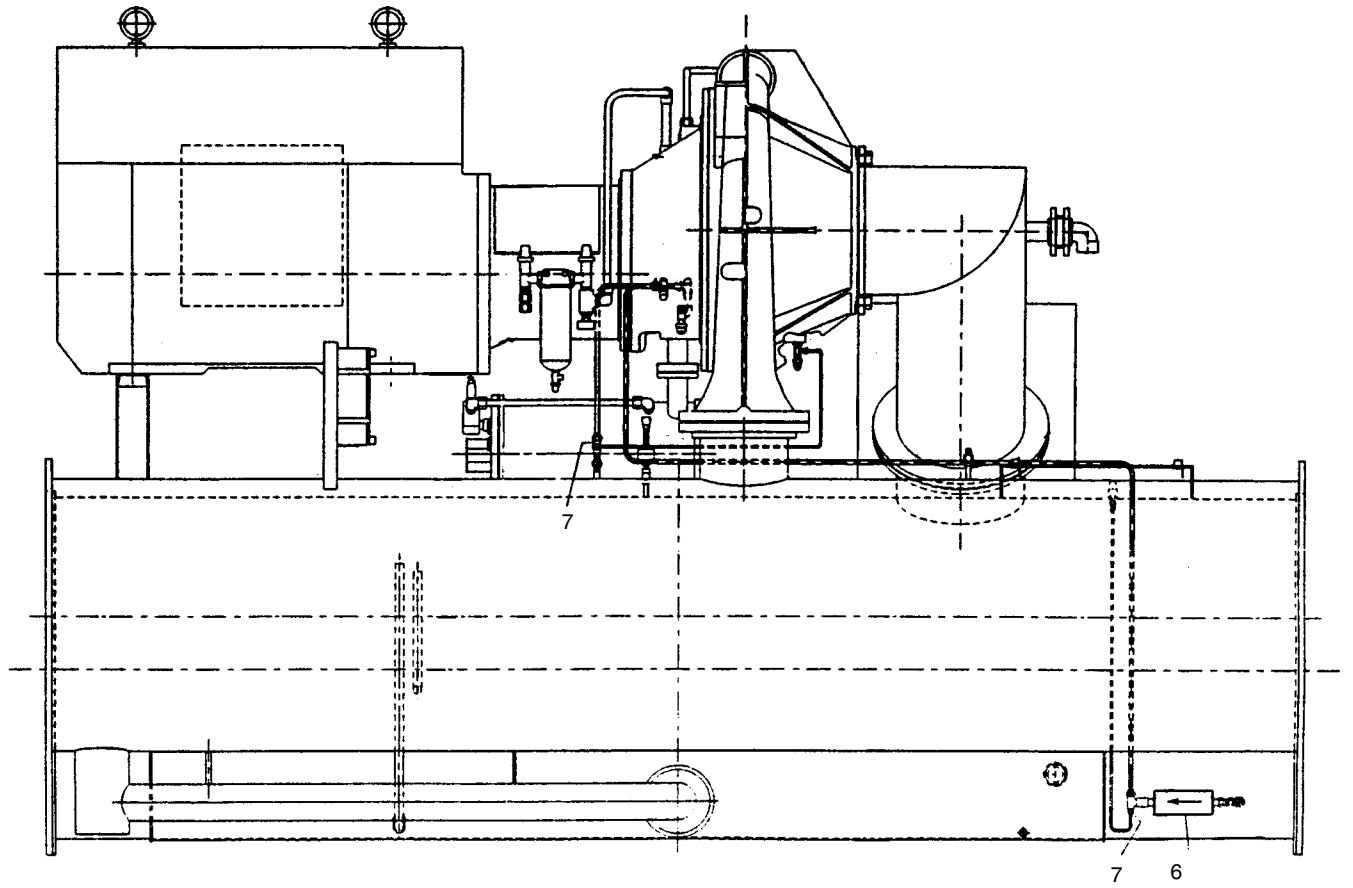


FIG. 5

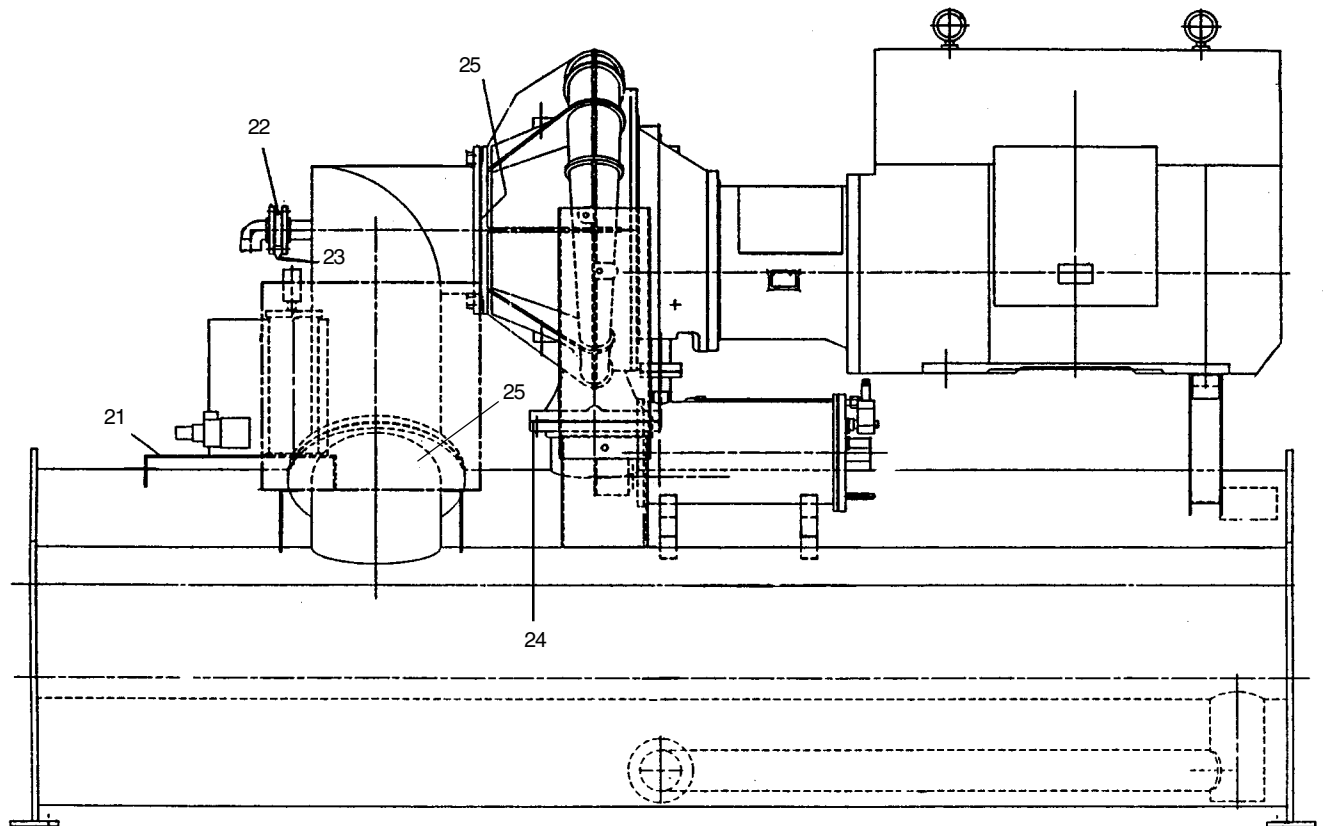


FIG. 6

LD01319

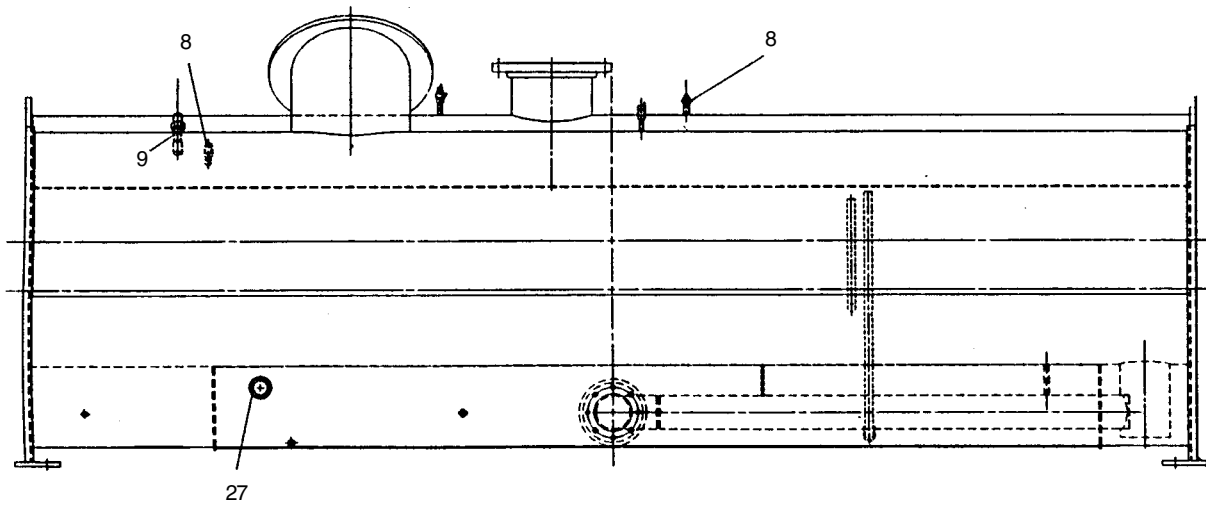


FIG. 7

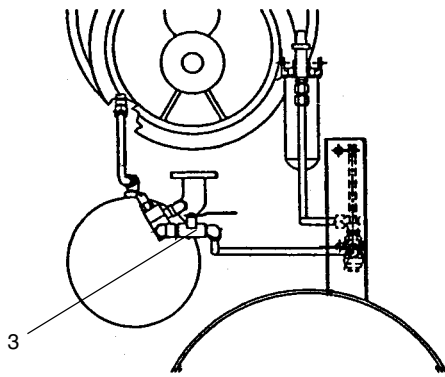


FIG. 8

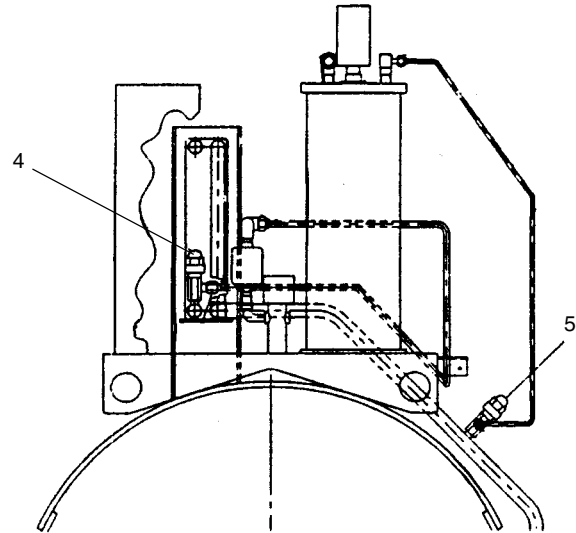


FIG. 9

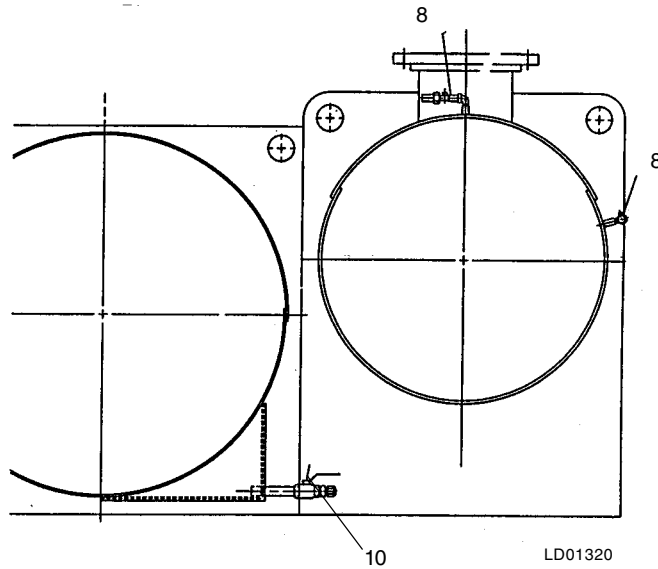


FIG. 10

LD01320

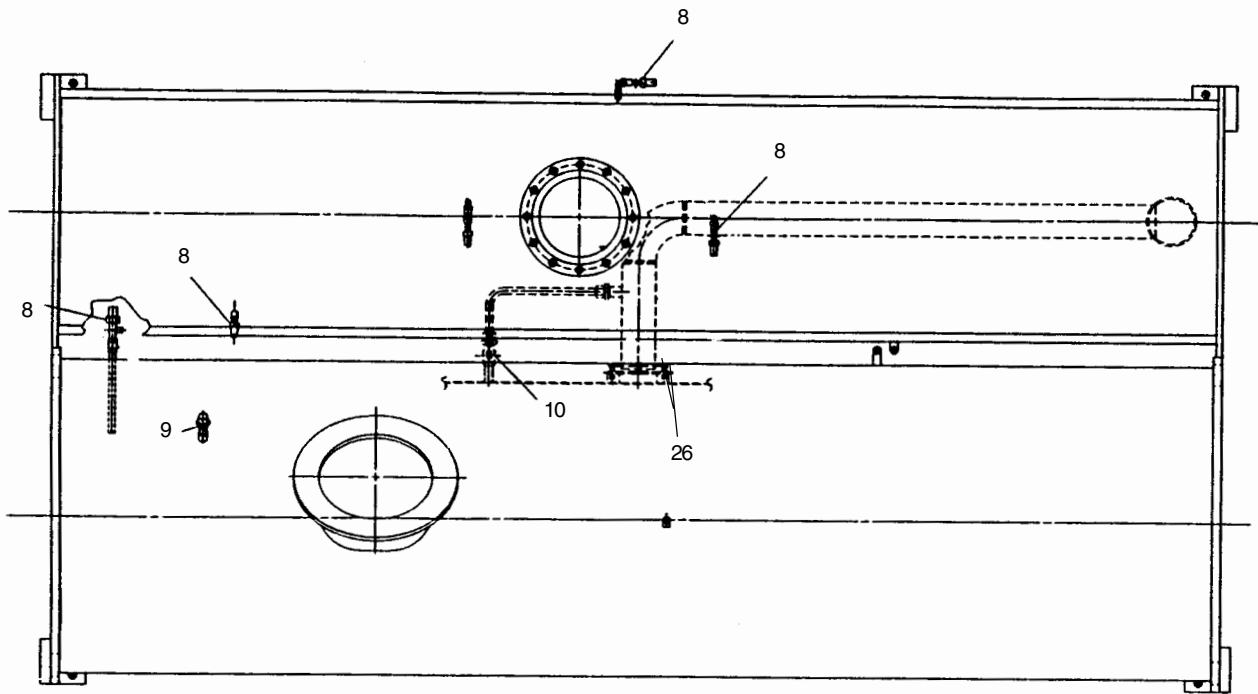


FIG. 11

LD01321

ORIFICE PLATE

APPLICATION RANGE		CODE	PART NUMBER
KW	TONS		
400-520	114-148	E	075-20118-001
521-661	149-188	F	075-20118-002
662-816	189-232	G	075-20118-003
817-987	233-280	H	075-20118-004
988-1171	281-333	I	075-20118-005
1172-1377	334-391	J	075-20118-006
1378-1832	392-521	K	075-20118-007
1833-2352	522-669	L	075-20118-008
2353-2940	670-836	M	075-20118-009
2941-3590	837-1021	N	075-20118-010
3591-4307	1022-1225	O	075-20118-011

PURGE MODULE

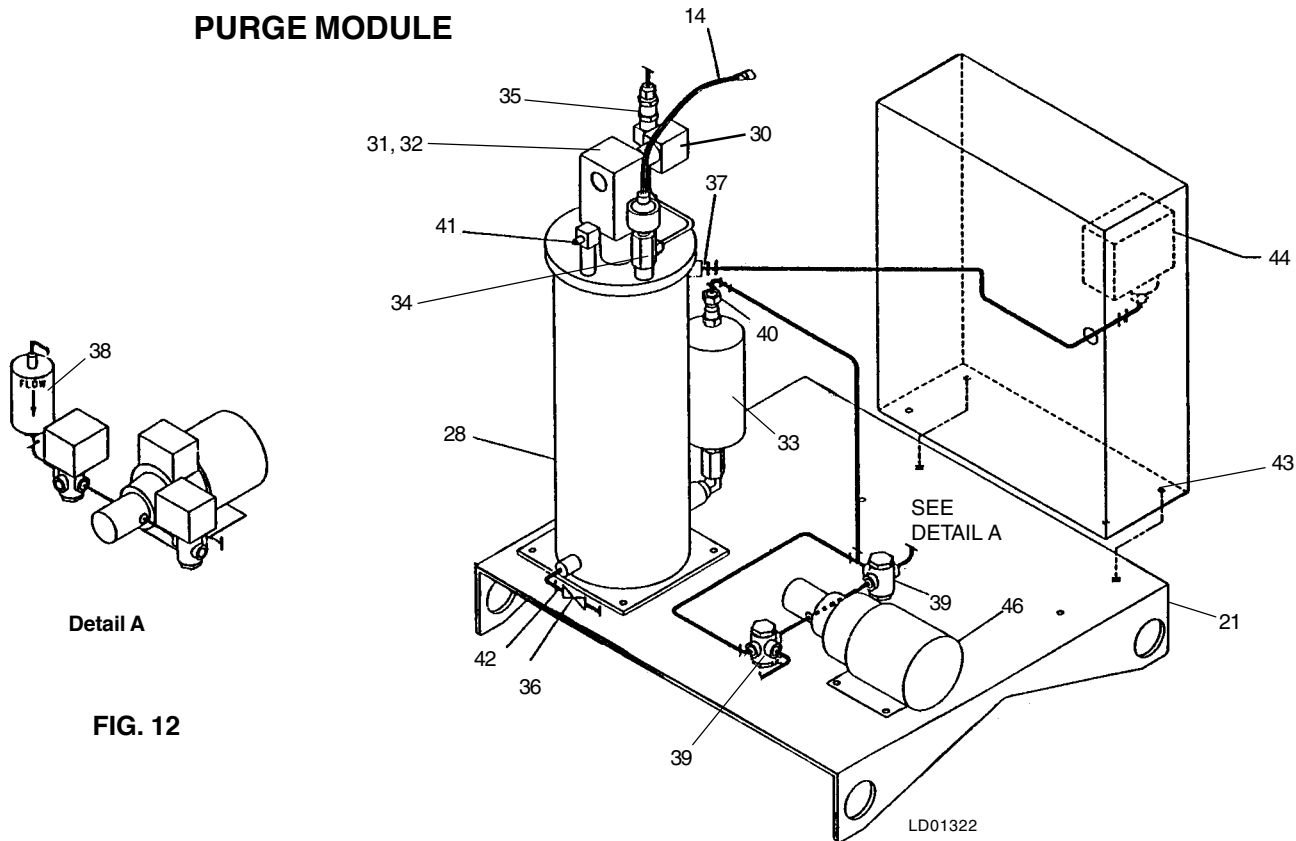


FIG. 12

ITEM NUMBER	DESCRIPTION	PART NO.	QUAN PER UNIT	REF FIGURE
28	Turboguard Purge Unit Core Assembly (Note 1) (Includes Asterisked Items – 29 through 35)	375-21362-000	1	12, 14
29*	Switch, Float	024-27248-000	1	14
30*	Valve, Solenoid, 1/4 SAE (3 SOL – Air)	025-29998-000	1	12
31*	Box, Conduit	025-01145-000	1	12
32*	Cover, Conduit Box	025-01732-000	1	12
33*	Dehydrator, Filter Drier	026-14777-007	1	12
34*	Outlet Connection, Foul Gas	366-91355-000	1	12
35*	Valve, Check, 1/4 FLA x 1/4 FLA	022-03902-000	1	12
36	Valve, Check, 1/4 FLA x 1/4 FLA	022-03902-000	1	12
37	Half-Union, 1/4 NPT x 1/4 FLA	023-00927-000	1	12
38	Strainer, 3/8 Male	029-21710-000	1	12
39	Valve, Solenoid, 3-Way, 1/4 NPTI (2SOL – Oil Supply, 4 SOL – Oil Return)	025-16988-000	2	12
40	Connector, Swivel, 1/2 Int FLA	023-05189-000	1	12
41	Orifice, Liquid Line	066-82377-000	1	12
42	Connector, Union 1/4 Int FLA	023-09040-000	1	12
43	Isolator, 1-1/4 Dia x 3/4 Lg	028-08972-000	4	12
44	Purge Tank High Pressure Cutout (PTHP)	225-30406-001	1	12,14
45	Suppressor (Used with Items 30, 39, and 46)	031-00808-000	4	15
46	Pump, Oil	026-32369-000	1	12

NOTE: 1. If it is necessary to replace the shell, order this core assembly which, in addition to asterisked items, includes coil (internal), insulation and all piping, tubing and fittings required to provide the complete assembly pictured in Fig. 14.

SERVICE PARTS

Oil Pump with motor	026-32369-000
Motor only	024-26507-000
Pump Head	026-32811-000
Service Pack**	026-32812-000

**Includes: 2 gears, 3" O-rings, 5 Bearings, Silicone grease, Sandpaper, and Instructions.

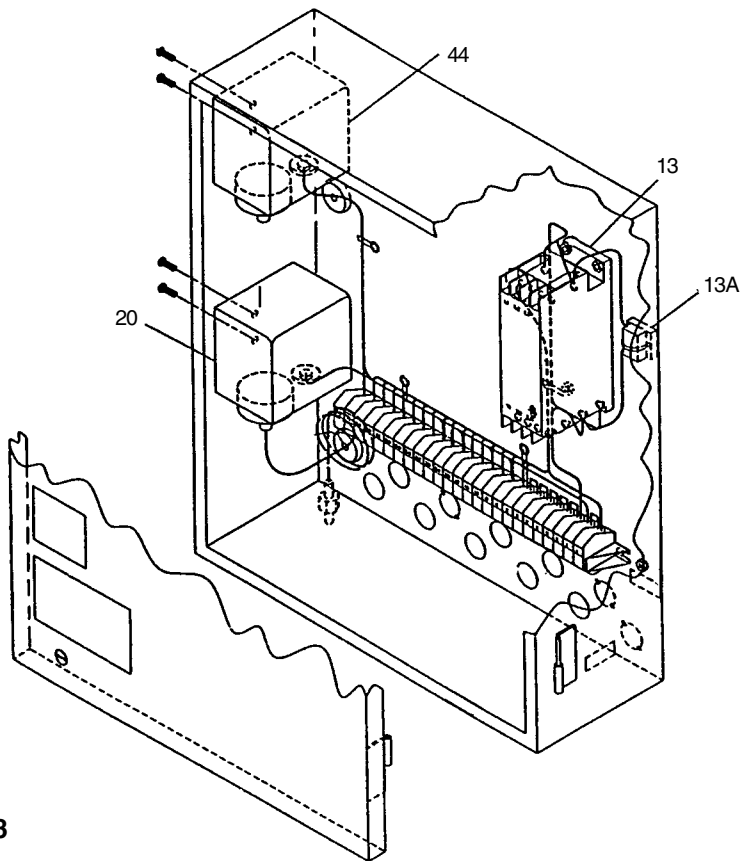


FIG. 13

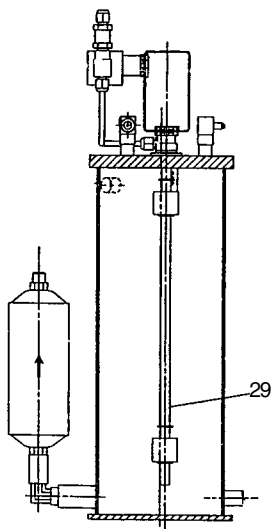


FIG. 14

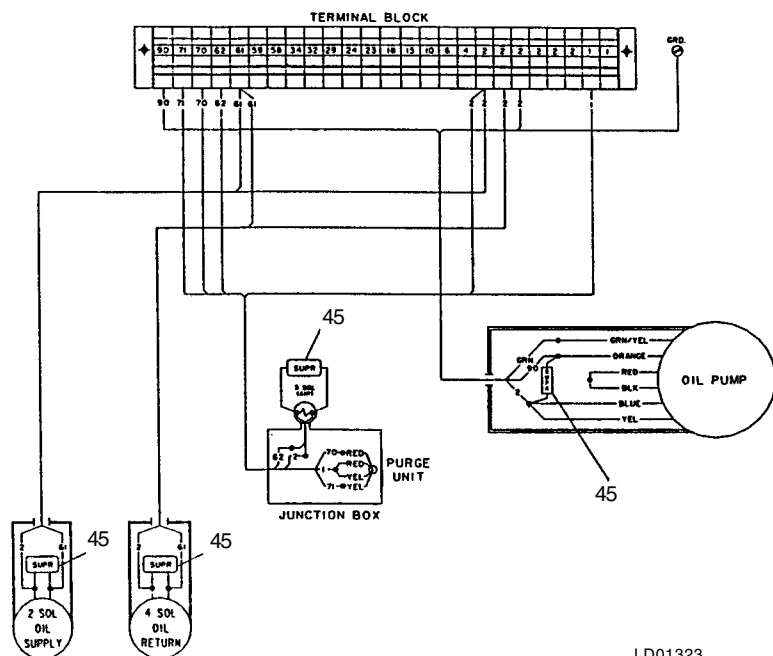


FIG. 15

LD01323

OIL PUMP STARTER OVERLOAD ELEMENTS

OIL PUMP VOLTAGE	PART NUMBER (Includes Quantity of 3 Elements)	
	B, C, & E COMPRESSORS	F COMPRESSORS
200, 208, 220, 230, 240-3-60	024-27251-000	024-27250-000
380, 416, 440, 460, 480-3-60	024-27252-000	024-27252-000
550-3-60	024-27253-000	024-27252-000
575-3-50	024-27254-000	024-27252-000
600-3-60	024-27254-000	024-27253-000
220-3-50	024-27250-000	024-27250-000
346, 380, 400, 415, 440-3-50	024-27252-000	024-27252-000

KIT CURRENT TRANSFORMER

(Field installed electro-mechanical starters only)

MOTOR VOLTAGE	FLA	"CT" RATIO	PART NUMBER	
			USE WITH FACTORY-MOUNTED MOTORS ONLY	USE WITH FIELD-MOUNTED MOTORS ONLY
200/600	65-111	200:1	366-82718-001	366-82720-001
	112-224	350:1	366-82718-002	366-82720-002
	225-829	700:1	366-82718-003	366-82720-003
	830-1790	1400:1	366-82718-004	366-82720-004
2300/4160	11-18	200:1	366-82718-005	366-82720-001
	19-37	200:1	366-82718-005	366-82720-001
	38-123	200:1	366-82718-005	366-82720-001
	124-264	350:1	366-82718-006	366-82720-002

TRANSFORMER ONLY

"CT" RATIO	PART NUMBER
200:1	025-21173-001
350:1	025-21173-002
700:1	025-21173-003
1400:1	025-21173-004

**STRAINER, INLET CHILLED WATER
(Compact Heads and Marine Water Boxes)**

COOLER SHELL CODE	PASS	NOZZLE SIZE	PART NUMBER	
			COMPACT WATER BOX	MARINE WATER BOX
G	1	10	029-12950-000	029-12950-000
	2	8	029-12949-000	029-12949-000
	3	6	029-12948-000	029-12948-000
H	1	12	029-12951-000	029-12951-000
	2	8	029-12949-000	029-12949-000
	3	6	029-12948-000	029-12948-000
J	1	14	029-14727-000	—
		12	—	029-12951-000
	2	10	029-12950-000	029-12950-000
	3	8	029-12949-000	029-12949-000
K	1	14	029-14727-000	—
		12	—	029-12951-000
	2	10	029-12950-000	029-12950-000
	3	8	029-12949-000	029-12949-000
L	1	16	029-14811-000	—
		12	029-12951-000	029-12951-000
	2	12	029-12951-000	029-12951-000
	3	10	029-12950-000	029-12950-000

NEOPRENE VIBRATION ISOLATORS

SYSTEM OPERATING WEIGHT		PART NUMBER Includes Quantity of 4 Pads	PAD SIZE
KILOGRAMS	POUNDS		
Up to 7423	Up to 16365	028-10578-000	4-1/2" x 4-1/2"
7424 to 13107	16366 to 28835	028-10518-000	4-1/2" x 6"
13108 to 24332	28836 to 53530	028-10519-000	6" x 6"

SPRING ISOLATORS

SYSTEM OPERATING WEIGHT		PART NUMBER Includes Brackets and Bolting	QUANTITY
KILOGRAMS	POUNDS		
5828 to 7152	12848 to 15768	029-18113-004	4
7153 to 8907	15769 to 19636	029-18113-001	4
8908 to 11051	19637 to 24363	029-18113-002	4
11052 to 13854	24364 to 30545	029-18113-003	4
13855 to 16577	30546 to 36545	029-18114-001	4
16578 to 20783	36546 to 45818	029-18114-002	4
20784 to 26253	45819 to 57876	029-18114-003	4

WATER BOX GASKETS

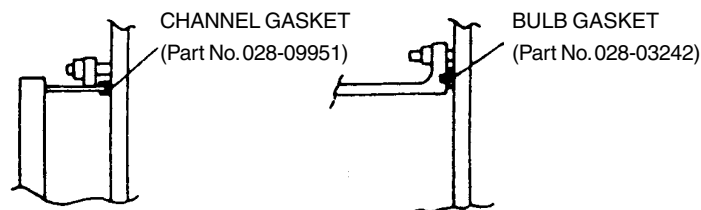


FIG. 16

LD01324

COOLER WITH STANDARD COMPACT WATER BOXES

SHELL CODE	1 PASS		2 PASS		3 PASS	
	GASKET PART NO.	FEET REQ'D	GASKET PART NO.	FEET REQ'D	GASKET PART NO.	FEET REQ'D
G0, G1, G3	028-09951	15.5	028-09951	18.0	028-09951	20.5
H1, H3	028-09951	16.5	028-09951	19.5	028-09951	22.0
J1, J3	028-09951	18.5	028-09951	22.0	028-09951	24.5
K1, K3, K4 K6, K7, K9	028-03242	21.0	028-03242	21.0	028-03242	21.0
			028-09951	4.0	028-09951	7.0
L1, L3, L4, L6	028-03242	22.0	028-03242	22.0	028-03242	22.0
			028-09951	4.0	028-09951	7.0

COOLER WITH MARINE WATER BOXES

SHELL CODE	1 PASS		2 PASS		3 PASS	
	GASKET PART NO.	FEET REQ'D	GASKET PART NO.	FEET REQ'D	GASKET PART NO.	FEET REQ'D
G0, G1, G3	028-03242	32.0	028-03242	16.0	028-03242	32.0
			028-09951	13.0	028-09951	10.0
H1, H3	028-03242	34.0	028-03242	17.0	028-03242	34.0
			028-09951	14.75	028-09951	11.5
J1, J3	028-03242	38.0	028-03242	19.0	028-03242	38.0
			028-09951	17.0	028-09951	13.0
K1, K3, K4 K6, K7, K9	028-03242	41.0	028-03242	31.0	028-09951	41.0
			028-09951	8.0	028-03242	14.0
L1, L3, L4, L6	028-03242	43.0	028-03242	33.0	028-03242	43.0
			028-09951	8.0	028-09951	14.0

WATER BOX GASKETS (Cont'd)

CONDENSER WITH STANDARD COMPACT WATER BOXES

SHELL CODE	1 PASS		2 PASS	
	GASKET PART NO.	FT. REQ'D	GASKET PART NO.	FT. REQ'D
A1, A2 A3, A4	028-09951	18.0	028-09951	20.25
B1, B2 B3, B4	028-09951	21.5	028-09951	24.25
C1, C2 C3, C4 C5, C6 C7, C8	028-09951	21.5	028-09951	24.25
D1, D2 D3, D4 D5, D6 D7, D8	028-09951	25.0	028-09951	28.25

CONDENSER WITH MARINE WATER BOXES

SHELL CODE	1 PASS		2 PASS	
	GASKET PART NO.	FT. REQ'D	GASKET PART NO.	FT. REQ'D
A1, A2 A3, A4	028-03242	36.5	028-03242 028-09951	18.25 13.25
B1, B2 B3, B4	028-03242	43.5	028-03242 028-09951	21.75 15.75
C1, C2 C3, C4 C5, C6 C7, C8	028-03242	43.5	028-03242 028-09951	21.75 15.75
D1, D2 D3, D4 D5, D6 D7, D8	028-03242	50.75	028-03242 028-09951	25.375 18.375

COOLERTUBES

SHELL CODE	TUBE QUANTITY	TUBE TYPES						
		STANDARD	OPTIONS					
		Turbo B II			Turbo Chil CuNi 90/10	Tru-Fin		
		WALL THICKNESS						
		.025	.028	.035	.035	.028	.035	
		PART NUMBERS						
G0	200	007-08095	007-08216	007-08258	007-06731	007-08246	007-07695	
G1	232	007-08095	007-08216	007-08258	007-06731	007-08246	007-07695	
G3	296	007-08095	007-08216	007-08258	007-06731	007-08246	007-07695	
H1	321	007-08095	007-08216	007-08258	007-06731	007-08246	007-07695	
H3	377	007-08095	007-08216	007-08258	007-06731	007-08246	007-07695	
J1	410	007-08095	007-08216	007-08258	007-06731	007-08246	007-07695	
J3	484	007-08095	007-08216	007-08258	007-06731	007-08246	007-07695	
K1	524	007-08095	007-08216	007-08258	007-06731	007-08246	007-07695	
K3	618	007-08095	007-08216	007-08258	007-06731	007-08246	007-07695	
K4	413	007-08402	007-08248	007-08229	007-07798	007-08486	007-08487	
K6	484	007-08402	007-08248	007-08229	007-07798	007-08486	007-08487	
K7	524	007-08402	007-08248	007-08229	007-07798	007-08486	007-08487	
K9	618	007-08402	007-08248	007-08229	007-07798	007-08486	007-08487	
L1	670	007-08095	007-08216	007-08258	007-06731	007-08246	007-07695	
L3	785	007-08095	007-08216	007-08258	007-06731	007-08246	007-07695	
L4	670	007-08402	007-08248	007-08229	007-07798	007-08486	007-08487	
L6	785	007-08402	007-08248	007-08229	007-07798	007-08486	007-08487	

CONDENSER TUBES

SHELL CODE	TUBE QUAN	TUBE TYPES						
		STANDARD	OPTIONS					
		Turbo C II					Turbo Chil	
		SMOOTH BORE					CuNi 90/10	
		WALL THICKNESS						
		.025	.028	.035	.028	.035	.028	.035
PART NUMBERS								
A1	236	007-08458	007-08488	007-08489	007-08492	007-08493	007-08490	007-08491
A2	269	007-08458	007-08488	007-08489	007-08492	007-08493	007-08490	007-08491
A3	308	007-08458	007-08488	007-08489	007-08492	007-08493	007-08490	007-08491
A4	353	007-08458	007-08488	007-08489	007-08492	007-08493	007-08490	007-08491
B1	406	007-08458	007-08488	007-08489	007-08492	007-08493	007-08490	007-08491
B2	452	007-08458	007-08488	007-08489	007-08492	007-08493	007-08490	007-08491
B3	504	007-08458	007-08488	007-08489	007-08492	007-08493	007-08490	007-08491
B4	563	007-08458	007-08488	007-08489	007-08492	007-08493	007-08490	007-08491
C1	434	007-08458	007-08488	007-08489	007-08492	007-08493	007-08490	007-08491
C2	480	007-08458	007-08488	007-08489	007-08492	007-08493	007-08490	007-08491
C3	532	007-08458	007-08488	007-08489	007-08492	007-08493	007-08490	007-08491
C4	591	007-08458	007-08488	007-08489	007-08492	007-08493	007-08490	007-08491
C5	434	007-08459	007-08494	007-08495	007-08498	007-08499	007-08496	007-08497
C6	480	007-08459	007-08494	007-08495	007-08498	007-08499	007-08496	007-08497
C7	532	007-08459	007-08494	007-08495	007-08498	007-08499	007-08496	007-08497
C8	591	007-08459	007-08494	007-08495	007-08498	007-08499	007-08496	007-08497
D1	657	007-08458	007-08488	007-08489	007-08492	007-08493	007-08490	007-08491
D2	731	007-08458	007-08488	007-08489	007-08492	007-08493	007-08490	007-08491
D3	814	007-08458	007-08488	007-08489	007-08492	007-08493	007-08490	007-08491
D4	908	007-08458	007-08488	007-08489	007-08492	007-08493	007-08490	007-08491
D5	657	007-08459	007-08494	007-08495	007-08498	007-08499	007-08496	007-08497
D6	731	007-08459	007-08494	007-08495	007-08498	007-08499	007-08496	007-08497
D7	814	007-08459	007-08494	007-08495	007-08498	007-08499	007-08496	007-08497
D8	908	007-08459	007-08494	007-08495	007-08498	007-08499	007-08496	007-08497

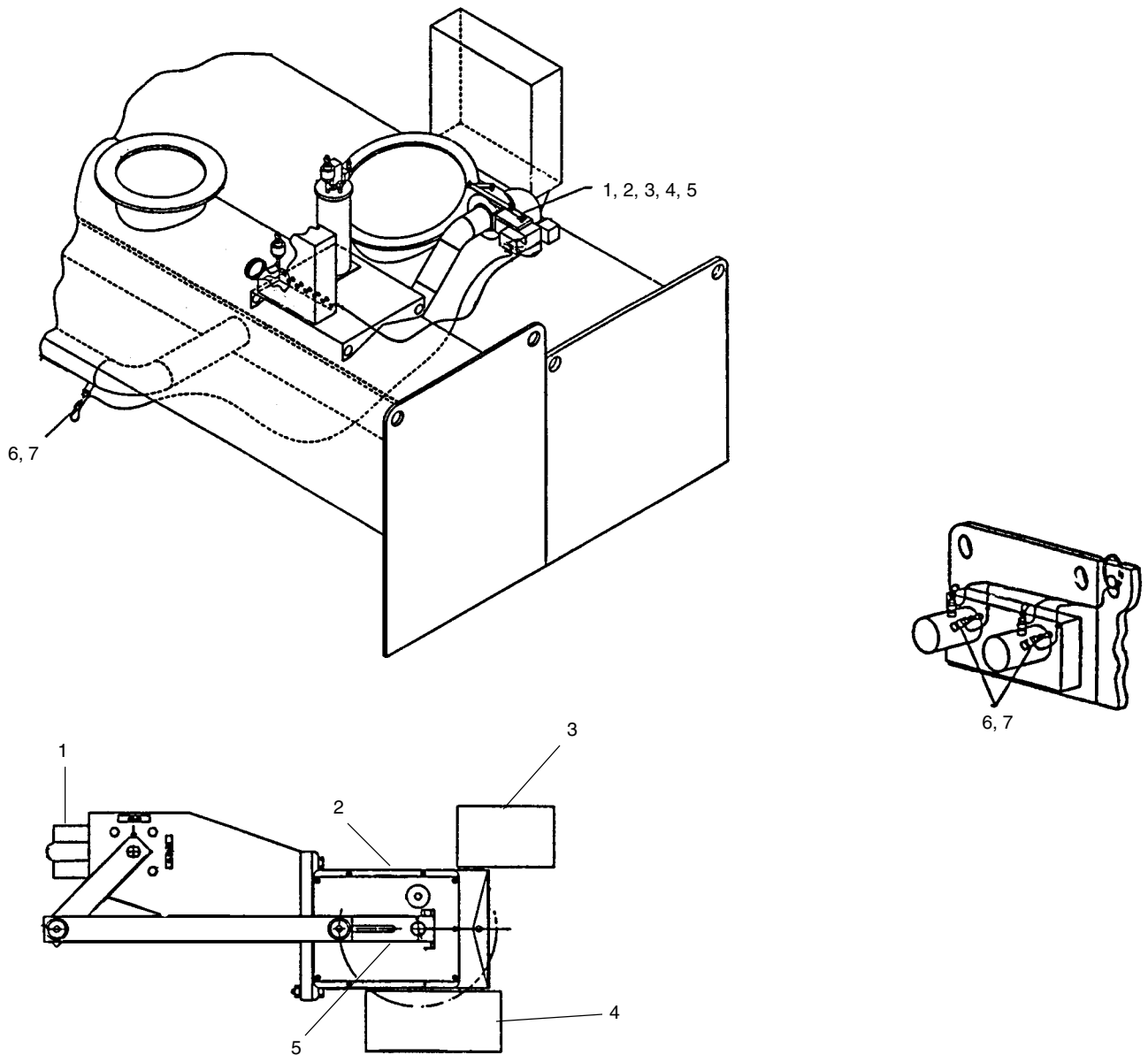


FIG. 17

LD01325

HOT GAS BYPASS CONTROL

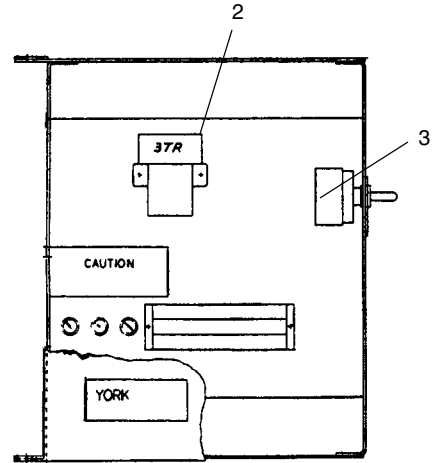
ITEM	COMPRESSOR	DESCRIPTION	SIZE	PART NUMBER	QUANTITY
1	B	Valve, Butterfly	2"	022-05739-000	1
	C		3"	022-05743-000	1
	E,F		4"	022-05745-000	1
2	ALL	Motor, Actuator		025-17521-000	1
3	ALL	Control, Actuator Motor		025-20799-000	1
4	ALL	Control, Hot Gas Bypass		031-00239-000	1
5	ALL	Crank Arm		025-17073-000	1
6	ALL	Sensor		025-29964-000	3
7	ALL	Thermo Well		026-32328-000	3

MULTIPLE UNIT SEQUENCE KIT CONTROLS

TWO UNITS

ITEM	DESCRIPTION	QUANTITY	PART NUMBER
1 ¹	Controller, RWT	1	025-15154-000
2	Relay, Time Delay	1	024-13711-000
3	Switch, Toggle	1	024-14057-000

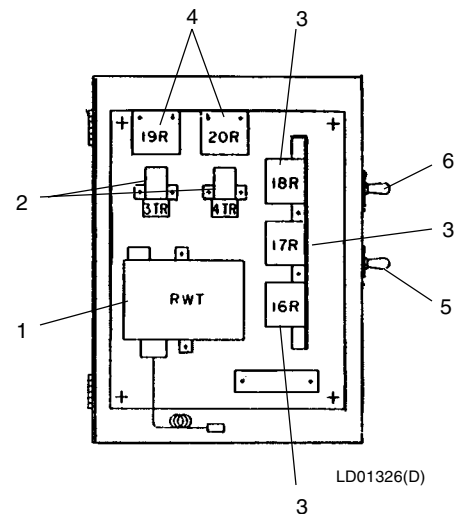
Note: ¹ Not Shown. Remote Mounted.



LD01326(D)

THREE UNITS

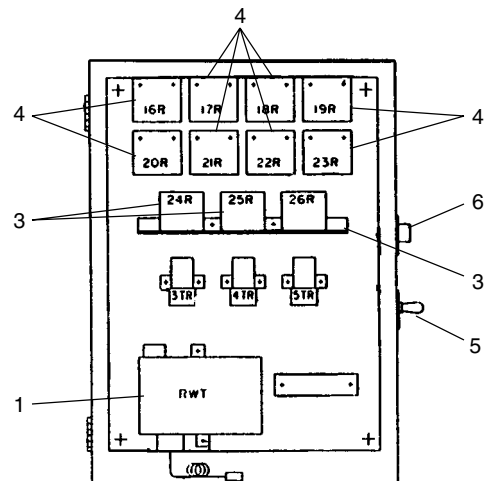
ITEM	DESCRIPTION	QUANTITY	PART NUMBER
1	Controller, RWT	1	025-10215-000
2	Relay, Time Delay	2	024-13711-000
3	Relay, Control	3	024-27246-000
4	Relay, Control	2	024-14519-000
5	Switch, Toggle	1	024-11736-000
6	Switch, Toggle	1	024-17026-000



LD01326(D)

FOUR UNITS

ITEM	DESCRIPTION	QUANTITY	PART NUMBER
1	Controller, RWT	1	025-10214-000
2	Relay, Time Delay	3	024-13711-000
3	Relay, Control	3	024-27246-000
4	Relay, Control	8	024-14519-000
5	Switch, Toggle	1	024-11736-000
6	Switch, Rotary	1	024-20494-000



LD01326(D)

MISCELLANEOUS AND ACCESSORIES**COMPOUND**

DESCRIPTION	PART NUMBER	QUANTITY
Compound, Heat Conductive (For Thermometer Wells)	013-00898-000	4 Oz. Can

TOUCH-UP – SPRAY CANS

DESCRIPTION	PART NUMBER
Caribbean Blue Enamel	013-01835-000
Black (Control Center)	Purchase Locally

TEMPERATURE RECORDER

DESCRIPTION		PART NUMBER
HZ	NUM. OF PENS	
60	1	025-09658-000
	2	025-09823-000
50	1	025-12650-000
	2	025-12330-000

FLOW SWITCH CONTROL

DESCRIPTION	PART NUMBER
150 DWP	024-26116-000
300 DWP	024-12144-000

DIFFERENTIAL PRESSURE CONTROL

DESCRIPTION	PART NUMBER
Control, Differential Pressure*	025-30919-000

*300 PSI Maximum Working Pressure

ACCESSORY CONTROL PARTS

DESCRIPTION	PART NUMBER
Card File (Remote Current Setpoint and Temperature Setpoint)	031-00827-000
Cards (Remote Current Setpoint and Temperature Setpoint)	031-00814-000



P.O. Box 1592, York, Pennsylvania USA 17405-1592
Copyright © by York International Corporation 2001

Form 160.48-RP5 (601)
Supersedes: 160.48-RP5 (899)
160.48-RP5 (SB1) (1099)

Subject to change without notice. Printed in USA
ALL RIGHTS RESERVED