



AIR-COOLED SCREW CHILLERS

REPLACEMENT PARTS

Supersedes: 150.76-RP1.1 (816)

Form 150.76-RP1 (1217)

MODEL YSAA

AIR-COOLED SCREW CHILLERS STYLE A



LD20515



R-134A
65-135 TON
255-475 kW
60 Hz

Issue Date:
December 8, 2017



IMPORTANT!

READ BEFORE PROCEEDING!

GENERAL SAFETY GUIDELINES

This equipment is a relatively complicated apparatus. During rigging, installation, operation, maintenance, or service, individuals may be exposed to certain components or conditions including, but not limited to: heavy objects, refrigerants, materials under pressure, rotating components, and both high and low voltage. Each of these items has the potential, if misused or handled improperly, to cause bodily injury or death. It is the obligation and responsibility of rigging, installation, and operating/service personnel to identify and recognize these inherent hazards, protect themselves, and proceed safely in completing their tasks. Failure to comply with any of these requirements could result in serious damage to the equipment and the property in

which it is situated, as well as severe personal injury or death to themselves and people at the site.

This document is intended for use by owner-authorized rigging, installation, and operating/service personnel. It is expected that these individuals possess independent training that will enable them to perform their assigned tasks properly and safely. It is essential that, prior to performing any task on this equipment, this individual shall have read and understood the on-product labels, this document and any referenced materials. This individual shall also be familiar with and comply with all applicable industry and governmental standards and regulations pertaining to the task in question.

SAFETY SYMBOLS

The following symbols are used in this document to alert the reader to specific situations:



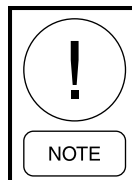
Indicates a possible hazardous situation which will result in death or serious injury if proper care is not taken.



Identifies a hazard which could lead to damage to the machine, damage to other equipment and/or environmental pollution if proper care is not taken or instructions and are not followed.



Indicates a potentially hazardous situation which will result in possible injuries or damage to equipment if proper care is not taken.



Highlights additional information useful to the technician in completing the work being performed properly.



External wiring, unless specified as an optional connection in the manufacturer's product line, is not to be connected inside the control cabinet. Devices such as relays, switches, transducers and controls and any external wiring must not be installed inside the micro panel. All wiring must be in accordance with Johnson Controls' published specifications and must be performed only by a qualified electrician. Johnson Controls will NOT be responsible for damage/problems resulting from improper connections to the controls or application of improper control signals. Failure to follow this warning will void the manufacturer's warranty and cause serious damage to property or personal injury.

CHANGEABILITY OF THIS DOCUMENT

In complying with Johnson Controls' policy for continuous product improvement, the information contained in this document is subject to change without notice. Johnson Controls makes no commitment to update or provide current information automatically to the manual or product owner. Updated manuals, if applicable, can be obtained by contacting the nearest Johnson Controls Service office or accessing the Johnson Controls QuickLIT website at <http://cgproducts.johnsoncontrols.com>.

It is the responsibility of rigging, lifting, and operating/service personnel to verify the applicability of these documents to the equipment. If there is any question

regarding the applicability of these documents, rigging, lifting, and operating/service personnel should verify whether the equipment has been modified and if current literature is available from the owner of the equipment prior to performing any work on the chiller.

CHANGE BARS

Revisions made to this document are indicated with a line along the left or right hand column in the area the revision was made. These revisions are to technical information and any other changes in spelling, grammar or formatting are not included.

HOW TO USE RENEWAL PARTS MANUALS

Johnson Controls offers an assortment of replacements parts for Johnson Controls, YORK and UPG units. Each replacement part is manufactured and fitted for a specific model. This Replacement Parts Manual is for standard Johnson Controls units. Chiller units built with special options, modifications, or conversions are not covered in this manual.

This Replacement Parts Manual provides Johnson Controls chiller replacement parts by part numbers, descriptions, quantities and drawing figures. To determine the correct replacement part, locate the item on drawing figure and refer to the parts list for the part number, description and quantity.

The Model/Serial Number Plate is located on the rotor housing assembly.

NOTE: Provide a unit model number, unit serial number and part number when requesting a quotation or placing an order. Failure to include this information may delay processing of your request.

Contact the following sources to order parts.

NORTH AMERICA

Baltimore Parts Center

Telephone: 800-932-1701

Email: cg-baltimore-parts-customer@jci.com

UPG/Source 1 Parts

Telephone: 800-536-6112

Email: www.source1parts.com

Airside Technical Services

Telephone: 800-545-7814

Email: John.H.Pebley@jci.com

EUROPE

Europe Parts Center

Telephone: +44 (0) 1268 246400

Email: ALLParts@jci.com

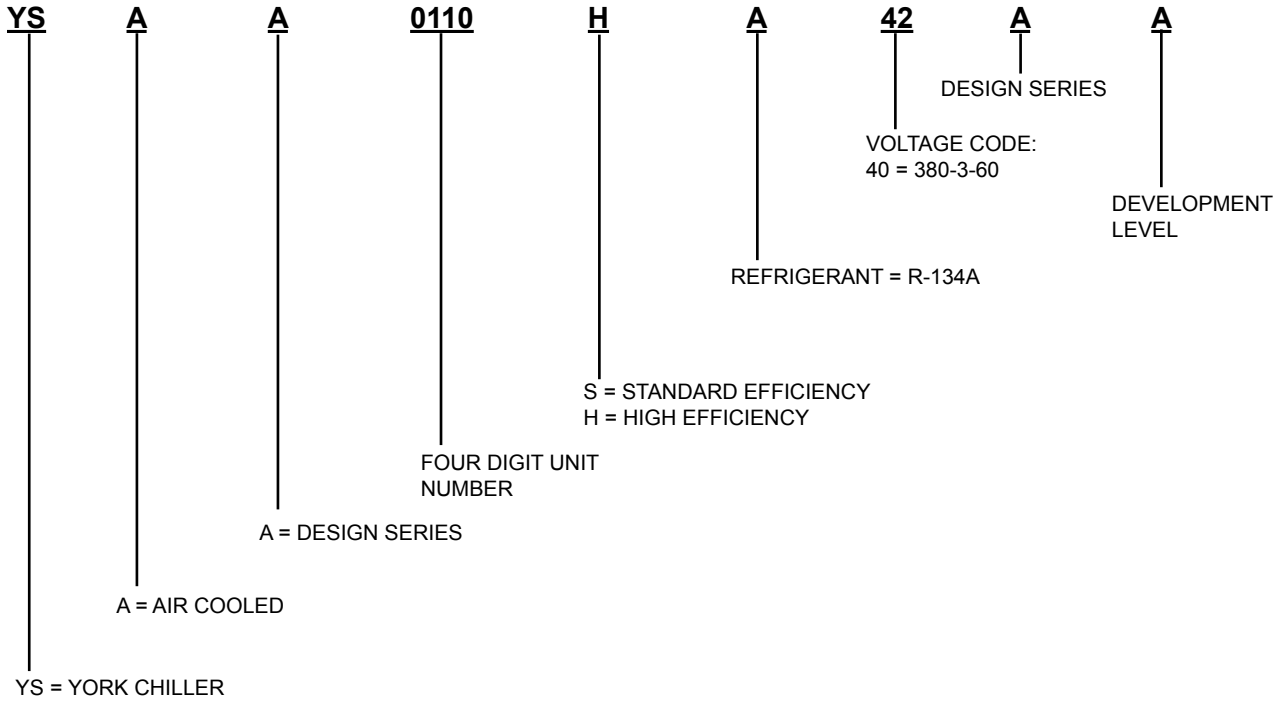
ASIA

Asia Parts Center

Telephone:

Email:

NOMENCLATURE



LIST OF TABLES

TABLE 1 - Pin Description	6
TABLE 2 - Unit Assembly Models 0070 And 0090	9
TABLE 3 - Unit Assembly Models 0110 And 0130	11
TABLE 4 - Base Assembly Model 0070	13
TABLE 5 - Base Assembly Model 0090	14
TABLE 6 - Base Assembly Models 0110 And 0130	16
TABLE 7 - Compressor Assemblies	18
TABLE 8 - Cooler (Pin 39=X Or D)	19
TABLE 9 - Condenser Coils	20
TABLE 10 - Condenser Coils 392-40362-000 Pin 45=X	20
TABLE 11 - Condenser Coils 392-40362-001 Pin 45=X	21
TABLE 12 - Condenser Coils 392-40362-010 Pin 45=P	21
TABLE 13 - Condenser Coils 392-40362-011 Model 0090 Pin 45=P	22
TABLE 14 - Condenser Coils 392-40362-020 Pin 45=X	22
TABLE 15 - Condenser Coils 392-40362-021 Pin 45=P	23
TABLE 16 - Relief Safety Devices	25
TABLE 17 - Fan Deck Assembly (Pin 52=F)	26
TABLE 18 - Fan Deck Assembly (Pin 52=G)	27
TABLE 19 - System Wiring	28
TABLE 20 - Sensor Wiring Plug Detail	30
TABLE 21 - BDP (Disch. Press.) Wiring Detail	31
TABLE 22 - Power Panel - Soft Starter (Pin 13=T), Pins 16 & 17 = BX	36
TABLE 23 - Power Panel - Soft Starter (Pin 13=T), Pins 16 & 17 = SX	40
TABLE 24 - Power Panel - Across The Line Starter (Pin 13=X), Pins 16 & 17 = BX	44
TABLE 25 - Power Panel - Across The Line Starter (Pin 13=X), Pins 16 & 17 = SX	46
TABLE 26 - Common Parts	48
TABLE 27 - Language Kit	53
TABLE 28 - Micro Assembly	54
TABLE 29 - Power Enclosure	57
TABLE 30 - Control Transformer	59
TABLE 31 - Refrigerant	61
TABLE 32 - Elink	61
TABLE 33 - Victaulic Flange Kit	61
TABLE 34 - Vibration Isolators Part Numbers	62

TABLE 1 - PIN DESCRIPTION

FEATURE	FEATURE DESCRIPTION	OPTION	OPTION DESCRIPTION
MODEL	Model (PIN 1-4)		YSAA
CAP	Capacity (PIN 5-8)	70	70
		90	90
		110	110
		130	130
UNIT	Unit Designator (PIN 9)	H	High Efficiency
REF	Refrigerant (PIN 10)	A	R-134A
VOLTS	Voltage (PIN 11 & 12)	28	230/3/60
		40	380/3/60
		42	400/3/60
		50	380-415/3/50
STARTER	Starter (PIN 13)	X	Across the Line starter
		T	Soft Start
DESIGN	Design Series (PIN 14)	A	Design Series A (MicroChannel)
DEV	Development Level (PIN 15)	A	Development Level A
POWER	Power Field (PIN 16 & 17)	SX	SP Supply TB
		BX	SP Circuit Breaker w/ Lockable Handle
		Q	Special Quote
TRANS	Cntrl Transformer (PIN 18)	T	Control Transformer Required
		Q	Special Quote
PFC	Power Factor Capacitor (19)	X	No Option
		Q	Special Quote
AMB	Ambient Kits (PIN 20)	H	High Ambient Kit Standard (factory)
		A	Both Low/High Ambient Kit Required (factory)
		B	Both Low/High Ambient Kit w/ Sun Shield (factory)
		S	High Ambient Kit w/Sunshield (factory)
		Q	Special Quote
BAS	Bas Reset/Offset (PIN 21)	X	No Selection
		L	LON E-Link Kit
		S	SC-Equip Board
		Q	Special Quote
LCD	Language (PIN 22)	X	English
		Q	Special Quote
RDOUT	Readout Kits (PIN 23)	B	Both Discharge & Suction Pressure Transducer Readout required
		Q	Special Quote
SAFETY	Safety Codes (PIN 24)	L	N American Safety Code (cUL/cETL)
		Q	Special Quote
SENSOR	PIN 25	X	No Option
		Q	Special Quote
PUMP	Motor Current Module (PIN 26)	X	No Option
		Q	Special Quote
REMOTE	Remote Panel (PIN 27)	X	No Option
		Q	Special Quote

TABLE 1 - PIN DESCRIPTION (CONT'D)

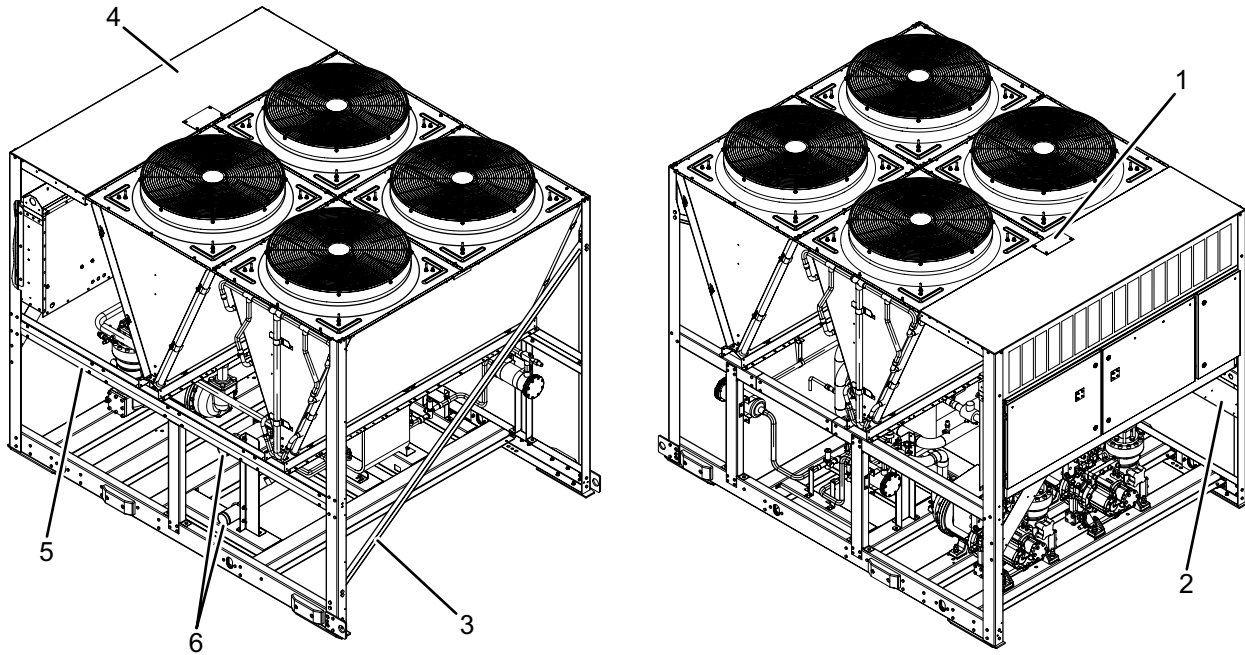
FEATURE	FEATURE DESCRIPTION	OPTION	OPTION DESCRIPTION
SEQ	Sequence Kit (PIN 28)	X	No Option
		Q	Special Quote
TEMP	Leaving Water Temp (29 & 30)		
CHICAGO	Chicago Code Kit (PIN 31)	X	No Chicago Code Kit required
		S	Service Isolation Valves
		Q	Special Quote
VALVES	Valves (PIN 32)	E	Electronic Expansion Valve
		Q	Special Quote
HGBP	Hot Gas Bypass (PIN 33)	X	No Hot Gas Bypass required
		Q	Special Quote
GAUGE	PIN 34	X	No Option
		Q	Special Quote
OVERLOAD	PIN 35	X	No Option
		Q	Special Quote
PIN36	PIN 36	X	No Option
		Q	Special Quote
HTR	Crankcase Heater (Pin 37)	H	Crankcase Heater Standard
		Q	Special Quote
DWP	DWP (PIN 38)	X	150psig DWP Waterside
		Q	Special Quote
INS	Insulation (PIN 39)	X	Standard Insulation
		D	Double Thick Insulation
		Q	Special Quote
FLANGES	Flanges (PIN 40)	X	No Flanges Required
		V	Victaulic Flanges required
		Q	Special Quote
FLOW	Flow Switch (PIN 41)	X	No Option
		Q	Special Quote
VESSEL	Vessel Codes (PIN 42)	A	ASME Pressure Vessel Codes
		Q	Special Quote
CLR	Cooler (PIN 43)	X	Standard Cooler required
		Q	Special Quote
PIN44	PIN 44	X	No Option
		Q	Special Quote
COILS	Coils (PIN 45)	X	Aluminum Coils
		P	Post-Coated Dipped Coils (Environment Guard Premium)
		T	Post-Coated Micro-Channel Coils (Environment Guard Basic)
		Q	Special Quote
HEAT	Heat Recovery (PIN 46)	X	No Option
		Q	Special Quote
FANMOTORS	Fan Motors (PIN 47)	X	TEAO Fan Motors
		Q	Special Quote

TABLE 1 - PIN DESCRIPTION (CONT'D)

FEATURE	FEATURE DESCRIPTION	OPTION	OPTION DESCRIPTION
ENCL	Enclosure Panels (PIN 48)	X	No Option
		Q	Special Quote
ACOUSTIC	Acoustic Blanket (PIN 49)	X	No Option
		Q	Special Quote
SRDOCS	SR Documents (PIN 50)	X	No Documents Required
		A	Base, Material & Witness Documents
		B	Base Document
		M	Base & Material Documents
		W	Base & Witness Documents
		Q	Special Quote
BRANDING	Branding Kit (PIN 51)	X	Standard York/JCI Branding
		Q	Special Quote
FANS	Sound Fans (PIN 52)	F	Low Sound Fans required
		G	High Airflow Fans required
		Q	Special Quote
PAINT	PIN 53	X	No Option
		Q	Special Quote
ISOL	Vibration Isolators (PIN 54)	X	No Isolators required
		I	1" Deflection Isolators required
		N	Neoprene Isolators required
		S	Seismic Isolators required
		Q	Special Quote

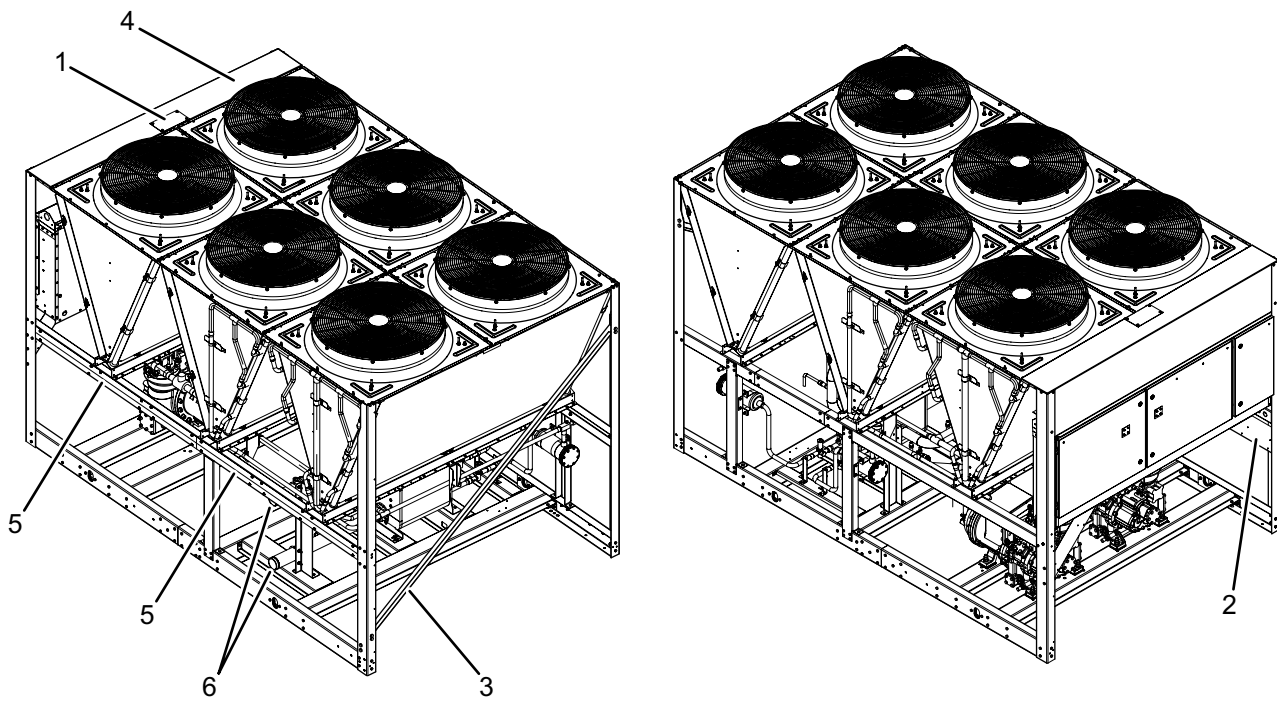
TABLE 2 - UNIT ASSEMBLY MODELS 0070 AND 0090

ITEM	MODEL	DESCRIPTION	PART NUMBER	SAP NUMBER	QUANTITY	FIGURE
1	0070, 0090	Cover Panel Low Ambient	075-74840-024	757359	1	1, 2
2	0070, 0090	Brace Front	075-75160-000	439527	2	1, 2
3	0070, 0090	Brace Rear Shipping	075-75955-003	561767	1	1, 2
4	0070	Tray Top	075-76182-000	535643	1	1
	0090		075-75964-000	439526	1	2
5	0070	Panel Cover Wire Way	092-40368-084	5246562	1	1
	0090		092-40368-053	5238743	2	2
6	0070	Assy, Extension Kit, 0070	392-40372-000	5246575	1	1
6a	0070	Coupling, Victaulic 3" Vented	023-26795-000	5188756	1	4
6b	0070	Plug Pipe 3/4 Square Head	023-04053-000	116164	1	4
6c	0070	Strainer Assy 1600µm DN80 / 3in Groove	029-26282-000	856022	1	4
6d	0070	Flexible Coupling Victaulic 3	023-23834-001	435867	3	4
6e	0070	Pipe, Extension Victaulic	092-41408-003	5246563	1	4
6f	0070	Post, Support Extension Kit	092-40368-037	5188757	1	4
6g	0070	Plug Pipe 1/2 Square Head	023-03822-000	48850	1	4
6h	0070	Well Thermo	026-36952-000	618433	2	4
6	0090	Extension Kit	392-40372-001	5238756	1	2
6a	0090	Coupling, Victaulic 3" Vented	023-26795-000	5188756	1	4
6b	0090	Plug Pipe 3/4 Square Head	023-04053-000	116164	1	4
6c	0090	Strainer Assy 1600Mm Dn80 / 3In Groove	029-26282-000	856022	1	4
6d	0090	Flexible Coupling Victaulic 3	023-23834-001	435867	3	4
6e	0090	Pipe, Extension Victaulic	092-41408-005	5238754	1	4
6f	0090	Post, Support Extension Kit	092-40368-037	5188757	1	4
6g	0090	Well Thermo	026-36952-000	618433	2	4
6h	0090	Plug Pipe 1/2 Square Head	023-03822-000	48850	1	4



LD22478

FIGURE 1 - UNIT ASSEMBLY 4 FAN



LD22475

FIGURE 2 - UNIT ASSEMBLY 6 FAN

TABLE 3 - UNIT ASSEMBLY MODELS 0110 AND 0130

ITEM	DESCRIPTION	PART NUMBER	SAP NUMBER	QUANTITY	FIGURE
1	Tray Top	075-75964-000	439526	1	3
2	Brace Rear	092-40368-021	5178032	2	3
3	Brace Front	075-75160-000	439527	2	3
4	Cover Panel Low Ambient	075-74840-024	757359	1	3
5	Brace Rear Shipping	075-75955-003	561767	1	3
6	Brace Rear	092-40368-022	5178033	2	3
9	Assy, Extension Kit	392-40372-002	5188772	1	4
9a	Coupling, Victaulic 3" Vented	023-26795-000	5188756	1	4
9b	Plug Pipe 3/4 Square Head	023-04053-000	116164	1	4
9c	Strainer Assy 1600Mm Dn80 / 3In Groove	029-26282-000	856022	1	4
9d	Flexible Coupling Victaulic 3	023-23834-001	435867	3	4
9e	Pipe, Extension Victaulic	092-41408-004	5188759	1	4
9f	Post, Support Extension Kit	092-40368-037	5188757	1	4
9g	Well Thermo	026-36952-000	618433	2	4
9h	Plug Pipe 1/2 Square Head	023-03822-000	48850	1	4

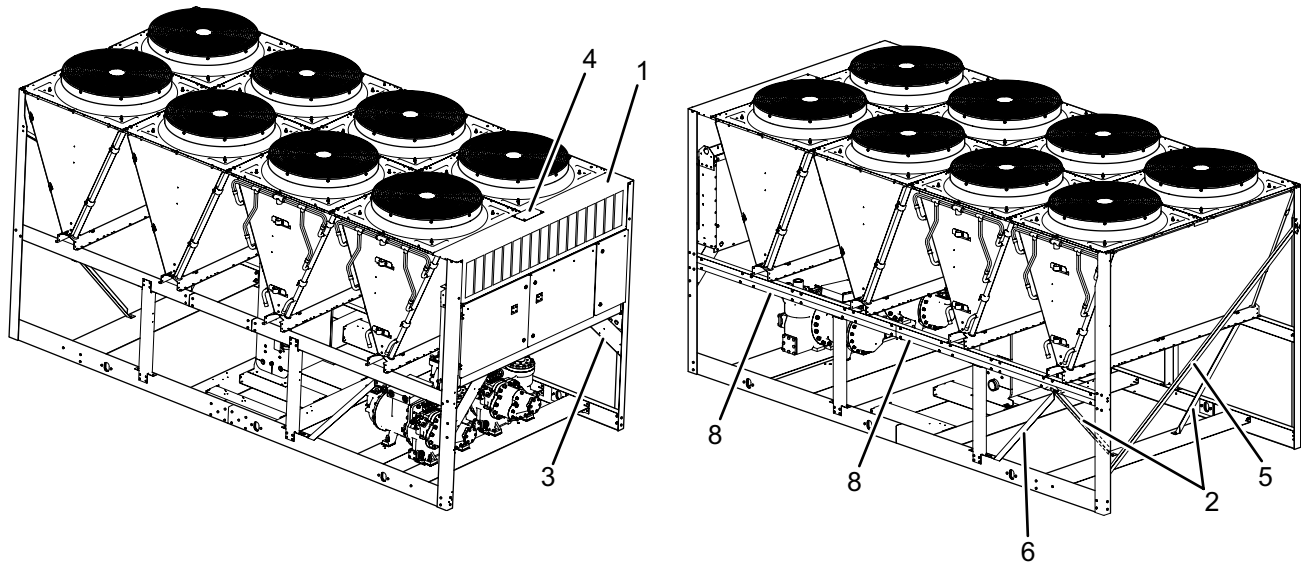


FIGURE 3 - ASSEMBLY EXTENSION KIT

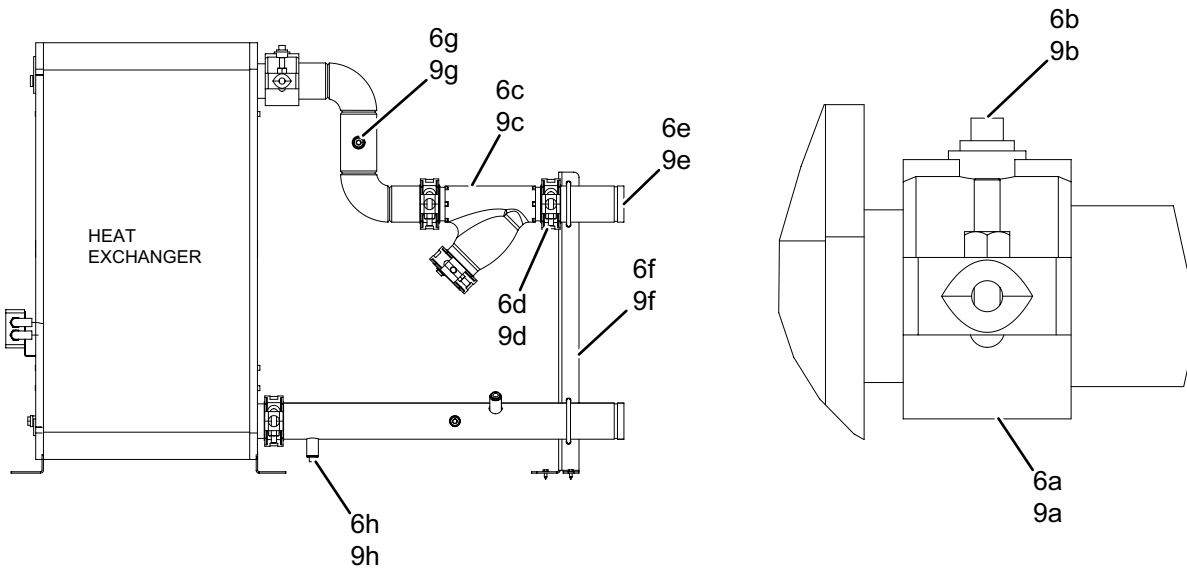


FIGURE 4 - ASSEMBLY EXTENSION KIT

LD22479

TABLE 4 - BASE ASSEMBLY MODEL 0070

ITEM	DESCRIPTION	PART NUMBER	SAP NUMBER	QUANTITY	FIGURE
2	Angle Base Front Corner	092-40368-000	5178014	1.000	5
3	Angle Base Front Corner	092-40368-001	5178015	1.000	5
4	Beam Vertical Support	092-40368-002	5178016	2.000	5
5	Angle Base Rear Corner	092-40368-003	5178017	1.000	5
6	Angle Base Rear Corner	092-40368-004	5178018	1.000	5
7	Beam Vertical Support	092-40368-016	5178028	1.000	5
8	Channel Coil Support	092-40368-019	5178030	1.000	5
9	Beam Plate HX Support 6 Fan	092-40368-041	5238731	1.000	5
10	Beam Plate HX Support 6 Fan	092-40368-050	5238740	1.000	5
11	Channel Base Support 6 Fan	092-40368-051	5238741	1.000	5
12	Channel Base Support 6 Fan	092-40368-052	5238742	1.000	5
13	Channel Splice	092-40368-066	5242308	2.000	5
14	Bracket, Support	092-40368-067	5242309	2.000	5
15	Bracket, Support	092-40368-068	5242310	2.000	5
16	Channel Coil Support	092-40368-075	5246554	1.000	5
17	Channel Base Support	092-40368-076	5246555	1.000	5
18	Channel Base Support	092-40368-077	5246556	1.000	5
19	Beam Cross Support	092-40368-079	5246557	2.000	5
20	Beam Cross Support	092-40368-080	5246558	1.000	5
21	Beam Cross Support	092-40368-081	5246559	1.000	5
22	Channel Coil Support	092-40368-082	5246560	1.000	5
23	Channel Coil Support	092-40368-083	5246561	1.000	5

TABLE 5 - BASE ASSEMBLY MODEL 0090

ITEM	DESCRIPTION	PART NUMBER	SAP NUMBER	QUANTITY	FIGURE
2	Channel Side Connection	092-07648-026	843993	2	5
3	Angle Base Front Corner	092-40368-000	5178014	1	5
4	Angle Base Front Corner	092-40368-001	5178015	1	5
5	Beam Vertical Support	092-40368-002	5178016	2	5
6	Angle Base Rear Corner	092-40368-003	5178017	1	5
7	Angle Base Rear Corner	092-40368-004	5178018	1	5
8	Beam Vertical Support	092-40368-016	5178028	1	5
9	Channel Coil Support	092-40368-019	5178030	1	5
10	Plate Splice	092-40368-023	5178034	3	5
11	Beam Cross Support	092-40368-040	5178049	2	5
12	Beam Plate HX Support 6 Fan	092-40368-041	5238731	1	5
13	Channel Base Support 6 Fan	092-40368-042	5238732	1	5
14	Channel Coil Support 6 Fan	092-40368-043	5238733	1	5
15	Channel Base Support 6 Fan	092-40368-044	5238734	1	5
16	Channel Coil Support 6 Fan	092-40368-045	5238735	1	5
17	Channel Base Support 6 Fan	092-40368-046	5238736	1	5
18	Channel Coil Support 6 Fan	092-40368-047	5238737	1	5
19	Channel Base Support 6 Fan	092-40368-048	5238738	1	5
20	Channel Coil Support 6 Fan	092-40368-049	5238739	1	5
21	Beam Plate HX Support 6 Fan	092-40368-050	5238740	1	5
22	Channel Base Support 6 Fan	092-40368-051	5238741	1	5
23	Channel Base Support 6 Fan	092-40368-052	5238742	1	5
24	Channel Base Support	092-40368-059	5238749	1	5
25	Channel Base Support	092-40368-060	5238750	1	5

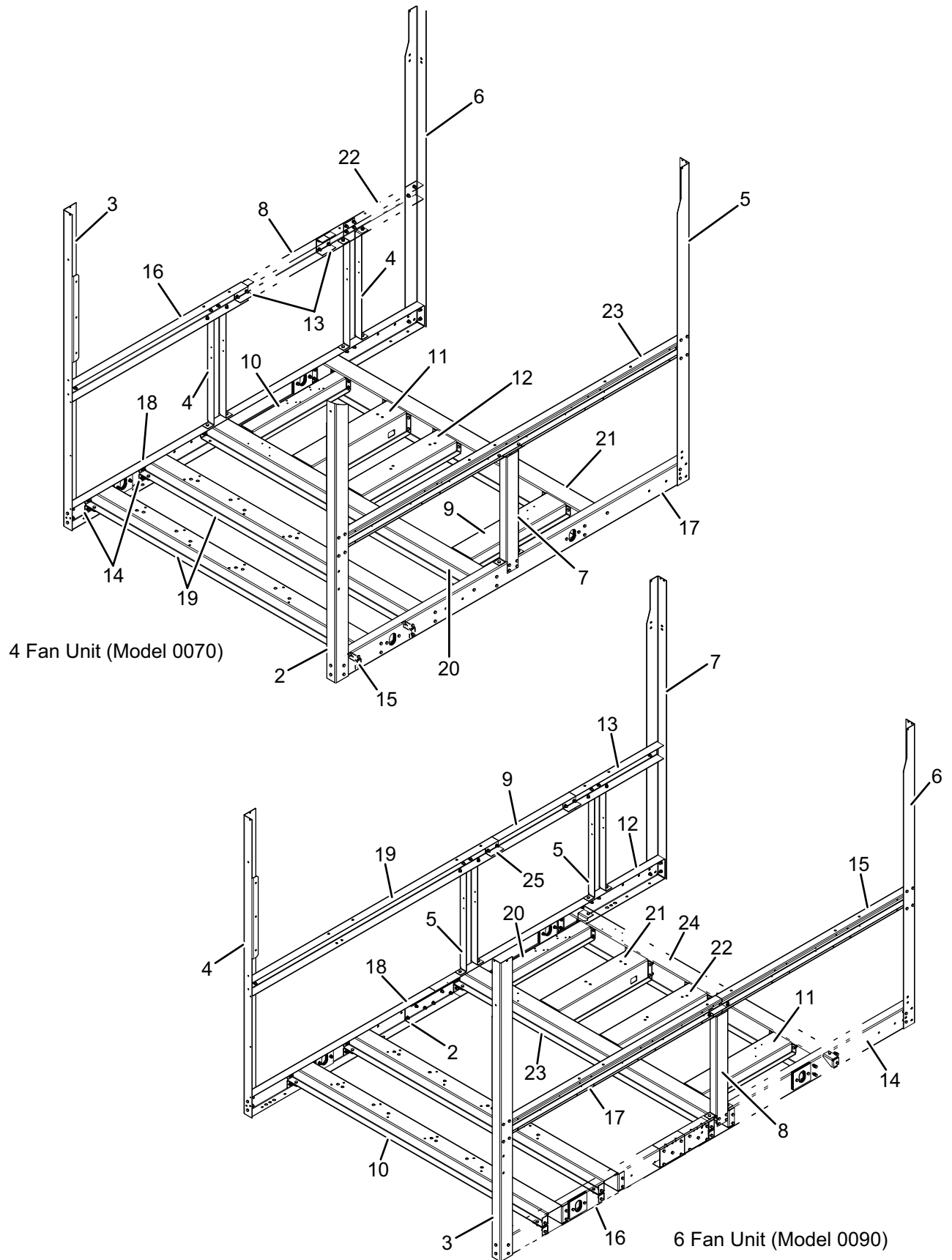
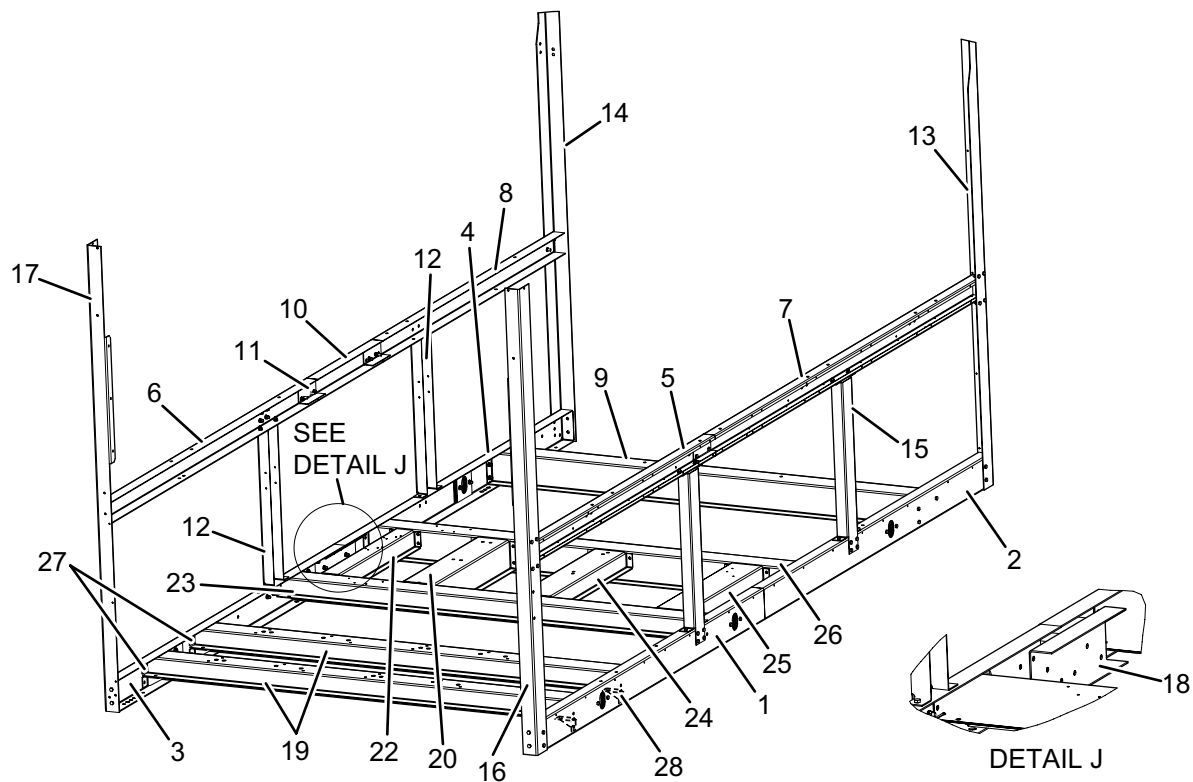


FIGURE 5 - BASE/FAME ASSEMBLY 4 AND 6 FAN UNITS

LD22481

TABLE 6 - BASE ASSEMBLY MODELS 0110 AND 0130

ITEM	MODEL	DESCRIPTION	PART NUMBER	SAP NUMBER	QUANTITY	FIGURE
1	0110, 0130	Channel Base Support	092-40368-011	5178025	1	6
2	0110, 0130	Channel Base Support	092-40368-010	5178024	1	6
3	0110, 0130	Channel Base Support	092-40368-012	5178026	1	6
4	0110, 0130	Channel Base Support	092-40368-009	5178023	1	6
5	0110, 0130	Channel Coil Support	092-40368-008	5178022	1	6
6	0110, 0130	Channel Coil Support	092-40368-007	5178021	1	6
7	0110, 0130	Channel Coil Support	092-40368-005	5178019	1	6
8	0110, 0130	Channel Coil Support	092-40368-006	5178020	1	6
9	0110, 0130	Beam Cross Support	092-40368-013	5178027	1	6
10	0110, 0130	Channel Coil Support	092-40368-019	5178030	1	6
11	0110, 0130	Channel Splice	092-40368-066	5242308	3	6
12	0110, 0130	Beam Vertical Support	092-40368-002	5178016	2	6
13	0110, 0130	Angle Base Rear Corner	092-40368-003	5178017	1	6
14	0110, 0130	Angle Base Rear Corner	092-40368-004	5178018	1	6
15	0110, 0130	Beam Vertical Support	092-40368-016	5178028	2	6
16	0110, 0130	Angle Base Front Corner	092-40368-000	5178014	1	6
17	0110, 0130	Angle Base Front Corner	092-40368-001	5178015	1	6
18	0110, 0130	Channel Side Connection	092-40368-074	5242313	2	6
19	0110, 0130	Beam Cross Support	092-40368-040	5178049	2	6
20	0110, 0130	Beam, Plate HX Support	092-40368-063	5242305	1	6
22	0110, 0130	Beam Plate HX Support	092-40368-029	5178040	1	6
23	0110	Beam, Cross Support	092-40368-061	5242303	1	6
	0130		092-40368-087	5336122	1	6
24	0110, 0130	Beam, Plate Hx Support	092-40368-064	5242306	1	6
25	0110, 0130	Beam, Extension Kit Support	092-40368-065	5242307	1	6
26	0110	Beam, Cross Support	092-40368-062	5242304	1	6
	0130		092-40368-088	5336123	1	6
27	0110, 0130	Bracket, Support	092-40368-067	5242309	2	6
28	0110, 0130	Bracket, Support	092-40368-068	5242310	2	6



LD22482

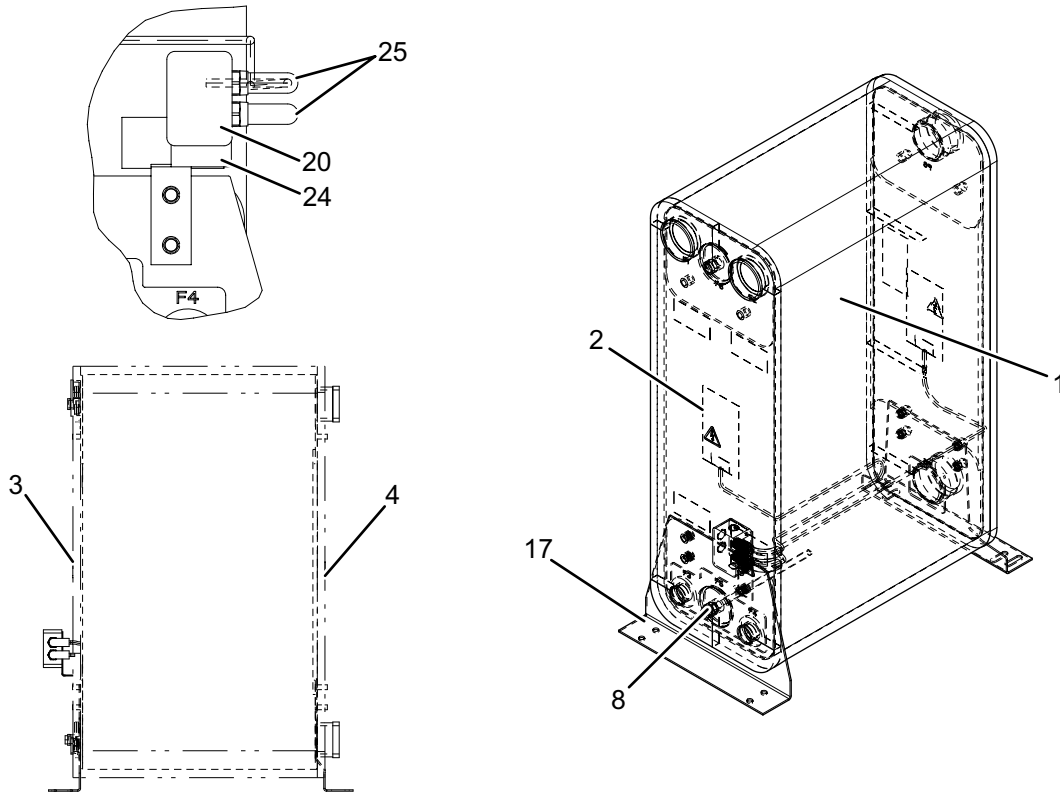
FIGURE 6 - BASE/FAME ASSEMBLY 8 FAN UNITS

TABLE 7 - COMPRESSOR ASSEMBLIES

MODELS	PIN 11 & 12=	DESCRIPTION	PART NUMBER	SAP NUMBER	QUANTITY
0070	28	Compr Screw Semi G30ASF-Z R-134A	015-05925-101	5246501	2
	40, 42		015-05925-103	5246503	
	50		015-05925-102	5246502	
0090	28	Compr Screw Semi G40ASF-Z R-134A	015-05926-101	5238701	2
	40, 42		015-05926-103	5238703	
	50		015-05926-102	5238702	
0110	28	Compr Screw Semi G50ASF-Z R-134A	015-05927-101	5242300	2
	40, 42		015-05927-103	5177970	
	50		015-05927-102	5191077	
0130	28	Compr Screw Semi G60A1SF-Z R-134A	015-05928-101	5335788	2
	40, 42		015-05928-103	5336120	
	50		015-05928-102	5335789	
All	All	Compressor Load Capillary	023-26902-000	5255046	1
All	All	Compressor Unload Capillary	023-26902-000	5255046	1
All	All	Compressor Oil, 18 Liters	011-01206-000	5255045	1
All	All	Compressor Oil Strainer	026-50029-000	5255049	1
All	All	Compressor Suction Strainer	026-50045-000	5255910	1
All	All	Compressor Gaskets - Discharge Flange	028-17354-000	5255911	1
All	All	Compressor Gaskets - Check Valve	028-17355-000	5255912	1
All	All	Compressor Gaskets - Suction Strainer	028-17356-000	5255913	1
All	All	Compressor Gaskets - Suction Flange	028-17357-000	5255914	1
All	All	Compressor Gaskets - Oil Strainer	028-17358-000	5255915	1
All	All	Compressor Gaskets - Oil Heater	028-17359-000	5255916	1
All	All	Compressor Solenoid Valve	025-48645-000	5255047	1
All	All	Compressor Oil Heater	025-48646-000	5255048	1
All	All	Compressor Oil Strainer O-Ring	028-17360-000	5255917	1

TABLE 8 - COOLER (PIN 39=X OR D)

ITEM	DESCRIPTION	PART NUMBER	SAP NUMBER	QUANTITY	FIGURE
1	Htexch P&F Evaporator Psig 333 / 333	026-50638-134	5246504	1	7
2	Strip Heater 70W 120V	025-45788-000	926437	2	7
3	Insultn Evap Fr 1St LYR	092-07709-007	5177980	1	7
4	Insultn Evap Back 1St LYR	092-07709-008	5177981	1	7
8	Well Thermo	026-32328-001	740780	2	7
14	Bracket Heat Exch Swep	092-40368-034	5178044	1	7
17	Brkt Rear Ht Ex Swep	092-40368-069	5242311	1	7
20	Encl Elec H=94.00Mm W=65.00Mm D=57.00Mm	025-45746-000	911526	1	7
24	Brkt Heat Exch Junc Box	092-40368-073	5242312	1	7
25	Fitting Liquid Tight 1/2 Npt	025-45840-000	926438	2	7



LD22482

FIGURE 7 - HEAT EXCHANGE ASSEMBLY

TABLE 9 - CONDENSER COILS

MODELS	PIN 11 & 12=	DESCRIPTION	PART NUMBER	SAP NUMBER	QUANTITY
0070, 0090	X	Microchannel Coil Al Coated	392-40362-000	5178064	2
0110, 0130					4
0090	X	Microchannel Coil Al Coated	392-40362-001	5178065	1
0070, 0090	P	Microchannel Coil Al Coated	392-40362-010	5178066	2
0110, 0130					4
0090	P	Microchannel Coil Post Coated	392-40362-011	5178067	1
0070, 0090	T	Microchannel Coil Al Coated	392-40362-020	5307020	2
0110, 0130					4
0090	T	Microchannel Coil Post Coated	392-40362-021	5307021	1

TABLE 10 - CONDENSER COILS 392-40362-000 PIN 45=X

ITEM	DESCRIPTION	PART NUMBER	SAP NUMBER	QUANTITY	FIGURE
1	Support Coil Corsair Microchannel	092-40368-031	5178042	1	8
2	Coil Microchannel Corsair	026-46798-000	741348	2	8
3	Vee Panel Corsair Microchannel	092-02970-000	767917	1	8
4	Vee Panel Corsair Microchannel	075-89863-003	548823	1	8
5	Vee Panel Corsair Microchannel	075-89863-002	548822	1	8
6	Clamp Header Corsair	075-89900-000	569830	8	8
8	Mount Coil Y-Chassis	028-15820-000	394353	8	8
9	Header Bushing Microchannel Co	028-15821-001	742158	2	8
14	Support Pipe Corsair	075-77929-018	758160	2	8
15	Clamp Tube 1-5/8	066-88928-000	372793	2	8
16	Tee Sld 1-3/8 X 1-3/8 X 1-5/8 Cu	023-16237-000	371737	1	8
17	Tube Discharge Coil Module	075-79530-015	758495	2	8
28	Bracket Coil Corsair	075-89914-001	569831	2	8
34	Bracket Support Vee Panel Cors	075-89904-000	569832	3	8
36	Tube Discharge Coil Corsair	075-79530-018	758498	2	8
37	Tube Discharge Coil Corsair	075-79530-019	758499	2	8
38	Tee Sld C X C X C 1-1/8 X	023-00247-000	371703	2	8

TABLE 11 - CONDENSER COILS 392-40362-001 PIN 45=X

ITEM	DESCRIPTION	PART NUMBER	SAP NUMBER	QUANTITY	FIGURE
1	Support Coil Microchannel	092-40368-033	5178043	1	8
2	Coil Microchannel Corsair	026-46798-000	741348	2	8
3	Vee Panel Corsair Microchannel	092-02970-001	696085	2	8
5	Vee Panel Corsair Microchannel	075-89863-002	548822	1	8
6	Clamp Header Corsair	075-89900-000	569830	8	8
8	Mount Coil Y-Chassis	028-15820-000	394353	8	8
9	Header Bushing Microchannel Co	028-15821-001	742158	2	8
14	Support Pipe Condenser	092-40368-086	5255922	2	8
15	Clamp Tube 1-1/8 Id	075-50979-118	556314	4	8
17	Tube Discharge Coil Module Cor	075-79530-016	758496	2	8
28	Bracket Coil Corsair	075-89914-001	569831	2	8
34	Bracket Support Vee Panel Cors	075-89904-000	569832	3	8
35	Support Pipe Condenser	092-40368-085	5255921	2	8
36	Tube Discharge Coil Corsair	092-40367-076	5255918	2	8
37	Tube Discharge Coil Corsair	075-79530-019	758499	2	8
38	Tee Sld C X C X C 1-1/8 X	023-00247-000	371703	2	8

TABLE 12 - CONDENSER COILS 392-40362-010 PIN 45=P

ITEM	DESCRIPTION	PART NUMBER	SAP NUMBER	QUANTITY	FIGURE
1	Support Coil Corsair Microchannel	092-40368-031	5178042	1	8
2	Post-Coated Dipped Coils	326-46798-000	696081	2	8
3	Vee Panel Corsair Microchannel	092-02970-000	767917	1	8
4	Vee Panel Corsair Microchannel	075-89863-003	548823	1	8
5	Vee Panel Corsair Microchannel	075-89863-002	548822	1	8
6	Clamp Header Corsair	075-89900-000	569830	8	8
8	Mount Coil Y-Chassis	028-15820-000	394353	8	8
9	Header Bushing Microchannel Co	028-15821-001	742158	2	8
14	Support Pipe Corsair	075-77929-018	758160	2	8
15	Clamp Tube 1-5/8	066-88928-000	372793	2	8
16	Tee Sld 1-3/8 X 1-3/8 X 1-5/8 Cu	023-16237-000	371737	1	8
17	Tube Discharge Coil Module	075-79530-015	758495	2	8
28	Bracket Coil Corsair	075-89914-001	569831	2	8
34	Bracket Support Vee Panel Cors	075-89904-000	569832	3	8
36	Tube Discharge Coil Corsair	075-79530-018	758498	2	8
37	Tube Dischanrge Coil Corsair	075-79530-019	758499	2	8
38	Tee Sld C X C X C 1-1/8 X	023-00247-000	371703	2	8

TABLE 13 - CONDENSER COILS 392-40362-011 MODEL 0090 PIN 45=P

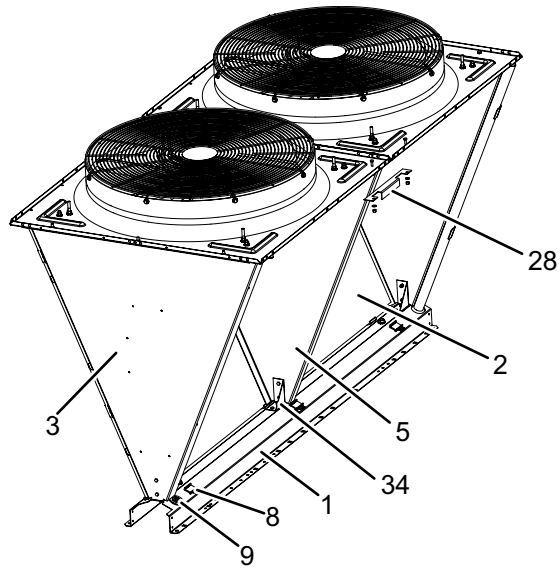
ITEM	DESCRIPTION	PART NUMBER	SAP NUMBER	QUANTITY	FIGURE
1	Support Coil Microchannel	092-40368-033	5178043	1	8
2	Post-Coated Dipped Coils	326-46798-000	696081	2	8
3	Vee Panel Corsair Microchannel	092-02970-001	696085	2	8
5	Vee Panel Corsair Microchannel	075-89863-002	548822	1	8
6	Clamp Header Corsair	075-89900-000	569830	8	8
8	Mount Coil Y-Chassis	028-15820-000	394353	8	8
9	Header Bushing Microchannel Co	028-15821-001	742158	2	8
14	Bracket Support Corsair Microc	075-89865-000	760070	2	8
15	Clamp Tube 1-3/8 Id	075-50979-138	556338	2	8
17	Tube Discharge Coil Module Cor	075-79530-016	758496	2	8
19	Tube Discharge Coil Module	075-79530-017	758497	2	8
28	Bracket Coil Corsair	075-89914-001	569831	2	8
34	Bracket Support Vee Panel Cors	075-89904-000	569832	3	8
35	Support Pipe Corsair	075-77929-018	758160	2	8
36	Tube Discharge Coil Corsair	075-79530-020	758500	2	8
37	Tube Dischanrge Coil Corsair	075-79530-019	758499	2	8
38	Tee Sld C X C X C 1-1/8 X	023-00247-000	371703	2	8

TABLE 14 - CONDENSER COILS 392-40362-020 PIN 45=X

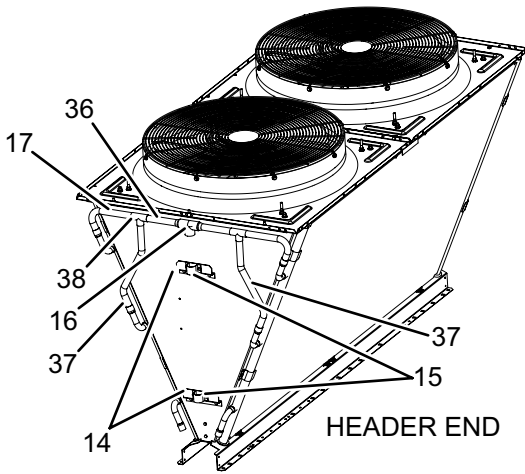
ITEM	DESCRIPTION	PART NUMBER	SAP NUMBER	QUANTITY	FIGURE
1	Support Coil Corsair Microchannel	092-40368-031	5178042	1	8
2	Post-Coated Microchannel Coils	326-46798-001	5292397	2	8
3	Vee Panel Corsair Microchannel	092-02970-000	767917	1	8
4	Vee Panel Corsair Microchannel	075-89863-003	548823	1	8
5	Vee Panel Corsair Microchannel	075-89863-002	548822	1	8
6	Clamp Header Corsair	075-89900-000	569830	8	8
8	Mount Coil Y-Chassis	028-15820-000	394353	8	8
9	Header Bushing Microchannel Co	028-15821-001	742158	2	8
14	Support Pipe Corsair	075-77929-018	758160	2	8
15	Clamp Tube 1-5/8	066-88928-000	372793	2	8
16	Tee Sld 1-3/8 X 1-3/8 X 1-5/8 Cu	023-16237-000	371737	1	8
17	Tube Discharge Coil Module	075-79530-015	758495	2	8
28	Bracket Coil Corsair	075-89914-001	569831	2	8
34	Bracket Support Vee Panel Cors	075-89904-000	569832	3	8
36	Tube Discharge Coil Corsair	075-79530-018	758498	2	8
37	Tube Dischanrge Coil Corsair	075-79530-019	758499	2	8
38	Tee Sld C X C X C 1-1/8 X	023-00247-000	371703	2	8

TABLE 15 - CONDENSER COILS 392-40362-021 PIN 45=P

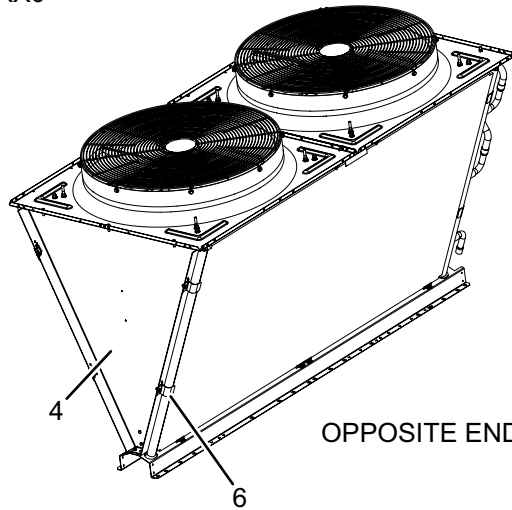
ITEM	DESCRIPTION	PART NUMBER	SAP NUMBER	QUANTITY	FIGURE
1	Support Coil Microchannel	092-40368-033	5178043	1	8
2	Post-Coated Microchannel Coils	326-46798-001	5292397	2	8
3	Vee Panel Corsair Microchannel	092-02970-001	696085	2	8
5	Vee Panel Corsair Microchannel	075-89863-002	548822	1	8
6	Clamp Header Corsair	075-89900-000	569830	8	8
8	Mount Coil Y-Chassis	028-15820-000	394353	8	8
9	Header Bushing Microchannel Co	028-15821-001	742158	2	8
14	Bracket Support Corsair Microc	075-89865-000	760070	2	8
15	Clamp Tube 1-3/8 Id	075-50979-138	556338	2	8
17	Tube Discharge Coil Module Cor	075-79530-016	758496	2	8
19	Tube Discharge Coil Module	075-79530-017	758497	2	8
28	Bracket Coil Corsair	075-89914-001	569831	2	8
34	Bracket Support Vee Panel Cors	075-89904-000	569832	3	8
35	Support Pipe Corsair	075-77929-018	758160	2	8
36	Tube Discharge Coil Corsair	075-79530-020	758500	2	8
37	Tube Dischanrge Coil Corsair	075-79530-019	758499	2	8
38	Tee Sld C X C X C 1-1/8 X	023-00247-000	371703	2	8



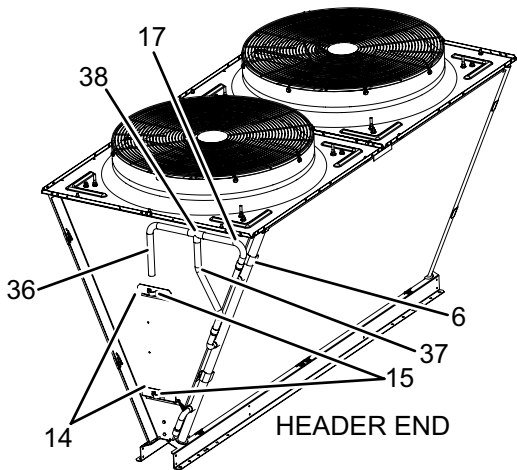
392-40362-XX0



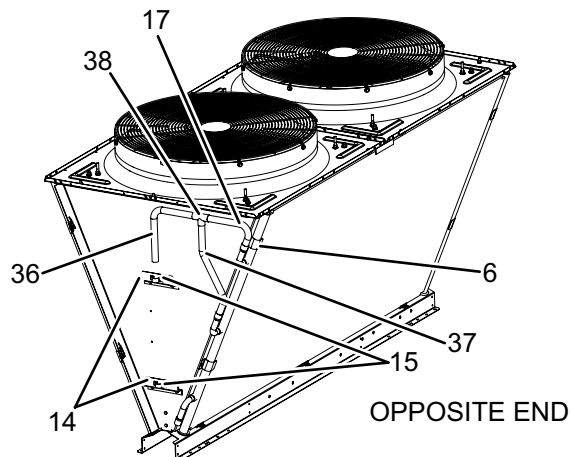
HEADER END



OPPOSITE END



HEADER END



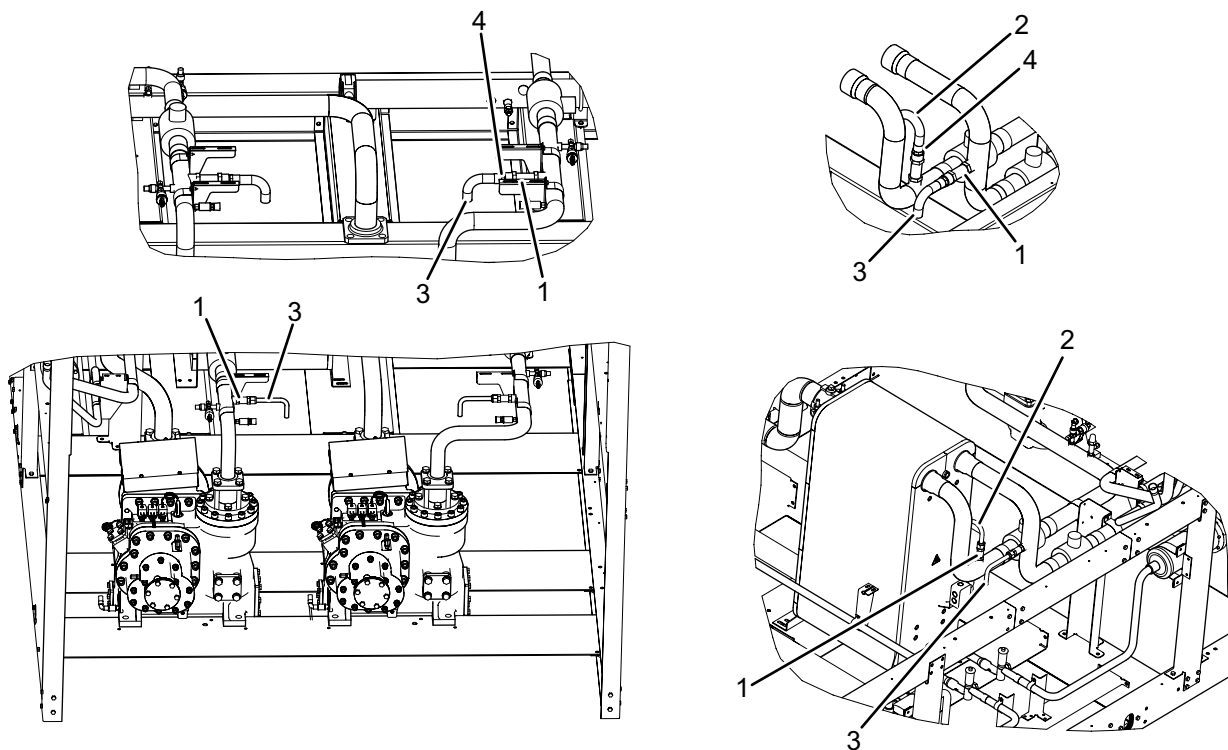
OPPOSITE END

392-40362-XX1

FIGURE 8 - CONDENSER COILS

TABLE 16 - RELIEF SAFETY DEVICES

ITEM	MODEL	PIN 31=	DESCRIPTION	PART NUMBER	SAP NUMBER	QUANTITY	FIGURE
1	0070, 0090, 0110	X	Valve Relief 292.0 Psi 1/2In X 5/8In	022-13079-000	5177974	2	9
	0070, 0090, 0110	S				4	9
	0130	X	Valve Relief 292.0 Psi 3/4In X 1In Thd	022-13079-001	5369976	2	9
	0130	S				4	9
2	0070, 0090, 0110	S	Tube, Relief Valve Dxst	375-30919-000	776577	1	9
	0130		Pipe Relief Valve Dxst	075-56075-000	753280		9
3	0070, 0090, 0110	X	Tube, Relief Valve	392-40364-001	5293946	2	9
	0070, 0090, 0110	S				3	9
	0130	X	Pipe Relief Valve	075-61269-000	754610	2	9
	0130	S				3	9
4	0130	X	Adpt Sld C X M 1-1/8 X 1	023-00129-000	146830	2	9
	0130	S	Adpt Sld C X M 1-1/8 X 1	023-00129-000	146830	4	9



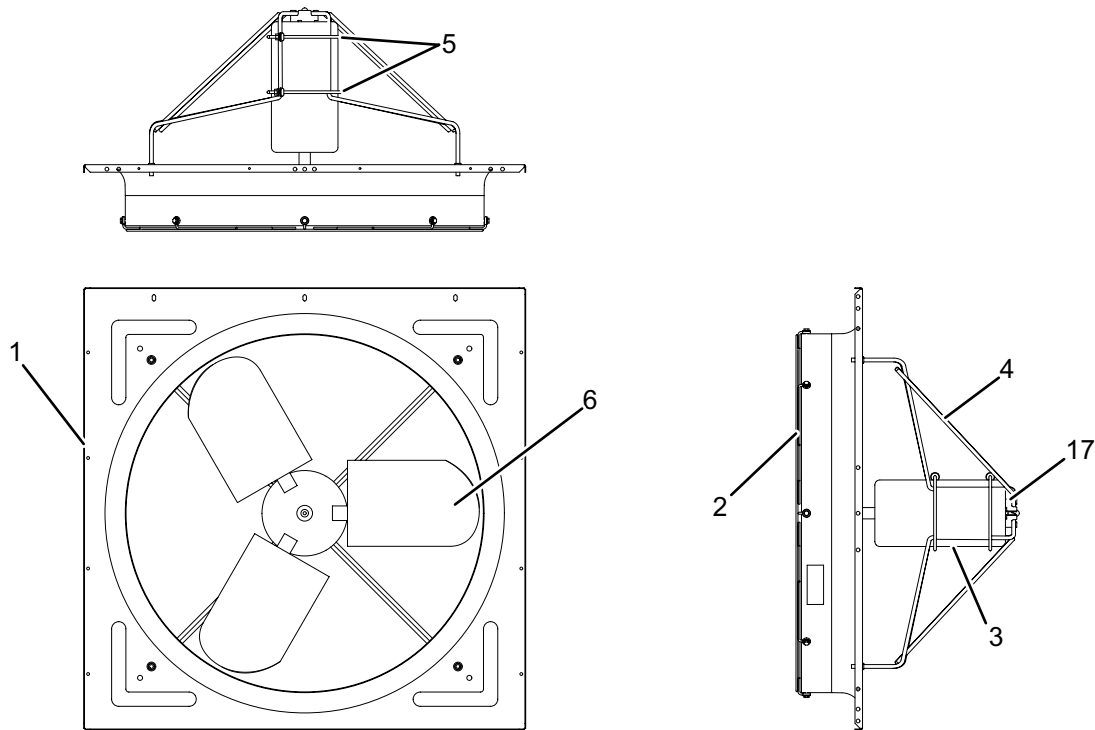
LD22485

FIGURE 9 - PRESSURE RELIEF VALVE

TABLE 17 - FAN DECK ASSEMBLY (PIN 52=F)

ITEM	PINS 11 & 12=	DESCRIPTION	PART NUMBER	SAP NUMBER	QUANTITY	FIGURE
1	28, 40, 42, 50	Orifice Flanged	026-45682-000	533482	1	10
2	28, 40, 42, 50	Guard, Fan	026-46008-000	685987	1	10
3	28	Motor, Fan Teao 2 Hp 6 Pole	024-36873-106	736401	1	10
	40, 42		024-36873-104	736400	1	10
	50		024-36873-107	736402	1	10
4	28, 40, 42, 50	Support Fan Motor	026-46735-000	688625	1	10
5	28, 40, 42, 50	Support, Ring	026-36367-000	440496	2	10
6	28	Impeller Axial Paddle Dia=900Mm 26° Grp	026-41594-000	741043	1	10
	50	Impeller Axial Paddle Dia=900Mm 30° Grp	026-41943-000	440497	1	10
13	28	Ground Wire	575-54455-214	562542	1	*
17	28, 40, 42, 50	Hub Square	026-41939-005	446230	1	10

NOTE: Items with an * are NOT represented.

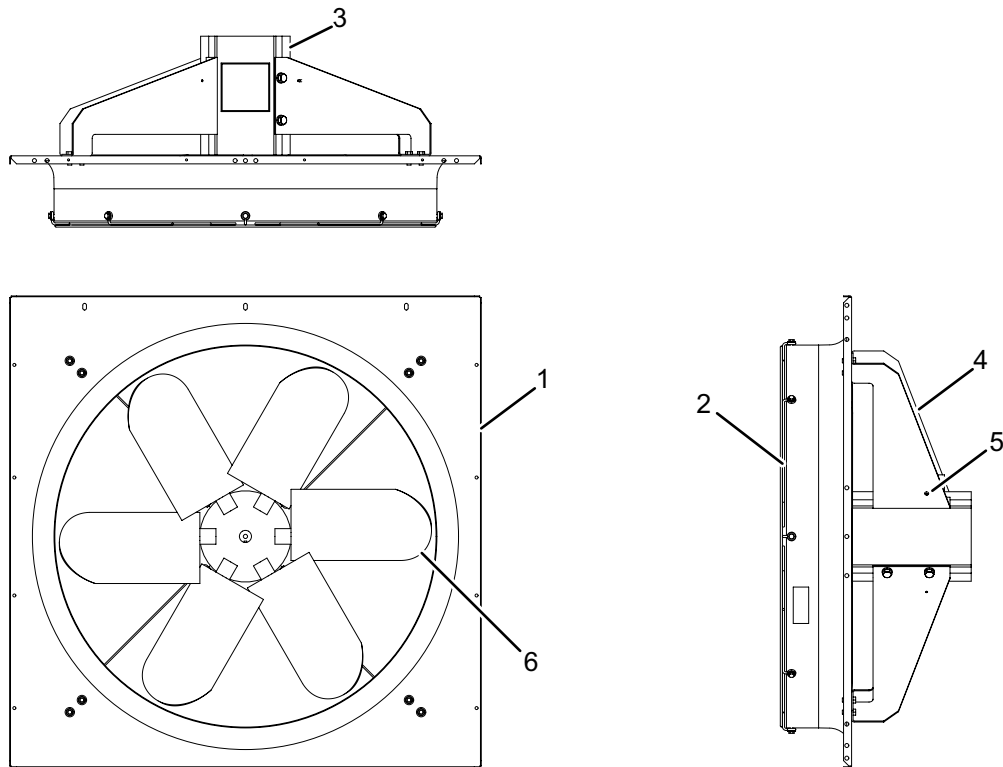


LD22743

FIGURE 10 - FAN DECK ASSEMBLY

TABLE 18 - FAN DECK ASSEMBLY (PIN 52=G)

ITEM	PINS 11 & 12=	DESCRIPTION	PART NUMBER	SAP NUMBER	QUANTITY	FIGURE
1	40, 42, 50	Orifice Flanged	026-45682-000	533482	1	11
2	40, 42, 50	Guard, Fan	026-46008-000	685987	1	11
3	40, 42	Motor Fan Teao 3 Hp	024-36874-002	736404	1	11
	50	Motor, Fan Teao 3 Hp 6 Pole	024-36874-004	635527	1	11
4	40, 42, 50	Bracket Fan Support	075-67014-000	635528	4	11
5	40, 42, 50	Screw Tap Thd Cut Ty F	021-16201-000	729922	1	11
6	40, 42	Impeller Axial Paddle Dia=900Mm 28° Grp	026-45538-000	706270	1	11
	50	Impeller Axial Paddle Dia=900Mm 35° Grp	026-46066-000	635529	1	11
	50	Impeller Axial Paddle Dia=900Mm 30° Grp	026-41943-000	440497	1	11



LD22744

FIGURE 11 - FAN DECK ASSEMBLY

TABLE 19 - SYSTEM WIRING

ITEM	DESCRIPTION	PART NUMBER	SAP NUMBER	QUANTITY	FIGURE
3	Conduit 1-HPCO	592-41065-027	5184519	1	12
	Conduit 3/8" Conduit	025-31302-000	618155	4.5 Ft.	
	Connector (End "X") 3/8" Straight Connector	025-31309-000	117547	1	
	High Pressure Cut-Out Switch (End "Y")	025-39956-201	5214535	1	
4	Conduit 2-HPCO	592-41065-028	5184520	1	12
	Conduit 3/8" Conduit	025-31302-000	618155	3 Ft.	
	Connector (End "X") 3/8" Straight Connector	025-31309-000	117547	1	
	High Pressure Cut-Out Switch (End "Y")	025-39956-201	5214535	1	
6	Kit, Cable	392-41066-001	5184490	1	12
7	Sensor Temp Ntc -40 To 110°C	025-47673-000	5167566	2	12, 13
8	Comp Heat Conductive 4 Oz	013-00898-000	616572	1	13
9	Sensor Temp Ntc -40 To 110°C	025-47688-000	5167777	1	13
10	Connr, Conduit Flex Angle	025-31318-000	394338	1	12
16	Sensor Flow 1/4" Ntp Conn.	025-43553-001	5324328	1	14
17	Flow Switch Cable	024-38119-000	852692	1	14
18	Wiring Harness Sys #1	575-72382-314	808353	1	Table 20
	3 Conductor Shielded Wire	025-30463-003	738503	.75 Ft.	
	3 Conductor Shielded Wire	025-30463-003	738503	.75 Ft.	
	Plug, 12 Position	025-28384-000	737920	1	
	Cap, 4 Position	025-32962-000	738788	1	
	Cap, 3 Position	025-39838-000	739721	1	
19	Hsg Connr Plug Mini 9 Ckt Nat	025-28383-000	737917	3	Table 20
20	Pressure Meas To 8.618Bar 0.5-4.5V Dc=5V	025-29583-002	5121975	2	13
21	Transducer Pressure Sm Tonnage	025-29139-004	520036	2	12
27	Plate Elec Hydronic Kit	075-75761-001	757697	1	14
35	Wiring Harness Sys #2	575-72382-315	808354	1	Table 20
	3 Conductor Shielded Wire	025-30463-003	738503	.75 Ft.	
	3 Conductor Shielded Wire	025-30463-003	738503	.75 Ft.	
	Plug, 12 Position	025-28384-000	737920	1	
	Cap, 4 Position	025-32962-000	738788	1	
	Cap, 3 Position	025-39838-000	739721	1	
36	Hsg Connr Plug Mini 4 Ckt Nat	025-28959-000	738246	2	16
41	Harness Heat Exch Heaters	592-41065-045	5214536	1	15
	3/8" Conduit	025-31302-000	618155	16.67 Ft.	
	Connector (End "X") 3/8" 90 deg Angle Connector (Blk)	025-31315-000	618164	1	
	Connector (End "Y") 3/8" 90 deg Angle Connector (Blk)	025-31315-000	618164	1	
42	Insr Elec	025-10371-000	737257	2	*
43	Ferr Splice Cap	025-10372-000	737258	2	*
44	Sensor Temp 50000 Ohms	025-29105-000	117449	2	13
45	Sensor Temp Ntc -40 To 110°C	025-47671-000	5167564	3	13
100	Wiring Harness 3 Cond Sensor	592-41065-031	5184523	1	13
	3 Cond. Shield. Wire	025-30463-003	738503	150 In.	
	Connector - Econoseal, Tyco P/N: 173091-2	025-28954-000	62725	1	
	Rubber Collar, Tyco P/N: 172888-2	025-28957-000	117435	3	

TABLE 19 - SYSTEM WIRING (CONT'D)

ITEM	DESCRIPTION	PART NUMBER	SAP NUMBER	QUANTITY	FIGURE
101	Wiring Harness 3 Cond Sensor	592-41065-032	5184524	1	13
	3 Cond. Shield. Wire	025-30463-003	738503	137 In.	
	Connector - Econoseal, Tyco P/N: 173091-2	025-28954-000	62725	1	
	Rubber Collar, Tyco P/N: 172888-2	025-28957-000	117435	3	
102	Wiring Harness 3 Cond Sensor	592-41065-029	5184521	1	12, 16 Table 21
	3 Cond. Shield. Wire	025-30463-003	738503	100 In.	
	Connector - Econoseal, Tyco P/N: 173091-2	025-28954-000	62725	1	
	Rubber Collar, Tyco P/N: 172888-2	025-28957-000	117435	3	
103	Wiring Harness 3 Cond Sensor	592-41065-030	5184522	1	12, 16
	3 Cond. Shield. Wire	025-30463-003	738503	60 In.	
	Connector - Econoseal, Tyco P/N: 173091-2	025-28954-000	62725	1	
	Rubber Collar, Tyco P/N: 172888-2	025-28957-000	117435	3	
104	Wiring Harness 2 Cond Sensor	592-41065-033	5184525	1	13
	2 Cond. Shield. Wire	025-30463-002	738502	70 In.	
	Plug - Connector	025-28951-000	62724	1	
	Collar Rubber, Black, 070	025-28950-000	65212	3	
105	Wiring Harness 2 Cond Sensor	592-41065-034	5184526	1	13
	2 Cond. Shield. Wire	025-30463-002	738502	165 In.	
	Plug - Connector	025-28951-000	62724	1	
	Collar Rubber, Black, 070	025-28950-000	65212	3	
106	Wiring Harness 2 Cond Sensor	592-41065-035	5184527	1	13
	2 Cond. Shield. Wire	025-30463-002	738502	150 In.	
	Plug - Connector	025-28951-000	62724	1	
	Collar Rubber, Black, 070	025-28950-000	65212	3	
107	Wiring Harness EEV Sys 1	592-41065-036	5184528	1	13
	4 Conductor Shielded Wire	025-32940-000	738777	200 In.	
	Connector M12 - 1838274-Te	025-44341-279	859025	1	
108	Wiring Harness EEV Sys 2	592-41065-037	5184529	1	13
	4 Conductor Shielded Wire	025-32940-000	738777	200 In.	
	Connector M12 - 1838274-Te	025-44341-279	859025	1	
109	Wiring Harness EEV Sen Sys 1	592-41065-038	5184530	1	13
	Wire 2-Condtr W/Foil Shield	025-30463-002	738502	160 In.	
	Connector Plug Hsg, 2 Position	025-28951-000	62724	1	
	Collar Rubber, Black, 070	025-28950-000	65212	2	
	Hsg Connr Plug Mini-Nat	025-28383-000	737917	1	
110	Wiring Harness EEV Sen Sys 2	592-41065-039	5184531	1	13
	Wire 2-Condtr W/Foil Shield	025-30463-002	738502	160 In.	
	Connector Plug Hsg, 2 Position	025-28951-000	62724	1	
	Collar Rubber, Black, 070	025-28950-000	65212	2	
	Hsg Connr Plug Mini-Nat	025-28383-000	737917	1	
111	Wiring Harness 2 Cond Sensor	592-41065-040	5184532	1	13
	2 Cond. Shield. Wire	025-30463-002	738502	200 In.	
	Plug - Connector	025-28951-000	62724	1	
	Collar Rubber, Black, 070	025-28950-000	65212	1	

TABLE 19 - SYSTEM WIRING (CONT'D)

ITEM	DESCRIPTION	PART NUMBER	SAP NUMBER	QUANTITY	FIGURE
112	Wiring Harness Temp Sen Sys 1	592-41065-042	5184534	1	13
	Wire 2-Condtr W/Foil Shield	025-30463-002	738502	124 In.	
	Connector Plug Hsg, 2 Position	025-28951-000	62724	1	
	Collar Rubber, Black	025-28950-000	65212	2	
	Hsg Connr Plug Mini-Nat	025-28383-000	737917	1	
113	Wiring Harness Temp Sen Sys 2	592-41065-043	5184535	1	13
	Wire 2-Condtr W/Foil Shield	025-30463-002	738502	60 In.	
	Connector Plug Hsg, 2 Position	025-28951-000	62724	1	
	Collar Rubber, Black	025-28950-000	65212	2	
	Hsg Connr Plug Mini-Nat	025-28383-000	737917	1	

NOTE: Items with an * are NOT represented.

TABLE 20 - SENSOR WIRING PLUG DETAIL




PLUG DETAIL	BOARD PLUG NO.	CABLE ITEM NO.	CABLE CODE	PLUG PIN NO.	WIRE COLOR	FUNCTION	LEGEND				
 <p>**18</p>	MICRO P7	100	4	5	RED	Sys. #1 Suction Press.	1-BSP				
				10	WHT						
				9	BLK						
				1	DRAIN						
		105	1	106	3	6	RED	The Disch. Press. & Low Ambient Options Share These Pins			
						11	WHT				
						7	BLK				
 <p>**19</p>	MICRO P6	104	2	2	DRAIN	Leaving Water Temp.	BLCLT				
				106	3			8	BLK	Enter. Water Temp.	BECLT
								5	RED		
		105	1	104	2	9	BLK	Outside Air Temp.	BAMB		
						6	RED				
						3	DRAIN				
 <p>**35</p>	MICRO P9	101	5	5	RED	Sys. #2 Suction Temp	2-BSP				
				10	WHT						
				9	BLK						
				1	DRAIN						
		101				6	RED	The Disch. Press. & Low Ambient Options Share These Pins			
						11	WHT				
						7	BLK				
101				2	DRAIN						

TABLE 20 - SENSOR WIRING PLUG DETAIL (CONT'D)





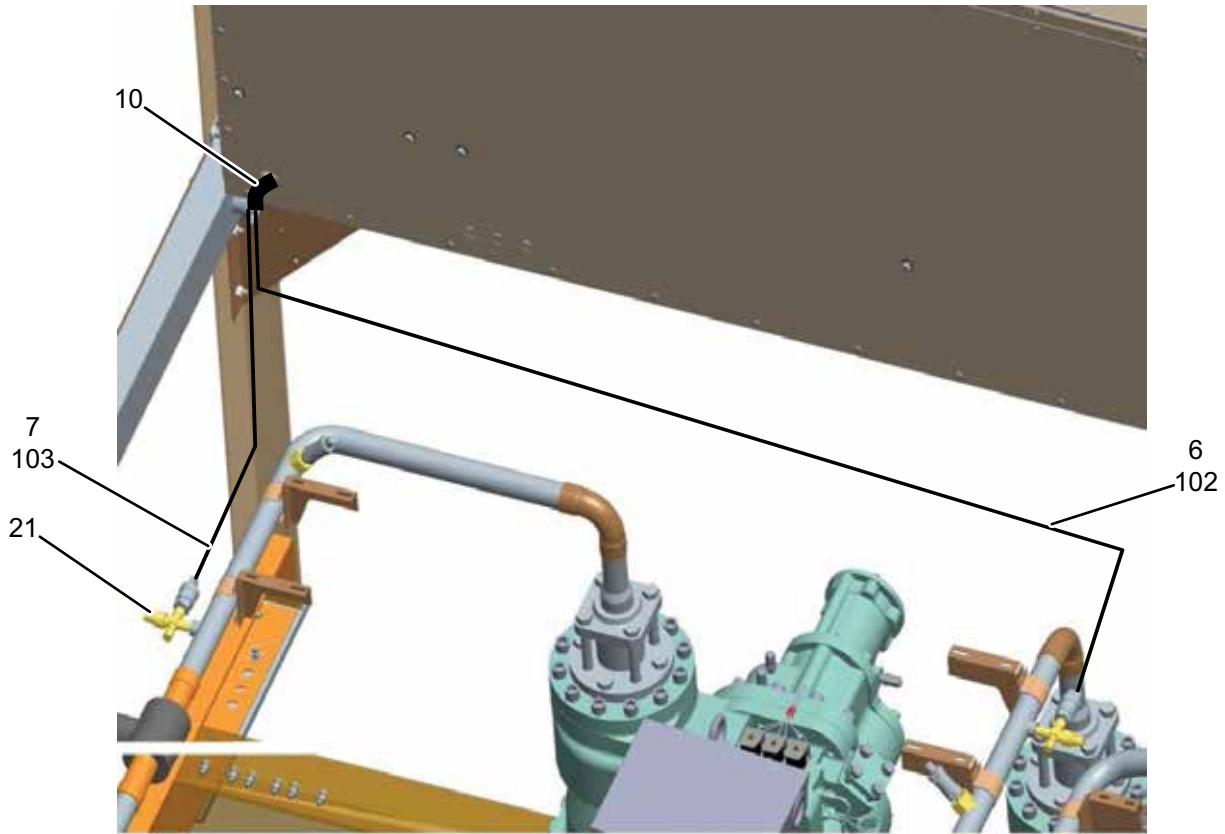
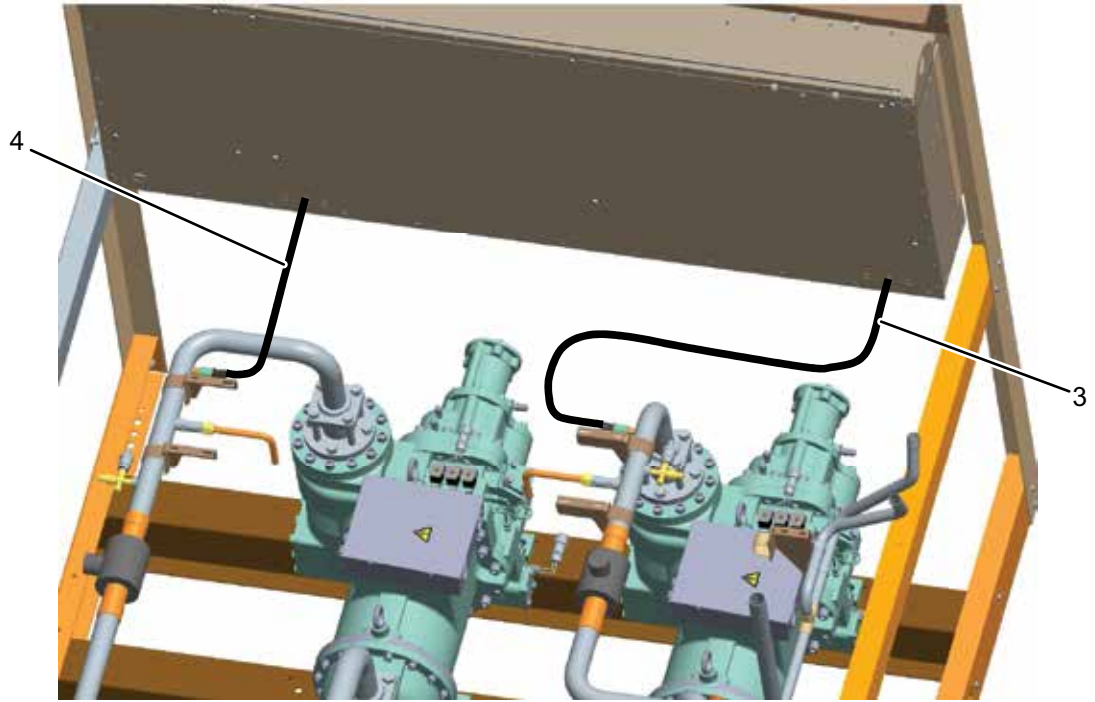
PLUG DETAIL	BOARD PLUG NO.	CABLE ITEM NO.	CABLE CODE	PLUG PIN NO.	WIRE COLOR	FUNCTION	LEGEND	
 <p style="text-align: center;">**19 LD22770</p>	MICRO P8	109		8	BLK	Sys #1 Suction Temp	1-BST	
				5	RED			
				2	DRAIN			
		112		7	BLK	Sys #1 Disch Temp	1-BDT	
				4	RED			
				1	DRAIN			
	111	8	9	BLK	Phx Water Temp	BWT		
			6	RED				
			3	DRAIN				
 <p style="text-align: center;">**19 LD22770</p>	MICRO P10	110		8	BLK	Sys #2 Suction Temp	2-BST	
				5	RED			
				2	DRAIN			
		113		7	BLK	Sys #2 Disch Temp	2-BDT	
				4	RED			
				1	DRAIN			

TABLE 21 - BDP (DISCH. PRESS.) WIRING DETAIL

DISCHARGE PRESSURE SENSOR WIRING (PIGTAIL CONNECTION IN PANEL)							
PLUG DETAIL	PIGTAIL PLUG NO.	B/M ITEM NO.	CABLE CODE	PLUG PIN NO.	WIRE COLOR	FUNCTION	LEGEND
 <p style="text-align: center;">LD22771</p>	P16	*102	6	1	RED	"Sys. #1 Disch. Press."	1-BDP
				2	WHT		
				3	BLK		
				4	DRAIN		
DISCHARGE PRESSURE SENSOR WIRING (PIGTAIL CONNECTION IN PANEL)							
PLUG DETAIL	PIGTAIL PLUG NO.	B/M ITEM NO.	CABLE CODE	PLUG PIN NO.	WIRE COLOR	FUNCTION	LEGEND
 <p style="text-align: center;">LD22771</p>	P16	*102	6	1	RED	"Sys. #1 Disch. Press."	1-BDP
				2	WHT		
				3	BLK		
				4	DRAIN		



LD20960

FIGURE 12 - SYSTEM WIRING

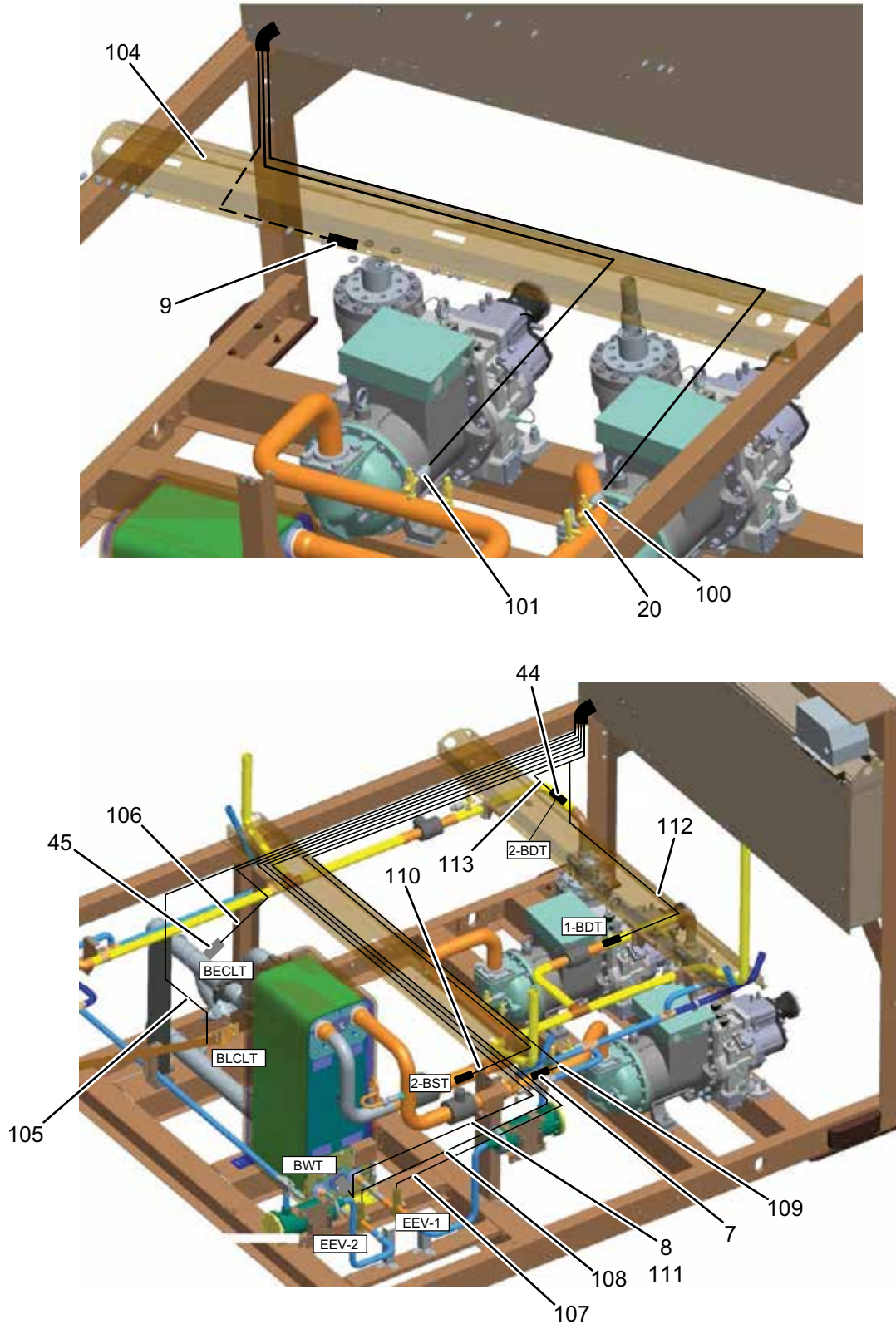


FIGURE 13 - SYSTEM WIRING

LD20961

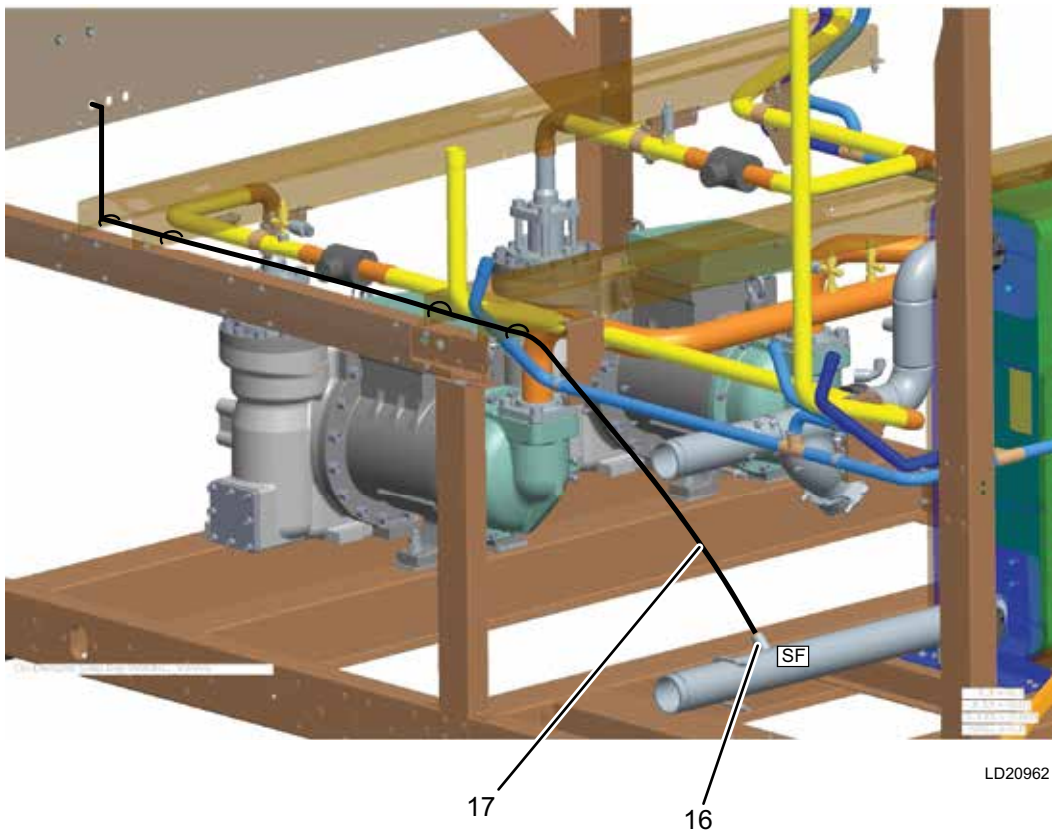
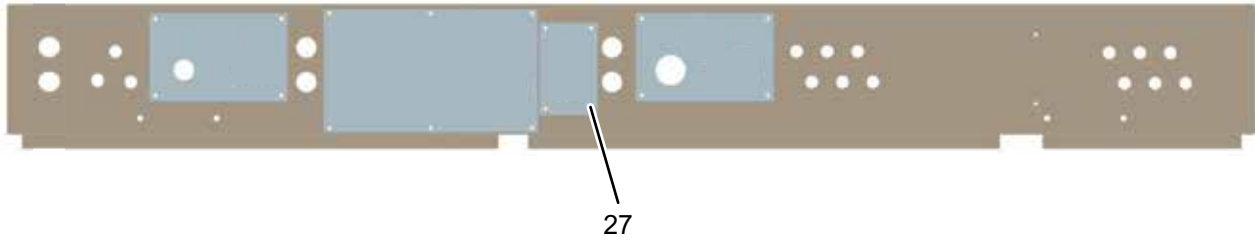


FIGURE 14 - SYSTEM WIRING

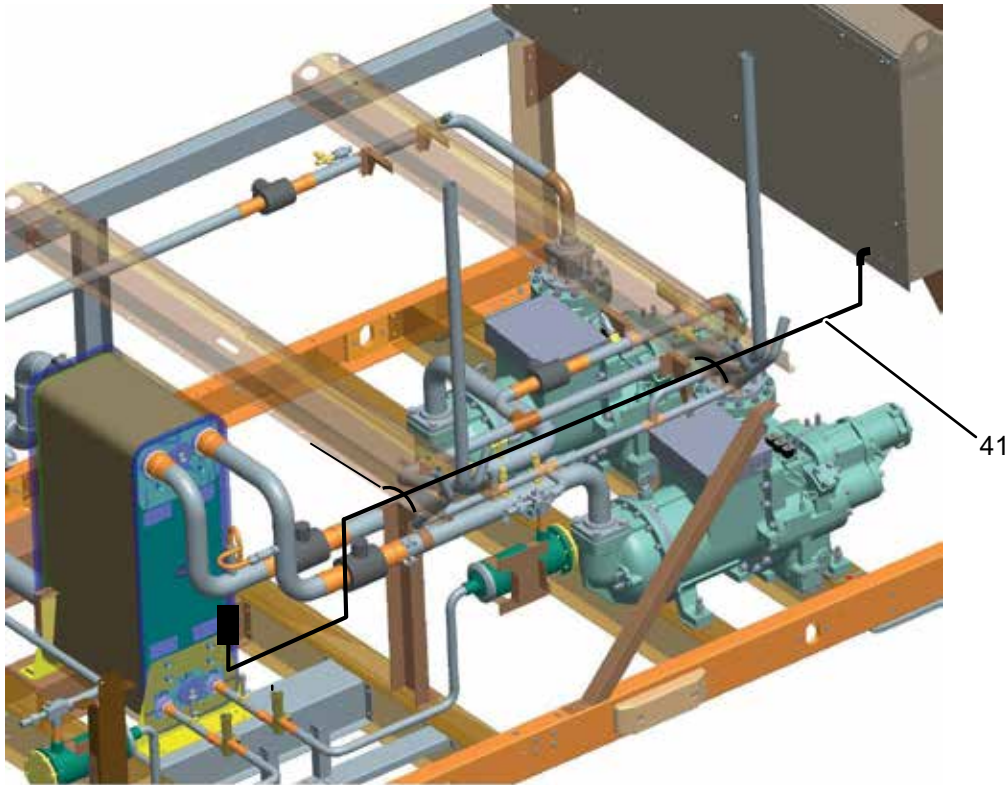
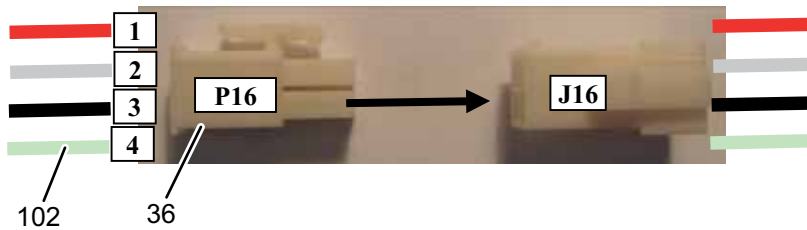
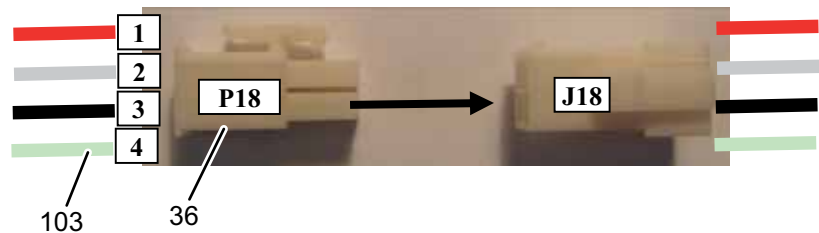


FIGURE 15 - SYSTEM WIRING

LD22767



ROUTE HARNESS (ITEM *102) INTO PANEL. CONNECT HARNESS TO PLUG P16 (ITEM **36) PER CHART. PLUG MATES WITH RESPECTIVE CAP (J16 ON PIGTAIL IN MICROBOARD).



ROUTE HARNESS (ITEM *103) INTO PANEL. CONNECT HARNESS TO PLUG P18 (ITEM **36) PER CHART. PLUG MATES WITH RESPECTIVE CAP (J18 ON PIGTAIL IN MICROBOARD).

LD22772

FIGURE 16 - SYSTEM WIRING

TABLE 22 - POWER PANEL - SOFT STARTER (PIN 13=T), PINS 16 & 17 = BX

ITEM	PIN 52=	PINS 11&12=	MODEL	DESCRIPTION	PART NUMBERS	SAP	QTY	FIGURE
100	F, G	28, 40, 42, 50	0070, 0080, 0110, 0130	Common Parts	371-08667-000	5424584	1	See Table 26
104	F	28	0070	Circuit Brpcske Assembly, 600A	371-08778-000	5424625	1	19
		40, 42, 50	0070	Circuit Brpcske Assembly, 400A	371-08775-000	5424624		
		28, 40, 42, 50	0090	Circuit Brpcske Assembly, 800A	371-08777-000	5424626		
		28, 40, 42, 50	0110, 0130	Circuit Brpcske Assembly, 1000A	371-08783-000	5424623		
	G	40, 42, 50	0070	Circuit Brpcske Assembly, 400A	371-08775-000	5424624		
		40, 42, 50	0090, 0110	Circuit Brpcske Assembly, 600A	371-08778-000	5424625		
		40, 42, 50	0130	Circuit Brpcske Assembly, 800A	371-08777-000	5424626		
105	F, G	28, 40, 42, 50	0070, 0080, 0110, 0130	Terminal, End Bracket	025-39406-000	739625	8	19
106	F	28	0070	180A Soft Starter Assembly	371-08779-000	5424620	1	22
		40, 42, 50	0070	135A Soft Starter Assembly	371-08780-000	5424619		
		28, 40, 42, 50	0090	240A Soft Starter Assembly	371-08776-000	5424621		
		28, 40, 42, 50	0110, 0130	304A Soft Starter Assembly	371-08781-000	5424622		
	G	40, 42, 50	0070, 0090	135A Soft Starter Assembly	371-08780-000	5424619		
		40, 42, 50	0110	180A Soft Starter Assembly	371-08779-000	5424620		
		40, 42, 50	0130	240A Soft Starter Assembly	371-08776-000	5424621		
107	F	28, 40, 42, 50	0090	Contactor, 3Ph 9A	024-34302-000	116969	2	19
		28	0110, 0130	Contactor 18.0A Dc= Ac=600V 50/60Hz N/A	024-34304-000	116970		
		40, 42, 50	0110, 0130	Contactor, 3-Pole, 12A, 600V	024-34300-000	116967		
	G	40, 42, 50	0090, 0110, 0130	Contactor, 3Ph 9A	024-34302-000	116969		
108	F, G	28, 40, 42, 50	0090, 0110, 0130	Clip-On Rc Circ.110-240V, D09-D38 & Cad	031-02106-000	922180	2	19
110	F	28	0070	Grnlug Cu-6-1/0	025-34089-000	117639	1	19
		40, 42, 50	0110, 0130					
		40, 42, 50	0070, 0090	Ground Lug, Copper	025-34088-000	117638		
		28	0090, 0110, 0130	Lug Wire 3/0Awg Contact Terminal 90.0Deg	025-34085-000	901798		
	G	40, 42, 50	0070, 0090	Ground Lug, Copper	025-34088-000	117638		
		40, 42, 50	0110, 0130	Grnlug Cu-6-1/0	025-34089-000	117639		

TABLE 22 - POWER PANEL - SOFT STARTER (PIN 13=T), PINS 16 & 17 = BX (CONT'D)

ITEM	PIN 52=	PINS 11&12=	MODEL	DESCRIPTION	PART NUMBERS	SAP	QTY	FIGURE					
111	F	40, 42, 50	0070	Fuse, Cartridge Type 20 Amp	025-34142-000	739009	6	19					
		28	0090										
112	G	40, 42, 50	0070, 0110	Fuse 600V-CI-Cc-25A	025-41732-000	740007	6	19					
	F	40, 42, 50	0090		025-41732-000	740007							
113	F	28	0070, 0090	Fuse, Cartridge Type 30 Amp	025-35910-000	739236	6	18					
		28, 40, 42, 50	0110, 0130										
	G	40, 42, 50	0090, 0130		025-35910-000	739236							
114	F	28	0090, 0110, 0130	Fuseholder 3 Pole 30Amp 600V	025-45048-003	826358	2	18					
	G	40, 42, 50	0090, 0130	Fuseholder 3 Pole 30Amp 600V	025-45048-003	826358							
116	F	28, 40, 42, 50	0070	Control Harness	025-50175-001	5424633	1	18					
			0090, 0110, 0130	Control Harness	025-50175-002	5424634							
	G	40, 42, 50	0070	Control Harness	025-50175-001	5424633							
		40, 42, 50	0090, 0110, 0130	Control Harness	025-50175-002	5424634							
117	F	28, 40, 42, 50	0070	Harness, Fan Power	025-50176-000	5424604	1	20					
		28	0090, 0110		025-50229-000	5424607							
		40, 42, 50	0090, 0110, 0130		025-50225-000	5424605							
		28	0130		025-50227-000	5424606							
	G	40, 42, 50	0070		025-50176-000	5424604							
		40, 42, 50	0090		025-50225-000	5424605							
		40, 42, 50	0110, 0130		025-50227-000	5424606							
		28	0070		025-50230-003	5424597							
118	F	40, 42, 50	0110	Harness, Comp Power, Ss Sys.	025-50230-001	5424595	1	20					
		28	0090		025-50230-007	5424599							
		40, 42, 50	0090		025-50230-002	5424596							
		28	0110		025-50230-008	5424600							
		28	0130		025-50230-009	5424601							
		40, 42, 50	0130		025-50230-004	5424598							
		40, 42, 50	0130		025-50230-004	5424598							
	G	40, 42, 50	0070		025-50230-001	5424595							
		40, 42, 50	0090		025-50230-002	5424596							
		40, 42, 50	0110		025-50230-003	5424597							
		40, 42, 50	0130		025-50230-004	5424598							
		40, 42, 50	0110, 0130		025-50226-000	5424589							
		119	G		40, 42, 50	0110, 0130			Harness, 4Th Fan Control,	025-50226-000	5424589	1	*
		130	F, G		28, 40, 42, 50	0070, 0080, 0110, 0130			Angle Bracket, Hinged Assy	371-08159-000	5380999	1	24
131	F, G	28, 40, 42, 50	0070, 0080, 0110, 0130	Angle Bracket Catch Assy	371-08158-000	5380998	1	24					
132	F, G	28, 40, 42, 50	0070, 0080, 0110, 0130	Panel, Hinged Assy	371-08665-000	5424617	1	24					

TABLE 22 - POWER PANEL - SOFT STARTER (PIN 13=T), PINS 16 & 17 = BX (CONT'D)

ITEM	PIN 52=	PINS 11&12=	MODEL	DESCRIPTION	PART NUMBERS	SAP	QTY	FIGURE				
133	F, G	28, 40, 42, 50	0070, 0080, 0110, 0130	EEV Driver Board lb-G Part#953580 Parker	025-45462-042	5003886	2	24				
136	F, G	28, 40, 42, 50	0070, 0080, 0110, 0130	Trans P=120V 1Ph S=24V 75.0Vam	025-37679-000	117959	1	23				
137	F, G	28, 40, 42, 50	0070, 0080, 0110, 0130	Harness, EEV To Transformer,	025-50178-000	5424603	1	23				
138	F, G	28, 40, 42, 50	0070, 0080, 0110, 0130	Harness, EEV To Micro,	025-50179-000	5424602	1	23				
139	F, G	28, 40, 42, 50	0070, 0080, 0110, 0130	Fastener Mag Catch	029-20878-000	119733	1	*				
140	F, G	28, 40, 42, 50	0070, 0080, 0110, 0130	Control, Relay-Ss Bd, Air Cooled Scr	031-01369-100	5204031	1	17				
144	F, G	28, 40, 42, 50	0070, 0080, 0110, 0130	PCB Connector, Female, 10-Position	025-29195-000	117472	2	17				
145	F, G	28, 40, 42, 50	0070, 0080, 0110, 0130	Terminal Block P=6 22-10Awg	025-39416-000	5402226	1	17				
203	F, G	28, 40, 42, 50	0070, 0080, 0110, 0130	Disconnect Gasket	071-08664-000	5424587	1	*				
204	F, G	28, 40, 42, 50	0070, 0080, 0110, 0130	Cover Plate Assy	371-08662-000	5424586	1	*				
216	F, G	28, 40, 42, 50	0070, 0090, 0110, 0130	Handle Variable Depth T6	024-37559-000	927966	1	*				
216a	F	28	0110, 0130	Ckt Brkr-Lug Kit - 4/0-500Mcm	025-40832-000	1099847	1	*				
216b	F, G	40, 42, 50	0070	Circuit Breaker	024-35976-000	919052	1	*				
217	F, G	28, 40, 42, 50	0070, 0090, 0110, 0130	Lug Kit Circuit Breaker	025-34414-000	117667	1	*				
217a	F	28	0110, 0130	Circuit Breaker, 600V, 1000A	024-37078-000	5424564	1	*				
217b	F, G	40, 42, 50	0070	Handle Variable Depth T4 T5	024-37558-000	919702	1	*				
218	F	28	70	Circuit Breaker 600.0A 600V 3Pole	024-37004-000	1179201	1	*				
		40, 42, 50	0090, 0110									
		28	90						Circuit Breaker 800.0A 600V 3Pole	024-37003-000	5389740	1
		40, 42, 50	130									
	G	40, 42, 50	0090, 0110	Circuit Breaker 600.0A 600V 3Pole	024-37004-000	1179201	1					
		40, 42, 50	130	Circuit Breaker 800.0A 600V 3Pole	024-37003-000	5389740	1					
218a	F	28	0110, 0130	Handle Variable Depth T7	024-37560-000	927967	1	*				
218b	G	40, 42, 50	70	Lug Kit For Cb Handle	025-40825-000	920251	1	*				
	F	40, 42, 50	70		025-40825-000	920251	1	*				

TABLE 22 - POWER PANEL - SOFT STARTER (PIN 13=T), PINS 16 & 17 = BX (CONT'D)

ITEM	PIN 52=	PINS 11&12=	MODEL	DESCRIPTION	PART NUMBERS	SAP	QTY	FIGURE
219	F	28	0070	Handle Padlocakable Pistol	029-23476-000	922036	1	*
		40, 42, 50	0070, 0090, 0110					
		28	0090	Handle Circuit Breaker	025-35697-000	53441		
		40, 42, 50	0130					
	28	0110, 0130	Handle Circuit Breaker	025-37655-000	117957			
	G	40, 42, 50	0070, 0090, 0110	Handle Padlocakable Pistol	029-23476-000	922036		
40, 42, 50		0130	Handle Circuit Breaker	025-35697-000	53441			
220	F, G	28, 40, 42, 50	0070, 0080, 0110, 0130	Shaft Circuit Breaker	025-35696-000	53440	1	*
221	F, G	28, 40, 42, 50	0070, 0080, 0110, 0130	Power Supply, 85-264Vac To 24VDC, 10A	025-50238-000	5424575	1	22
222	F, G	28, 40, 42, 50	0070, 0080, 0110, 0130	Lug Kit (3), Softstarter	024-40217-000	5424569	2	22
223	F, G	28, 40, 42, 50	0070, 0080, 0110, 0130	Relay, Control, 600V, 10A	024-40215-000	5424576	2	22
224	F, G	28, 40, 42, 50	0070, 0080, 0110, 0130	Harness	025-50228-000	5424609	1	21
225	F, G	28, 40, 42, 50	0070, 0080, 0110, 0130	Din Rail L=177.80Mm W=35.00Mm D=7.50Mm	071-05906-070	839861	1	22
226	F, G	28, 40, 42, 50	0070, 0080, 0110, 0130	Din Rail L=76.20Mm W=35.00Mm D=7.50Mm	071-05906-030	839856	1	22
231	F, G	28, 40, 42, 50	0070, 0080, 0110, 0130	Surge Suppresor	031-02107-000	922201	2	22
232	F	28	0070	Softstarter, 600V, 180A	024-40218-000	5424578	2	22
		40, 42, 50	0110					
		40, 42, 50	0070, 0090	Softstarter, 600V, 135A	024-40219-000	5424577		
		28	0090	Softstarter, 600V, 240A	024-40216-000	5424579		
	40, 42, 50	0130						
	28	0110, 0130	Softstarter, 600V, 304A	024-40220-000	5424580			
	G	40, 42, 50	0070, 0090	Softstarter, 600V, 135A	024-40219-000	5424577		
		40, 42, 50	0110	Softstarter, 600V, 180A	024-40218-000	5424578		
40, 42, 50		0130	Softstarter, 600V, 240A	024-40216-000	5424579			
233	F	28, 40, 42, 50	0070, 0080, 0110, 0130	Terminal, End Bracket	025-39406-000	739625	5	22
	G	40, 42, 50	0070, 0090, 0110, 0130					
234	F	28	0070	Lug Kit (3), Softstarter	025-50239-000	5424570	2	22
		40, 42, 50	0110					
	G	40, 42, 50	0110					

NOTE: Items with an * are NOT represented.

TABLE 23 - POWER PANEL - SOFT STARTER (PIN 13=T), PINS 16 & 17 = SX

ITEM	PIN 52=	PINS 11&12=	MODEL	DESCRIPTION	PART NUMBERS	SAP	QTY	FIGURE			
100	F, G	28, 40, 42, 50	0070, 0090, 0110, 0130	Common Parts	371-08667-000	5424584	1	See Table 26			
104	F	28	0070, 0130	Power Terminal Block Assembly	371-08773-000	5424632	1	19			
		40, 42, 50	0110, 0130		371-08793-000	5429206					
			0070		371-08793-000	5429206					
		28, 40, 42, 50	0900		371-08793-000	5429206					
	28	0110	371-08793-000		5429206						
	G	40, 42, 50	0070		Power Terminal Block Assembly	371-08793-000			5429206		
	40, 42, 50	0090, 0110, 0130	Power Terminal Block Assembly	371-08773-000	5424632						
105	F	28	0070	Terminal, End Bracket	025-39406-000	739625	8	19			
	G	40, 42, 50	0070, 0090								
106	F	28	0070	180A Soft Starter Assembly	371-08779-000	5424620	1	22			
		40, 42, 50	0070		371-08780-000	5424619					
		28	0090, 0130		371-08776-000	5424621					
		40, 42, 50	0110, 0130		371-08781-000	5424622					
		28	0110		371-08781-000	5424622					
	G	40, 42, 50	0070, 0090	135A Soft Starter Assembly	371-08780-000	5424619					
		40, 42, 50	0110	180A Soft Starter Assembly	371-08779-000	5424620					
		40, 42, 50	0130	240A Soft Starter Assembly	371-08776-000	5424621					
107	F	28, 40, 42, 50	0900	Contactor, 3Ph 9A	024-34302-000	116969	2	19			
		28	0110	Contactor 18.0A Dc= Ac=600V 50/60Hz N/A	024-34304-000	116970					
		40, 42, 50	0110, 0130	Contactor, 3-Pole, 12A, 600V	024-34300-000	116967					
		28	0130	Contactor, 3Ph 9A	024-34302-000	116969					
	G	40, 42, 50	0090, 0110, 0130	Contactor, 3Ph 9A	024-34302-000	116969					
108	F, G	28, 40, 42, 50	0090, 0110, 0130	Clip-On Rc Circ.110-240V, D09-D38 & Cad	031-02106-000	922180	2	19			
110	F	28	0070, 0130	Grnlug Cu-6-1/0	025-34089-000	117639	1	19			
		40, 42, 50	0110, 0130								
		40, 42, 50	0070, 0090						Ground Lug, Copper	025-34088-000	117638
		28	0090, 0110						Lug Wire 3/0Awg Contact Terminal 90.0Deg	025-34085-000	901798
	G	40, 42, 50	0070, 0090						Ground Lug, Copper	025-34088-000	117638
		40, 42, 50	0110, 0130						Grnlug Cu-6-1/0	025-34089-000	117639
111	F	40, 42, 50	0070	Fuse, Cartridge Type 20 Amp	025-34142-000	739009	6	19			
		28	0090		025-34142-000	739009					
112	F	40, 42, 50	0110	Fuse 600V-CI-Cc-25A	025-41732-000	740007	6	19			
	G	40, 42, 50	0070	Fuse 600V-CI-Cc-25A	025-41732-000	740007					
113	F	28	0070	Fuse, Cartridge Type 30 Amp	025-35910-000	739236	6	18			
	G	40, 42, 50	0090	Fuse, Cartridge Type 30 Amp	025-35910-000	739236					

TABLE 23 - POWER PANEL - SOFT STARTER (PIN 13=T), PINS 16 & 17 = SX (CONT'D)

ITEM	PIN 52=	PINS 11&12=	MODEL	DESCRIPTION	PART NUMBERS	SAP	QTY	FIGURE
116	F	28, 40, 42, 50	0070	Control Harness	025-50175-001	5424633	1	18
		28, 40, 42, 50	0090, 0110, 0130		025-50175-002	5424634		
	G	40, 42, 50	0070	Control Harness	025-50175-001	5424633		
		40, 42, 50	0090, 0110, 0130		025-50175-002	5424634		
117	F	28, 40, 42, 50	0070	Harness, Fan Power	025-50176-000	5424604	1	20
		28	0090, 0110		025-50229-000	5424607		
		28	0130		025-50225-000	5424605		
		40, 42, 50	0090, 0110, 0130					
	G	40, 42, 50	0070		025-50176-000	5424604		
		40, 42, 50	0090		025-50225-000	5424605		
		40, 42, 50	0110, 0130		025-50227-000	5424606		
118	F	28	0070	Harness, Comp Power, Ss Sys.	025-50230-003	5424597	1	20
		40, 42, 50	0110		025-50230-001	5424595		
		40, 42, 50	0070					
		28	0090		025-50230-007	5424599		
		40, 42, 50	0090		025-50230-002	5424596		
		28	0110		025-50230-008	5424600		
		28, 40, 42, 50	0130		025-50230-004	5424598		
	G	40, 42, 50	0070		025-50230-001	5424595		
		40, 42, 50	0090		025-50230-002	5424596		
		40, 42, 50	0110		025-50230-003	5424597		
		40, 42, 50	0130		025-50230-004	5424598		
		40, 42, 50	0110		025-50230-003	5424597		
		40, 42, 50	0130		025-50230-004	5424598		
119	G	40, 42, 50	0110, 0130	Harness, 4Th Fan Control	025-50226-000	5424589	1	*
130	F, G	28, 40, 42, 50	0070, 0090, 0110, 0130	Angle Bracket, Hinged Assy	371-08159-000	5380999	1	24
131	F, G	28, 40, 42, 50	0070, 0090, 0110, 0130	Angle Bracket Catch Assy	371-08158-000	5380998	1	24*
132	F, G	28, 40, 42, 50	0070, 0090, 0110, 0130	Panel, Hinged Assy	371-08665-000	5424617	1	24
133	F, G	28, 40, 42, 50	0070, 0090, 0110, 0130	EEV Driver Board Ib-G Part#953580 Parker	025-45462-042	5003886	2	24
136	F, G	28, 40, 42, 50	0070, 0090, 0110, 0130	Trans P=120V 1Ph S=24V 75.0Vam	025-37679-000	117959	1	23
137	F, G	28, 40, 42, 50	0070, 0090, 0110, 0130	Harness, EEV To Transformer	025-50178-000	5424603	1	23
138	F, G	28, 40, 42, 50	0070, 0090, 0110, 0130	Harness, EEV To Micro	025-50179-000	5424602	1	23
139	F, G	28, 40, 42, 50	0070, 0090, 0110, 0130	Fastener Mag Catch	029-20878-000	119733	1	*
140	F, G	28, 40, 42, 50	0070, 0090, 0110, 0130	Control, Relay-Ss Bd, Air Cooled Scr	031-01369-100	5204031	1	17
143	F, G	28, 40, 42, 50	0070, 0090, 0110, 0130	Cable Assy, , Micro To Triac	071-08008-000	5204673	1	17

TABLE 23 - POWER PANEL - SOFT STARTER (PIN 13=T), PINS 16 & 17 = SX (CONT'D)

ITEM	PIN 52=	PINS 11&12=	MODEL	DESCRIPTION	PART NUMBERS	SAP	QTY	FIGURE	
144	F, G	28, 40, 42, 50	0070, 0090, 0110, 0130	PCB Connector, Female, 10-Position	025-29195-000	117472	2	17	
145	F, G	28, 40, 42, 50	0070, 0090, 0110, 0130	Terminal Block P=6 22-10Awg	025-39416-000	5402226	1	17	
200	F	28	0070, 0090, 0130	Block, Term 3 Pole 600V	025-32536-000	919881	1	*	
		40, 42, 50	0090, 0110, 0130						
		40, 42, 50	0070	Terminal Block P=3 500 Mcm	025-40848-000	5389648			
	G	40, 42, 50	0070	Terminal Block P=3 500 Mcm	025-40848-000	5389648			
		40, 42, 50	0090, 0110, 0130	Block, Term 3 Pole 600V	025-32536-000	919881			
201	F	28	0070, 0090, 0130	Cover, Distribution Block	025-39397-000	5389645	3	*	
		40, 42, 50	0090, 0110, 0130						
		40, 42, 50	0070		025-38395-000	920117			1
	G	40, 42, 50	0070	Power Distribution Block	025-38395-000	920117			1
		40, 42, 50	0090, 0110, 0130	Cover, Distribution Block	025-39397-000	5389645			3
204	G	40, 42, 50	0070, 0090, 0110, 0130	Cover Plate Assy	371-08662-000	5424586	2	*	
221	F	28	0070, 0090, 0110, 0130	Power Supply, 85-264Vac To 24VDC, 10A	025-50238-000	5424575	1	22	
		40, 42, 50	007, 0110, 0130						
	G	40, 42, 50	0070	Power Supply, 85-264Vac To 24VDC, 10A	025-50238-000	5424575			
222	F	28	0070, 0090, 0110, 0130	Lug Kit (3), Softstarter	024-40217-000	5424569	2	22	
		40, 42, 50	007, 0110, 0130						
	G	40, 42, 50	0070	Lug Kit (3), Softstarter	024-40217-000	5424569			4
223	F	28	0070, 0090, 0110, 0130	Relay, Control, 600V, 10A	024-40215-000	5424576	2	22	
		40, 42, 50	007, 0110, 0130						
	G	40, 42, 50	0070	Relay, Control, 600V, 10A	024-40215-000	5424576			
224	F	28	0070, 0090, 0110, 0130	Harness	025-50228-000	5424609	1	21	
		40, 42, 50	007, 0110, 0130						
	G	40, 42, 50	0070	Harness	025-50228-000	5424609			

TABLE 23 - POWER PANEL - SOFT STARTER (PIN 13=T), PINS 16 & 17 = SX (CONT'D)

ITEM	PIN 52=	PINS 11&12=	MODEL	DESCRIPTION	PART NUMBERS	SAP	QTY	FIGURE
225	F	28	0070, 0090, 0110, 0130	Din Rail L=177.80Mm W=35.00Mm D=7.50Mm	071-05906-070	839861	1	22
		40, 42, 50	007, 0110, 0130					
	G	40, 42, 50	0070	Din Rail L=177.80Mm W=35.00Mm D=7.50Mm	071-05906-070	839861		
226	F	28	0070, 0090, 0110, 0130	Din Rail L=76.20Mm W=35.00Mm D=7.50Mm	071-05906-030	839856	1	22
		40, 42, 50	007, 0110, 0130					
	G	40, 42, 50	0070	Din Rail L=76.20Mm W=35.00Mm D=7.50Mm	071-05906-030	839856		
231	F	28	0070, 0090, 0110, 0130	Surge Suppresor	031-02107-000	922201	2	22
		40, 42, 50	007, 0110, 0130					
	G	40, 42, 50	0070	Surge Suppresor	031-02107-000	922201		
232	F	28	0070	Softstarter, 600V, 180A	024-40218-000	5424578	2	22
		40, 42, 50	0110					
		40, 42, 50	0070	Softstarter, 600V, 135A	024-40219-000	5424577		
		28	0090, 0130	Softstarter, 600V, 240A	024-40216-000	5424579		
		40, 42, 50	0130					
		28	0110	Softstarter, 600V, 304A	024-40220-000	5424580		
	G	40, 42, 50	0070, 0090	Softstarter, 600V, 135A	024-40219-000	5424577		
		40, 42, 50	0110	Softstarter, 600V, 180A	024-40218-000	5424578		
		40, 42, 50	0130	Softstarter, 600V, 240A	024-40216-000	5424579		
233	F	28	0070, 0090, 0110, 0130	Terminal, End Bracket	025-39406-000	739625	5	22
		40, 42, 50	007, 0110, 0130					
	G	40, 42, 50	0070, 0090, 0110, 0130	Terminal, End Bracket	025-39406-000	739625		
234	G	40, 42, 50	0110	Lug Kit (3), Softstarter	025-50239-000	5424570	2	22
235	F	28	0110	Circuit Breaker 1200.0A 600V 3Pole	024-37005-000	919075	1	*
236	F	28	0110	Handle Variable Depth T7	024-37560-000	927967	1	*
237	F	28	0110	Ckt Brkr-Lug Kit - 4/0- 500Mcm	025-40832-000	1099847	1	*
238	F	28	0110	Handle Circuit Breaker	025-37655-000	117957	1	*
239	F	28	0110	Shaft Circuit Breaker	025-35696-000	53440	1	*

NOTE: Items with an * are NOT represented.

TABLE 24 - POWER PANEL - ACROSS THE LINE STARTER (PIN 13=X), PINS 16 & 17 = BX

ITEM	PIN 52=	MODEL	DESCRIPTION	PART NUMBERS	SAP	QTY	FIGURE					
100	F, G	0070, 0090, 0110, 0130	Common Parts	371-08667-000	5424584	1	See Table 26					
104	F, G	0070	Circuit Brpcker Assembly, 400A	371-08775-000	5424624	1	19					
	F	0090	Circuit Brpcker Assembly, 800A	371-08777-000	5424626							
	G	0130										
	F	0110, 0130	Circuit Brpcker Assembly, 600A	371-08778-000	5424625							
	G	0090, 0110										
106	F, G	0070	Delta Starter Kit, W/O Ext. Ct's	371-08794-000	5429207	1	22					
	F, G	0090 & 0110	Delta Starter Kit, W/O Ext. Ct's	371-08774-000	5424627							
	F, G	0130	Delta Starter Kit, W/ Ext. Ct's	371-08795-000	5429208							
107	G	0090, 0110	Contactor, 3-Pole, 12A, 600V	024-34302-000	116969	2	19					
	G	0130										
	F	0090										
	F	0110, 0130						Contactor, 3-Pole, 12A, 600V	024-34300-000	116967		
108	G	0090, 0110, 0130	Clip-On Rc Circ.110-240V, D09-D38 & Cad	031-02106-000	922180	2	19					
111	F	0070	Fuse, Cartridge Type 20 Amp	025-34142-000	739009	6	19					
112	G	0110, 0130	Fuse 600V-CI-Cc-25A	025-41732-000	740007	12	19					
	G	0700		025-41732-000	740007	6						
113	F, G	0110	Fuse, Cartridge Type 30 Amp	025-35910-000	739236	6	18					
	F	0090, 0130										
114	G	0110, 130	Fuseholder 3 Pole 30Amp 600V	025-45048-003	826358	2	18					
116	F, G	0070	Control Harness	025-50175-001	5424633	1	18					
		0090, 0110, 0130		025-50175-002	5424634							
117	F, G	0070	Harness, Fan Power	025-50176-000	5424604	1	20					
	G	0090		025-50225-000	5424605							
	F	0110, 0130		025-50229-000	5424607							
	F	0090	Harness, Fan Power	025-50227-000	5424606							
	G	0110, 0130										
118	G	0070	Harness, Comp Power, , Delta Sys.	025-50177-010	5424594	1	20					
		0090		025-50177-002	5424590							
		0110		025-50177-003	5424591							
		0130		025-50177-004	5424592							
	F	0070		025-50177-010	5424594							
		0090		025-50230-007	5424599							
		119		G	0110, 0130			Harness, 4Th Fan Control	025-50226-000	5424589	1	*
				G	0070			Overload Relay	024-40210-000	5424572	2	19
F, G	0090, 0110, 0130	024-40229-000	5424573									
208	F, G	0070, 0090, 0110, 0130	Aux Contacts For Contactor	024-35493-000	919014	2	19					
209	F, G	0070, 0090, 0110, 0130	Surge Suppressor	031-00808-000	618876	2	*					

TABLE 24 - POWER PANEL - ACROSS THE LINE STARTER (PIN 13=X), PINS 16 & 17 = BX (CONT'D)

ITEM	PIN 52=	MODEL	DESCRIPTION	PART NUMBERS	SAP	QTY	FIGURE
210	G	0070, 0090, 0110	Contactor 150.0A Dc= Ac=110-120V 50/60Hz	024-35479-000	919008	2	19
	F	0070, 0090, 0110					
	G	0130	Contactor 400.0A Dc= Ac=600V 50/60Hz N/A	024-39898-000	5389872		
211	G	0070, 0090, 0110	Lug Kit, (6) Contactor, Lc1f150, F185	024-40211-000	5424571	1	19
	G	0130	Terminal Kit, A210-300	025-50237-000	5424582	2	
215	F, G	0090	Current Transformer Kit	025-50262-000	5424565	2	*
	G	0110					
	G	0130		025-50310-000	5429209		
216	F, G	0070	Circuit Breaker	024-35976-000	919052	1	*
		0090, 0110, 0130	Handle Variable Depth T6	024-37559-000	927966		
217	F, G	0070	Handle Variable Depth T4 T5	024-37558-000	919702	1	*
		0090, 0110, 0130	Lug Kit Circuit Breaker	025-34414-000	117667		
218	F, G	0070	Lug Kit For Cb Handle	025-40825-000	920251	1	*
	F	0090	Circuit Breaker 800.0A 600V 3Pole	024-37003-000	5389740		
	G	0130					
	F	0110, 0130	Circuit Breaker 600.0A 600V 3Pole	024-37004-000	1179201		
G	0090, 0110						
219	F	0070	Handle Padlocakable Pistol	029-23476-000	922036	1	*
	G	0070, 0090, 0110					
	F	0090, 0110, 0130	Handle Circuit Breaker	025-35697-000	53441		
	G	0130					
220	F	0070, 0090, 0110, 0130	Shaft Circuit Breaker	025-35696-000	53440	1	*

NOTE: Items with an * are NOT represented.

TABLE 25 - POWER PANEL - ACROSS THE LINE STARTER (PIN 13=X), PINS 16 & 17 = SX

ITEM	PIN 52=	MODEL	DESCRIPTION	PART NUMBERS	SAP	QTY	FIGURE
100	F, G	0070, 0090, 0110, 0130	Common Parts	371-08667-000	5424584	1	See Table 26
104	F, G	0070	Power Terminal Block Assembly	371-08793-000	5429206	1	19
		0090, 0110, 0130		371-08773-000	5424632		
105	F, G	0070, 0090, 0110, 0130	Terminal, End Bracket	025-39406-000	739625	8	19
106	F, G	0070	Delta Starter Kit, W/O Ext. Ct's	371-08794-000	5429207	1	22
	F, G	0090 & 0110		371-08774-000	5424627		
	F, G	0130		371-08795-000	5429208		
107	F, G	0090, 0110	Contactora, 3-Pole, 12A, 600V	024-34302-000	116969	2	19
	F	0130	Contactora, 3-Pole, 12A, 600V	024-34300-000	116967		
108	G	0090, 0110, 0130	Clip-On Rc Circ.110-240V, D09-D38 & Cad	031-02106-000	922180	2	19
109	F	0110	Contactora, 3-Pole, 12A, 600V	024-34300-000	116967	2	19
111	F	0070	Fuse, Cartridge Type 20 Amp	025-34142-000	739009	6	19
112	F	0090	Fuse 600V-CI-Cc-25A	025-41732-000	740007	6	19
	G	0700, 0110, 0130		025-41732-000	740007	12	
113	F, G	0110	Fuse, Cartridge Type 30 Amp	025-35910-000	739236	6	18
114	G	0110, 130	Fuseholder 3 Pole 30Amp 600V	025-45048-003	826358	2	18
116	F, G	0070	Control Harness	025-50175-001	5424633	1	18
		0090, 0110, 0130		025-50175-002	5424634		
117	F, G	0070	Harness, Fan Power	025-50176-000	5424604	1	20
	G	0090		025-50225-000	5424605		
	G	0110, 0130		025-50227-000	5424606		
118	F, G	0070	Harness, Comp Power, , Delta Sys.	025-50177-010	5424594	1	20
		0090		025-50177-002	5424590		
		0110		025-50177-003	5424591		
	F	0130		025-50177-004	5424592		
		G		0130	025-50177-005		
119	G	0110, 0130	Harness, 4Th Fan Control	025-50226-000	5424589	1	*
130	F	0070, 0090, 0110, 0130	Angle Bracket, Hinged Assy	371-08159-000	5380999	1	24
131	F	0070, 0090, 0110, 0130	Angle Bracket Catch Assy	371-08158-000	5380998	1	24
132	F	0070, 0090, 0110, 0130	Panel, Hinged Assy	371-08665-000	5424617	1	24
133	F	0070, 0090, 0110, 0130	EEV Driver Board Ib-G Part#953580 Parker	025-45462-042	5003886	2	24

TABLE 25 - POWER PANEL - ACROSS THE LINE STARTER (PIN 13=X), PINS 16 & 17 = SX (CONT'D)

ITEM	PIN 52=	MODEL	DESCRIPTION	PART NUMBERS	SAP	QTY	FIGURE
136	F	0070, 0090, 0110, 0130	Trans P=120V 1Ph S=24V 75.0Vam	025-37679-000	117959	1	23
137	F	0070, 0090, 0110, 0130	Harness, EEV To Transformer	025-50178-000	5424603	1	23
138	F	0070, 0090, 0110, 0130	Harness, EEV To Micro,	025-50179-000	5424602	1	23
140	F	0070, 0090, 0110, 0130	Control, Relay-Ss Bd, Air Cooled Scr	031-01369-100	5204031	1	17
143	F	0070, 0090, 0110, 0130	Cable Assy, , Micro To Triac	071-08008-000	5204673	1	17
144	F	0070, 0090, 0110, 0130	PCB Connector, Female, 10- Position	025-29195-000	117472	2	17
145	F	0070, 0090, 0110, 0130	Terminal Block P=6 22-10Awg	025-39416-000	5402226	1	17
200	F	0070, 0090, 0110, 0130	Terminal Block P=3 500 Mcm	025-40848-000	5389648	1	*
	G	0070					
	G	0090, 0110, 0130	Block, Term 3 Pole 600V	025-32536-000	919881	1	
201	F	0070, 0090, 0110, 0130	Power Distribution Block	025-38395-000	920117	1	*
	G	0070					
	G	0090, 0110, 0130	Cover, Distribution Block	025-39397-000	5389645	3	
207	F	0070, 0090, 0110, 0130	Overload Relay	024-40210-000	5424572	2	19
	G	0070					
	G	0090, 0110, 0130		024-40229-000	5424573		
208	F, G	0070, 0090, 0110, 0130	Aux Contacts For Contactor	024-35493-000	919014	2	19
209	F, G	0070, 0090, 0110, 0130	Surge Suppressor	031-00808-000	618876	2	*
210	F	0070, 0090, 0110, 0130	Contactor 150.0A Dc= Ac=110-120V 50/60Hz	024-35479-000	919008	2	19
	G	0070, 0090, 0110					
	G	0130	Contactor 400.0A Dc= Ac=600V 50/60Hz N/A	024-39898-000	5389872		
211	G	0130	Terminal Kit, A210-300	025-50237-000	5424582	2	19
215	G	0110	Current Transformer Kit	025-50262-000	5424565	2	*
	G	0130		025-50310-000	5429209		

NOTE: Items with an * are NOT represented.

TABLE 26 - COMMON PARTS

ITEM	DESCRIPTION	PART NUMBERS	SAP	QTY	FIGURE
1	Power Back Panel	071-08666-000	5424631	1	19
12	Din Rail L=482.60Mm W=35.00Mm D=7.50Mm	071-05906-190	839884	2	19
13	Ground Bar, 4-Pole	025-35685-000	5380956	4	19
14	Relay 120 Vac 4No Din Rail Ac=10.0A Dc=	024-37045-000	917838	3	19
15	Terminal, End Bracket	025-39406-000	739625	4	19
16	Surge Suppresor	031-02107-000	922201	3	19
17	Contactora, 3Ph 9A	024-34302-000	116969	4	19
18	Clip-On Rc Circ.110-240V, D09-D38 & Cad	031-02106-000	922180	4	19
20	Transformer, Control	025-50234-000	5424583	1	19
21	Fuseholder 3 Pole 30Amp 600V	025-45048-003	826358	2	19
22	Fuse, Cartridge Type 1 Amp	025-43326-000	740259	1	19
23	Fuse Type=Classcc 2.00A 600V None	025-39323-000	1128288	1	19
24	Fuseblock, Primary 25 - 2000 lii & lv	025-50235-000	5424568	1	19
25	Fuse Puller,Finger Safe, Pu=3	025-50236-000	5424567	1	19

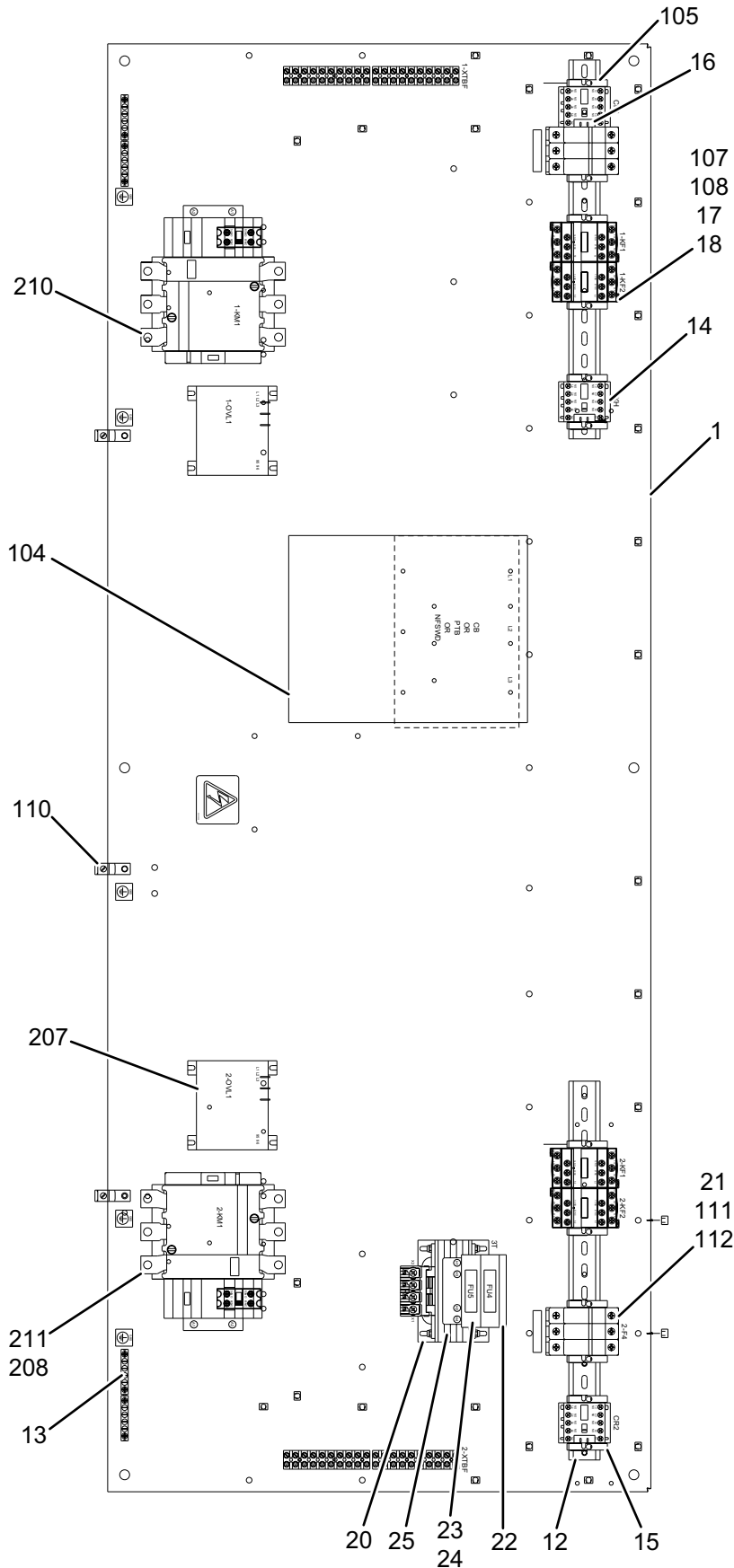
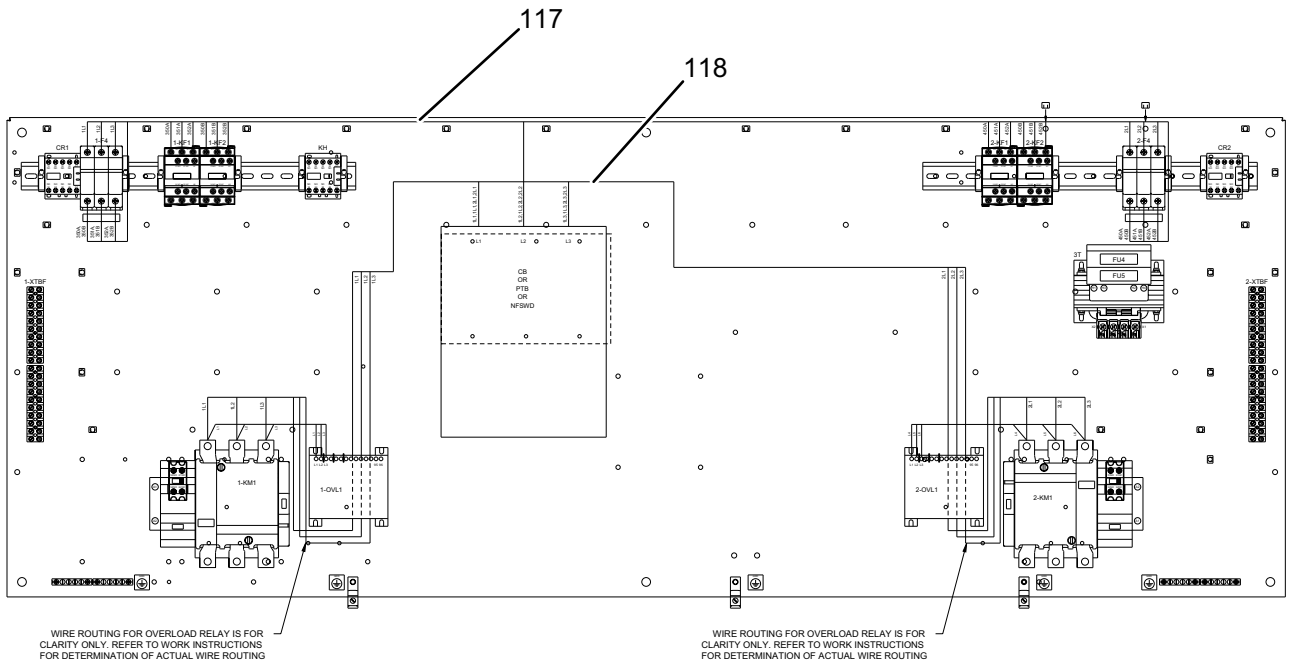


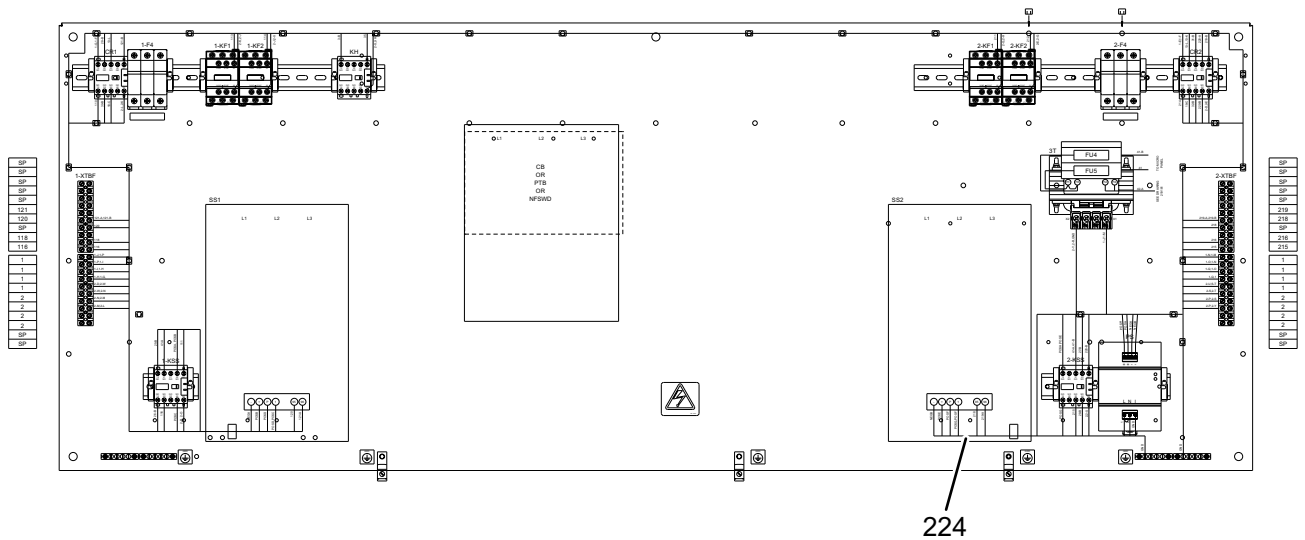
FIGURE 19 - POWER/CONTROL ASSEMBLY

LD23142



LD23144

FIGURE 20 - POWER/CONTROL ASSEMBLY



LD23144

FIGURE 21 - POWER/CONTROL ASSEMBLY (SOFT STARTER)

TABLE 27 - LANGUAGE KIT

ITEM	DESCRIPTION	PART NUMBERS	SAP	QTY
5	Switch, Spst, Two Position	024-25517-000	100320	1
6	Switch Keypad	024-36082-007	736305	1
9	LCD Flat Cable(031-02108-000)	031-02108-000	439727	1
10	Display LCD	031-02749-000	403582	1

TABLE 28 - MICRO ASSEMBLY

ITEM	DESCRIPTION	PART NUMBERS	SAP	QTY	FIGURE
1	Micro Back Panel	071-08131-000	5380988	1	23
2	Kit, Assembly I/O Control Bd	331-02550-606	5290484	1	23
9	Transformer Class 2	025-27911-000	1312	1	23
10	Fuse Type=Timedelay 10.00A 600V None	025-34430-000	117676	2	23
13	Harness - Micro Elv	025-49446-000	5380961	1	23
	Wire Insulated 18Awg Single Core Brown	025-34187-000	839738	38	
	Cable W=16 18Awg 300V Wo/Earth Cu Round	025-33771-000	5380953	1	
	Sleeve 18Awg Ins Yellow L=15.00Mm D	025-42177-000	5380958	8	
	Term Wire 22-16 Awg	025-19408-000	737521	1	
	Cont Soc Awg Wire Size 20	025-19674-000	737537	12	
	Term Push-On Faston	025-23735-000	117310	2	
	Contact Socket Mini Universal	025-28386-000	737925	2	
	Contact, Pin Mini Universal	025-30999-000	738540	3	
	Term Push On Flag With	025-21771-000	737665	2	
	Hsg Connr Soc Comm 3 Ckt Nat	025-21137-000	737637	1	
	Hsg Connr Soc Comm 12 Ckt Nat	025-18955-000	737513	1	
	Terminal Block P=10 22-10Awg	025-35641-000	5380955	2	
	Hsg Connr Plug Mini 4 Ckt Nat	025-28959-000	738246	1	
	Hsg Connr Plug Mini 15 Ckt Nat	025-28385-000	62718	1	
14	Harness, Micro Section Control	025-50174-000	5424608	1	23
	Ferrule	025-42178-000	1187210	8	
	Terminal Block P=4 30-12Awg	025-35627-000	117732	1	
	Socket Block, 9-Position (Orange)	025-49781-000	5380970	1	
	PCB Connector, Female, 10- Position	025-29195-000	117472	2	
	Term Wire 22-16 Awg	025-19408-000	737521	1	
	Term Pin Wire Range 20-14	025-22214-000	144768	12	
	Cont Soc Wire Range 20-14	025-22215-000	62701	12	
	Term Faston .250 Series Awg	025-30996-000	738538	2	
	Wire Elec 16 Awg Grn/Yel Per	025-34026-000	738982	1	
	Wire Elec 16 Awg Lt Blue Or	025-34022-000	738979	5	
	Wire Elec 16 Awg Red Per Aso	025-34018-000	738975	31	
	Wire Insulated 16Awg 105°C Orange 26	025-49564-000	5380968	18	
	Terminal	025-39405-000	445012	18	
	Din Rail L=203.20Mm W=35.00Mm D=7.50Mm	071-05906-080	839863	1	
	Terminal, End Bracket	025-39406-000	739625	2	
	Jumper, Plug-In (41-Position)	025-38369-000	5429205	5	
	Fuseholder 1 Pole 30Amp 600V	025-45048-001	826356	2	
	Connector Plug 15 R=5 6.35Mm	025-20918-000	737623	1	
	Connector Receptacle Cap 15 R=5 6.35Mm	025-20788-000	737570	1	
	Term Blk Ground Wpe 4	025-39407-000	467020	1	
	End Barriers For Terminal Block	025-39408-000	886667	1	
	Cap Insulated Electrical	025-40478-000	411555	1	
16	Rail Support For Terminal Block	026-50297-000	5380971	2	23

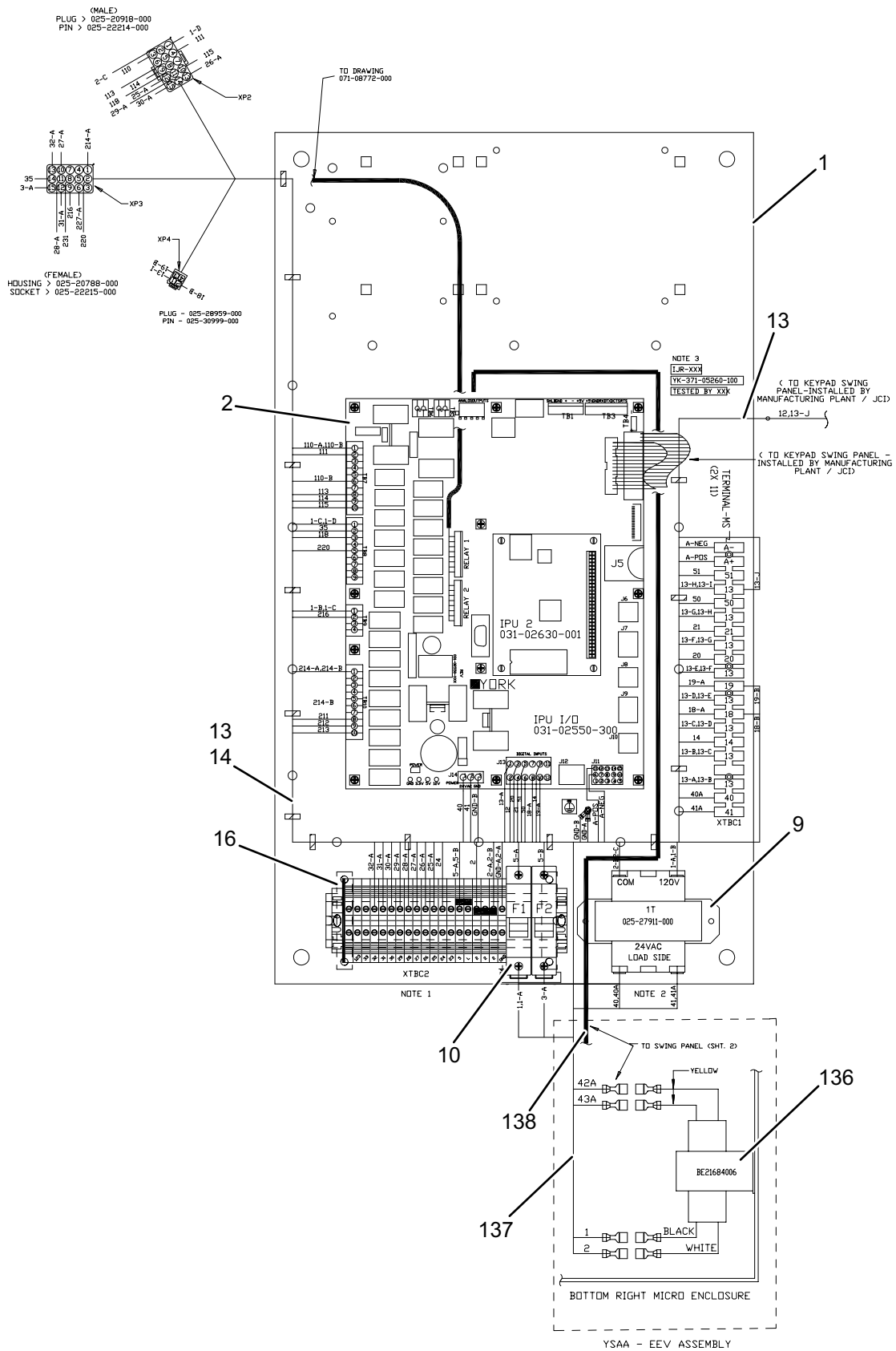


FIGURE 23 - MICRO PANEL ASSEMBLY

LD23145

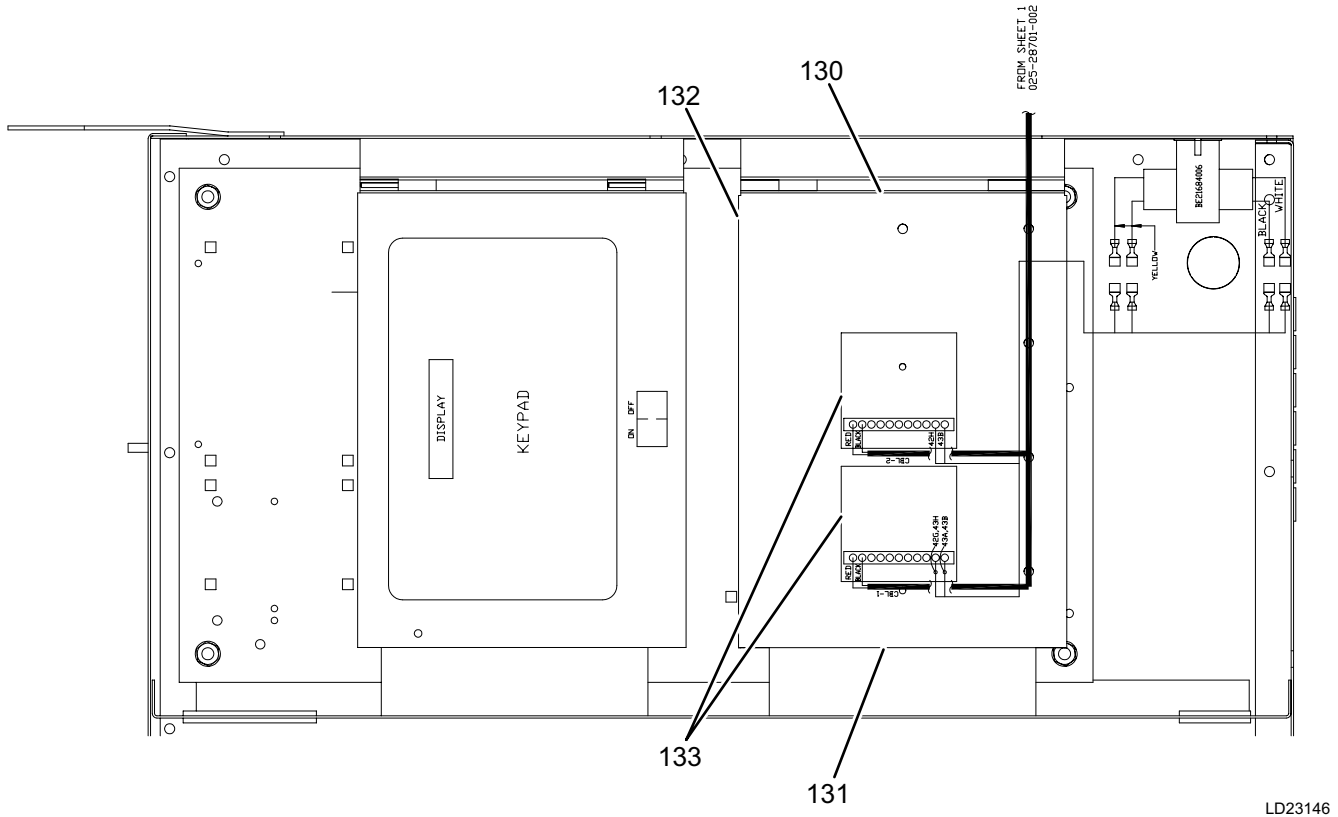
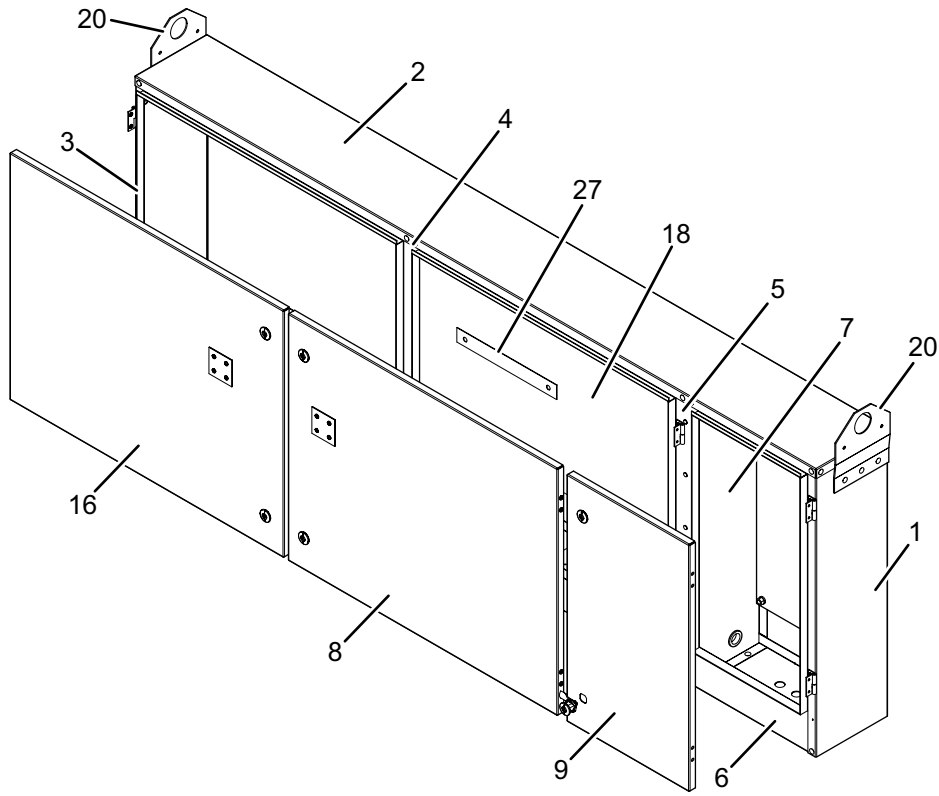


FIGURE 24 - MICRO PANEL ASSEMBLY

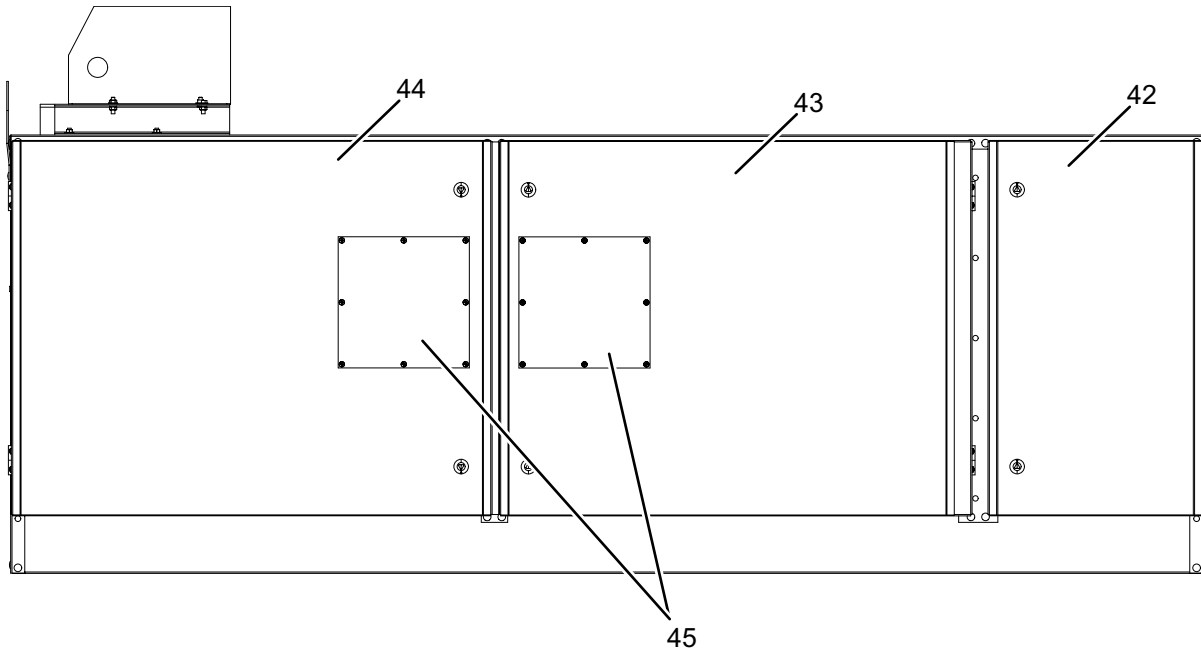
TABLE 29 - POWER ENCLOSURE

ITEM	PIN 20=	DESCRIPTION	PART NUMBER	SAP NUMBER	QUANTITY	FIGURE
1	A, H, B, S	Panel Elec Enclosure Side	075-74544-000	757218	1	25
2	A, H, B, S	Panel Elec Enclosure Top	075-74542-000	757216	1	25
3	A, H, B, S	Panel Elec Enclosure Side	075-74543-000	757217	1	25
4	A, H, B, S	Support Door Elec Enclosure	075-74545-000	757219	1	25
5	A, H, B, S	Support Elec Enclosure	075-74557-000	757230	1	25
6	A, H, B, S	Panel Elec Enclosure Btm	075-74552-000	757223	1	25
7	A, H, B, S	Panel Elec Enclosure	075-74556-000	757229	1	25
8	A, H	Door Elec Enclosure	075-74558-000	757231	1	25
	B, S		075-74558-500	757232	1	25
9	A, H	Door Control Elec Enclosure	075-74554-000	757226	1	25
	B, S		075-74554-500	757227	1	25
10	A, H, B, S	Hinge, Lift Off, Male, Left	026-44091-003	576996	6	25
11	A, H, B, S	Hinge, Lift Off, Female, Right	026-44091-004	556617	6	25
12	A, H, B, S	Hinge, Lift Off, Male, Right	026-44091-001	556616	6	25
13	A, H, B, S	Hinge, Lift Off, Female, Left	026-44091-002	576987	6	25
16	A, H	Door Elec Enclosure	075-74553-000	757224	1	25
	B, S		075-74553-500	757225	1	25
18	A, H, B, S	Panel Rear Elec Enclosure	075-74555-000	757228	1	25
20	A, H, B, S	Bracket Lifting Elec Enclosure	075-74912-000	757514	2	25
27	A, H, B, S	Bar Elec Enclosure	075-74918-000	757515	1	25
42	B, S	Cover Door Panel Control	075-84343-000	560103	1	26
43	B, S	Cover Door Panel Elec R/H	075-84344-001	759414	1	26
44	B, S	Cover Door Panel Elec L/H	075-84345-001	759415	1	26
45	B, S	Plate Patch Sunshield	075-90123-000	760207	2	26



LD22486

FIGURE 25 - POWER ENCLOSURE



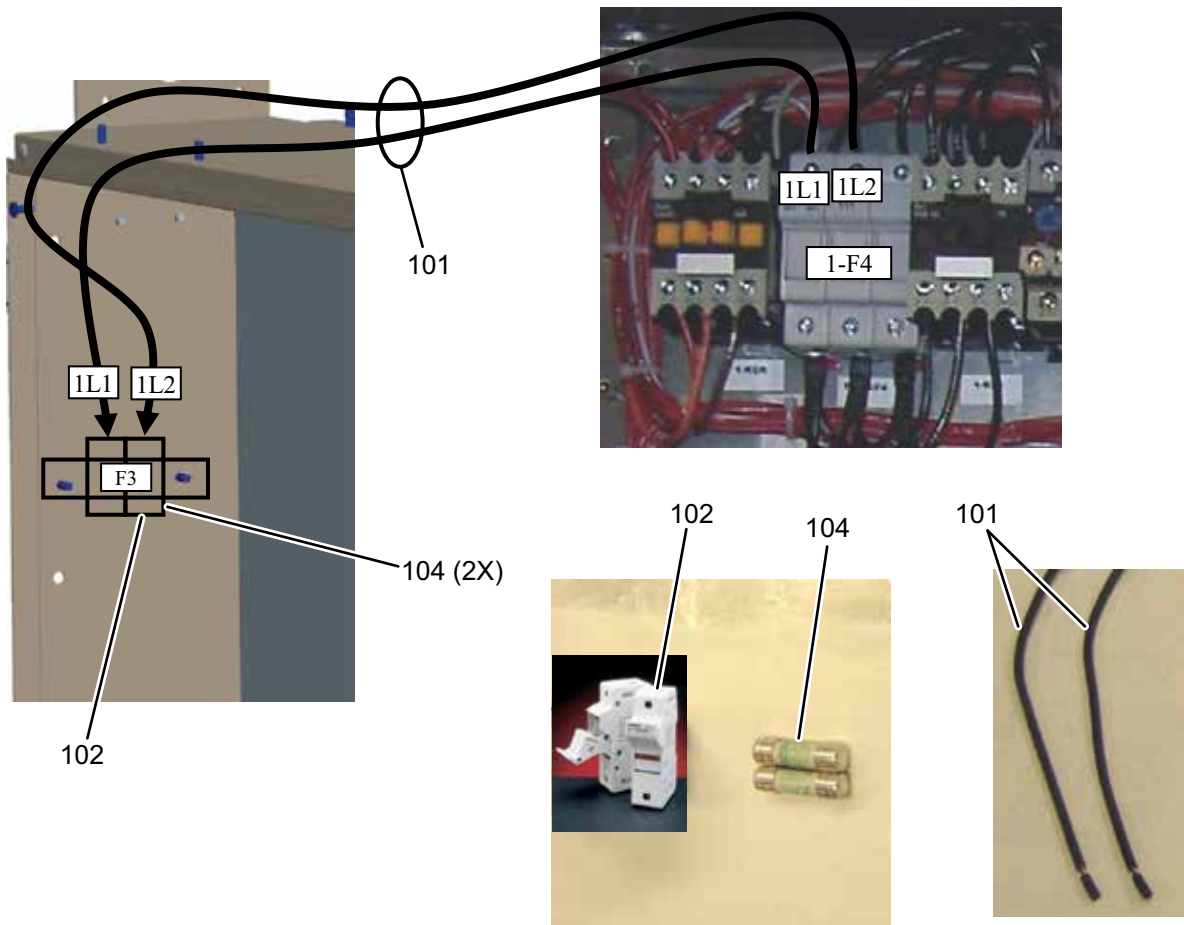
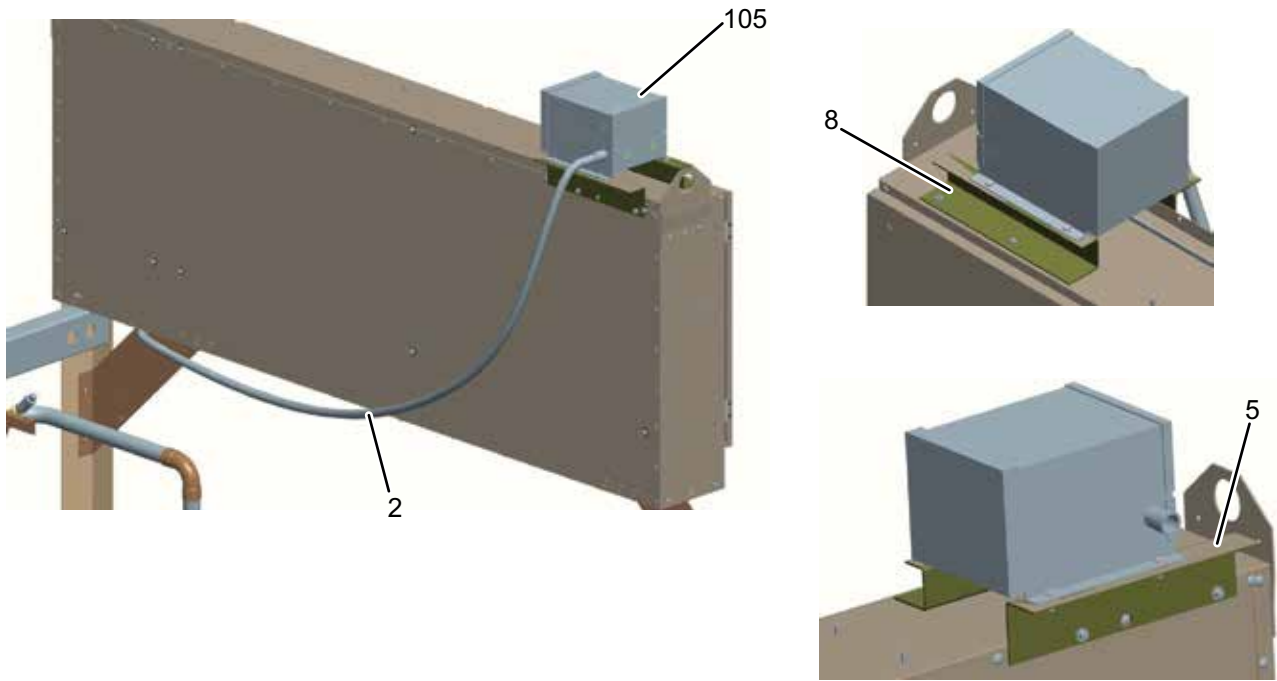
LD22487

FIGURE 26 - POWER ENCLOSURE

TABLE 30 - CONTROL TRANSFORMER

ITEM	DESCRIPTION	PART NUMBER	SAP NUMBER	QUANTITY	FIGURE
2	Harness Transformer	575-72382-232	411543	1	27
	Conduit 1/2" Conduit	025-30473-000	618151	9 Ft.	27
	Connector (End "X") 1/2" 90 Deg Angle Connector (Blk)	025-31316-000	435091	1	27
	Connector (End "Y")1/2" Straight Connector	025-31310-000	556337	1	27
5	Bracket Trans Support	075-82817-000	758880	1	27
8	Bracket Trans Support	075-82816-000	758879	1	27
101	Harness Fuse	592-41065-046	727036	1	27
102	Fuseholder 2 Pole 30 Amp 600V	025-37864-000	739484	1	27
104	Fuse, Cartridge Type 20 Amp	025-35908-000	117823	2	27
105	Transformer P=240.0-240.0V 1Ph 2000.0Vam	025-37605-000	117946	1	27
106	Din Rail 6" Lg	025-41733-000	445014	1	*

NOTE: Items with an * are NOT represented.



LD22742

FIGURE 27 - CONTROL TRANSFORMER

TABLE 31 - REFRIGERANT

DESCRIPTION	PART NUMBER	SAP NUMBER
Refrigerant R-134A (Bulk)	011-00569-000	728994

TABLE 32 - ELINK

DESCRIPTION	PART NUMBER	SAP NUMBER
E-Link W/Serial Ports (Lon)	025-44384-000	740489
E-Link Ipu-Ii Installation Kit	025-44659-000	740575
Sc-Eq Board	031-03610-000	5161465

TABLE 33 - VICTAULIC FLANGE KIT

DESCRIPTION	PART NUMBER	SAP NUMBER
Victaulic Flange Kit	023-19047-000	547177

TABLE 34 - VIBRATION ISOLATORS PART NUMBERS

NEOPRENE ISOLATOR CROSS REFERENCE (PIN 54 = N)				
**WEIGHT RANGE (LBS.)	WEIGHT RANGE (KG.)	MODEL PART NUMBER	COLOR	YORK PART NUMBER
Up to 826 lbs.	Up to 375 kg.	RD-3	CHARCOAL	029-25335-001
826 to 1689 lbs.	375 to 766 kg.	RD-4	BRICK RED	029-25335-002
1689 to ***4000 lbs.	766 to 1814 kg.	RD-4	CHARCOAL	029-25335-004
ONE INCH DEFLECTION SPRING ISOLATOR CROSS REFERENCE* (PIN 54 = 1) SEE NOTE BELOW				
*WEIGHT RANGE (LBS.)	WEIGHT RANGE (KG.)	MODEL PART NUMBER	COLOR	YORK PART NUMBER
Up to 435 lbs.	Up to 197 kg.	CP-1D-510	BLACK	029-25334-002
435 to 766 lbs.	197 to 347 kg.	CP-1D-900	DARK GREEN	029-25334-003
766 to 1021 lbs.	347 to 463 kg.	CP-1D-1200	GRAY	029-25334-004
1021 to 1157 lbs.	463 to 525 kg.	CP-1D-1360	WHITE	029-25334-005
1157 to ***1785 lbs.	525 to 810 kg.	CP-1D-1785N	GRAY/RED	029-25334-006
Up to 1149 lbs.	Up to 521 kg.	C2P-1D-1350	DARK PURPLE	029-25334-008
1149 to 1531 lbs.	521 to 694 kg.	C2P-1D-1800	DARK GREEN	029-25334-009
1531 to 2041 lbs.	694 to 926 kg.	C2P-1D-2400	GRAY	029-25334-010
2041 to 2313 lbs.	926 to 1049 kg.	C2P-1D-2720	WHITE	029-25334-012
2313 to ***3570 lbs.	1049 to 1619 kg.	C2P-1D-3570N	GRAY/ RED	029-25334-013
TWO INCH DEFLECTION, SEISMIC SPRING ISOLATOR CROSS REFERENCE (PIN 54 = S)				
*WEIGHT RANGE (LBS.)	WEIGHT RANGE (KG.)	MODEL PART NUMBER	COLOR	YORK PART NUMBER
Up to 392 lbs.	Up to 178 kg.	Y2RSI-2D-460	GREEN	029-25336-006
392 to 605 lbs.	178 to 274 kg.	Y2RSI-2D-710	DARK BROWN	029-25336-008
605 to 741 lbs.	274 to 336 kg.	Y2RSI-2D-870	RED	029-25336-009
741 to 1021 lbs.	336 to 463 kg.	Y2RSI-2D-1200N	RED/BLACK	029-25336-010
1021 to 1438 lbs.	463 to 652 kg.	Y2RSI-2D-1690	PINK	029-25336-011
1438 to 2245 lbs.	652 to 1018 kg.	Y2RSI-2D-2640N	PINK/GRAY	029-25336-012
2245 to 2619 lbs.	1018 to 1188 kg.	Y2RSI-2D-2870N	PINK/GRAY/ORANGE	029-25336-013
2619 to ***3740 lbs.	1188 to 1697 kg.	Y2RSI-2D-3280N	PINK/GRAY/DARK BROWN	029-25336-014

* Value is de-rated by 15%.

** Value is de-rated by 25%.

*** Value is not de-rated.

Note: One Inch Deflection Spring Isolators must all be of the same class for the entire unit.
 Must use C2P's at all locations on a selected unit, or all CP's.

NOTES



5000 Renaissance Drive, New Freedom, Pennsylvania USA 17349
Copyright © by Johnson Controls 2017
Form 150.76-RP1 (1217)
Issue Date: December 8, 2017
Supersedes 150.76-RP1.1 (816)

800-861-1001
www.johnsoncontrols.com

Subject to change without notice. Printed in USA
ALL RIGHTS RESERVED