



BY JOHNSON CONTROLS

Form Number: 160.81-M1 (LS05)

408

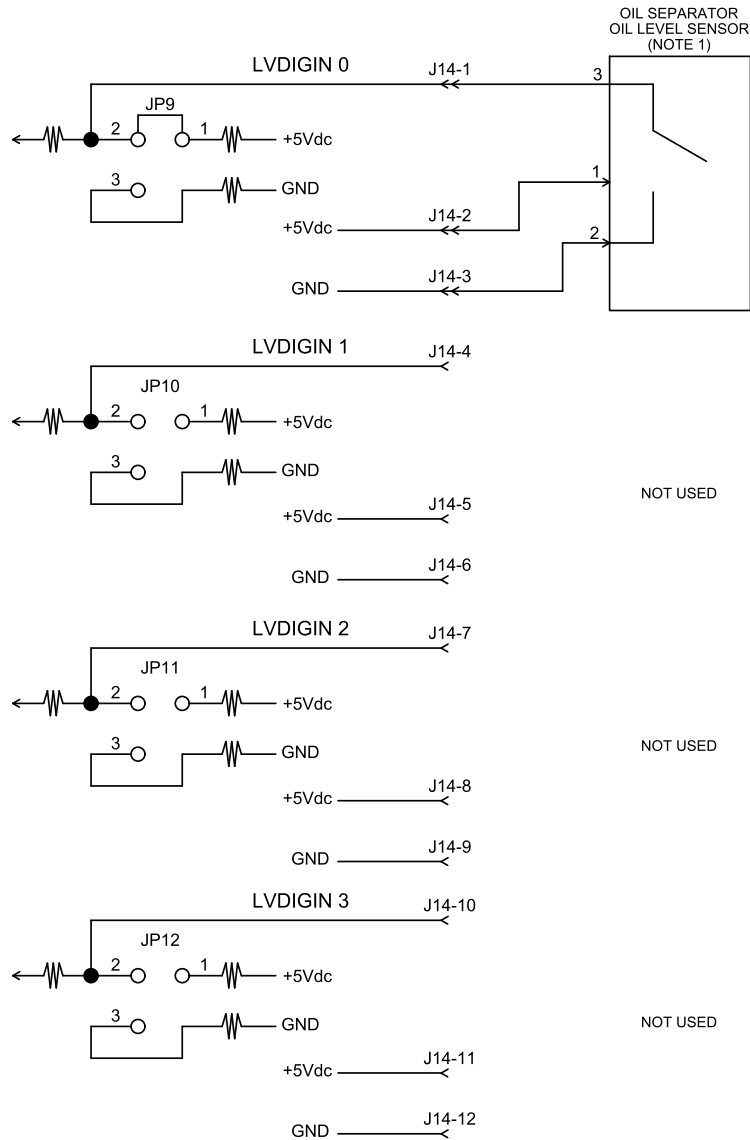
Supersedes: None

LITERATURE SUPPLEMENT

File with: 160.81-M1 (507)

Subject: Revised Wiring Diagram - YR Style A, B & C OptiView Control Panel

Use the wiring diagram below to replace page 49 in Form 160.81-M1 (507). Note that wire numbers on the oil separator oil level sensor have been revised.



**NOTE:**

1. New production chillers in late 2007 are equipped with an Oil Level Sensor. Input supported by software version C.OPT.05.08.303 (or later) Sensor is closed with sufficient oil level. It is shown in the faulted condition.

**FIG. 9B – LOW VOLTAGE DIGITAL INPUTS**



BY JOHNSON CONTROLS