



YPC Absorption Chiller Repair Parts Bulletin

Parts Bulletin

Supersedes 155.17-RP1 (SB2)(795) Form 155.17-RP1 (SB2)(696)

Date: June 18, 1996
To: District Offices
Subject: Buffalo Pump Repair Kits
Units Affected: ParaFlow™ Absorption Units

The following is a list of the various pump kits which are currently available through the Baltimore Parts Center. This list is for Buffalo Pump kits only. Please refer to Forms 155.17-RP3 (2/95) and 155.17-RP1 (9/93) for available Nikkiso Pump kits. Only the kits will be stocked at the parts center. If a full pump assembly is needed (i.e. pump conversion), please notify the parts center in advance so they may order the pump. The new motor with pump repair kits come with multi-voltage motors ; 208/230/460 VAC. Frequencies of either 50 or 60 HZ are available.

1. Using the table below and figures 1 and 2 on the following page, determine the type of repair kit needed.
2. Determine the correct York Part Number from either the pump name plate or the pump sections of Forms 155.17-RP1 (Renewal Parts G-Series Units) and 155.17-RP3 (Renewal Parts S-Series Units).
3. Refer to the tables on pages 3 and 4. Locate the York Part Number of the damaged pump in the left hand column of the appropriate table. Go to the right until the desired pump kit (vertical column) is reached. This is the pump kit number. Tables are divided into G or S series units and by frequency (50 or 60 HZ).
4. Refer to Form 155.17-N4 (Buffalo Pump Service Manual) to install kits.

Parts List (Refer to figures 1 and 2 on following page)

Pump Repair Kit		Motor Bearing Repair Kit		New Motor / Pump Repair Kit		Casing Gasket	
Item#	Part	Item#	Part	Item#	Part	Item#	Part
9	Casing Wearing Ring	9	Casing Wearing Ring	9	Casing Wearing Ring	65	Casing Gasket Kit ¹
10	Motor Side Wearing Ring	10	Motor Side Wearing Ring	10	Motor Side Wearing Ring		
15A	Impeller Locking Screw	15A	Impeller Locking Screw	15A	Impeller Locking Screw		
16B	Impeller Locking Washer	16B	Impeller Locking Washer	16B	Impeller Locking Washer		
17	Feather Key, Impeller	17	Feather Key, Impeller	17	Feather Key, Impeller		
65	Casing Gasket Kit ¹	65	Casing Gasket Kit ¹	65	Casing Gasket Kit ¹		
		210A	Bearing	201	Motor (Multi Voltage)		
		210	Bearing (Front End)				

1- Includes an "O" ring gasket and a flat gasket (Use only one as found in pump).

Buffalo Kits and Pumps are available only through the Baltimore Parts Center (1-800-932-1701).

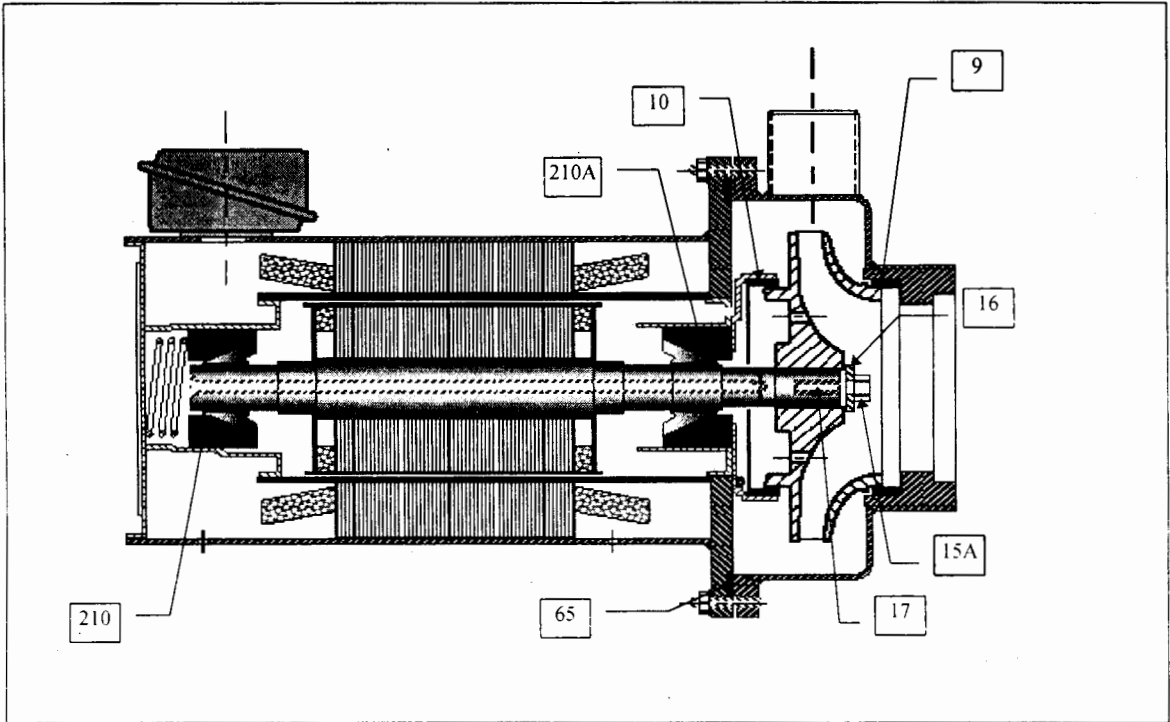


Fig. 1 - Single Ended Pump Diagram

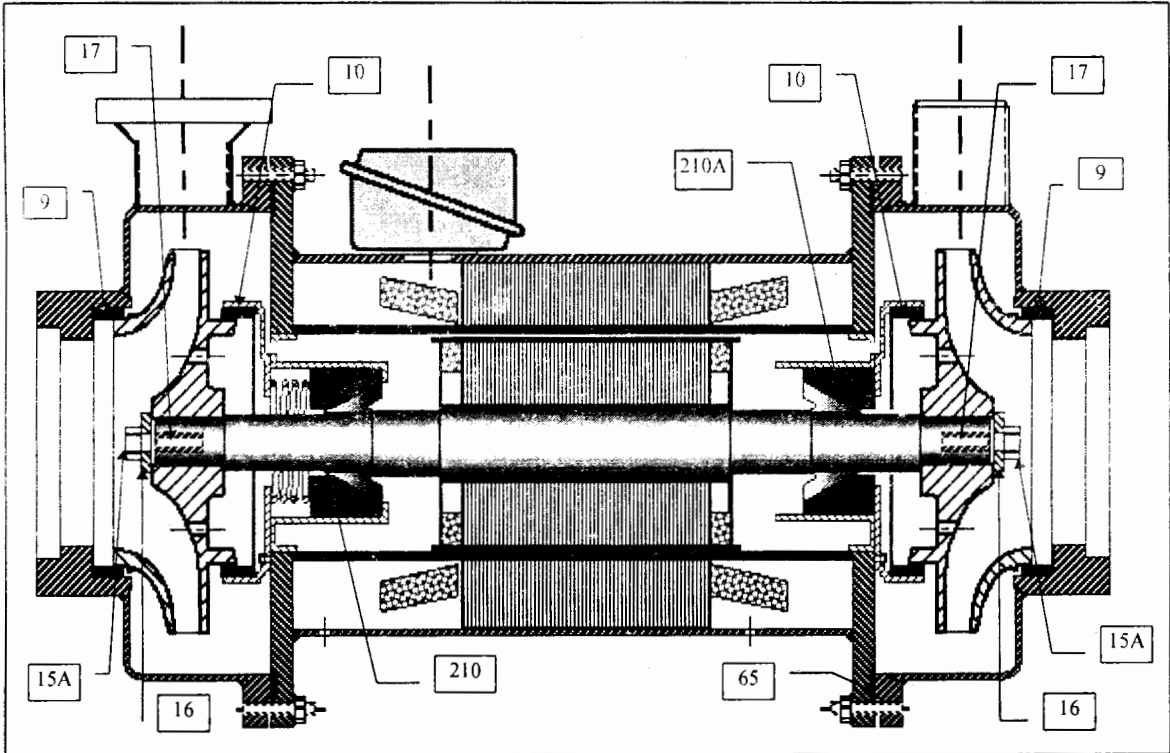


Fig. 2 - Double Ended Pump Diagram

ParaFlow™ G Unit Buffalo Pump Repair Kits

York Pump Part #	Buffalo Pump #	Repair Kits			
		Pump	Motor	New Motor w/ Pump	Casing Gasket
60 HZ					
026-32304-001	YK8011-01	026-32832-000	026-33825-000	024-26935-000	028-12599-000
026-32304-002	YK709-01	026-32389-000	026-32391-000	024-26934-000	028-12700-000
026-32304-003	YK8011-02	026-32832-000	026-33825-000	024-26935-000	028-12599-000
026-32304-004	YK8011-03	026-32832-000	026-33825-000	024-26935-000	028-12599-000
026-32304-005	YK709-02	026-32389-000	026-32391-000	024-26934-000	028-12700-000
026-32304-006	YK8011-04	026-32390-000	026-32392-000	024-26937-000	028-12599-000
026-32304-007	YK8011-05	026-32390-000	026-32392-000	024-26936-000	028-12599-000
026-32304-008	YK8011-06	026-32390-000	026-32392-000	024-26936-000	028-12599-000
026-32304-009	YK8011-07	026-32832-000	026-33825-000	024-26935-000	028-12599-000
026-32304-010	YK8011-08	026-32390-000	026-32392-000	024-26937-000	028-12599-000
026-32304-011	YK8011-09	026-32390-000	026-32392-000	024-26937-000	028-12599-000
026-32304-012	YK8011-10	026-32390-000	026-32392-000	024-26937-000	028-12599-000
026-32304-013	YK8011-11	026-32390-000	026-32392-000	024-26936-000	028-12599-000
026-32304-014	YK709-03	026-32389-000	026-32391-000	024-26934-000	028-12700-000
026-32304-015	YK709-04	026-32389-000	026-32391-000	024-26934-000	028-12700-000
026-32304-016	YK8011-12	026-32832-000	026-33825-000	024-26935-000	028-12599-000
026-32304-022	YK8011-16	026-32390-000	026-32392-000	024-26937-000	028-12599-000
50 HZ					
026-32378-001	YK8011-01-1	026-32832-000	026-33825-000	026-33843-000	028-12599-000
026-32378-002	YK709-01-1	026-32389-000	026-32391-000	026-33842-000	028-12700-000
026-32378-003	YK8011-02-1	026-32832-000	026-33825-000	026-33843-000	028-12599-000
026-32378-004	YK8011-03-1	026-32832-000	026-33825-000	026-33843-000	028-12599-000
026-32378-005	YK709-02-1	026-32389-000	026-32391-000	026-33842-000	028-12700-000
026-32378-006	YK8011-04-1	026-32390-000	026-32392-000	026-33848-000	028-12599-000
026-32378-007	YK8011-05-1	026-32390-000	026-32392-000	026-33844-000	028-12599-000
026-32378-008	YK8011-06-1	026-32390-000	026-32392-000	026-33844-000	028-12599-000
026-32378-009	YK8011-07-1	026-32832-000	026-33825-000	026-33843-000	028-12599-000
026-32378-010	YK8011-08-1	026-32390-000	026-32392-000	026-33848-000	028-12599-000
026-32378-011	YK8011-09-1	026-32390-000	026-32392-000	026-33848-000	028-12599-000
026-32378-012	YK8011-10-1	026-32390-000	026-32392-000	026-33848-000	028-12599-000
026-32378-013	YK8011-11-1	026-32390-000	026-32392-000	026-33844-000	028-12599-000
026-32378-014	YK709-03-1	026-32389-000	026-32391-000	026-33842-000	028-12700-000
026-32378-015	YK709-04-1	026-32389-000	026-32391-000	026-33842-000	028-12700-000
026-32378-016	YK8011-12-1	026-32832-000	026-33825-000	026-33843-000	028-12599-000
026-32378-022	YK8011-16-1	026-32390-000	026-32392-000	026-33848-000	028-12599-000

ParaFlow™ S Unit Buffalo Pump Repair Kits

York Pump Part #	Buffalo Pump #	Repair Kits			
		Pump	Motor	New Motor w/ Pump	Casing Gasket
60 HZ					
026-33600-001	P8-106	026-33828-000	026-33826-000	024-26938-000	028-12913-000
026-33600-002	P8-106	026-33828-000	026-33826-000	024-26938-000	028-12913-000
026-33600-003	66M-709	026-32389-000	026-32391-000	024-26934-000	028-12700-000
026-33600-004	66M-709	026-32389-000	026-32391-000	024-26934-000	028-12700-000
026-33601-001	66R-709/609	026-33829-000 ¹	026-33827-000 ²	024-26939-000	028-12914-000 ³
026-33601-002	66V-709/609	026-33829-000 ¹	026-33827-000 ²	024-27206-000	028-12914-000 ³
026-33874-001	215ZB 8011	026-32390-000	026-32392-000	024-26937-000	028-12599-000
026-33874-002	215ZB 8011	026-32390-000	026-32392-000	024-26937-000	028-12599-000
026-33874-003	215ZB 8011	026-32390-000	026-32392-000	024-26937-000	028-12599-000
026-33874-004	66M709	026-32389-000	026-32391-000	024-26934-000	028-12700-000
026-33874-005	66M709	026-32389-000	026-32391-000	024-26934-000	028-12700-000
026-33874-006	215R 8011	026-32390-000	026-32392-000	024-26936-000	028-12599-000
50 HZ					
026-33821-001	P8-106	026-33828-000	026-33826-000	026-33845-000	028-12913-000
026-33821-002	P8-106	026-33828-000	026-33826-000	026-33845-000	028-12913-000
026-33821-003	66R-709	026-32389-000	026-32391-000	026-34458-000	028-12700-000
026-33821-004	66R-709	026-32389-000	026-32391-000	026-34458-000	028-12700-000
026-33822-001	66R-709/609	026-33829-000 ¹	026-33827-000 ²	026-33846-000	028-12914-000 ³
026-33822-002	66V-709/609	026-33829-000 ¹	026-33827-000 ²	026-33847-000	028-12914-000 ³
026-33875-001	215ZB 8011	026-32390-000	026-32392-000	026-34459-000	028-12599-000
026-33875-002	215ZB 8011	026-32390-000	026-32392-000	026-34459-000	028-12599-000
026-33875-003	215ZB 8011	026-32390-000	026-32392-000	026-34459-000	028-12599-000
026-33875-004	66R709	026-32389-000	026-32391-000	026-34458-000	028-12700-000
026-33875-005	66R709	026-32389-000	026-32391-000	026-34458-000	028-12700-000
026-33875-006	215R 8011	026-32340-000	026-32392-000	026-34460-000	028-12599-000

Notes (for double ended pumps):

1. Two each of listed parts
2. Two each of listed parts except one of each motor bearing (1 Set).
3. Includes two "O" ring gaskets and two flat gaskets (use only one per casing as found in pump).