



**PACKAGED ROOFTOP
AIR CONDITIONING UNITS**

RENEWAL PARTS

New Release

FORM 100.50-RP3 (1004)

eco²

**50 THROUGH 105 TONS
R-407 AND R-22
REVISION C**



00406



ALLY

NOMENCLATURE

BASE MODEL NUMBER

BASE PRODUCT TYPE				NOMINAL CAPACITY			APPLICATION		REFRIGERANT	VOLTAGE		DUCT LOCATIONS		DESIGN SPECIAL	
1	2	3	4	5	6	7	8	9	10	11	12	13	14	15	16
Y				0	5	0			B	1	7	B		C	
	P			0	5	5			C	2	8	L		X	
				0	6	0				4	6	R		S	
		A		0	6	5	C			4	5	B			
		L		0	7	0	N			5	8	R			
				0	7	5									
				0	8	0	G								
				0	8	5	E								
				0	9	0	S								
				0	9	5	H								
				1	0	5	C								
							V								
							F								

WARNING

HIGH VOLTAGE

is used in the operation of this equipment.

DEATH OR SERIOUS INJURY

may result if personnel fail to observe safety precautions.

Work on electronic equipment should not be undertaken unless the individual(s) has (have) been trained in the proper maintenance of the equipment and is (are) familiar with its potential hazards.

Shut off the power supply to the equipment before beginning work and follow lockout procedures. When working inside equipment with the power off, take care to discharge every capacitor likely to hold dangerous potential.

Be careful not to contact high voltage connections when installing or operating this equipment.

LOW VOLTAGE

DO NOT be misled by the term "low voltage". Voltages as low as 50 volts may cause death.

LIST OF TABLES

Table Number	Title	Page Number
1	Door Assemblies.....	7
2	Door Latch and Hinge Hardware	11
3	Exterior Upright Assemblies	13
4	Panel Assemblies	17
5	Hood Assemblies and Filters	21
6	Chimney Assemblies	22
7	Exhaust Dampers and Actuators	23
8	Exhaust Fans.....	24
9	Exhaust Fan Motors, ODP , 3 Phase, 60 Hertz	25
10	Exhaust Fan Motors, TEFC , 3 Phase, 60 Hertz	26
11	Exhaust Fan One-Inch Spring Isolators.....	27
12	Exhaust Fan Motors, ODP and TEFC , 3 Phase, 50 Hertz	27
13	Exhaust Fan One-Half-Inch Neoprene Isolators.....	28
14	Exhaust Fan Two-Inch Spring Isolators.....	28
15	Isolator Part Number Identification by Color	29
16	Exhaust Fan Replacement Parts	29
17	Return Fans.....	30
18	Return Fan Motors, ODP , 3 Phase, 60 Hertz	32
19	Return Fan Motors, ODP and TEFC , 3 Phase, 50 Hertz	33
20	Return Fan Motors, TEFC , 3 Phase, 60 Hertz	33
21	Return Fan Two-Inch Spring Isolators.....	34
22	Isolator Part Number Identification by Color	34
23	Return Fan One-Inch Spring Isolators	34
24	Return Fan Replacement Parts	35
25	Economizer Dampers and Actuators	36
26	Unit Filters, Angle	40
27	Air Measurement Stations	40
28	Unit Filters, Rigid	42
29	Evaporator Coils, Nonflexsys (R407C and R22)	46
30	Evaporator Coils, Flexsys (R407C and R22).....	46
31	Evaporator Face Dampers, Actuators, and Relays	48
32	Supply Fans.....	49
33	Supply Fan Motors, ODP , 3 Phase, 60 Hertz	52
34	Supply Fan Motors, TEFC , 3 Phase, 60 Hertz	53
35	Supply Fan (Forward-Curved) One-Inch Spring Isolators	54
36	Supply Fan Motors, ODP and TEFC , 3 Phase, 50 Hertz	54
37	Supply Fan (Airfoil) One-Inch Spring Isolators	55
38	Supply Fan (Forward-Curved) Two-Inch Spring Isolators	55
39	Isolator Part Number Identification by Color	56
40	Supply Fan (Airfoil) Two-Inch Spring Isolators	56
41	Supply Fan Replacement Parts.....	57
42	Supply Fan Motor Variable Frequency Drives	60
43	Supply Fan Motor VFD Bypass Boxes	60
44	Return Fan Motor Variable Frequency Drives	62
45	Exhaust/Return Fan Motor VFD Bypass Boxes	62
46	Exhaust Fan Motor Variable Frequency Drives.....	62
47	VFD Bypass Box Replacement Parts.....	64
48	Flexsys Bypass Dampers and Actuators	70
49	Staged Gas Heat Parts.....	71

LIST OF TABLES - CONTINUED

Table Number	Title	Page Number
50	Modulating Gas Heat Parts	75
51	Steam Heat Coils (Standard Cabinet)	79
52	Hot Water Heat Coils (Standard Cabinet)	79
53	Hot Water Heat Piping Parts (Standard Cabinet)	81
54	Electric Heater Coils	86
55	Door and Side Panel Assemblies (Extended Cabinet)	88
56	Exterior Upright Assemblies (Extended Cabinet)	92
57	Filters, Rigid (Extended Cabinet)	96
58	Hot Water Heat Coils (Extended Cabinet)	100
59	Steam Heat Coils (Extended Cabinet)	100
60	Hot Water Heat Piping Parts (Extended Cabinet)	102
61	Condenser Coil Lanced Panels	107
62	Condenser Coil Wire Guards	107
63	Condenser Fans and Fan Guards	110
64	Condenser Fan Motors	110
65	Condenser Fan Motor Variable Frequency Drives	110
66	Condenser Coils (R22)	113
67	Condenser Discharge Headers (R407C)	113
68	Condenser Liquid Headers (R407C)	113
69	Condenser Coils (R407C)	113
70	Condenser Liquid Headers (R22)	114
71	Condenser Discharge Headers (R22)	114
72	Refrigerant Piping Parts (R407C and R22)	116
73	Compressors, Scroll (R407C)	118
74	Compressors, Scroll (R22)	119
75	Thermal Expansion Valves and Distributors	126
76	Compressor Sound Blanket Kits	127
77	Compressor Crankcase Heaters	127
78	Transducers, Switches, and Sensors	128
79	Return Fan Motor Overload Relays	129

LIST OF FIGURES

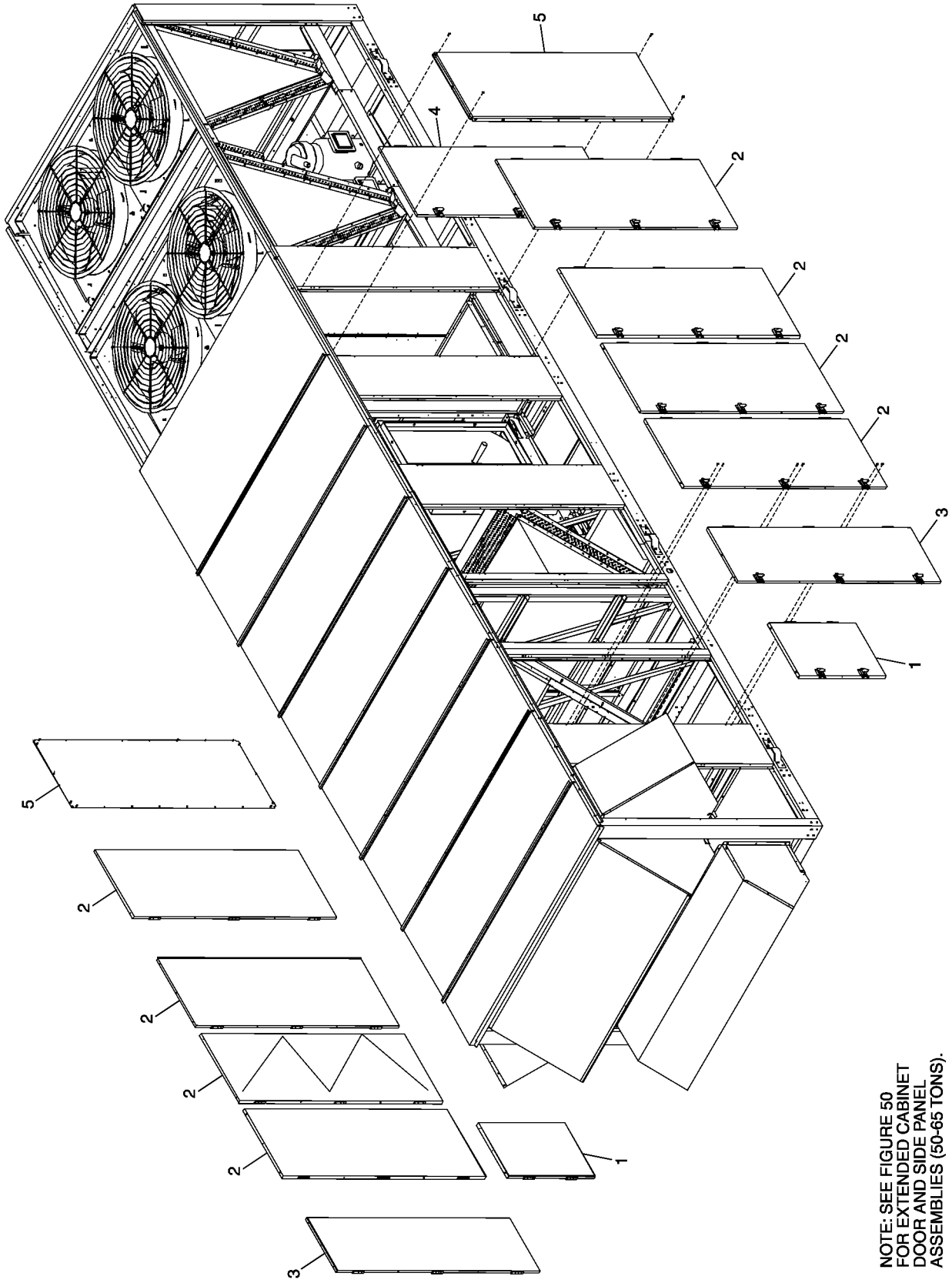
Figure Number	Title	Page Number
1	Door Assemblies and Side Panel Assemblies (50-65 Tons)	8
2	Door Assemblies (70-85 Tons)	9
3	Door Assemblies (90-105 Tons)	10
4	Door Latch and Hinge Hardware	12
5	Exterior Upright Assemblies (50-65 Tons)	14
6	Side Panel Assemblies and Exterior Upright Assemblies (70-85 Tons)	15
7	Side Panel Assemblies and Exterior Upright Assemblies (90-105 Tons)	16
8	Side, Rear, and Exhaust Hoods and Top, Bottom, and Return Panels (50-65 Tons)	18
9	Side, Rear, and Exhaust Hoods and Top and Bottom Panels (70-85 Tons)	19
10	Side, Rear, and Exhaust Hoods and Top and Bottom Panels (90-105 Tons)	20
11	Chimney Assemblies	22
12	Exhaust Dampers and Actuators	23
13	Exhaust Fans, Motors, Isolators, and Drive Components	24
14	Exhaust Fan Replacement Parts	30
15	Return Fans, Motors, Isolators, and Drive Components	31
16	Return Fan Replacement Parts	35
17	Economizer Dampers and Air Measurement Stations	37
18	Economizer Damper Actuators	38
19	Economizer Damper and Actuator Linkage	39
20	Angle UNIT Filters	41
21	Rigid Unit Filters (50-65 Tons)	43
22	Rigid Unit Filters (70-85 Tons)	44
23	Rigid Unit Filters (90-105 Tons)	45
24	Evaporator Coils, Nonflexsys	47
25	Evaporator Coils (Flexsys), Face Dampers, Actuators, and Relays	48
26	Supply Fans, Motors, Isolators, and Drive Components (50-65 Tons)	50
27	Supply Fans, Motors, Isolators, and Drive Components (70-105 Tons)	51
28	Supply Fan (Forward-Curved) Replacement Parts	58
29	Supply Fan (Airfoil) Replacement Parts	59
30	Supply Fan Motor VFD and VFD Bypass Box	61
31	Exhaust Fan Motor VFD and VFD Bypass Box	63
32	VFD Bypass Box Replacement Parts (6-25 Motor FLA)	65
33	VFD Bypass Box Replacement Parts (23-50 Motor FLA)	66
34	VFD Bypass Box Replacement Parts (48-65 Motor FLA)	67
35	VFD Bypass Box Replacement Parts (60-110 Motor FLA)	68
36	VFD Bypass Box Replacement Parts (110-200 Motor FLA)	69
37	Flexsys Bypass Dampers and Actuators	70
38	Staged Gas Heat Arrangements (50-65 Tons)	72
39	Staged Gas Heat Arrangements (70-105 Tons)	73
40	Staged Gas Heat Parts (70-105 Tons)	74
41	Modulating Gas Heat Arrangements (50-65 Tons)	76
42	Modulating Gas Heat Arrangements (70-105 Tons)	77
43	Modulating Gas Heat Parts (70-105 Tons)	78
44	Hot Water and Steam Heat Coils (Standard Cabinet)	80
45	Hot Water Heat 2-Way Piping for 0.75, 1.00, and 1.25 Valves (Standard Cabinet)	82
46	Hot Water Heat 2-Way Piping for 1.50 and 2.00 Valves (Standard Cabinet)	83
47	Hot Water Heat 3-Way Piping for 0.75, 1.00, and 1.25 Valves (Standard Cabinet)	84
48	Hot Water Heat 3-Way Piping for 1.50 and 2.00 Valves (Standard Cabinet)	85
49	Electric Heater Coils	87

LIST OF FIGURES - CONTINUED

Figure Number	Title	Page Number
50	Door and Side Panel Assemblies (50-65 Tons) (Extended Cabinet)	89
51	Door and Side Panel Assemblies (70-85 Tons) (Extended Cabinet)	90
52	Door and Side Panel Assemblies (90-105 Tons) (Extended Cabinet)	91
53	Exterior Upright Assemblies (50-65 Tons) (Extended Cabinet)	93
54	Exterior Upright Assemblies (70-85 Tons) (Extended Cabinet)	94
55	Exterior Upright Assemblies (90-105 Tons) (Extended Cabinet)	95
56	Filters, Rigid (50-65 Tons) (Extended Cabinet)	97
57	Filters, Rigid (70-85 Tons) (Extended Cabinet)	98
58	Filters, Rigid (90-105 Tons) (Extended Cabinet)	99
59	Hot Water and Steam Heat Coils (Extended Cabinet)	101
60	Hot Water Heat 2-Way Piping for 0.75, 1.00, and 1.25 Valves (Extended Cabinet)	103
61	Hot Water Heat 2-Way Piping for 1.50 and 2.00 Valves (Extended Cabinet)	104
62	Hot Water Heat 3-Way Piping for 0.75, 1.00, and 1.25 Valves (Extended Cabinet)	105
63	Hot Water Heat 3-Way Piping for 1.50 and 2.00 Valves (Extended Cabinet)	106
64	Condenser Coil Lanced Panels and Wire Guards (50-65 Tons)	108
65	Condenser Coil Lanced Panels and Wire Guards (70-105 Tons)	109
66	Condenser Fans, Fan Guards, and Fan Motors	111
67	Condenser Fan Motor Variable Frequency Drives	112
68	Condenser Coils and Headers for R407C (50-65 and 80-105 Tons)	114
69	Condenser Coils and Headers for R407C and R22 (70-75 Tons)	115
70	Condenser Coils and Headers for R22 (50-65 and 80-105 Tons)	115
71	Refrigerant Suction and Discharge Piping (50-65 Tons)	120
72	Refrigerant Liquid Piping (50-65 Tons)	121
73	Refrigerant Hot Gas Piping (50-65 Tons)	122
74	Refrigerant Suction and Discharge Piping (70-105 Tons)	123
75	Refrigerant Liquid Piping (70-105 Tons)	124
76	Refrigerant Hot Gas Piping (70-105 Tons)	125
77	Compressor Crankcase Heater	127
78	Suction and Discharge Pressure Transducers and Safety Switches (50-65 Tons)	130
79	Suction and Discharge Pressure Transducers and Safety Switches (70-105 Tons)	131
80	Dirty Filter Switch and Magnehelic Gauge (Extended Cabinet)	132
81	Hot Water and Steam Heat Freezestat	133
82	Air Proving Switch and Supply Air Temperature Sensor	134
83	Evaporator Temperature Sensor (50-65 Tons)	135
84	Evaporator Temperature Sensor, Nonflexsys (70-105 Tons)	136
85	Evaporator Temperature Sensor, Flexsys (70-105 Tons)	137
86	Dirty Filter and Negative Pressure Switches	138
87	Economizer Section Transducers and Sensors	139
88	Outside Air Temperature Sensor (External)	140

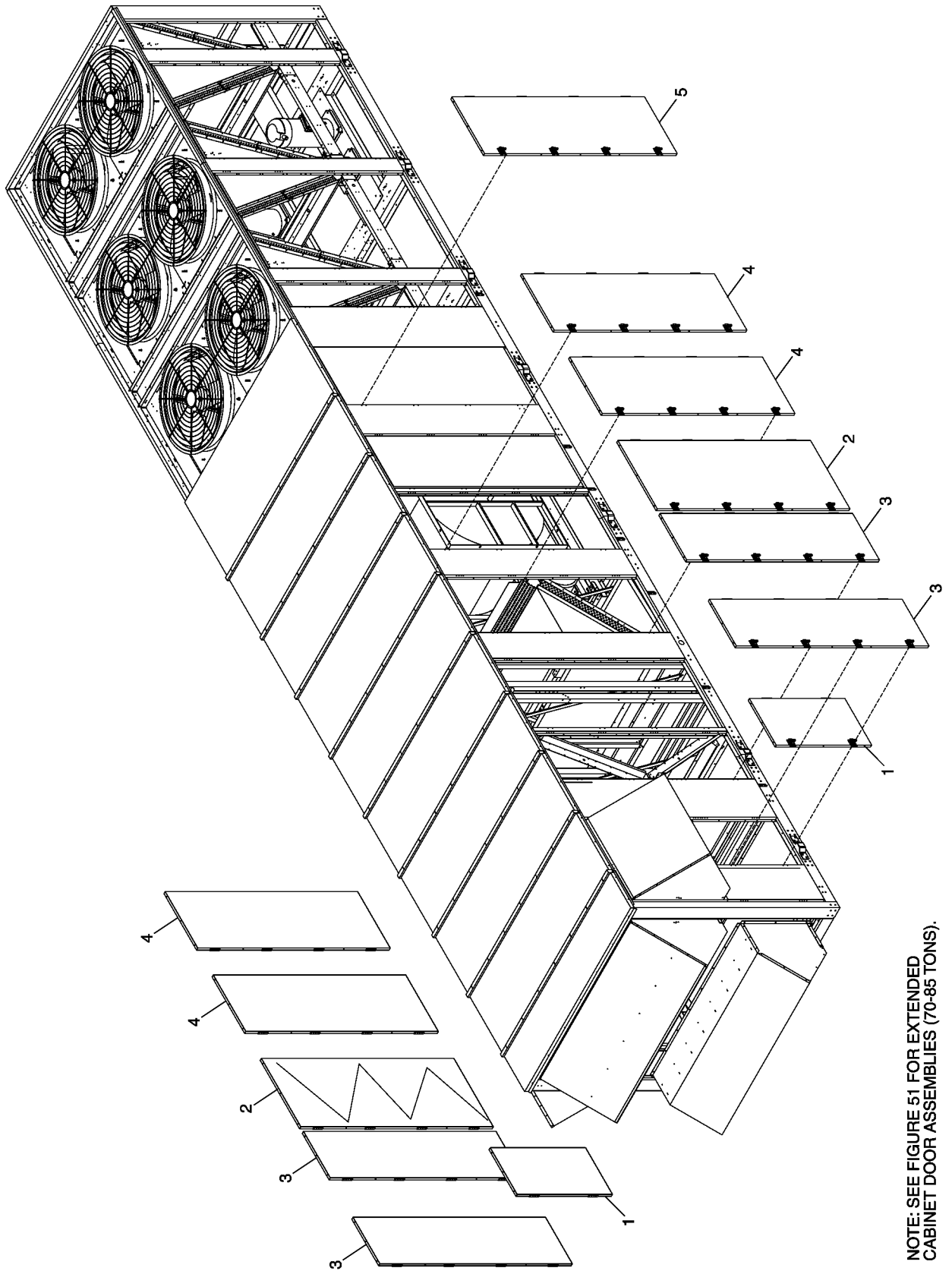
TABLE 1 - DOOR ASSEMBLIES

FIGURE	ITEM	UNIT SIZE	DESCRIPTION	PART NUMBER
1	1	50-65	Half Door Assembly	385-00429-100
1	2		Door Assembly, 27" x 82"	385-00429-101
1	3		Door Assembly, 21" x 82"	385-00429-102
1	4		Door Assembly, Gas Heat Option, 27" x 82"	385-00429-200
2	1	70-85	Half Door Assembly	385-00429-103
2	2		Door Assembly, 33" x 92"	385-00429-104
2	3		Door Assembly, 22" x 92"	385-00429-105
2	4		Door Assembly, 27" x 92"	385-00429-107
2	5		Door Assembly, Gas Heat Option, 27" x 92"	385-00429-203
3	1	90-105	Half Door Assembly	385-00429-106
3	2		Door Assembly, 27" x 92"	385-00429-107
3	3		Door Assembly, Gas Heat Option, 27" x 92"	385-00429-203



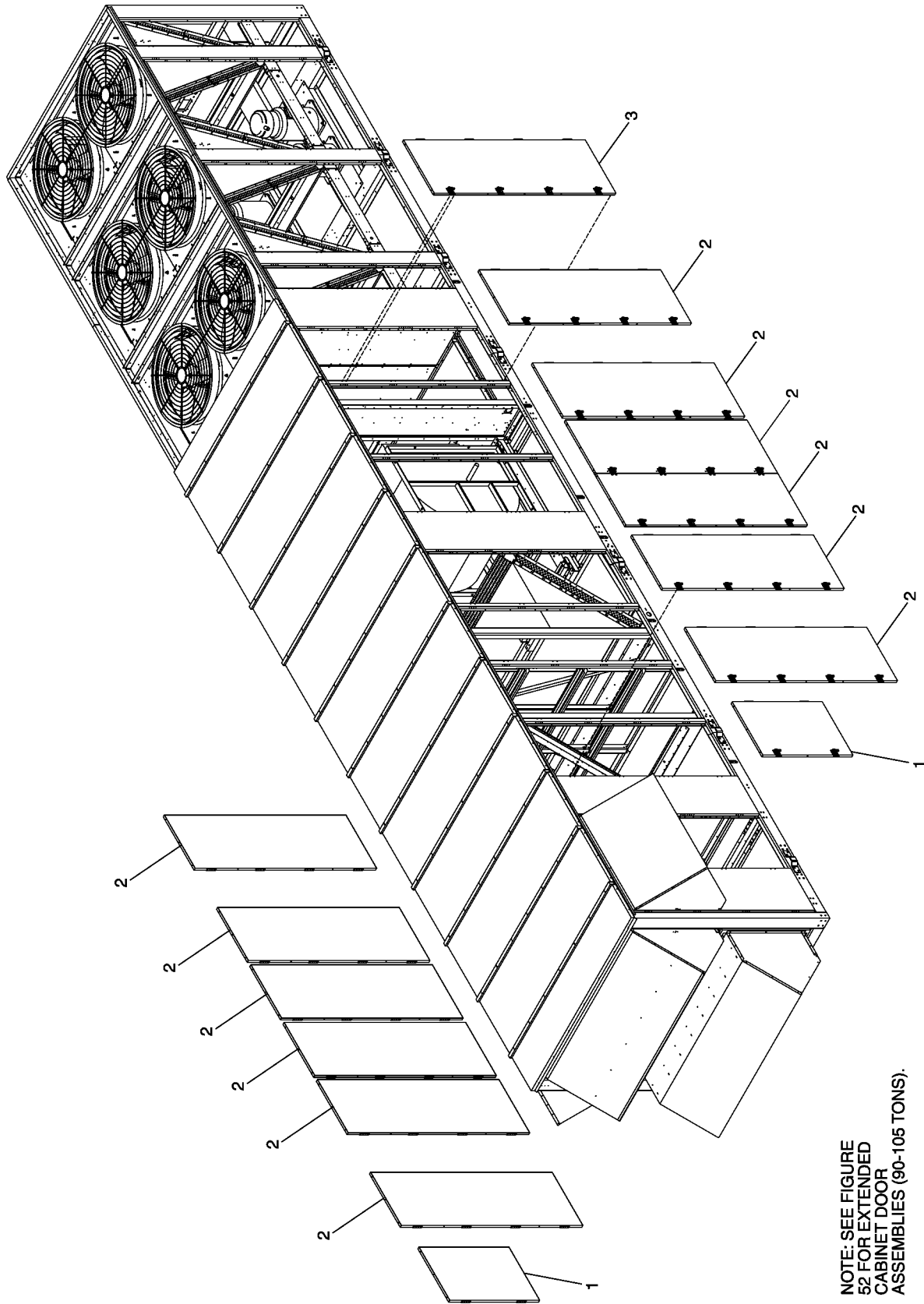
NOTE: SEE FIGURE 50
FOR EXTENDED CABINET
DOOR AND SIDE PANEL
ASSEMBLIES (50-65 TONS).

FIGURE 1 - DOOR ASSEMBLIES AND SIDE PANEL ASSEMBLIES (50-65 TONS)



NOTE: SEE FIGURE 51 FOR EXTENDED CABINET DOOR ASSEMBLIES (70-85 TONS).

FIGURE 2 - DOOR ASSEMBLIES (70-85 TONS)



NOTE: SEE FIGURE
52 FOR EXTENDED
CABINET DOOR
ASSEMBLIES (90-105 TONS).

FIGURE 3 - DOOR ASSEMBLIES (90-105 TONS)

TABLE 2 - DOOR LATCH AND HINGE HARDWARE

FIGURE	ITEM	DESCRIPTION	PART NUMBER
4	1	Screw, Hex Head, #10-24UNC x 1/2" Long	021-19520-000
4	2	Door Latch Catch	029-22028-000
4	3	Door Latch Tongue Guide	029-22029-000
4	4	Door Latch Back Plate	029-22030-000
4	5	Door Latch Tongue	029-22032-000
4	6	Tee Knob, 1/4-20UNC Threaded	029-22027-000
4	7	Washer, Plain, 5/16 ID x 3/4 OD	021-16165-000
4	8	Nut, Hex, 1/4-20UNC-2B	021-16151-000
4	9	Screw, Tapping, Panhead, #10 x 1/2" Long	021-13769-000
4	10	Door Hinge	029-22026-000

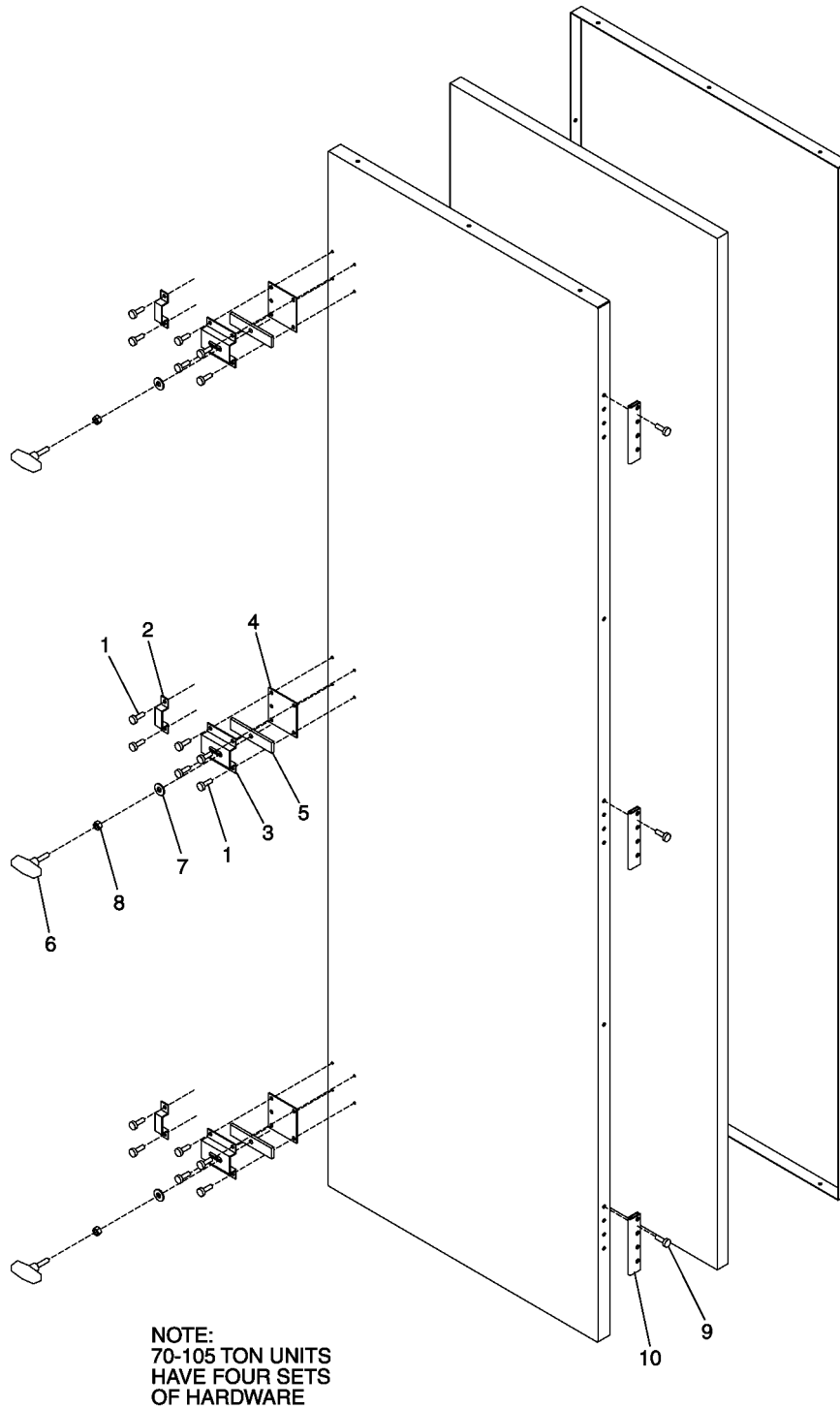
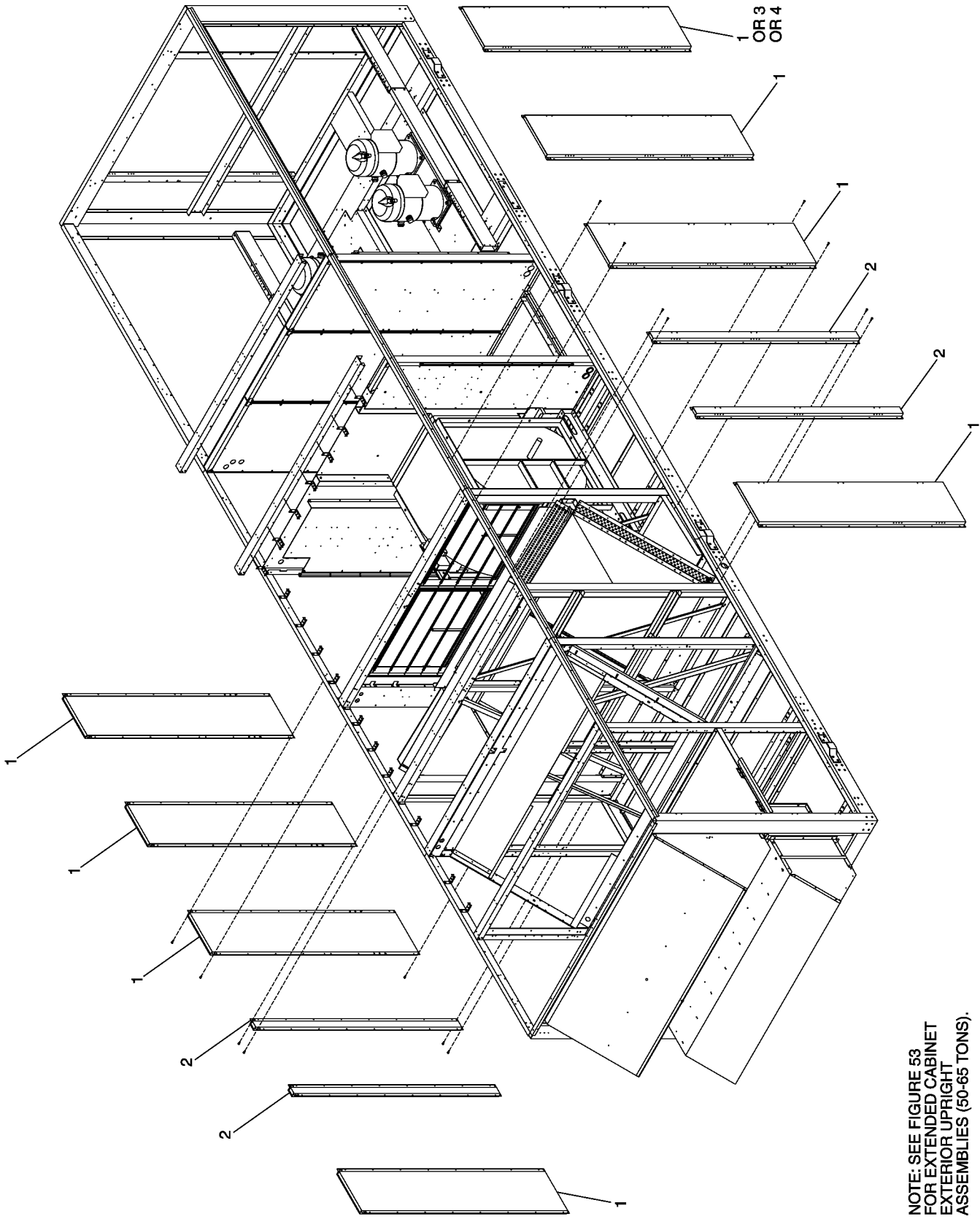


FIGURE 4 - DOOR LATCH AND HINGE HARDWARE

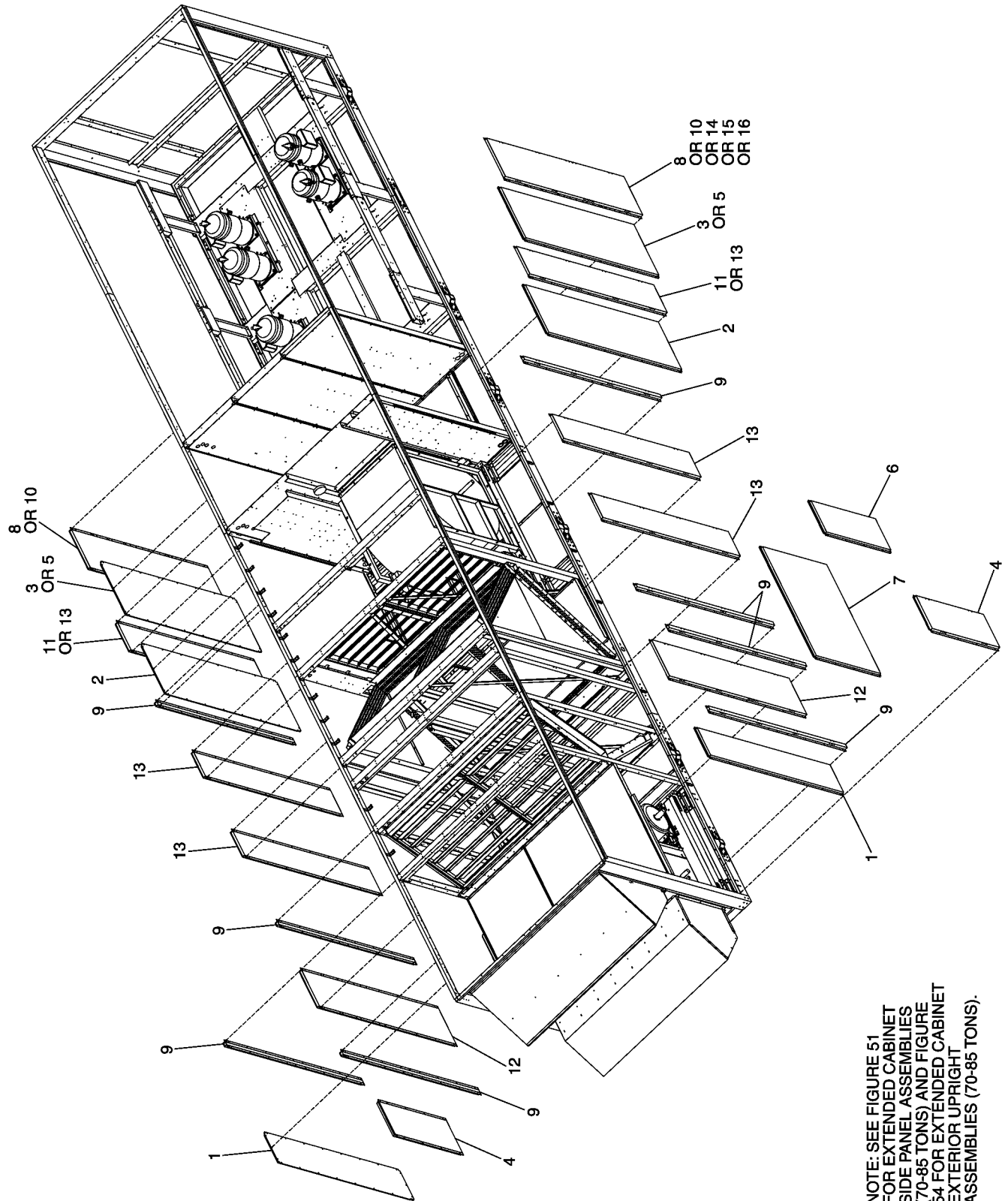
TABLE 3 - EXTERIOR UPRIGHT ASSEMBLIES

FIGURE	ITEM	UNIT SIZE	DESCRIPTION	PART NUMBER
5	1	50-65	Exterior Upright Assembly, 18.75" x 82"	385-00434-102
5	2		Exterior Upright Assembly, 4.75" x 82"	385-00434-103
5	3		Exterior Upright Assembly, Gas Heat, Single Flue, 18.75" x 82"	385-00434-200
5	4		Exterior Upright Assembly, Gas Heat, Double Flue, 18.75" x 82"	385-00434-201
6	8	70-85	Exterior Upright Assembly, 22.36" x 92"	385-00434-301
6	9		Exterior Upright Assembly, 3.75" x 92"	385-00434-302
6	10		Exterior Upright Assembly, 13" x 92"	385-00434-305
6	11		Exterior Upright Assembly, 16.64" x 92"	385-00434-306
6	12		Exterior Upright Assembly, 21.25" x 92"	385-00434-307
6	13		Exterior Upright Assembly, 15" x 92"	385-00434-308
6	14		Exterior Upright Assembly, Gas Heat, Single Flue, 22.36" x 92"	385-00434-400
6	15		Exterior Upright Assembly, Gas Heat, Double Flue, 22.36" x 92"	385-00434-401
6	16		Exterior Upright Assembly, Gas Heat, Triple Flue, 22.36" x 92"	385-00434-402
7	8		90-105	Exterior Upright Assembly, 24.53" x 92"
7	9	Exterior Upright Assembly, 22.36" x 92"		385-00434-301
7	10	Exterior Upright Assembly, 3.75" x 92"		385-00434-302
7	11	Exterior Upright Assembly, Filter Section, 3.75" x 92"		385-00434-303
7	12	Exterior Upright Assembly, 8.25" x 92"		385-00434-304
7	13	Exterior Upright Assembly, 13" x 92"		385-00434-305
7	14	Exterior Upright Assembly, Gas Heat, Single Flue, 22.36" x 92"		385-00434-400
7	15	Exterior Upright Assembly, Gas Heat, Double Flue, 22.36" x 92"		385-00434-401
7	16	Exterior Upright Assembly, Gas Heat, Triple Flue, 22.36" x 92"		385-00434-402



NOTE: SEE FIGURE 53
FOR EXTENDED CABINET
EXTERIOR UPRIGHT
ASSEMBLIES (50-65 TONS).

FIGURE 5 - EXTERIOR UPRIGHT ASSEMBLIES (50-65 TONS)



NOTE: SEE FIGURE 51 FOR EXTENDED CABINET SIDE PANEL ASSEMBLIES (70-85 TONS) AND FIGURE 54 FOR EXTENDED CABINET EXTERIOR UPRIGHT ASSEMBLIES (70-85 TONS).

FIGURE 6 - SIDE PANEL ASSEMBLIES AND EXTERIOR UPRIGHT ASSEMBLIES (70-85 TONS)

NOTE: SEE FIGURE 52 FOR EXTENDED CABINET SIDE PANEL ASSEMBLIES (90-105 TONS) AND FIGURE 55 FOR EXTENDED CABINET EXTERIOR UPRIGHT ASSEMBLIES (90-105 TONS).

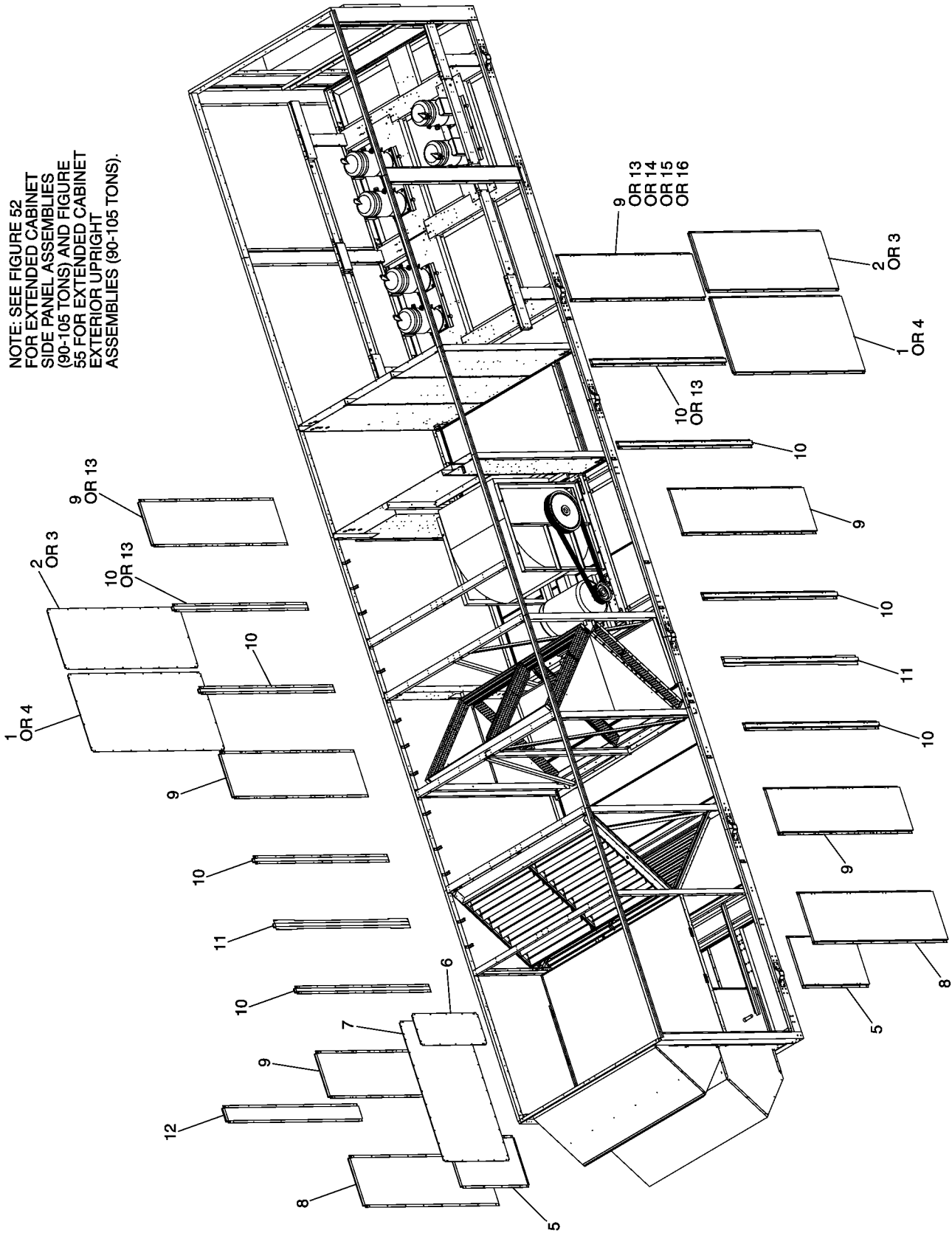


FIGURE 7 - SIDE PANEL ASSEMBLIES AND EXTERIOR UPRIGHT ASSEMBLIES (90-105 TONS)

TABLE 4 - PANEL ASSEMBLIES

FIGURE	ITEM	UNIT SIZE	DESCRIPTION	PART NUMBER
8	1	50-65	Top End Panel Assembly	385-00431-100
8	2		Bottom End Panel Assembly	385-00431-101
8	3		Return Fan Panel Assembly with Opening	385-00432-110
8	4		Return Fan Panel Assembly without Opening	385-00432-111
1	5		Side Panel Assembly, 27" x 82"	385-00431-102
9	1	70-85	Top End Panel Assembly	385-00431-100
6	1		Side Panel Assembly, 14.75" x 92"	385-00431-103
6	2		Side Panel Assembly, 25.365" x 92"	385-00431-104
6	3		Side Panel Assembly, 38" x 92"	385-00431-105
6	4		Half Panel Assembly	385-00431-106
9	2		Bottom End Panel Assembly	385-00431-109
6	5		Side Panel Assembly, 27" x 92"	385-00431-110
6	6		Side Panel Assembly, Return with Outside Air	385-00431-115
6	7		Side Panel Assembly, Return without Outside Air	385-00431-116
10	1		90-105	Top End Panel Assembly
7	1	Side Panel Assembly, 21.375" x 92"		385-00431-107
7	2	Side Panel Assembly, 41" x 92"		385-00431-108
10	2	Bottom End Panel Assembly		385-00431-109
7	3	Side Panel Assembly, 27" x 92"		385-00431-110
7	4	Side Panel Assembly, 35.216" x 92"		385-00431-111
7	5	Half Panel Assembly		385-00431-112
7	6	Side Panel Assembly, Return with Outside Air		385-00431-113
7	7	Side Panel Assembly, Return without Outside Air	385-00431-114	

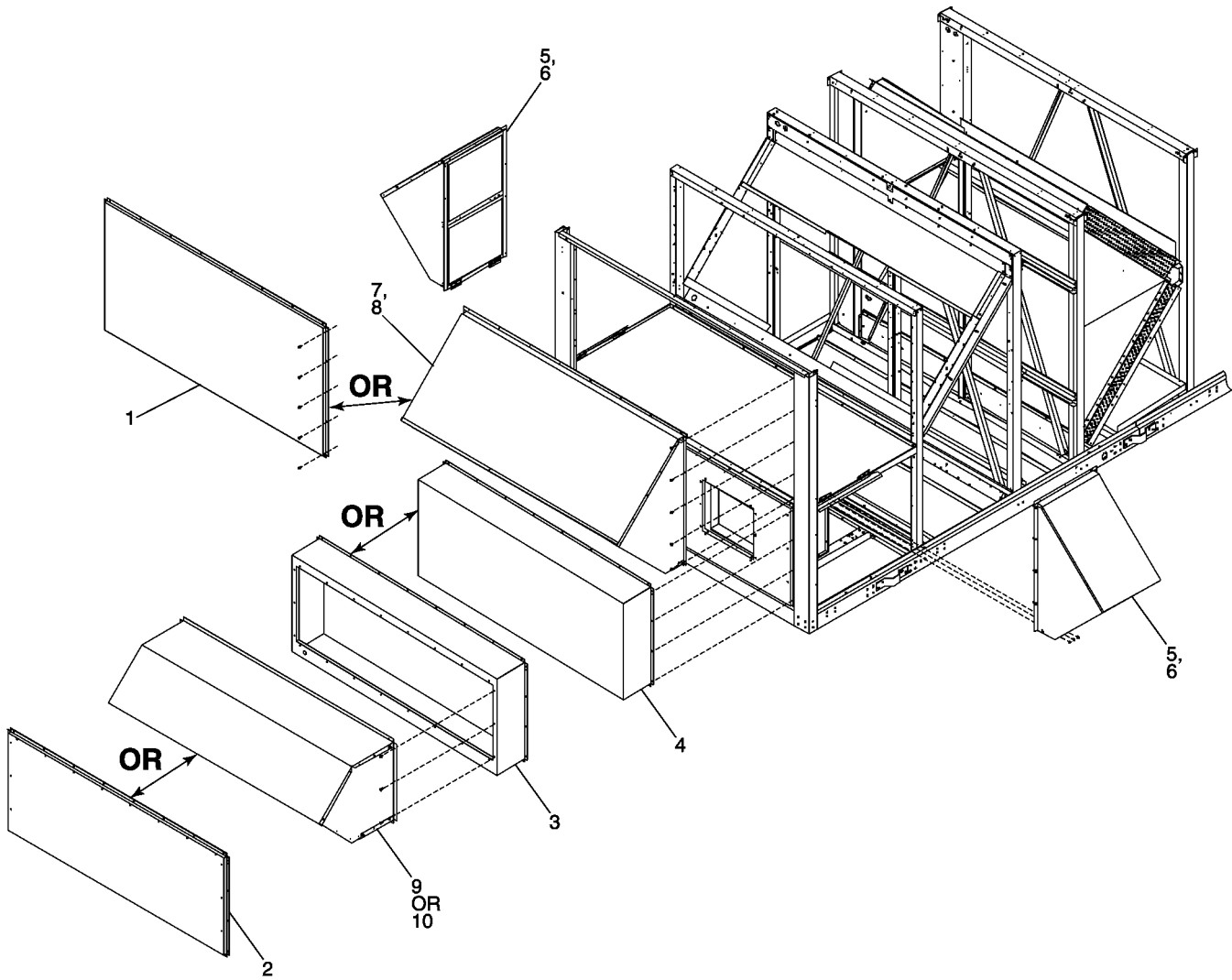


FIGURE 8 - SIDE, REAR, AND EXHAUST HOODS AND TOP, BOTTOM, AND RETURN PANELS (50-65 TONS)

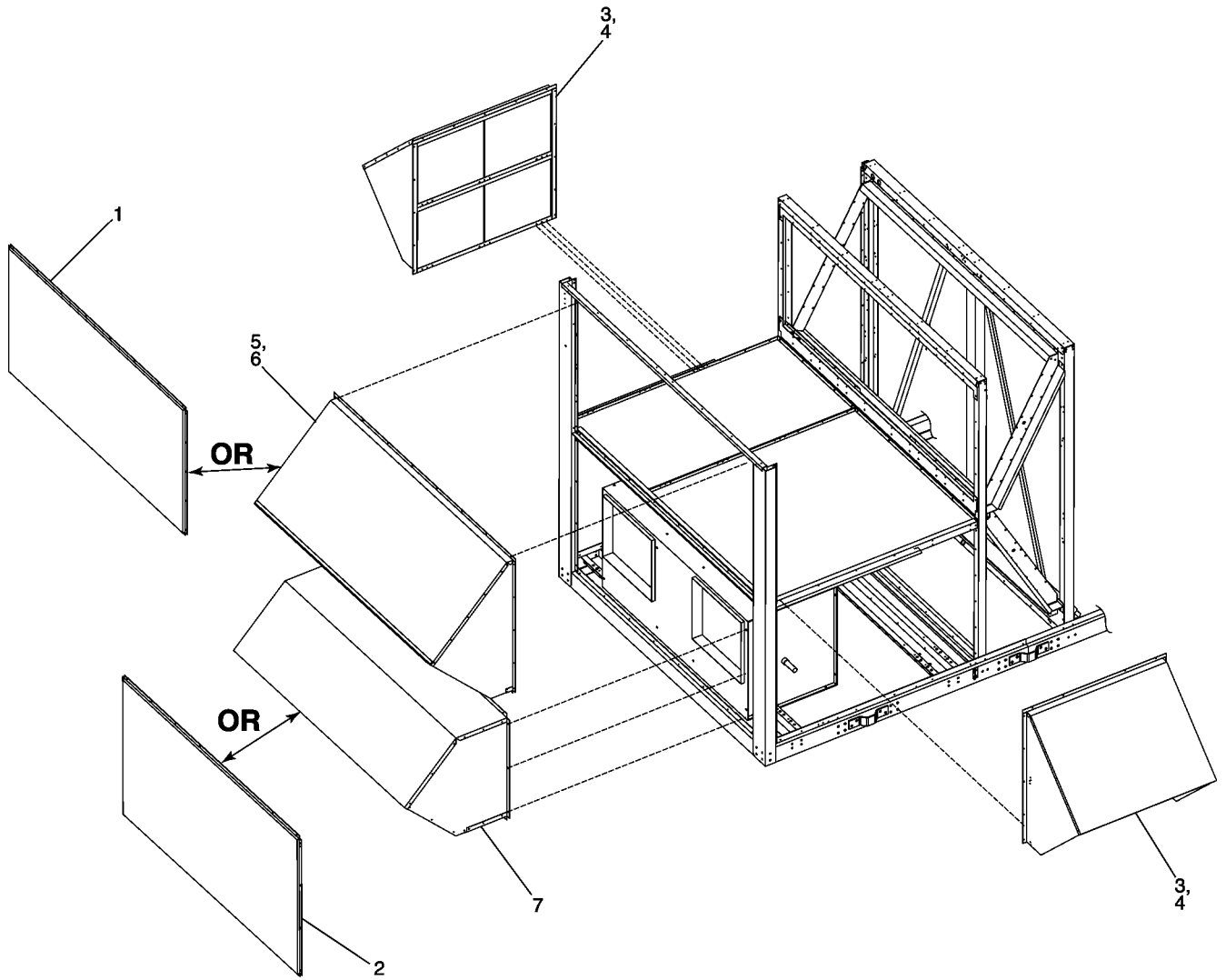


FIGURE 9 - SIDE, REAR, AND EXHAUST HOODS AND TOP AND BOTTOM PANELS (70-85 TONS)

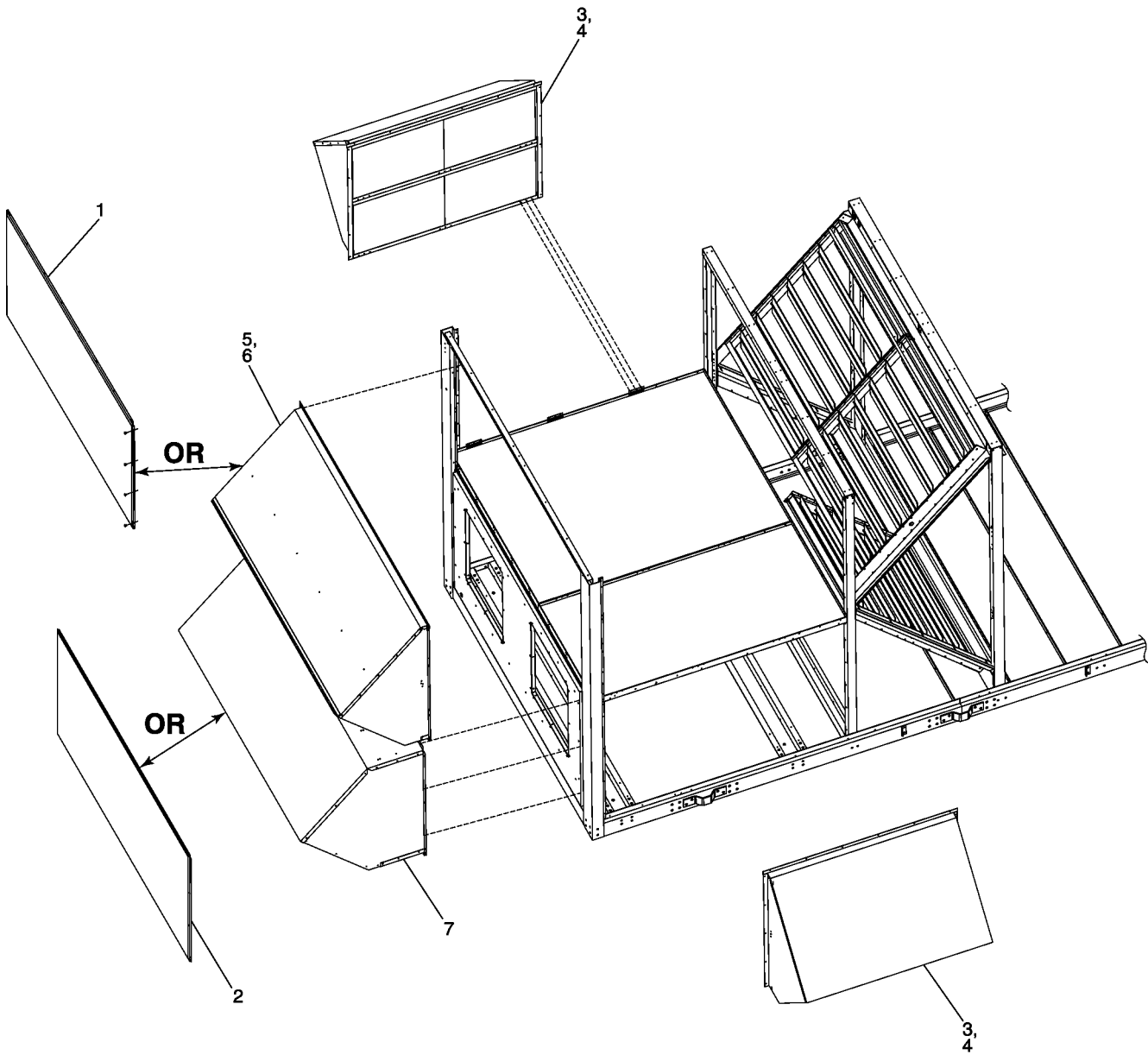


FIGURE 10 - SIDE, REAR, AND EXHAUST HOODS AND TOP AND BOTTOM PANELS (90-105 TONS)

TABLE 5 - HOOD ASSEMBLIES AND FILTERS

FIGURE	ITEM	UNIT SIZE	DESCRIPTION	PART NUMBER
8	5	50-65	Side Hood Assembly	385-00435-100
8	6		Cleanable Filter for Side Hood Assembly	026-36381-000
8	7		Rear Hood Assembly	385-00436-100
8	8		Cleanable Filter for Rear Hood Assembly	026-36381-000
8	9		Exhaust Hood Assembly	385-00437-100
8	10		Return Hood Assembly	385-00437-110
9	3	70-85	Side Hood Assembly	385-00435-200
9	4		Cleanable Filter for Side Hood Assembly	026-36381-000
9	5		Rear Hood Assembly	385-00436-100
9	6		Cleanable Filter for Rear Hood Assembly	026-36381-000
9	7		Exhaust Hood Assembly	385-00437-200
10	3	90-105	Side Hood Assembly	385-00435-300
10	4		Cleanable Filter for Side Hood Assembly	026-36405-000
10	5		Rear Hood Assembly	385-00436-100
10	6		Cleanable Filter for Rear Hood Assembly	026-36381-000
10	7		Exhaust Hood Assembly	385-00437-300

TABLE 6 - CHIMNEY ASSEMBLIES

FIGURE	ITEM	UNIT SIZE	DESCRIPTION	PART NUMBER
11	1	50-65	Gas Heat Chimney Assembly, Single	385-00438-202
11	2		Gas Heat Chimney Assembly, Double	385-00438-203
11	1	70-105	Gas Heat Chimney Assembly, Single	385-00438-213
11	2		Gas Heat Chimney Assembly, Double	385-00438-214
11	3		Gas Heat Chimney Assembly, Triple	385-00438-215

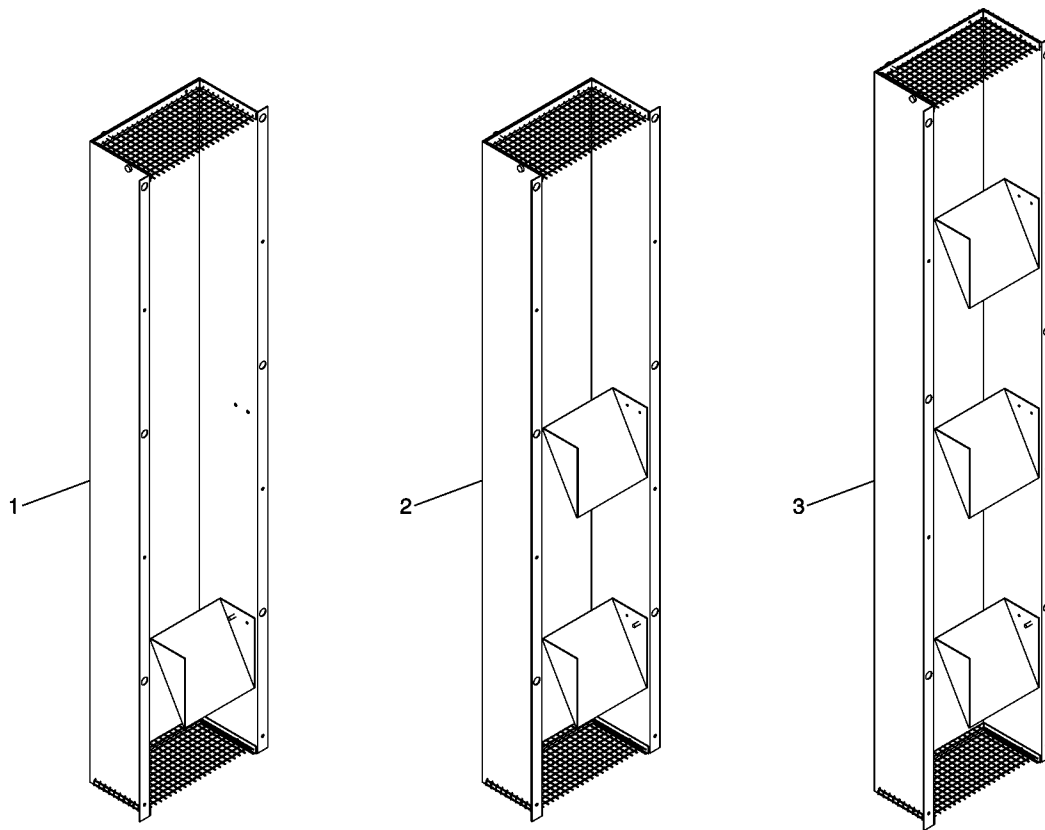


FIGURE 11 - CHIMNEY ASSEMBLIES

TABLE 7 - EXHAUST DAMPERS AND ACTUATORS

FIGURE	ITEM	UNIT SIZE	DESCRIPTION	PART NUMBER
12	1	50-65	Barometric Relief Damper, 26.5" x 75.5"	026-40702-000
12	1		Control Damper, 26.5" x 75.5"	026-40701-000
12	1	70-85	Barometric Relief Damper, 32" x 75.5"	026-40702-001
12	1		Control Damper, 32" x 75.5"	026-40701-001
12	1	90-105	Barometric Relief Damper, 37.75" x 75.5"	026-40702-002
12	1		Control Damper, 37.5" x 75.5"	026-40701-002
12	2	50-105	Actuator, JCI	025-35774-016
12	2		Actuator, Belimo	025-30958-009
12	3		Bracket, Actuator Mounting	085-01432-000

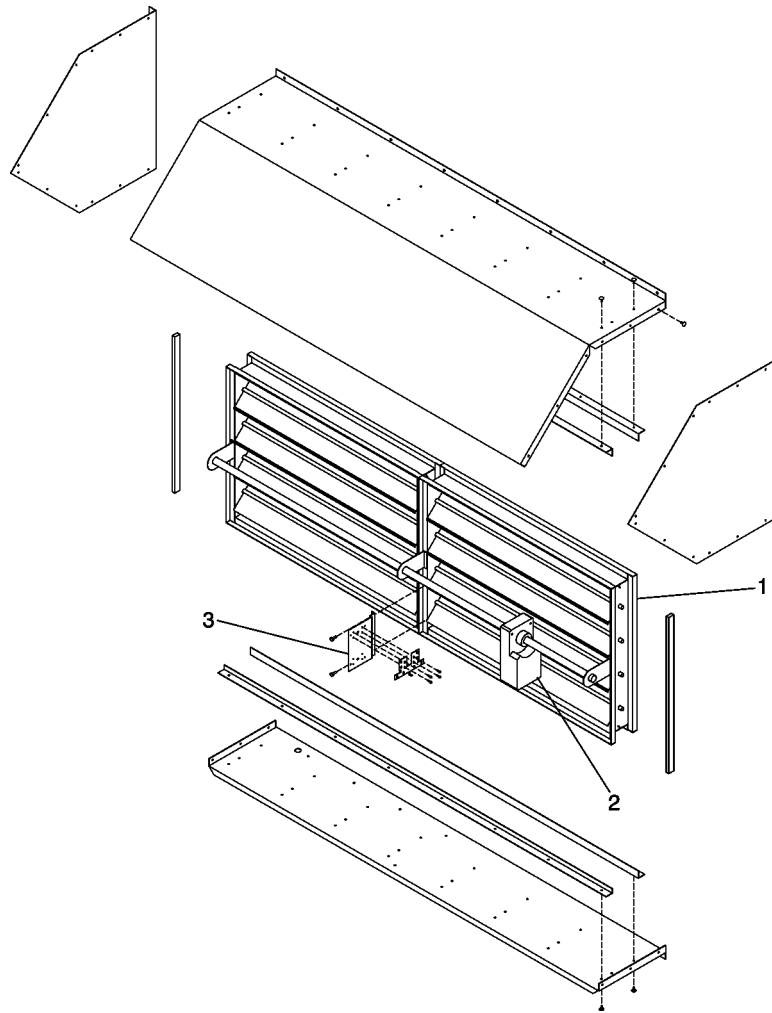
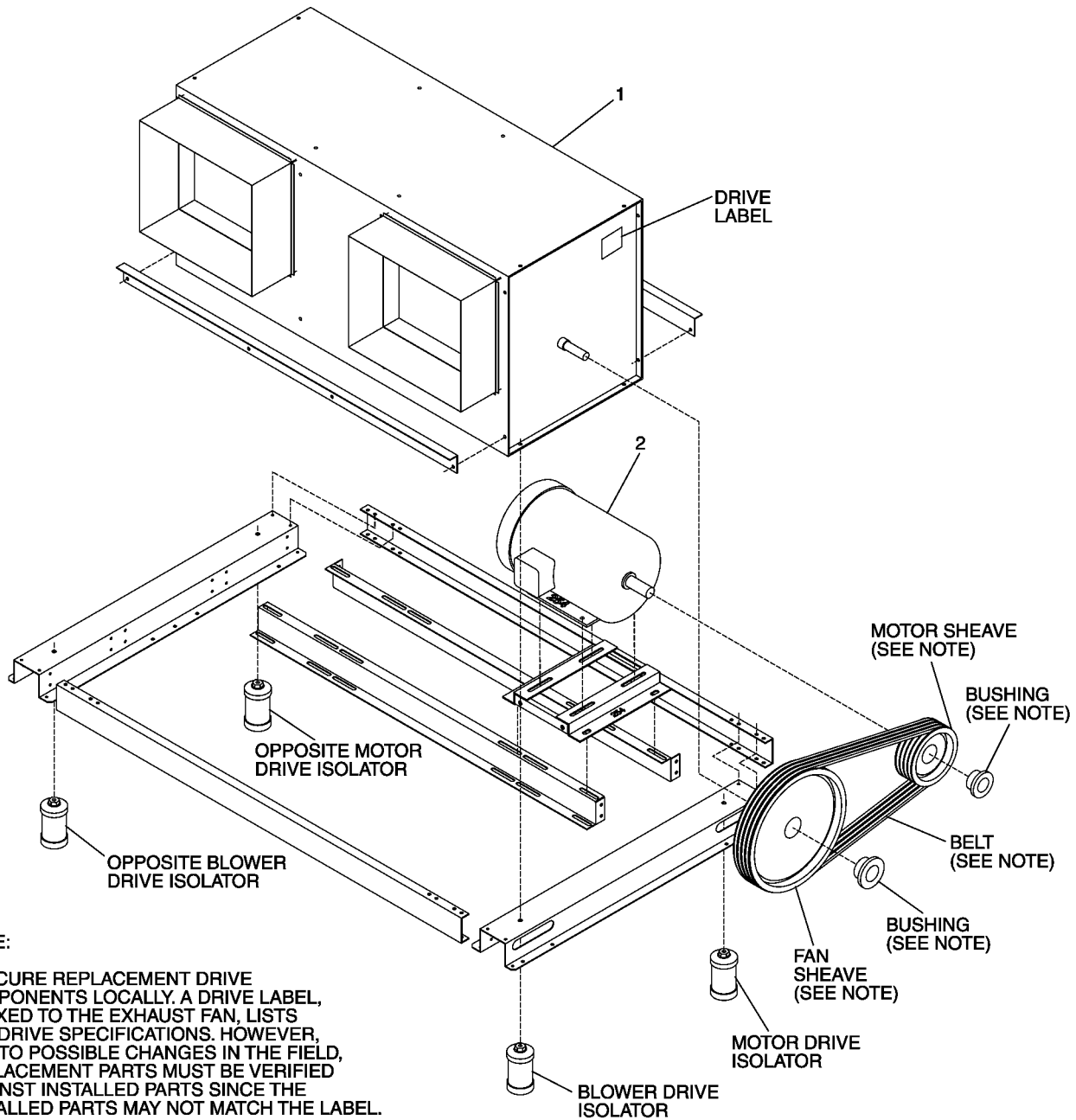


FIGURE 12 - EXHAUST DAMPERS AND ACTUATORS

TABLE 8 - EXHAUST FANS

FIGURE	ITEM	UNIT SIZE	RETURN AIR LOCATION	MOTOR HP	SIZE	CLASS	PART NUMBER
13	1	50-65	Bottom or Right	5, 7.5, 10	15-15	1	026-36358-000
13	1		Left	5, 7.5, 10	15-15	1	026-36435-000
13	1		Bottom or Right	5, 7.5, 10, 15, 20	18-18	1	026-36359-000
13	1		Left	5, 7.5, 10, 15, 20	18-18	1	026-36406-000
13	1	70-105	Bottom or Right	5, 7.5, 10, 15, 20	18-18	1	026-36359-000
13	1		Left	5, 7.5, 10, 15, 20	18-18	1	026-36406-000
13	1		Bottom or Right	5, 7.5, 10, 15, 20, 25, 30	20-18	1	026-36438-000
13	1		Left	5, 7.5, 10, 15, 20, 25, 30	20-18	1	026-36439-000



NOTE:

PROCURE REPLACEMENT DRIVE COMPONENTS LOCALLY. A DRIVE LABEL, AFFIXED TO THE EXHAUST FAN, LISTS THE DRIVE SPECIFICATIONS. HOWEVER, DUE TO POSSIBLE CHANGES IN THE FIELD, REPLACEMENT PARTS MUST BE VERIFIED AGAINST INSTALLED PARTS SINCE THE INSTALLED PARTS MAY NOT MATCH THE LABEL.

FIGURE 13 - EXHAUST FANS, MOTORS, ISOLATORS, AND DRIVE COMPONENTS

TABLE 9 - EXHAUST FAN MOTORS, ODP, 3 PHASE, 60 HERTZ

FIGURE	ITEM	UNIT SIZE	MOTOR HP	VOLTAGE	STANDARD EFFICIENCY PART NUMBER	HIGH EFFICIENCY PART NUMBER
13	2	50-105	5	200	024-23936-000	024-27056-000
13	2			230	024-23929-000	024-27057-000
13	2			380	024-26234-000	NA
13	2			460	024-23929-000	024-27057-000
13	2			575	024-27009-000	024-27371-000
13	2		7.5	200	024-23937-000	024-27058-000
13	2			230	024-23930-000	024-27059-000
13	2			380	024-26235-000	NA
13	2			460	024-23930-000	024-27059-000
13	2			575	024-27010-000	024-27372-000
13	2		10	200	024-23938-000	024-27060-000
13	2			230	024-23931-000	024-27062-000
13	2			380	024-26236-000	NA
13	2			460	024-23931-000	024-27062-000
13	2			575	024-27011-000	024-27373-000
13	2		15	200	024-23939-000	024-27063-000
13	2			230	024-23932-000	024-27064-000
13	2			380	024-26237-000	NA
13	2			460	024-23932-000	024-27064-000
13	2			575	024-27012-000	024-27374-000
13	2	20	200	024-23940-000	024-27065-000	
13	2		230	024-23933-000	024-27066-000	
13	2		380	024-26238-000	NA	
13	2		460	024-23933-000	024-27066-000	
13	2		575	024-27013-000	024-27375-000	
13	2	70-105	25	200	024-23941-000	024-27067-000
13	2			230	024-23934-000	024-27068-000
13	2			380	024-26239-000	NA
13	2			460	024-23934-000	024-27068-000
13	2			575	024-27014-000	024-27376-000
13	2		30	200	024-26265-000	024-27069-000
13	2			230	024-23191-000	024-27070-000
13	2			380	024-26240-000	NA
13	2			460	024-23191-000	024-27070-000
13	2			575	024-27015-000	024-27377-000

TABLE 10 - EXHAUST FAN MOTORS, TEFC, 3 PHASE, 60 HERTZ

FIGURE	ITEM	UNIT SIZE	MOTOR HP	VOLTAGE	STANDARD EFFICIENCY PART NUMBER	HIGH EFFICIENCY PART NUMBER
13	2	50-105	5	200	024-23922-000	024-27083-000
13	2			230	024-23915-000	024-27084-000
13	2			380	024-26249-000	NA
13	2			460	024-23915-000	024-27084-000
13	2			575	024-27041-000	024-27343-000
13	2		7.5	200	024-23923-000	024-27085-000
13	2			230	024-23916-000	024-27086-000
13	2			380	024-26250-000	NA
13	2			460	024-23916-000	024-27086-000
13	2			575	024-27042-000	024-27345-000
13	2		10	200	024-23924-000	024-27087-000
13	2			230	024-23917-000	024-27088-000
13	2			380	024-26251-000	NA
13	2			460	024-23917-000	024-27088-000
13	2			575	024-27043-000	024-27347-000
13	2		15	200	024-23925-000	024-27089-000
13	2			230	024-23918-000	024-27090-000
13	2			380	024-26252-000	NA
13	2			460	024-23918-000	024-27090-000
13	2			575	024-27314-000	024-27349-000
13	2	20	200	024-27336-000	024-27097-000	
13	2		230	024-23919-000	024-27098-000	
13	2		380	024-26253-000	NA	
13	2		460	024-23919-000	024-27098-000	
13	2		575	024-27029-000	024-27351-000	
13	2	70-105	25	200	024-27338-000	024-27099-000
13	2			230	024-23920-000	024-27300-000
13	2			380	024-26254-000	NA
13	2			460	024-23920-000	024-27300-000
13	2			575	024-27030-000	024-27353-000
13	2		30	200	024-26271-000	024-30744-000
13	2			230	024-26282-000	024-27301-000
13	2			380	024-26255-000	NA
13	2			460	024-26282-000	024-27301-000
13	2			575	024-27031-000	024-27355-000

TABLE 11 - EXHAUST FAN MOTORS, ODP AND TEFC, 3 PHASE, 50 HERTZ

FIGURE	ITEM	UNIT SIZE	MOTOR HP	VOLTAGE	ODP STANDARD EFFICIENCY PART NUMBER	TEFC STANDARD EFFICIENCY PART NUMBER
13	2	50-105	5	400	024-27323-000	024-27331-000
13	2		7.5	400	024-27324-000	024-27332-000
13	2		10	400	024-27325-000	024-27334-000
13	2		15	400	024-27326-000	024-27335-000
13	2		20	400	024-27327-000	024-27337-000
13	2	70-105	25	400	024-27379-000	024-27339-000
13	2		30	400	024-27381-000	024-27340-000

TABLE 12 - EXHAUST FAN ONE-INCH SPRING ISOLATORS

FIGURE	UNIT SIZE	FAN SIZE	MOTOR HP	BLOWER DRIVE	OPPOSITE BLOWER DRIVE	MOTOR DRIVE	OPPOSITE MOTOR DRIVE
13	50-65	15-15	5	029-21363-002	029-21363-001	029-21363-002	029-21363-001
13			7.5	029-21363-002	029-21363-001	029-21363-003	029-21363-001
13			10	029-21363-002	029-21363-001	029-21363-004	029-21363-002
13		18-18	5	029-21363-002	029-21363-001	029-21363-002	029-21363-001
13			7.5	029-21363-002	029-21363-001	029-21363-003	029-21363-002
13			10	029-21363-002	029-21363-001	029-21363-004	029-21363-002
13			15	029-21363-002	029-21363-001	029-21363-005	029-21363-002
13			20	029-21363-003	029-21363-001	029-21363-006	029-21363-002
13	70-105	18-18	5	029-21363-002	029-21363-001	029-21363-002	029-21363-002
13			7.5	029-21363-002	029-21363-001	029-21363-003	029-21363-002
13			10	029-21363-002	029-21363-001	029-21363-004	029-21363-002
13			15	029-21363-003	029-21363-001	029-21363-005	029-21363-002
13			20	029-21363-003	029-21363-001	029-21363-006	029-21363-003
13		20-18	5	029-21363-002	029-21363-002	029-21363-003	029-21363-002
13			7.5	029-21363-003	029-21363-002	029-21363-004	029-21363-002
13			10	029-21363-003	029-21363-002	029-21363-004	029-21363-002
13			15	029-21363-004	029-21363-002	029-21363-005	029-21363-003
13			20	029-21363-004	029-21363-002	029-21363-006	029-21363-003
13			25	029-21363-004	029-21363-002	029-21363-006	029-21363-004
13			30	029-21363-004	029-21363-002	029-21363-006	029-21363-004

TABLE 13 - EXHAUST FAN TWO-INCH SPRING ISOLATORS

FIGURE	UNIT SIZE	FAN SIZE	MOTOR HP	BLOWER DRIVE	OPPOSITE BLOWER DRIVE	MOTOR DRIVE	OPPOSITE MOTOR DRIVE
13	50-65	15-15	5	029-21330-602	029-21330-601	029-21330-603	029-21330-601
13			7.5	029-21330-602	029-21330-601	029-21330-603	029-21330-601
13			10	029-21330-602	029-21330-601	029-21330-604	029-21330-602
13		18-18	5	029-21330-602	029-21330-601	029-21330-603	029-21330-601
13			7.5	029-21330-602	029-21330-601	029-21330-603	029-21330-602
13			10	029-21330-602	029-21330-601	029-21330-604	029-21330-602
13			15	029-21330-603	029-21330-601	029-21330-606	029-21330-603
13			20	029-21330-603	029-21330-601	029-21330-606	029-21330-603
13	70-105	18-18	5	029-21330-602	029-21330-601	029-21330-603	029-21330-602
13			7.5	029-21330-602	029-21330-601	029-21330-604	029-21330-602
13			10	029-21330-603	029-21330-601	029-21330-604	029-21330-602
13			15	029-21330-603	029-21330-601	029-21330-606	029-21330-603
13			20	029-21330-603	029-21330-601	029-21330-606	029-21330-603
13		20-18	5	029-21330-603	029-21330-602	029-21330-603	029-21330-602
13			7.5	029-21330-603	029-21330-602	029-21330-604	029-21330-602
13			10	029-21330-603	029-21330-602	029-21330-604	029-21330-603
13			15	029-21330-604	029-21330-602	029-21330-606	029-21330-603
13			20	029-21330-604	029-21330-602	029-21330-606	029-21330-604
13			25	029-21330-604	029-21330-602	029-21330-606	029-21330-604
13			30	029-21330-604	029-21330-602	029-21330-606	029-21330-604

TABLE 14 - EXHAUST FAN ONE-HALF-INCH NEOPRENE ISOLATORS

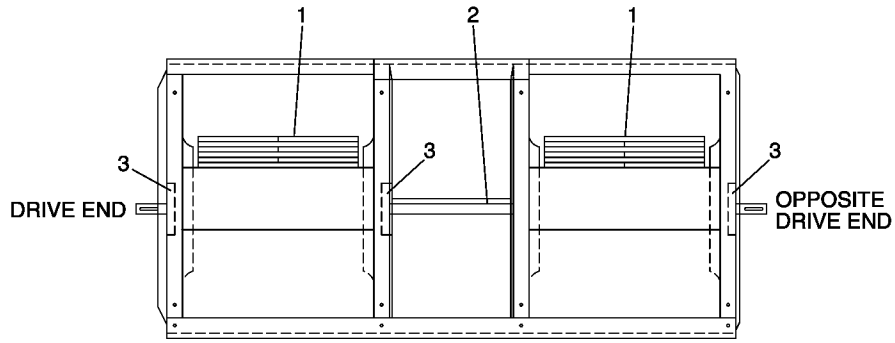
FIGURE	UNIT SIZE	FAN SIZE	MOTOR HP	BLOWER DRIVE	OPPOSITE BLOWER DRIVE	MOTOR DRIVE	OPPOSITE MOTOR DRIVE
13	50-65	15-15	5	028-11957-002	028-11957-002	028-11957-003	028-11957-002
13			7.5	028-11957-002	028-11957-002	028-11957-004	028-11957-002
13			10	028-11957-002	028-11957-002	028-11957-004	028-11957-002
13		18-18	5	028-11957-002	028-11957-002	028-11957-003	028-11957-002
13			7.5	028-11957-002	028-11957-002	028-11957-004	028-11957-002
13			10	028-11957-003	028-11957-002	028-11957-004	028-11957-002
13			15	028-11957-003	028-11957-002	028-11957-005	028-11957-003
13			20	028-11957-003	028-11957-002	028-11957-005	028-11957-003
13	70-105	18-18	5	028-11957-002	028-11957-002	028-11957-003	028-11957-002
13			7.5	028-11957-003	028-11957-002	028-11957-004	028-11957-002
13			10	028-11957-003	028-11957-002	028-11957-004	028-11957-002
13			15	028-11957-003	028-11957-002	028-11957-005	028-11957-003
13			20	028-11957-004	028-11957-002	028-11957-005	028-11957-003
13		20-18	5	028-11957-003	028-11957-002	028-11957-003	028-11957-002
13			7.5	028-11957-003	028-11957-002	028-11957-004	028-11957-002
13			10	028-11957-004	028-11957-002	028-11957-004	028-11957-003
13			15	028-11957-004	028-11957-002	028-11957-005	028-11957-004
13			20	028-11957-004	028-11957-002	028-11957-005	028-11957-004
13			25	028-11957-004	028-11957-002	028-11957-006	028-11957-004
13	30	028-11957-004	028-11957-002	028-11957-006	028-11957-004		

TABLE 15 - ISOLATOR PART NUMBER IDENTIFICATION BY COLOR

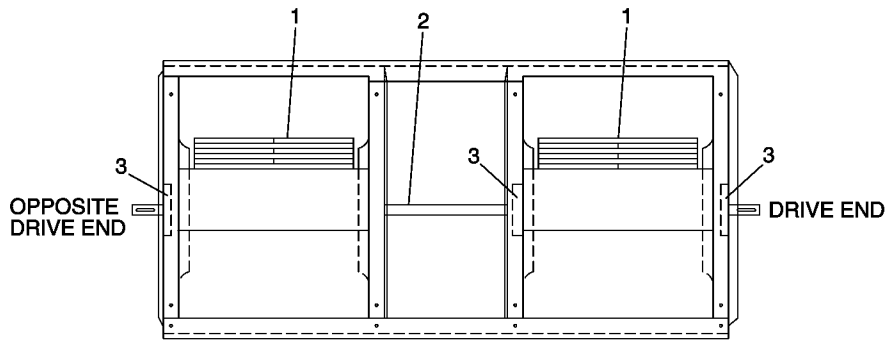
ONE INCH SPRING ISOLATORS		TWO INCH SPRING ISOLATORS	
COLOR	PART NUMBER	COLOR	PART NUMBER
Blue	029-21363-001	Blue	029-21330-601
Blue/Pink	029-21363-002	Yellow	029-21330-602
Blue/Black	029-21363-003	Black	029-21330-603
Blue/Blue	029-21363-004	Purple	029-21330-604
Black	029-21363-005	Red	029-21330-606
Black/Yellow	029-21363-006	Red/Black	029-21330-607
Red/Brown	029-21363-008	Red/Green	029-21330-608

TABLE 16 - EXHAUST FAN REPLACEMENT PARTS

FIGURE	ITEM	RETURN AIR LOCATION	SIZE	EXHAUST FAN PART NUMBER	PART DESCRIPTION	QUANTITY	PART NUMBER
14	1	Bottom or Right	15-15	026-36358-000	Wheel	2	026-38829-000
14	2				Shaft	1	029-22049-000
14	3				Bearing	3	029-22057-000
14	1	Left	15-15	026-36435-000	Wheel	2	026-38829-000
14	2				Shaft	1	029-22049-000
14	3				Bearing	3	029-22057-000
14	1	Bottom or Right	18-18	026-36359-000	Wheel	2	026-38831-000
14	2				Shaft	1	029-22051-000
14	3				Bearing	3	029-22059-000
14	1	Left	18-18	026-36406-000	Wheel	2	026-38831-000
14	2				Shaft	1	029-22051-000
14	3				Bearing	3	029-22059-000
14	1	Bottom or Right	20-18	026-36438-000	Wheel	2	026-33836-000
14	2				Shaft	1	029-22063-000
14	3				Bearing	3	029-22060-000
14	1	Left	20-18	026-36439-000	Wheel	2	026-33836-000
14	2				Shaft	1	029-22063-000
14	3				Bearing	3	029-22060-000



026-36358-000
 026-36359-000
 026-36438-000

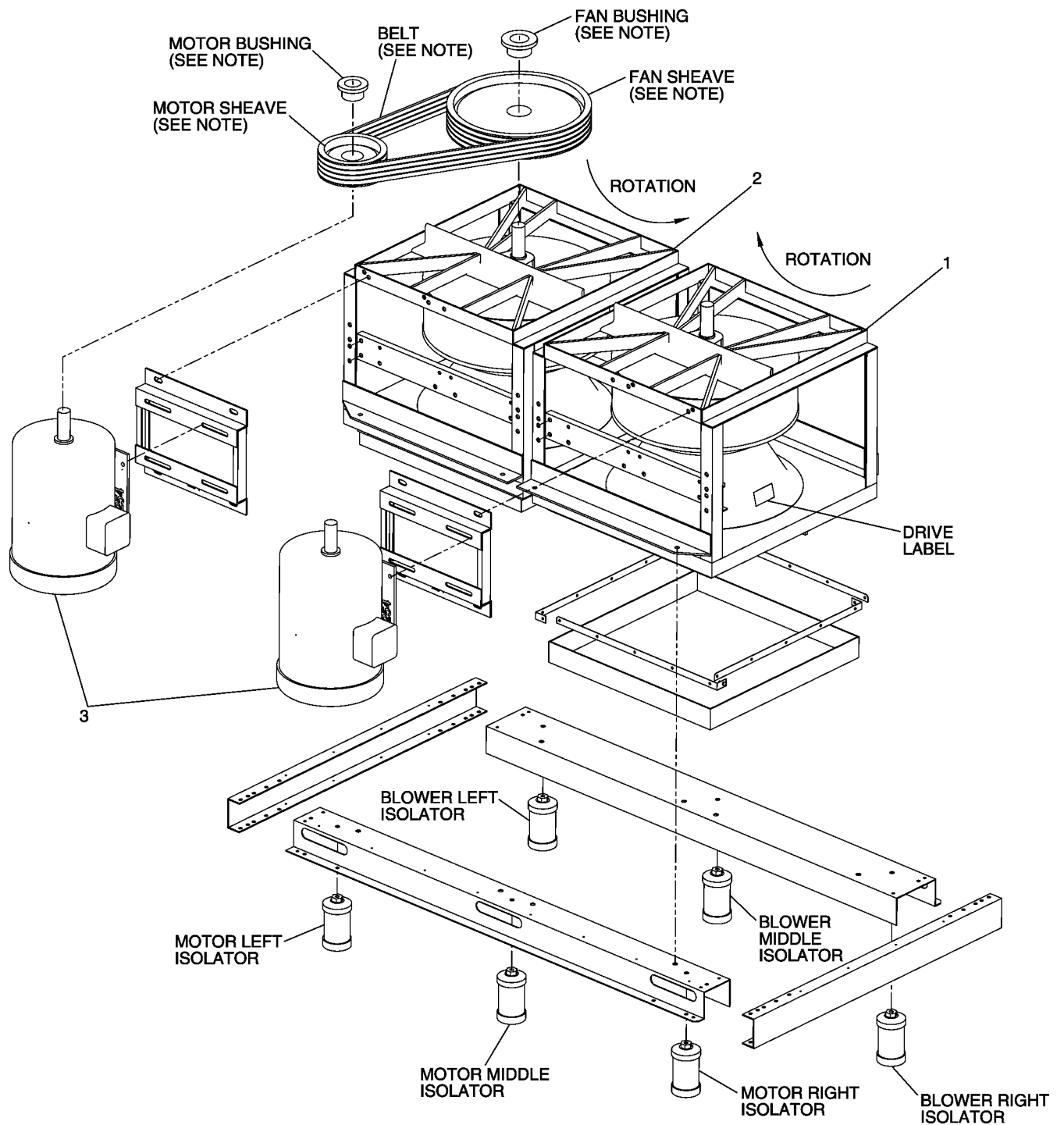


026-36406-000
 026-36435-000
 026-36439-000

FIGURE 14 - EXHAUST FAN REPLACEMENT PARTS

TABLE 17 - RETURN FANS

FIGURE	ITEM	UNIT SIZE	ROTATION	PART NUMBER
15	1	50-65	Clockwise	026-40562-000
15	2		Counterclockwise	026-40562-001
15	1	70-105	Clockwise	026-40563-000
15	2		Counterclockwise	026-40563-001



NOTE: PROCURE REPLACEMENT DRIVE COMPONENTS LOCALLY. A DRIVE LABEL, AFFIXED TO THE RETURN FAN, LISTS THE DRIVE SPECIFICATIONS. HOWEVER, DUE TO POSSIBLE CHANGES IN THE FIELD, REPLACEMENT PARTS MUST BE VERIFIED AGAINST INSTALLED PARTS SINCE THE INSTALLED PARTS MAY NOT MATCH THE LABEL.

FIGURE 15 - RETURN FANS, MOTORS, ISOLATORS, AND DRIVE COMPONENTS

TABLE 18 - RETURN FAN MOTORS, ODP, 3 PHASE, 60 HERTZ

FIGURE	ITEM	UNIT SIZE	MOTOR HP	VOLTAGE	STANDARD EFFICIENCY PART NUMBER	HIGH EFFICIENCY PART NUMBER
15	3	50-105	5	200	024-23936-000	024-27056-000
15	3			230	024-23929-000	024-27057-000
15	3			380	024-26234-000	NA
15	3			460	024-23929-000	024-27057-000
15	3			575	024-27009-000	024-27371-000
15	3		7.5	200	024-23937-000	024-27058-000
15	3			230	024-23930-000	024-27059-000
15	3			380	024-26235-000	NA
15	3			460	024-23930-000	024-27059-000
15	3			575	024-27010-000	024-27372-000
15	3		10	200	024-23938-000	024-27060-000
15	3			230	024-23931-000	024-27062-000
15	3			380	024-26236-000	NA
15	3			460	024-23931-000	024-27062-000
15	3			575	024-27011-000	024-27373-000
15	3		15	200	024-23939-000	024-27063-000
15	3			230	024-23932-000	024-27064-000
15	3			380	024-26237-000	NA
15	3			460	024-23932-000	024-27064-000
15	3			575	024-27012-000	024-27374-000
15	3	90-105	20	200	024-23940-000	024-27065-000
15	3			230	024-23933-000	024-27066-000
15	3			380	024-26238-000	NA
15	3			460	024-23933-000	024-27066-000
15	3			575	024-27013-000	024-27375-000

TABLE 19 - RETURN FAN MOTORS, TEFC, 3 PHASE, 60 HERTZ

FIGURE	ITEM	UNIT SIZE	MOTOR HP	VOLTAGE	STANDARD EFFICIENCY PART NUMBER	HIGH EFFICIENCY PART NUMBER
15	3	50-105	5	200	024-23922-000	024-27083-000
15	3			230	024-23915-000	024-27084-000
15	3			380	024-26249-000	NA
15	3			460	024-23915-000	024-27084-000
15	3			575	024-27041-000	024-27343-000
15	3		7.5	200	024-23923-000	024-27085-000
15	3			230	024-23916-000	024-27086-000
15	3			380	024-26250-000	NA
15	3			460	024-23916-000	024-27086-000
15	3			575	024-27042-000	024-27345-000
15	3		10	200	024-23924-000	024-27087-000
15	3			230	024-23917-000	024-27088-000
15	3			380	024-26251-000	NA
15	3			460	024-23917-000	024-27088-000
15	3			575	024-27043-000	024-27347-000
15	3		15	200	024-23925-000	024-27089-000
15	3			230	024-23918-000	024-27090-000
15	3			380	024-26252-000	NA
15	3			460	024-23918-000	024-27090-000
15	3			575	024-27314-000	024-27349-000
15	3	90-105	20	200	024-27336-000	024-27097-000
15	3			230	024-23919-000	024-27098-000
15	3			380	024-26253-000	NA
15	3			460	024-23919-000	024-27098-000
15	3			575	024-27029-000	024-27351-000

TABLE 20 - RETURN FAN MOTORS, ODP AND TEFC, 3 PHASE, 50 HERTZ

FIGURE	ITEM	UNIT SIZE	MOTOR HP	VOLTAGE	ODP STANDARD EFFICIENCY PART NUMBER	TEFC STANDARD EFFICIENCY PART NUMBER
15	3	50-105	5	400	024-27323-000	024-27331-000
15	3		7.5	400	024-27324-000	024-27332-000
15	3		10	400	024-27325-000	024-27334-000
15	3		15	400	024-27326-000	024-27335-000
15	3	90-105	20	400	024-27327-000	024-27337-000

TABLE 21 - RETURN FAN ONE-INCH SPRING ISOLATORS

FIGURE	UNIT SIZE	MOTOR HP	BLOWER LEFT	BLOWER MIDDLE	BLOWER RIGHT	MOTOR LEFT	MOTOR MIDDLE	MOTOR RIGHT
15	50-65	5	029-21363-002	029-21363-002	029-21363-002	029-21363-003	029-21363-002	029-21363-003
15		7.5	029-21363-002	029-21363-002	029-21363-002	029-21363-004	029-21363-002	029-21363-004
15		10	029-21363-002	029-21363-002	029-21363-002	029-21363-004	029-21363-003	029-21363-004
15		15	029-21363-002	029-21363-002	029-21363-002	029-21363-005	029-21363-005	029-21363-005
15	70-85	5	029-21363-004	029-21363-002	029-21363-004	029-21363-003	029-21363-002	029-21363-003
15		7.5	029-21363-003	029-21363-002	029-21363-003	029-21363-004	029-21363-002	029-21363-004
15		10	029-21363-003	029-21363-002	029-21363-003	029-21363-004	029-21363-003	029-21363-004
15		15	029-21363-003	029-21363-003	029-21363-003	029-21363-005	029-21363-005	029-21363-005
15	90-105	5	029-21363-004	029-21363-002	029-21363-004	029-21363-003	029-21363-002	029-21363-003
15		7.5	029-21363-003	029-21363-002	029-21363-003	029-21363-004	029-21363-003	029-21363-004
15		10	029-21363-003	029-21363-002	029-21363-003	029-21363-005	029-21363-004	029-21363-005
15		15	029-21363-003	029-21363-003	029-21363-003	029-21363-006	029-21363-005	029-21363-006
15		20	029-21363-003	029-21363-003	029-21363-003	029-21363-006	029-21363-006	029-21363-006

TABLE 22 - RETURN FAN TWO-INCH SPRING ISOLATORS

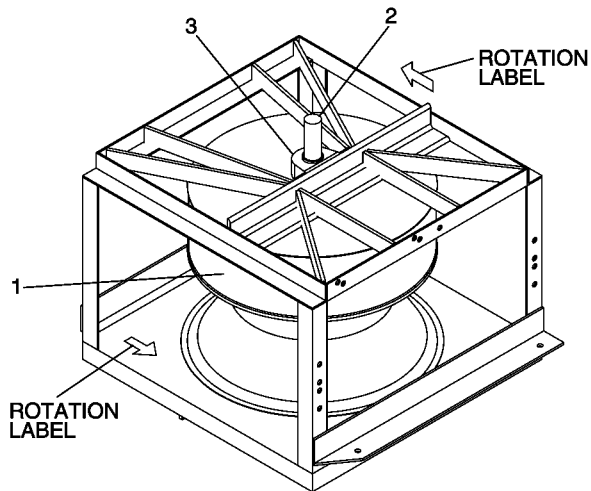
FIGURE	UNIT SIZE	MOTOR HP	BLOWER LEFT	BLOWER MIDDLE	BLOWER RIGHT	MOTOR LEFT	MOTOR MIDDLE	MOTOR RIGHT
15	50-65	5	029-21330-603	029-21330-602	029-21330-603	029-21330-603	029-21330-602	029-21330-603
15		7.5	029-21330-603	029-21330-602	029-21330-603	029-21330-604	029-21330-603	029-21330-604
15		10	029-21330-603	029-21330-602	029-21330-603	029-21330-604	029-21330-604	029-21330-604
15		15	029-21330-603	029-21330-603	029-21330-603	029-21330-606	029-21330-606	029-21330-606
15	70-85	5	029-21330-604	029-21330-602	029-21330-604	029-21330-604	029-21330-602	029-21330-604
15		7.5	029-21330-604	029-21330-602	029-21330-604	029-21330-604	029-21330-603	029-21330-604
15		10	029-21330-604	029-21330-603	029-21330-604	029-21330-604	029-21330-604	029-21330-604
15		15	029-21330-603	029-21330-603	029-21330-603	029-21330-606	029-21330-606	029-21330-606
15	90-105	5	029-21330-604	029-21330-602	029-21330-604	029-21330-604	029-21330-602	029-21330-604
15		7.5	029-21330-604	029-21330-602	029-21330-604	029-21330-604	029-21330-603	029-21330-604
15		10	029-21330-604	029-21330-603	029-21330-604	029-21330-606	029-21330-604	029-21330-606
15		15	029-21330-603	029-21330-603	029-21330-603	029-21330-606	029-21330-606	029-21330-606
15		20	029-21330-603	029-21330-603	029-21330-603	029-21330-606	029-21330-606	029-21330-606

TABLE 23 - ISOLATOR PART NUMBER IDENTIFICATION BY COLOR

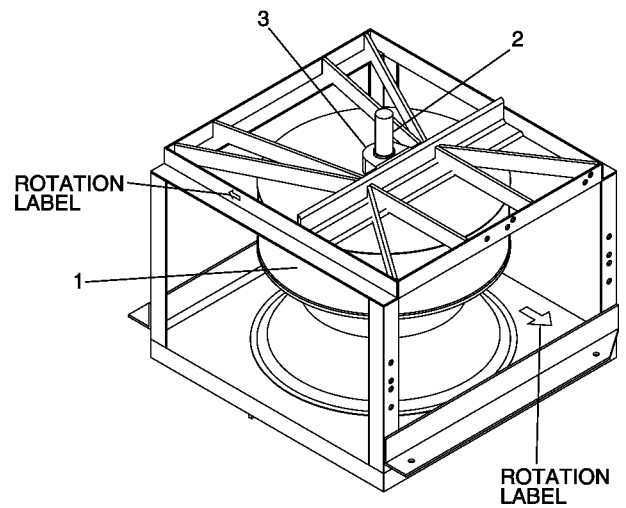
ONE INCH SPRING ISOLATORS		TWO INCH SPRING ISOLATORS	
COLOR	PART NUMBER	COLOR	PART NUMBER
Blue	029-21363-001	Blue	029-21330-601
Blue/Pink	029-21363-002	Yellow	029-21330-602
Blue/Black	029-21363-003	Black	029-21330-603
Blue/Blue	029-21363-004	Purple	029-21330-604
Black	029-21363-005	Red	029-21330-606
Black/Yellow	029-21363-006	Red/Black	029-21330-607
Red/Brown	029-21363-008	Red/Green	029-21330-608

TABLE 24 - RETURN FAN REPLACEMENT PARTS

FIGURE	ITEM	RETURN FAN PART NUMBER	PART DESCRIPTION	QUANTITY	PART NUMBER
16	1	026-40562-000	Wheel	1	026-40658-000
16	2		Shaft	1	029-22073-000
16	3		Bearing	2	029-22072-000
16	1	026-40562-001	Wheel	1	026-40659-000
16	2		Shaft	1	029-22073-000
16	3		Bearing	2	029-22072-000
16	1	026-40563-000	Wheel	1	026-40656-000
16	2		Shaft	1	029-22071-000
16	3		Bearing	2	029-22072-000
16	1	026-40563-001	Wheel	1	026-40657-000
16	2		Shaft	1	029-22071-000
16	3		Bearing	2	029-22072-000



026-40562-001
026-40563-001



026-40562-000
026-40563-000

FIGURE 16 - RETURN FAN REPLACEMENT PARTS

TABLE 25 - ECONOMIZER DAMPERS AND ACTUATORS

FIGURE	ITEM	UNIT SIZE	DESCRIPTION	PART NUMBER
17	1	50-65	Damper, Manual, 2 Position and Full IAQ	026-40698-000
17	2		Damper, Minimum	026-40699-000
18	3		Actuator, JCI	025-35774-016
18	5		Actuator, Belimo	025-30958-009
18	6		Handcrank, Manual	026-40700-000
19	7		Crank Arm, Full IAQ	085-01457-000
19	8		Ball Joint Linkage, Full, Minimum	021-19574-000
19	9		Linkage Rod, Full IAQ, 5/16" x 19.5" Long	026-40691-003
19	10		Linkage Rod, Minimum, 5/16" x 12" Long	026-40691-006
19	11		Blade Crank Arm, Minimum	085-01456-000
19	12		Actuator Crank Arm, JCI, Minimum	085-01365-000
19	13		Actuator Crank Arm, Belimo, Minimum	026-40704-000
18	14		Bracket, Rotation Limiter, Return Fan Option	026-40811-000
17	1		70-85	Damper, Manual, 2 Position and Full IAQ
17	2	Damper, Minimum		026-40699-001
18	3	Actuator, JCI		025-35774-016
18	4	Actuator, JCI		025-35774-017
18	5	Actuator, Belimo		025-30958-009
18	6	Handcrank, Manual		026-40700-000
19	7	Crank Arm, Full IAQ		085-01457-000
19	8	Ball Joint Linkage, Full, Minimum		021-19574-000
19	9	Linkage Rod, Full IAQ, 5/16" x 36" Long		026-40691-004
19	10	Linkage Rod, Minimum, 5/16" x 10" Long		026-40691-007
19	11	Blade Crank Arm, Minimum		085-01456-000
19	12	Actuator Crank Arm, JCI, Minimum		085-01365-000
19	13	Actuator Crank Arm, Belimo, Minimum		026-40704-000
18	14	Bracket, Rotation Limiter, Return Fan Option		026-40811-000
17	1	90-105	Damper, Manual, 2 Position and Full IAQ	026-40698-002
17	2		Damper, Minimum	026-40699-002
18	3		Actuator, JCI	025-35774-016
18	4		Actuator, JCI	025-35774-017
18	5		Actuator, Belimo	025-30958-009
18	6		Handcrank, Manual	026-40700-000
19	7		Crank Arm, Full IAQ	085-01457-000
19	8		Ball Joint Linkage, Full, Minimum	021-19574-000
19	9		Linkage Rod, Full IAQ, 5/16" x 33" Long	026-40691-008
19	10		Linkage Rod, Minimum, 5/16" x 12" Long	026-40691-006
19	11		Blade Crank Arm, Minimum	085-01456-000
19	12		Actuator Crank Arm, JCI, Minimum	085-01365-000
19	13		Actuator Crank Arm, Belimo, Minimum	026-40704-000
18	14		Bracket, Rotation Limiter, Return Fan Option	026-40811-000

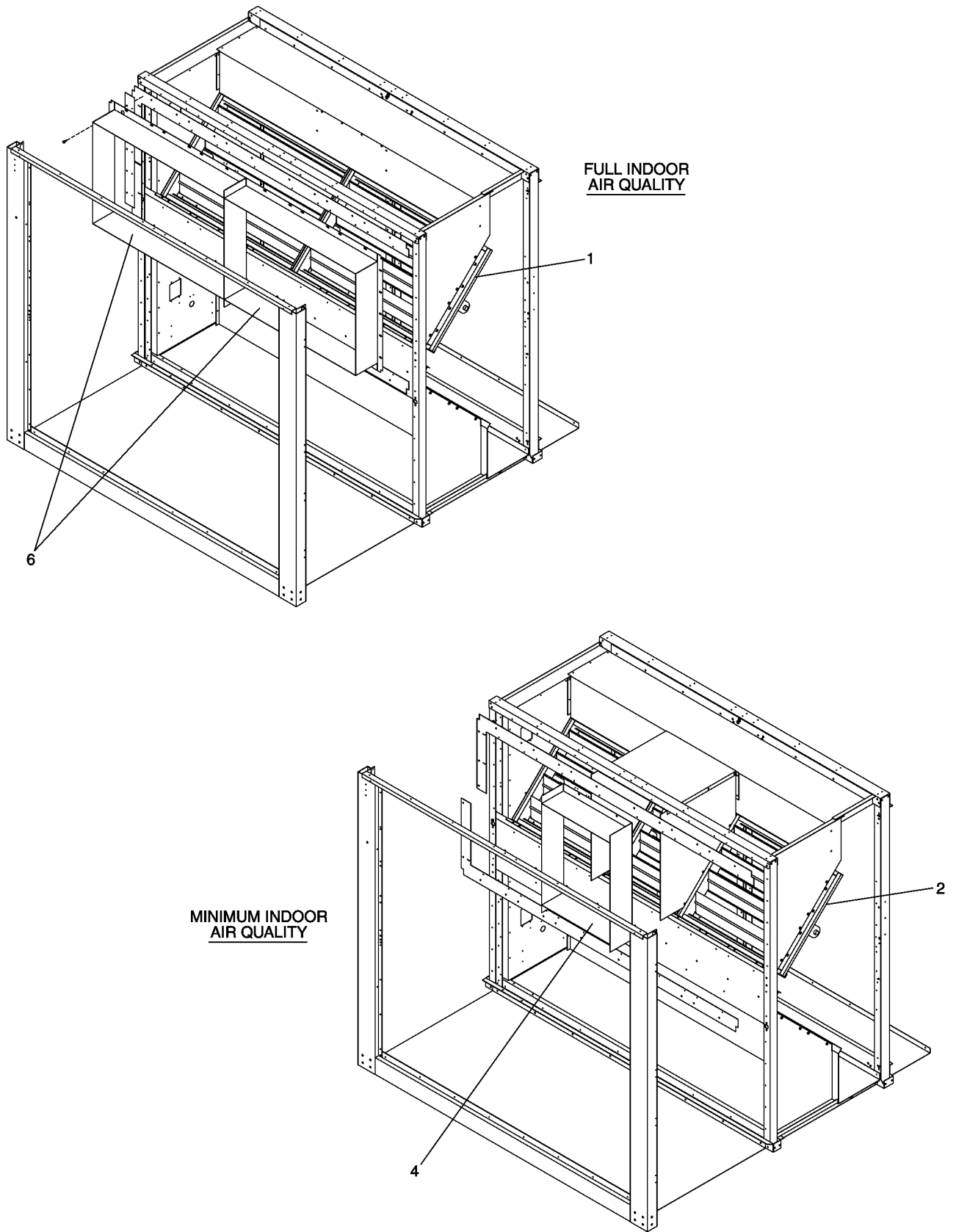
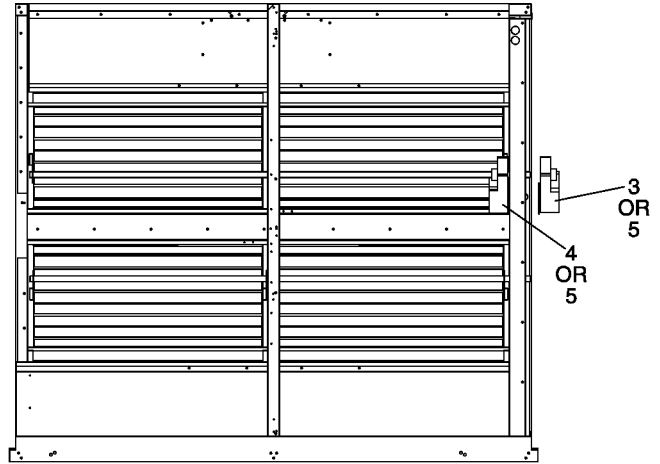
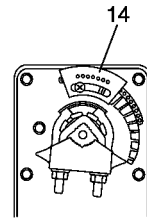
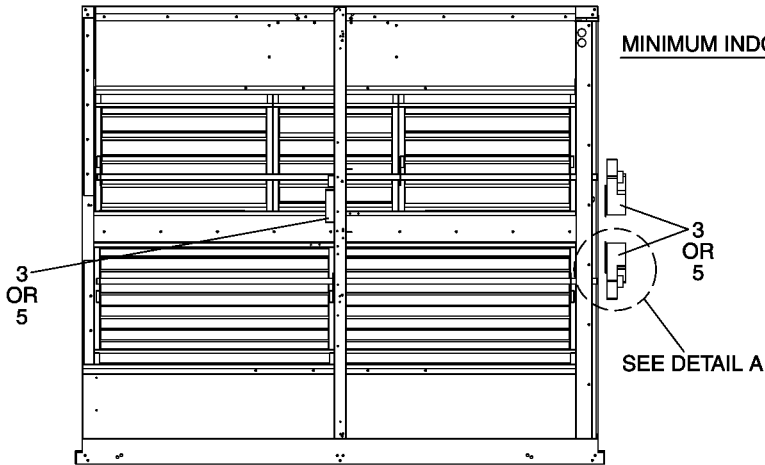


FIGURE 17 - ECONOMIZER DAMPERS AND AIR MEASUREMENT STATIONS

FULL INDOOR AIR QUALITY OPTION (70-105 TONS)



MINIMUM INDOOR AIR QUALITY OPTION (50-105 TONS)



DETAIL A
RETURN FAN OPTION ONLY
(BELIMO ACTUATOR)

TWO-POSITION ACTUATOR OPTION (50-105 TONS)
FULL INDOOR AIR QUALITY OPTION (50-65 TONS)

SIDE VIEW

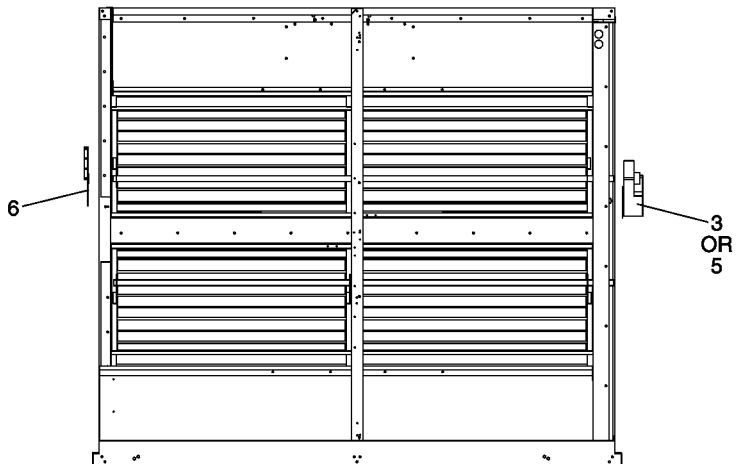
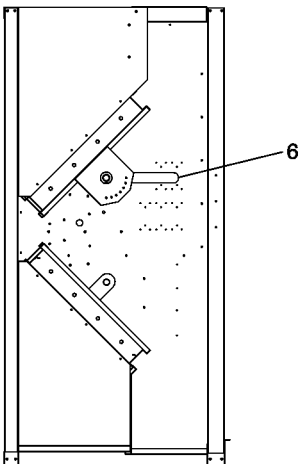


FIGURE 18 - ECONOMIZER DAMPER ACTUATORS

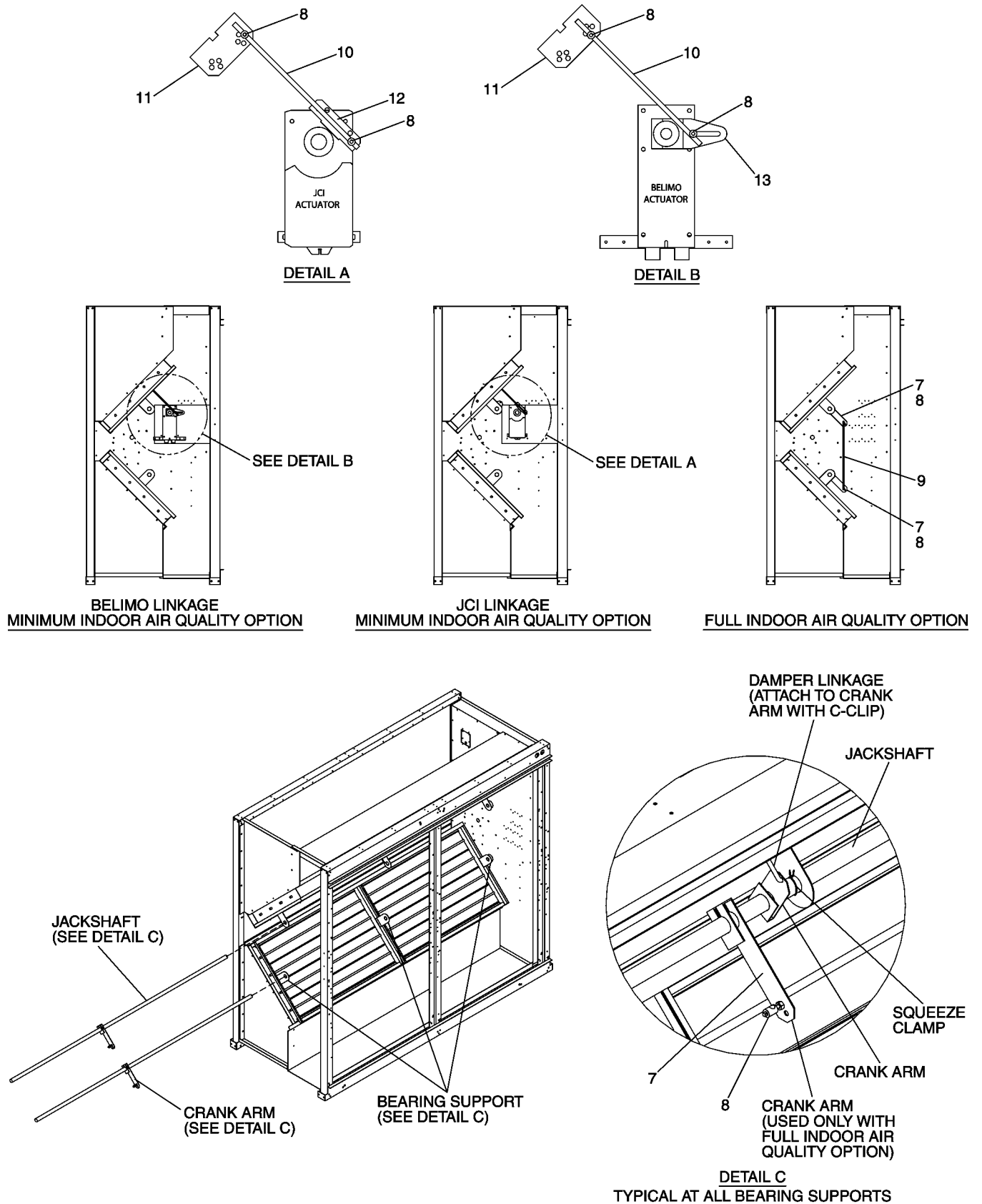


FIGURE 19 - ECONOMIZER DAMPER AND ACTUATOR LINKAGE

TABLE 26 - AIR MEASUREMENT STATIONS

FIGURE	ITEM	UNIT SIZE	DESCRIPTION	PART NUMBER
17	4	50-65	Air Measurement Station, Mid Section, 22" x 28"	026-41934-001
17	5		Air Measurement Station, End Section, 31" x 28"	026-41935-001
17	6		Air Measurement Station, End Section, 42" x 28"	026-41936-001
17	4	70-85	Air Measurement Station, Mid Section, 22" x 32"	026-41934-002
17	5		Air Measurement Station, End Section, 31" x 32"	026-41935-002
17	6		Air Measurement Station, End Section, 42" x 32"	026-41936-002
17	4	90-105	Air Measurement Station, Mid Section, 22" x 36"	026-41934-003
17	5		Air Measurement Station, End Section, 31" x 36"	026-41935-003
17	6		Air Measurement Station, End Section, 42" x 36"	026-41936-003

TABLE 27 - UNIT FILTERS, ANGLE

FIGURE	ITEM	UNIT SIZE	TYPE	SIZE	PART NUMBER	QUANTITY
20	1	50-65	2" Throwaway	20" x 25"	026-01730-000	12
20	2			16" x 25"	026-03616-000	8
20	1		2" Cleanable	20" x 25"	026-10451-000	12
20	2			16" x 25"	026-10449-000	8
20	1		2" Pleated, 30% Efficient	20" x 25"	026-21065-000	12
20	2			16" x 25"	026-21064-000	8
20	1		2" Carbon, 30% Efficient	20" x 25"	026-36378-000	12
20	2			16" x 25"	026-36377-000	8
20	1	70-85	2" Throwaway	20" x 25"	026-01730-000	15
20	2			16" x 25"	026-03616-000	10
20	1		2" Cleanable	20" x 25"	026-10451-000	15
20	2			16" x 25"	026-10449-000	10
20	1		2" Pleated, 30% Efficient	20" x 25"	026-21065-000	15
20	2			16" x 25"	026-21064-000	10
20	1		2" Carbon, 30% Efficient	20" x 25"	026-36378-000	15
20	2			16" x 25"	026-36377-000	10
20	1	90-105	2" Throwaway	20" x 25"	026-01730-000	18
20	2			16" x 25"	026-03616-000	12
20	1		2" Cleanable	20" x 25"	026-10451-000	18
20	2			16" x 25"	026-10449-000	12
20	1		2" Pleated, 30% Efficient	20" x 25"	026-21065-000	18
20	2			16" x 25"	026-21064-000	12
20	1		2" Carbon, 30% Efficient	20" x 25"	026-36378-000	18
20	2			16" x 25"	026-36377-000	12

NOTE:

50-65 TON UNIT IS SHOWN.
THE WIDTH OF THE FILTER SECTION
IS THE SAME FOR ALL TONNAGES.
HOWEVER, THE NUMBER OF ROWS
OF FILTERS VARIES AS FOLLOWS:

50-65 TONS - 4 ROWS
70-85 TONS - 5 ROWS
90-105 TONS - 6 ROWS

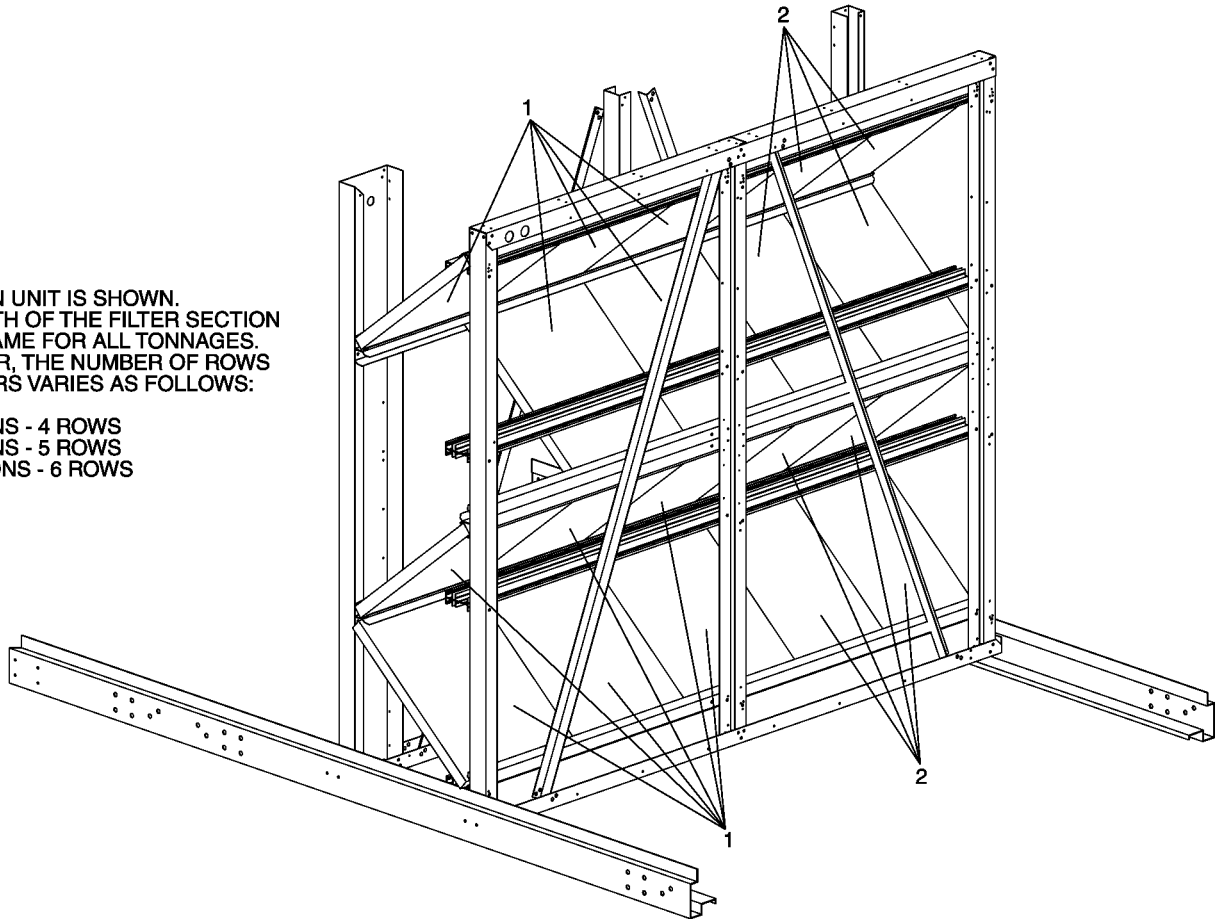
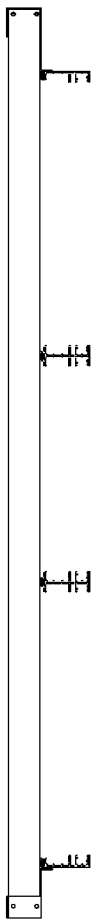
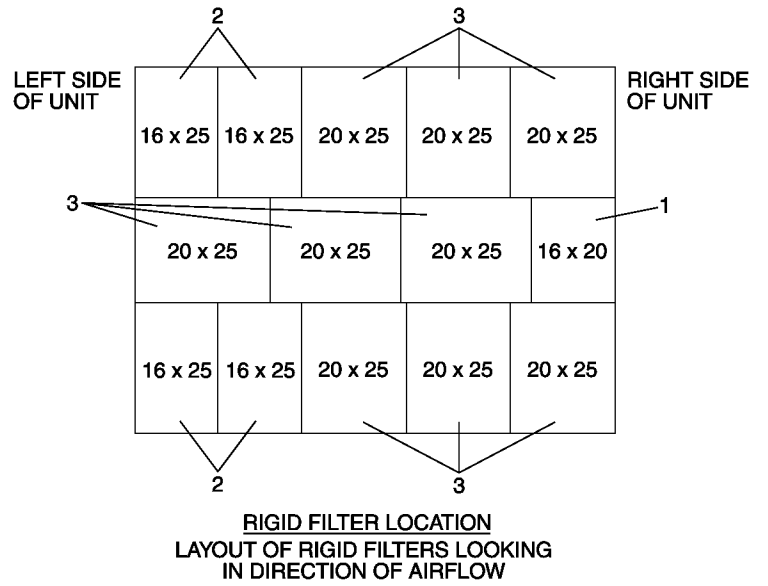


FIGURE 20 - ANGLE UNIT FILTERS

TABLE 28 - UNIT FILTERS, RIGID

FIGURE	ITEM	UNIT SIZE	TYPE	SIZE	PART NUMBER	QUANTITY
21	1	50-65	2" Throwaway	16" x 20"	026-03617-000	1
21	2			16" x 25"	026-03616-000	4
21	3			20" x 25"	026-01730-000	9
21	1		12" 60-65% Efficient	16" x 20"	026-36340-009	1
21	2			16" x 25"	026-36340-010	4
21	3			20" x 25"	026-36379-000	9
21	1		12" 90-95% Efficient	16" x 20"	026-36342-009	1
21	2			16" x 25"	026-36342-010	4
21	3			20" x 25"	026-36380-000	9
21	1		2" Pleated Pre-Filter (for use with 12" 60-65% and 90-95% Efficient Filters)	16" x 20"	026-21062-000	1
21	2			16" x 25"	026-21064-000	4
21	3			20" x 25"	026-21065-000	9
22	1	70-85	2" Throwaway	16" x 20"	026-03617-000	2
22	2			16" x 25"	026-03616-000	8
22	3			20" x 25"	026-01730-000	9
22	1		12" 60-65% Efficient	16" x 20"	026-36340-009	2
22	2			16" x 25"	026-36340-010	8
22	3			20" x 25"	026-36379-000	9
22	1		12" 90-95% Efficient	16" x 20"	026-36342-009	2
22	2			16" x 25"	026-36342-010	8
22	3			20" x 25"	026-36380-000	9
22	1		2" Pleated Pre-Filter (for use with 12" 60-65% and 90-95% Efficient Filters)	16" x 20"	026-21062-000	2
22	2			16" x 25"	026-21064-000	8
22	3			20" x 25"	026-21065-000	9
23	1	90-105	2" Throwaway	16" x 25"	026-03616-000	8
23	2			20" x 25"	026-01730-000	12
23	1		12" 60-65% Efficient	16" x 25"	026-36340-010	8
23	2			20" x 25"	026-36379-000	12
23	1		12" 90-95% Efficient	16" x 25"	026-36342-010	8
23	2			20" x 25"	026-36380-000	12
23	1		2" Pleated Pre-Filter (for use with 12" 60-65% and 90-95% Efficient Filters)	16" x 25"	026-21064-000	8
23	2			20" x 25"	026-21065-000	12

NOTE: SEE FIGURE 56
FOR EXTENDED CABINET
RIGID FILTERS (50-65 TONS).



SIDE VIEW

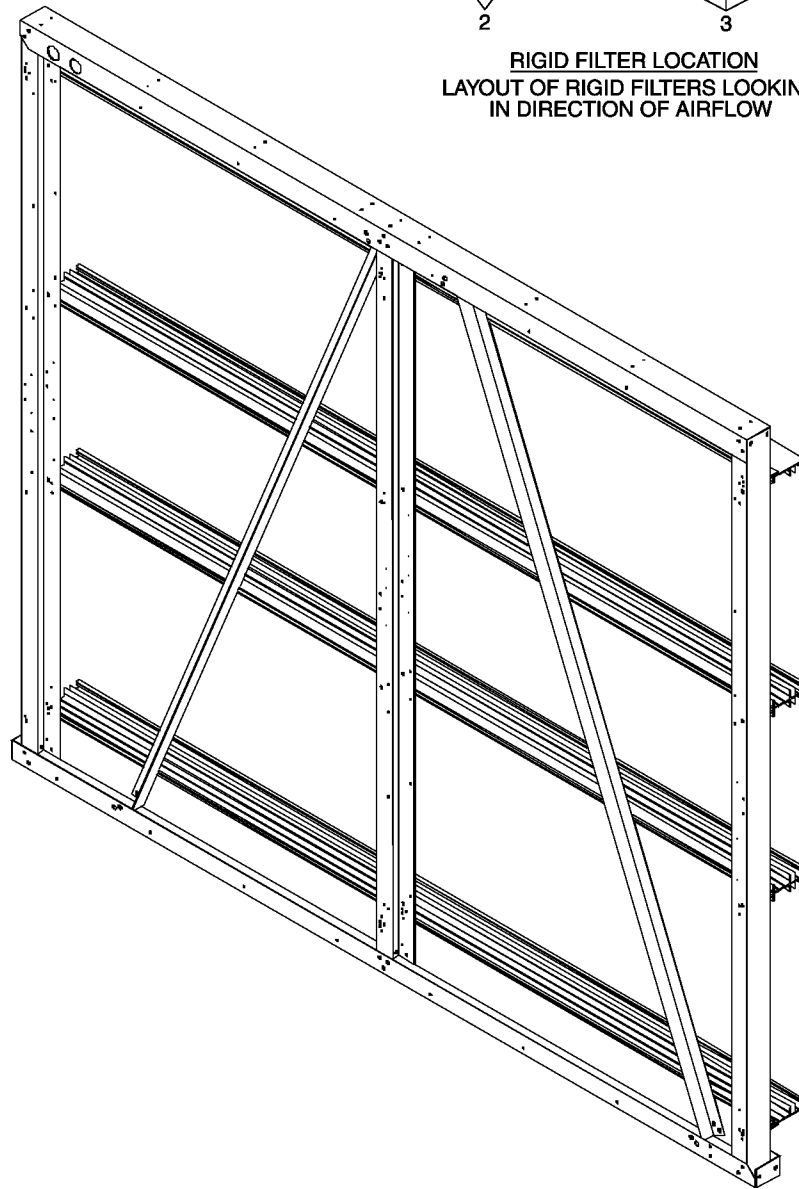
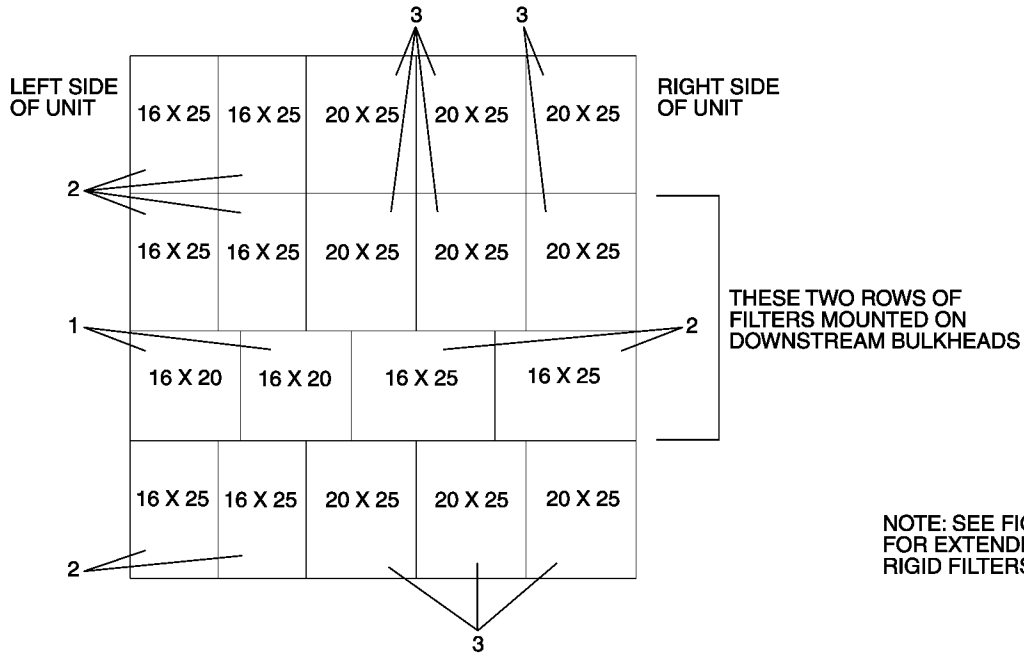


FIGURE 21 - RIGID UNIT FILTERS (50-65 TONS)



RIGID FILTER LOCATION
LAYOUT OF RIGID FILTERS LOOKING
IN DIRECTION OF AIRFLOW

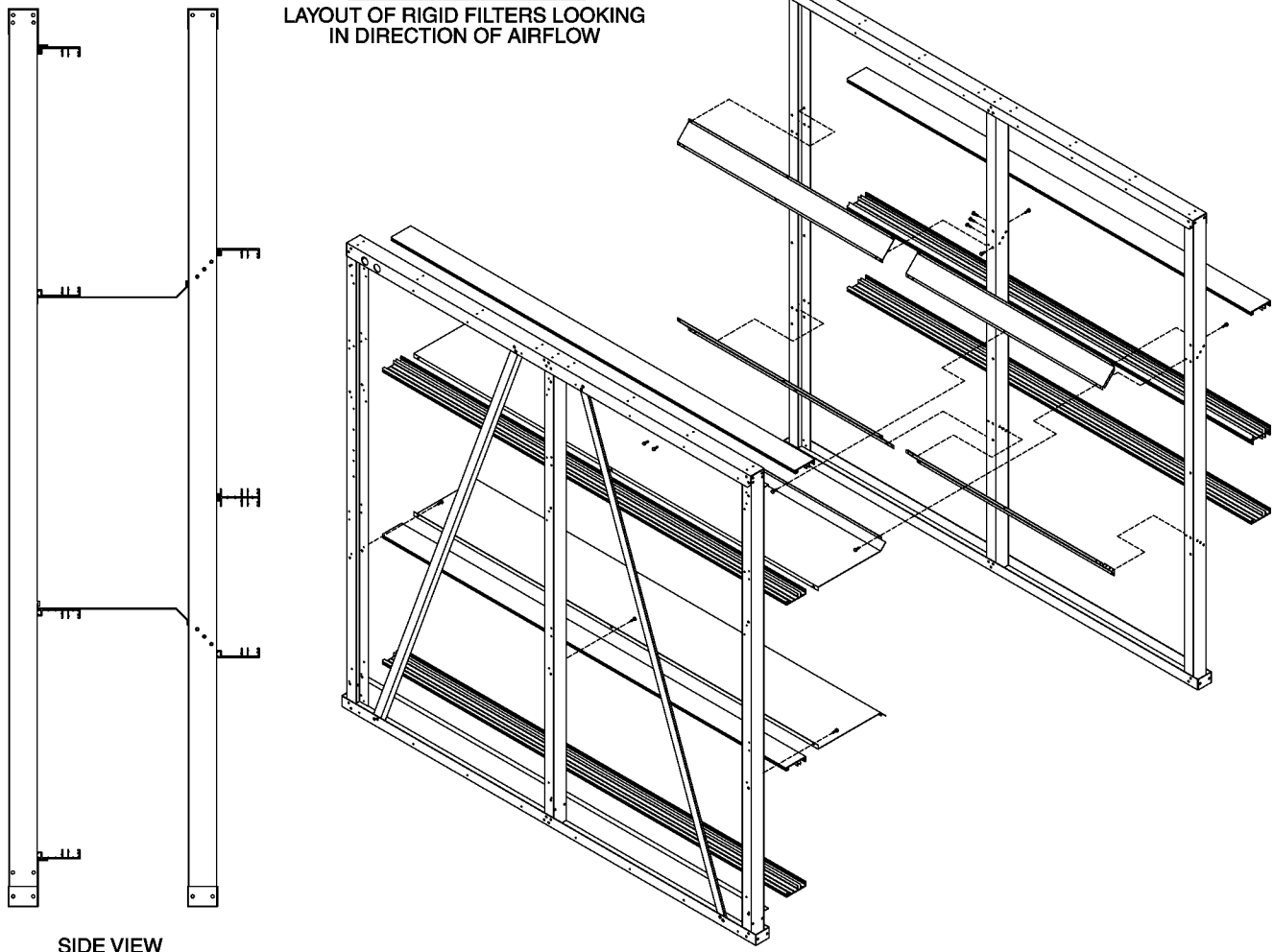


FIGURE 22 - RIGID UNIT FILTERS (70-85 TONS)

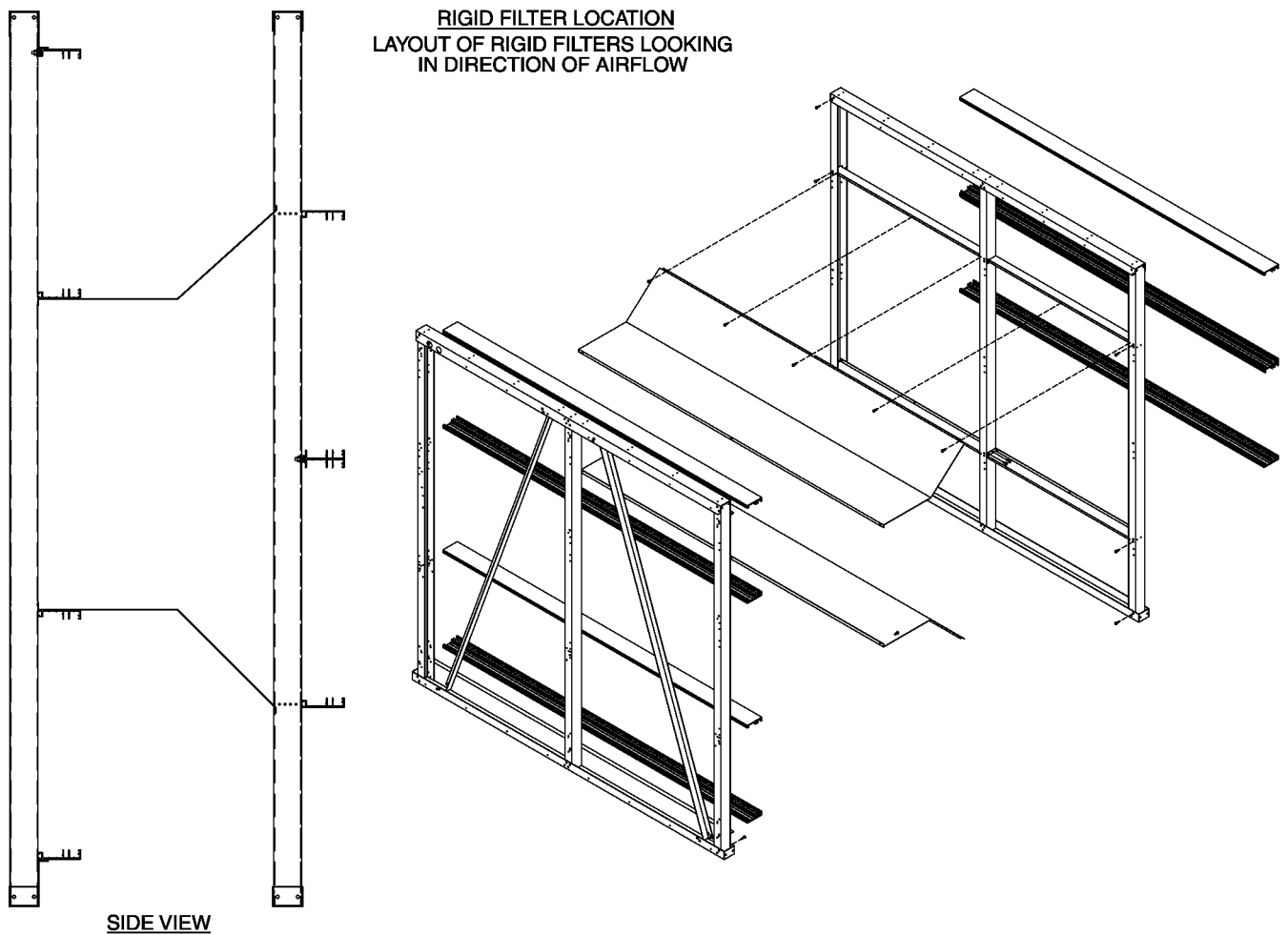
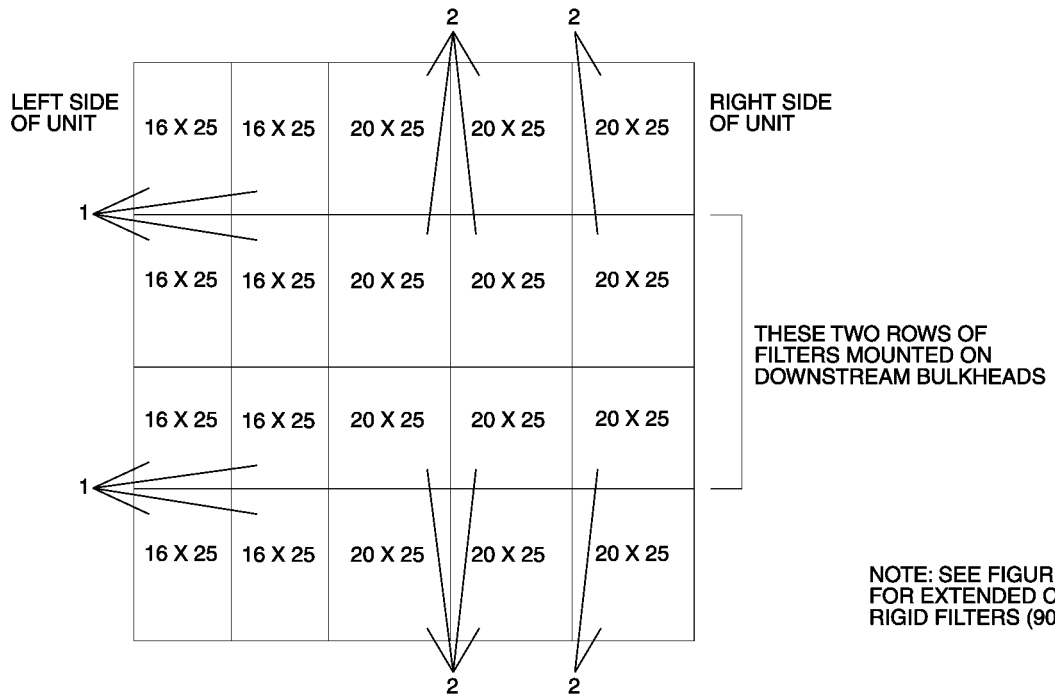


FIGURE 23 - RIGID UNIT FILTERS (90-105 TONS)

TABLE 29 - EVAPORATOR COILS, NONFLEXSYS (R407C AND R22)

FIGURE	ITEM	UNIT SIZE	LOCATION	PART NUMBER		QUANTITY
				ALUMINUM FINS	COPPER FINS	
24	1	50	Bottom	385-01539-102	385-01539-103	1
	2		Top	385-01539-100	385-01539-101	1
24	1	55	Bottom	385-01539-112	385-01539-113	1
	2		Top	385-01539-110	385-01539-111	1
24	1	60	Bottom	385-01539-122	385-01539-123	1
	2		Top	385-01539-120	385-01539-121	1
24	1	65	Bottom	385-01539-132	385-01539-133	1
	2		Top	385-01539-130	385-01539-131	1
24	1	70	Bottom	385-01539-142	385-01539-143	1
	2		Top	385-01539-140	385-01539-141	1
24	1	75	Bottom	385-01539-152	385-01539-153	1
	2		Top	385-01539-150	385-01539-151	1
24	1	80	Bottom	385-01539-162	385-01539-163	1
	2		Top	385-01539-160	385-01539-161	1
24	1	85	Bottom	385-01539-172	385-01539-173	1
	2		Top	385-01539-170	385-01539-171	1
24	1	90	Bottom	385-01539-182	385-01539-183	1
	2		Top	385-01539-180	385-01539-181	1
24	1	95	Bottom	385-01539-192	385-01539-193	1
	2		Top	385-01539-190	385-01539-191	1
25	1	105	Bottom	385-01539-212	385-01539-213	1
	2		Top	385-01539-210	385-01539-211	1

TABLE 30 - EVAPORATOR COILS, FLEXSYS (R407C AND R22)

FIGURE	ITEM	UNIT SIZE	LOCATION	PART NUMBER		QUANTITY
				ALUMINUM FINS	COPPER FINS	
25	1	50	Bottom	385-01273-152	385-01273-153	1
	2		Top	385-01273-150	385-01273-151	1
25	1	55	Bottom	385-01273-252	385-01273-253	1
	2		Top	385-01273-250	385-01273-251	1
25	1	60	Bottom	385-01273-256	385-01273-257	1
	2		Top	385-01273-254	385-01273-255	1
25	1	65	Bottom	385-01273-352	385-01273-353	1
	2		Top	385-01273-350	385-01273-351	1
25	1	70	Bottom	385-01273-452	385-01273-453	1
	2		Top	385-01273-450	385-01273-451	1
25	1	75	Bottom	385-01273-556	385-01273-557	1
	2		Top	385-01273-554	385-01273-555	1
25	1	80	Bottom	385-01273-652	385-01273-653	1
	2		Top	385-01273-650	385-01273-651	1
25	1	85	Bottom	385-01273-552	385-01273-553	1
	2		Top	385-01273-550	385-01273-551	1
25	1	90	Bottom	385-01273-652	385-01273-653	1
	2		Top	385-01273-650	385-01273-651	1
25	1	95	Bottom	385-01273-552	385-01273-553	1
	2		Top	385-01273-550	385-01273-551	1
25	1	105	Bottom	385-01273-560	385-01273-561	1
	2		Top	385-01273-558	385-01273-559	1

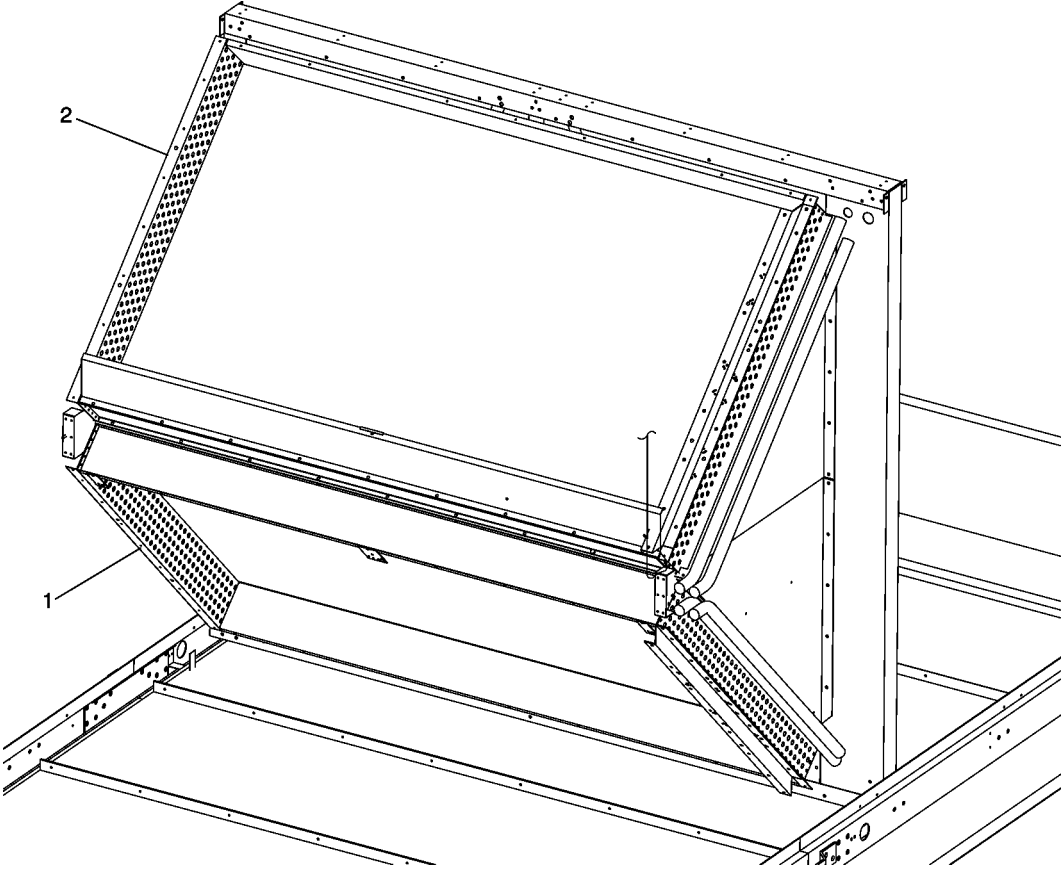


FIGURE 24 - EVAPORATOR COILS, NONFLEXSYS

TABLE 31 - EVAPORATOR FACE DAMPERS, ACTUATORS, AND RELAYS

FIGURE	ITEM	UNIT SIZE	DESCRIPTION	PART NUMBER
25	3	50-65	Control Damper, 32" x 73.5"	026-40703-000
25	3	70-105	Control Damper, 37.75" x 73.5"	026-40703-001
25	4	50-105	Actuator, JCI	025-35774-018
25	4		Actuator, Belimo	025-30958-007
25	5		Relay	024-33137-000
25	6		Bracket, Actuator Mounting	085-01432-000

See Table 78 for description of item 7.

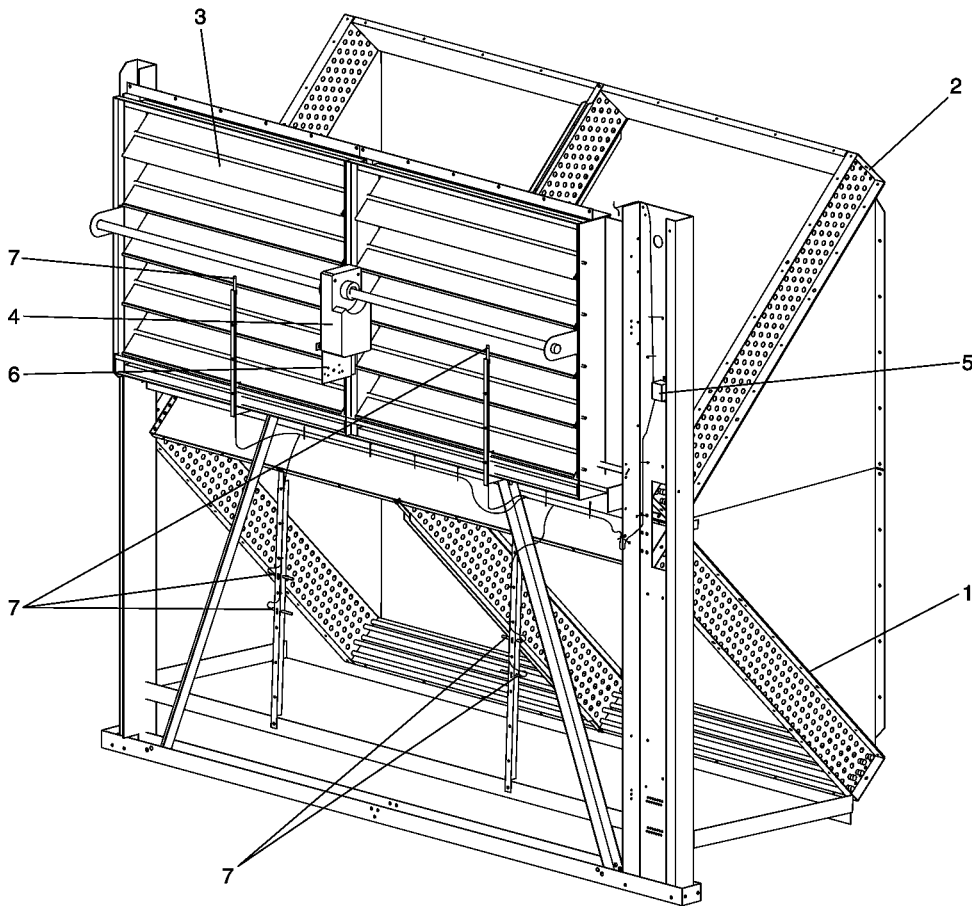
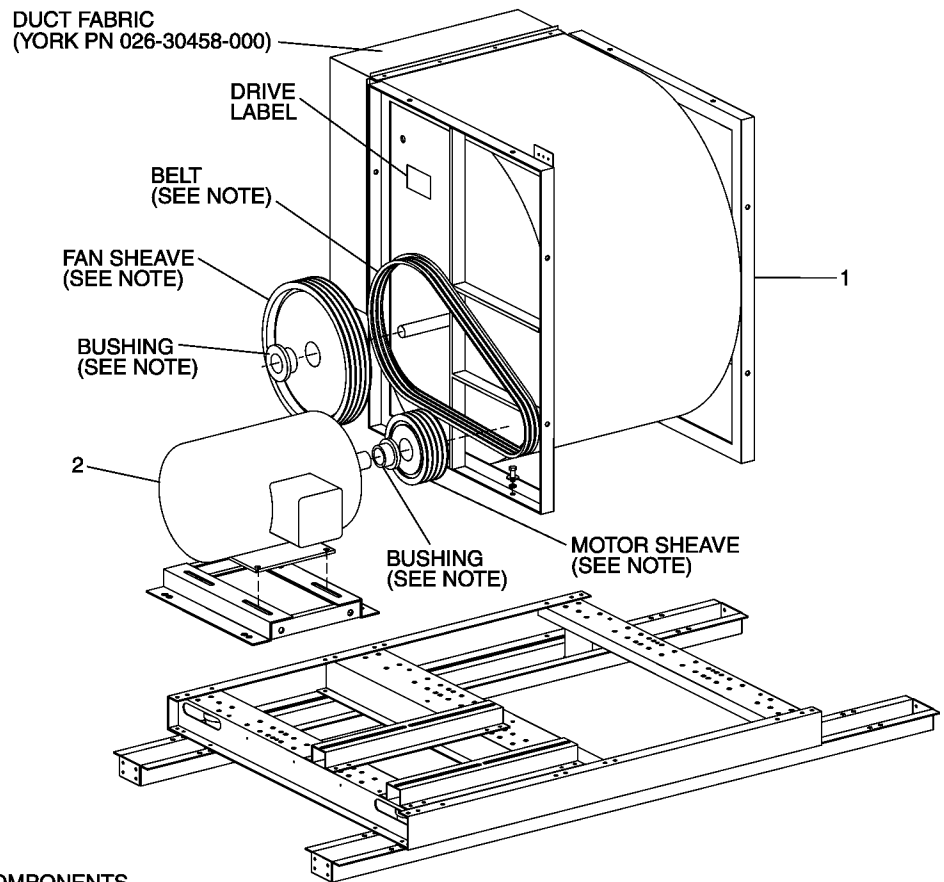


FIGURE 25 - EVAPORATOR COILS (FLEXSYS), FACE DAMPERS, ACTUATORS, AND RELAYS

TABLE 32 - SUPPLY FANS

FIGURE	ITEM	UNIT SIZE	SIZE	TYPE	CLASS	PART NUMBER
26	1	50-65	25-22	Forward-Curved	2	026-36310-425
26	1		25-25	Airfoil	1	026-36313-125
26	1		25-25	Airfoil	2	026-36313-225
27	1	70-85	28-25	Forward-Curved	2	026-36311-428
27	1	70-105	32-32	Airfoil	1	026-36313-132
27	1		32-32	Airfoil	2	026-36313-232
27	1	90-105	28-28	Forward-Curved	2	026-36311-228



NOTE:

PROCURE REPLACEMENT DRIVE COMPONENTS LOCALLY. A DRIVE LABEL, AFFIXED TO THE SUPPLY FAN, LISTS THE DRIVE SPECIFICATIONS. HOWEVER, DUE TO POSSIBLE CHANGES IN THE FIELD, REPLACEMENT PARTS MUST BE VERIFIED AGAINST INSTALLED PARTS SINCE THE INSTALLED PARTS MAY NOT MATCH THE LABEL.

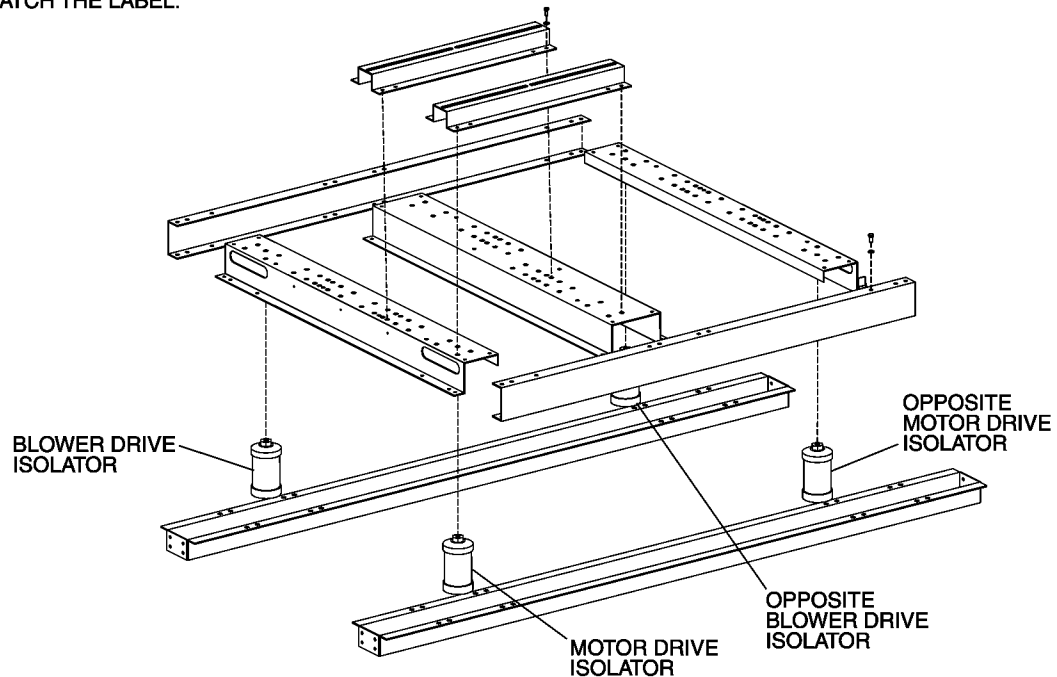


FIGURE 26 - SUPPLY FANS, MOTORS, ISOLATORS, AND DRIVE COMPONENTS (50-65 TONS)

NOTE:
 PROCURE REPLACEMENT DRIVE COMPONENTS LOCALLY. A DRIVE LABEL, AFFIXED TO THE SUPPLY FAN, LISTS THE DRIVE SPECIFICATIONS. HOWEVER, DUE TO POSSIBLE CHANGES IN THE FIELD, REPLACEMENT PARTS MUST BE VERIFIED AGAINST INSTALLED PARTS SINCE THE INSTALLED PARTS MAY NOT MATCH THE LABEL.

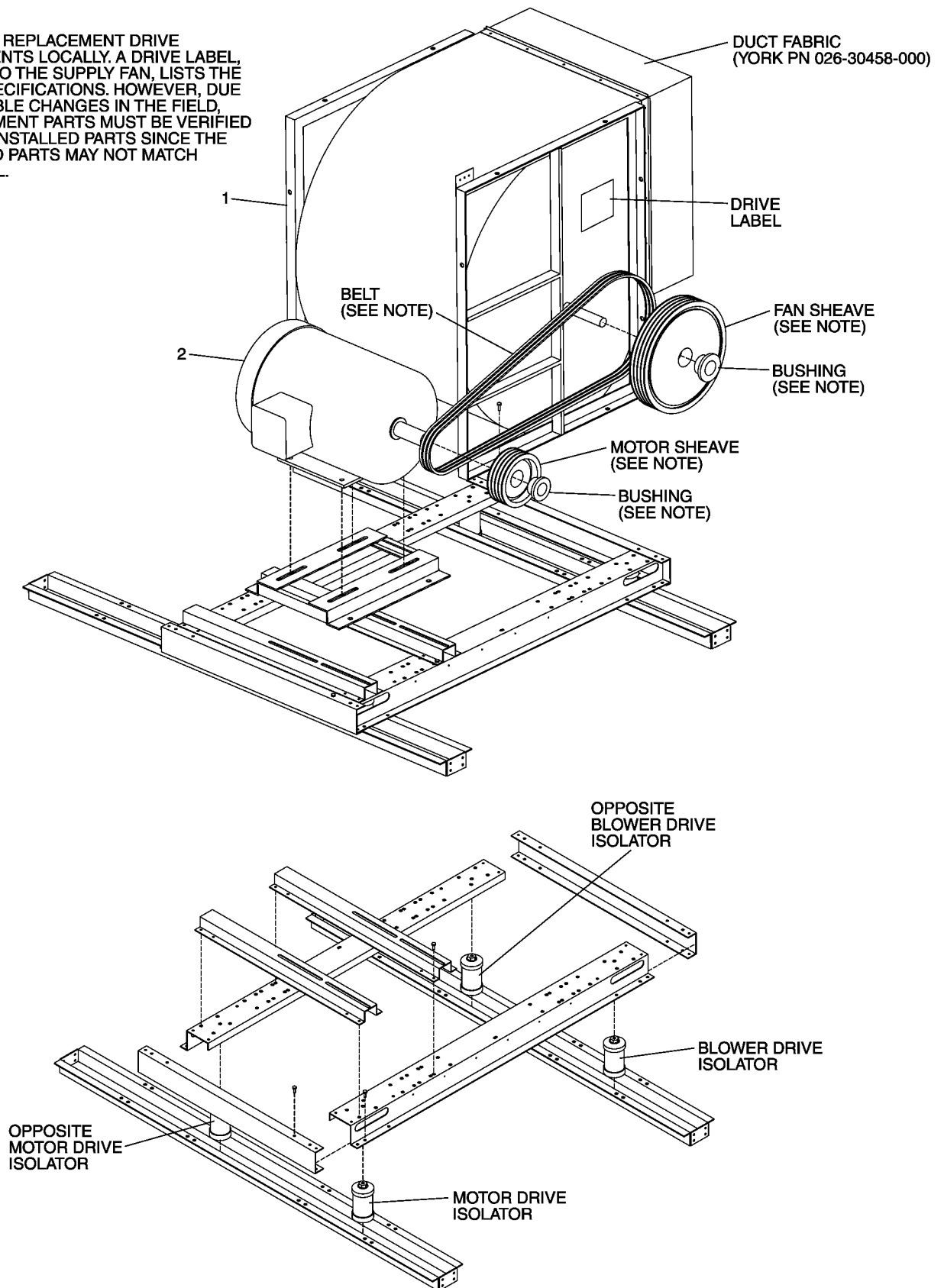


FIGURE 27 - SUPPLY FANS, MOTORS, ISOLATORS, AND DRIVE COMPONENTS (70-105 TONS)

TABLE 33 - SUPPLY FAN MOTORS, ODP, 3 PHASE, 60 HERTZ

FIGURE	ITEM	UNIT SIZE	MOTOR HP	VOLTAGE	STANDARD EFFICIENCY PART NUMBER	HIGH EFFICIENCY PART NUMBER
26, 27	2	50-105	10	200	024-23938-000	024-27060-000
26, 27	2			230	024-23931-000	024-27062-000
26, 27	2			380	024-26236-000	NA
26, 27	2			460	024-23931-000	024-27062-000
26, 27	2			575	024-27011-000	024-27373-000
26, 27	2		15	200	024-23939-000	024-27063-000
26, 27	2			230	024-23932-000	024-27064-000
26, 27	2			380	024-26237-000	NA
26, 27	2			460	024-23932-000	024-27064-000
26, 27	2			575	024-27012-000	024-27374-000
26, 27	2		20	200	024-23940-000	024-27065-000
26, 27	2			230	024-23933-000	024-27066-000
26, 27	2			380	024-26238-000	NA
26, 27	2			460	024-23933-000	024-27066-000
26, 27	2			575	024-27013-000	024-27375-000
26, 27	2		25	200	024-23941-000	024-27067-000
26, 27	2			230	024-23934-000	024-27068-000
26, 27	2			380	024-26239-000	NA
26, 27	2			460	024-23934-000	024-27068-000
26, 27	2			575	024-27014-000	024-27376-000
26, 27	2		30	200	024-26265-000	024-27069-000
26, 27	2			230	024-23191-000	024-27070-000
26, 27	2			380	024-26240-000	NA
26, 27	2			460	024-23191-000	024-27070-000
26, 27	2			575	024-27015-000	024-27377-000
26, 27	2		40	200	024-26266-000	024-27071-000
26, 27	2			230	024-23195-000	024-27072-000
26, 27	2			380	024-26241-000	NA
26, 27	2	460		024-23195-000	024-27072-000	
26, 27	2	575		024-27016-000	024-27378-000	
27	2	70-105	50	200	024-14920-000	024-27073-000
27	2			230	024-23196-000	024-27074-000
27	2			380	024-26242-000	NA
27	2			460	024-23196-000	024-27074-000
27	2			575	024-27017-000	024-27392-000
27	2		60	200	024-27396-000	024-27075-000
27	2			230	024-23197-000	024-27076-000
27	2			380	024-26243-000	NA
27	2			460	024-23197-000	024-27076-000
27	2			575	024-27018-000	024-27393-000

TABLE 34 - SUPPLY FAN MOTORS, TEFC, 3 PHASE, 60 HERTZ

FIGURE	ITEM	UNIT SIZE	MOTOR HP	VOLTAGE	STANDARD EFFICIENCY PART NUMBER	HIGH EFFICIENCY PART NUMBER	
26, 27	2	50-105	10	200	024-23924-000	024-27087-000	
26, 27	2			230	024-23917-000	024-27088-000	
26, 27	2			380	024-26251-000	NA	
26, 27	2			460	024-23917-000	024-27088-000	
26, 27	2			575	024-27043-000	024-27347-000	
26, 27	2		15	15	200	024-23925-000	024-27089-000
26, 27	2				230	024-23918-000	024-27090-000
26, 27	2				380	024-26252-000	NA
26, 27	2				460	024-23918-000	024-27090-000
26, 27	2				575	024-27314-000	024-27349-000
26, 27	2		20	20	200	024-27336-000	024-27097-000
26, 27	2				230	024-23919-000	024-27098-000
26, 27	2				380	024-26253-000	NA
26, 27	2				460	024-23919-000	024-27098-000
26, 27	2				575	024-27029-000	024-27351-000
26, 27	2		25	25	200	024-27338-000	024-27099-000
26, 27	2				230	024-23920-000	024-27300-000
26, 27	2				380	024-26254-000	NA
26, 27	2				460	024-23920-000	024-27300-000
26, 27	2				575	024-27030-000	024-27353-000
26, 27	2		30	30	200	024-26271-000	024-30744-000
26, 27	2				230	024-26282-000	024-27301-000
26, 27	2				380	024-26255-000	NA
26, 27	2				460	024-26282-000	024-27301-000
26, 27	2				575	024-27031-000	024-27355-000
26, 27	2		40	40	200	024-27341-000	024-30745-000
26, 27	2				230	024-26283-000	024-27302-000
26, 27	2				380	024-26256-000	NA
26, 27	2				460	024-26283-000	024-27302-000
26, 27	2				575	024-27032-000	024-27357-000
27	2	70-105	50	200	024-27096-000	024-27391-000	
27	2			230	024-26284-000	024-27303-000	
27	2			380	024-26257-000	NA	
27	2			460	024-26284-000	024-27303-000	
27	2			575	024-27049-000	024-27319-000	
27	2		60	60	200	024-27394-000	024-27395-000
27	2				230	024-26285-000	024-27304-000
27	2				380	024-26258-000	NA
27	2				460	024-26285-000	024-27304-000
27	2				575	024-27034-000	024-27320-000

TABLE 35 - SUPPLY FAN MOTORS, ODP AND TEFC, 3 PHASE, 50 HERTZ

FIGURE	ITEM	UNIT SIZE	MOTOR HP	VOLTAGE	ODP STANDARD EFFICIENCY PART NUMBER	TEFC STANDARD EFFICIENCY PART NUMBER
26, 27	2	50-105	10	400	024-27325-000	024-27334-000
26, 27	2		15	400	024-27326-000	024-27335-000
26, 27	2		20	400	024-27327-000	024-27337-000
26, 27	2		25	400	024-27379-000	024-27339-000
26, 27	2		30	400	024-27381-000	024-27340-000
26, 27	2		40	400	024-27383-000	024-27342-000
27	2	70-105	50	400	024-27385-000	024-27389-000
27	2		60	400	024-27387-000	024-27390-000

TABLE 36 - SUPPLY FAN (FORWARD-CURVED) ONE-INCH SPRING ISOLATORS

FIGURE	UNIT SIZE	MOTOR HP	FAN CLASS	BLOWER DRIVE	OPPOSITE BLOWER DRIVE	MOTOR DRIVE	OPPOSITE MOTOR DRIVE
26	50-65	10	2	029-21363-004	029-21363-004	029-21363-002	029-21363-003
26		15	2	029-21363-005	029-21363-004	029-21363-004	029-21363-004
26		20	2	029-21363-005	029-21363-004	029-21363-004	029-21363-004
26		25	2	029-21363-005	029-21363-004	029-21363-005	029-21363-005
26		30	2	029-21363-006	029-21363-004	029-21363-005	029-21363-005
26		40	2	029-21363-006	029-21363-005	029-21363-006	029-21363-006
27	70-85	10	2	029-21363-005	029-21363-001	029-21363-005	029-21363-003
27		15	2	029-21363-005	029-21363-002	029-21363-006	029-21363-004
27		20	2	029-21363-005	029-21363-002	029-21363-006	029-21363-004
27		25	2	029-21363-005	029-21363-003	029-21363-006	029-21363-005
27		30	2	029-21363-005	029-21363-003	029-21363-006	029-21363-005
27		40	2	029-21363-006	029-21363-004	029-21363-008	029-21363-006
27	90-105	50	2	029-21363-006	029-21363-004	029-21363-008	029-21363-006
27		10	2	029-21363-005	029-21363-001	029-21363-005	029-21363-003
27		15	2	029-21363-005	029-21363-002	029-21363-006	029-21363-004
27		20	2	029-21363-005	029-21363-002	029-21363-006	029-21363-004
27		25	2	029-21363-005	029-21363-002	029-21363-006	029-21363-005
27		30	2	029-21363-005	029-21363-003	029-21363-006	029-21363-005
27		40	2	029-21363-006	029-21363-003	029-21363-008	029-21363-006
27		50	2	029-21363-006	029-21363-003	029-21363-008	029-21363-006
27	60	2	029-21363-006	029-21363-005	029-21363-008	029-21363-006	

TABLE 37 - SUPPLY FAN (FORWARD-CURVED) TWO-INCH SPRING ISOLATORS

FIGURE	UNIT SIZE	MOTOR HP	FAN CLASS	BLOWER DRIVE	OPPOSITE BLOWER DRIVE	MOTOR DRIVE	OPPOSITE MOTOR DRIVE
26	50-65	10	2	029-21330-604	029-21330-604	029-21330-603	029-21330-604
26		15	2	029-21330-604	029-21330-604	029-21330-604	029-21330-604
26		20	2	029-21330-606	029-21330-604	029-21330-604	029-21330-604
26		25	2	029-21330-606	029-21330-604	029-21330-606	029-21330-606
26		30	2	029-21330-606	029-21330-604	029-21330-606	029-21330-606
26		40	2	029-21330-606	029-21330-606	029-21330-606	029-21330-606
27	70-85	10	2	029-21330-606	029-21330-601	029-21330-606	029-21330-603
27		15	2	029-21330-606	029-21330-602	029-21330-606	029-21330-604
27		20	2	029-21330-606	029-21330-602	029-21330-606	029-21330-604
27		25	2	029-21330-606	029-21330-603	029-21330-606	029-21330-606
27		30	2	029-21330-606	029-21330-604	029-21330-606	029-21330-606
27		40	2	029-21330-606	029-21330-604	029-21330-607	029-21330-606
27	90-105	50	2	029-21330-606	029-21330-604	029-21330-608	029-21330-606
27		10	2	029-21330-606	029-21330-601	029-21330-604	029-21330-603
27		15	2	029-21330-606	029-21330-602	029-21330-606	029-21330-603
27		20	2	029-21330-606	029-21330-602	029-21330-606	029-21330-604
27		25	2	029-21330-606	029-21330-602	029-21330-606	029-21330-604
27		30	2	029-21330-606	029-21330-603	029-21330-606	029-21330-606
27		40	2	029-21330-606	029-21330-603	029-21330-606	029-21330-606
27		50	2	029-21330-606	029-21330-603	029-21330-607	029-21330-606
27	60	2	029-21330-606	029-21330-606	029-21330-607	029-21330-606	

TABLE 38 - SUPPLY FAN (AIRFOIL) ONE-INCH SPRING ISOLATORS

FIGURE	UNIT SIZE	MOTOR HP	FAN CLASS	BLOWER DRIVE	OPPOSITE BLOWER DRIVE	MOTOR DRIVE	OPPOSITE MOTOR DRIVE
26	50-65	10	1	029-21363-004	029-21363-004	029-21363-003	029-21363-003
			2	029-21363-005	029-21363-004	029-21363-003	029-21363-004
26		15	1	029-21363-005	029-21363-003	029-21363-004	029-21363-004
			2	029-21363-005	029-21363-004	029-21363-004	029-21363-004
26		20	1	029-21363-005	029-21363-003	029-21363-005	029-21363-004
			2	029-21363-005	029-21363-004	029-21363-005	029-21363-004
26		25	2	029-21363-006	029-21363-004	029-21363-005	029-21363-005
26		30	2	029-21363-006	029-21363-003	029-21363-006	029-21363-005
26		40	2	029-21363-006	029-21363-002	029-21363-006	029-21363-005
27		70-105	15	1	029-21363-006	029-21363-002	029-21363-005
27	2			029-21363-006	029-21363-002	029-21363-005	029-21363-004
27	20		1	029-21363-006	029-21363-002	029-21363-005	029-21363-004
27			2	029-21363-006	029-21363-002	029-21363-006	029-21363-004
27	25		1	029-21363-006	029-21363-002	029-21363-006	029-21363-005
27			2	029-21363-006	029-21363-002	029-21363-006	029-21363-005
27	30		1	029-21363-006	029-21363-002	029-21363-006	029-21363-005
27			2	029-21363-006	029-21363-002	029-21363-006	029-21363-005
27	40		2	029-21363-008	029-21363-003	029-21363-008	029-21363-006
27	50		2	029-21363-008	029-21363-003	029-21363-008	029-21363-006
27	60		2	029-21363-008	029-21363-003	029-21363-008	029-21363-006

TABLE 39 - SUPPLY FAN (AIRFOIL) TWO-INCH SPRING ISOLATORS

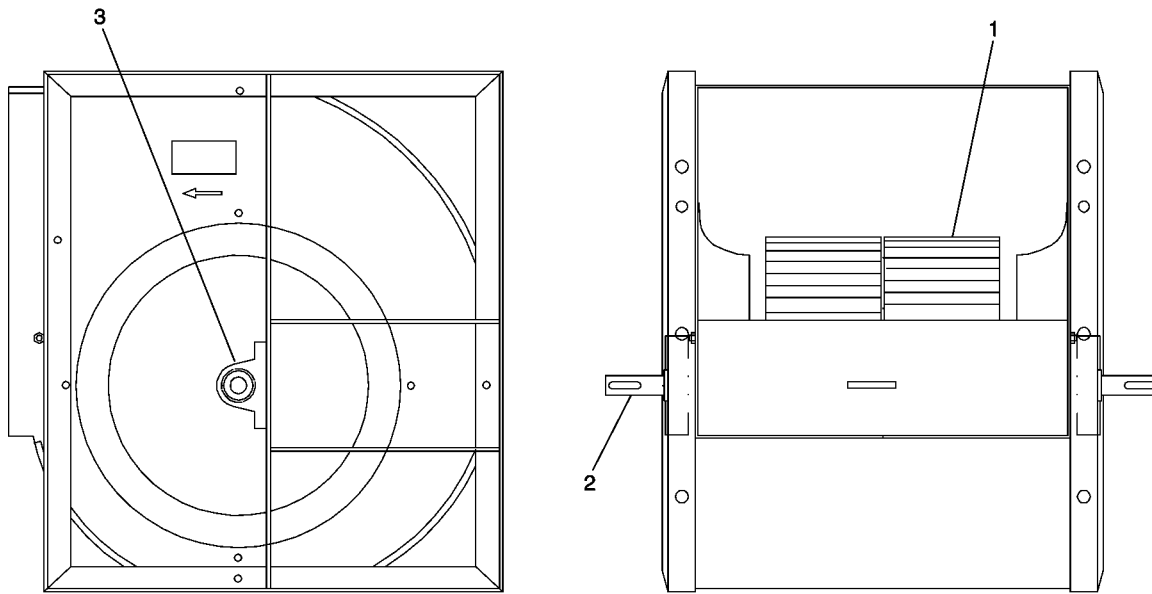
FIGURE	UNIT SIZE	MOTOR HP	FAN CLASS	BLOWER DRIVE	OPPOSITE BLOWER DRIVE	MOTOR DRIVE	OPPOSITE MOTOR DRIVE
26	50-65	10	1	029-21330-606	029-21330-604	029-21330-608	029-21330-606
			2	029-21330-606	029-21330-603	029-21330-606	029-21330-604
26		15	1	029-21330-604	029-21330-603	029-21330-603	029-21330-604
			2	029-21330-604	029-21330-604	029-21330-603	029-21330-604
26		20	1	029-21330-606	029-21330-603	029-21330-604	029-21330-604
			2	029-21330-606	029-21330-604	029-21330-604	029-21330-604
26		25	2	029-21330-606	029-21330-604	029-21330-606	029-21330-606
			30	2	029-21330-606	029-21330-604	029-21330-606
26		40		2	029-21330-606	029-21330-603	029-21330-606
			27	15	1	029-21330-606	029-21330-602
2	029-21330-606	029-21330-603			029-21330-606	029-21330-606	
27	20	1	029-21330-606	029-21330-603	029-21330-606	029-21330-606	029-21330-604
		2	029-21330-606	029-21330-603	029-21330-606	029-21330-606	029-21330-604
27	25	1	029-21330-606	029-21330-603	029-21330-603	029-21330-606	029-21330-604
		2	029-21330-606	029-21330-603	029-21330-606	029-21330-606	029-21330-604
27	30	1	029-21330-606	029-21330-603	029-21330-603	029-21330-606	029-21330-606
		2	029-21330-606	029-21330-603	029-21330-606	029-21330-606	029-21330-606
27	40	2	029-21330-606	029-21330-603	029-21330-603	029-21330-606	029-21330-606
		27	50	2	029-21330-607	029-21330-603	029-21330-607
27	60			2	029-21330-607	029-21330-603	029-21330-607

TABLE 40 - ISOLATOR PART NUMBER IDENTIFICATION BY COLOR

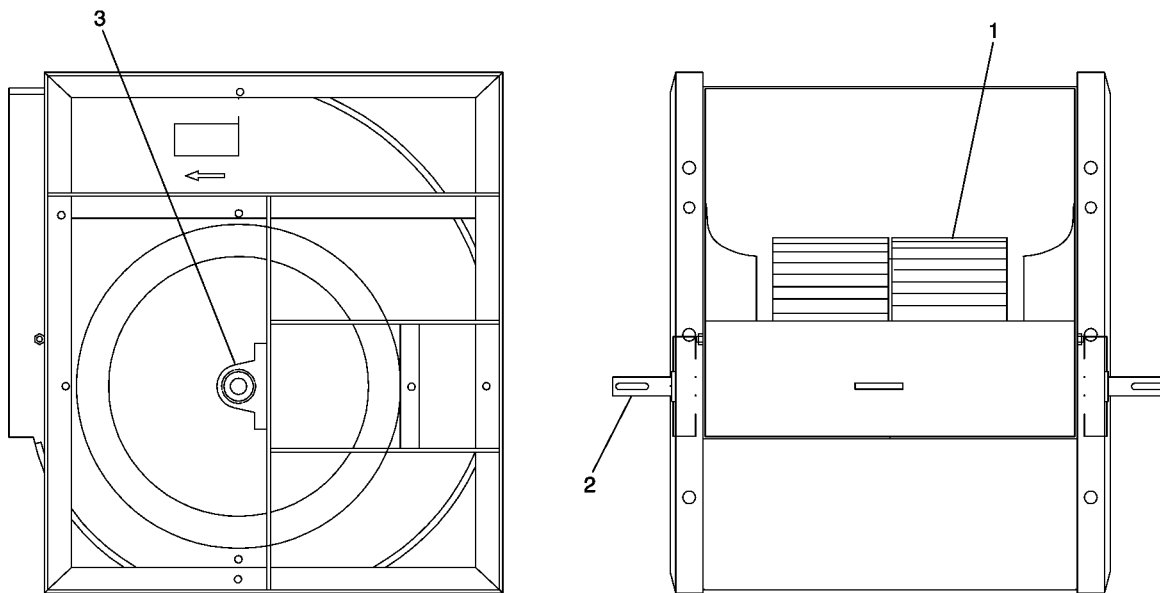
ONE INCH SPRING ISOLATORS		TWO INCH SPRING ISOLATORS	
COLOR	PART NUMBER	COLOR	PART NUMBER
Blue	029-21363-001	Blue	029-21330-601
Blue/Pink	029-21363-002	Yellow	029-21330-602
Blue/Black	029-21363-003	Black	029-21330-603
Blue/Blue	029-21363-004	Purple	029-21330-604
Black	029-21363-005	Red	029-21330-606
Black/Yellow	029-21363-006	Red/Black	029-21330-607
Red/Brown	029-21363-008	Red/Green	029-21330-608

TABLE 41 - SUPPLY FAN REPLACEMENT PARTS

FIGURE	ITEM	SUPPLY FAN PART NUMBER	TYPE	PART DESCRIPTION	QUANTITY	PART NUMBER
28	1	026-36310-425	Forward-Curved	Wheel	1	CAJ74600264
28	2			Shaft	1	CAJ74604384
28	3			Bearing	2	CAJ99913322
28	1	026-36311-428 	Forward-Curved	Wheel	1	CAJ75200263
28	2			Shaft	1	CAJ75204384
28	3			Bearing	2	CAJ99913322
28	1	026-36311-228	Forward-Curved	Wheel	1	CAJ75400263
28	2			Shaft	1	CAJ75404384
28	3			Bearing	2	CAJ99913297
29	1	026-36313-125	Airfoil	Wheel	1	CAJ848E0261
29	2			Shaft	1	CAJ74804382
29	3			Bearing	2	CAJ99913299
29	1	026-36313-225	Airfoil	Wheel	1	CAJ848E0262
29	2			Shaft	1	CAJ74804383
29	3			Bearing	2	CAJ99913299
29	1	026-36313-132	Airfoil	Wheel	1	CAJ866E0260
29	2			Shaft	1	CAJ76604382
29	3			Bearing	2	CAJ99913296
29	1	026-36313-232	Airfoil	Wheel	1	CAJ866E0261
29	2			Shaft	1	CAJ76604383
29	3			Bearing	2	CAJ99913296

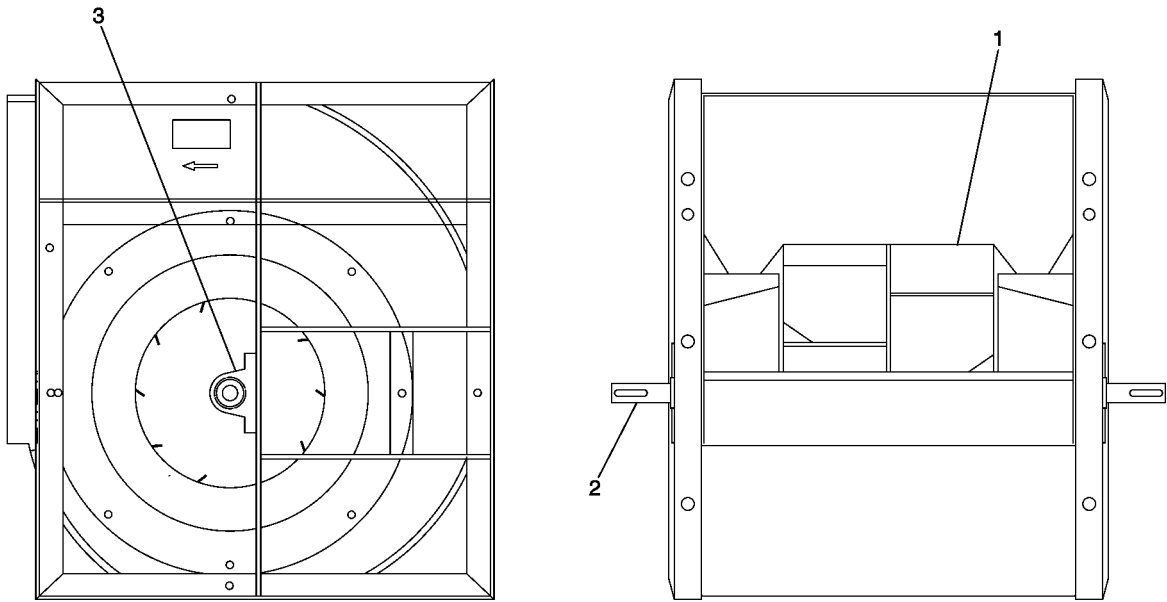


026-36310-425

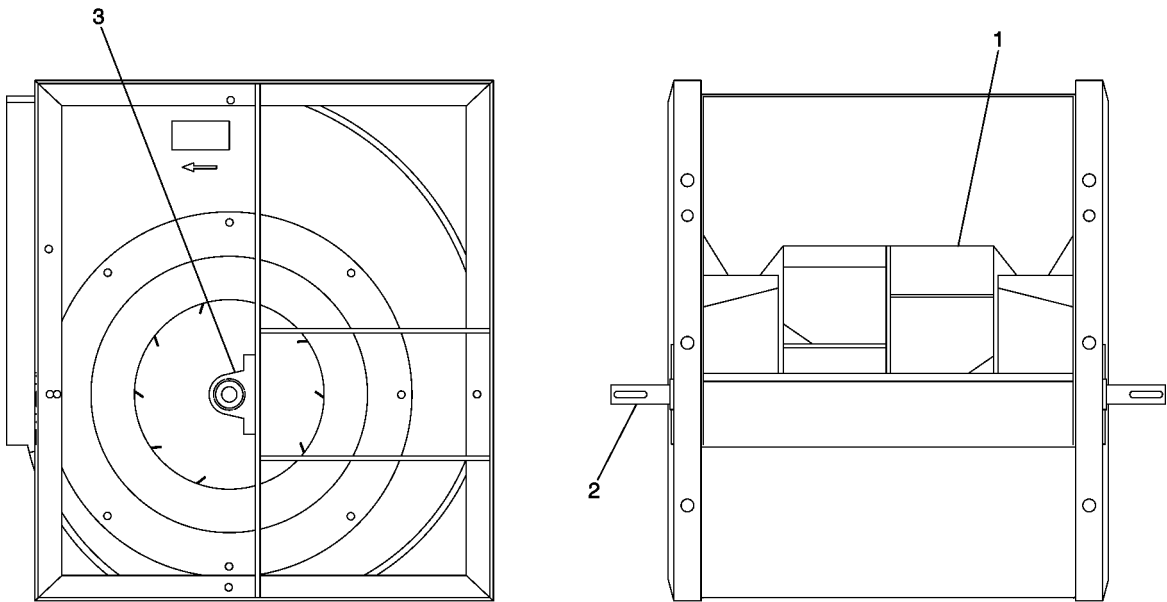


026-36311-428 AND 026-36311-228

FIGURE 28 - SUPPLY FAN (FORWARD-CURVED) REPLACEMENT PARTS



026-36313-132 AND 026-36313-232



026-36313-125 AND 026-36313-225

FIGURE 29 - SUPPLY FAN (AIRFOIL) REPLACEMENT PARTS

TABLE 42 - SUPPLY FAN MOTOR VARIABLE FREQUENCY DRIVES

FIGURE	ITEM	UNIT SIZE	MOTOR HP	PART NUMBER				
				200-230 VOLTS (60 HERTZ)	460 VOLTS (60 HERTZ)	575 VOLTS (60 HERTZ)	400 VOLTS (50 HERTZ)	380 VOLTS (60 HERTZ)
30	1	50-105	10	025-36261-005	025-36263-005	025-36265-002	025-36263-006	025-36263-006
30	1		15	025-36261-006	025-36263-006	025-36265-003	025-36263-007	025-36263-007
30	1		20	025-36261-007	025-36263-007	025-36265-004	025-36263-008	025-36263-008
30	1		25	025-36261-008	025-36263-008	025-36265-005	025-36263-009	025-36263-009
30	1		30	025-36261-009	025-36263-009	025-36265-006	025-36263-010	025-36263-010
30	1		40	025-36261-010	025-36263-010	025-36265-007	025-36263-011	025-36263-011
30	1	70-105	50	025-36261-011	025-36263-011	025-36265-008	025-36263-012	025-36263-012
30	1		60	025-36261-012	025-36263-012	025-36265-009	025-36263-013	025-36263-013

TABLE 43 - SUPPLY FAN MOTOR VFD BYPASS BOXES

FIGURE	ITEM	UNIT SIZE	MOTOR HP	PART NUMBER				
				200 VOLTS (60 HERTZ)	230 VOLTS (60 HERTZ)	460 VOLTS (60 HERTZ)	575 VOLTS (60 HERTZ)	400 VOLTS (50 HERTZ) 380 VOLTS (60 HERTZ)
30	2	50-105	10	325-36321-006	325-36321-005	325-36321-003	325-36321-002	325-36321-003
30	2		15	325-36321-007	325-36321-007	325-36321-004	325-36321-003	325-36321-005
30	2		20	325-36321-008	325-36321-008	325-36321-004	325-36321-004	325-36321-006
30	2		25	325-36321-009 ¹	325-36321-009 ¹	325-36321-005	325-36321-005	325-36321-007
30	2		30	325-36321-010 ¹	325-36321-010 ¹	325-36321-006	325-36321-006	325-36321-008
30	2		40	325-36321-011 ²	325-36321-010 ¹	325-36321-007	325-36321-007	325-36321-009 ¹
30	2	70-105	50	325-36321-012 ²	325-36321-011 ²	325-36321-008	325-36321-008	325-36321-009 ¹
30	2		60	325-36321-012 ²	325-36321-012 ²	325-36321-009 ¹	325-36321-008	325-36321-010 ¹

See Table 47 for VFD Bypass Box Replacement Parts.

Bypass boxes = 12 x 16 except where noted.

¹Bypass boxes = 16 x 16.

²Bypass boxes = 16 x 20.

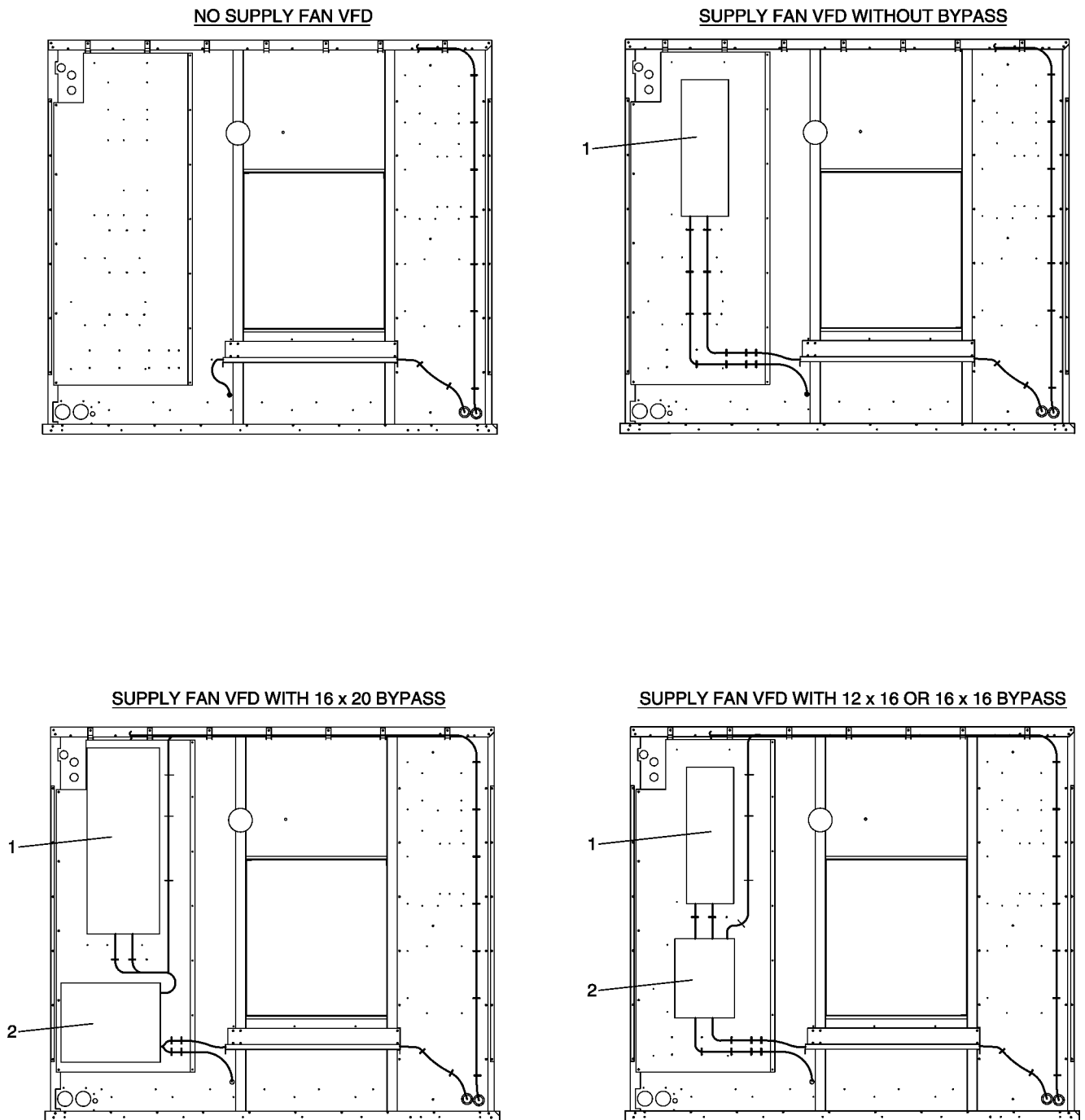


FIGURE 30 - SUPPLY FAN MOTOR VFD AND VFD BYPASS BOX

TABLE 44 - EXHAUST FAN MOTOR VARIABLE FREQUENCY DRIVES

FIGURE	ITEM	UNIT SIZE	MOTOR HP	PART NUMBER				
				200-230 VOLTS (60 HERTZ)	460 VOLTS (60 HERTZ)	575 VOLTS (60 HERTZ)	400 VOLTS (50 HERTZ)	380 VOLTS (60 HERTZ)
31	3	50-105	5	025-36261-003	025-36263-003	025-36265-000	025-36263-003	025-36263-003
31	3		7.5	025-36261-004	025-36263-004	025-36265-001	025-36263-005	025-36263-005
31	3		10	025-36261-005	025-36263-005	025-36265-002	025-36263-006	025-36263-006
31	3		15	025-36261-006	025-36263-006	025-36265-003	025-36263-007	025-36263-007
31	3		20	025-36261-007	025-36263-007	025-36265-004	025-36263-008	025-36263-008
31	3	70-105	25	025-36261-008	025-36263-008	025-36265-005	025-36263-009	025-36263-009
31	3		30	025-36261-009	025-36263-009	025-36265-006	025-36263-010	025-36263-010

TABLE 45 - RETURN FAN MOTOR VARIABLE FREQUENCY DRIVES

FIGURE	ITEM	UNIT SIZE	MOTOR HP	PART NUMBER				
				200-230 VOLTS (60 HERTZ)	460 VOLTS (60 HERTZ)	575 VOLTS (60 HERTZ)	400 VOLTS (50 HERTZ)	380 VOLTS (60 HERTZ)
31	3	50-105	5	025-36261-005	025-36263-005	025-36265-002	025-36263-006	025-36263-006
31	3		7.5	025-36261-006	025-36263-006	025-36265-003	025-36263-007	025-36263-007
31	3		10	025-36261-007	025-36263-007	025-36265-004	025-36263-008	025-36263-008
31	3		15	025-36261-009	025-36263-009	025-36265-006	025-36263-010	025-36263-010
31	3	90-105	20	025-36261-010	025-36263-010	025-36265-007	025-36263-011	025-36263-011

TABLE 46 - EXHAUST FAN MOTOR VFD BYPASS BOXES

FIGURE	ITEM	UNIT SIZE	MOTOR HP	PART NUMBER				
				200-230 VOLTS (60 HERTZ)	460 VOLTS (60 HERTZ)	575 VOLTS (60 HERTZ)	400 VOLTS (50 HERTZ)	380 VOLTS (60 HERTZ)
31	4	50-105	5	NA	325-36321-001	325-36321-001	325-36321-002	325-36321-002
31	4		7.5	NA	325-36321-002	325-36321-001	325-36321-003	325-36321-003
31	4		10	NA	325-36321-003	325-36321-002	325-36321-003	325-36321-003
31	4		15	NA	325-36321-004	325-36321-003	325-36321-005	325-36321-005
31	4		20	NA	325-36321-004	325-36321-004	325-36321-006	325-36321-006
31	4	70-105	25	NA	325-36321-005	325-36321-005	325-36321-007	325-36321-007
31	4		30	NA	325-36321-006	325-36321-006	325-36321-008	325-36321-008

See Table 47 for VFD Bypass Box Replacement Parts.

All bypass boxes = 12 x 16.

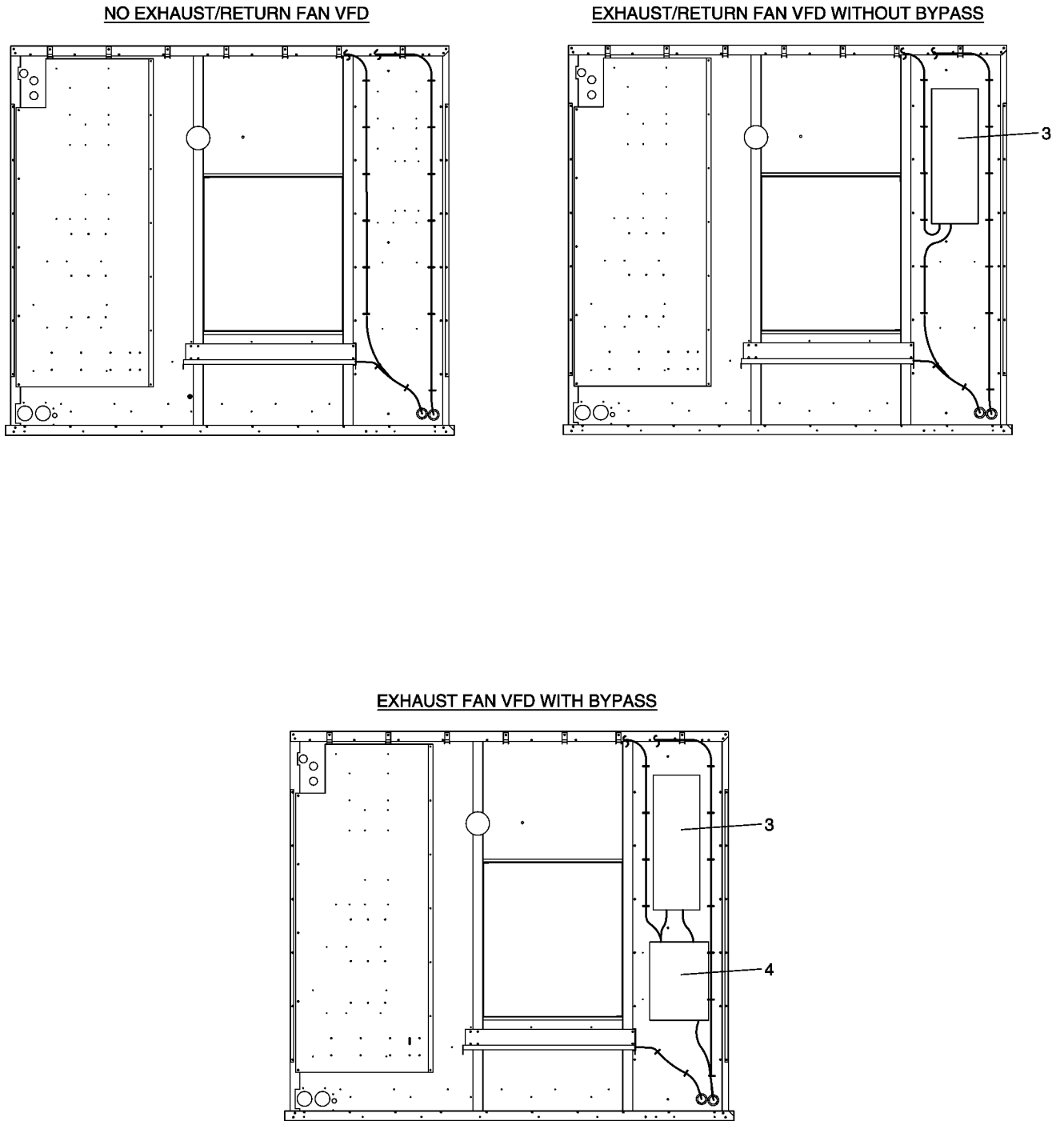


FIGURE 31 - EXHAUST FAN MOTOR VFD AND VFD BYPASS BOX

TABLE 47 - VFD BYPASS BOX REPLACEMENT PARTS

FIGURE	ITEM	VFD BYPASS BOX PART NUMBER	PART DESCRIPTION	PART NUMBER	QUANTITY
32	1	325-36321-001	Contactors	024-34300-000	3
32	2		Surge Suppressor	031-02106-000	2
32	3		Surge Suppressor	031-02104-000	1
32	4		Overload Relay	024-34321-000	1
32	1	325-36321-002	Contactors	024-34304-000	3
32	2		Surge Suppressor	031-02106-000	2
32	3		Surge Suppressor	031-02104-000	1
32	4		Overload Relay	024-34322-000	1
32	1	325-36321-003	Contactors	024-34305-000	3
32	2		Surge Suppressor	031-02106-000	2
32	3		Surge Suppressor	031-02104-000	1
32	4		Overload Relay	024-34323-000	1
32	1	325-36321-004	Contactors	024-34306-000	3
32	2		Surge Suppressor	031-02106-000	2
32	3		Surge Suppressor	031-02104-000	1
32	4		Overload Relay	024-34324-000	1
33	1	325-36321-005	Contactors	024-34307-000	3
33	2		Surge Suppressor	031-02101-000	3
33	4		Overload Relay	024-34325-000	1
33	1	325-36321-006	Contactors	024-34308-000	3
33	2		Surge Suppressor	031-02101-000	3
33	4		Overload Relay	024-34326-000	1
33	1	325-36321-007	Contactors	024-34309-000	3
33	2		Surge Suppressor	031-02101-000	3
33	4		Overload Relay	024-34327-000	1
34	1	325-36321-008	Contactors	024-34310-000	3
34	2		Surge Suppressor	031-02101-000	3
34	4		Overload Relay	024-34328-000	1
35	1	325-36321-009	Contactors	024-31109-000	3
35	2		Surge Suppressor	031-02203-000	3
35	4		Overload Relay	024-34329-000	1
35	1	325-36321-010	Contactors	024-31110-000	3
35	2		Surge Suppressor	031-02203-000	3
35	4		Overload Relay	024-33133-000	1
36	1	325-36321-011	Contactors	024-31891-000	3
36	2		Surge Suppressor	031-02203-000	3
36	4		Overload Relay	024-34295-000	1
36	1	325-36321-012	Contactors	024-31892-000	3
36	2		Surge Suppressor	031-02203-000	3
36	4		Overload Relay	024-34296-000	1
32-36	5	All	Selector Switch	028-14329-000	1
	6		Contact Block	028-14330-000	3

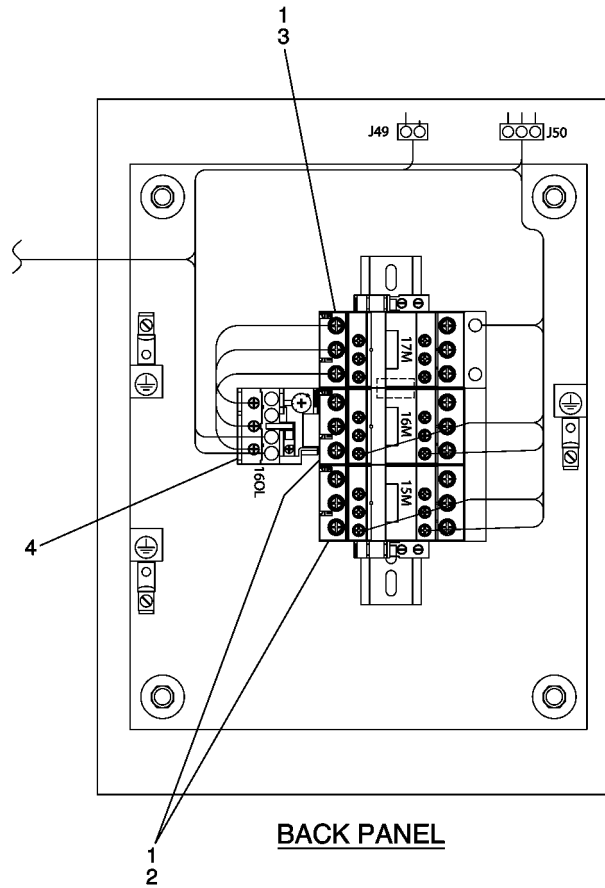
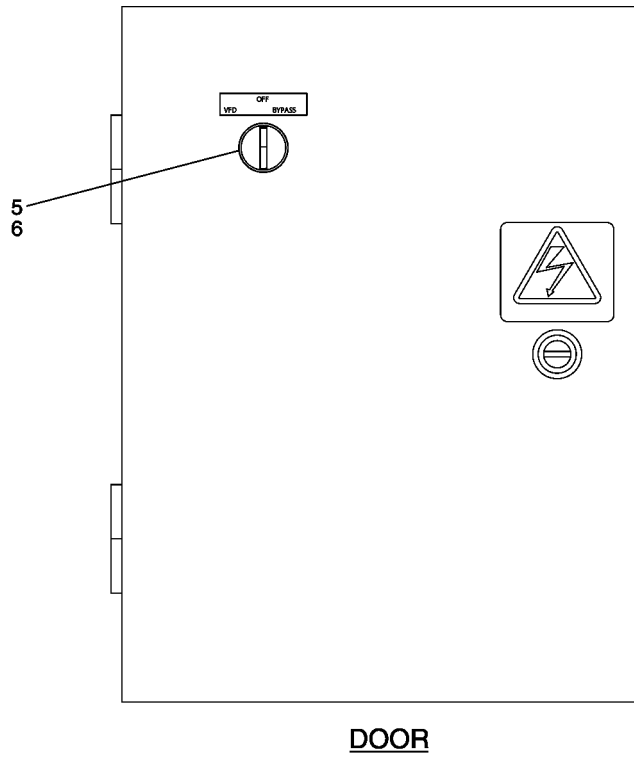


FIGURE 32 - VFD BYPASS BOX REPLACEMENT PARTS (6-25 MOTOR FLA)

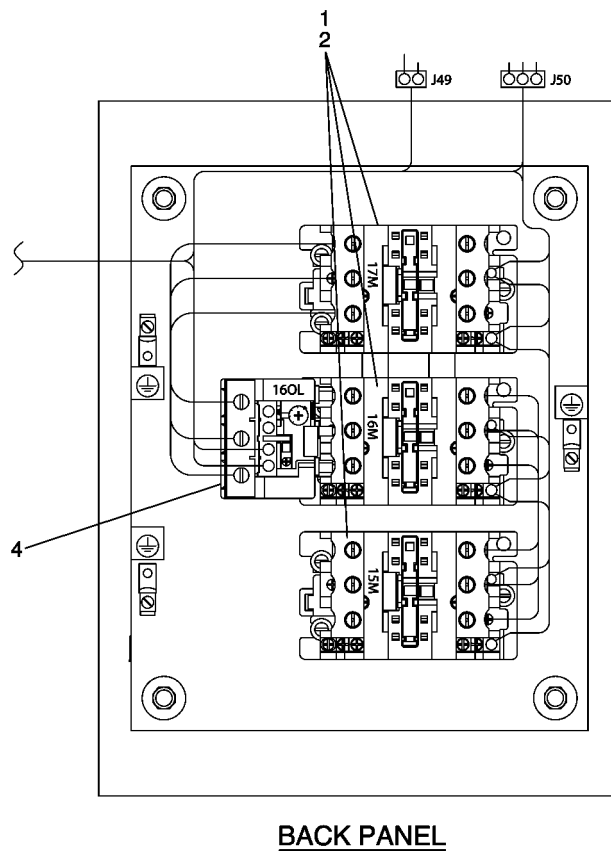
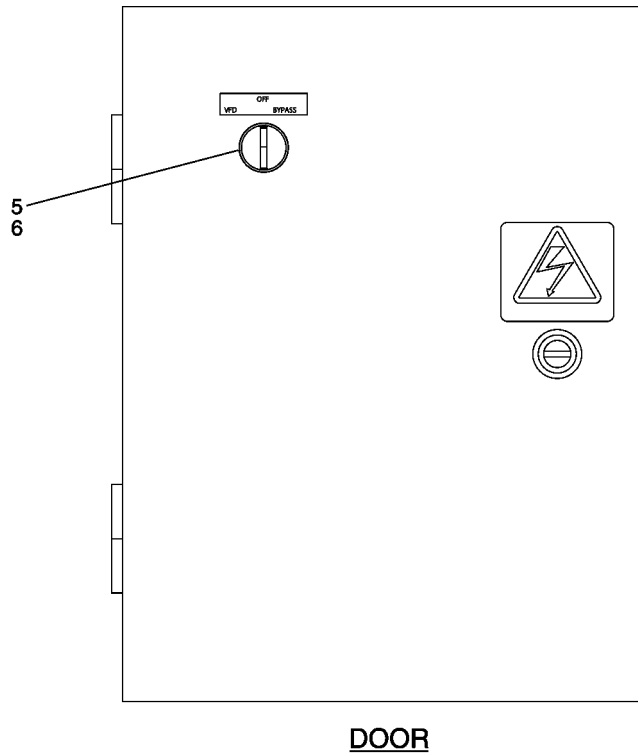


FIGURE 33 - VFD BYPASS BOX REPLACEMENT PARTS (23-50 MOTOR FLA)

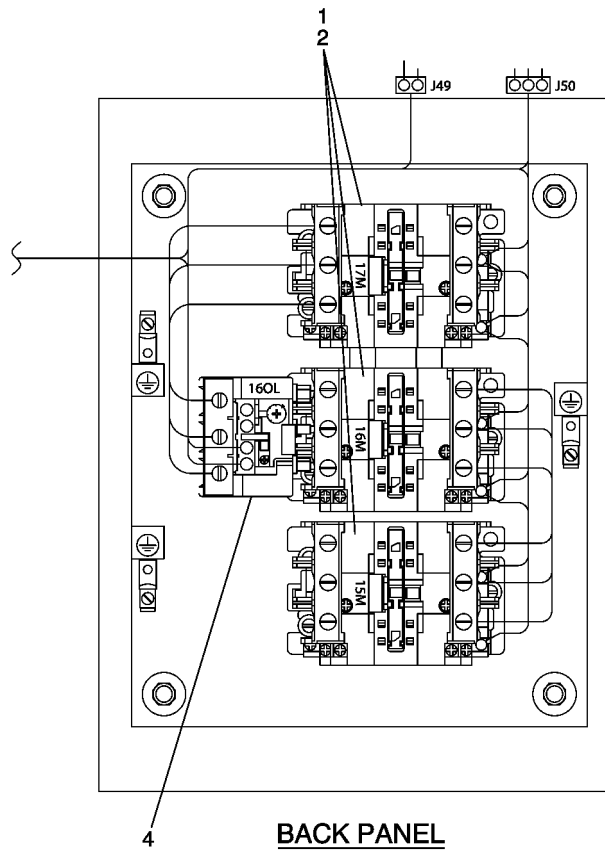
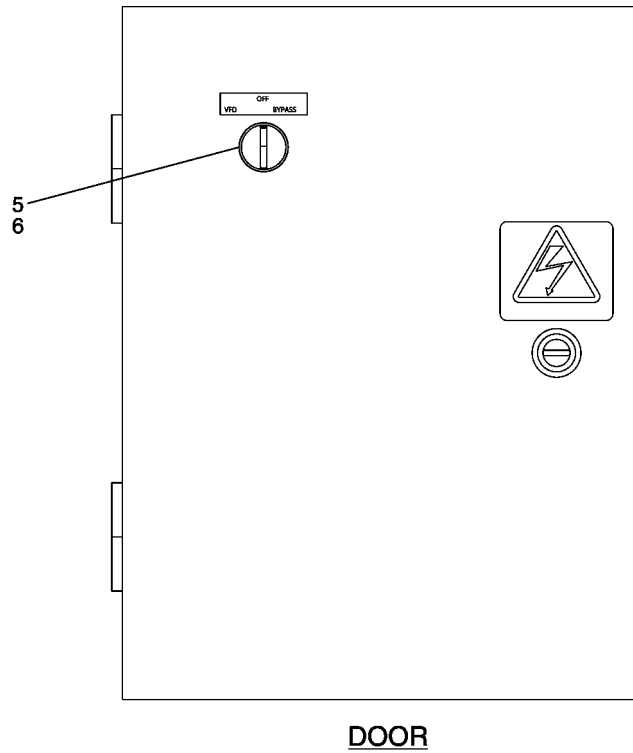
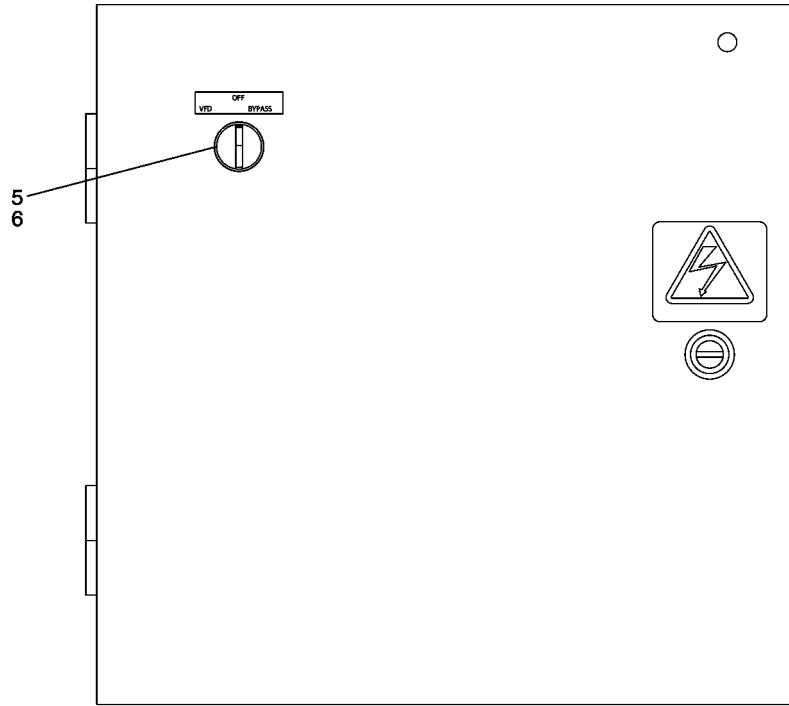
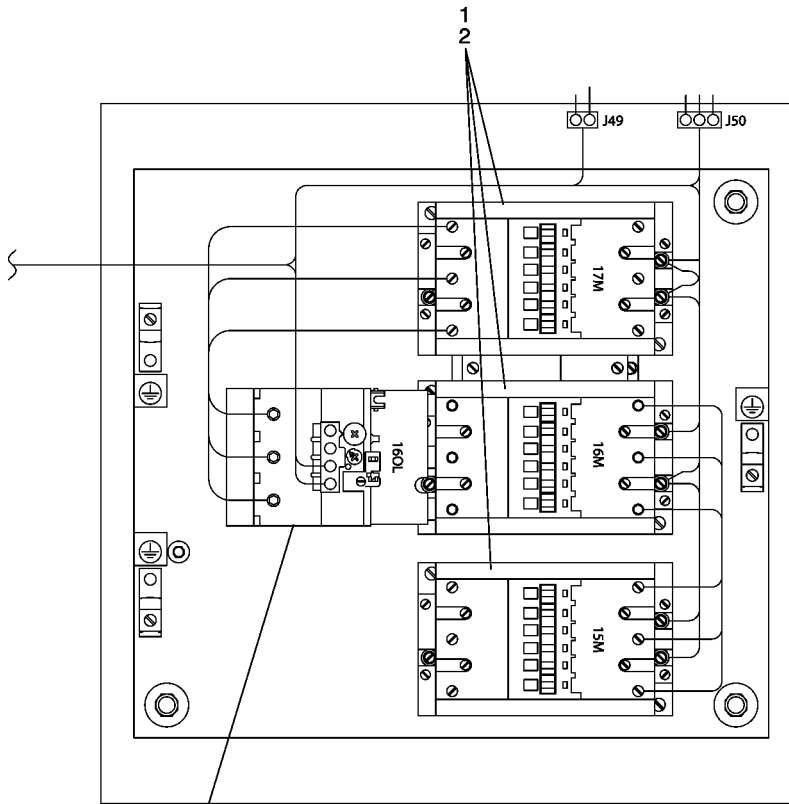


FIGURE 34 - VFD BYPASS BOX REPLACEMENT PARTS (48-65 MOTOR FLA)

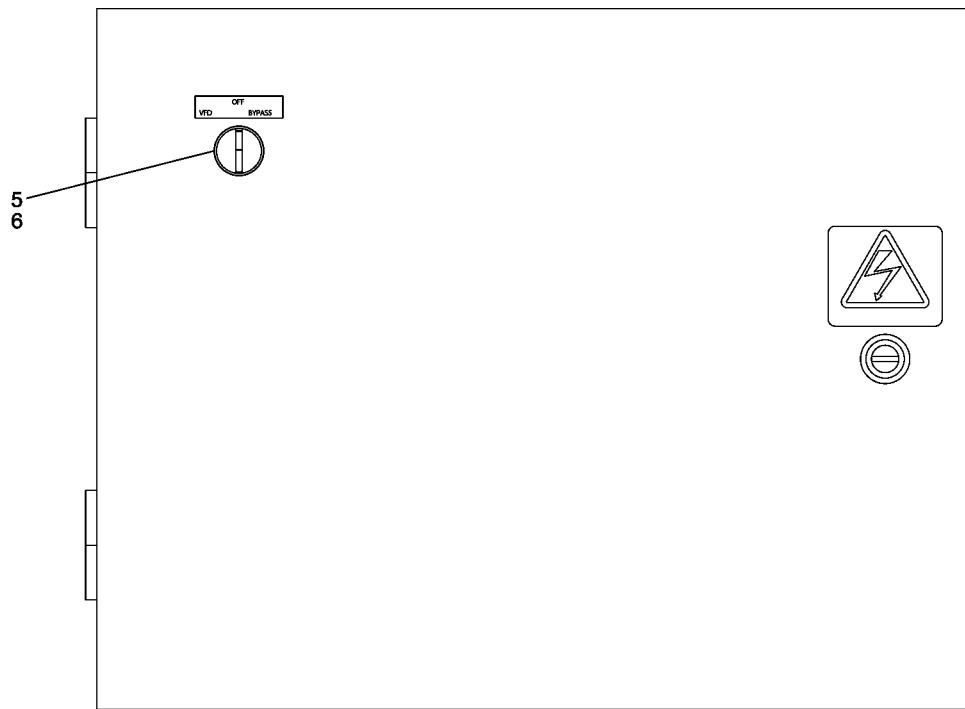


DOOR

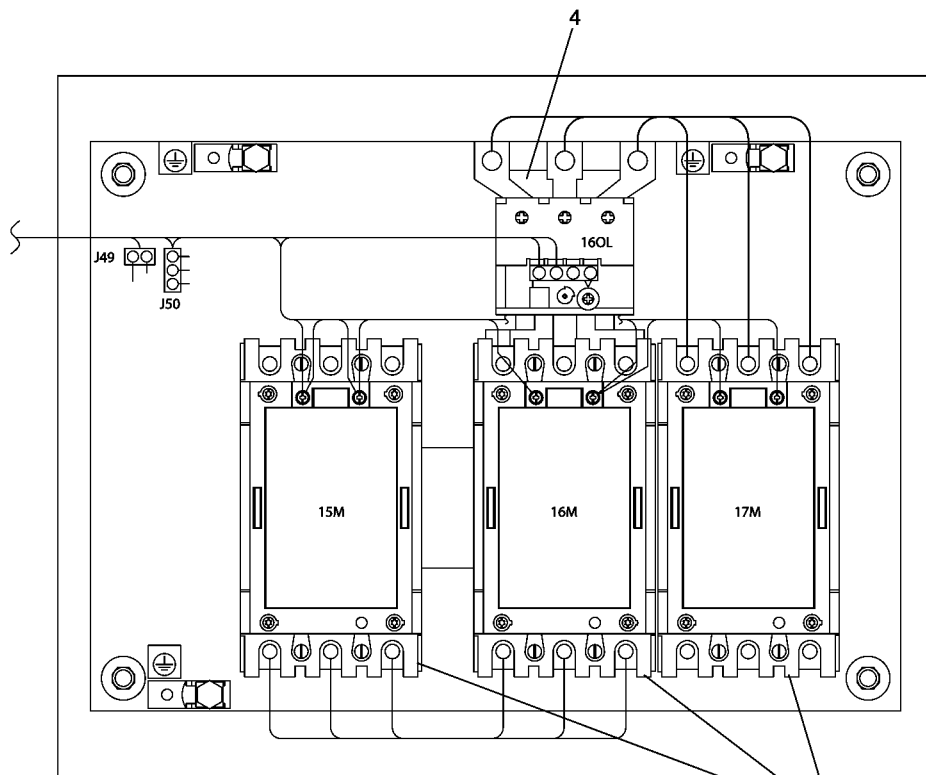


BACK PANEL

FIGURE 35 - VFD BYPASS BOX REPLACEMENT PARTS (60-110 MOTOR FLA)



DOOR



BACK PANEL

1
2

FIGURE 36 - VFD BYPASS BOX REPLACEMENT PARTS (110-200 MOTOR FLA)

TABLE 48 - FLEXSYS BYPASS DAMPERS AND ACTUATORS

FIGURE	ITEM	UNIT SIZE	DESCRIPTION	PART NUMBER
37	1	50-65	Control Damper, 36" x 24"	026-36432-001
37	1	70-85	Control Damper, 36" x 30"	026-36432-002
37	1	90-105	Control Damper, 36" x 36"	026-36432-003
*		50-105	Damper Coupling Kit ¹	026-36391-005
37	2		Actuator, JCI	025-35774-016
37	2		Actuator, Belimo	025-30958-009
37	3		Blade Pin Extension	026-36428-000

*Item not shown.

¹Damper coupling kit is required whenever replacement dampers are ordered.

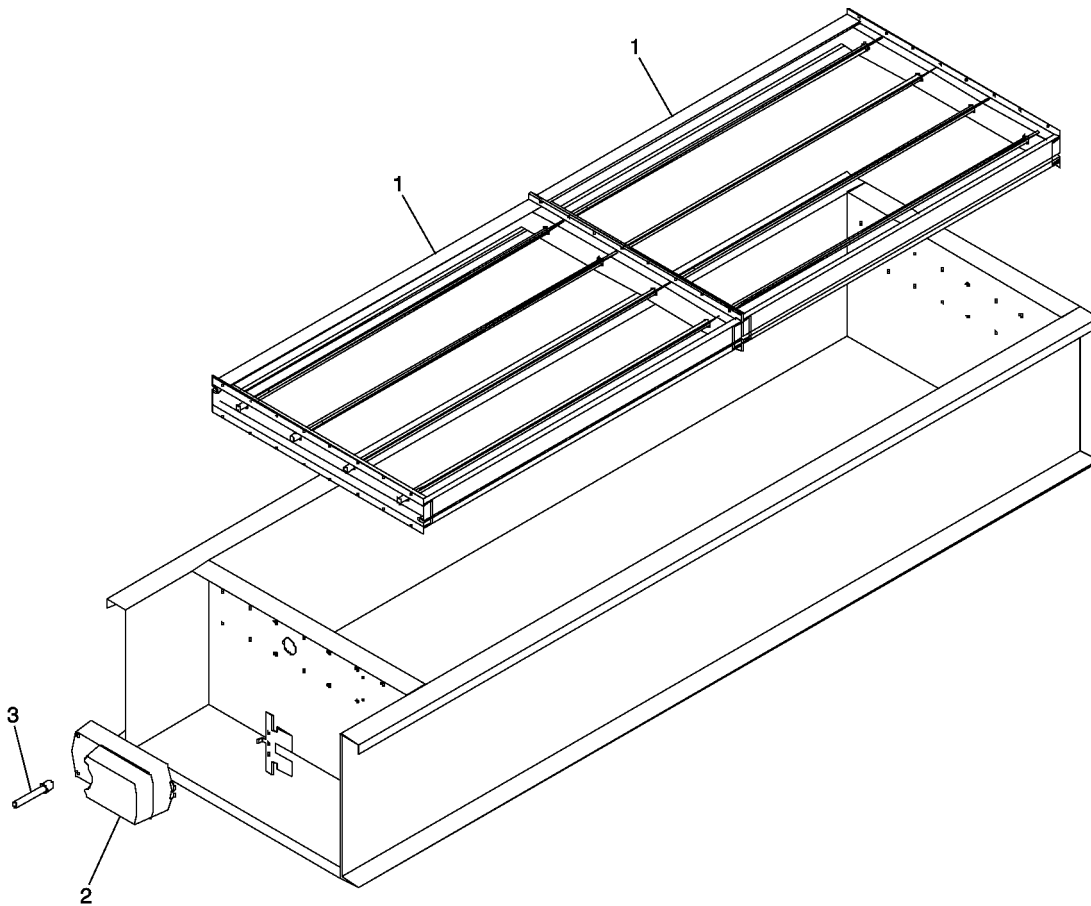
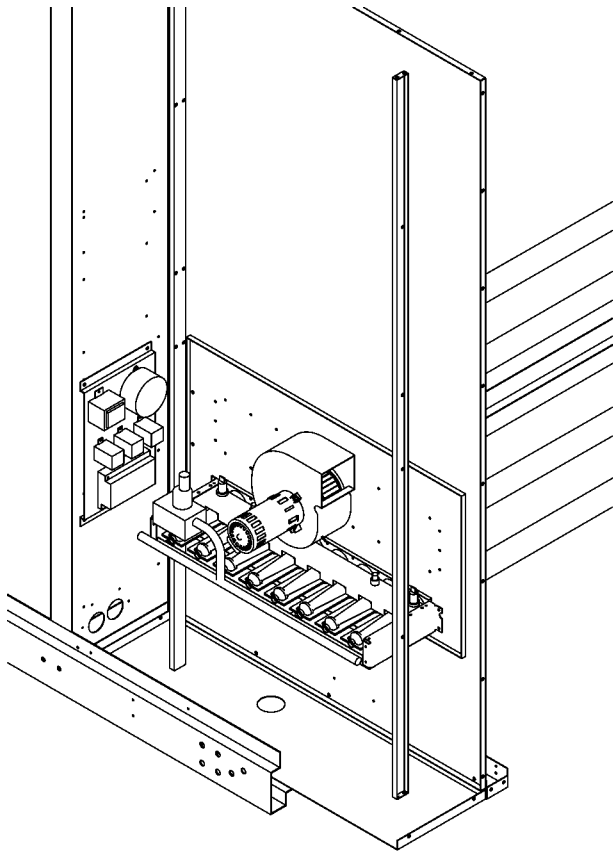
**FIGURE 37 - FLEXSYS BYPASS DAMPERS AND ACTUATORS**

TABLE 49 - STAGED GAS HEAT PARTS

FIGURE	ITEM	DESCRIPTION	PART NUMBER
40	1	Heat Exchanger Assembly, Aluminized Steel	026-36442-000
40	1	Heat Exchanger Assembly, Stainless Steel	026-36441-000
40	2	Burner, Natural Gas	026-36440-000
40	2	Burner, Propane	026-40812-000
40	3	Orifice, Natural Gas	023-20077-000
40	3	Orifice, Propane	023-21644-000
40	4	Manifold	029-22038-000
40	5	Propane Gas Valve Conversion Kit	025-35723-000
40	5	Gas Valve, Natural	026-36402-000
40	6	Combustion Blower Motor/Fan	026-36401-000
40	7	Flame Sensor	025-36314-000
40	8	Spark Ignitor	025-36313-000
40	9	Roll-Out Switch	025-36315-000
40	10	High Temperature Limit Switch, 150°F	025-37507-001
40	11	Air Proving Switch	025-36379-001
40	12	Transformer	025-18452-000
40	13	Relay, 24 VAC, DPDT	024-33137-000
40	14	Ignition Control	025-36386-000
40	15	Ignition Cable	025-37509-000
40	16	High Temperature Limit Switch, 140°F	025-36312-000



50-65 TONS SINGLE BURNER ASSEMBLY

50-65 TONS DOUBLE BURNER ASSEMBLY

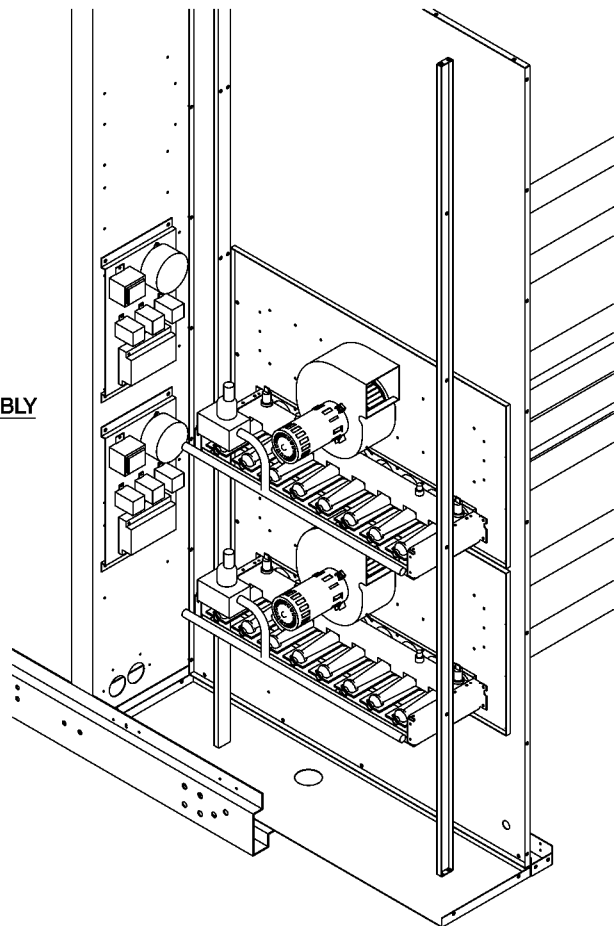


FIGURE 38 - STAGED GAS HEAT ARRANGEMENTS (50-65 TONS)

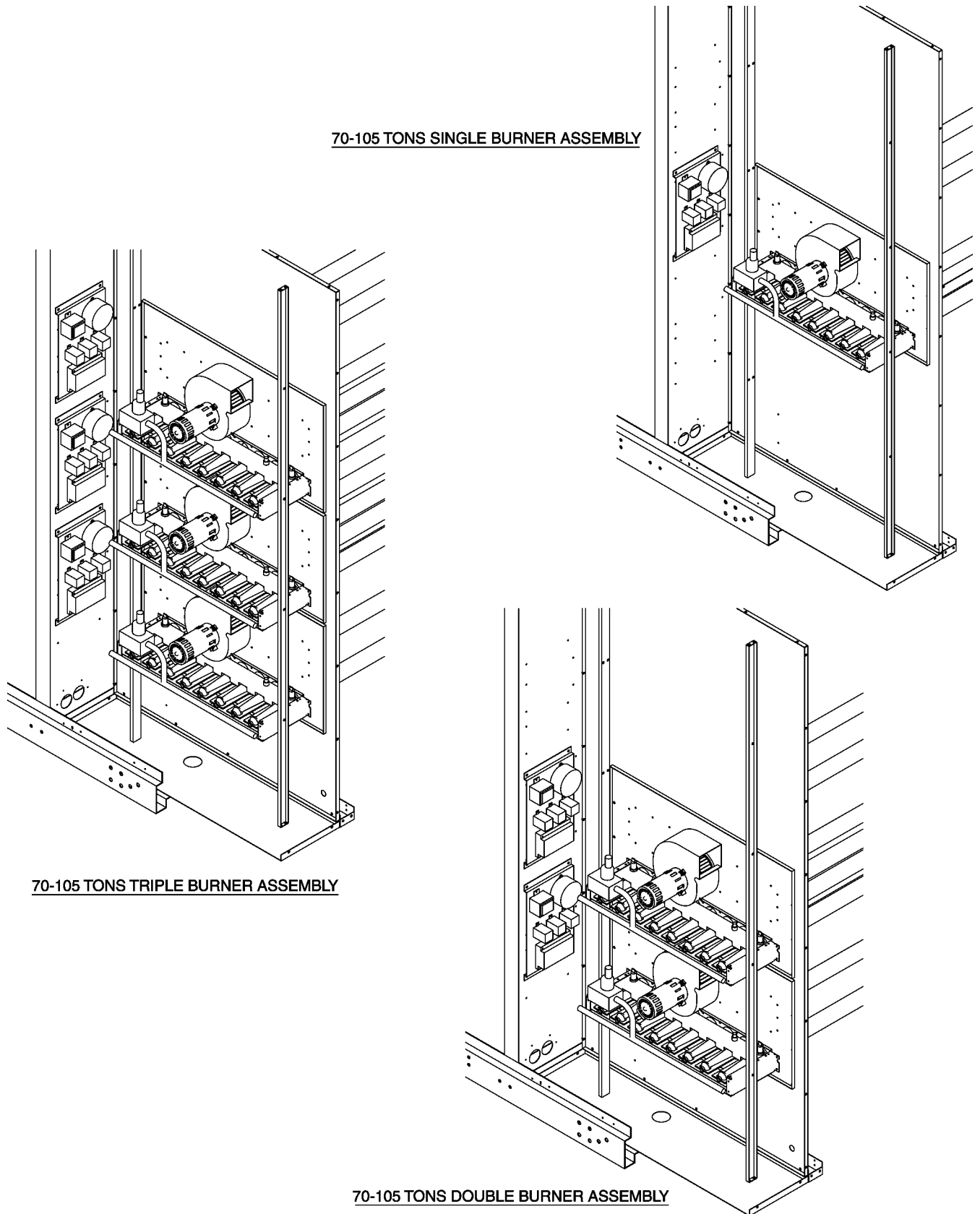


FIGURE 39 - STAGED GAS HEAT ARRANGEMENTS (70-105 TONS)

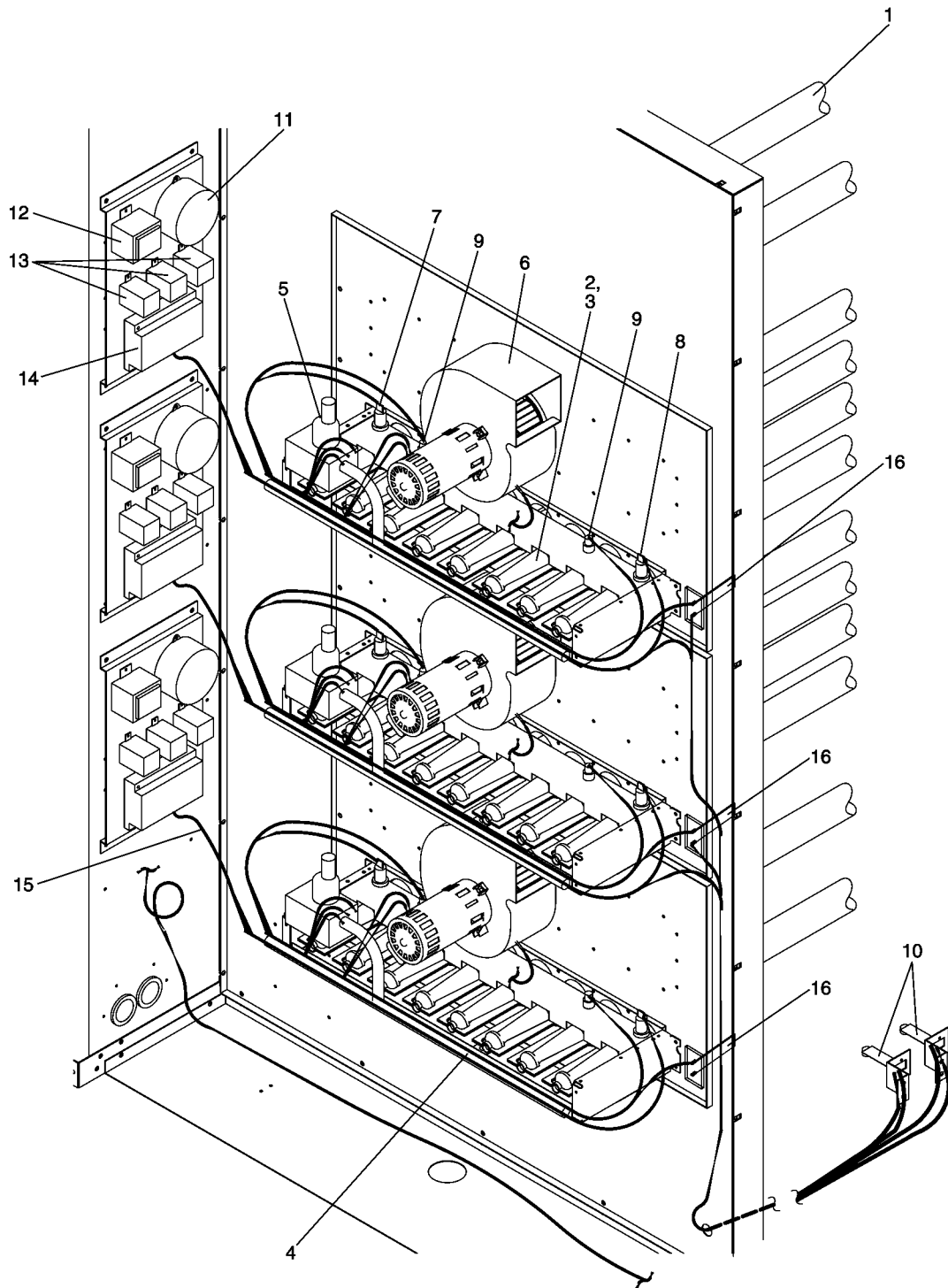
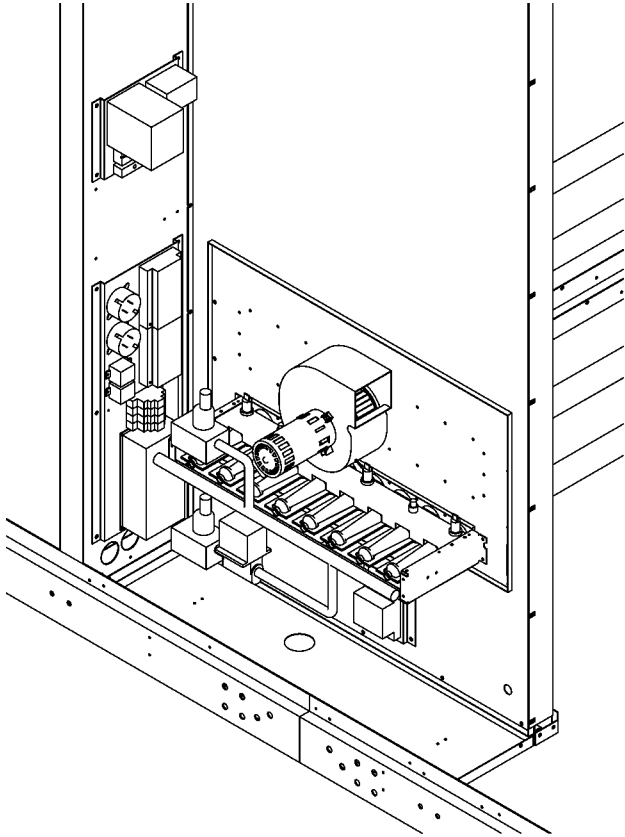


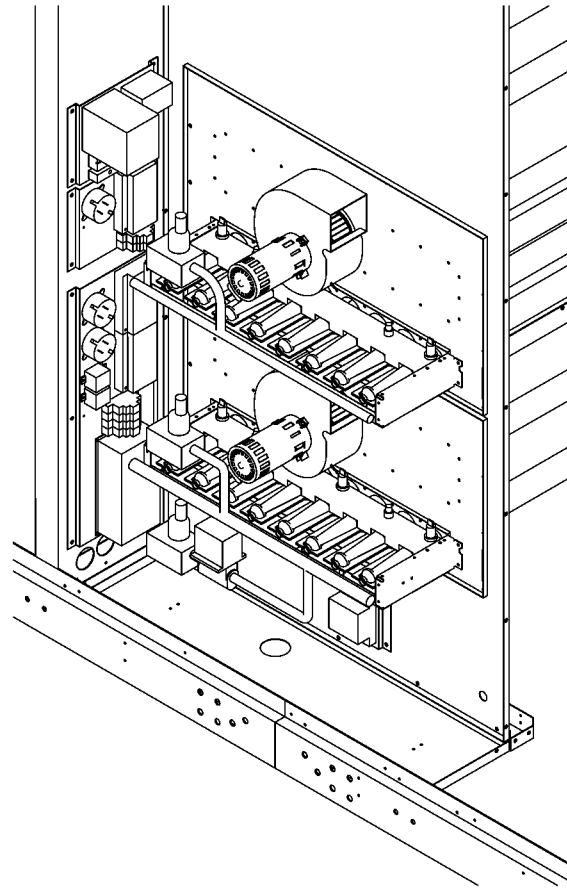
FIGURE 40 - STAGED GAS HEAT PARTS (70-105 TONS)

TABLE 50 - MODULATING GAS HEAT PARTS

FIGURE	ITEM	DESCRIPTION	PART NUMBER
43	1	Heat Exchanger Assembly, Aluminized Steel	026-36442-000
43	1	Heat Exchanger Assembly, Stainless Steel	026-36441-000
43	2	Burner, Natural Gas	026-36440-000
43	2	Burner, Propane	026-40812-000
43	3	Orifice, Natural Gas	023-20077-000
43	3	Orifice, Propane	023-21644-000
43	4	Manifold	029-22038-000
43	5	Propane Gas Valve Conversion Kit	025-35723-000
43	5	Gas Valve, Natural	025-36402-000
43	6	Modulating Gas Valve	026-40654-000
43	7	Modulating Gas Valve Signal Conditioner	025-36378-000
43	8	Combustion Blower Motor/Fan	026-36401-000
43	9	Flame Sensor	025-36314-000
43	10	Spark Ignitor	025-36313-000
43	11	Roll-Out Switch	025-36315-000
43	12	High Temperature Limit Switch, 150°F	025-37507-001
43	13	Transformer, 24V	024-34331-000
43	14	Transformer, 230V	025-39359-000
43	15	Fuse Holder, 1-Pole	025-37601-000
43	16	Fuse, 8 Amp	025-39358-000
43	17	Fuse Holder, 2-Pole	025-34427-000
43	18	Fuse, 2 Amp	025-38300-000
43	19	Relay, 24 VAC, DPDT	024-33137-000
43	20	Relay, DPDT	025-39357-000
43	21	Pressure Switch, Contacts Close at -1.35" on Pressure Fall	025-36379-001
43	22	Pressure Switch, Contacts Close at -1.50" on Pressure Fall	025-36379-002
43	23	Pressure Switch, Contacts Close at -0.25" on Pressure Fall	025-36379-003
43	24	Ignition Control	025-36386-000
43	25	Furnace Controller	371-04173-000
43	26	Ignition Cable	025-37509-000
43	27	High Temperature Limit Switch, 140°F	025-36312-000



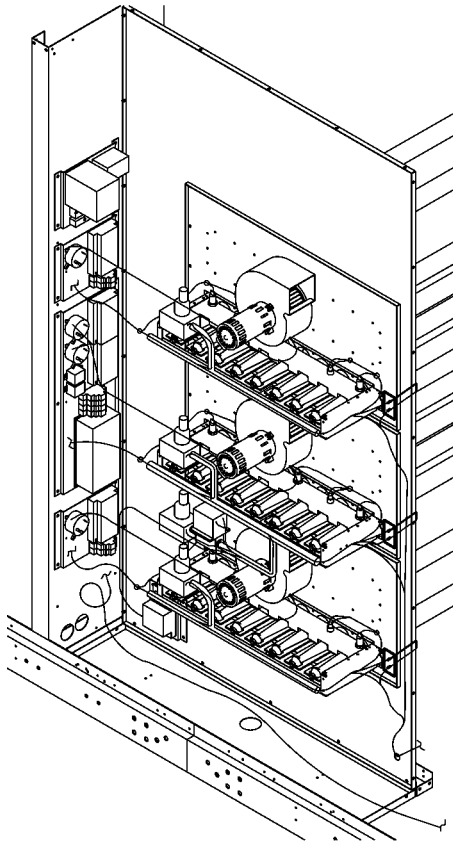
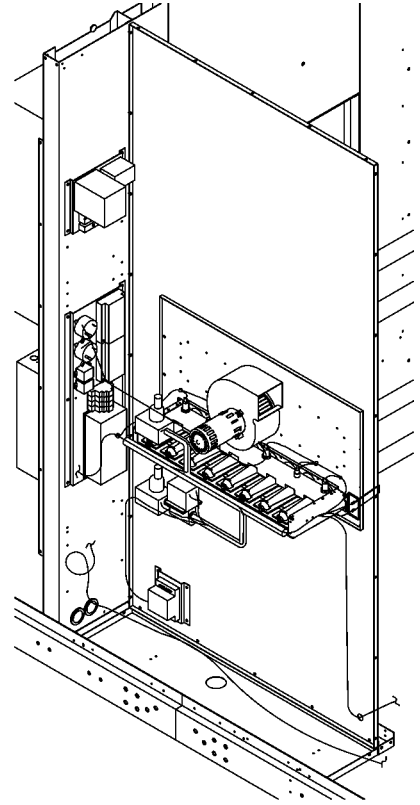
50-65 TONS SINGLE BURNER ASSEMBLY



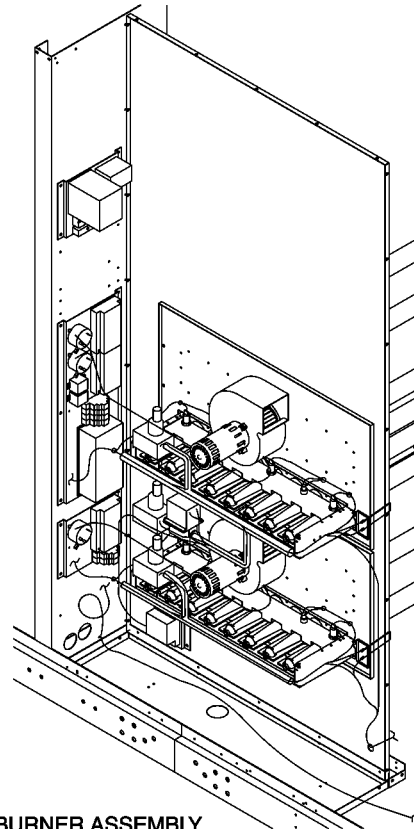
50-65 TONS DOUBLE BURNER ASSEMBLY

FIGURE 41 - MODULATING GAS HEAT ARRANGEMENTS (50-65 TONS)

70-105 TONS SINGLE BURNER ASSEMBLY



70-105 TONS TRIPLE BURNER ASSEMBLY



70-105 TONS DOUBLE BURNER ASSEMBLY

FIGURE 42 - MODULATING GAS HEAT ARRANGEMENTS (70-105 TONS)

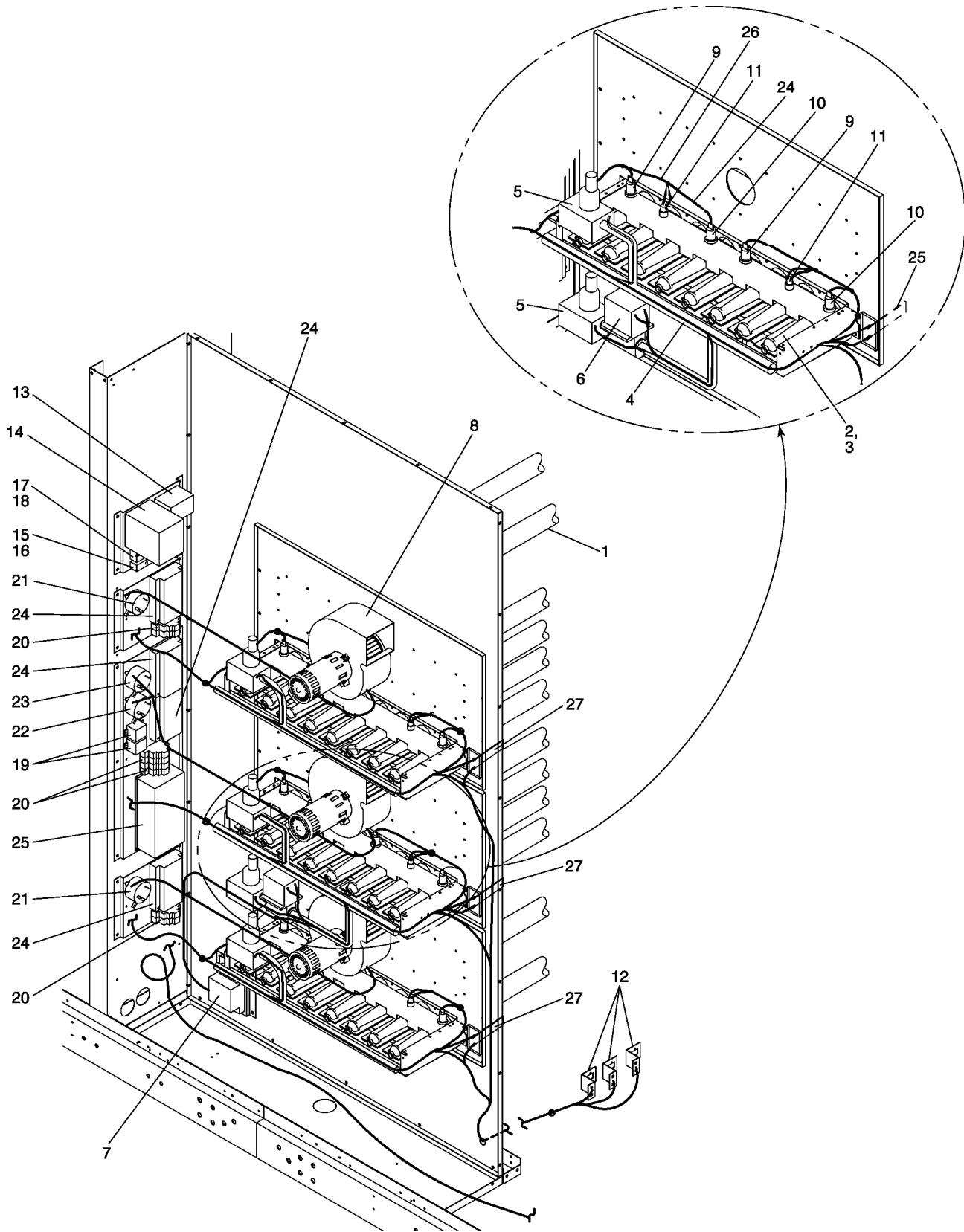


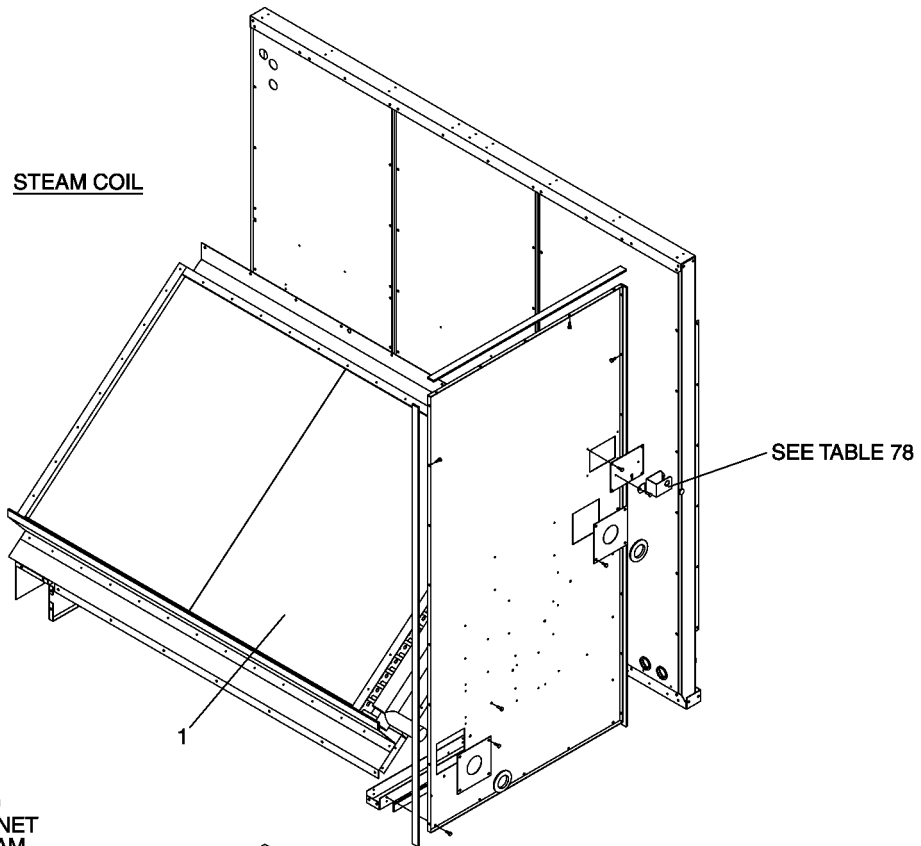
FIGURE 43 - MODULATING GAS HEAT PARTS (70-105 TONS)

TABLE 51 - HOT WATER HEAT COILS (STANDARD CABINET)

FIGURE	ITEM	UNIT SIZE	TUBES HIGH	ROWS DEEP	FINS PER INCH	PART NUMBER
44	2	50-65	34	2	8	026-36434-100
44	2				10	026-36434-101
44	2				12	026-36434-102
44	2				14	026-36434-103
44	2				11	026-36434-104
44	2	70-85	36	2	8	026-36434-200
44	2				10	026-36434-201
44	2				12	026-36434-202
44	2				14	026-36434-203
44	2	90-95	42	2	8	026-36434-300
44	2				10	026-36434-301
44	2				12	026-36434-302
44	2				14	026-36434-303

TABLE 52 - STEAM HEAT COILS (STANDARD CABINET)

FIGURE	ITEM	UNIT SIZE	TUBES HIGH	ROWS DEEP	FINS PER INCH	PART NUMBER
44	1	50-65	14	1	6	026-36433-100
44	1				8	026-36433-101
44	1				10	026-36433-102
44	1	70-85	15	1	6	026-36433-200
44	1				8	026-36433-201
44	1				10	026-36433-202
44	1	90-95	17	1	6	026-36433-300
44	1				8	026-36433-301
44	1				10	026-36433-302



NOTE: SEE FIGURE 59 FOR EXTENDED CABINET HOT WATER AND STEAM HEAT COILS.

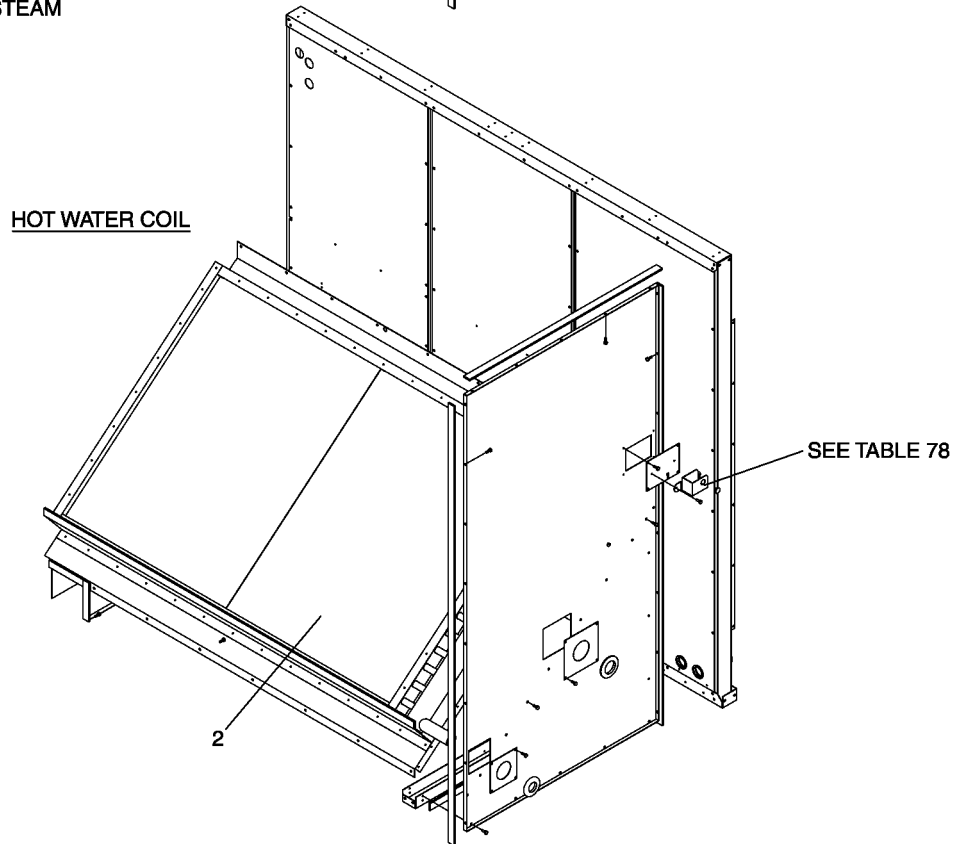


FIGURE 44 - HOT WATER AND STEAM HEAT COILS (STANDARD CABINET)

TABLE 53 - HOT WATER HEAT PIPING PARTS (STANDARD CABINET)

FIGURE	ITEM	VALVE SIZE	DESCRIPTION	PART NUMBER
45	1	0.75	2-Way Valve	025-35809-214
45	1	1.00	2-Way Valve	025-35809-215
45	1	1.25	2-Way Valve	025-35809-216
46	1	1.50	2-Way Valve	025-35809-217
46	1	2.00	2-Way Valve	025-35809-218
47	1	0.75	3-Way Valve	025-35809-354
47	1	1.00	3-Way Valve	025-35809-355
47	1	1.25	3-Way Valve	025-35809-356
48	1	1.50	3-Way Valve	025-35809-357
48	1	2.00	3-Way Valve	025-35809-358
45, 47	2	0.75	Adapters for 2- and 3-Way Valve	023-20068-000
45, 47	2	1.00	Adapters for 2- and 3-Way Valve	023-20067-000
45, 47	2	1.25	Adapters for 2- and 3-Way Valve	023-00131-000
46, 48	2	1.50	Adapters for 2- and 3-Way Valve	023-20066-000
46, 48	2	2.00	Adapters for 2- and 3-Way Valve	023-00145-000
45, 47	3	0.75, 1.00, 1.25	Strainer	022-10505-000
46, 48	3	1.50, 2.00	Strainer	022-10504-000
45, 47	4	0.75, 1.00, 1.25	Pipe Plug for Strainer	023-04053-000
46, 48	4	1.50, 2.00	Pipe Plug for Strainer	023-04019-000
45, 47	5	0.75, 1.00, 1.25	Ball Valve	022-10507-000
46, 48	5	1.50, 2.00	Ball Valve	022-10506-000
45, 47	6	0.75, 1.00, 1.25	Adapters for Ball Valves and Strainer	023-00131-000
46, 48	6	1.50, 2.00	Adapters for Ball Valves and Strainer	023-00145-000

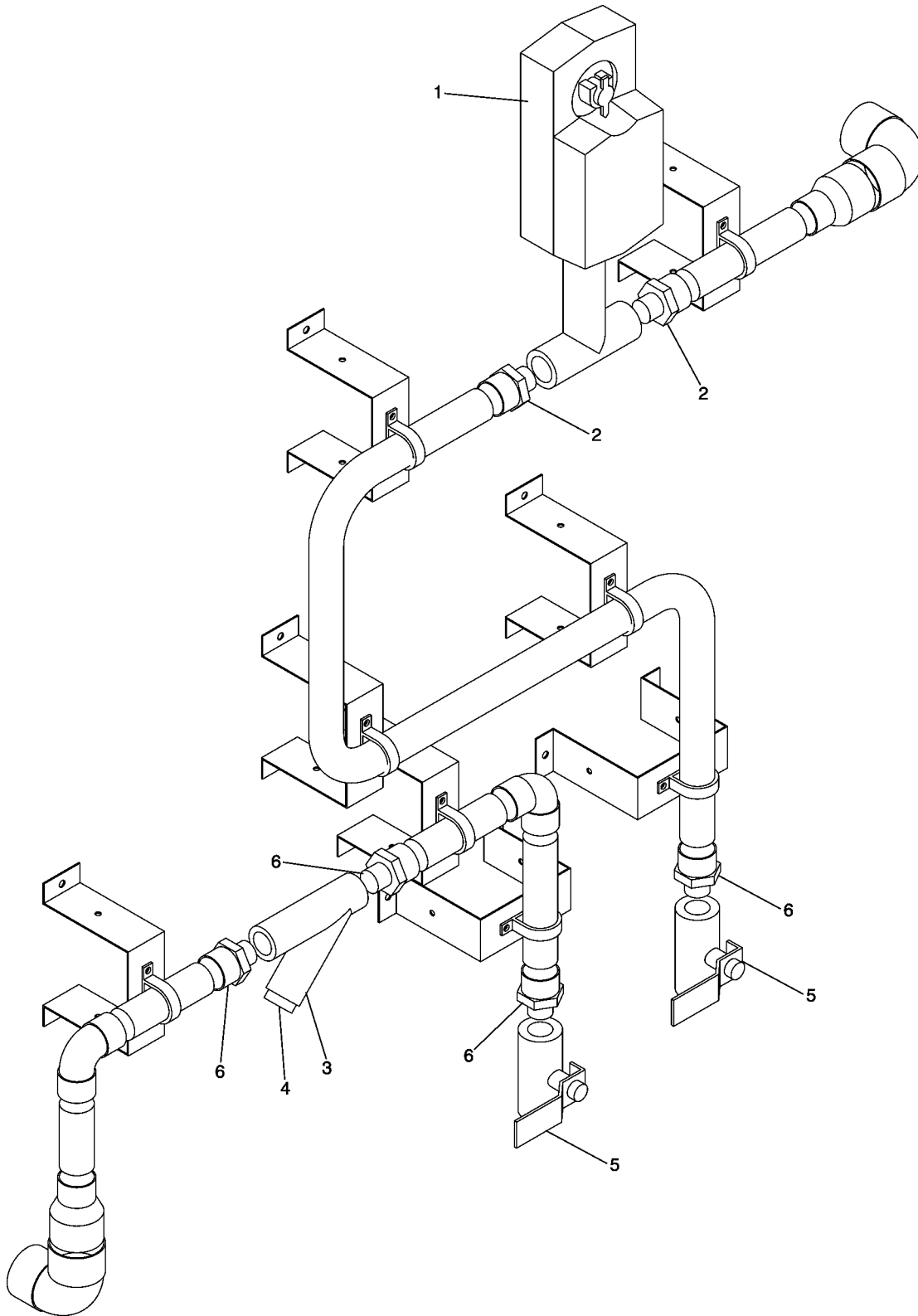


FIGURE 45 - HOT WATER HEAT 2-WAY PIPING FOR 0.75, 1.00, AND 1.25 VALVES (STANDARD CABINET)

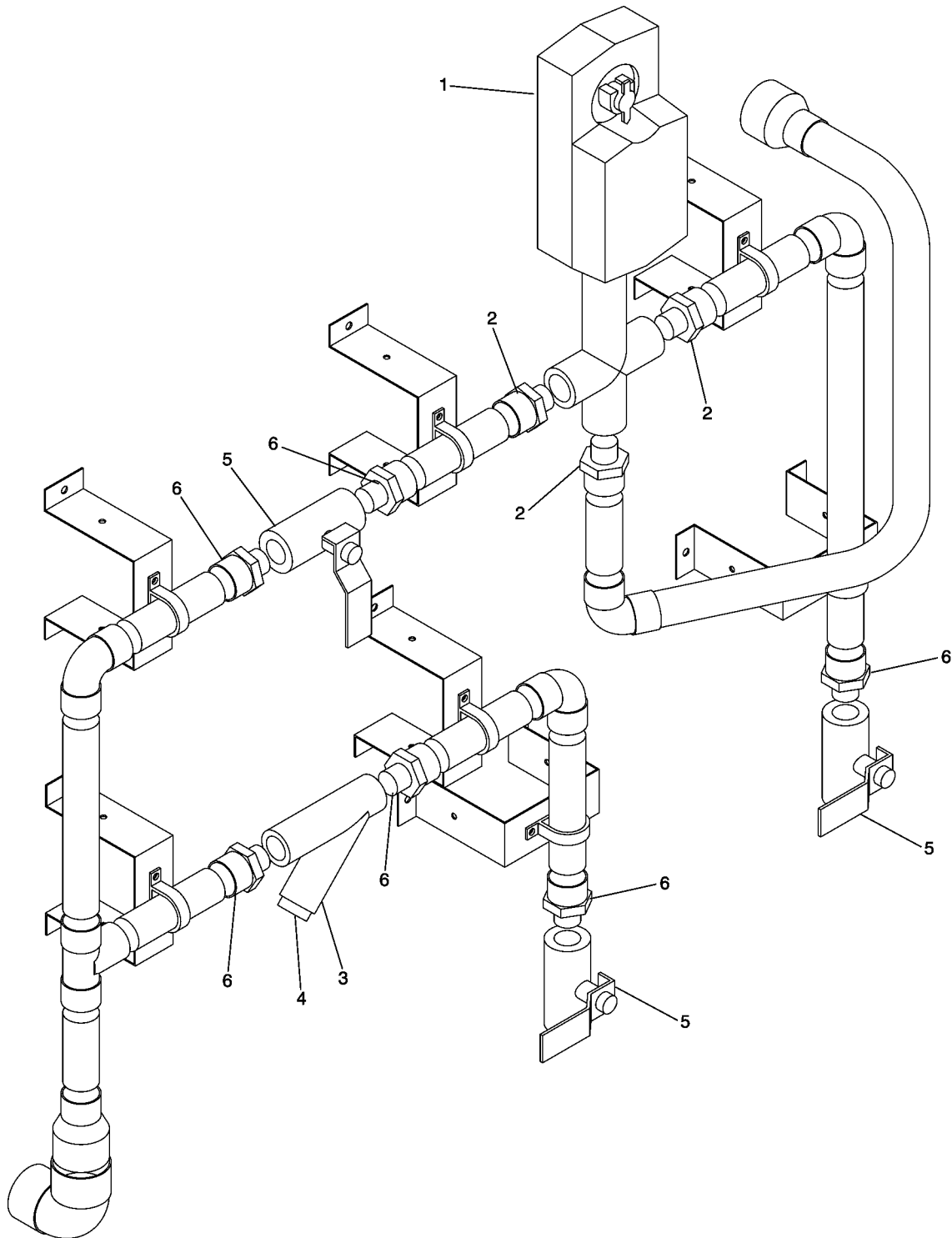
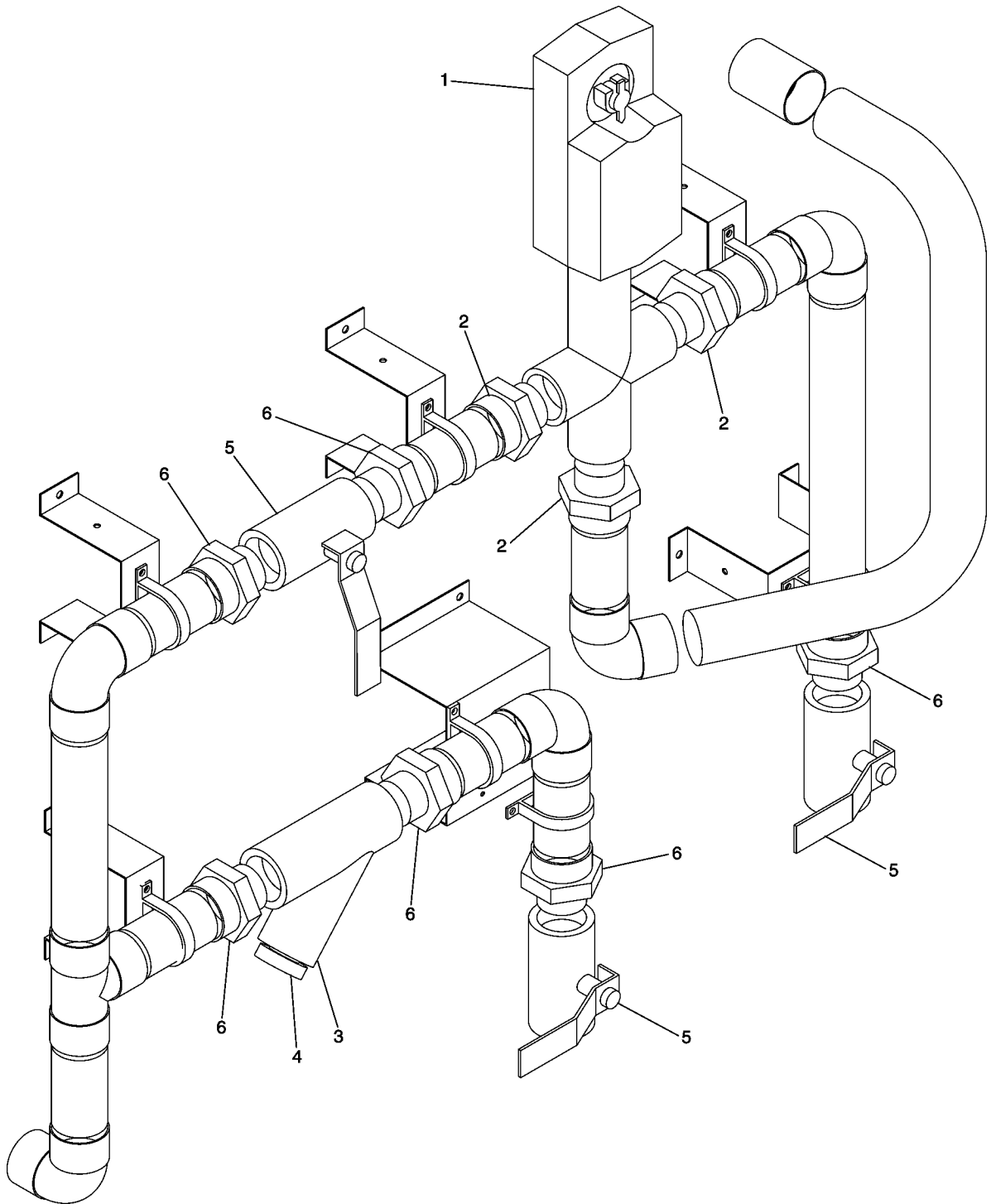


FIGURE 47 - HOT WATER HEAT 3-WAY PIPING FOR 0.75, 1.00, AND 1.25 VALVES (STANDARD CABINET)



**FIGURE 48 - HOT WATER HEAT 3-WAY PIPING FOR 1.50 AND 2.00 VALVES
(STANDARD CABINET)**

TABLE 54 - ELECTRIC HEATER COILS

FIGURE	ITEM	UNIT SIZE	VOLTAGE	KILOWATTS	PART NUMBER
49	1	50-65	200	40	025-35720-101
49	1			80	025-35720-102
49	1			108	025-35720-103
49	1		230	40	025-35720-104
49	1			80	025-35720-105
49	1			108	025-35720-106
49	1		460	40	025-35720-117
49	1			80	025-35720-118
49	1			108	025-35720-119
49	1			150	025-35720-120
49	1		575	40	025-35720-123
49	1			80	025-35720-124
49	1			108	025-35720-125
49	1			150	025-35720-126
49	1		400	40	025-35720-112
49	1			80	025-35720-113
49	1			108	025-35720-114
49	1			150	025-35720-115
49	1		380	40	025-35720-107
49	1			80	025-35720-108
49	1	108		025-35720-109	
49	1	150		025-35720-110	
49	1	70-85	200	80	025-36252-102
49	1			108	025-36252-103
49	1		230	80	025-36252-105
49	1			108	025-36252-106
49	1		460	80	025-36252-118
49	1			108	025-36252-119
49	1			150	025-36252-120
49	1			200	025-36252-121
49	1		575	80	025-36252-124
49	1			108	025-36252-125
49	1			150	025-36252-126
49	1			200	025-36252-127
49	1		400	80	025-36252-113
49	1			108	025-36252-114
49	1			150	025-36252-115
49	1			200	025-36252-116
49	1		380	80	025-36252-108
49	1			108	025-36252-109
49	1			150	025-36252-110
49	1			200	025-36252-111
49	1	90-105	200	108	025-36253-103
49	1		230	108	025-36253-106
49	1		460	108	025-36253-119
49	1			150	025-36253-120
49	1			200	025-36253-121
49	1			250	025-36253-122

TABLE 54 - ELECTRIC HEATER COILS (CONTINUED)

FIGURE	ITEM	UNIT SIZE	VOLTAGE	KILOWATTS	PART NUMBER
49	1	90-105	575	108	025-36253-125
49	1			150	025-36253-126
49	1			200	025-36253-127
49	1			250	025-36253-128
49	1		400	108	025-36253-114
49	1			150	025-36253-115
49	1			200	025-36253-116
49	1		380	108	025-36253-109
49	1			150	025-36253-110
49	1			200	025-36253-111

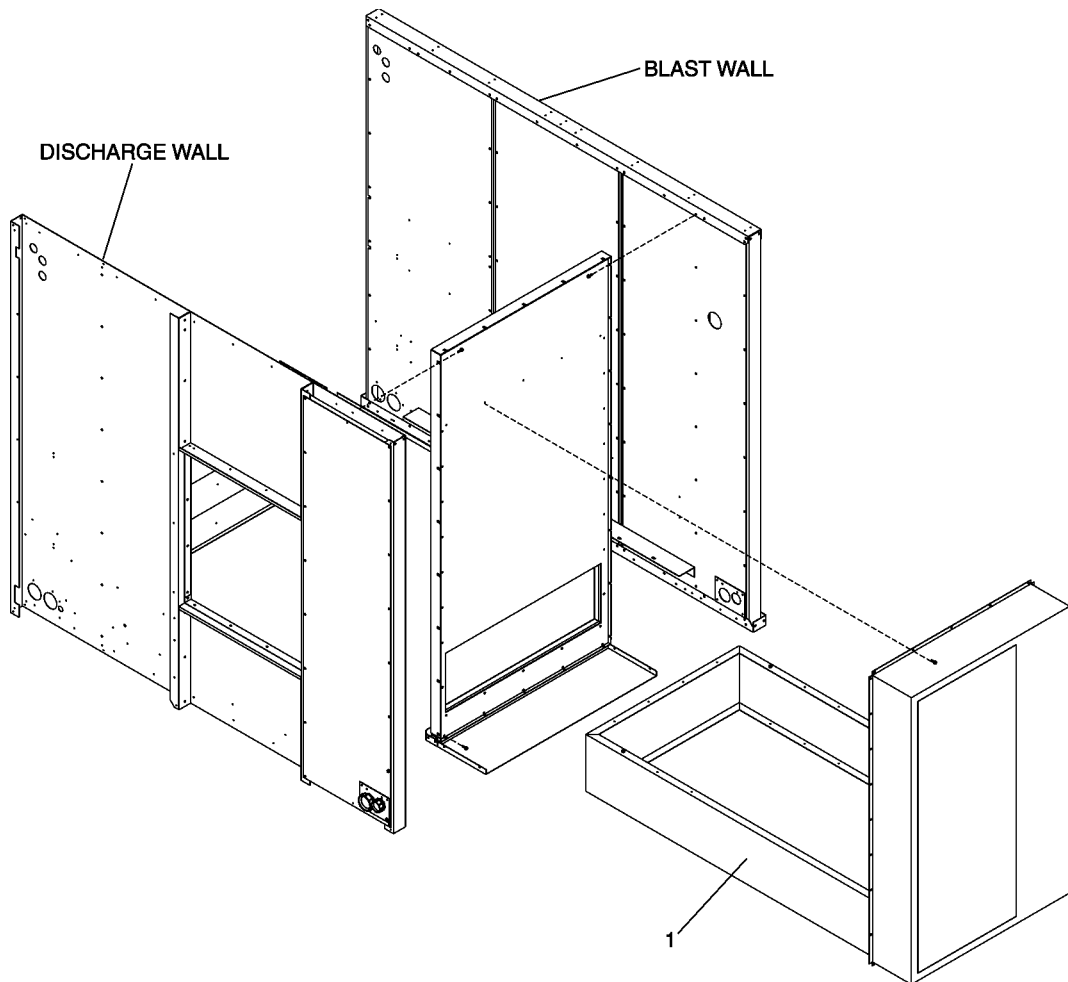


FIGURE 49 - ELECTRIC HEATER COILS

TABLE 55 - DOOR AND SIDE PANEL ASSEMBLIES (EXTENDED CABINET)

FIGURE	ITEM	UNIT SIZE	DESCRIPTION	PART NUMBER
50	1	50-65	Door Assembly, 12.875" x 82"	385-00429-110
50	2		Door Assembly, 29.313" x 82"	385-00429-111
50	3		Side Panel Assembly, 12.875" x 82"	385-00431-121
50	4		Side Panel Assembly, 29.313" x 82"	385-00431-122
51	1	70-85	Door Assembly, 27" x 92"	385-00429-107
51	2		Door Assembly, 29.86" x 92"	385-00429-108
51	3		Side Panel Assembly, 27" x 92"	385-00431-110
51	4		Side Panel Assembly, 29.86" x 92"	385-00431-117
52	1	90-105	Door Assembly, 22" x 92"	385-00429-105
52	2		Door Assembly, 32.76" x 92"	385-00429-109
52	3		Side Panel Assembly, 21.375" x 92"	385-00431-107
52	4		Side Panel Assembly, 22" x 92"	385-00431-118
52	5		Side Panel Assembly, 32.76" x 92"	385-00431-119
52	6		Side Panel Assembly, 36.75" x 92"	385-00431-120

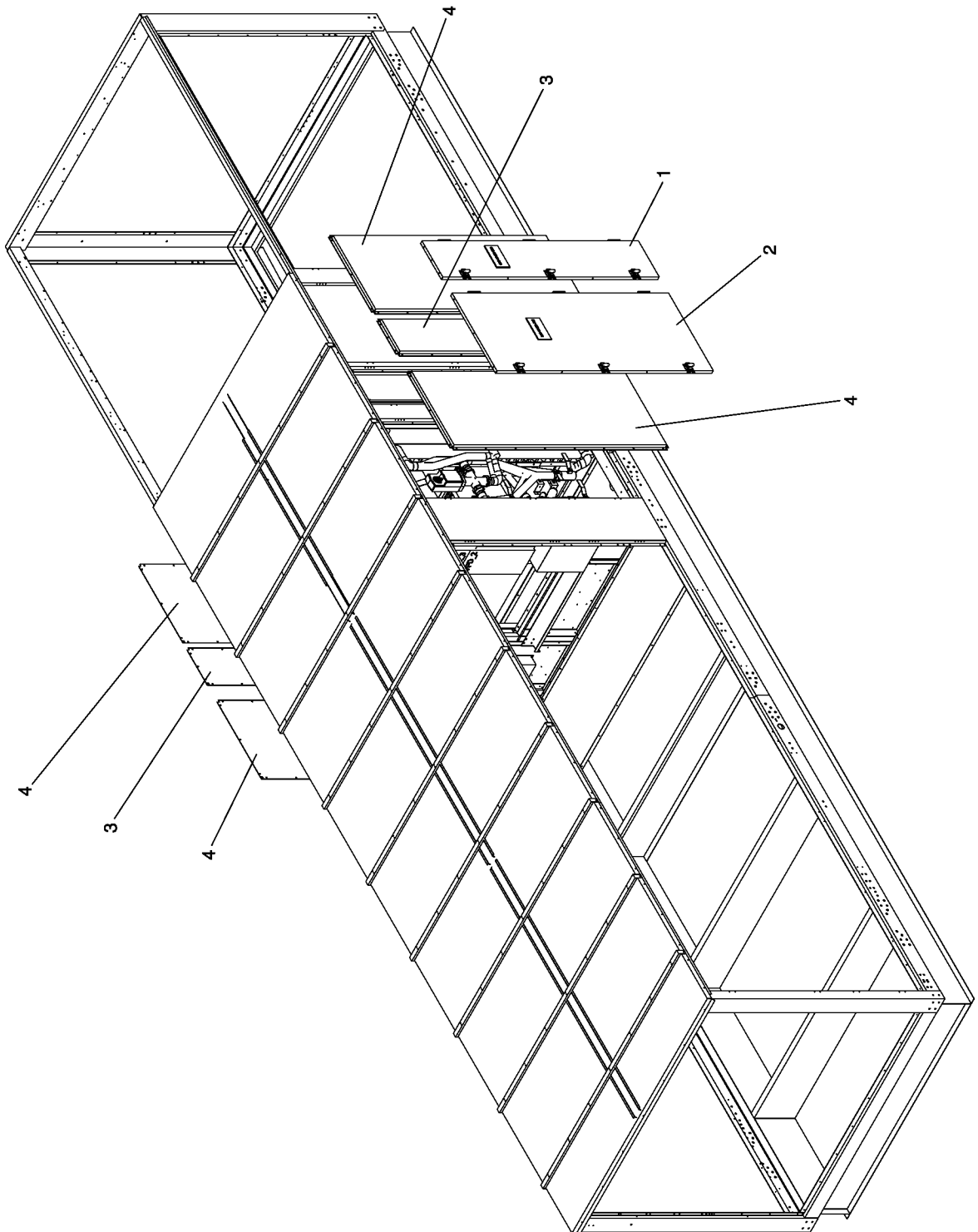


FIGURE 50 - DOOR AND SIDE PANEL ASSEMBLIES (50-65 TONS) (EXTENDED CABINET)

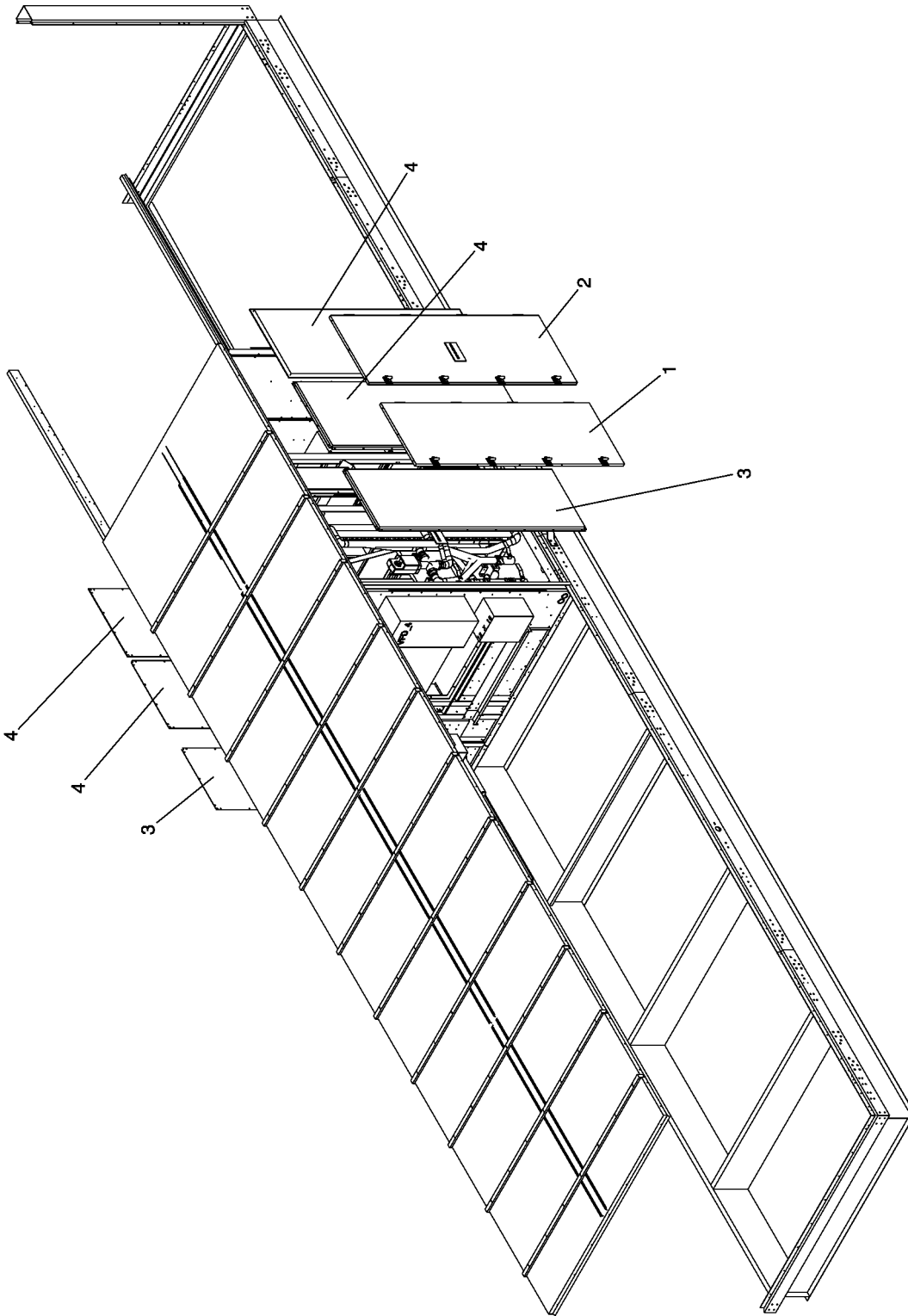


FIGURE 51 - DOOR AND SIDE PANEL ASSEMBLIES (70-85 TONS) (EXTENDED CABINET)

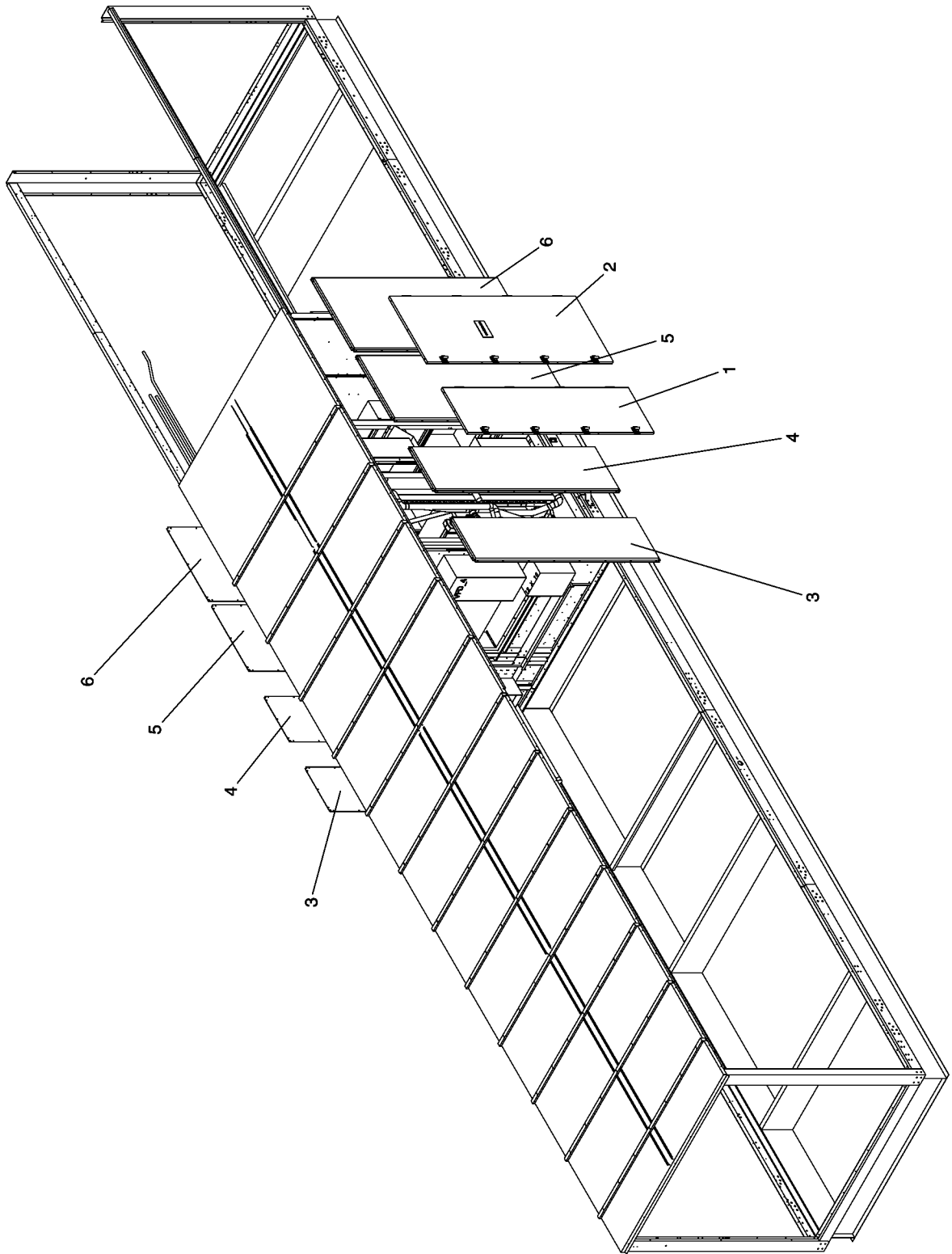


FIGURE 52 - DOOR AND SIDE PANEL ASSEMBLIES (90-105 TONS) (EXTENDED CABINET)

TABLE 56 - EXTERIOR UPRIGHT ASSEMBLIES (EXTENDED CABINET)

FIGURE	ITEM	UNIT SIZE	DESCRIPTION	PART NUMBER
53	1	50-65	Exterior Upright Assembly, 18.75" x 82"	385-00434-102
53	2		Exterior Upright Assembly, 7.75" x 82"	385-00434-313
53	3		Exterior Upright Assembly, Filter Section, 7.75" x 82"	385-00434-314
53	4		Exterior Upright Assembly, 3.75" x 82"	385-00434-315
54	1	70-85	Exterior Upright Assembly, 3.75" x 92"	385-00434-302
54	2		Exterior Upright Assembly, 16.64" x 92"	385-00434-306
54	3		Exterior Upright Assembly, 11" x 92"	385-00434-309
54	4		Exterior Upright Assembly, Filter Section, 11" x 92"	385-00434-310
55	1	90-105	Exterior Upright Assembly, 3.75" x 92"	385-00434-302
55	2		Exterior Upright Assembly, 11" x 92"	385-00434-309
55	3		Exterior Upright Assembly, 14.875" x 92"	385-00434-311
55	4		Exterior Upright Assembly, Filter Section, 14.875" x 92"	385-00434-312

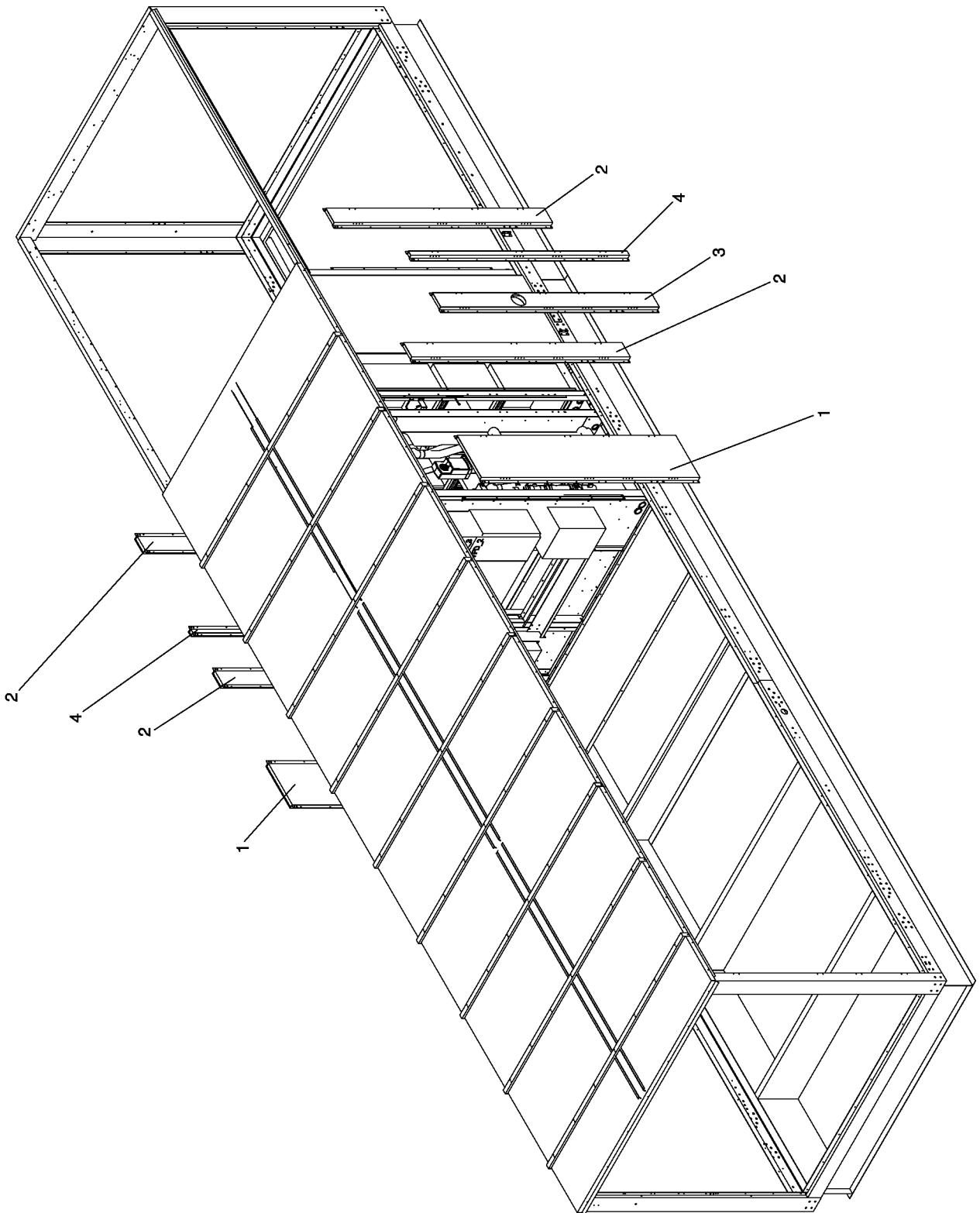


FIGURE 53 - EXTERIOR UPRIGHT ASSEMBLIES (50-65 TONS) (EXTENDED CABINET)

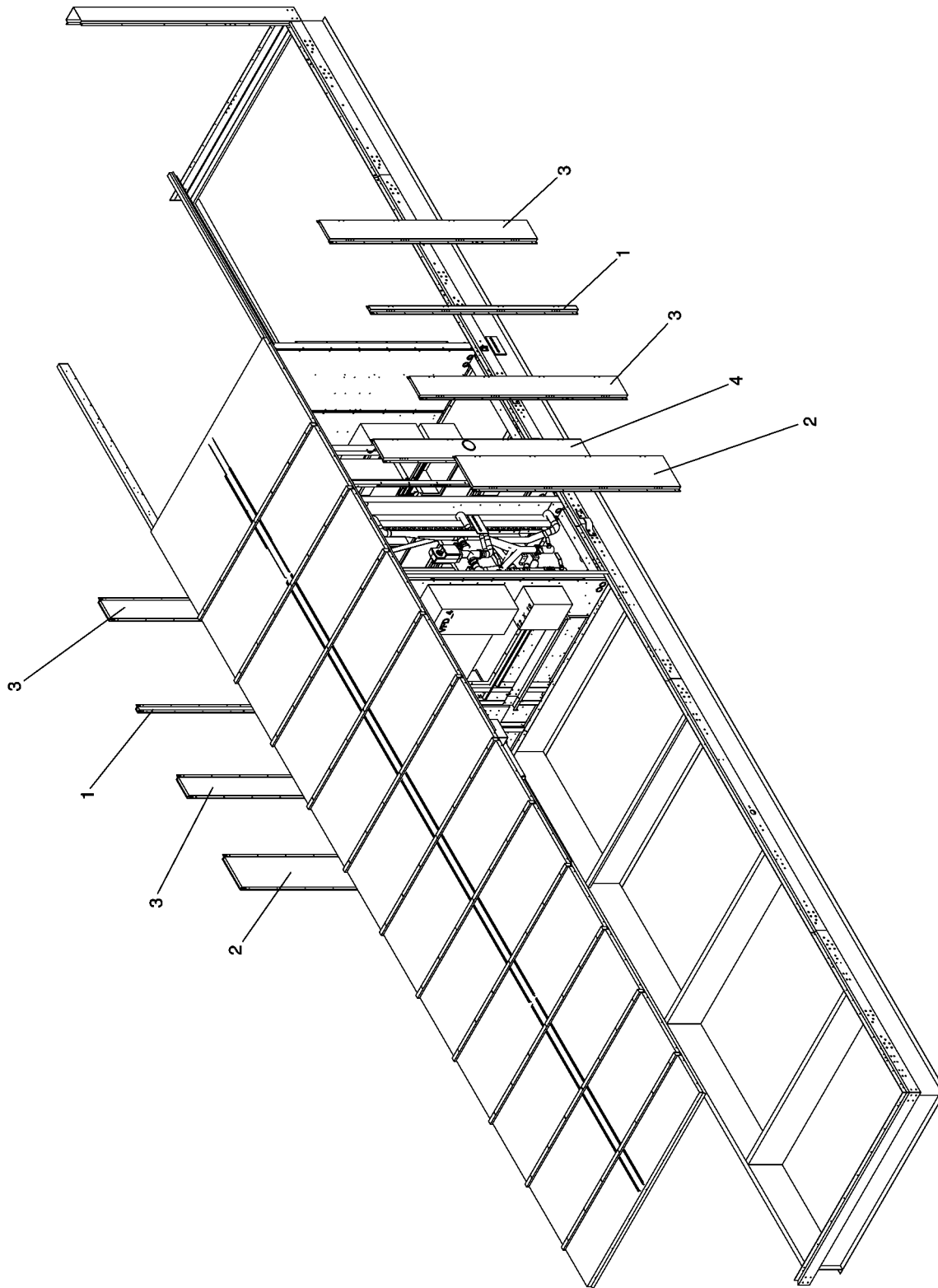


FIGURE 54 - EXTERIOR UPRIGHT ASSEMBLIES (70-85 TONS) (EXTENDED CABINET)

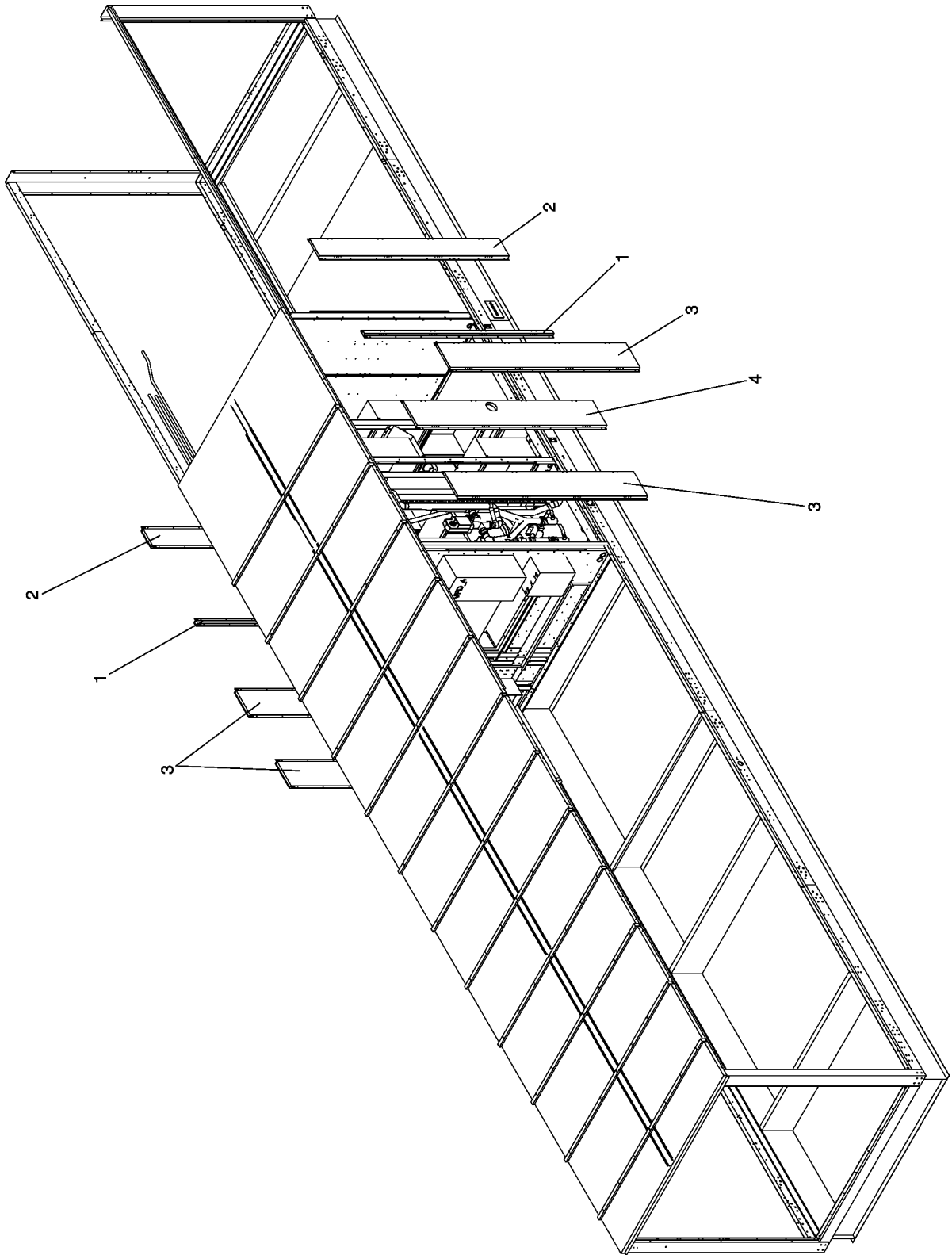


FIGURE 55 - EXTERIOR UPRIGHT ASSEMBLIES (90-105 TONS) (EXTENDED CABINET)

TABLE 57 - FILTERS, RIGID (EXTENDED CABINET)

FIGURE	ITEM	UNIT SIZE	TYPE	SIZE	PART NUMBER	QUANTITY
56	1	50-65	12" 90-95% Efficient	16" x 20"	026-36342-009	1
56	2			16" x 25"	026-36342-010	3
56	3			20" x 25"	026-36380-000	9
57	1	70-85	12" 90-95% Efficient	16" x 20"	026-36342-009	2
57	2			16" x 25"	026-36342-010	7
57	3			20" x 25"	026-36380-000	9
58	1	90-105	12" 90-95% Efficient	16" x 25"	026-36342-010	7
58	2			20" x 25"	026-36380-000	12

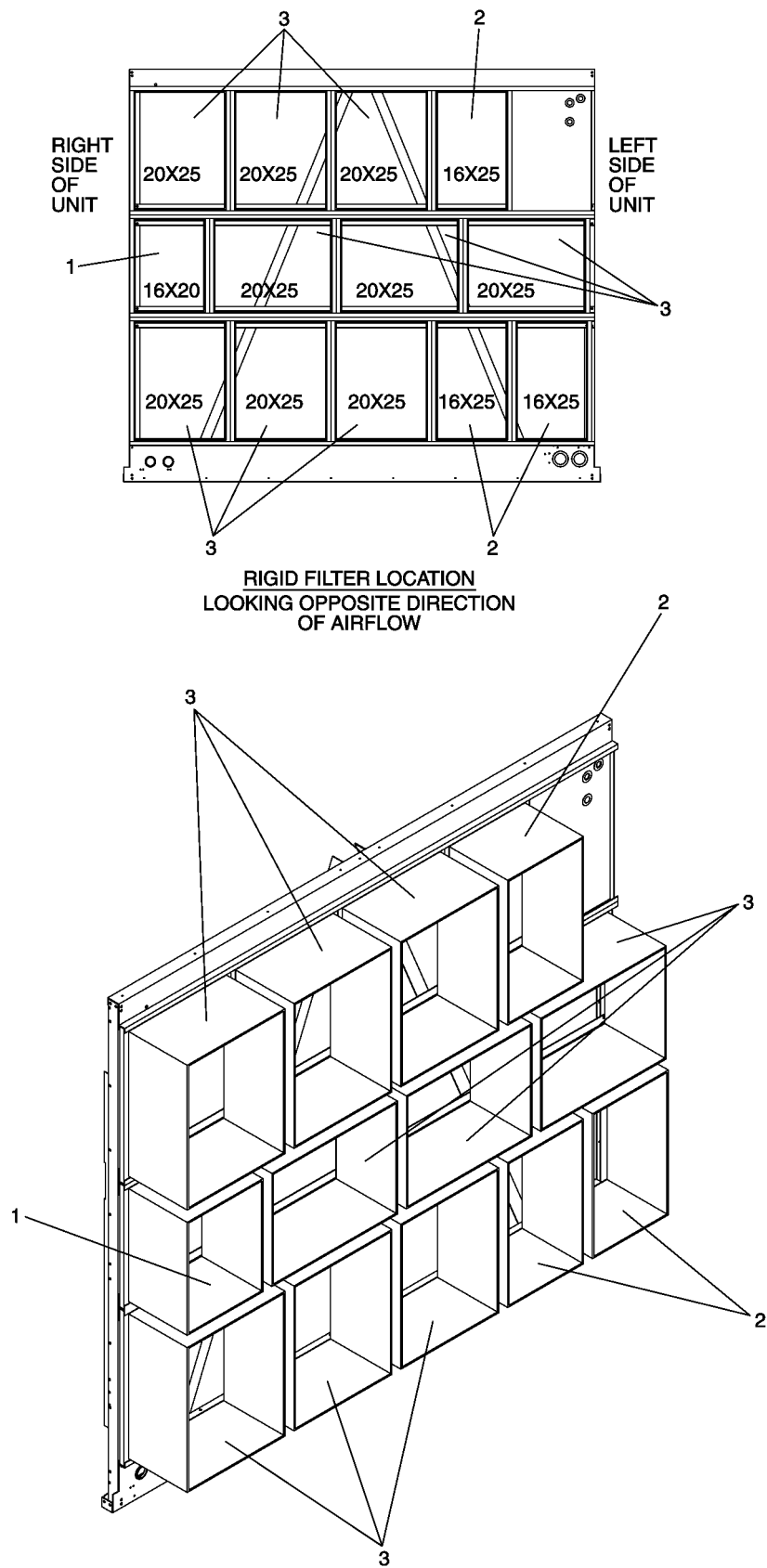


FIGURE 56 - FILTERS, RIGID (50-65 TONS) (EXTENDED CABINET)

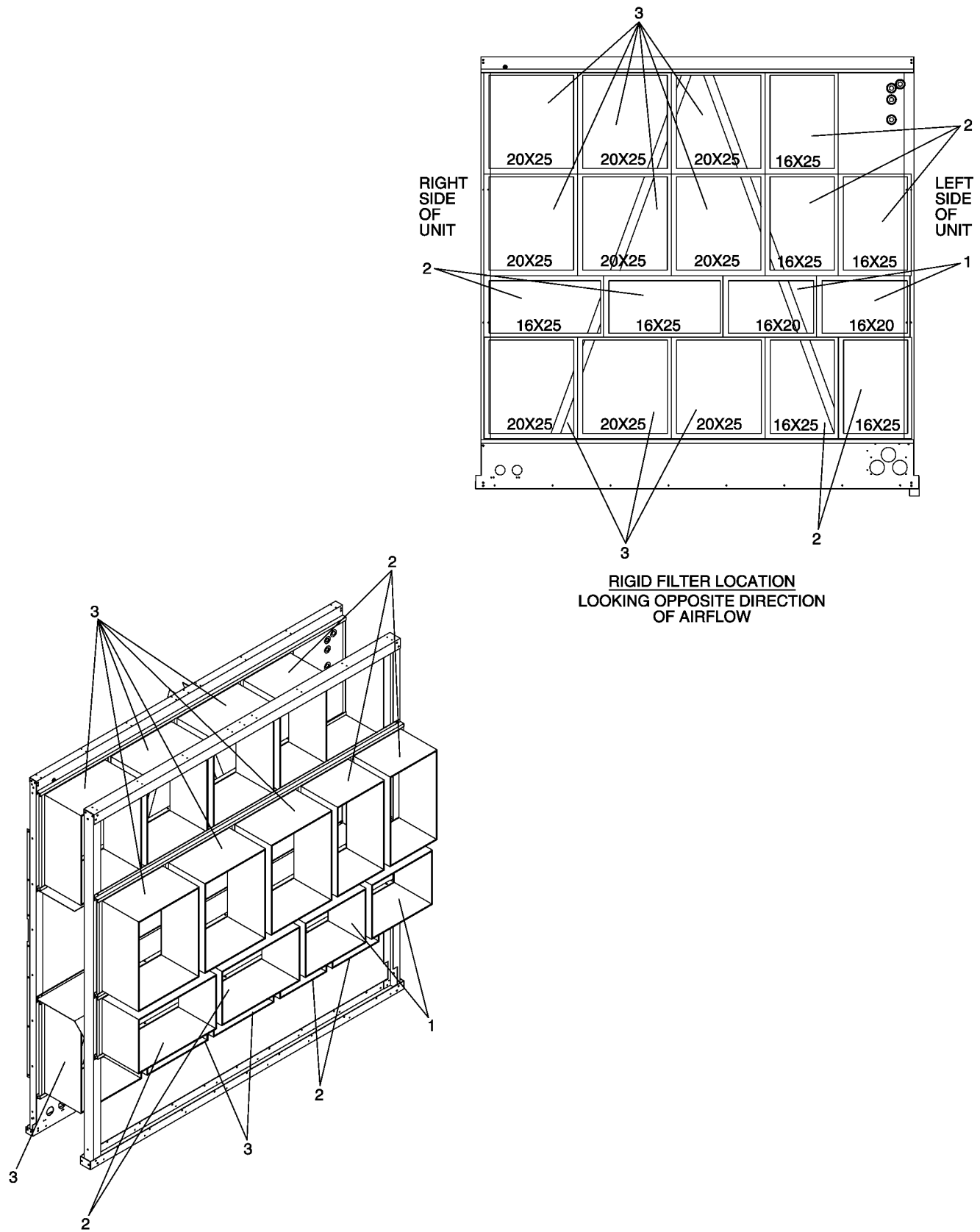


FIGURE 57 - FILTERS, RIGID (70-85 TONS) (EXTENDED CABINET)

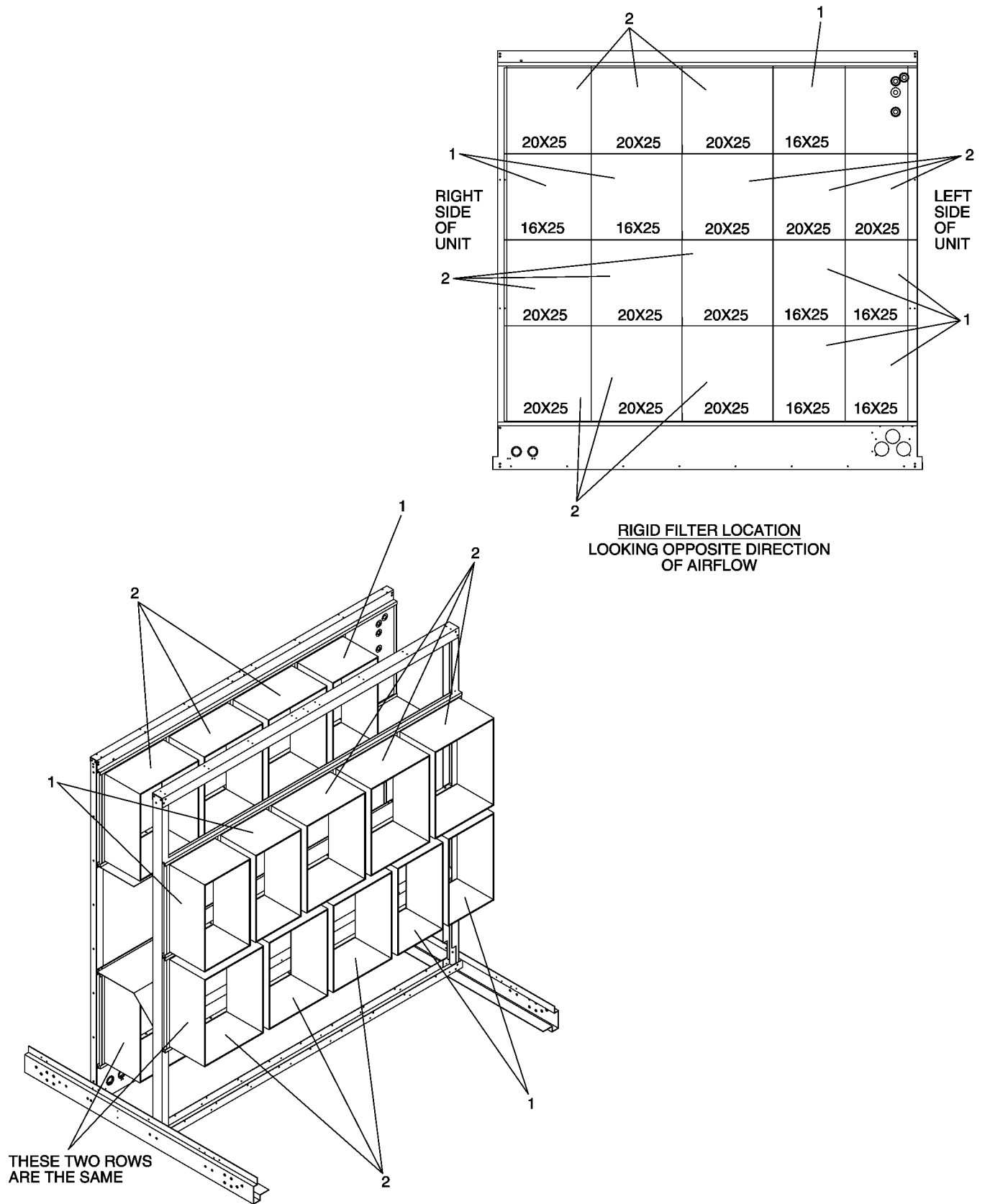


FIGURE 58 - FILTERS, RIGID (90-105 TONS) (EXTENDED CABINET)

TABLE 58 - HOT WATER HEAT COILS (EXTENDED CABINET)

FIGURE	ITEM	UNIT SIZE	TUBES HIGH	ROWS DEEP	FINS PER INCH	PART NUMBER
59	2	50-65	52	2	8	026-36434-110
59	2				10	026-36434-111
59	2				12	026-36434-112
59	2				14	026-36434-113
59	2				11	026-36434-114
59	2	70-105	60	2	8	026-36434-210
59	2				10	026-36434-211
59	2				12	026-36434-212
59	2				14	026-36434-213

TABLE 59 - STEAM HEAT COILS (EXTENDED CABINET)

FIGURE	ITEM	UNIT SIZE	TUBES HIGH	ROWS DEEP	FINS PER INCH	PART NUMBER
59	1	50-65	22	1	6	026-36433-110
59	1				8	026-36433-111
59	1				10	026-36433-112
59	1	70-105	25	1	6	026-36433-210
59	1				8	026-36433-211
59	1				10	026-36433-212

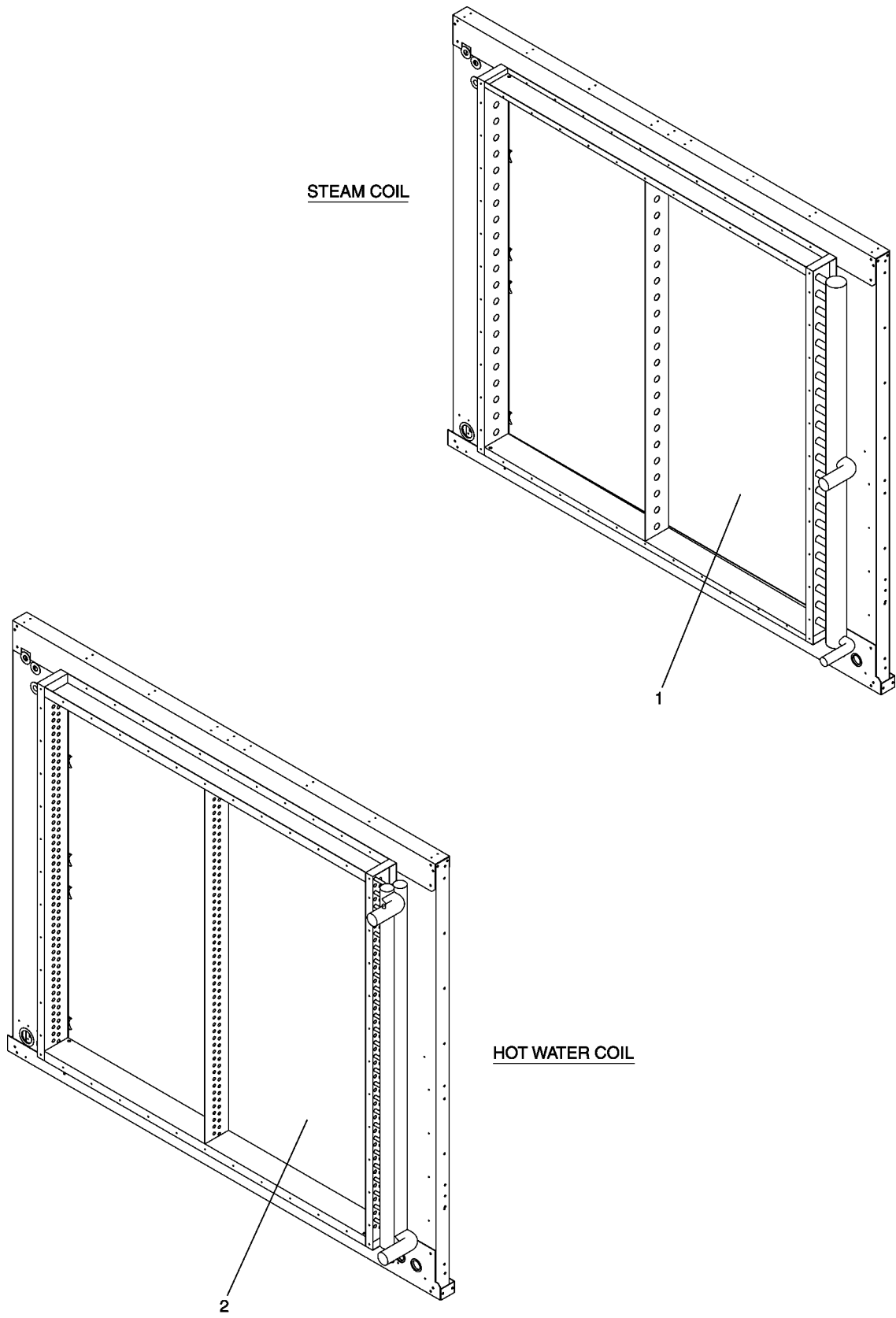


FIGURE 59 - HOT WATER AND STEAM HEAT COILS (EXTENDED CABINET)

TABLE 60 - HOT WATER HEAT PIPING PARTS (EXTENDED CABINET)

FIGURE	ITEM	VALVE SIZE	DESCRIPTION	PART NUMBER
60	1	0.75	2-Way Valve	025-35809-214
60	1	1.00	2-Way Valve	025-35809-215
60	1	1.25	2-Way Valve	025-35809-216
61	1	1.50	2-Way Valve	025-35809-217
61	1	2.00	2-Way Valve	025-35809-218
62	1	0.75	3-Way Valve	025-35809-354
62	1	1.00	3-Way Valve	025-35809-355
62	1	1.25	3-Way Valve	025-35809-356
63	1	1.50	3-Way Valve	025-35809-357
63	1	2.00	3-Way Valve	025-35809-358
60, 62	2	0.75	Adapters for 2- and 3-Way Valve	023-20068-000
60, 62	2	1.00	Adapters for 2- and 3-Way Valve	023-20067-000
60, 62	2	1.25	Adapters for 2- and 3-Way Valve	023-00131-000
61, 63	2	1.50	Adapters for 2- and 3-Way Valve	023-20066-000
61, 63	2	2.00	Adapters for 2- and 3-Way Valve	023-00145-000
60, 62	3	0.75, 1.00, 1.25	Strainer	022-10505-000
61, 63	3	1.50, 2.00	Strainer	022-10504-000
60, 62	4	0.75, 1.00, 1.25	Pipe Plug for Strainer	023-04053-000
61, 63	4	1.50, 2.00	Pipe Plug for Strainer	023-04019-000
60, 62	5	0.75, 1.00, 1.25	Ball Valve	022-10507-000
61, 63	5	1.50, 2.00	Ball Valve	022-10506-000
60, 62	6	0.75, 1.00, 1.25	Adapters for Ball Valves and Strainer	023-00131-000
61, 63	6	1.50, 2.00	Adapters for Ball Valves and Strainer	023-00145-000

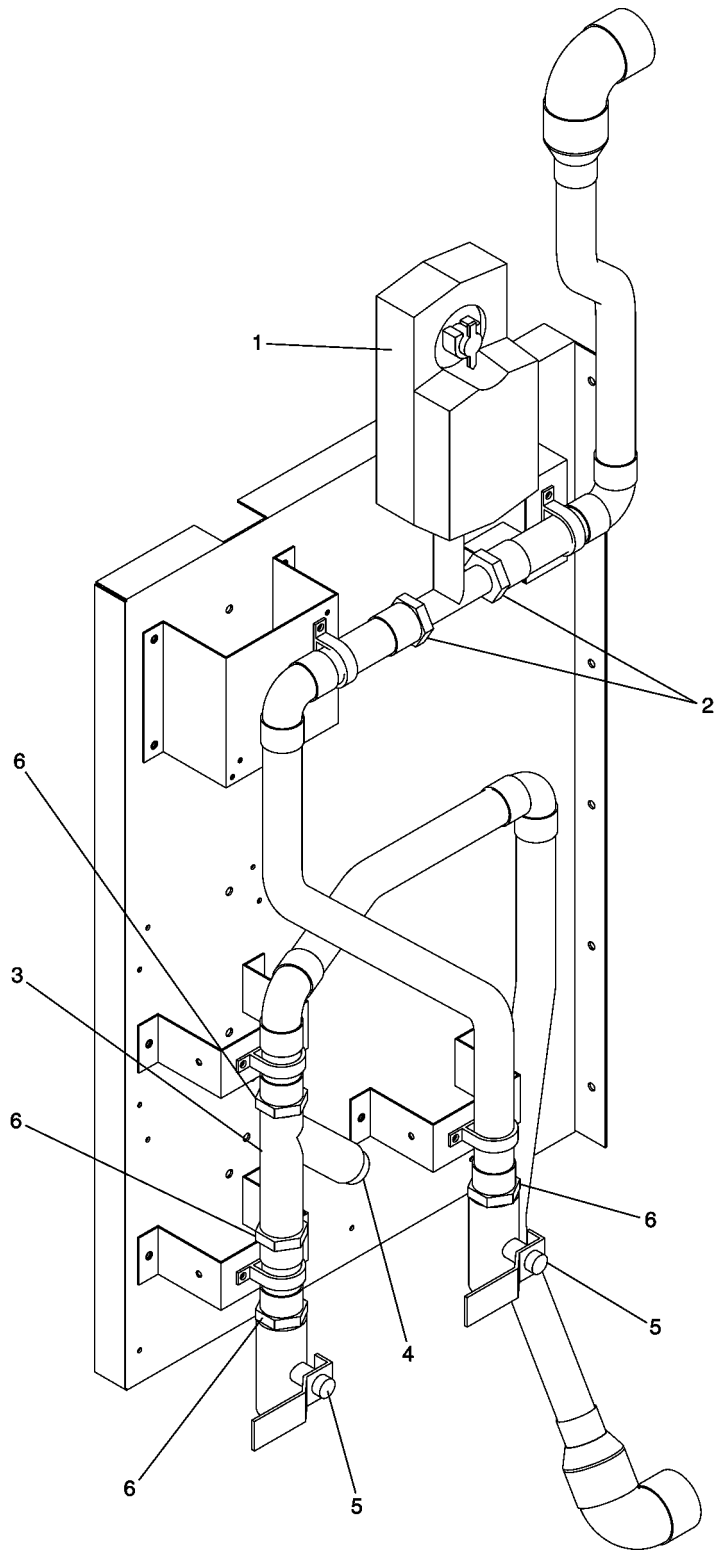
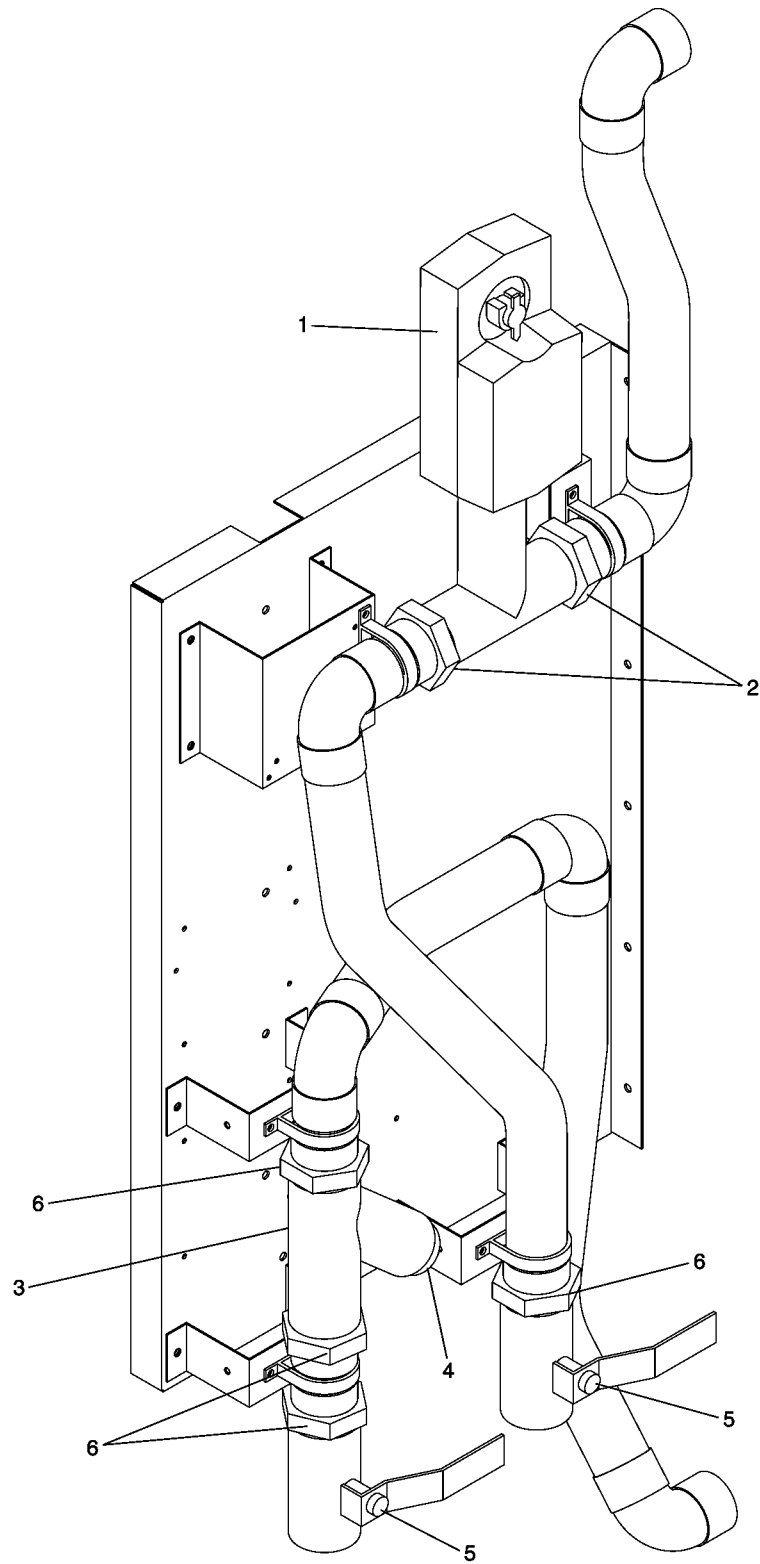


FIGURE 60 - HOT WATER HEAT 2-WAY PIPING FOR 0.75, 1.00, AND 1.25 VALVES (EXTENDED CABINET)



**FIGURE 61 - HOT WATER HEAT 2-WAY PIPING FOR 1.50 AND 2.00 VALVES
(EXTENDED CABINET)**

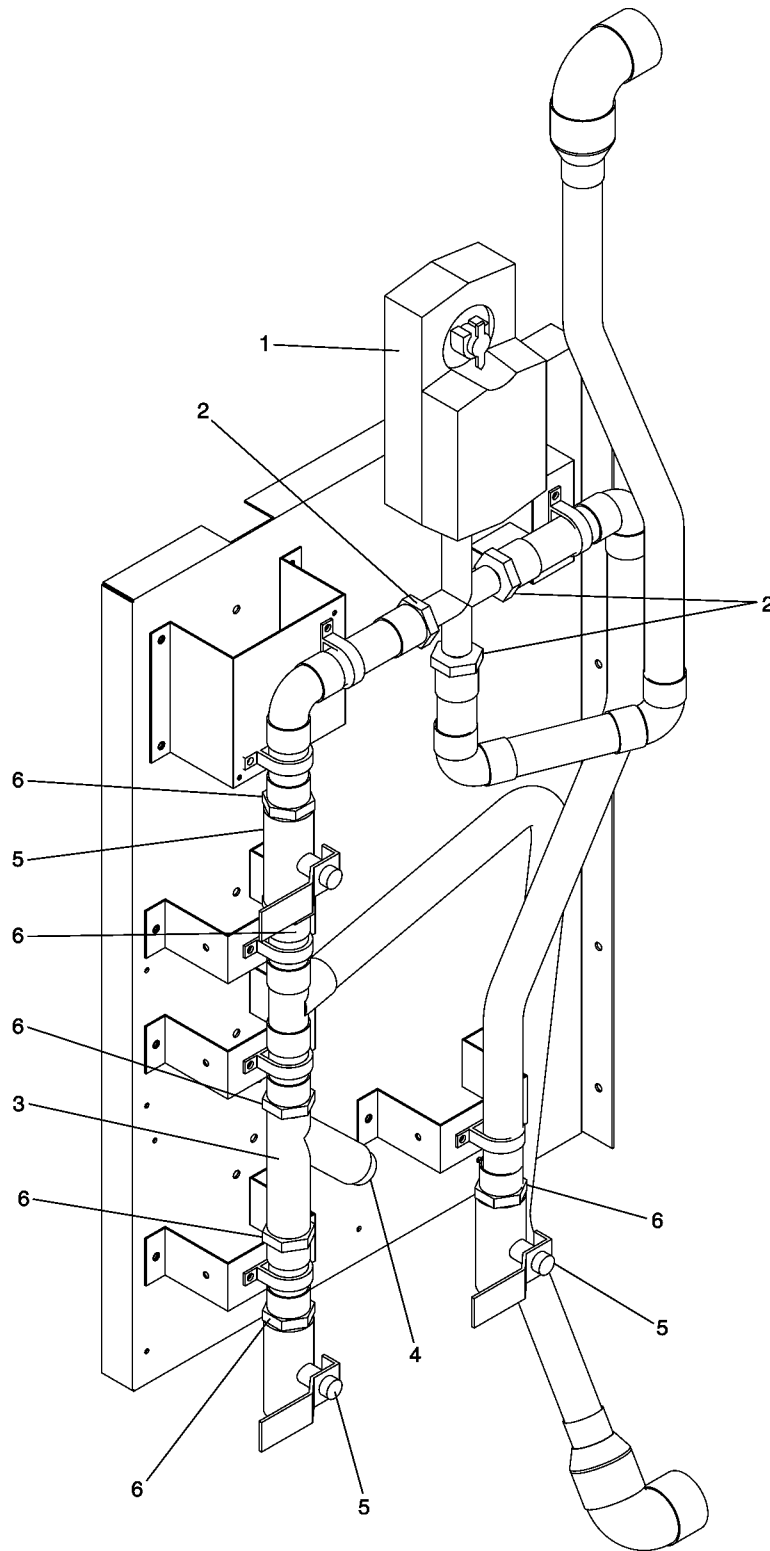
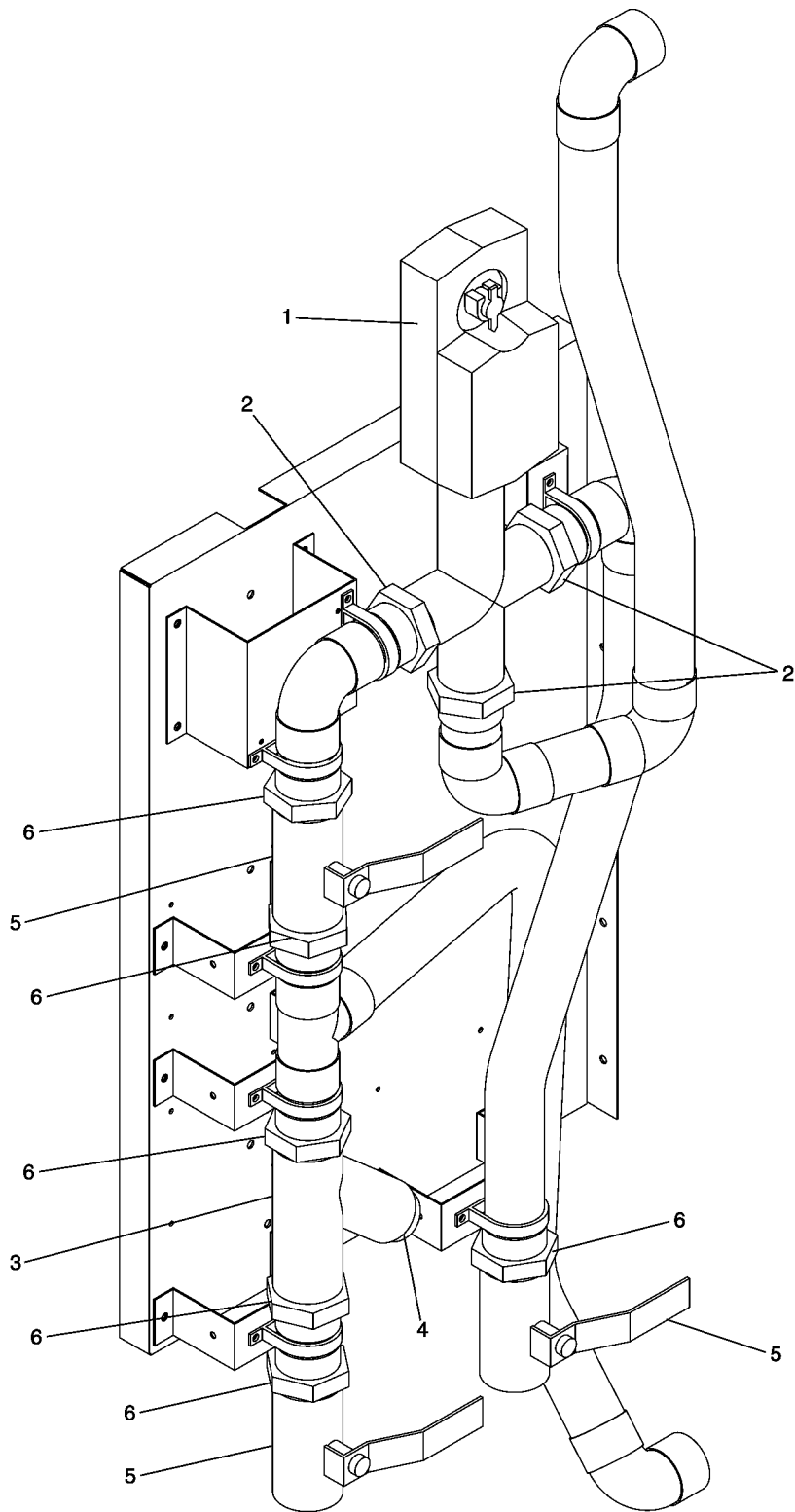


FIGURE 62 - HOT WATER HEAT 3-WAY PIPING FOR 0.75, 1.00, AND 1.25 VALVES (EXTENDED CABINET)



**FIGURE 63 - HOT WATER HEAT 3-WAY PIPING FOR 1.50 AND 2.00 VALVES
(EXTENDED CABINET)**

TABLE 61 - CONDENSER COIL LANCED PANELS

FIGURE	ITEM	UNIT SIZE	DESCRIPTION	PART NUMBER
64	1	50-65	Side Lanced Panel	085-00961-000
64	2		End Lanced Panel	085-00960-000
64	3		End Top/Bottom Lanced Panel	085-00959-000
64	4		End Top/Bottom Lanced Panel, Electric Heat	085-00994-000
64	1,2,3		Lanced Panel Set	385-00439-202
64	1,2,4		Lanced Panel Set, Electric Heat	385-00439-205
65	1	70-105	Side Lanced Panel	085-00965-000
65	2		End Lanced Panel	085-00964-000
65	3		End Top Lanced Panel	085-00966-000
65	4		End Bottom Lanced Panel	085-00959-000
65	5		End Top Lanced Panel, Electric Heat	085-00994-000
65	6		End Bottom Lanced Panel, Electric Heat	085-00994-002
65	1,2,3,4		Lanced Panel Set	385-00439-208
65	1,2,5,6		Lanced Panel Set, Electric Heat	385-00439-210

TABLE 62 - CONDENSER COIL WIRE GUARDS

FIGURE	ITEM	UNIT SIZE	DESCRIPTION	PART NUMBER
64	5	50-65	Side Wire Guard	026-36430-001
64	6		End Wire Guard	026-36430-002
64	7		End Top/Bottom Wire Guard	026-36431-001
64	8		End Top/Bottom Wire Guard, Electric Heat	026-36431-003
64	5,6,7		Wire Guard Set	385-00439-201
64	5,6,8		Wire Guard Set, Electric Heat	385-00439-204
65	7	70-105	Side Wire Guard	026-36430-003
65	8		End Wire Guard	026-36430-004
65	9		End Bottom Wire Guard	026-36431-001
65	10		End Top Wire Guard	026-36431-002
65	11		End Top Wire Guard, Electric Heat	026-36431-004
65	12		End Bottom Wire Guard, Electric Heat	026-36431-003
65	7,8,9,10		Wire Guard Set	385-00439-207
65	7,8,11,12		Wire Guard Set, Electric Heat	385-00439-206

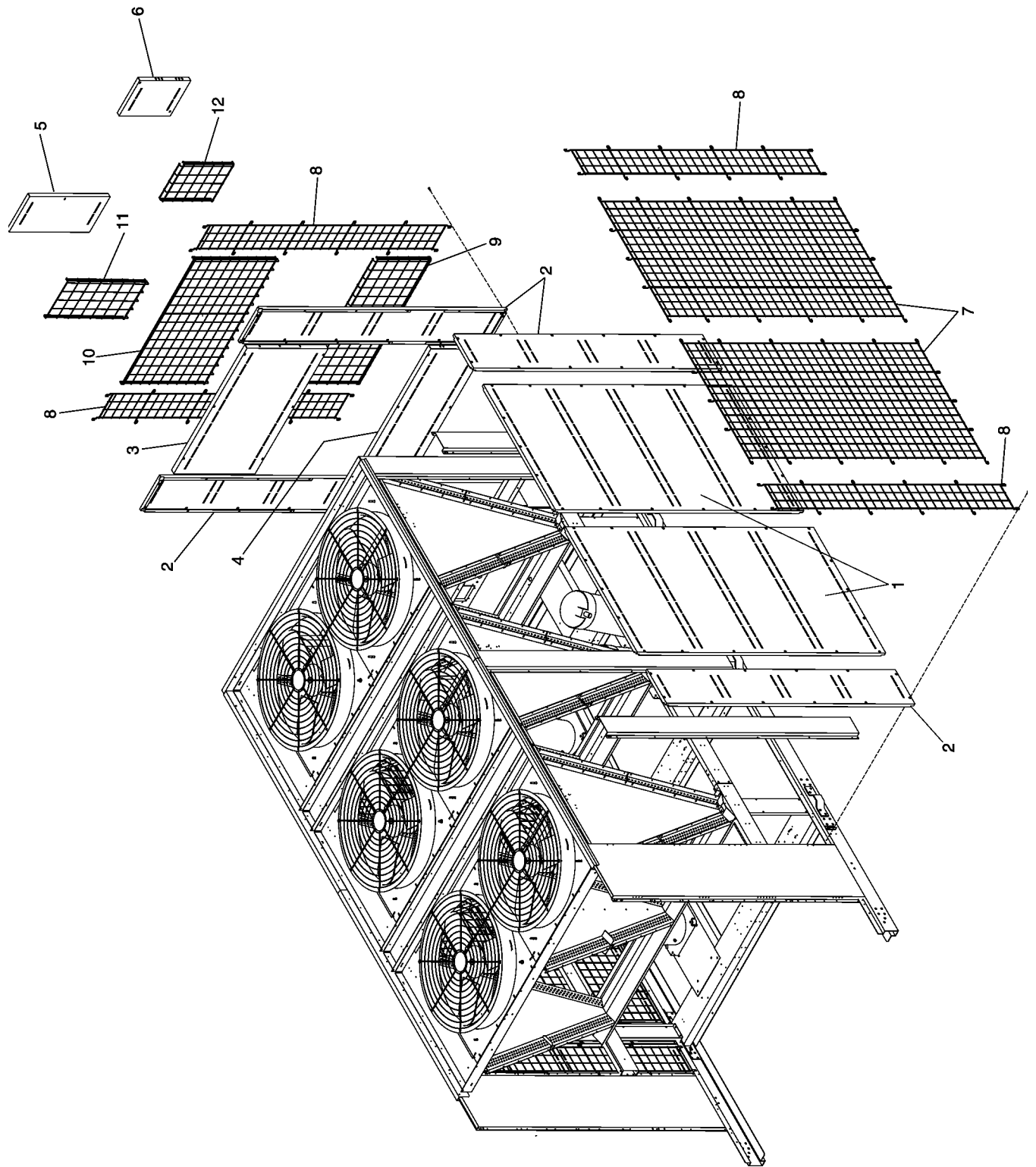


FIGURE 65 - CONDENSER COIL LANCED PANELS AND WIRE GUARDS (70-105 TONS)

TABLE 63 - CONDENSER FANS AND FAN GUARDS

FIGURE	ITEM	UNIT SIZE	DESCRIPTION	PART NUMBER
66	1	50-105	Fan Guard	026-35605-000
66	2		Fan	026-41594-000

TABLE 64 - CONDENSER FAN MOTORS

FIGURE	ITEM	UNIT SIZE	VOLTAGE	PART NUMBER	QUANTITY
66	3	50-65	200	024-27322-003	4
66	3		230	024-27322-006	4
66	3		380	024-27322-004	4
66	3		400 (50 Hz)	024-27322-005	4
66	3		460	024-27322-005	4
66	3		575	024-27322-002	4
66	3	70-105	200	024-27322-003	6
66	3		230	024-27322-006	6
66	3		380	024-27322-004	6
66	3		400 (50 Hz)	024-27322-005	6
66	3		460	024-27322-005	6
66	3		575	024-27322-002	6

TABLE 65 - CONDENSER FAN MOTOR VARIABLE FREQUENCY DRIVES

FIGURE	ITEM	UNIT SIZE	VOLTAGE	HERTZ	PART NUMBER
67	1	50-105	200-230	60	024-27367-001
67	1		460	60	024-27367-002
67	1		575	60	024-27369-000
67	1		400	50	024-27367-002
67	1		380	60	024-27367-002

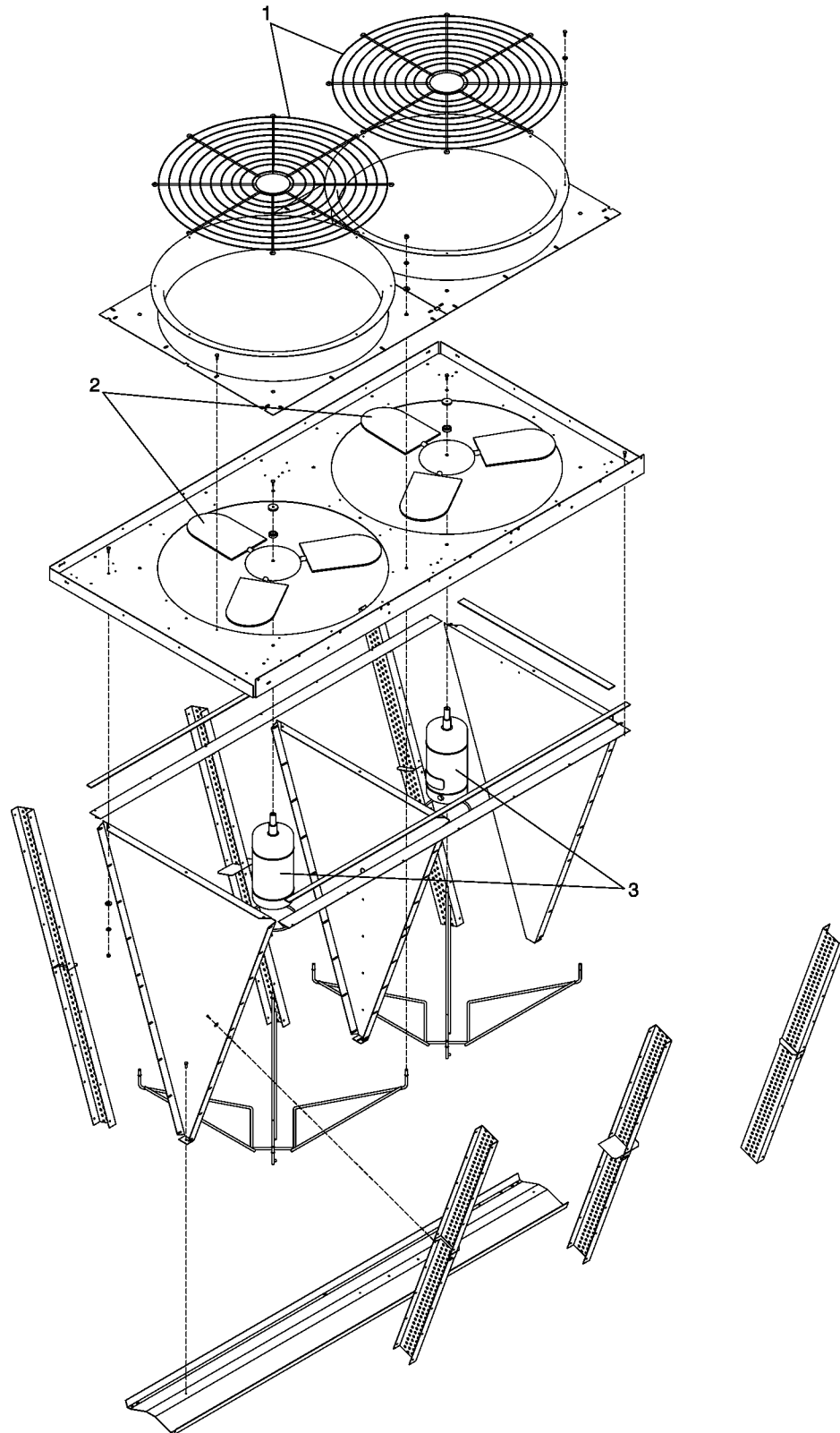


FIGURE 66 - CONDENSER FANS, FAN GUARDS, AND FAN MOTORS

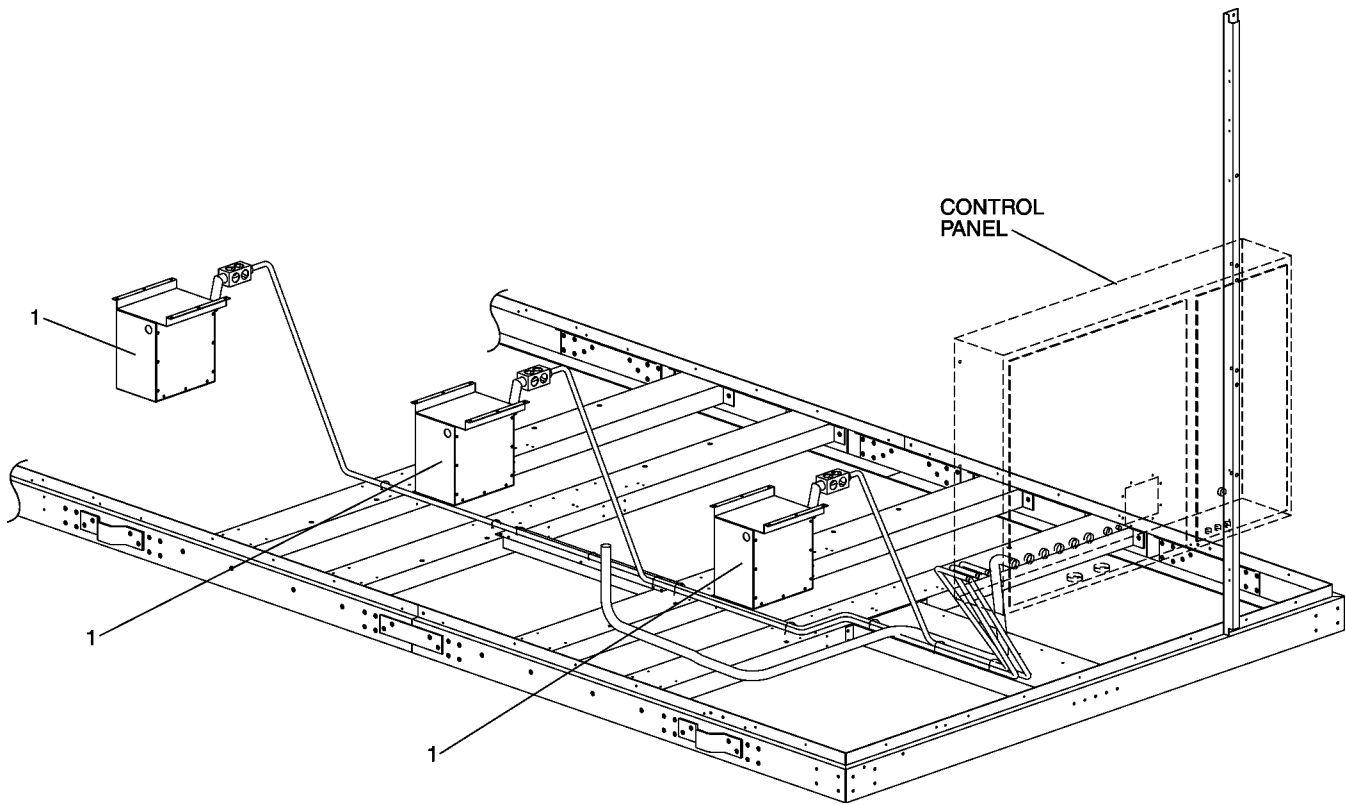


FIGURE 67 - CONDENSER FAN MOTOR VARIABLE FREQUENCY DRIVES

TABLE 66 - CONDENSER COILS (R407C)

FIGURE	ITEM	UNIT SIZE	PART NUMBER				QUANTITY
			ALUMINUM FINS	COPPER FINS	ALUMINUM PRE-COAT BLACK FINS	ALUMINUM POST-COAT TECHNICOAT FINS	
68	1	50-65	385-00542-015	385-00542-115	385-00542-215	385-00542-315	8
69	1	70-75	385-00542-016	385-00542-116	385-00542-216	385-00542-316	12
68	1	80-105	385-00542-015	385-00542-115	385-00542-215	385-00542-315	12

Note: When replacing condenser coils, headers must also be replaced (see Tables 68 and 69).

TABLE 67 - CONDENSER COILS (R22)

FIGURE	ITEM	UNIT SIZE	PART NUMBER				QUANTITY
			ALUMINUM FINS	COPPER FINS	ALUMINUM PRE-COAT BLACK FINS	ALUMINUM POST-COAT TECHNICOAT FINS	
70	1	50-65	385-00542-017	385-00542-117	385-00542-217	385-00542-317	8
69	1	70-75	385-00542-018	385-00542-118	385-00542-218	385-00542-318	12
70	1	80-95	385-00542-017	385-00542-117	385-00542-217	385-00542-317	12
70	1	105	385-00542-019	385-00542-119	385-00542-219	385-00542-319	12

Note: When replacing condenser coils, headers must also be replaced (see Tables 70 and 71).

TABLE 68 - CONDENSER DISCHARGE HEADERS (R407C)

FIGURE	ITEM	UNIT SIZE	LOCATION	PART NUMBER		QTY
				ALUMINUM, COPPER, AND ALUMINUM PRE-COAT BLACK FINS	ALUMINUM POST-COAT TECHNICOAT FINS	
68	2	50-65	Right Hand	023-20028-000	023-20028-100	2
	3		Left Hand	023-20028-000	023-20028-100	2
69	2	70-75	Right Hand	023-20028-010	023-20028-110	3
	3		Left Hand	023-20028-010	023-20028-110	3
68	2	80-105	Right Hand	023-20028-000	023-20028-100	3
	3		Left Hand	023-20028-000	023-20028-100	3

TABLE 69 - CONDENSER LIQUID HEADERS (R407C)

FIGURE	ITEM	UNIT SIZE	LOCATION	PART NUMBER		QTY
				ALUMINUM, COPPER, AND ALUMINUM PRE-COAT BLACK FINS	ALUMINUM POST-COAT TECHNICOAT FINS	
68	4	50-65	Right Hand	023-20027-000	023-20027-100	2
	5		Left Hand	023-20027-001	023-20027-101	2
69	4	70-75	Right Hand	023-20027-010	023-20027-110	3
	5		Left Hand	023-20027-011	023-20027-111	3
68	4	80-105	Right Hand	023-20027-000	023-20027-100	3
	5		Left Hand	023-20027-001	023-20027-101	3

TABLE 70 - CONDENSER DISCHARGE HEADERS (R22)

FIGURE	ITEM	UNIT SIZE	LOCATION	PART NUMBER		QTY
				ALUMINUM, COPPER, AND ALUMINUM PRE-COAT BLACK FIN S	ALUMINUM POST-COAT TECHNICOAT FIN S	
70	2	50-65	Right Hand	023-20070-000	023-20072-000	2
	3		Left Hand	023-20070-001	023-20072-001	2
69	2	70-75	Right Hand	023-20028-010	023-20028-110	3
	3		Left Hand	023-20028-010	023-20028-110	3
70	2	80-105	Right Hand	023-20070-000	023-20072-000	3
	3		Left Hand	023-20070-001	023-20072-001	3

TABLE 71 - CONDENSER LIQUID HEADERS (R22)

FIGURE	ITEM	UNIT SIZE	LOCATION	PART NUMBER		QTY
				ALUMINUM, COPPER, AND ALUMINUM PRE-COAT BLACK FIN S	ALUMINUM POST-COAT TECHNICOAT FIN S	
70	4	50-65	Right Hand	023-20069-000	023-20071-000	2
	5		Left Hand	023-20069-001	023-20071-001	2
69	4	70-75	Right Hand	023-20027-010	023-20027-110	3
	5		Left Hand	023-20027-011	023-20027-111	3
70	4	80-105	Right Hand	023-20069-000	023-20071-000	3
	5		Left Hand	023-20069-001	023-20071-001	3

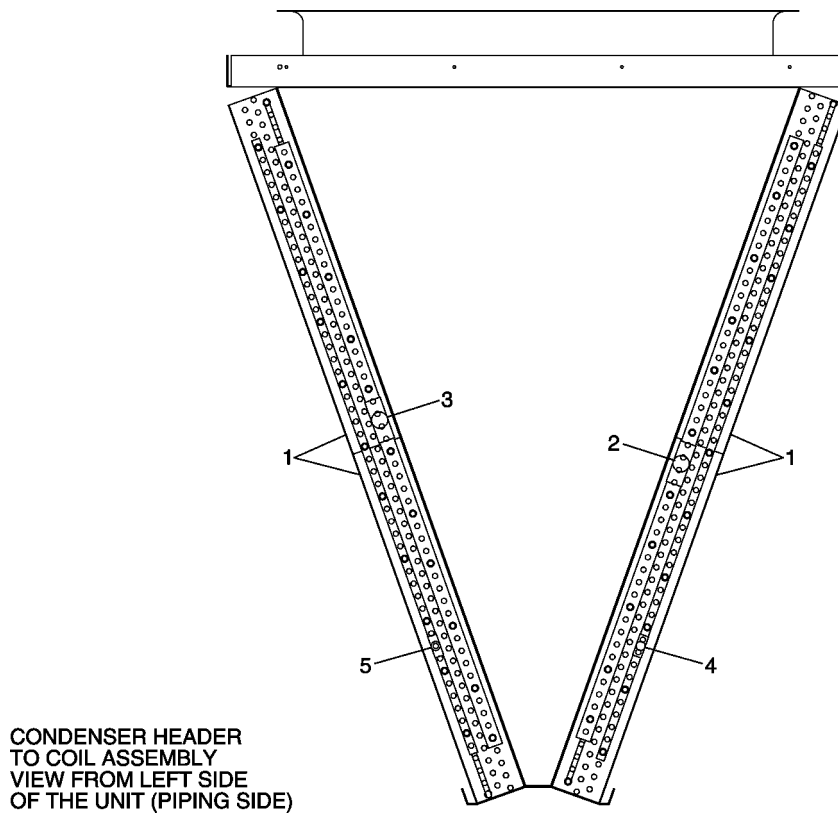


FIGURE 68 - CONDENSER COILS AND HEADERS FOR R407C (50-65 AND 80-105 TONS)

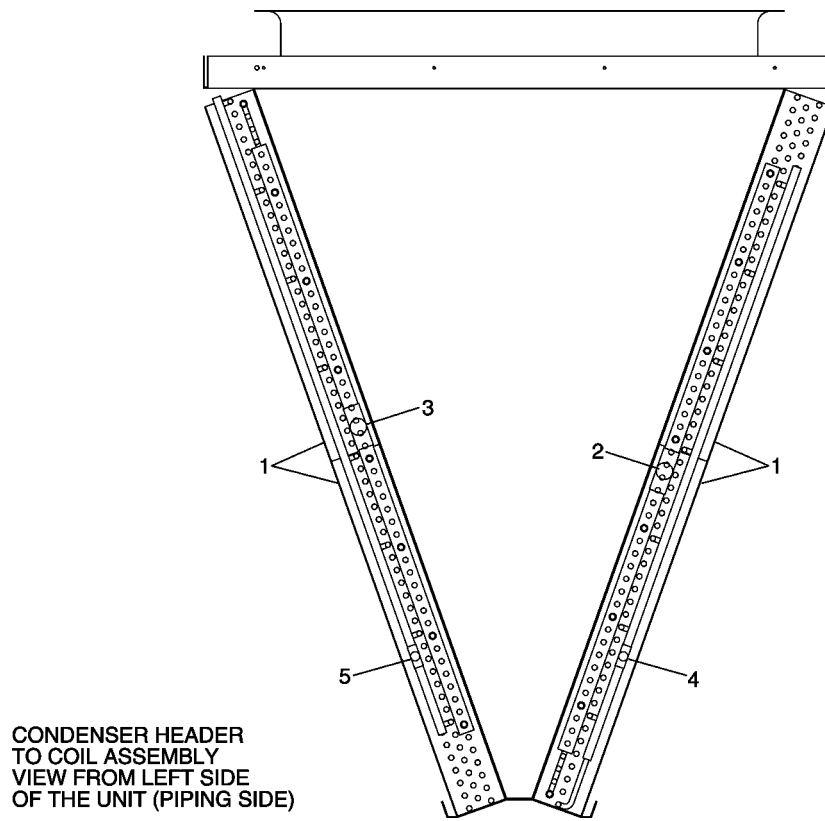


FIGURE 69 - CONDENSER COILS AND HEADERS FOR R407C AND R22 (70-75 TONS)

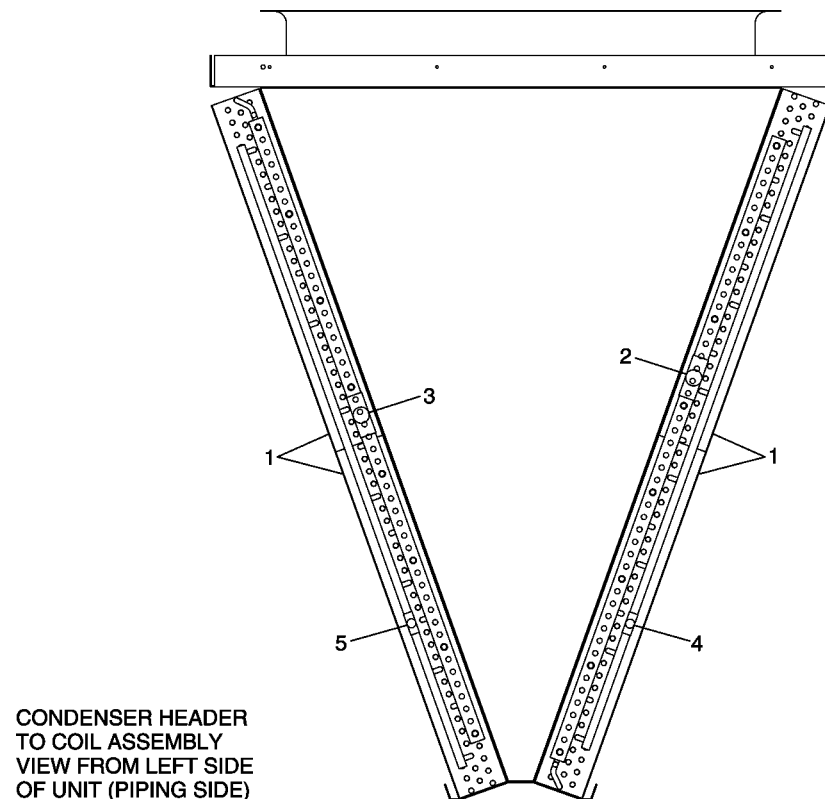


FIGURE 70 - CONDENSER COILS AND HEADERS FOR R22 (50-65 AND 80-105 TONS)

TABLE 72 - REFRIGERANT PIPING PARTS (R407C AND R22)

FIGURE	ITEM	UNIT SIZE	DESCRIPTION	PART NUMBER	QTY
72	1	50	TXV and Distributor Assembly (Flexsys) ¹	026-36383-001	4
72	1	55	TXV and Distributor Assembly (Flexsys) ¹	026-36383-002	4
72	1	60	TXV and Distributor Assembly (Flexsys) ¹	026-36383-003	4
72	1	65	TXV and Distributor Assembly (Flexsys) ¹	026-36383-004	4
75	1	70	TXV and Distributor Assembly (Flexsys) ¹	026-36383-006	4
75	2			026-36383-017	2
75	1	75	TXV and Distributor Assembly (Flexsys) ¹	026-36383-017	4
75	2			026-36383-018	2
75	1	80	TXV and Distributor Assembly (Flexsys) ¹	026-36383-015	4
75	2			026-36383-006	2
75	1	85	TXV and Distributor Assembly (Flexsys) ¹	026-36383-017	4
75	2			026-36383-018	2
75	1	90	TXV and Distributor Assembly (Flexsys) ¹	026-36383-011	4
75	2			026-36383-012	2
75	1	95	TXV and Distributor Assembly (Flexsys) ¹	026-36383-003	4
75	2			026-36383-014	2
75	1	105	TXV and Distributor Assembly (Flexsys) ¹	026-36383-002	4
75	2			026-36383-029	2
72	1	50-55	TXV and Distributor Assembly (Nonflexsys) ¹	026-36383-020	4
72	1	60-65	TXV and Distributor Assembly (Nonflexsys) ¹	026-36383-021	4
75	1	70	TXV and Distributor Assembly (Nonflexsys) ¹	026-36383-024	4
75	2			026-36383-020	2
75	1	75	TXV and Distributor Assembly (Nonflexsys) ¹	026-36383-025	4
75	2			026-36383-020	2
75	1	80-85	TXV and Distributor Assembly (Nonflexsys) ¹	026-36383-026	4
75	2			026-36383-026	2
75	1	90	TXV and Distributor Assembly (Nonflexsys) ¹	026-36383-027	4
75	2			026-36383-028	2
75	1	95	TXV and Distributor Assembly (Nonflexsys) ¹	026-36383-027	4
75	2			026-36383-020	2
75	1	105	TXV and Distributor Assembly (Nonflexsys) ¹	026-36383-030	4
75	2			026-36383-030	2
72	3	50-55	Solenoid Valve (Flexsys)	025-36165-000	2
72	3	60-65	Solenoid Valve (Flexsys)	025-36166-000	2
75	3	70-105	Solenoid Valve (Flexsys)	025-36166-000	3
72	4	50-55	Solenoid Valve	025-17464-000	2
72	5	60-65	Solenoid Valve	025-32916-000	2
75	4	70-85	Solenoid Valve	025-17464-000	3
75	4	90-105	Solenoid Valve	025-17464-000	1
75	5			025-32916-000	2
72	6	50-65	Sight Glass	026-15305-000	2
75	6	70-105	Sight Glass	026-15305-000	3
73, 76	7	50-105	Hot Gas Bypass Valve	025-36171-000	1
71, 72	8	50-65	Service Valve with Core	022-15213-000	10
74, 75	8	70-105	Service Valve with Core	022-15213-000	15

TABLE 72 - REFRIGERANT PIPING PARTS (R407C AND R22) (CONTINUED)

71	9	50-65	Service Valve without Core	023-06596-000	4
74	9	70-105	Service Valve without Core	023-06596-000	6
71	10	50-65	Charge/Drain/Evacuation Valve	022-09754-000	4
74	10	70-105	Charge/Drain/Evacuation Valve	022-09754-000	6
71	11	50-65	High Pressure Relief Valve	022-08881-000	2
74	11	70-105	High Pressure Relief Valve	022-08881-000	3
71	12	50-65	Discharge Line Shutoff Valve	022-10501-000	2
74	12	70-105	Discharge Line Shutoff Valve	022-10501-000	3
71	13	50-65	Suction Line Shutoff Valve	022-09752-000	2
74	13	70-75	Suction Line Shutoff Valve	022-10501-000	2
74	14	70-75	Suction Line Shutoff Valve	022-09752-000	1
74	14	80-105	Suction Line Shutoff Valve	022-09752-000	3
72	15	50-65	Liquid Line Shutoff Valve	022-10500-000	2 or 4 ²
75	15	70-105	Liquid Line Shutoff Valve	025-10500-000	3 or 6 ³
71	16	50-65	Liquid Level Indicator	026-41616-000	2
74	16	70-105	Liquid Level Indicator	026-41616-000	3

¹See Table 75 for separate TXV and distributor part numbers.

²Quantity is 4 on units with replaceable filter drier cores.

³Quantity is 6 on units with replaceable filter drier cores.

TABLE 73 - COMPRESSORS, SCROLL (R407C)

FIGURE	ITEM	UNIT SIZE	VOLTAGE	HERTZ	PART NUMBER	QUANTITY
71	17	50-55	200, 230	60	015-04011-301	4
71	17		460	60	015-04011-304	4
71	17		575	60	015-04011-305	4
71	17		400	50	015-04011-304	4
71	17		380	60	015-04011-302	4
71	18	60-65	200, 230	60	015-04008-301	4
71	18		460	60	015-04008-304	4
71	18		575	60	015-04008-305	4
71	18		400	50	015-04008-304	4
71	18		380	60	015-04008-302	4
74	17	70-75	200, 230	60	015-04011-301	2
74	19				015-04010-301	4
74	17		460	60	015-04011-304	2
74	19				015-04010-304	4
74	17		575	60	015-04011-305	2
74	19				015-04010-305	4
74	17		400	50	015-04011-304	2
74	19				015-04010-304	4
74	17		380	60	015-04011-302	2
74	19				015-04010-302	4
74	17	80-85	200, 230	60	015-04011-301	6
74	17		460	60	015-04011-304	6
74	17		575	60	015-04011-305	6
74	17		400	50	015-04011-304	6
74	17		380	60	015-04011-302	6
74	17	90-95	200, 230	60	015-04011-301	2
74	18				015-04008-301	4
74	17		460	60	015-04011-304	2
74	18				015-04008-304	4
74	17		575	60	015-04011-305	2
74	18				015-04008-305	4
74	17		400	50	015-04011-304	2
74	18				015-04008-304	4
74	17		380	60	015-04011-302	2
74	18				015-04008-302	4
74	18	105	200, 230	60	015-04008-301	6
74	18		460	60	015-04008-304	6
74	18		575	60	015-04008-305	6
74	18		400	50	015-04008-304	6
74	18		380	60	015-04008-302	6

TABLE 74 - COMPRESSORS, SCROLL (R22)

FIGURE	ITEM	UNIT SIZE	VOLTAGE	HERTZ	PART NUMBER	QUANTITY
71	17	50-55	200, 230	60	015-04011-101	4
71	17		460	60	015-04011-104	4
71	17		575	60	015-04011-105	4
71	17		400	50	015-04011-104	4
71	17		380	60	015-04011-102	4
71	18	60-65	200, 230	60	015-04008-101	4
71	18		460	60	015-04008-104	4
71	18		575	60	015-04008-105	4
71	18		400	50	015-04008-104	4
71	18		380	60	015-04008-102	4
74	17	70-75	200, 230	60	015-04011-101	2
74	19				015-04010-101	4
74	17		460	60	015-04011-104	2
74	19				015-04010-104	4
74	17		575	60	015-04011-105	2
74	19				015-04010-105	4
74	17		400	50	015-04011-104	2
74	19				015-04010-104	4
74	17		380	60	015-04011-102	2
74	19				015-04010-102	4
74	17	80-85	200, 230	60	015-04011-101	6
74	17		460	60	015-04011-104	6
74	17		575	60	015-04011-105	6
74	17		400	50	015-04011-104	6
74	17		380	60	015-04011-102	6
74	17	90-95	200, 230	60	015-04011-101	2
74	18				015-04008-101	4
74	17		460	60	015-04011-104	2
74	18				015-04008-104	4
74	17		575	60	015-04011-105	2
74	18				015-04008-105	4
74	17		400	50	015-04011-104	2
74	18				015-04008-104	4
74	17		380	60	015-04011-102	2
74	18				015-04008-102	4
74	18	105	200, 230	60	015-04008-101	6
74	18		460	60	015-04008-104	6
74	18		575	60	015-04008-105	6
74	18		400	50	015-04008-104	6
74	18		380	60	015-04008-102	6

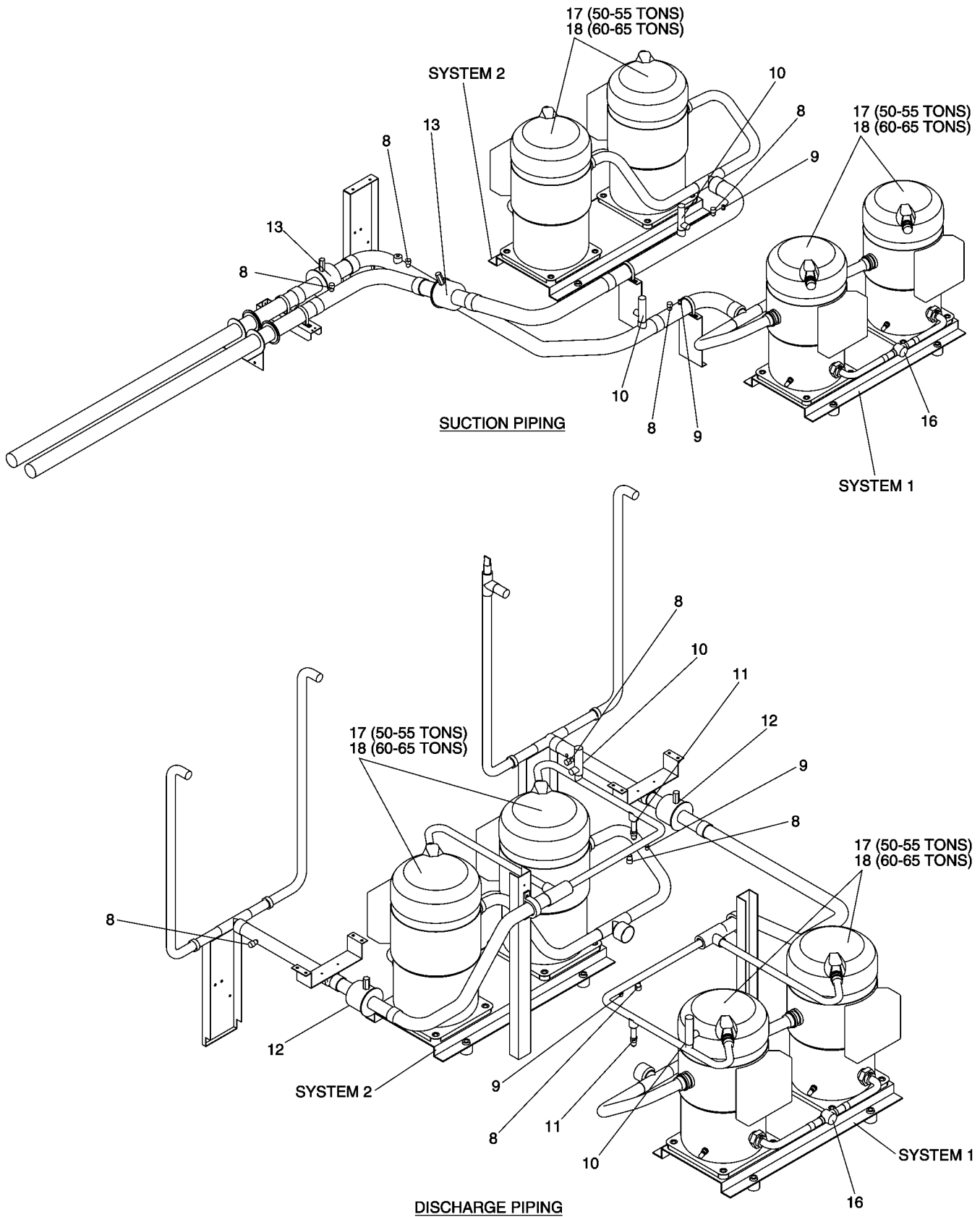


FIGURE 71 - REFRIGERANT SUCTION AND DISCHARGE PIPING (50-65 TONS)

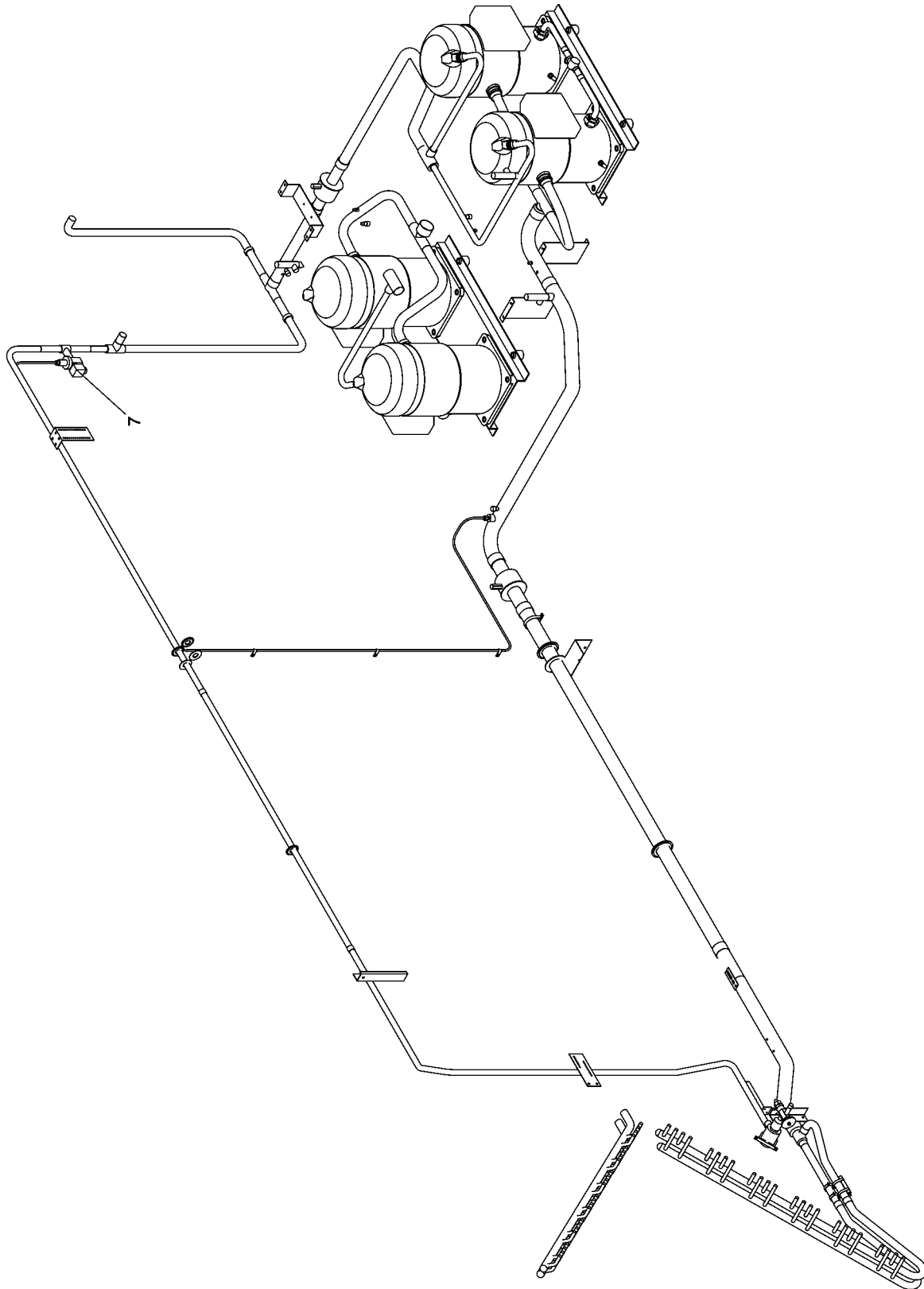


FIGURE 73 - REFRIGERANT HOT GAS PIPING (50-65 TONS)

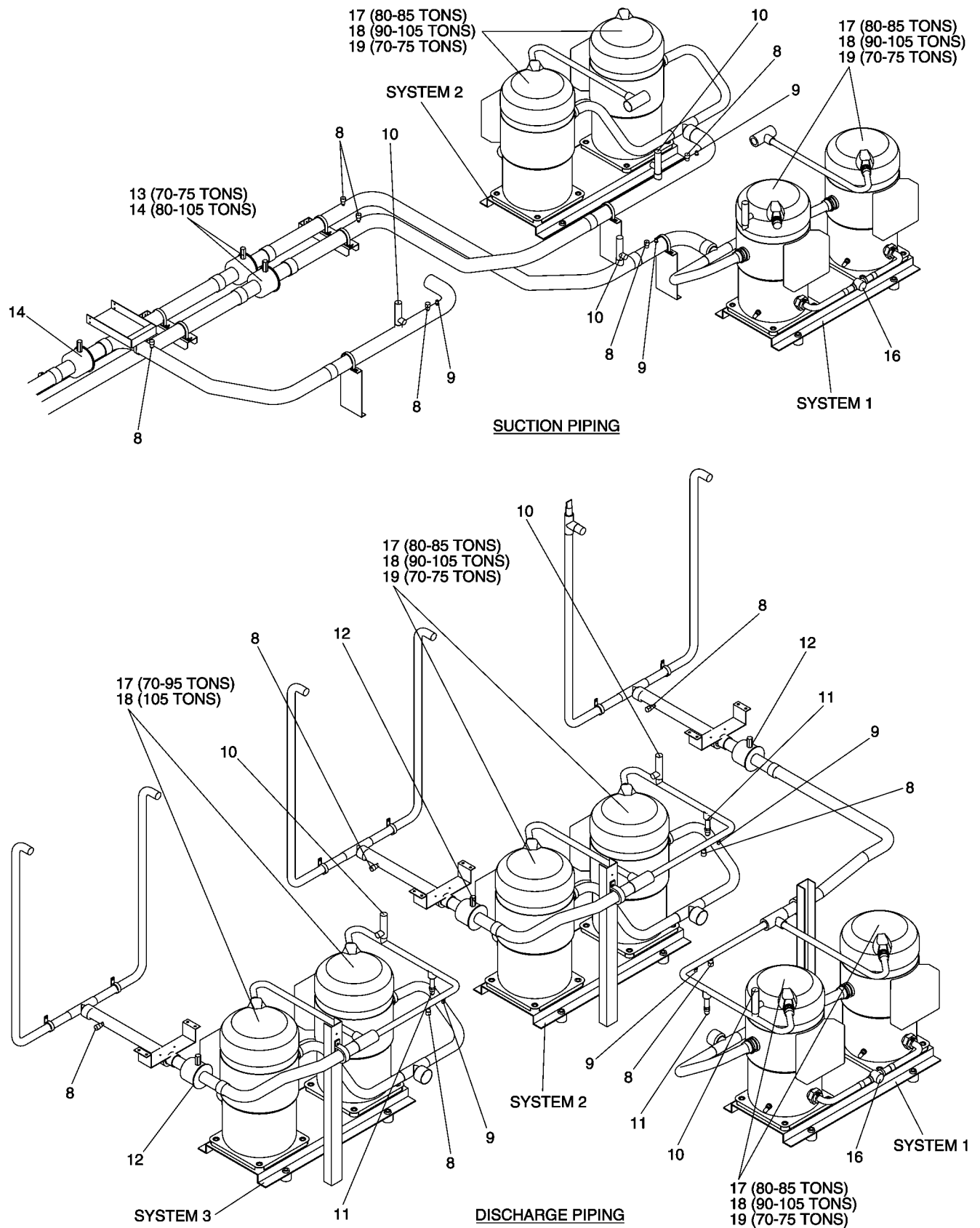


FIGURE 74 - REFRIGERANT SUCTION AND DISCHARGE PIPING (70-105 TONS)

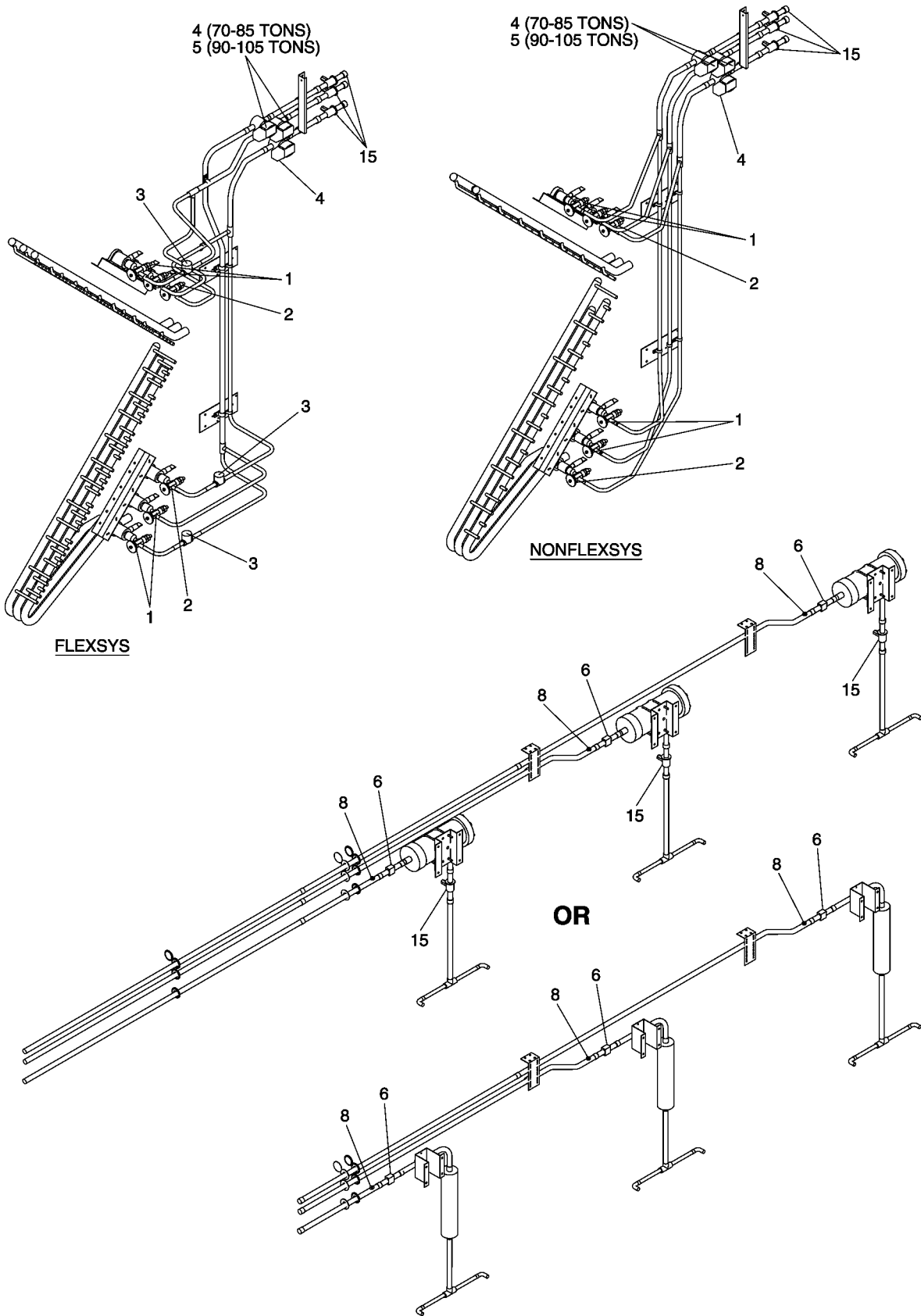


FIGURE 75 - REFRIGERANT LIQUID PIPING (70-105 TONS)

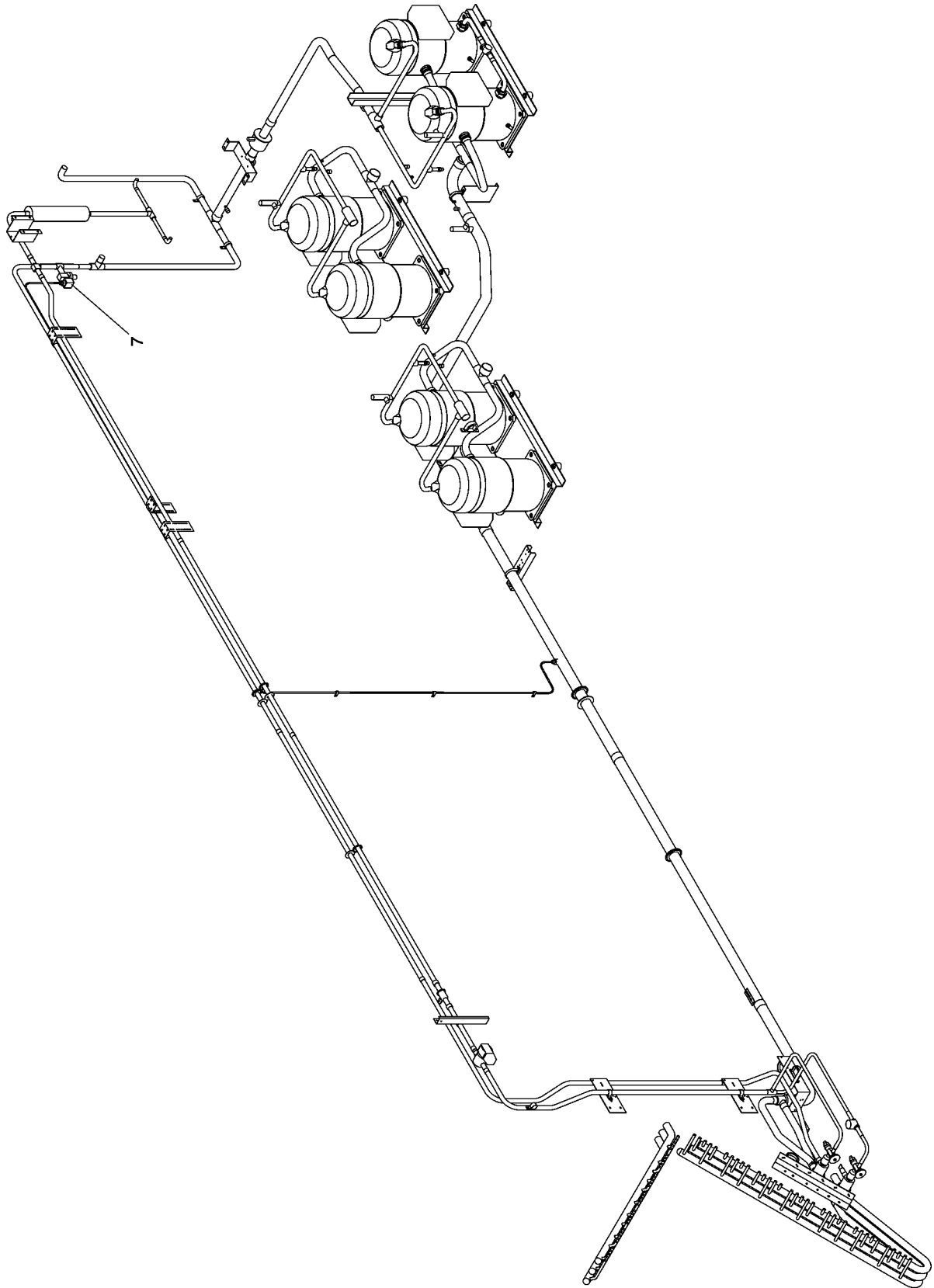


FIGURE 76 - REFRIGERANT HOT GAS PIPING (70-105 TONS)

TABLE 75 - THERMAL EXPANSION VALVES AND DISTRIBUTORS

THERMAL EXPANSION VALVE AND DISTRIBUTOR ASSEMBLY PART NUMBER	THERMAL EXPANSION VALVE PART NUMBER	DISTRIBUTOR PART NUMBER
026-36383-001	025-36361-000	025-36359-000
026-36383-002	025-36360-000	025-36358-000
026-36383-003	025-36360-000	025-36389-000
026-36383-004	025-36363-000	025-36357-000
026-36383-006	025-36361-000	025-36356-000
026-36383-011	025-36360-000	025-36354-000
026-36383-012	025-36364-000	025-36356-000
026-36383-014	025-36360-000	025-36355-000
026-36383-015	025-36362-000	025-36354-000
026-36383-017	025-36362-000	025-36389-000
026-36383-018	025-36362-000	025-36355-000
026-36383-020	025-36364-000	025-40198-000
026-36383-021	025-36364-000	025-40199-000
026-36383-024	025-36361-000	025-40200-000
026-36383-025	025-36361-000	025-40201-000
026-36383-026	025-36364-000	025-40202-000
026-36383-027	025-36360-000	025-40203-000
026-36383-028	025-36364-000	025-40204-000
026-36383-030	025-36364-000	025-40199-000

TABLE 76 - COMPRESSOR CRANKCASE HEATERS

FIGURE	ITEM	COMPRESSOR HORSEPOWER	VOLTAGE	WATTAGE	PART NUMBER
77	1	10	120	70	025-37888-000
77	1	12	120	70	025-37888-000
77	1	15	120	70	025-37888-000

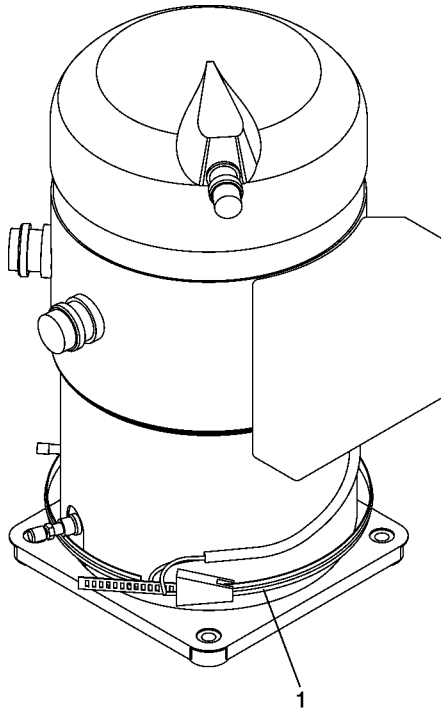


FIGURE 77 - COMPRESSOR CRANKCASE HEATER

TABLE 77 - COMPRESSOR SOUND BLANKET KITS

UNIT SIZE	PART NUMBER	QUANTITY
50-55	010-06507-003	4
60-65	010-06507-002	4
70-75	010-06507-003	6
80-85	010-06507-003	6
90-95	010-06507-002	4
	010-06507-003	2
105	010-06507-002	6

TABLE 78 - TRANSDUCERS, SWITCHES, AND SENSORS

FIGURE	ITEM	LOCATION	DESCRIPTION	PART NUMBER
78, 79	1	Condenser Section	Suction Pressure Transducer	025-36113-001
78, 79	2	Condenser Section	Discharge Pressure Transducer	025-36113-002
78, 79	3	Condenser Section	Low Pressure Safety Cut-Out Switch	025-36352-002
78, 79	4	Condenser Section	High Pressure Safety Cut-Out Switch	025-28985-002
80	1	Extended Cabinet	Dirty Filter Switch	025-36116-000
80	2	Extended Cabinet	Magnehelic Gauge	025-30449-001
81	1	Heat Section	Hot Water and Steam Heat Freezestat	025-35787-002
82	1	Supply Air Section	Air Proving Switch	025-36115-001
82	2	Supply Air Section	Supply Air Temperature Sensor (Cooling Only)	025-35782-001
82	3	Supply Air Section	Supply Air Temperature Sensor (Cooling with Heat)	025-35797-001
83, 84, 85	1	Evaporator Section	Evaporator Temperature Sensor (R22)	025-36119-001
83, 84, 85	1	Evaporator Section	Evaporator Temperature Sensor (R407C)	025-36119-002
25	7	Evaporator Section	Flexsys Evaporator Temperature Sensor	025-35797-001
86	1	Filter Section	Dirty Filter Switch	025-36116-001
86	2	Filter Section	Negative Pressure Switch	025-36115-002
87	1	Economizer Section	Air Measuring Station Transducer (0.0 to 0.25 inches WC)	025-35775-010
87	2	Economizer Section	Building Pressure Transducer (-0.5 to +0.5 inches WC)	025-35775-007
87	3	Economizer Section	Duct Pressure Transducer (0.0 to 5.0 inches WC)	025-35775-004
87	4	Economizer Section	Outside Air Temperature Sensor (Internal)	025-35784-001
87	5	Economizer Section	Outside Air Temperature and Humidity Sensor	025-35779-003
87	6	Economizer Section	Return Air Temperature Sensor	025-35784-001
87	7	Economizer Section	Return Air Temperature and Humidity Sensor	025-35779-003
87	8	Economizer Section	Return Fan Pressure Transducer (-1.0 to +1.0 inches WC)	025-36365-008
88	1	Economizer Section	Outside Air Temperature Sensor (External)	025-35784-001
*		Inside Building	Carbon Dioxide Sensor	025-35789-002
*		Inside Building	4 Stage Thermostat	025-36259-000
*		Inside Building	Zone Sensor with Scaled Adjustment	025-35777-001
*		Inside Building	Zone Sensor without Adjustment	025-35777-002
*		Inside Building	Zone Sensor with Adjustment	025-35777-003

*Item not shown.

TABLE 79 - RETURN FAN MOTOR OVERLOAD RELAYS

FIGURE	ITEM	UNIT SIZE	MOTOR HP	VOLTAGE	HERTZ	ADJUSTMENT RANGE (AMPS)	PART NUMBER	
87	9	50-105	5	200	60	12-18	325-36366-004	
87	9			230	60	12-18	325-36366-004	
87	9			460	60	5.5-8	325-36366-001	
87	9			575	60	5.5-8	325-36366-001	
87	9			400	50	7-10	325-36366-002	
87	9			380	60	7-10	325-36366-002	
87	9		7.5	7.5	200	60	16-24	325-36366-005
87	9				230	60	16-24	325-36366-005
87	9				460	60	9-13	325-36366-003
87	9				575	60	7-10	325-36366-002
87	9				400	50	9-13	325-36366-003
87	9				380	60	12-18	325-36366-004
87	9		10	10	200	60	23-32	325-36366-006
87	9				230	60	23-32	325-36366-006
87	9				460	60	12-18	325-36366-004
87	9				575	60	9-13	325-36366-003
87	9				400	50	12-18	325-36366-004
87	9				380	60	12-18	325-36366-004
87	9		15	15	200	60	37-50	325-36366-008
87	9				230	60	37-50	325-36366-008
87	9				460	60	16-24	325-36366-005
87	9				575	60	12-18	325-36366-004
87	9				400	50	23-32	325-36366-006
87	9				380	60	23-32	325-36366-006
87	9	90-105	20	200	60	48-65	325-36366-009	
87	9			230	60	48-65	325-36366-009	
87	9			460	60	23-32	325-36366-006	
87	9			575	60	16-24	325-36366-005	
87	9			400	50	30-38	325-36366-007	
87	9			380	60	30-38	325-36366-007	

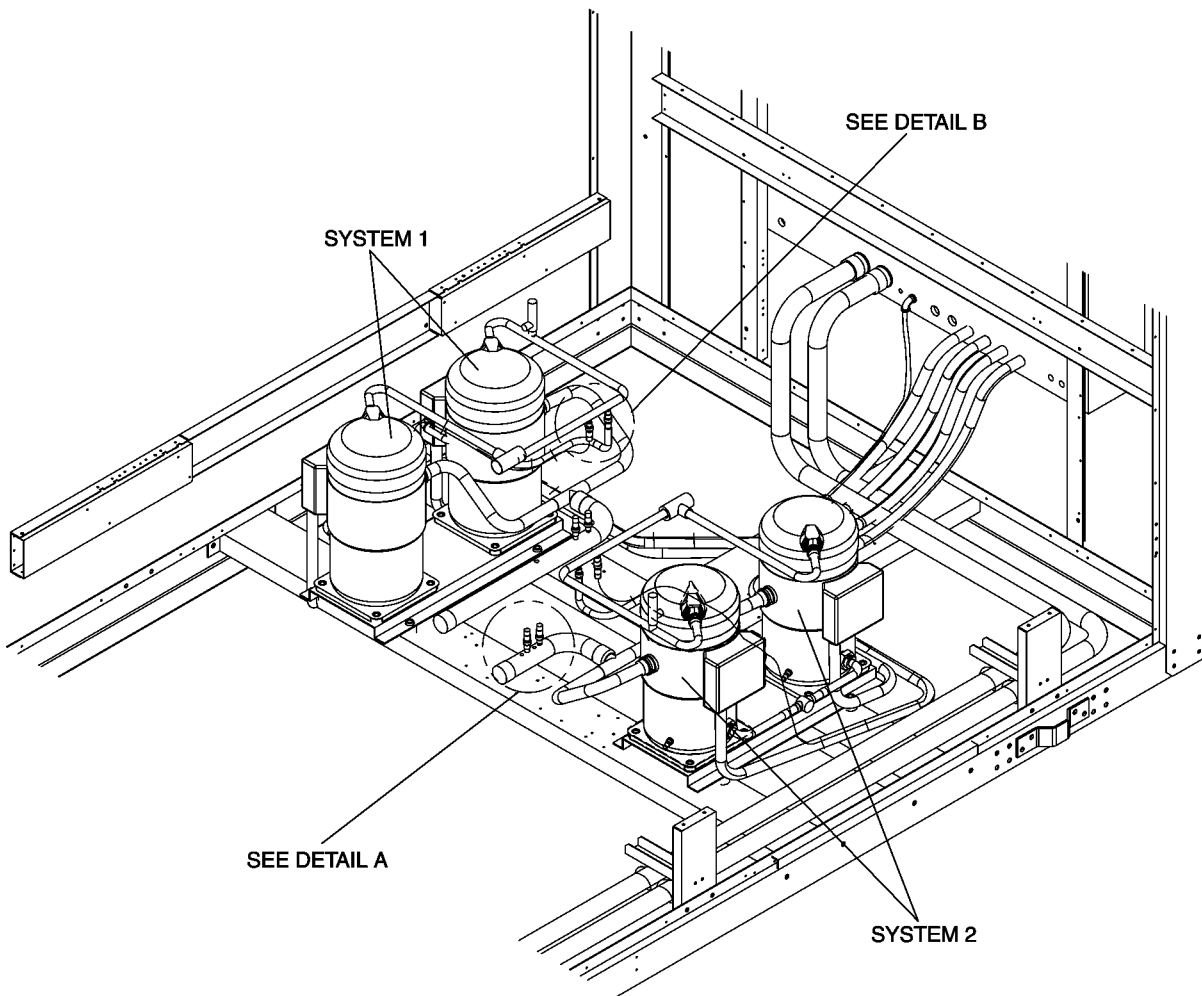
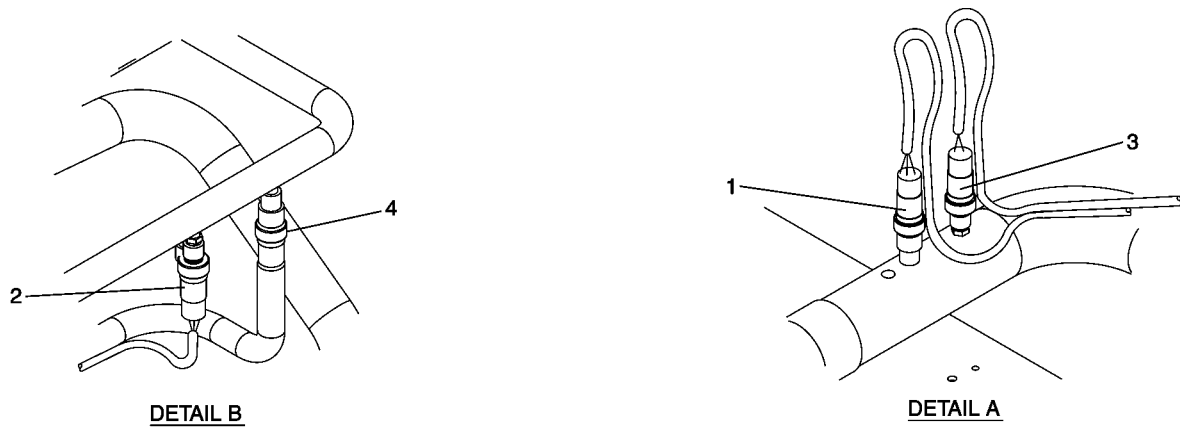


FIGURE 78 - SUCTION AND DISCHARGE PRESSURE TRANSDUCERS AND SAFETY SWITCHES (50-65 TONS)

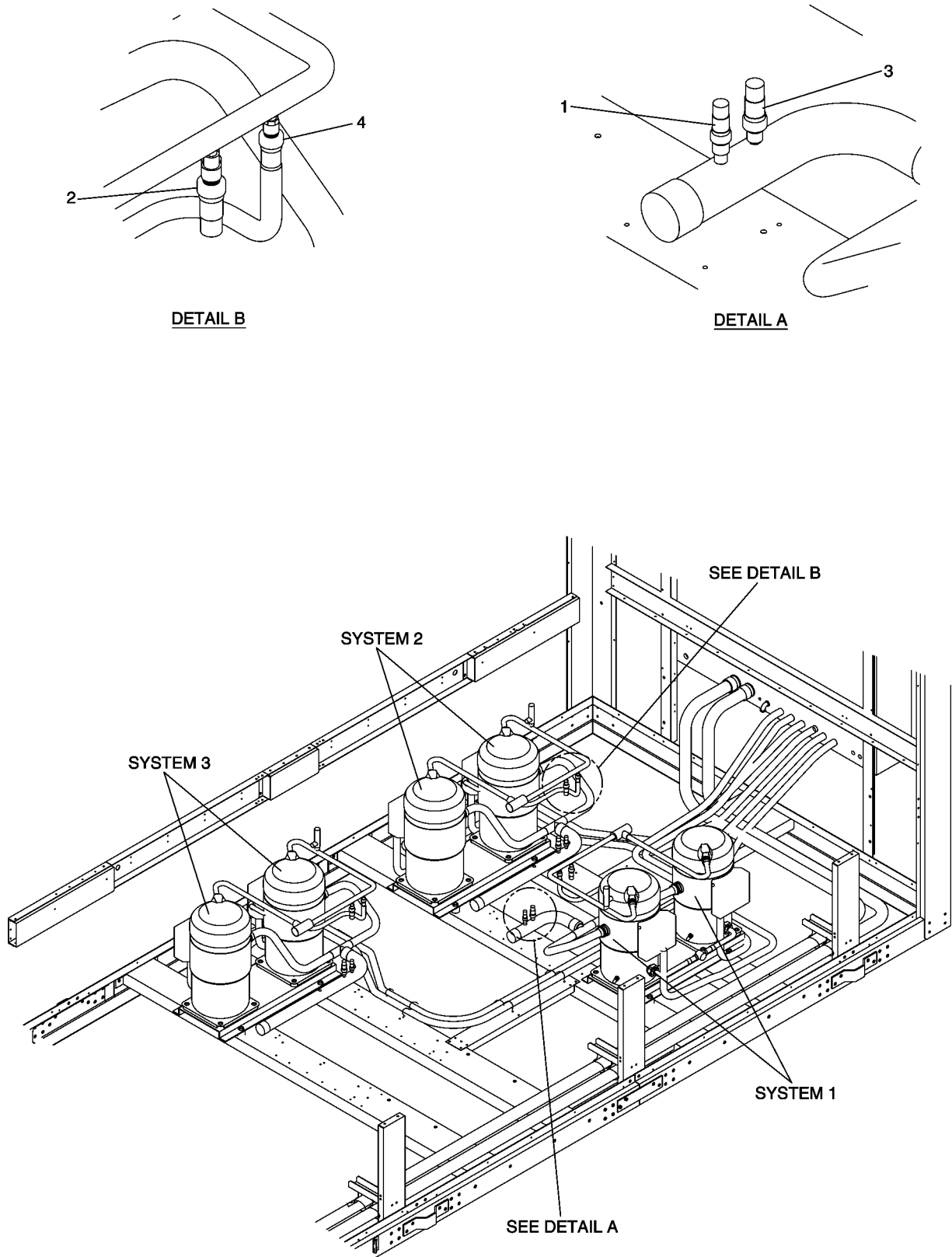


FIGURE 79 - SUCTION AND DISCHARGE PRESSURE TRANSDUCERS AND SAFETY SWITCHES (70-105 TONS)

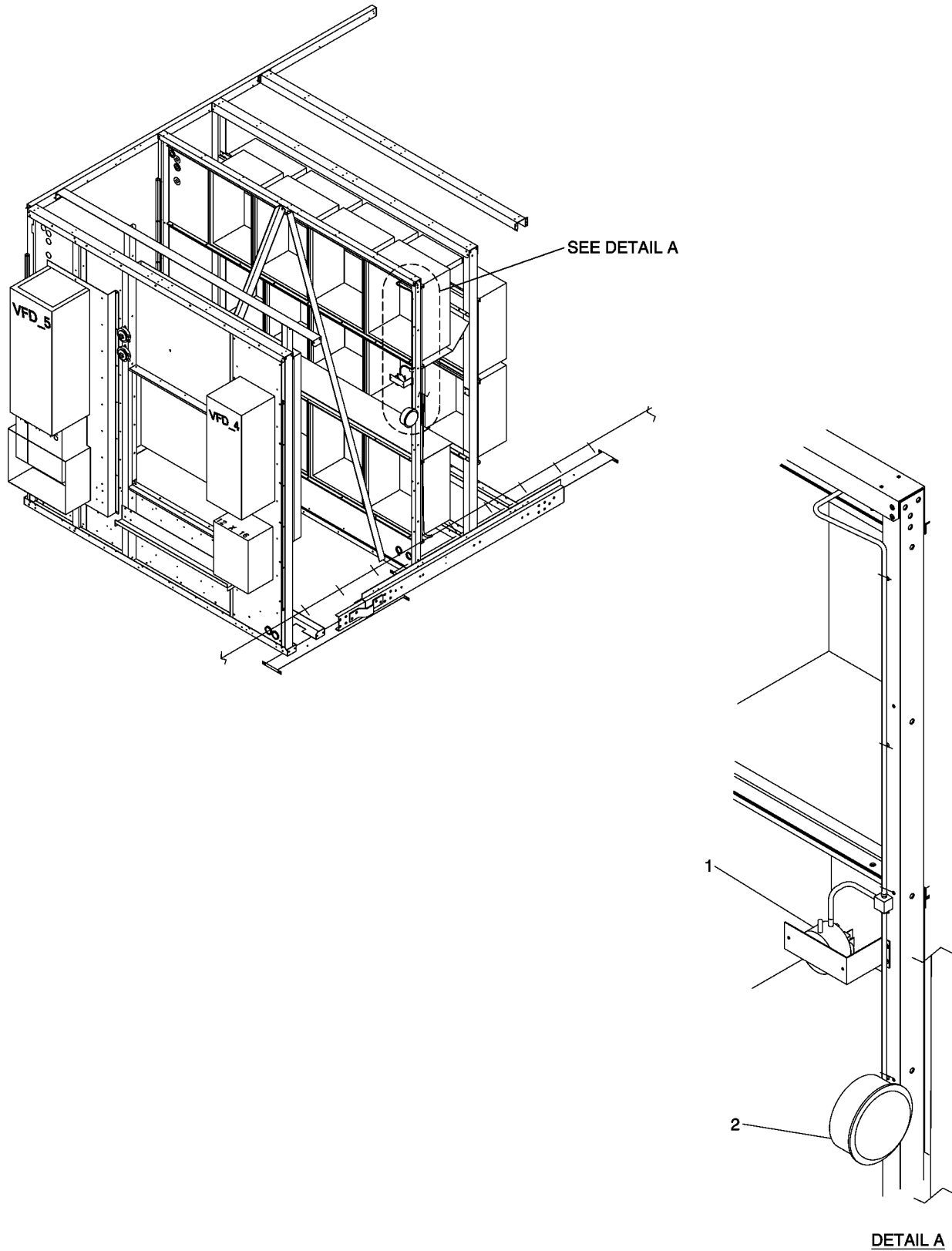
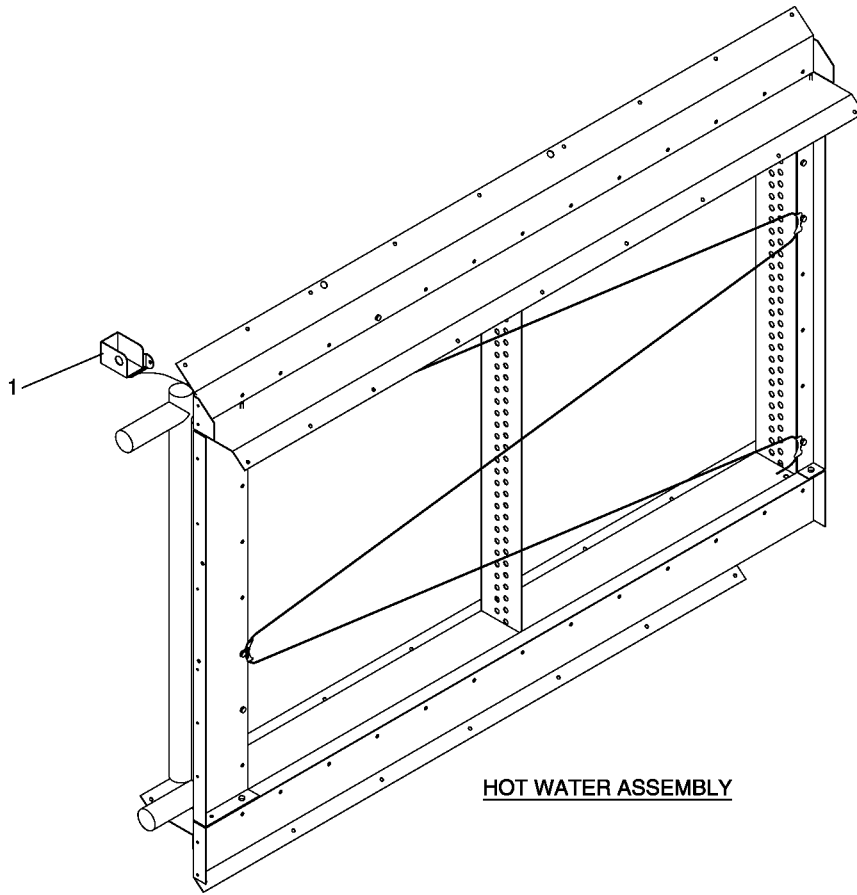
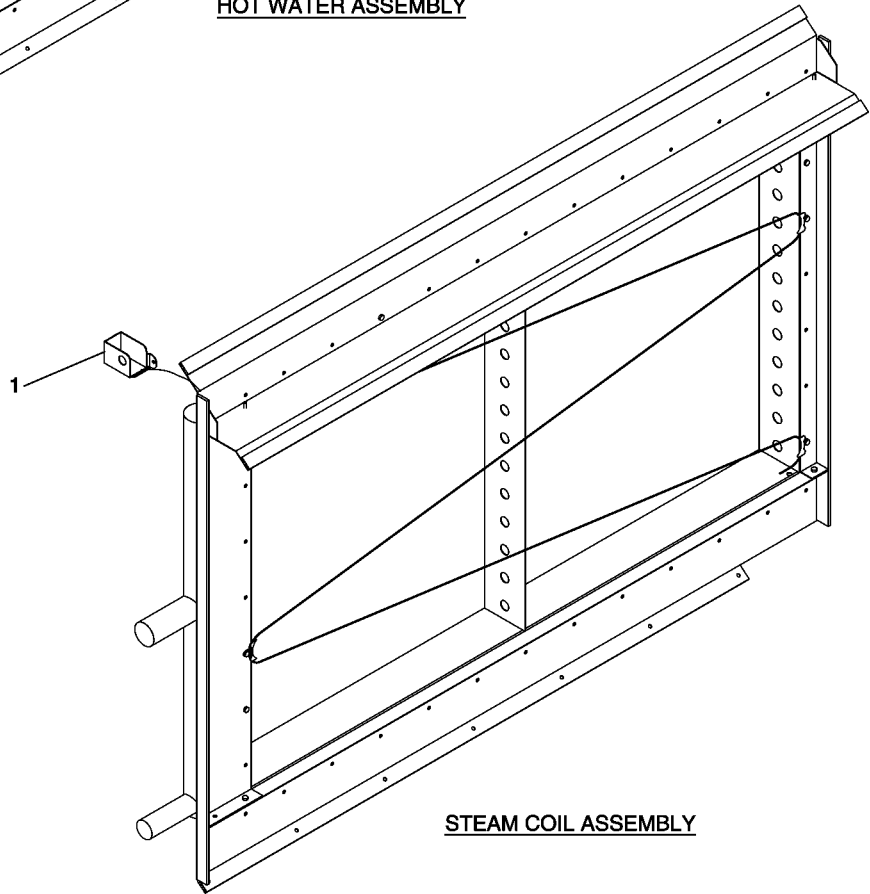


FIGURE 80 - DIRTY FILTER SWITCH AND MAGNEHELIC GAUGE (EXTENDED CABINET)

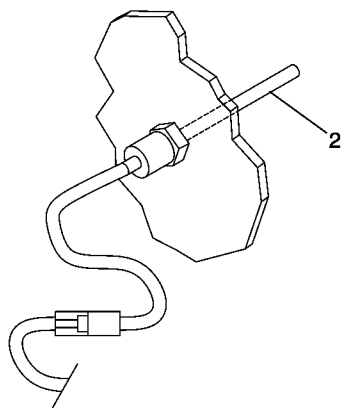


HOT WATER ASSEMBLY

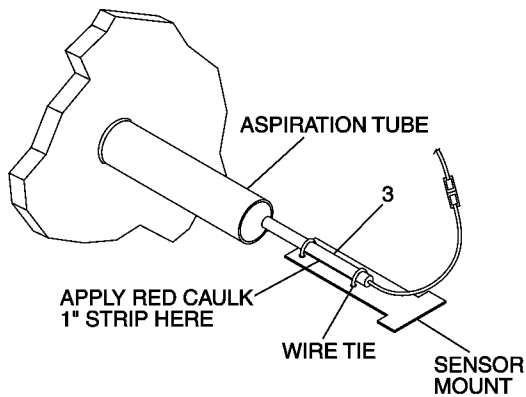


STEAM COIL ASSEMBLY

FIGURE 81 - HOT WATER AND STEAM HEAT FREEZESTAT



DETAIL A
SUPPLY AIR TEMPERATURE SENSOR
(COOLING ONLY)



DETAIL B
SUPPLY AIR TEMPERATURE SENSOR
(COOLING WITH HEAT)

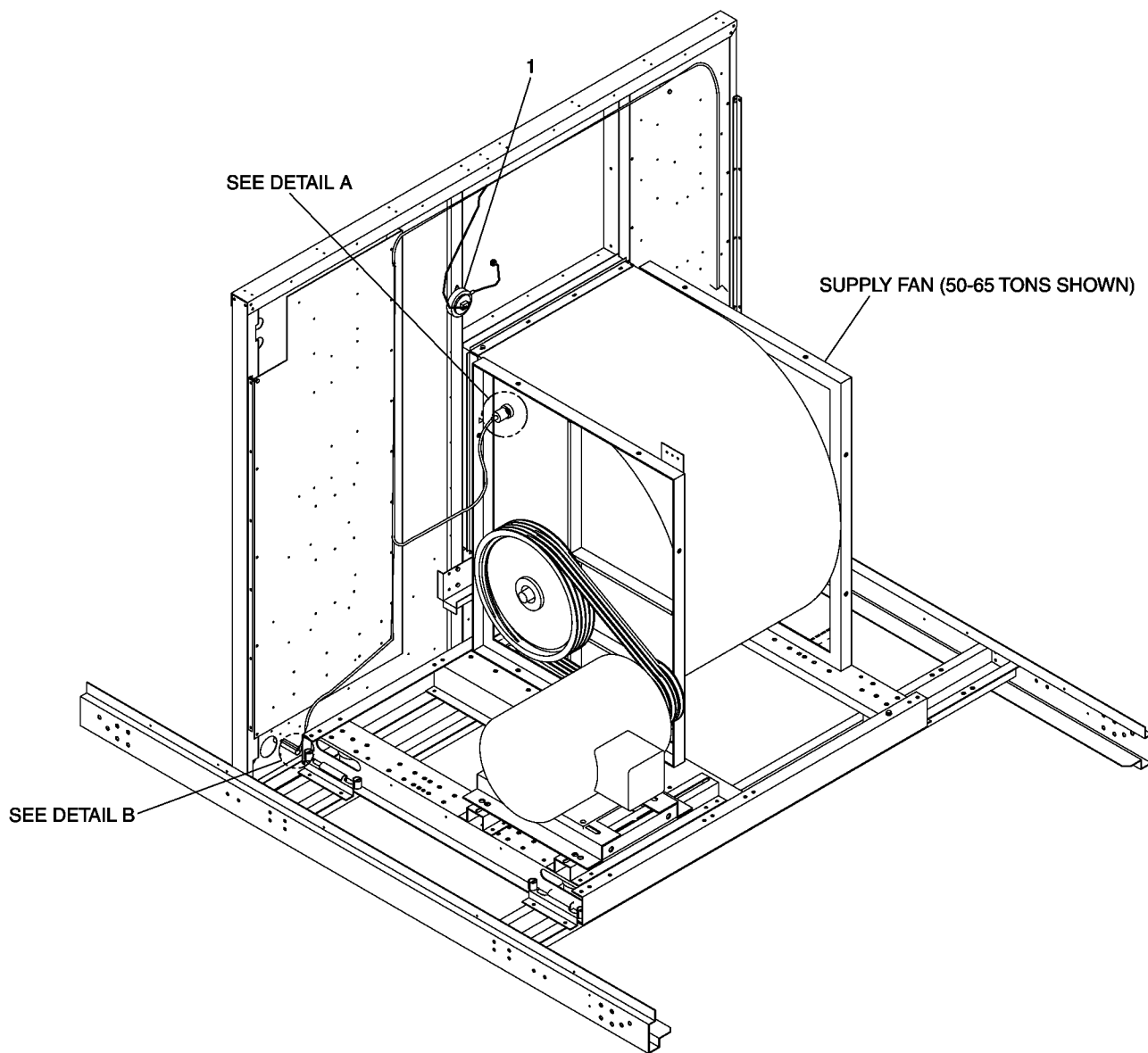


FIGURE 82 - AIR PROVING SWITCH AND SUPPLY AIR TEMPERATURE SENSOR

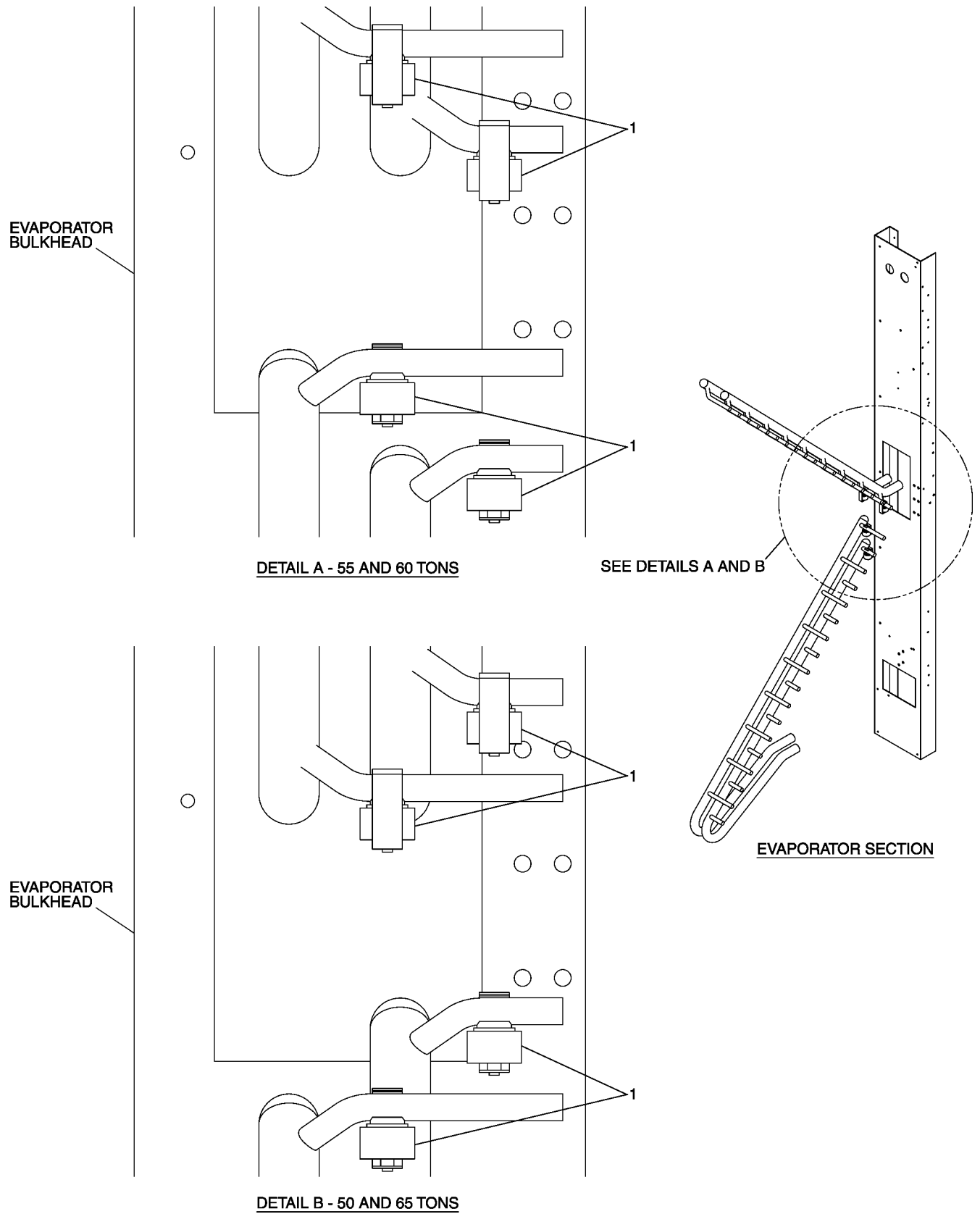


FIGURE 83 - EVAPORATOR TEMPERATURE SENSOR (50-65 TONS)

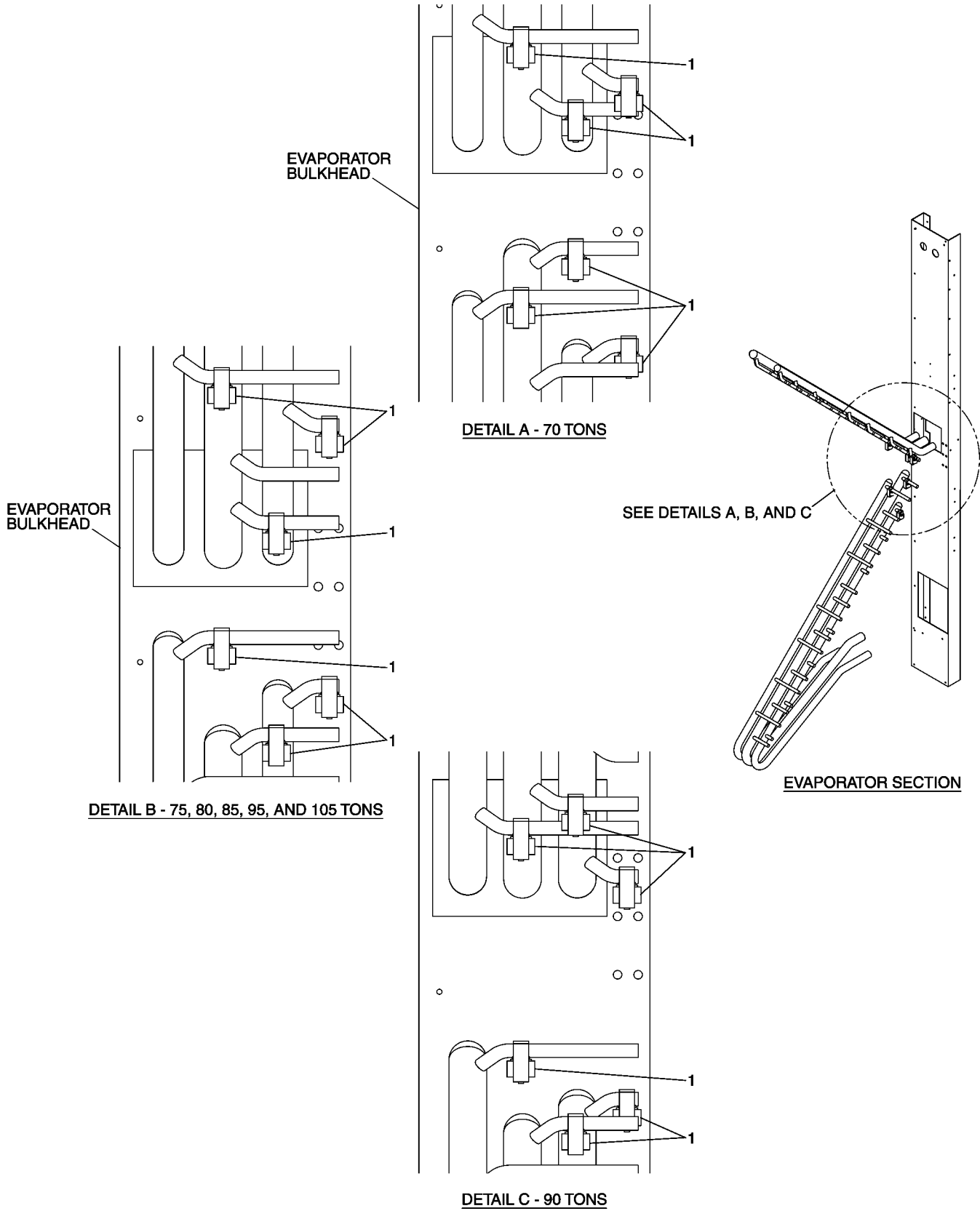


FIGURE 84 - EVAPORATOR TEMPERATURE SENSOR, NONFLEXSYS (70-105 TONS)

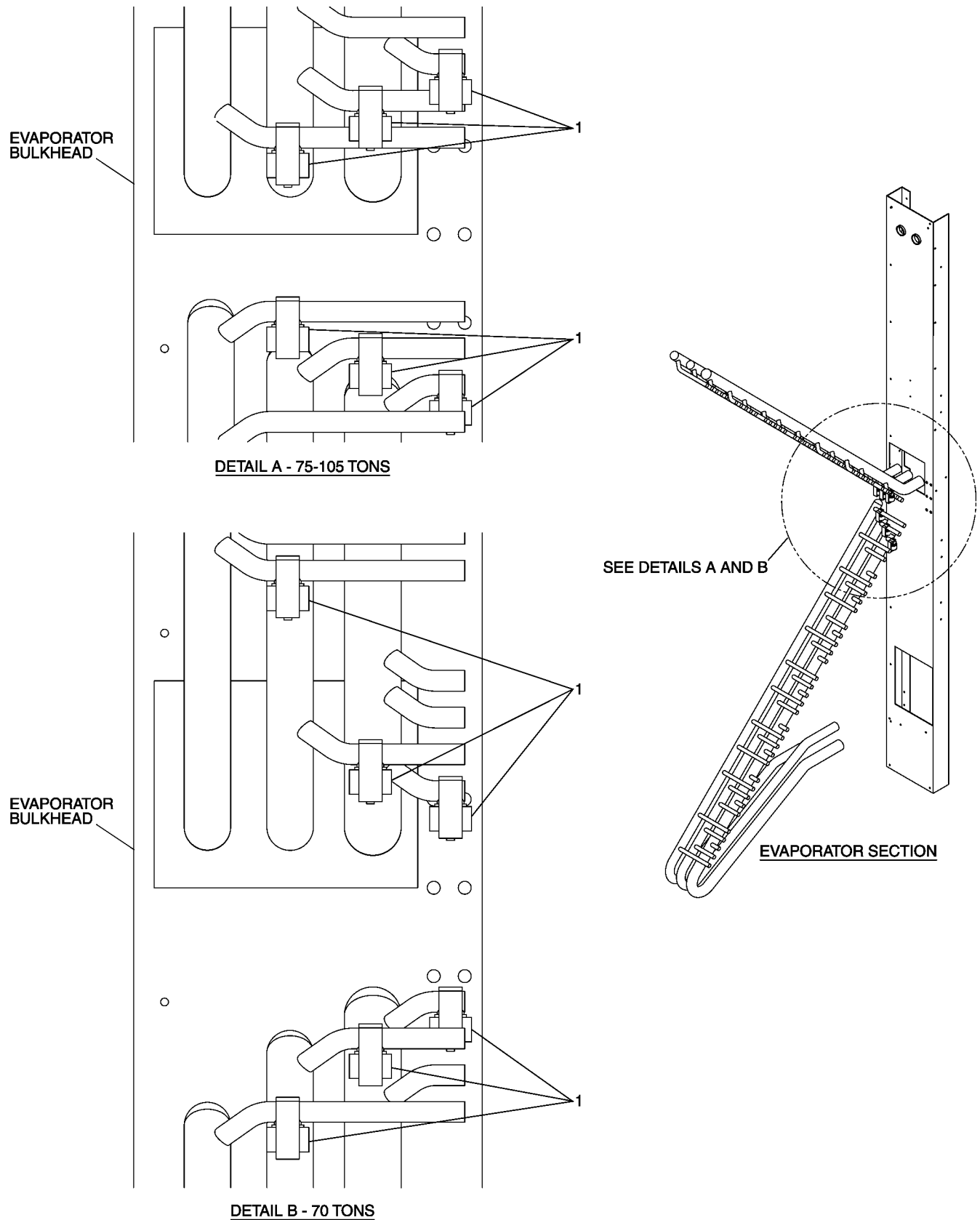


FIGURE 85 - EVAPORATOR TEMPERATURE SENSOR, FLEXSYS (70-105 TONS)

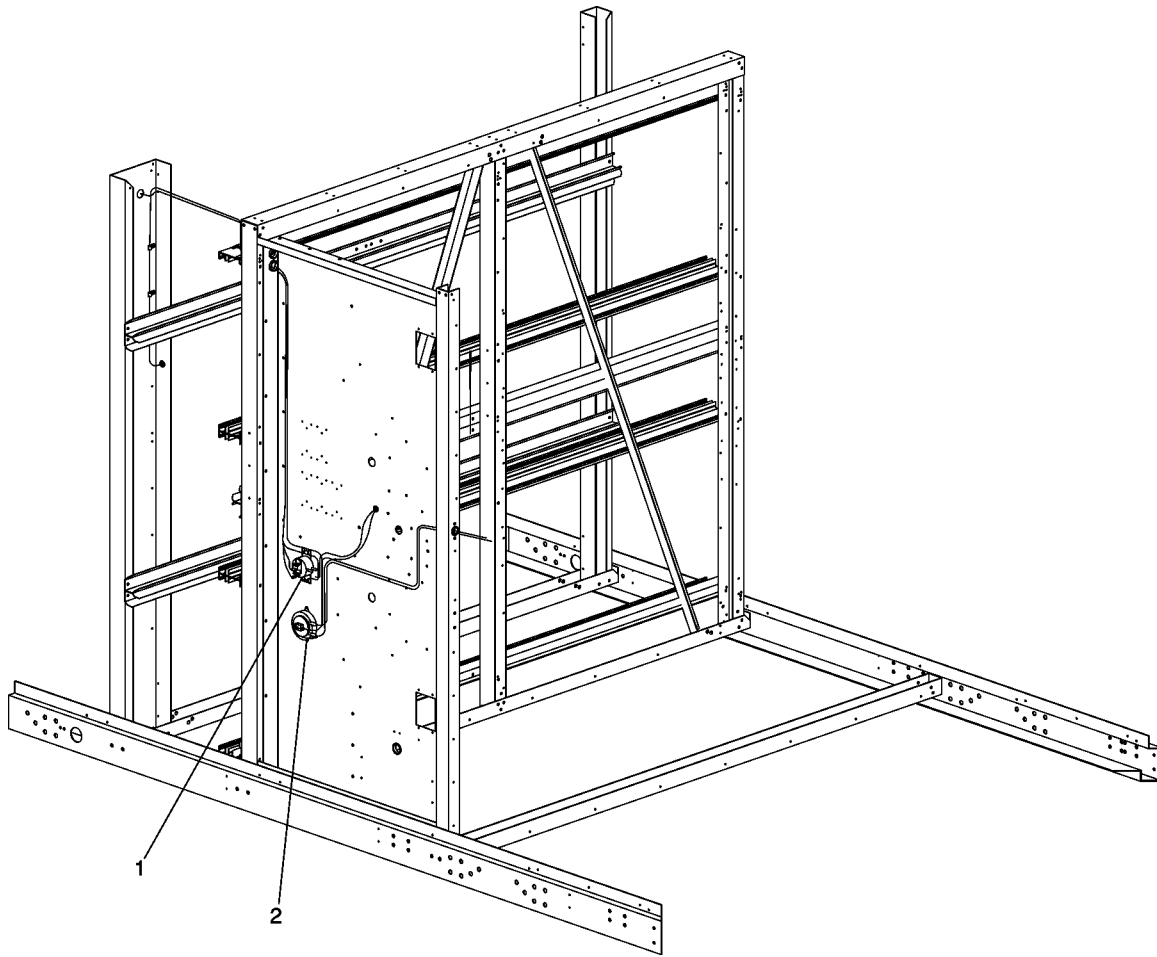


FIGURE 86 - DIRTY FILTER AND NEGATIVE PRESSURE SWITCHES

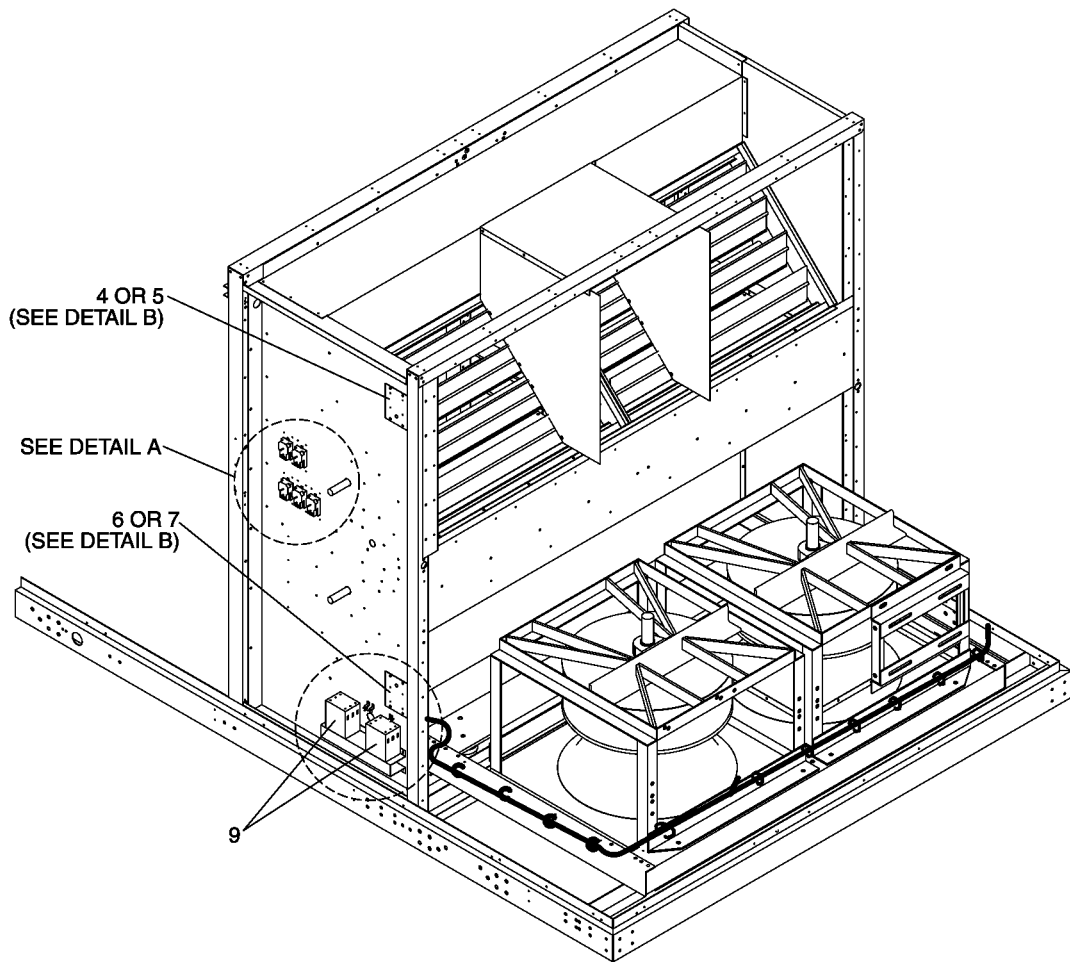
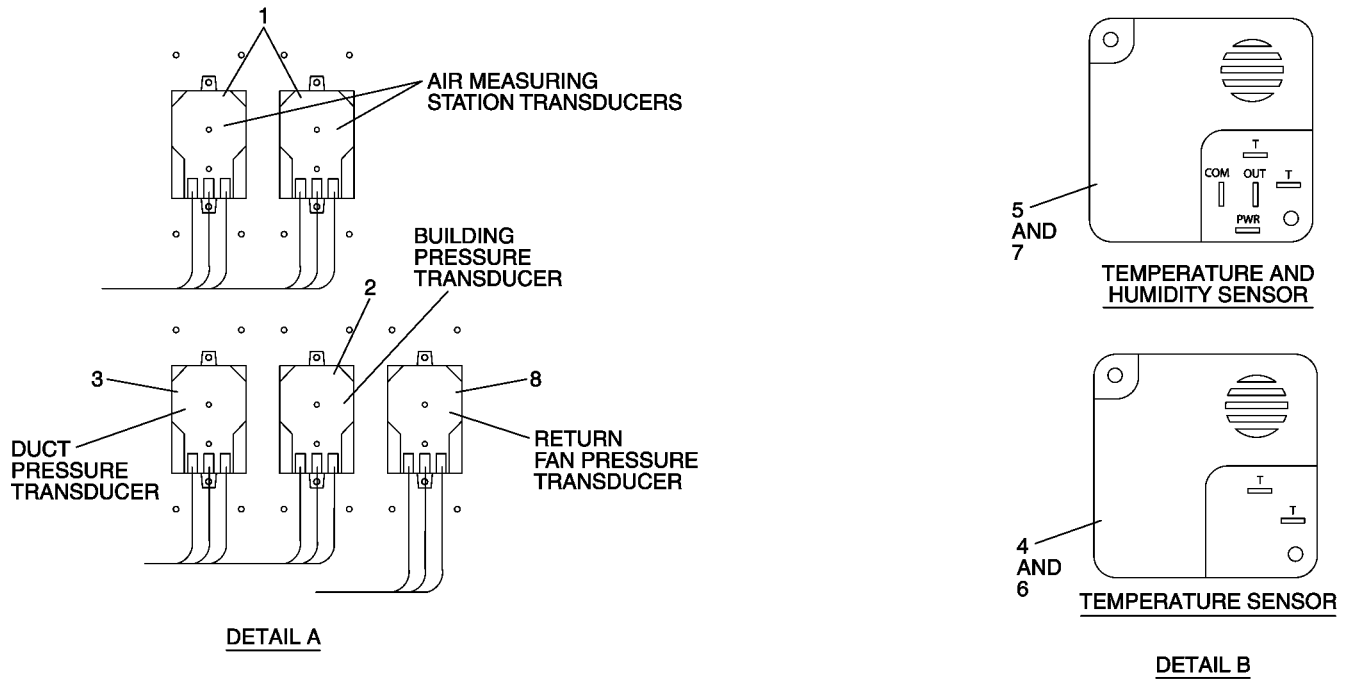


FIGURE 87 - ECONOMIZER SECTION TRANSDUCERS AND SENSORS

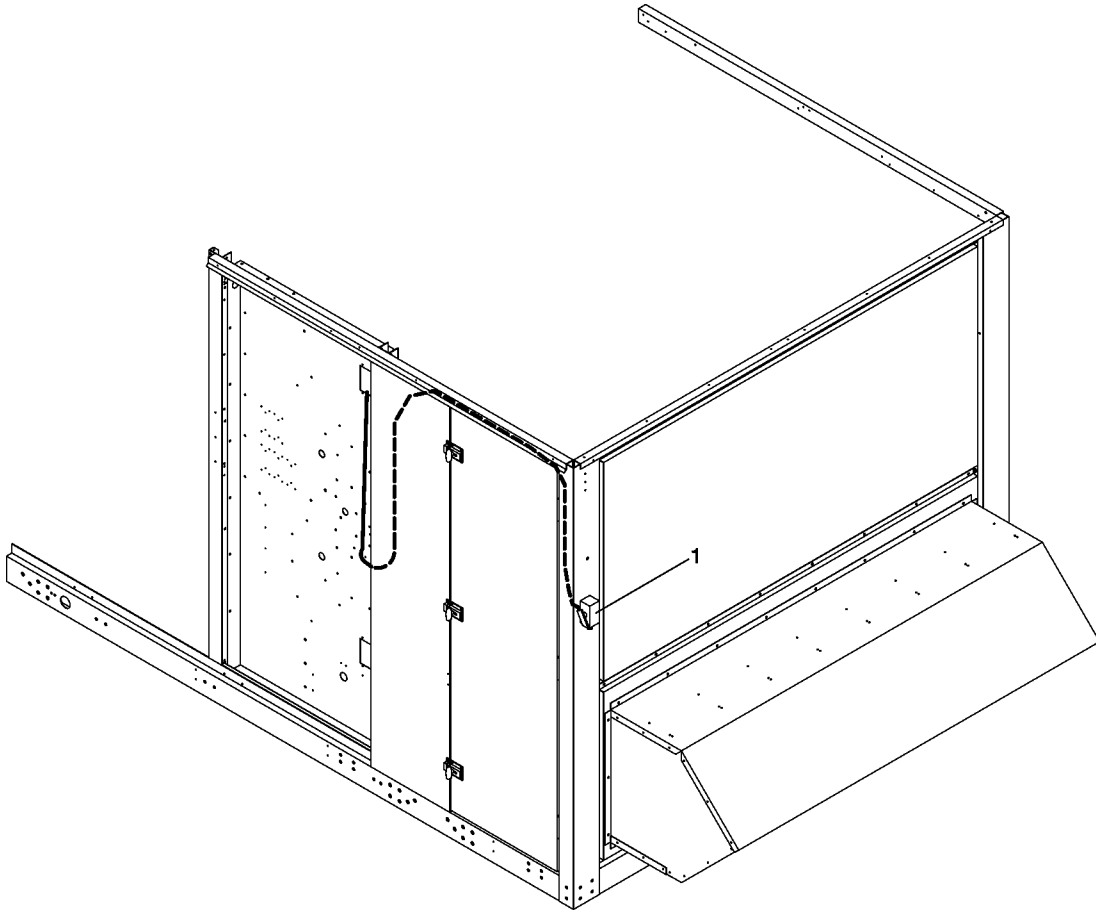


FIGURE 88 - OUTSIDE AIR TEMPERATURE SENSOR (EXTERNAL)



P.O. Box 1592, York, Pennsylvania USA 17405-1592
Copyright © by York International Corporation 2004
FORM 100.50-RP3 (1004)
New Release

Tele. 800-861-1001
www.york.com

Subject to change without notice. Printed in USA
ALL RIGHTS RESERVED