



BY JOHNSON CONTROLS

# ECO<sup>2</sup> ROOFTOP UNITS 25, 30, 40, 120, AND 130 TON MODELS STATIC PRESSURE PROBE

INSTALLATION INSTRUCTIONS

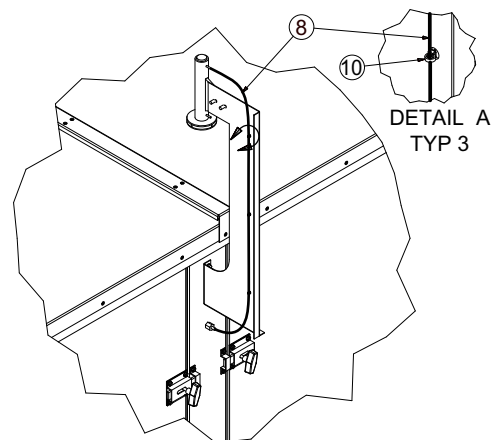
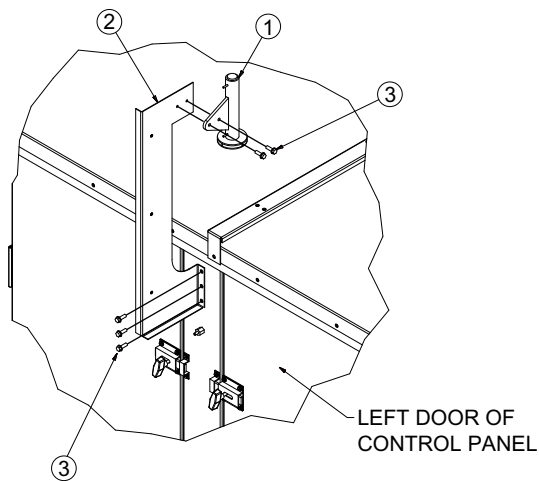
Supersedes: 100.50-N15 (705)

Form 100.50-N15 (310)

KIT CONTENTS		
ITEM	DESCRIPTION	YORK P/N
1	PRESSURE PROBE, OUTDOOR STATIC	025-36186-000
2	SUPPORT, STATIC PRESSURE PROBE	085-20082-010
3	SCREW, 1/4 x 3/4 LG AB	021-31337-000
8	TUBING, LDPE 5/32 x .106	028-15365-000
10	CABLE STRAP, PUSH-IN	025-23764-001

## INSTALLATION

1. Attach probe (1) to support (2) using supplied screws. (3)
2. Attach support (2) to unit using supplied screws. (3)
3. Route tubing (8) as shown below.
4. Use wire ties (10) to secure tubing to bracket. (See Detail A)



LD11071