



York® Equipment SERVICE INFORMATION

Date: 2/17/14
To: JCI Field Organization

Rev. B

Subject : Downloading from a York STC Chiller to a Laptop Computer

NOTE: The following instructions assume that the user has already established the ability to communicate from their Windows based PC/laptop via RS 232 to a remote device. This will involve the proper setup and installation of a USB to RS232 converter such as an FTDI USB-RS232-WE-1800-BT_0.0. or Edgeport writing to Hyperterminal or another applicable VT100 emulator.

If the user has questions on how to install/set this up they should contact their local service department. If they are unable to resolve they should contact their regional technical support manager in an attempt to install these devices/programs. The STC technical support group is not equipped to troubleshoot individual PC issues.

EQUIPMENT/SOFTWARE:

1 HyperTerminal – HyperTerminal trial software can be downloaded for free from <http://www.hilgraeve.com/hyperterminal-trial/>

2 Data cable (only need to choose one type)

2.1 USB/Serial cable – may be purchased from <http://www.ftdichip.com/Products/Cables/USBR232.htm>

Please purchase part number USB-RS232-WE-1800-BT_0.0 [will need to download VCP (Virtual Com Port) drivers from website <http://www.ftdichip.com/Drivers/VCP.htm> for appropriate OS]

or

2.2 Serial cable – may purchase part number **092-22669-000** from York Parts Center (Will need to purchase a USB-to-RS232 adapter from local/web)

1: 031-02478-xxx Microboard (YCAV, YCIV, YVAA, YVWA)

Step 1: Set JP1 on Microboard to RS 232

Step 2 : Connect your laptop to the Chiller Microboard as shown below. You may need to fashion or purchase (York PN 092-22669-000) a RS232 DB9 cable to make this connection.

031-02478-xxx Microboard			Laptop (DB9 RS232 serial Port)	
Connector	Terminal		Pin #	Description
TB1	2 (DSR)	Connects to	4,8	DTR, CTS
TB1	3 (TX)	Connects to	2	RX
TB1	5 GND	Connects to	5	GND

STEP 3: Set up your HyperTerminal or TeraTerm for VT100 Emulation (or ANSI) , 1200 baud, 8 bits, NO parity , flow control NONE.

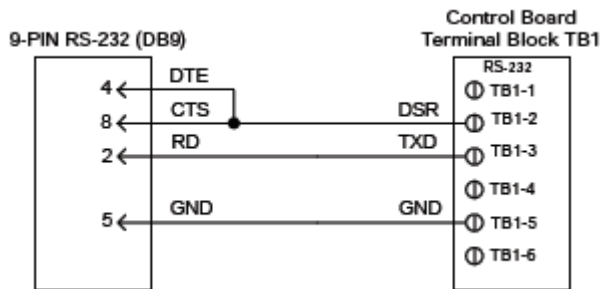
STEP 4: Set HyperTerminal or TeraTerm to capture a file.

STEP 5: Press the PRINT button on the Display

STEP 6: Save and name the file appropriately (it is recommended to make name meaningful such as “Aspen CHL 2 5_25_07.txt “. Remember you may be asked to submit multiple files for the same and/or different chillers.

If you are still experiencing problems try

- 1 Disabling Data Logging at Service Level Password 1234
- 2: Unplugging the E-Link comms connection.
- 3: Make sure there is no jumper on terminals 2 and 14 (print request)
- 4: If using an Edgeport USB serial converter try locking down the converter to 1200 baud, 8 N 1 with no flow control



2: 031-01095-xxx Microboard

DRAFT

STEP 1: Set JP58 on Microboard to RS 232

STEP 2 :Connect your laptop to the Chiller Microboard as shown in below. You may need to fashion or purchase (York PN 092-22669-000) a RS232 DB9 cable to make this connection.

031-01095-xxx Microboard		Laptop (DB9 RS232 serial Port)		
Connector	Terminal		Pin #	Description
TB8	2 (DSR)	Connects to	4,8	DTR, CTS
TB8	3 (TX)	Connects to	2	RX
TB8	5 GND	Connects to	5	GND

STEP 3: Set up your HyperTerminal or TeraTerm for 1200 baud 8 bits NO parity , flow control NONE, Emulation VT100 (or ANSI) .

STEP 4: Set HyperTerminal or TeraTerm to capture a file.

STEP 5: Press the PRINT button on the Display

STEP 6: Save and name the file appropriately (it is recommended to make name meaningful such as “Aspen CHL 2 5_25_07.txt “. Remember you may be asked to submit multiple files for the same and/or different chillers.

3: 031-02550-xxx IPU II Microboard (YCAL, YCUL, YCWL, YLAA)

STEP 1: Set Port 2 Protocol to API (PROGRAM Key DOWN ARROW 4 times)

STEP 2 : Connect your laptop to the Chiller Microboard as shown in below. You may need to fashion or purchase (York PN 092-22669-000) a RS232 DB9 cable to make this connection. See the NOTES section of this document for assistance on making that cable.

031-02550-xxx Microboard			Laptop (DB9 RS232 serial Port)	
Connector	Terminal		Pin #	Description
TB3	2 (CTS)	Connects to	4,8	DTR, CTS
TB3	3 (TX)	Connects to	2	RX
TB3	5 GND	Connects to	5	GND

STEP 2: Set up your HyperTerminal or TeraTerm for 1200 baud 8 bits NO parity , flow control NONE, Emulation VT100 (or ANSI).

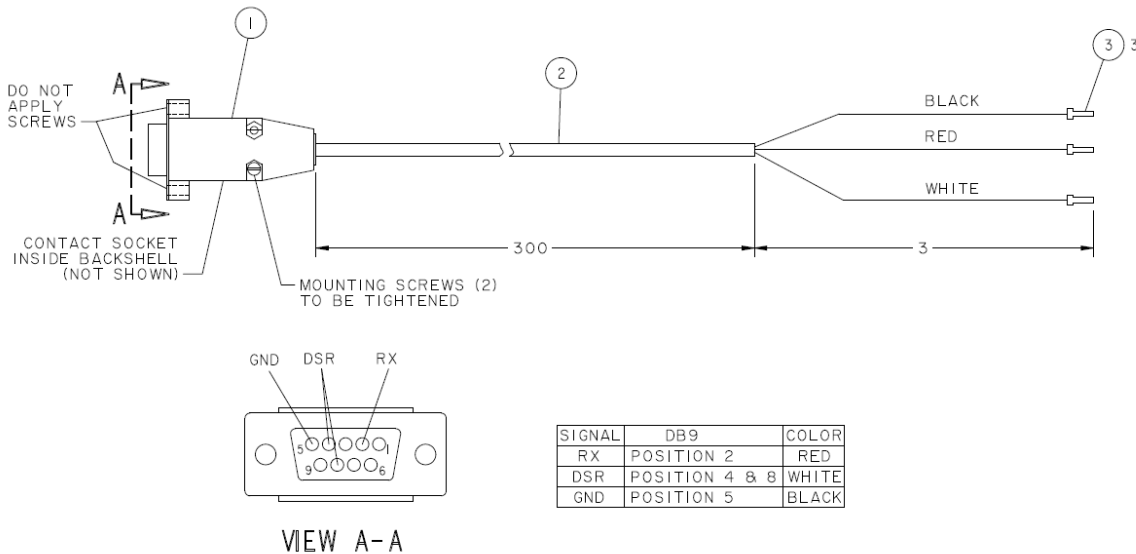
STEP 3: Set HyperTerminal or TeraTerm to capture a file.

STEP 4: Press the PRINT button on the Display

STEP 5: Save and name the file appropriately (it is recommended to make name meaningful such as “Aspen CHL 2 5_25_07.txt “ . Remember you may be asked to submit multiple files for the same and/or different chillers.

Recommended Hardware

YORK PN 092-22669-000 **Print Cable, Serial** REF: M-1051



USB/Serial cable

This information is subject to change at any time



FTDI USB-RS232-WE-1800-BT_0.0

May be purchased from <http://www.ftdichip.com/Products/Cables/USBRS232.htm> Order part number USB-RS232-WE-1800-BT_0.0. Additionally, you will need to download the VCP (Virtual Com Port) drivers from the website <http://www.ftdichip.com/Drivers/VCP.htm>.

USB to RS-232 FTDI Chip Cable (USB-RS232-WE-1800-BT_0.0)					
02478 I/O Board			02550 I/O Board		
Connector	Pin	Wire Color	Connector	Pin	Wire Color
TB1	TXD	Yellow	TB3	TXD	Yellow
TB1	GND	Black	TB3	GND	Black
TB1	DSR	Brown & Green	TB3	CTS	Brown & Green

Additional HyperTERMINAL Notes

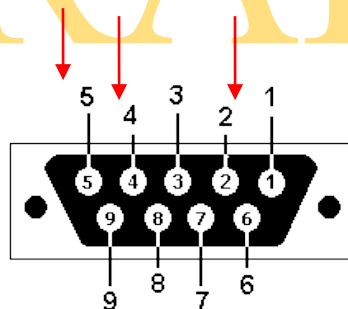
- Open HyperTerminal on the PC.
- Name the connection what you would like.
- Select the desired COM port that is connected to the cable.
- Click the Configure button and verify the settings .
- Click OK on both screens.
- Click File, then Properties.
- Click on the Settings tab.
- On the dropdown for Emulation select ANSI.
- Click the ASCII Setup button.
- Check the box under ASCII Receiving that states "Append line feeds to incoming line ends". All other setting should be default.
- Click OK on both screens.
- Click Transfer, then Capture Text. This will save any data captured from the HyperTerminal program to a TXT file.
- Select the appropriate folder area to save the TXT file and name the file a unique identifier.
- Every capture run should be saved with a unique name. Once complete, click the Start button.

This information is subject to change at any time

RS232 Cabling NOTES:

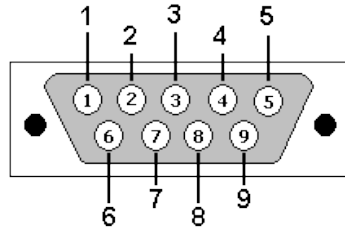
Pin No.	Name	Dir	Notes/Description
1	DCD	IN	Data Carrier Detect. Raised by DCE when modem synchronized.
2	RD	IN	Receive Data (a.k.a RxD, Rx). Arriving data from DCE.
3	TD	OUT	Transmit Data (a.k.a TxD, Tx). Sending data from DTE.
4	DTR	OUT	Data Terminal Ready. Raised by DTE when powered on. In auto-answer mode raised only when RI arrives from DCE.
5	SGND	-	Ground
6	DSR	IN	Data Set Ready. Raised by DCE to indicate ready.
7	RTS	OUT	Request To Send. Raised by DTE when it wishes to send. Expects CTS from DCE.
8	CTS	IN	Clear To Send. Raised by DCE in response to RTS from DTE.
9	RI	IN	Ring Indicator. Set when incoming ring detected - used for auto-answer application. DTE raised DTR to answer.

DRAFT

**DB9: View looking in to FEMALE.**

Most likely the connector on your cable . You will need to strip bare the wires on one end of this cable so that you can connect to the J2 wiring strip on the Optiview Microboard..

This information is subject to change at any time



DB9 (EIA/TIA 574): View - looking into **MALE connector.**

This is most likely your Laptop's DB9 port connector

DRAFT