 YORK [®] BY JOHNSON CONTROLS	CENTRIFUGAL LIQUID CHILLER	
REPLACEMENT PARTS	Supercedes: 160.84-RP1 (1113)	Form 160.84-RP1 (214)

YMC² MOD B
MAGNETIC BEARING CENTRIFUGAL LIQUID CHILLERS



LD17500

R-134A
215-560 TONS
756-1969 KW



GB
 COMPLIANT



Issue Date:
 February 26, 2014



IMPORTANT!

READ BEFORE PROCEEDING!

GENERAL SAFETY GUIDELINES

This equipment is a relatively complicated apparatus. During installation, operation maintenance or service, individuals may be exposed to certain components or conditions including, but not limited to: refrigerants, materials under pressure, rotating components, and both high and low voltage. Each of these items has the potential, if misused or handled improperly, to cause bodily injury or death. It is the obligation and responsibility of operating/service personnel to identify and recognize these inherent hazards, protect themselves, and proceed safely in completing their tasks. Failure to comply with any of these requirements could result in serious damage to the equipment and the property in

which it is situated, as well as severe personal injury or death to themselves and people at the site.

This document is intended for use by owner-authorized operating/service personnel. It is expected that these individuals possess independent training that will enable them to perform their assigned tasks properly and safely. It is essential that, prior to performing any task on this equipment, this individual shall have read and understood this document and any referenced materials. This individual shall also be familiar with and comply with all applicable governmental standards and regulations pertaining to the task in question.

SAFETY SYMBOLS

The following symbols are used in this document to alert the reader to specific situations:



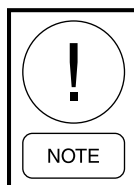
Indicates a possible hazardous situation which will result in death or serious injury if proper care is not taken.



Identifies a hazard which could lead to damage to the machine, damage to other equipment and/or environmental pollution if proper care is not taken or instructions are not followed.



Indicates a potentially hazardous situation which will result in possible injuries or damage to equipment if proper care is not taken.



Highlights additional information useful to the technician in completing the work being performed properly.



External wiring, unless specified as an optional connection in the manufacturer's product line, is not to be connected inside the control cabinet. Devices such as relays, switches, transducers and controls and any external wiring must not be installed inside the micro panel. All wiring must be in accordance with Johnson Controls' published specifications and must be performed only by a qualified electrician. Johnson Controls will NOT be responsible for damage/problems resulting from improper connections to the controls or application of improper control signals. Failure to follow this warning will void the manufacturer's warranty and cause serious damage to property or personal injury.

CHANGEABILITY OF THIS DOCUMENT

In complying with Johnson Controls' policy for continuous product improvement, the information contained in this document is subject to change without notice. Johnson Controls makes no commitment to update or provide current information automatically to the manual owner. Updated manuals, if applicable, can be obtained by contacting the nearest Johnson Controls Service office or accessing the Johnson Controls QuickLIT website at <http://cgproducts.johnsoncontrols.com>.

Operating/service personnel maintain responsibility for the applicability of these documents to the equipment.

If there is any question regarding the applicability of these documents, the technician should verify whether the equipment has been modified and if current literature is available from the owner of the equipment prior to performing any work on the chiller.

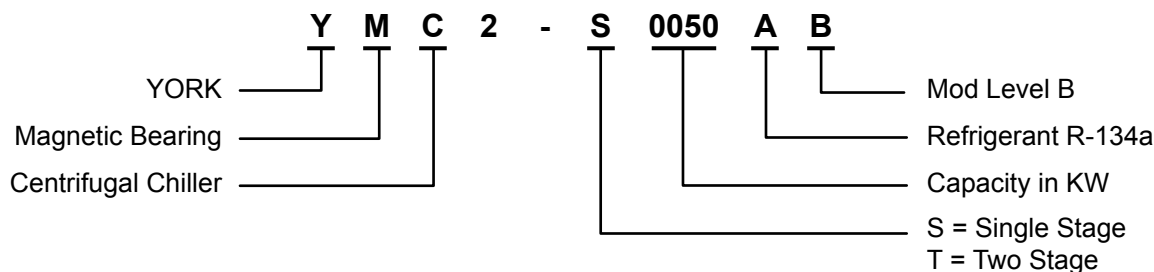
CHANGE BARS

Revisions made to this document are indicated with a line along the left or right hand column in the area the revision was made. These revisions are to technical information and any other changes in spelling, grammar or formatting are not included.

ASSOCIATED LITERATURE

Manual Description	Form Number
YMC ² Installation	160.84-N1
YMC ² Field Connections	160.84-PW1
YMC ² Unit Wiring and Field Control Modifications	160.84-PW2
YMC ² Unit Operations and Maintenance Manual	160.84-O1
YMC ² OptiView™ Control Center Operation Manual	160.84-O2
YMC ² Variable Speed Drive Renewal Parts	160.84-RP3

NOMENCLATURE



NOMENCLATURE

System Nomenclature Table											
Position:	1,2,3,4	-	5	6,7,8,9	10	11					
	YMC2										Chiller Model
			S								Single Stage Compressor
				###							Rated Capacity in kW
					A						Refrigerant HFC-134a
						B					Mod Level A or B

Compressor Nomenclature Table									
Position:	1,2	3	-	4,5,6	7	8	9		
	M2								Motor M1 or M2
		C							Motor Revision Level B or C
				###					Impeller
					F				Forward Rotation
						A			Impeller Design Revision Level
							C		Flow Path Revision Level

VSD Nomenclature Table														
Position:	1,2,3	4,5,6,7	8	9	10,11	12	-	13,14						
	HYP													VSD Type
		774												Amps 490 or 774
			X											Factory Mounted
				H										YMC ² Model
					15									Heat Exchanger DWP, 150 PSIG
					30									Heat Exchanger DWP, 300 PSIG
						D								Disconnect Switch
							B							Circuit Breaker
								40						380V, 60 Hz
								46						460V, 60 Hz
								50						400V, 50 Hz
								68						415V, 50 Hz

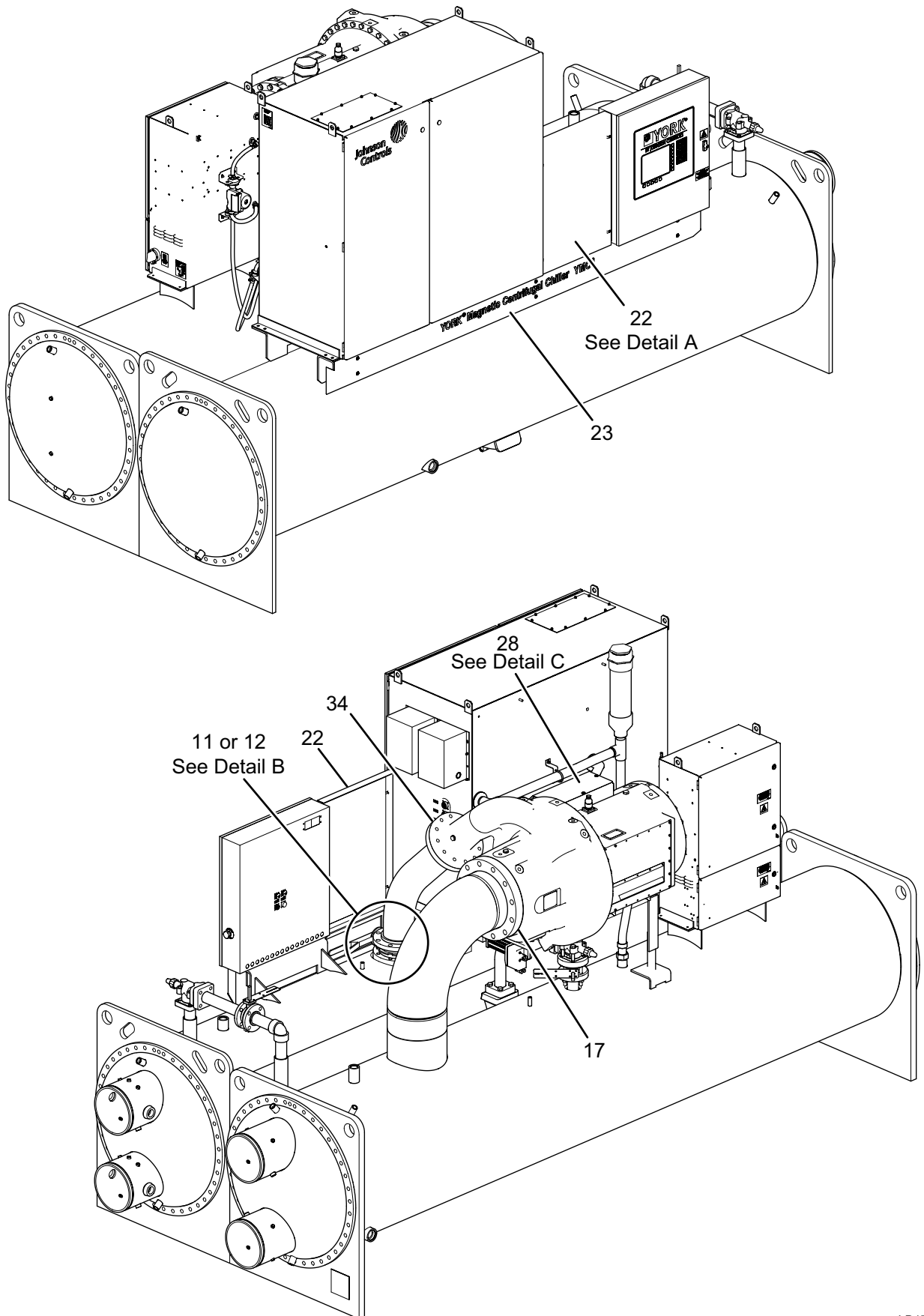
Heat Exchanger Nomenclature Table																	
Position:	1	2	3,4	5,6	-	7,8,9	-	10	11	12	-	13	14	15	16		
	E																Evaporator
		C															Condenser
			B														Heat Exchanger Mod Level
				##													Nominal Inside Diameter in inches
					##												Nominal Length in feet
						###											Tube Number
							B										3/4" Tube count code 1
							C										3/4" Tube count code 2
							D										3/4" Tube count code 3
							E										3/4" Tube count code 4
							F										3/4" Tube count code 5
							2										1" Tube count code 1
							3										1" Tube count code 2
								S									Vessel Refrigerant Side Pressure Code, 235
									1								Water Side Pressure Code, 150 psi
										3							Water Side Pressure Code, 300 psi
											#						Number of passes
												G					Water connection type, Grooved, (Standard)
												F					Water connection type, Flanged
													C				Water box type, Compact
													M				Water box type, Marine
														R			Inlet on Right (when viewing control panel)
														L			Inlet on Left (when viewing control panel)

LIST OF TABLES

TABLE 1 - Unit Assembly	6
TABLE 2 - Evaporator Closures.....	9
TABLE 3 - Condenser Closures.....	10
TABLE 4 - Compressor Components.....	11
TABLE 5 - Compressor Scroll Components.....	14
TABLE 6 - Motor Components.....	17
TABLE 7 - Hot gas Kit.....	23
TABLE 8 - Liquid Line Kit EB25/CB21	24
TABLE 9 - Liquid Line Kit EB25-EB33 / CB25-CB33.....	25
TABLE 10 - 3/4" Evaporator Tubes.....	26
TABLE 11 - 1" Evaporator Tubes	27
TABLE 12 - Evaporator Waterbox Gaskets (Compact).....	28
TABLE 13 - Evaporator Waterbox Gaskets (Marine).....	28
TABLE 14 - Condenser Tubes 3/4" tubes	29
TABLE 15 - Condenser Tubes 1" Tubes	30
TABLE 16 - Condenser Waterbox Gaskets (Compact).....	31
TABLE 17 - Condenser Waterbox Gaskets (Marine).....	31
TABLE 18 - System Piping.....	32
TABLE 19 - Evaporator Relief Valve Kit.....	34
TABLE 20 - Condenser Relief Valve Kit.....	34
TABLE 21 - OptiView Control Panel	35
TABLE 22 - System Wiring	38
TABLE 23 - Power Panel	43
TABLE 24 - VSD Installation Kit.....	46
TABLE 25 - VSD Water Piping.....	48
TABLE 26 - VSD Cooling Kit.....	49
TABLE 27 - Evaporator VSD Coupling Kit	50
TABLE 28 - Neoprene Isolators	50
TABLE 29 - Spring Isolators.....	50
TABLE 30 - Sequencing Kit (Two Unit).....	51
TABLE 31 - Sequencing Kit (Three Unit).....	51
TABLE 32 - Sequencing Kit (Four Unit).....	51
TABLE 33 - Touch-Up Paints	52
TABLE 34 - Flow Control Switch.....	52
TABLE 35 - Consumables.....	52
TABLE 36 - Service Tool Kits	52

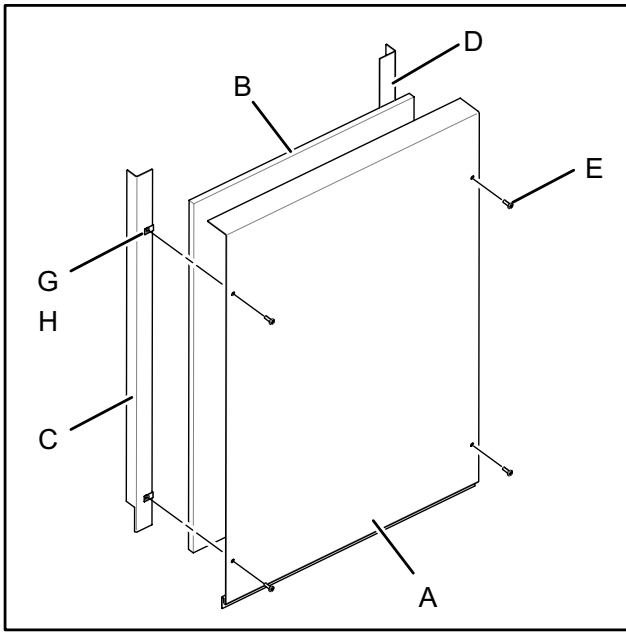
TABLE 1 - UNIT ASSEMBLY

ITEM	DESIGN WORKING PRESSURE	DESCRIPTION	PART NUMBER	SAP	QUANTITY	FIGURE
11	235	Valve Butterfly Size 5 (Without Isolation Valves)	022-10641-005	147048	1	1/2
	350	Valve, Butterfly Resilient Seal (With Isolation Valves)	022-12077-005	731490	1	
	235	Valve Butterfly Size 6 (Without Isolation Valves)	022-10641-006	116118	1	
	350	Valve, Butterfly Resilient Seal (With Isolation Valves)	022-12077-006	731491	1	
12	235, 350	Gasket, Round Ansi 5.00-150# (Without Isolation Valves)	028-15075-011	741976	1	1
		Gasket, Round Ansi 5.00-300# (Without Isolation Valves)	028-15075-060	741992		
		Gasket, Round Ansi 6.00-150# (Without Isolation Valves)	028-15075-012	705347		
		Gasket, Round Ansi 6.00-300# (Without Isolation Valves)	028-15075-061	709274		
17	235, 350	Gasket, Round Comp Suction, 1.88 OD	028-16544-101	742262	1	1
		Gasket, Round Comp Suction, 2.25 OD	028-16544-102	742263		
22	235, 350	Shield Discharge Sound	375-92521-000	798133	1	1/2
A		Shield, Discharge Sound	075-92522-000	761142	1	
B		Foam, Noise Reduction	010-07815-000	728962	1	
C		Angle Shield Mounting	075-92024-000	760998	1	
D		Angle Shield Mounting	075-92029-000	760999	1	
E		Screw Mach Pan Hd Recd 1	021-01785-000	729380	4	
F		Tape, 3M Vhb 5952,	013-03423-000	729118	2	
G		U-Nut, #10-24 Unc	021-33165-000	731056	4	
H		Wear Washer .420 Od X .25 Id X	021-33166-000	731057	4	
23	235, 350	Label Location	375-92523-000	798134	1	1
28	235, 350	Adapter, Motor	371-06020-000	852634	1	1/2
A		Plate, Motor Adaptor Outside	371-06022-000	853123	1	
B		Plate, Back Motor Adaptor	071-06021-000	852429	1	
C		Plate, Top Motor Adaptor	071-06186-000	852611	1	
D		Wireway, Flexible	023-25239-000	734174	1	
E		Plate, Motor Adapter	371-05902-000	774335	1	
F		Seal-Edge Grip 3/8 In Dia Bulb	028-16512-000	742257	6.5'	
G		Wash Pln 0.250 Zn, 0.625/0.065	021-32004-503	641533	16	
H		Nut Hex 0.250-20 X Gr 5 Zn	021-32004-501	616899	12	
I		Screw Mach Pan Hd Recd 1	021-01873-000	166379	4	
J		Acoustical Foam Isolator	028-15031-000	169162	1	
34	235, 350	Gasket, Round Comp Discharge, 5"	028-16544-201	742265	1	1
		Gasket, Round Comp Discharge, 6"	028-16544-202	742266		

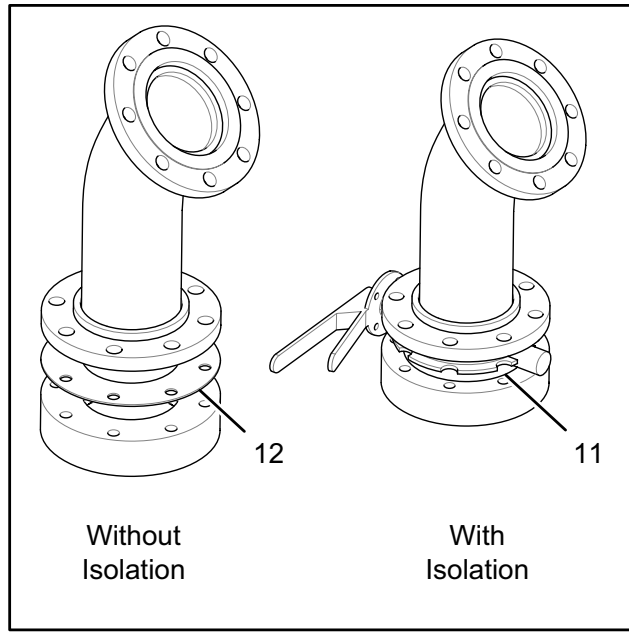


LD17495

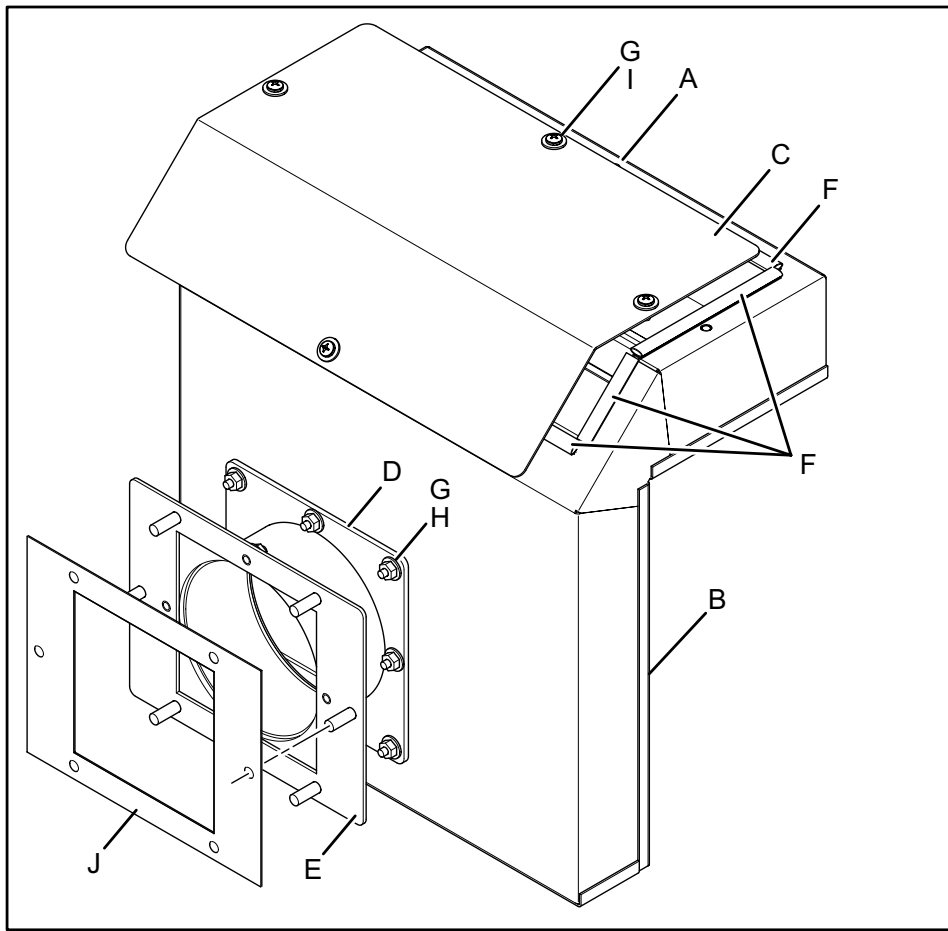
FIGURE 1 - YMC UNIT COMPONENTS



Detail A



Detail B



Detail C

LD17495a

FIGURE 2 - YMC UNIT COMPONENTS

TABLE 2 - EVAPORATOR CLOSURES

ITEM	EVAPORATOR CODE	DESCRIPTION	PART NUMBER	SAP	QUANTITY	FIGURE
2	ALL	O-Ring Neo1 00.351Id .072Thk M	028-12961-001	588817	1	3
3	ALL	Valve Stop Ang Vertical	022-09577-000	617078	1	3
4	ALL	O-Ring Neo1 00.924Id .116Thk M	028-12961-006	588821	2	3
5	ALL	Valve Ball 1-1/16 - 12 Un-2A	022-09757-000	62507	1	3
6	ALL	O-Ring Neo1 00.644Id .087Thk M	028-12961-004	588819	1	3
7	ALL	Sensor, Temperature 3000 Ohms	025-41904-000	618239	1	3
8	ALL	O-Ring Neo1 01.171Id .116Thk M	028-12961-008	588822	1	3
9	ALL	Cap Flare 3/4 Od Tube	023-00984-000	617242	2	3
10	ALL	Gasket Fla 3/4 Od Tube:	028-09211-000	618602	2	3
11	ALL	Gasket, Seal 1 Od X 7/8 Id X	028-04836-000	62960	1	3
12	ALL	Valve Stop Ang Vertical	022-09573-000	617077	1	3
13	ALL	O-Ring Neo1 02.090Id .118Thk M	028-12961-036	618660	1	3
14	ALL	Plug Sight 2-1/4 -12 Un-2A	023-17197-000	146345	1	3
16	EB25	O-Ring Neo1 01.489Id .070Thk M	028-12961-019	618655	1	3
	EB29, EB33	O-Ring Neo1 01.720Id .118Thk M	028-12961-020	618656	1	
18	ALL	O-Ring Neo1 01.475Id .118Thk M	028-12961-017	618653	1	3
20	ALL	O-Ring Neo1 00.468Id .078Thk M	028-12961-003	588818	1	3
21	ALL	Elbow 3/4 Od. Tube 90 Deg Male	023-25543-000	829123	1	3

NOTE: Items with an * are NOT represented.

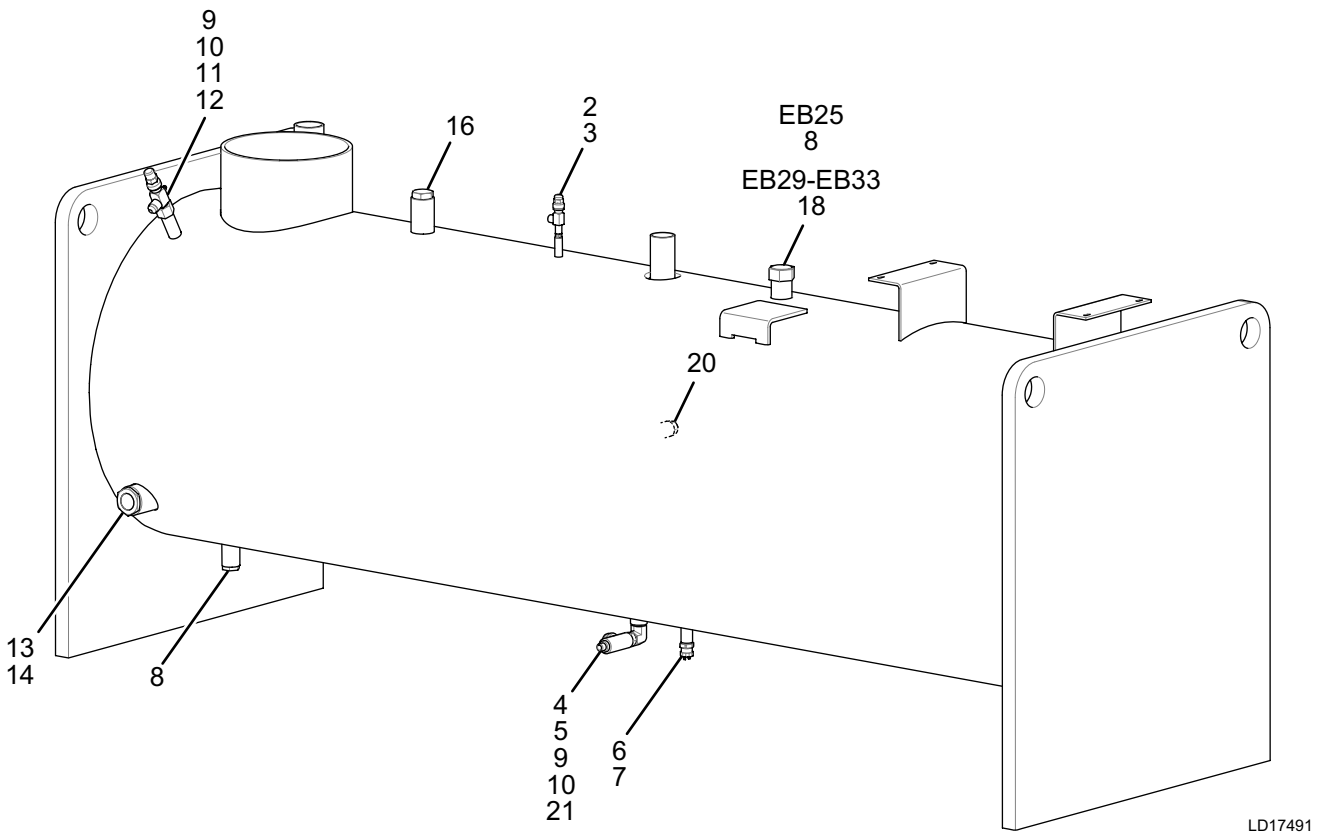
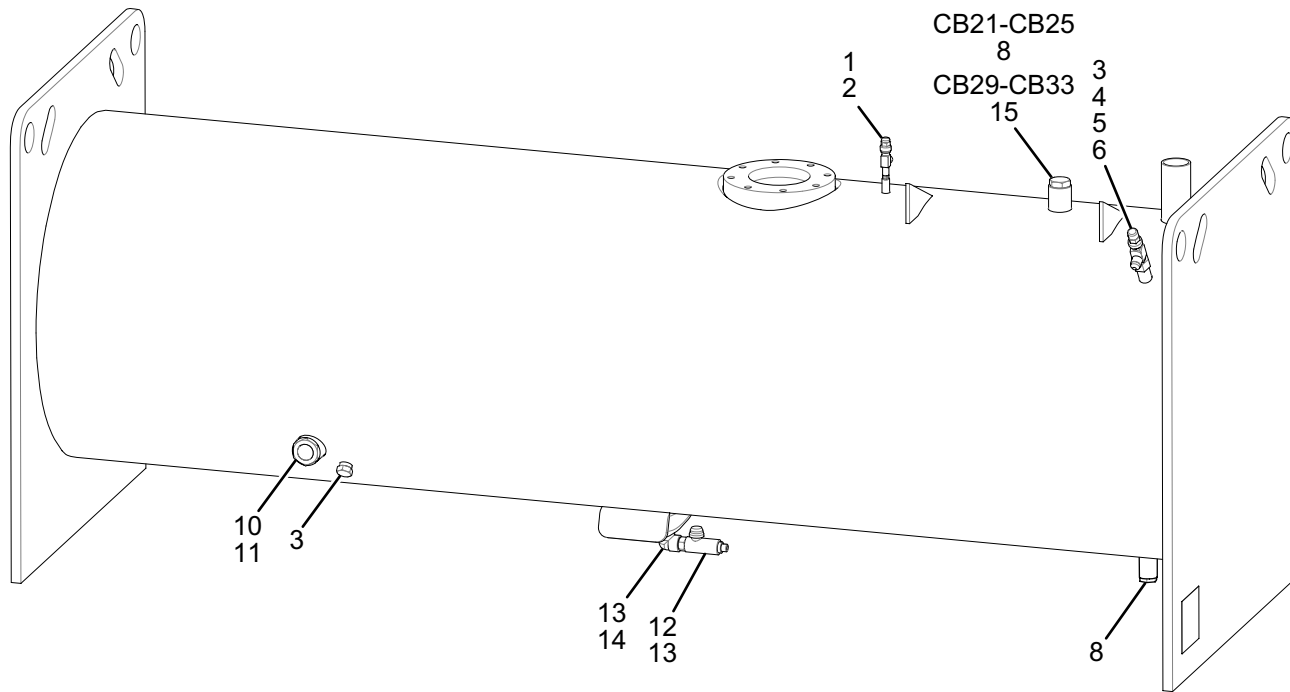


FIGURE 3 - EVAPORATOR CLOSURES

TABLE 3 - CONDENSER CLOSURES

ITEM	CONDENSER CODE	DESCRIPTION	PART NUMBER	SAP	QUANTITY	FIGURE
1	ALL	O-Ring Neo1 00.351Id .072Thk M	028-12961-001	588817	1	4
2	ALL	Valve Stop Ang Vertical	022-09577-000	617078	1	4
3	ALL	Gasket, Seal 1 Od X 7/8 Id X	028-04836-000	62960	2	4
4	ALL	Valve Stop Ang Vertical	022-09573-000	617077	1	4
5	ALL	Cap Flare 3/4 Od Tube	023-00984-000	617242	1	4
6	ALL	Gasket Fla 3/4 Od Tube:	028-09211-000	618602	1	4
8	ALL	O-Ring Neo1 01.171Id .116Thk M	028-12961-008	588822	2	4
10	ALL	O-Ring Neo1 02.090Id .118Thk M	028-12961-036	618660	1	4
11	ALL	Plug Sight 2-1/4 -12 Un-2A	023-17197-000	146345	1	4
12	ALL	Valve Ball 1-1/16 - 12 Un-2A	022-09757-000	62507	1	4
13	ALL	O-Ring Neo1 00.924Id .116Thk M	028-12961-006	588821	2	4
14	ALL	Sensor Temperature 3000 Ohms	025-39517-000	118035	1	4
15	CB29, CB33	O-Ring Neo1 01.475Id .118Thk M	028-12961-017	618653	1	4

NOTE: Items with an * are NOT represented.



LD17492

FIGURE 4 - CONDENSER CLOSURES

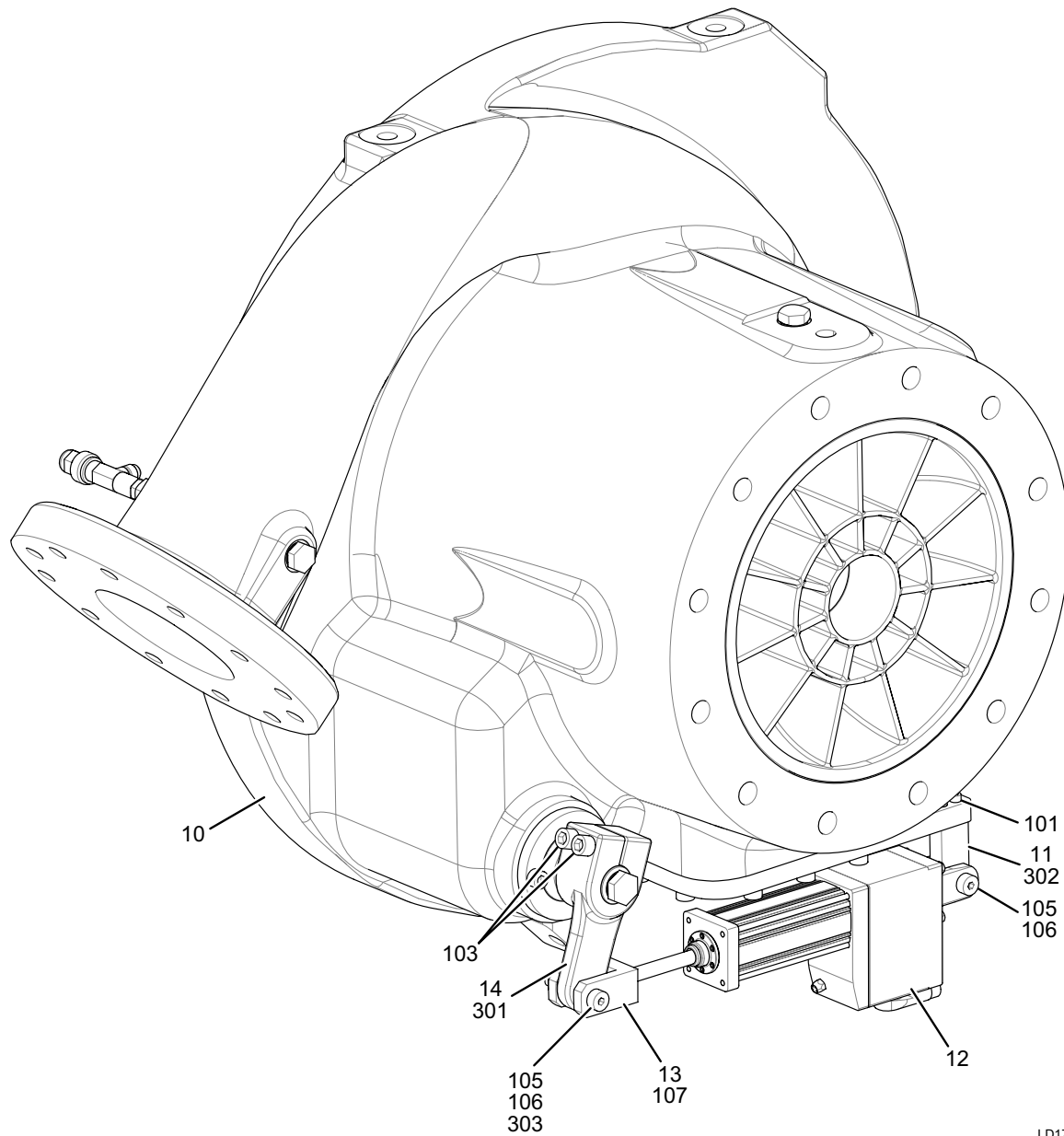
TABLE 4 - COMPRESSOR COMPONENTS

ITEM	COMPRESSOR CODE	DESCRIPTION	PART NUMBER	SAP	QUANTITY	FIGURE
1	ALL	Motor M2C, Field Replacement	064-53820-000	-	1	6
3	M2C-197FAC	Plate Seal	064-53261-000	821229	1	6
	M2C-205FAC		064-53262-000	822335		
	M2C-218FAC		064-53263-000	821458		
	M2C-233FAC		064-53264-000	822244		
	M2C-246FAC		064-53256-000	816708		
4	M2C-197FAC	Ring Seal	064-52876-000	821207	1	6
	M2C-205FAC		064-52881-000	822290		
	M2C-218FAC		064-52888-000	821439		
	M2C-233FAC		064-52891-000	822009		
	M2C-246FAC		064-52566-000	747095		
5	M2C-197FAC	Washer Spring	064-52877-000	821208	1	6
	M2C-205FAC					
	M2C-218FAC	Washer Spring Ball Piston Seal	064-52568-000	710462		
	M2C-233FAC					
	M2C-246FAC					
6	M2C-197FAC	Retainer Seal	064-52878-000	821209	1	6
	M2C-205FAC		064-52567-000	710457		
	M2C-218FAC					
	M2C-233FAC					
	M2C-246FAC					
7	ALL	Stud Impeller 14X2	064-52802-000	747105	1	6
8	M2C-197FAC	Impeller 197Fa	364-52860-001	821230	1	6
	M2C-205FAC	Impeller 205Fa	364-52863-001	822336		
	M2C-218FAC	Impeller 218Fa	364-52866-001	821459		
	M2C-233FAC	Impeller 233Fa	364-52869-001	822245		
	M2C-246FAC	Impeller, 246Fa	364-52850-001	770970		
9	ALL	Nut Impeller M14x2	064-52803-000	710536	1	6
10	All	Scroll Assembly	<i>See Table 3</i>			
11	ALL	Eye Rod Exlar Actuator	064-53052-000	710452	1	5
12	ALL	Actuator Linear	025-44679-000	710442	1	5
13	ALL	Clevis Exlar Actuator	064-53053-000	710450	1	5
14	ALL	Lever External	064-53054-000	710454	1	5
100	ALL	Shcs M6x1x20 Stl	021-33076-020	705374	6	6
101	ALL	Shcs M6x1x30 Stl	021-33076-030	816704	2	5
102	ALL	Shcs M8x1.25x40 Stl	021-33077-040	705383	6	6
103	ALL	Shcs M12x1.75x55 Stl	021-33079-055	705389	2	5
104	ALL	Shss Metric 8X20 Stl	021-33088-020	705393	3	5
105	ALL	Nut Hex M10x1.5 Style 1 Cl 10	021-33126-000	705399	2	5
106	ALL	Shss Metric 12X45 Stl	021-33127-045	705402	2	5
107	ALL	Nut Hex Jam M10x1.5 Cl 05	021-33256-000	705408	1	5
200	ALL	O-Ring Neo1 17.955ld .275Thk M	028-16351-000	588892	1	5
201	ALL	O-Ring Hnbr 27.485ld .275Thk M	028-16519-000	710485	1	5

TABLE 4 - COMPRESSOR COMPONENTS (CONT'D)

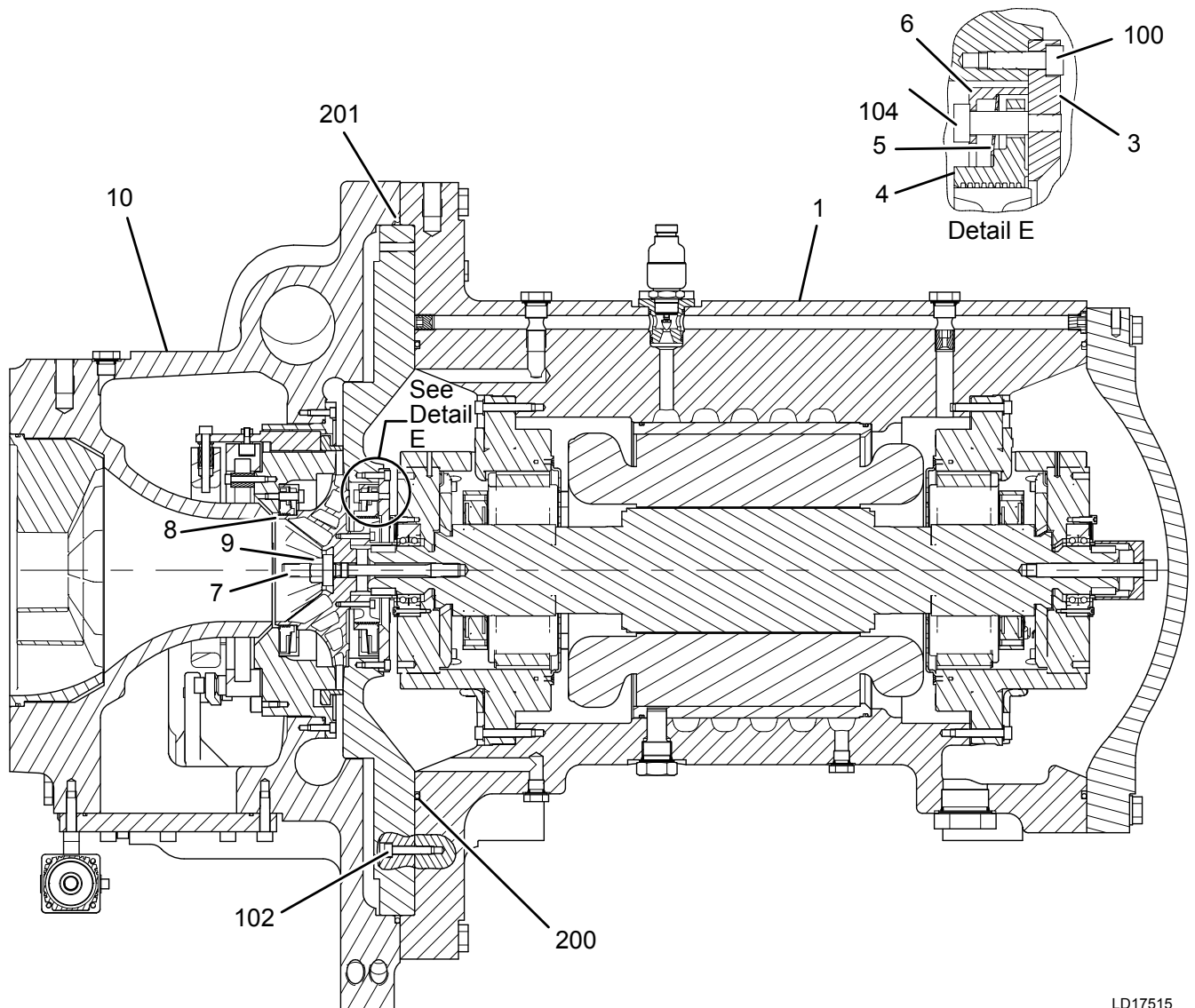
ITEM	COMPRESSOR CODE	DESCRIPTION	PART NUMBER	SAP	QUANTITY	FIGURE
301	ALL	Bushing Ggb Bb1207du	029-26137-000	710445	2	5
302	ALL	Bushing Ggb 1215Du	029-26138-000	710444	1	5
303	ALL	Bushing Ggb 1210Du	029-26141-000	710443	2	5

NOTE: Items with an * are NOT represented.



LD17514

FIGURE 5 - COMPRESSOR COMPONENTS

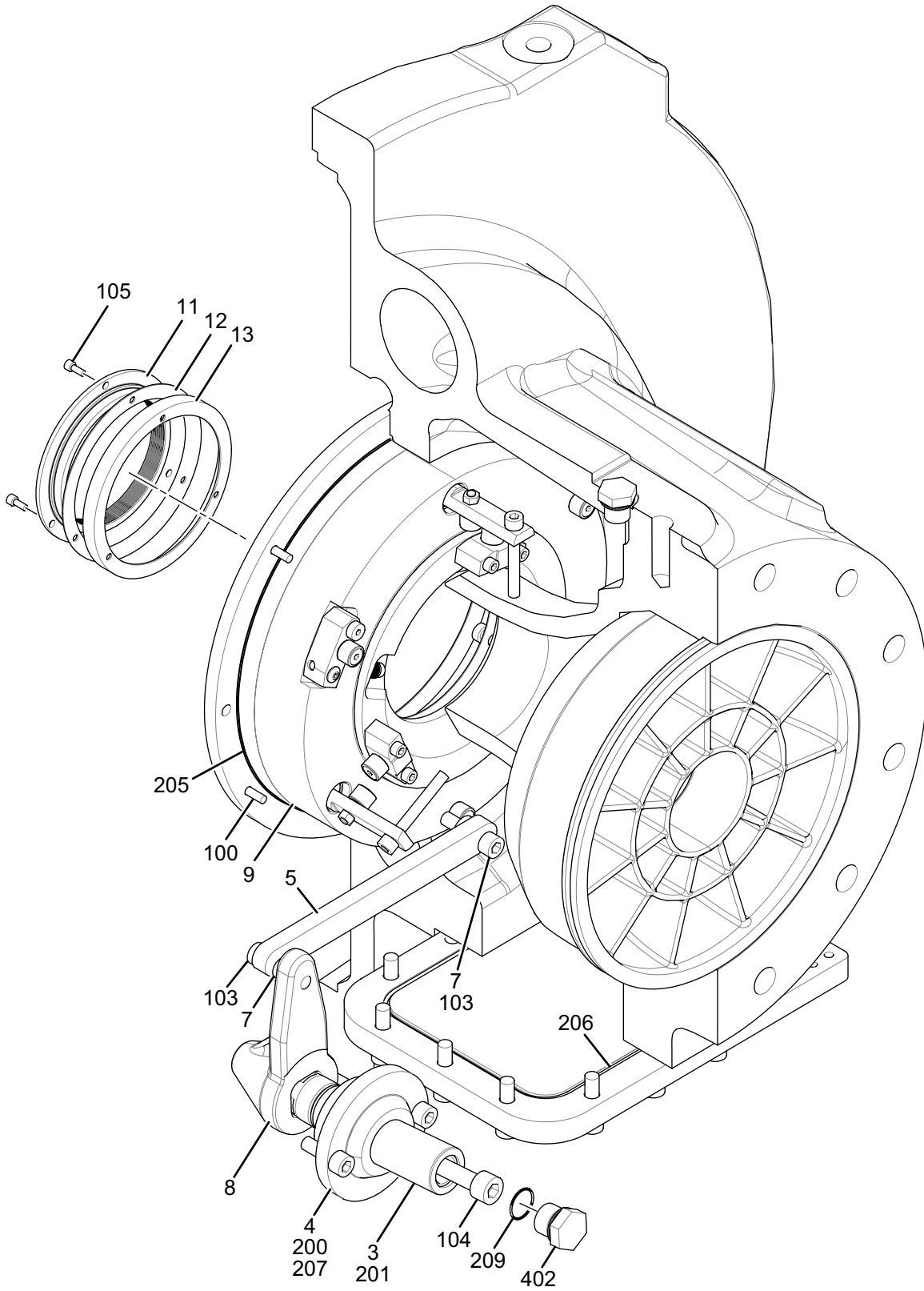


LD17515

FIGURE 6 - COMPRESSOR COMPONENTS

TABLE 5 - COMPRESSOR SCROLL COMPONENTS

ITEM	COMPRESSOR CODE	DESCRIPTION	PART NUMBER	SAP	QUANTITY	FIGURE
2	197/205	Straightener 10" Suction	064-53185-000	821226	1	7
	218/233/246	Straightener 12" Suction	064-53186-000	710461		
3	All	Shaft Control	064-52576-000	710460	1	8
4	All	Cover Shaft Control	064-52577-000	710451	1	7
5	All	Link Internal	029-26308-000	841423	1	8
7	All	Fillpiece	064-52766-010	710453	2	8
8	All	Lever Internal	064-53205-000	710455	1	8
9	197	Device VGD	364-53095-000	821241	1	8
	205	Device VGD	364-53096-000	822337		
	218	Device VGD	364-53097-000	821460		
	233	Device VGD	364-53098-000	822246		
	246	Device VGD	364-53099-000	710441		
10	All	Plate Handhole Cover Exlar	064-53203-000	710456	1	7
11	197	Ring Seal	064-52879-000	821210	1	8
	205	Ring Seal	064-52882-000	822331		
	218	Ring Seal	064-52889-000	821440		
	233	Ring Seal	064-52892-000	822010		
	246	Ring Seal	064-52574-000	710469		
12	197/205	Washer Spring	064-52877-000	821208	1	8
	218/233/246	Washer Spring	064-52568-000	710462		
13	197/205	Retainer Seal	064-52878-000	821209	1	8
	218/233/246	Retainer Seal	064-52567-000	710457		
14	All	Adapter Conversion	064-52774-000	710099	1	7
100	All	Shcs M6x1x20 Stl	021-33076-020	705374	6	8
101	All	Shcs M10x1.5x30 Stl	021-33078-030	705385	2	7
102	All	Shcs M10x1.5x35 Stl	021-33078-035	705386	12	7
103	All	Screw Shcs M10 L=40Mm Steel	021-33078-040	831309	2	8
104	All	Shcs M12x1.75x150 Stl	021-33079-150	705390	1	8
105	All	Shss Metric 8X20 Stl	021-33088-020	705393	3	8
200	All	O-Ring Neop 02.234ld .139Thk M	028-03803-000	588784	1	8
201	All	O-Ring Neo1 01.109ld .139Thk M	028-12200-000	588798	2	8
202	All	O-Ring Neop 10.484ld .139Thk M	028-12226-000	588805	1	7
203	All	O-Ring Neo1 00.351ld .072Thk M	028-12961-001	588817	1	7
204	197/205/246	O-Ring Neo1 00.468ld .078Thk M	028-12961-003	588818	1	7
	218/233	O-Ring Hnbr 12.475ld .139Thk M	028-16737-000	917555		
205	197/205	O-Ring Neo1 11.484ld .139Thk M	028-13977-000	588834	1	8
	218/233	O-Ring Neo1 12.984ld .139Thk M	028-14412-000	588840		
	246	O-Ring Neo1 13.984ld .139Thk M	028-15581-000	588887		
206	All	O-Ring Neo1 08.234ld .139Thk M	028-15078-000	588859	1	8
207	All	O-Ring Neo1 02.112ld .103Thk M	028-15432-000	588877	1	8
208	All	O-Ring Hnbr 00.602ld .087Thk M	028-16398-018	710515	3	7
209	All	O-Ring Hnbr 00.760ld .087Thk M	028-16398-022	710519	1	7
400	All	Valve Stop Ang Vertical	022-09578-000	588690	1	7
401	All	Plug Hex Hd M18x1.5	023-25111-018	705415	2	7
402	All	Plug Hex Hd M22x1.5	023-25111-022	705417	1	7



LD17744

FIGURE 8 - COMPRESSOR SCROLL COMPONENTS

TABLE 6 - MOTOR COMPONENTS

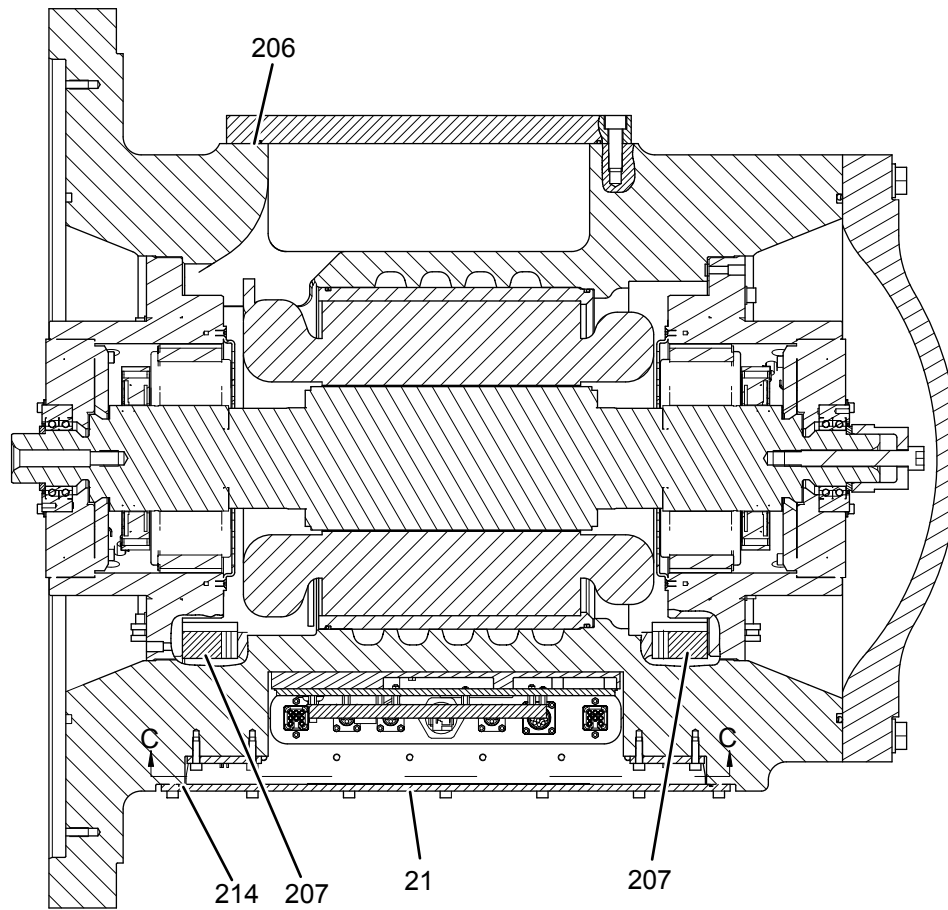
ITEM	DESCRIPTION	PART NUMBER	SAP	QUANTITY	FIGURE
1	Housing Motor w Stator M2, Field Replacement	064-53821-000	-	1	9
4	Terminal Motor	025-44002-000	705435	3	10
5	Shim Bearing Kit M2	064-52612-000	705447	1	9
	Shim Bearing, 1.000 (0.394) Thk	064-52612-100	831856	-	9
	Shim Bearing, 1.025 (.0413) Thk	064-52612-102	865201	-	
	Shim Bearing, 1.050 (.0423) Thk	064-52612-105	821857	-	
	Shim Bearing, 1.075 (.0423) Thk	064-52612-107	865202	-	
	Shim Bearing, 1.100 (.0433) Thk	064-52612-110	831858	-	
	Shim Bearing, 1.125 (.0443) Thk	064-52612-112	865203	-	
	Shim Bearing, 1.150 (.0453) Thk	064-52612-115	831859	-	
	Shim Bearing, 1.175 (.4063) Thk	064-52612-117	865204	-	
	Shim Bearing, 1.200 (.0472) Thk	064-52612-120	831860	-	
	Shim Bearing, 1.225 (.0482) Thk	064-52612-122	865205	-	
	Shim Bearing, 1.250 (.0492) Thk	064-52612-125	831861	-	
	Shim Bearing, 1.275 (.0502) Thk	064-52612-127	865206	-	
	Shim Bearing, 1.300 (.0512) Thk	064-52612-130	831862	-	
	Shim Bearing, 1.325 (.0522) Thk	064-52612-132	865207	-	
	Shim Bearing, 1.350 (.0531) Thk	064-52612-135	831863	-	
	Shim Bearing, 1.375 (.0541) Thk	064-52612-137	865208	-	
	Shim Bearing, 1.400 (.0551) Thk	064-52612-140	831864	-	
	Shim Bearing, 1.425 (.0561) Thk	064-52612-142	865209	-	
	Shim Bearing, 1.450 (.0571) Thk	064-52612-145	831865	-	
	Shim Bearing, 1.475 (.0581) Thk	064-52612-147	865210	-	
	Shim Bearing, 1.500 (.0591) Thk	064-52612-150	831866	-	
	Shim Bearing, 1.525 (.0600) Thk	064-52612-152	865211	-	
	Shim Bearing, 1.550 (.0610) Thk	064-52612-155	831867	-	
	Shim Bearing, 1.575 (0.620) Thk	064-52612-157	865212	-	
	Shim Bearing, 1.600 (.0630) Thk	064-52612-160	831868	-	
	Shim Bearing, 1.625 (.0640) Thk	064-52612-162	865213	-	
	Shim Bearing, 1.650 (.0650) Thk	064-52612-165	831869	-	
	Shim Bearing, 1.675 (.0659) Thk	064-52612-167	865214	-	
	Shim Bearing, 1.700 (0.669) Thk	064-52612-170	831870	-	
	Shim Bearing, 1.725 (.0679) Thk	064-52612-172	865215	-	
	Shim Bearing, 1.750 (.0689) Thk	064-52612-175	831871	-	
	Shim Bearing, 1.775 (.0699) Thk	064-52612-177	865216	-	
	Shim Bearing, 1.800 (.0709) Thk	064-52612-180	831872	-	
	Shim Bearing, 1.825 (.0718) Thk	064-52612-182	865217	-	
	Shim Bearing, 1.850 (.0728) Thk	064-52612-185	831873	-	
	Shim Bearing, 1.875 (.0738) Thk	064-52612-187	865218	-	
	Shim Bearing, 1.900 (.0748) Thk	064-52612-190	831874	-	
	Shim Bearing, 1.925 (.0758) Thk	064-52612-192	865219	-	
	Shim Bearing, 1.950 (.0768) Thk	064-52612-195	831875	-	
	Shim Bearing, 1.975 (.0778) Thk	064-52612-197	865220	-	
	Shim Bearing, 2.000 (.0787) Thk	064-52612-200	831876	-	

TABLE 6 - MOTOR COMPONENTS (CONT'D)

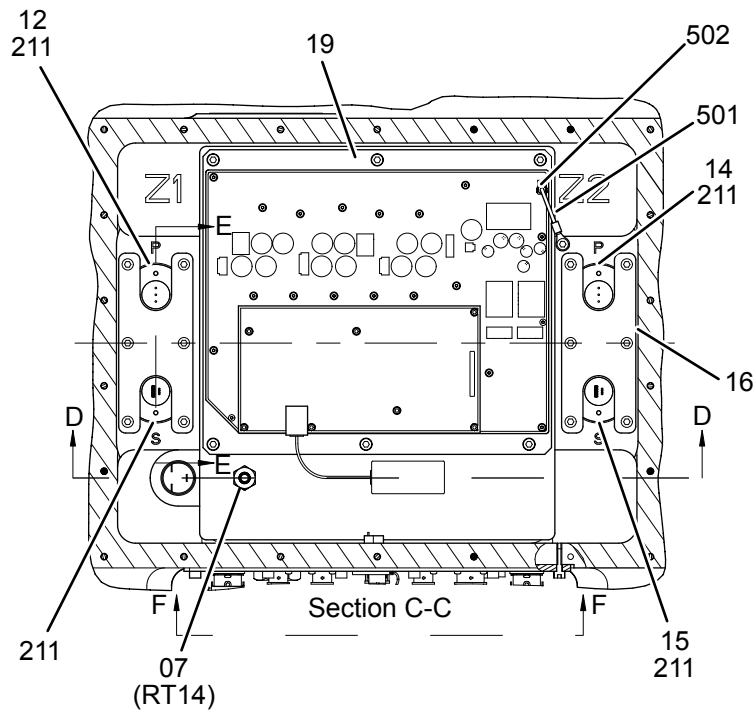
ITEM	DESCRIPTION	PART NUMBER	SAP	QUANTITY	FIGURE
6	Cartridge Magnetic Bearing M2	029-25926-000	705439	2	9
6a	Ball Bearing Module	029-26243-000	-	1	
6b	Bearing Preload Springs and Mounting Hardware	029-26247-000	-	1	
7	Rotor Motor M2	024-38192-000	-	1	9
8	Ring Thrust Z1 M2	029-26134-000	705440	1	9
9	Orifice Plug M20x2.5x20 5 Dia	064-53662-000	1004857	1	9
10	Ring Thrust Z2 M2	029-26135-000	705441	1	9
11	Retainer Thrust Ring Z2	064-53240-000	886171	1	9
12	Feedthrough MBC Power Z1	025-45101-000	831839	1	10/11
13	Feedthrough MBC Signal Z1	025-45111-000	831851	1	11
14	Feedthrough MBC Power Z2	025-45102-000	831840	1	10
15	Feedthrough MBC Signal Z2	025-45112-000	831852	1	10
16	Retainer Feedthrough M2	064-53201-000	705458	2	11
19	Controller Magnetic Bearing	025-44457-000	705437	1	10
20	PLATE ASSY., CONNECTOR MOUNTING	-	-	1	11
02	Plate Mounting Connector	064-53118-000	927856	1	
03	MBC INTERNAL WIRING HARNESS	392-13709-200	991374	1	11
	Connector, Bulkhead Sz 1	025-45897-000	991342	1	
	Connector, Heavy Duty Sz 1	025-45898-000	991343	1	
	Contact Pin, Heavy Duty, 20-16 awg	025-45904-000	991349	2	
	Contacts 20-16 awg, JST Type	025-44950-000	823956	2	
	Connector, 2-pos JST, N-type Housing	025-44954-000	823958	1	
04	MBC INTERNAL WIRING HARNESS	392-13709-201	991375	1	11
	Connector, Bulkhead, Size 1	025-45897-000	991342	1	
	Connector, Bulkhead, Size 1	025-45898-000	991343	1	
	Contact Pin, Heavy Duty, 20-16 AWG	025-45904-000	991349	8	
	Ferrule, 16AWG, 0.571"lg.,0.071"dia.	025-45924-000	991367	6	
	Terminal, Fast-on, Flag. Insulated 16-14 AWG	025-23736-000	144754	2	
05	MBC INTERNAL WIRING HARNESS	392-13709-202	991376	1	11
	Connector Receptacle Housing, 4-pos, Metal	025-45915-000	991360	1	
	Contact Pin, 20-22 AWG, Ins. Dia. 1.17-2.08	025-45919-000	991364	3	
	Cable, 4 Conductor, 22 AWG	025-31788-000	618187	6"	
	Connector Plug, FMC 1.5/4-STF-3.5	025-44949-000	823955	1	
06	MBC INTERNAL WIRING HARNESS	392-13709-203	991377	1	11
	Connector Receptacle Housing, 4-pos, Metal	025-45915-000	991360	1	
	Contact Pin, 20-22 AWG, Ins. Dia. 1.17-2.08	025-45919-000	991364	2	
	Contact Pin, 20-22 AWG, Ins. Dia. 1.17-2.08	025-28701-000	-	6"	
	Ferrules, #20 wire, 0.453" length, 0.043" dia	025-44955-000	823959	2	
07	MBC INTERNAL WIRING HARNESS	392-13709-204	991378	1	11
	Connector Receptacle Housing, 4 pos Metal	025-45915-000	991360	1	
	Contact Pins 20-22 awg Dia 1.17-2.08	025-45919-000	991364	2	
	Temp. Sensor, 50 kohm @ 25 Deg C	025-44951-000	823957	1	

TABLE 6 - MOTOR COMPONENTS (CONT'D)

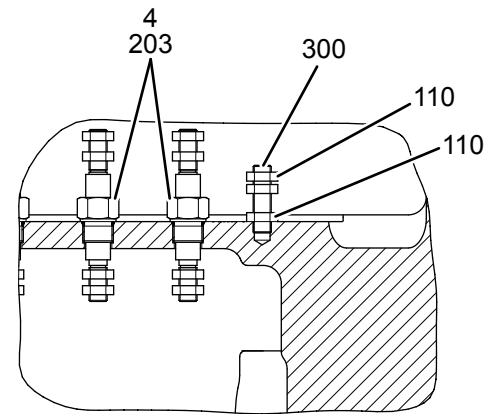
ITEM	DESCRIPTION	PART NUMBER	SAP	QUANTITY	FIGURE
08	MBC INTERNAL WIRING HARNESS	392-13709-205	991379	1	11
	Connector, Receptacle Housing, 12-pos, Metal	025-45916-000	991361	1	
	Contact Pins, 20-22 Awg, Ins Dia 1.17-2.08mm	025-45919-000	991364	12	
	Cable, 22 Awg, 6 Cond, 0.212" dia (5.38mm)	025-31785-000	738643	16"	
	JST contact pins, 22Awg	025-45903-000	991348	12	
	JST male connector, 8-pos	025-95905-000	-	2	
09	Cable Patch Cat5e, 4-Pair	025-44831-000	823941	1	11
010	Frame, Rj45 Panel Mounting,	025-44832-000	823942	1	
011	Socket Rj45 Insert, Modular	025-44833-000	823943	1	
012	Cover Protective, Ip67, Flat Design,	025-44834-000	823944	1	
015	Gasket	028-16740-000	991369	3	
016	Gasket	028-16741-000	991370	1	
21	COVER MBC	364-53606-000	886179	1	10/11
001	Plate MBC Cover	064-53603-000	886173	1	
002	Magnet MBC Cover	064-53604-000	886174	1	
003	Strip Mounting	064-53605-000	886175	1	
005	Fchs M3x0.5x6	021-33425-006	886115	5	
24	EEV Cartridge	325-44710-000	697875	1	9
100	Shcs M14x2x110 Stl	021-33074-110	886114	1	9
108	Screw Set M 16 P=2 L=16Mm Steel Gra	021-33255-016	705407	1	9
109	Hcs M16 X 2 X 90 Stl	021-33287-090	816705	20	9
110	Nut Hex Jam M16x2	021-33159-000	705405	15	10
200	O-Ring Neo1 17.955ld .275Thk M	028-16351-000	588892	1	9
201	O-Ring Hnbr 00.319ld .063Thk M	028-16398-010	706200	3	11
202	O-Ring Hnbr 00.524ld .087Thk M	028-16398-016	706281	2	9
203	O-Ring Hnbr 00.929ld .114Thk M	028-16398-027	706282	3	10
204	O-Ring Hnbr 01.047ld .114Thk M	028-16398-030	706283	2	9
205	O-Ring Hnbr 01.756ld .114Thk M	028-16398-048	706284	1	9
206	O-Ring Neo1 13.984ld .139Thk M	028-15581-000	588887	1	10
207	Grommet Special	028-16525-000	705438	2	10
208	O-Ring Hnbr 01.112ld .103Thk M	028-16568-000	697872	1	9
209	O-Ring Hnbr 01.237ld .103Thk M	028-16569-000	697873	1	9
210	O-Ring Hnbr 00.760ld .087Thk M	028-16398-022	710519	2	9
211	O-Ring Hnbr 01.859ld .139Thk M	028-16581-000	705428	4	10/11
213	O-Ring Hnbr 08.987ld .103Thk M	028-16653-000	831853	1	11
214	O-Ring Neo1 20.510ld .103Thk S	028-16654-000	831854	1	10
215	O-Ring Neo1 11.484ld .139Thk M	028-13977-000	588834	2	9
300	Terminal Ground M2	025-44003-000	705436	1	10
302	Key Rotor	029-26234-000	831855	4	9
400	Plug Hex Hd M16x1.5	023-25111-016	705414	2	9
401	Plug Hex Hd M22x1.5	023-25111-022	705417	2	9
402	Plug Hex Hd M48x2	023-25111-048	705422	1	9
403	Fitting Liquid-Tight M16x1.5	025-44015-000	705425	2	11
500	Switch Hi Press Cutout Metric	025-43936-235	740381	1	11
501	Wire MBC Ground Assy	325-45374-000	865223	1	10
502	Term Push-On Adpt 90 Deg	025-45376-000	865109	1	10



Section B-B



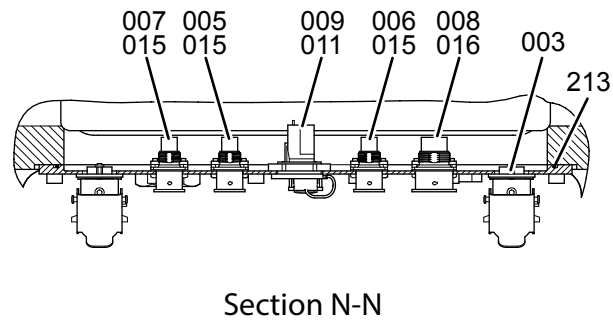
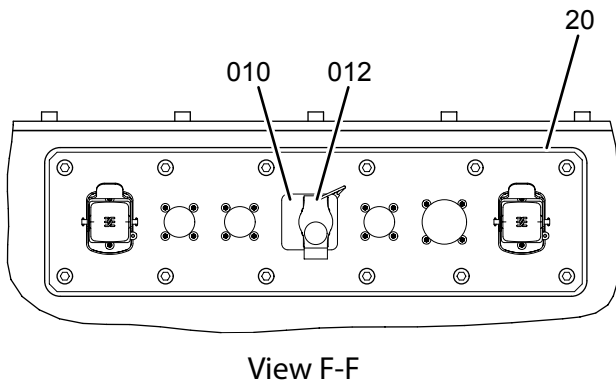
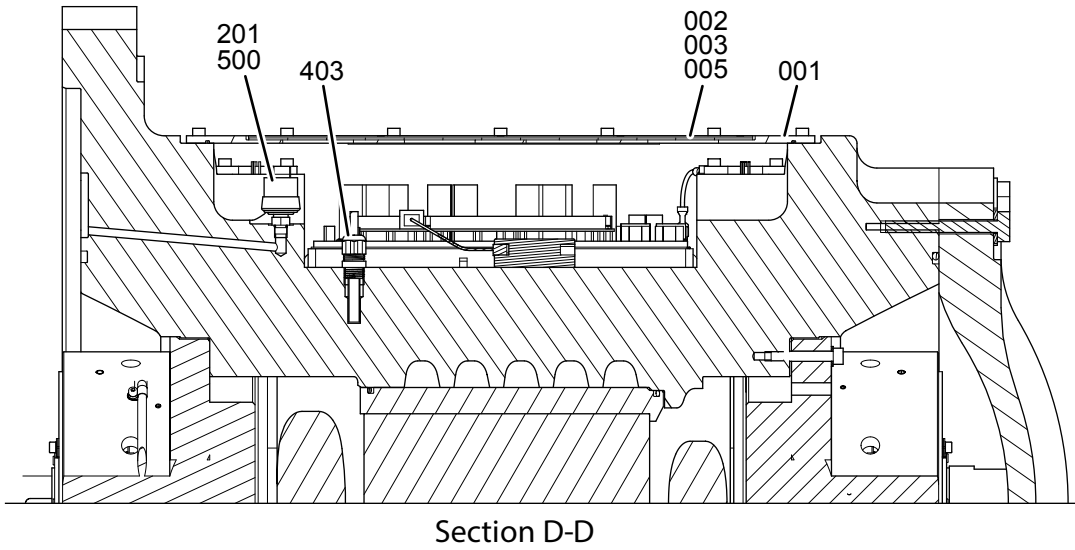
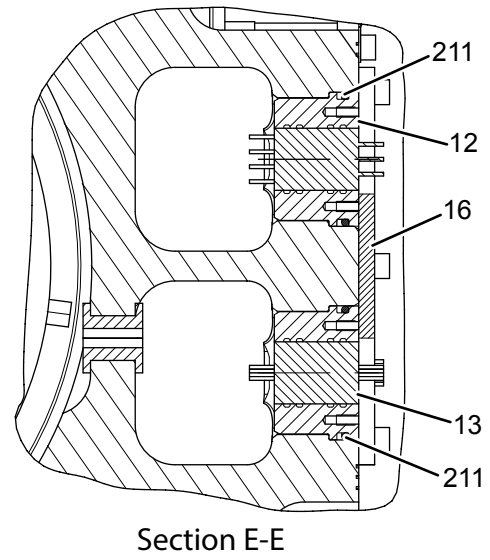
Section C-C



Section G-G

FIGURE 10 - MOTOR COMPONENTS

LD17612



LD17611

FIGURE 11 - MOTOR COMPONENTS

TABLE 7 - HOT GAS KIT

ITEM	CONDENSER DWP	DESCRIPTION	PART NUMBER	SAP	QUANTITY	FIGURE
1	235	Valve Butterfly Size 2	022-10643-002	617136	1	12
	350	Valve 300 Psi Butterfly	022-12078-003	820165	1	12
5	235, 350	Valve Stop Compr 2-5/8 Od (With Isolation Valves)	022-10048-000	617116	1	12
7	235	Hcs5 0.625-11 X 4.500 Gr 5 Zn	021-32010-036	616908	8	12
	350	Hcs5 0.625-11 X 5.500 Gr 5 Zn	021-32010-044	820310	8	12
8	235, 350	Hcs5 0.625-11 X 2.250 Gr 5 Zn (With Isolation Valves)	021-32010-018	679632	4	12
9	235, 350	Nut Hex 0.625-11 X Gr 5 Zn	021-32010-501	616911	4	12
10	235, 350	Gasket Flange (With Isolation Valves)	028-14463-000	618665	1	12
11	235, 350	Gasket, 2" Isolation Valve (With Isolation Valves)	028-16786-002	1049400	1	12
15	350	Gasket, Round Ansi 2.00-300#	028-15075-055	741989	2	12

NOTE: Items with an * are NOT represented.

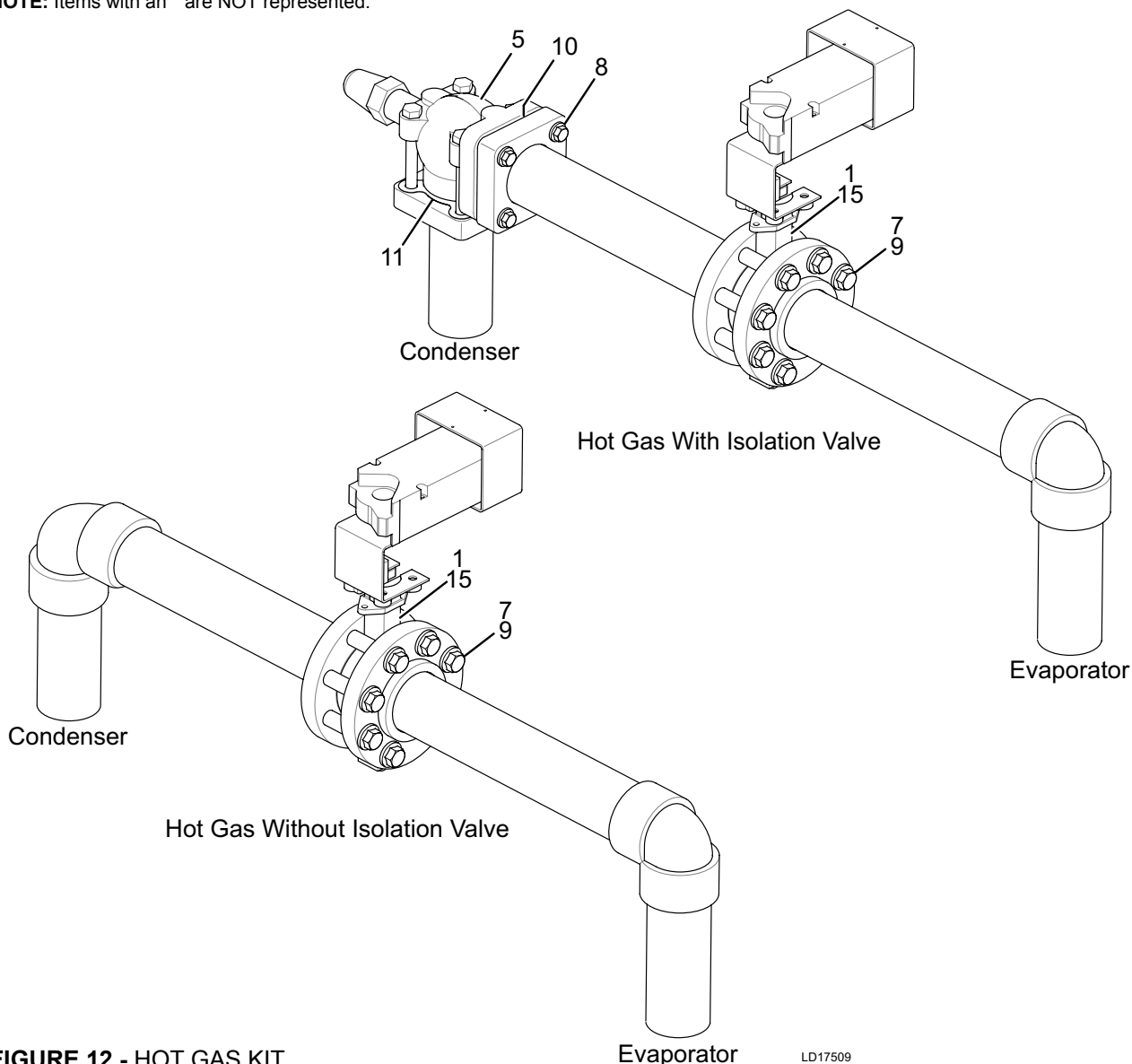
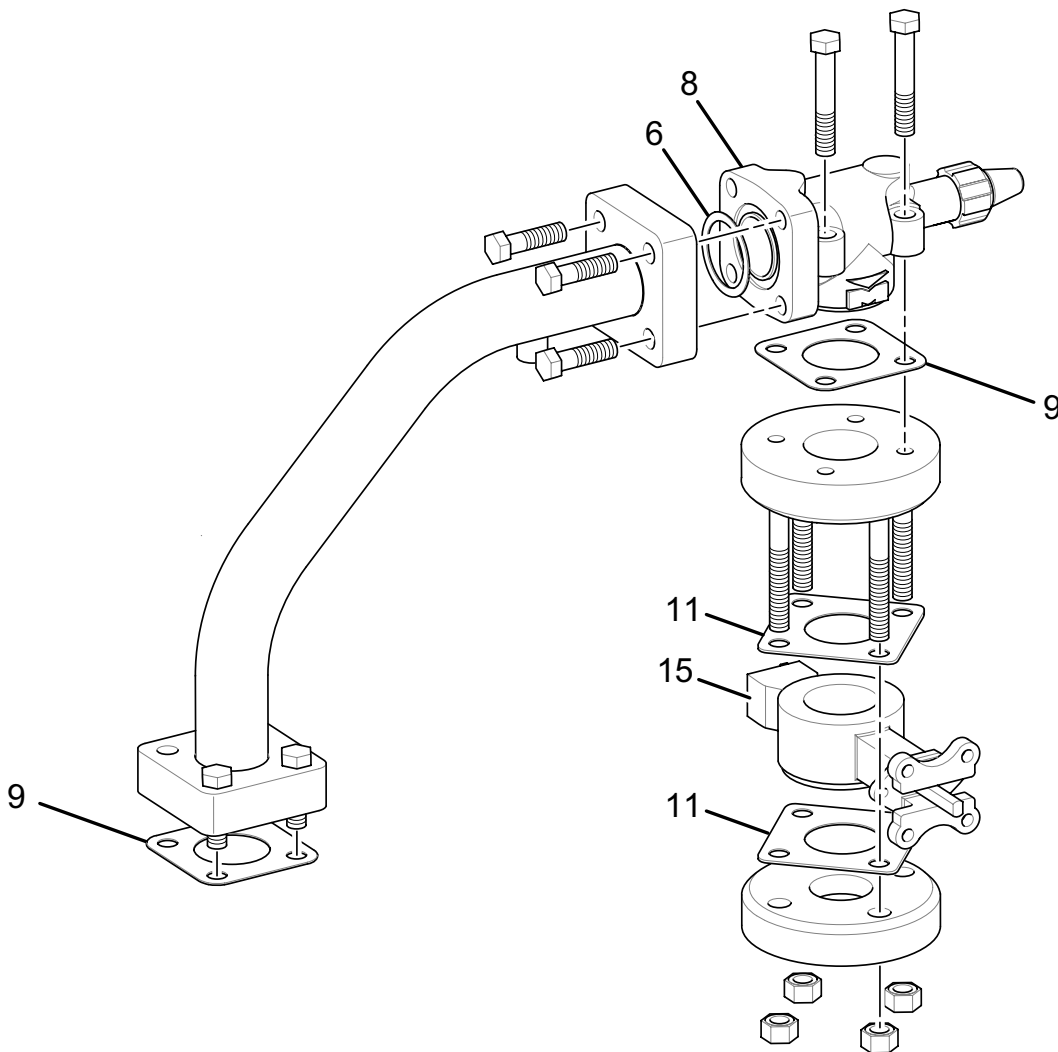


FIGURE 12 - HOT GAS KIT

LD17509

TABLE 8 - LIQUID LINE KIT EB25/CB21

ITEM	EVAP. CODE	CONDENSER CODE	DESCRIPTION	PART NUMBER	SAP	QUANTITY	FIGURE
6	EB25	CB21	Gasket Flange	028-14463-000	618665	2	13
8	EB25	CB21	Valve Stop Compr 2-5/8 Od	022-10048-000	617116	1	13
9	EB25	CB21	Gasket, 2" Isolation Valve	028-16786-002	1049400	2	13
11	EB25	CB21	Gasket, Round Ansi 2.00-300#	028-15075-055	741989	3	13
15	EB25	CB21	Valve Butterfly Size 2 (235 Lb.)	022-10642-002	617132	1	13
	EB25	CB21	Valve 300 Psi Butterfly (350 Lb.)	022-12078-002	820164	1	

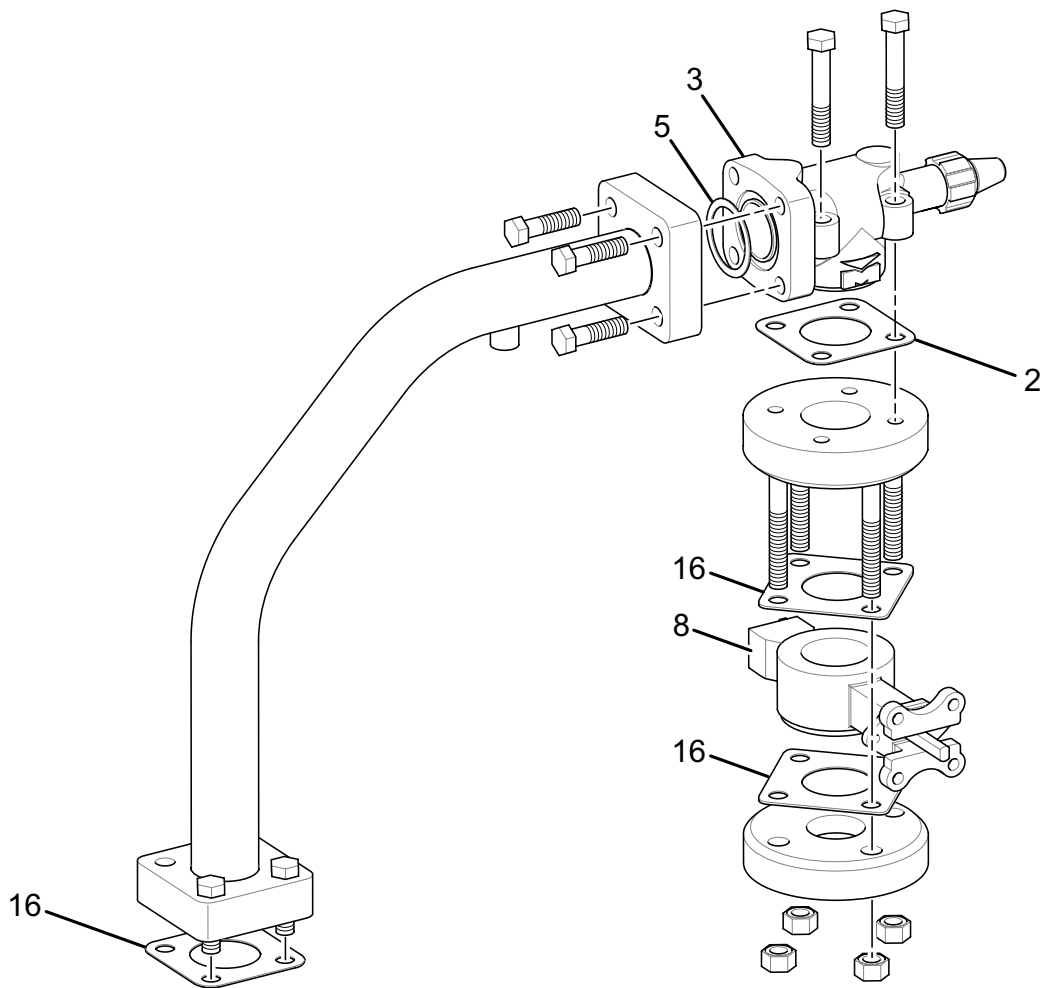


LD17494

FIGURE 13 - LIQUID LINE KIT EB25/CB21

TABLE 9 - LIQUID LINE KIT EB25-EB33 / CB25-CB33

ITEM	EVAP. CODE	CONDENSER CODE	DESCRIPTION	PART NUMBER	SAP	QUANTITY	FIGURE
2	EB25-EB33	CB25-CB33	Gasket, 2" Isolation Valve	028-16786-002	1049400	2	14
3	EB25-EB33	CB25-CB33	Valve Stop Compr 2-5/8 Od	022-10048-000	617116	1	14
5	EB25-EB33	CB25-CB33	Gasket Flange	028-14463-000	618665	1	14
8	EB25-EB33	CB25-CB33	Valve Butterfly Size 2 (235 Lb.)	022-10642-002	617132	1	14
	EB25-EB33	CB25-CB33	Valve 300 Psi Butterfly (350 Lb.)	022-12078-002	820164	1	
16	EB25-EB33	CB25-CB33	Gasket, Round Ansi 2.00-300#	028-15075-055	741989	2	14



LD17493

FIGURE 14 - LIQUID LINE KIT EB25-EB33 / CB25-CB33

TABLE 10 - 3/4" EVAPORATOR TUBES

EVAP CODE	LENGTH	TUBE QTY.	COPPER			COPPER NICKEL	
			0.025 WALL	0.028 WALL	0.035 WALL	0.028 WALL	0.035 WALL
			MT #271	MT #272	MT #273	MT #177	MT #179
EB25B	10'	216	007-10001-000	007-10002-000	007-10003-000	007-07877-000	007-07878-000
EB25C		242					
EB25B	14'	216	007-10007-000	007-10008-000	007-10009-000	007-08849-000	007-08850-000
EB25C		242					
EB29B	10'	299	007-10001-000	007-10002-000	007-10003-000	007-07877-000	007-07878-000
EB29C		329					
EB29B	14'	299	007-10007-000	007-10008-000	007-10009-000	007-08849-000	007-08850-000
EB29C		329					
EB33B	10'	370	007-10001-000	007-10002-000	007-10003-000	007-07877-000	007-07878-000
EB33C		474					
EB33B	14'	370	007-10007-000	007-10008-000	007-10009-000	007-08849-000	007-08850-000
EB33C		474					

EVAP CODE	LENGTH	TUBE QTY.	COPPER					
			0.025 WALL	0.028 WALL	0.035 WALL	0.025 WALL	0.028 WALL	0.035 WALL
			MT #321	MT #322	MT #323	MT #371	MT #372	MT #373
EB25B	10'	216	007-10194-000	007-10195-000	007-10196-000	007-10673-000	007-10674-000	007-10675-000
EB25C		242						
EB25B	14'	216	007-10199-000	007-10200-000	007-10201-000	007-10647-000	007-10648-000	007-10649-000
EB25C		242						
EB29B	10'	299	007-10194-000	007-10195-000	007-10196-000	007-10673-000	007-10674-000	007-10675-000
EB29C		329						
EB29B	14'	299	007-10199-000	007-10200-000	007-10201-000	007-10647-000	007-10648-000	007-10649-000
EB29C		329						
EB33B	10'	370	007-10194-000	007-10195-000	007-10196-000	007-10673-000	007-10674-000	007-10675-000
EB33C		474						
EB33B	14'	370	007-10199-000	007-10200-000	007-10201-000	007-10647-000	007-10648-000	007-10649-000
EB33C		474						

TABLE 11 - 1" EVAPORATOR TUBES

EVAP CODE	LENGTH	TUBE QTY.	COPPER			
			0.025 WALL	0.028 WALL	0.035 WALL	0.025 WALL
			MT #286	MT #287	MT #288	MT #326
EB252	10'	98	007-10433-000	007-10434-000	007-1035-000	007-10427-000
EB253		120				
EB252	14'	98	007-10086-000	007-10087-000	007-10088-000	007-10215-000
EB253		120				
EB292	10'	122	007-10433-000	007-10434-000	007-1035-000	007-10427-000
EB293		165				
EB292	14'	122	007-10086-000	007-10087-000	007-10088-000	007-10215-000
EB293		165				
EB332	10'	130	007-10433-000	007-10434-000	007-1035-000	007-10427-000
EB333		232				
EB332	14'	130	007-10086-000	007-10087-000	007-10088-000	007-10215-000
EB333		232				

EVAP CODE	LENGTH	TUBE QTY.	COPPER				
			0.028 WALL	0.035 WALL	0.025 WALL	0.028 WALL	0.035 WALL
			MT #327	MT #328	MT #376	MT #377	MT #378
EB252	10'	98	007-10428-000	007-10429-000	007-10676-000	007-10677-000	007-10678-000
EB253		120					
EB252	14'	98	007-10215-000	007-10217-000	007-10656-000	007-10657-000	007-10658-000
EB253		120					
EB292	10'	122	007-10428-000	007-10429-000	007-10676-000	007-10677-000	007-10678-000
EB293		165					
EB292	14'	122	007-10215-000	007-10217-000	007-10656-000	007-10657-000	007-10658-000
EB293		165					
EB332	10'	130	007-10428-000	007-10429-000	007-10676-000	007-10677-000	007-10678-000
EB333		232					
EB332	14'	130	007-10215-000	007-10217-000	007-10656-000	007-10657-000	007-10658-000
EB333		232					

TABLE 12 - EVAPORATOR WATERBOX GASKETS (COMPACT)

150# COMPACT WATERBOX						
CONDENSER CODE	1 PASS		2 PASS		3 PASS	
	GASKET P/N	FEET REQ'D	GASKET P/N	FEET REQ'D	GASKET P/N	FEET REQ'D
EB25	028-09951-000	13.5'	028-09951-000	15.6'	028-09951-000	17.5'
EB29	028-09951-000	15.6'	028-09951-000	18'	028-09951-000	20.1'
EB33	028-09951-000	17.6'	028-09951-000	20.4'	028-09951-000	22.5'
300# COMPACT WATERBOX						
CONDENSER CODE	1 PASS		2 PASS		3 PASS	
	GASKET P/N	FEET REQ'D	GASKET P/N	FEET REQ'D	GASKET P/N	FEET REQ'D
EB25	028-03242-000	13.7'	028-09951-001	2.2'	028-09951-001	3.9'
			028-03242-000	13.7'	028-03242-000	13.7'
EB29	028-03242-000	15.9'	028-09951-001	2.4'	028-09951-001	4.6'
			028-03242-000	15.9'	028-03242-000	15.9'
EB33	028-03242-000	18'	028-09951-001	2.7'	028-09951-001	4.9'
			028-03242-000	18'	028-03242-000	18'

NOTE: When ordering Gasket Material specify length required by replacing the -000 with either -025 for 25', -050 for 50', or -100 for 100'.

TABLE 13 - EVAPORATOR WATERBOX GASKETS (MARINE)

150# COMPACT WATERBOX						
CONDENSER CODE	1 PASS		2 PASS		3 PASS	
	GASKET P/N	FEET REQ'D	GASKET P/N	FEET REQ'D	GASKET P/N	FEET REQ'D
EB25	028-09951-000	27'	028-09951-000	24.2'	028-09951-000	35'
EB29	028-09951-000	31.5'	028-09951-000	28.4'	028-09951-000	40.5'
EB33	028-09951-000	35.3'	028-09951-000	23'	028-09951-000	46'
300# COMPACT WATERBOX						
CONDENSER CODE	1 PASS		2 PASS		3 PASS	
	GASKET P/N	FEET REQ'D	GASKET P/N	FEET REQ'D	GASKET P/N	FEET REQ'D
EB25	028-03242-000	29.2'	028-09951-001	4.1'	028-09951-001	7.8'
			028-03242-000	21.9'	028-03242-000	29.2'
EB29	028-03242-000	31.6'	028-09951-001	5.1'	028-09951-001	8.9'
			028-03242-000	23.6'	028-03242-000	32'
EB33	028-03242-000	35.8'	028-09951-001	5.4'	028-09951-001	10.4'
			028-03242-000	27'	028-03242-000	35.8'

NOTE: When ordering Gasket Material specify length required by replacing the -000 with either -025 for 25', -050 for 50', or -100 for 100'.

TABLE 14 - CONDENSER TUBES 3/4" TUBES

COND. CODE	LENGTH	TUBE QTY.	COPPER			COPPER NICKEL		COPPER	
			0.025 WALL	0.028 WALL	0.035 WALL	0.028 WALL	0.035 WALL	0.028 WALL	0.035 WALL
			MT #260	MT #261	MT #262	MT #201	MT #203	MT #225	MT #226
CB21B	10'	138/16	007-09288-000	007-09280-000	007-09281-000	007-07881-000	007-07876-000	007-08508-000	007-08897-000
CB21C		178/16							
CB21D		200/16							
CB21E		228/16							
CB25B	10'	223/24	007-09288-000	007-09280-000	007-09281-000	007-07881-000	007-07876-000	007-08508-000	007-08897-000
CB25C		260/24							
CB25D		331/24							
CB25E		419/24							
CB25B	14'	223/24	007-09262-000	007-09263-000	007-09264-000	007-09859-000	007-09860-000	007-08650-000	007-08641-000
CB25C		260/24							
CB25D		331/24							
CB25E		419/24							
CB29B	10'	323/44	007-09288-000	007-09280-000	007-09281-000	007-07881-000	007-07876-000	007-08508-000	007-08897-000
CB29C		394/44							
CB29D		470/44							
CB29E		513/44							
CB29F		575/44							
CB29B	14'	323/44	007-09262-000	007-09263-000	007-09264-000	007-09859-000	007-09860-000	007-08650-000	007-08641-000
CB29C		394/44							
CB29D		470/44							
CB29E		513/44							
CB29F		575/44							
CB33B	10'	451/52	007-09288-000	007-09280-000	007-09281-000	007-07881-000	007-07876-000	007-08508-000	007-08897-000
CB33C		549/52							
CB33D		735/52							
CB33E		823/52							
CB33B	14'	451/52	007-09262-000	007-09263-000	007-09264-000	007-09859-000	007-09860-000	007-08650-000	007-08641-000
CB33C		549/52							
CB33D		735/52							
CB33E		823/52							

TABLE 15 - CONDENSER TUBES 1" TUBES

CONDENSER CODE	LENGTH	TUBE QTY.	COPPER			
			0.025 WALL	0.028 WALL	0.035 WALL	0.028 WALL
			MT #260	MT #261	MT #262	MT #261
CB212	10'	89/16	007-10439-000/	007-10440-000/	007-10441-000/	007-10446-000/
CB213		127/16	007-09288-000	007-09280-000	007-09281-000	007-09280-000
CB252	10'	135/24	007-10439-000/	007-10440-000/	007-10441-000/	007-10446-000/
CB253		201/24	007-09288-000	007-09280-000	007-09281-000	007-09280-000
CB252	14'	135/24	007-10054-000/	007-10055-000/	007-10056-000/	007-10120-000/
CB253		201/24	007-09262-000	007-09263-000	007-09264-000	007-09263-000
CB292	10'	207/44	007-10439-000/	007-10440-000/	007-10441-000/	007-10446-000/
CB293		259/44	007-09288-000	007-09280-000	007-09281-000	007-09280-000
CB292	14'	207/44	007-10054-000/	007-10055-000/	007-10056-000/	007-10120-000/
CB293		259/44	007-09262-000	007-09263-000	007-09264-000	007-09263-000
CB332	10'	235/52	007-10439-000/ 007-09288-000	007-10440-000/ 007-09280-000	007-10441-000/ 007-09281-000	007-10446-000/ 007-09280-000
CB333		285/52				
CB334		391/52				
CB332	14'	235/52	007-10054-000/ 007-09262-000	007-10055-000/ 007-09263-000	007-10056-000/ 007-09264-000	007-10120-000/ 007-09263-000
CB333		285/52				
CB334		391/52				

TABLE 16 - CONDENSER WATERBOX GASKETS (COMPACT)

150# COMPACT WATERBOX						
CONDENSER CODE	1 PASS		2 PASS		3 PASS	
	GASKET P/N	FEET REQ'D	GASKET P/N	FEET REQ'D	GASKET P/N	FEET REQ'D
CB21	028-09951-000	11.5'	028-09951-000	13.5'	028-09951-000	15'
CB25	028-09951-000	13.5'	028-09951-000	16'	028-09951-000	18'
CB29	028-09951-000	16'	028-09951-000	18.5'	028-09951-000	20.5'
CB33	028-09951-000	18'	028-09951-000	20.4'	028-09951-000	23'
300# COMPACT WATERBOX						
CONDENSER CODE	1 PASS		2 PASS		3 PASS	
	GASKET P/N	FEET REQ'D	GASKET P/N	FEET REQ'D	GASKET P/N	FEET REQ'D
CB21	028-03242-000	12'	028-09951-001	1.8'	028-09951-001	3.5'
			028-03242-000	12'	028-03242-000	12'
CB25	028-03242-000	14'	028-09951-001	2.1'	028-09951-001	4.1'
			028-03242-000	14'	028-03242-000	14'
CB29	028-03242-000	15.8'	028-09951-001	2.5'	028-09951-001	4.8'
			028-03242-000	15.8'	028-03242-000	15.8'
CB33	028-03242-000	17.8'	028-09951-001	2.8'	028-09951-001	5.4'
			028-03242-000	17.8'	028-03242-000	17.8'

NOTE: When ordering Gasket Material specify length required by replacing the -000 with either -025 for 25', -050 for 50', or -100 for 100'.

TABLE 17 - CONDENSER WATERBOX GASKETS (MARINE)

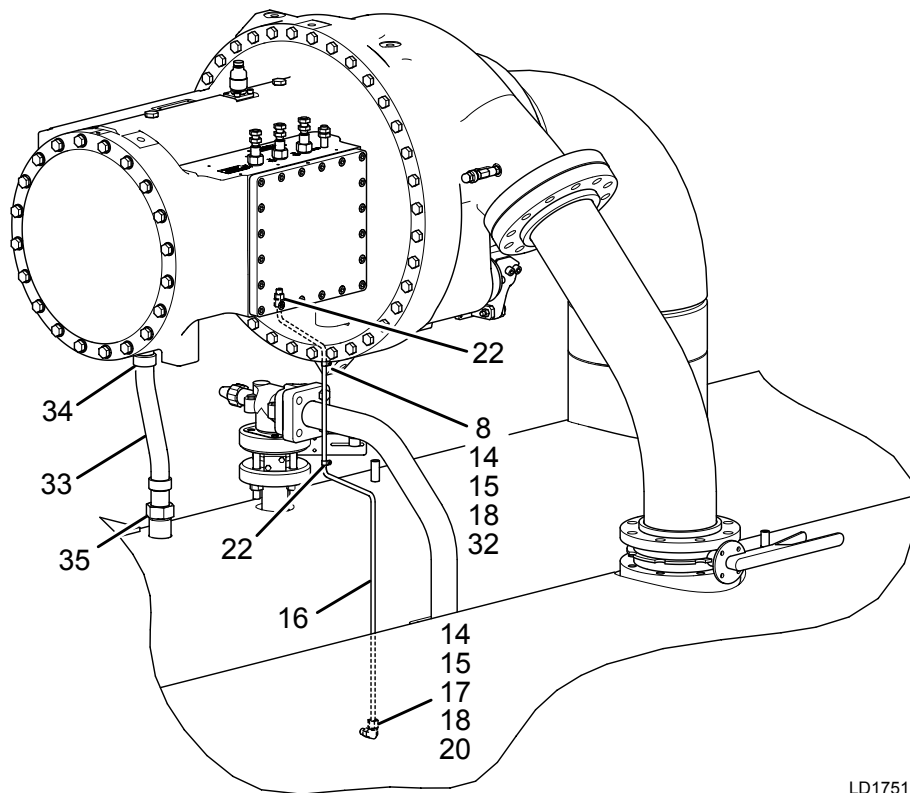
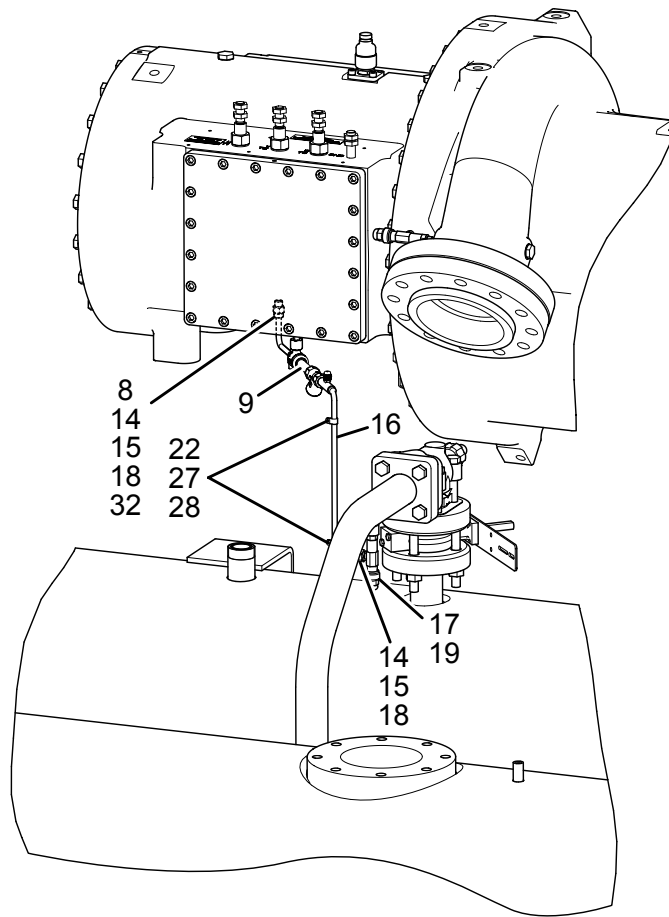
150# MARINE WATERBOX						
CONDENSER CODE	1 PASS		2 PASS		3 PASS	
	GASKET P/N	FEET REQ'D	GASKET P/N	FEET REQ'D	GASKET P/N	FEET REQ'D
CB21	028-09951-000	22.7'	028-09951-000	20.7'	028-09951-000	29.7'
CB25	028-09951-000	27.2'	028-09951-000	24.6'	028-09951-000	35.4'
CB29	028-09951-000	31.5'	028-09951-000	28.5'	028-09951-000	41'
CB33	028-09951-000	35.2'	028-09951-000	32'	028-09951-000	46'
300# MARINE WATERBOX						
CONDENSER CODE	1 PASS		2 PASS		3 PASS	
	GASKET P/N	FEET REQ'D	GASKET P/N	FEET REQ'D	GASKET P/N	FEET REQ'D
CB21	028-03242-000	23.2'	028-09951-001	3.6'	028-09951-001	7'
			028-03242-000	17.4'	028-03242-000	23.2'
CB25	028-03242-000	27.4'	028-09951-001	4.5'	028-09951-001	8.5'
			028-03242-000	20.7'	028-03242-000	27.4'
CB29	028-03242-000	31.6'	028-09951-001	4.9'	028-09951-001	9.5'
			028-03242-000	23.6'	028-03242-000	32'
CB33	028-03242-000	35.6'	028-09951-001	6'	028-09951-001	11'
			028-03242-000	26.7'	028-03242-000	35.6'

NOTE: When ordering Gasket Material specify length required by replacing the -000 with either -025 for 25', -050 for 50', or -100 for 100'.

TABLE 18 - SYSTEM PIPING

ITEM	OBJECT DESCRIPTION	PART NUMBER	SAP	QUANTITY	FIGURE
8	Metric Connr 3/8" O.D. Tube	023-25284-016	734184	2	15
9	Valve / Strainer YMC2	022-12044-000	731484	1	15
14	Sleeve 3/8 O.D. Tube	023-18978-000	146244	4	15
15	Nut 3/8 O.D. Tube	023-18977-000	146243	4	15
16	Tube Steel 3/8 Od X .035 X	003-00969-000	588251	9.5'	15
17	O-Ring Neo1 00.468ld .078Thk M	028-12961-003	588818	2	15
18	O-Ring Neo1 00.364ld .070Thk M	028-12961-012	618648	4	15
19	Valve Stop Ang Vertical	022-10054-000	617117	1	15
20	Elbow 3/8 O.D.Tube 90 Deg Male	023-18980-000	146246	1	15
22	Clamp Tube 3/8 Od With	023-06552-000	146424	4	15
27	Screw Mach Pan Hd Recd 1	021-01722-000	616693	2	15
28	Nut Hex Mach Scr #8 - 32	021-08661-000	729477	2	15
32	O-Ring Hnbr 00.524ld .087Thk M	028-16398-016	706281	2	15
33	Hose, Motor Cooling Braided Flex	026-46971-001	986006	1	15
34	O-Ring Hnbr 01.756ld .114Thk M	028-16398-048	706284	1	15
35	O-Ring Neo1 01.489ld .070Thk M	028-12961-019	618655	1	15

NOTE: Items with an * are NOT represented.



LD17511

FIGURE 15 - SYSTEM PIPING

TABLE 19 - EVAPORATOR RELIEF VALVE KIT

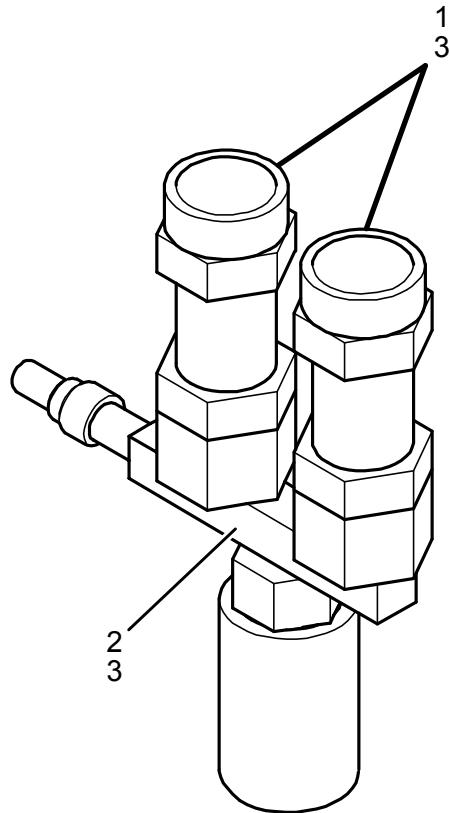
ITEM	DESCRIPTION	PART NUMBER	SAP	QUANTITY	FIGURE
1	Valve, Relief 1-5/16 -12Un-2A (Dual)	022-10078-000	4102	2	16
	Valve, Relief 1-5/16 -12Un-2A (Single)			1	
	Valve, Relief 1-5/8 -12Un-2A (Dual)	022-10079-000	3962	2	
	Valve, Relief 1-5/8 -12Un-2A (Single)			1	
2	Valve, Stop 3 Way 1-5/16	022-10073-000	4103	1	16
	Valve, Stop 3 Way 1-5/8	022-10074-000	4104	1	
3	O-Ring Neo1 01.171ld .116Thk M (Dual)	028-12961-008	588822	3	16
	O-Ring Neo1 01.171ld .116Thk M (Single)			1	
	O-Ring Neo1 01.475ld .118Thk M (Dual)	028-12961-017	618653	3	
	O-Ring Neo1 01.475ld .118Thk M (Single)			1	

NOTE: Items with an * are NOT represented.

TABLE 20 - CONDENSER RELIEF VALVE KIT

ITEM	DESCRIPTION	PART NUMBER	SAP	QUANTITY	FIGURE
1	Valve, Relief 1-5/16 -12Un-2A	022-10078-000	4102	2	16
	Valve, Relief 1-5/8 -12Un-2A	022-10079-000	3962	2	
2	Valve, Stop 3 Way 1-5/16	022-10073-000	4103	1	16
	Valve, Stop 3 Way 1-5/8	022-10074-000	4104	1	
3	O-Ring Neo1 01.171ld .116Thk M	028-12961-008	588822	3	16
	O-Ring Neo1 01.475ld .118Thk M	028-12961-017	618653	3	

NOTE: Items with an * are NOT represented.



LD17512

FIGURE 16 - EVAPORATOR RELIEF VALVE KIT

TABLE 21 - OPTIVIEW CONTROL PANEL

ITEM	DESCRIPTION	PART NUMBER	SAP	QUANTITY	FIGURE
1	Enclosure,YMC2 M2, Ctrl Pnl	371-05619-311	774289	1	17/18
2	Holder Instruct, YMC2, Ctrl Pnl	071-05568-320	749301	1	18
3	Control I/O Board	031-01743-002	743822	1	17
4	Bussbar, Unperforated Weidmulle	071-05619-320	740502	1	17
6	Clamp, Ribbon Wire, Gray	025-25156-000	737712	2	17
7	Clamp, Ribbon Wire Gray,	025-29103-000	738253	1	18
10	OptiView Microprocessor Board M2	031-02430-007	990690	1	17
13	Power Supply	025-34111-000	1386	1	17
14	Class 2 Stepdown Transformer	025-30889-000	738521	1	17
15	Wiring, Pwr Supply, YMC2	571-05568-251	807116	1	17
16	Switch, Keypad, YMC2, Optiview	024-37399-000	736452	1	18
17	Fuse, 4A, 500V, 10X38mm	025-43736-000	740354	3	17
23	Fastener, Pawl Adj 1/8 To	021-17252-000	730034	1	18
27	Gasket, 1/16 X 1/2 Neoprene	071-05170-000	749141	1	18
28	Kit, Display Panel	331-01771-000	770400	1	18
29	Switch, PB, E-Stop 2 N.C.	025-43677-000	740330	1	17
30	Switch, PB Legend Plate	025-44646-000	740573	1	17
32	Ribbon, Cable Panel	031-01772-000	743825	1	17
34	Ribbon, Cable Panel	031-01779-000	63158	1	17
41	Strap, Grounding	025-32505-001	738720	1	18
45	Wire Duct, 1X3x6lg, Gray	025-43675-000	740328	6.6'	17
46	Wire Duct Cover, 1X1 Gray	025-43676-000	740329	6.6'	17
49	Connector Recp Hsg, 9 Pos	025-38171-000	117999	2	17
50	Connector Recp Hsg, 9 Pos	025-37873-000	739490	2	17
52	Spacer, Round 1/4 Od X .125 Id	021-33239-000	731074	4	17
63	Spacer, Plastic, 3/8 Od X 1	021-19173-000	730387	4	18
71	Mount Anti-Vibration	021-19191-000	730394	4	17
74	Surge Suppressor	031-00808-000	618876	6	*
76	Clamp, Ferrite Sleeve Snap	025-34175-000	739022	1	*
77	Fuse, Microfuse, 5 Amp,	025-34592-000	48817	1	*
85	Clamp, Flat Cable Ferrite	025-34172-000	739020	1	17
101	Wiring Main Harness	371-05619-241	991341	1	*
106	Control, LTC I/O, YMC2 Standard	031-02895-002	865032	1	17
108	Control VGD Stall Detector Board	031-02418-001	360270	1	17
110	Program Cards	031-03074-002	744227	1	*
111	Cable, Stall Detector Cable	571-04118-401	806973	1	17
112	Spacer, Round #8-32x5 Lg	021-19668-000	730522	28	17
115	Cap, Sealing Electrical Connr	028-15121-000	742077	2	17

NOTE: Items with an * are NOT represented.

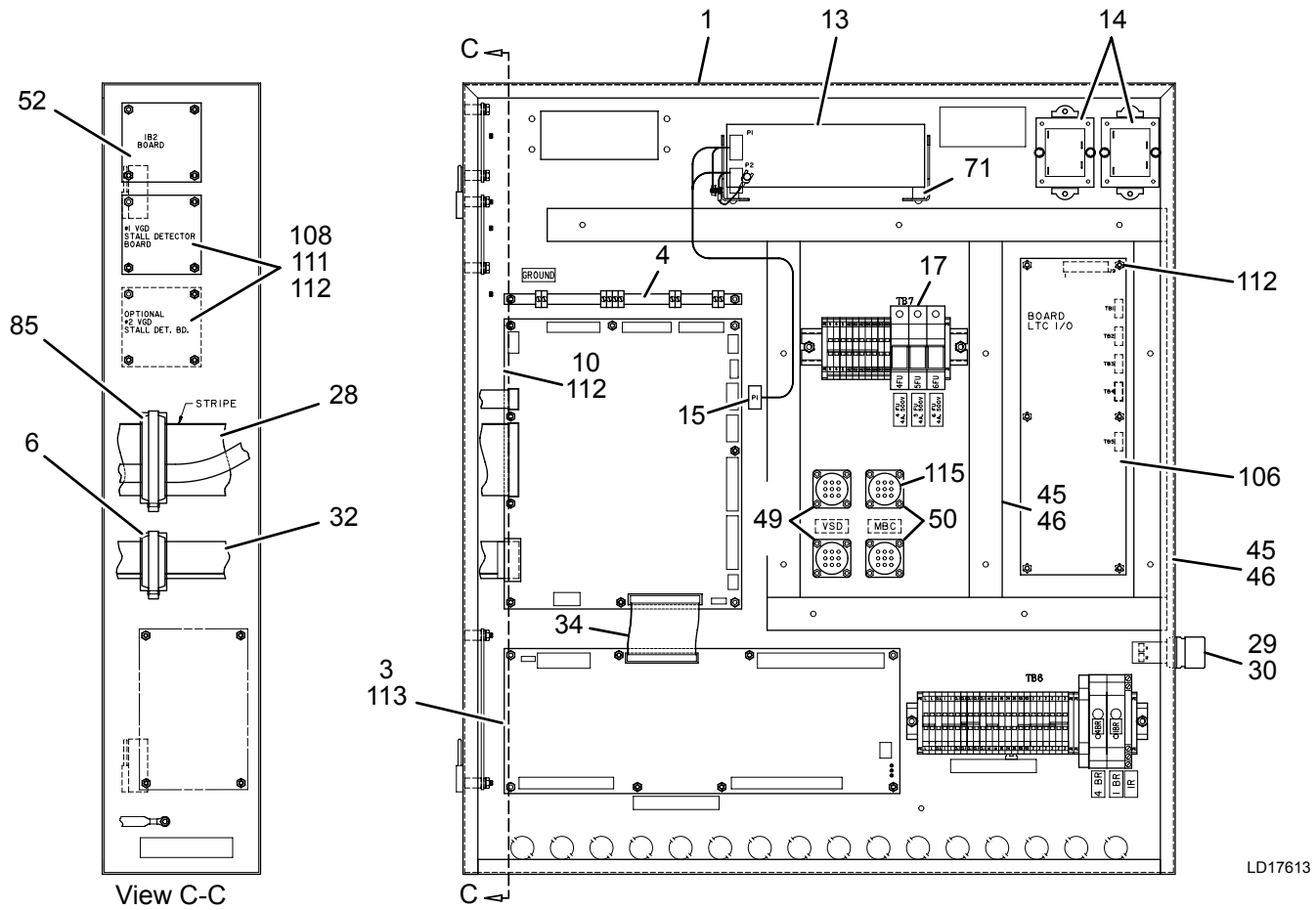
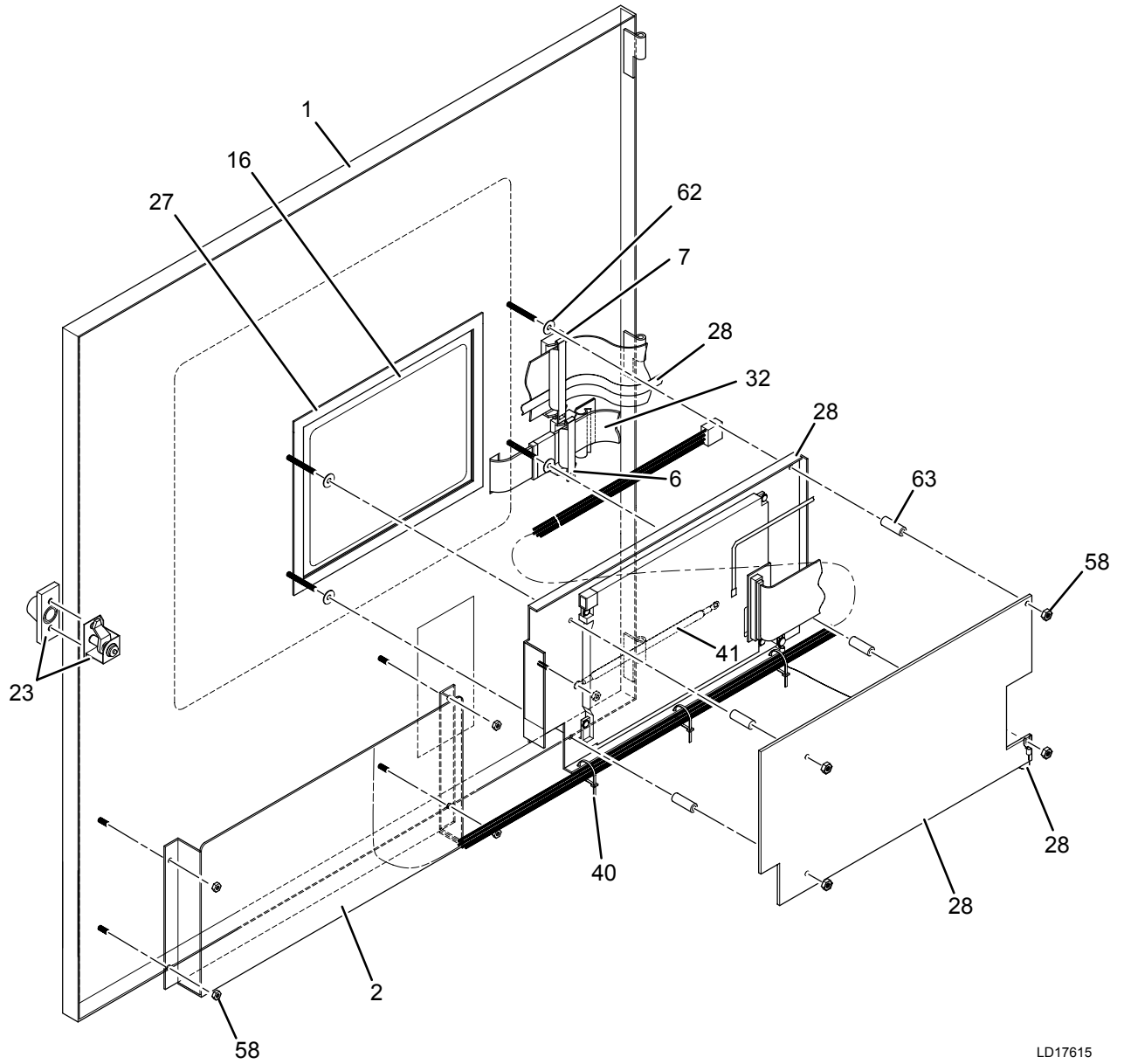


FIGURE 17 - OPTIVIEW CONTROL PANEL



LD17615

FIGURE 18 - OPTIVIEW CONTROL PANEL

TABLE 22 - SYSTEM WIRING

ITEM	DESCRIPTION	PART NUMBER	SAP	QUANTITY
1	Sensor Temp 3000 Ohms	025-29964-000	401192	5
2	Comp Heat Conductive 4 Oz	013-00898-000	616572	-
36	Sensor Level R-134A	025-46044-006	588023	1
37	Gasket, Seal 1 Od X 7/8 Id X	028-04836-000	62960	1
52	Sensor Flow 1/4" Npt Conn	025-43553-000	618247	2
55	O-Ring Neo1 00.644Id .087Thk M	028-12961-004	588819	2
56	Sensor, Temp 50,000 Ohms Din	025-44007-000	740395	1
66	Well Thermo	026-32328-000	1467	4
70	Connector Plug Hsg, 2 Position	025-28951-000	62724	4
71	Contact Receptacle, 070 Series	025-28952-000	260	8
72	Collar Rubber, Black, 070	025-28950-000	65212	8
74	Contact Socket Mini Universal	025-28386-000	737925	3
82	Connector, Micro 5 Pole	025-42799-000	740141	2
114	Actuator, Electric	025-38180-000	59351	1
115	Pin Actuator Locator	075-52089-000	143122	2
118	Valve, Ball M18 1.5M X 1/2-20	022-12039-000	731481	1
119	Transducer, Pressure	025-28678-115	738190	1
120	O-Ring Neo1 00.414Id .072Thk M	028-12961-002	683003	2
121	Transducer Pressure	025-28678-006	246	1
122	Transducer Pressure R-22 & 134	025-40088-000	144689	1
123	O-Ring Neo1 00.644Id .087Thk M	028-12961-004	588819	1
124	Connector, Multi Control	025-37887-000	117989	1
130	HARNESS YMC2 M2 SS OP TO MBC	392-03209-220	805191	1
**	Connector, Recp Housing, 9 pos, Square (OV End)	025-37873-000	739490	1
	Connector, Plug Housing, 9 pos (OV End)	025-37872-000	739489	1
	Contact Pins, 18-14 awg (OV End)	025-37874-000	117986	8
	Adapter, Straight, Metal for 1/2" Conduit (OV End)	025-45922-000	991366	8
	Contact Socket, 16 awg, 1.5mm (OV End)	025-45906-000	991351	8
	Conduit, Flex Steel, Liquid Tight, 1/2"	025-12462-000	117064	148"
	Wire, 16 awg, Black, 105C, 600V	025-34004-000	738969	1200"
	Connector Housing, Sz 1 (MBC End)	025-45902-000	991347	1
	Connector Housing, Heavy Duty, Sz 1 (MBC End)	025-45901-000	991346	1
	Connector, Flex Angle, 90 Deg, 1/2" (MBC End)	025-37869-000	739488	1
**	Connector Housing, 8 pos (MBC End)	025-45897-000	993785	1

TABLE 22 - SYSTEM WIRING (CONT'D)

ITEM	DESCRIPTION	PART NUMBER	SAP	QUANTITY
134	HARNESS YMC2 M2 SS OP TO VSD	392-03209-224	805194	1
**	Connector Recp Housing, 9 pos, Square Flange (OV End)	025-38171-000	117999	1
	Connector Plug Housing, 9 pos (OV End)	025-38172-000	739489	1
	Contact Socket, 18-14 awg (OV End)	025-37875-000	738491	8
	Connector, Flex Angle, 90 Deg, 1/2" (OV End)	025-37869-000	739488	1
	Conduit, Flex Steel, Liquid Tight, 1/2"	025-12462-000	117064	122"
	Wire, 18 awg, Black 105C, 600V	025-08913-000	588753	372"
	Wire, 14 awg, Black 105C, 600V	025-34005-000	738970	372"
	Wire, 14 awg, Green/Yellow 105C, 600V	025-34027-000	738983	124"
	Wire, 14 awg, Whits 105C, 600V	025-34106-000	738994	124"
	Connector, Conduit Flex Angle, 90 deg, 1/2" (VSD End)	025-41835-000	827630	1
	Contact Pin, 18-14 awg (VSD End)	025-37874-000	117986	8
	Connector, Plug Housing, 19 pos (VSD End)	025-44973-000	828161	1
135	HARNESS YMC2 M2SS VSD TO MOTOR	392-03209-225	805195	1
	Terminal, Ring Tongue 2/0 awg, 5/8" stud (Motor End)	025-43898-000	740367	8
	Wire, 2/0 awg, Black 150C, 600V	025-32945-000	738780	280"
	Terminal, Ring Tongue 2/0 awg, 3/8" stud (VSD End)	025-37803-000	-	6
136	SHIELDED CABLE ASSY YMC2 M2 SS	392-17591-410	1055958	1
	Connector Housing, Plug, 4 pos (MBC End)	025-45917-000	991362	1
	Contact Socket, 20 awg, Sz 16 (MBC End)	025-45920-000	991365	3
	Contact Filler, Blank (MBC End)	025-45909-000	991354	1
	Strain Relief, Shell Sz 10 (MBC End)	025-45907-000	991352	1
	Connector, Signal Plug Housing, 12 Pins (VGD End)	025-45349-000	844520	1
	Contact, Socket, 18 awg Max. (VGD End)	025-45350-000	844811	10
	Contact, Socket, 14 awg Max. (VGD End)	025-45346-000	844518	2
	Connector Housing, Plug, 4 pos (Motor Housing Temp)	025-45917-000	991362	1
	Contact, Socket, 20 awg, Sz 16 (Motor Housing Temp)	025-45920-000	991365	2
	Contact Filler, Blank (Motor Housing Temp)	025-45909-000	991354	2
	Strain Relief, Shell Sz 10 (Motor Housing Temp)	025-45907-000	991352	1
	Flexible Cable Boot (OV End)	025-44558-000	740537	1
	Internal Cable Grip (OV End)	025-45732-000	911764	1
	Pin Signal Contact (VSD End)	025-40462-000	820625	5
	Connector, Plug Housing (VSD End)	025-37872-000	739489	1
140	HARNESS YMC2 M2 SS MBC TO VSD	392-03209-227	805196	1
**	Connector Housing, Receptacle, 4 pos Metal (MBC End)	025-45915-000	991360	1
	Connector Housing, Plug Sz 10, 4-pos (MBC End)	025-45917-000	991362	1
	Contact Socket, 20 awg, Sz 16 (MBC End)	025-45920-000	991365	2
	Contact, Filler (MBC End)	025-45909-000	991354	2
	Strain Relief, Shell Sz 10 (MBC End)	025-45907-000	991352	1
	Cable, 2-cond w shield, 20 awg.	025-33647-002	-	132"
	Flexible Cable Boot (VSD End)	025-44558-000	740537	1
	Internal Cable Grip (VSD End)	025-45732-000	911764	1
	Pin, Signal Contact (VSD End)	025-40462-000	820625	3
	Connector, Plug Housing, 9 pos (VSD End)	025-37872-000	739489	1

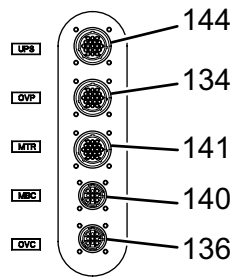
TABLE 22 - SYSTEM WIRING (CONT'D)

ITEM	DESCRIPTION	PART NUMBER	SAP	QUANTITY
141	HARNESS YMC2 M2 SS MBC TO VSD	392-03209-228	805197	1
**	Connector Recp Housing, sz 14, 12 pos (MBC End)	025-45916-000	991361	1
	Connector Housing, Plug, sz 14, 12 pos (MBC End)	025-45918-000	991363	1
	Contact Sockets, 20 awg (MBC End)	025-45920-000	991365	12
	Strain Relief, Sz 14 (MBC End)	025-45908-000	991353	1
	Wire, 12-cond, 20 awg	025-28387-000	737926	144"
	Heat Shrink Boot, Sz 23	025-45550-000	-	1
	Pin Signal Contact 20-24 awg (VSD End)	025-40462-000	820625	13
	Connector Housing Plug, 19 pos (VSD End)	025-44973-000	828161	1
144	HARNESS YMC2 M2 SS PDE TO VSD	392-03209-230	805198	1
	Connector, Plug Housing, 19 pos (VSD End)	025-44973-000	117986	1
	Contact, Pin 18-14 awg (VSD End)	025-37874-000	827630	8
	Connector, Conduit Flex Angle, 90 deg, 1/2" (VSD End)	025-41835-000	827630	1
	Conduit, Flex Steel, Liquid Tight, 1/2"	025-12462-000	618079	130"
	Wire, 14 awg, White 105C, 600V	025-34106-000	738994	268"
	Wire, 14 awg, Green/Yellow 105C, 600V	025-34027-000	738983	134"
	Wire, 14 awg, Black 105C, 600V	025-34005-000	738970	670"
	Contact Socket, 18-14 awg (Power Panel End)	025-37875-000	739491	8
	Connector, Flex Angle 90 deg, 1/2" (Power Panel End)	025-37869-000	739488	1
	Connector, Plug Housing, 9 pos (Power Panel End)	025-38172-000	118000	1
145	HARNESS YMC2 M2 SS PDE TO MBC	392-03209-231	805199	1
	Connector, Plug Housing, 9 pos (Power Panel End)	025-37872-000	739489	1
	Contact Pin, 18-14 awg (Power Panel End)	025-37874-000	827630	3
	Connector, Flex Angle 90 deg, 1/2" (Power Panel End)	025-37869-000	739488	1
	Adapter, Straight, Metal for 1/2" Conduit (Power Panel End)	025-45922-000	991366	1
	Conduit, Flex Steel, Liquid Tight, 1/2"	025-12462-000	117064	94"
	Wire, 16 awg, Red 105C, 600V	025-34018-000	738975	98"
	Wire, 16 awg, Black 105C, 600V	025-34004-000	738969	98"
	Wire, 16 awg, Green/Yellow 105C, 600V	025-34026-000	738982	98"
	Contact Socket, 16 awg (MBC End)	025-45906-000	991351	3
	Connector Housing, Sz 1 (MBC End)	025-45902-000	991347	1
	Connector Housing, Heavy Duty, Sz 1 (MBC End)	025-45901-000	991346	1
**	Connector, Housing, 8 pos (MBC End)	025-45897-000	991342	1
146	WIRING HARNESS, YMC2 M2 SS PDE TO VGD	392-17591-232	1055956	1
	Connector, Plug Housing, 9 pos (Power Panel End)	025-37872-000	739489	1
	Contact Pin 18-14 awg (Power Panel End)	025-37874-000	827630	3
	Internal Cable Grip (Power Panel End)	025-44557-000	740536	1
	Flexible Cable Boot (Power Panel End)	025-44558-000	740537	1
	Cable, 3-cond, Elec S/C 18 awg	025-46347-000	1057017	120"
	Contact Socket, 14 awg max. (VGD End)	025-45346-000	844518	3
	Connector, Plug Housing, 4 pos (VGD End)	025-45347-000	844519	1

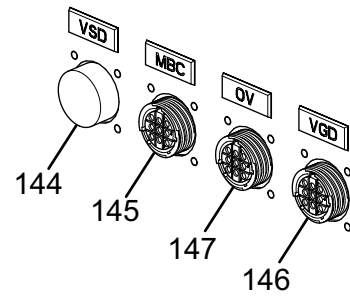
TABLE 22 - SYSTEM WIRING (CONT'D)

ITEM	DESCRIPTION	PART NUMBER	SAP	QUANTITY
147	WIRING HARNESS, YMC2 M2 SS PDE TO OV	392-17591-233	1055957	1
	Connector, Plug Housing, 9 pos (Power Panel End)	025-37873-000	739490	1
	Contact Pin, 24-20 awg (Power Panel End)	025-40462-000	820625	5
	Contact Pin 18-14 awg (Power Panel End)	025-37874-000	827630	2
	Network Cable	025-46334-000	1055326	150"
	Wire, Elec 18 awg	025-34003-000	738968	180"
	Connector, Conduit Flex Angle, 90 deg, 1/2" (OV End)	025-37869-000	739488	2
	Conduit, Flex Steel, Liquid Tight, 1/2"	025-12462-000	618079	148"
	Plug, Modular RJ12	025-46333-000	1055325	1

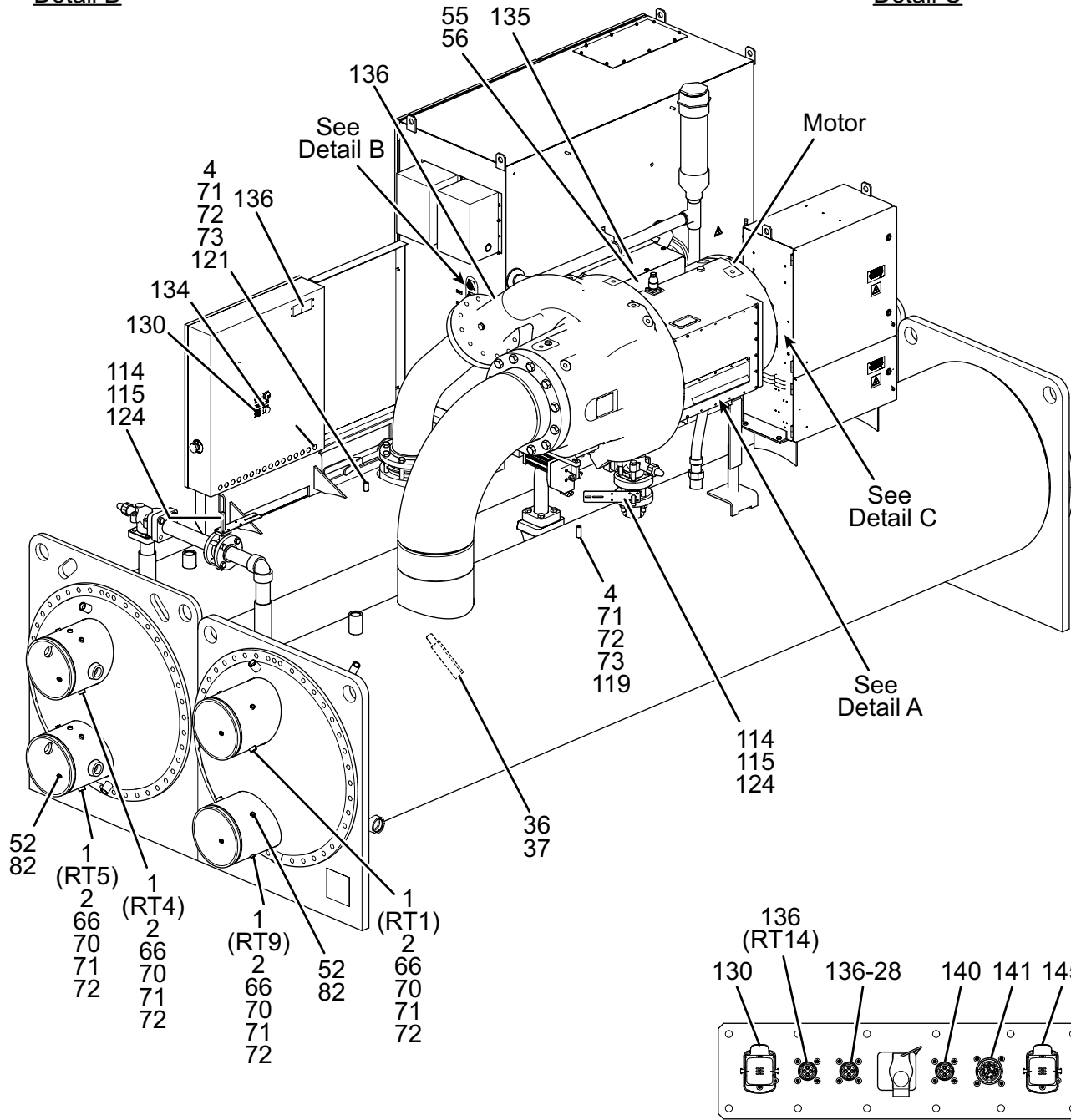
** = Not part of the Harness Assembly.



Detail B



Detail C



Detail A

LD14643a

FIGURE 19 - POWER PANEL

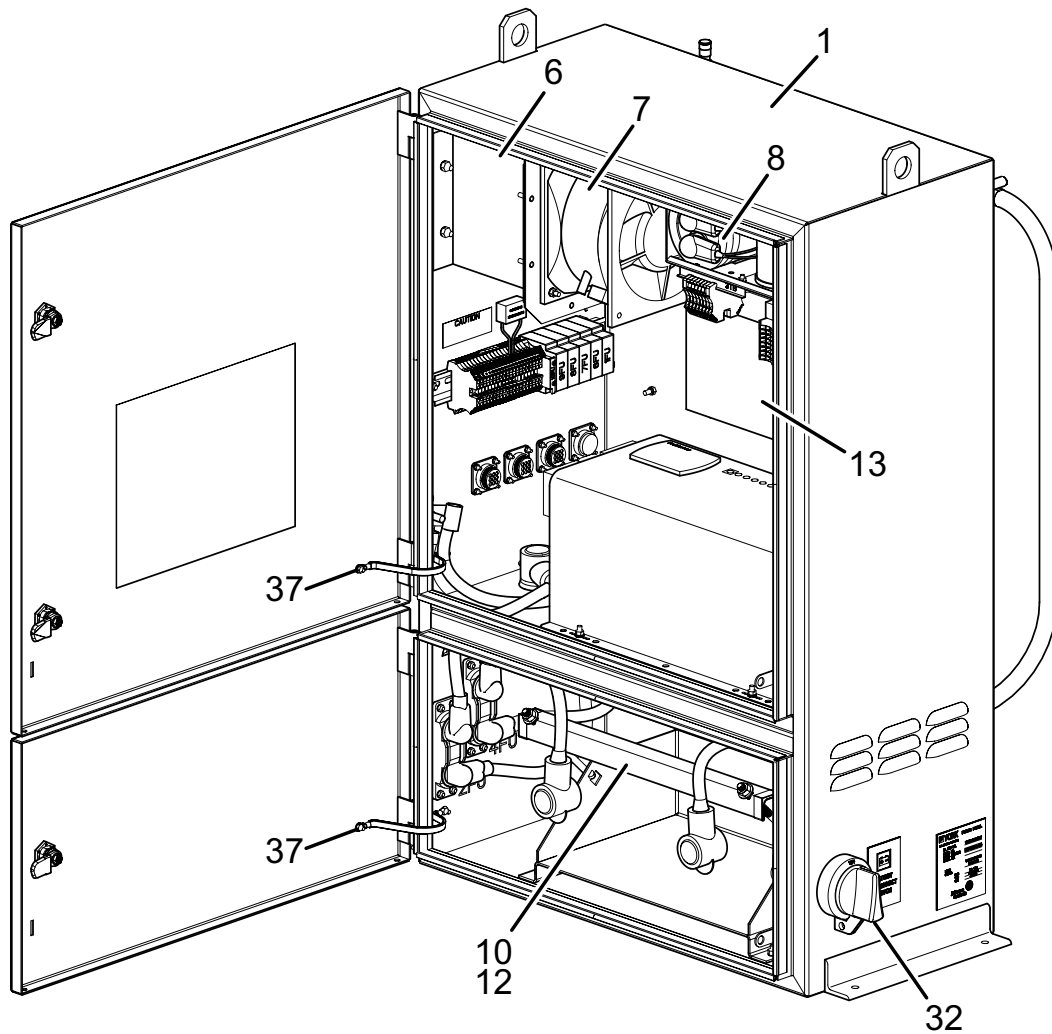
TABLE 23 - POWER PANEL

ITEM	DESCRIPTION	PART NUMBER	SAP	QUANTITY	FIGURE
1	PANEL, YMC2 POWER	371-06621-000	1055346	1	20
	Enclosure, Power Panel	371-06622-000	1055347	1	
	Door Assy, MBC Section	371-06208-000	864438	1	
	Door Assy, Battery Section	371-06179-000	864431	1	
	Seal-Edge Grip 13/64 In Dia Bulb	028-16690-000	864410	13	
	Battery	025-45516-000	864405	1	*
2	VGD, POWER SUPPLY	371-06625-000	1055349	1	21
	Psu In=230V 240W Varout=1 Standalone	025-46318-000	1055319	1	
	Bracket, Din Rail Mounting	025-46319-000	1055320	1	
	Clip, Din Rail Mounting	025-46320-000	1055321	1	
	Screw/Washer Assy (Sems)	021-30642-000	730619	2	
	Screw/Washer Assy (Sems)	021-33557-000	1055314	2	
3	UPS, Remote Panel Re-Location	225-45372-000	1055335	1	21
4	Flange Set Scr Oval 3/4" Npt	023-25592-000	864397	1	21
5	Pump Centrif Incl Mot 1.9M3/H 115V Ac 3P	026-46982-000	864408	1	21
6	Coil	026-46983-000	864409	1	20
7	Fan, Cooling 115V, 70W 330 Cfm	025-32557-000	738735	1	20
8	Filter, Lc & Emi YMC2	371-06540-000	913203	1	20
9	Adapter Barb 0.500In Npt(M) 0.500In	023-25591-000	864396	2	21
10	Bolt, Hold Down 5/16-18 X 5-7/8 Lg.	023-26154-000	1055316	2	20
11	Din Rail L=101.60Mm W=35.00Mm D=15.00Mm	071-05907-040	839899	1	21
12	Bar, Battery Hold Down	371-06624-000	1055348	1	20
13	MBC Power Supply	025-45373-000	864402	1	20
15	Adapter Comp 0.500In Nptf(F) 0.500In	023-25589-000	864394	1	21
16	Adapter Barb 0.500In Npt(M) 0.750In	023-25590-000	864395	2	21
18	Bushing, Pwr Copper Core (Red)	025-45991-000	993789	1	21
19	Bushing, Pwr Copper Core (Blk)	025-45992-000	993790	1	21
21	Mega Fuse Holder (Red)	025-45984-000	993782	1	21
22	Mega Fuse Holder (Black)	025-45985-000	993783	1	21
23	Mega Fuse 125A	025-45986-000	993784	2	21
25	Grommet 0.475 Id X 1.5625 Od	028-04805-000	2181	2	21
27	Hose Pvc Id=0.500In Clear	028-16692-000	864411	10	21
30	Adapter Barb 0.500In Pres 0.500In Polys	022-12384-000	864392	1	21
31	Valve, Shut Off Conn 1/2 Hose Brb Inline	022-12385-000	864393	1	21
32	Switch, Battery Disconnect	025-45993-000	993811	1	20
33	Adapter Comp 0.500In Nptf(M) 0.500In	023-25637-000	864398	1	21
34	Tee, Right Angle Reducing	023-26160-000	1055317	1	21
35	Schrader Housing	022-12666-000	1055315	1	21
37	Strap Grounding	025-32505-001	738720	2	20
38	Kit, Terminal Block YMC2	325-46327-000	1055336	1	21
41	Connr Cnd Flex Ang 1/2	025-33912-000	738931	1	21
47	Connr Cnd Flex Str 1/2	025-33916-000	738935	1	21
48	Cnd Elec Flex 1/2	025-12462-000	618079	1.2	21
50	Holder, Cable Tie	021-33463-000	913183	1	21
51	Assy, Outside Air Temp. Sensor	371-01180-223	771355	1	21

TABLE 23 - POWER PANEL (CONT'D)

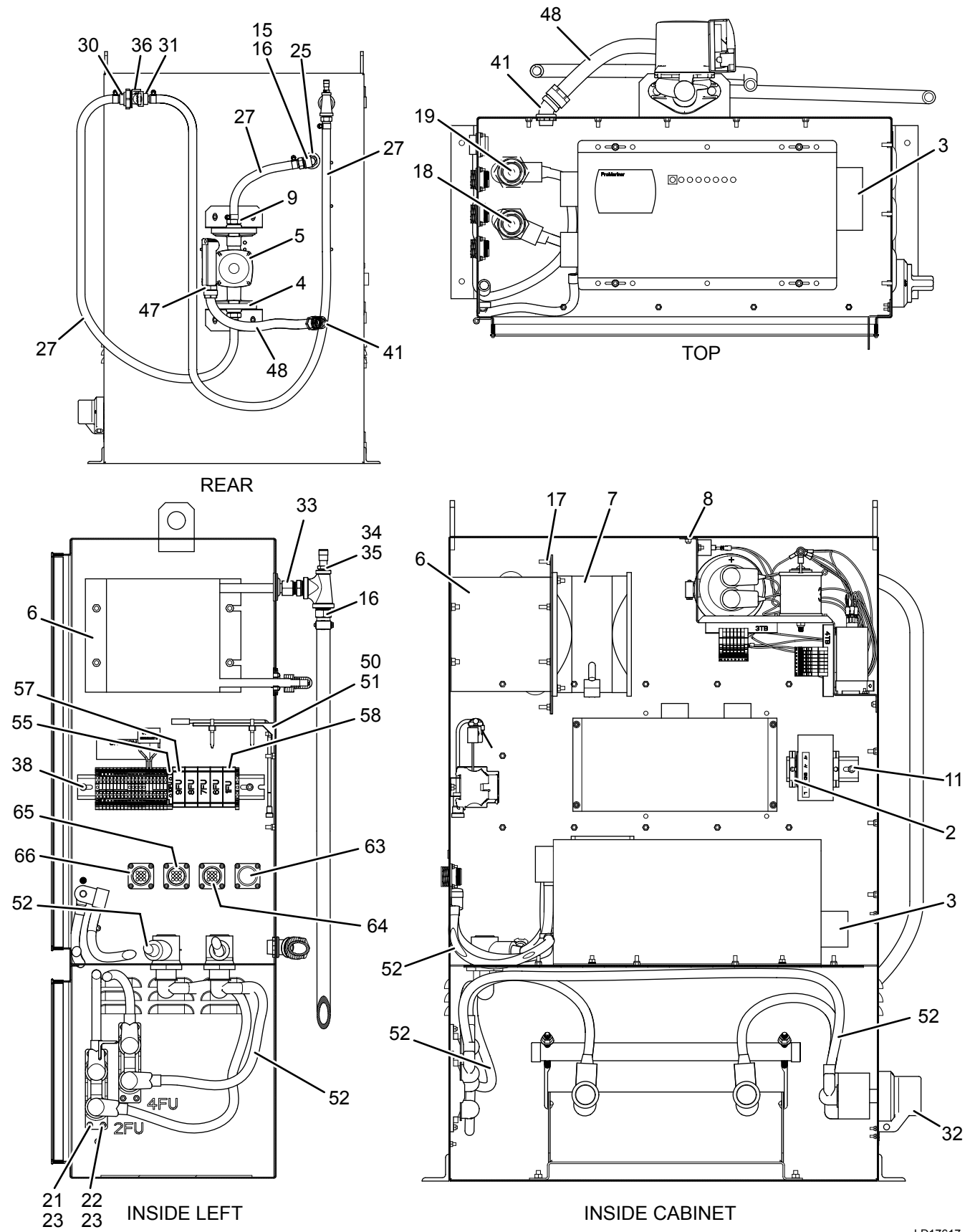
ITEM	DESCRIPTION	PART NUMBER	SAP	QUANTITY	FIGURE
55	Fuse Type=Wire 2.00A 250V GI	025-46332-000	1055324	1	21
57	Fuse, Cartridge Ty 6A	025-34135-000	117646	2	21
58	Fuse, Cartridge Type 20 Amp	025-34142-000	739009	3	21
63	HARNESS YMC2 POWER PANEL	371-06620-231	1055341	1	21
	Connector Recp Housing, 9 position	025-38171-000	117999	1	
64	HARNESS YMC2 POWER PANEL	371-06620-232	1055342	1	21
	Connector Recp Housing, 9 position	025-37873-000	739490	1	
65	HARNESS YMC2 POWER PANEL	371-06620-233	1055343	1	21
	Connector Recp Housing, 9 position	025-37873-000	739490	1	
66	HARNESS YMC2 POWER PANEL	371-06620-234	1055344	1	21
	Connector Recp Housing, 9 position	025-37873-000	739490	1	

NOTE: Items with an * are NOT represented.



LD17616

FIGURE 20 - POWER PANEL



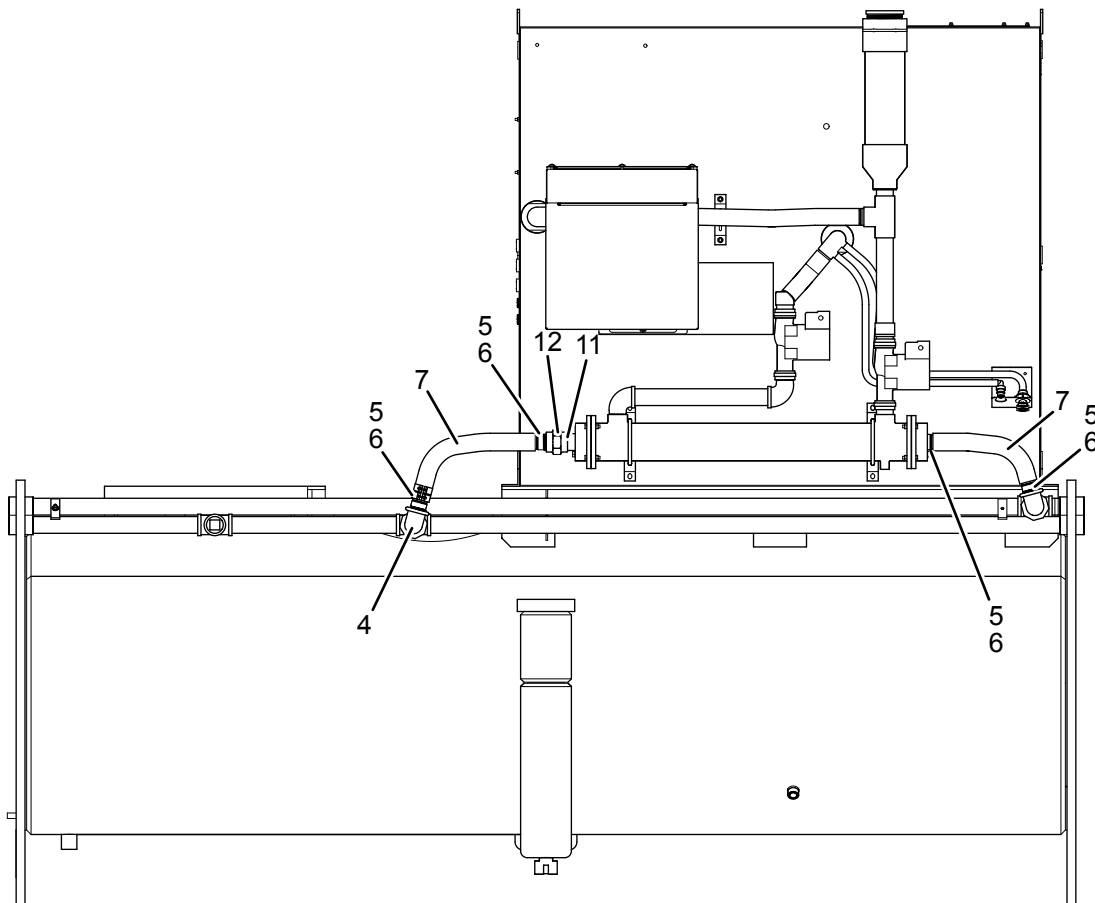
LD17617

FIGURE 21 - POWER PANEL

TABLE 24 - VSD INSTALLATION KIT

ITEM	DESCRIPTION	PART NUMBER	SAP	QUANTITY	FIGURE
4	Union, Elbow 1-1/2 M / F	023-25181-000	734137	1	22/23
5	Adapter Combination 1-1/2 Mpt	023-20295-000	60699	4	22/23
6	Clamp Screw 53-59mm SS	021-33629-000	1105792	8	22/23
7	Hose, 300 Psi, 1-1/2 Id X 2-1/64 To	028-16394-000	618770	4	22/23
11	Nipple Pipe 1-1/2 Sch 80 X 2Lg	023-24321-000	733909	1	22/23
12	Union Scr 1-1/2 Npti Grd	023-17625-000	146679	1	22/23
13	Separator W/1-1/2 Npti Conn's	022-11774-000	514984	1	23
16	Nipple Pipe 1-1/2 Sch 40 X	023-16920-000	146332	1	23
17	Valve, Ball 2-Way	022-12399-000	947520	1	23
18	Clamp Pipe 1-1/2 Nom W/Cushion	023-12698-000	146369	2	23
19	Chan Clamp Anchor Single	023-12700-000	617506	0.92	23

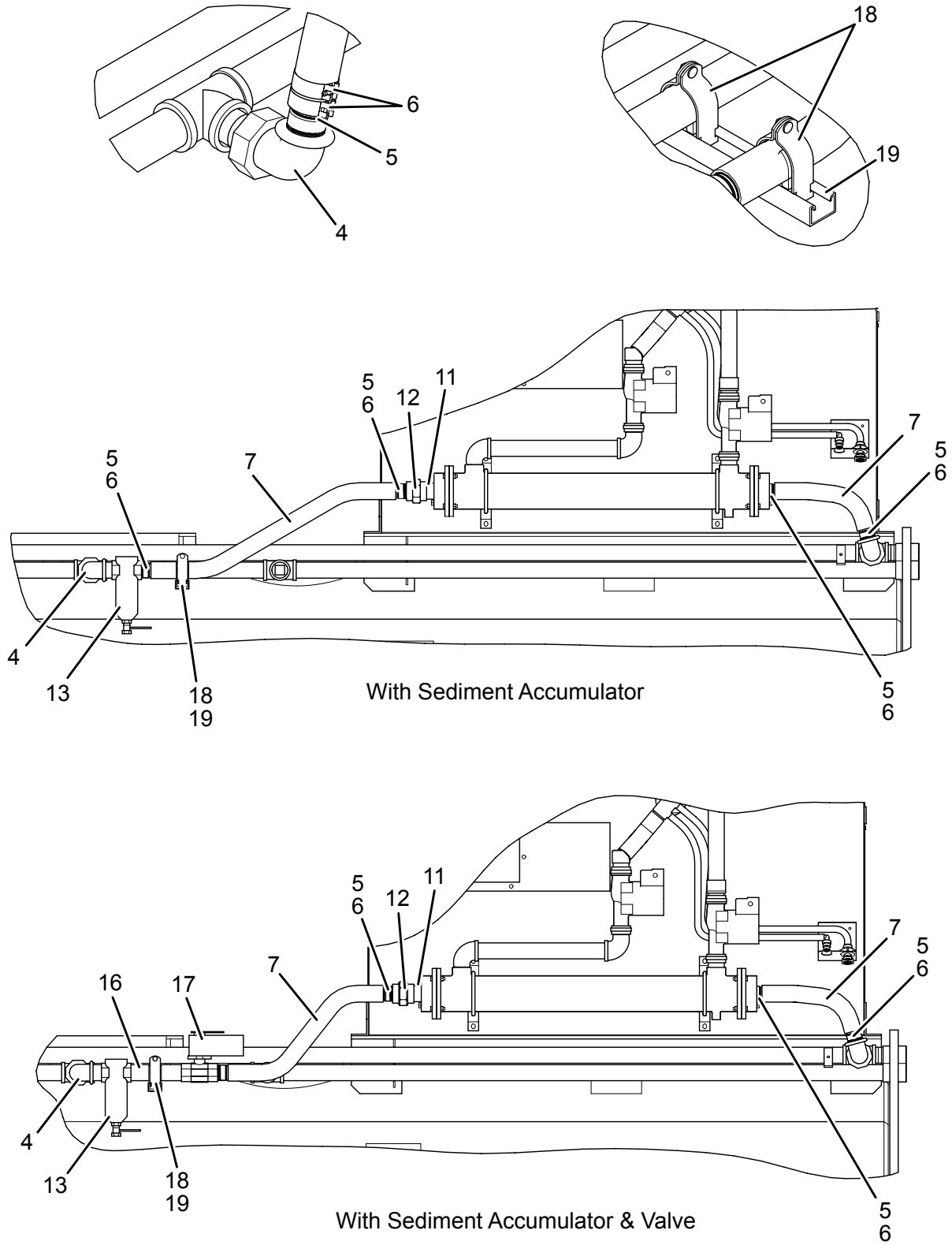
NOTE: Items with an * are NOT represented.



Without Sediment Accumulator Shipment

LD17619

FIGURE 22 - VSD INSTALLATION KIT



With Sediment Accumulator

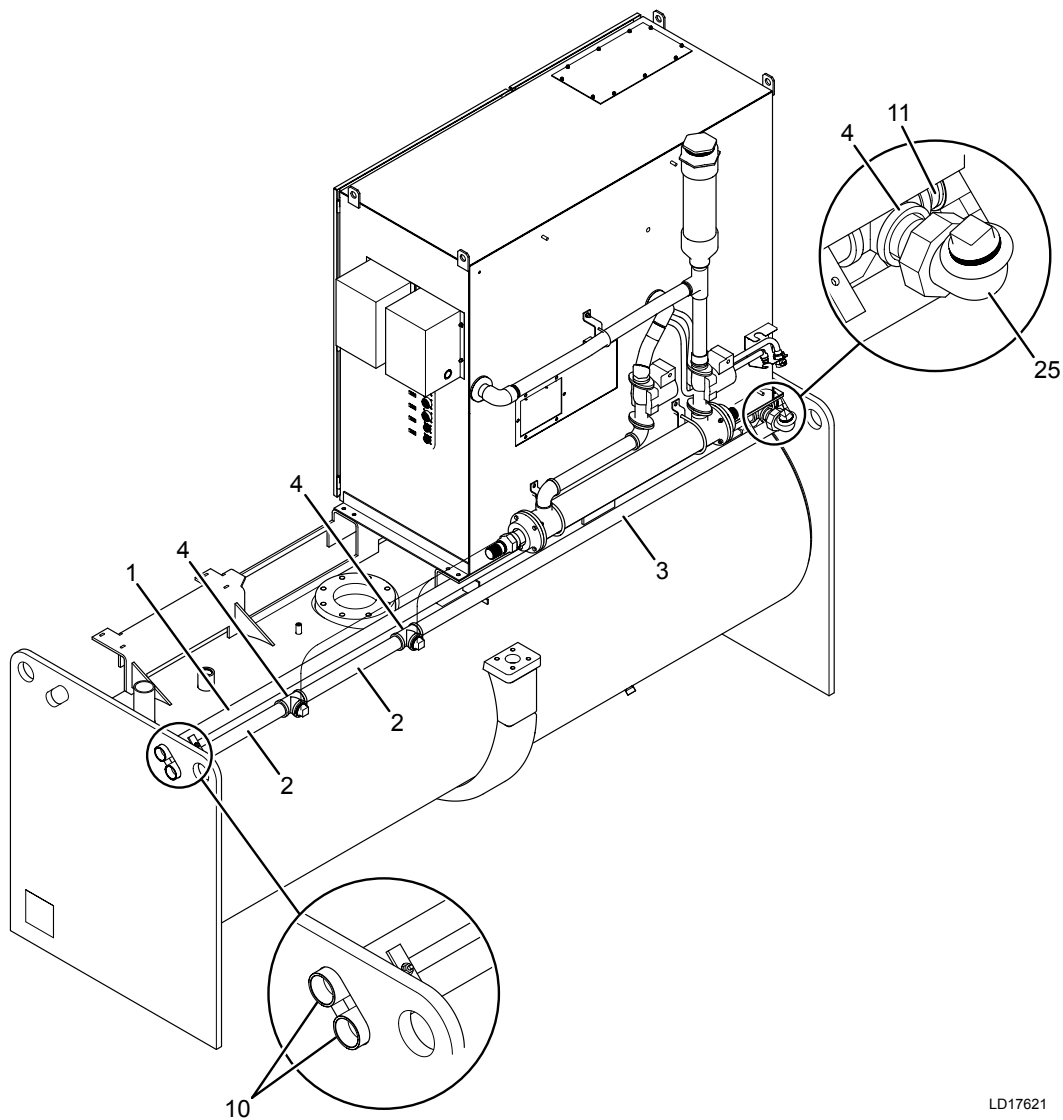
With Sediment Accumulator & Valve

LD17620

FIGURE 23 - VSD INSTALLATION KIT

TABLE 25 - VSD WATER PIPING

ITEM	CONDENSER LENGTH	DESCRIPTION	PART NUMBER	SAP	QUANTITY	FIGURE
1	10'	Nipple Pipe 1-1/2 Sch	092-08916-000	769207	1	24
	14'		092-08919-000	769210	1	
2	Both	Nipple Pipe 1-1/2 Sch	092-11496-000	947527	2	24
3	10'	Nipple Pipe 1-1/2 Sch	092-11497-000	947528	1	24
	14'		092-11505-000	947530	1	
4	Both	Tee Screw 1-1/2 X 1-1/2 X	023-04265-000	617368	3	24
10	Both	Cplg Pipe 1-1/2 Api Merchant	023-25216-000	659863	4	24
11	10'	1-1/2 Nipple Galvanized	023-25173-000	635612	1	24
	14'		092-08920-000	769211	1	
24	14'	Nipple Pipe 1-1/2 Sch	092-11504-000	947529	1	*
25	Both	Union, Elbow 1-1/2 M / F	023-25181-000	734137	1	24

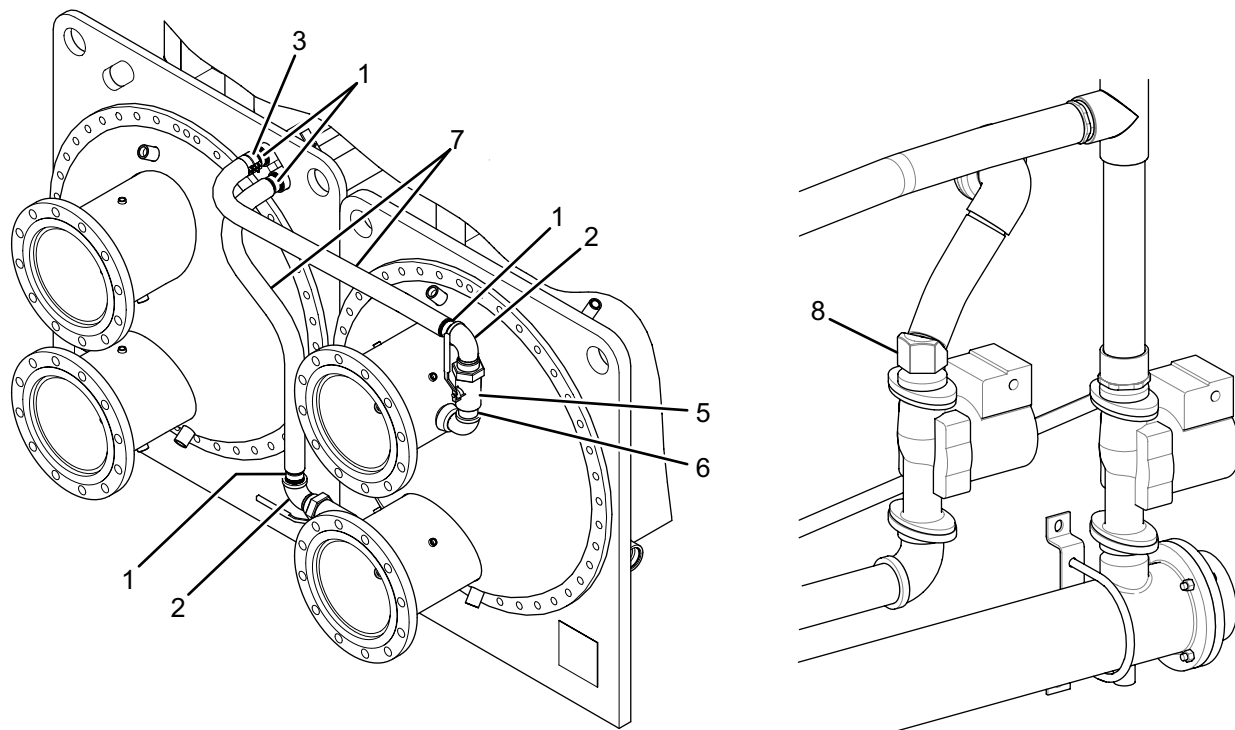


LD17621

FIGURE 24 - VSD WATER PIPING

TABLE 26 - VSD COOLING KIT

CONDENSER					
ITEM	DESCRIPTION	PART NUMBER	SAP	QUANTITY	FIGURE
1	Adapter Combination 1-1/2 Mpt	023-20295-000	60699	4	25
	Adapter Combination 1-1/2 Mpt (Marine)	023-20295-000	60699	2	
2	Elbow Screw Street 1-1/2 Npti	023-17785-000	617581	2	25
3	Clamp Hose 1-25/32 Min Dia	021-30656-000	60683	8	25
5	Valve Ball 1-1/2 Npte	022-11919-000	617143	2	25
	Single Union End Ball Valve With Hinges	022-12050-000	635613	2	
6	Nipple Pipe 1-1/2 Sch 80 X 2Lg With Hinges	023-24321-000	733909	2	25
7	Hose, 300 Psi, 1-1/2 Id X 2-1/64 To	028-16394-000	618770	4.5'	25
	Hose, 300 Psi, 1-1/2 Id X 2-1/64 To (Marine)			5'	
8	Adapter, 45 Deg Elbow, 1-1/2" Hb-Mp	028-16559-000	839776	2	25
EVAPORATOR					
ITEM	DESCRIPTION	PART NUMBER	SAP	QUANTITY	FIGURE
1	Adapter Combination 1-1/2 Mpt	023-20295-000	60699	4	25
2	Elbow Screw Street 1-1/2 Npti	023-17785-000	617581	2	25
3	Clamp Hose 1-25/32 Min Dia	021-30656-000	60683	8	25
5	Valve Ball 1-1/2 Npte	022-11919-000	617143	2	25
	Single Union End Ball Valve With Hinges	022-12050-000	635613	2	
6	Nipple Pipe 1-1/2 Sch 80 X 2Lg With Hinges	023-24321-000	733909	2	25
7	Hose, 300 Psi, 1-1/2 Id X 2-1/64 To	028-16394-000	618770	6	25
8	Adapter, 45 Deg Elbow, 1-1/2" Hb-Mp	028-16559-000	839776	1	25



NOTE:
 EVAPORATOR SIDE SHOWN

BACK OF VSD

FIGURE 25 - VSD COOLING KIT

LD17496

TABLE 27 - EVAPORATOR VSD COUPLING KIT

EVAP CODE	EVAPORATOR PASS	NOZZLE SIZE	COMPACT	MARINE
EB25	1	8"	023-24949-000	
	2	6"	023-24948-000	
	3	4"	023-26145-000	
EB29	1	10"	023-24949-000	
	2	8"		
	3	6"	023-24948-000	
EB33	1	14"	023-24950-000	
	2	10"	023-24949-000	
	3	8"		

TABLE 28 - NEOPRENE ISOLATORS

SYSTEM OPERATING WEIGHT		PART NUMBER (INCLUDES QUANTITY OF 4 PADS)	PAD SIZE
KILOGRAMS	POUNDS		
Up to 7,423	Up to 16,365	028-14462-000	5.5" x 5.5" (14 x 14 cm)
7,424 to 13,107	16,366 to 28,835	028-14459-000	7" x 5.5" (23 x 14 cm)
13,108 to 24,332	28,836 to 53,530	028-14460-000	9" x 7" (23 x 18 cm)
24,333 to 45,666	53,531 to 100,464	028-14461-000	11" x 10" (28 x 25 cm)

TABLE 29 - SPRING ISOLATORS

SYSTEM OPERATING WEIGHT		PART NUMBER (INCLUDES QTY. 4 SPRING BOLTS)	QUANTITY (NUMBER OF MOUNTS PER PACKAGE)
KILOGRAMS	POUNDS		
4,536 to 8,873	10,000 to 19,563	029-23716-000	4
8,874 to 11,093	19,564 to 24,457	029-21793-000	4
11,094 to 13,982	24,458 to 30,826	029-21376-000	4
13,983 to 15,880	30,827 to 35,009	029-20933-000	4
15,881 to 20,974	35,010 to 46,239	029-20934-000	4
20,975 to 26,467	46,240 to 58,349	029-20935-000	4
26,468 to 35,031	58,350 to 77,729	029-20936-000	4
35,032 to 40,525	77,230 to 89,340	029-21388-000	4
40,526 to 52,163	89,341 to 115,000	029-24121-000	4
52,164 to 86,163	115,001 to 190,000	029-24384-001	4

TABLE 30 - SEQUENCING KIT (TWO UNIT)

TWO UNIT (466-61597-000)			
ITEM	DESCRIPTION	PART NUMBER	QUANTITY
1 ¹	Controller, RWT	025-15154-000	1
2	Relay, Time Delay	024-30497-000	1
3	Switch, Toggle	024-14057-000	1

¹ Not Shown. Remote Mounted.

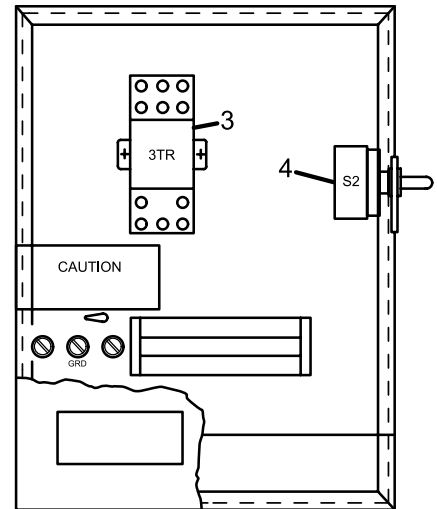


TABLE 31 - SEQUENCING KIT (THREE UNIT)

THREE UNIT (366-44684-000)			
ITEM	DESCRIPTION	PART NUMBER	QUANTITY
2	Control, Temp 2 Stage	025-10215-000	1
3	Relay, TD 115V	024-30497-000	2
4	Relay, Control 120V Coil	024-14519-000	2
5	Relay Assy.	375-21706-000	1
8	Switch, Toggle 3 Position	024-17026-000	1
18	Switch, Toggle	024-11736-000	1

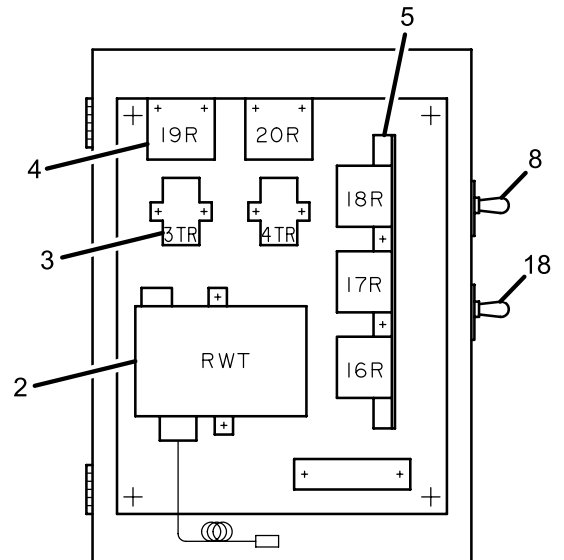


TABLE 32 - SEQUENCING KIT (FOUR UNIT)

FOUR UNIT (366-52529-000)			
ITEM	DESCRIPTION	PART NUMBER	QUANTITY
2	Control, Temp. 3-Stage	025-10214-000	1
3	Relay, TD 115V	024-30497-000	3
4	Relay Assy.	375-21706-000	1
5	Relay, Control 120V Coil	024-14519-000	8
8	Switch, Toggle	024-11736-000	1
11	Switch, Rotary 4 Ckt 15A	024-20494-000	1

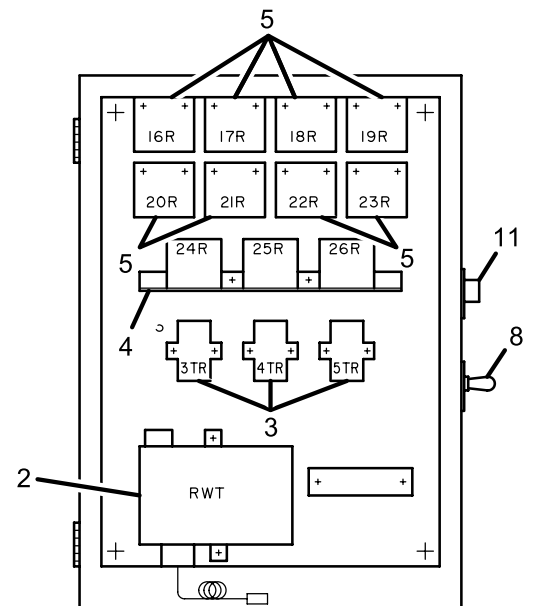


TABLE 33 - TOUCH-UP PAINTS

DESCRIPTION	PART NUMBER
Enamel, Caribbean Blue Color	013-02510-000
Enamel Caribbean Blue	013-01835-000
Primer, Gray Water Base Epoxy	013-02834-000

TABLE 34 - FLOW CONTROL SWITCH

DESCRIPTION	PART NUMBER
150 DWP	024-26116-000
300 DWP	024-12144-000

TABLE 35 - CONSUMABLES

DESCRIPTION	PART NUMBER	SAP
Adhesive, 5 Oz Tube 3M Scotch	013-00995-000	616573
Adhesive, Scotch Grip 1357	013-02297-000	616579
Compound, Heat Conductive 4 Oz	013-00898-000	616572
Grease, POE	044-03199-000	120466
Insulation, Therm 3/4" Thick Class 2	010-04198-000	686474
Insulation, Therm 2-1/2 Id X 3/4 Wall	010-05999-000	686103
Insulation, Therm 2-7/8 Id X 3/4 Wall	010-03802-000	686097
Insulation, Therm 3/4 Id X 3/4	010-03801-000	728793
Lubricant, Molybdenum	011-00253-000	588476
Lub, Valve Stem 2oz.	360-00125-000	590071
Primer, Locquic Grade N Loctite	013-01753-000	588485
Sealer, Grade AVV Loctite 086	013-01671-000	588483
Sealer, Loctite Removable Thread	013-01678-000	588484
Tape, Ins Thermal 50 Wide 3 Thk	010-07200-000	728852

TABLE 36 - SERVICE TOOL KITS

ITEM	DESCRIPTION	PART NUMBER	SAP
1	TE/Connectivity Crimper Tool	025-46350-000	1068258
2	TE/Connectivity Extraction Tool	025-46351-000	1068259
3	SOURIAU CRIMPER TOOL KIT	392-17632-001	-
	Souriau Crimper Tool	025-46352-000	1068260
	Souriau Crimp Head	025-46353-000	1068281
4	Souriau Extraction Tool	025-46354-000	1068282
5	Weidmuller Crimper Tool	025-46355-000	1068283
6	Weidmuller Extraction Tool	025-46356-000	1068284
7	INTERCONNECT CRIMPER TOOL KIT	392-17632-002	-
	Interconnect Crimper Tool	025-46357-000	1068285
	Interconnect Position Insert	025-46358-000	1068286
	Interconnect Assembly Tool	025-46359-000	1068287

NOTES



P.O. Box 1592, York, Pennsylvania USA 17405-1592
Copyright © by Johnson Controls 2014
Form 160.84-RP1 (214)
Issue Date: February 26, 2014
Supersedes: 160.84-RP1 (1113)

800-861-1001
www.johnsoncontrols.com

Subject to change without notice. Printed in USA
ALL RIGHTS RESERVED