



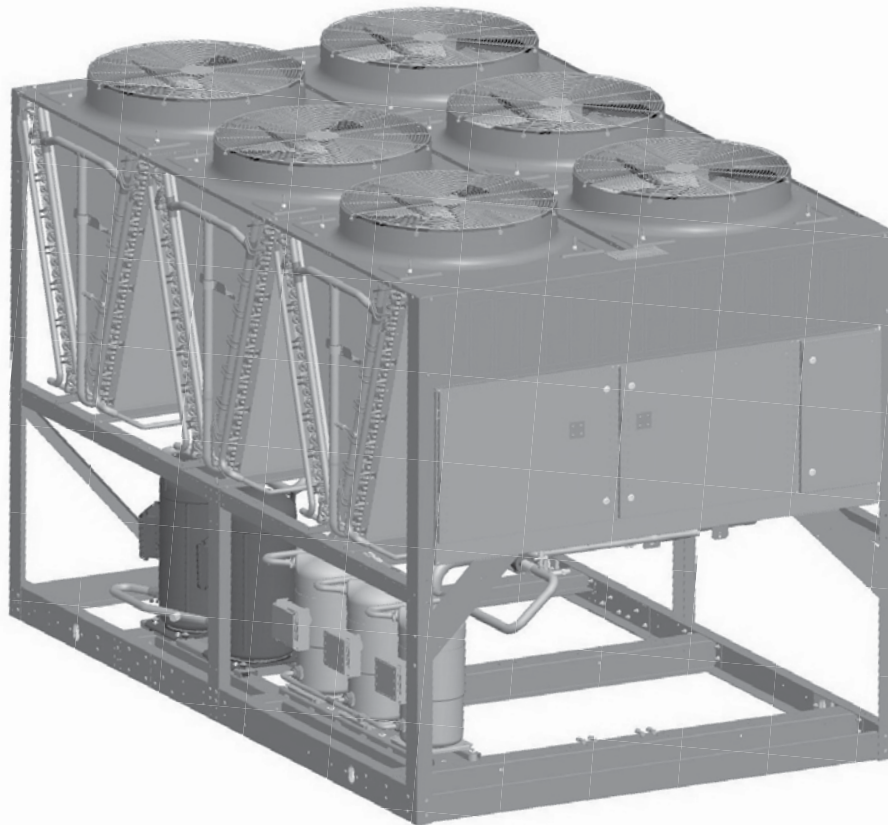
**AIR-COOLED CONDENSING UNIT  
HERMETIC SCROLL**

**RENEWAL PARTS**

Supersedes: 150.73-RP1 (1009)

Form 150.73-RP1 (114)

**MODELS YLUA0078, 0088, 0098, 0108,  
0130, 0148 YLUA0158  
STYLES "A & B"**



200-3-60  
230-3-60  
315-3-60  
460-3-60  
575-3-60

MODELS ONLY

**70 - 155 TON  
245 - 545 KW  
60HZ**

Issue Date:  
January 7, 2014



## TABLE OF CONTENTS

	<u>PAGE</u>
UNIT NOMENCLATURE NAMEPLATE ENGINEERING DATA .....	3
<b>CONDENSER COILS</b>	
CONDENSER COIL COMPONENTS .....	4
<b>FAN</b>	
FAN COMPONENTS.....	8
<b>PIPING</b>	
REFRIGERANT PIPING COMPONENTS.....	9
<b>COMPRESSOR</b>	
COMPRESSOR .....	12
<b>CONTROL AND POWER PANELS</b>	
CONTROL PANEL AND POWER PANEL CONFIGURATIONS.....	16
POWER PANEL COMPONENTS.....	17
LUG KITS AND FUSES.....	28
CONTROL PANEL COMPONENTS .....	30
SENSOR HARNESSES .....	32
TRANSDUCERS AND TEMP SENSORS .....	35
TRANSDUCER AND THERMISTOR WIRE HARNESS CONNECTORS .....	36
<b>CHILLER OPTIONS</b>	
VIBRATION ISOLATORS .....	37
YLUA CHILLER OPTIONS - KITS .....	38
ENCLOSURE KIT OPTIONS .....	39
REMOTE CONTROL CENTER.....	42
RECOMMENDED SPARE PARTS.....	43

# WARNING

## HIGH VOLTAGE

**Is used in the operation of this equipment.**

## DEATH OR SERIOUS INJURY

**may result if personnel fail to observe safety precautions.**

Work on electronic equipment should not be undertaken unless the individual(s) have been trained in the proper maintenance of equipment and is (are) familiar with its potential hazards.

Shut off power supply to the equipment before beginning work and follow lockout procedures. When working inside equipment with power off, take care to discharge every capacitor likely to hold dangerous potential.

Be careful not to contact high voltage connections when installing or operating this equipment.

## LOW VOLTAGE

DO NOT be misled by the term "low voltage." Voltages as low as 50 volts may cause death.

# UNIT NOMENCLATURE NAMEPLATE ENGINEERING DATA

## BASIC PART NUMBER

# Y L U A 0 0 9 8 S E 4 6 X A A

1	2	3	4	5	6	7	8	9	10	11	12	13	14	15
BASE PRODUCT TYPE				NOMINAL CAPACITY				UNIT DESIGNATOR	REFRIGERANT	VOLTAGE/STARTER			DESIGN/DEVELOPMENT LEVEL	
Y	L	U		#	#	#	#	S	E	1	7		A	
: YORK : Chiller : Air Cooled A: Scroll Condensing Unit				Tons 0078 0088 0095 0098 0108 0130 0148 0158				S Standard Efficiency H High Efficiency Z Standard Efficiency (Round Tube) Y High Efficiency (Round Tube)	R-410A	:200/3/60 :230/3/60 :380/3/60 :460/3/60 :380-415/3/50 :575/3/60 X :Across the Line			:Design Series A :Design Series B :Engineering Change or PIN Level	

## PART NUMBER – LETTER CODES

16 17 18 19	20 21 22 23 24 25 26 27 28	29 30 31 32 33 34 35 36 37
POWER FIELD	CONTROLS FIELD	COMPRESSOR / PIPING FIELD
X X : MP Terminal Block S X : SP Terminal Block S D : SP NF Disconnect Switch B X : SP Circuit Breaker D B : SP NF Disc Sw w/ Ind. Sys. CB X : No Transformer Required T : Transformer 115/24V (factory) X : No Power Factor Capacitor C : Power Factor Capacitor	X : No Ambient Kit H : High Ambient Kit (factory) A : High & Low Ambient Kit (factory) T : BAS/EMS Temp. Reset / Offset X : English LCD & Keypad Display R : Discharge Transducer Readout L : N. American Safety Code (cUL/cETL) T : Suction Transducer Readout C : Motor Current Module	# # : Low Temp. Brine (LBrT) C : Chicago Relief Code S : Service Isolation Valve B : Both Chicago & Isolat. 1 : Hot Gas By-Pass (# circuits) H : Heater (Standard)

**MP** = Multiple Point  
**SP** = Single Point  
**NF** = Non-Fused  
**TB** = Terminal Block  
**CB** = Circuit Breaker

38 39 40 41 42 43 44	45 46 47	48 49 50 51 52 53 54
EVAP. FIELD	CONDENSER FIELD	CABINET FIELD
X : No Vessel Req'd	X : Aluminum C : Copper B : Black Fin P : Phenolic X : TEAO Fan Motors	1 : Wire (Full Unit) Encl. Panels (factory) 3 : Wire/Louvered Encl. Panels (factory) 5 : Louvered (Cond. Only) Encl. Panels (factory) 7 : Louvered (Full Unit) Encl. Panels (factory) 9 : End Louver (Hail Guard) Enc. Panels (factory) B : Acoustic Sound Blanket L : Ultra Quiet Fans 1 : 1" Deflection S : Seismic N : Neoprene Pads

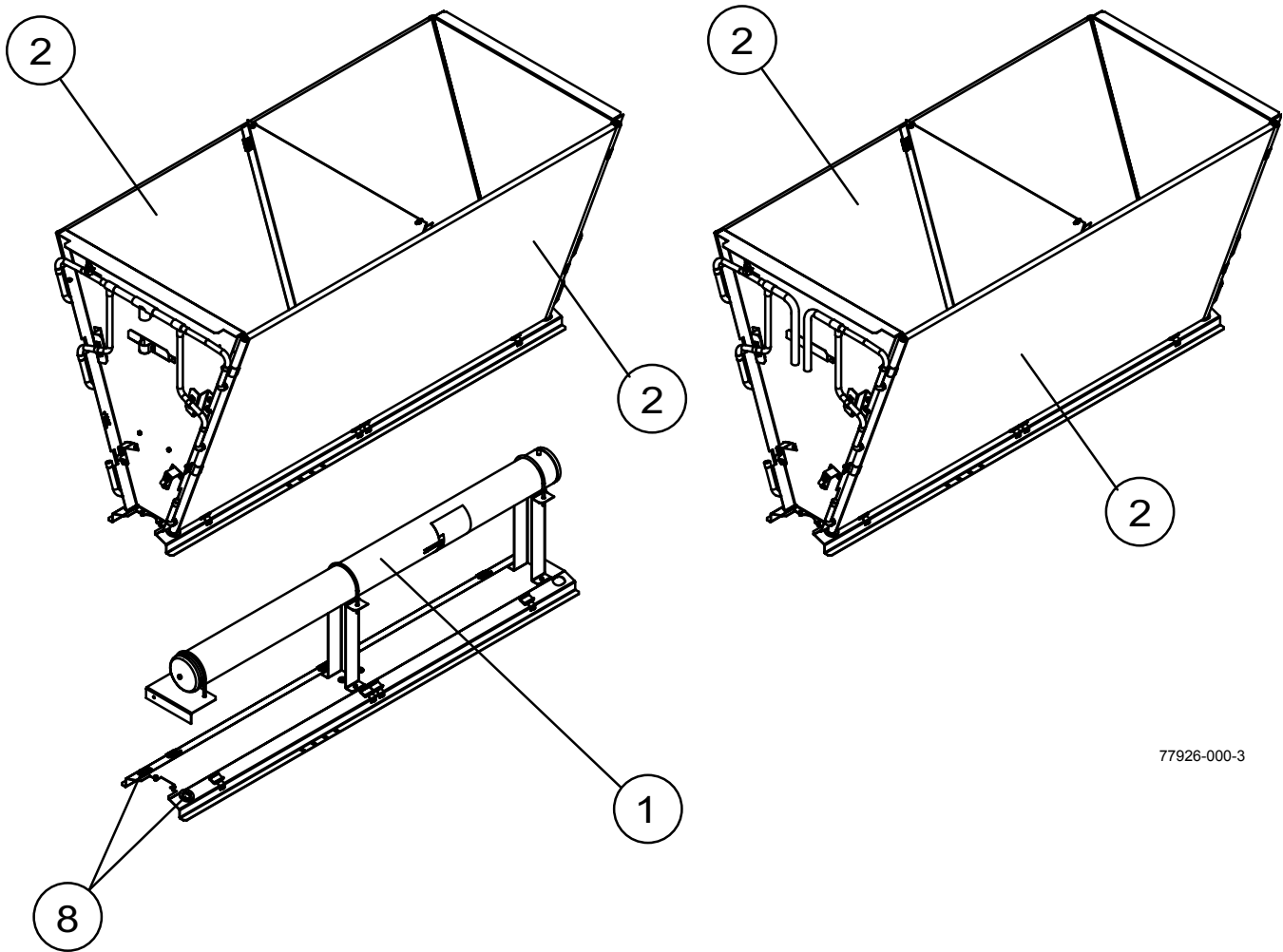
**61**  
PLANT OF MANUFACTURE

R	: Monterrey
S	: Sabadell
CUR	: Curitiba, Brazil
MEX	: Mexico, ES
MTY	: Monterrey, BE
SAT	: San Antonio, Texas

- NOTES:
1. Q :DENOTES SPECIAL / S.Q.
  2. # :DENOTES STANDARD
  3. X :w/in OPTIONS FIELD, DENOTES NO OPTION SELECTED
  4. Agency Files (i.e. U.L. / ETL; CE; ARI; ETC.) will contain info. based on the first 14 characters only.
  5. Plant of manufacture to include PIN 56 upon entering the chiller order.

# CONDENSER COIL COMPONENTS

## CHILLER MODEL YLUA – DESIGN SERIES "A" (MICROCHANNEL)

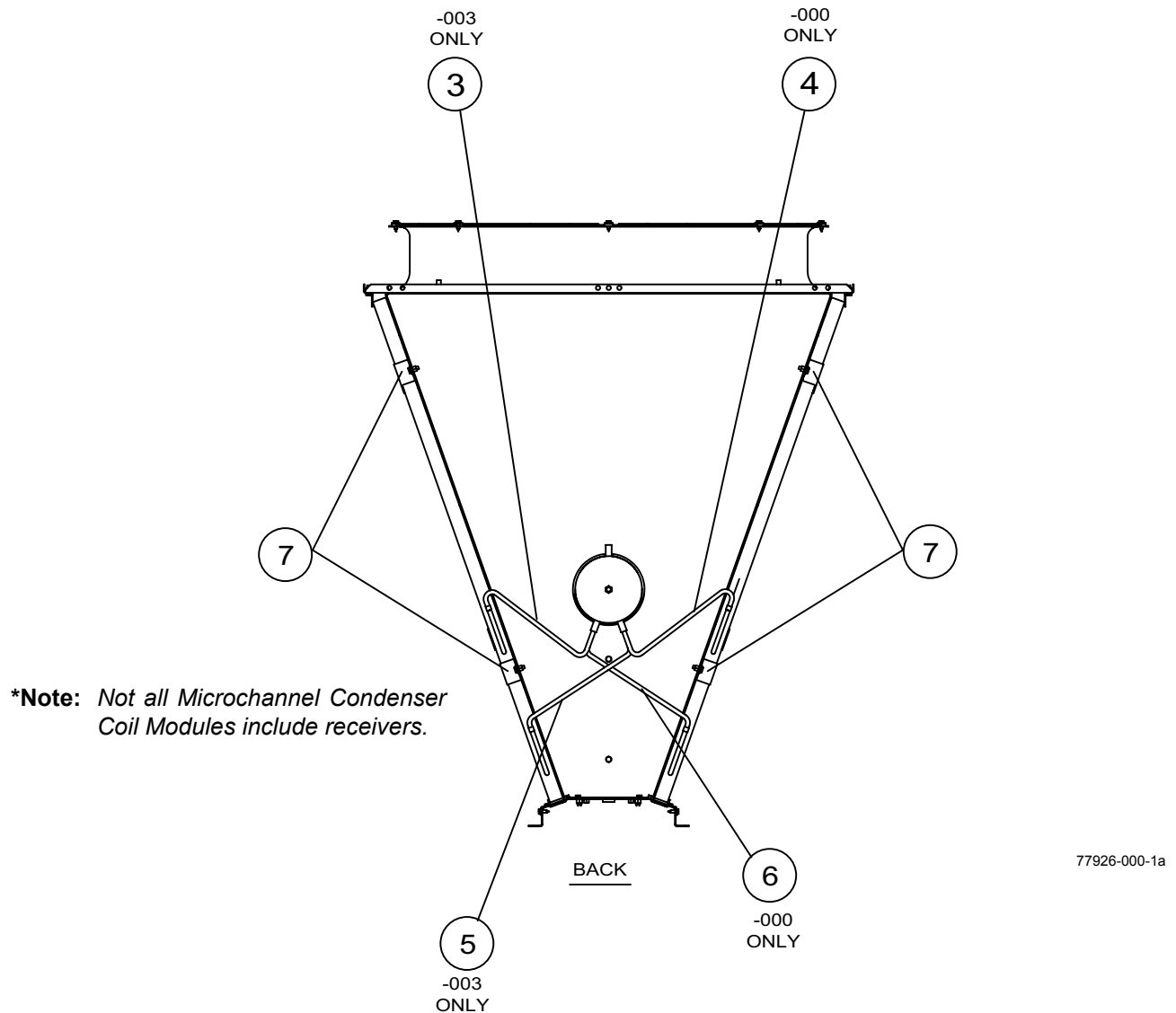


77926-000-3

**FIG. 1A** – MICROCHANNEL CONDENSER COIL COMPONENTS - DESIGN SERIES "A"  
(REF. TABLE 1A, PAGE 5)

## CONDENSER COIL COMPONENTS (CONT'D)

### CHILLER MODEL YLUA – DESIGN SERIES "A" (MICROCHANNEL)



**FIG. 1B** – MICROCHANNEL CONDENSER COIL COMPONENTS - DESIGN SERIES "A"  
(REF. TABLE 1A)

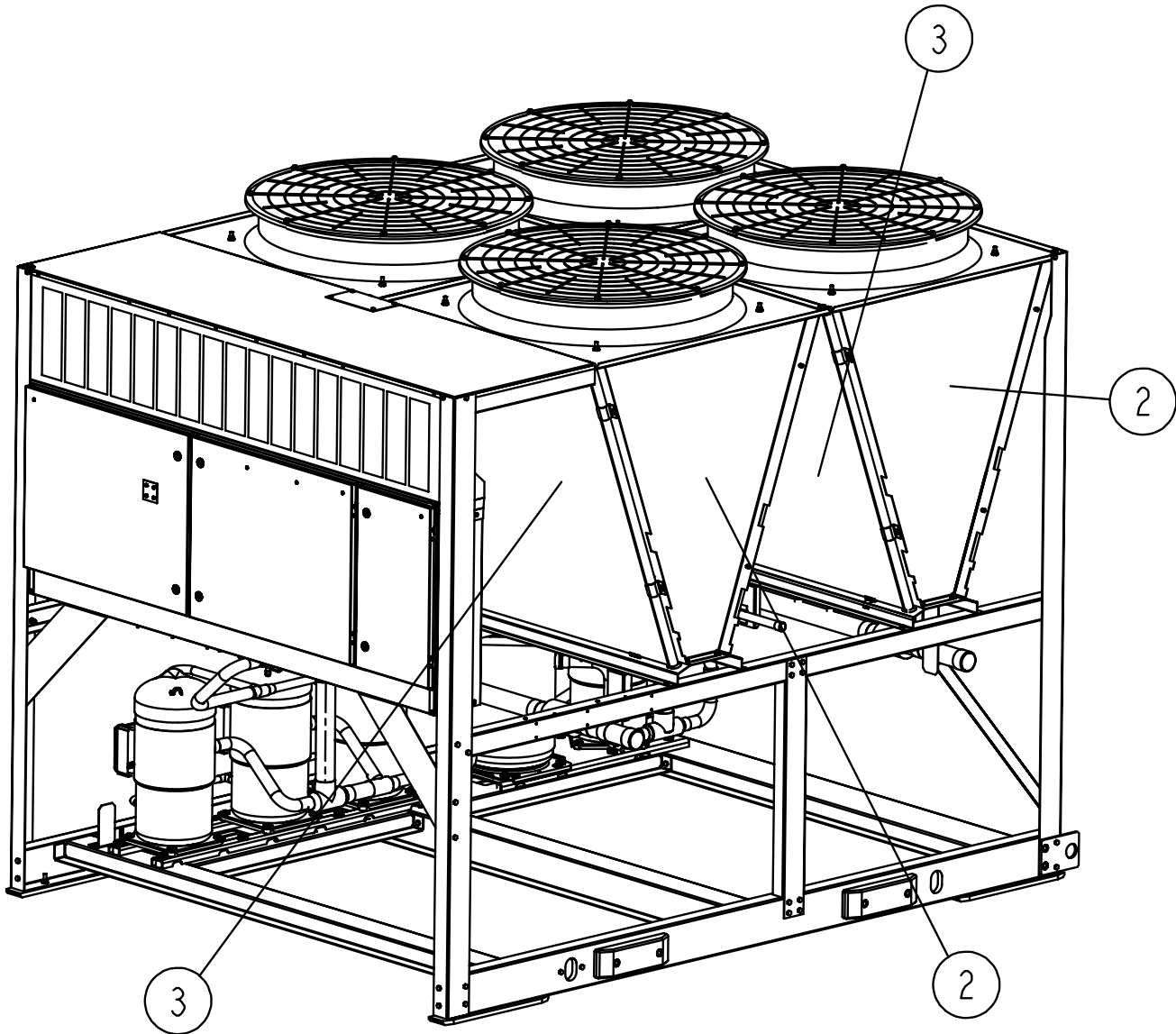
**TABLE 1A** – MICROCHANNEL CONDENSER COIL COMPONENTS - DESIGN SERIES "A"  
(SEE FIGS. 1A AND 1B, PAGES 4 AND 5)

ITEM NUMBER	DESCRIPTION	QTY PER CONDENSER SECTION "V"	YORK PART NUMBER
1	RECEIVER, 6" DIAMETER	1	026-45013-000
2	COIL	2	026-45535-000
3	PIPE, COIL TO RECEIVER	1	075-77930-001
4	PIPE, COIL TO RECEIVER	1	075-77930-002
5	PIPE, COIL TO RECEIVER	1	075-77930-003
6	PIPE, COIL TO RECEIVER	1	075-77930-003
7	CLAMP, HEADER	8	075-74862-007
8	BUSHING	2	028-15821-000

# CONDENSER COIL COMPONENTS (CONT'D)

## CHILLER MODEL YLUA – DESIGN SERIES "B" (TUBE AND FIN)

Condenser



83210-2a

**FIG. 1C** – CONDENSER COIL COMPONENTS DESIGN SERIES "B" - YLUA0078, YLUA0088 & YLUA0095 SHOWN (REF. TABLE 1B, PAGE 7)

# CONDENSER COIL COMPONENTS (CONT'D)

## CHILLER MODEL YLUA – DESIGN SERIES "B" (TUBE AND FIN)

**TABLE 1B – CONDENSER COIL COMPONENTS - DESIGN SERIES "B"**  
(SEE FIG. 1C, PAGE 6)

ITEM NUMBER	DESCRIPTION	YLUA0078, YLUA0088 AND YLUA0095	YLUA0098 AND YLUA0130	YLUA0108	YLUA0148 AND YLUA0158
<b>ALUMINUM FIN COILS - 'PIN 45 = X'</b>					
2	Coil*	375-75763-101 (Qty 2)	375-75763-101 (Qty 3)	375-75763-101 (Qty 3)	375-75763-101 (Qty 4)
3		375-75763-102 (Qty 2)	375-75763-102 (Qty 3)	375-75763-102 (Qty 3)	375-75763-102 (Qty 4)
<b>BLACK FIN COILS - 'PIN 45 = B'</b>					
2	Coil*	375-75763-105 (Qty 2)	375-75763-105 (Qty 3)	375-75763-105 (Qty 3)	375-75763-105 (Qty 4)
3		375-75763-106 (Qty 2)	375-75763-106 (Qty 3)	375-75763-106 (Qty 3)	375-75763-106 (Qty 4)
<b>PHENOLIC COILS - 'PIN 45 = P'</b>					
2	Coil*	375-75763-107 (Qty 2)	375-75763-107 (Qty 3)	375-75763-107 (Qty 3)	375-75763-107 (Qty 4)
3		375-75763-108 (Qty 2)	375-75763-108 (Qty 3)	375-75763-108 (Qty 3)	375-75763-108 (Qty 4)
<b>COPPER COILS - 'PIN 45 = C'</b>					
2	Coil*	375-75763-103 (Qty 2)	375-75763-103 (Qty 3)	375-75763-103 (Qty 3)	375-75763-103 (Qty 4)
3		375-75763-104 (Qty 2)	375-75763-104 (Qty 3)	375-75763-104 (Qty 3)	375-75763-104 (Qty 4)

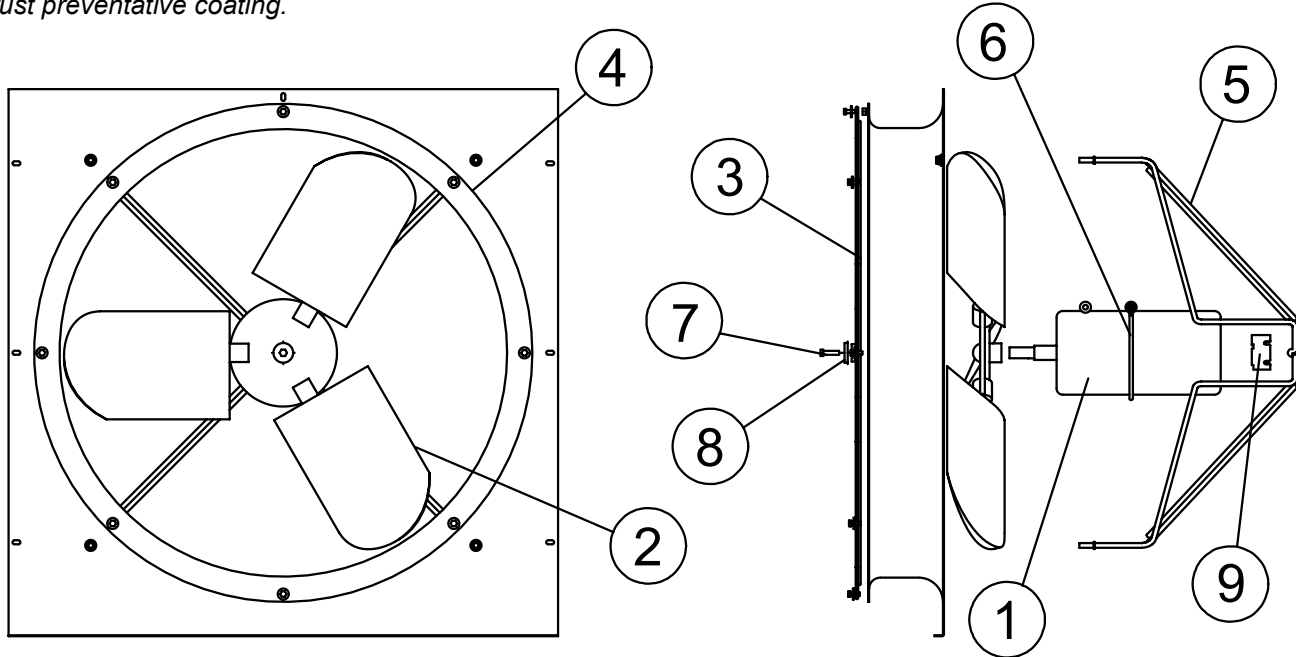
**\*Note:** Coils include coil and headers.

# FAN COMPONENTS

**Service Note:**

Fan Hub to Shaft Joint should be sealed with protective coating - use RUST VETO 344 - a solvent type, rust preventative coating.

71386-000



**Service Note:** Pin Location 52 in Model Number will be "X" for Standard Fan, or "L" for Low Noise Fan. See page 3.

**FIG. 2 – FAN COMPONENTS**

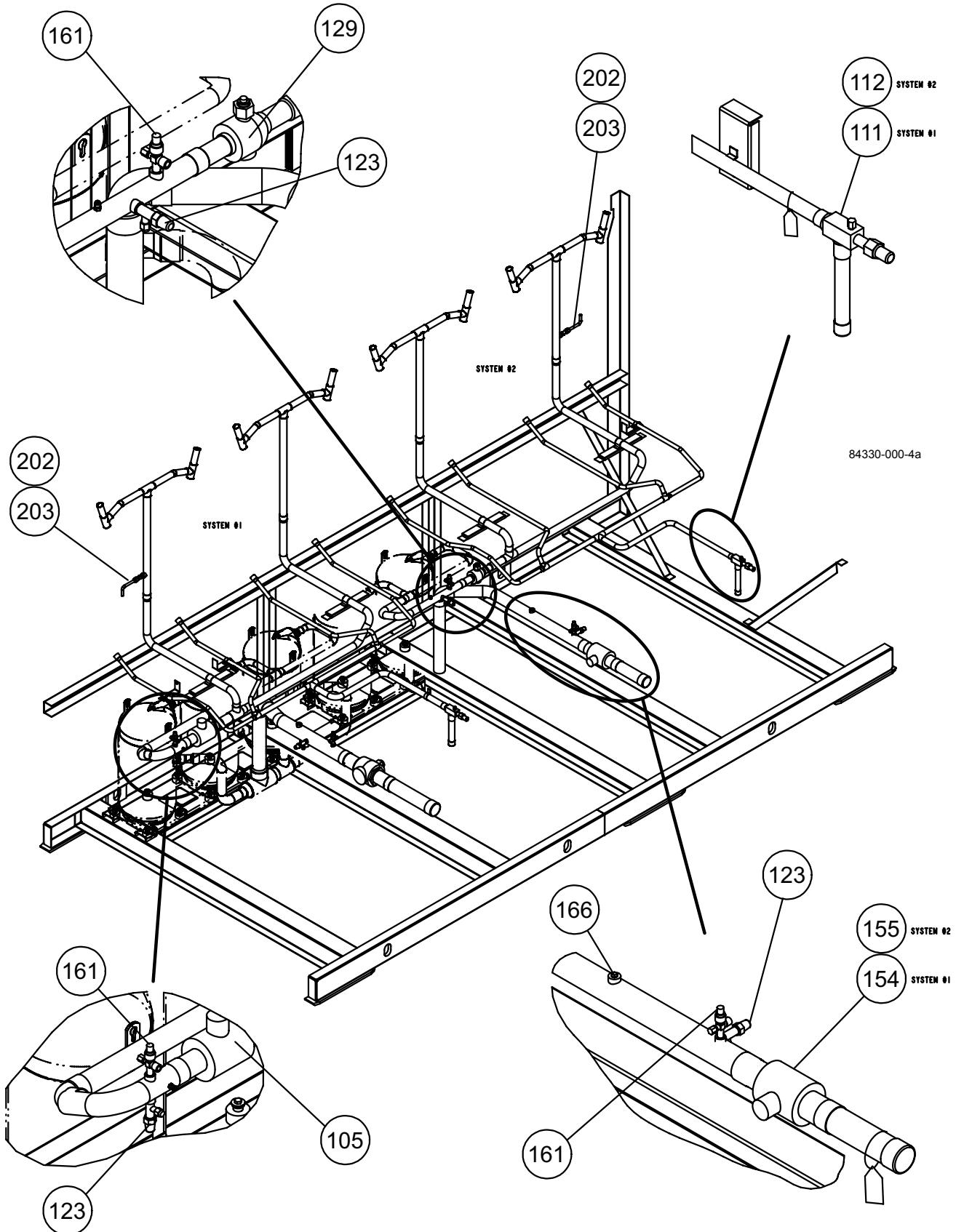
**TABLE 2 – FAN COMPONENTS**

ITEM NUMBER	DESCRIPTION	VOLTAGE CODE	FAN TYPE	
			STANDARD 7/8", 1160 RPM	LOW NOISE 7/8", 850 RPM
1 <sup>s</sup>	Motor, Fan 2 HP (YLUA0078-YLUA0158)	-17	024-36873-103	024-34980-102
		-28	024-36873-106	024-34980-102
		-40	024-36873-104	024-34980-105
		-46	024-36873-107	024-34980-101
		-58	024-36873-102	024-34980-104
2 <sup>s</sup>	Blade	All	026-41594-000	026-41942-000
3	Guard	All	026-35605-000	
4	Orifice	All	026-45002-000	
5	Support	All	026-41937-000	026-45533-000
6	Support, Ring	All	026-36367-000	
7	Screw, Cap (M8x125)	All	021-18494-000	
8	Spacer	All	075-40484-000	
9	Hub, Square	All	026-41939-002	026-41939-005

<sup>s</sup> = Recommended Spare Parts

# REFRIGERANT PIPING COMPONENTS

## CHILLER MODEL YLUA – DESIGN SERIES "A & B"



Piping

**FIG. 3 – REFRIGERANT PIPING COMPONENTS - MODELS YLUA0148 & YLUA0158 SHOWN (REF. TABLE 3, PAGE 10)**

## REFRIGERANT PIPING COMPONENTS (CONT'D)

### CHILLER MODEL YLUA – DESIGN SERIES "A & B"

**TABLE 3 – REFRIGERANT PIPING COMPONENTS (SEE FIG. 3, PAGE 9)**

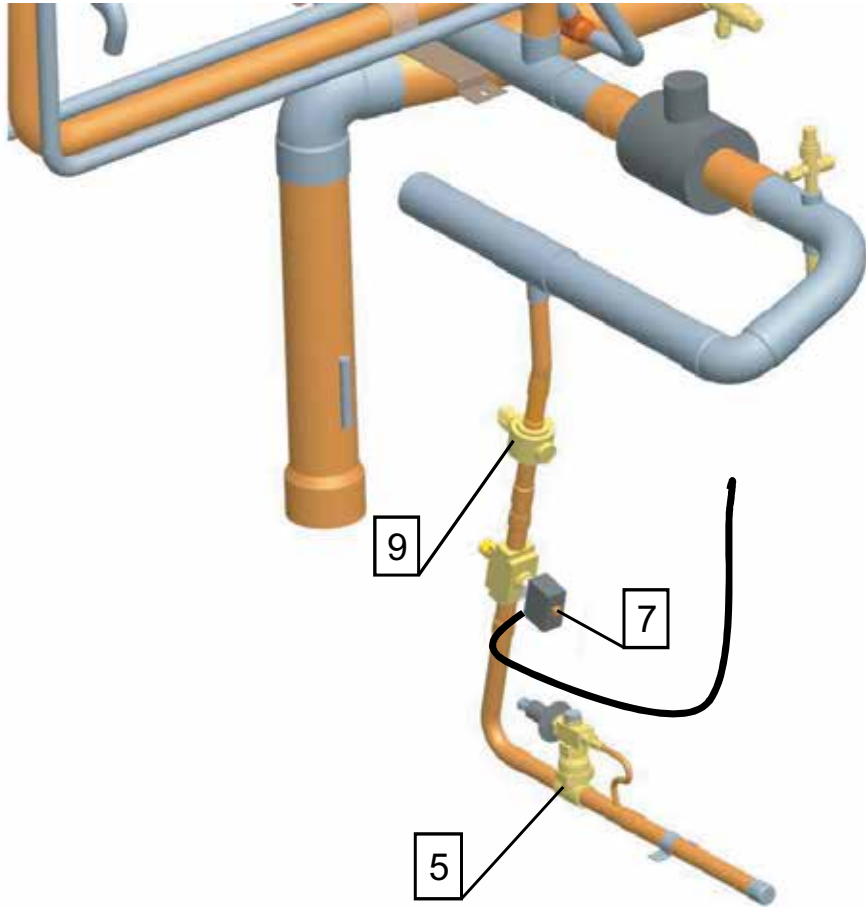
ITEM NO.	SYS.	DESCRIPTION	YLUA0078	YLUA0088	YLUA0095
105	1	Valve, Ball (Discharge)	022-08883-000	022-08883-000	022-08883-000
111	1	Valve, Liquid Stop	022-10022-000	022-10022-000	022-10022-000
112	2				
123	Both	Valve, Charging	022-09754-000	022-09754-000	022-09754-000
129	2	Valve, Ball (Discharge)	022-08883-000	022-08883-000	022-08883-000
154	1	Valve, Ball (Suction)	022-09753-000	022-09753-000	022-09753-000
155	2				
161	Both	Valve, Transducer	022-11735-000	022-11735-000	022-11735-000
202	All	Valve, Relief (650 psi)	022-10682-001	022-10682-001	022-10682-001
203	All	Tube, Relief	375-37975-000	375-37975-000	375-37975-000

ITEM NO.	SYS.	DESCRIPTION	YLUA0098	YLUA0108	YLUA0130
105	1	Valve, Ball (Discharge)	022-08883-000	022-08883-000	022-08883-000
111	1	Valve, Liquid Stop	022-10022-000	022-10022-000	022-10022-000
112	2				
123	Both	Valve, Charging	022-09754-000	022-09754-000	022-09754-000
129	2	Valve, Ball (Discharge)	022-08883-000	022-08883-000	022-08883-000
154	1	Valve, Ball (Suction)	022-09753-000	022-09753-000	022-09753-000
155	2				
161	Both	Valve, Transducer	022-11735-000	022-11735-000	022-11735-000
202	All	Valve, Relief (650 psi)	022-10682-001	022-10682-001	022-10682-001
203	All	Tube, Relief	375-37975-000	375-37975-000	375-37975-000

ITEM NO.	SYS.	DESCRIPTION	YLUA0148	YLUA00158
105	1	Valve, Ball (Discharge)	022-09752-000	022-09752-000
111	1	Valve, Liquid Stop	022-09778-000	022-09778-000
112	2		022-10022-000	022-10022-000
123	Both	Valve, Charging	022-09754-000	022-09754-000
129	2	Valve, Ball (Discharge)	022-08883-000	022-08883-000
154	1	Valve, Ball (Suction)	022-11325-000	022-11325-000
155	2		022-09753-000	022-09753-000
161	Both	Valve, Transducer	022-11735-000	022-11735-000
202	All	Valve, Relief (650 psi)	022-10682-001	022-10682-001
203	All	Tube, Relief	375-37975-000	375-37975-000

# REFRIGERANT PIPING COMPONENTS (CONT'D)

## CHILLER MODEL YLUA – DESIGN SERIES "A & B"



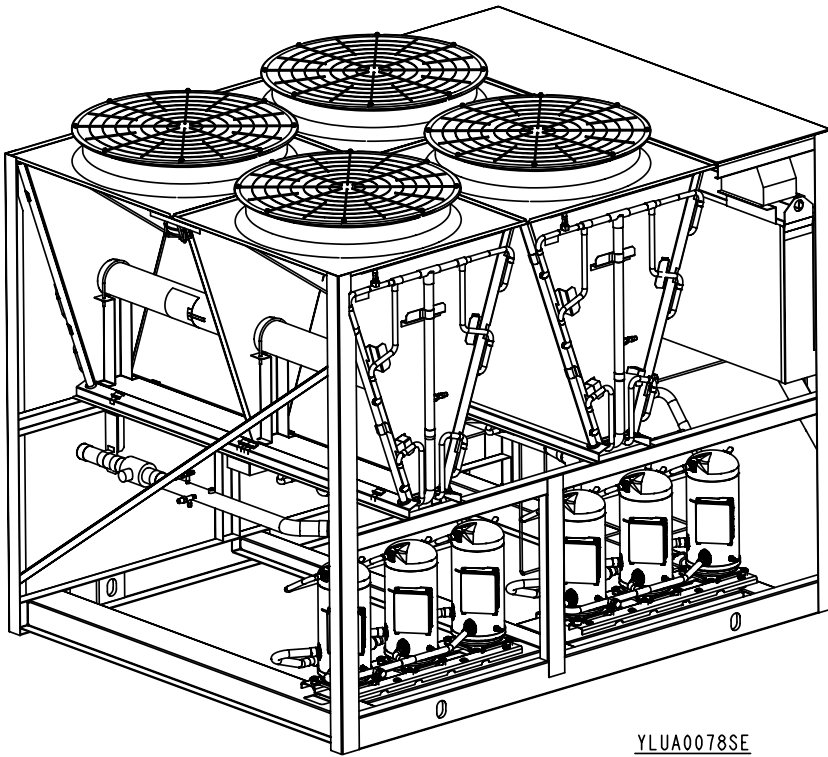
83290-000e

**FIG. 3A – HOT GAS BY-PASS COMPONENTS**

**TABLE 3A – HOT GAS BY-PASS COMPONENTS**

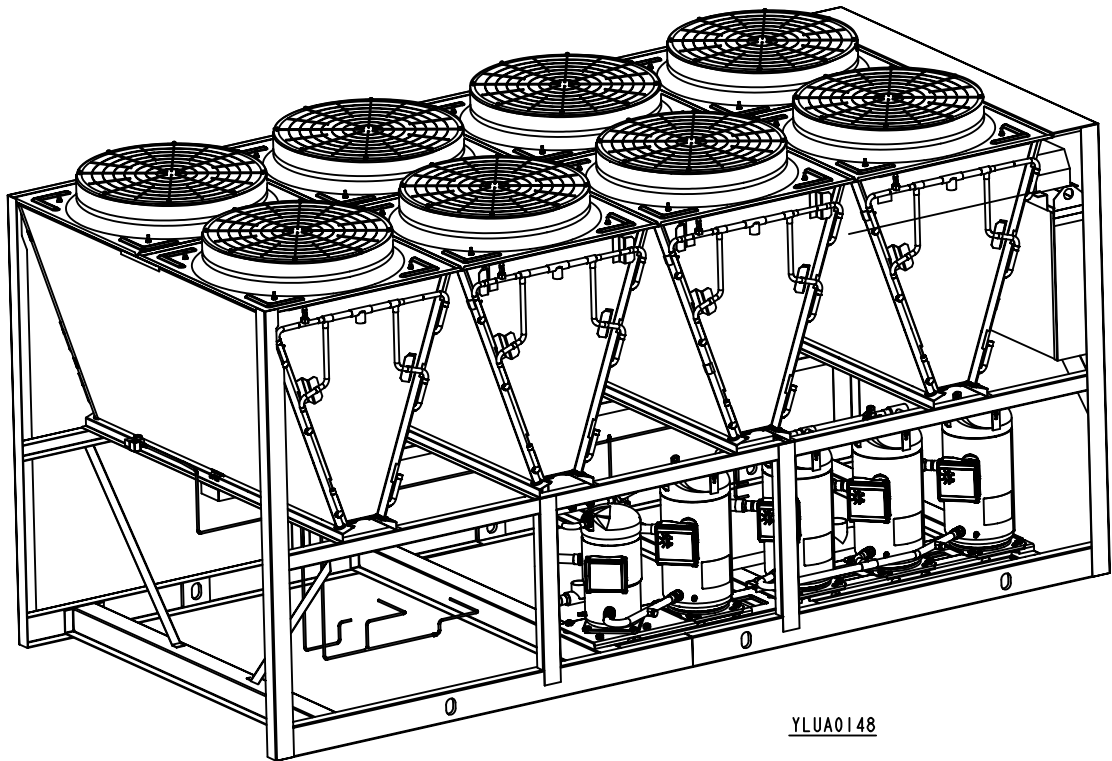
ITEM NUMBER	MODEL NUMBERS	QTY	DESCRIPTION	PART NUMBER
5	ALL	1	Valve, Hot Gas	025-40962-000
7		1	Valve, Solenoid	025-41558-000
9		1	Valve, Ball	022-11742-000

# COMPRESSOR



83210-000-5

YLUA0078SE



YLUA0148

83212-000-6

**FIG. 4 – COMPRESSOR LAYOUTS (REF. TABLE 4, PAGES 13 AND 14)**

## COMPRESSOR (CONT'D)

**TABLE 4 – COMPRESSOR PART NUMBERS - R-410A (SEE FIG. 4, PAGE 12)**

MODEL	VOLTAGE CODE	SYSTEM #1 COMPRESSOR			SYSTEM #2 COMPRESSOR					
		PART #	MODEL #	QTY	PART #	MODEL #	QTY	PART #	MODEL #	QTY
YLUA0078	-17	015-04055-101	ZP154KCE	3	015-04055-101	ZP154KCE	N/A	N/A	N/A	3
	-28	015-04055-101		3						3
	-40	015-04055-102		3						3
	-46	015-04055-104		3						3
	-58	015-04055-105		3						3
YLUA0088	-17	015-04045-101	ZP180KCE	3	015-04055-101	ZP154KCE	N/A	N/A	N/A	3
	-28	015-04045-101		3						3
	-40	015-04045-102		3						3
	-46	015-04045-104		3						3
	-58	015-04045-105		3						3
YLUA0095	-17	015-04045-101	ZP180KCE	3	015-04052-101	ZP385KCE	N/A	ZP180KCE	ZP180KCE	1
	-28	015-04045-101		3						1
	-40	015-04045-102		3						1
	-46	015-04045-104		3						1
	-58	015-04045-105		3						1
YLUA0098	-17	015-04052-101	ZP385KCE	2	015-04045-101	ZP180KCE	N/A	N/A	N/A	2
	-28	015-04052-101		2						2
	-40	015-04052-102		2						2
	-46	015-04052-104		2						2
	-58	015-04052-105		2						2



## COMPRESSOR (CONT'D)

**TABLE 4 (CONT'D) – COMPRESSOR PART NUMBERS - R-410A (SEE FIG. 4, PAGE 12)**

MODEL	VOLTAGE CODE	SYSTEM #1 COMPRESSOR			SYSTEM #2 COMPRESSOR					
		PART #	MODEL #	QTY	PART #	MODEL #	QTY	PART #	MODEL #	QTY
YLUA0108	-17	015-04045-101	ZP180KCE	3	015-04052-101	ZP385KCE	N/A	N/A	N/A	2
	-28	015-04045-101		3	015-04052-101					2
	-40	015-04045-102	3	015-04052-102	2					
	-46	015-04045-104	3	015-04052-104	2					
	-58	015-04045-105	3	015-04052-105	2					
YLUA0130	-17	015-04052-101	ZP385KCE	2	015-04052-101	ZP385KCE	N/A	N/A	N/A	2
	-28	015-04052-101		2	015-04052-101					2
	-40	015-04052-102		2	015-04052-102					2
	-46	015-04052-104		2	015-04052-104					2
	-58	015-04052-105		2	015-04052-105					2
YLUA0148	-17	015-04052-101	ZP385KCE	3	015-04052-101	ZP385KCE	N/A	ZP180KCE	N/A	1
	-28	015-04052-101		3	015-04052-101					1
	-40	015-04052-102		3	015-04052-102					1
	-46	015-04052-104		3	015-04052-104					1
	-58	015-04052-105		3	015-04052-105					1
YLUA0158	-17	015-04052-101	ZP385KCE	3	015-04052-101	ZP385KCE	N/A	N/A	N/A	2
	-28	015-04052-101		3	015-04052-101					2
	-40	015-04052-102		3	015-04052-102					2
	-46	015-04052-104		3	015-04052-104					2
	-58	015-04052-105		3	015-04052-105					2

## COMPRESSOR (CONT'D)

**TABLE 4A – RECOMMENDED COMPRESSOR OIL TYPE**

ITEM	REF.	DESCRIPTION	(6) 1 GALLON	5 GALLON
<b>OIL<sup>s</sup></b>	R-410A	Oil, Compressor (Type 'V')	011-00948-000	011-00949-000

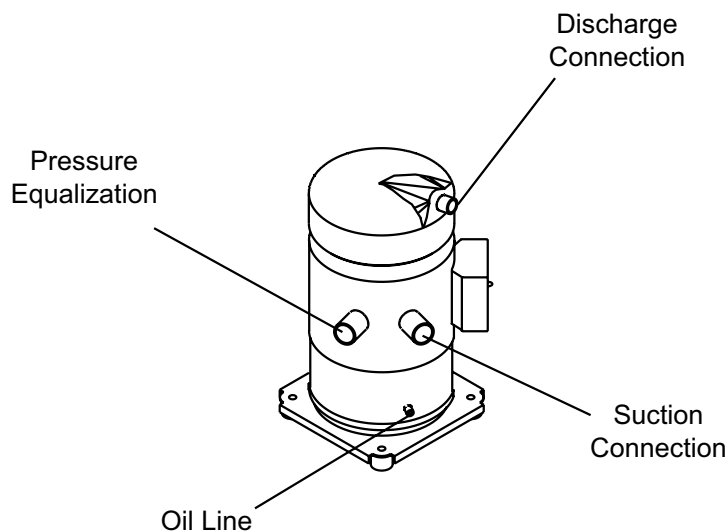
<sup>s</sup> = Recommended Spare Parts

**TABLE 4B – COMPRESSOR HEATER AND SOUND BLANKET PART NUMBERS**

COMPRESSOR PART NUMBER	HEATER PART NUMBER	QUANTITY PER COMPRESSOR	SOUND BLANKET PART NUMBER	QUANTITY PER COMPRESSOR
015-04045-xxx	025-37888-000	1	010-06507-002	1
015-04055-xxx	025-40351-000	1	010-06507-007	1
015-04052-xxx	025-37853-000	1	010-06507-000	1

**TABLE 4C – COMPRESSOR COMPONENTS**

ITEM	REF. NO.	DESCRIPTION	YORK NO.
<b>A</b>	071-0520-05	Module Protector	025-38995-000
<b>B</b>	005-0892-00	Cover, T-Box	025-38996-000



50459-1

**FIG. 4A – COMPRESSOR (REF. TABLE 4)**

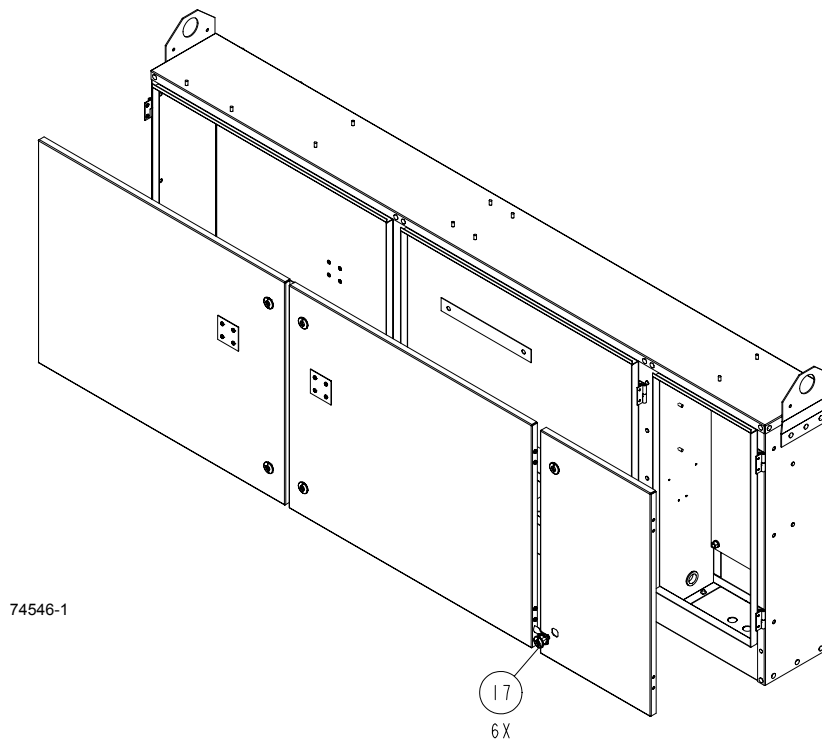
# CONTROL PANEL AND POWER PANEL CONFIGURATIONS

Power panels and option panels are offered in several different configurations using three (3) major components:

1. TERMINAL BLOCKS
2. CIRCUIT BREAKERS
3. NON-FUSED DISCONNECT SWITCHES

The most basic chiller power wiring configuration uses TERMINAL BLOCKS in the power panels, and an options panel with no power wire termination hardware. The model pin number locations 16 and 17 would be X and X to reflect this basic combination. Identify model pin number locations 16 and 17 to identify the chiller power wiring connections and hardware listed below.

PIN 16 & 17 LETTER CODE IDENTIFIERS		OPTION PANEL AND POWER PANEL CONFIGURATIONS
S	X	Single Point Supply Terminal Block
S	D	Single Point Supply Non-Fused Disconnect Switch
B	X	Single Point Supply Circuit Breaker



ITEM NUMBER	DESCRIPTION	YORK NO.
17	Door Lock	021-32078-000
18	Key (Not Shown)	021-32231-000

**FIG. 5 – CONTROL AND POWER PANEL DOOR LOCK COMPONENTS**

Control & Power Panel

# CONTROL PANEL AND POWER PANEL COMPONENTS

**TABLE 5 – CONTROL PANEL AND POWER PANEL IDENTIFIERS**  
 (TO IDENTIFY REPLACEMENT PART NUMBERS, SELECT PANEL IDENTIFIER NUMBER FROM THE TABLES BELOW OR FROM THE PANEL IDENTIFIER LABEL SHOWN ON FIG. 6, PAGE 19 , THEN REFER TO THE ‘CONTROL AND POWER PANEL COMPONENTS’ INFORMATION (TABLE 6, PAGES 21-27, SEE ALSO FIG. 6A, PAGE 20)

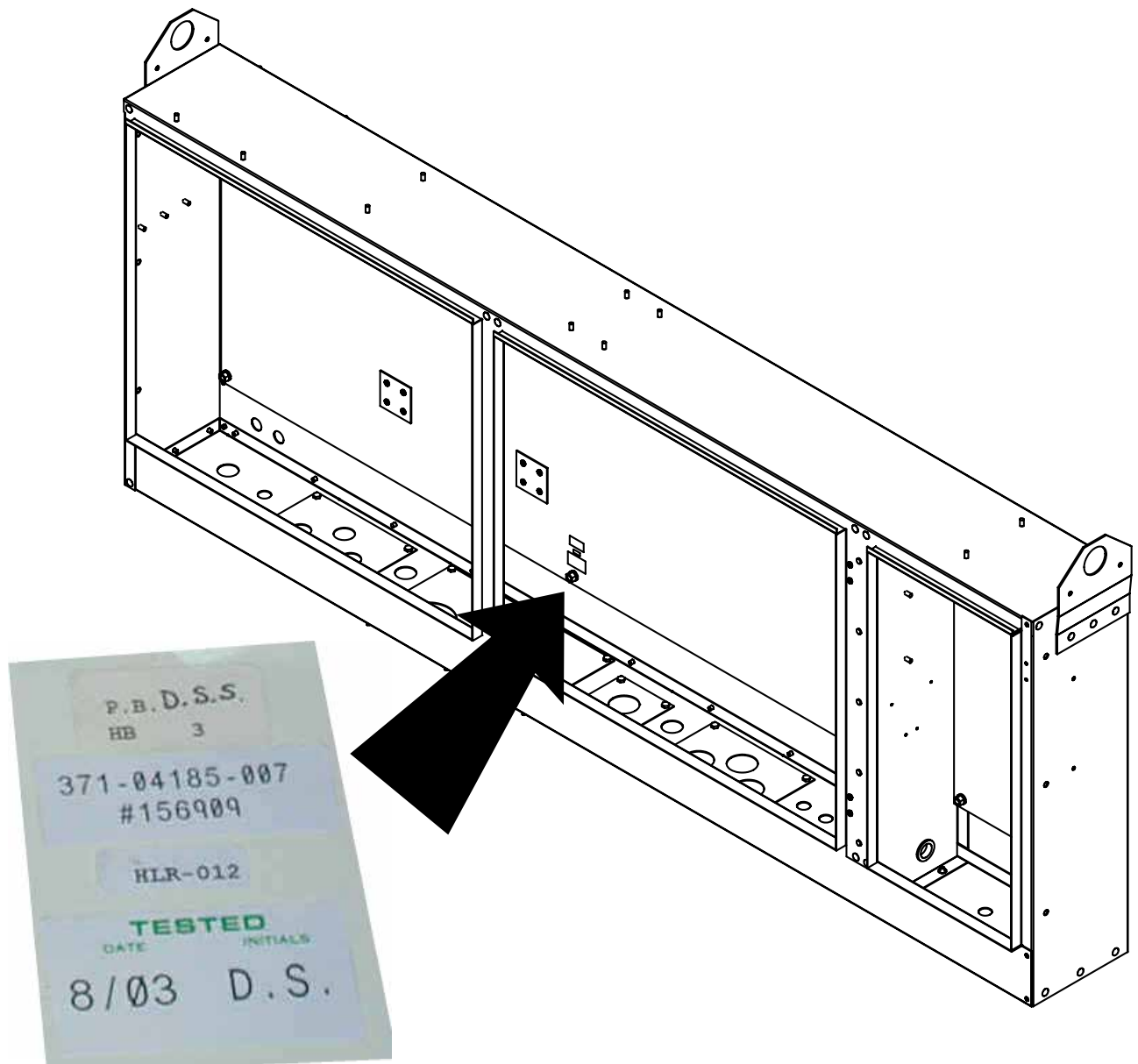
MODEL	VOLTAGE CODE	SINGLE POINT TERMINAL BLOCK (SX)	SINGLE POINT NON-FUSED DISCONNECT SWITCH (SD)	SINGLE POINT CIRCUIT BREAKER (BX)	SINGLE POINT NON-FUSED DISCONNECT SWITCH w/ IND. SYS. CIRCUIT BREAKERS (DB)
YLUA0078	17	371-05245-101	371-05245-201	371-05245-301	371-05245-401
	28	371-05245-102	371-05245-202	371-05245-302	371-05245-402
	40	371-05245-103	371-05245-203	371-05245-303	371-05245-403
	46	371-05245-104	371-05245-204	371-05245-304	371-05245-404
	58	371-05245-105	371-05245-205	371-05245-305	371-05245-405
YLUA0088	17	371-05245-107	371-05245-207	371-05245-307	371-05245-407
	28	371-05245-108	371-05245-208	371-05245-308	371-05245-408
	40	371-05245-109	371-05245-209	371-05245-309	371-05245-409
	46	371-05245-110	371-05245-210	371-05245-310	371-05245-410
	58	371-05245-111	371-05245-211	371-05245-311	371-05245-411
YLUA0095	17	371-05246-101	371-05246-201	371-05246-301	371-05246-401
	28	371-05246-102	371-05246-202	371-05246-302	371-05246-402
	40	371-05246-103	371-05246-203	371-05246-303	371-05246-403
	46	371-05246-104	371-05246-204	371-05246-304	371-05246-404
	58	371-05246-105	371-05246-205	371-05246-305	371-05246-405
YLUA0098	17	371-05244-101	371-05244-201	371-05244-301	371-05244-401
	28	371-05244-102	371-05244-202	371-05244-302	371-05244-402
	40	371-05244-103	371-05244-203	371-05244-303	371-05244-403
	46	371-05244-104	371-05244-204	371-05244-304	371-05244-404
	58	371-05244-105	371-05244-205	371-05244-305	371-05244-405
YLUA0108	17	371-05246-107	371-05246-207	371-05246-307	371-05246-407
	28	371-05246-108	371-05246-208	371-05246-308	371-05246-408
	40	371-05246-109	371-05246-209	371-05246-309	371-05246-409
	46	371-05246-110	371-05246-210	371-05246-310	371-05246-410
	58	371-05246-111	371-05246-211	371-05246-311	371-05246-411

# CONTROL PANEL AND POWER PANEL COMPONENTS

**TABLE 5 (CONT'D) – CONTROL PANEL AND POWER PANEL IDENTIFIERS**  
 (TO IDENTIFY REPLACEMENT PART NUMBERS, SELECT PANEL IDENTIFIER NUMBER FROM THE TABLES BELOW OR FROM THE PANEL IDENTIFIER LABEL SHOWN ON FIG. 6, PAGE 19 , THEN REFER TO THE 'CONTROL AND POWER PANEL COMPONENTS' INFORMATION (TABLE 6, PAGES 21-27, SEE ALSO FIG. 6A, PAGE 20)

MODEL	VOLTAGE CODE	SINGLE POINT TERMINAL BLOCK (SX)	SINGLE POINT NON-FUSED DISCONNECT SWITCH (SD)	SINGLE POINT CIRCUIT BREAKER (BX)	SINGLE POINT NON-FUSED DISCONNECT SWITCH w/ IND. SYS. CIRCUIT BREAKERS (DB)
YLUA0130	17	371-05244-107	371-05244-207	371-05244-307	371-05244-407
	28	371-05244-108	371-05244-208	371-05244-308	371-05244-408
	40	371-05244-109	371-05244-209	371-05244-309	371-05244-409
	46	371-05244-110	371-05244-210	371-05244-310	371-05244-410
	58	371-05244-111	371-05244-211	371-05244-311	371-05244-411
YLUA0148	17	371-05246-113	371-05246-213	371-05246-313	371-05246-413
	28	371-05246-114	371-05246-214	371-05246-314	371-05246-414
	40	371-05246-115	371-05246-215	371-05246-315	371-05246-415
	46	371-05246-116	371-05246-216	371-05246-316	371-05246-416
	58	371-05246-117	371-05246-217	371-05246-317	371-05246-417
YLUA0158	17	371-05246-119	371-05246-219	371-05246-319	371-05246-419
	28	371-05246-120	371-05246-220	371-05246-320	371-05246-420
	40	371-05246-121	371-05246-221	371-05246-321	371-05246-421
	46	371-05246-122	371-05246-222	371-05246-322	371-05246-422
	58	371-05246-123	371-05246-223	371-05246-323	371-05246-423

## POWER PANEL COMPONENTS



Control & Power Panel

74546-3

**FIG. 6 – PANEL PART NUMBER STICKER - (REF. TABLE 6, PAGES 21-27)**

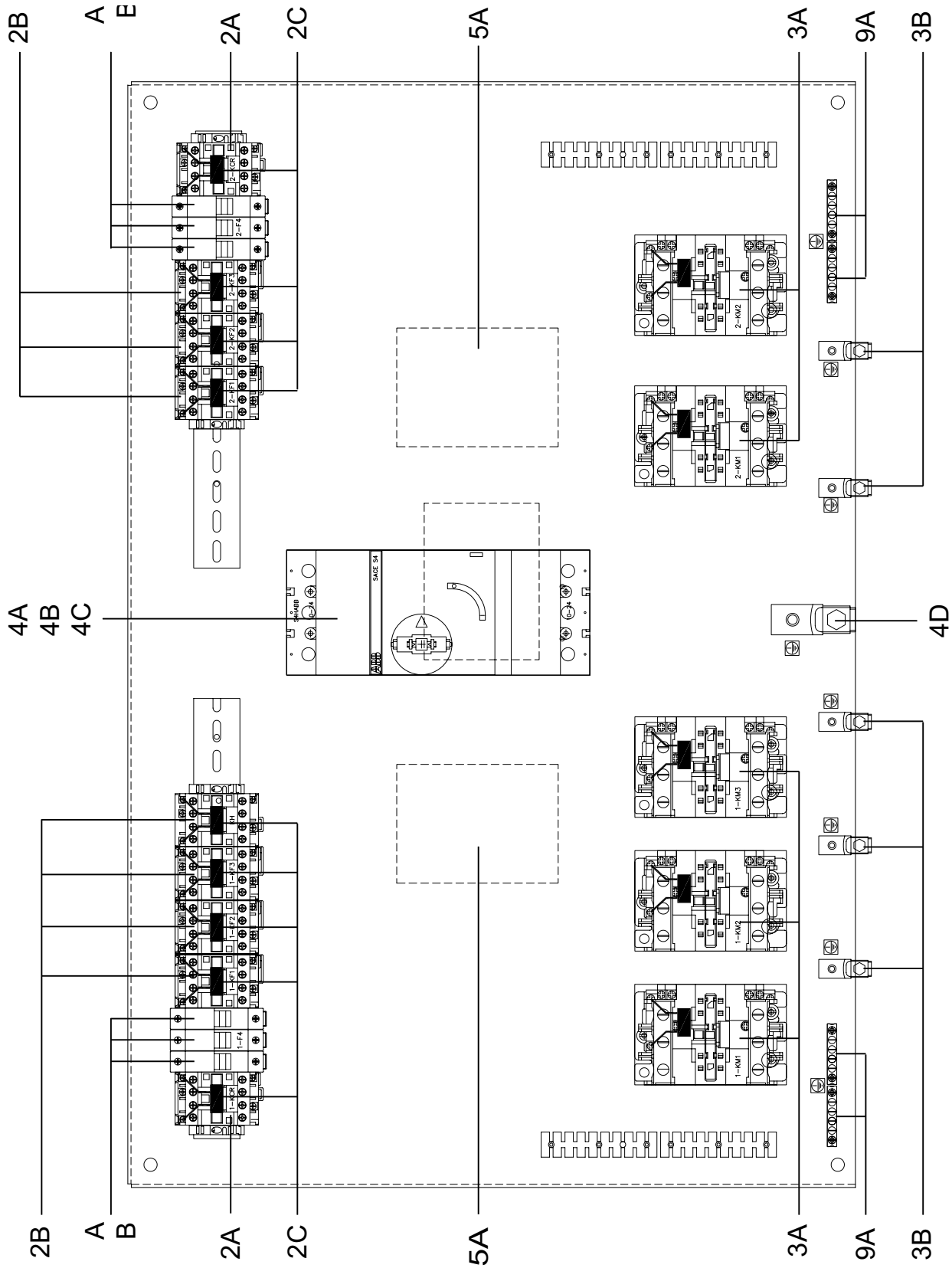
**\*Service Note:**

*Locate the PANEL NUMBER sticker on the bottom, center of the power panel, see Figure 6, then refer to the appropriate parts list on Table 6 for the panel components.*

**Note #1:**

*Lug Kits for Circuit Breakers or Non-Fused Disconnect Switches - See LUG KIT TABLE on Page 28.*

# POWER PANEL COMPONENTS (CONT'D)



DSCN0003

FIG. 6A – PANEL PART NUMBER STICKER - (REF. TABLE 6, PAGES 21-27)

# POWER PANEL COMPONENTS (CONT'D)

**TABLE 6 – POWER PANEL COMPONENTS - YLUA0078 (SEE FIG. 6, PAGE 19)**

Item No.	Qty.	Description	Single Point Terminal Block (SX)	Single Point Non-Fused Disconnect Switch (SD)	Single Point Circuit Breaker (BX)	Single Point Non-Fused Disconnect Switch w/ Ind. System Circuit Breakers (DB)
<b>2A<sup>s</sup></b>	3	Fan Control Relay	<b>371-05245-10x</b> 024-35526-000	<b>371-05245-20x</b> 024-35526-000	<b>371-05245-30x</b> 024-35526-000	<b>371-05245-40x</b> 024-35526-000
<b>2B<sup>s</sup></b>	4	Fan Contactor (-17, -28 & -40)	024-35444-000 (12A)**	024-35444-000 (12A)**	024-35444-000 (12A)**	024-35444-000 (12A)**
		Fan Contactor (-46 & -58)	024-35441-000 (9A)**	024-35441-000 (9A)**	024-35441-000 (9A)**	024-35441-000 (9A)**
<b>2C</b>	13	Surge Suppressor	031-00808-000	031-00808-000	031-00808-000	031-00808-000
<b>3A</b>	6	Compressor Contactor (-17)	024-35470-000 (80A)**	024-35470-000 (80A)**	024-35470-000 (80A)**	024-35470-000 (80A)**
	2	Compressor Contactor (-28)	024-35470-000 (80A)**	024-35470-000 (80A)**	024-35470-000 (80A)**	024-35470-000 (80A)**
	4		024-35467-000 (65A)**	024-35467-000 (65A)**	024-35467-000 (65A)**	024-35467-000 (65A)**
	6	Compressor Contactor (-40, -46 & -58)	024-35462-000 (50A)**	024-35462-000 (50A)**	024-35462-000 (50A)**	024-35462-000 (50A)**
<b>3B</b>	6	Ground Lug	025-34088-000	025-34088-000	025-34088-000	025-34088-000
	1	Terminal Block	025-39410-000	N/A	N/A	N/A
<b>4A</b>	1	Circuit Breaker (-17 & -28)	N/A	N/A	025-34424-000	N/A
		Circuit Breaker (-40, -46 & -58)	N/A	N/A	025-34419-000	N/A
	1	Non-Fused Disc. Sw. (-17 & -28)	N/A	024-30965-000	N/A	024-30965-000
	1	Non-Fused Disc. Sw. (-40, -46 & -58)	N/A	024-30963-000	N/A	024-30963-000
<b>4B</b>	3	Safety Cover (use w/ TB)	025-39393-000	N/A	N/A	N/A
<b>4C</b>	1	Oper. Mech. (use w/ CB or NFDS)	N/A	024-31878-000	024-31878-000	024-31878-000
<b>4D</b>	1	Ground Lug	025-34089-000	025-34089-000	025-34089-000	025-34089-000
<b>5A</b>	1	Ind. Sys. Circuit Breaker (Sys. 1)	N/A	N/A	N/A	025-34419-000
	1	Ind. Sys. Circuit Breaker (Sys. 2)	N/A	N/A	N/A	024-31842-000
<b>8A</b>	2	Fuse Holder	025-37863-000	025-37863-000	025-37863-000	025-37863-000
<b>8B</b>	6	Fuse	See Fuse Table on Page 33			
<b>9A</b>	4	Ground Bar	025-35685-000	025-35685-000	025-35685-000	025-35685-000

<sup>s</sup> Recommended Spare Part

**\*\*Service Note:**

Make a visual inspection of the contactors in order to select the correct replacement part.  
 024-35441-000 (9A) R11-D0910-G7  
 024-35444-000 (12A) R11-D1210-G7  
 024-35447-000 (18A) R11-D1810-G7  
 024-35451-000 (25A) R11-D2510-G7  
 024-35462-000 (50A) R11-D5011-G7  
 024-35467-000 (65A) R11-D6511-G7  
 024-35470-000 (80A) R11-D8011-G7  
 024-35473-000 (95A) R11-D9511-G7  
 024-34294-000 (150A) TE-LC1D150-F7

**\*Service Note:**

Locate the PANEL PART NUMBER sticker on the upper right hand corner of the power panel, see Figure 6, Page 19, then refer to the appropriate parts list for that number.

# POWER PANEL COMPONENTS (CONT'D)

**TABLE 6 – POWER PANEL COMPONENTS - YLUA0088 (SEE FIG. 6, PAGE 19)**

Item No.	Qty.	Description	Single Point Terminal Block (SX)	Single Point Non-Fused Disconnect Switch (SD)	Single Point Circuit Breaker (BX)	Single Point Non-Fused Disconnect Switch w/ Ind. System Circuit Breakers (DB)
2A <sup>S</sup>	3	Fan Control Relay	371-05245-10x 024-35526-000	371-05245-20x 024-35526-000	371-05245-30x 024-35526-000	371-05245-40x 024-35526-000
2B <sup>S</sup>	4	Fan Contactor (-17, -28 & -40)	024-35444-000 (12A)**	024-35444-000 (12A)**	024-35444-000 (12A)**	024-35444-000 (12A)**
		Fan Contactor (-46 & -58)	024-35441-000 (9A)**	024-35441-000 (9A)**	024-35441-000 (9A)**	024-35441-000 (9A)**
2C	13	Surge Suppressor	031-00808-000	031-00808-000	031-00808-000	031-00808-000
3A	6	Compressor Contactor (-17)	024-35470-000 (80A)**	024-35470-000 (80A)**	024-35470-000 (80A)**	024-35470-000 (80A)**
	4	Compressor Contactor (-28)	024-35470-000 (80A)**	024-35470-000 (80A)**	024-35470-000 (80A)**	024-35470-000 (80A)**
	2	Compressor Contactor (-28)	024-35467-000 (65A)**	024-35467-000 (65A)**	024-35467-000 (65A)**	024-35467-000 (65A)**
	3	Compressor Contactor (-40)	024-35467-000 (65A)**	024-35467-000 (65A)**	024-35467-000 (65A)**	024-35467-000 (65A)**
3B	3	Compressor Contactor (-40)	024-35462-000 (50A)**	024-35462-000 (50A)**	024-35462-000 (50A)**	024-35462-000 (50A)**
	6	Compressor Contactor (-46 & -58)	024-35462-000 (50A)**	024-35462-000 (50A)**	024-35462-000 (50A)**	024-35462-000 (50A)**
3B	6	Ground Lug	025-34088-000	025-34088-000	025-34088-000	025-34088-000
	1	Terminal Block	025-39410-000	N/A	N/A	N/A
4A	1	Circuit Breaker (-17 & -28)	N/A	N/A	025-34424-000	N/A
	1	Circuit Breaker (-40, -46 & -58)	N/A	N/A	025-34419-000	N/A
	1	Non-Fused Disc. Sw. (-17 & -28)	N/A	024-30965-000	N/A	024-30965-000
		Non-Fused Disc. Sw. (-40)	N/A	024-30964-000	N/A	024-30964-000
4B	1	Non-Fused Disc. Sw. (-46 & -58)	N/A	024-30963-000	N/A	024-30963-000
	3	Safety Cover (use w/ TB)	025-39393-000	N/A	N/A	N/A
4C	1	Oper. Mech. (use w/ CB or NFDS)	N/A	024-31878-000	024-31878-000	024-31878-000
4D	1	Ground Lug	025-34089-000	025-34089-000	025-34089-000	025-34089-000
5A	1	Ind. Sys. Circuit Breaker (Sys. 1)	N/A	N/A	N/A	025-34419-000
	1	Ind. Sys. Circuit Breaker (Sys. 2)	N/A	N/A	N/A	024-31842-000
8A	2	Fuse Holder	025-37863-000	025-37863-000	025-37863-000	025-37863-000
8B	6	Fuse	See Fuse Table on Page 33			
9A	4	Ground Bar	025-35685-000	025-35685-000	025-35685-000	025-35685-000

<sup>S</sup> Recommended Spare Part

**\*\*Service Note:**  
Make a visual inspection of the contactors in order to select the correct replacement part.  
024-35441-000 (9A) R11-D0910-G7 024-35467-000 (65A) R11-D6511-G7  
024-35444-000 (12A) R11-D1210-G7 024-35470-000 (80A) R11-D8011-G7  
024-35447-000 (18A) R11-D1810-G7 024-35473-000 (95A) R11-D9511-G7  
024-35451-000 (25A) R11-D2510-G7 024-34294-000 (150A) TE-LC1D150-F7  
024-35462-000 (50A) R11-D5011-G7

**\*Service Note:**  
Locate the PANEL PART NUMBER sticker on the upper right hand corner of the power panel, see Figure 6, Page 19, then refer to the appropriate parts list for that number.

# POWER PANEL COMPONENTS (CONT'D)

**TABLE 6 – POWER PANEL COMPONENTS - YLUA0095 (SEE FIG. 6, PAGE 19)**

Item No.	Qty.	Description	Single Point Terminal Block (SX)	Single Point Non-Fused Disconnect Switch (SD)	Single Point Circuit Breaker (BX)	Single Point Non-Fused Disconnect Switch w/ Ind. System Circuit Breakers (DB)
2A <sup>S</sup>	3	Fan Control Relay	371-05246-10x 024-35526-000	371-05246-20x 024-35526-000	371-05246-30x 024-35526-000	371-05246-40x 024-35526-000
	2B <sup>S</sup>	Fan Contactor (-17, -28 & -40)	024-35444-000 (12A)**	024-35444-000 (12A)**	024-35444-000 (12A)**	024-35444-000 (12A)**
4		Fan Contactor (-46 & -58)	024-35441-000 (9A)**	024-35441-000 (9A)**	024-35441-000 (9A)**	024-35441-000 (9A)**
2C	14	Surge Suppressor	031-00808-000	031-00808-000	031-00808-000	031-00808-000
	4	Compressor Contactor (-17)	024-35470-000 (80A)**	024-35470-000 (80A)**	024-35470-000 (80A)**	024-35470-000 (80A)**
1	024-34294-000 (150A)**		024-34294-000 (150A)**	024-34294-000 (150A)**	024-34294-000 (150A)**	
3A	4	Compressor Contactor (-28)	024-35470-000 (80A)**	024-35470-000 (80A)**	024-35470-000 (80A)**	024-35470-000 (80A)**
	1	Compressor Contactor (-40)	024-35473-000 (95A)**	024-35473-000 (95A)**	024-35467-000 (65A)**	024-35467-000 (65A)**
	4		024-35467-000 (65A)**	024-35467-000 (65A)**	024-35467-000 (65A)**	024-35467-000 (65A)**
	1		024-35473-000 (95A)**	024-35473-000 (95A)**	024-35462-000 (50A)**	024-35462-000 (50A)**
4	Compressor Contactor (-46 & -58)	024-35462-000 (50A)**	024-35462-000 (50A)**	024-35462-000 (50A)**	024-35462-000 (50A)**	
3B	1	Ground Lug	024-35470-000 (80A)**	024-35470-000 (80A)**	024-35470-000 (80A)**	024-35470-000 (80A)**
	5		025-34088-000	025-34088-000	025-34088-000	025-34088-000
4A	1	Terminal Block (-17 & -28)	025-32536-000	N/A	N/A	N/A
	1	Terminal Block (-40, -46 & -58)	025-34910-000	N/A	N/A	N/A
		Circuit Breaker (-17 & -28)	N/A	N/A	025-34424-000	N/A
	1	Circuit Breaker (-40, -46 & -58)	N/A	N/A	025-34419-000	N/A
4B	1	Non-Fused Disc. Sw. (-17 & -28)	N/A	024-30965-000	N/A	024-30965-000
	1	Non-Fused Disc. Sw. (-40)	N/A	024-30964-000	N/A	024-30964-000
	1	Non-Fused Disc. Sw. (-46 & -58)	N/A	024-30963-000	N/A	024-30963-000
4C	3	Safety Cover (use w/ TB -17 & -28)	025-39397-000	N/A	N/A	N/A
	3	Safety Cover (use w/ TB -40, -46 & -58)	025-39393-000	N/A	N/A	N/A
4C	1	Oper. Mech. (use w/ CB or NFDS)	N/A	024-31878-000	024-31878-000	024-31878-000
4D	1	Ground Lug	025-34089-000	025-34089-000	025-34089-000	025-34089-000
5A	1	Ind. Sys. Circuit Breaker (Sys. 1)	N/A	N/A	N/A	025-34419-000
	1	Ind. Sys. Circuit Breaker (Sys. 2)	N/A	N/A	N/A	024-31842-000
8A	2	Fuse Holder	025-37863-000	025-37863-000	025-37863-000	025-37863-000
8B	6	Fuse	See Fuse Table on Page 33			
9A	4	Ground Bar	025-35685-000	025-35685-000	025-35685-000	025-35685-000

<sup>S</sup> Recommended Spare Part

**\*\*Service Note:**

Make a visual inspection of the contactors in order to select the correct replacement part.  
 024-35441-000 (9A) R11-D0910-G7 024-35467-000 (65A) R11-D6511-G7  
 024-35444-000 (12A) R11-D1210-G7 024-35470-000 (80A) R11-D8011-G7  
 024-35447-000 (18A) R11-D1810-G7 024-35473-000 (95A) R11-D9511-G7  
 024-35451-000 (25A) R11-D2510-G7 024-34294-000 (150A) TE-LC1D150-F7  
 024-35462-000 (50A) R11-D5011-G7

**\*Service Note:**

Locate the PANEL PART NUMBER sticker on the upper right hand corner of the power panel, see Figure 6, Page 19, then refer to the appropriate parts list for that number.



# POWER PANEL COMPONENTS (CONT'D)

**TABLE 6 – POWER PANEL COMPONENTS - YLUA0098 (SEE FIG. 6, PAGE 19)**

Item No.	Qty.	Description	Single Point Terminal Block (SX)	Single Point Non-Fused Disconnect Switch (SD)	Single Point Circuit Breaker (BX)	Single Point Non-Fused Disconnect Switch w/ Ind. System Circuit Breakers (DB)
<b>2A<sup>S</sup></b>	3	Fan Control Relay	371-05244-10x 024-35526-000	371-05244-20x 024-35526-000	371-05244-30x 024-35526-000	371-05244-40x 024-35526-000
<b>2B<sup>S</sup></b>	6	Fan Contactor (-17, -28 & -40)	024-35444-000 (12A)**	024-35444-000 (12A)**	024-35444-000 (12A)**	024-35444-000 (12A)**
		Fan Contactor (-46 & -58)	024-35441-000 (9A)**	024-35441-000 (9A)**	024-35441-000 (9A)**	024-35441-000 (9A)**
<b>2C</b>	13	Surge Suppressor	031-00808-000	031-00808-000	031-00808-000	031-00808-000
		Compressor Contactor (-17 & -28)	024-34294-000 (150A)**	024-34294-000 (150A)**	024-34294-000 (150A)**	024-34294-000 (150A)**
<b>3A</b>	2	Compressor Contactor (-40)	024-35470-000 (80A)**	024-35470-000 (80A)**	024-35470-000 (80A)**	024-35470-000 (80A)**
	2		024-35467-000 (65A)**	024-35467-000 (65A)**	024-35467-000 (65A)**	024-35467-000 (65A)**
	2		024-35473-000 (D9511)**	024-35473-000 (95A)**	024-35462-000 (50A)**	024-35462-000 (50A)**
	2		024-35462-000 (50A)**	024-35462-000 (50A)**	024-35462-000 (50A)**	024-35462-000 (50A)**
<b>3B</b>	4	Ground Lug	025-34088-000	025-34088-000	025-34088-000	025-34088-000
		Terminal Block (-17 & -28)	025-32536-000	N/A	N/A	N/A
<b>4A</b>	1	Terminal Block (-40, -46 & -58)	025-34910-000	N/A	N/A	N/A
		Circuit Breaker (-17 & -28)	N/A	N/A	025-34425-000	N/A
		Circuit Breaker (-40, -46 & -58)	N/A	N/A	025-34424-000	N/A
		Non-Fused Disc. Sw. (-17 & -28)	N/A	024-30965-000	N/A	024-30965-000
		Non-Fused Disc. Sw. (-40)	N/A	024-30964-000	N/A	024-30964-000
		Non-Fused Disc. Sw. (-46 & -58)	N/A	024-30963-000	N/A	024-30963-000
<b>4B</b>	3	Safety Cover (use w/ TB -17 & -28)	025-39397-000	N/A	N/A	N/A
		Safety Cover (use w/ TB -40, -46 & -58)	025-39393-000	N/A	N/A	N/A
<b>4C</b>	1	Oper. Mech. (use w/ CB or NFDs)	N/A	024-31878-000	024-31878-000	024-31878-000
<b>4D</b>	1	Ground Lug	025-34089-000	025-34089-000	025-34089-000	025-34089-000
<b>5A</b>	1	Ind. Sys. Circuit Breaker (Sys. 1)	N/A	N/A	N/A	025-34419-000
		Ind. Sys. Circuit Breaker (Sys. 2)	N/A	N/A	N/A	025-34419-000
<b>8A</b>	2	Fuse Holder	025-37863-000	025-37863-000	025-37863-000	025-37863-000
<b>8B</b>	6	Fuse	See Fuse Table on Page 33			
<b>9A</b>	4	Ground Bar	025-35685-000	025-35685-000	025-35685-000	025-35685-000

\* Recommended Spare Part

\*\*Service Note:

Make a visual inspection of the contactors in order to select the correct replacement part.  
 024-35441-000 (9A) R11-D0910-G7 024-35467-000 (65A) R11-D6511-G7  
 024-35444-000 (12A) R11-D1210-G7 024-35470-000 (80A) R11-D8011-G7  
 024-35447-000 (18A) R11-D1810-G7 024-35473-000 (95A) R11-D9511-G7  
 024-35451-000 (25A) R11-D2510-G7 024-34294-000 (150A) TE-LC1D150-F7  
 024-35462-000 (50A) R11-D5011-G7

\*Service Note:

Locate the PANEL PART NUMBER sticker on the upper right hand corner of the power panel, see Figure 6, Page 19, then refer to the appropriate parts list for that number.

# POWER PANEL COMPONENTS (CONT'D)

**TABLE 6 – POWER PANEL COMPONENTS - YLUA0130 (SEE FIG. 6, PAGE 19)**

Item No.	Qty.	Description	Single Point Terminal Block (SX)	Single Point Non-Fused Disconnect Switch (SD)	Single Point Circuit Breaker (BX)	Single Point Non-Fused Disconnect Switch w/ Ind. System Circuit Breakers (DB)
2A <sup>S</sup>	3	Fan Control Relay	371-05244-10x	371-05244-20x	371-05244-30x	371-05244-40x
			024-35526-000	024-35526-000	024-35526-000	024-35526-000
2B <sup>S</sup>	4	Fan Contactor (-17 & -28)	024-35444-000 (12A)**	024-35444-000 (12A)**	024-35444-000 (12A)**	024-35444-000 (12A)**
	2		024-35447-000 (18A)**	024-35447-000 (18A)**	024-35447-000 (18A)**	024-35447-000 (18A)**
	6		024-35444-000 (12A)**	024-35444-000 (12A)**	024-35444-000 (12A)**	024-35444-000 (12A)**
	6		024-35441-000 (9A)**	024-35441-000 (9A)**	024-35441-000 (9A)**	024-35441-000 (9A)**
2C	13	Surge Suppressor	031-00808-000	031-00808-000	031-00808-000	031-00808-000
	4	Compressor Contactor (-17 & -28)	024-34294-000 (150A)**	024-34294-000 (150A)**	024-34294-000 (150A)**	024-34294-000 (150A)**
3A	4	Compressor Contactor (-40)	024-35473-000 (95A)**	024-35473-000 (95A)**	024-35473-000 (95A)**	024-35473-000 (95A)**
	4	Compressor Contactor (-46 & -58)	024-35470-000 (80A)**	024-35470-000 (80A)**	024-35470-000 (80A)**	024-35470-000 (80A)**
	4	Ground Lug	025-34088-000	025-34088-000	025-34088-000	025-34088-000
4A	1	Terminal Block (-17 & -28)	025-32536-000	N/A	N/A	N/A
		Terminal Block (-40, -46 & -58)	025-34910-000	N/A	N/A	N/A
	1	Circuit Breaker (-17 & -28)	N/A	N/A	025-34425-000	N/A
	1	Circuit Breaker (-40, -46 & -58)	N/A	N/A	025-34424-000	N/A
4B	1	Non-Fused Disc. Sw. (-17 & -28)	N/A	024-31889-000	N/A	024-31889-000
		Non-Fused Disc. Sw. (-40, -46 & -58)	N/A	024-30964-000	N/A	024-30964-000
	3	Safety Cover (use w/ TB -17 & -28)	025-39397-000	N/A	N/A	N/A
4C	1	Safety Cover (use w/ TB -40, -46 & -58)	025-39393-000	N/A	N/A	N/A
	1	Oper. Mech. (use w/ CB or NFDS)	N/A	024-31878-000	024-31878-000	024-31878-000
4D	1	Ground Lug	025-34089-000	025-34089-000	025-34089-000	025-34089-000
	2	Ind. Sys. Circuit Breaker (-17 & -28)	N/A	N/A	N/A	025-34424-000
5A	2	Ind. Sys. Circuit Breaker (-40, -46 & -58)	N/A	N/A	N/A	025-34419-000
	2	Fuse Holder	025-37863-000	025-37863-000	025-37863-000	025-37863-000
8B	6	Fuse	See Fuse Table on Page 33			
9A	4	Ground Bar	025-35685-000	025-35685-000	025-35685-000	025-35685-000

\* Recommended Spare Part

\*\*Service Note:  
Locate the PANEL PART NUMBER sticker on the upper right hand corner of the power panel, see Figure 6, Page 19, then refer to the appropriate parts list for that number.

\*\*Service Note:

Make a visual inspection of the contactors in order to select the correct replacement part.  
 024-35441-000 (9A) R11-D0910-G7 024-35467-000 (65A) R11-D6511-G7  
 024-35444-000 (12A) R11-D1210-G7 024-35470-000 (80A) R11-D8011-G7  
 024-35447-000 (18A) R11-D1810-G7 024-35473-000 (95A) R11-D9511-G7  
 024-35441-000 (9A) R11-D2510-G7 024-34294-000 (150A) TE-LC1D150-F7  
 024-35462-000 (50A) R11-D5011-G7



TABLE 6 – POWER PANEL COMPONENTS - YLUA0148 (SEE FIG. 6, PAGE 19)

Item No.	Qty.	Description	Single Point Terminal Block (SX)	Single Point Non-Fused Disconnect Switch (SD)	Single Point Circuit Breaker (BX)	Single Point Non-Fused Disconnect Switch w/ Ind. System Circuit Breakers (DB)
2A <sup>S</sup>	3	Fan Control Relay	371-05246-10x 024-35526-000	371-05246-20x 024-35526-000	371-05246-30x 024-35526-000	371-05246-40x 024-35526-000
	3	Fan Contactor (-17 & -28)	024-35444-000 (12A)**	024-35444-000 (12A)**	024-35444-000 (12A)**	024-35444-000 (12A)**
	3		024-35447-000 (18A)**	024-35447-000 (18A)**	024-35447-000 (18A)**	024-35447-000 (18A)**
2B <sup>S</sup>	4	Fan Contactor (-40)	024-35444-000 (12A)**	024-35444-000 (12A)**	024-35444-000 (12A)**	024-35444-000 (12A)**
	2		024-35447-000 (18A)**	024-35447-000 (18A)**	024-35447-000 (18A)**	024-35447-000 (18A)**
2C	6	Fan Contactor (-46 & -58)	024-35444-000 (12A)**	024-35444-000 (12A)**	024-35444-000 (12A)**	024-35444-000 (12A)**
	14	Surge Suppressor	031-00808-000	031-00808-000	031-00808-000	031-00808-000
3A	4	Compressor Contactor (-17 & -28)	024-34294-000 (150A)**	024-34294-000 (150A)**	024-34294-000 (150A)**	024-34294-000 (150A)**
	1		024-35470-000 (80A)**	024-35470-000 (80A)**	024-35470-000 (80A)**	024-35470-000 (80A)**
	4	Compressor Contactor (-40)	024-35473-000 (95A)**	024-35473-000 (95A)**	024-35473-000 (95A)**	024-35473-000 (95A)**
	1		024-35467-000 (65A)**	024-35467-000 (65A)**	024-35467-000 (65A)**	024-35467-000 (65A)**
	4		024-35470-000 (80A)**	024-35470-000 (80A)**	024-35470-000 (80A)**	024-35470-000 (80A)**
3B	1	Compressor Contactor (-46 & -58)	024-35462-000 (50A)**	024-35462-000 (50A)**	024-35462-000 (50A)**	024-35462-000 (50A)**
	5	Ground Lug	025-34088-000	025-34088-000	025-34088-000	025-34088-000
4A	1	Terminal Block (-17 & -28)	025-32536-000	N/A	N/A	N/A
	1	Terminal Block (-40, -46 & -58)	025-34910-000	N/A	N/A	N/A
	1	Circuit Breaker (-17 & -28)	N/A	N/A	025-34473-000	N/A
	1	Circuit Breaker (-40, -46 & -58)	N/A	N/A	025-34424-000	N/A
	1	Non-Fused Disc. Sw. (-17 & -28)	N/A	024-31889-000	N/A	024-31889-000
4B	1	Non-Fused Disc. Sw. (-40)	N/A	024-30965-000	N/A	024-30965-000
	1	Non-Fused Disc. Sw. (-46 & -58)	N/A	024-30964-000	N/A	024-30964-000
	3	Safety Cover (use w/ TB -17 & -28)	025-39397-000	N/A	N/A	N/A
4C	1	Safety Cover (use w/ TB -40, -46 & -58)	025-39393-000	N/A	N/A	N/A
	1	Oper. Mech. (use w/ CB or NFDS)	N/A	024-31878-000	024-31878-000	024-31878-000
4D	1	Ground Lug	025-34089-000	025-34089-000	025-34089-000	025-34086-000
	2	Ind. Sys. Circuit Breaker (-17 & -28)	N/A	N/A	N/A	025-34424-000
5A	2	Ind. Sys. Circuit Breaker (-40, -46 & -58)	N/A	N/A	N/A	025-34419-000
	2	Fuse Holder	025-37863-000	025-37863-000	025-37863-000	025-37863-000
8B	6	Fuse	See Fuse Table on Page 33			
9A	4	Ground Bar	025-35685-000	025-35685-000	025-35685-000	025-35685-000

<sup>s</sup> Recommended Spare Part

**\*\*Service Note:**  
Make a visual inspection of the contactors in order to select the correct replacement part.  
024-35441-000 (9A) R11-D0910-G7 024-35467-000 (65A) R11-D6511-G7  
024-35444-000 (12A) R11-D1210-G7 024-35470-000 (80A) R11-D8011-G7  
024-35447-000 (18A) R11-D1810-G7 024-35473-000 (95A) R11-D9511-G7  
024-35451-000 (25A) R11-D2510-G7 024-34294-000 (150A) TE-LC1D150-F7  
024-35462-000 (50A) R11-D5011-G7

**\*Service Note:**  
Locate the PANEL PART NUMBER sticker on the upper right hand corner of the power panel, see Figure 6, Page 19, then refer to the appropriate parts list for that number.

POWER PANEL COMPONENTS (CONT'D)

# POWER PANEL COMPONENTS (CONT'D)

**TABLE 6 – POWER PANEL COMPONENTS - YLUA0158 (SEE FIG. 6, PAGE 19)**

Item No.	Qty.	Description	Single Point Terminal Block (SX)	Single Point Non-Fused Disconnect Switch (SD)	Single Point Circuit Breaker (BX)	Single Point Non-Fused Disconnect Switch w/ Ind. System Circuit Breakers (DB)
2A <sup>S</sup>	3	Fan Control Relay	371-05246-10x 024-35526-000	371-05246-20x 024-35526-000	371-05246-30x 024-35526-000	371-05246-40x 024-35526-000
	4	Fan Contactor (-17 & -28)	024-35447-000 (18A)**	024-35444-000 (12A)**	024-35444-000 (12A)**	024-35444-000 (12A)**
2	024-35451-000 (25A)**		024-35447-000 (18A)**	024-35447-000 (18A)**	024-35447-000 (18A)**	024-35447-000 (18A)**
2B <sup>S</sup>	4	Fan Contactor (-40)	024-35444-000 (12A)**	024-35444-000 (12A)**	024-35444-000 (12A)**	024-35444-000 (12A)**
	2		024-35447-000 (18A)**	024-35447-000 (18A)**	024-35447-000 (18A)**	024-35447-000 (18A)**
2C	6	Fan Contactor (-46 & -58)	024-35444-000 (12A)**	024-35444-000 (12A)**	024-35444-000 (12A)**	024-35444-000 (12A)**
3A	14	Surge Suppressor	031-00808-000	031-00808-000	031-00808-000	031-00808-000
	5	Compressor Contactor (-17 & -28)	024-34294-000 (150A)**	024-34294-000 (150A)**	024-34294-000 (150A)**	024-34294-000 (150A)**
	5	Compressor Contactor (-40)	024-35473-000 (95A)**	024-35473-000 (95A)**	024-35473-000 (95A)**	024-35473-000 (95A)**
3B	5	Compressor Contactor (-46 & -58)	024-35470-000 (80A)**	024-35470-000 (80A)**	024-35470-000 (80A)**	024-35470-000 (80A)**
	5	Ground Lug	025-34088-000	025-34088-000	025-34088-000	025-34088-000
4A	1	Terminal Block (-17 & -28)	025-32536-000	N/A	N/A	N/A
	1	Terminal Block (-40, -46 & -58)	025-34910-000	N/A	N/A	N/A
	1	Circuit Breaker (-17 & -28)	N/A	N/A	025-34473-000	N/A
4B	1	Circuit Breaker (-40, -46 & -58)	N/A	N/A	025-34424-000	N/A
	1	Non-Fused Disc. Sw. (-17 & -28)	N/A	024-31889-000	N/A	024-31889-000
	1	Non-Fused Disc. Sw. (-40, -46 & -58)	N/A	024-30965-000	N/A	024-30965-000
4C	3	Safety Cover (use w/ TB -17 & -28)	025-39397-000	N/A	N/A	N/A
	1	Safety Cover (use w/ TB -40, -46 & -58)	025-39393-000	N/A	N/A	N/A
4D	1	Oper. Mech. (use w/ CB or NFDs)	N/A	024-31878-000	024-31878-000	024-31878-000
5A	1	Ground Lug	025-34089-000	025-34089-000	025-34089-000	025-34089-000
	1	Ind. Sys. Circuit Breaker (-17 & -28)	N/A	N/A	N/A	025-34424-000
8A	1	Ind. Sys. Circuit Breaker (-40, -46 & -58)	N/A	N/A	N/A	025-34419-000
	1		N/A	N/A	N/A	025-34420-000
8B	2	Fuse Holder	025-37863-000	025-37863-000	025-37863-000	025-37863-000
9A	6	Fuse	See Fuse Table on Page 33			
9A	4	Ground Bar	025-35685-000	025-35685-000	025-35685-000	025-35685-000

<sup>S</sup> Recommended Spare Part

**\*\*Service Note:**

Make a visual inspection of the contactors in order to select the correct replacement part.  
 024-35441-000 (9A) RI1-D0910-G7 024-35467-000 (65A) RI1-D6511-G7  
 024-35444-000 (12A) RI1-D1210-G7 024-35470-000 (80A) RI1-D8011-G7  
 024-35447-000 (18A) RI1-D1810-G7 024-35473-000 (95A) RI1-D9511-G7  
 024-35451-000 (25A) RI1-D2510-G7 024-34294-000 (150A) TE-LC1D150-F7  
 024-35462-000 (50A) RI1-D5011-G7

**\*Service Note:**  
 Locate the PANEL PART NUMBER sticker on the upper right hand corner of the power panel, see Figure 6, Page 19, then refer to the appropriate parts list for that number.



# LUG KITS AND FUSES

## LUG KITS TABLE

Lug Kits		Lugs per Kit	Fits CB Frame	Amp	Wire Size	York Part Number
CB-0294	ABB-K4TE	3	S4	250A	#6 - 350 kCMIL	025-34418-000
CB-0295	ABB-K5TF		S5	300A	250 - 500 kCMIL	025-34481-000
CB-0296	ABB-K5TG		S5	400A	#3/0 - 250 kCMIL	025-34420-000
CB-0297	ABB-K6TH		S6	600A	250 - 500 kCMIL	025-34414-000
CB-0298	ABB-K6TJ		S6	800A	#2/0 - 400 kCMIL	025-34415-000

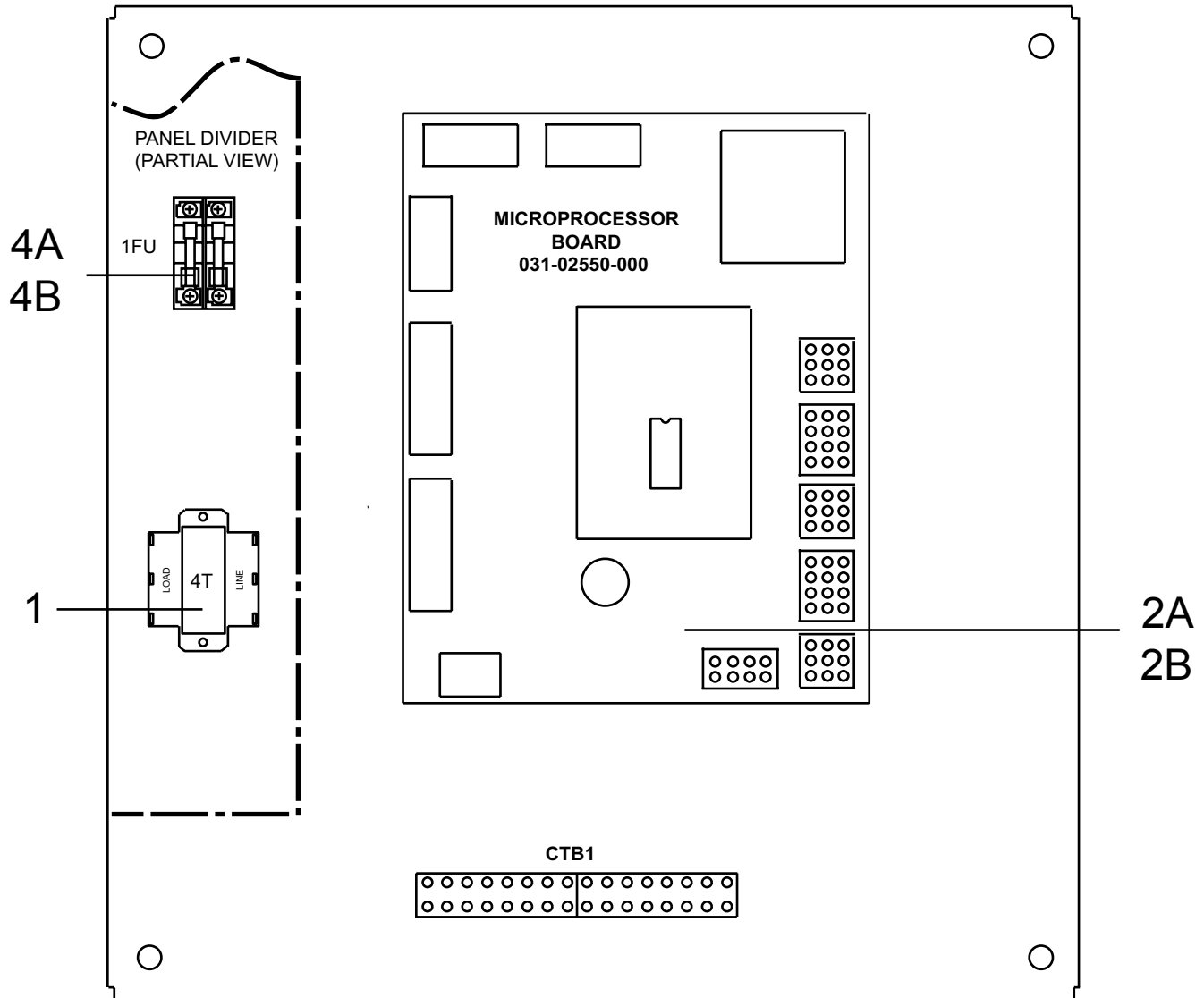
## FUSE TABLE

Fuse		Size	YORK Lug Kit Part Number
FU-0494	600V	15A Time Delay	025-34141-000
FU-0746	600V	30A Time Delay	025-39683-000
FU-0495	600V	20A Time Delay	025-34142-000
FU-0490	600V	8A Time Delay	025-34137-000
FU-0493	600V	12A Time Delay	025-34140-000
FU-0496	600V	25A	025-41732-000

*This page intentionally left blank*

# CONTROL PANEL COMPONENTS

## CONTROL PANEL

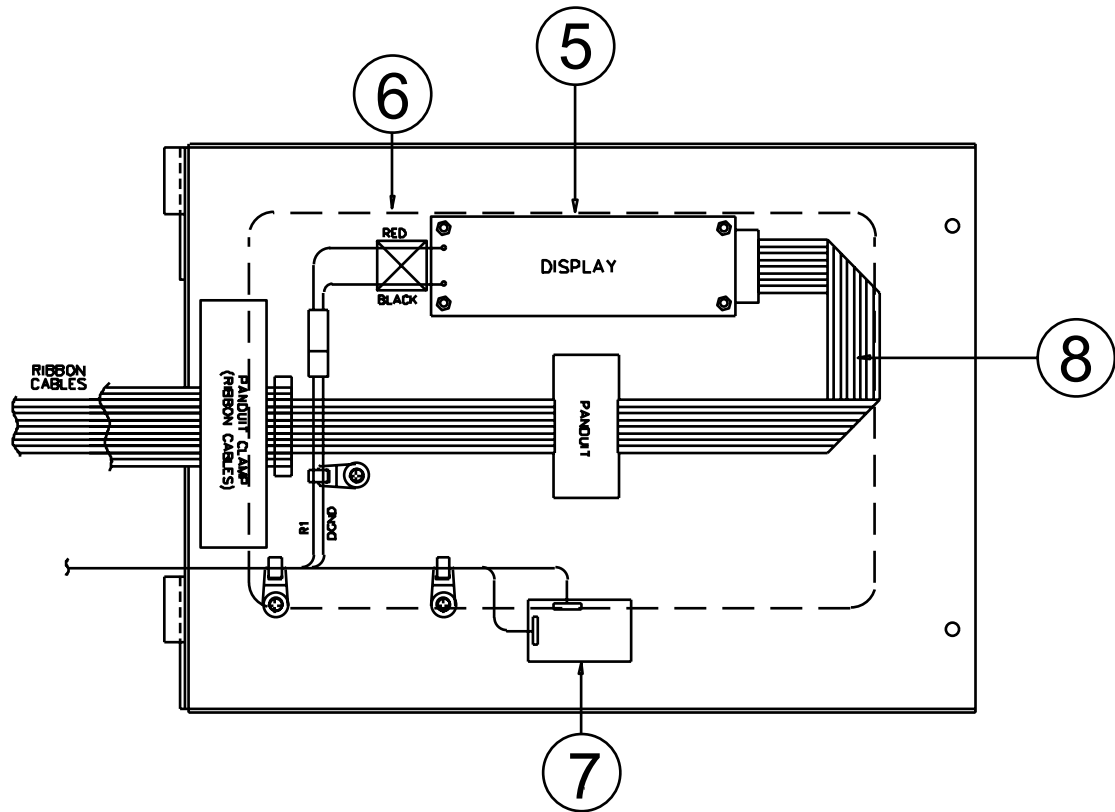


Control & Power Panel

203741-1b

FIG. 7 – CONTROL PANEL COMPONENTS (REF. TABLE 7, PAGE 31)

# CONTROL PANEL COMPONENTS (CONT'D)



DISPLAY DOOR REAR VIEW

LD05167b

**FIG. 7A** – CONTROL PANEL COMPONENTS (REF. TABLE 7, PAGE 31)

**TABLE 7** – CONTROL PANEL COMPONENTS (SEE FIGS. 7 AND 7A, PAGES 30 AND 31)

Item No.	Qty.	Description	Common Parts
1	1	Transformer	025-27911-000
2A <sup>S</sup>	1	Micro / IO Board Kit	331-02550-101
2B <sup>S</sup>	1	Flashcard	031-02755-003
4A	1	Fuse Holder	025-34430-000
4B	1	Fuse	025-35905-000
5	1	Display	031-02749-000
6	1	Keypad	024-36082-007
7	1	Switch, On/Off	024-25517-000
8	1	Ribbon Cable, Display	031-02108-000

<sup>S</sup> Recommended Spare Part

# SENSOR HARNESSSES

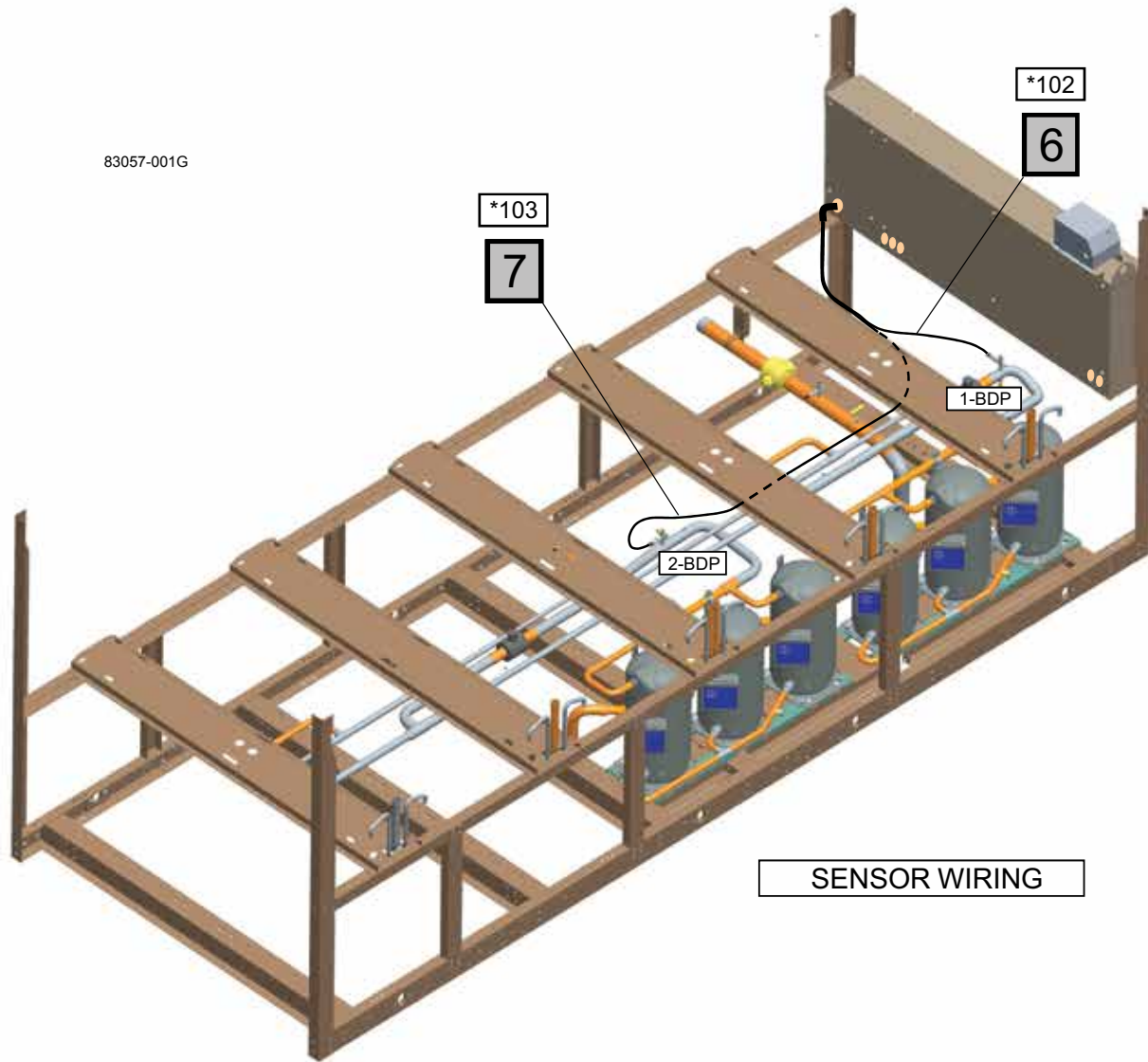
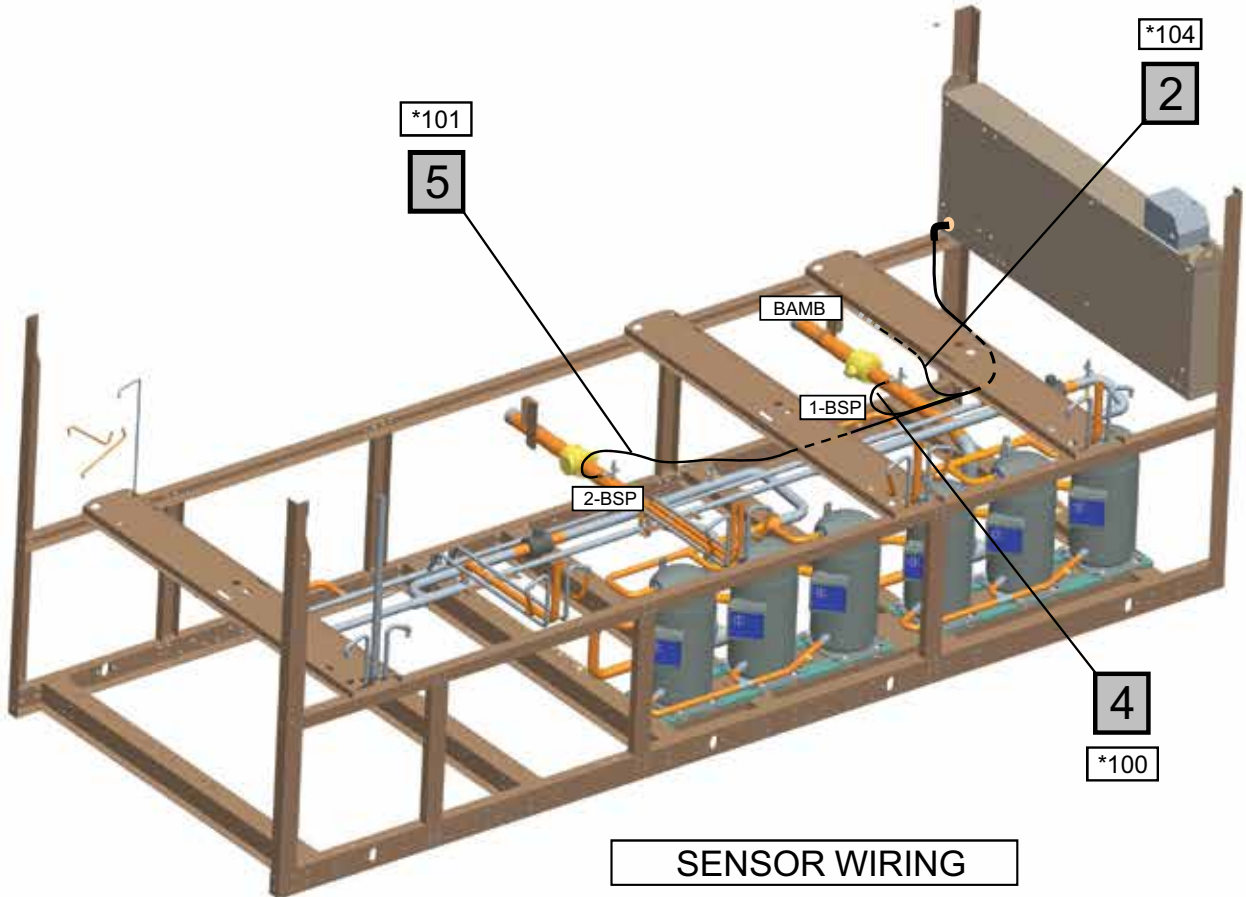


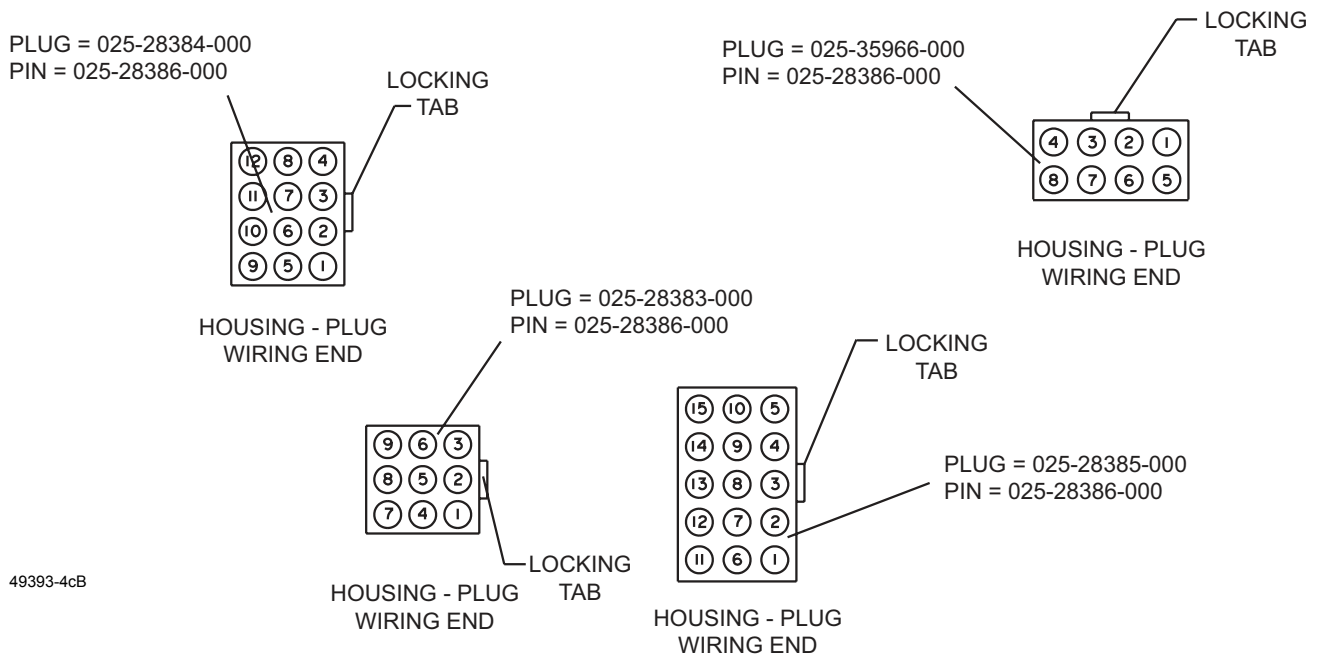
FIG. 8 – HARNESS LAYOUT (REF. TABLES 8 AND 8A, PAGE 34)

# SENSOR HARNESES (CONT'D)



83057-001H

**FIG. 8A – HARNESS LAYOUT (REF. TABLES 8 AND 8A, PAGE 34)**



49393-4cB

**FIG. 8B – SENSOR HOUSING & PIN SOCKET PART NUMBERS (REF. TABLES 8 AND 8A, PAGE 34)**

## SENSOR HARNESSES (CONT'D)

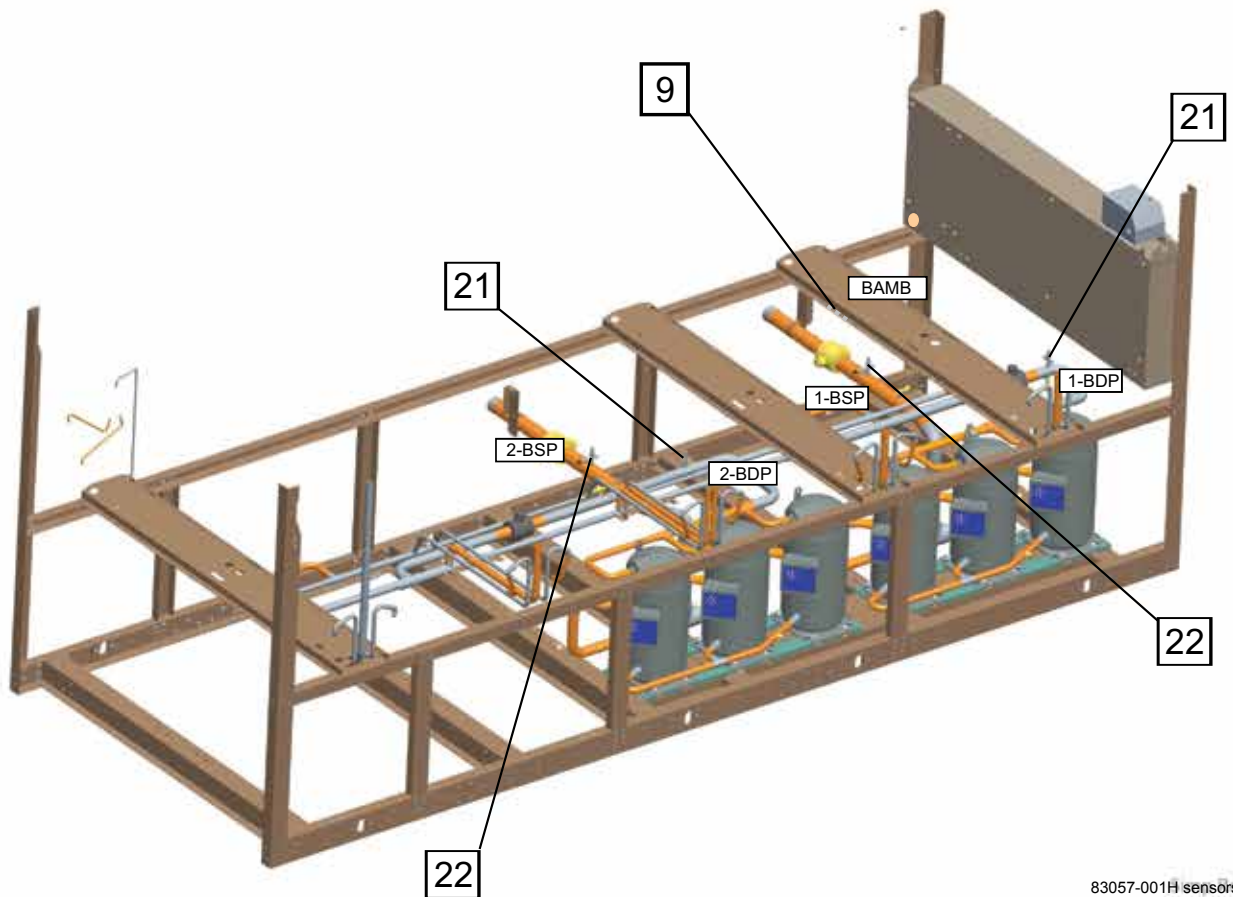
**TABLE 8 – SENSOR HARNESS WIRING - YLUA0078, 0088, 0095, 0108, 0148 & YLUA0158  
(SEE FIGS. 8, 8A AND 8B, PAGES 32 AND 33)**

Board Location	Cable Item No.	Cable No.	Wire Color	Plug Pin No.	Function	Harness Assembly Part Number
MICRO P7	100	4	Red	5	System #1 Suction Pressure	575-72382-321
			White	10		
			Black	9		
			Drain	1		
MICRO P16	102	6	Red	1	System #1 Discharge Pressure	575-72382-309
			White	2		
			Black	3		
			Drain	4		
MICRO P6	105	8	Black	8	Discharge Air Temperature	575-72382-325
			Red	5		
			Drain	2		
	104	2	Black	9	Outside Air Temperature	575-72382-311
Red			6			
MICRO P9	101	5	Drain	3	System #2 Suction Pressure	575-72382-322
			Red	5		
			White	10		
			Black	9		
MICRO P18	103	7	Drain	1	System #2 Discharge Pressure	575-72382-310
			Red	1		
			White	2		
			Black	3		
			Drain	4		
			Red	1		
			White	2		
			Black	3		

**TABLE 8A – SENSOR HARNESS WIRING - YLUA0098 & YLUA0130 (SEE FIGS. 8, 8A AND 8B, PAGES 32 AND 33)**

Board Location	Cable Item No.	Cable No.	Wire Color	Plug Pin No.	Function	Harness Assembly Part Number
MICRO P7	100	4	Red	5	System #1 Suction Pressure	575-72382-323
			White	10		
			Black	9		
			Drain	1		
MICRO P16	102	6	Red	1	System #1 Discharge Pressure	575-72382-302
			White	2		
			Black	3		
			Drain	4		
MICRO P6	105	8	Black	7	Discharge Air Temperature	575-72382-325
			Red	4		
			Drain	1		
	104	2	Black	9	Outside Air Temperature	575-72382-304
Red			6			
MICRO P9	101	5	Drain	3	System #2 Suction Pressure	575-72382-324
			Red	5		
			White	10		
			Black	9		
MICRO P18	103	7	Drain	1	System #2 Discharge Pressure	575-72382-303
			Red	1		
			White	2		
			Black	3		
			Drain	4		
			Red	1		
			White	2		
			Black	3		

## TRANSDUCERS AND TEMP SENSORS



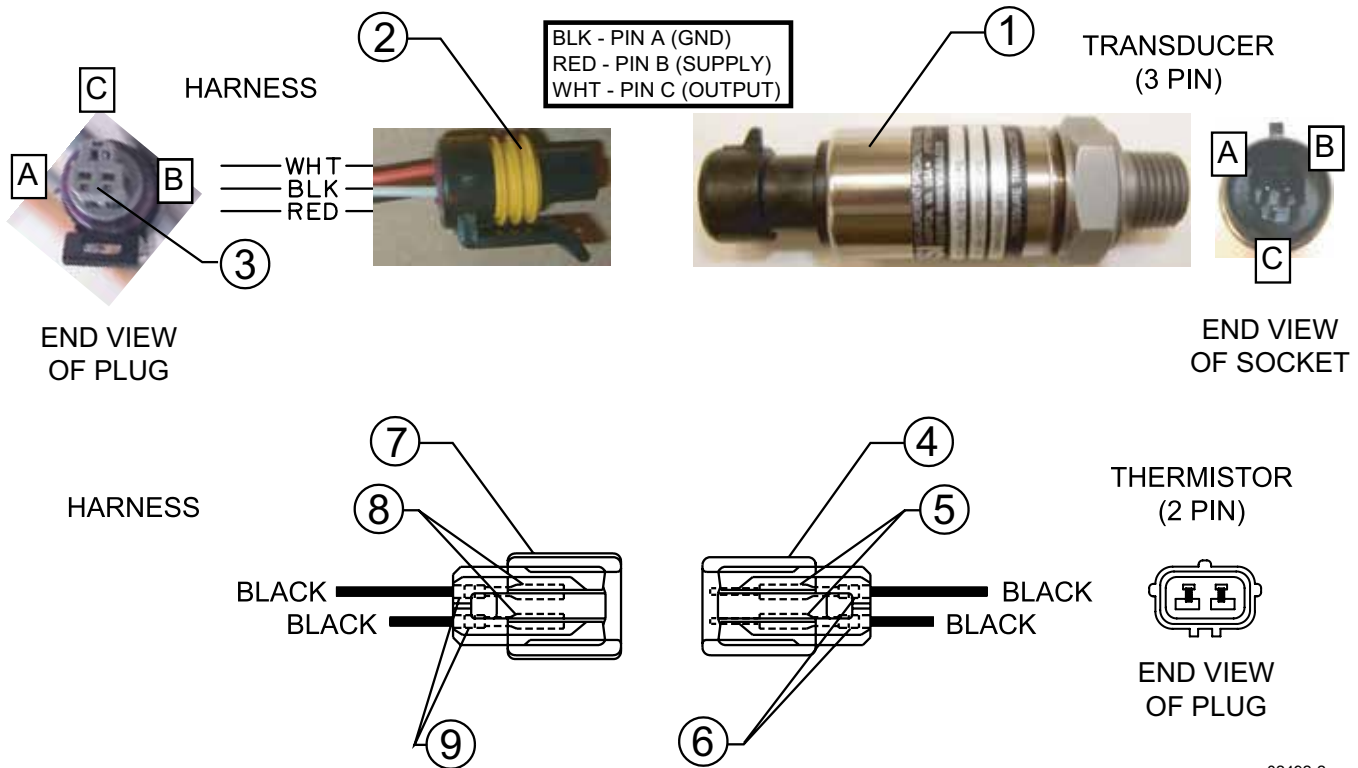
**FIG. 9** – TRANSDUCERS, PRESSURE CUTOUTS AND TEMP SENSORS (REF. TABLE 9)

**TABLE 9** – TRANSDUCERS, PRESSURE CUTOUTS AND TEMP SENSORS  
(SEE FIG. 9)

Item Number	Qty	Description	Models	Part Number
<b>1<sup>S</sup></b>	1	Sensor, Outside Air Temperature	All	025-28663-001
<b>20<sup>S</sup></b>	2	Transducer, Suction Pressure (0-400psi)	All	025-41756-002
<b>21<sup>S</sup></b>	2	Transducer, Discharge Pressure (0-650psi)	All	025-41756-003
<b>42<sup>S</sup></b>	2	Sensor, Discharge Temperature (Not Shown)	All	025-28935-000

<sup>S</sup> Recommended Spare Part

# TRANSDUCER AND THERMISTOR WIRE HARNESS CONNECTORS - FIELD REPLACEMENT PART NUMBERS



02492-2c

**FIG. 10** – TRANSDUCER AND THERMISTOR WIRE HARNESS CONNECTORS - FIELD REPLACEMENT PART NUMBERS (REF. TABLE 10)

**TABLE 10** – TRANSDUCER AND THERMISTOR WIRE HARNESS CONNECTORS - FIELD REPLACEMENT PART NUMBERS (SEE FIG. 10)

Item No.	Location	Description	Pins	Part Number
1	Transducer	(0-400 psis)	3 Pin End	025-41756-002
		(0-650 psis)		025-41756-003
2	Wire Harness	Plug Connector	3 Pin End	025-41761-000
3		Contact Pins		025-41812-000
4	Temperature Sensor	Plug Connector	2 Pin End	025-28948-000
5		Contact Pins		025-28949-000
6		Rubber Collar		025-28950-000
7	Wire Harness	Plug Connector	2 Pin End	025-28951-000
8		Contact Pins		025-28952-000
9		Rubber Collar		025-28950-000

# VIBRATION ISOLATORS

**TABLE 11 – VIBRATION ISOLATORS PART NUMBERS**

ONE INCH DEFLECTION SPRING ISOLATOR CROSS REFERENCE*				
WEIGHT RANGE (lbs.)	WEIGHT RANGE (kg.)	VENDOR PART NUMBER	COLOR	YORK PART NUMBER
Up to 435 lbs.	Up to 197 kg.	CP-1D-510	BLACK	029-25334-002
435 to 766 lbs.	197 to 347 kg.	CP-1D-900	DARK GREEN	029-25334-003
766 to 1021 lbs.	347 to 463 kg.	CP-1D-1200	GRAY	029-25334-004
1021 to 1157 lbs.	463 to 525 kg.	CP-1D-1360	WHITE	029-25334-005
1157 to 1785 lbs.	525 to 810 kg.	CP-1D-1785N	GRAY/RED	029-25334-006
WEIGHT RANGE (lbs.)	WEIGHT RANGE (kg.)	VENDOR PART NUMBER	COLOR	YORK PART NUMBER
Up to 1149 lbs.	Up to 521 kg.	C2P-1D-1350	DARK PURPLE	029-25334-008
1149 to 1531 lbs.	521 to 694 kg.	C2P-1D-1800	DARK GREEN	029-25334-009
1531 to 2041 lbs.	694 to 926 kg.	C2P-1D-2400	GRAY	029-25334-010
2041 to 2313 lbs.	926 to 1049 kg.	C2P-1D-2720	WHITE	029-25334-012
2313 to 3570 lbs.	1049 to 1619 kg.	C2P-1D-3570N	GRAY/ RED	029-25334-013

NEOPRENE ISOLATOR CROSS REFERENCE				
WEIGHT RANGE (lbs.)	WEIGHT RANGE (kg.)	VENDOR PART NUMBER	COLOR	YORK PART NUMBER
Up to 826 lbs.	Up to 375 kg.	RD-3	CHARCOAL	029-25335-001
826 to 1689 lbs.	375 to 766 kg.	RD-4	BRICK RED	029-25335-002
1689 to 4000 lbs.	766 to 1814 kg.	RD-4	CHARCOAL	029-25335-004

TWO INCH DEFLECTION, SEISMIC SPRING ISOLATOR CROSS REFERENCE				
WEIGHT RANGE (lbs.)	WEIGHT RANGE (kg.)	VENDOR PART NUMBER	COLOR	YORK PART NUMBER
Up to 392 lbs.	Up to 178 kg.	Y2RSI-2D-460	GREEN	029-25336-006
392 to 605 lbs.	178 to 274 kg.	Y2RSI-2D-710	DARK BROWN	029-25336-008
605 to 741 lbs.	274 to 336 kg.	Y2RSI-2D-870	RED	029-25336-009
741 to 1021 lbs.	336 to 463 kg.	Y2RSI-2D-1200N	RED/BLACK	029-25336-010
1021 to 1438 lbs.	463 to 652 kg.	Y2RSI-2D-1690	PINK	029-25336-011
1438 to 2245 lbs.	652 to 1018 kg.	Y2RSI-2D-2640N	PINK/GRAY	029-25336-012
2245 to 2619 lbs.	1018 to 1188 kg.	Y2RSI-2D-2870N	PINK/GRAY/ORANGE	029-25336-013
2619 to 3740 lbs.	1188 to 1697 kg.	Y2RSI-2D-3280N	PINK/GRAY/DARK BROWN	029-25336-014

\* **Note:** One Inch Deflection Spring Isolators must all be of the same class for the entire unit. Must use C2P's at all locations on a selected unit, or all CP's.

# YLUA CHILLER OPTIONS - KITS

**TABLE 12 – FIELD INSTALLED OPTIONS PART NUMBERS**

MODEL NUMBER YLUA	CHICAGO RELIEF CODE KIT*	DEHYDRATOR KIT	LOW AMBIENT KIT**	ACOUSTIC SOUND BLANKET KIT***	HOTGAS BY-PASS SOLENOID KIT	
<b>MODEL #</b>	375-76511	475-89386	375-	310-06507	375-83290	
<b>0078</b>	N/R	-001	84897-201 (-17 & -28 Voltage Codes)	-724	-100	
<b>0088</b>	-001			84897-203 (-46 Voltage Codes)	-725	-300
<b>0095</b>					-726	
<b>0098</b>					-727	-400
<b>0108</b>					-728	
<b>0130</b>			-500			
<b>0148</b>	-002	N/R	-200	-700		
<b>0158</b>						

\* Note: Chicago Relief Valve Only: 022-10682-001

\*\* Note: Low Ambient Kit VFD Only:  
208 Volt = 024-35393-002  
460 Volt = 024-35393-001

\*\*\* Note: One Kit Per Chiller.

**TABLE 12A – CONTROL TRANSFORMER KIT**

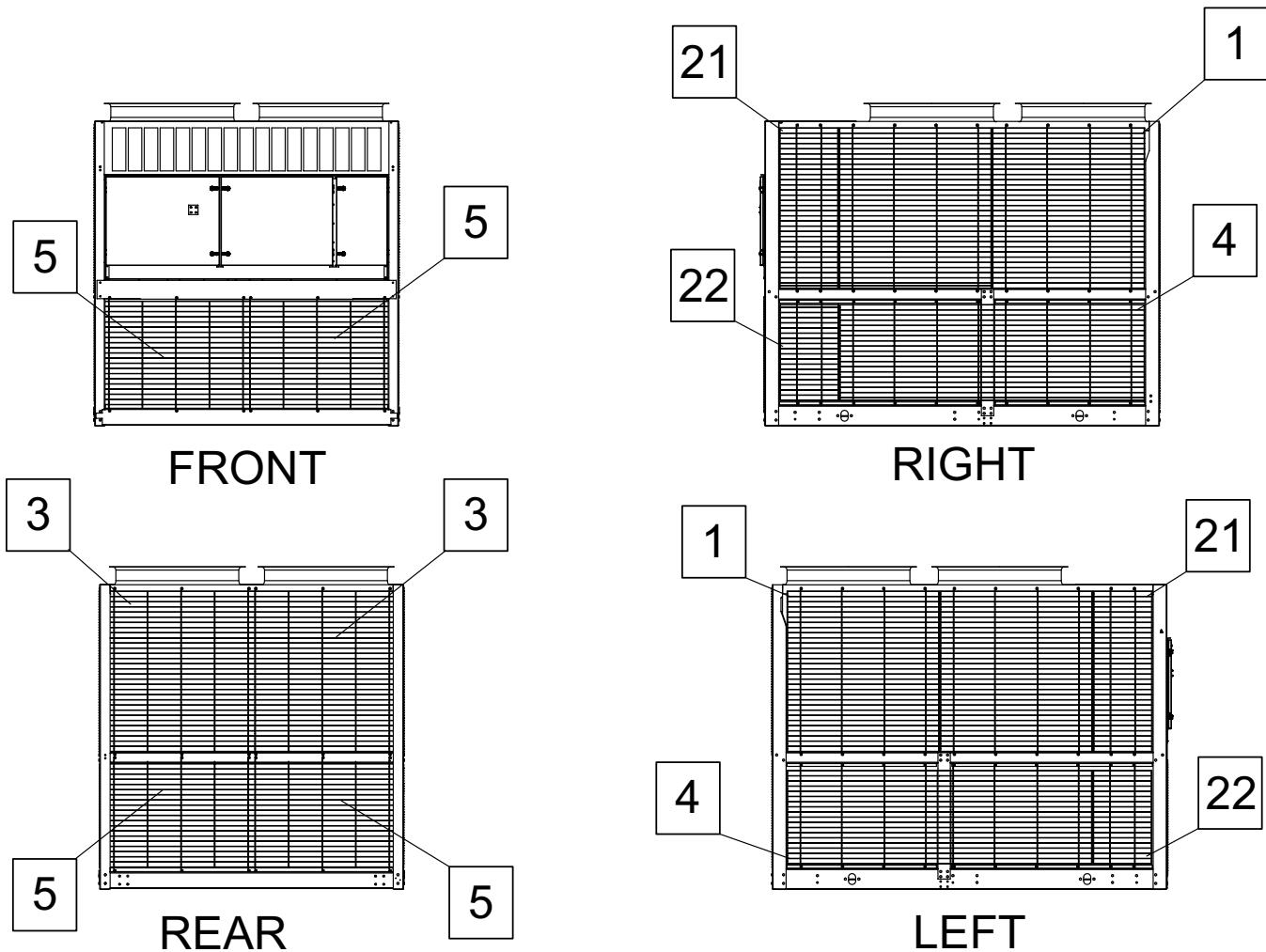
MODEL NUMBERS	VOLTAGE	DESCRIPTION	KIT PART NUMBER	XFMR ONLY
YLUA0078-YLUA0158	-17	KIT, CONTROL TRANSFORMER 2.0 KVA	375-76528-101	025-29627-001
	-28		375-76528-102	025-29627-002
	-40		375-76528-103	025-29627-003
	-46		375-76528-104	025-29627-002
	-58		375-76528-105	025-29627-004

## ENCLOSURE KIT OPTIONS

**TABLE 13** – ENCLOSURE KIT OPTIONS (SEE FIGS. 11-12, PAGES 40-41)

MODEL NUMBER YLUA-	WIRE ENCLOSURE	LOUVERED ENCLOSURE	WIRE / LOUVERED ENCLOSURE	LOUVERED ENCLOSURE CONDENSER ONLY	LOUVERED ENCLOSURE HAIL GUARD ONLY
0078	475-75917-301	475-75918-301	475-75917-303	475-75918-303	475-75918-104
0088					
0095					
0098	475-75917-201	475-75918-201	475-75917-203	475-75918-203	
0108					
0130					
0148	475-75917-101	475-75918-101	475-75917-103	475-75918-103	
0158					

## ENCLOSURE KIT OPTIONS (CONT'D)



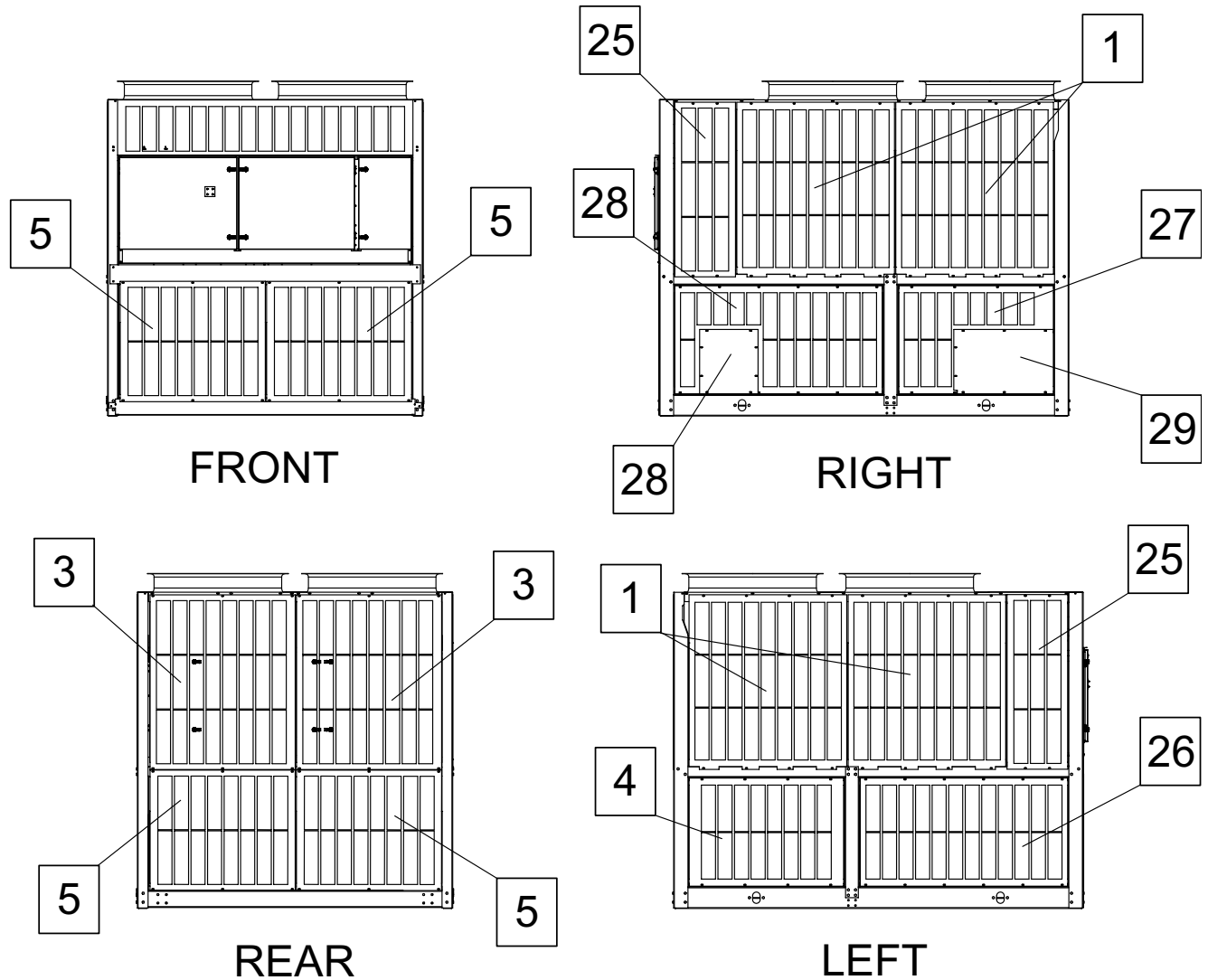
75917-300-1

**FIG. 11 – WIRE ENCLOSURE - MODELS YLUA0078, YLUA0088 & YLUA0095 SHOWN (REF. TABLE 14)**

**TABLE 14 – WIRE ENCLOSURE (SEE FIG. 11)**

WIRE ENCLOSURE		YLUA0078, 0088 & YLUA0095		YLUA0098, 0108 & YLUA0130		YLUA0148 & YLUA0158	
ITEM #	DESCRIPTION	475-75917-30x	QTY	475-75917-20x	QTY	475-75917-10x	QTY
1	WIRE GRILLE	026-45058-007	4	026-45058-007	6	026-45058-007	8
3	WIRE GRILLE	026-45058-008	2	026-45058-008	2	026-45058-008	2
4	WIRE GRILLE	026-45058-001	4	026-45058-001	6	026-45058-001	8
5	WIRE GRILLE	026-45058-005	4	026-45058-005	4	026-45058-005	4
21	WIRE GRILLE	026-45058-009	2	N/A	-	N/A	-
22	WIRE GRILLE	026-45058-010	2	N/A	-	N/A	-

## ENCLOSURE KIT OPTIONS (CONT'D)



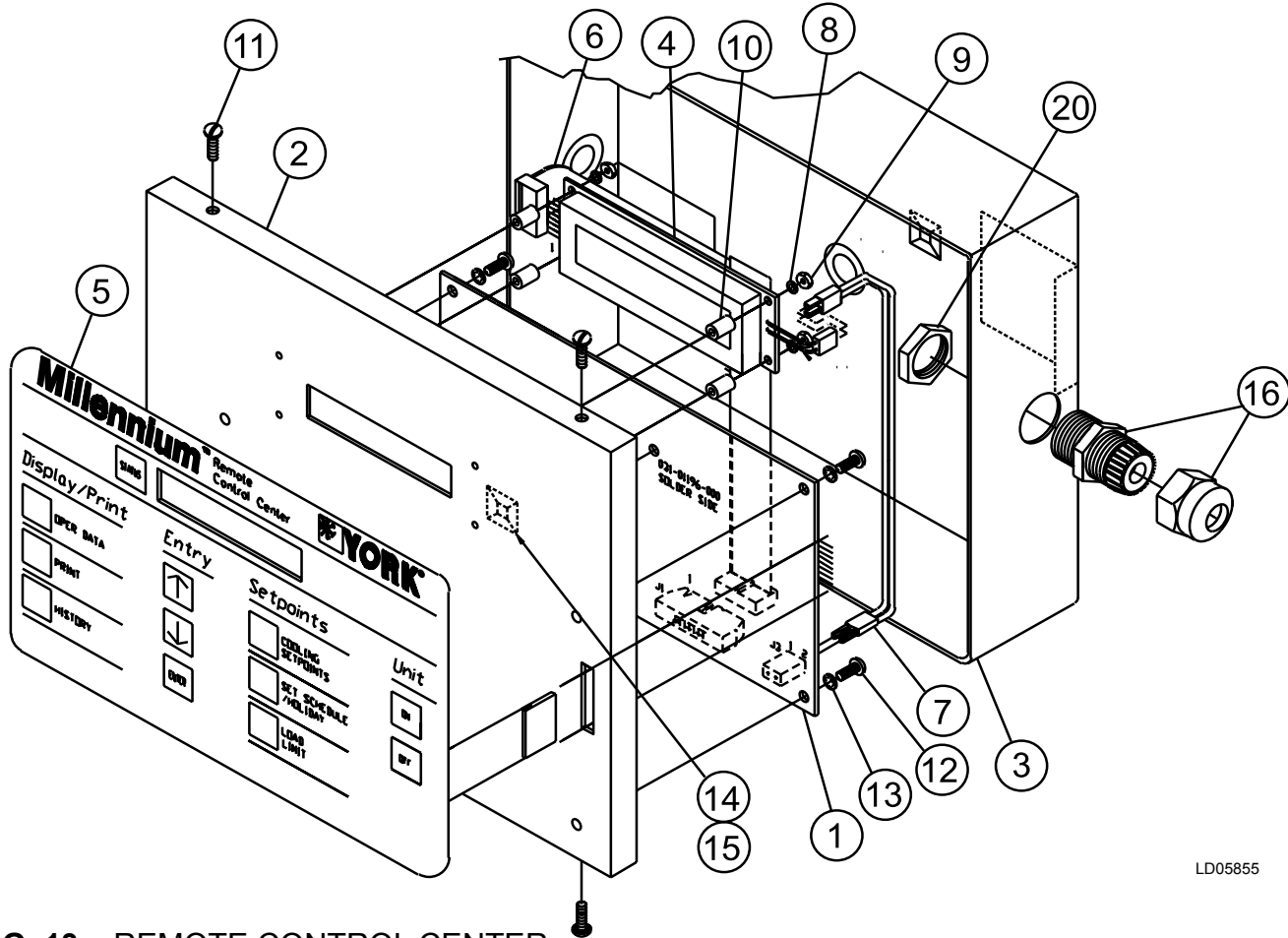
**FIG. 12 – LOUVERED ENCLOSURE (REF. TABLE 15)**

75918-300-1

**TABLE 15 – LOUVERED ENCLOSURE (SEE FIG. 12)**

WIRE ENCLOSURE		YLUA0078, 0088 & YLUA0095		YLUA0098, 0108 & YLUA0130		YLUA0148 & YLUA0158	
ITEM #	DESCRIPTION	475-75918-30x	QTY	475-75918-20x	QTY	475-75918-10x	QTY
1	LOUVERED PANEL	075-75918-003	4	075-75918-003	6	075-75918-003	8
3	LOUVERED PANEL	075-75918-006	2	075-75918-006	2	075-75918-006	2
4	LOUVERED PANEL	075-75918-001	1	075-75918-001	4	075-75918-001	6
5	LOUVERED PANEL	075-75918-004	4	075-75918-004	4	075-75918-004	4
25	LOUVERED PANEL	075-75918-012	2	N/A	-	N/A	-
26	LOUVERED PANEL	075-75918-007	1	N/A	-	N/A	-
27	LOUVERED PANEL	075-75918-010	1	075-75918-021	1	075-75918-021	1
28	LOUVERED PANEL	075-75918-012	1	075-75918-015	1	075-75918-015	1
29	PANEL	075-75918-013	1	075-75918-020	1	075-75918-020	1
30	PANEL	075-75918-014	1	075-75918-017	1	075-75918-017	1

# REMOTE CONTROL CENTER



LD05855

**FIG. 13 – REMOTE CONTROL CENTER**

**TABLE 16 – REMOTE CONTROL CENTER PARTS - 371-02485-104 (60HZ)**

ITEM NUMBER	QTY	DESCRIPTION	PART NUMBER
1	1	CONTROL, MICROBOARD	031-01196-000
2	1	COVER, REMOTE CONTROL	371-02485-311
3	1	BASE, REMOTE CONTROL	071-02485-320
4	1	DISPLAY, LCD	031-01110-000
5	1	SWITCH, KEYPAD	024-30930-000
6	1	RIBBON CABLE	071-01289-211
7	1	WIRE CABLE	071-01289-212
10	4	SPACER, NYLON 1/4 OD X 7/16 LONG	021-17575-000
11	1	TRANSFORMER	025-29917-002
14	3	CABLE TIE	025-25155-000
15	1	EPROM	031-02016-003
16	1	CABLE FITTING	025-05701-000
17	2	INSULATOR, RECIPAK ROOFTOP	071-01730-000
18	2	MODULE, LAN TRANSIENT PROTECTION (LTP)	031-01586-000
19	1	INSTALLATION INSTRUCTIONS	071-01289-002
20	1	NUT, LOCKING, HEYCO - 3232	025-31732-000
21	1	OPERATOR'S MANUAL	150.62-NM1

## RECOMMENDED SPARE PARTS

York Model YLUA Styles A & B Air Cooled Hermetic Scroll Chillers  
Suggested Spare Parts List for Critical Duty Applications

**TABLE 17 – RECOMMENDED SPARE PARTS - YLUA0078-YLUA0158 CHILLERS**

PAGE REF. & ITEM NUMBER	DESCRIPTION	MODELS	PART NUMBER
Page 6, Item 1	Fan Motor (Standard)	-17	024-27322-103
		-28	024-27322-106
		-40	024-27322-104
		-46	024-27322-107
		-58	024-27322-102
Page 6, Item 1	Fan Motor (Low Noise)	-17	024-34980-002
		-28	024-34980-002
		-40	024-34980-005
		-46	024-34980-001
		-58	024-34980-003
Page 6, Item 2	Fan Blade (Standard)	All	026-35605-000
	Fan Blade (Low Noise)	All	026-45002-000
Page 15, Item OIL	Oil, Compressor (Type 'V')	R-410A	011-00948-000
Pages 21-27, Item 2A	Fan Control Relay	All	See Table 6
Pages 21-27, Item 2B	Fan Contactor	All	See Table 6
Page 31, Item 2A	Micro / IO Board Kit	All	331-02550-101
Page 31, Item 2B	Flashcard	All	031-02755-003
Page 35, Item 1	Sensor, Outside Air Temperature	All	025-28663-001
Page 35, Item 2	Sensor, Entering Water Temperature	All	025-29964-000
Page 35, Item 3	Sensor, Leaving Water Temperature	All	025-29964-000
Page 35, Item 20	Transducer, Suction Pressure (0-400psi)	All	025-41756-002
Page 35, Item 21	Transducer, Discharge Pressure (0-650psi)	All	025-41756-003
Page 35, Item 42	Sensor, Discharge Temperature	All	025-28935-000

All parts should be purchased from your local YORK Sales and Service Center.



P.O. Box 1592, York, Pennsylvania USA 17405-1592  
Copyright © by Johnson Controls 2014  
Form 150.73-RP1 (114)  
Issue Date: January 7, 2014  
Supersedes: 150.73-RP1 (1009)

800-861-1001  
[www.johnsoncontrols.com](http://www.johnsoncontrols.com)

Subject to change without notice. Printed in USA  
ALL RIGHTS RESERVED