



Service Information

File In/With: -	SI0333
Supersedes SI0333 (916)	REV 1216
Equipment Affected:	YLAA, YCWL
SPORLAN (PARKER) EEV CONTROLLER AND VALVES	

GENERAL

This SI is for the new Sporlan (Parker) controllers and valves only.

COMPATIBILITY

Sporlan (Parker) controllers **ARE NOT** compatible with Danfoss controllers or vice versa.

- Danfoss valves must have Danfoss controllers.
- Sporlan (Parker) valves must have Sporlan (Parker) controllers.

NOTES:

1. If the current Danfoss TXV or EEV and Controller require replacement, you **MUST** replace **BOTH** of these using New Sporlan EEVs and Controllers.
2. The New Sporlan Controllers will need to be properly set up (See page 2).
3. This new changeover to Sporlan will require New Software which will come in your kit.
4. Software installation instructions are located on page 9.
5. You **MUST** change the settings from TXV to **EEV (ELECTRONIC)**. You **MUST** go into the Service Mode for this change.
6. To access the Service Mode: Unit SW OFF, Program, Up-Up, Down-Down, Enter. This is good for 30 minutes.
7. Your kit may contain parts that your job may not require to complete this job.

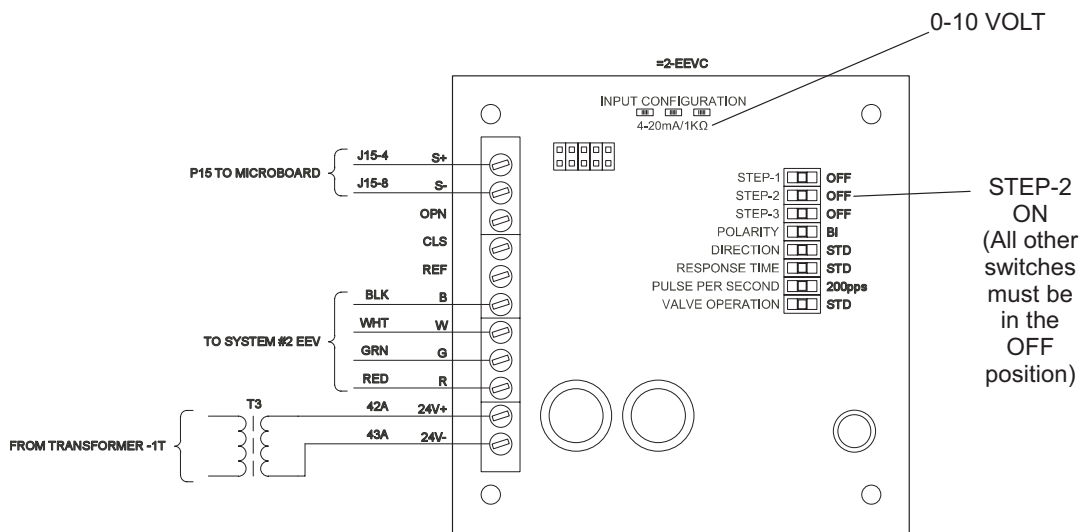
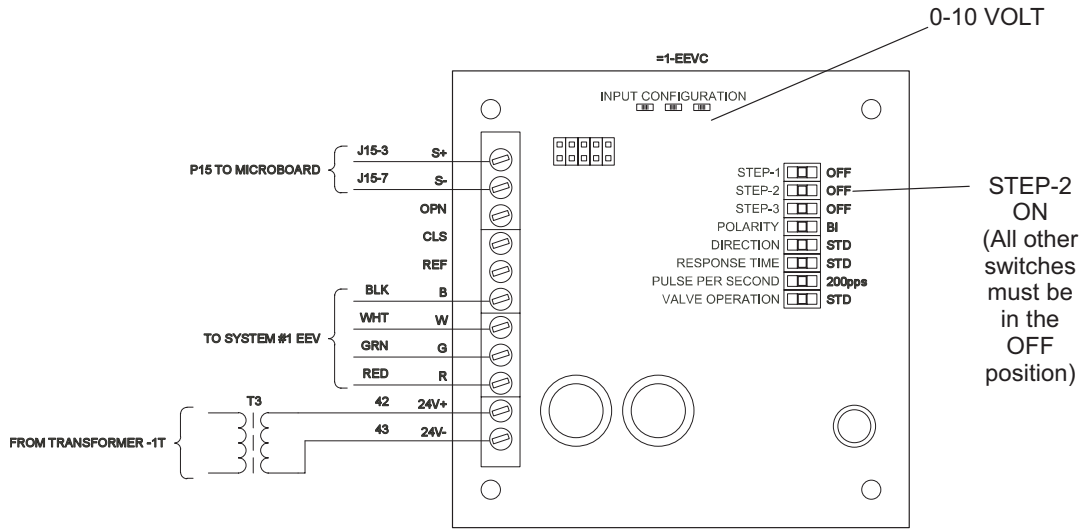
Work on this equipment should only be done by properly trained personnel who are qualified to work on this type of equipment. Failure to comply with this requirement could expose the worker, the equipment and the building and its inhabitants to the risk of injury or property damage.

The instructions on this service bulletin are written assuming the individual who will perform this work is a fully trained HVAC & R journeyman or equivalent, certified in refrigerant handling and recovery techniques, and knowledgeable with regard to electrical lock out/tag out procedures. The individual performing this work should be aware of and comply with all Johnson Controls, national, state and local safety and environmental regulations while carrying out this work. Before attempting to work on any equipment, the individual should be thoroughly familiar with the equipment by reading and understanding the associated service literature applicable to the equipment. If you do not have this literature, you may obtain it by contacting a Johnson Controls Service Office.

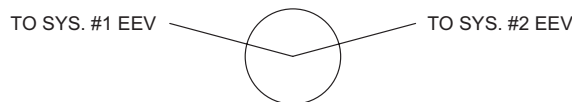
Should there be any question concerning any aspect of the tasks outlined in this bulletin, please consult a Johnson Controls Service Office prior to attempting the work. Please be aware that this information may be time sensitive and that Johnson Controls reserves the right to revise this information at any time. Be certain you are working with the latest information.

ELEMENTARY DIAGRAM
EEV CONTROLLER

SPORLAN EEV CONTROLLER



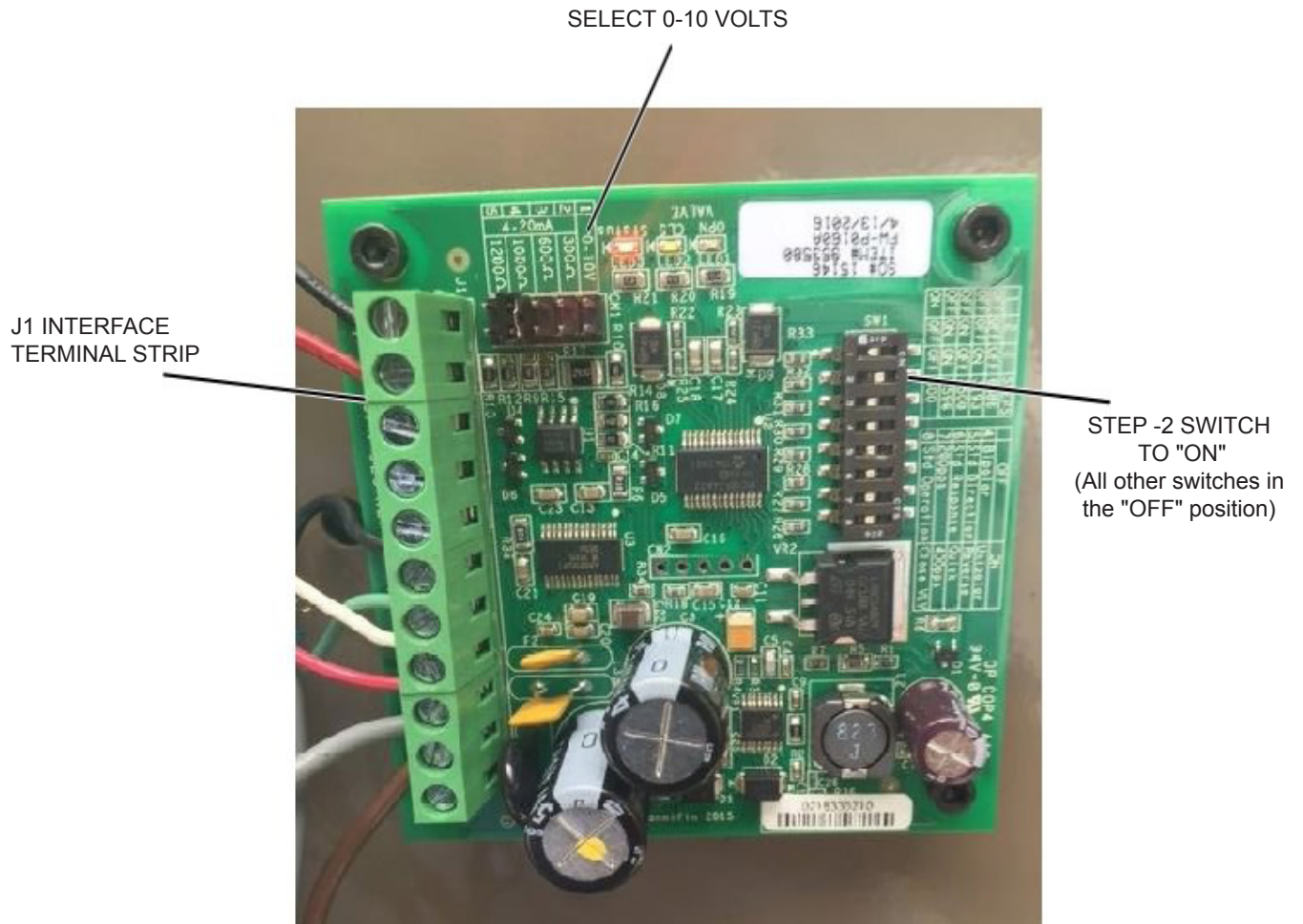
NOTE: 1. Step number 2 switch is in the "ON" position.
2. All other steps are in the "OFF" position.



NOTE: To change setting from TXV to EEV, you must go to the HOW TO INSTALL THE NEW SOFTWARE (See Page 9).

LD20717

FIGURE 1 - SPORLAN EEV CONTROLLER



LD20719

FIGURE 2 - SPORLAN (PARKER) EEV CONTROLLER



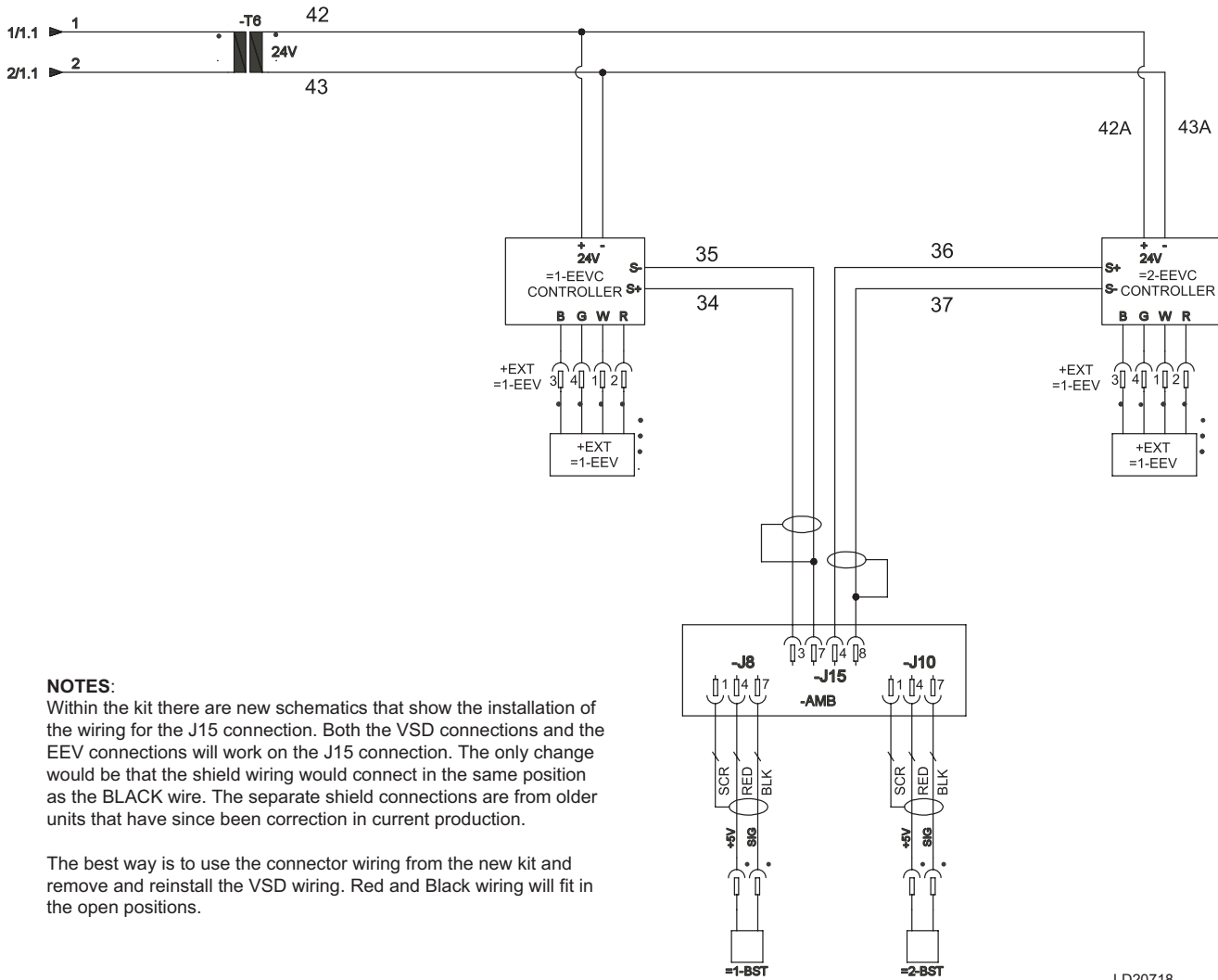
MOUNTING LOCATION
OF THE
SPORLAN (PARKER) CONTROLLERS

FIGURE 3 - SPORLAN (PARKER) CONTROLLER MOUNTING LOCATIONS



MOUNTING LOCATION OF
THE SPORLAN (PARKER) EEVs

FIGURE 4 - SPORLAN (PARKER) EEV MOUNTING LOCATIONS



EXAMPLE

- Showing of YLAA Kit Schematic
- You will receive the appropriate wiring diagram in your kit for your chiller model number.

FIGURE 5 - YLAA KIT SCHEMATIC

UNIT MODEL	SPORLAN (PARKER) EEV VALVE PART NUMBER	
	60HZ	SYSTEM 1
YLAA0058	025-47116-004	025-47116-004
YLAA0065	025-47116-005	025-47116-004
YLAA0070	025-47116-005	025-47116-005
YLAA0080	025-47116-005	025-47116-005
YLAA0081	025-47116-005	025-47116-005
YLAA0089	025-47116-005	025-47116-005
YLAA0092	025-47116-005	025-47116-005
YLAA0100	025-47116-005	025-47116-006
YLAA0101	025-47116-005	025-47116-006
YLAA0115	025-47116-006	025-47116-006
YLAA0120	025-47116-006	025-47116-006
YLAA0125	025-47116-006	025-47116-006
YLAA0136	025-47116-006	025-47116-005
YLAA0142	025-47116-006	025-47116-005
YLAA0150	025-47116-006	025-47116-006
YLAA0155	025-47116-006	025-47116-006
YLAA0156	025-47116-006	025-47116-006
YLAA0170	025-47116-006	025-47116-006
YLAA0175	025-47116-006	025-47116-006

UNIT MODEL	SPORLAN (PARKER) EEV VALVE PART NUMBER	
	50HZ	SYSTEM 1
YLAA0180	025-47116-005	025-47116-004
YLAA0195	025-47116-005	025-47116-004
YLAA0210	025-47116-006	025-47116-004
YLAA0221	025-47116-005	025-47116-004
YLAA0241	025-47116-005	025-47116-005
YLAA0261	025-47116-005	025-47116-005
YLAA0286	025-47116-005	025-47116-006
YLAA0300	025-47116-006	025-47116-005
YLAA0301	025-47116-006	025-47116-005
YLAA0320	025-47116-006	025-47116-006
YLAA0350	025-47116-006	025-47116-006
YLAA0360	025-47116-006	025-47116-005
YLAA0390	025-47116-006	025-47116-005
YLAA0391	025-47116-006	025-47116-005
YLAA0400	025-47116-006	025-47116-006
YLAA0435	025-47116-006	025-47116-006
YLAA0441	025-47116-006	025-47116-006
YLAA0442	025-47116-006	025-47116-006
YLAA0456	025-47116-006	025-47116-006
YLAA0457	025-47116-006	025-47116-006
YLAA0485	025-47116-006	025-47116-006
YLAA0516	025-47116-006	025-47116-006
YLAA0517	025-47116-006	025-47116-006

UNIT MODEL	SPORLAN (PARKER) EEV VALVE PART NUMBER	
	60HZ	SYSTEM 1
YCWL0056SE	025-47116-004	025-47116-004
YCWL0064SE	025-47116-005	025-47116-005
YCWL0064HE	025-47116-005	025-47116-005
YCWL0074SE	025-47116-005	025-47116-005
YCWL0074HE	025-47116-005	025-47116-005
YCWL0084SE	025-47116-005	025-47116-005
YCWL0084HE	025-47116-005	025-47116-005
YCWL0094SE	025-47116-005	025-47116-005
YCWL0094HE	025-47116-005	025-47116-005
YCWL0096HE	025-47116-005	025-47116-005
YCWL0104SE	025-47116-005	025-47116-005
YCWL0118SE	025-47116-006	025-47116-005
YCWL0118HE	025-47116-006	025-47116-005
YCWL0118HE	025-47116-006	025-47116-005
YCWL0126HE	025-47116-006	025-47116-006
YCWL0127HE	025-47116-006	025-47116-006
YCWL0132SE	025-47116-006	025-47116-006
YCWL0132SE	025-47116-006	025-47116-006
YCWL0156SE	025-47116-006	025-47116-006
YCWL0157SE	025-47116-006	025-47116-006
YCWL0156HE	025-47116-006	025-47116-006
YCWL0157HE	025-47116-006	025-47116-006
YCWL0177SE	025-47116-007	025-47116-006
YCWL0198SE	025-47116-007	025-47116-007

Along with the purchase of the EEV, you will need to purchase the following wiring kit as well. These kits will include the wiring for both systems plus the Sporlan (Parker) controllers.

YLAA EEV Electrical Kit: 692-31045-001

692-31045-001				
ITEM	ALT MATERIAL#	SAP#	SHORT DESCRIPTION	QTY
1	392-31045-001	5138410	YLAA EEV Kit	1.000
2	031-02755-004	744085	Flash Card Programmed	1.000
3	092-31045-000	5151672	EEV Kit Wiring YLAA	1.000
4	035-21583-119	745290	Schematic YLAA	1.000
5	035-21589-102	439842	Connection YLAA	1.000
6	035-21589-110	745311	Connection YLAA	1.000

YCWL EEV Electrical Kit: 692-31046-001

692-31046-001				
ITEM	ALT MATERIAL#	SAP#	SHORT DESCRIPTION	QTY
1	392-31046-001	5145075	YCWL EEV Kit	1.000
2	031-02755-004	744085	Flash Card Programmed	1.000
3	092-31046-000	5171040	EEV Kit Wiring YCWL	1.000
4	035-21499-101	745206	Label Wiring YLAA Water Cooled	1.000
5	035-21499-105	745210	Label Wiring YLAA Water Cooled	1.000
6	035-21499-204	519510	Connection YCWL	1.000
7	035-21499-207	524655	Schematic Diagram	1.000
8	035-21499-208	524656	Connection YCWL	1.000

INSTALLATION PROCEDURE

1. Remove the obsolete Danfoss EEVs or TXVs and controller and install the correct new Sporlan EEV and Controllers. Replace per the list on pages 7 and 8.
2. Install new Software (see below).
3. Program the unit to operate with EEV control and not TXV control (see page 1).
4. Program the Sporlan controller (see page 2).
5. Test the EEV operation.

HOW TO INSTALL THE NEW SOFTWARE

1. System switch OFF.
2. Power OFF.
3. Install software (card).
4. Power up.
5. Go into OPTIONS.
6. Keep pressing the OPTIONS key until you see "FLASH CARD UPDATE".
7. Change to ENABLED.
8. ENTER.

NOTES:

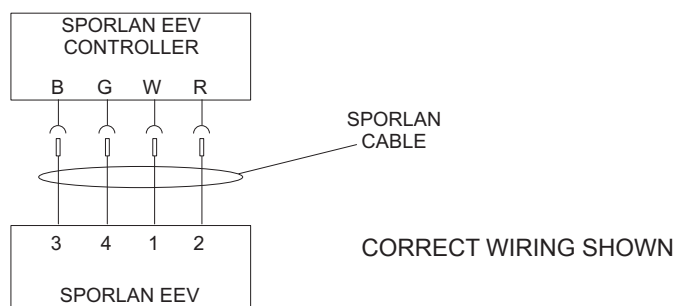
1. Problem: **ERROR 10**

Solution: Bad flash card, board problem, wrong flash card

2. Problem: All settings and jumpers are correct but still having issues with the Sporlan EEV.

Solution: • You must use the Sporlan cable with the Sporlan EEV.

- If you use the old/existing Danfoss cable, the plug wiring is different and you will experience the EEV not working properly.
- Check wiring.



LD20760

FIGURE 7 - CORRECT WIRING

TABLE 1 - YLAA EEV KIT COMPONENTS

PART DESCRIPTION	COMPONENT QUANTITY	COMPONENT UNIT	YORK PART NUMBER
EEV KIT MANUF PARTS YLAA	1.000	PCS	392-31045-150
EEV KIT PURCH PARTS YLAA	1.000	PCS	392-31045-171
EEV KIT MANUF PARTS YLAA	0.000		
PANEL MOUNTING EEV YLAA	1.000	PCS	092-06144-000
BRACKET EEV MOUNTING PANEL	1.000	PCS	092-06145-000
INNER DOOR BRKT L/H YLAA 50HZ	1.000	PCS	075-76655-000
TRANSFORMER MNTNG PLATE	1.000	PCS	092-35785-001
TRANSFORMER MNTNG PLATE	1.000	PCS	092-35785-002
EEV KIT PURCH PARTS YLAA	0.000		
EEV DRIVER BOARD IB-G PART#953580 PARKER	2.000	PCS	025-45462-042
CABLE TIE MOUNT PUSH BUTTON	6.000	PCS	025-42892-000
STRAP CABLE T&B L7-50-9-M	6.000	PCS	025-09607-000
NUT HEX 1/4 -20UNC-2B:	2.000	PCS	021-19316-000
WASHER PLAIN FLAT M6	2.000	PCS	021-31801-000
LKWASH TH INT 1/4:	2.000	PCS	021-19315-000
WASHER PLAIN FLAT M5:	2.000	PCS	021-19413-000
WASHER M5 INTERNAL SHAKEPROOF	2.000	PCS	021-19414-000
NUT HEX #10-24UNC-2B:	2.000	PCS	021-19622-000
SCREW STEEL PAN HEAD POZIDRIV	2.000	PCS	021-19412-000
TRANS P=120V 1PH S=24V 75.0VAM	1.000	PCS	025-37679-000
SCREW TAP THD CUT TY F	2.000	PCS	021-17608-000
MAGNETIC CATCH	1.000	PCS	021-32561-000
SCREW MACHINE PAN M3 X 0.5 L=10MM GR ²	2.000	PCS	021-32562-000
NUT HEX M3 X 0.5 ZINC STL GR5	12.000	PCS	021-32563-000
WASHER STL M3 INT. SHAKEPROOF	12.000	PCS	021-32564-000
SCREW C/SK M3X10MM LG	2.000	PCS	021-32565-000
HINGE, LIFT OFF, MALE, RIGHT	2.000	PCS	026-44091-001
HINGE, LIFT OFF, FEMALE, RIGHT	2.000	PCS	026-44091-004
SCREW STEEL PAN HEAD POZIDRIV	8.000	PCS	021-19408-000
WASHER M4 INTERNAL SHAKEPROOF	14.000	PCS	021-19410-000
NUT M4 X 0,7MM PITCH:	8.000	PCS	021-19409-000
SCREW THREAD TAPPING PAN NO.8 L=3/8IN	2.000	PCS	021-13725-000
SCREW CAP HEX M3 X 0.5 L=22MM ZNC STL	8.000	PCS	021-34272-000
SPACER, 1/4 DIA, 7/16 LG	8.000	PCS	021-17776-000
WASHER PLAIN 5/32 ID X 3/8 OD	8.000	PCS	021-11641-000
LUG WIRE 22-18AWG RECEPTACLE/TAB 180.0°	4.000	PCS	025-32932-000
HARNESS, EEV CONTR TO TRANSFOR	1.000	PCS	592-31048-002
HARNESS, 120V SPLY TO EEV TRAN	1.000	PCS	592-31048-005
HARNESS, EEV CONTROLLER	1.000	PCS	592-31048-003
HARNESS, EEV CONTR SYS1	1.000	PCS	592-31048-001
HARNESS, EEV CONTR SYS2	1.000	PCS	592-31048-006
HARNESS, SUCT TEMP SENSR SYS2	1.000	PCS	592-31048-004
HARNESS, SUCT TEMP SENSR SYS1	1.000	PCS	592-31048-007
SENSOR TEMP 3000 OHMS AT 25	2.000	PCS	025-28935-000
STRAP CABLE BLACK	2.000	PCS	025-23765-003