



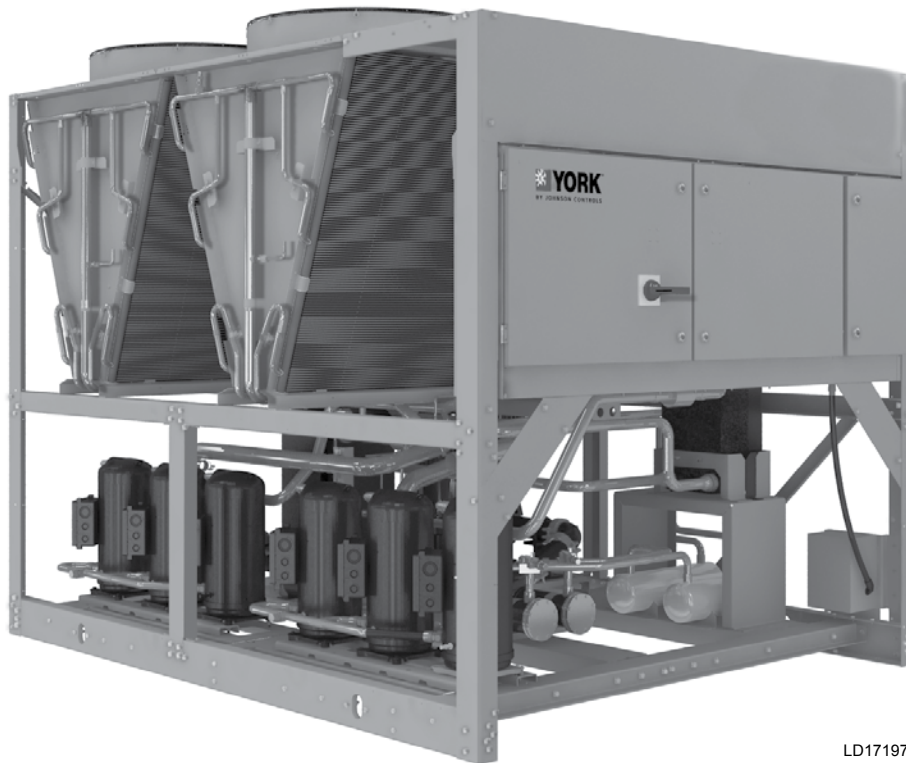
## AIR-COOLED SCROLL CHILLER

REPLACEMENT PARTS

Supersedes: 150.72-RP3 (113)

Form 150.72-RP3 (1017)

**MODELS YLAA0070 - YLAA0120  
DESIGN SERIES A OR C  
DEVELOPMENT LEVEL B  
COPELAND COMPRESSORS  
WITH BRAZED PLATE HEAT EXCHANGER**



LD17197

**R-410A  
70-120 TON  
60 HZ**



Issue Date:  
October 31, 2017



# IMPORTANT!

## READ BEFORE PROCEEDING!

### GENERAL SAFETY GUIDELINES

This equipment is a relatively complicated apparatus. During rigging, installation, operation, maintenance, or service, individuals may be exposed to certain components or conditions including, but not limited to: heavy objects, refrigerants, materials under pressure, rotating components, and both high and low voltage. Each of these items has the potential, if misused or handled improperly, to cause bodily injury or death. It is the obligation and responsibility of rigging, installation, and operating/service personnel to identify and recognize these inherent hazards, protect themselves, and proceed safely in completing their tasks. Failure to comply with any of these requirements could result in serious damage to the equipment and the property in

which it is situated, as well as severe personal injury or death to themselves and people at the site.

This document is intended for use by owner-authorized rigging, installation, and operating/service personnel. It is expected that these individuals possess independent training that will enable them to perform their assigned tasks properly and safely. It is essential that, prior to performing any task on this equipment, this individual shall have read and understood the on-product labels, this document and any referenced materials. This individual shall also be familiar with and comply with all applicable industry and governmental standards and regulations pertaining to the task in question.

---

### SAFETY SYMBOLS

The following symbols are used in this document to alert the reader to specific situations:



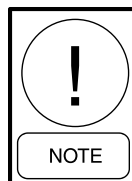
*Indicates a possible hazardous situation which will result in death or serious injury if proper care is not taken.*



*Identifies a hazard which could lead to damage to the machine, damage to other equipment and/or environmental pollution if proper care is not taken or instructions are not followed.*



*Indicates a potentially hazardous situation which will result in possible injuries or damage to equipment if proper care is not taken.*



*Highlights additional information useful to the technician in completing the work being performed properly.*



*External wiring, unless specified as an optional connection in the manufacturer's product line, is not to be connected inside the control cabinet. Devices such as relays, switches, transducers and controls and any external wiring must not be installed inside the micro panel. All wiring must be in accordance with Johnson Controls' published specifications and must be performed only by a qualified electrician. Johnson Controls will NOT be responsible for damage/problems resulting from improper connections to the controls or application of improper control signals. Failure to follow this warning will void the manufacturer's warranty and cause serious damage to property or personal injury.*

## CHANGEABILITY OF THIS DOCUMENT

In complying with Johnson Controls' policy for continuous product improvement, the information contained in this document is subject to change without notice. Johnson Controls makes no commitment to update or provide current information automatically to the manual or product owner. Updated manuals, if applicable, can be obtained by contacting the nearest Johnson Controls Service office or accessing the Johnson Controls QuickLIT website at <http://cgproducts.johnsoncontrols.com>.

It is the responsibility of rigging, lifting, and operating/service personnel to verify the applicability of these documents to the equipment. If there is any question

regarding the applicability of these documents, rigging, lifting, and operating/service personnel should verify whether the equipment has been modified and if current literature is available from the owner of the equipment prior to performing any work on the chiller.

### CHANGE BARS

Revisions made to this document are indicated with a line along the left or right hand column in the area the revision was made. These revisions are to technical information and any other changes in spelling, grammar or formatting are not included.

---

## ASSOCIATED LITERATURE

MANUAL DESCRIPTION	FORM NUMBER
Installation, Operation and Maintenance	150.72-NM2
Installation, Operation and Maintenance	150.72-ICOM6
Unit Wiring	150.72-W1



## LIST OF TABLES

<b>TABLE 1</b> - Base Frame 4 Fan (YLAA0070 - YLAA0090).....	7
<b>TABLE 2</b> - Base Frame 5 and 6 Fan (YLAA0091 - YLAA0120).....	8
<b>TABLE 3</b> - Compressor Part Numbers.....	9
<b>TABLE 3A</b> - Compressor Components.....	9
<b>TABLE 4</b> - System Piping (YLAA0070 - YLAA0090).....	12
<b>TABLE 5</b> - System Piping (YLAA0091 - YLAA0120).....	17
<b>TABLE 6</b> - Cooler, Insulated (YLAA0070 - YLAA0120).....	24
<b>TABLE 7</b> - Condenser Coils.....	25
<b>TABLE 8</b> - Relief Safety Devices (YLAA0070 - YLAA0120)0.....	29
<b>TABLE 9</b> - Fan Components, Standard Low Sound and Ultra Quiet Fans.....	30
<b>TABLE 10</b> - Fan Components, High Air Flow Fans.....	31
<b>TABLE 11</b> - Sensor Wiring (YLAA0070 - YLAA0090, YLAA0100 & YLAA0101).....	32
<b>TABLE 12</b> - Sensor Wiring (YLAA0091, YLAA0115 - YLAA0120).....	33
<b>TABLE 13</b> - 1-BDP Discharge Pressure Wiring Detail (YLAA0070 - YLAA0090, YLAA0100 & LAA0101).....	33
<b>TABLE 14</b> - 1-BDP Discharge Pressure Wiring Detail (YLAA0091, YLAA0115 - YLAA0120).....	34
<b>TABLE 15</b> - 2-BDP Discharge Pressure Wiring Detail (YLAA0070 - YLAA0090, YLAA0100 & LAA0101).....	34
<b>TABLE 16</b> - 2-BDP Discharge Pressure Wiring Detail (YLAA0091, YLAA0115 - YLAA0120).....	34
<b>TABLE 17</b> - Sensor Wiring (YLAA0070 - YLAA0090, YLAA0100 & YLAA0101).....	35
<b>TABLE 18</b> - Sensor Wiring (YLAA0091, YLAA0115 - YLAA0120).....	36
<b>TABLE 19</b> - 1-BDP Suction Pressure Wiring Detail (YLAA0070 - YLAA0090, YLAA0100 & YLAA0101).....	36
<b>TABLE 20</b> - 1-BDP Suction Pressure Wiring Detail (YLAA0091, YLAA0115 - YLAA0120).....	37
<b>TABLE 21</b> - 2-BDP Suction Pressure Wiring Detail (YLAA0070 - YLAA0090, YLAA0100 & YLAA0101).....	37
<b>TABLE 22</b> - 2-BDP Suction Pressure Wiring Detail (YLAA0091, YLAA0115 - YLAA0120).....	37
<b>TABLE 23</b> - System Wiring.....	38
<b>TABLE 24</b> - System Wiring Harness Details.....	41
<b>TABLE 25</b> - Power Enclosure.....	48
<b>TABLE 26</b> - Control Panel and Power Panel Identifiers For Low Sound and Ultra Sound Fans.....	50
<b>TABLE 27</b> - Control Panel and Power Panel Identifiers For High Air Flow Fans.....	51
<b>TABLE 28</b> - Power Panel Components - YLAA0070 - YLAA0120, Single Point Terminal Block (SX).....	53
<b>TABLE 29</b> - Power Panel Components - YLAA0070 - YLAA0120, Single Point Non-Fused Disconnect Switch (SD).....	56
<b>TABLE 30</b> - Power Panel Components - YLAA0070 - YLAA0120, Single Point Circuit Breaker (BX).....	63
<b>TABLE 31</b> - Power Panel Components - YLAA0070 - YLAA0120, Single Point Non-Fused Disconnect Switch with independent System Circuit Breakers (DB).....	70
<b>TABLE 32</b> - Power Panel Components - YLAA0070 - YLAA0120, Multi Point Non-Fused Disconnect Switch with Independent System Circuit Breakers (MB).....	75
<b>TABLE 33</b> - Contactor Cross Reference.....	79
<b>TABLE 34</b> - Lug Kits (Circuit Breaker or Non-Fused Disconnect Switch).....	79
<b>TABLE 35</b> - Power Panel Fuse Table.....	79
<b>TABLE 36</b> - Control Panel Components.....	80
<b>TABLE 37</b> - Hot Gas By-pass.....	82
<b>TABLE 38</b> - Low Ambient Standard Kit.....	84
<b>TABLE 39</b> - Low Ambient Expansion Valve.....	86
<b>TABLE 40</b> - Low Ambient Startup Kit.....	87
<b>TABLE 41</b> - Low Abient Wiring Harness Details.....	90
<b>TABLE 42</b> - Power Factor Capacitor.....	93
<b>TABLE 43</b> - Heat Recovery Assembly.....	95
<b>TABLE 44</b> - Field Installed Options Part Numbers.....	100
<b>TABLE 45</b> - Control Transformer.....	100
<b>TABLE 46</b> - Wire Enclosure Panels.....	101
<b>TABLE 47</b> - Enclosure Kit Option.....	103
<b>TABLE 48</b> - Aesthetic Panel.....	103
<b>TABLE 49</b> - Keypad Overlays.....	104
<b>TABLE 50</b> - E-Link Kit.....	104
<b>TABLE 51</b> - Vibration Isolators Part Numbers.....	105
<b>TABLE 52</b> - Compounds and Abrasives.....	105

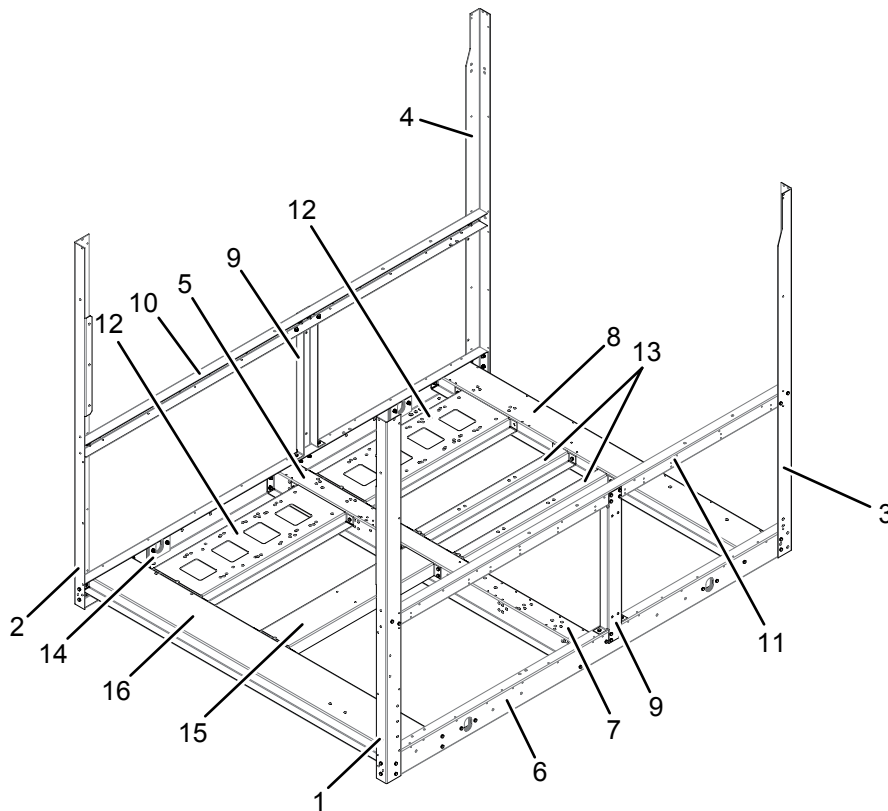
## LIST OF FIGURES

<b>FIGURE 1</b> - Base Frame 4 Fan (YLAA0070 - YLAA0090) .....	7
<b>FIGURE 2</b> - Base Frame 6 Fan (YLAA0091 - YLAA0120).....	8
<b>FIGURE 3</b> - Compressor Layouts.....	11
<b>FIGURE 4</b> - System Piping (YLAA0070 - YLAA0090).....	14
<b>FIGURE 5</b> - System Piping (YLAA0091 - YLAA0120).....	21
<b>FIGURE 6</b> - Cooler, Insulated (YLAA0070 - YLAA0120) .....	24
<b>FIGURE 7</b> - Condenser Coils .....	26
<b>FIGURE 8</b> - Relief Safety Devices (YLAA0070 - YLAA0120).....	29
<b>FIGURE 9</b> - Fan Components, Standard Low Sound and Ultra Quiet Fans .....	30
<b>FIGURE 10</b> - Fan Components, High Air Flow Fans .....	31
<b>FIGURE 11</b> - System wiring.....	40
<b>FIGURE 12</b> - Power Enclosure.....	49
<b>FIGURE 13</b> - Panel Part Number Sticker .....	52
<b>FIGURE 14</b> - Power Panel Components .....	69
<b>FIGURE 15</b> - Single Point Non-Fused Disconnect Switch with Independent System Circuit Breakers (DB) .....	74
<b>FIGURE 16</b> - Multi Point Non-Fused Disconnect Switch with Independent System Circuit Breakers.....	78
<b>FIGURE 17</b> - Control Panel Components.....	80
<b>FIGURE 18</b> - Control Panel Components.....	81
<b>FIGURE 19</b> - Hot Gas By-pass.....	83
<b>FIGURE 20</b> - Low Ambient Kit .....	88
<b>FIGURE 21</b> - Low Ambient Kit .....	89
<b>FIGURE 22</b> - Power Factor Capacitor .....	94
<b>FIGURE 23</b> - Heat Recovery Assembly (YLAA0070 - YLAA0090).....	98
<b>FIGURE 24</b> - Heat Recovery Assembly (YLAA0091 - YLAA0120).....	99
<b>FIGURE 25</b> - Wire Enclosure Panels (YLAA0091 - YLAA0120) .....	102
<b>FIGURE 26</b> - Aesthetic Panel .....	103

## UNIT COMPONENTS BASE ASSEMBLY

**TABLE 1 - BASE FRAME 4 FAN (YLAA0070 - YLAA0090)**

ITEM	DESCRIPTION	MODEL	PART NUMBER	SAP NUMBER	QUANTITY	FIGURE
1	Angle Base Front Corner	YLAA0070-YLAA0090	092-07648-000	817287	1	1
2	Angle Base Front Corner	YLAA0070-YLAA0090	092-07648-001	817288	1	1
3	Angle Base Rear Corner	YLAA0070-YLAA0090	092-07648-003	817290	1	1
4	Angle Base Rear Corner	YLAA0070-YLAA0090	092-07648-004	817291	1	1
5	Channel Base Support	YLAA0070-YLAA0090	092-07648-005	817292	1	1
6	Channel Base Support	YLAA0070-YLAA0090	092-07648-009	817296	1	1
7	Beam Cross Support	YLAA0070-YLAA0090	092-07648-007	817294	2	1
8	Beam Cross Support	YLAA0070-YLAA0090	092-07648-008	817295	1	1
9	Beam Vertical Support	YLAA0070-YLAA0090	092-07648-002	817289	2	1
10	Channel Coil Support	YLAA0070-YLAA0090	092-07648-006	817293	1	1
11	Channel Coil Support	YLAA0070-YLAA0090	092-07648-010	817297	1	1
12	Beam Comp Support	YLAA0070-YLAA0090	092-07648-011	817298	2	1
13	Beam Plate Hx Support	YLAA0070	092-07648-080	863100	2	1
		YLAA0080	092-07648-081	863101		
		YLAA0090	092-07648-082	863102		
14	Plate Lifting Reinforcing	YLAA0070-YLAA0090	075-65620-000	561203	20	1
15	Beam Filter/Dryer Support	YLAA0070-YLAA0090	092-07648-014	817299	1	1

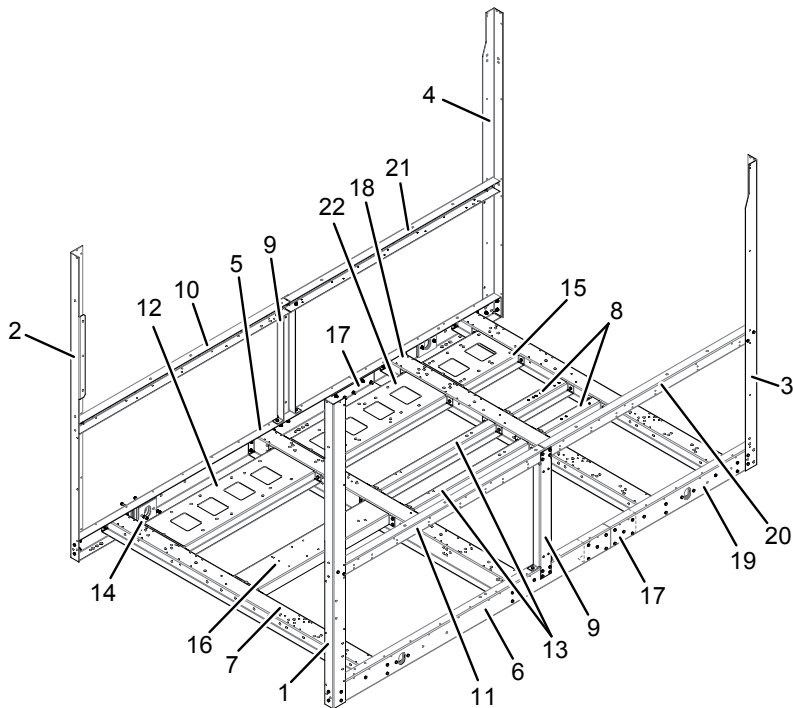


LD16771

**FIGURE 1 - BASE FRAME 4 FAN (YLAA0070 - YLAA0090)**

**TABLE 2 - BASE FRAME 5 AND 6 FAN (YLAA0091 - YLAA0120)**

ITEM	DESCRIPTION	MODEL	PART NUMBER	SAP NUMBER	QUANTITY	FIGURE
1	Angle Base Front Corner	YLAA0091-YLAA0120	092-07648-000	817287	1	2
2	Angle Base Front Corner	YLAA0091-YLAA0120	092-07648-001	817288	1	2
3	Angle Base Rear Corner	YLAA0091-YLAA0120	092-07648-003	817290	1	2
4	Angle Base Rear Corner	YLAA0091-YLAA0120	092-07648-004	817291	1	2
5	Channel, Base Support	YLAA0091-YLAA0120	092-07648-016	843983	1	2
6	Channel, Base Support	YLAA0091-YLAA0120	092-07648-025	843992	1	2
7	Beam Cross Support	YLAA0091-YLAA0120	092-07648-007	817294	4	2
8	Beam, Plate Hx Support	YLAA0091-YLAA0115	092-07648-083	863103	2	2
		YLAA0120	092-07648-085	863105		2
9	Beam Vertical Support	YLAA0091-YLAA0120	092-07648-002	817289	2	2
10	Channel, Coil Support	YLAA0091-YLAA0120	092-07648-017	843984	1	2
11	Channel, Coil Support	YLAA0091-YLAA0120	092-07648-018	843985	1	2
12	Beam, Comp Support	YLAA0091-YLAA0120	092-07648-019	843986	1	2
13	Beam, Plate Hx Support	YLAA0091-YLAA0120	092-07648-034	843994	2	2
14	Plate Lifting Reinforcing	YLAA0091-YLAA0120	075-65620-000	561203	20	2
16	Beam, Filter/Dryer Support	YLAA0091-YLAA0120	092-07648-035	843995	1	2
17	Channel, Coil Support	YLAA0091-YLAA0120	092-07648-026	843993	2	2
18	Channel, Base Support	YLAA0091-YLAA0120	092-07648-024	843991	1	2
19	Channel, Base Support	YLAA0091-YLAA0120	092-07648-023	843990	1	2
20	Channel, Coil Support	YLAA0091-YLAA0120	092-07648-022	843989	1	2
21	Channel, Coil Support	YLAA0091-YLAA0120	092-07648-021	843988	1	2
22	Beam, Comp Support	YLAA0091-YLAA0120	092-07648-020	843987	1	2



LD16772

**FIGURE 2 - BASE FRAME 5 AND 6 FAN (YLAA0091 - YLAA0120)**

## COMPRESSOR

**TABLE 3 - COMPRESSOR PART NUMBERS**

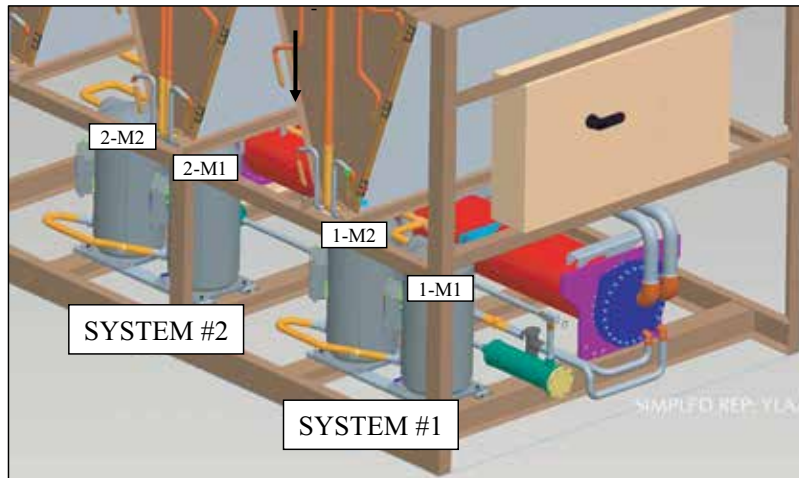
MODEL	VOLTAGE (PIN 11 & 12)	SYSTEM #1 COMPRESSOR		
		PART NUMBER	MODEL	QUANTITY
YLAA0070	17, 28	015-04055-101	ZP154KCE	3
	40	015-04055-102		
	46	015-04055-104		
	58	015-04055-105		
YLAA0080	17, 28	015-04045-101	ZP180KCE	3
	40	015-04045-102		
	46	015-04045-104		
	58	015 -04045-105		
YLAA0090	17, 28	015-04045-101	ZP180KCE	3
	40	015-04045-102		
	46	015-04045-104		
	58	015-04045-105		
YLAA0091	17, 28	015-04052-101	ZP385KCE	2
	40	015-04052-102		
	46	015-04052-104		
	58	015-04052-105		
YLAA0100 AND YLAA0101	17, 28	015-04045-101	ZP180KCE	3
	40	015-04045-102		
	46	015-04045-104		
	58	015-04045-105		
YLAA0115	17, 28	015-04052-101	ZP385KCE	2
	40	015-04052-102		
	46	015-04052-104		
	58	015-04052-105		
YLAA0120	17, 28	015-04052-101	ZP385KCE	2
	40	015-04052-102		
	46	015-04052-104		
	58	015-04052-105		

**TABLE 3 - COMPRESSOR PART NUMBERS (CONT'D)**

MODEL	VOLTAGE (PIN 11 & 12)	SYSTEM #2 COMPRESSOR		
		PART NUMBER	MODEL	QUANTITY
YLAA0070	17, 28	015-04055-101	ZP154KCE	3
	40	015-04055-102		
	46	015-04055-104		
	58	015-04055-105		
YLAA0080	17, 28	015-04055-101	ZP154KCE	3
	40	015-04055-102		
	46	015-04055-104		
	58	015-04055-105		
YLAA0090	17, 28	015-04052-101	ZP385KCE	1
	40	015-04052-102		
	46	015-04052-104		
	58	015-04052-105		
	17, 28	015-04045-101	ZP180KCE	1
	40	015-04045-102		
	46	015-04045-104		
	58	015-04045-105		
YLAA0091	17, 28	015-04045-101	ZP180KCE	2
	40	015-04045-102		
	46	015-04045-104		
	58	015-04045-105		
YLAA0100 AND YLAA0101	17, 28	015-04052-101	ZP385KCE	2
	40	015-04052-102		
	46	015-04052-104		
	58	015-04052-105		
YLAA0115	17, 28	015-04052-101	ZP385KCE	2
	40	015-04052-102		
	46	015-04052-104		
	58	015-04052-105		
YLAA0120	17, 28	015-04052-101	ZP385KCE	2
	40	015-04052-102		
	46	015-04052-104		
	58	015-04052-105		

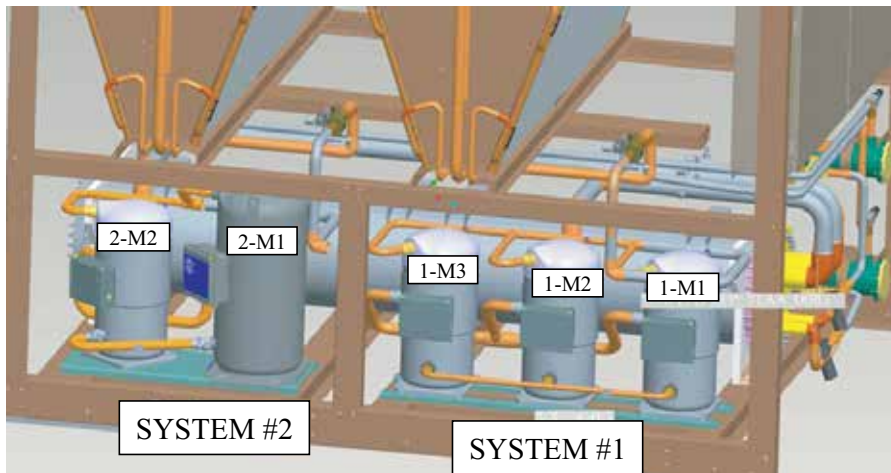
**TABLE 3A - COMPRESSOR COMPONENTS**

DESCRIPTION	PART NUMBER	SAP PART NUMBER
Oil, Compressor (Type "V")	6-1 Gallon 011-00948-000 5 Gallon 011-00949-000	62387 729001
Module Protector	025-38995-000	118028
Cover, T-Box	025-38996-000	920126
COMPRESSOR DESCRIPTION	HEATER PART NUMBER	SOUND BLANKET PART NUMBER
015-04045-xxx	025-37888-000	010-06507-002
015-04055-xxx	025-40351-000	010-06507-007
015-04052-xxx	025-37853-000	010-06507-000



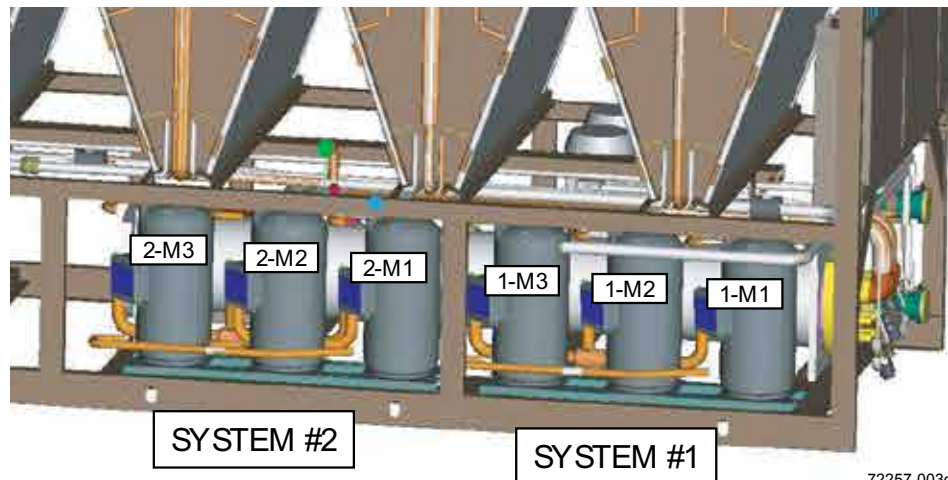
YLAA0091, YLAA0115 and YLAA0120

72257-001c



YLAA0090 & YLAA0101

72257-002c



YLAA0070 and YLAA0080

72257-003c

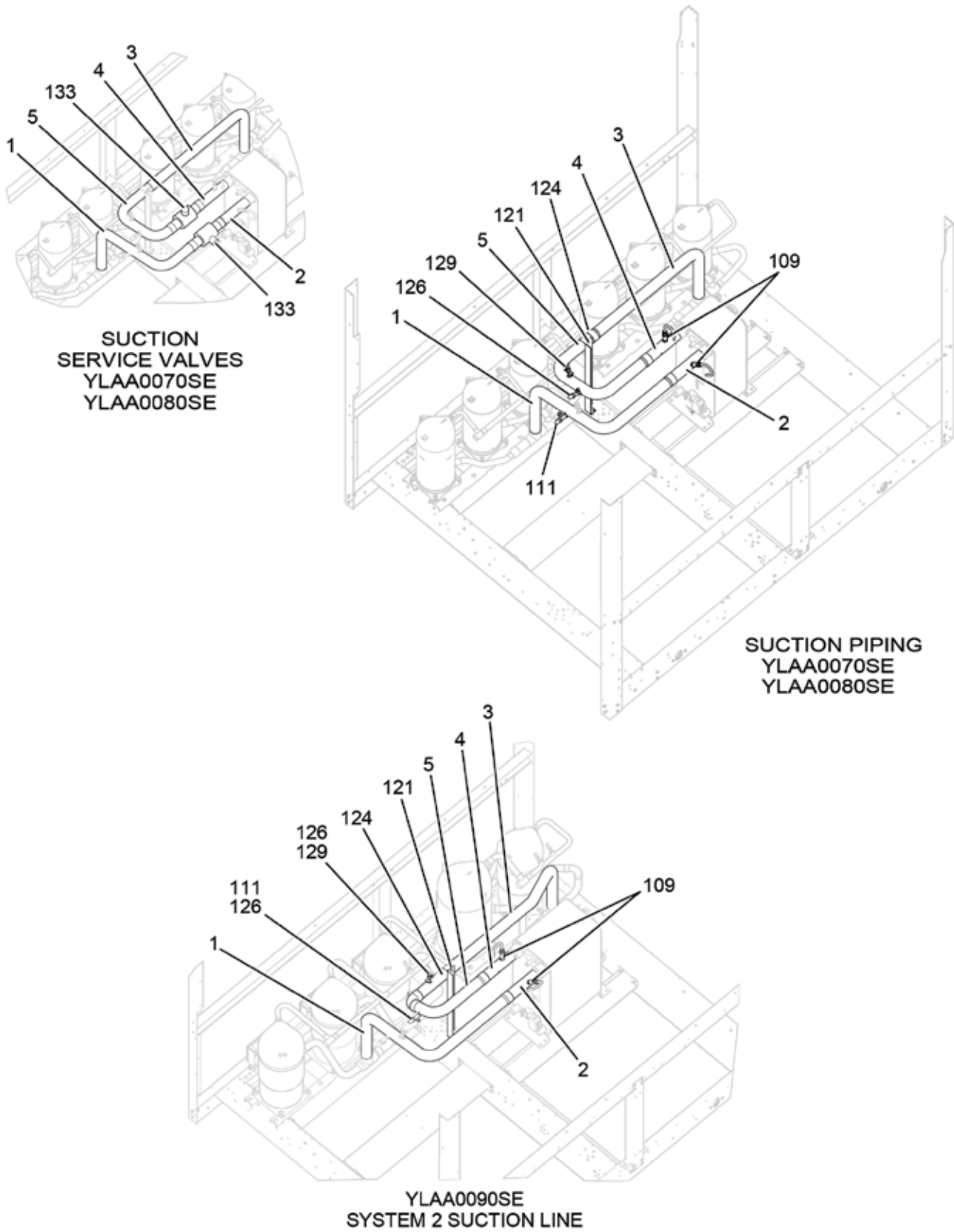
**FIGURE 3 - COMPRESSOR LAYOUTS**

**TABLE 4 - SYSTEM PIPING (YLAA0070 - YLAA0090)**

ITEM	DESCRIPTION	MODEL	PIN 31 OPTION	PART NUMBER	SAP	FIGURE
1	Line Suction Cooler (PIN 29,30 >10)	YLAA0070	X, C	092-07688-100	817332	4
			S, B	092-07688-003	817304	
		YLAA0080, YLAA0090	X, C	092-07688-132	817335	
			S, B	092-07688-033	817326	
	Line Suction Cooler (PIN 29,30 >30)	YLAA0070	X, C	092-07688-000	817301	
			S, B	092-07688-003	817304	
		YLAA0080, YLAA0090	X, C	092-07688-033	817326	
			S, B	092-07688-032	817325	
2	Line Suction Cooler (PIN 29,30 >10)	YLAA0070 - YLAA0090	S, B	092-07688-105	817334	4
	Line Suction Cooler (PIN 29,30 >30)	YLAA0070 - YLAA0090	S, B	092-07688-024	817317	
3	Line Suction Cooler (PIN 29,30 >30)	YLAA0070, YLAA0080	X, C, S, B	092-07688-001	817302	4
		YLAA0090		092-07688-034	817327	
4	Line Suction Cooler (PIN 29,30 >10)	YLAA0070 - YLAA0080	S, B	092-07688-105	817334	4
	Line Suction Cooler (PIN 29,30 >30)	YLAA0070 - YLAA0090	S, B	092-07688-005	817306	
5	Line Suction Cooler (PIN 29,30 >10)	YLAA0070, YLAA0080	X, C	092-07688-102	817333	4
			S, B	092-07688-004	817305	
		YLAA0090	X, C	092-07688-037	817330	
			S, B	092-07688-036	817329	
	Line Suction Cooler (PIN 29,30 >30)	YLAA0070, YLAA0080	X, C	092-07688-002	817303	
			S, B	092-07688-004	817305	
		YLAA0090	X, C	092-07688-035	817328	
			S, B	092-07688-036	817329	
6	Line Discharge Compressor Stop Valve	YLAA0070	X, C, S, B	075-75897-000	757831	4
		YLAA0080, YLAA0090		075-75889-000	539658	
7	Pipe Discharge	YLAA0070 - YLAA0090	X, C, S, B	075-77930-056	547756	4
8	Line Discharge Compressor Stop Valve	YLAA0070 - YLAA0080	X, C, S, B	075-75897-000	757831	4
		YLAA0090		075-75887-001	757822	
9	Pipe Discharge	YLAA0070 - YLAA0090	X, C, S, B	092-07688-028	817321	4
10	Line Discharge Compressor Stop Valve	YLAA0070 - YLAA0090	X, C, S, B	075-75252-000	440205	4
11	Pipe Hot Gas	YLAA0070 - YLAA0090	X, C, S, B	075-77930-018	758166	4
12	Pipe Hot Gas	YLAA0070 - YLAA0090	X, C, S, B	075-77930-019	758167	4
13	Pipe Liquid	YLAA0070 - YLAA0090	X, C, S, B	092-07688-012	817311	4
14	Pipe Liquid	YLAA0070 - YLAA0090	X, C, S, B	092-07688-011	817310	4
15	Pipe Liquid	YLAA0070 - YLAA0090	X, C, S, B	092-07688-015	817314	4
16	Pipe Liquid	YLAA0070 - YLAA0090	X, C, S, B	092-07688-014	817313	4
17	Pipe Liquid System 1	YLAA0070	X, C, S, B	092-07688-013	817312	4
		YLAA0080, YLAA0090		092-07688-038	817331	
18	Pipe Liquid System 2	YLAA0070 - YLAA0090	X, C, S, B	092-07688-016	817315	4
19	Pipe Liquid	YLAA0070 - YLAA0090	X, C, S, B	092-07688-006	817307	4

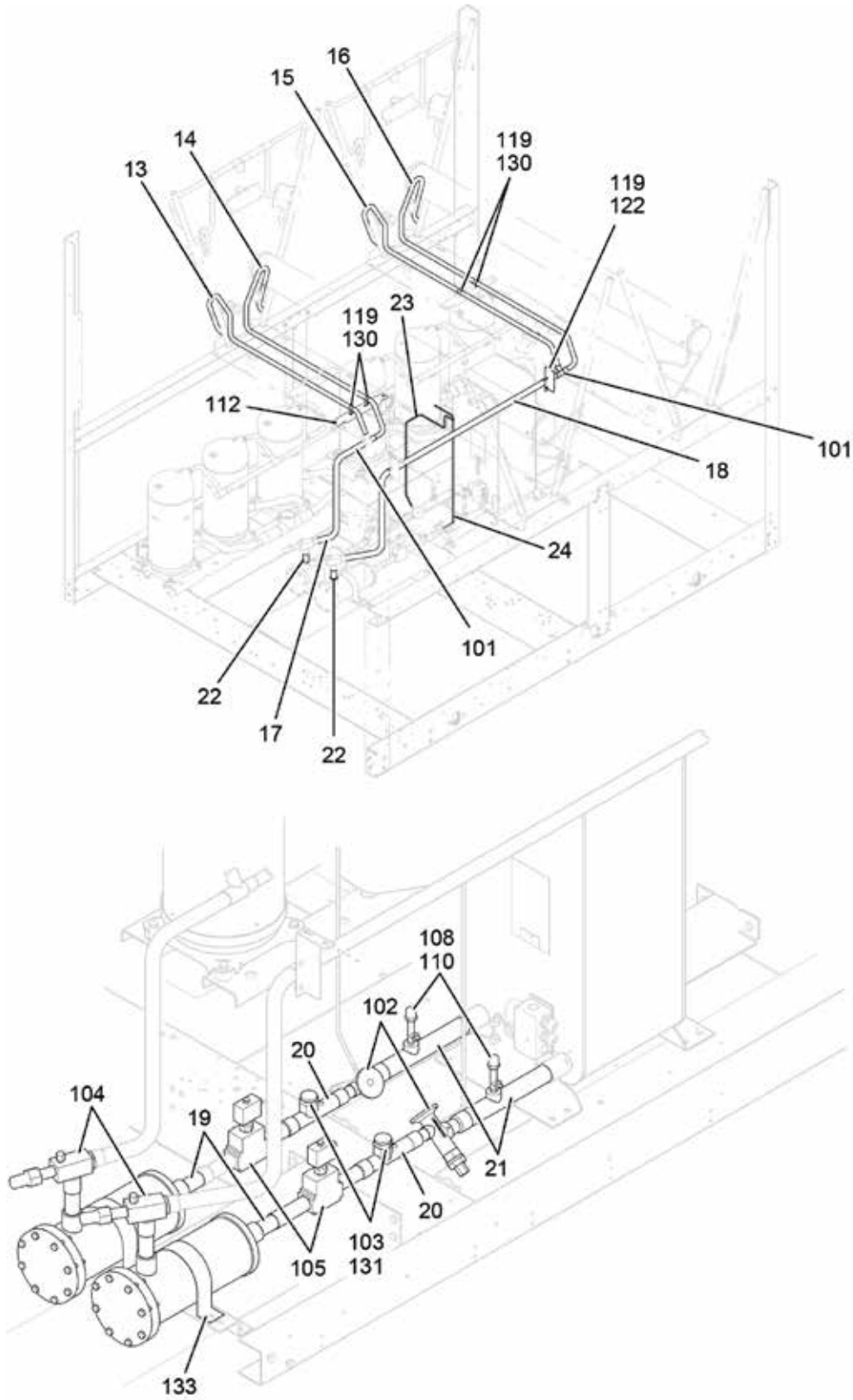
**TABLE 4 - SYSTEM PIPING YLAA0070 - YLAA0090 (CONT'D)**

ITEM	DESCRIPTION	MODEL	PIN 31 OPTION	PART NUMBER	SAP	FIGURE
20	Pipe Liquid (PIN 29,30 >10)	YLAA0070 - YLAA0090	X, C, S, B	092-07688-030	817323	4
	Pipe Liquid (PIN 29,30 >30)	YLAA0070 - YLAA0090	X, C, S, B	092-07688-007	817308	
21	Pipe Liquid (PIN 29,30 >10)	YLAA0070 - YLAA0090	X, C, S, B	092-07688-031	817324	4
	Pipe Liquid (PIN 29,30 >30)	YLAA0070 - YLAA0090	X, C, S, B	092-07688-008	817309	
22	Pipe Liquid	YLAA0070 - YLAA0090	X, C, S, B	092-07688-027	817320	4
23	Pipe Equalizing System 1	YLAA0070 - YLAA0090	X, C, S, B	092-07688-021	817316	4
24	Pipe Equalizing System 2	YLAA0070 - YLAA0090	X, C, S, B	092-07688-029	817322	4
100	Valve, Ball 1-5/8	YLAA0070 - YLAA0090	X, C, S, B	022-08883-000	731236	4
101	Tee	YLAA0070 - YLAA0090	X, C, S, B	023-02717-000	414153	4
102	Valve, Electronic ETS25 (PIN 29,30 >10)	YLAA0070 - YLAA0090	X, C, S, B	025-42426-025	520120	4
	Valve, Tev 1-1/8 (PIN 29,30 >30)	YLAA0070 - YLAA0090	X, C, S, B	025-40681-000	739877	
103	Special Adapter/ Connector	YLAA0070 - YLAA0090	X, C, S, B	026-37544-000	740965	4
104	Valve	YLAA0070 - YLAA0090	X, C, S, B	022-10022-000	62512	4
105	Valve, Solenoid	YLAA0070 - YLAA0090	X, C, S, B	025-41743-000	740010	4
106	Filter Drier Core	YLAA0070 - YLAA0090	X, C, S, B	026-43984-002	415229	4
107	CTG DEHY 100% Molecular	YLAA0070 - YLAA0090	X, C, S, B	026-37540-000	740964	4
108	Saddle (PIN 29,30 >10)	YLAA0070 - YLAA0090	X, C, S, B	023-20076-004	440734	4
	Saddle (PIN 29,30 >30)	YLAA0070 - YLAA0090	X, C, S, B	023-20076-003	411260	
109	Saddle	YLAA0070 - YLAA0090	X, C, S, B	075-62305-004	754947	4
110	Valve, Stop	YLAA0070 - YLAA0090	X, C, S, B	022-00009-000	257712	4
111	Valve, Charging Brass	YLAA0070 - YLAA0090	X, C, S, B	022-09754-000	391983	4
112	Bracket, Filter Drier	YLAA0070 - YLAA0090	X, C, S, B	092-07700-001	817337	4
119	Bracket Pipe Support	YLAA0070 - YLAA0090	X, C, S, B	075-75051-000	757570	4
120	Bracket	YLAA0070 - YLAA0090	X, C, S, B	075-75052-001	757577	4
121	Bracket Pipe Support	YLAA0070, YLAA0090	X, C, S, B	092-07700-005	817339	4
		YLAA0080		092-07700-006	817340	
122	Clamp, Tube 1-1/8	YLAA0070 - YLAA0090	X, C, S, B	066-83964-000	747424	4
123	Clamp, Tube 1-5/8	YLAA0070 - YLAA0090	X, C, S, B	066-88928-000	372793	4
124	Clamp, Tube 2-5/8	YLAA0070 - YLAA0090	X, C, S, B	066-92480-000	747619	4
125	Saddle, 1/2in Solder Fit	YLAA0070 - YLAA0090	X, C, S, B	075-62305-000	754943	4
126	Saddle, Solder Fitting	YLAA0070 - YLAA0090	X, C, S, B	075-62305-001	754944	4
127	Adapter 1/4 Extension	YLAA0070 - YLAA0090	X, C, S, B	023-06596-000	731830	4
128	Adapter Saddle For Piping	YLAA0070 - YLAA0090	X, C, S, B	023-20817-002	411261	4
129	Valve, Transducer	YLAA0070 - YLAA0090	X, C, S, B	022-11735-000	430728	4
130	Clamp, Support	YLAA0070 - YLAA0090	X, C, S, B	023-24968-000	733999	4
131	Indicator Moist Liquid Cap	YLAA0070 - YLAA0090	X, C, S, B	026-37548-000	638590	4
133	Bracket Filter Drier	YLAA0070 - YLAA0090	X, C, S, B	075-45650-000	751600	4
134	Valve Shut Off Ball	YLAA0070 - YLAA0090	S, B	022-09753-000	378432	4
135	ELL SLD 2-5/8	YLAA0090	X, C, S, B	023-09748-000	732179	4



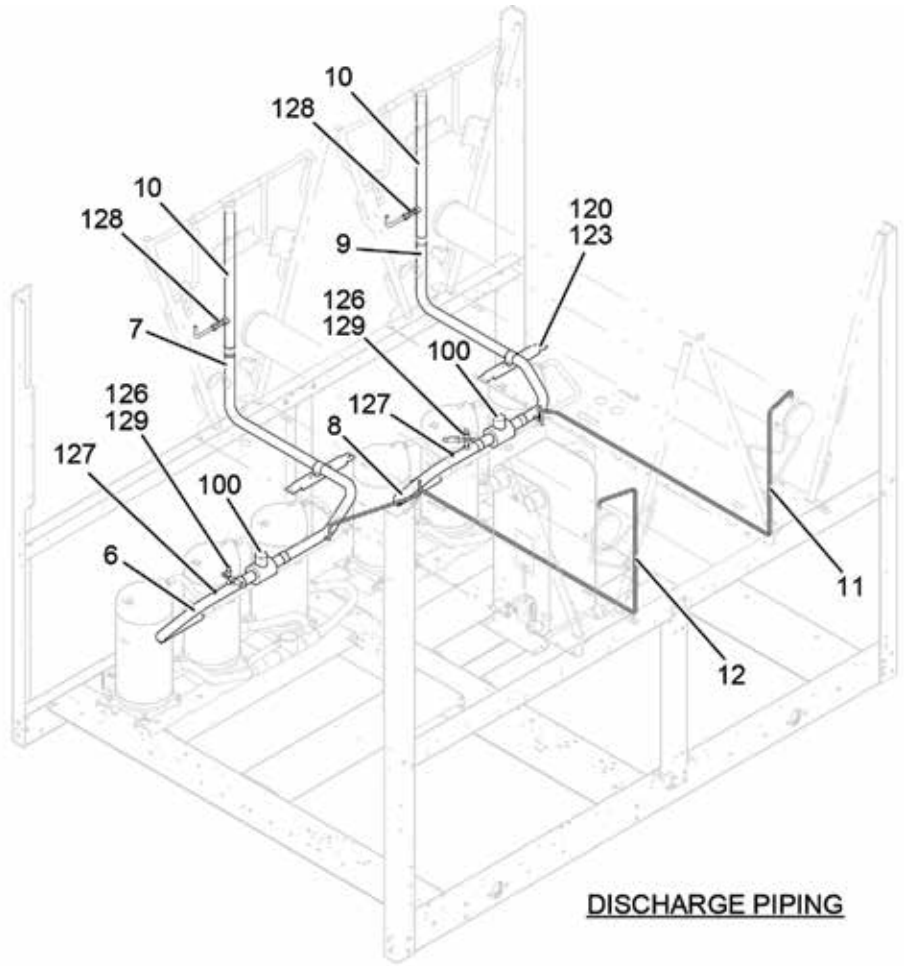
LD16773

FIGURE 4 - SYSTEM PIPING (YLAA0070 - YLAA0090)

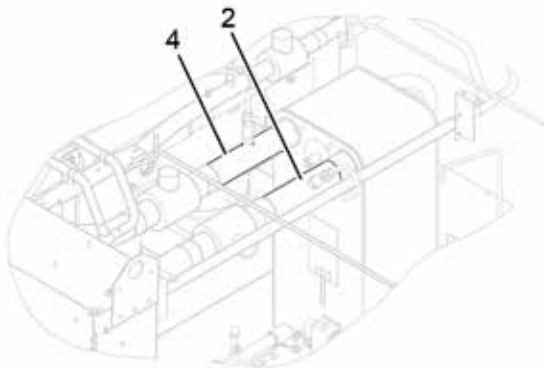


LD16774

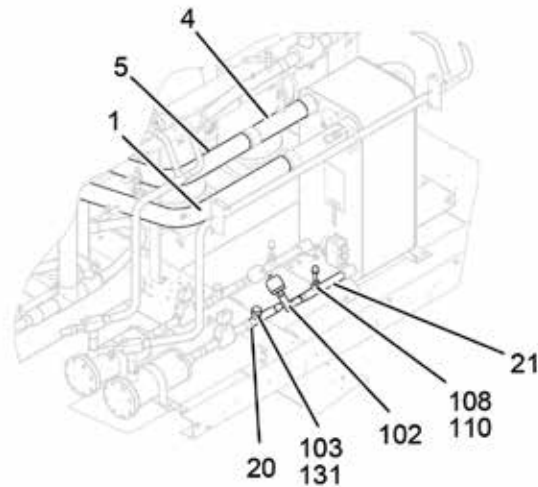
**FIGURE 4 - SYSTEM PIPING (YLAA0070 - YLAA0090) (CONT'D)**



**DISCHARGE PIPING**



**SUCTION LINE CHANGES FOR EEV OPTIONS  
 WITH SYSTEM SERVICE VALVES**



**LIQUID AND SUCTION LINE  
 CHANGES FOR EEV OPTIONS**

LD16774a

**FIGURE 4 - SYSTEM PIPING (YLAA0070 - YLAA0090) (CONT'D)**

**TABLE 5 - SYSTEM PIPING (YLAA0091 - YLAA0120)**

ITEM	DESCRIPTION	MODEL	PIN 31 OPTION	PART NUMBER	SAP	FIGURE
1	Line Suction Cooler (PIN 29,30 >10)	YLAA0091	X, C	092-07688-069	844027	5
			S, B	092-07688-040	843999	
		YLAA0100, YLAA0101	X, C	092-07688-075	844033	
			S, B	092-07688-072	844030	
		YLAA0115, YLAA0120	X, C	092-07688-263	844059	
	S, B		092-07688-262	844058		
	Line Suction Cooler (PIN 29,30 >30)	YLAA0091	X, C	092-07688-058	844017	
			S, B	092-07688-040	843999	
		YLAA0100, YLAA0101	X, C	092-07688-073	844031	
			S, B	092-07688-072	844030	
YLAA0115, YLAA0120		X, C	092-07688-260	844056		
	S, B	092-07688-262	844058			
2	Line Suction Cooler (PIN 29,30 >10)	YLAA0101 - YLAA0120	S,B	092-07688-062	844021	5
	Line Suction Cooler (PIN 29,30 >30)	YLAA0115, YLAA0120	S,B	092-07688-053	844012	
3	Line Suction Cooler	YLAA0091, YLAA0100, YLAA0101, YLAA0115, YLAA0120	X, C, S, B	092-07688-039	843998	5
				092-07688-074	844032	
				092-07688-261	844057	
4	Line Suction Cooler	YLAA0115, YLAA0120	S, B	092-07688-043	844002	5
5	Line Suction Cooler (PIN 29,30 >10)	YLAA0091 - YLAA0120	X, C	092-07688-070	844028	5
			S, B	092-07688-062	844021	
	Line Suction Cooler (PIN 29,30 >30)	YLAA0091 - YLAA0120	X, C	092-07688-057	844016	
			S, B	092-07688-054	844013	
6	Line Discharge Compressor Stop Valve	YLAA0091, YLAA0115 - YLAA0120, YLAA0100, YLAA0101	X, C, S, B	092-07688-045	844004	5
				092-07688-247	844043	
7	Pipe Discharge	YLAA0091, YLAA0115 - YLAA0120	X, C, S, B	092-07688-055	844014	5
8	Line Discharge Compressor Stop Valve	YLAA0091 - YLAA0120	X, C, S, B	075-77930-058	545939	5
9	Line Discharge	YLAA0091, YLAA0100, YLAA0115 - YLAA0120, YLAA00101	X, C, S, B	092-07688-056	844015	5
				092-07688-250	844046	5
10	Line Liquid	YLAA0091, YLAA0100, YLAA0115, YLAA0120	X, C, S, B	092-07688-048	844007	5
11	Line Discharge System 2	YLAA0091, YLAA0115, YLAA0120	X, C, S, B	075-75169-000	447676	5
12	Line Discharge System 1	YLAA0091, YLAA0100, YLAA0101, YLAA0115, YLAA0120	X, C, S, B	092-07688-044	844003	5
				092-07688-078	844035	
				092-07688-258	844054	
13	Pipe Liquid	YLAA0091 - YLAA0120	X, C, S, B	092-07688-027	817320	5

**TABLE 5 - SYSTEM PIPING (YLAA0091 - YLAA0120) (CONT'D)**

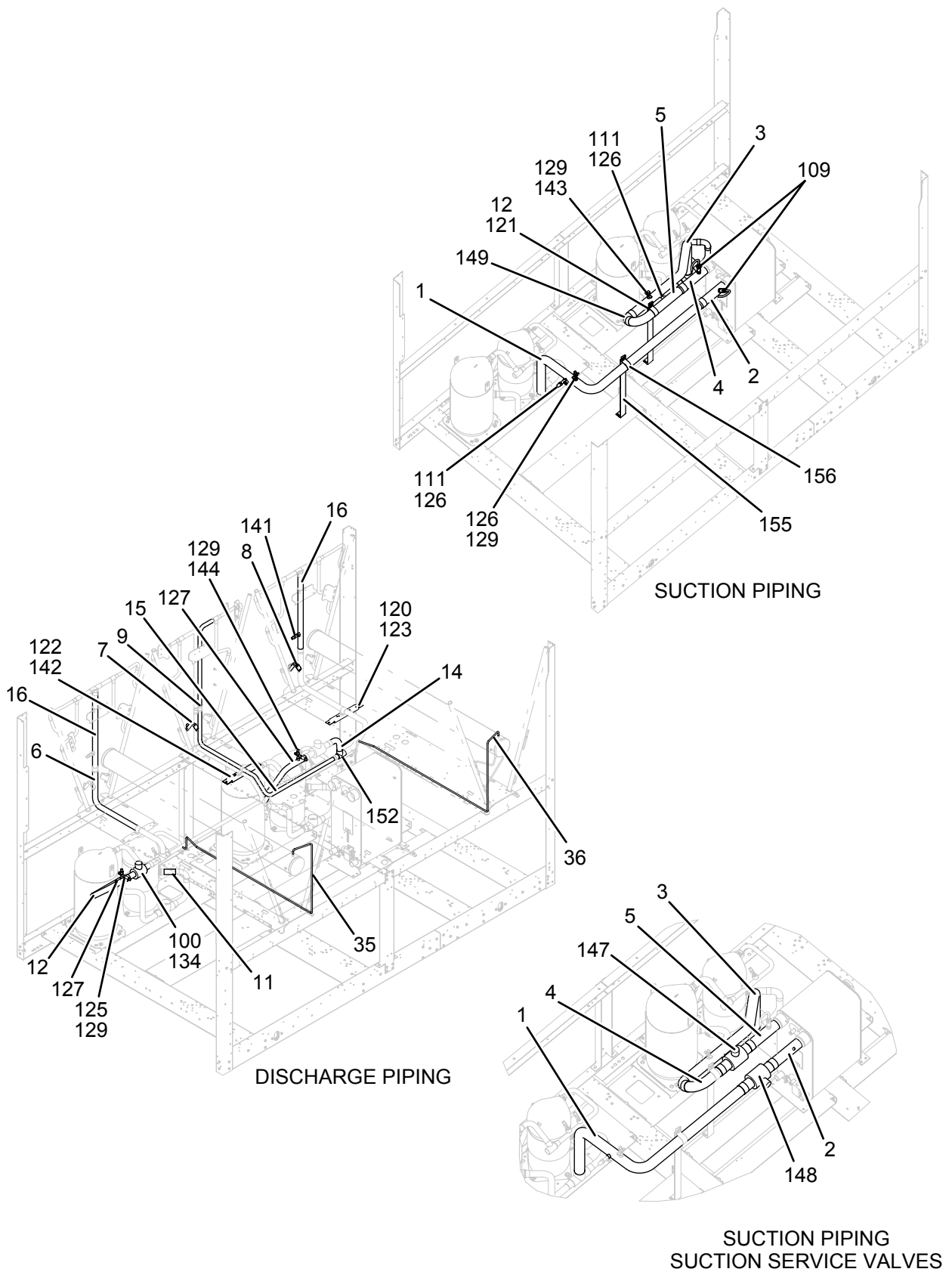
ITEM	DESCRIPTION	MODEL	PIN 31 OPTION	PART NUMBER	SAP	FIGURE
14	Line Discharge System 2	YLAA0091, YLAA0115 - YLAA0120	X, C, S, B	092-07688-042	844001	5
		YLAA0100, YLAA0101		092-07688-079	844036	
15	Line Discharge System 2	YLAA0091	X, C, S, B	092-07688-041	844000	5
		YLAA0100, YLAA0101		092-07688-077	844034	
		YLAA0115, YLAA0120		092-07688-259	844055	
16	Line Discharge System 1 & 2	YLAA0091 - YLAA0120	X, C, S, B	075-75252-000	440205	5
17	Line Liquid System 1	YLAA0091 - YLAA0120	X, C, S, B	092-07688-046	844005	5
18	Line Liquid	YLAA0091 - YLAA0120	X, C, S, B	092-07688-066	844024	5
19	Line Liquid	YLAA0091, YLAA0115 - YLAA0120	X, C, S, B	092-07688-047	844006	5
		YLAA0101		092-07688-254	844050	
20	Line Liquid	YLAA0091, YLAA0100, YLAA0115 - YLAA0120	X, C, S, B	092-07688-050	844009	5
		YLAA0101		092-07688-253	844049	
21	Line Liquid System 1	YLAA0091, YLAA0100, YLAA0115 - YLAA0120	X, C, S, B	092-07688-065	844023	5
		YLAA0101		092-07688-252	844048	
22	Line Liquid System 2	YLAA0091, YLAA0100, YLAA0115 - YLAA0120	X, C, S, B	092-07688-064	844022	5
		YLAA0101		092-07688-251	844047	
23	Line Liquid System 1 6 Fan (PIN 29,30 >10)	YLAA0091	X, C, S, B	092-07688-052	844011	5
		YLAA0100, YLAA0101		092-07688-249	844045	
		YLAA0115, YLAA0120		092-07688-224	844040	
	Line Liquid System 1 6 Fan (PIN 29,30 >30)	YLAA0091, YLAA0115 - YLAA0120	X, C, S, B	092-07688-052	844011	
YLAA0100		092-07688-071		844029		
24	Line Liquid System 2	YLAA0091, YLAA0100, YLAA0115 - YLAA0120	X, C, S, B	092-07688-049	844008	5
		YLAA0101		092-07688-255	844051	
25	Line Liquid System 1	YLAA0091, YLAA0115 - YLAA0120	X, C, S, B	092-07688-051	844010	5
		YLAA0100	X, C	092-07688-051	844010	
		YLAA0100	S, B	092-07688-068	844026	
		YLAA0101	X, C, S, B	092-07688-257	844053	
26	Pipe Liquid	YLAA0091 - YLAA0120	X, C, S, B	092-07688-006	817307	5

**TABLE 5 - SYSTEM PIPING (YLAA0091 - YLAA0120) (CONT'D)**

ITEM	DESCRIPTION	MODEL	PIN 31 OPTION	PART NUMBER	SAP	FIGURE
27	Pipe Liquid	YLAA0091, YLAA0115 - YLAA0120	X, C, S, B	092-07688-007	817308	5
		YLAA0100, YLAA0101	X, C	092-07688-007	817308	
		YLAA0100, YLAA0101	S, B	092-07688-067	844025	
28	Line Liquid System 2	YLAA0091, YLAA0115 - YLAA0120	X, C, S, B	092-07688-221	844037	5
		YLAA0100, YLAA0101	X, C	092-07688-221	844037	
		YLAA0100, YLAA0101	S, B	092-07688-061	844020	
32	Line Liquid System 1 & 2	YLAA0091 - YLAA0101	X, C, S, B	092-07688-060	844019	5
		YLAA0115, YLAA0120		092-07688-265	844061	
33	Pipe Liquid	YLAA0091 - YLAA0101	X, C, S, B	092-07688-059	844018	5
		YLAA0115, YLAA0120		092-07688-264	844060	
34	Pipe Liquid	YLAA0091 - YLAA0120	X, C, S, B	092-07688-027	817320	5
35	Pipe Liquid System 1	YLAA0091, YLAA0115 - YLAA0120	X, C, S, B	092-07688-245	844041	5
		YLAA0100, YLAA0101		092-07688-248	844044	
36	Line Liquid System 2	YLAA0091 - YLAA0120	X, C, S, B	092-07688-246	844042	5
100	Valve, Ball	YLAA0091 - YLAA0120	X, C, S, B	022-08883-000	731236	5
101	Tee	YLAA0091 - YLAA0120	X, C, S, B	023-02717-000	414153	5
102	Valve Electronic (PIN 29,30 >10)	YLAA0091	X, C, S, B	025-42426-025	520120	5
		YLAA0100 - YLAA0120		025-42426-050	516656	
	Valve TEV (PIN 29,30 >30)	YLAA0091 - YLAA0101	X, C, S, B	025-40681-000	739877	
		YLAA0115, YLAA0120		025-41743-000	740010	
103	Special Adapter/Connector	YLAA0091 - YLAA0101	X, C, S, B	026-37544-000	740965	5
104	Valve	YLAA0091 - YLAA0101	X, C, S, B	022-10022-000	62512	5
105	Valve, Solenoid	YLAA0091 - YLAA0101	X, C, S, B	025-41743-000	740010	5
106	Filter Drier Core	YLAA0091 - YLAA0120	X, C, S, B	026-43984-002	415229	5
107	CTG DEHY 100% Molecular	YLAA0091 - YLAA0120	X, C, S, B	026-37540-000	740964	5
108	Saddle, 1.375	YLAA0091 - YLAA0120	X, C, S, B	023-20076-003	411260	5
109	Saddle, 1.125	YLAA0091 - YLAA0120	X, C, S, B	075-62305-004	754947	5
110	Valve Stop	YLAA0091 - YLAA0120	X, C, S, B	022-00009-000	257712	5
111	Valve, Charging Brass	YLAA0091 - YLAA0120	X, C, S, B	022-09754-000	391983	5
112	Bracket Filter Drier	YLAA0091 - YLAA0120	X, C, S, B	092-07700-001	817337	5
120	Bracket	YLAA0091 - YLAA0120	X, C, S, B	075-75052-001	757577	5
121	Bracket Pipe Support	YLAA0091 - YLAA0120	X, C, S, B	092-07700-017	844063	5
122	Clamp Tube 1-1/8	YLAA0091 - YLAA0120	X, C, S, B	066-83964-000	747424	5
123	Clamp Tube 1-5/8	YLAA0091 - YLAA0120	X, C, S, B	066-88928-000	372793	5
124	Clamp Tube 2-5/8	YLAA0091 - YLAA0120	X, C, S, B	066-92480-000	747619	5
125	Saddle 1/2" Solder Fit	YLAA0091 - YLAA0120	X, C, S, B	075-62305-000	754943	5
126	Saddle, Solder Fitting	YLAA0091 - YLAA0120	X, C, S, B	075-62305-001	754944	5

**TABLE 5 - SYSTEM PIPING (YLAA0091 - YLAA0120) (CONT'D)**

ITEM	DESCRIPTION	MODEL	PIN 31 OPTION	PART NUMBER	SAP	FIGURE
127	Adapter	YLAA0091 - YLAA0120	X, C, S, B	023-06596-000	731830	5
128	Adapter Saddle For Piping	YLAA0091 - YLAA0120	X, C, S, B	023-20817-002	411261	5
129	Valve, Transducer	YLAA0091 - YLAA0120	X, C, S, B	022-11735-000	430728	5
130	Clamp, Support	YLAA0091 - YLAA0120	X, C, S, B	023-24968-000	733999	5
131	Indicator Moist Liquid Cap	YLAA0091 - YLAA0120	X, C, S, B	026-37548-000	638590	5
133	Bracket Filter Drier	YLAA0091 - YLAA0120	X, C, S, B	075-45650-000	751600	5
134	Valve, Ball 1-5/8	YLAA0091 - YLAA0120	X, C, S, B	022-08883-000	731236	5
135	Valve	YLAA0091 - YLAA0120	X, C, S, B	022-10022-000	62512	5
136	Filter Drier Core 2	YLAA0091 - YLAA0120	X, C, S, B	026-43984-002	415229	5
137	Valve, Solenoid	YLAA0091 - YLAA0120	X, C, S, B	025-41743-000	740010	5
138	Special Adapter/Connector	YLAA0091 - YLAA0120	X, C, S, B	026-37544-000	740965	5
139	Valve TEV (PIN 29,30 >10)	YLAA0091	X, C, S, B	025-42426-025	520120	5
		YLAA00100 - YLAA0120		025-42426-050	516656	
	Valve TEV (PIN 29,30 >30)	YLAA0091 - YLAA0120	X, C, S, B	025-40681-000	739877	
		YLAA0100 - YLAA0120		025-40900-008	739946	
140	Saddle	YLAA0091 - YLAA0120	X, C, S, B	023-20076-003	411260	5
141	Adapter Saddle	YLAA0091 - YLAA0120	X, C, S, B	023-20817-002	411261	5
142	Bracket Pipe Support	YLAA0091 - YLAA0120	X, C, S, B	075-75972-001	757878	5
143	Saddle Solder Fitting	YLAA0091 - YLAA0120	X, C, S, B	075-62305-001	754944	5
144	Sadde Solder Fit	YLAA0091 - YLAA0120	X, C, S, B	075-62305-000	754943	5
145	Clamp Tub 1-1/8	YLAA0091 - YLAA0120	X, C, S, B	066-83964-000	747424	5
147	Valve Shut Off Ball	YLAA0091 - YLAA0120	S, B	022-09753-000	378432	5
149	ELL SLD	YLAA0091 - YLAA0120	X, C, S, B	023-09748-000	732179	5
150	Bracket Pipe Support	YLAA0091 - YLAA0120	X, C, S, B	075-75051-000	757570	5
152	Tee	YLAA0091 - YLAA0120	X, C, S, B	023-05939-000	731810	5
154	Tee	YLAA0091 - YLAA0120	X, C, S, B	023-00247-000	371703	5
155	Bracket Pipe Support	YLAA0091 - YLAA0120	X, C, S, B	092-07700-017	844063	5
156	Clamp Tube 2-5/8	YLAA0091 - YLAA0120	X, C, S, B	066-92480-000	747619	5
157	Bracket Pipe Support	YLAA0101	X, C	092-07700-014	844062	5



**FIGURE 5 - SYSTEM PIPING (YLAA0091 - YLAA0120)**

LD16775

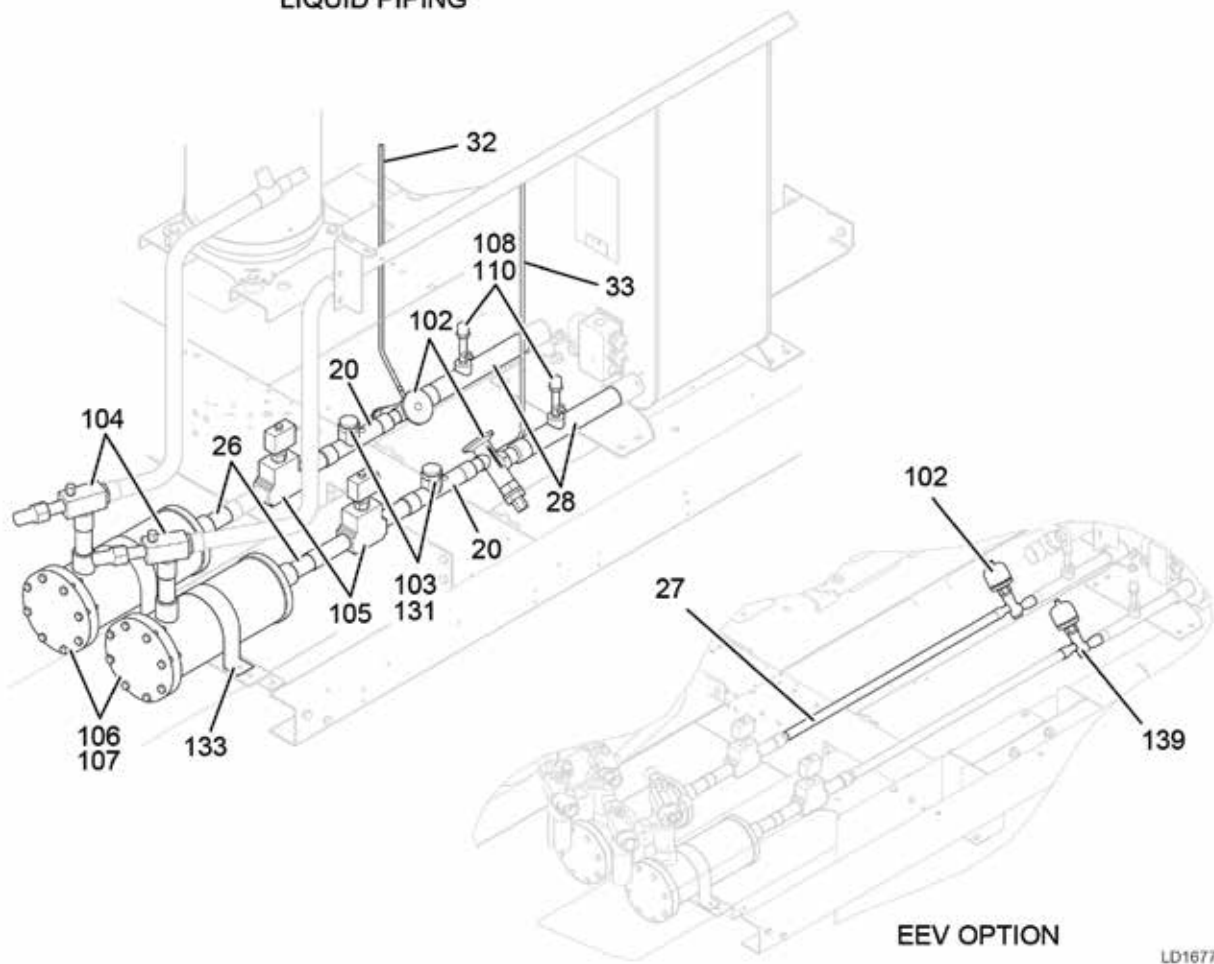
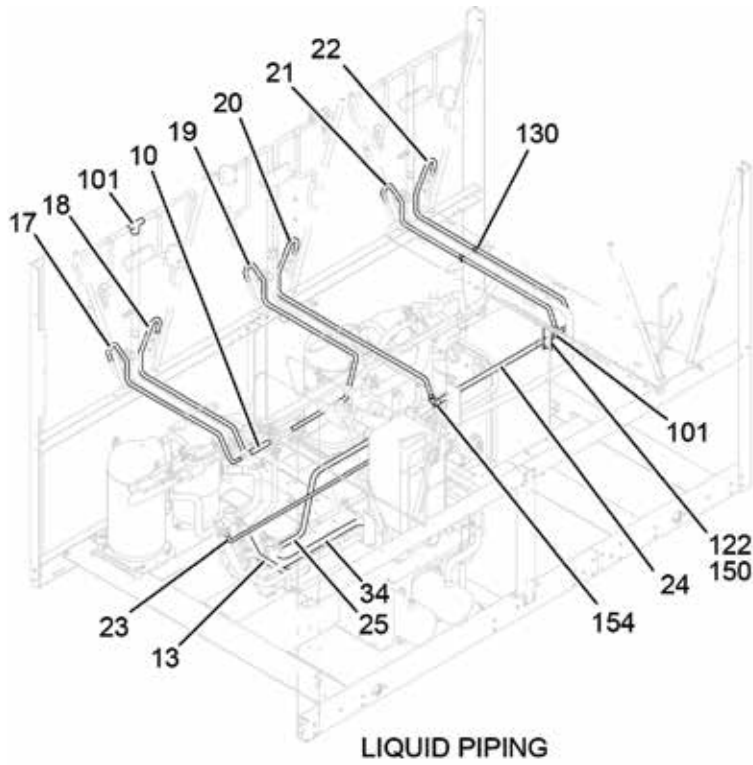
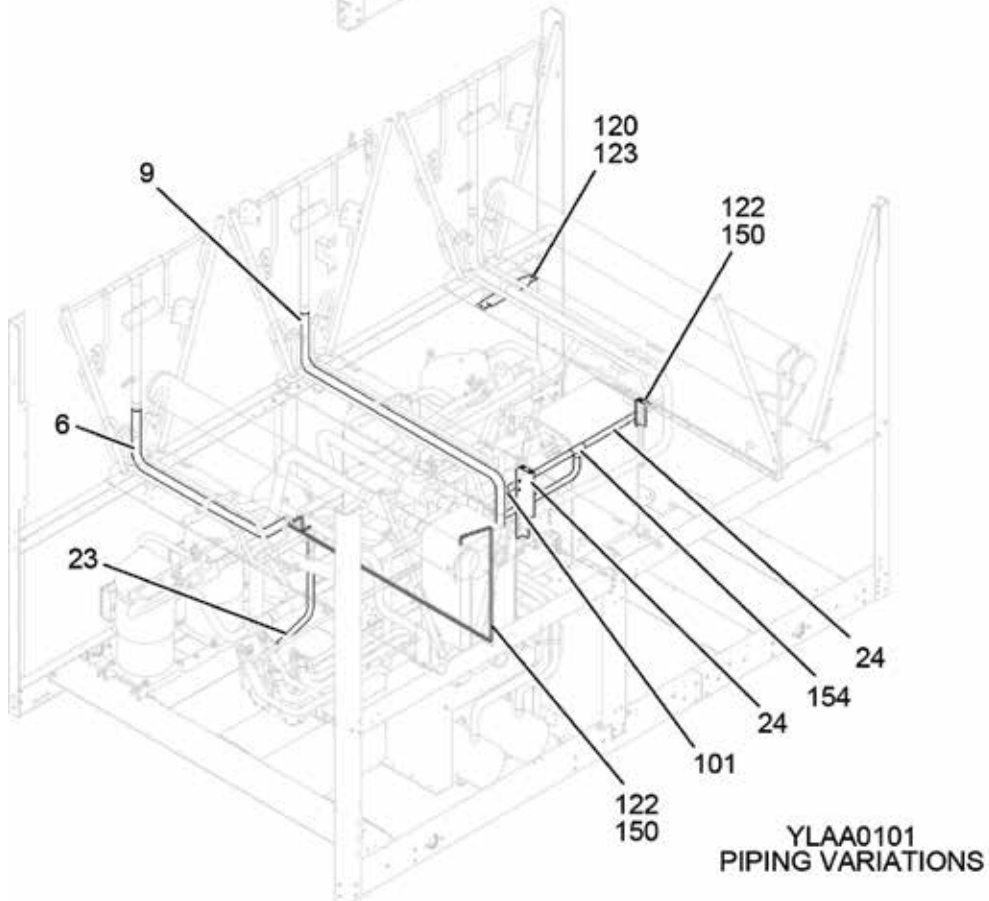
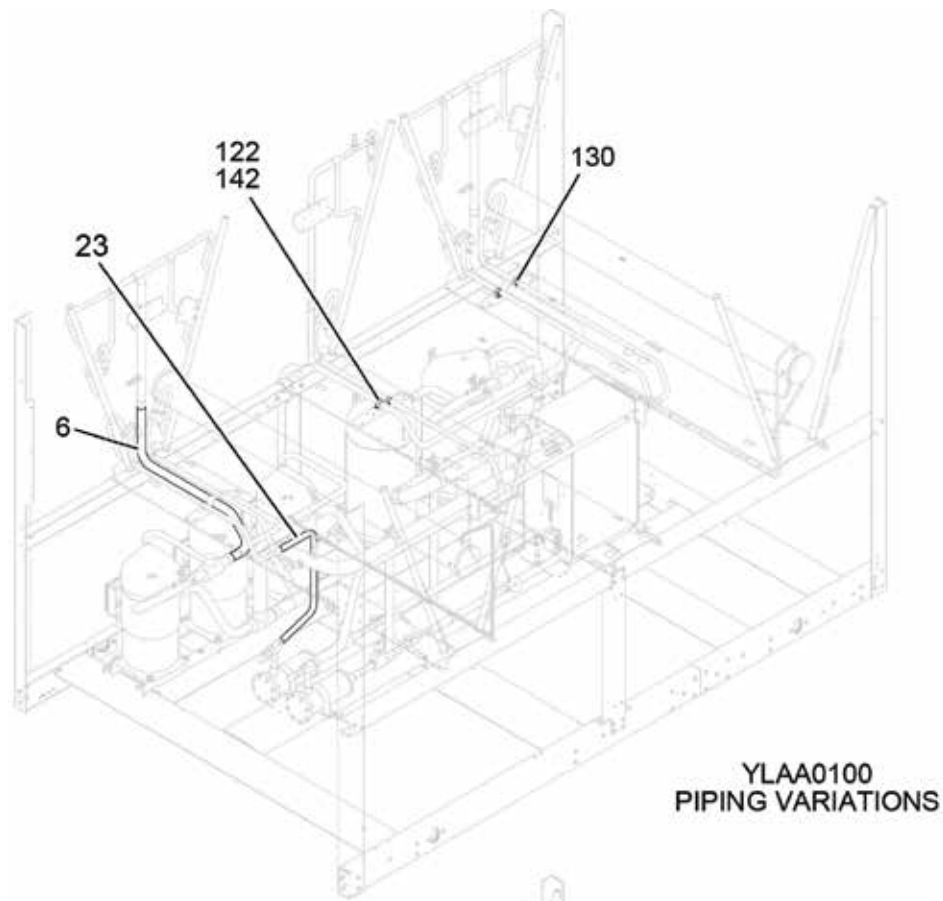


FIGURE 5 - SYSTEM PIPING (YLAA0091 - YLAA0120) (CONT'D)

LD16775a



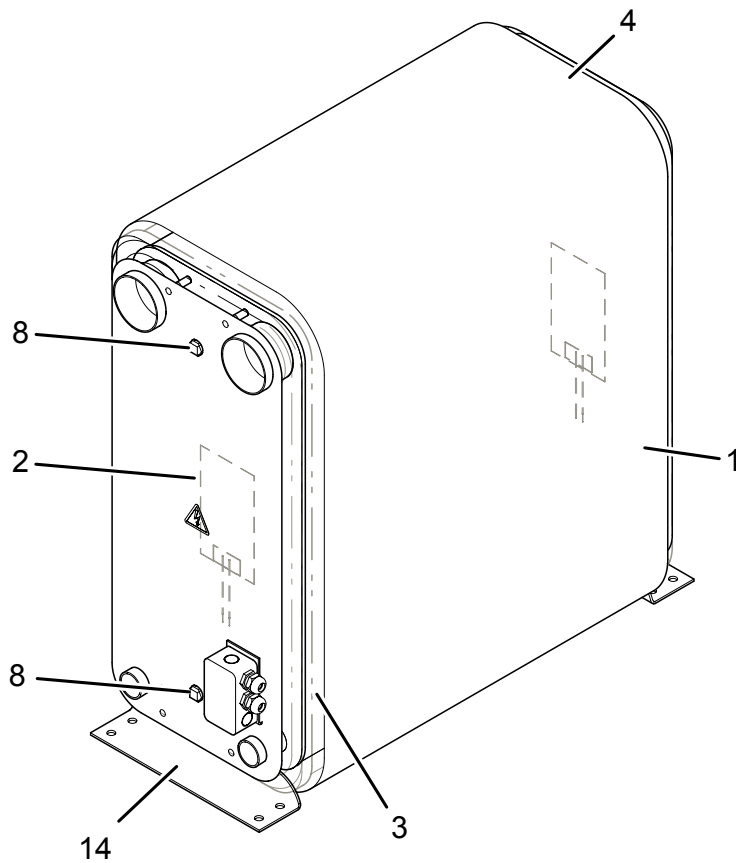
LD16775E

FIGURE 5 - SYSTEM PIPING (YLAA0091 - YLAA0120) (CONT'D)

## COOLER

**TABLE 6 - COOLER, INSULATED (YLAA0070 - YLAA0120)**

ITEM	DESCRIPTION	MODEL	PART NUMBER	SAP NUMBER	QUANTITY	FIGURE
<b>1</b>	Heat Exchanger 102 Plates	YLAA0070-YLAA0120	026-46883-102	817281	1	6
	Heat Exchanger 126 Plates	YLAA0080	026-46883-126	817282		
	Heat Exchanger 166 Plates	YLAA0090, YLAA0091, YLAA0100, YLAA0101, & YLAA0115	026-46883-166	817283		
	Heat Exchanger 250 Plates	YLAA0120	026-46883-250	817285		
<b>2</b>	Heater 120 Volts, 70 Watts	YLAA0070-YLAA0120	025-44967-000	817160	2	6
<b>3</b>	Insulated Evaporator Front 1st Layer	YLAA0070-YLAA0120	092-07709-001	817342	1	6
<b>4</b>	Insulated Evaporator Back 1st Layer	YLAA0070-YLAA0120	092-07709-002	817343	1	6
<b>8</b>	Well Thermo	YLAA0070-YLAA0120	026-32328-001	740780	2	6
<b>14</b>	Bracket	YLAA0070-YLAA0120	092-07700-000	817336	2	6



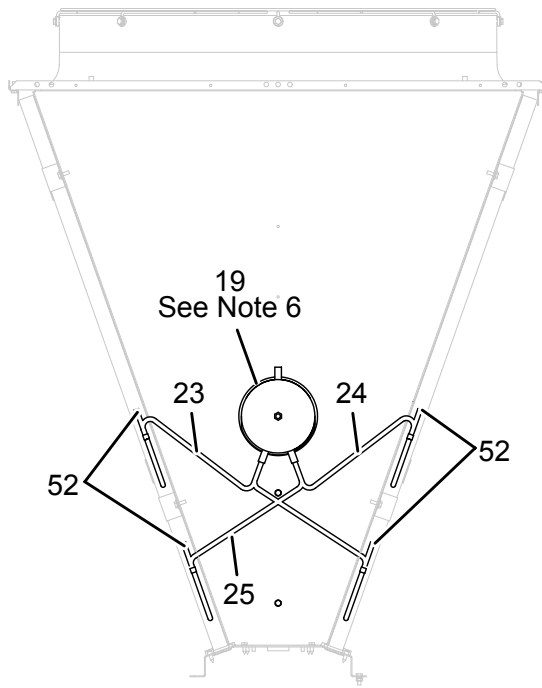
LD16778

**FIGURE 6 - COOLER, INSULATED (YLAA0070 - YLAA0120)**

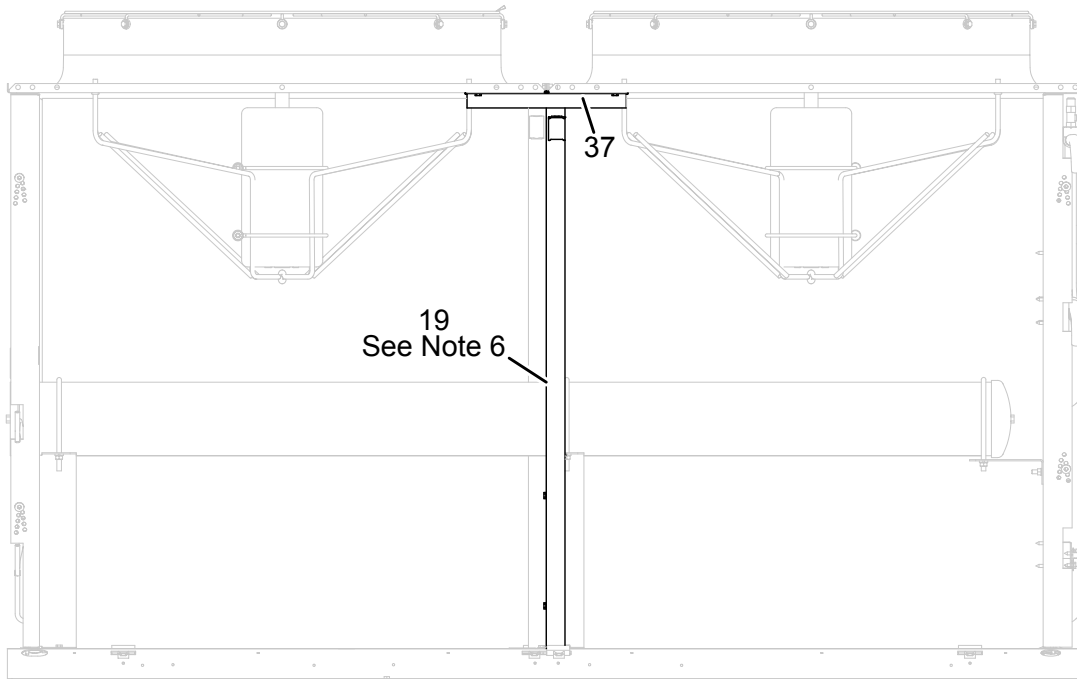
## CONDENSER COILS WITH MODULE ASSEMBLY

**TABLE 7 - CONDENSER COILS**

ITEM	DESCRIPTION	MODEL	PART NUMBER	SAP	FIGURE
1	Support Lower Coil	YLAA0070 - YLAA0120	075-77929-001	394624	7
2	Coil Microchannel	YLAA0070 - YLAA0120	026-45535-000	741223	7
3	Vee Panel Header End	YLAA0070 - YLAA0120	075-77929-002	394625	7
4	Vee Panel Receiver End	YLAA0070 - YLAA0120	075-77929-003	394626	7
4a	Vee Panel Receiver End	YLAA0091 - YLAA0120	075-77929-008	440150	7
5	Vee Panel Microchannel	YLAA0070 - YLAA0120	075-77929-004	394627	7
5a	Vee Panel Microchannel	YLAA0091, YLAA0115-YLAA0120	075-74862-005	404174	7
5b	Vee Panel Microchannel	YLAA0100	075-76114-000	446951	7
6	Clamp Header	YLAA0070 - YLAA0120	075-74862-007	407226	7
7	Cable Tie Holder	YLAA0070 - YLAA0120	028-15993-000	742178	7
8	Mount Coil Y-Chassis	YLAA0070 - YLAA0120	028-15820-000	394353	7
9	Header Bushing Microchannel	YLAA0070 - YLAA0120	028-15821-000	742157	7
11	Bracket Receiver Support	YLAA0070 - YLAA0120	075-74862-008	394511	7
12	Bracket Receiver Support	YLAA0070 - YLAA0120	075-77929-005	440145	7
13	Tee	YLAA0070 - YLAA0120	023-04269-000	392000	7
14	Pipe Discharge Microchannel Coil	YLAA0070 - YLAA0120	075-74849-004	394507	7
14a	Pipe Discharge Microchannel Coil	YLAA0091, YLAA0100, YLAA0115 - YLAA0120,	075-74849-015	757461	7
15	Tee	YLAA0070 - YLAA0120	023-02717-000	414153	7
16	Pipe Discharge Microchannel Coil	YLAA0070 - YLAA0120	075-77930-009	758163	7
17	Pipe Discharge Microchannel Coil	YLAA0070 - YLAA0120	075-77930-008	394634	7
19	Gasket Neoprene Roll	YLAA0070 - YLAA0120	028-11838-000	741665	7
20	Pipe Discharge Microchannel Coil	YLAA0070 - YLAA0120	075-77930-010	758164	7
21	Pipe Discharge Microchannel Coil	YLAA0070 - YLAA0120	075-77930-011	758165	7
23	Pipe Coil To Receiver	YLAA0070 - YLAA0120	075-77930-001	394632	7
24	Pipe Coil To Receiver	YLAA0070 - YLAA0120	075-77930-002	404177	7
25	Pipe Coil To Receiver	YLAA0070 - YLAA0120	075-77930-003	394633	7
37	Bracket Coil	YLAA0070 - YLAA0120	075-74840-021	394506	7
41	Panel Top Cover	YLAA0100	075-76115-000	446952	7
42	Panel Bottom 1 Fan	YLAA0100	075-75915-000	394560	7
43	Support Pipe	YLAA0070 - YLAA0120	075-77929-006	394629	7
44	Support Pipe	YLAA0070 - YLAA0120	075-77929-007	394630	7
45	Clamp Tube	YLAA0070 - YLAA0120	066-88928-000	372793	7
45a	Clamp Tube	YLAA0091 - YLAA0120	075-50979-118	556314	7
46	Clamp Tube	YLAA0070 - YLAA0120	075-50979-078	518760	7
50	Bush Snap	YLAA0070 - YLAA0120	025-13418-000	737359	7
51	Support Pipe	YLAA0070 - YLAA0120	075-77929-010	430478	7
52	Tube Cu LA	YLAA0070 - YLAA0120	075-07046-001	749765	7



BACK

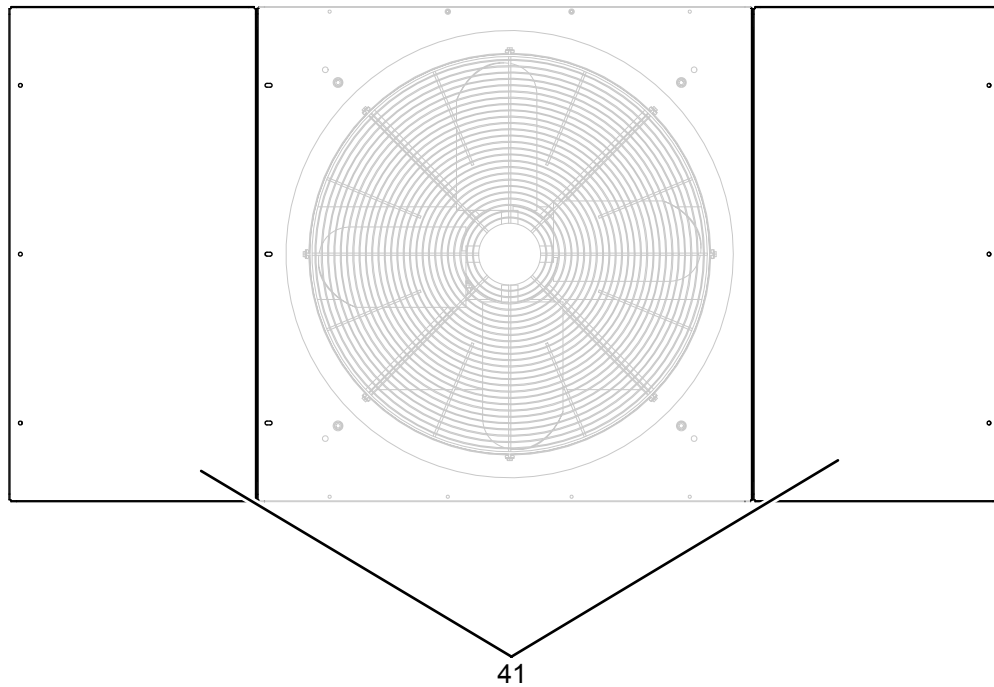
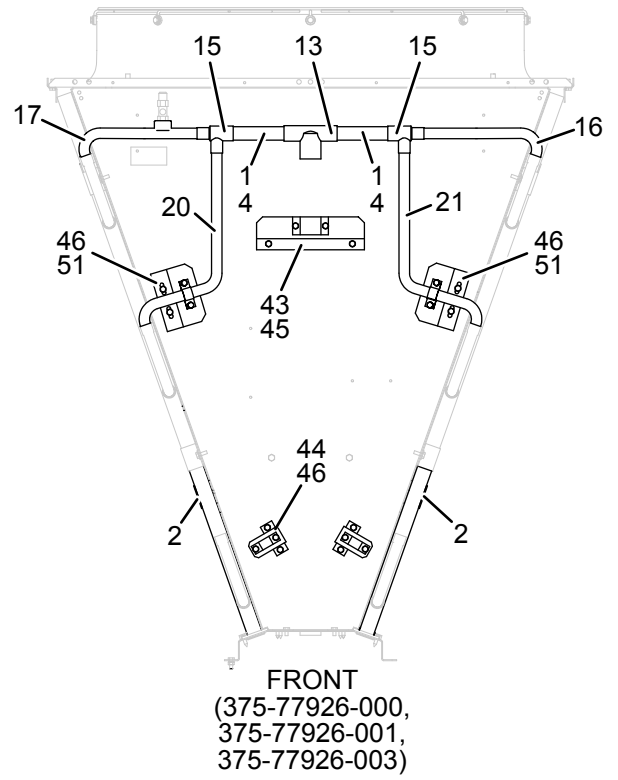
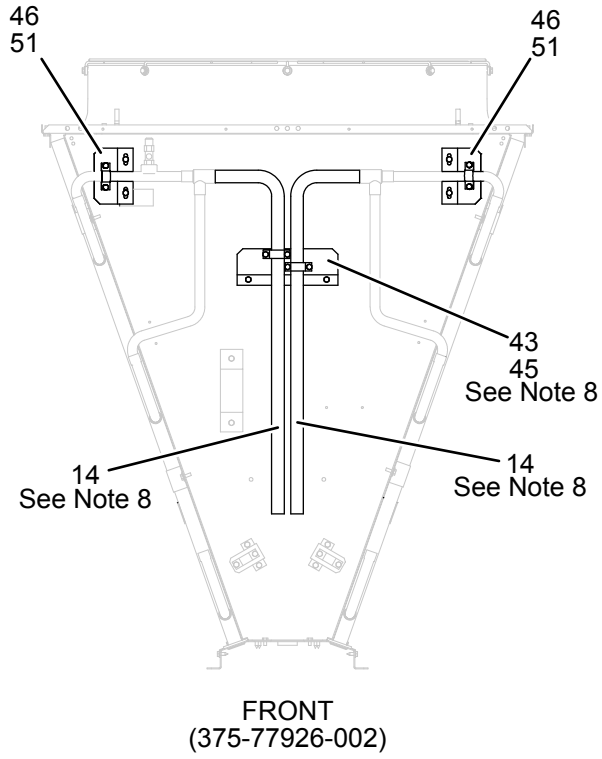


Notes:

1. Process per m-166.
2. A. Braze all copper to copper joints per mos 15-2-16 (Item 39)  
 B. Braze all copper to steel joints per mos 15-2-12 (Item 40)
3. Use dry nitrogen inside tubing and joins for all brazing. Never immerse joint in water for cooling,
4. Add strip gasket along side flanges of front and back V-Panels directly in line with the center of the coil tube before putting coil assemblies in place.
5. Add a double thickness of gasket (Item 19) along entire top edge of top coil face on both coils to prevent air flow.
6. Wrap item 19 all the way around the receiver, up against the V-Panel, to block air flow.
7. Add a double thickness of gasket (Item 19) along entire top edge of top coil face on one coil to prevent air flow.
8. Do not align the pipes with the clamps or bracket. This is to offset the shop tolerance buildup.

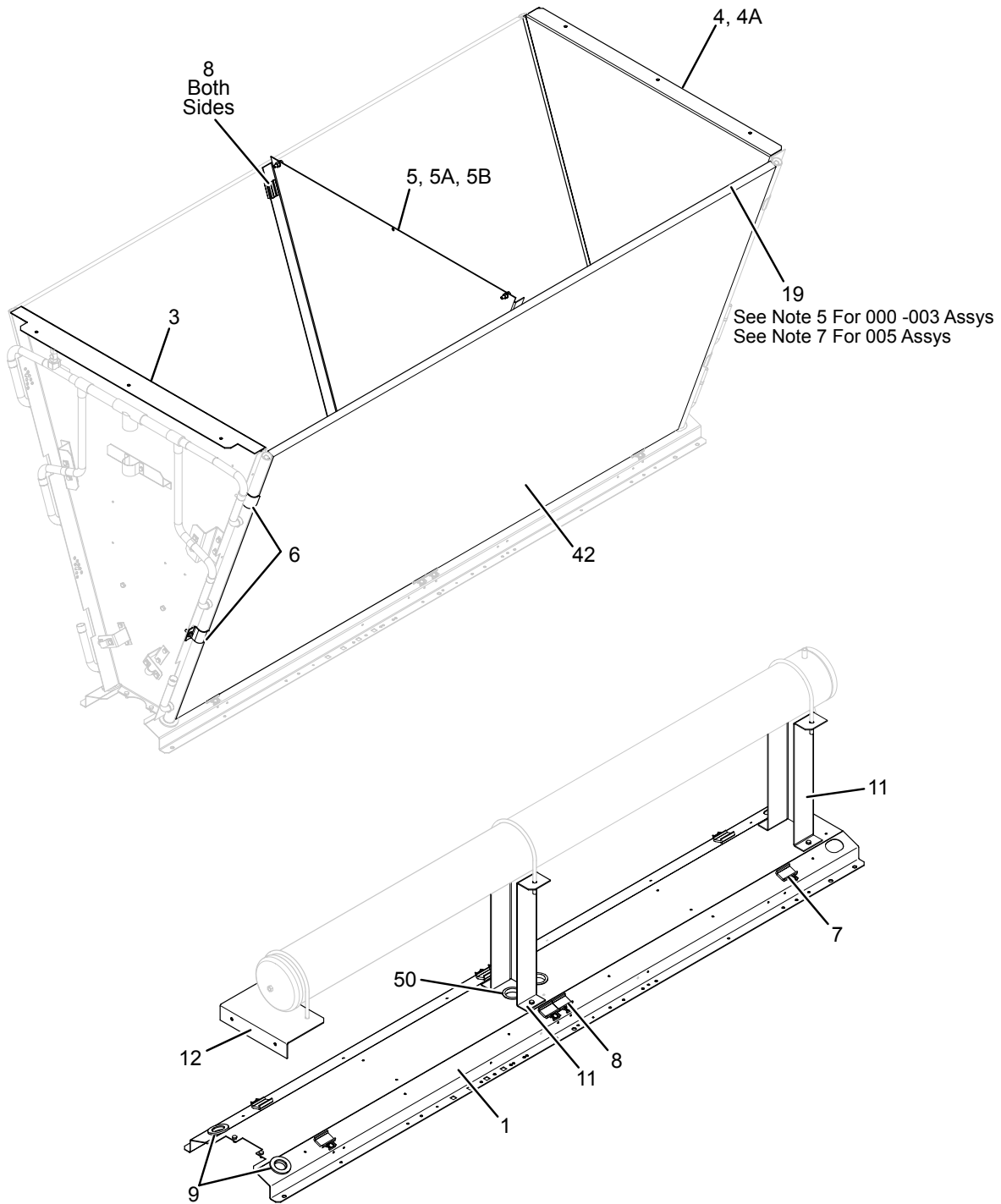
LD16779

**FIGURE 7 - CONDENSER COILS**



LD16779a

**FIGURE 7 - CONDENSER COILS (CONT'D)**



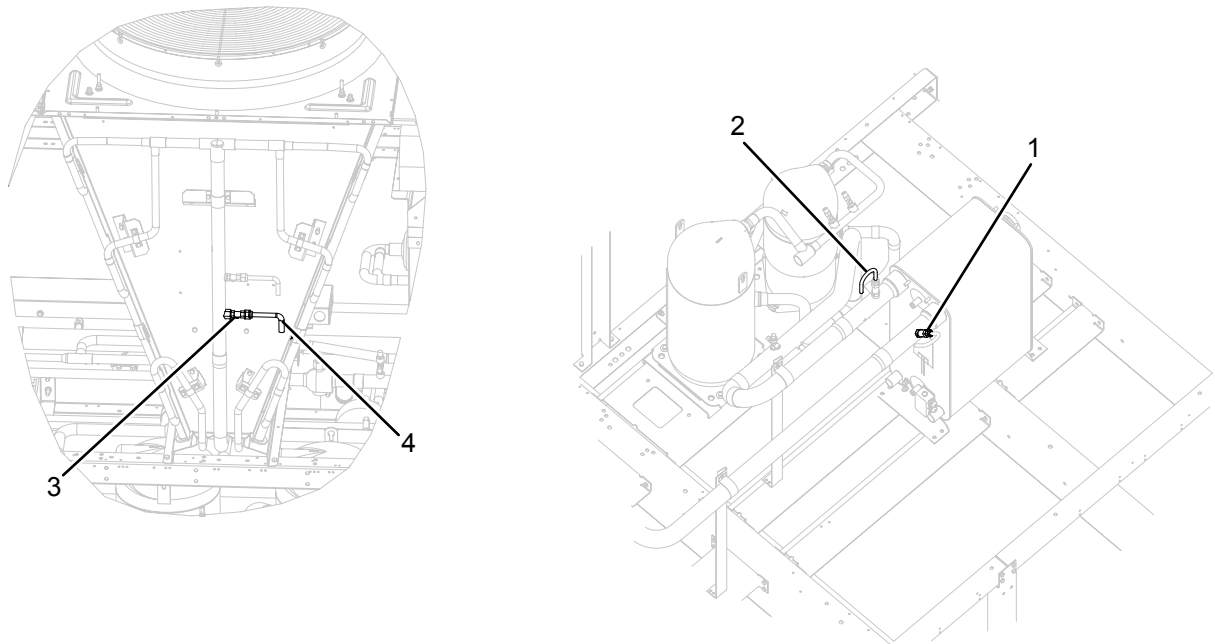
LD16779b

**FIGURE 7 - CONDENSER COILS (CONT'D)**

## RELIEF SAFETY DEVICES

**TABLE 8 - RELIEF SAFETY DEVICES YLAA0070 - YLAA0120**

ITEM	DESCRIPTION	PART NUMBER	SAP	FIGURE
1	Valve Relief (450 PSIG)	022-11879-000	731443	8
2	Tube Relief Valve Kit	375-37978-000	410839	8
	Tube Relief Valve	075-37977-000	410932	
	FLA Short Forged 45 Nut	021-05663-000	115672	
3	Valve Relief (43.1 lbs. of Air/Min)	022-10682-001	394324	8
4	Tube Relief Valve DXST Kit	375-37975-000	410931	8
	Tube Relief Valve	075-37974-000	410933	
	FLA Short Forged 45 Nut	021-05663-000	115672	



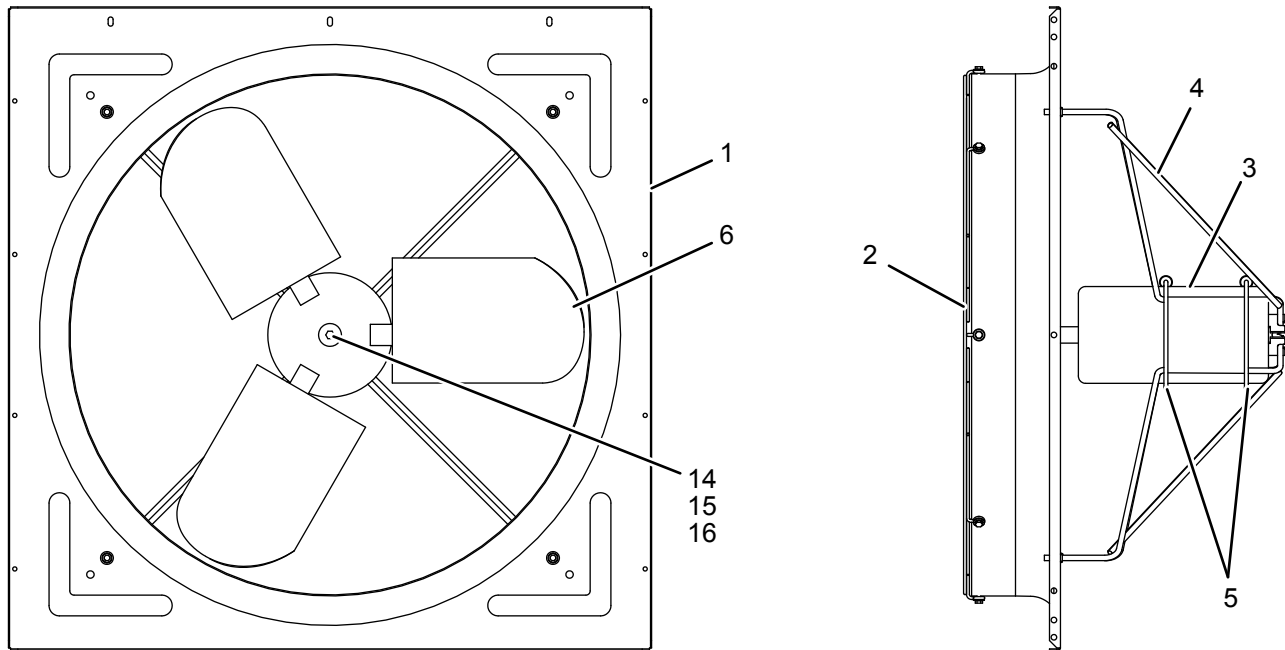
LD16780

**FIGURE 8 - RELIEF SAFETY DEVICES (YLAA0070 - YLAA0120)**

## FAN DECK ASSEMBLY AND FAN WIRING SET

**TABLE 9 - FAN COMPONENTS, STANDARD LOW SOUND AND ULTRA QUIET FANS**

ITEM	VOLTAGE (PIN 11 & 12)	DESCRIPTION	PART NUMBER		QUANTITY	FIGURE
			STD LOW SOUND	ULTRA QUIET FAN		
1	All	Orifice, Flanged	026-45682-000	026-45682-000	1	9
2	All	Guard, Fan	026-46008-000	026-46008-000	1	9
3	17	Motor, Fan TEAO, 2 HP 6 Pole	024-36873-103	-----	1	9
	28	Motor, Fan TEAO, 2 HP 6 Pole	024-36873-106	-----		
	17 and 28	Motor, Fan TEAO, 8 Pole	-----	024-34980-102		
	40	Motor, Fan TEAO, 2 HP 6 Pole	024-36873-104	-----		
		Motor, Fan TEAO, 8 Pole	-----	024-34980-105		
	46	Motor, Fan TEAO, 2 HP 6 Pole	024-36873-107	-----		
		Motor, Fan TEAO, 8 Pole	-----	024-34980-101		
	58	Motor, Fan TEAO, 2 HP 6 Pole	024-36873-102	-----		
Motor, Fan TEAO, 8 Pole		-----	024-34980-104			
4	All	Support, Fan Motor	026-46735-000	-----	1	9
5	All	Support, Ring	026-36367-000	-----	1	9
6	All	Fan Impeller, 900mm	026-41594-000	-----	1	9
			-----	026-41942-000		
14	All	Screw, Cap Hex Hd, M8 X 1.25-6g	021-18494-000	-----	1	9
15	All	Spacer, Fan Motor	075-29007-000	-----	1	9
16	17	Spacer, Fan Motor	075-40484-000	-----	1	9



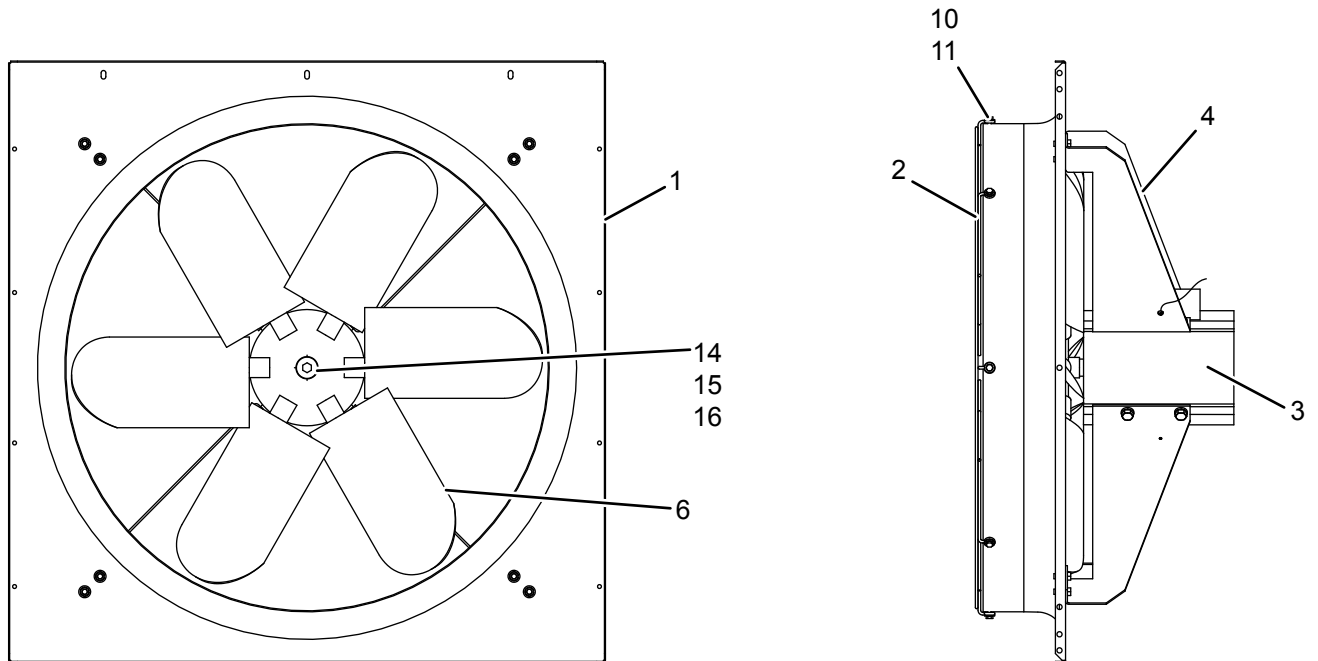
View shown with fan guard removed for clarity

LD15897

**FIGURE 9 - FAN COMPONENTS, STANDARD LOW SOUND AND ULTRA QUIET FANS**

**TABLE 10 - FAN COMPONENTS, HIGH AIR FLOW FANS**

ITEM	VOLTAGE (PIN 11 & 12)	DESCRIPTION	PART NUMBER	QUANTITY	FIGURE
1	40, 46	Orifice	026-45682-000	1	10
2	40, 46	Guard	026-46008-000	1	10
3	40	Motor Fan, TEAO, 3 Hp	024-36874-002	1	10
	46	Motor, Fan, TEAO, 3 Hp 6 Pole	024-36874-003		
4	40, 46	Bracket, Fan Support	075-67014-000	4	10
6	40, 46	Fan Impeller, 900mm	026-45538-000	1	10
10	40, 46	Screw, Cap Hex, 1/4" X 3/4" Lg	021-31337-000	8	10
11	40, 46	Washer, Plain, 5/16" ID X 3/4" OD	021-19314-000	8	10
14	40	Spacer, Fan Motor	075-40485-000	1	10
15	40, 46	Spacer, Fan Motor	075-67017-000	1	10
16	40, 46	Screw, Cap Hex Hd, M10 1.5-6h	021-17791-000	1	10



View shown with fan guard removed for clarity

LD15899

**FIGURE 10 - FAN COMPONENTS, HIGH AIR FLOW FANS**

## SYSTEM WIRING

**TABLE 11 - SENSOR WIRING PIN 32 = X (YLAA0070 - YLAA0090, YLAA0100 & YLAA0101)**

FUNCTION	BOARD LOCATION	CABLE ITEM NUMBER	CABLE NUMBER	WIRE COLOR	PLUG PIN NUMBER	HARNESS ASSEMBLY PART NUMBER	
System #1 Suction Pressure	Micro P7	100	4	Red	5	575-72382-345**	
				White	10		
				Black	9		
				Drain	1		
The Discharge Pressure & Low Ambient Options Share These Pins					Red	6	
					White	11	
					Black	7	
					Drain	2	
Leaving Water Temperature	Micro P6	105	1	Black	7	575-72382-347**	
				Red	4		
				Drain	1		
Enter Water Temperature		106	3		Black	8	575-72382-348**
					Red	5	
					Drain	2	
Outside Air Temperature		104	2		Black	9	575-72382-311**
					Red	6	
					Drain	3	
System #2 Suction Pressure		Micro P9	101	5	Red	5	575-72382-346**
					White	10	
					Black	9	
	Drain				1		
The Discharge Pressure & Low Ambient Options Share These Pins					Red	6	
					White	11	
					Black	7	
					Drain	2	

**NOTE:** \*\*Refer to *Table 24* for further breakdown of Wiring Harness.

**TABLE 12 - SENSOR WIRING PIN 32 = X (YLAA0091, YLAA0115 - YLAA0120)**

FUNCTION	BOARD LOCATION	CABLE ITEM NUMBER	CABLE NUMBER	WIRE COLOR	PLUG PIN NUMBER	HARNESS ASSEMBLY PART NUMBER	
System #1 Suction Pressure	Micro P7	100	4	Red	5	575-72382-341**	
				White	10		
				Black	9		
				Drain	1		
The Discharge Pressure & Low Ambient Options Share These Pins					Red	6	
					White	11	
					Black	7	
					Drain	2	
Leaving Water Temperature	Micro P6	105	1	Black	7	575-72382-343**	
				Red	4		
				Drain	1		
Enter Water Temperature		106	3		Black	8	575-72382-344**
					Red	5	
					Drain	2	
Outside Air Temperature		104	2		Black	9	575-72382-304**
					Red	6	
					Drain	3	
System #2 Suction Pressure		Micro P9	101	5	Red	5	575-72382-342**
					White	10	
					Black	9	
	Drain				1		
The Discharge Pressure & Low Ambient Options Share These Pins					Red	6	
					White	11	
					Black	7	
					Drain	2	

**NOTE:** \*\*Refer to Table 24 for further breakdown of Wiring Harness.

**TABLE 13 - 1-BDP DISCHARGE PRESSURE WIRING DETAIL PIN 32 = X (YLAA0070 - YLAA0090, YLAA0100 & YLAA0101)**

FUNCTION	PIGTAIL PLUG LOCATION	CABLE ITEM NUMBER	CABLE NUMBER	PLUG PIN NO.	WIRE COLOR	HARNESS ASSEMBLY PART NUMBER
System #1 Discharge Pressure	P16	102	6	1	Red	575-72382-309**
				2	White	
				3	Black	
				4	Drain	

**NOTE:** \*\*Refer to Table 24 for further breakdown of Wiring Harness.

**TABLE 14 - 1-BDP DISCHARGE PRESSURE WIRING DETAIL PIN 32 = X**  
 (YLAA0091, YLAA0115 - YLAA0120)

FUNCTION	PIGTAIL PLUG LOCATION	CABLE ITEM NUMBER	CABLE NUMBER	PLUG PIN NO.	WIRE COLOR	HARNESS ASSEMBLY PART NUMBER
System #1 Discharge Pressure	P16	102	6	1	Red	575-72382-302**
				2	White	
				3	Black	
				4	Drain	

**NOTE:** \*\*Refer to *Table 24* for further breakdown of Wiring Harness.

**TABLE 15 - 2-BDP DISCHARGE PRESSURE WIRING DETAIL PIN 32 = X**  
 (YLAA0070 - YLAA0090, YLAA0100 & YLAA0101)

FUNCTION	PIGTAIL PLUG LOCATION	CABLE ITEM NUMBER	CABLE NUMBER	PLUG PIN NO.	WIRE COLOR	HARNESS ASSEMBLY PART NUMBER
System #2 Discharge Pressure	P18	103	7	1	Red	575-72382-310**
				2	White	
				3	Black	
				4	Drain	

**NOTE:** \*\*Refer to *Table 24* for further breakdown of Wiring Harness.

**TABLE 16 - 2-BDP DISCHARGE PRESSURE WIRING DETAIL PIN 32 = X**  
 (YLAA0091, YLAA0115 - YLAA0120)

FUNCTION	PIGTAIL PLUG LOCATION	CABLE ITEM NUMBER	CABLE NUMBER	PLUG PIN NO.	WIRE COLOR	HARNESS ASSEMBLY PART NUMBER
System #2 Discharge Pressure	P18	103	7	1	Red	575-72382-303**
				2	White	
				3	Black	
				4	Drain	

**NOTE:** \*\*Refer to *Table 24* for further breakdown of Wiring Harness.

**TABLE 17 - SENSOR WIRING PIN 32 = E (YLAA0070 - YLAA0090, YLAA0100 & YLAA0101)**

FUNCTION	BOARD LOCATION	CABLE ITEM NUMBER	CABLE NUMBER	WIRE COLOR	PLUG PIN NUMBER	HARNESS ASSEMBLY PART NUMBER
The Suction Pressure and EEV controller Share These Pins	Micro P7			Red	5	
				White	10	
				Black	9	
				Drain	1	
System #1 Suction Pressure	Micro P7	102	6	Red	6	575-72382-309**
				White	11	
				Black	7	
				Drain	2	
Leaving Water Temperature	Micro P6	105	1	Black	7	575-72382-347**
				Red	4	
				Drain	1	
Enter Water Temperature	Micro P6	106	3	Black	8	575-72382-348**
				Red	5	
				Drain	2	
Outside Air Temperature	Micro P6	104	2	Black	9	575-72382-311**
				Red	6	
				Drain	3	
The Suction Pressure and EEV controller Share These Pins	Micro P9		5	Red	5	
				White	10	
				Black	9	
				Drain	1	
System #2 Suction Pressure	Micro P9	103	7	Red	6	575-72382-310**
				White	11	
				Black	7	
				Drain	2	

**NOTE:** \*\*Refer to *Table 24* for further breakdown of Wiring Harness.

**TABLE 18 - SENSOR WIRING PIN 32 = E (YLAA0091, YLAA0115 - YLAA0120)**

FUNCTION	BOARD LOCATION	CABLE ITEM NUMBER	CABLE NUMBER	WIRE COLOR	PLUG PIN NUMBER	HARNESS ASSEMBLY PART NUMBER
The Suction Pressure and EEV controller Share These Pins	Micro P7			Red	5	
				White	10	
				Black	9	
				Drain	1	
System #1 Suction Pressure		102	6	Red	6	575-72382-302**
				White	11	
				Black	7	
				Drain	2	
Leaving Water Temperature		105	1	Black	7	575-72382-343**
				Red	4	
				Drain	1	
Enter Water Temperature	Micro P6	106	3	Black	8	575-72382-344**
				Red	5	
				Drain	2	
Outside Air Temperature		104	2	Black	9	575-72382-304**
				Red	6	
				Drain	3	
The Suction Pressure and EEV controller Share These Pins	Micro P9		5	Red	5	
				White	10	
				Black	9	
				Drain	1	
System #2 Suction Pressure		103	7	Red	6	575-72382-303**
				White	11	
				Black	7	
				Drain	2	

**NOTE:** \*\*Refer to Table 24 for further breakdown of Wiring Harness.

**TABLE 19 - 1-BDP SUCTION PRESSURE WIRING DETAIL PIN 32 = E (YLAA0070 - YLAA0090, YLAA0100 & YLAA0101)**

FUNCTION	PIGTAIL PLUG LOCATION	CABLE ITEM NUMBER	CABLE NUMBER	PLUG PIN NO.	WIRE COLOR	HARNESS ASSEMBLY PART NUMBER
System #1 Suction Pressure	P20	100	4	1	Red	575-72382-345**
				2	White	
				3	Black	
				4	Drain	

**NOTE:** \*\*Refer to Table 24 for further breakdown of Wiring Harness.

**TABLE 20 - 1-BDP SUCTION PRESSURE WIRING DETAIL PIN 32 = E**  
 (YLAA0091, YLAA0115 - YLAA0120)

FUNCTION	PIGTAIL PLUG LOCATION	CABLE ITEM NUMBER	CABLE NUMBER	PLUG PIN NO.	WIRE COLOR	HARNESS ASSEMBLY PART NUMBER
System #1 Suction Pressure	P20	100	4	1	Red	575-72382-341**
				2	White	
				3	Black	
				4	Drain	

**NOTE:** \*\*Refer to *Table 24* for further breakdown of Wiring Harness.

**TABLE 21 - 2-BDP SUCTION PRESSURE WIRING DETAIL PIN 32 = E**  
 (YLAA0070 - YLAA0090, YLAA0100 & YLAA0101)

FUNCTION	PIGTAIL PLUG LOCATION	CABLE ITEM NUMBER	CABLE NUMBER	PLUG PIN NO.	WIRE COLOR	HARNESS ASSEMBLY PART NUMBER
System #2 Suction Pressure	P21	101	5	1	Red	575-72382-346**
				2	White	
				3	Black	
				4	Drain	

**NOTE:** \*\*Refer to *Table 24* for further breakdown of Wiring Harness.

**TABLE 22 - 2-BDP SUCTION PRESSURE WIRING DETAIL PIN 32 = E**  
 (YLAA0091, YLAA0115 - YLAA0120)

FUNCTION	PIGTAIL PLUG LOCATION	CABLE ITEM NUMBER	CABLE NUMBER	PLUG PIN NO.	WIRE COLOR	HARNESS ASSEMBLY PART NUMBER
System #2 Suction Pressure	P21	101	5	1	Red	575-72382-342**
				2	White	
				3	Black	
				4	Drain	

**NOTE:** \*\*Refer to *Table 24* for further breakdown of Wiring Harness.

**TABLE 23 - SYSTEM WIRING**

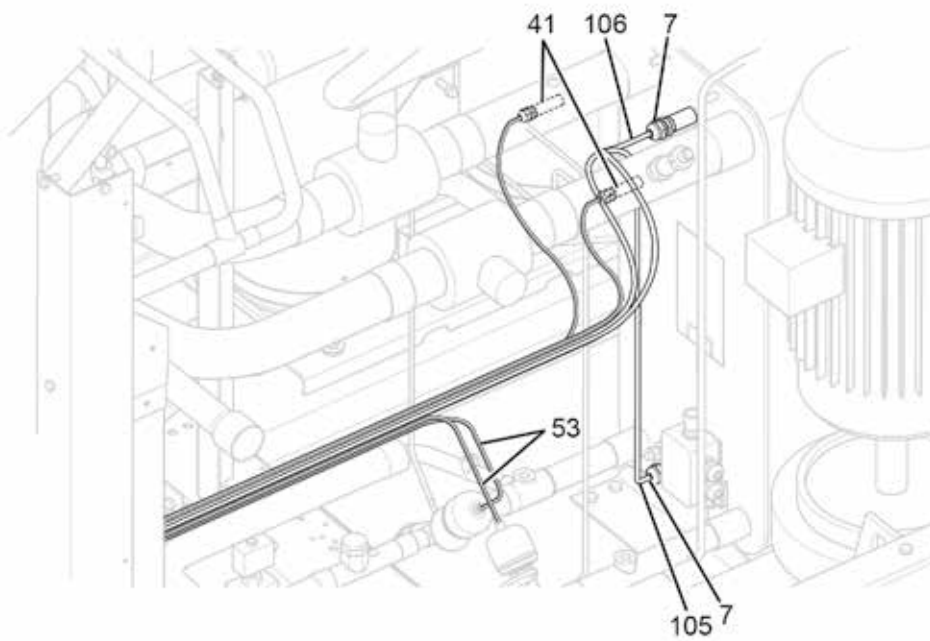
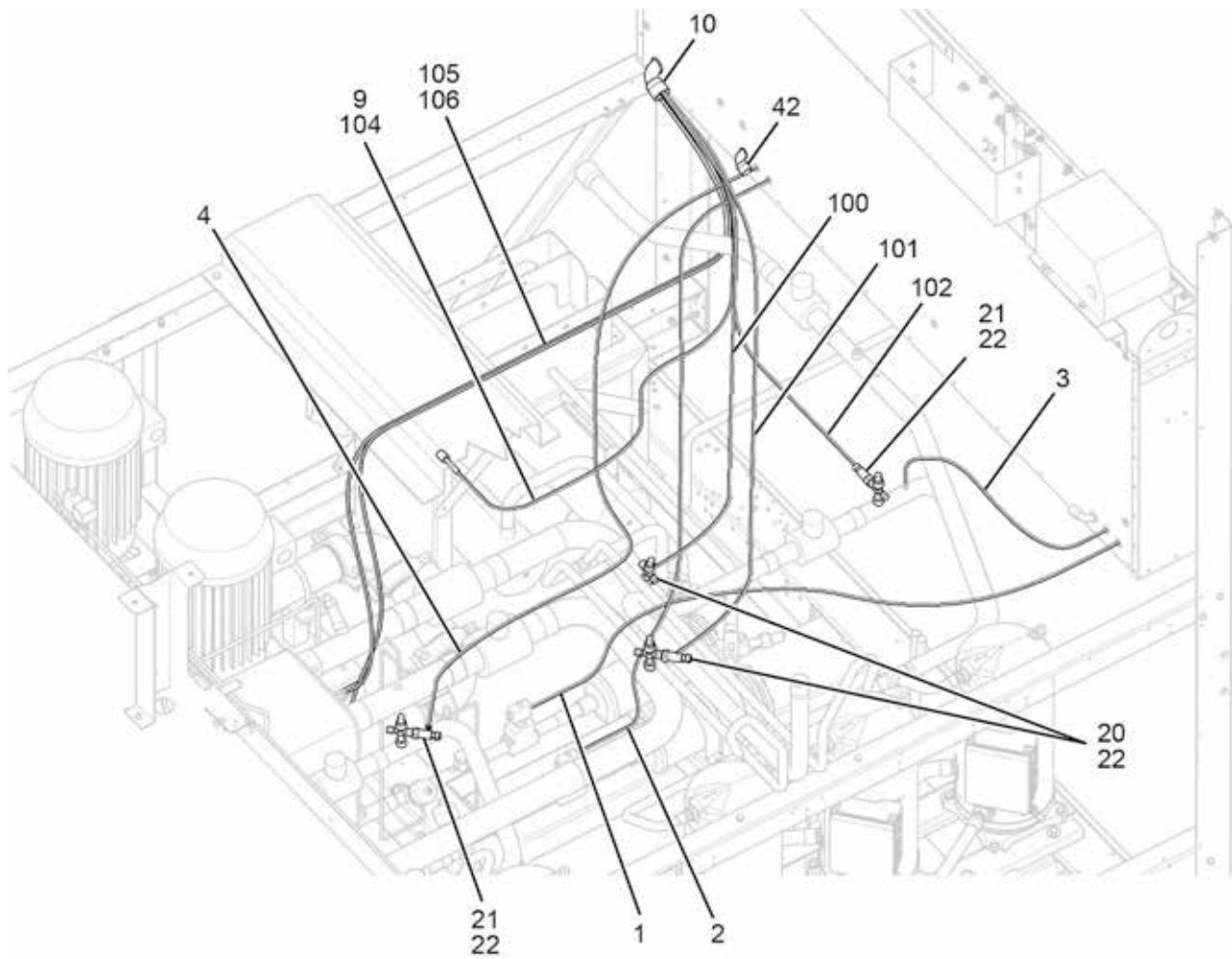
ITEM	DESCRIPTION	MODEL	PART NUMBER	SAP	FIGURE
1	Wiring Harness (W/Din Plug)	YLAA0070 - YLAA0090, YLAA0100 & YLAA0101	575-72382-293**	813877	11
		YLAA0091, YLAA0115 - YLAA0120	575-72382-291**	855337	11
2	Wiring Harness (W/Din Plug)	YLAA0070 - YLAA0090, YLAA0100 & YLAA0101	575-72382-294**	813878	11
		YLAA0091, YLAA0115 - YLAA0120	575-72382-292**	855338	11
3	High Pressure Cut-Out	YLAA0070 - YLAA0090, YLAA0100 & YLAA0101	575-72382-209**	808289	11
		YLAA0091, YLAA0115 - YLAA0120	575-72382-202**	808282	
4	High Pressure Cut-Out	YLAA0070 - YLAA0090, YLAA0100 & YLAA0101	575-72382-210**	808290	11
		YLAA0091, YLAA0115 - YLAA0120	575-72382-203**	808283	
6	Kit, Cable	YLAA0070 - YLAA0120	392-08923-002	813874	11
7	Sensor Temp 3000 OHMS	YLAA0070 - YLAA0120	025-47671-000	5167564	11
9	Accessory, Outside Air Temperature Sensor Kit	YLAA0070 - YLAA0120	025-47688-000	5167777	11
	Contact Tab Mark 070 Series	YLAA0070 - YLAA0120	025-28949-000	738245	
	Sensor Temperature Ambient	YLAA0070 - YLAA0120	025-47688-000	5167777	
	Connector Cap	YLAA0070 - YLAA0120	025-28948-000	427370	
	Collar Rubber, Gray	YLAA0070 - YLAA0120	025-28957-000	117435	
10	Connector, Conduit Flex Angle	YLAA0070 - YLAA0120	025-31318-000	394338	11
11	Support Power Harnesses	YLAA0070 - YLAA0120	075-74412-000	440153	*
18	Wiring Harness System 1	YLAA0070 - YLAA0120	575-72382-314**	808353	*
19	HSG Connector Plug Mini 9	YLAA0070 - YLAA0120	025-28383-000	737917	*
20	Transducer PSIS 0-400	YLAA0070 - YLAA0120	025-41756-002	392054	11
21	Transducer PSIS 0-650	YLAA0070 - YLAA0120	025-41756-003	392055	11
22	Adapter Pipe 1/8	YLAA0070 - YLAA0120	023-15719-000	410834	11
27	Plate Electronic Hydronic Kit	YLAA0070 - YLAA0120	075-75761-001	757697	*
33	Plate Customer Wiring	YLAA0070 - YLAA0120	075-74909-004	757513	*
35	Wiring Harness System 2	YLAA0070 - YLAA0120	575-72382-315**	808354	11
	System #2 Pigtail (P9 Suction EEV)	YLAA0070 - YLAA0120 (Pin 32 = E, Pin 20 = H or S)	575-72382-333**	808369	
	System #2 Pigtail (EEV/ Low Ambient)	YLAA0070 - YLAA0120 (Pin 32 = E, Pin 20 = A or B)	575-72382-331**	808367	
36	HSG Connector Plug Mini 4	YLAA0070 - YLAA0120	025-28959-000	738246	*
40	Plug, Dome	YLAA0070 - YLAA0120	028-15793-000	742149	*
41	Surface And Duct Sensor	YLAA0070 - YLAA0120 (Pin 32 = E)	025-42433-000	516912	11
42	Connector, Conduit Flex Angle	YLAA0070 - YLAA0120	025-31316-000	435091	11

**TABLE 23 - SYSTEM WIRING (CONT'D)**

ITEM	DESCRIPTION	MODEL	PART NUMBER	SAP	FIGURE
53	Cable and Connector Assy	YLAA0070 - YLAA0120 (Pin 32 = E)	025-44664-002	899838	11
	Wiring Harness M12 - 3 Meter	YLAA0091, YLAA0115-YLAAA0120 (Pin 32 = E, Pin 20 = H or S)	575-72382-338**	826199	11
100	Wiring Harness 3 Conductor	YLAA0070 - YLAA0090, YLAA0100 & YLAA0101	575-72382-345**	813879	11
		YLAA0091, YLAA0115 - YLAA0120	575-72382-341**	855339	
101	Wiring Harness 3 Conductor	YLAA0070 - YLAA0090, YLAA0100 & YLAA0101	575-72382-346**	813880	11
		YLAA0091, YLAA0115 - YLAA0120	575-72382-342**	855340	
102	Wiring Harness 3 Conductor	YLAA0070 - YLAA0090, YLAA0100 & YLAA0101	575-72382-309**	808348	11
		YLAA0091, YLAA0115 - YLAA0120	575-72382-302**	808341	
103	Wiring Harness 3 Conductor	YLAA0070 - YLAA0090, YLAA0100 & YLAA0101	575-72382-310**	808349	11
		YLAA0091, YLAA0115 - YLAA0120	575-72382-303**	808342	
104	Wiring Harness 2 Conductor	YLAA0070 - YLAA0090, YLAA0100 & YLAA0101	575-72382-311**	808350	11
		YLAA0091, YLAA0115 - YLAA0120	575-72382-304**	808343	
105	Wiring Harness 2 Conductor	YLAA0070 - YLAA0090, YLAA0100 & YLAA0101	575-72382-347**	816571	11
		YLAA0091, YLAA0115 - YLAA0120	575-72382-343**	855341	
106	Wiring Harness 2 Conductor	YLAA0070 - YLAA0090, YLAA0100 & YLAA0101	575-72382-348**	816572	11
		YLAA0091, YLAA0115 - YLAA0120	575-72382-344**	855342	

**NOTE:** Items with an \* are NOT represented.

\*\*Refer to *Table 24* for further breakdown of Wiring Harness.



LD16728

FIGURE 11 - SYSTEM WIRING

**TABLE 24 - SYSTEM WIRING HARNESS DETAILS**

ITEM	DESCRIPTION	PART NUMBER	SAP	QUANTITY
1	<b>System #1 Suction Pressure Harness (1-BSP)</b> (YLAA0070-0090, 0100 & 0101 PIN 32=E or X)	575-72382-345	813879	-
	Mini-Univ. Socket (P7)	025-28386-000	737925	4
	3 Conductor Shielded Wire	025-30463-003	738503	83"
	Terminal, Female (Sensor End)	025-41812-000	920272	3
	Plug, Connector (Sensor End)	025-41761-000	920269	1
1	<b>System #1 Suction Pressure Harness (1-BDP)</b> (YLAA0070-0090, 0100 & 0101 PIN 32=E)	575-72382-309	808348	-
	Mini-Univ. Socket (P7)	025-28386-000	737925	4
	3 Conductor Shielded Wire	025-30463-003	738503	95"
	Terminal, Female (Sensor End)	025-41812-000	920272	3
	Plug, Connector (Sensor End)	025-41761-000	920269	1
1	<b>System #1 Suction Pressure Harness (1-BSP)</b> (YLAA0091, 0115-0120 PIN 32=E or X)	575-72382-341	855339	-
	Mini-Univ. Socket (P7)	025-28386-000	737925	4
	3 Conductor Shielded Wire	025-30463-003	738503	75"
	Terminal, Female (Sensor End)	025-41812-000	920272	3
	Plug, Connector (Sensor End)	025-41761-000	920269	1
1	<b>System #1 Suction Pressure Harness (1-BDP)</b> (YLAA0091, 0115-0120 PIN 32=E)	575-72382-302	808341	-
	Mini-Univ. Socket (P7)	025-28386-000	737925	4
	3 Conductor Shielded Wire	025-30463-003	738503	120"
	Terminal, Female (Sensor End)	025-41812-000	920272	3
	Plug, Connector (Sensor End)	025-41761-000	920269	1
2	<b>Leaving Water Temperature Harness (BLCT)</b> (YLAA0070-0090, 0100 & 0101 PIN 32=E or X)	575-72382-347	816571	-
	Mini-Univ. Socket (P6)	025-28386-000	737925	3
	2 Conductor Shielded Wire	025-30463-002	738502	125"
	Collar (Sensor End)	025-28950-000	65212	2
	Contact Receptacle (Sensor End)	025-28952-000	260	2
	Plug, Connector (Sensor End)	025-28951-000	62724	1
2	<b>Leaving Water Temperature Harness (1-BDP)</b> (YLAA0070-0090, 0100 & 0101 PIN 32=E)	575-72382-309	855341	-
	Mini-Univ. Socket (P7)	025-28386-000	737925	3
	2 Conductor Shielded Wire	025-30463-002	738502	125"
	Collar (Sensor End)	025-28950-000	65212	2
	Contact Receptacle (Sensor End)	025-28952-000	260	2
	Plug, Connector (Sensor End)	025-28951-000	62724	1
2	<b>Leaving Water Temperature Harness (BLCT)</b> (YLAA0091, 0115-0120 PIN 32=E or X)	575-72382-343	855341	-
	Mini-Univ. Socket (P6)	025-28386-000	737925	3
	2 Conductor Shielded Wire	025-30463-002	738502	141"
	Collar (Sensor End)	025-28950-000	65212	2
	Contact Receptacle (Sensor End)	025-28952-000	260	2
	Plug, Connector (Sensor End)	025-28951-000	62724	1

**TABLE 24 - SYSTEM WIRING HARNESS DETAILS (CONT'D)**

ITEM	DESCRIPTION	PART NUMBER	SAP	QUANTITY
<b>3</b>	<b>Entering Water Temperature Harness (BECT)</b> (YLAA0070-0090, 0100 & 0101 PIN 32=E or X)	575-72382-348	816572	-
	Mini-Univ. Socket (P6)	025-28386-000	737925	3
	2 Conductor Shielded Wire	025-30463-002	738502	115"
	Collar (Sensor End)	025-28950-000	65212	2
	Contact Receptacle (Sensor End)	025-28952-000	260	2
	Plug, Connector (Sensor End)	025-28951-000	62724	1
<b>3</b>	<b>Entering Water Temperature Harness (BECT)</b> (YLAA0091, 0115-0120 PIN 32=E or X)	575-72382-344	855342	-
	Mini-Univ. Socket (P6)	025-28386-000	737925	3
	2 Conductor Shielded Wire	025-30463-002	738502	118"
	Collar (Sensor End)	025-28950-000	65212	2
	Contact Receptacle (Sensor End)	025-28952-000	260	2
	Plug, Connector (Sensor End)	025-28951-000	62724	1
<b>4</b>	<b>Outside Air Temperature Harness (BAMB)</b> (YLAA0070-0090, 0100 & 0101 PIN 32=E or X)	575-72382-311	808350	-
	Mini-Univ. Socket (P6)	025-28386-000	737925	3
	2 Conductor Shielded Wire	025-30463-002	738502	135"
	Collar (Sensor End)	025-28950-000	65212	2
	Contact Receptacle (Sensor End)	025-28952-000	260	2
	Plug, Connector (Sensor End)	025-28951-000	62724	1
<b>4</b>	<b>Outside Air Temperature Harness (BAMB)</b> (YLAA0091, 0115-0120 PIN 32=E or X)	575-72382-304	808343	-
	Mini-Univ. Socket (P6)	025-28386-000	737925	3
	2 Conductor Shielded Wire	025-30463-002	738502	140"
	Collar (Sensor End)	025-28950-000	65212	2
	Contact Receptacle (Sensor End)	025-28952-000	260	2
	Plug, Connector (Sensor End)	025-28951-000	62724	1
<b>5</b>	<b>System #2 Suction Pressure Harness (2-BSP)</b> (YLAA0070-0090, 0100 & 0101 PIN 32=E or X)	575-72382-346	813880	-
	Mini-Univ. Socket (P9)	025-28386-000	737925	4
	3 Conductor Shielded Wire	025-30463-003	738503	99"
	Terminal, Female (Sensor End)	025-41812-000	920272	3
	Plug, Connector (Sensor End)	025-41761-000	920269	1
<b>5</b>	<b>System #2 Suction Pressure Harness (2-BDP)</b> (YLAA0070-0090, 0100 & 0101 PIN 32=E)	575-72382-310	808349	-
	Mini-Univ. Socket (P9)	025-28386-000	737925	4
	3 Conductor Shielded Wire	025-30463-003	738503	155"
	Terminal, Female (Sensor End)	025-41812-000	920272	3
	Plug, Connector (Sensor End)	025-41761-000	920269	1

**TABLE 24 - SYSTEM WIRING HARNESS DETAILS (CONT'D)**

ITEM	DESCRIPTION	PART NUMBER	SAP	QUANTITY
5	<b>System #2 Suction Pressure Harness (2-BSP)</b> (YLAA0091, 0115-0120 PIN 32=E or X)	575-72382-342	855340	-
	Mini-Univ. Socket (P9)	025-28386-000	737925	4
	3 Conductor Shielded Wire	025-30463-003	738503	96"
	Terminal, Female (Sensor End)	025-41812-000	920272	3
	Plug, Connector (Sensor End)	025-41761-000	920269	1
5	<b>System #2 Suction Pressure Harness (2-BDP)</b> (YLAA0091, 0115-0120 PIN 32=E)	575-72382-303	808342	-
	Mini-Univ. Socket (P9)	025-28386-000	737925	4
	3 Conductor Shielded Wire	025-30463-003	738503	160"
	Terminal, Female (Sensor End)	025-41812-000	920272	3
	Plug, Connector (Sensor End)	025-41761-000	920269	1
6	<b>System #1 Discharge Pressure Harness (1-BDP)</b> (YLAA0070-0090, 0100 & 0101 PIN 32=X)	575-72382-309	808348	-
	Mini-Univ. Socket (P7)	025-28386-000	737925	4
	3 Conductor Shielded Wire	025-30463-003	738503	96"
	Terminal, Female (Sensor End)	025-41812-000	920272	3
	Plug, Connector (Sensor End)	025-41761-000	920269	1
6	<b>System #1 Discharge Pressure Harness (1-BDP)</b> (YLAA0091, 0115-0120 PIN 32=X)	575-72382-302	808341	-
	Mini-Univ. Socket (P7)	025-28386-000	737925	4
	3 Conductor Shielded Wire	025-30463-003	738503	120"
	Terminal, Female (Sensor End)	025-41812-000	920272	3
	Plug, Connector (Sensor End)	025-41761-000	920269	1
7	<b>System #2 Discharge Pressure Harness (2-BDP)</b> (YLAA0070-0090, 0100 & 0101 PIN 32=X)	575-72382-310	808349	-
	Mini-Univ. Socket (P9)	025-28386-000	737925	4
	3 Conductor Shielded Wire	025-30463-003	738503	155"
	Terminal, Female (Sensor End)	025-41812-000	920272	3
	Plug, Connector (Sensor End)	025-41761-000	920269	1
7	<b>System #2 Discharge Pressure Harness (2-BDP)</b> (YLAA0091, 0115-0120)	575-72382-303	808342	-
	Mini-Univ. Socket (P9)	025-28386-000	737925	4
	3 Conductor Shielded Wire	025-30463-003	738503	160"
	Terminal, Female (Sensor End)	025-41812-000	920272	3
	Plug, Connector (Sensor End)	025-41761-000	920269	1
8	<b>Wiring Harness w/ DIN Plug (1-YLLSV)</b> (YLAA0070-0090, 0100 & 0101)	575-72382-293	813877	-
	Connector, 3/8" 90deg Angle (Power Panel End)	025-31315-000	618164	1
	Conduit, 3/8"	025-31302-000	618155	8'
	Connector, 3/8" Straight (Sensor End)	025-31309-000	117547	1
	Connector, DIN Plug w/ Suppressor (Sensor End)	025-37876-000	117987	1

**TABLE 24 - SYSTEM WIRING HARNESS DETAILS (CONT'D)**

ITEM	DESCRIPTION	PART NUMBER	SAP	QUANTITY
8	<b>Wiring Harness w/ DIN Plug (1-YLLSV)</b> (YLAA0091, 0115-0120)	575-72382-291	855337	-
	Connector, 3/8" 90deg Angle (Power Panel End)	025-31315-000	618164	1
	Conduit, 3/8"	025-31302-000	618155	9'
	Connector, 3/8" Straight (Sensor End)	025-31309-000	117547	1
	Connector, DIN Plug w/ Suppressor (Sensor End)	025-37876-000	117987	1
9	<b>Wiring Harness w/ DIN Plug (2-YLLSV)</b> (YLAA0070-0090, 0100 & 0101)	575-72382-294	813878	-
	Connector, 3/8" 90deg Angle (Power Panel End)	025-31315-000	618164	1
	Conduit, 3/8"	025-31302-000	618155	7.15'
	Connector, 3/8" Straight (Sensor End)	025-31309-000	117547	1
	Connector, DIN Plug w/ Suppressor (Sensor End)	025-37876-000	117987	1
9	<b>Wiring Harness w/ DIN Plug (2-YLLSV)</b> (YLAA0091, 0115-0120)	575-72382-292	855338	-
	Connector, 3/8" 90deg Angle (Power Panel End)	025-31315-000	618164	1
	Conduit, 3/8"	025-31302-000	618155	7.75'
	Connector, 3/8" Straight (Sensor End)	025-31309-000	117547	1
	Connector, DIN Plug w/ Suppressor (Sensor End)	025-37876-000	117987	1
10	<b>High Pressure Cut-Out Wiring Harness (1-FHP1)</b> (YLAA0070-0090, 0100 & 0101)	575-72382-209	808289	-
	Connector, 3/8" Straight (Power Panel End)	025-31309-000	117547	1
	Conduit, 3/8"	025-31302-000	618155	3'
	High Pressure Cut-Out (Sensor End)	025-41535-000	912880	1
10	<b>High Pressure Cut-Out Wiring Harness (1-FHP1)</b> (YLAA0091, 0115-0120)	575-72382-202	808282	-
	Connector, 3/8" Straight (Power Panel End)	025-31309-000	117547	1
	Conduit, 3/8"	025-31302-000	618155	6.25'
	High Pressure Cut-Out (Sensor End)	025-41535-000	912880	1
11	<b>High Pressure Cut-Out Wiring Harness (2-FHP1)</b> (YLAA0070-0090, 0100 & 0101)	575-72382-210	808290	-
	Connector, 3/8" Straight (Power Panel End)	025-31309-000	117547	1
	Conduit, 3/8"	025-31302-000	618155	7.8'
	High Pressure Cut-Out (Sensor End)	025-41535-000	912880	1
11	<b>High Pressure Cut-Out Wiring Harness (2-FHP1)</b> (YLAA0091, 0115-0120)	575-72382-203	808283	-
	Connector, 3/8" Straight (Power Panel End)	025-31309-000	117547	1
	Conduit, 3/8"	025-31302-000	618155	10.5'
	High Pressure Cut-Out (Sensor End)	025-41535-000	912880	1

**TABLE 24 - SYSTEM WIRING HARNESS DETAILS (CONT'D)**

ITEM	DESCRIPTION	PART NUMBER	SAP	QUANTITY
<b>12</b>	<b>Wiring Harness System #1 (Sys #1 to MB)</b>	575-72382-314	808353	-
	Plug, 12 position (P7)	025-28384-000	737920	1
	Mini Univ Socket (P7)	025-39579-000	920173	4
	3 Conductor Shielded Wire	025-30463-003	738503	.75'
	Mini Univ Pin (Sensor End)	025-30999-000	738540	7
	Cap, 4 Position (J16)	025-32962-000	738788	1
	Cap, 3 Position (J17)	025-39838-000	739721	1
<b>13</b>	<b>Wiring Harness System #2 (Sys #2 to MB)</b>	575-72382-315	808354	-
	Plug, 12 position (P9)	025-28384-000	737920	1
	Mini Univ Socket (P9)	025-39579-000	920173	4
	3 Conductor Shielded Wire	025-30463-003	738503	2 x .75'
	Mini Univ Pin (Sensor End)	025-30999-000	738540	7
	Cap, 4 Position (J18)	025-32962-000	738788	1
	Cap, 3 Position (J19)	025-39838-000	739721	1
<b>14</b>	<b>System #2 Pigtail (P9 Suction EEV)</b>	575-72382-333	808369	-
	Plug, 12 Position (P9)	025-28384-000	737920	1
	Mini Univ Socket (P9)	025-39579-000	920173	4
	3 Conductor Shielded Wire	025-30463-003	738503	.75' / 2'
	Mini Univ Pin (Sensor End)	025-30999-000	738540	4
	Cap, 4 Position (J21)	025-32962-000	738788	
<b>14</b>	<b>System #2 Pigtail (Suction EEV)</b>	575-72382-331	808367	-
	Plug, 12 Position (P9)	025-28384-000	737920	1
	Mini Univ Socket (P9)	025-39579-000	920173	3
	3 Conductor Shielded Wire	025-30463-003	738503	.75' / 2'
	Mini Univ Pin (Sensor End)	025-30999-000	738540	7
	Cap, 4 Position (J18)	025-32962-000	738788	1
	Cap, 3 Position (J19)	025-39838-000	739721	1
	Cap, 4 Position (J19)	025-32962-000	738788	1
<b>15</b>	<b>Wiring Harness (Danfoss Controller to EEV Valve)</b>	575-72382-338	826199	-
	Connector, M-12 (EEV Valve)	025-45054-000	826196	118"
	Shrink Tube	025-45055-000	826197	2.5"
	Terminal (Controller End)	025-45056-000	826198	4
<b>16</b>	<b>Wiring Harness (1-BSP)</b>	575-72382-345	813879	-
	Mini Univ. Socket (P7)	025-28386-000	737925	4
	3 Conductor Shielded Wire	025-30463-003	738503	83"
	Terminal, Female (Sensor End)	025-41812-000	920272	3
	Plug, Packard (Sensor End)	025-41761-000	920269	1
<b>16</b>	<b>Wiring Harness (1-BSP)</b>	575-72382-341	855339	-
	Mini Univ. Socket (P7)	025-28386-000	737925	4
	3 Conductor Shielded Wire	025-30463-003	738503	75"
	Terminal, Female (Sensor End)	025-41812-000	920272	3
	Plug, Packard (Sensor End)	025-41761-000	920269	1

**TABLE 24 - SYSTEM WIRING HARNESS DETAILS (CONT'D)**

ITEM	DESCRIPTION	PART NUMBER	SAP	QUANTITY
<b>17</b>	<b>Wiring Harness (2-BSP)</b>	575-72382-346	813880	-
	Mini Univ. Socket (P9)	025-28386-000	737925	4
	3 Conductor Shielded Wire	025-30463-003	738503	99"
	Terminal, Female (Sensor End)	025-41812-000	920272	3
	Plug, Packard (Sensor End)	025-41761-000	920269	1
<b>17</b>	<b>Wiring Harness (2-BSP)</b>	575-72382-342	855340	-
	Mini Univ. Socket (P9)	025-28386-000	737925	4
	3 Conductor Shielded Wire	025-30463-003	738503	96"
	Terminal, Female (Sensor End)	025-41812-000	920272	3
	Plug, Packard (Sensor End)	025-41761-000	920269	1
<b>18</b>	<b>Wiring Harness (1-BDP)</b>	575-72382-309	808348	-
	Mini Univ. Socket (P7)	025-28386-000	737925	4
	3 Conductor Shielded Wire	025-30463-003	738503	95"
	Terminal, Female (Sensor End)	025-41812-000	920272	3
	Plug, Packard (Sensor End)	025-41761-000	920269	1
<b>18</b>	<b>Wiring Harness (1-BDP)</b>	575-72382-302	808341	-
	Mini Univ. Socket (P7)	025-28386-000	737925	4
	3 Conductor Shielded Wire	025-30463-003	738503	95"
	Terminal, Female (Sensor End)	025-41812-000	920272	3
	Plug, Packard (Sensor End)	025-41761-000	920269	1
<b>19</b>	<b>Wiring Harness (2-BDP)</b>	575-72382-310	808349	-
	Mini Univ. Socket (P9)	025-28386-000	737925	4
	3 Conductor Shielded Wire	025-30463-003	738503	155"
	Terminal, Female (Sensor End)	025-41812-000	920272	3
	Plug, Packard (Sensor End)	025-41761-000	920269	1
<b>19</b>	<b>Wiring Harness (2-BDP)</b>	575-72382-303	808342	-
	Mini Univ. Socket (P9)	025-28386-000	737925	4
	3 Conductor Shielded Wire	025-30463-003	738503	155"
	Terminal, Female (Sensor End)	025-41812-000	920272	3
	Plug, Packard (Sensor End)	025-41761-000	920269	1
<b>20</b>	<b>Wiring Harness (BAMB)</b>	575-72382-311	808350	-
	Mini Univ. Socket (P6)	025-28386-000	737925	3
	2 Conductor Shielded Wire	025-30463-002	738502	135"
	Collar (Sensor End)	025-28950-000	65212	2
	Contact Receptacle (Sensor End)	025-28952-000	260	2
	Plug, Connector (Sensor End)	025-28951-000	62724	1
<b>20</b>	<b>Wiring Harness (BAMB)</b>	575-72382-304	808343	-
	Mini Univ. Socket (P6)	025-28386-000	737925	3
	2 Conductor Shielded Wire	025-30463-002	738502	140"
	Collar (Sensor End)	025-28950-000	65212	2
	Contact Receptacle (Sensor End)	025-28952-000	260	2
	Plug, Connector (Sensor End)	025-28951-000	62724	1

**TABLE 24 - SYSTEM WIRING HARNESS DETAILS (CONT'D)**

ITEM	DESCRIPTION	PART NUMBER	SAP	QUANTITY
<b>21</b>	<b>Wiring Harness (BLCT)</b>	575-72382-347	816571	-
	Mini Univ Socket (P6)	025-28386-000	737925	3
	2 Conductor Shielded Wire	025-30463-002	738502	125"
	Collar (Sensor End)	025-28950-000	65212	2
	Contact Receptacle (Sensor End)	025-28952-000	260	2
	Plug, Connector (Sensor End)	025-28951-000	62724	1
<b>21</b>	<b>Wiring Harness (BLCT)</b>	575-72382-343	855341	-
	Mini Univ Socket (P6)	025-28386-000	737925	3
	2 Conductor Shielded Wire	025-30463-002	738502	141"
	Collar (Sensor End)	025-28950-000	65212	2
	Contact Receptacle (Sensor End)	025-28952-000	260	2
	Plug, Connector (Sensor End)	025-28951-000	62724	1
<b>22</b>	<b>Wiring Harness (BECT)</b>	575-72382-348	816572	-
	Mini Univ Socket (P6)	025-28386-000	737925	3
	2 Conductor Shielded Wire	025-30463-002	738502	115"
	Collar (Sensor End)	025-28950-000	65212	2
	Contact Receptacle (Sensor End)	025-28952-000	260	2
	Plug, Connector (Sensor End)	025-28951-000	62724	1
<b>22</b>	<b>Wiring Harness (BECT)</b>	575-72382-344	855342	-
	Mini Univ Socket (P6)	025-28386-000	737925	3
	2 Conductor Shielded Wire	025-30463-002	738502	118"
	Collar (Sensor End)	025-28950-000	65212	2
	Contact Receptacle (Sensor End)	025-28952-000	260	2
	Plug, Connector (Sensor End)	025-28951-000	62724	1

## CONTROL PANEL AND POWER PANEL

**TABLE 25 - POWER ENCLOSURE**

ITEM	DESCRIPTION	PART NUMBER	SAP	FIGURE
1	Electrical Enclosure Panel, Side	075-74544-000	757218	11
2	Electrical Enclosure Panel, Top	075-74542-000	757216	11
3	Electrical Enclosure Panel, Side	075-74543-000	757217	11
4	Support Door Electrical Enclosure	075-74545-000	757219	11
5	Support Door Electrical Enclosure	075-74557-000	757230	11
6	Electrical Enclosure Panel, Bottom	075-74552-000	757223	11
7	Electrical Enclosure Panel	075-74556-000	757229	11
8	Door, Electrical Enclosure	075-74558-000	757231	11
9	Door Control, Electrical Enclosure	075-74554-000	757226	11
16	Door, Electrical Enclosure (Pin 20 = A or H)	075-74553-000	757224	11
	Door, Electrical Enclosure (Pin 20 = B or S )	075-74553-500	757225	
17	Quarter Turn Panel Latch	021-32078-000	410126	11
18	Panel Rear Electrical Enclosure	075-74555-000	757228	11
20	Bracket Lifting Electrical Enclosure	075-74912-000	757514	11
22	Plate Patch	075-61074-009	754268	11
27	Bar Electrical Enclosure	075-74918-000	757515	11
28	Nut Wing M6	021-31562-000	654272	11
38	Snap Bushing	028-14325-000	741869	11
39	Snap Bushing	028-14320-000	741868	11
42	Cover Door Panel Control	075-84343-000	560103	11
43	Cover Door Panel Electrical (Right)	075-84344-001	759414	11
44	Cover Door Panel Electrical (Left)	075-84345-001	759415	11
45	Plate Patch Sunshield	075-90123-000	760207	11

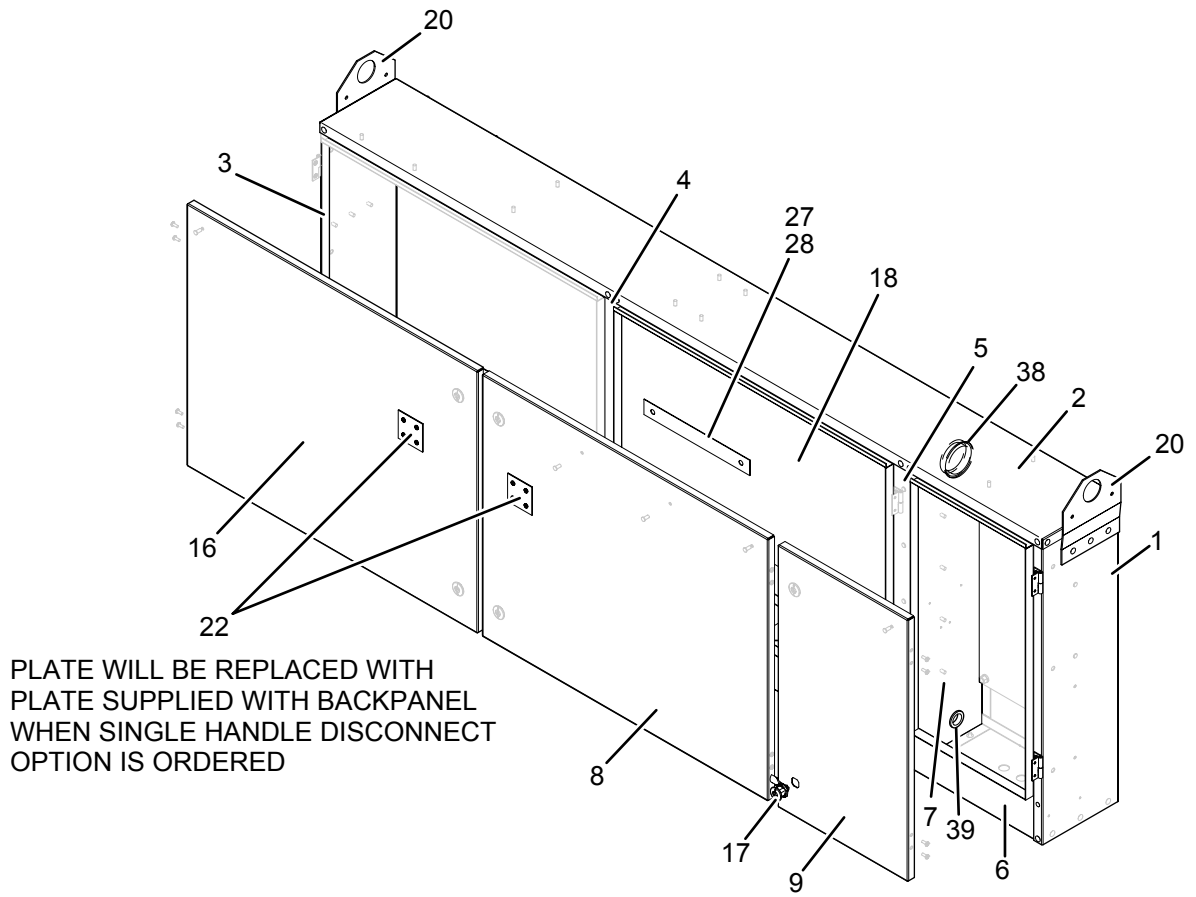
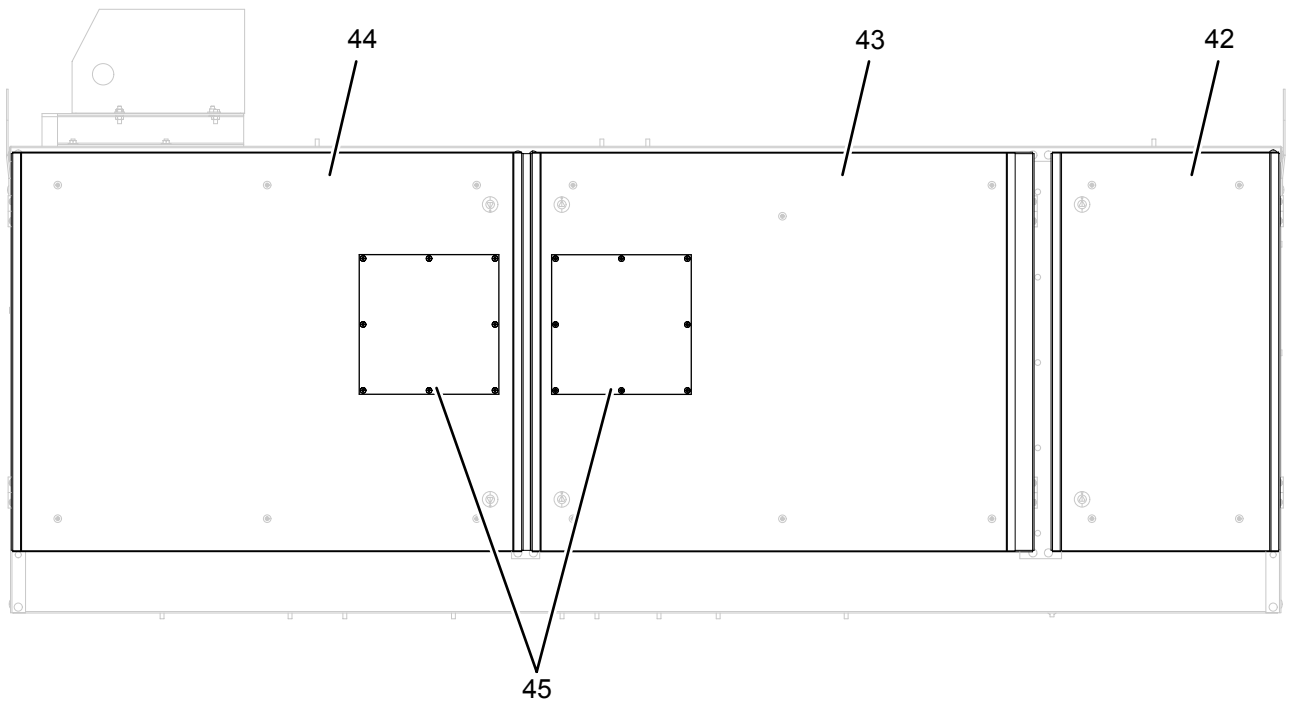


PLATE WILL BE REPLACED WITH  
 PLATE SUPPLIED WITH BACKPANEL  
 WHEN SINGLE HANDLE DISCONNECT  
 OPTION IS ORDERED



LD16781

**FIGURE 12 - POWER ENCLOSURE**

**TABLE 26 - CONTROL PANEL AND POWER PANEL IDENTIFIERS FOR LOW SOUND AND ULTRA SOUND FANS**

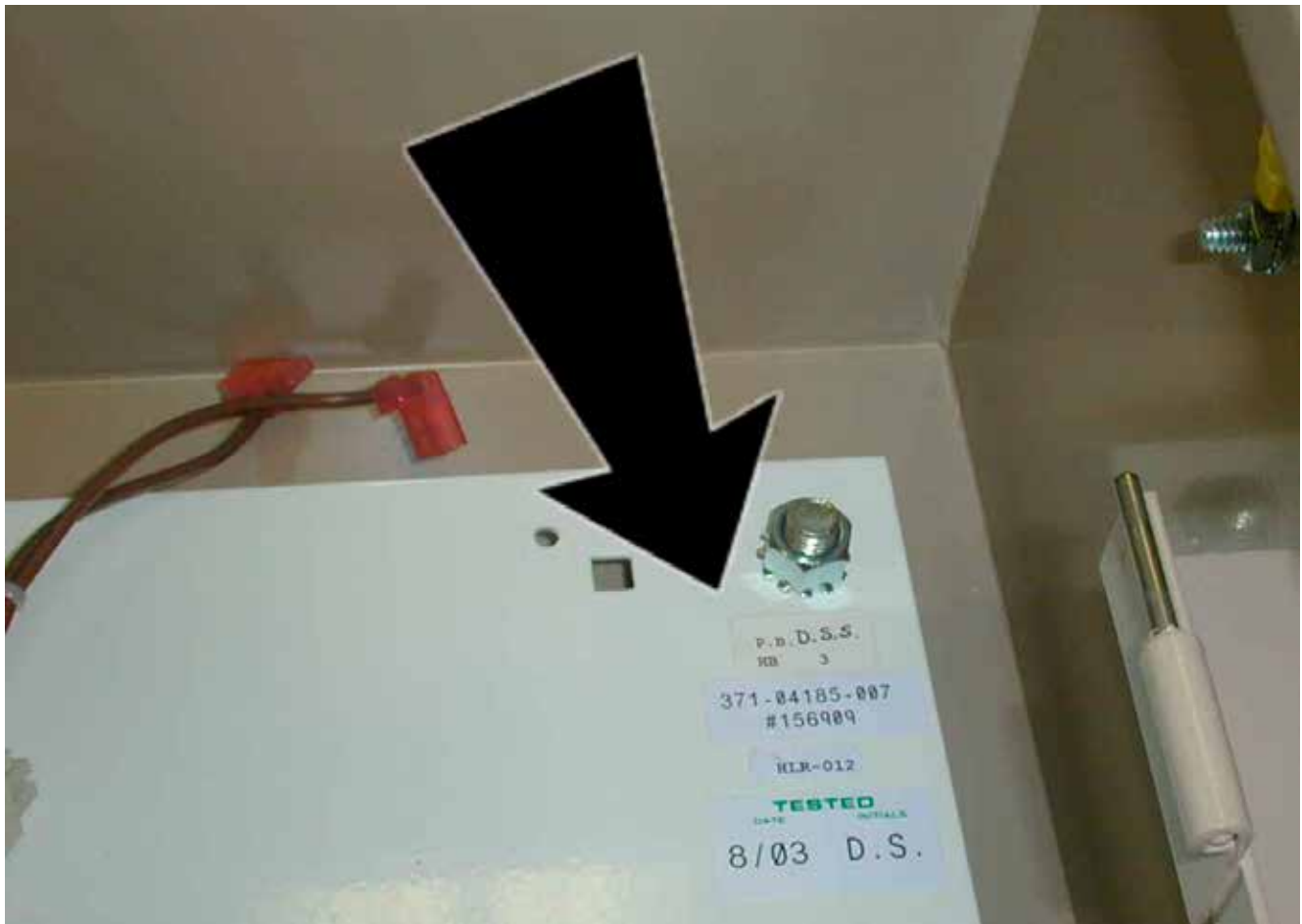
MODEL	VOLTAGE (PIN 11 & 12)	SINGLE POINT TERMINAL BLOCK (SX)	SINGLE POINT NON-FUSED DISCONNECT SWITCH (SD)	SINGLE POINT CIRCUIT BREAKER (BX)	SINGLE POINT NON-FUSED DISCONNECT SWITCH W/ IND. SYS. CIRCUIT BREAKERS (DB)	MULTIPLE POINT W/ IND. SYS. CIRCUIT BREAKERS AND L EXTERNAL HANDLES (MB)
YLAA0070	17	371-05245-101	371-05245-201	371-05245-301	371-05245-401	371-05245-501
	28	371-05245-102	371-05245-202	371-05245-302	371-05245-402	371-05245-502
	40	371-05245-103	371-05245-203	371-05245-303	371-05245-403	371-05245-503
	46	371-05245-104	371-05245-204	371-05245-304	371-05245-404	371-05245-504
	58	371-05245-105	371-05245-205	371-05245-305	371-05245-405	371-05245-505
YLAA0080	17	371-05245-107	371-05245-207	371-05245-307	371-05245-407	371-05245-507
	28	371-05245-108	371-05245-208	371-05245-308	371-05245-408	371-05245-508
	40	371-05245-109	371-05245-209	371-05245-309	371-05245-409	371-05245-509
	46	371-05245-110	371-05245-210	371-05245-310	371-05245-410	371-05245-510
	58	371-05245-111	371-05245-211	371-05245-311	371-05245-411	371-05245-511
YLAA0090	17	371-05246-101	371-05246-201	371-05246-301	371-05246-401	371-05246-501
	28	371-05246-102	371-05246-202	371-05246-302	371-05246-402	371-05246-502
	40	371-05246-103	371-05246-203	371-05246-303	371-05246-403	371-05246-503
	46	371-05246-104	371-05246-204	371-05246-304	371-05246-404	371-05246-504
	58	371-05246-105	371-05246-205	371-05246-305	371-05246-405	371-05246-505
YLAA0091	17	371-05244-101	371-05244-201	371-05244-301	371-05244-401	371-05244-501
	28	371-05244-102	371-05244-202	371-05244-302	371-05244-402	371-05244-502
	40	371-05244-103	371-05244-203	371-05244-303	371-05244-403	371-05244-503
	46	371-05244-104	371-05244-204	371-05244-304	371-05244-404	371-05244-504
	58	371-05244-105	371-05244-205	371-05244-305	371-05244-405	371-05244-505
YLAA0100 AND YLAA0101	17	371-05246-107	371-05246-207	371-05246-307	371-05246-407	371-05246-507
	28	371-05246-108	371-05246-208	371-05246-308	371-05246-408	371-05246-508
	40	371-05246-109	371-05246-209	371-05246-309	371-05246-409	371-05246-509
	46	371-05246-110	371-05246-210	371-05246-310	371-05246-410	371-05246-510
	58	371-05246-111	371-05246-211	371-05246-311	371-05246-411	371-05246-511
YLAA0115	17	371-05244-107	371-05244-207	371-05244-307	371-05244-407	371-05244-507
	28	371-05244-108	371-05244-208	371-05244-308	371-05244-408	371-05244-508
	40	371-05244-109	371-05244-209	371-05244-309	371-05244-409	371-05244-509
	46	371-05244-110	371-05244-210	371-05244-310	371-05244-410	371-05244-510
	58	371-05244-111	371-05244-211	371-05244-311	371-05244-411	371-05244-511
YLAA0120	17	371-05244-107	371-05244-207	371-05244-307	371-05244-407	371-05244-507
	28	371-05244-108	371-05244-208	371-05244-308	371-05244-408	371-05244-508
	40	371-05244-109	371-05244-209	371-05244-309	371-05244-409	371-05244-509
	46	371-05244-110	371-05244-210	371-05244-310	371-05244-410	371-05244-510
	58	371-05244-111	371-05244-211	371-05244-311	371-05244-411	371-05244-511

To identify replacement part numbers, select panel identifier number from *Table 26* or from the panel identifier label shown on *Figure 13*, then refer to the power panel component. See *Table 28* through *Table 32* and *Figure 14* through *Figure 16*.

**TABLE 27 - CONTROL PANEL AND POWER PANEL IDENTIFIERS FOR HIGH AIR FLOW FANS**

MODEL	VOLTAGE (PIN 11 & 12)	SINGLE POINT TERMINAL BLOCK (SX)	SINGLE POINT NON-FUSED DISCONNECT SWITCH (SD)	SINGLE POINT CIRCUIT BREAKER (BX)
YLAA0070	17	N/A	N/A	N/A
	28	N/A	N/A	N/A
	40	371-05245-160	371-05245-260	371-05245-360
	46	371-05245-161	371-05245-261	371-05245-361
	58	N/A	N/A	N/A
YLAA0080	17	N/A	N/A	N/A
	28	N/A	N/A	N/A
	40	371-05245-162	371-05245-262	371-05245-362
	46	371-05245-163	371-05245-263	371-05245-363
	58	N/A	N/A	N/A
YLAA0090	17	N/A	N/A	N/A
	28	N/A	N/A	N/A
	40	371-05246-160	371-05246-260	371-05246-360
	46	371-05246-161	371-05246-261	371-05246-361
	58	N/A	N/A	N/A
YLAA0091	17	N/A	N/A	N/A
	28	N/A	N/A	N/A
	40	371-05244-160	371-05244-260	371-05244-360
	46	371-05244-161	371-05244-261	371-05244-361
	58	N/A	N/A	N/A
YLAA0100	17	N/A	N/A	N/A
	28	N/A	N/A	N/A
	40	371-05246-162	371-05246-262	371-05246-362
	46	371-05246-163	371-05246-263	371-05246-363
	58	N/A	N/A	N/A
YLAA0101	17	N/A	N/A	N/A
	28	N/A	N/A	N/A
	40	371-05246-164	371-05246-264	371-05246-364
	46	371-05246-165	371-05246-265	371-05246-365
	58	N/A	N/A	N/A
YLAA0115 AND YLAA0120	17	N/A	N/A	N/A
	28	N/A	N/A	N/A
	40	371-05244-164	371-05244-264	371-05244-364
	46	371-05244-165	371-05244-265	371-05244-365
	58	N/A	N/A	N/A

To identify replacement part numbers, select panel identifier number from *Table 26* or from the panel identifier label shown on *Figure 13*, then refer to the power panel component. See *Table 28* through *Table 32* and *Figure 14* through *Figure 16*.



DSCN0003

NOTE:  
Locate the PANEL NUMBER sticker on the upper right hand corner of the power panel, see Figure 12, then refer to the appropriate parts list for that number.

**FIGURE 13 - PANEL PART NUMBER STICKER**

**TABLE 28 - POWER PANEL COMPONENTS - YLAA0070 - YLAA0120, SINGLE POINT TERMINAL BLOCK (SX)**

ITEM	DESCRIPTION	MODEL	VOLTAGE (PIN 11 & 12)	FANS	CURRENT PART NUMBER*	PREVIOUS PART NUMBER(S)*	QTY
<b>2A</b>	Fan Control Relay	YLAA0070 - YLAA0120	All	All	024-37045-000	024-35526-000	13
<b>2B</b>	Fan Contactor, 12A	YLAA0070 - YLAA0090	17, 28 40	X or L All	024-34300-000*	024-35444-000*	4
	Fan Contactor, 9A	YLAA0070	46 58	All X or L	024-34302-000*	024-35441-000*	4
	Fan Contactor, 12A	YLAA0091	17, 28 40	X or L All	024-34300-000*	024-35444-000*	6
	Fan Contactor, 9A	YLAA0091	46 58	All X or L	024-34302-000*	024-35441-000*	6
	Fan Contactor, 12A	YLAA0100 - YLAA0101	17, 28, 40	X or L	024-34300-000*	024 35444 000 024-35447-000 (18A)*	4
	Fan Contactor, 9A		40, 46	G		N/A	5
	Fan Contactor, 9A		46, 58	X or L	024-34302-000*	024-35441-000 024-35444-000 (12A)*	2
	Fan Contactor, 18A	YLAA0115 - YLAA0125	17, 28	X or L	024-34304-000*	024-35477-000*	2
	Fan Contactor, 12A				024-34300-000*	024-35444-000*	4
	Fan Contactor, 12A				024-34300-000*	024-35444-000*	6
	Fan Contactor, 12A	YLAA0115 - YLAA0120	40	G	024-34300-000*	N/A	6
	Fan Contactor, 12A	YLAA0115 - YLAA0120	46	X or L	024-34300-000*	None	2
	Fan Contactor, 9A				024-34302-000*	024-35441-000*	4
	Fan Contactor, 12A	YLAA0115 - YLAA0120	46	G	024-34300-000*	N/A	6
Fan Contactor, 9A	YLAA0115 - YLAA0120	58	X or L	024-34302-000*	024-35441-000*	6	
<b>2C</b>	Surge Suppressor	YLAA0070 - YLAA0080	17, 28 40, 46 58	X or L All X or L	031-02110-000	031-00808-000	6
	Surge Suppressor	YLAA0090 - YLAA0091	17, 28	X or L	031-00808-000	Same	4
	Surge Suppressor	YLAA0090 YLAA0091	40, 46	All	031-02110-000	031-00808-000	4 2
	Surge Suppressor	YLAA0090 YLAA0091	58	X or L	031-02110-000	031-00808-000	4 2
	Surge Suppressor	YLAA0100 - YLAA0101	17, 28 40, 46 58	X or L All X or L	031-00808-000 031-02110-000	Same 031-00808-000	5 3
	Surge Suppressor	YLAA0115 - YLAA0120 YLAA0115 - YLAA0120 YLAA0115 - YLAA0120	17, 28 40, 46 40, 46, 58	X or L G X or L	031-00808-000	Same N/A Same	4
	Compressor Contactor, 80A	YLAA0070 - YLAA0080	17 28	X or L	024-34310-000*	024-35470-000* 024-35470-000 024-35467-000 (65A)*	6
	Compressor Contactor, 50A	YLAA0070	40	All	024-37040-000*	024-35462-000*	6
Compressor Contactor, 65A	YLAA0080	40	All	024-37041-000*	024-35467-000*	3	
Compressor Contactor, 50A	YLAA0070 - YLAA0080	46, 58	All	024-37040-000*	024-35462-000*	6	
Compressor Contactor, 80A	YLAA0090	17, 28	X or L	024-34310-000*	024-35470-000 024-34294-000 (150A)*	4	
Compressor Contactor, 65A				024-37041-000*	024-35467-000 024-35473-000 (95A)*	4	
Compressor Contactor, 50A				024-37040-000*	024-35462-000 024-35470-000 (80A)*	4	
Compressor Contactor, 50A				024-37040-000*	024-35462-000 024-35470-000 (80A)*	4	

**TABLE 28 - POWER PANEL COMPONENTS - YLAA0070 - YLAA0120, SINGLE POINT  
 TERMINAL BLOCK (SX) (CONT'D)**

ITEM	DESCRIPTION	MODEL	VOLTAGE (PIN 11 & 12)	FANS	CURRENT PART NUMBER*	PREVIOUS PART NUMBER(S)*	QTY
3A	Compressor Contactor, 80A	YLAA0091	17, 28	X or L	024-34310-000*	024-35470-000*	2
	024-34294-000*				024-34294-000*	2	
	Compressor Contactor, 115A		40	All	024-37042-000*	024-35467-000 (65A) 024-35473-000 (95A)*	2
	Compressor Contactor, 50A		46 58	All X or L	024-37040-000*	024-35462-000 024-35470-000 (80A)*	2
	Compressor Contactor, 80A	YLAA0100 - YLAA0101	17, 28	X or L	024-34310-000*	024-35470-000 024-34294-000 (150A)*	3
	Compressor Contactor, 65A		40	All	024-37041-000*	024-35467-000*	3
	Compressor Contactor, 50A				024-37040-000*	024-35473-000 (95A)*	3
	Compressor Contactor, 65A	YLAA0100 - YLAA0101	46	All	024-37041-000*	024-35467-000 (80A)*	3
	Compressor Contactor, 50A		46	All	024-37040-000*	024-35462-000 (95A)*	
			58	X or L		024-35462-000 024-35470-000 (80A)*	
	Compressor Contactor, 150A	YLAA0115 - YLAA0120	17, 28	X or L	024-34294-000*	Same	4
	Compressor Contactor, 115A		40	All	024-37042-000*	024-35473-000 (95A)*	
Compressor Contactor, 80A	46, 58		All	024-34310-000*	024-35470-000*		
3B	Ground Lug	YLAA0070 - YLAA0080	All	X or L	025-34088-000	Same	6
			40, 46	G	025-34455-000	N/A	
	Ground Lug	YLAA0090	17, 28	X or L	025-34088-000	Same	4
			40, 46 58	All	025-34089-000	Same	3
				X or L		Same	5
	Ground Lug	YLAA0091	17, 28	X or L	025-34089-000	Same	2
			40, 46	G		N/A	4
			40, 46, 58	X or L		Same	4
	Ground Lug	YLAA0100 - YLAA0101	17, 28	X or L	025-34088-000	Same	3
			40, 46	G	025-34089-000	N/A	2
			40, 46, 58	X or L	025-34088-000	Same	5
	Ground Lug	YLAA0115 - YLAA0120	17, 28	X or L	025-34089-000	Same	4
40, 46			G	025-34088-000	N/A	4	
40, 46, 58			X or L		Same		
4A	Terminal Block	YLAA0070 - YLAA0080	17, 28	X or L	025-32536-000	025-39410-000	1
		YLAA0090 - YLAA0120				Same	
	Terminal Block	YLAA0070 - YLAA0120	40, 46	X or L	025-39410-000	Same	1
	Terminal Block	YLAA0070 - YLAA0120	40	G	025-39410-000	N/A	1
		YLAA0115 - YLAA0120			025-32536-000		
Terminal Block	YLAA0070 - YLAA0120	46	G	025-39410-000	N/A	1	
Terminal Block	YLAA0070 - YLAA0120	58	X or L	025-39410-000	Same	1	

**TABLE 28 - POWER PANEL COMPONENTS - YLAA0070 - YLAA0120, SINGLE POINT TERMINAL BLOCK (SX) (CONT'D)**

ITEM	DESCRIPTION	MODEL	VOLTAGE (PIN 11 & 12)	FANS	CURRENT PART NUMBER*	PREVIOUS PART NUMBER(S)*	QTY
4B	Safety Cover	YLAA0070 - YLAA0080	17, 28	X or L	025-39397-000	025-39393-000	3
		YLAA0090 - YLAA0120				Same	
	Safety Cover	YLAA0070 - YLAA0120	40, 46	X or L	025-39393-000	Same	3
		YLAA0070 - YLAA0101	40, 46	G	025-39393-000	N/A	3
	YLAA0115 - YLAA0120	025-39397-000					
Safety Cover	YLAA0070 - YLAA0120	58	X or L	025-39393-000	Same	3	
4D	Ground Lug	YLAA0070 - YLAA0080	17	X or L	025-34089-000	Same	1
		YLAA0090					3
	Ground Lug	YLAA0091 - YLAA0120	17	X or L	025-34085-000	025-34089-000*	2
	Ground Lug	YLAA0115 - YLAA0120	17	X or L	025-34089-000	Same	4
	Ground Lug	YLAA0070	28	X or L	025-34089-000	Same	2
		YLAA0080					1
		YLAA0090					3
	Ground Lug	YLAA0091 - YLAA0120	28	X or L	025-34085-000	025-34089-000	2
		YLAA0115 - YLAA0120			025-34089-000		4
	Ground Lug	YLAA0070 - YLAA0120	40	X or L	025-34089-000	Same	1
	Ground Lug	YLAA0070 - YLAA0101	40	G	025-34085-000	N/A	1
		YLAA0115 - YLAA0120			025-34089-000		2
	Ground Lug	YLAA0070 - YLAA0101	46	X or L	025-34089-000	Same	1
		YLAA0115 - YLAA0120			025-34085-000		025-34089-000
	Ground Lug	YLAA0070 - YLAA0080	46	G	025-34089-000	N/A	1
YLAA0090 - YLAA0120		025-34085-000			1		
Ground Lug	YLAA0070 - YLAA0120	58	X or L	025-34089-000	Same	1	
8A	Fuse Block	YLAA0070 - YLAA0120	All	All	025-37863-000	025-39952-000	2
9A	Ground Bar	YLAA0070 - YLAA0120	All	All	025-35685-000	Same	4

Notes:

1. See *Figure 14* for component locations.
2. \* Make a visual inspection of the contactors in order to select the correct replacement part, refer to *Table 33*.
3. Items 2A and 2B are recommended spare parts.
4. Fans are either Standard or Ultra Quiet (X or L) or High Airflow (G).

**TABLE 29 - POWER PANEL COMPONENTS - YLAA0070 - YLAA0120, SINGLE POINT NON-FUSED DISCONNECT SWITCH (SD)**

ITEM	DESCRIPTION	MODEL	VOLTAGE (PIN 11 & 12)	FANS	CURRENT PART NUMBER*	PREVIOUS PART NUMBER(S)*	QTY	
<b>2A</b>	Fan Control Relay	All	All	All	024-37045-000	024-35526-000	3	
<b>2B</b>	Fan Contactor, 12A	YLAA0070 - YLAA0090	17, 28, 40	X or L	024-34300-000*	024-35444-000*	4	
	Fan Contactor, 9A		46, 58		024-34302-000*	024-35441-000*	4	
	Fan Contactor, 12A		40, 46	G	024-34300-000*	N/A	4	
	Fan Contactor, 12A	YLAA0091	17, 28, 40	X or L	024-34300-000*	024-35444-000*	6	
	Fan Contactor, 9A		46, 58		024-34302-000*	024-35441-000*	6	
	Fan Contactor, 12A		40, 46	G	024-34300-000*	N/A	6	
	Fan Contactor, 12A	YLAA0100, YLAA0101	17, 28, 40	X or L	024-34300-000*	024-35444-000 or 024-35447-000 (18A)*	4	
	Fan Contactor, 9A		46, 58		024-34302-000*	024-35441-000 or 024-35444-00 (12A)*	2	
	Fan Contactor, 12A	YLAA0100	40, 46	G	024-34300-000*	N/A	5	
	Fan Contactor, 12A	YLAA0101	40, 46				6	
	<b>2B</b>	Fan Contactor, 12A	YLAA0115 - YLAA0120	17, 28	X or L	024-34300-000*	024-35444-000*	4
		Fan Contactor, 18A				024-34304-000*	024-35447-000*	2
		Fan Contactor, 12A		40		024-34300-000*	024-35444-000*	6
				46				2
		Fan Contactor, 9A		46		024-34302-000*	024-35441-000*	4
58				024-35441-000 (9A) or 024-35444-00 (12A)*				6
Fan Contactor, 12A	40, 46	G	024-34300-000*	N/A	6			
<b>2C</b>	Surge Suppressor, 250VAC	YLAA0070, YLAA0080	17, 28	X or L	031-00808-000	031-00808-000	6	
	Surge Suppressor, 110-240VAC		40, 46, 48		031-02110-000			
	Surge Suppressor, 110-240VAC		40, 46	G	031-02110-000	N/A		
	Surge Suppressor, 250VAC	YLAA0090	17, 28	X or L	031-00808-000	031-00808-000	5	
	Surge Suppressor, 110-240VAC		40, 46, 58		031-02110-000		4	
	Surge Suppressor, 110-240VAC		40, 46	G	031-02110-000	N/A	4	

**TABLE 29 - POWER PANEL COMPONENTS - YLAA0070 - YLAA0120, SINGLE POINT NON-FUSED DISCONNECT SWITCH (SD) (CONT'D)**

ITEM	DESCRIPTION	MODEL	VOLTAGE (PIN 11 & 12)	FANS	CURRENT PART NUMBER*	PREVIOUS PART NUMBER(S)*	QTY	
<b>2C</b>	Surge Suppressor, 250VAC	YLAA0091	17, 28	X or L	031-00808-000	031-00808-000	4	
	Surge Suppressor, 110-240VAC		40, 46, 58		031-02110-000	031-00808-000	2	
	Surge Suppressor, 250VAC				031-00808-000			
	Surge Suppressor, 250VAC		40, 46	G	031-00808-000	N/A	2	
	Surge Suppressor, 110-240VAC			031-02110-000				
	Surge Suppressor, 250VAC	YLAA0100, YLAA0101	17, 28	X or L	031-00808-000	031-00808-000	5	
	Surge Suppressor, 110-240VAC		40, 46, 58		031-02110-000		3	
	Surge Suppressor, 110-240VAC	YLAA0100	40, 46	G	031-02110-000	N/A	3	
	Surge Suppressor, 250VAC	YLAA0115 - YLAA0120	All	All	031-00808-000	031-00808-000	4	
	Surge Suppressor, 250VAC	YLAA0115, YLAA0120	40, 46	G	031-00808-000	N/A	4	
<b>3A</b>	Compressor Contactor, 80A	YLAA0070	17	X or L	024-34310-000*	024-35470-000*	6	
			28			024-35470-000 or 024-35467-000 (65A)*		
	Compressor Contactor, 50A		40, 46, 58		024-37040-000*	024-35462-000*		
			40, 46	G	024-37040-000*	N/A		
	Compressor Contactor, 80A	YLAA0080	17	X or L	024-34310-000*	024-35470-000*	6	
			28			024-35470-000 or 024-35467-000 (65A)*		
			Compressor Contactor, 65A		40	024-37041-000*	024-35462-000 (50A)*	3
			Compressor Contactor, 50A		46, 58	024-37040-000*	024-35462-000*	6
			Compressor Contactor, 65A	40	G	024-37041-000*	N/A	3
			Compressor Contactor, 50A	46		024-37040-000*		6

**TABLE 29 - POWER PANEL COMPONENTS - YLAA0070 - YLAA0120, SINGLE POINT NON-FUSED DISCONNECT SWITCH (SD) (CONT'D)**

ITEM	DESCRIPTION	MODEL	VOLTAGE (PIN 11 & 12)	FANS	CURRENT PART NUMBER*	PREVIOUS PART NUMBER(S)*	QTY
3A	Compressor Contactor, 80A	YLAA0090	17	X or L	024-34310-000*	024-35470-000 or 024-34294-000 (150A)*	4
			28			024-35470-000 or 024-35473-000 (95A)*	
	Compressor Contactor, 65A		40		024-37041-000*	024-35467-000 or 024-35473-000 (95A)*	
	Compressor Contactor, 50A		46, 58	024-37040-000*	024-35462-000 or 024-35470-000 (80A)*		
	Compressor Contactor, 65A		40	G	024-37041-000*	N/A	
	Compressor Contactor, 50A		46		024-37040-000*		
	Compressor Contactor, 150A	YLAA0091	17, 28	X or L	024-34294-000*	024-34294-000*	2
	Compressor Contactor, 80A				024-34310-000*	024-35470-000*	
	Compressor Contactor, 65A				40	024-37041-000*	
	Compressor Contactor, 115A		46, 58		024-37042-000*	024-35473-000 (95A)*	
	Compressor Contactor, 50A				024-37040-000*	024-35462-000*	
	Compressor Contactor, 80A		024-34310-000*		024-35470-000*		
Compressor Contactor, 115A	40		G	024-37042-000*	N/A		
Compressor Contactor, 65A	46			024-37041-000*			
Compressor Contactor, 50A				024-37040-000*			
Compressor Contactor, 80A	024-34310-000*						

**TABLE 29 - POWER PANEL COMPONENTS - YLAA0070 - YLAA0120, SINGLE POINT NON-FUSED DISCONNECT SWITCH (SD) (CONT'D)**

ITEM	DESCRIPTION	MODEL	VOLTAGE (PIN 11 & 12)	FANS	CURRENT PART NUMBER*	PREVIOUS PART NUMBER(S)*	QTY
3A	Compressor Contactor, 80A	YLAA0100, YLAA0101	17, 28	X or L	024-34310-000*	024-35470-000 or 024-34294-000 (150A)*	3
	Compressor Contactor, 65A		40		024-37041-000*	024-35467-000 or 024-35473-000 (95A)*	
	Compressor Contactor, 50A		46, 58		024-37040-000*	024-35462-000 or 024-35470-000 (80A)*	
	Compressor Contactor, 65A		40	024-37040-000*	N/A		
	Compressor Contactor, 50A		46				
	Compressor Contactor, 150A		YLAA0115 - YLAA0120	17, 28	X or L	024-34294-000*	
Compressor Contactor, 115A	40	024-37042-000*		024-35473-000 (95A)*			
Compressor Contactor, 80A	46,58	024-34310-000*		024-35470-000*			
Compressor Contactor, 115A	40, 46	G		024-37042-000*	N/A		
3B	Ground Lug	YLAA0070	All	X or L	025-34088-000	025-34088-000	6
			40	G	025-34088-000	N/A	
			46		025-34455-000		
	Ground Lug	YLAA0080	All	X or L	025-34088-000	025-34088-000	6
			40	G	025-34455-000	N/A	
			46		025-34088-000		
	Ground Lug	YLAA0090	40, 46, 58	X or L	025-34088-000	025-34088-000	5
			40, 46	G		N/A	
	Ground Lug	YLAA0091	17, 28	X or L	025-34088-000	025-34088-000	2
			40, 46, 58		025-34089-000		2
			40, 46	G	025-34088-000	N/A	4
			40, 46		025-34088-000		4
	Ground Lug	YLAA0100, YLAA0101	17, 28	X or L	025-34088-000	025-34088-000	3
			40, 46, 58				5
			40, 46	G			025-34088-000
Ground Lug	YLAA0115 - YLAA0120	17, 28	X or L	025-34089-000	025-34088-000	4	
		40, 46, 58		025-34088-000			
		40, 46	G	025-34088-000	N/A		

**TABLE 29 - POWER PANEL COMPONENTS - YLAA0070 - YLAA0120, SINGLE POINT NON-FUSED DISCONNECT SWITCH (SD) (CONT'D)**

ITEM	DESCRIPTION	MODEL	VOLTAGE (PIN 11 & 12)	FANS	CURRENT PART NUMBER*	PREVIOUS PART NUMBER(S)*	QTY
4A	Non-Fused Disconnect Switch	YLAA0070	17, 28	X or L	024-37499-000	024-30965-000	1
					024-35975-000, 024-37497-000	024-30963-000	
			40, 46	G	024-35975-000, 024-37497-000	N/A	1
	Non-Fused Disconnect Switch	YLAA0080	17, 28	X or L	024-37499-000	024-30965-000	1
			40		024-37498-000	024-30964-000	
			46, 58		024-35975-000, 024-37497-000	024-30963-000	
			40	G	024-37498-000	N/A	1
	46	024-35975-000, 024-37497-000					
	Non-Fused Disconnect Switch	YLAA0090	17, 28	X or L	024-37499-000	024-30965-000	1
			40		024-37498-000	024-30964-000	
			46, 58		024-35975-000, 024-37497-000	024-30963-000	
			40	G	024-37498-000	N/A	1
	46	024-35975-000, 024-37497-000					
	Non-Fused Disconnect Switch	YLAA0091	17, 28	X or L	024-37499-000	024-30965-000	1
			40		024-37498-000	024-30964-000	
			46, 58		024-35975-000, 024-37497-000	024-30963-000	
			40, 46	G	024-37498-000	N/A	1
	Non-Fused Disconnect Switch	YLAA0100, YLAA0101	17, 28	X or L	024-37499-000	024-30965-000	1
40, 46			024-37498-000		024-30964-000		
58			024-35975-000, 024-37497-000		024-30963-000		
40, 46			G	024-37498-000	N/A	1	
Non-Fused Disconnect Switch	YLAA0115 - YLAA0120	17, 28	X or L	024-37499-000	024-31889-000	1	
		40, 46, 58		024-37498-000	024-30964-000		
Non-Fused Disconnect Switch	YLAA0115 - YLAA0120	46	G	024-37498-000	N/A	1	

**TABLE 29 - POWER PANEL COMPONENTS - YLAA0070 - YLAA0120, SINGLE POINT NON-FUSED DISCONNECT SWITCH (SD) (CONT'D)**

ITEM	DESCRIPTION	MODEL	VOLTAGE (PIN 11 & 12)	FANS	CURRENT PART NUMBER*	PREVIOUS PART NUMBER(S)*	QTY
4C	Operator Mechanism	YLAA0070	17, 28	X or L	025-34409-000, 024-37559-000	024-31878-000	1
			40, 46, 58		024-37558-000		
			40, 46	G	024-37558-000	N/A	
	Operator Mechanism	YLAA0080	17, 28	X or L	025-34409-000, 024-37559-000	024-31878-000	1
			40, 46, 58		024-37558-000		
			40, 46	G	024-37558-000	N/A	
	Operator Mechanism	YLAA0090	17, 28	X or L	025-34409-000, 024-37559-000	024-31878-000	1
			40, 46, 58		024-37558-000		
			40, 46	G	024-37558-000	N/A	
	Operator Mechanism	YLAA0091	17, 28	X or L	025-34409-000, 024-37559-000	024-31878-000	1
			40, 46, 58		024-37558-000		
			40, 46	G	024-37558-000	N/A	
Operator Mechanism	YLAA0100, YLAA0101	17, 28	X or L	025-34409-000, 024-37559-000	024-31878-000	1	
		40, 46, 58		024-37558-000			
		40, 46	G	024-37558-000	N/A		
Operator Mechanism	YLAA0115 - YLAA0120	17, 28	X or L	025-34409-000, 024-37559-000	024-31878-000	1	
		40, 46, 58		024-37558-000			
Operator Mechanism	YLAA0115 - YLAA0120	46	G	024-37558-000	N/A	1	

**TABLE 29 - POWER PANEL COMPONENTS - YLAA0070 - YLAA0120, SINGLE POINT NON-FUSED DISCONNECT SWITCH (SD) (CONT'D)**

ITEM	DESCRIPTION	MODEL	VOLTAGE (PIN 11 & 12)	FANS	CURRENT PART NUMBER*	PREVIOUS PART NUMBER(S)*	QTY
4D	Ground Lug	YLAA0070	All	X or L	025-34089-000	025-34089-000	1
			40	G	025-34085-000	N/A	1
			46		025-34089-000		
	Ground Lug	YLAA0080	17	X or L	025-34085-000	025-34089-000	1
			28, 40, 46		025-34089-000		2
			40	G	025-34085-000	N/A	1
			46		025-34089-000		
	Ground Lug	YLAA0090	17, 28	X or L	None	025-34089-000	None
			40, 46, 58		025-34089-000	025-34089-000	1
			40, 46	G	025-34085-000	N/A	1
	Ground Lug	YLAA0091	17, 28	X or L	025-34085-000	025-34089-000	1
			40, 46, 58		025-34089-000		
			40, 46	G	025-34085-000	N/A	1
	Ground Lug	YLAA0100, YLAA0101	17, 28	X or L	025-34085-000	025-34089-000	1
			40, 46, 58		025-34089-000		
			40, 46	G	025-34085-000	N/A	1
Ground Lug	YLAA0115 - YLAA0120	17, 28	X or L	025-34085-000	025-34089-000	1	
		17, 28, 40		025-34089-000		4	
Ground Lug	YLAA0115 - YLAA0120	46	X or L	025-34085-000	025-34089-000	1	
		58		025-34089-000			
Ground Lug	YLAA0115, YLAA0120	40	G	025-34089-000	N/A	2	
		YLAA0115 - YLAA0120		46	025-34085-000	N/A	1
8A	Fuse Holder	All	All	X or L	025-37863-000, 025-39952-000	025-37863-000	2
	Fuse Holder	All	40, 46	G	025-37863-000, 025-39952-000	N/A	2
9A	Ground Bar	All	All	X or L	025-35685-000	025-35685-000	4
	Ground Bar	All	40, 46	G	025-35685-000	N/A	4

Notes:

1. See *Figure 14* for component locations.
2. \* Make a visual inspection of the contactors in order to select the correct replacement part, refer to *Table 33*.
3. Items 2A and 2B are recommended spare parts.
4. Fans are either Standard or Ultra Quiet (X or L) or High Airflow (G).

**TABLE 30 - POWER PANEL COMPONENTS - YLAA0070 - YLAA0120,  
SINGLE POINT CIRCUIT BREAKER (BX)**

ITEM	DESCRIPTION	MODEL	VOLTAGE (PIN 11 & 12)	FANS	CURRENT PART NUMBER*	PREVIOUS PART NUMBER(S)*	QTY
<b>2A</b>	Fan Control Relay	All	All	X or L	024-37045-000	024-35526-000	3
			40, 46	G			
<b>2B</b>	Fan Contactor, 12A	YLAA0070	17, 28, 40	X or L	024-34300-000*	024-35444-000*	4
	Fan Contactor, 9A		46, 58		024-34302-000*	024-35441-000*	
	Fan Contactor, 12A		40, 46	G	024-34300-000*	N/A	
	Fan Contactor, 12A	YLAA0080	17, 28, 40, 46	X or L	024-34300-000*	024-35444-000*	4
	Fan Contactor, 9A		58		024-34302-000*	024-35441-000*	
	Fan Contactor, 12A		40, 46	G	024-34300-000*	N/A	
	Fan Contactor, 12A	YLAA0090	17, 28, 40	X or L	024-34300-000*	024-35444-000*	4
	Fan Contactor, 9A		46, 58		024-34302-000*	024-35441-000*	
	Fan Contactor, 12A		40, 46	G	024-34300-000*	N/A	
	Fan Contactor, 12A	YLAA0091	17, 28, 40	X or L	024-34300-000*	024-35444-000*	6
	Fan Contactor, 9A		46, 58		024-34302-000*	024-35441-000*	
	Fan Contactor, 12A		40, 46	G	024-34300-000*	N/A	
	Fan Contactor, 12A	YLAA0100, YLAA0101	17, 28, 40	X or L	024-34300-000*	024-35444-00 or 024-35477-000 (18A)*	4
			46			024-35444-00 or 024-35477-000 (18A)*	5
	Fan Contactor, 9A		58			024-34302-000*	024-35444-00 or 024-35477-000 (18A)*
	Fan Contactor, 12A	YLAA0100	40	G	024-34300-000*	N/A	5
		YLAA0101	46				6
	Fan Contactor, 18A	YLAA0115 - YLAA0120	17, 28	X or L	024-34304-000*	024-35447-000*	2
	Fan Contactor, 12A				024-34300-000*	024-35444-000*	4
	Fan Contactor, 12A		40		024-34300-000*	024-35444-000*	6
	Fan Contactor, 12A		46		024-34300-000*	024-35441-000 (9A)*	2
	Fan Contactor, 9A		46		024-34302-000*	024-35441-000 (9A)*	4
	Fan Contactor, 9A		58		024-34302-000*	024-35441-000 (9A)*	6
	Fan Contactor, 12A		YLAA0115 - YLAA0120		46	G	024-34300-000*
<b>2C</b>	Surge Suppressor, 250VAC	YLAA0070	17, 28	X or L	031-00808-000	031-00808-000	6
	Surge Suppressor, 110-240VAC		40, 46, 58		031-02110-000		
	Surge Suppressor, 110-240VAC		40, 46	G	031-02110-000	N/A	
	Surge Suppressor, 250VAC	YLAA0080	17, 28	X or L	031-00808-000	031-00808-000	6
	Surge Suppressor, 110-240VAC		40, 46, 58		031-02110-000		
	Surge Suppressor, 110-240VAC		40, 46	G	031-02110-000	N/A	
	Surge Suppressor, 250VAC	YLAA0090	17, 28	X or L	031-00808-000	031-00808-000	5
	Surge Suppressor, 110-240VAC		40, 46, 58		031-02110-000		4
	Surge Suppressor, 110-240VAC		40, 46	G	031-02110-000	N/A	4

**TABLE 30 - POWER PANEL COMPONENTS - YLAA0070 - YLAA0120,  
 SINGLE POINT CIRCUIT BREAKER (BX) (CONT'D)**

ITEM	DESCRIPTION	MODEL	VOLTAGE (PIN 11 & 12)	FANS	CURRENT PART NUMBER*	PREVIOUS PART NUMBER(S)*	QTY	
<b>2C</b>	Surge Suppressor, 250VAC	YLAA0091	17, 28	X or L	031-00808-000	031-00808-000	4	
	Surge Suppressor, 110-240VAC		40, 46, 58		031-02110-000		2	
	Surge Suppressor, 250VAC				031-00808-000		2	
	Surge Suppressor, 110-240VAC		40, 46	G	031-02110-000	N/A	2	
	Surge Suppressor, 250VAC				031-00808-000		2	
	Surge Suppressor, 250VAC	YLAA0100, YLAA0101	17, 28	X or L	031-00808-000	031-00808-000	5	
	Surge Suppressor, 110-240VAC		40, 46, 58		031-02110-000		N/A	3
			46	G	031-02110-000			
	Surge Suppressor, 250VAC	YLAA0115 - YLAA0120	All	X or L	031-00808-000	031-00808-000	4	
Surge Suppressor, 250VAC	YLAA0115 - YLAA0120	46	G	031-00808-000	N/A	4		
<b>3A</b>	Compressor Contactor, 80A	YLAA0070	17	X or L	024-34310-000*	025-35470-000*	6	
			28			025-35470-000 or 024-35467-00 (65A)*		
			40, 46, 58			024-37040-000*		024-35462-000*
	Compressor Contactor, 50A			40, 46	G	024-37040-000*	N/A	
	Compressor Contactor, 80A	YLAA0080	17	X or L	024-34310-000*	025-35470-000*	6	
			28			025-35470-000 or 024-35467-00 (65A)*		
			40			024-37041-000*		024-35467-00 or 024-35462-000 (50A)*
			46, 58			024-37040-000*		024-35462-000*
			Compressor Contactor, 65A			40, 46		G
	Compressor Contactor, 80A	YLAA0090	17	X or L	024-34310-000*	024-35470-000 or 024-34294-000 (150A)*	4	
			28			024-35470-000 or 024-35467-000 (65A)*		
			40			024-37041-000*		024-35467-000 or 024-35462-000 (50A)*
			46, 58			024-37040-000*		024-35462-000 or 024-35470-000 (80A)*
			Compressor Contactor, 65A			40, 46		G

**TABLE 30 - POWER PANEL COMPONENTS - YLAA0070 - YLAA0120,  
SINGLE POINT CIRCUIT BREAKER (BX) (CONT'D)**

ITEM	DESCRIPTION	MODEL	VOLTAGE (PIN 11 & 12)	FANS	CURRENT PART NUMBER*	PREVIOUS PART NUMBER(S)*	QTY	
3A	Compressor Contactor, 150A	YLAA0091	17, 28	X or L	024-34294-000*	024-35470-000 (80A)*	2	
	Compressor Contactor, 80A				024-34310-000*	024-35470-000 or 024-34294-000 (150A)*		
	Compressor Contactor, 115A	YLAA0091	40	X or L	024-37042-000*	024-35467-000 (65A) or 024-35473-000 (95A)*	2	
	Compressor Contactor, 65A				024-37041-000*			
	Compressor Contactor, 50A		46, 58		024-37040-000*	024-35462-000*		
	Compressor Contactor, 80A				024-34310-000*	024-35470-000*		
	Compressor Contactor, 115A		40		G	024-37042-000*		N/A
	Compressor Contactor, 65A					024-37041-000*		
	Compressor Contactor, 50A	46	G	024-37040-000*	N/A			
	Compressor Contactor, 80A			024-34310-000*				
	Compressor Contactor, 80A	YLAA0100, YLAA0101	17, 28	X or L	024-34310-000*	024-35470-000 or 024-34294-000 (150A)*	3	
	Compressor Contactor, 65A		40		024-37041-000*	024-35467-000 or 024-35473-000 (95A)*		
	Compressor Contactor, 50A		46, 58		024-37040-000*	024-35462-000 or 024-35470-000 (80A)*		
	Compressor Contactor, 50A		46	G	024-37040-000*	N/A		
Compressor Contactor, 150A	YLAA0115 - YLAA0120	17	X or L	024-34294-000*	024-34294-000*	4		
		28						
Compressor Contactor, 115A		40		024-37042-000*	024-35473-000 (95A)*			
Compressor Contactor, 80A		46, 58		024-34310-000*	024-35470-000*			
Compressor Contactor, 80A	YLAA0115, YLAA0120	46	G	024-34310-000*	N/A	4		

**TABLE 30 - POWER PANEL COMPONENTS - YLAA0070 - YLAA0120,  
 SINGLE POINT CIRCUIT BREAKER (BX) (CONT'D)**

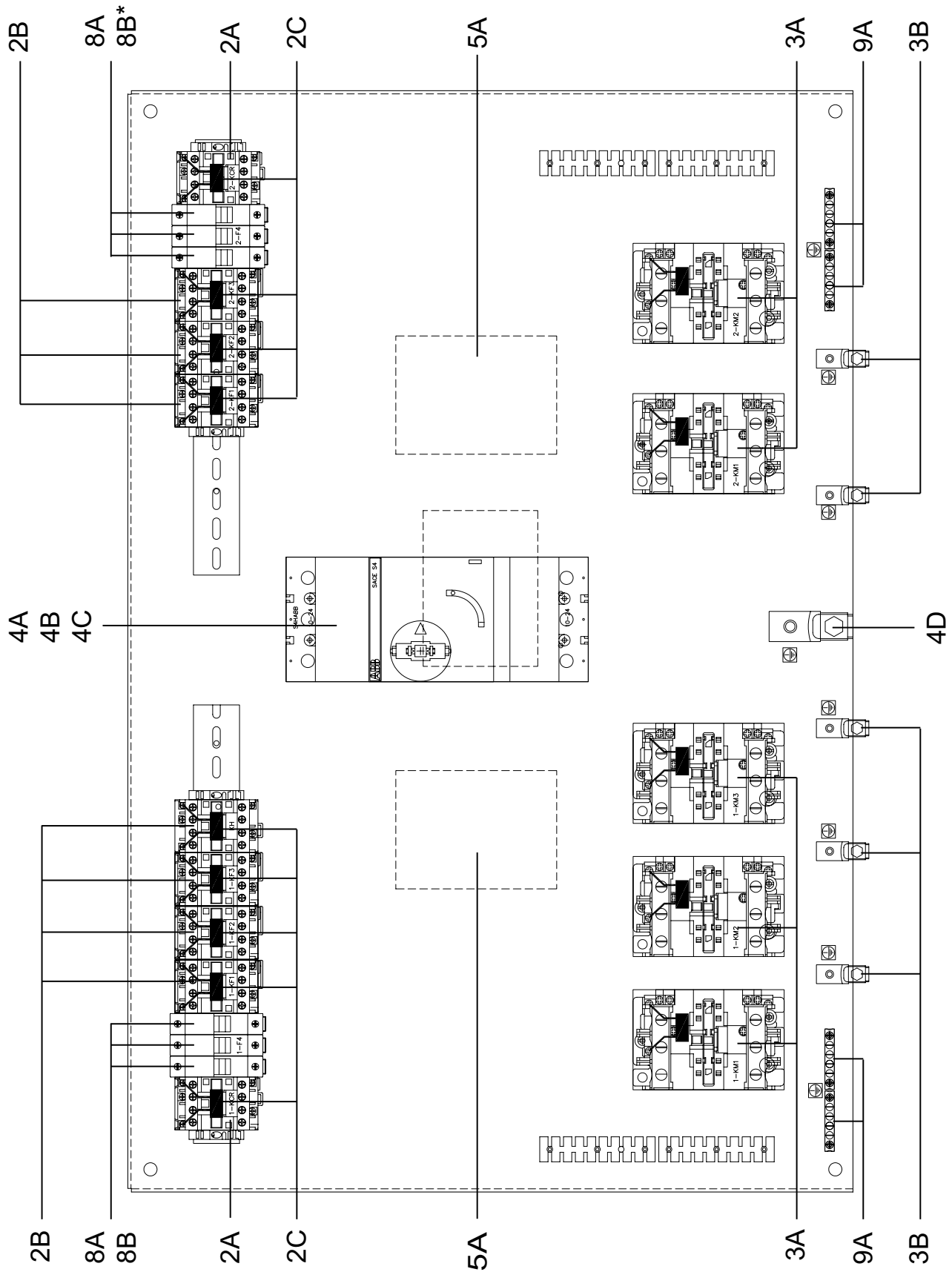
ITEM	DESCRIPTION	MODEL	VOLTAGE (PIN 11 & 12)	FANS	CURRENT PART NUMBER*	PREVIOUS PART NUMBER(S)*	QTY
<b>3B</b>	Ground Lug	YLAA0070	All	X or L	025-34088-000	025-34088-000	6
			40	G	025-34088-000	N/A	6
			46		025-34455-000		
	Ground Lug	YLAA0080	All	X or L	025-34088-000	025-34088-000	6
			40	G	025-34455-000	N/A	
			46		025-34088-000		
	Ground Lug	YLAA0090	28	X or L	025-34088-000	025-34088-000	4
			40, 46, 58		025-34089-000		3
					025-34088-000		5
			40, 46	G	025-34088-000	N/A	5
	Ground Lug	YLAA0091	17, 28	X or L	025-34089-000	025-34088-000	2
			40, 46, 58		025-34088-000		
			40, 46	G	025-34088-000	N/A	4
	Ground Lug	YLAA0100, YLAA0101	17, 28	X or L	025-34089-000	025-34088-000	2
			40, 46, 58		025-34088-000		3
			46	G	025-34088-000	N/A	5
	Ground Lug	YLAA0115 - YLAA0120	17, 28	X or L	025-34089-000	025-34088-000	4
			40, 46, 58		025-34088-000		
46			G	025-34088-000	N/A		
<b>4A</b>	Circuit Breaker, 400A	YLAA0070	17, 28	X or L	024-35976-000	025-34424-000	1
	Circuit Breaker, 250A		40, 46, 58		024-35974-000	025-34419-000	
	Circuit Breaker, 250A		40, 46	G	024-35974-000	N/A	
	Circuit Breaker, 400A	YLAA0080	17, 28	X or L	024-35976-000	025-34424-000	1
	Circuit Breaker, 250A		40, 46, 58		024-35974-000	025-34419-000	
	Circuit Breaker, 250A		40, 46	G	024-35974-000	N/A	
	Circuit Breaker, 600A	YLAA0090	17, 28	X or L	024-37004-000	025-34424-000	1
	Circuit Breaker, 400A		40		024-35976-000	025-34419-000	
	Circuit Breaker, 250A		46, 58		024-35974-000		
	Circuit Breaker, 400A		40	G	024-35976-000	N/A	
	Circuit Breaker, 250A	46	024-35974-000				
	Circuit Breaker, 600A	YLAA0091	17, 28	X or L	024-37004-000	025-34425-000	1
	Circuit Breaker, 400A		40		024-35976-000	025-34424-000	
	Circuit Breaker, 250A		46, 58		024-35974-000		
	Circuit Breaker, 400A		40	G	024-35976-000	N/A	
	Circuit Breaker, 250A	46	024-35974-000		N/A		
	Circuit Breaker, 600A	YLAA0100, YLAA0101	17, 28	X or L	024-37004-000	025-34425-000	1
	Circuit Breaker, 400A	YLAA0100, YLAA0101	40, 46	X or L	024-35976-000	025-34424-000	1
Circuit Breaker, 250A	58		024-35974-000		025-34419-000		
Circuit Breaker, 400A	46		G	024-35976-000	N/A		
Circuit Breaker, 250A				024-35974-000	N/A		

**TABLE 30 - POWER PANEL COMPONENTS - YLAA0070 - YLAA0120,  
SINGLE POINT CIRCUIT BREAKER (BX) (CONT'D)**

ITEM	DESCRIPTION	MODEL	VOLTAGE (PIN 11 & 12)	FANS	CURRENT PART NUMBER*	PREVIOUS PART NUMBER(S)*	QTY	
4A	Circuit Breaker, 600A	YLAA0115 - YLAA0120	17, 28	X or L	024-37004-000	025-34425-000	1	
	Circuit Breaker, 400A		40, 46, 58		024-35976-000	025-34424-000		
	Circuit Breaker, 400A		46	G	024-35976-000	N/A		
4C	Operator Mechanism	YLAA0070, YLAA0080	All	X or L	024-37558-000	024-31878-000	1	
			40, 46	G		N/A		
	Operator Mechanism	YLAA0090, YLAA0091	17, 28	X or L	025-34409-000	024-31878-000	1	
			40, 46, 58		G	024-37558-000		024-31878-000
	Operator Mechanism	YLAA0100, YLAA0101	17, 28	X or L		025-34409-000	024-31878-000	1
			40, 46, 58		G	024-37558-000	N/A	
	Operator Mechanism	YLAA0115 - YLAA0120	40, 46	X or L		025-34409-000	024-31878-000	1
			17, 28		024-37558-000			
			40	G	025-34409-000, 024-37559-000	N/A		
	4D	Ground Lug	YLAA0070	All	X or L	025-34089-000	025-34089-000	2
				40		G	025-34085-000	N/A
				46	025-34089-000			
Ground Lug		YLAA0080	All	X or L	025-34089-000	025-34089-000	1	
			40		G	025-34085-000		N/A
			46	025-34089-000				
Ground Lug		YLAA0090	17, 28	X or L	025-34409-000, 024-37559-000	025-34089-000	1	
			40, 46, 58		025-34089-000			
			40, 46	G	025-34085-000	N/A		
Ground Lug		YLAA0091	17, 28	X or L	025-34085-000	025-34089-000	1	
			40, 46, 58		025-34089-000			
			40	G	025-34085-000	N/A		
			46		025-34089-000			
Ground Lug		YLAA0100, YLAA0101	17, 28	X or L	025-34085-000	025-34089-000	1	
			40, 46, 58		025-34089-000			
			46	G	025-34085-000	N/A		
Ground Lug		YLAA0115 - YLAA0120	17, 28	X or L	025-34085-000	025-34089-000	1	
Ground Lug		YLAA0115 - YLAA0120	17, 28	X or L	025-34089-000	025-34089-000	4	
			40		025-34085-000		1	
			46					
	58							
Ground Lug	YLAA0115 - YLAA0120	46	G	025-34085-000	N/A	1		

**TABLE 30 - POWER PANEL COMPONENTS - YLAA0070 - YLAA0120,  
 SINGLE POINT CIRCUIT BREAKER (BX) (CONT'D)**

ITEM	DESCRIPTION	MODEL	VOLTAGE (PIN 11 & 12)	FANS	CURRENT PART NUMBER*	PREVIOUS PART NUMBER(S)*	QTY
8A	Fuse Holder	All	All	X or L	025-37863-000, 025-39952-000	025-37863-000	2
			40, 46	G		N/A	
9A	Ground Bar	All	All	X or L	025-35685-000	025-35685-000	4
			40, 46	G		N/A	



\* See Table 28 on Page 82.

**FIGURE 14 - POWER PANEL COMPONENTS**

**TABLE 31 - POWER PANEL COMPONENTS - YLAA0070 - YLAA0120, SINGLE POINT NON-FUSED DISCONNECT SWITCH WITH INDEPENDENT SYSTEM CIRCUIT BREAKERS (DB)**

ITEM	DESCRIPTION	MODEL	VOLTAGE (PIN 11 & 12)	CURRENT PART NUMBER*	PREVIOUS PART NUMBER(S)*	QTY.
<b>2A</b>	Fan Control Relay	All	All	024-37045-000	024-35526-000	3
<b>2B</b>	Fan Contactor, 12A	YLAA0070, YLAA0080, YLAA0090	17, 28, 40	024-34300-000*	024-35444-000*	4
	Fan Contactor, 9A		46, 58	024-34302-000*	024-35441-000*	
	Fan Contactor, 12A	YLAA0091	17, 28, 40	024-34300-000*	024-35444-000*	6
	Fan Contactor, 9A		46, 58	024-34302-000*	024-35441-000*	
	Fan Contactor, 12A	YLAA0100, YLAA0101	17, 28, 40	024-34300-000*	024-35444-000 or 024-35447-000 (18A)*	4
	Fan Contactor, 9A		46, 58	024-34302-000*	024-35441-00 or 024-35477-000 (18A)*	2
	Fan Contactor, 12A	YLAA0115 - YLAA0120	17, 28	024-34300-000*	024-35444-000 or 024-35477-000 (18A)*	4
			40		024-35444-000*	6
	Fan Contactor, 12A		46	024-34300-000*	024-35441-000 (9A)*	2
	Fan Contactor, 9A		46	024-34302-000*	024-35441-000*	4
	Fan Contactor, 9A		58	024-34302-000*		6
	<b>2C</b>		Surge Suppressor, 250VAC	YLAA0070, YLAA0080	17, 28	031-00808-000
Surge Suppressor, 110-240VAC		40, 46, 58	031-02110-000			
Surge Suppressor, 250VAC		YLAA0090	17, 28	031-00808-000	031-00808-000	5
Surge Suppressor, 110-240VAC			40, 46, 58	031-02110-000		4
Surge Suppressor, 250VAC		YLAA0091	17, 28	031-00808-000	031-00808-000	4
Surge Suppressor, 110-240VAC			40, 46, 58	031-02110-000		2
Surge Suppressor, 250VAC		YLAA0100, YLAA0101	17, 28	031-00808-000	031-00808-000	5
Surge Suppressor, 110-240VAC			40, 46, 58	031-02110-000		3
Surge Suppressor, 250VAC		YLAA0115 - YLAA0120	All	031-00808-000	031-00808-000	4

**TABLE 31 - POWER PANEL COMPONENTS - YLAA0070 - YLAA0120, SINGLE POINT NON-FUSED DISCONNECT SWITCH WITH INDEPENDENT SYSTEM CIRCUIT BREAKERS (DB) (CONT'D)**

ITEM	DESCRIPTION	MODEL	VOLTAGE (PIN 11 & 12)	CURRENT PART NUMBER*	PREVIOUS PART NUMBER(S)*	QTY.	
3A	Compressor Contactor, 80A	YLAA0070	17	024-34310-000*	024-35470-000*	6	
			28		025-35470-000 or 024-35467-00 (65A)*		
			40, 46, 58	024-37040-000*	024-35462-000*	6	
	Compressor Contactor, 80A	YLAA0080	17, 28	024-34310-000*	025-35470-000*	6	
			Compressor Contactor, 65A	40	024-37041-000*	025-35467-000 or 024-35462-00 (50A)*	3
			Compressor Contactor, 50A	46, 58	024-37040-000*	024-35462-000*	6
	Compressor Contactor, 80A	YLAA0090	17	024-34310-000*	024-35470-000 or 024-34294-000 (150A)*	4	
			28		024-35470-000 or 024-35467-000 (65A)*		
			Compressor Contactor, 65A	40	024-37041-000*	024-35467-000 or 024-35462-000 or (50A)*	4
			Compressor Contactor, 50A	46, 58	024-37040-000*	024-35462-000 or 024-35470-000 (80A)*	4
	Compressor Contactor, 150A	YLAA0091	17, 28	024-34294-000*	024-34294-000*	2	
				Compressor Contactor, 80A	024-34310-000*	024-35470-000*	2
	Compressor Contactor, 115A	YLAA0091	40	024-37042-000*	024-35462-000 (50A)*	2	
				Compressor Contactor, 65A	024-37041-000*	024-35467-000*	2
			Compressor Contactor, 80A	46, 58	024-34310-000*	024-35470-000*	2
					Compressor Contactor, 50A	024-37040-000*	024-35462-000*
	Compressor Contactor, 80A	YLAA0100, YLAA0101	17, 28	024-34310-000*	024-35470-000 or 024-34294-000 (150A)*	3	
			Compressor Contactor, 65A	40	024-37041-000*		024-35467-000 or 024-35473-000 (95A)*
			Compressor Contactor, 50A	46, 58	024-37040-000*		024-35462-000 or 024-35470-000 (80A)*
	Compressor Contactor, 150A	YLAA0115 - YLAA0120	17, 28	024-34294-000*	024-34294-000	4	
			Compressor Contactor, 115A	40	024-37042-000*		024-35473-000 (95A)*
Compressor Contactor, 80A			46, 58	024-34310-000*	024-35470-000*		

**TABLE 31 - POWER PANEL COMPONENTS - YLAA0070 - YLAA0175, SINGLE POINT NON-FUSED DISCONNECT SWITCH WITH INDEPENDENT SYSTEM CIRCUIT BREAKERS (DB) (CONT'D)**

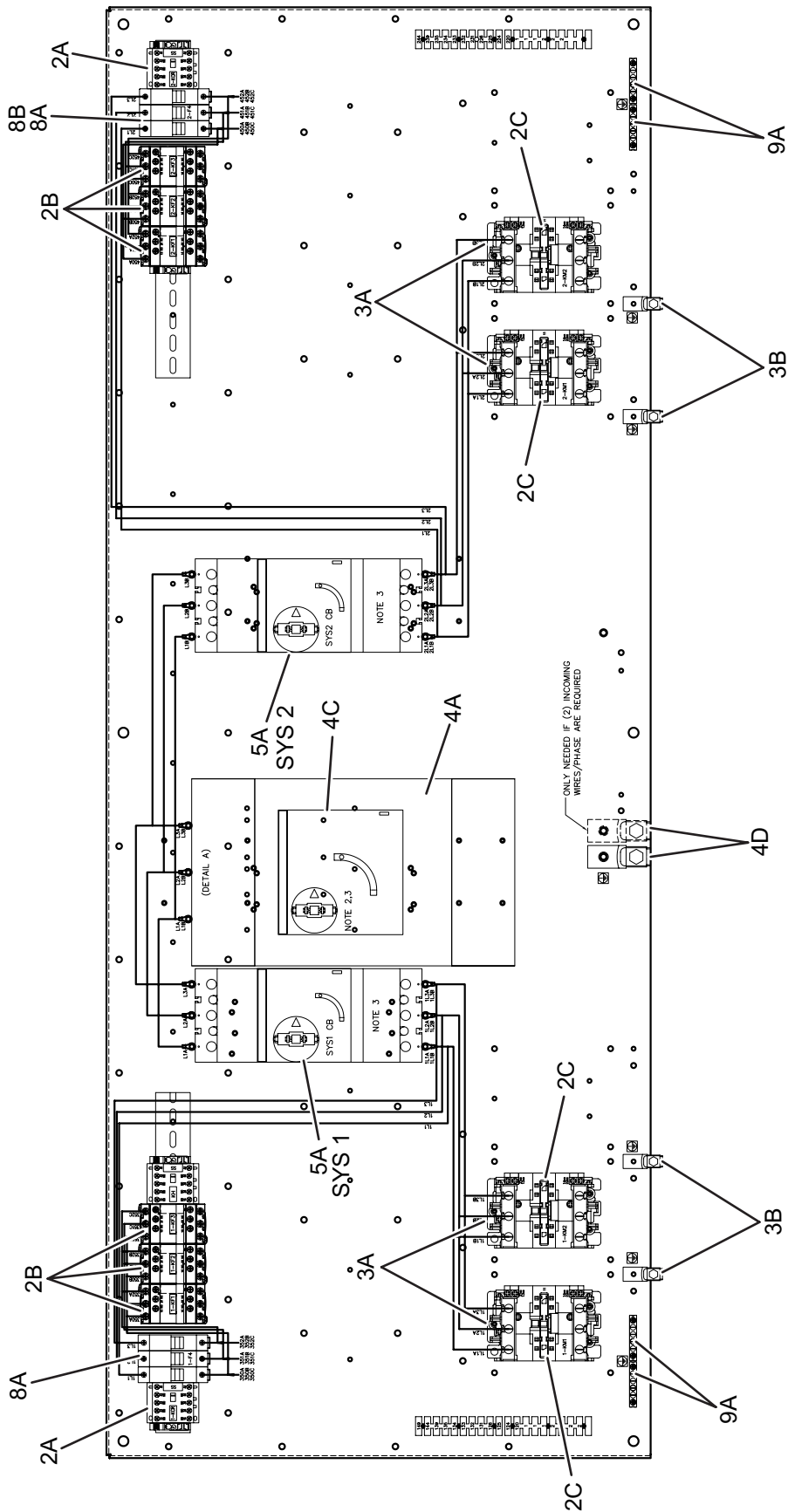
ITEM	DESCRIPTION	MODEL	VOLTAGE (PIN 11 & 12)	CURRENT PART NUMBER*	PREVIOUS PART NUMBER(S)*	QTY.
3B	Ground Lug	YLAA0070, YLAA0080	All	025-34088-000	025-34088-000	6
	Ground Lug	YLAA0090	17, 28	025-34088-000	025-34088-000	4
			40, 46, 58	025-34089-000		3
				025-34088-000		5
	Ground Lug	YLAA0091	17, 28	025-34088-000	025-34088-000	2
			40, 46, 58	025-34089-000		4
				025-34088-000		
	Ground Lug	YLAA0100, YLAA0101	17, 28	025-34088-000	025-34088-000	3
			40, 46, 58	025-34089-000		2
				025-34088-000		5
3B	Ground Lug	YLAA0115 - YLAA0120	17, 28	025-34089-000	025-34088-000	4
			40, 46, 58	025-34088-000		
4A	Non-Fused Disconnect Switch	YLAA0070	17, 28	024-37499-000	024-30965-000	1
			40, 46, 58	024-35975-000, 024-37497-000	024-30963-000	
	Non-Fused Disconnect Switch	YLAA0080	17, 28	024-37499-000	024-30965-000	1
			40	024-37498-000	024-30964-000	
			46, 58	024-35975-000, 024-37497-000	024-30963-000	
	Non-Fused Disconnect Switch	YLAA0090	17, 28	024-37499-000	024-30965-000	1
			40	024-37498-000	024-30964-000	
			46, 58	024-35975-000, 024-37497-000	024-30963000	
	Non-Fused Disconnect Switch	YLAA0091	17, 28	024-37499-000	024-30965-000	1
			40, 46	024-37498-000	024-30964-000	
			58	024-35975-000, 024-37497-000	024-30963-000	
	Non-Fused Disconnect Switch	YLAA0100, YLAA0101	17, 28	024-37499-000	024-30965-000	1
			40	024-37498-000	024-30964-000	
			46, 58		024-30963-000	
	Non-Fused Disconnect Switch	YLAA0115 - YLAA0120	17, 28	024-37499-000	024-31889-000	1
			40		024-30964-000	
46, 58			024-37498-000			
4C	Operator Mechanism	YLAA0070, YLAA0080, YLAA0090, YLAA0091, YLAA0100, YLAA0101	17, 28	025-34409-000	024-31878-000	1
			40, 46, 58	024-37558-000		
	Operator Mechanism	YLAA0115 - YLAA0120	17, 28, 40	025-34409-000	024-31878-000	1
			46, 58	024-37558-000		

**TABLE 31 - POWER PANEL COMPONENTS - YLAA0070 - YLAA0175, SINGLE POINT NON-FUSED DISCONNECT SWITCH WITH INDEPENDENT SYSTEM CIRCUIT BREAKERS (DB) (CONT'D)**

ITEM	DESCRIPTION	MODEL	VOLTAGE (PIN 11 & 12)	CURRENT PART NUMBER*	PREVIOUS PART NUMBER(S)*	QTY.
4D	Ground Lug	YLAA0070, YLAA0080	All	025-34089-000	025-34085-000	1
	Ground Lug	YLAA0090	17, 28	025-34409-000, 024-37559-000	025-34089-000	1
			40, 46, 58	025-34089-000	025-34085-000	
	Ground Lug	YLAA0091	17, 28, 40, 46	025-34085-000	025-34085-000	1
			58	025-34089-000		
	Ground Lug	YLAA0100, YLAA0101	17, 28	025-34085-000	025-34085-000	1
			40, 46, 58	025-34089-000		
	Ground Lug	YLAA0115 - YLAA0120	17, 28	025-34085-000	025-34085-000	1
025-34089-000				4		
025-34085-000				1		
5A	Circuit Breaker, 250A (SYS 1 and 2)	YLAA0070	17, 28, 40	024-35974-000	025-34419-000 and 024-31842-000	2
			46, 58	024-35973-000		
	Circuit Breaker, 250A (SYS 1)	YLAA0080	46, 58	024-35974-000	025-34419-000	1
				024-35973-000	024-31482-000	
	Circuit Breaker, 250A (SYS 1 and 2)	YLAA0090	17, 28, 40, 46	024-35974-000	025-34419-000 and 024-31842-000	2
				58	024-35973-000	025-34419-000
	Circuit Breaker, 100A (SYS 2)				024-35974-000	024-31482-000
	Circuit Breaker, 250A (SYS 1 and 2)	YLAA0091	17, 28	024-35976-000	025-34419-000	2
8A	Fuse Holder	All	All	025-37863-000, 025-39952-000	025-37863-000	2

Notes:

1. See *Figure 15* for component locations.
2. \* Make a visual inspection of the contactors in order to select the correct replacement part, refer to *Table 33*.
3. Items 2A and 2B are recommended spare parts.
4. Fans are Standards or Ultra Quiet only.



LD16190

**FIGURE 15 - SINGLE POINT NON-FUSED DISCONNECT SWITCH WITH INDEPENDENT SYSTEM CIRCUIT BREAKERS (DB)**

**TABLE 32 - POWER PANEL COMPONENTS - YLAA0070 - YLAA0120, MULTI POINT NON-FUSED DISCONNECT SWITCH WITH INDEPENDENT SYSTEM CIRCUIT BREAKERS (MB)**

ITEM	DESCRIPTION	MODEL	VOLTAGE (PIN 11 & 12)	PART NUMBER	QUANTITY
2	Circuit Breaker, 250A	YLAA0070	17, 28 and 40	024-35974-000	1
	Circuit Breaker, 100A		46 and 58	024-35973-000	1
	Circuit Breaker, 250A	YLAA0080 and YLAA0090	17, 28, 40 and 46	024-35974-000	1
	Circuit Breaker, 100A		58	024-35973-000	1
	Circuit Breaker, 400A	YLAA0091	17 and 28	024-35976-000	1
	Circuit Breaker, 250A		40, 46 and 58	024-35974-000	1
	Circuit Breaker, 250A	YLAA0100 & YLAA0101	17, 28, 40 and 46	024-35974-000	1
	Circuit Breaker, 100A		58	024-35973-000	1
	Circuit Breaker, 400A	YLAA0115 - YLAA0120	17 and 28	024-35976-000	1
	Circuit Breaker, 250A		40, 46 and 58	024-35974-000	1
2B, 3B	Handle Kit	All	All	029-23477-000	1
	Handle	YLAA0070 - YLAA0120	All	029-23476-000	1
	Operator Mechanism	YLAA0070 - YLAA0120	All	024-37558-000	1
	Shaft	YLAA0070 - YLAA0120	All	025-35696-000	1
3	Circuit Breaker, 250A	YLAA0070 and YLAA0080	17, 28 and 40	024-35974-000	1
	Circuit Breaker, 100A		46 and 58	024-35973-000	1
	Circuit Breaker, 400A	YLAA0090 - YLAA0120	17 and 28	024-35976-000	1
	Circuit Breaker, 250A		40, 46 and 58	024-35974-000	1
5	Fuse Block	All	All	025-37862-000 or 025-39951-000	2
6	Ground Bar	All	All	025-35685-000	4
8	Ground Lug	YLAA0070 and YLAA0080	All	025-34088-000	6
	Ground Lug	YLAA0090	All	025-34088-000	5
	Ground Lug	YLAA0091	17	025-34088-000	4
			28	025-34088-000	2
			40, 46 and 58	025-34089-000	2
	Ground Lug	YLAA0100 and YLAA0101	17 and 28	025-34088-000	4
			40, 46 and 58	025-34089-000	8
	Ground Lug	YLAA0115 - YLAA0120	17 and 28	025-34088-000	5
40, 46 and 58			025-34089-000	4	
9	Fuse, 30A	YLAA0070 - YLAA0091	All	025-39683-000	6
	Fuse, 30A	YLAA0100 and YLAA0101	17 and 28	025-39683-000	9
			40	025-39683-000	3
			46	025-39683-000	6
			58	025-39683-000	3
	Fuse, 30A	YLAA0115 - YLAA0120	17 and 28	025-39683-000	12
Fuse, 30A	40, 46 and 58		025-39683-000	6	
10	Fuse Block	YLAA0070	17	025-37863-000 or 025-39952-000	1
	Fuse Block		28, 40, 46 and 58	025-37863-000 or 025-39952-000	2
	Fuse Block	YLAA0080 - YLAA0120	All	025-37863-000 or 025-39952-000	2

**TABLE 32 - POWER PANEL COMPONENTS - YLAA0070 - YLAA0120, MULTI POINT NON-FUSED DISCONNECT SWITCH WITH INDEPENDENT SYSTEM CIRCUIT BREAKERS (MB) (CONT'D)**

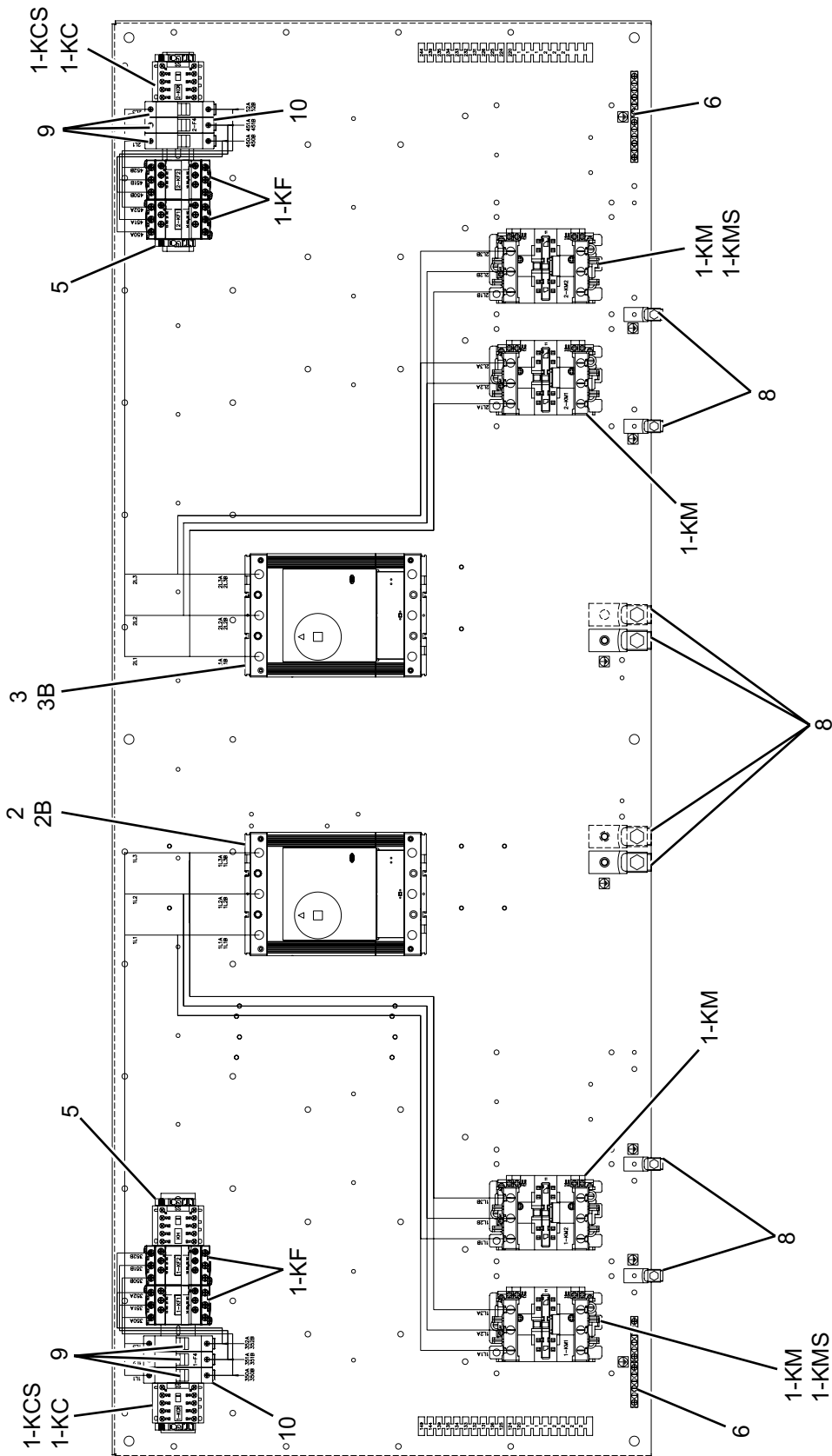
ITEM	DESCRIPTION	MODEL	VOLTAGE (PIN 11 & 12)	PART NUMBER	QUANTITY
1-KC	Fan Control Relay	All	All	024-35526-000	3
1-KCS	Surge Suppressor	All	All	031-02107-000	3
1-KF	Fan Contactor, 12A	YLAA0070 - YLAA0090	All	024-34300-000	4
	Fan Contactor, 12A	YLAA0091	17, 28 and 40	024-34300-000	6
	Fan Contactor, 9A		46 and 58	024-34302-000	6
	Fan Contactor, 18A	YLAA0100 and YLAA0101	17, 28 and 40	024-34304-000	1
	Fan Contactor, 12A			024-34300-000	4
	Fan Contactor, 12A		46	024-34300-000	5
	Fan Contactor, 9A		58	024-34302-000	2
	Fan Contactor, 12A			024-34300-000	3
1-KF	Fan Contactor, 18A		YLAA0115 - YLAA0120	17	024-34304-000
	Fan Contactor, 12A	024-34300-000			4
	Fan Contactor, 18A	28		024-34304-000	2
	Fan Contactor, 12A			024-34300-000	4
	Fan Contactor, 12A	40		024-34300-000	6
	Fan Contactor, 12A	46		024-34300-000	2
	Fan Contactor, 9A			024-34302-000	4
	Fan Contactor, 9A	58		024-34302-000	6
1-KM	Compressor Contactor, 80A	YLAA0070	17 and 28	024-34310-000	6
	Compressor Contactor, 50A		40, 46 and 58	024-37040-000	6
	Compressor Contactor, 80A	YLAA0080	17 and 28	024-34310-000	6
	Compressor Contactor, 65A			40	024-37041-000
	Compressor Contactor, 50A		024-37040-000	3	
	Compressor Contactor, 50A	46 and 58	024-37040-000	6	
	Compressor Contactor, 150A	YLAA0090	17 and 28	024-34294-000	1
	Compressor Contactor, 80A			024-34310-000	4
	Compressor Contactor, 115A		40	024-37042-000	1
	Compressor Contactor, 65A			024-37041-000	4
	Compressor Contactor, 80A		46 and 58	024-34310-000	1
	Compressor Contactor, 50A			024-37040-000	4
	Compressor Contactor, 150A	YLAA0091	17 and 28	024-34294-000	2
	Compressor Contactor, 80A			024-34310-000	2
	Compressor Contactor, 115A		40	024-37042-000	2
	Compressor Contactor, 65A			024-37041-000	2
Compressor Contactor, 50A	46 and 58		024-37040-000	2	
Compressor Contactor, 80A			024-34310-000	2	

**TABLE 32 - POWER PANEL COMPONENTS - YLAA0070 - YLAA0120, MULTI POINT NON-FUSED DISCONNECT SWITCH WITH INDEPENDENT SYSTEM CIRCUIT BREAKERS (MB) (CONT'D)**

ITEM	DESCRIPTION	MODEL	VOLTAGE (PIN 11 & 12)	PART NUMBER	QUANTITY
1-KM	Compressor Contactor, 150A	YLAA0100 and YLAA0101	17 and 28	024-34294-000	2
	Compressor Contactor, 80A			024-34310-000	3
	Compressor Contactor, 115A		40	024-37042-000	2
	Compressor Contactor, 65A			024-37041-000	3
	Compressor Contactor, 80A		46 and 58	024-34310-000	2
	Compressor Contactor, 50A			024-37040-000	3
	Compressor Contactor, 150A	YLAA0115 - YLAA0120	17 and 28	024-34294-000	4
	Compressor Contactor, 115A		40	024-37042-000	4
	Compressor Contactor, 80A		46 and 58	024-34310-000	4
1-KMS	Surge Suppressor	YLAA0070 and YLAA0080	17 and 28	031-00808-000	6
			40, 46 and 58	031-02110-000	6
	Surge Suppressor	YLAA0090	17 and 28	031-00808-000	5
			40, 46 and 58	031-02110-000	4
	Surge Suppressor	YLAA0091	17 and 28	031-00808-000	4
			40, 46 and 58	031-02110-000	2
			40, 46 and 58	031-00808-000	2
	Surge Suppressor	YLAA0100 and YLAA0101	17 and 28	031-00808-000	5
			40, 46 and 58	031-02110-000	3
	Surge Suppressor	YLAA0115 - YLAA0120	All	031-00808-000	4

Notes:

1. See *Figure 16* for component locations.
2. \* Make a visual inspection of the contactors in order to select the correct replacement part, refer to *Table 13*.
3. Items 1-KC and 1-KF are recommended spare parts.
4. Fans are Standard or Ultra Quiet only.



LD16189

**FIGURE 16 - MULTI POINT NON-FUSED DISCONNECT SWITCH WITH INDEPENDENT SYSTEM CIRCUIT BREAKERS**

**TABLE 33 - CONTACTOR CROSS REFERENCE**

DESCRIPTION	NEW MANUFACTURERS PART NUMBER	OLD MANUFACTURERS PART NUMBER	NEW YORK PART NUMBER	OLD YORK PART NUMBER
Contactora, 3-Pole, 18A, 600V	LC1D18F7	RI1-D1810-G7	024-34304-000	024-35447-000
Contactora, 3-Pole, 65A, 600V	LC1D65AF7	RI1-D6511-G7	024-37041-000	024-35467-000
Contactora, 3-Pole, 80A, 600V	LC1D80F7	RI1-D8011-G7	024-34310-000	024-35470-000
Contactora, 3-Pole, 95A, 600V	N/A	RI1-D9511-G7	N/A	024-35473-000
Contactora, 3-Pole, 25A, 600V	LC1D25F7	RI1-D2510-G7	024-34305-000	024-35451-000
Contactora, 3-Pole, 50A, 600V	LC1D50AF7	RI1-D5011-G7	024-37040-000	024-35462-000
Contactora, 3-Pole, 9A, 600V	LC1D09F7	RI1-D0910-G7	024-34302-000	024-35441-000
Contactora, 3-Pole, 150A, 600V	LC1D150F7	TE-LC1D150-F7	024-34294-000	024-34294-000
Contactora, 3-Pole, 115A, 600V	LC1D115F7	N/A	024-37042-000	N/A
Contactora, 3-Pole, 32A, 600V	LC1D32F7	N/A	024-34306-000	N/A
Contactora, 3-Pole, 12A, 600V	LC1D12F7	RI1-D1210-G7	024-34300-000	024-35444-000

**TABLE 34 - LUG KITS (CIRCUIT BREAKER OR NON-FUSED DISCONNECT SWITCH)**

LUG KITS		FITS CB FRAME	AMP	WIRE SIZE	YORK LUG KIT PART NUMBER	LUGS PER KIT
CB-0294	ABB-K4TE	S4	250A	#6 - 350 kCMIL	025-34418-000	3
CB-0295	ABB-K5TF	S5	300A	250 - 500 kCMIL	025-34481-000	
CB-0296	ABB-K5TG	S5	400A	#3/0 - 250 kCMIL	025-34420-000	
CB-0297	ABB-K6TH	S6	600A	250 - 500 kCMIL	025-34414-000	
CB-0298	ABB-K6TJ	S6	800A	#2/0 - 400 kCMIL	025-34415-000	

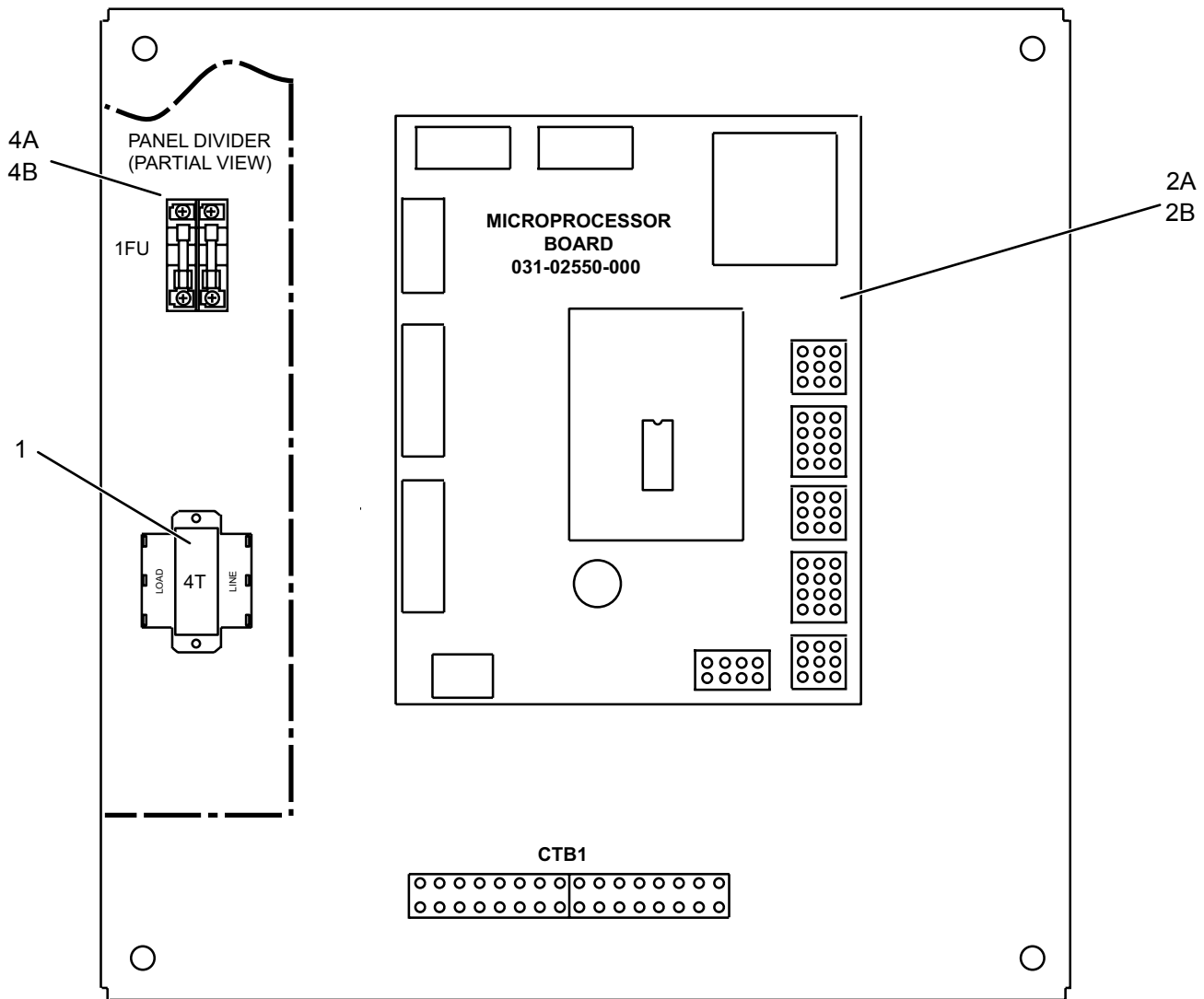
**TABLE 35 - POWER PANEL FUSE TABLE**

FUSE	SIZE	YORK PART NUMBER
FU-0494	600V 15A Time Delay	025-34141-000
FU-0746	600V 30A Time Delay	025-39683-000
FU-0495	600V 20A Time Delay	025-34142-000
FU-0490	600V 8A Time Delay	025-34137-000
FU-0493	600V 12A Time Delay	025-34140-000
FU-0496	600V 25A	025-41732-000

**TABLE 36 - CONTROL PANEL COMPONENTS**

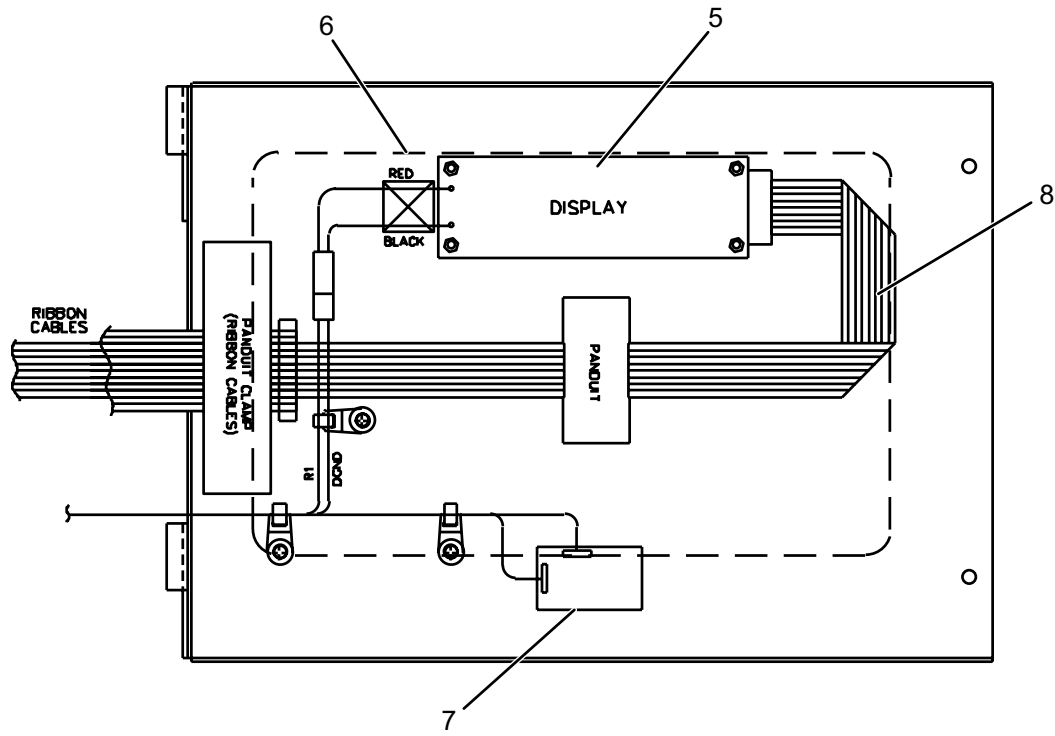
ITEM NUMBER	DESCRIPTION	YORK PART NUMBER	QUANTITY.	FIGURE
1	Transformer	025-27911-000	1	17
2A <sup>S</sup>	Micro / IO Board Kit	331-02550-101	1	
2B <sup>S</sup>	Flashcard	031-02755-004	1	
4A	Fuse Holder	025-34430-000	1	
4B	Fuse	025-34430-000 or 025-35905-000	1	18
5	Display	031-02749-000	1	
6	Keypad	024-36082-007	1	
7	Switch, On/Off	024-25517-000	1	
8	Ribbon Cable, Display	031-02108-000	1	

<sup>S</sup> Recommended Spare Part



203741-1b

**FIGURE 17 - CONTROL PANEL COMPONENTS**



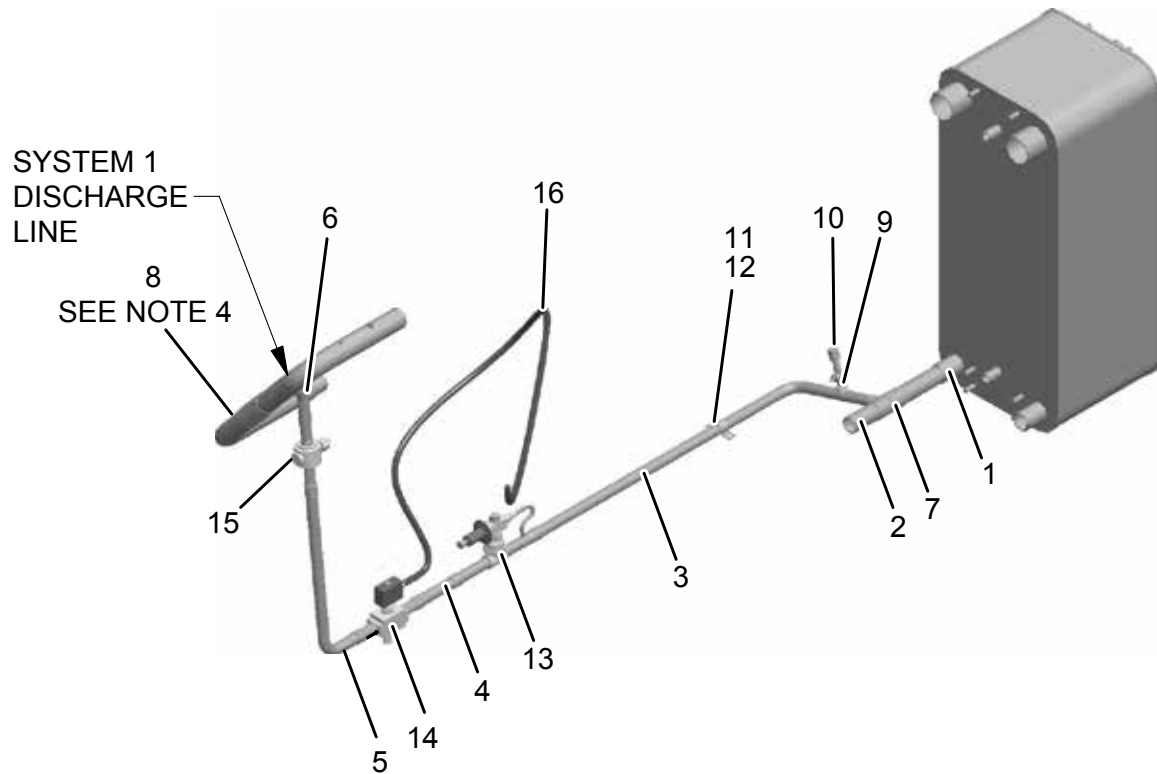
DISPLAY DOOR REAR VIEW

LD05167C

FIGURE 18 - CONTROL PANEL COMPONENTS

**TABLE 37 - HOT GAS BY-PASS**

ITEM	DESCRIPTION	MODEL	PIN 32	PART NUMBER	SAP	FIGURE
1	Hot Gas Pipe	YLAA0070 - YLAA0090	X	092-07688-023	830254	19
		YLAA0091 - YLAA0120		092-07688-393	857615	
		YLAA0070 - YLAA0090	E	092-07688-023	830254	
		YLAA0091 - YLAA0120		092-07688-393	857615	
2	Hot Gas Pipe	YLAA0070 - YLAA0090	X	092-07688-022	830253	19
		YLAA0091 - YLAA0120		092-07688-394	857616	
		YLAA0070 - YLAA0090	E	092-07688-398	857136	
		YLAA0091 - YLAA0120		092-07688-397	857619	
3	Hot Gas Pipe	YLAA0070 - YLAA0090	X	092-07688-020	830252	19
		YLAA0091 - YLAA0120		092-07688-235	857142	
		YLAA0070 - YLAA0090	E	092-07688-020	830252	
		YLAA0091 - YLAA0120		092-07688-235	857142	
4	Hot Gas Pipe	YLAA0070 - YLAA0090	X	092-07688-019	830251	19
		YLAA0091 - YLAA0120		092-07688-236	857143	
		YLAA0070 - YLAA0090	E	092-07688-019	830251	
		YLAA0091 - YLAA0120		092-07688-236	857143	
5	Hot Gas Pipe	YLAA0070 - YLAA0090	X	092-07688-018	830050	19
		YLAA0091 - YLAA0120		092-07688-237	857144	
		YLAA0070 - YLAA0090	E	092-07688-018	830050	
		YLAA0091 - YLAA0120		092-07688-237	857144	
6	Hot Gas Pipe	YLAA0070	X	092-07688-017	830049	19
		YLAA0080 - YLAA0090		092-07688-103	830255	
		YLAA0091		092-07688-238	857145	
		YLAA0100, YLAA0101		092-07688-391	857613	
		YLAA0115, YLAA0120		092-07688-392	857614	
		YLAA0070	E	092-07688-017	830049	
		YLAA0080 - YLAA0090		092-07688-103	830255	
		YLAA0091		092-07688-238	857145	
		YLAA0100, YLAA0101		092-07688-391	857613	
		YLAA0115, YLAA0120		092-07688-392	857614	
7	Tee	YLAA0100, YLAA0101	X, E	023-00289-000	371708	19
8	Tee	YLAA0115, YLAA0120	X, E	023-02680-000	731667	19
9	Saddle	YLAA0070 - YLAA120	X, E	023-20076-001	733123	19
10	Valve Stop	YLAA0070 - YLAA120	X, E	022-00009-000	257712	19
11	Clamp	YLAA0070 - YLAA120	X, E	075-50979-078	518760	19
12	Screw Cap	YLAA0070 - YLAA120	X, E	021-31337-000	536603	19
13	Valve Solenoid	YLAA0070 - YLAA120	X, E	025-40962-000	739962	19
14	Valve Solenoid	YLAA0070 - YLAA120	X, E	025-41558-000	739986	19
15	Valve Ball	YLAA0070 - YLAA120	X, E	022-11742-000	731434	19
16	Wiring Harness	YLAA0070 - YLAA120	X, E	575-72382-227	808306	19



LD16782

**NOTES:**

1. Harness should not come in contact with hot piping or compressor housing.
2. Process per M-166
3. Braze all copper to copper joints per MOS-15-2-16 (item 14).
4. Use only dry nitrogen inside tubing and joints for all brazing. Do not immerse joints in water for cooling.
5. Locate and cut discharge line to install tee.
6. When installing hot gas valve, the arrow on the valve must point in direction of expansion valve as shown.

**FIGURE 19 - HOT GAS BY-PASS**

**TABLE 38 - LOW AMBIENT STANDARD KIT**

ITEM	DESCRIPTION	MODEL	PART NUMBER	SAP	FIGURE
2	Kit, Cable	YLAA0070 - YLAA0090	392-07698-321	844141	*
		YLAA0100	392-07698-341	844142	
		YLAA0101	392-07698-342	856402	
		YLAA0115 - YLAA0120	392-07698-301	817392	
3	Kit, Low Amb Sys. #1	YLAA0070 - YLAA0090	575-72382-234**	631203	21
		YLAA0091	N/A	N/A	
		YLAA0100 - YLAA0120	575-72382-233**	808311	
4	Kit, Low Amb Sys. #2	YLAA0070 - YLAA0080	575-72382-236**	808312	21
		YLAA0090 - YLAA0091	N/A	N/A	
		YLAA0100 - YLAA0120	575-72382-235**	631204	
8	Harness Sys. #1 Low Amb Kit	YLAA0070 - YLAA0120	575-72382-239**	808315	20
9	Harness Sys. #2 Low Amb Kit	YLAA0070 - YLAA0100, YLAA0115, YLAA0120	575-72382-240**	808316	20
		YLAA0101	N/A	N/A	
10	Harness Sys. #1 Low Amb Kit	YLAA0070 - YLAA0120	575-72382-241**	808317	20
11	Harness Sys. #2 Low Amb Kit	YLAA0070 - YLAA0100, YLAA0115, YLAA0120	575-72382-242**	808318	20
		YLAA0101	N/A	N/A	
14	Valve, Solenoid 3/8"	YLAA0070 - YLAA0090, YLAA0100 - YLAA0120	025-42198-000	435830	21
		YLAA0091	N/A	N/A	
15	Conduit Flex Angle	YLAA0070 - YLAA0120	025-31316-000	435091	20
16	VFD66, Control Fan Speed	YLAA0070 - YLAA0120	024-35393-102	736280	20
	VFD66, Control Fan Speed (46V)		024-35393-101	711674	
17	Support Low Ambient	YLAA0070 - YLAA0120	075-55889-049	445829	20
18	Cover Low Ambient	YLAA0070 - YLAA0120	075-55889-050	445830	20
40	Red Sld Ftg	YLAA0070 - YLAA0090, YLAA0100 - YLAA0120	023-00208-000	435831	21
		YLAA0091	N/A	N/A	
41	Support Pipe Low Amb	YLAA0070 - YLAA0090, YLAA0100 - YLAA0120	075-74862-019	435840	21
		YLAA0091	N/A	N/A	
48	Cover Capacitor Low Amb Kit	YLAA0070 - YLAA0120	075-55889-051	446031	20
49	Connr Cnd Flex Strip	YLAA0100 - YLAA0120	025-08189-000	737214	
50	Heater, TXV	YLAA0100 - YLAA0120	025-42228-000	445740	20
101	Harness Sys. #1 Low Amb Kit	YLAA0070 - YLAA0120	575-72382-316**	446415	20
102	Harness Sys. #2 Low Amb Kit	YLAA0070 - YLAA0100, YLAA0115, YLAA0120	575-72382-317**	446416	20
		YLAA0101	N/A	N/A	
103	Wiring Harness 2 Conductor	YLAA0115 - YLAA0120	575-72382-339**	817418	20
104	Wiring Harness 2 Conductor	YLAA0100, YLAA0115 - YLAA0120	575-72382-340**	817419	20
		YLAA0101	575-72382-319**	808356	
105	Transformer Class 2	YLAA0100 - YLAA0120	025-27911-000	1312	20
106	Terminal	YLAA0100 - YLAA0120	025-39405-000	445012	20
107	Terminal, End Bracket	YLAA0100 - YLAA0120	025-39406-000	739625	20

**TABLE 38 - LOW AMBIENT STANDARD KIT (CONT'D)**

ITEM	DESCRIPTION	Model	PART NUMBER	SAP	FIGURE
108	Din Rail 6"	YLAA0100 - YLAA0120	025-41733-000	445014	20
109	TXW HTR Trans	YLAA0100 - YLAA0120	575-82818-001**	446420	20
110	TXW HTR Trans	YLAA0100 - YLAA0120	575-82818-002**	446421	20
111	TXW HTR Trans	YLAA0100 - YLAA0120	575-82818-003**	446422	20
112	TXW HTR Trans	YLAA0100 - YLAA0120	575-82818-004**	446423	20
113	Jumper (2 Pos)	YLAA0115 - YLAA0120	025-37678-000	445015	20

**NOTE:** \*\*Refer to *Table 41* for further breakdown of Wiring Harness.

**TABLE 39 - LOW AMBIENT EXPANSION VALVE**

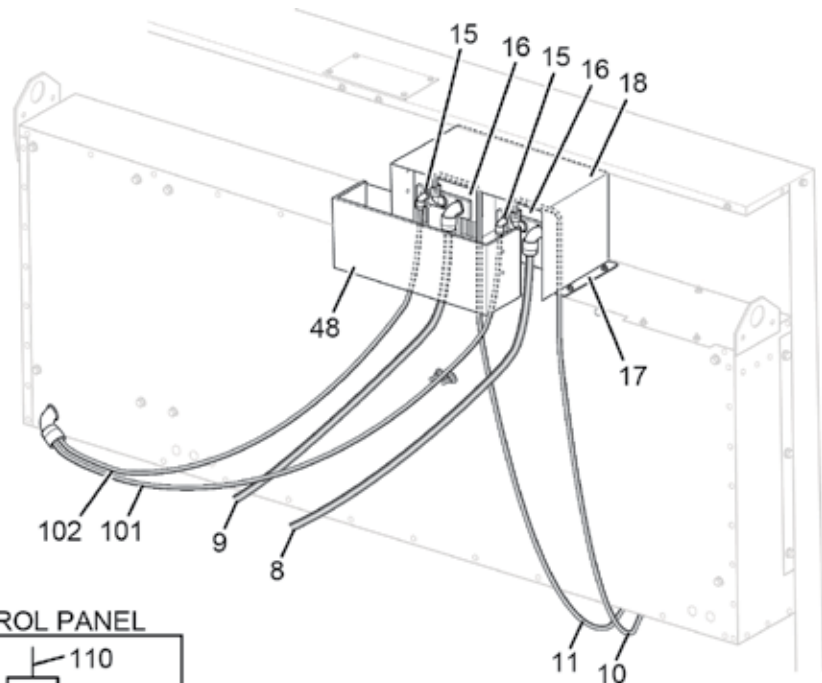
ITEM	DESCRIPTION	VOLTAGE (PIN 32 = E)	MODEL	PART NUMBER	SAP	FIGURE
2	Kit, Cable	17, 28, 46	YLAA0100, YLAA0115, YLAA0120	392-07698-321	844141	*
			YLAA0101	392-07698-322	856401	
3	Kit, Low Amb Sys. #1	17, 28, 46	YLAA0100 - YLAA0120	575-72382-233**	808311	21
4	Kit, Low Amb Sys. #2	17, 28, 46	YLAA0100 - YLAA0120	575-72382-235**	631204	21
8	Harness Sys. #1 Low Amb Kit	17, 28, 46	YLAA0100, YLAA0115, YLAA0120	575-72382-239**	808315	20
		17, 28, 46	YLAA0101	N/A	N/A	
9	Harness Sys. #2 Low Amb Kit	17, 28, 46	YLAA0100, YLAA0115, YLAA0120	575-72382-240**	808316	20
		17, 28, 46	YLAA0101	N/A	N/A	
10	Harness Sys. #1 Low Amb Kit	17, 28, 46	YLAA0100 - YLAA0120	575-72382-241**	808317	20
11	Harness Sys. #2 Low Amb Kit	17, 28, 46	YLAA0100, YLAA0115, YLAA0120	575-72382-242**	808318	20
		17, 28, 46	YLAA0101	N/A	N/A	
14	Valve, Solenoid 3/8"	17, 28, 46	YLAA0100 - YLAA0120	025-42198-000	435830	21
15	Conduit Flex Angle	17, 28, 46	YLAA0100 - YLAA0120	025-31316-000	435091	20
16	VFD66, Control Fan Speed	17, 28	YLAA0100 - YLAA0120	024-35393-102	736280	20
		46	YLAA0100 - YLAA0120	024-35393-101	711674	
17	Support Low Ambient	17, 28, 46	YLAA0100 - YLAA0120	075-55889-049	445829	20
18	Cover Low Ambient	17, 28, 46	YLAA0100 - YLAA0120	075-55889-050	445830	20
40	Red Sld Ftg	17, 28, 46	YLAA0100 - YLAA0120	023-00208-000	435831	21
41	Support Pipe Low Amb	17, 28, 46	YLAA0100 - YLAA0120	075-74862-019	435840	21
48	Cover Capacitor Low Amb Kit	17, 28, 46	YLAA0100 - YLAA0120	075-55889-051	446031	20
49	Connr Cnd Flex Strip	17, 28, 46	YLAA0100, YLAA0115, YLAA0120	N/A	N/A	*
		17, 28, 46	YLAA0101	025-08189-000	737214	
50	Heater, TXV	17, 28, 46	YLAA0100, YLAA0115, YLAA0120	N/A	N/A	20
		17, 28, 46	YLAA0101	025-42228-000	445740	
101	Harness Sys. #1 Low Amb Kit	17, 28, 46	YLAA0100 - YLAA0120	575-72382-316**	446415	20
102	Harness Sys. #2 Low Amb Kit	17, 28, 46	YLAA0100, YLAA0115, YLAA0120	575-72382-317**	446416	20
		17, 28, 46	YLAA0101	N/A	N/A	

**NOTE:** \*\*Refer to *Table 41* for further breakdown of Wiring Harness.

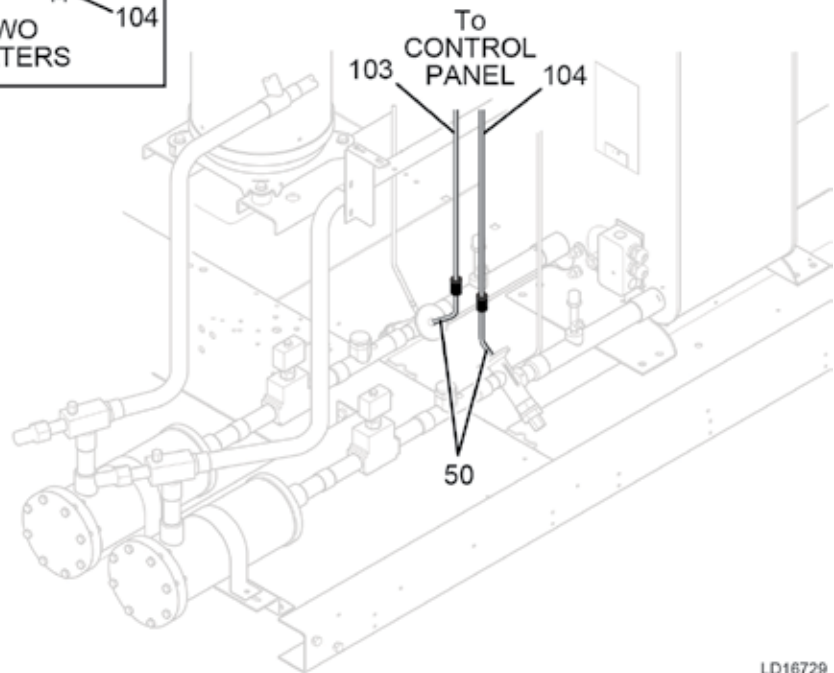
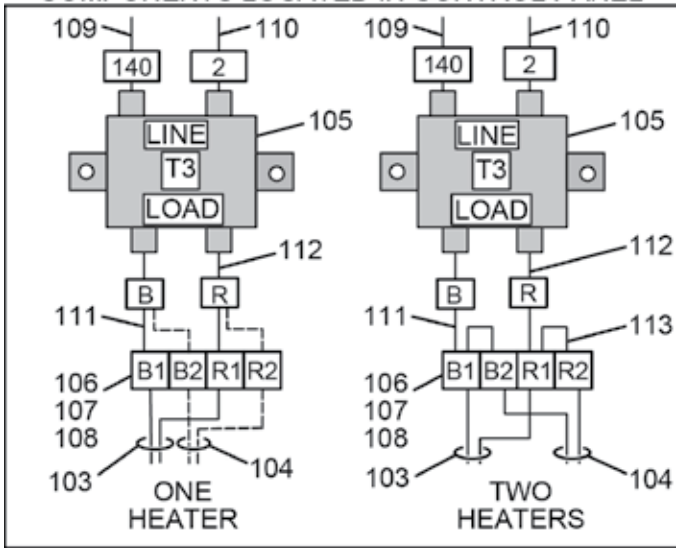
**TABLE 40 - LOW AMBIENT STARTUP KIT**

ITEM	DESCRIPTION	PART NUMBER	SAP	QUANTITY	FIGURE
3	Kit, Low Amb Sys #1	575-72382-233**	808311	1	21
4	Kit, Low Amb Sys #2 2-Yesv	575-72382-235**	631204	1	21
14	Valve Solenoid 3/8" Odf Conn	025-42198-000	435830	2	21
40	Red Sld Ftg X C 1/2 X 3/8	023-00208-000	435831	4	21
41	Support Pipe Low Amb	075-74862-019	435840	5	21
63	Electrical Kit Low Amb	375-71329-420	437780	1	*
	Harness, Start Up Kit	025-42269-002	437781	1	*
	Module Plug On Adjustment	025-42267-001	437529	2	*
	Timer Base	025-42267-002	437530	2	*
	Din Rail Adaptor	025-42267-003	437771	2	*

**NOTE:** \*\*Refer to *Table 41* for further breakdown of Wiring Harness.

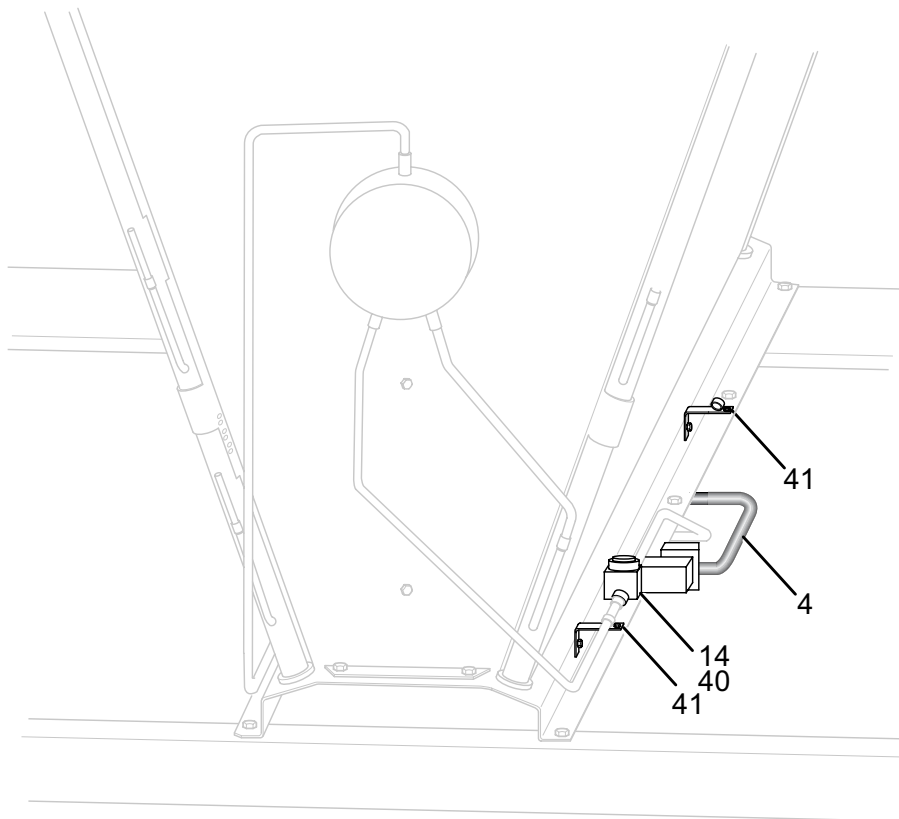
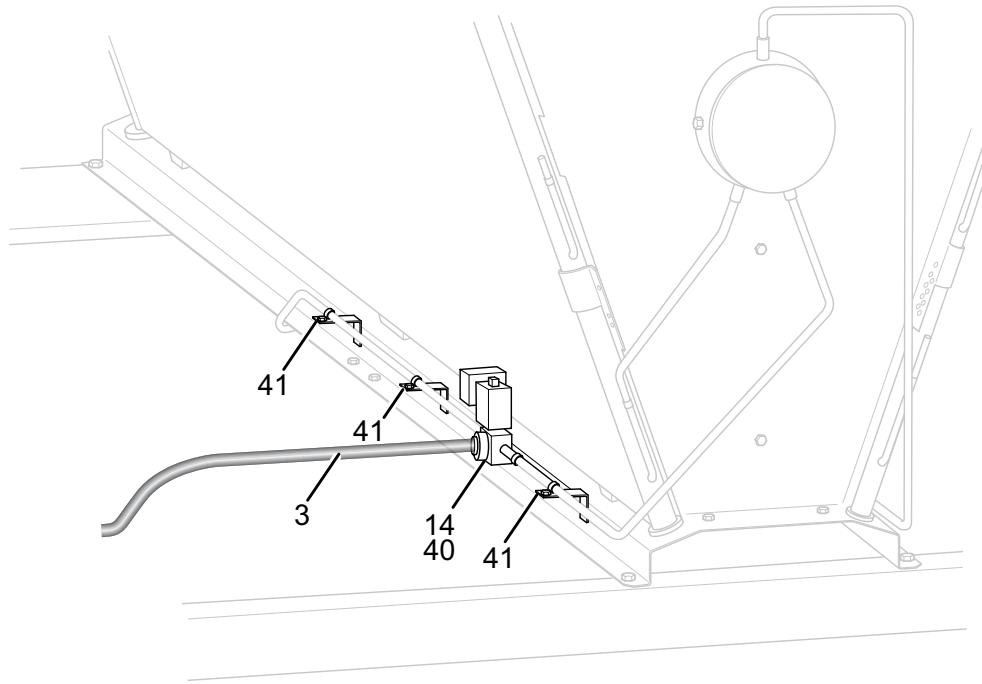


COMPONENTS LOCATED IN CONTROL PANEL



LD16729

FIGURE 20 - LOW AMBIENT KIT



LD16736

**FIGURE 21 - LOW AMBIENT KIT**

**TABLE 41 - LOW AMBIENT WIRING HARNESS DETAILS**

ITEM	DESCRIPTION	PART NUMBER	SAP	QUANTITY
<b>1</b>	<b>Kit, Low Ambient Sys #1 (1-YSEV)</b>	575-72382-234	631203	-
	Connector, 3/8" 90deg Angle (Panel End)	025-31315-000	618164	1
	Conduit, 3/8"	025-31302-000	618155	46"
	Connector, 3/8" Straight (Sensor End)	025-31309-000	117547	1
	Connector, Din Plug 43650 w/ Suppressor (Sensor End)	025-37876-000	117987	1
<b>1</b>	<b>Kit, Low Ambient Sys #1 (1-YESV)</b>	575-72382-233	808311	-
	Connector, 3/8" 90deg Angle (Panel End)	025-31315-000	618164	1
	Conduit, 3/8"	025-31302-000	618155	29"
	Connector, 3/8" Straight (Sensor End)	025-31309-000	117547	1
	Connector, Din Plug 43650 w/ Suppressor (Sensor End)	025-37876-000	117987	1
<b>2</b>	<b>Kit, Low Ambient Sys #1 (2-YESV)</b>	575-72382-235	631204	-
	Connector, 3/8" 90deg Angle (Panel End)	025-31315-000	618164	1
	Conduit, 3/8"	025-31302-000	618155	172"
	Connector, 3/8" Straight (Sensor End)	025-31309-000	117547	1
	Connector, Din Plug 43650 w/ Suppressor (Sensor End)	025-37876-000	117987	1
<b>2</b>	<b>Kit, Low Ambient Sys #1 (2-YESV)</b>	575-72382-236	808312	-
	Connector, 3/8" 90deg Angle (Panel End)	025-31315-000	618164	1
	Conduit, 3/8"	025-31302-000	618155	165"
	Connector, 3/8" Straight (Sensor End)	025-31309-000	117547	1
	Connector, Din Plug 43650 w/ Suppressor (Sensor End)	025-37876-000	117987	1
<b>3</b>	<b>Harness, Sys #1 Low Ambient Kit (Sys #1)</b>	575-72382-239	808315	-
	Connector, 1/2" 90deg Angle	025-31316-000	435091	1
	Conduit, 1/2"	025-30473-000	618151	50"
	Connector, 1/2" 90deg Angle (Sys #1 Inverter)	025-31316-000	435091	1
<b>4</b>	<b>Harness, Sys #2 Low Ambient Kit (Sys #2)</b>	575-72382-240	808316	-
	Connector, 1/2" 90deg Angle	025-31316-000	435091	1
	Conduit, 1/2"	025-30473-000	618151	60"
	Connector, 1/2" 90deg Angle (Sys #2 Inverter)	025-31316-000	435091	1
<b>5</b>	<b>Harness, Sys #1 Low Ambient Kit (Sys #1 Inv/Pnl)</b>	575-72382-241	808317	-
	Connector, 1/2" 90deg Angle (Power Panel)	025-31316-000	435091	1
	Conduit, 1/2"	025-30473-000	618151	49"
	Connector, 1/2" 90deg Angle (Sys #1 Inverter)	025-31316-000	435091	1
<b>6</b>	<b>Harness, Sys #2 Low Ambient Kit (Sys #2 Inv/Pnl)</b>	575-72382-242	808318	-
	Connector, 1/2" 90deg Angle (Power Panel)	025-31316-000	435091	1
	Terminal Pin (Panel End)	025-39452-000	833378	3
	Conduit, 1/2"	025-30473-000	618151	60"
	Connector, 1/2" 90deg Angle (Sys #1 Inverter)	025-31316-000	435091	1
<b>7</b>	<b>Harness, Sys #1 Low Ambient Kit (Sys #1 Low Ambient)</b>	575-72382-316	446415	-
	Housing, Connector Plug Mini	0205-29185-000	62736	1
	Mini Univ Socket (P17)	025-28386-000	737925	3
	3 Conductor Shielded Wire	025-30463-003	738503	84"
<b>8</b>	<b>Harness, Sys #1 Low Ambient Kit (Sys #2 Inverter)</b>	575-72382-317	446416	-
	Mini Univ Socket (P19)	025-28386-000	737925	3
	3 Conductor Shielded Wire	025-30463-003	738503	74"

**TABLE 41 - LOW AMBIENT WIRING HARNESS DETAILS (CONT'D)**

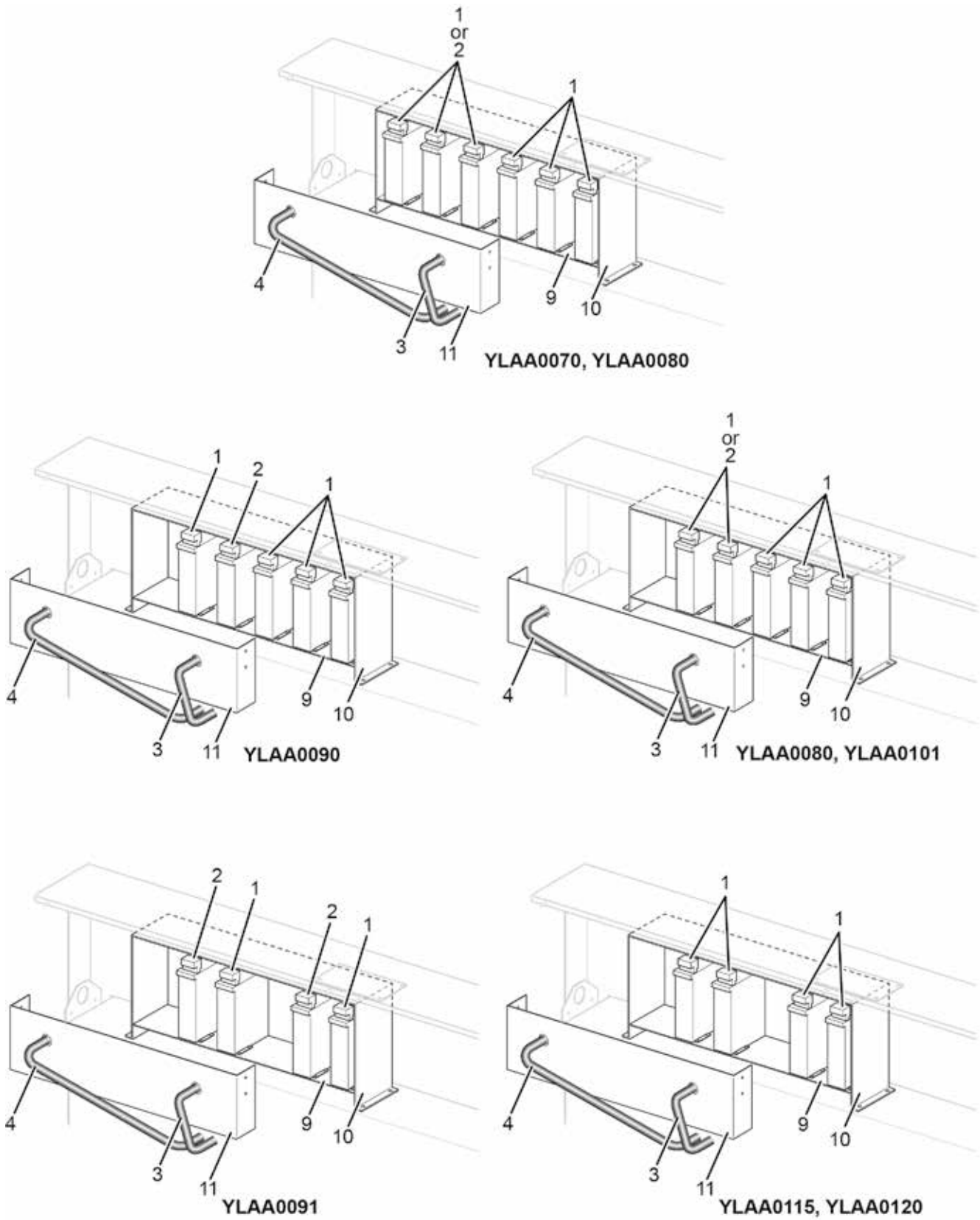
ITEM	DESCRIPTION	PART NUMBER	SAP	QUANTITY
<b>9</b>	<b>Harness, 2 Conductor (TXV Heater Sys #1)</b>	575-72382-339	817418	-
	2 Conductor Shielded Wire	025-30463-002	738502	104"
	Collar	025-28957-000	117435	2
	Contact Receptacle	025-28952-000	260	2
	Plug, Connector (TXV Heater End)	025-28951-000	62724	1
<b>10</b>	<b>Harness, 2 Conductor (TXV Heater Sys #2)</b>	575-72382-340	817419	-
	2 Conductor Shielded Wire	025-30463-002	738502	104"
	Collar	025-28957-000	117435	2
	Contact Receptacle	025-28952-000	260	2
	Plug, Connector (TXV Heater End)	025-28951-000	62724	1
<b>10</b>	<b>Harness, 2 Conductor (TXV Heater Sys #2)</b>	575-72382-319	808356	-
	2 Conductor Shielded Wire	025-32060-002	738502	40"
	Collar	025-28957-000	117435	2
	Contact Receptacle	025-28952-000	260	2
	Plug, Connector (TXV Heater End)	025-28951-000	62724	1
<b>11</b>	<b>Low Ambient Sys #1 (1-YESV)</b>	575-72382-233	808311	-
	3/8" 90deg Angle Connector (Panel End)	025-31315-000	618164	1
	Conduit, 3/8"	025-31302-000	618155	29"
	Connector, 3/8" Striaight (1-YESV)	025-31309-000	117547	1
	Din Plug w/ Suppressor (1-YESV)	025-37876-000	117987	1
<b>12</b>	<b>Low Ambient Sys #2 (2-YESV)</b>	575-72382-235	631204	-
	3/8" 90deg Angle Connector (Panel End)	025-31315-000	618164	1
	Conduit, 3/8"	025-31302-000	618155	172"
	Connector, 3/8" Striaight (1-YESV)	025-31309-000	117547	1
	Din Plug w/ Suppressor (1-YESV)	025-37876-000	117987	1
<b>13</b>	<b>Harness, Sys #1 Low Ambient Kit (SYS #1)</b>	575-72382-239	808315	-
	1/2" 90deg Angle Connector (Panel End)	025-31316-000	435091	1
	Conduit, 1/2"	025-30473-000	618151	50"
	1/2" 90deg Angle Connector (Inverter End)	025-31316-000	435091	1
<b>14</b>	<b>Harness, Sys #2 Low Ambient Kit (SYS #2)</b>	575-72382-240	808316	-
	1/2" 90deg Angle Connector (Panel End)	025-31316-000	435091	1
	Conduit, 1/2"	025-30473-000	618151	60"
	1/2" 90deg Angle Connector (Inverter End)	025-31316-000	435091	1
<b>15</b>	<b>Harness, Sys #1 Low Ambient Kit (SYS #1 Inv/Pnl)</b>	575-72382-241	808317	-
	1/2" 90deg Angle Connector (Panel End)	025-31316-000	435091	1
	Terminal Pin (Panel End)	025-39452-000	833378	3
	Conduit, 1/2"	025-30473-000	618151	50"
	1/2" 90deg Angle Connector (Inverter End)	025-31316-000	435091	1
<b>16</b>	<b>Harness, Sys #2 Low Ambient Kit (SYS #2 Inv/Pnl)</b>	575-72382-242	808318	-
	1/2" 90deg Angle Connector (Panel End)	025-31316-000	435091	1
	Terminal Pin (Panel End)	025-39452-000	833378	3
	Conduit, 1/2"	025-30473-000	618151	60"
	1/2" 90deg Angle Connector (Inverter End)	025-31316-000	435091	1

**TABLE 41 - LOW AMBIENT WIRING HARNESS DETAILS (CONT'D)**

ITEM	DESCRIPTION	PART NUMBER	SAP	QUANTITY
<b>17</b>	<b>Harness, Sys #1 Low Ambient Kit (SYS #1 Low Ambient)</b>	575-72382-316	446415	-
	Mini-Univ Socket (P17)	025-28386-000	737925	3
	3 Conductor Shielded Wire	025-30463-003	738503	84"
<b>18</b>	<b>Harness, Sys #2 Low Ambient Kit (SYS #2 Low Ambient)</b>	575-72382-317	446416	-
	Mini-Univ Socket (P19)	025-28386-000	737925	3
	3 Conductor Shielded Wire	025-30463-003	738503	74"
<b>19</b>	TXW HTR Trans	575-82818-001	446420	-
	Wire, #18 AWG Black	025-34003-000	738968	30"
	1/4" Insulated Stright Push-On	025-21156-000	618100	1
<b>20</b>	TXW HTR Trans	575-82818-002	446421	-
	Wire, #18 AWG Black	025-34003-000	738968	46"
	1/4" Insulated Straight Push-On	025-21156-000	618100	1
<b>21</b>	TXW HTR Trans	575-82818-003	446422	-
	Wire, #18 AWG Black	025-34003-000	738968	8"
	1/4" Insulated Straight Push-On	025-21156-000	618100	1
<b>22</b>	TXW HTR Trans	575-82818-004	446423	-
	Wire, #18 AWG Black	025-34003-000	738968	8"
	1/4" Insulated Straight Push-On	025-21156-000	618100	1

**TABLE 42 - POWER FACTOR CAPACITOR**

ITEM	DESCRIPTION	MODEL	VOLTAGE (PIN 11 & 12)	PART NUMBER	SAP	FIGURE
1	Capacitor, Power Factor	YLAA0080, YLAA0090, YLAA0100 - YLAA0101	17, 28	024-31615-000	735852	22
		YLAA0091, YLAA0115 - YLAA0120		024-31617-000	735854	
		YLAA0070		N/A	N/A	
	Capacitor Factor Correction	YLAA0070, YLAA0091, YLAA0115 - YLAA0120	40, 46	024-31626-000	735857	
		YLAA0080, YLAA0090, YLAA0100 - YLAA0101		024-31623-000	735855	
	Capacitor Factor Correction	YLAA0070, YLAA0091, YLAA0115 - YLAA0120	58	024-31631-000	735860	
	YLAA0080, YLAA0090, YLAA0100 - YLAA0101	024-31629-000		735858		
2	Capacitor, Power Factor	YLAA0070 - YLAA0080	17, 28	N/A	N/A	22
		YLAA0090, YLAA0100		024-31617-000	735854	
		YLAA0091, YLAA0120		024-31615-000	735852	
	Capacitor, Power Factor	YLAA0070, YLAA0115 - YLAA0120	40, 46	N/A	N/A	
		YLAA0080, YLAA0090, YLAA0100 - YLAA0101		024-31626-000	735857	
		YLAA0091		024-31623-000	735855	
	Capacitor, Power Factor	YLAA0070, YLAA0115 - YLAA0120	58	N/A	N/A	
		YLAA0080, YLAA0090, YLAA0100 - YLAA0101		024-31631-000	735860	
		YLAA0091		024-31629-000	735858	
3	PFC Sys. #1 (3 Comp System)	YLAA0070 - YLAA0090, YLAA0100 - YLAA0101	17, 28	575-72382-069	808194	22
	PFC Sys. #1 (2 Comp System)	YLAA0091, YLAA0115-YLAA0120		575-72382-071	535467	
4	PFC Sys. #2 (3 Comp System)	YLAA0070, YLAA0080	All	575-72382-070	808195	22
	PFC Sys. #2 (2 Comp System)	YLAA0090 - YLAA0120		575-72382-072	535468	
9	Support Capacitors Power	YLAA0070 - YLAA0120	All	075-71079-005	535469	22
10	Cover Capacitor Power Factor	YLAA0070 - YLAA0120	All	075-71079-006	535470	22
11	Cover Capacitor Power Factor	YLAA0070 - YLAA0120	All	075-71079-007	535494	22



LD16727

**FIGURE 22 - POWER FACTOR CAPACITOR**

**TABLE 43 - HEAT RECOVERY ASSEMBLY**

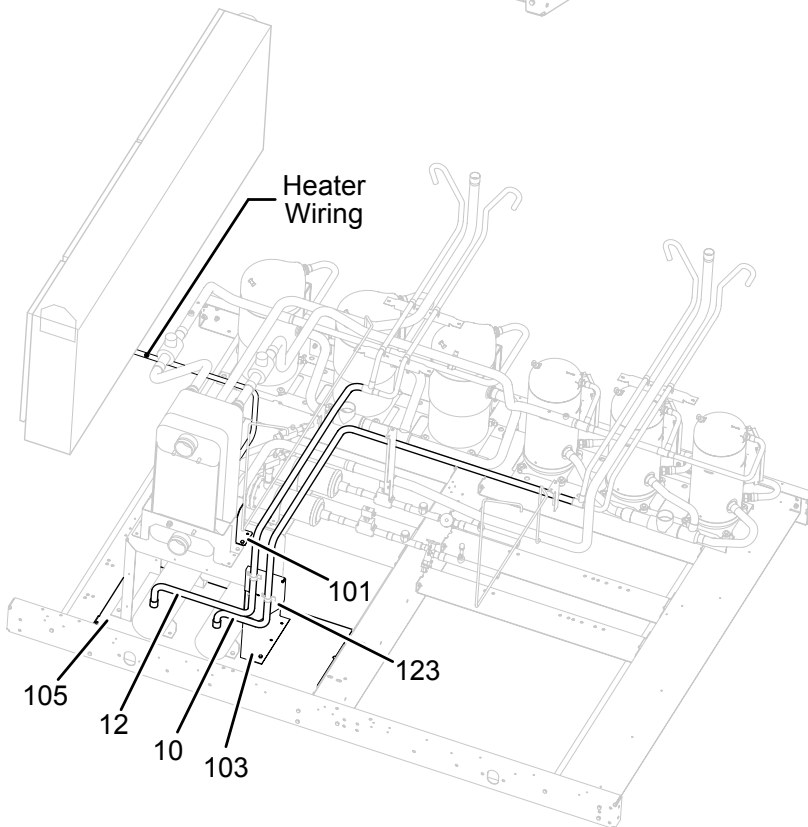
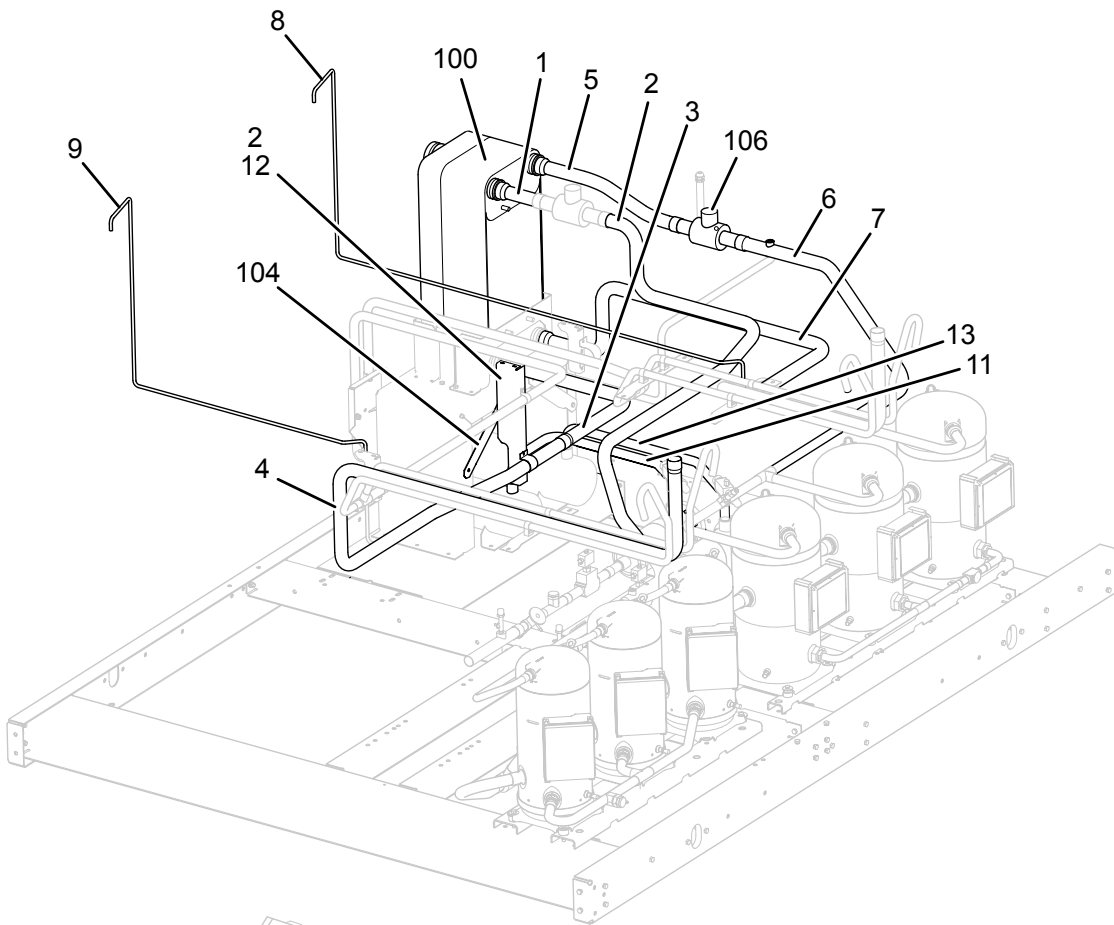
ITEM	DESCRIPTION	MODEL	PIN 32 =	PART NUMBER	SAP	FIGURE
1	Line Discharge HR System 2	YLAA0070 - YLAA0090	X, E	092-07688-166	845294	23, 24
		YLAA0091 - YLAA0120		075-82895-000	758902	
2	Line Discharge HR System 2	YLAA0070, YLAA0080	X, E	092-07688-170	845298	23, 24
		YLAA0090		092-07688-175	845303	
		YLAA0091 - YLAA0101		092-07688-302	856064	
		YLAA0115, YLAA0120		092-07688-311	856073	
3	Line Discharge HR System 2	YLAA0070 - YLAA0090	X, E	092-07688-165	845293	23, 24
		YLAA0091		092-07688-323	856081	
		YLAA0100 - YLAA0101		092-07688-307	856069	
		YLAA0115, YLAA0120	X	092-07688-310	856072	
		YLAA0115, YLAA0120	E	092-07688-307	856069	
4	Line Discharge HR System 2	YLAA0070 - YLAA0090	X, E	092-07688-171	845299	23
		YLAA0091 - YLAA0120		N/A	N/A	
5	Line Discharge HR System 1	YLAA0070 - YLAA0090	X, E	092-07688-169	845297	23, 24
		YLAA0091		092-07688-304	856066	
		YLAA0100 - YLAA0120		092-07688-308	856070	
6	Line Discharge HR System 1	YLAA0070 - YLAA0080	X, E	092-07688-167	845295	23
		YLAA0090		092-07688-174	845302	
		YLAA0091 - YLAA0120		N/A	N/A	
7	Line Discharge HR System 1	YLAA0070 - YLAA0090	X, E	092-07688-168	845296	23, 24
		YLAA0091 - YLAA0101		092-07688-293	856026	
		YLAA0115 - YLAA0120		092-07688-291	856024	
8	Line Hot Gas System 1	YLAA0070 - YLAA0090	X, E	092-07688-172	845300	23, 24
		YLAA0091		092-07688-294	856027	
		YLAA0100 - YLAA0120		092-07688-318	856079	
9	Line Hot Gas System 2	YLAA0070 - YLAA0090	X, E	092-07688-173	845301	23, 24
		YLAA0091		092-07688-295	856028	
		YLAA0100 - YLAA0120		N/A	N/A	
10	Liquid Line 1-1/8" HR	YLAA0070 - YLAA0090	X, E	092-07688-160	845020	23, 24
		YLAA0091		092-07688-290	856023	
		YLAA0101 - YLAA0120		092-07688-316	856077	
11	Liquid Line 1-1/8" HR	YLAA0070 - YLAA0090	X, E	092-07688-163	845291	23, 24
		YLAA0091		092-07688-292	856025	
		YLAA0101 - YLAA0120		092-07688-315	856076	
12	Liquid Line 1-1/8" HR	YLAA0070 - YLAA0090	X, E	092-07688-159	845019	23, 24
		YLAA0091 - YLAA0100		092-07688-291	856024	
		YLAA0101 - YLAA0120		092-07688-317	856078	
13	Liquid Line 1-1/8" HR	YLAA0070 - YLAA0090	X, E	092-07688-164	845292	23, 24
		YLAA0091 - YLAA0100		092-07688-296	856029	
		YLAA0101 - YLAA0120		092-07688-309	856071	
14	Liquid Line HR System 1	YLAA0070 - YLAA0090	X, E	N/A	N/A	24
		YLAA0091 - YLAA0120	X	092-07688-298	856061	
		YLAA0091 - YLAA0120	E	092-07688-305	856067	

**TABLE 43 - HEAT RECOVERY ASSEMBLY (CONT'D)**

ITEM	DESCRIPTION	Model	PIN 32 =	PART NUMBER	SAP	FIGURE
15	Liquid Line HR System 2	YLAA0070 - YLAA0090	X, E	N/A	N/A	24
		YLAA0091 - YLAA0100		092-07688-297	856030	
		YLAA0101 - YLAA0120		092-07688-314	856075	
16	Liquid Line HR System 2	YLAA0070 - YLAA0090	X, E	N/A	N/A	24
		YLAA0091 - YLAA0100	X	092-07688-300	856063	
		YLAA0091 - YLAA0120	E	092-07688-303	856065	
		YLAA0101 - YLAA0120	X	092-07688-312	856074	
17	Liquid Line HR System 1	YLAA0070 - YLAA0090	X, E	N/A	N/A	24
		YLAA0091 - YLAA0120		092-07688-299	856062	
18	Line Hot Gas System 1	YLAA0070 - YLAA0090	X, E	N/A	N/A	24
		YLAA0091 - YLAA0120		092-07688-306	856068	
19	Line Hot Gas System 2	YLAA0070 - YLAA0090	X, E	N/A	N/A	24
		YLAA0091 - YLAA0120		092-07688-173	845301	
20	Line Discharge Hr System 1	YLAA0070 - YLAA0101	X, E	N/A	N/A	24
		YLAA0115 - YLAA0120	X	N/A	N/A	
		YLAA0115 - YLAA0120	E	092-07688-310	856072	
100	Heat Exchanger DB400, 102 Plates Kit	YLAA0070 - YLAA0101	X, E	375-84467-100	552463	23, 24
	Heat Exchanger, 102 Plate			026-45615-102	409781	
	Heater 120 Volts, 35 Watts			025-42878-000	740166	
	Insulation Heat Exchanger			075-83052-001	401794	
	Insulation Heat Exchanger			075-83052-002	401796	
100	Heat Exchanger DB400, 66 Plates Kit	YLAA0080	X, E	375-84467-000	552462	23, 24
	Heat Exchanger, 66 Plate			026-45615-066	504079	
	Heater 120 Volts, 35 Watts			025-42878-000	740166	
	Insulation Heat Exchanger			075-83052-001	401794	
	Insulation Heat Exchanger			075-83052-002	401796	
100	Heat Exchanger Sub Assembly, 130 Plate Kit	YLAA0115, YLAA0120	X, E	375-84467-200	552464	23, 24
	Heat Exchanger, 130 Plate			026-45615-130	427752	
	Heater 120 Volts, 35 Watts			025-42878-000	740166	
	Insulation Heat Exchanger			075-83052-001	401794	
	Insulation Heat Exchanger			075-83052-002	401796	
101	Bracket Support Heat Exchanger	YLAA0070, YLAA0080	X, E	075-76401-000	394590	23
		YLAA0090 - YLAA0120		N/A	N/A	
102	Bracket Support Heat Exchanger	YLAA0070, YLAA0090	X, E	N/A	N/A	24
		YLAA0080		075-84305-000	504748	
		YLAA0091 - YLAA0120		075-76401-000	394590	
103	Bracket Support Heat Exchanger	YLAA0070 - YLAA0090	X, E	092-07700-020	845317	23, 24
		YLAA0091 - YLAA0120		092-07700-024	856111	
104	Brace Support Heat Exchange	YLAA0070 - YLAA0120	X, E	092-07700-018	845315	23, 24
105	Beam Support Heat Exchanger	YLAA0070, YLAA0080	X, E	092-07700-015	845314	23, 24
		YLAA0091 - YLAA0120		092-07700-023	856110	

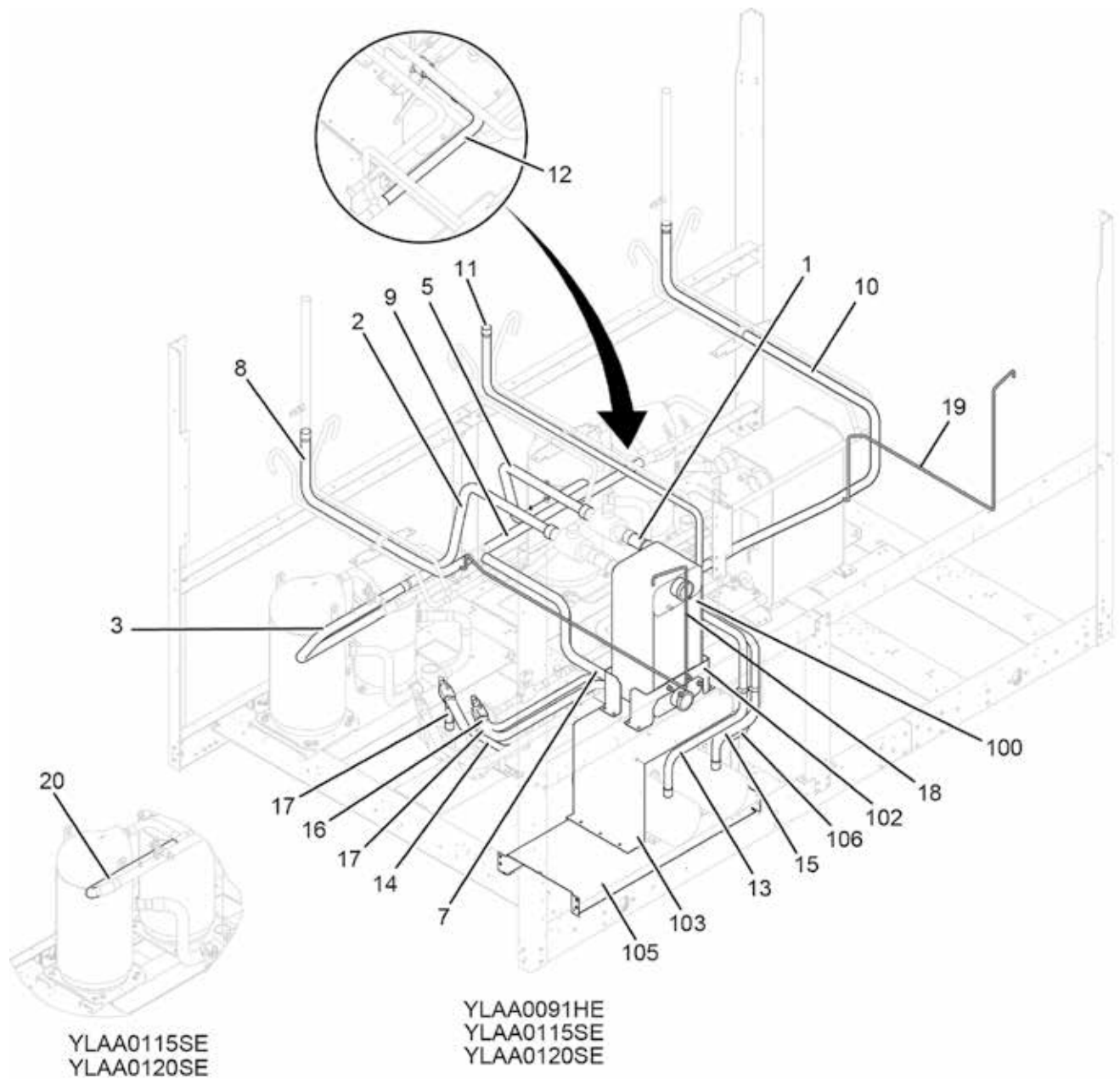
**TABLE 43 - HEAT RECOVERY ASSEMBLY (CONT'D)**

ITEM	DESCRIPTION	Model	PIN 32 =	PART NUMBER	SAP	FIGURE
106	Bracket Pipe Support	YLAA0070 - YLAA0090	X, E	022-08883-000	731236	23, 24
		YLAA0091 - YLAA0120		092-07700-019	845316	
122	Bracket Pipe Support	YLAA0070 - YLAA0090	X, E	075-75051-008	845018	23
		YLAA0091 - YLAA0120	X, E	N/A	N/A	
123	Bracket Pipe Support	YLAA0070 - YLAA0090	X, E	092-07700-019	845316	23
		YLAA0091 - YLAA0120		N/A	N/A	



**FIGURE 23 - HEAT RECOVERY ASSEMBLY (YLAA0070 - YLAA0090)**

LD16783



LD16784

**FIGURE 24 - HEAT RECOVERY ASSEMBLY (YLA0091 - YLA0120)**

**TABLE 44 - FIELD INSTALLED OPTIONS PART NUMBERS**

MODEL NUMBER YLAA	CHICAGO RELIEF VALVE	STANDARD 150# FLOW SWITCH	DIFFERENTIAL PRESSURE SWITCH	VICTAULIC FLANGE KIT		ACOUSTIC SOUND BLANKET KIT	HOTGAS BY-PASS SOLENOID VALVE W/ HARNESS KIT	
<b>MODEL</b>	022-10682	024-26116		023-19047	023-19048	010-06507	392-07695	392-07696
<b>0070</b>	-001	-000		-000	n/a	-007	-001	n/a
<b>0080</b>							-002	
<b>0090</b>								
<b>0091</b>								
<b>0100</b>								
<b>0101</b>								
<b>0115</b>								
<b>0120</b>								

**TABLE 45 - CONTROL TRANSFORMER**

DESCRIPTION	MODEL	VOLTAGE	KIT PART NUMBER	TRANSFORMER ONLY
Kit, Control Trans 200/3/60	YLAA0070-YLAA0120	17	392-07708-101	025-34493-000
		28	392-07708-102	025-37605-000
		40	392-07708-103	025-34493-000
		46	392-07708-104	025-37605-000
		58	392-07708-105	025-37633-000

**TABLE 46 - WIRE ENCLOSURE PANELS**

ITEM	DESCRIPTION	MODELS	PART NUMBER	SAP	FIGURE
1	Guard Coil	YLAA0070 - YLAA0090	026-46141-007	638484	26, 27
		YLAA0091 - YLAA0120	026-46141-007	638484	
3	Guard Coil	YLAA0070 - YLAA0120	026-45058-008	511233	26, 27
4	Guard Coil	YLAA0070 - YLAA0090	026-45058-001	510650	26, 27
		YLAA0091 - YLAA0120	026-45058-001	510650	
5	Guard Coil	YLAA0070 - YLAA0120	026-45058-005	511231	26, 27
6	Support Grill/Louver	YLAA0070 - YLAA0120	075-75047-006	435518	26, 27
8	Support Grill/Louver	YLAA0070 - YLAA0120	075-75047-007	435520	26, 27
9	Support Grill/ Louver	YLAA0070 - YLAA0090	N/A	N/A	27
		YLAA0091 - YLAA0115	075-75047-009	436027	
		YLAA0120	075-75047-009	436027	
10	Support Grill/Louver	YLAA0070 - YLAA0090	N/A	N/A	27
		YLAA0091 - YLAA0115	075-75047-004	438426	
		YLAA0120	075-75047-004	438426	
12	Support Grill/Louver	YLAA0070 - YLAA0120	075-75047-022	438427	26, 27
13	Support Grill/Louver	YLAA0070 - YLAA0090	075-75047-018	448039	26, 27
		YLAA0091 - YLAA0115	075-75047-019	438429	
		YLAA0120	075-75047-019	438429	
21	Guard Coil	YLAA0070 - YLAA0090	026-46141-009	638485	26
		YLAA0091 - YLAA0120	N/A	N/A	
22	Guard Coil	YLAA0070 - YLAA0090	026-45058-010	741219	26
23	Support Grill/Louver	YLAA0070 - YLAA0090	075-75047-011	448040	26
		YLAA0091 - YLAA0120	N/A	N/A	
24	Support Grill/Louver	YLAA0070 - YLAA0090	075-75047-012	448351	26
		YLAA0091 - YLAA0120	N/A	N/A	
31	Support Grill/Louver	YLAA0070 - YLAA0090	075-75047-019	438429	26
		YLAA0091 - YLAA0120	N/A	N/A	
32	Support Grill/Louver	YLAA0070 - YLAA0090	N/A	N/A	27
		YLAA0091 - YLAA0120	075-75047-020	438430	
49	Support Grill/Louver	YLAA0070 - YLAA0120	075-75047-001	757569	26, 27

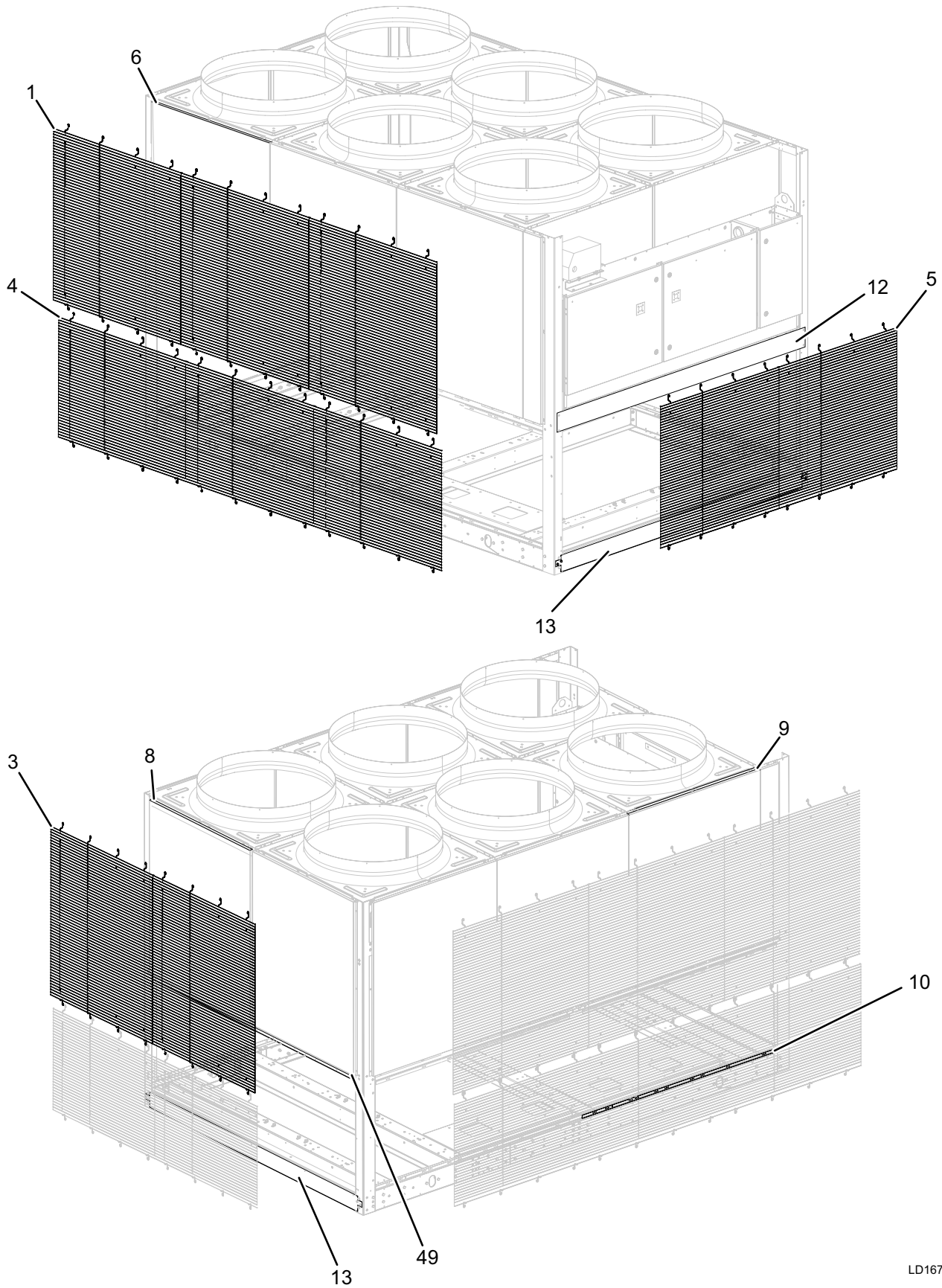


FIGURE 25 - WIRE ENCLOSURE PANELS (YLA0091 - YLA0120)

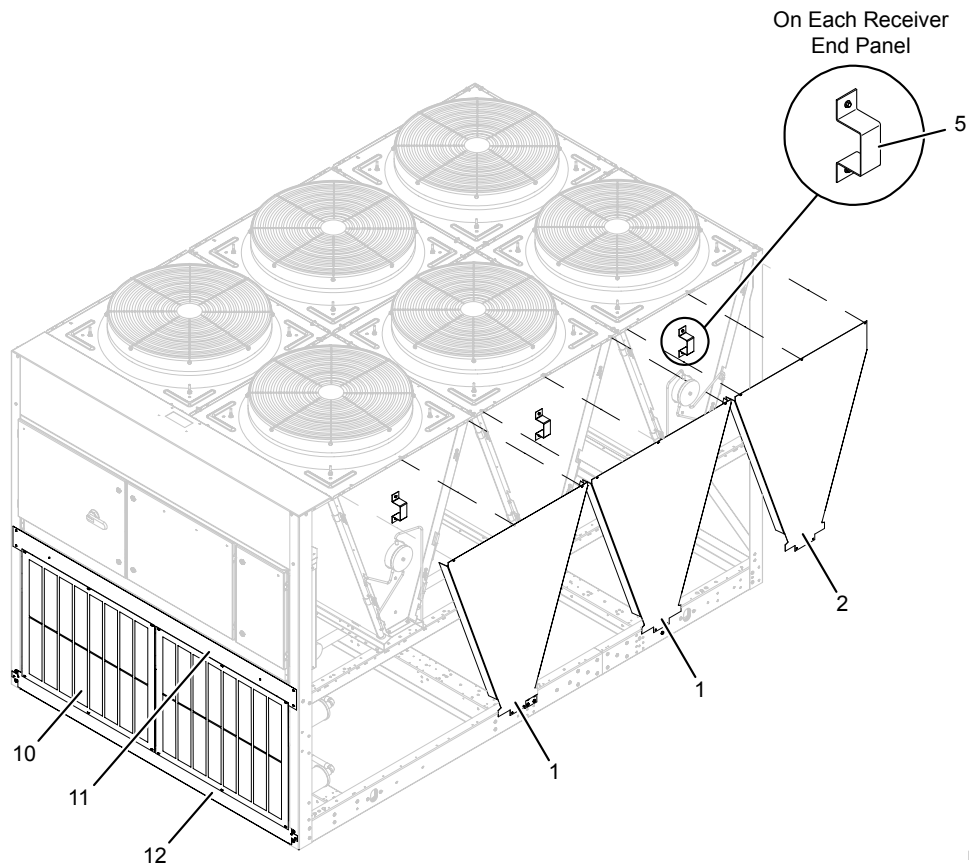
LD16786

**TABLE 47 - ENCLOSURE KIT OPTION**

MODEL NUMBER YLAA	WIRE ENCLOSURE	LOUVERED ENCLOSURE	WIRE / LOUVERED ENCLOSURE	LOUVERED ENCLOSURE CONDENSER ONLY	LOUVERED ENCLOSURE HAIL GUARD ONLY
0070	475-75917-301	475-75918-301	475-75917-303	475-75918-303	475-75918-104
0080					
0090					
0091	475-75917-201	475-75918-201	475-75917-203	475-75918-203	
0100					
0101					
0115					
0120	475-75918-202				

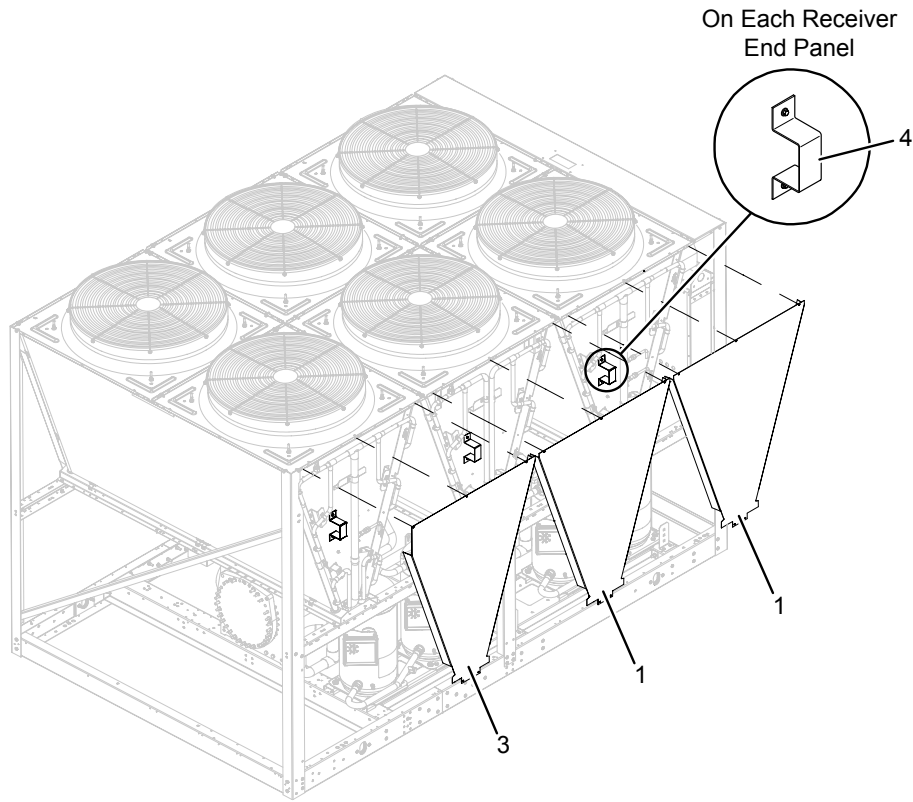
**TABLE 48 - AESTHETIC PANEL**

ITEM	DESCRIPTION	PART NUMBER	SAP	FIGURE
1	Aesthetic Vee Panel	075-83175-000	434009	
2	Aesthetic Vee Panel Right	075-83844-000	759171	
3	Aesthetic Vee Panel Left	075-83844-001	759172	
4	Bracket Louver	075-77929-012	434011	
5	Bracket Louver	075-77929-013	434010	
10	Panel Enclosure	075-75918-004	447357	
11	Support Grill/Louwer	075-75047-022	438427	
12	Support Grill/Louwer	075-75047-019	438429	



**FIGURE 26 - AESTHETIC PANEL**

LD16787



**FIGURE 28 - AESTHETIC PANEL (CONT'D)**

**TABLE 49 - KEYPAD OVERLAYS**

DESCRIPTION	PART NUMBER	SAP
Overlay, Keypad (English)	035-21911-000	745371
Overlay, Keypad (Spanish)	035-21911-050	840788

**TABLE 50 - E-LINK KIT**

DESCRIPTION	PART NUMBER	SAP
E-Link Kit	375-83069-000	-
E-LINK W/SERIAL PORTS (LON)	025-44384-000	740489
E-LINK IPU-II INSTALLATION KIT	025-44659-000	740575

**TABLE 51 - VIBRATION ISOLATORS PART NUMBERS**

<b>NEOPRENE ISOLATOR CROSS REFERENCE</b>				
<b>WEIGHT RANGE (LBS.)</b>	<b>WEIGHT RANGE (KG.)</b>	<b>MODEL PART NUMBER</b>	<b>COLOR</b>	<b>YORK PART NUMBER</b>
Up to 826 lbs.	Up to 375 kg.	RD-3	CHARCOAL	029-25335-001
826 to 1689 lbs.	375 to 766 kg.	RD-4	BRICK RED	029-25335-002
1689 to 4000 lbs.	766 to 1814 kg.	RD-4	CHARCOAL	029-25335-004
<b>ONE INCH DEFLECTION SPRING ISOLATOR CROSS REFERENCE*</b>				
<b>WEIGHT RANGE (LBS.)</b>	<b>WEIGHT RANGE (KG.)</b>	<b>MODEL PART NUMBER</b>	<b>COLOR</b>	<b>YORK PART NUMBER</b>
Up to 435 lbs.	Up to 197 kg.	CP-1D-510	BLACK	029-25334-002
435 to 766 lbs.	197 to 347 kg.	CP-1D-900	DARK GREEN	029-25334-003
766 to 1021 lbs.	347 to 463 kg.	CP-1D-1200	GRAY	029-25334-004
1021 to 1157 lbs.	463 to 525 kg.	CP-1D-1360	WHITE	029-25334-005
1157 to 1785 lbs.	525 to 810 kg.	CP-1D-1785N	GRAY/RED	029-25334-006
Up to 1149 lbs.	Up to 521 kg.	C2P-1D-1350	DARK PURPLE	029-25334-008
1149 to 1531 lbs.	521 to 694 kg.	C2P-1D-1800	DARK GREEN	029-25334-009
1531 to 2041 lbs.	694 to 926 kg.	C2P-1D-2400	GRAY	029-25334-010
2041 to 2313 lbs.	926 to 1049 kg.	C2P-1D-2720	WHITE	029-25334-012
2313 to 3570 lbs.	1049 to 1619 kg.	C2P-1D-3570N	GRAY/ RED	029-25334-013
<b>TWO INCH DEFLECTION, SEISMIC SPRING ISOLATOR CROSS REFERENCE</b>				
<b>WEIGHT RANGE (LBS.)</b>	<b>WEIGHT RANGE (KG.)</b>	<b>MODEL PART NUMBER</b>	<b>COLOR</b>	<b>YORK PART NUMBER</b>
Up to 392 lbs.	Up to 178 kg.	Y2RSI-2D-460	GREEN	029-25336-006
392 to 605 lbs.	178 to 274 kg.	Y2RSI-2D-710	DARK BROWN	029-25336-008
605 to 741 lbs.	274 to 336 kg.	Y2RSI-2D-870	RED	029-25336-009
741 to 1021 lbs.	336 to 463 kg.	Y2RSI-2D-1200N	RED/BLACK	029-25336-010
1021 to 1438 lbs.	463 to 652 kg.	Y2RSI-2D-1690	PINK	029-25336-011
1438 to 2245 lbs.	652 to 1018 kg.	Y2RSI-2D-2640N	PINK/GRAY	029-25336-012
2245 to 2619 lbs.	1018 to 1188 kg.	Y2RSI-2D-2870N	PINK/GRAY/ORANGE	029-25336-013
2619 to 3740 lbs.	1188 to 1697 kg.	Y2RSI-2D-3280N	PINK/GRAY/DARK BROWN	029-25336-014

\* Note: One Inch Deflection Spring Isolators must all be of the same class for the entire unit.  
Must use C2P's at all locations on a selected unit, or all CP's.

**TABLE 52 - COMPOUNDS AND ABRASIVES**

<b>DESCRIPTION</b>	<b>PART NUMBER</b>	<b>SAP</b>
Compound Heat Conductive 4oz	013-00898-000	616572
Insulation Thermal 3/4" Thick	010-05997-000	728830
Insulation Thermal 4-1/2 Id X 1/2	010-03686-000	728790
Insulation Armaflex 1 3/8 Tube	010-00012-000	728971
Insulation Thermal 3-1/2 Id X 1/2	010-07731-000	728853
Tape Electric Insulation 3/4 Wide	025-15093-000	686102
Tape, Corrosion Protection	025-40318-000	739789
Adhesive Scotch Grip 1357	013-02297-000	616579
Thermal Insulation Tape	010-06553-000	728847
Thermal Insulation Sheet	010-06548-000	728846

**TABLE 53 - RECOMMENDED SPARES**

DESCRIPTION	PIN OPTION	PART NUMBER	SAP
Fan Motor, Standard	(PIN 11,12) -17	024-27322-103	
	(PIN 11,12) -28	024-27322-106	
	(PIN 11,12) -40	024-27322-104	
	(PIN 11,12) -46	024-27322-107	
	(PIN 11,12) -58	024-27322-102	
Fan Motor, Low Noise	(PIN 11,12) -17	024-34980-102	
	(PIN 11,12) -28	024-34980-102	
	(PIN 11,12) -40	024-34980-105	
	(PIN 11,12) -46	024-34980-101	
	(PIN 11,12) -58	024-34980-103	
Fan Blade, Standard	-	026-41594-000	
Fan Blade, Low Noise	-	026-41592-000	
Valve, Thermal Expansion (YLAA0070-YLAA0090)	(PIN 29,30) >10	025-42426-025	520120
	(PIN 29,30) >30	025-40681-000	739877
Valve, Thermal Expansion (YLAA0091)	(PIN 29,30) >10	025-42426-025	520120
Valve, Thermal Expansion (YLAA0100-YLAA0120)	(PIN 29,30) >10	025-42426-050	516656
Valve, Thermal Expansion (YLAA0091-YLAA0101)	(PIN 29,30) >30	025-40681-000	739877
Valve, Thermal Expansion (YLAA0115-YLAA0120)	(PIN 29,30) >30	025-41743-000	740010
Core, Dehydrator	-	026-37540-000	740964
Oil, Compressor (Type "V") 6-1 gallon	-	011-00948-000	62387
Oil, Compressor (Type "V") 5 gallon	-	011-00949-000	729001
Micro, I/O Kit	-	331-02550-101	406668
Flashcard	-	031-02755-004	744085
Sensor, Outside Air Temperature	-	025-47688-000	5167777
Sensor, Entering Water Temperature	-	025-47671-000	5167564
Sensor, Leaving Water Temperature	-	025-47671-000	5167564
Transducer, Suction Pressure (0-400psi)	-	025-41756-002	392054
Transducer, Discharge Pressure (0-650psi)	-	025-41756-003	392055



5000 Renaissance Drive, New Freedom, Pennsylvania USA 17349

Copyright © by Johnson Controls 2017

Form 150.72-RP3 (1017)

Issue Date: October 31, 2017

Supersedes: 150.72-RP3 (113)

800-861-1001

[www.johnsoncontrols.com](http://www.johnsoncontrols.com)

Subject to change without notice. Printed in USA

ALL RIGHTS RESERVED