

SERVICE BULLETIN

Supersedes: Nothing

Form 160.49-M2 (SB16) (598)

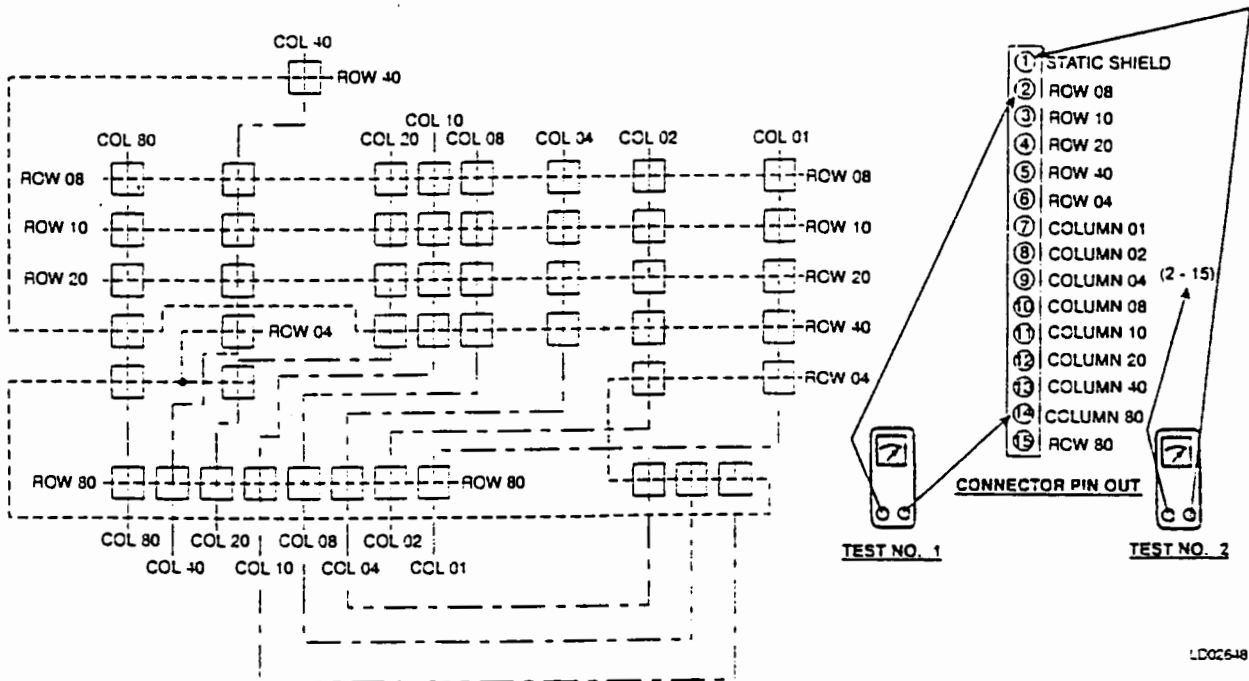
SUBJECT: HOW TO CHECK FOR DEFECTIVE KEY PAD.
(YT-YK-YS-YG-YB-
PARAFLOW - ISOFLOW
MICRO PANELS)

File With 160.49-M2

GENTLEMEN,

YOU WILL FIND BELOW A PROCEDURE ON HOW TO CHECK OUT THE KEY PAD ON THE MICRO PANEL TO DETERMINE IF YOU HAVE ONE OR MORE DEFECTIVE KEYS.

NOTE : FOR THOSE OF YOU THAT HAVE YG / YB LITERATURE , THIS TEST IS IN YORK FORM NO.160.60-M1 , PAGE NO. 112 , UNDER PROBLEMS AND SOLUTIONS. **IMPORTANT :** PLEASE MAKE NOTE THAT IN TEST NO.1 , ITEMS 7 AND 8 BELOW, THE READINGS ARE DIFFERENT AND SHOULD BE CHANGED AS SHOWN BELOW IN YOUR YG / YB LITERATURE.



TEST NO. 1

1. Remove power from the micro panel.
2. **EXAMPLE:** To check out the "CHILLED LIQUID TEMP" key.
3. The "CHILLED LIQUID TEMP" key is in the upper left corner of the display.
4. The "CHILLED LIQUID TEMP" key is in Row 8. Col 80 (see above Fig.)
5. Place the ohm meter in the "Keypad Connector" in Pin 2 (Row 3) and Pin 14 (Col 80). See above.
6. Press the "CHILLED LIQUID TEMP" key.
7. OHM METER READING MUST READ GREATER THAN 10,000 OHMS (KEY NOT DEPRESSED)
8. OHM METER READING MUST READ LESS THAN 100 OHMS (KEY DEPRESSED)

TEST NO. 2

With power removed, use the ohmmeter to read from Pin No. 1 to all of the other pins (2-15) on the keypad connector. This is to assure there is no shorts between the static shield and the keys.