



**OPTISPEED™  
VARIABLE SPEED DRIVE**

**REPLACEMENT PARTS**

New Release

Form 160.00-RP8 (1016)

**MODELS  
HYP1300A**



**1300 HP - 50/60 HZ, 380-460 VAC (P/N 371-06172-XXX)**

Issue Date:  
October 18, 2016



# IMPORTANT!

## READ BEFORE PROCEEDING!

### GENERAL SAFETY GUIDELINES

This equipment is a relatively complicated apparatus. During installation, operation maintenance or service, individuals may be exposed to certain components or conditions including, but not limited to: refrigerants, materials under pressure, rotating components, and both high and low voltage. Each of these items has the potential, if misused or handled improperly, to cause bodily injury or death. It is the obligation and responsibility of operating/service personnel to identify and recognize these inherent hazards, protect themselves, and proceed safely in completing their tasks. Failure to comply with any of these requirements could result in serious damage to the equipment and the property in

which it is situated, as well as severe personal injury or death to themselves and people at the site.

This document is intended for use by owner-authorized operating/service personnel. It is expected that these individual possess independent training that will enable them to perform their assigned tasks properly and safely. It is essential that, prior to performing any task on this equipment, this individual shall have read and understood this document and any referenced materials. This individual shall also be familiar with and comply with all applicable governmental standards and regulations pertaining to the task in question.

---

### SAFETY SYMBOLS

The following symbols are used in this document to alert the reader to specific situations:



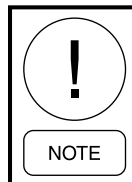
*Indicates a possible hazardous situation which will result in death or serious injury if proper care is not taken.*



*Identifies a hazard which could lead to damage to the machine, damage to other equipment and/or environmental pollution if proper care is not taken or instructions are not followed.*



*Indicates a potentially hazardous situation which will result in possible injuries or damage to equipment if proper care is not taken.*



*Highlights additional information useful to the technician in completing the work being performed properly.*



*External wiring, unless specified as an optional connection in the manufacturer's product line, is not to be connected inside the control cabinet. Devices such as relays, switches, transducers and controls and any external wiring must not be installed inside the micro panel. All wiring must be in accordance with Johnson Controls' published specifications and must be performed only by a qualified electrician. Johnson Controls will NOT be responsible for damage/problems resulting from improper connections to the controls or application of improper control signals. Failure to follow this warning will void the manufacturer's warranty and cause serious damage to property or personal injury.*

## CHANGEABILITY OF THIS DOCUMENT

In complying with Johnson Controls' policy for continuous product improvement, the information contained in this document is subject to change without notice. Johnson Controls makes no commitment to update or provide current information automatically to the manual owner. Updated manuals, if applicable, can be obtained by contacting the nearest Johnson Controls Service office or accessing the Johnson Controls QuickLIT website at <http://cgproducts.johnsoncontrols.com>.

Operating/service personnel maintain responsibility for the applicability of these documents to the equipment. If there is any question regarding the applicability of these documents, the technician should verify whether the equipment has been modified and if current literature is available from the owner of the equipment prior to performing any work on the chiller.

### CHANGE BARS

Revisions made to this document are indicated with a line along the left or right hand column in the area the revision was made. These revisions are to technical information and any other changes in spelling, grammar or formatting are not included.

### NOTES

Throughout this parts guide there are special notes calling attention to various parts and ordering instructions for those parts. Please read these notes carefully and follow the instructions to ensure you receive all the replacement parts necessary to complete the service.

---

## HOW TO USE RENEWAL PARTS MANUALS

Johnson Controls offers an assortment of replacements parts for Johnson Controls, YORK and UPG units. Each replacement part is manufactured and fitted for a specific model. This Replacement Parts Manual is for standard Johnson Controls units. Chiller units built with special options, modifications, or conversions are not covered in this manual.

This Replacement Parts Manual provides Johnson Controls chiller replacement parts by part numbers, descriptions, quantities and drawing figures. To determine the correct replacement part, locate the item on drawing figure and refer to the parts list for the part number, description and quantity.

**NOTE:** Provide a unit model number, unit serial number and part number when requesting a quotation or placing an order. Failure to include this information may delay processing of your request.

Model and Serial Number Locations:

- **Unit** - Namplate on side of Control Panel
- **Compressor** - Namplate on Compressor Housing
- **VSD** - Namplate on VSD Panel

Contact the following sources to order parts.

### NORTH AMERICA

#### **Baltimore Parts Center**

#### **Contractors within USA**

Telephone: (800)-932-1701

#### **Equipment Owners within USA who maintain their own equipment**

Telephone: (800)-482-2778

Email: [cg-baltimore-parts-customer@jci.com](mailto:cg-baltimore-parts-customer@jci.com)

For parts availability and ordering YORK HVAC Parts within the USA please use the following link:

[http://www.johnsoncontrols.com/content/us/en/products/building\\_efficiency/products-and-systems/integrated\\_hvac\\_systems/parts\\_center/baltimorepartscenter.html](http://www.johnsoncontrols.com/content/us/en/products/building_efficiency/products-and-systems/integrated_hvac_systems/parts_center/baltimorepartscenter.html)

### EUROPE

#### **HVAC Parts Centre (Europe)**

Telephone: +44 (0) 1268 246 400

Email: [ALLParts@jci.com](mailto:ALLParts@jci.com)

## LIST OF TABLES

<b>SECTION 1 - 1300HP VARIABLE SPEED DRIVE</b> .....	<b>7</b>
<b>TABLE 1 - Input Components (1300 HP)</b> .....	<b>7</b>
<b>TABLE 2 - Fuse Components</b> .....	<b>10</b>
<b>TABLE 3 - Door Components</b> .....	<b>12</b>
<b>TABLE 4 - Cooling System Components</b> .....	<b>13</b>
<b>TABLE 5 - Power Assembly Components</b> .....	<b>17</b>
<b>TABLE 6 - Output Components</b> .....	<b>19</b>
<b>TABLE 7 - Drive Logic Board and Components</b> .....	<b>20</b>
<b>TABLE 8 - Miscellaneous Components</b> .....	<b>20</b>
<b>TABLE 9 - Wiring Harnesses and Connectors</b> .....	<b>21</b>
<b>TABLE 10 - CPC Connectors</b> .....	<b>23</b>
<b>TABLE 11 - Power Wiring (All Power Wiring Kits include wire for all three phases)</b> .....	<b>23</b>

## LIST OF FIGURES

<b>SECTION 1 - 1300HP VARIABLE SPEED DRIVE</b> .....	<b>7</b>
<b>FIGURE 1 - Input Components</b> .....	<b>8</b>
<b>FIGURE 2 - Input Components</b> .....	<b>8</b>
<b>FIGURE 3 - Input Components</b> .....	<b>9</b>
<b>FIGURE 4 - Fuse Components</b> .....	<b>10</b>
<b>FIGURE 5 - Fuse Components</b> .....	<b>11</b>
<b>FIGURE 6 - Door Components</b> .....	<b>12</b>
<b>FIGURE 7 - Cooling System Components</b> .....	<b>14</b>
<b>FIGURE 8 - Cooling System Components (Input Inductor)</b> .....	<b>14</b>
<b>FIGURE 9 - Cooling System Components</b> .....	<b>15</b>
<b>FIGURE 10 - Cooling System Components</b> .....	<b>15</b>
<b>FIGURE 11 - Cooling System Components</b> .....	<b>16</b>
<b>FIGURE 12 - Power Assembly Componets</b> .....	<b>18</b>
<b>FIGURE 13 - Power Assembly Componets</b> .....	<b>18</b>
<b>FIGURE 14 - Output Components</b> .....	<b>19</b>

THIS PAGE INTENTIONALLY LEFT BLANK.

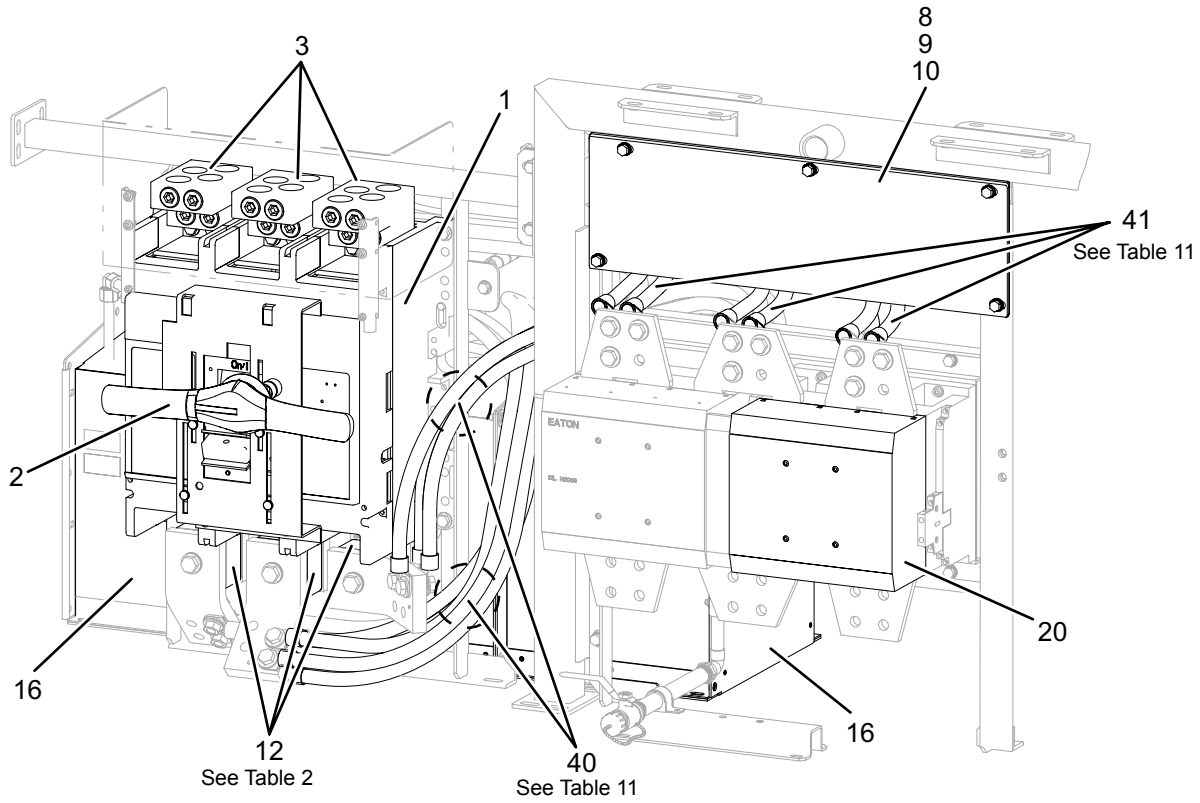
## SECTION 1 - 1300HP VARIABLE SPEED DRIVE

1

**TABLE 1 - INPUT COMPONENTS (1300 HP)**

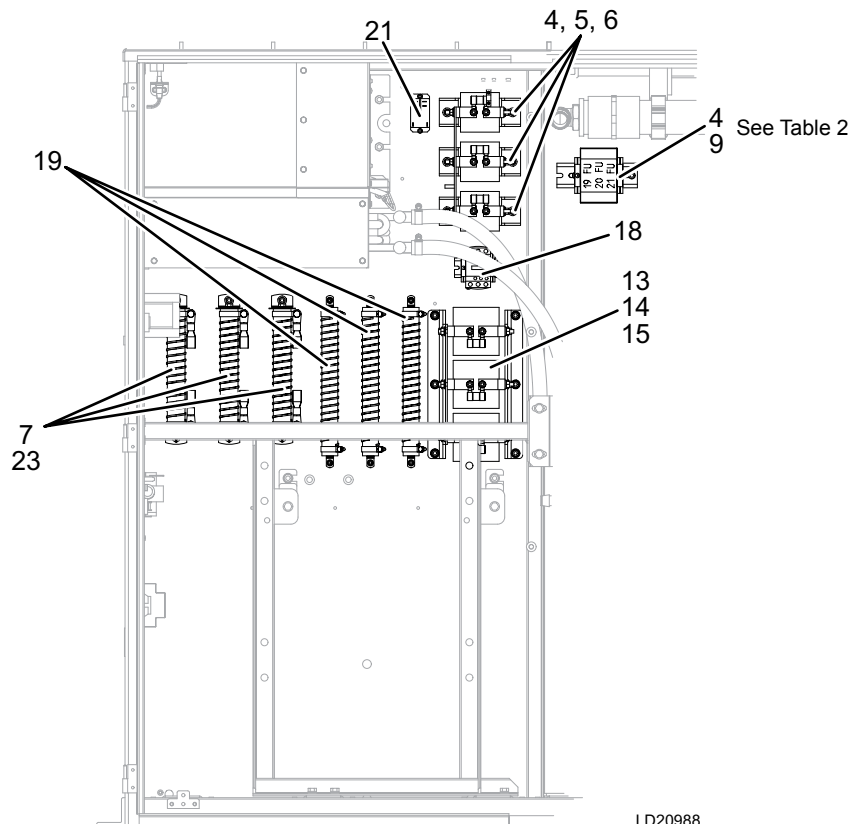
ITEM NUMBER	DESCRIPTION	YORK PART NUMBER	SAP	QUANTITY	FIGURE
1	Circuit Breaker	224-38096-001	5162143	1	1
2	Circuit Breaker Handle	026-46955-000	5145917	1	1
3	Circuit Breaker Lug Kit	025-45999-000	5145911	3	1
4	Common Mode Capacitor with Resistor	371-06172-563	5146023	3	2
5	Capacitor used in Assembly 371-06172-563	025-43928-000	740379	1	2
6	Resistor used in Assembly 371-06172-563	025-42616-000	740130	1	2
7	Damping Resistor Kit (includes 3 resistors & bracket)	025-47440-000	5145914	3	2
8	EMI Filter Kit used on CE units	371-06172-620	-	1	1
9	Capacitor Used in EMI Filter	025-39806-000	251765		1
10	Resistor Used in EMI Filter	025-47732-000	5238321		1
11	Ground Lug	025-32835-000	738755	6	3
12	Input Current Transducer (DCCT)	025-42749-000	740134	3	7
13	Input Filter Assembly	371-06172-553	5146019	1	2
14	Capacitor used in Assembly 371-06172-553	025-45338-000	5145907	9	2
15	Resistor used in Assembly 371-06172-553	025-42616-000	740130	3	2
16	Input Inductor (1L & 2L) 640 LBs.	025-45497-000	5145908	1	1
17	Input Voltage Isolator Board	031-02022-000	65064	1	3
18	Pre-Charge Contactor	024-30985-000	735841	1	2
19	Pre-Charge Resistors	025-32502-000	738717	3	2
20	Supply Contactor	024-38486-000	5145903	1	1
21	Supply Contactor Pilot Relay	024-30441-000	664298	1	2
22	Voltage Transient Board (Fuses are not included)	031-02453-000	743895	1	3
23	Wiring For Damping Resistors Braided Wire	571-06172-254	5146076	12	2

# 1300HP VARIABLE SPEED DRIVE



LD20987

**FIGURE 1 - INPUT COMPONENTS**



LD20988

**FIGURE 2 - INPUT COMPONENTS**

# 1300HP VARIABLE SPEED DRIVE

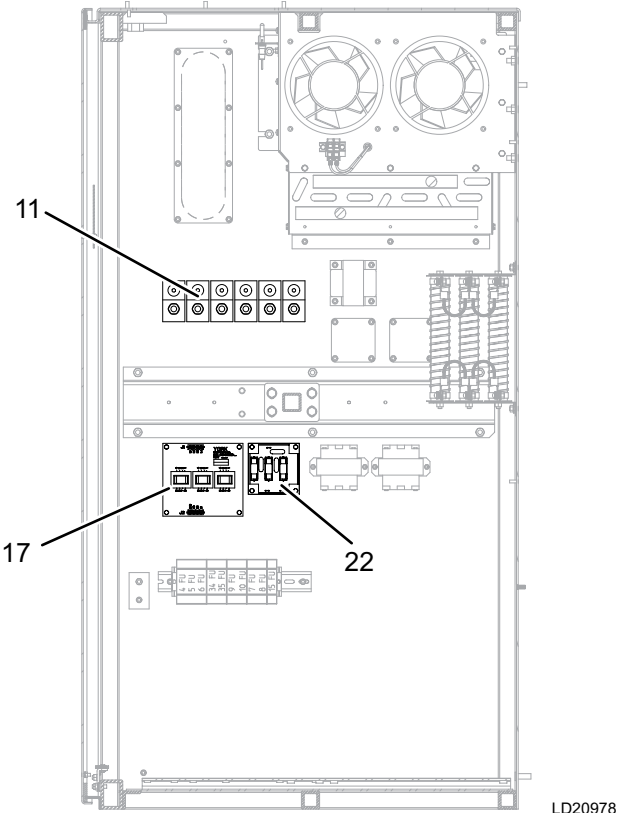
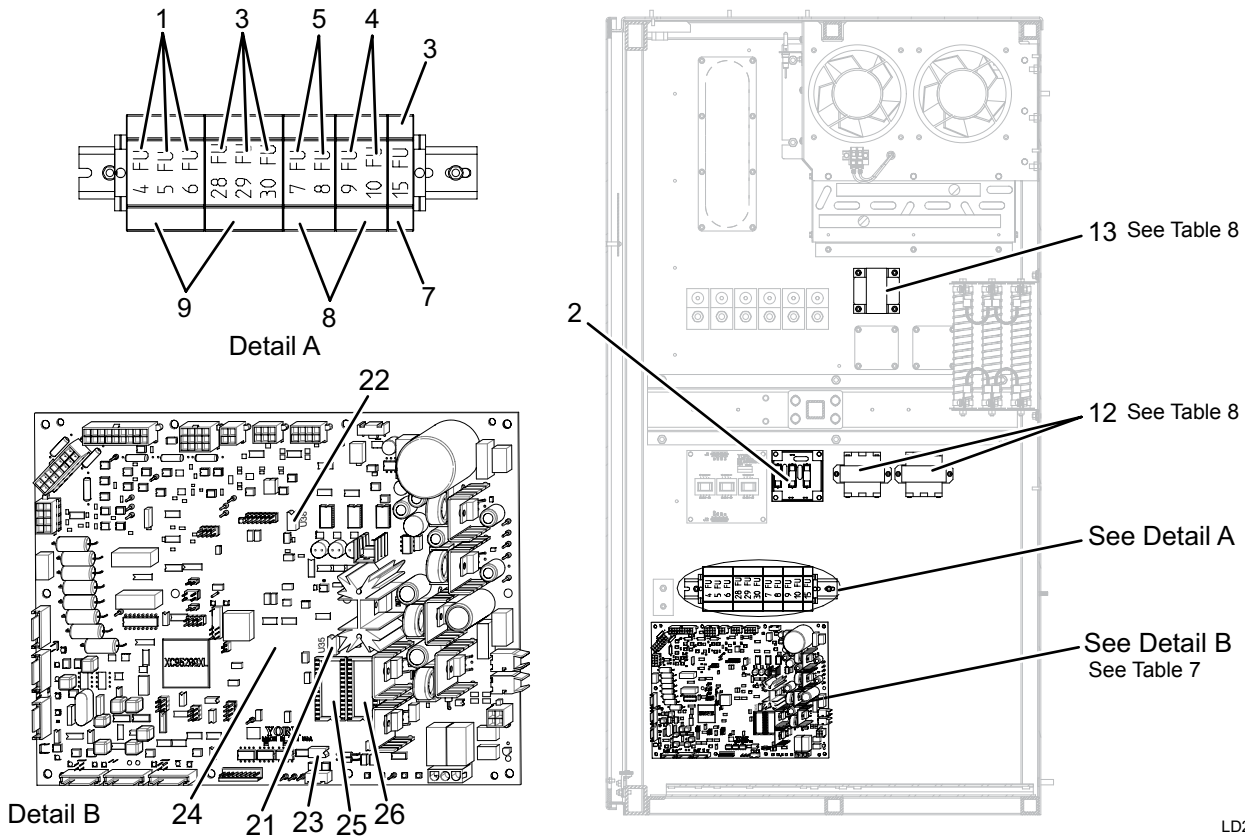


FIGURE 3 - INPUT COMPONENTS

## 1300HP VARIABLE SPEED DRIVE

**TABLE 2 - FUSE COMPONENTS**

ITEM NUMBER	DESCRIPTION	YORK PART NUMBER	SAP	QUANTITY	FIGURE
1	Fuse 1 AMP (4FU-6FU)	025-43326-000	740259	3	4
2	Fuse 5 AMP Voltage Transient Board Fuses (16FU-18FU)	025-38523-000	739590	3	4
3	Fuse 7 AMP (14FU, & 15 FU, 28FU-30FU)	025-35903-000	117821	5	4,5
4	Fuse 10 AMP (9FU, 10FU, 12FU, 13FU, 19FU-21FU, & 33FU)	025-35905-000	739234	8	2, 4, 5
5	Fuse 15 AMP (7FU & 8FU)	025-35907-000	117822	2	4
6	Fuse 20 AMP (11FU)	025-35908-000	117823	1	5
7	1 Pole Fuse Holder 30A	025-39951-000	359985	4	4,5
8	2 Pole Fuse Holder	025-43899-000	740368	4	4,5
9	3 Pole Fuse Holder 30A	025-39952-000	343433	3	2,4
12	Input Power Fuse (1FU-3FU set of three)	371-06172-601	5231931	1	1



LD20989

**FIGURE 4 - FUSE COMPONENTS**

# 1300HP VARIABLE SPEED DRIVE

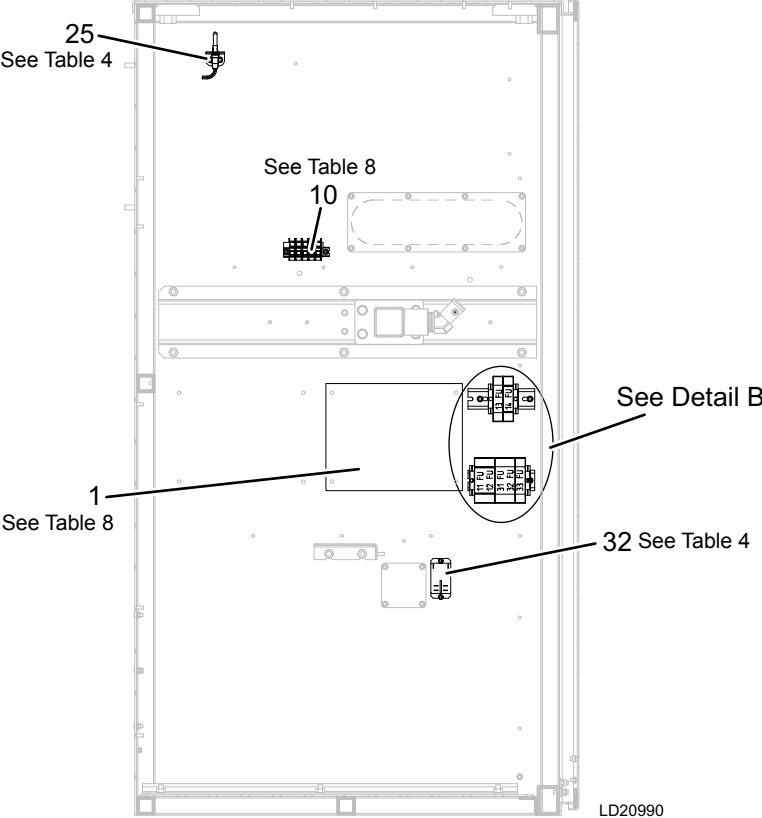
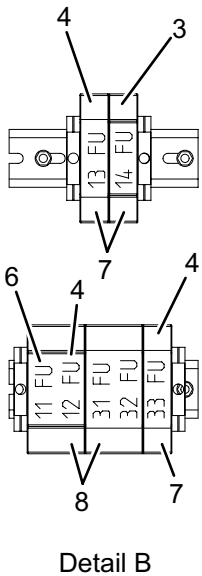
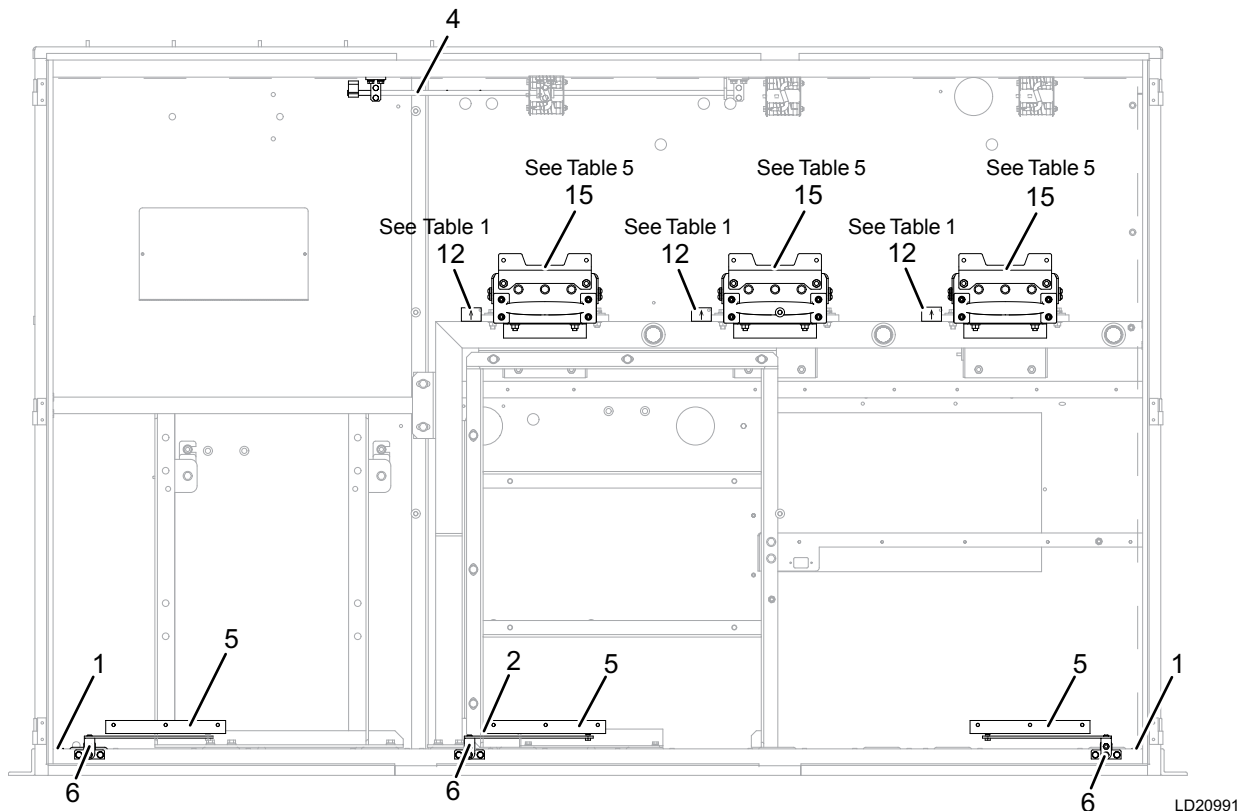


FIGURE 5 - FUSE COMPONENTS

## 1300HP VARIABLE SPEED DRIVE

**TABLE 3 - DOOR COMPONENTS**

ITEM NUMBER	DESCRIPTION	YORK PART NUMBER	SAP	QUANTITY	FIGURE
1	Door Ground Strap (for left and right door)	571-05526-241	807110	2	6
2	Door Ground Strap (for center door)	525-32508-001	806677	1	6
N/A	Door Kit Center for CE Requirements (Including all labels and latches)	371-06172-655		1	-
N/A	Door Kit Center Without CE Requirements (Including all labels and latches)	371-06172-654		1	-
N/A	Door Kit Left for CE Requirements (Including all labels and latches)	371-06172-653		1	-
N/A	Door Kit Left Without CE Requirements (Including all labels and latches)	371-06172-651		1	-
N/A	Door Kit Right for CE Requirements (Including all labels and latches)	371-06172-658		1	-
N/A	Door Kit Right Without CE Requirements (Including all labels and latches)	371-06172-656		1	-
N/A	Door Latch	029-25614-000	743380	12	-
4	Door Latching Assembly	371-06172-460	5119471	1	6
5	Door Stop	029-23420-000	119865	3	6
6	Door Stop Mounting Plate	371-05614-553	840001	3	6
N/A	Label Front Door JCI Logo	035-23036-000	745608	1	-



LD20991

**FIGURE 6 - DOOR COMPONENTS**

## 1300HP VARIABLE SPEED DRIVE

1

**TABLE 4 - COOLING SYSTEM COMPONENTS**

ITEM NUMBER	DESCRIPTION	YORK PART NUMBER	SAP	QUANTITY	FIGURE
1	Coolant Drain Valve	022-10090-000	692414	1	11
2	Coolant Drain Valve Cap	023-25526-000	839731	1	11
3	Coolant Hose Barb Elbow	028-16005-000	742183	3	9
4	Coolant Hose Clamp 1"	023-08856-000	617439	22	7,9,12
5	Coolant Hose Clamp 1 1/2"	021-32226-000	730939	6	11
6	Coolant Hose Clamp 1 3/4"	021-33561-000	5145892	12	10
7	Coolant Hose 3/4 " ID by the foot	028-16768-000	1056103		7,9,12
8	Coolant Hose 1 " ID by the foot	028-16767-000	5145929	-	10
9	Coolant Hose 1 1/2" ID by the foot	028-16373-000	742214		11
10	Coolant Hose on Inductor 3/8 "	325-44864-607	1053032	-	8
11	Coolant Hose on Inductor 1/2 "	325-44864-618	1053041	-	8
12	Coolant Manifold Supply Kit	375-06172-636	-	1	10
13	Coolant Manifold Return Kit	375-06172-638	-	1	9
14	Coolant Manifold Clamp	028-16632-000	913766	3	9,10
15	Coolant Manifold on Inductors 3/8"	325-44864-603	1053030	1	8
16	Coolant Manifold on Inductors 1/2"	325-44864-615	1053038	1	8
17	Coolant Manifold on Inductors Fittings Elbow 3/8"	325-44864-609	1053034	3	8
18	Coolant Manifold on Inductors Fittings Elbow 1/2"	325-44864-616	1053039	3	8
19	Coolant Pump	026-47264-000	5145919	2	11
20	Coolant Pump Flange Set	023-25772-000	5145897	2	11
21	Coolant Reservoir Fill Plug	028-16630-000	843247	1	11
22	Coolant Reservoir 4" PVC with Fill Plug Kit	375-06172-672	-	1	11
23	Elbow 45° at Power Assembly	023-25898-000	5145900	3	10
24	Elbow 45° at Heat Exchanger	028-16559-000	839776	1	11
27	Elbow 90° at Coolant Pump Flange	028-16734-000	5145927	1	11
25	Enclosure Temperature Sensor with connector	571-05182-283	807091	2	5,7
26	Flow Restrictor	028-16620-000	839778	1	9
34	Hose Barb	028-16557-000	839774	1	11
N/A	Inhibitor	013-02987-000	729086	9 gal	-
28	Inductor Drain Valve	022-12690-000	5145893	1	8
29	Inductor Nipple	023-26292-900	5238320	1	8
30	Internal Cooling Fan	025-32557-000	738735	2	7
31	Internal Cooling Coil	026-45982-000	839767	1	7
35	Nipple	028-16687-000	5145925	1	11
32	Relay, Control Fan / Pump	024-30441-000	664298	1	5
33	Shell and Tube Heat Exchanger, 150/300 PSI with Head Gaskets	026-46973-000	5145918	1	11
N/A	Shell and Tube Heat Exchanger Head Gaskets (set of two)	026-50220-000	-	1	-

# 1300HP VARIABLE SPEED DRIVE

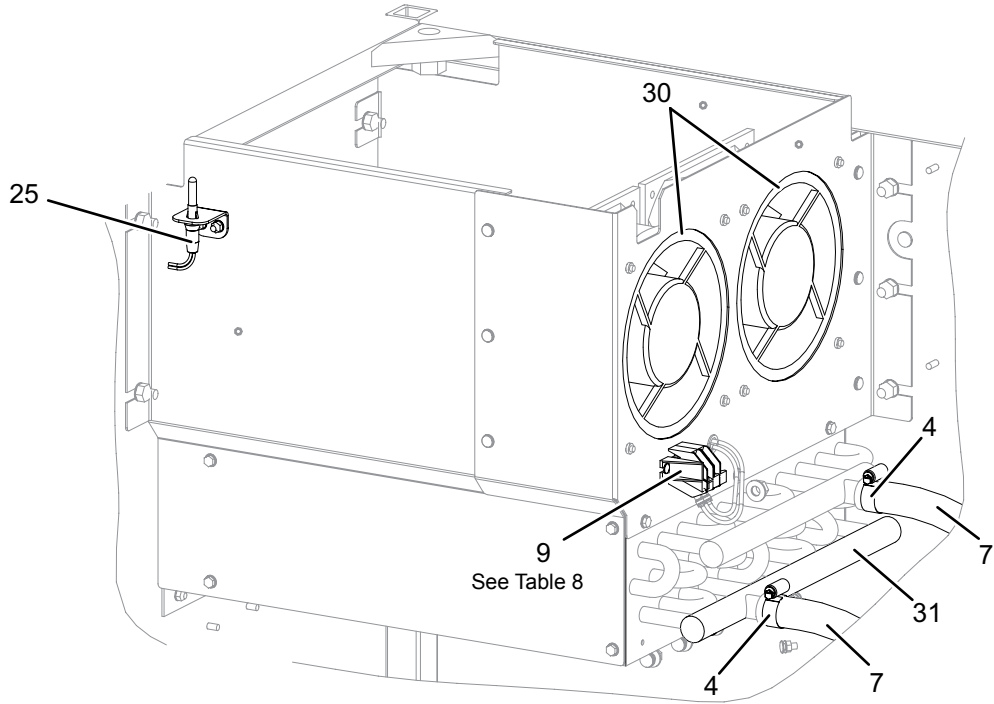


FIGURE 7 - COOLING SYSTEM COMPONENTS

LD20992

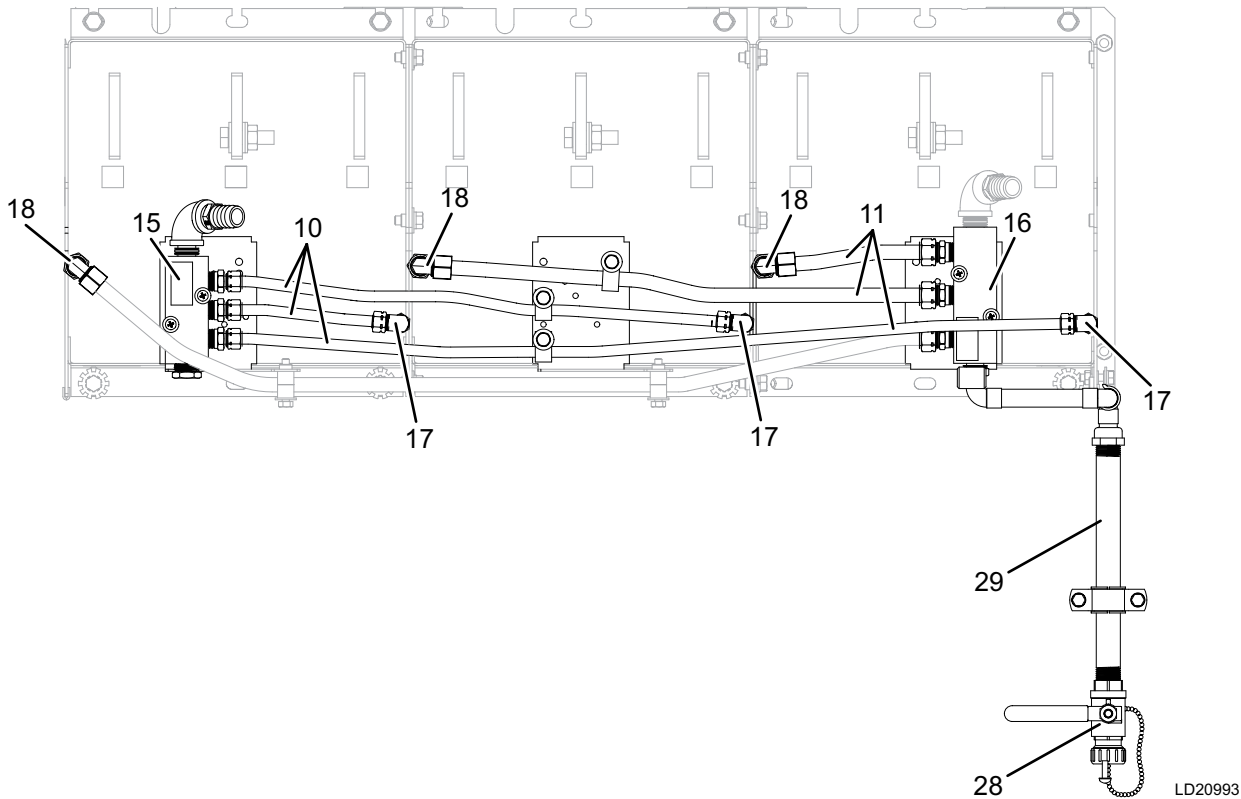
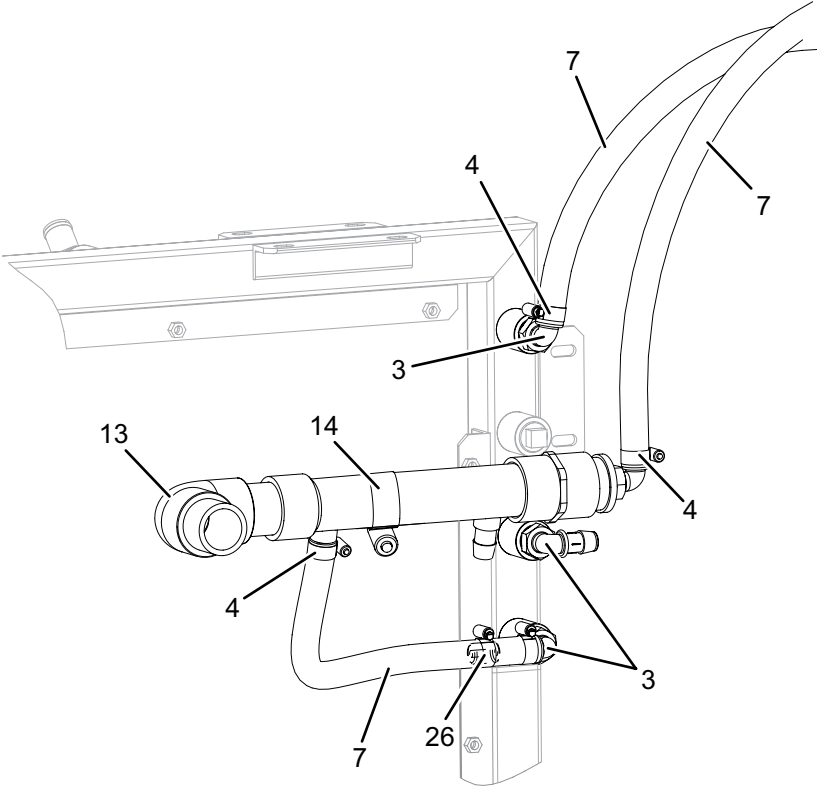


FIGURE 8 - COOLING SYSTEM COMPONENTS (INPUT INDUCTOR)

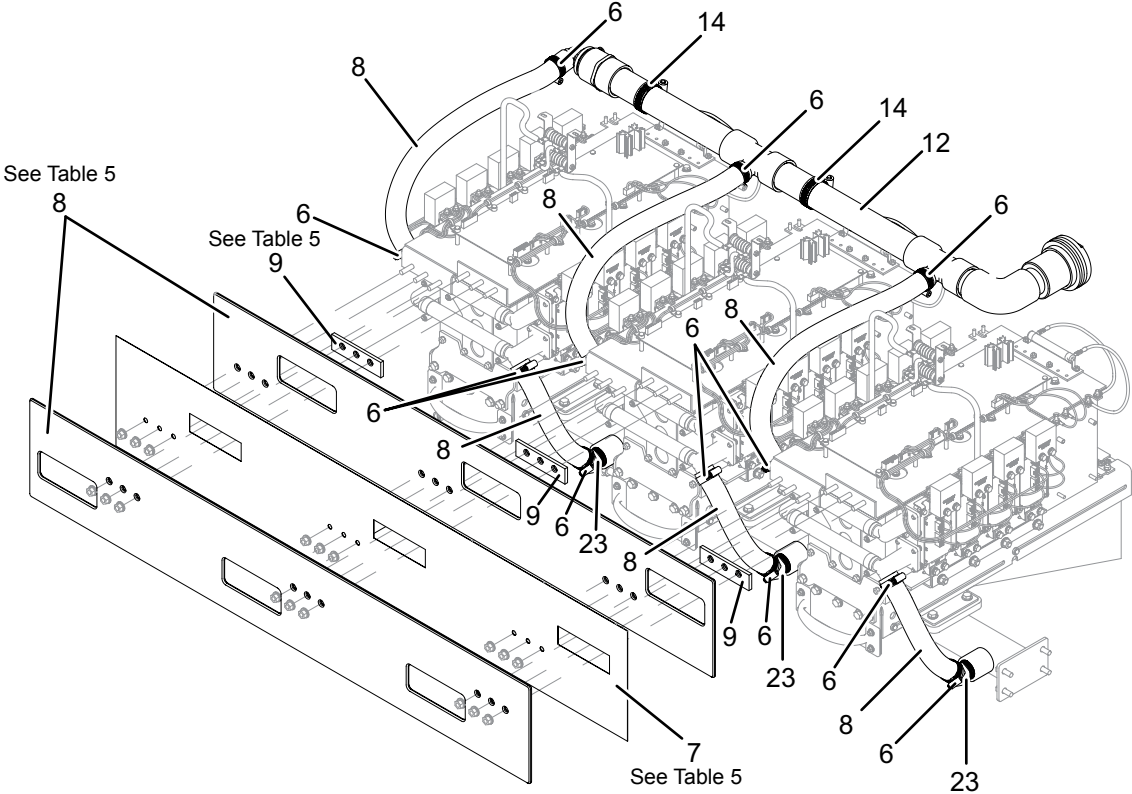
LD20993

# 1300HP VARIABLE SPEED DRIVE



LD20994

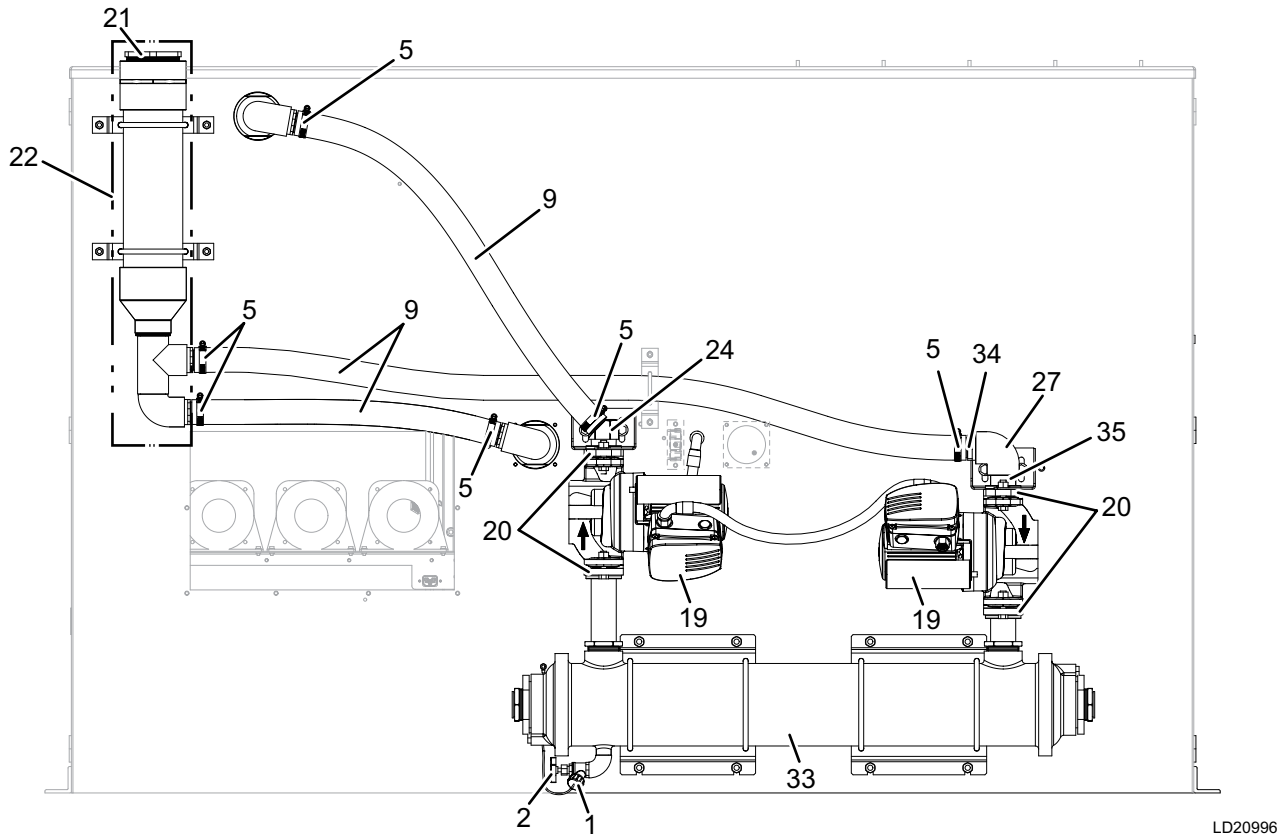
**FIGURE 9 - COOLING SYSTEM COMPONENTS**



LD20995

**FIGURE 10 - COOLING SYSTEM COMPONENTS**

# 1300HP VARIABLE SPEED DRIVE



LD20996

**FIGURE 11 - COOLING SYSTEM COMPONENTS**

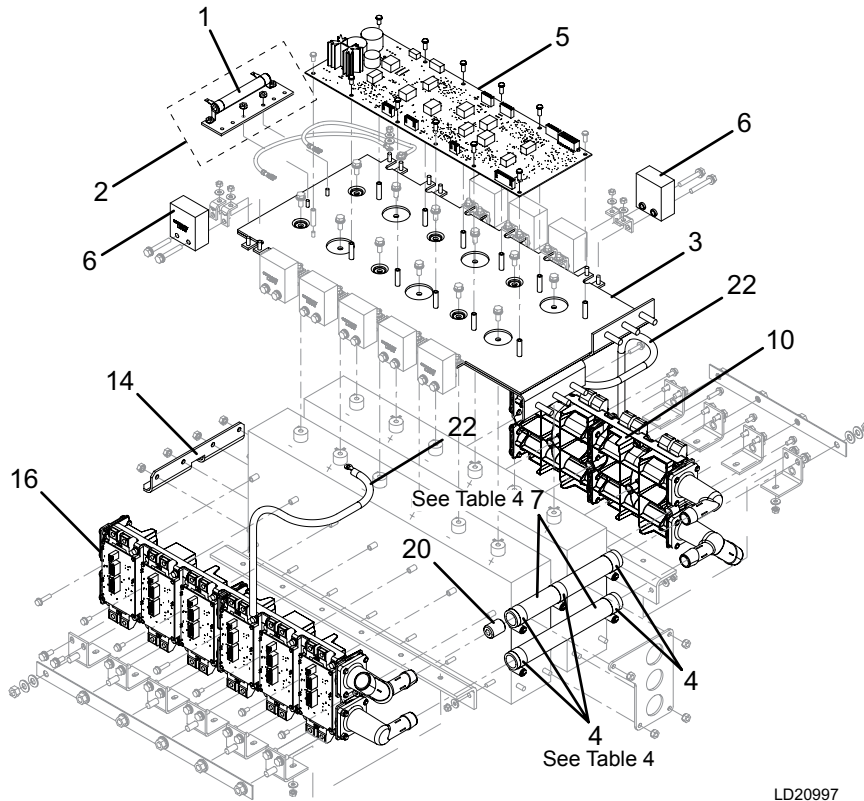
## 1300HP VARIABLE SPEED DRIVE

1

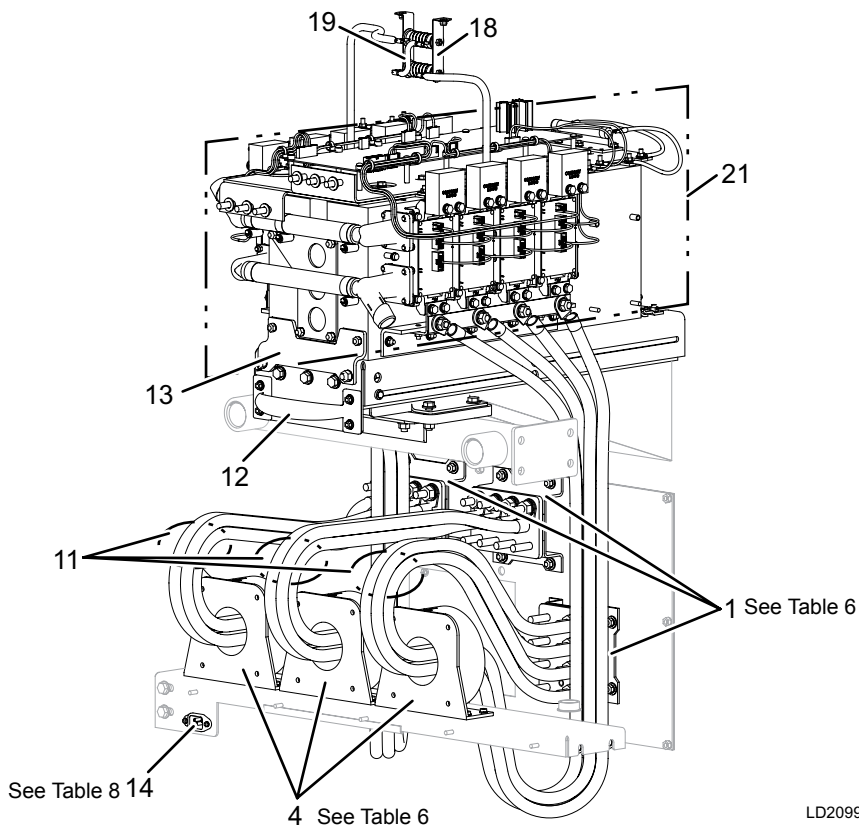
**TABLE 5 - POWER ASSEMBLY COMPONENTS**

ITEM NUMBER	DESCRIPTION	YORK PART NUMBER	SAP	QUANTITY	FIGURE
1	Bus Bleeder Resistor (ea.)	025-45188-000	843241	3	12
2	Bus Bleeder Resistor Assembly (ea.) includes resistor and mounting assembly	371-06165-002	873892	3	12
3	Bus Plate Assembly Kit (for power assembly) kit is not complete from engineering yet.	371-05558-601	-	3	12
6	Bus Snubber Capacitor (ea.)	025-42835-000	740149	30	12
5	Gate Driver Board	031-02762-002	998197	3	12
8	Interconnecting Bus Bars (26 LBs.)	071-06172-578	5145956	2	10
7	Interconnecting Bus Bars Insulator	071-06172-579	5145957	1	10
9	Interconnecting Bus Bars Spacer	071-06172-577	5145955	3	10
N/A	Interconnecting Bus Bars kit (includes 3 items above)	371-06172-600	-	1	
10	Inverter Power Module Kit (Does Not Include Inhibitor)	371-05558-611	5227808	3	12
11	Inverter Power Wiring (from Inverter to motor terminal connection)	571-06172-242	5146071	1	13
12	Power Unit Handle	029-26547-000	1109105	3	13
13	Power Unit Mounting Foot Front	071-06172-487	5119416	3	13
14	Power Unit Mounting Foot Rear	071-05558-340	5113877	3	12
15	Power Unit Shelf Assembly	371-06172-480	5119474	3	6
16	Rectifier Power Module Kit (Does Not Include Inhibitor)	371-05558-616	5227809	3	12
N/A	Input Power Wiring (from output of supply contactor to rectifier)	571-06172-234	5146069	1	
18	Resistor Assembly	025-47447-000	5145915	3	13
19	Resistor Assembly Cable	571-06172-252	5146075	3	13
20	Restrictor	028-16787-000	5113875	3	12
21	VSD Rectifier/Inverter Power Unit Complete Kit (Does Not Include Inhibitor)	371-05558-621	5231930	3	13
22	Wiring Ground	571-05558-243	998300	6	12

# 1300HP VARIABLE SPEED DRIVE



**FIGURE 12 - POWER ASSEMBLY COMPONENTS**

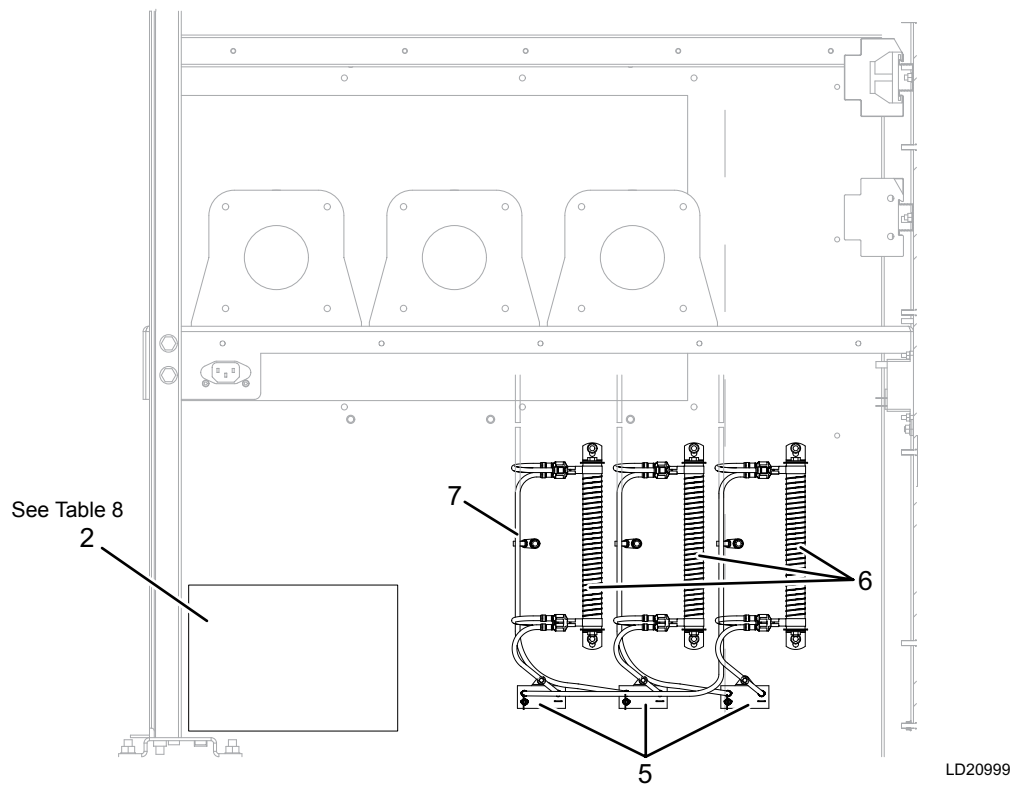


**FIGURE 13 - POWER ASSEMBLY COMPONENTS**

# 1300HP VARIABLE SPEED DRIVE

**TABLE 6 - OUTPUT COMPONENTS**

ITEM NUMBER	DESCRIPTION	YORK PART NUMBER	SAP	QUANTITY	FIGURE
1	Motor Connection Plate	371-06172-573	5146027	3	13
5	Motor DV/DT Network Capacitor	025-45717-000	1113966	3	14
6	Motor DV/DT Network (2 Resistors)	025-47732-000	5238321	3	14
7	Motor DV/DT Network Wiring Harness	571-06172-210	5146062	1	14
4	Output Current Transducer (DCCT)	025-42749-000	740134	3	13



**FIGURE 14 - OUTPUT COMPONENTS**

## 1300HP VARIABLE SPEED DRIVE

**TABLE 7 - DRIVE LOGIC BOARD AND COMPONENTS**

ITEM NUMBER	DESCRIPTION	YORK PART NUMBER	SAP	QUANTITY	FIGURE
21	PROM Chip U35 (for 031-02911-006 board)	031-03048-002	5144859	1	4
22	PROM Chip U38 (for 031-02911-006 board)	031-03049-002	5145050	1	4
23	U66 485 Communications Driver	031-02074-000	743866	1	4
24	VSD Logic Board Kit ( includes all software)	331-02911-606	5227807	-	4
25	BRAM Chip U36	031-02482-000	-	1	4
26	BRAM Chip U37	031-02483-000	-	1	4

**TABLE 8 - MISCELLANEOUS COMPONENTS**

ITEM NUMBER	DESCRIPTION	YORK PART NUMBER	SAP	QUANTITY	FIGURE
1	Control Transformer 460 VAC 2KVA	025-29627-002	117496	1	5
	Control Transformer 380/400/415 VAC 2KVA	025-29627-003	738308	1	
	Control Transformer 400 VAC (60 Hz) 2KVA	025-40114-005	739754	1	
2	Control Transformer 460 VAC 3KVA	025-31499-000	738608	1	14
	Control Transformer 380/400/415 VAC 3KVA	025-32983-000	117599	1	
	Control Transformer 400 VAC (60 Hz) 3KVA	025-40114-006	739755	1	
12	Control Transformer 24 VAC 75 VA (3T/4T)	025-27911-000	1312	2	4
13	Control Transformer 24 VAC 175 VA (5T)	025-43339-000	740269	1	4
9	Terminal Block 2-pole	025-44853-002	839752	1	7
10	Terminal Block 5-pole	025-44853-005	839755	1	5
14	120 VAC Power Plug	025-47414-000	5000684	1	14

## 1300HP VARIABLE SPEED DRIVE

1

**TABLE 9 - WIRING HARNESSES AND CONNECTORS**

BOARD NAME	BOARD PART NUMBER	CONNECTOR POSITION	HOUSING PART NUMBER (SAP)	PIN PART NUMBER (SAP)
Line Voltage Isolator Board	031-02022-000	J1	025-19671-000 (737534)	025-22215-000 (62701)
Line Voltage Isolator Board	031-02022-000	J2	025-21417-000 (737658)	025-22215-000 (62701)
Input DC Current Transducer	N/A	N/A	025-43356-000 (740274)	025-43357-000 (740275)
Input DC Current Transducer Complete Cable	N/A	N/A	N/A	Assembly # 571-06172-214 (5146063)
Output DC Current Transducer	N/A	N/A	025-43356-000 (740247)	025-43357-000 (740275)
Output DC Current Transducer Complete Cable	N/A	N/A	N/A	Assembly # 571-06172-205
VSD Logic Board	031-02911-006	J1	025-21756-000 (737664)	025-22215-000 (62701)
VSD Logic Board	031-02911-006	J2	025-42614-000 (740129)	025-28386-000 (737925)
VSD Logic Board	031-02911-006	J3	025-35964-000 (739253)	025-28386-000 (737925)
VSD Logic Board	031-02911-006	J4	025-28384-000 (737920)	025-28386-000 (737925)
VSD Logic Board	031-02911-006	J5	025-28959-000 (738246)	025-28386-000 (737925)
VSD Logic Board	031-02911-006	J6	025-28382-000 (737916)	025-28386-000 (737925)
VSD Logic Board	031-02911-006	J7	025-35966-000 (550505)	025-28386-000 (737925)
VSD Logic Board	031-02911-006	J8 and J11	Assembly # 571-06172-201 (5146053)	N/A
VSD Logic Board	031-02911-006	J9 and J12	Assembly # 571-06172-202 (5146054)	N/A
VSD Logic Board	031-02911-006	J10 and J13	Assembly # 571-06172-203 (5146055)	N/A
VSD Logic Board	031-02911-006	J14	025-28959-000 (738246)	025-28386-000 (737925)
VSD Logic Board	031-02911-006	J15	025-29130-000 (738262)	025-28386-000 (737925)
VSD Logic Board	031-02911-006	J16	025-19671-000 (737534)	025-22215-000 (62701)
VSD Logic Board	031-02911-006	J17	025-21137-000 (737637)	025-19674-000 (737537)
VSD Logic Board	031-02911-006	J18	Assembly # 571-06172-206 (5146058)	N/A

## 1300HP VARIABLE SPEED DRIVE

BOARD NAME	BOARD PART NUMBER	CONNECTOR POSITION	HOUSING PART NUMBER (SAP)	PIN PART NUMBER (SAP)
VSD Logic Board	031-02911-006	J19	025-21137-000 (737637)	025-19674-000 (737537)
VSD Logic Board	031-02911-006	J25	025-35966-000 (550505)	025-28386-000 (737925)
VSD Logic Board	031-02911-006	J36	Assembly # 571-06172-208 (5146060)	N/A
IGBT Gate Driver Board	031-02762-002	J1	025-21137-000 (737637)	025-19674-000 (737537)
IGBT Gate Driver Board	031-02762-002	J2	025-42614-000 (740129)	025-28386-000 (737925)
IGBT Gate Driver Board	031-02762-002	J3	025-19671-000 (737534)	025-19673-000 (2156)
IGBT Gate Driver Board	031-02762-002	J4	025-19672-000 (187)	N/A
IGBT Gate Driver Board	031-02762-002	J5 and J6	Assembly # 571-05558-201 (998293)	N/A
IGBT Gate Driver Board	031-02762-002	J7 and J8	Assembly # 571-05558-211 (998294)	N/A
IGBT Gate Driver Board	031-02762-002	J10	Assembly # 571-05558-231 (998298)	N/A
IGBT Gate Driver Board	031-02762-002	J11	Assembly # 571-05558-221 (998296)	N/A
Ambient Temperature at Sensor	N/A	N/A	025-29130-000 (738262)	025-28386-000 (737925)
Ambient Temperature at Cable	N/A	N/A	025-32564-000 (738737)	025-30999-000 (738540)

## 1300HP VARIABLE SPEED DRIVE

**TABLE 10 - CPC CONNECTORS**

CPC CONNECTORS	HOUSING PART NUMBER (SAP)	PIN PART NUMBER (SAP)	COMPLETE CABLE (SAP)
OptiView Communication	025-46061-000 (1154755)	025-46062-000 (1081158)	571-06172-209 (5146061)

**TABLE 11 - POWER WIRING (ALL POWER WIRING KITS INCLUDE WIRE FOR ALL THREE PHASES)**

ITEM NUMBER	SECTION	YORK PART NUMBER	SAP	FIGURE
40	Input Power Wiring (from input power fuses to input of 1L/2L)	571-06172-224	5146065	1
41	Input Power Wiring (from output of 1L/2L to input of supply contactor)	571-06172-229	5146067	1
11	Inverter Power Wiring (from Inverter to motor terminal connection)	571-06172-242	5146071	13



P.O. Box 1592, York, Pennsylvania USA 17405-1592  
Copyright © by Johnson Controls 2016  
Form 160.00-RP8 (1016)  
Issue Date: October 18, 2016  
New Release

800-861-1001  
[www.johnsoncontrols.com](http://www.johnsoncontrols.com)

Subject to change without notice. Printed in USA  
ALL RIGHTS RESERVED