



CENTRIFUGAL LIQUID CHILLERS

RENEWAL PARTS

New Release

Form 160.76-RP1 (1015)

UNIT COMPONENTS MODEL YK (STYLE H)



LD15222



Issue Date:
October 20, 2015

IMPORTANT!

READ BEFORE PROCEEDING!

GENERAL SAFETY GUIDELINES

This equipment is a relatively complicated apparatus. During rigging, installation, operation, maintenance, or service, individuals may be exposed to certain components or conditions including, but not limited to: heavy objects, refrigerants, materials under pressure, rotating components, and both high and low voltage. Each of these items has the potential, if misused or handled improperly, to cause bodily injury or death. It is the obligation and responsibility of rigging, installation, and operating/service personnel to identify and recognize these inherent hazards, protect themselves, and proceed safely in completing their tasks. Failure to comply with any of these requirements could result in serious damage to the equipment and the property in

which it is situated, as well as severe personal injury or death to themselves and people at the site.

This document is intended for use by owner-authorized rigging, installation, and operating/service personnel. It is expected that these individuals possess independent training that will enable them to perform their assigned tasks properly and safely. It is essential that, prior to performing any task on this equipment, this individual shall have read and understood the on-product labels, this document and any referenced materials. This individual shall also be familiar with and comply with all applicable industry and governmental standards and regulations pertaining to the task in question.

SAFETY SYMBOLS

The following symbols are used in this document to alert the reader to specific situations:



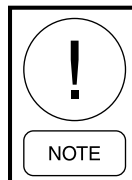
Indicates a possible hazardous situation which will result in death or serious injury if proper care is not taken.



Identifies a hazard which could lead to damage to the machine, damage to other equipment and/or environmental pollution if proper care is not taken or instructions are not followed.



Indicates a potentially hazardous situation which will result in possible injuries or damage to equipment if proper care is not taken.



Highlights additional information useful to the technician in completing the work being performed properly.



External wiring, unless specified as an optional connection in the manufacturer's product line, is not to be connected inside the OptiView cabinet. Devices such as relays, switches, transducers and controls and any external wiring must not be installed inside the micro panel. All wiring must be in accordance with Johnson Controls' published specifications and must be performed only by a qualified electrician. Johnson Controls will NOT be responsible for damage/problems resulting from improper connections to the controls or application of improper control signals. Failure to follow this warning will void the manufacturer's warranty and cause serious damage to property or personal injury.

CHANGEABILITY OF THIS DOCUMENT

In complying with Johnson Controls' policy for continuous product improvement, the information contained in this document is subject to change without notice. Johnson Controls makes no commitment to update or provide current information automatically to the manual or product owner. Updated manuals, if applicable, can be obtained by contacting the nearest Johnson Controls Service office or accessing the Johnson Controls QuickLIT website at <http://cgproducts.johnsoncontrols.com>.

It is the responsibility of rigging, lifting, and operating/service personnel to verify the applicability of these documents to the equipment. If there is any question

regarding the applicability of these documents, rigging, lifting, and operating/service personnel should verify whether the equipment has been modified and if current literature is available from the owner of the equipment prior to performing any work on the chiller.

CHANGE BARS

Revisions made to this document are indicated with a line along the left or right hand column in the area the revision was made. These revisions are to technical information and any other changes in spelling, grammar or formatting are not included.

MANUAL DESCRIPTION	FORM NUMBER
Variable Speed Drive – Operation	160.00-O1
Solid State Starter – Operation and Maintenance	160.00-O2
Installation – Unit	160.76-N1
Optiview™ Control Center – Operation and Maintenance	160.54-O1
Wiring Diagram – Field Connections for YK Chiller (Style H) OptiView Control Center with Remote Low or Medium Voltage EMS or Unit Mounted Low or Medium Voltage SSS	160.76-PW1
Wiring Diagram – Field Connections for YK Chiller (Style H) OptiView Control Center with Remote Medium Voltage SSS	160.76-PW2
Wiring Diagram – Field Connections for YK Chiller (Style H) OptiView Control Center with Remote Medium Voltage VSD	160.76-PW3
Wiring Diagram – Field Control Modifications for YK Chiller (Style H)	160.76-PW4
Wiring Diagram – YK Chiller (Style H) OptiView Control Center with Remote Low or Medium Voltage EMS	160.76-PW5
Wiring Diagram – YK Chiller (Style H) OptiView Control Center with LTC I/O Board with Remote Low or Medium Voltage EMS	160.76-PW6
Wiring Diagram – YK Chiller (Style H) OptiView Control Center w/ LTC I/O Board with Unit Mounted Low or Medium Voltage SSS, Unit Mounted Low Voltage VSD with Modbus or Remote Medium Voltage VSD	160.76-PW7

TABLE OF CONTENTS

TABLE 1 - Unit Components (Q3-Q7 Compressors)	5
TABLE 2 - Unit Piping (Q3-Q7 Compressors).....	7
TABLE 3 - Oil Pump Housing (Q3-Q7 Compressors).....	11
TABLE 4 - Oil Filter Arrangements.....	13
TABLE 5 - Liquid Line Kit	15
TABLE 6 - Evaporator Relief Valves	17
TABLE 7 - Condenser Relief Valves	17
TABLE 8 - 2" Hot Gas Bypass	19
TABLE 9 - PRV Position Sensor Kit	20
TABLE 10 - Variable Speed Oil Pump Panel (NEMA 1).....	21
TABLE 11 - Variable Speed Oil Pump Panel (NEMA 4/12 & NEMA 4X).....	23
TABLE 12 - Variable Speed Oil Pump Control Panel (CE)	25
TABLE 13 - System Wiring Electro-Mechanical Starter	27
TABLE 14 - System Wiring Low Voltage Solid State Starter.....	35
TABLE 15 - System Wiring Medium Voltage Solid State Starter	43
TABLE 16 - System Wiring Variable Speed Drive	50
TABLE 17 - Motor Monitoring.....	58
TABLE 18 - 3/4" Evaporator Tubes.....	62
TABLE 19 - 3/4"and 1" Condenser Tubes.....	64
TABLE 20 - Condenser Compact Waterboxes 150 PSI.....	66
TABLE 21 - Condenser Marine Waterboxes 150 PSI	66
TABLE 22 - Evaporator Compact Waterboxes 150 PSI.....	67
TABLE 23 - Evaporator Marine Waterboxes 150 PSI	67
TABLE 24 - Neoprene Vibration Isolators	68
TABLE 25 - Spring Isolators.....	68
TABLE 26 - Current Transformer Kit And Transformer Only	69
TABLE 27 - Control Panel.....	70
TABLE 28 - Autogreaser	74
TABLE 29 - Multiple Unit Sequence Kit (Two Unit).....	77
TABLE 30 - Multiple Unit Sequence Kit (Three Unit)	77
TABLE 31 - Multiple Unit Sequence Kit (Four Unit)	77
TABLE 32 - Consumables.....	78
TABLE 33 - Flow Switch Control.....	78
TABLE 34 - Differential Pressure Control	78
TABLE 35 - Common Piping Parts.....	78
TABLE 36 - Electrical Connectors.....	79
TABLE 37 - Recommended Spares	79

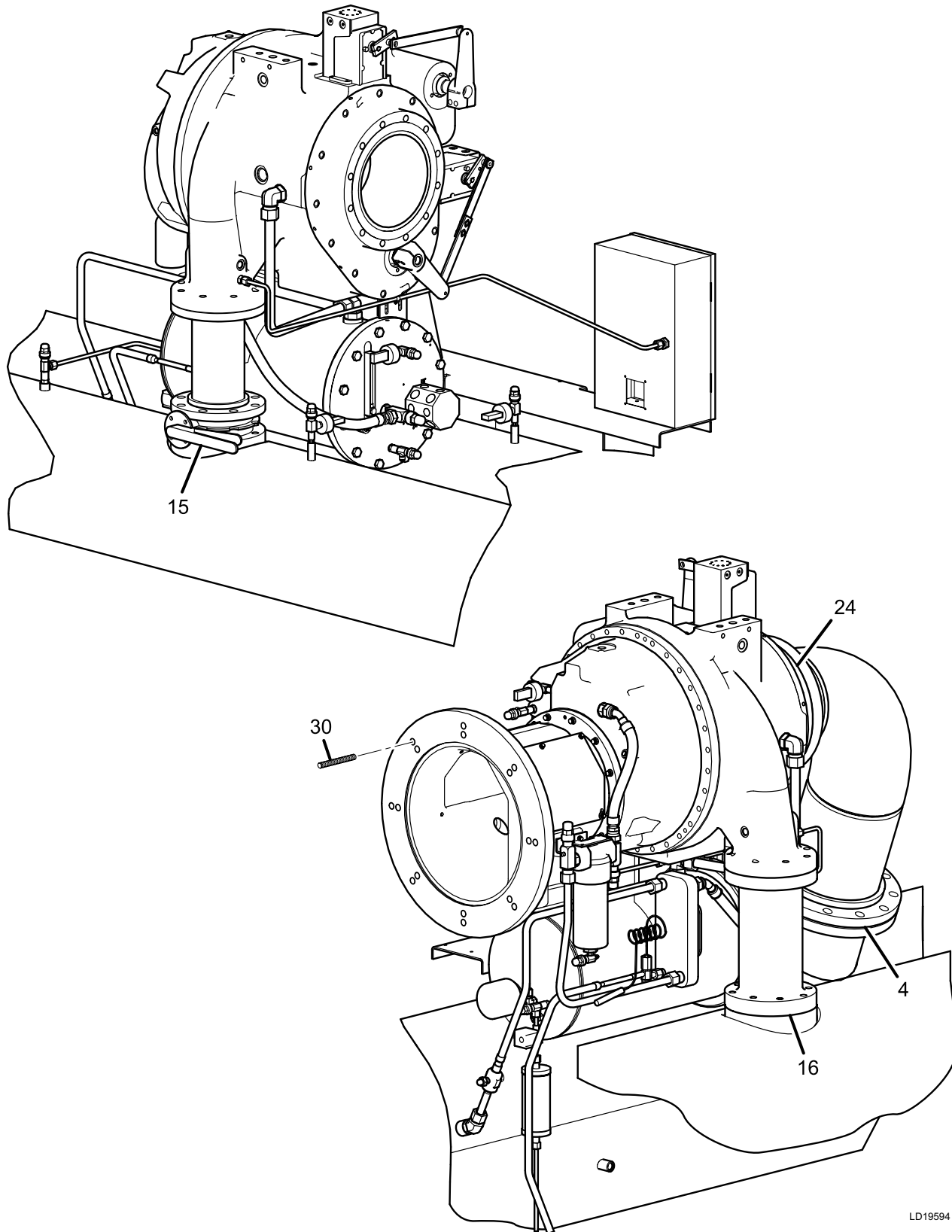
Q3 - Q7 COMPRESSORS UNIT COMPONENTS

TABLE 1 - UNIT COMPONENTS (Q3-Q7 COMPRESSORS)

ITEM	EVAP CODE	DESCRIPTION	PART NUMBER	SAP	FIGURE
4	2C, 2D, 2E, 4C, 4D, 4E, 4F, 4G, 4H, 4I	Gasket, Round Ansi 10.00-150# Q3, Q4	028-15075-014	741978	1
	4C, 4D, 4E, 4F, 4G, 4H, 4I, 6A, 6B, 6D, 6E, 6F	Gasket, Round Ansi 12.00-150# (Q5 - Q7)	028-15075-015	741979	
5	2C, 2D, 2E	Compr Support Bracket Q3	392-29595-000	5136522	*
	4C, 4D, 4E, 4F, 4G, 4H, 4I		392-28849-000	5133910	
	2C, 2D, 2E	Compr Support Bracket Q4	392-34144-000	5136525	
	4C, 4D, 4E, 4F, 4G, 4H, 4I		392-28851-000	5133911	
	4C, 4D, 4E, 4F, 4G, 4H, 4I	Compr Support Bracket Q5	392-34145-000	5134414	
	6A, 6B, 6D, 6E, 6F	Compr Support Bracket Q5 (Condenser Code 6P, 6Q, 6R, 6S, 6T, 63, 64)	392-34308-000	5138366	
	6A, 6B, 6D, 6E, 6F	Compr Support Bracket (Q5, Q6)	392-34300-000	5138364	
	4C, 4D, 4E, 4F, 4G, 4H, 4I	Compr Support Bracket Q6	392-34146-000	5134415	
	6A, 6B, 6D, 6E, 6F		392-34551-000	5138371	
	4C, 4D, 4E, 4F, 4G, 4H, 4I	Compr Support Bracket Q7	392-34146-000	5134415	
	6A, 6B, 6D, 6E, 6F	Compr Support Bracket Q7	392-34262-000	5138357	
		Compr Support Bracket Q7 (Condenser Code 6P, 6Q, 6R, 6S, 6T, 63, 64)	392-34549-000	5138370	
7	2C, 2D, 2E, 4C, 4D, 4E, 4F, 4G, 4H, 4I	O-Ring Neo1 02.600ld .210Thk M	028-14469-000	741886	*
15	2C, 2D, 2E, 4C, 4D, 4E, 4F, 4G, 4H, 4I	Valve Butterfly Size 5 (Q3, Q4)	022-10641-005	147048	1
	4C, 4D, 4E, 4F, 4G, 4H, 4I, 6A, 6B, 6D, 6E, 6F	Valve Butterfly Size 6 (Q5, Q6, Q7)	022-10641-006	116118	
16	2C, 2D, 2E, 4C, 4D, 4E, 4F, 4G, 4H, 4I	Gasket, Round Ansi 5.00-150# (Q3, Q4)	028-15075-011	741976	1
	4C, 4D, 4E, 4F, 4G, 4H, 4I, 6A, 6B, 6D, 6E, 6F	Gasket, Round Ansi 6.00-150# (Q5 - Q7)	028-15075-012	705347	
24	2C, 2D, 2E, 4C, 4D, 4E, 4F, 4G, 4H, 4I	Gasket, Round 10" O.d. 12.75 (Q3 - Q4)	028-15129-301	742090	1
	4C, 4D, 4E, 4F, 4G, 4H, 4I, 6A, 6B, 6D, 6E, 6F	Gasket, Round 12" O.d. 15.25 (Q5 - Q7)	028-15129-302	742091	
30	2C, 2D, 2E, 4C, 4D, 4E, 4F, 4G, 4H, 4I	Stud Conts Thd 3/4-10 X 3-1/2"	021-12772-000	729659	1

NOTE: Items with an * are NOT represented.

Q3 - Q6 COMPRESSORS UNIT COMPONENTS



LD19594

FIGURE 1 - UNIT COMPONENTS (Q3-Q7 COMPRESSORS)

Q3 - Q7 COMPRESSORS UNIT PIPING

TABLE 2 - UNIT PIPING (Q3-Q7 COMPRESSORS)

ITEM	DESCRIPTION	PART NUMBER	QUANTITY	FIGURE
5	Solenoid, Valve 3/8 ORFS	025-47111-006	1	2
5A	Coil, Service Replacement	025-47112-000	1	2
5B	Kit, Valve Body Rebuild	025-37840-001	1	*
6	Oil Cooler	026-37549-000	1	2/4
7	Valve, Thermal Expansion	025-35133-000	1	2
7A	O-ring, Neoprene .489ID .070THK	028-12961-013	1	2
8	Elbow, 3/4 OD Tube Male	023-18291-000	1	2
9	Elbow, 1" OD Tube 90° Male	023-18292-000	2	3/4
13	Hose, Refrig. ORFS 3/4 x 28	026-45976-027	1	3/4
17	Elbow, 3/8 OD x .035 x 8-12	023-18980-000	3	4
20	Tube Steel 1 Od X .065 X	003-03515-000	4	4
23	Gasket, Flare 3/8 OD Tube	028-01258-000	2	2/3
24	Cap, Flare 3/8 OD Tube	023-00977-000	2	2
26	O-ring, Neoprene .489 ID .070 THK	028-12961-013	1	2
27	O-ring, Neoprene .924 ID .116 THK	028-12961-006	1	2
30	Coupling, Std C x C 3/4 x 1/2	023-16299-000	1	2
31	O-ring, Neoprene .739 ID .070 THK	028-12961-015	7	2/3/4
32	O-ring, Neoprene .926 ID 0.70 THK	028-12961-016	2	4
43	Transducer, Pressure	025-28678-006	3	2/3
44	Transducer, Pressure	025-28678-115	1	3
47	Connector, 3/8 OD Tube Male	023-25551-000	1	3
53	Valve, Ball 3/4 ID x 3/4 OD M	022-11685-000	1	2
55	Bottle, High Density	028-10579-000	1	3
58	Valve, Stop Angle Vertical	022-09577-000	1	3
59	O-ring, Neoprene .351 ID .072 THK	028-12961-001	1	3
154	Filter, Drier 3/8 ORFS	026-37563-000	1	2
164	O-ring, Neoprene .414 ID x .072 THK	028-12961-002	4	2/3
165	O-ring, Neoprene .364 ID x .070 THK	028-12961-012	11	2/3/4
166	O-ring, Neoprene .468 ID x .078 THK	028-12961-003	4	2/3/4
167	O-ring, Neoprene 1.17 ID x .116 THK	028-12961-008	2	3/4

NOTE: Items with an * are NOT represented.

Q3 - Q7 COMPRESSORS UNIT PIPING

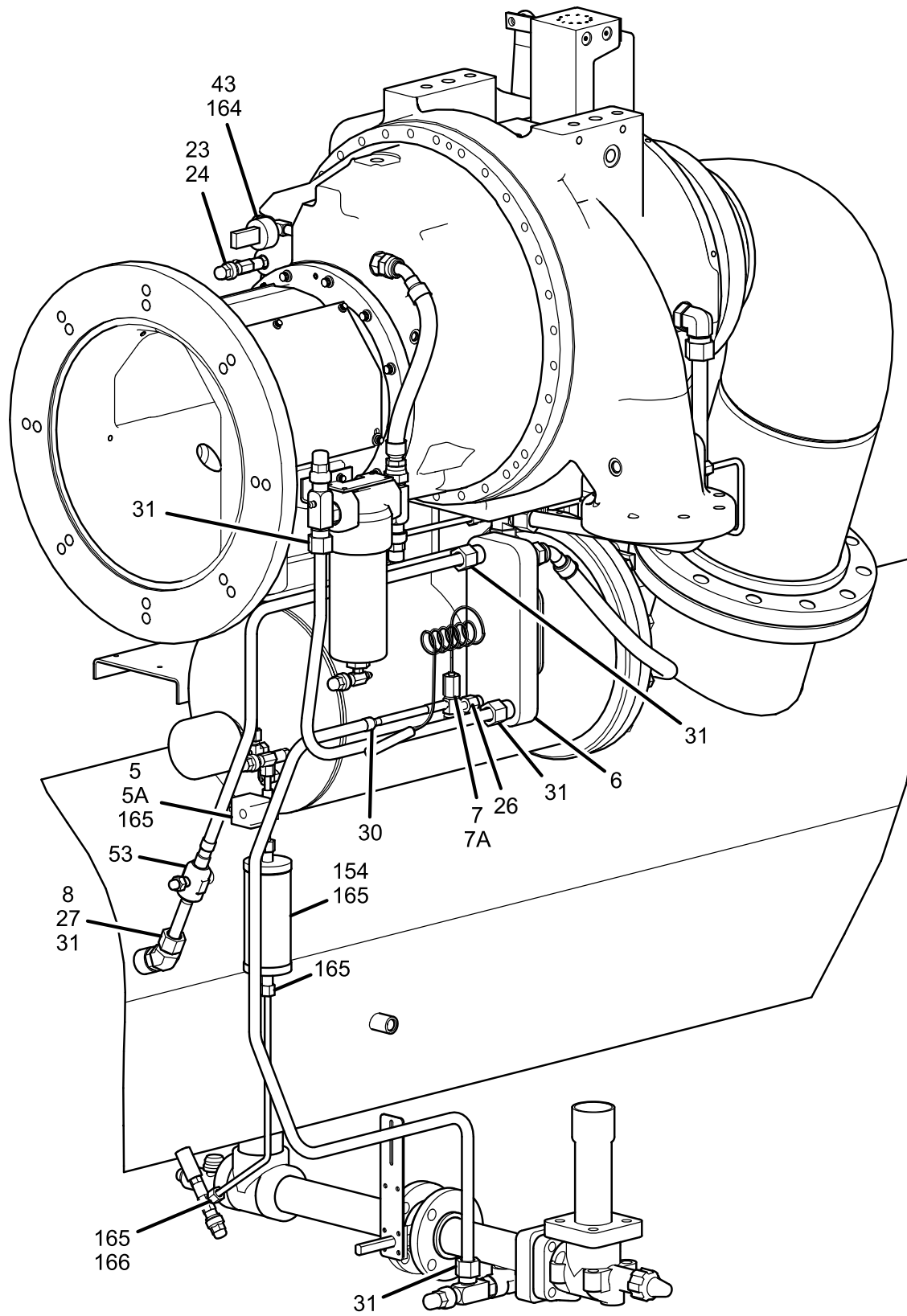
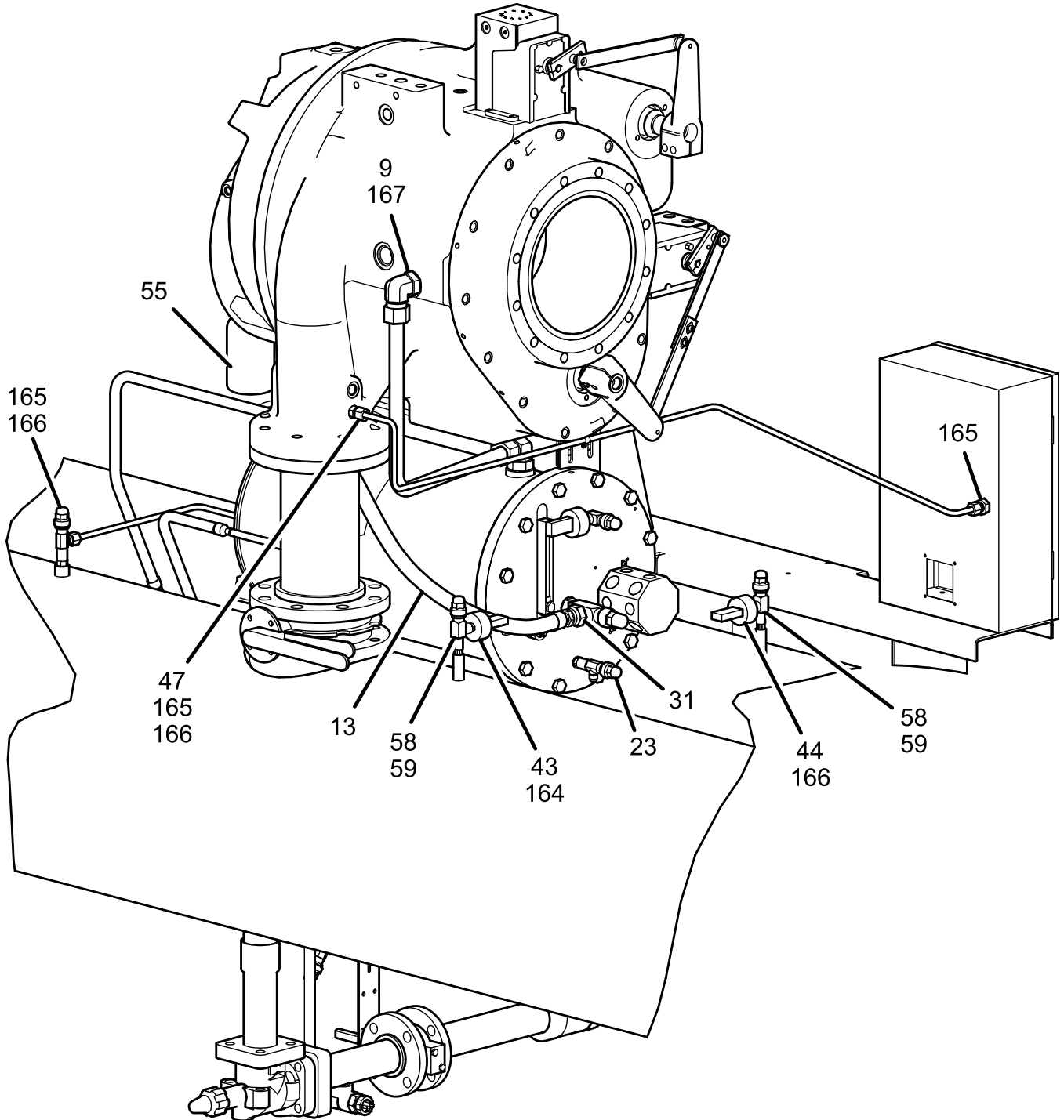


FIGURE 2 - UNIT PIPING (Q3 - Q7 COMPRESSORS)

LD19595

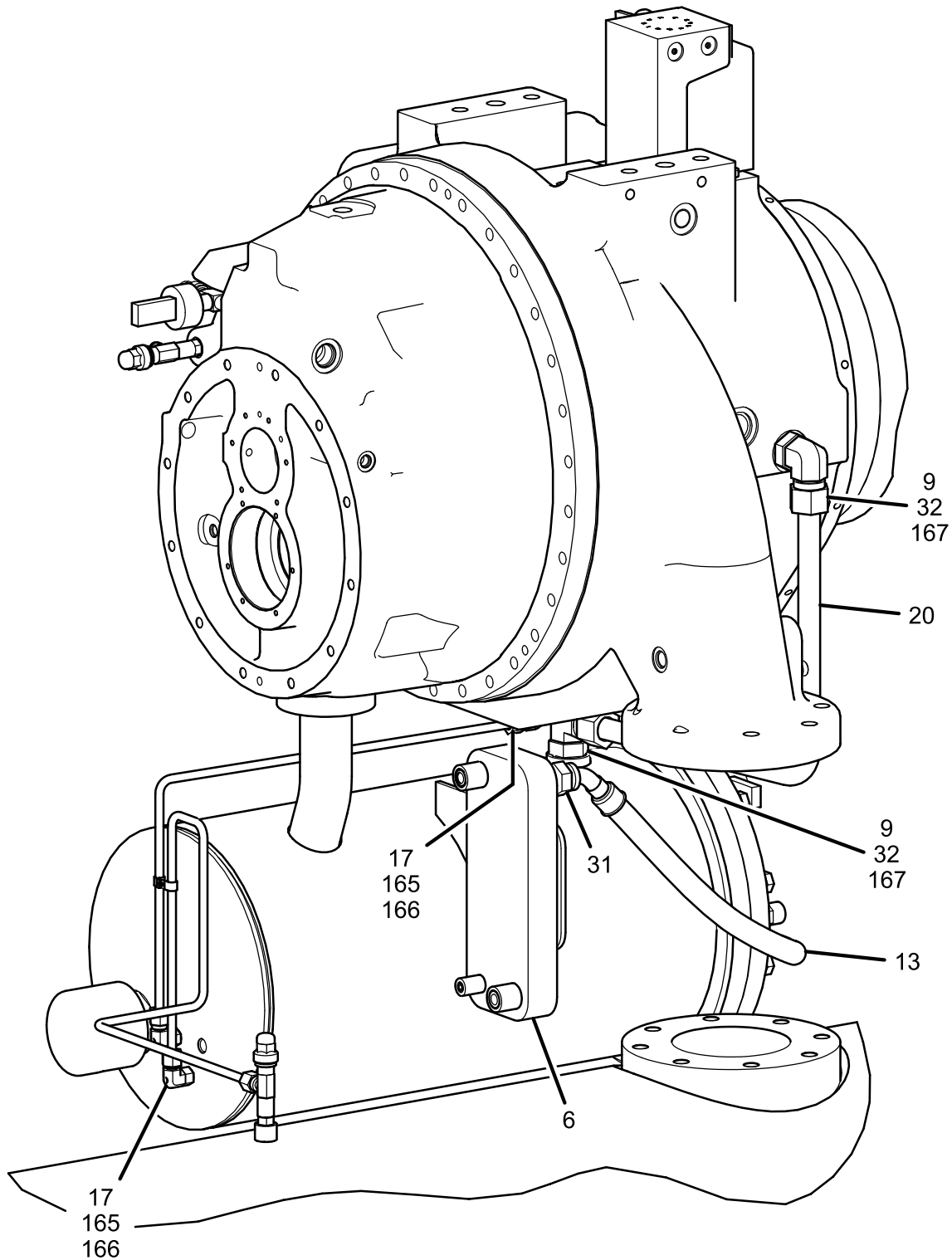
Q3 - Q7 COMPRESSORS UNIT PIPING (CONT'D)



LD19596

FIGURE 3 - UNIT PIPING (Q3 - Q7 COMPRESSORS)

Q3 - Q7 COMPRESSORS UNIT PIPING (CONT'D)



LD19597

FIGURE 4 - UNIT PIPING (Q3 - Q7 COMPRESSORS)

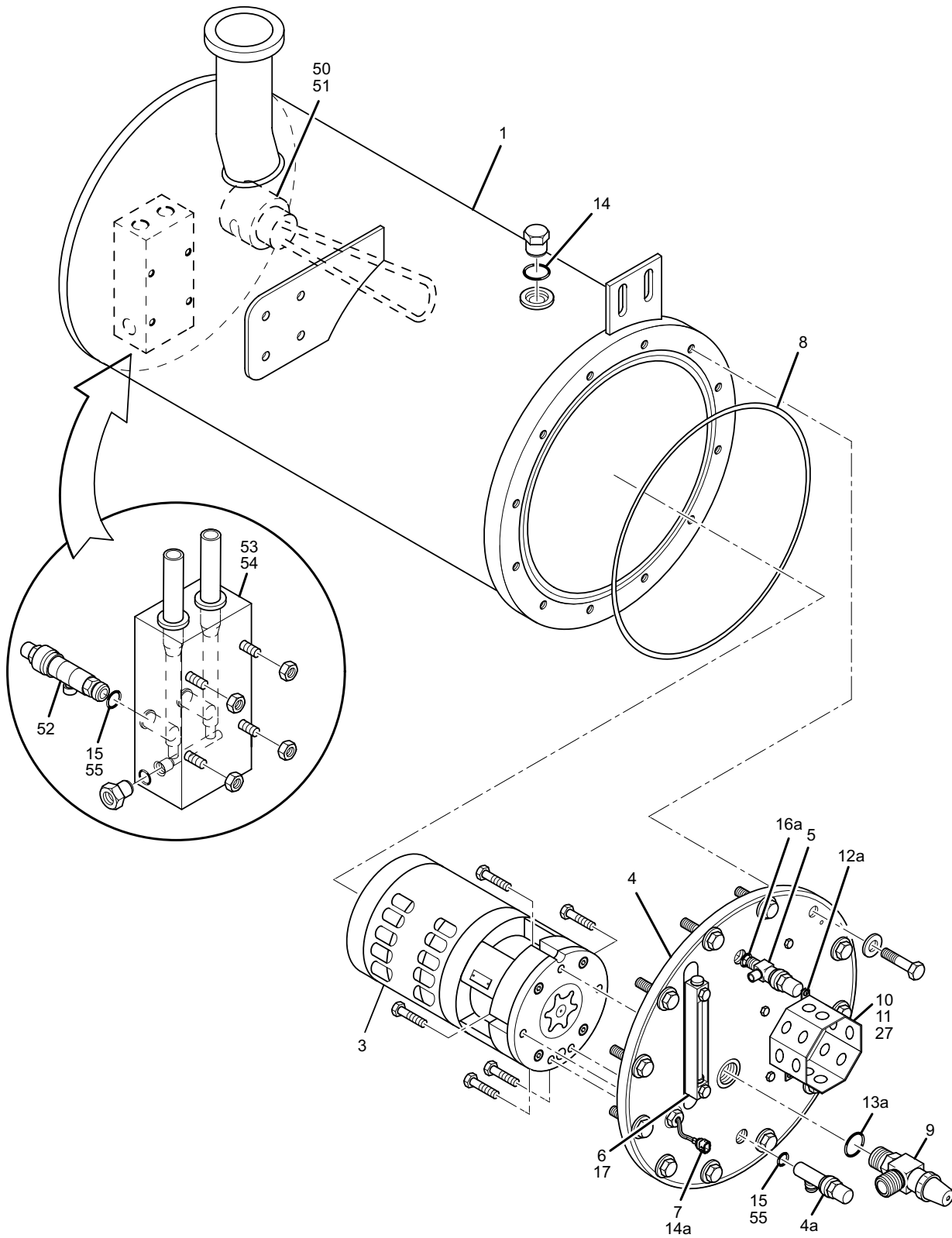
Q3 - Q7 COMPRESSORS OIL PUMP HOUSING

TABLE 3 - OIL PUMP HOUSING (Q3-Q7 COMPRESSORS)

ITEM	DESCRIPTION	PART NUMBER	SAP	FIGURE
1	Body Oil Pump Hsg Q3 & Q4 (Complete)	392-21983-000	1171664	5
	Body Oil Pump Hsg Q3 & Q4 (ASME) (N4, N12, N4x)	392-21984-000	1171665	
	Body Oil Pump Housing Q3 & Q4 (CE)	392-21984C000	5121434	
	Body Oil Pump Hsg Q5, Q6 & Q7 (Complete)	392-21985-000	1171666	
	Body Oil Pump Hsg Q5, Q6 & Q7 (ASME) (N4, N12, N4x)	392-21986-000	1171667	
	Body Oil Pump Hsg Q5, Q6 & Q7 (CE)	392-21986C000	1171668	
3	Pump Oil 20 Gpm	026-46326-002	632455	5
4	Plate Cover Machining Oil Pump	075-46360-000	751684	5
	Plate Cover Oil Pump Housing (ASME) (N4, N12, N4x)	075-54037-000	622690	
	Plate Cover Oil Pump Housing (CE)	075-85131C000	625107	
4a	Valve IsIn Angle Sc 8In Thd Sc	022-09578-000	588690	5
5	Valve Stop Ang Vertical	022-09577-000	617078	5
	Valve Stop Angle Vert W/Flare Port 7/16 (ASME)	022-12388-000	880841	
6	Gage Liquid Level Sight Front	026-37571-000	118815	5
6a	Plug Sight 1-1/8 -18 Unef-2A (CE)	026-35029-000	47854	*
7	Sensor Temp 50,000 Ohms Din	025-39993-000	618222	5
	Sensor Temp 50000 Ohms (ASME) (N4, N12, N4x)	025-31134-000	53427	
8	O-Ring Neo1 13.475Id .275Thk M	028-11977-000	618633	5
9	Valve Stop Ang Vertical	022-10047-000	617115	5
10	Box Elec 4 Octagon X 4 Deep	025-33238-000	618199	5
	Box Junction With Filter Board (ASME) (N4, N12, N4x)	025-45067-000	823887	
11	Cover Filter Output Assy	375-26580-000	627474	5
12a	Screw Mach Pan Hd Recd 1	021-03741-000	616707	5
	Screw Mach Pan Hd Recd 1 (ASME) (N4, N12, N4x)	021-01722-000	616693	
13a	O-Ring Size=912 2.90 23.50Mm Neo1 N N/A	028-12961-006	588821	5
14	O-Ring Size=916 2.90 29.70Mm Neo1 N N/A	028-12961-008	588822	5
14a	O-Ring Size=908 2.20 16.40Mm Neo1 N N/A	028-12961-004	588819	5
15	O-Ring Size=906 2.00 11.90Mm Neo1 N N/A	028-12961-003	588818	5
16a	O-Ring Size=904 1.83 8.90Mm Neo1 N N/A	028-12961-001	588817	5
17	O-Ring Neo1 00.487Id .103Thk M	028-12961-035	618659	5
18	Terminal Hv Fused Glass	025-32933-000	618196	*
27	O-Ring Neo1 00.989Id .070Thk M (CE)	028-12961-018	588824	5
50	Heater Elec Immer 1000 W	025-34523-000	618213	5
	Heater Elec Immer 1000W (ASME) (N4, N12, N4x)	025-36094-000	618216	
51	O-Ring Size=224 3.50 44.00Mm Neo1 N N/A	028-05188-000	588788	5
52	Valve Stop Ang Vertical	022-10054-000	617117	5
53	Block Oil Eductor Special K	026-37553-000	618436	5
54	O-Ring Size=114 2.60 15.50Mm Neo1 N N/A	028-11999-000	48234	5
55	O-Ring Size=906 2.00 11.90Mm Neo1 N N/A	028-12961-003	588818	5

NOTE: Items with an * are NOT represented.

Q3 - Q7 COMPRESSORS OIL PUMP HOUSING ASSEMBLY



LD13598

FIGURE 5 - OIL PUMP HOUSING ASSEMBLY (Q3 - Q7 COMPRESSORS)

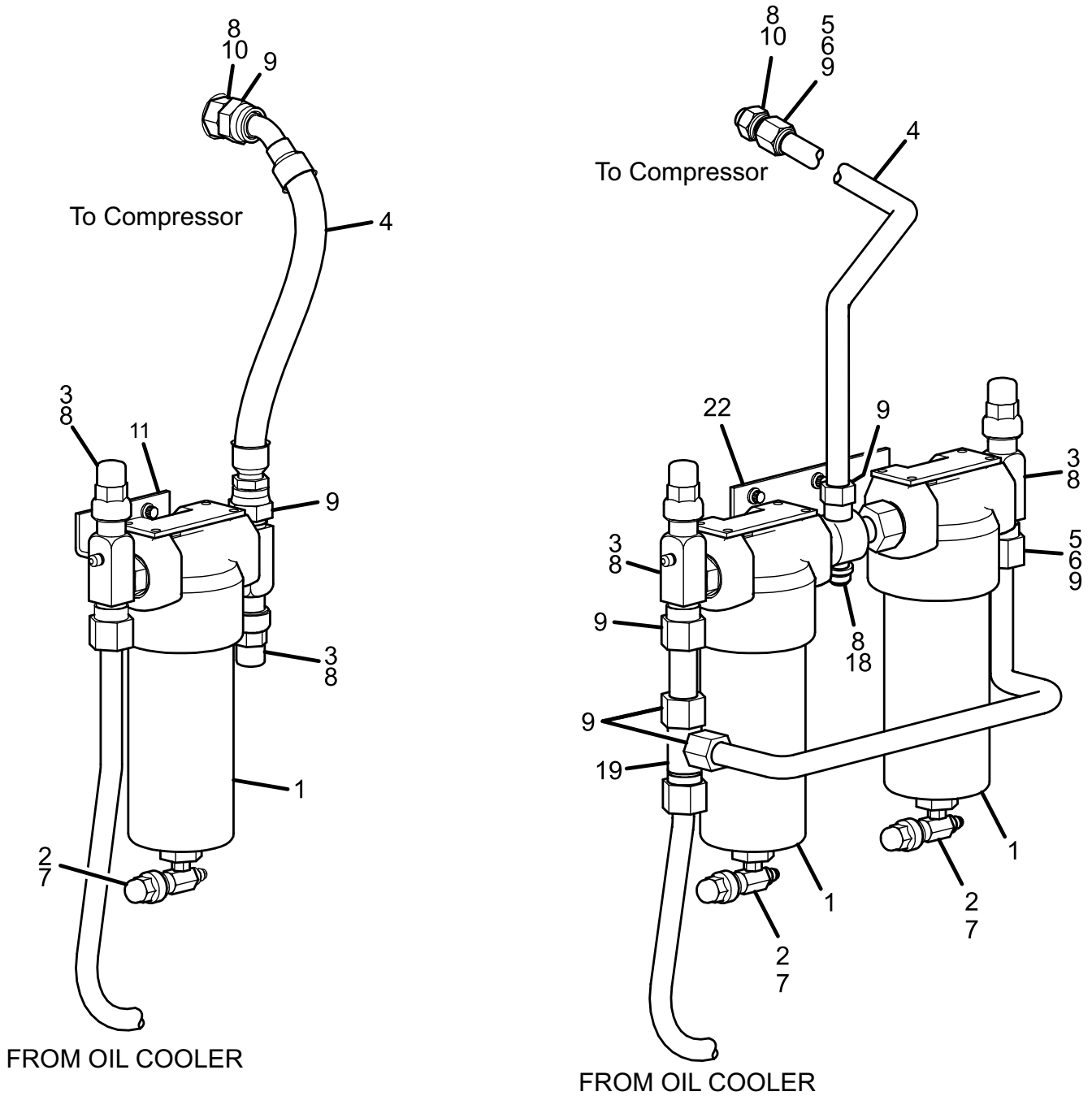
OIL FILTER ARRANGEMENTS SINGLE AND DUAL FILTERS

TABLE 4 - OIL FILTER ARRANGEMENTS

ITEM	DESCRIPTION	PART NUMBER	QUANTITY/ UNIT	FIGURE
SINGLE OIL FILTER				
1a	Filter Element, Replacement	026-32831-000	1	*
1b	O-ring, Filter Housing 3.484ID .139THK	028-14404-000	1	*
1	Filter, Oil Seubert Housing w/	026-47427-000	1	6
2	Valve, Stop Angle Vertical	022-10092-000	1	6
3	Valve, Stop Angle Vertical	022-10046-000	2	6
4	Refrig. and Hose Assy. 3/4 x 17	026-39123-018	1	6
7	O-ring, Neoprene .351 ID .072 Thk	028-12961-001	1	6
8	O-ring, Neoprene .924 ID .116 thk	028-12961-006	2	6
9	O-ring, Neoprene .739 ID .070 thk	028-12961-015	1	6
10	Connr, 3/4 OD Tube Male	023-18290-000	1	6
11	Bracket Single Oil Filter	092-15667-000	1	6
DUAL OIL FILTERS				
1	Filter, Oil	026-37589-000	2	6
	Filter, Oil Hydac Housing	026-37589-001	2	
1a	Filter Element, Replacement	026-32831-000	2	*
1b	O-ring, Filter Housing 3.484ID .139THK	028-14404-000	2	*
1	Filter, Oil Seubert Housing w/	026-47427-000	2	6
2	Valve, Stop Angle Vertical	022-10092-000	2	6
3	Valve, Stop Angle Vertical	022-10046-000	2	6
7	O-ring, Neoprene .351 ID .072 THK	028-12961-001	2	6
8	O-ring, Neoprene .924 ID .116 THK	028-12961-006	5	6
9	O-ring, Neoprene .739 ID .070 thk	028-12961-015	6	6
10	Connr, 3/4 OD Tube Male	023-18290-000	1	6
18	Valve, 3-way Ball	022-10094-000	1	6
19	Tee, Union 3/4	023-18913-000	1	6
22	Bracket Dual Oil Filter	075-82934-000	1	6

NOTE: Items with an * are NOT represented.

OIL FILTER ARRANGEMENTS SINGLE AND DUAL FILTERS



LD12997

FIGURE 6 - OIL FILTER ARRANGEMENTS

VARIABLE ORIFICE
2" OPTION WITH ISOLATION VALVE
(Q3 - Q7 COMPRESSORS)

TABLE 5 - LIQUID LINE KIT

ITEM	DESCRIPTION	PART NUMBER	SAP	QUANTITY	FIGURE
1	Pipe Liquid Line (With Isolation)	375-72137-001	605356	1	7
2	Valve Butterfly Size 2	022-10642-002	617132	1	7
3	Valve Stop Compr 2-5/8 Od	022-10048-000	617116	1	7
4	Flange Rd Rf 150# S/O 2.00"	023-02632-000	731663	1	7
5	Flange Rd Rf 150#Wn Std 2.00"	023-03203-000	617349	1	7
6	Flange Liquid Line	075-38499-000	621532	1	7
7	Liquid Line 2 Inch (Evap 2 /Cond 2)	092-34224-000	5136514	1	7
	Liquid Line 2 Inch (Evap 4 /Cond 4)	092-29559-000	5133903		
	Liquid Line 2 Inch (Evap 6 /Cond 4)	092-34249-000	5138333		
	Liquid Line 2 Inch (Evap 6 /Cond 6)	092-34291-000	5138335		
9	Valve Isln Angle Sc 8In Thd Sc	022-09578-000	588690	1	7
11	Valve Stop Ang Vertical	022-10047-000	617115	1	7
12	O-Ring Size=912 2.90 23.50Mm Neo1 N N/A	028-12961-006	588821	2	7
13	Sensor Temperature 3000 Ohms	025-39517-000	118035	1	7
15	O-Ring Size=906 2.00 11.90Mm Neo1 N N/A	028-12961-003	588818	1	7
16	Hcs5 0.625-11 X 2.500 Gr 5 Zn	021-32010-020	616904	4	7
17	Hcs5 0.625-11 X 4.500 Gr 5 Zn	021-32010-036	616908	8	7
18	Nut Hex 0.625-11 X Gr 5 Zn	021-32010-501	616911	4	7
19	Gasket, Round Ansi 4.00-150# (Without Isolation)	028-15075-010	689698	1	7
20	Gasket 2 Inch Valve	064-47078-000	540307	1	7
21	Gasket Flange For Valve	028-16779-000	1041142	1	7
25	Valve Ball 2 S.W. Full Port	022-08752-000	617056		

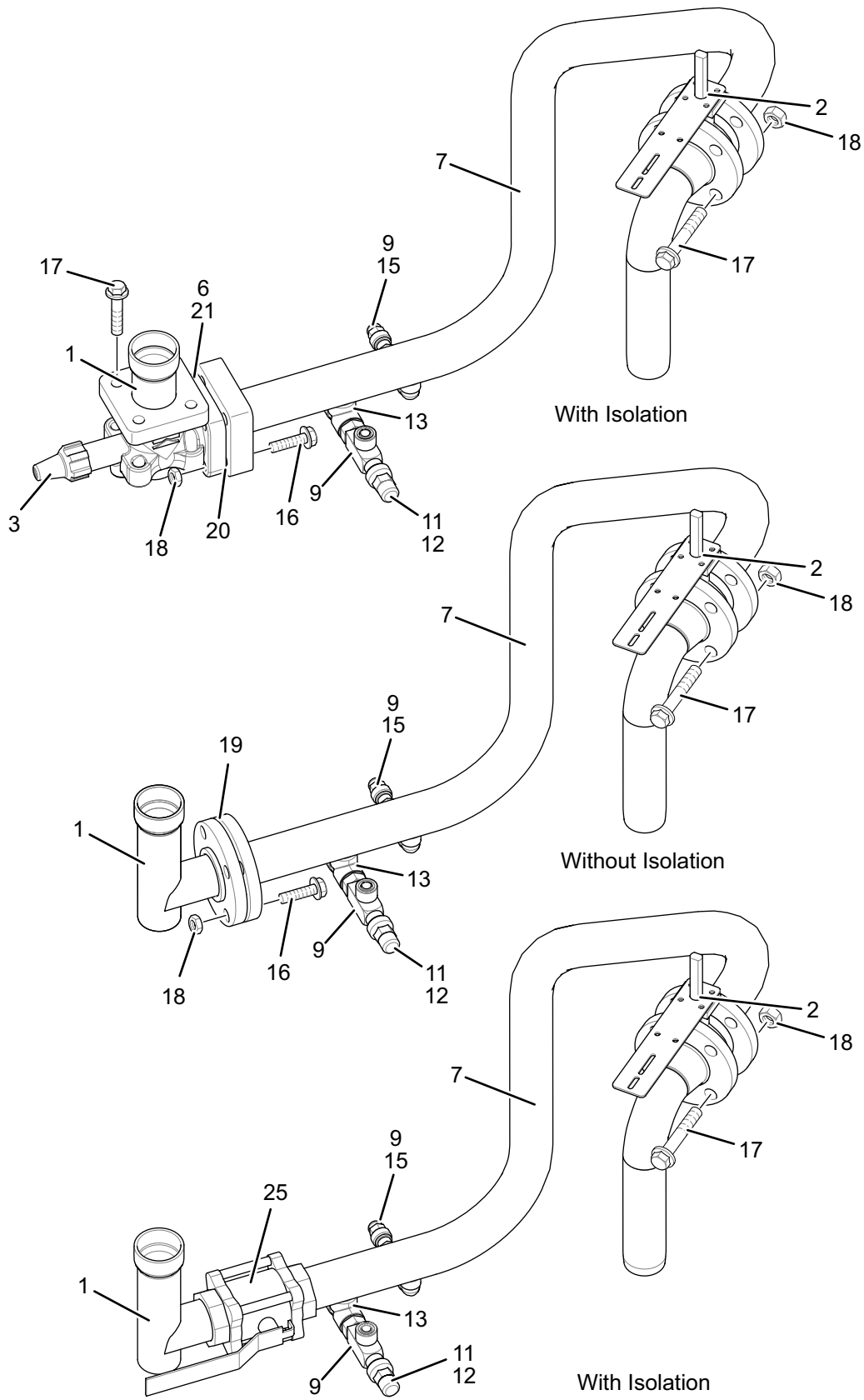


FIGURE 7 - VARIABLE ORIFICE (2") STANDARD YK

LD19815

RELIEF VALVES

TABLE 6 - EVAPORATOR RELIEF VALVES

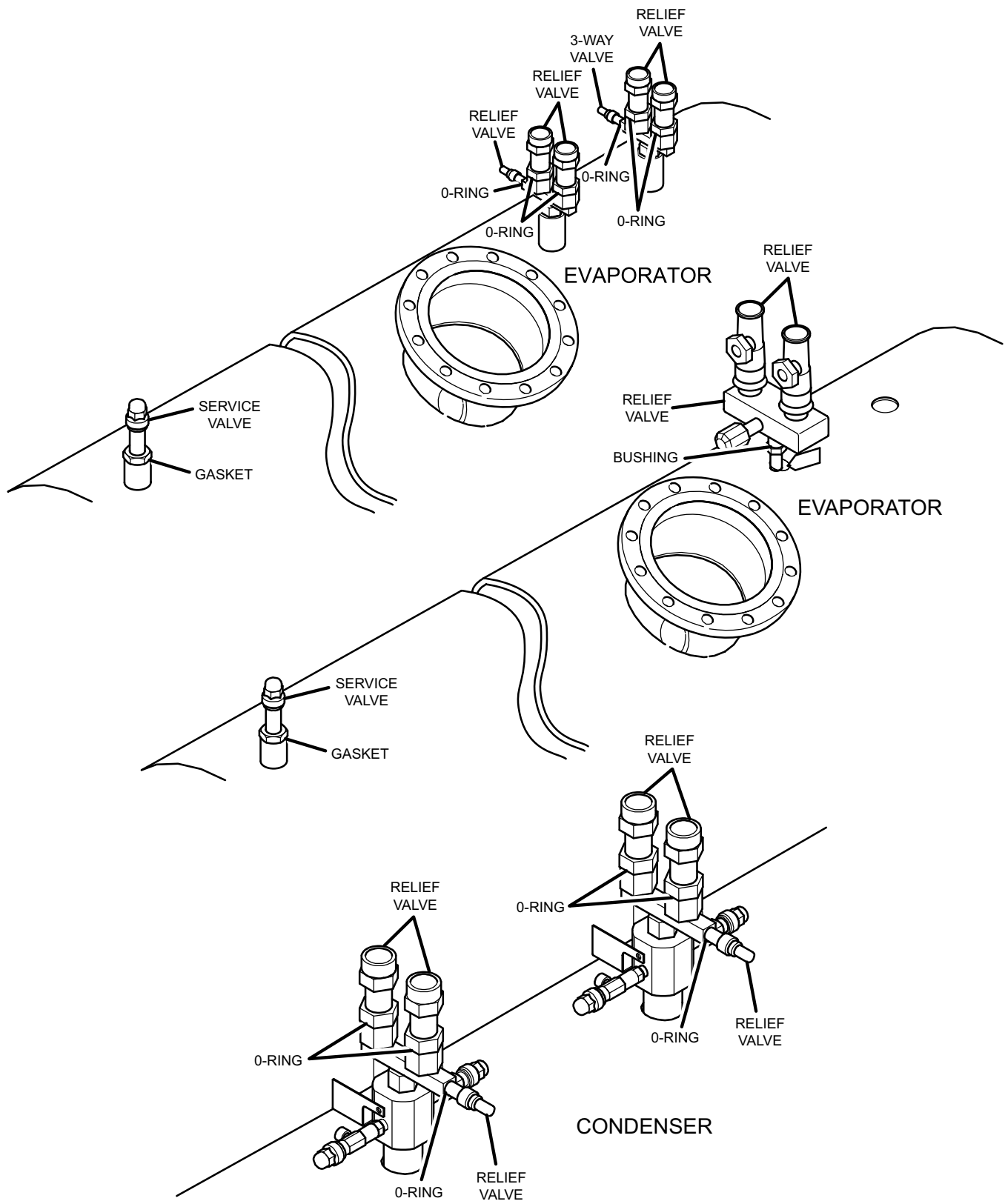
EVAPORATOR WITHOUT ISOLATION VALVE					
ITEM	DESCRIPTION	PART NUMBER	SAP	QUANTITY	FIGURE
1	Valve, Relief 1-5/16 -12Un-2A	022-10078-000	4102	2	8
2	Valve, Stop 3 Way 1-5/16-12Un-2A	022-12411-000	1135055	1	8
3	O-Ring Size=916 2.90 29.70Mm Neo1 N N/A	028-12961-008	588822	3	8

EVAPORATOR WITH ISOLATION VALVE					
ITEM	DESCRIPTION	PART NUMBER	SAP	QUANTITY	FIGURE
1	Valve, Relief 1-5/16 -12Un-2A	022-10078-000	4102	1	8
3	O-Ring Size=916 2.90 29.70Mm Neo1 N N/A	028-12961-008	588822	1	8

TABLE 7 - CONDENSER RELIEF VALVES

CONDENSER					
ITEM	DESCRIPTION	PART NUMBER	SAP	QUANTITY	FIGURE
1	Valve, Relief 1-5/16 -12Un-2A	022-10078-000	4102	2	8
2	Valve, Stop 3 Way 1-5/16-12Un-2A	022-12411-000	1135055	1	8
3	O-Ring Size=916 2.90 29.70Mm Neo1 N N/A	028-12961-008	588822	3	8

RELIEF VALVES (CONT'D)



LD13049a

FIGURE 8 - RELIEF VALVES

HOT GAS BYPASS COMPONENTS

TABLE 8 - 2" HOT GAS BYPASS

ITEM	DESCRIPTION	PART NUMBER	SAP	QUANTITY/ UNIT	FIGURE
1	Valve Butterfly Size 2	022-10643-002	617136	1	9
5	Valve Stop Compr 2-5/8 Od	022-10048-000	617116	1	
7	Hcs5 0.625-11 X 4.500 Gr 5 Zn	021-32010-036	616908	8	9
	Hcs5 0.625-11 X 4.500 Gr 5 Zn w/o Isolation Valve			4	
8	Hcs5 0.625-11 X 2.500 Gr 5 Zn	021-32010-020	616904	4	9
9	Nut Hex 0.625-11 X Gr 5 Zn	021-32010-501	616911	4	9
10	Gasket Flange	028-14463-000	618665	1	9
11	Gasket 2 Inch Valve	064-47078-000	540307	1	9

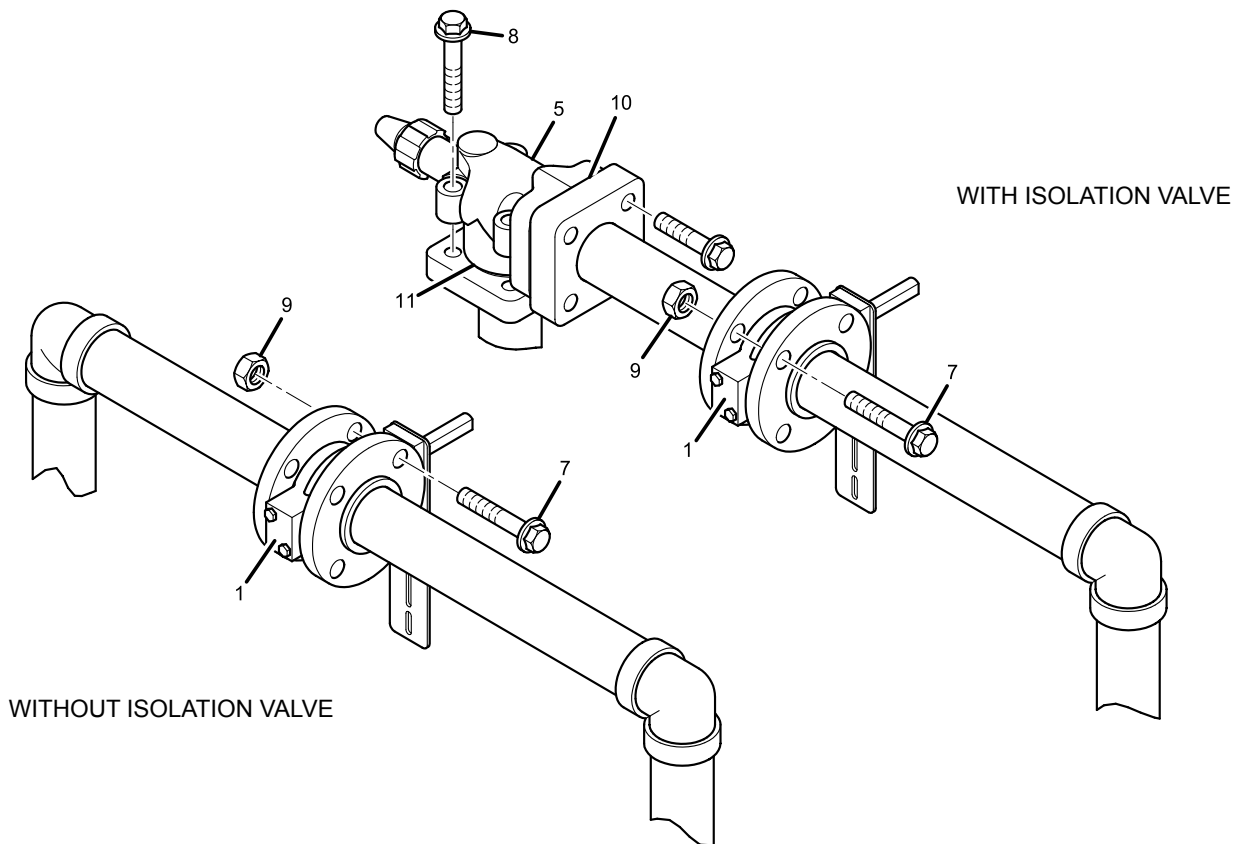


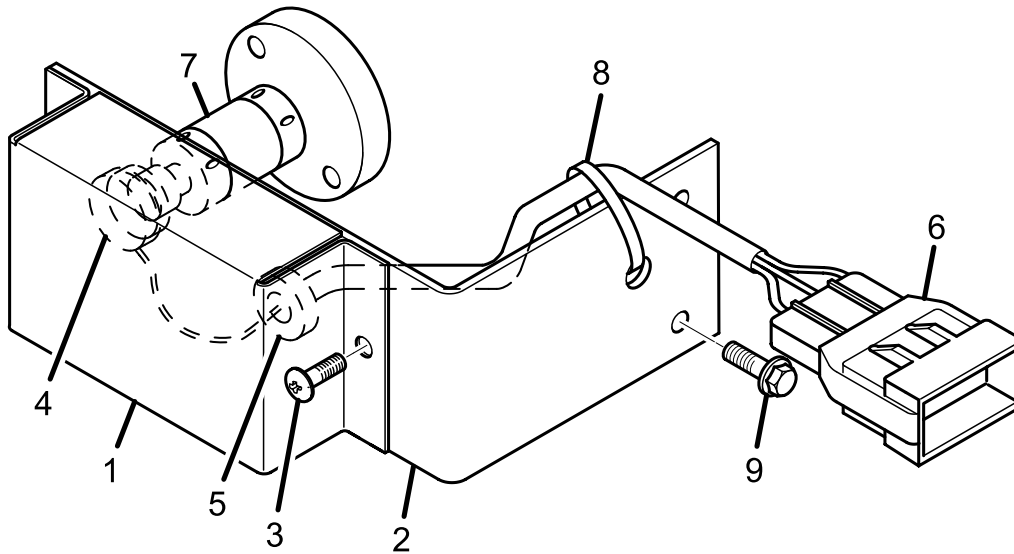
FIGURE 9 - HOT GAS BYPASS (2")

LD13050

PRV POSITION SENSOR KIT

TABLE 9 - PRV POSITION SENSOR KIT

ITEM	DESCRIPTION	PART NUMBER	SAP	QUANTITY/ UNIT	FIGURE
1	Cover PRV Position Sensor VSD	071-02012-002	748129	1	10
2	Bracket Support Upper PRV	371-02012-209	771577	1	10
3	Screw Tapping Thread Forming	021-13757-000	729753	2	10
4	Pot 2500 Ohms 2 Watt	025-32570-000	738740	1	10
5	Bushing Strain Relief Straight	025-09080-000	737236	1	10
6	Cable PRV Sensor VSD	571-02012-005	124152	1	10
7	Cplg, Shaft, Flexible	029-24196-000	119910	1	10
8	Cable Tie L=101.600Mm White	025-23765-001	588760	1	10
9	Screw/Washer Assy (Sems)	021-18487-000	730203	2	10



LD19600

FIGURE 10 - PRV POSITION SENSOR KIT (371-05520-001)

VARIABLE SPEED OIL PUMP CONTROL PANEL

**TABLE 10 - VARIABLE SPEED OIL PUMP PANEL (NEMA 1)
 NEMA 1 COMMON PARTS (371-05498-010)**

ITEM	DESCRIPTION	PART NUMBER	SAP	QUANTITY/ UNIT	FIGURE
1	Box, Elec. VSOPD Panel	371-04137-311	772430	1	11
2	Rail, Mounting Contactor	025-29167-000	618127	0.09	11
3	O-ring, Neoprene .301ID .064THK	028-12961-021	588826	1	11
4	Switch, High Pressure Cut-out	025-37890-204	739498	1	11
5	Clamp, Din rail	025-29189-000	117471	2	11
6	Heatsink	071-05505-000	749267	1	11
7	Terminal Block	025-39564-000	739663	1	11
8	Terminal Block	025-39800-000	739716	3	11
9	Sealing, Ring 1/2	025-09613-000	117034	1	11
14	Adapter, Bulkhead Conversion	023-20859-000	733349	1	11
15	Locknut, Cond 1/2 IPS	025-05701-000	144801	1	11

NEMA 1 VARIABLE PARTS (371-05498-XXX)

ITEM	DESCRIPTION	PART NUMBER	SAP	QUANTITY/ UNIT	FIGURE
101	VS Oil Pump Drive 2HP (200-346V)	024-36133-001	736306	1	11
	VS Oil Pump Drive 2HP (380-600V)	024-36133-002	413548	1	11
103	Harness, Main VSOP Drive Wiring	571-05498-221	807102	1	*
106	Reacator (500-600V)	025-38063-000	739539	1	11
107	Bracket Inductor Mtg VSOP Drive (500-600V)	371-02795-315	856850	1	11
108	Nut/Washer Assy (KEPS) (200-480V)	021-18024-000	616874	2	11
	Nut/Washer Assy (KEPS) (500-600V)			6	11
109	Lockwasher, TH Extnl Int 1/4 (200-480V)	021-12507-000	246065	4	11
	Lockwasher, TH Extnl Int 1/4 (500-600V)			8	11
110	Screw, Mach Pan Head Recd 1 (500-600V)	021-01853-000	729385	4	11

NOTE: Items with an * are NOT represented.

VARIABLE SPEED OIL PUMP CONTROL PANEL

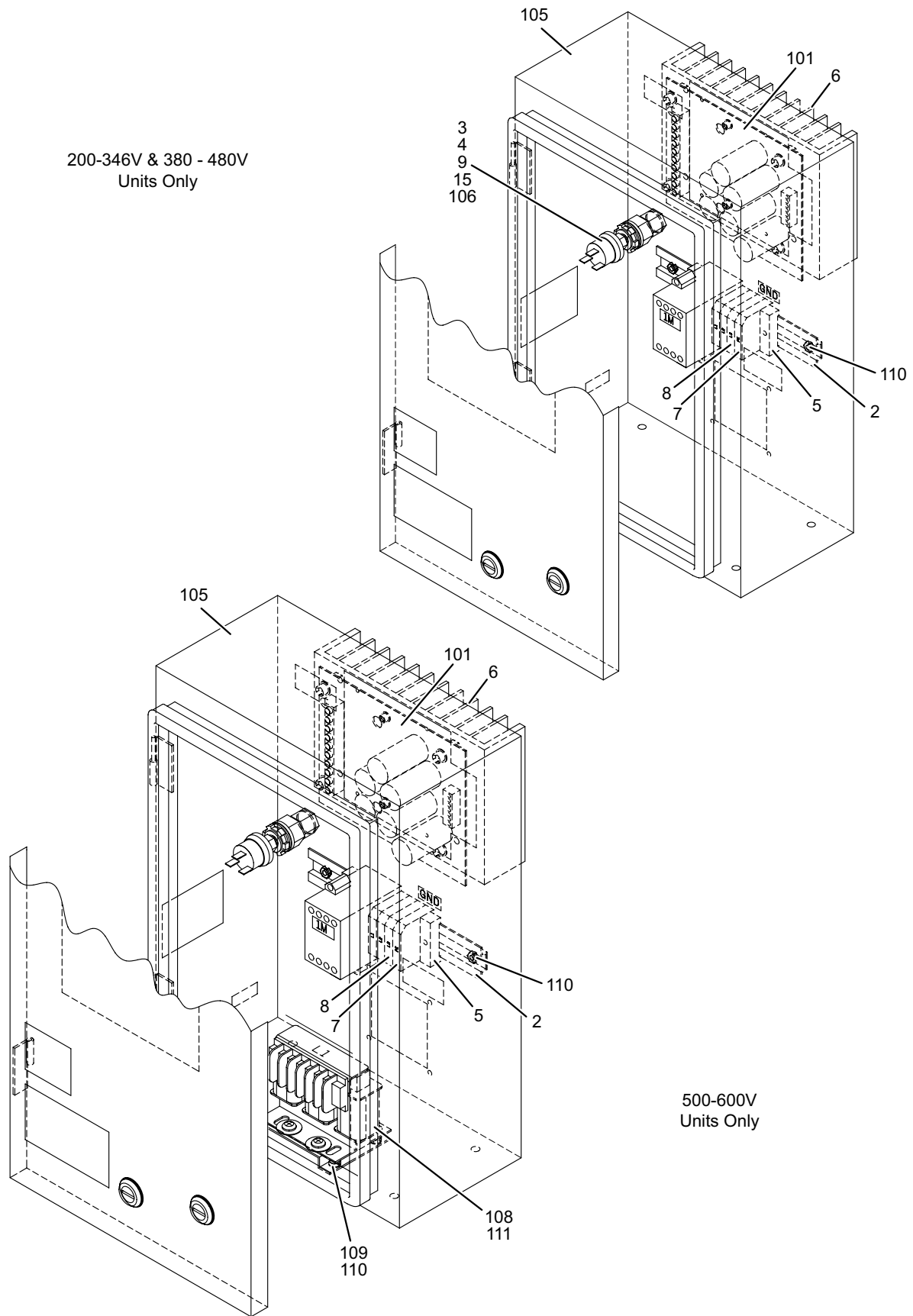
**TABLE 11 - VARIABLE SPEED OIL PUMP PANEL (NEMA 4/12 & NEMA 4X)
 NEMA4/12, NEMA4X COMMON PARTS (371-05499-010)**

ITEM	DESCRIPTION	PART NUMBER	SAP	QUANTITY/ UNIT	FIGURE
2	Rail, Mounting Contactor	025-29167-000	618127	0.09	12
3	O-ring, Neoprene .301ID .064THK	028-12961-021	588826	1	12
4	Switch, High Pressure Cut-out	025-37890-204	739498	1	12
5	Clamp, Din rail	025-29189-000	117471	2	12
6	Heatsink	071-05505-000	749267	1	12
7	Terminal Block	025-39564-000	739663	1	12
8	Terminal Block	025-33269-000	144723	3	12
9	Sealing, Ring 1/2	025-09613-000	117034	1	12
15	Locknut, Cond 1/2 IPS	025-05701-000	144801	1	12
20	Sealant, Silicon Rubber	013-02469-000	729056	1	*

NEMA4/12, NEMA4X VARIABLE PARTS (371-05499-XXX)

ITEM	DESCRIPTION	PART NUMBER	SAP	QUANTITY/ UNIT	FIGURE
101	VS Oil Pump Drive 2HP (200-346V)	024-36133-001	736306	1	12
	VS Oil Pump Drive 2HP (380-600V)	024-36133-002	413548	1	12
103	Harness, Main VSOP Drive Wiring	571-05498-221	807102	1	*
105	Enclosure Assembly, VSOP	371-04156-311	772434	1	12
106	Adapter, Bulkhead Conversion	023-20859-000	733349	1	12
108	Recator (500-600V)	025-38063-000	739539	1	12
109	Bracket Inductor Mtg VSOP Drive (500-600V)	371-02795-315	856850	1	12
110	Nut/Washer Assy (KEPS) (200-480V)	021-18024-000	616874	2	12
	Nut/Washer Assy (KEPS) (500-600V)			6	
111	Lockwasher, TH Extnl Int 1/4 (200-480V)	021-12507-000	246065	4	12
	Lockwasher, TH Extnl Int 1/4 (500-600V)			8	

NOTE: Items with an * are NOT represented.



LD19602

FIGURE 12 - VARIABLE SPEED OIL PUMP CONTROL PANEL (NEMA 4/12, NEMA4X)

VARIABLE SPEED OIL PUMP CONTROL PANEL

TABLE 12 - VARIABLE SPEED OIL PUMP CONTROL PANEL (CE)

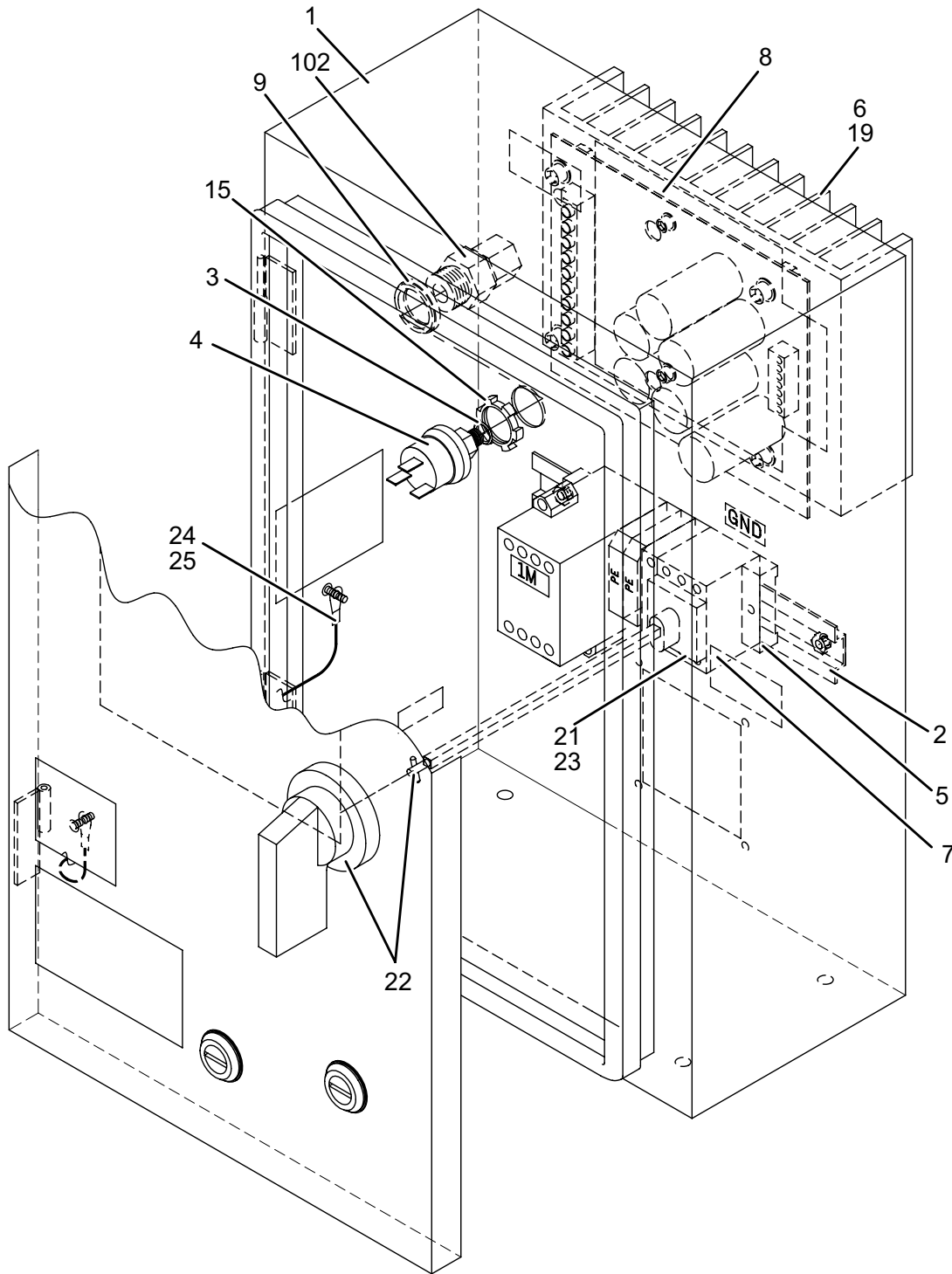
CE COMMON PARTS (371-05500-010)

ITEM	DESCRIPTION	PART NUMBER	SAP	QUANTITY/ UNIT	FIGURE
1	Box, Electrical, VSOPD Panel	371-04936-311	772789	1	13
2	Rail, Mounting Contactor	025-29167-000	618127	0.09	13
3	O-ring, Neoprene .3011D .064THK	028-12961-021	588826	1	13
4	Switch, High Pressure Cut-out	025-37890-204	739498	1	13
5	Clamp, Din Rail	025-29189-000	117471	2	13
6	Heatsink	071-05505-000	749267	1	13
7	Terminal Block	025-39564-000	739663	2	13
8	VSOP Drive 2HP	024-36133-002	413548	1	13
9	Sealing, Ring 1/2	025-09613-000	117034	1	13
15	Locknut, Conduit	025-05701-000	144801	1	13
17	Screw, Tapping #6-32Unc	021-18024-000	616874	2	*
19	Sealant, Silicone Rubber	013-02469-000	729056	1	13
20	Lockwasher, Th 1/4	021-12507-000	246065	4	*
21	Switch, Disconnect	024-34015-000	735920	1	13
22	Kit, Door Mounting Disconnect	024-34016-000	735921	1	13
23	Accessory, Disconnect Switch	024-34017-000	735922	1	13
24	Strap, Grounding	525-32508-001	806677	1	13
25	Nut/Washer Assy (KEPS)	021-17664-000	115817	2	13

CE VARIABLE PARTS (371-05500-131)

ITEM	DESCRIPTION	PART NUMBER	SAP	QUANTITY/ UNIT	FIGURE
102	Adapter	025-39306-000	739611	1	13
103	Harness, Main Wiring VSOP Drive (CE)	571-05500-221	807104	1	*
	Contact Pin Wire Range 20-14	025-22214-000	144768	8	
	Term Push-On	025-21156-000	618100	5	
	Wire Electric 14 AWG Black	025-08897-000	737229	3	
	Wire Electric 14 AWG Green/Yellow	025-34027-000	738983	1	

NOTE: Items with an * are NOT represented.



LD19603

FIGURE 13 - VARIABLE SPEED OIL PUMP CONTROL PANEL (CE)

SYSTEM CONTROL COMPONENTS

TABLE 13 - SYSTEM WIRING ELECTRO-MECHANICAL STARTER

ITEM	DESCRIPTION	PART NUMBER	SAP	FIGURE
1	Sensor Temp 3000 Ohms	025-29964-000	401192	15
3	Strap Cable Black	025-23765-002	117313	*
4	Connector Plug Hsg, 2 Position	025-28951-000	62724	15
5	Contact Receptacle, 070 Series	025-28952-000	260	15,16
6	Collar Rubber, Black, 070	025-28950-000	65212	16
7	Connector Plug Hsg, 3 Position	025-28954-000	62725	16
10	Wire Elec 18 Awg Black	025-08913-000	588753	17
12	Contact Socket Mini Universal	025-28386-000	737925	17
15A	Harness Shielded Cable Assy YK H	392-31780-401	5147869	15,16,17
	Connr Ca Str 1-1/4 Ins:	025-15981-000	618089	
	Plate Cover Control Panel	025-39475-104	739632	
	Ferr Splice Cap For Use With	025-10372-000	737258	
	Insr Elec For Use With	025-10371-000	737257	
	Wire Elec 18 Awg Green	025-17774-000	144771	
	Term Wire 22-16 Awg	025-19408-000	737521	
15B	Harness Shielded Cable YK H	392-31781-401	5147870	15
	Wire 2-Condtr W/Foil Shield	025-28701-002	618114	
	Wire 3 Condtr W/Foil Shield	025-28701-003	144750	
	Wire Elec 2 Pairs W/Individual	025-31788-000	618187	
	Hsg Connr Plug Mini 20 Ckt Wht (P9)	025-34116-000	738997	
	Hsg Connr Plug Mini 22 Ckt Wht (P8)	025-34117-000	738998	
	Hsg Connr Plug Mini 24 Ckt Wht (P7)	025-34533-000	739099	
	Hsg Connr Plug Mini 3 Ckt Nat (P1A)	025-29185-000	62736	
	Hsg, Receptacle, Micro- (P14)	025-39327-000	618219	
	Contact Socket Mini-Universal (P1A, P7-P9)	025-38185-000	5021469	
	Contact, Receptacle, Micro- (P14)	025-39329-000	618220	
16**	Gasket, Seal 1 Od X 7/8 Id X	028-04836-000	62960	16
18	Strap Cable Black, 3 7/8 x 3/32	025-23765-001	117312	*
19	Gasket Control Panel System	028-14485-000	144453	15,17
20	Sensor Flow 1/2" Npt Conn	025-41573-000	739995	15
21	Connector, Micro 5 Pole	025-42799-000	740141	15
23	O-Ring Size=908 2.20 16.40Mm Neo1 N N/A	028-12961-004	588819	16
24	Sensor Temp 50,000 Ohms Din	025-39993-000	618222	16
25	Well Thermo	026-32328-000	1467	15
26**	Sensor Level R-134A	025-46044-006	1051796	16
27	Actuator Rotary Elec Max=41N/M 95° 24	025-47580-000	5147836	15
31	Connector Iso 4400/Din	025-37877-000	144714	15,17
103	Plate Cover Control Panel	025-39475-101	174823	17
104	Hsg Connr Pin Comm 2 Ckt Nat	025-27974-000	737899	17
105	Term Pin 20-14 Awg Amp	025-18443-000	144773	17
106	Connr, Conduit Flex Angle	025-31316-001	144731	18
107	Insr Elec For Use With	025-10371-000	737257	18
108	Ferr Splice Cap	025-10372-000	737258	18

TABLE 13 - SYSTEM WIRING ELECTRO-MECHANICAL STARTER (CONT'D)

ITEM	DESCRIPTION	PART NUMBER	SAP	FIGURE
109	Diode, Bridge	031-02882-000	744191	17
114	Wiring Resistor YT	575-00364-001	61343	17
	Wire Elec 18 Awg Black	025-08913-000	588753	
	Cont Soc Awg Wire Size 20	025-19674-000	737537	
	Resistor, Adjustable 10 Ohms,	025-20789-000	1291	
	Hsg Connr Soc Comm 2 Ckt Nat	025-21136-000	737636	
	Term Push On Flag With	025-21771-000	737665	
	Bag Pyeth 5-1/2 X 5-1/2 X	030-21938-002	743536	
	Solder 1/16 Dia 1 Lb	044-02038-000	745735	
	Screw Mach Pan Hd Recd	021-02455-000	729389	
	Nut/Washer Assy (KEPS)	021-17664-000	115817	
116	Harness Ykg UI Control Panel To Mtb	392-28334-092	5147862	15,17,18
	Wire Elec 18 Awg Black	025-08913-000	588753	
	Term Push On Flag With	025-21771-000	737665	
	Conduit Elec Flex 1/2 Liquid	025-30473-001	738505	
	Connr, Conduit Flex Angle	025-31316-001	144731	
117	Control, Current Cm-2	031-00947-000	1667	16
151	Harness Adapter Sys Wrg YK H			*
151-2	Term Pin Wire Range 20-14	025-22214-000	144768	*
151-3	Cont Soc Wire Range 20-14	025-22215-000	62701	*
151-4	Cont Soc Awg Wire Size 20	025-19673-000	737536	*
151-6	Wire Elec 18 Awg Grn/Yel Per	025-34025-000	738981	17
151-7	Hsg Connr Electrical Plug (P36)	025-19670-000	737533	17
151-8	Connector Receptacle Cap 15 R=5 6.35Mm (P34)	025-20788-000	737570	17
151-9	Connector Plug 15 R=5 6.35Mm (J34)	025-20918-000	737623	17
151-10	Hsg Connr Electrical Cap (P35)	025-20963-000	737627	17
151-11	Hsg Connr Electrical Cap (P33)	025-21191-000	737645	17
151-14	Term Wire 22-16 Awg	025-19408-000	737521	17
152	Harness Assy Sys Wrg YK H Q Compr			
152-1	Plate Cover Control Panel	025-39475-201	739634	15
152-2	Harness Thrust Probe To Control Panel Yk	392-31794-055	5147878	15
	Conduit Flexible Id=3/8In Id=.445In Ps	025-31302-001	738588	
	Connr, Conduit Flex Straight 3/8" Adapta	025-31309-001	265735	
	Connector Din 43650	025-34047-000	738987	
	Wire Elec 18 Awg Black	025-08913-000	588753	
	Wire Elec 18 Awg Grn/Yel Per	025-34025-000	738981	
	Term Pin Wire Range 20-14	025-22214-000	144768	
152-3	Hsg Connr Electrical Cap	025-20963-000	737627	14
152-4	Connr, Conduit Flex Angle	025-31316-001	144731	14

TABLE 13 - SYSTEM WIRING ELECTRO-MECHANICAL STARTER (CONT'D)

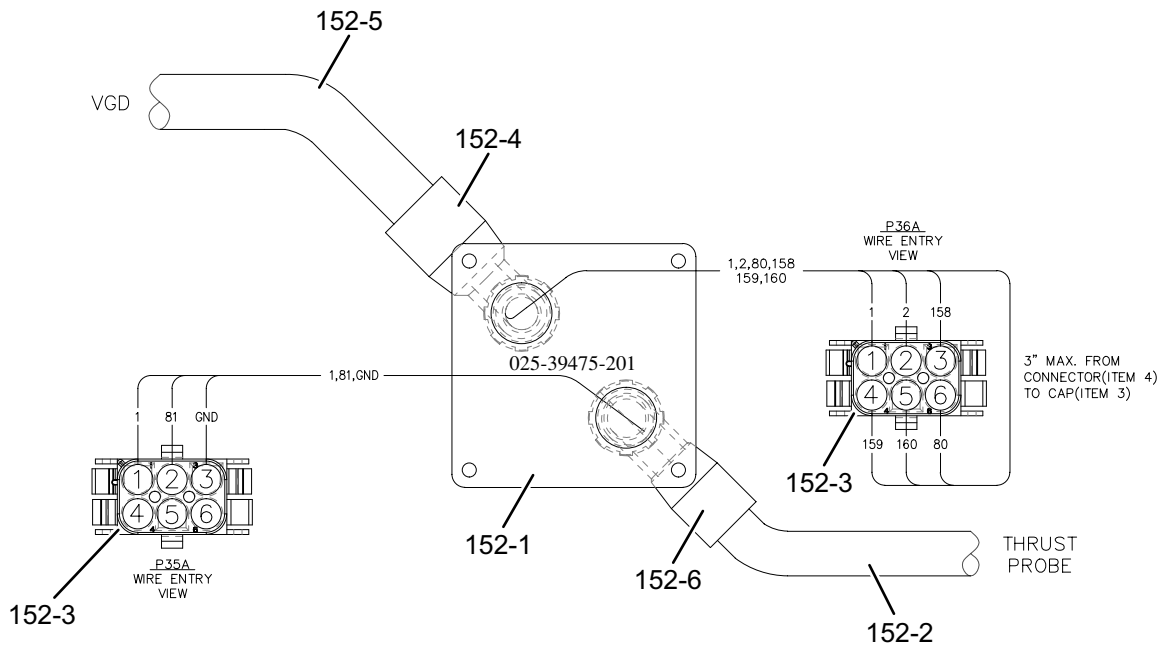
ITEM	DESCRIPTION	PART NUMBER	SAP	FIGURE
152-5	Harness VGD Motor To Control Panel YK H	392-31795-058	5147879	15
	Conduit Elec Flex 1/2 Liquid	025-30473-001	738505	
	Connr. Conduit Flex Straight 1/2 Swivel	025-37868-000	739487	
	Connector Plug Hsg, 9 Pos	025-38172-000	118000	
	Wire Elec 18 Awg Black	025-08913-000	588753	
	Wire Elec 18 Awg White	025-12729-000	144788	
	Cont Soc Awg Wire Size 18-14	025-37875-000	739491	
	Term Pin Wire Range 20-14	025-22214-000	144768	
152-6	Connr, Conduit Flex Angle	025-31315-001	144730	14
153	Harness Assy Sys Wrg Ykh Q Compr			15,17
153-1	Plate Cover Control Panel	025-39475-401	739638	17
153-2	Connector Receptacle Cap 15 R=5 6.35Mm	025-20788-000	737570	17
153-3	Plug Thd Id= Hd=16.000Mm Ps	025-31400-000	144735	17
153-4	Nut Lock For Knockout	021-18404-000	147692	17
153-5	Harness 1Sol To Control Panel Ykh	392-31789-066	5147871	15
	Conduit Flexible Id=3/8In Id=.445In Ps	025-31302-001	738588	
	Connr, Conduit Flex Straight 3/8" Adapta	025-31309-001	265735	
	Connector Iso 4400/Din	025-37876-000	117987	
	Wire Elec 18 Awg White	025-12729-000	144788	
	Wire Elec 18 Awg Black	025-08913-000	588753	
	Term Pin Wire Range 20-14	025-22214-000	144768	
153-6	Harness PRV Motor To Control Panel YK H	392-31790-033	5147872	17
	Conduit Elec Flex 1/2 Liquid	025-30473-001	738505	
	Connr. Conduit Flex Straight 1/2 Swivel	025-37868-000	739487	
	Connector Plug Hsg, 9 Pos	025-38172-000	118000	
	Wire Elec 18 Awg Black	025-08913-000	588753	
	Wire Elec 18 Awg White	025-12729-000	144788	
	Cont Soc Awg Wire Size 18-14	025-37875-000	739491	
	Term Pin Wire Range 20-14	025-22214-000	144768	
153-7	Harness VSOP Panel To Control Panel YK H	392-31791-039	5147873	16,17
	Conduit Elec Flex 1/2 Liquid	025-30473-001	738505	
	Connr, Conduit Flex Angle	025-31316-001	144731	
	Wire Elec 18 Awg Black	025-08913-000	588753	
	Cont Soc Wire Range 20-14	025-22215-000	62701	
	Term Pin Wire Range 20-14	025-22214-000	144768	
153-8	Connr, Conduit Flex Angle	025-31315-001	144730	17
153-9	Connr, Conduit Flex Angle	025-31316-001	144731	17
153-10	Harness 1Htr To Control Panel YK H	392-31792-081	5147875	15
	Conduit Elec Flex 1/2 Liquid	025-30473-001	738505	
	Connr, Conduit Flex Angle	025-31316-001	144731	
	Wire Elec 14 Awg White	025-12714-000	737342	
	Wire Elec 14 Awg Black	025-08897-000	737229	
	Wire Elec 14 Awg Grn/Yel	025-29791-000	618134	
	Term Wire 16-14 Awg	025-19376-000	737519	
	Term Pin Wire Range 20-14	025-22214-000	144768	

TABLE 13 - SYSTEM WIRING ELECTRO-MECHANICAL STARTER (CONT'D)

ITEM	DESCRIPTION	PART NUMBER	SAP	FIGURE
153-11	Harness Oil Pump To VSOP Panel YK H	392-31793-046	5147876	16,17
	Conduit Elec Flex 1/2 Liquid	025-30473-001	738505	
	Connr, Conduit Flex Straight 1/2" Adaptor	025-31310-001	618160	
	Wire Elec 14 Awg Black	025-08897-000	737229	
	Term Push On Straight	025-06642-000	737207	
	Cont Soc Wire Range 20-14	025-22215-000	62701	
153-12	Connector Plug 15 R=5 6.35Mm	025-20918-000	737623	17
153-13	Fitting Liquid Tight 1/2 Npt	025-28720-000	117421	17
153-14	Locknut, 1/2 Npt, Nylon Black;	025-34090-000	435354	17
154	Connector Din 43650	025-37805-000	144713	16
155	Valve, Ball 3/4-16Unf-2A	022-11715-000	338981	16
156	Transducer Pressure R-22 & 134	025-40088-000	144689	16
157	O-Ring Neo1 00.414Id .072Thk M	028-12961-002	683003	16
158	O-Ring Size=908 2.20 16.40Mm Neo1 N N/A	028-12961-004	588819	16

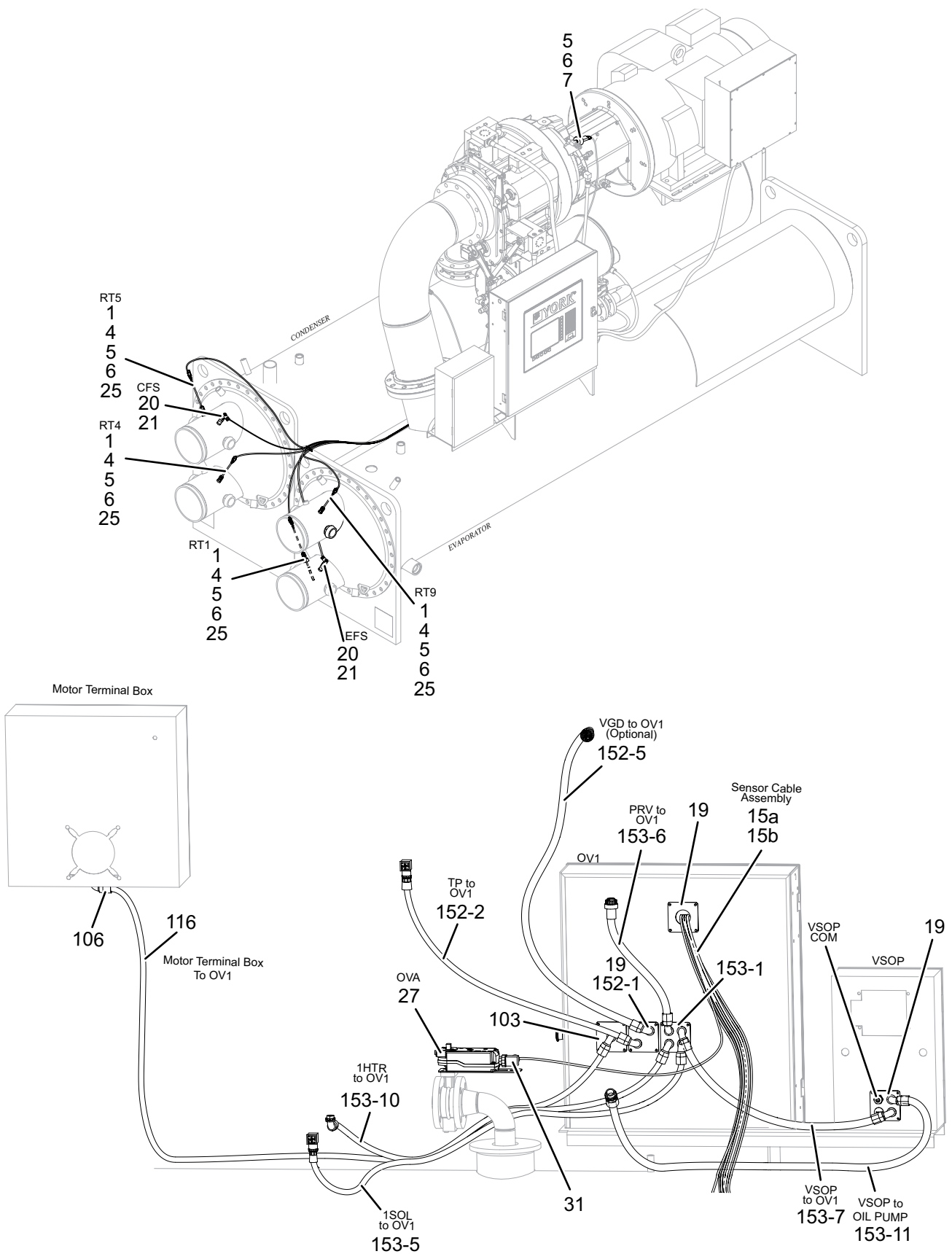
NOTE: Items with an * are NOT represented.

** Liquid Level Sensor Kit (Includes Sensor & Gasket) 325-47588-006



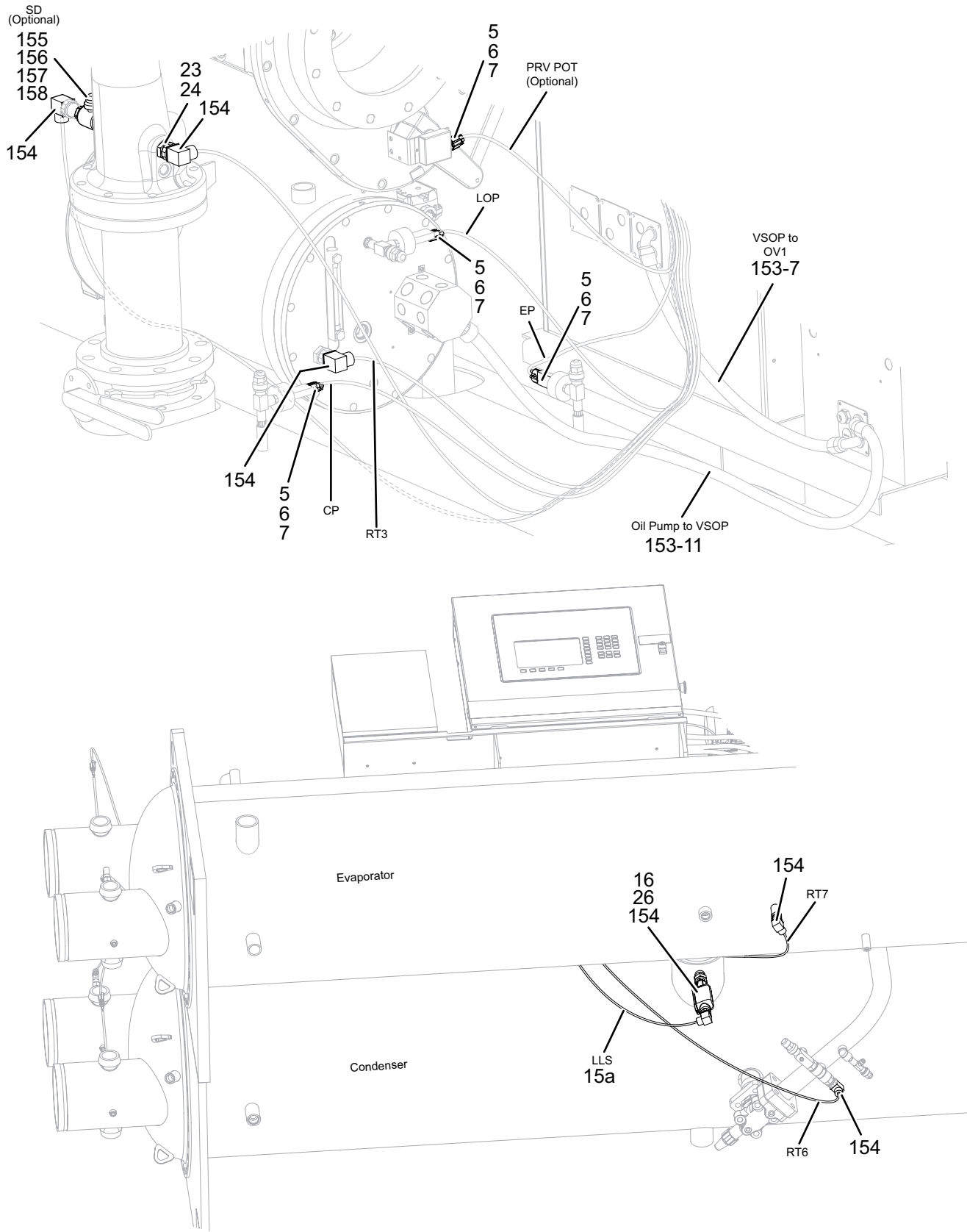
LD19834

FIGURE 14 - SYSTEM WIRING ELECTRO-MECHANICAL STARTER



LD19605

FIGURE 15 - SYSTEM WIRING ELECTRO-MECHANICAL STARTER



LD19606

FIGURE 16 - SYSTEM WIRING ELECTRO-MECHANICAL STARTER

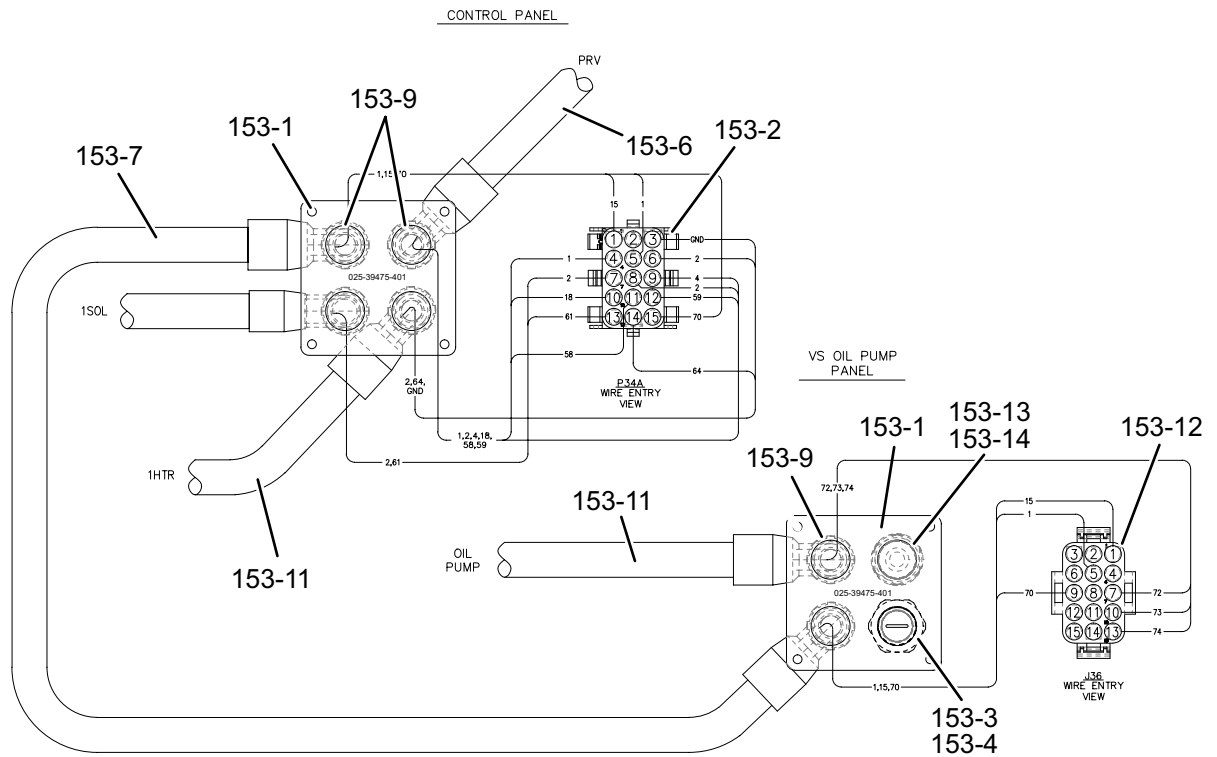
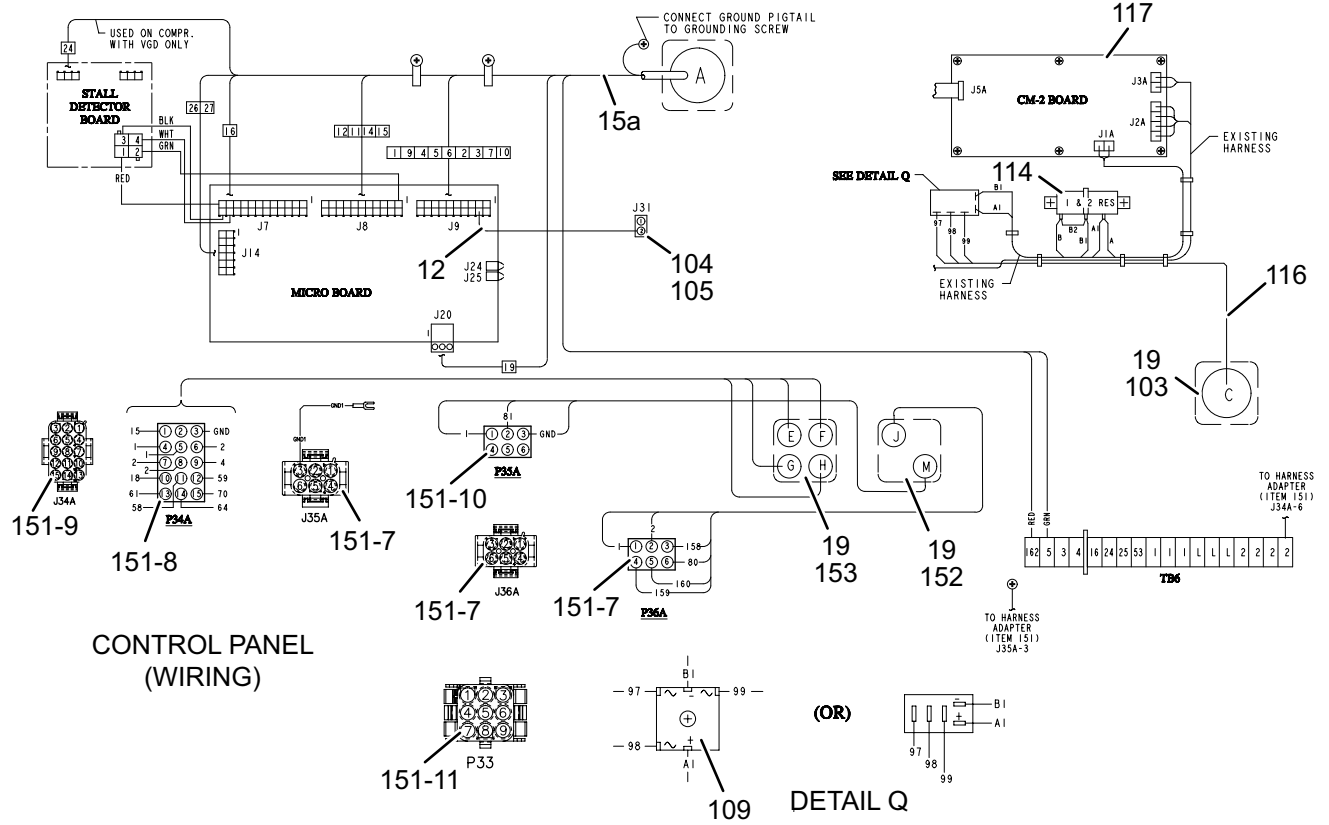
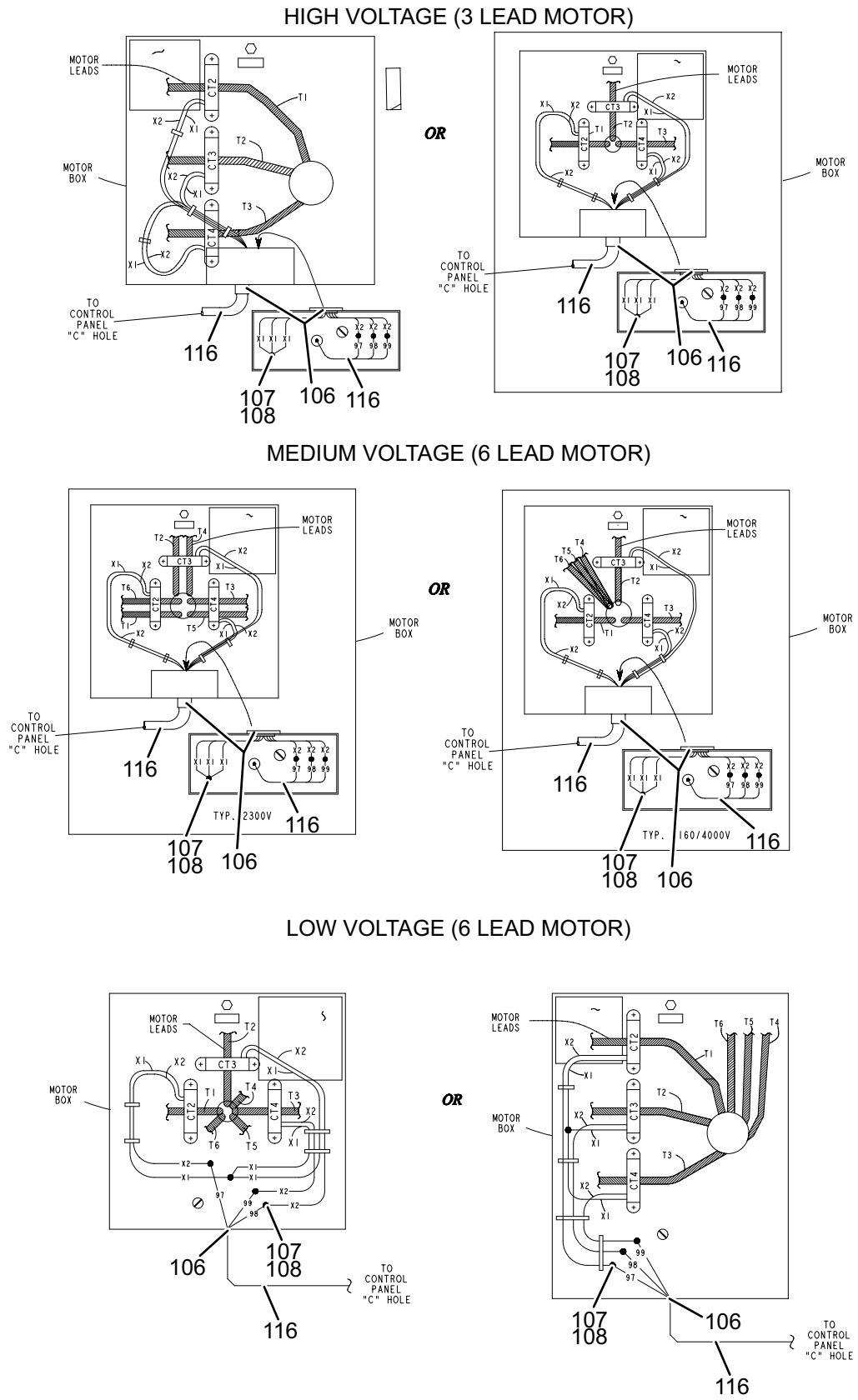


FIGURE 17 - SYSTEM WIRING ELECTRO-MECHANICAL STARTER



LD19608

FIGURE 18 - SYSTEM WIRING ELECTRO-MECHANICAL STARTER

TABLE 14 - SYSTEM WIRING LOW VOLTAGE SOLID STATE STARTER

ITEM	DESCRIPTION	PART NUMBER	SAP	FIGURE
1	Sensor Temp 3000 Ohms	025-29964-000	401192	20
3	Strap Cable Black	025-23765-002	117313	20
4	Connector Plug Hsg, 2 Position	025-28951-000	62724	20
5	Contact Receptacle, 070 Series	025-28952-000	260	20,21
6	Collar Rubber, Black, 070	025-28950-000	65212	20,21
7	Connector Plug Hsg, 3 Position	025-28954-000	62725	21
10	Wire Elec 18 Awg Black	025-08913-000	588753	20,21
12	Contact Socket Mini Universal	025-28386-000	737925	20
15	Harness Shielded Cable Assy	392-31780-401	5147869	20,21
	Connr Ca Str 1-1/4 Ins:	025-15981-000	618089	
	Plate Cover Control Panel	025-39475-104	739632	
	Ferr Splice Cap	025-10372-000	737258	
	Insr Elec	025-10371-000	737257	
	Wire Elec 18 Awg Green	025-17774-000	144771	
	Term Wire 22-16 Awg	025-19408-000	737521	
16**	Gasket, Seal 1 Od X 7/8 Id X	028-04836-000	62960	21
18	Strap Cable Black	025-23765-001	117312	22
19	Gasket Control Panel System	028-14485-000	144453	20
20	Sensor Flow 1/2" Npt Conn	025-41573-000	739995	20
21	Connector, Micro 5 Pole	025-42799-000	740141	20
23	O-Ring Size=908 2.20 16.40Mm Neo1 N N/A	028-12961-004	588819	21
24	Sensor Temp 50,000 Ohms Din	025-39993-000	618222	21
25	Well Thermo	026-32328-000	1467	20
26**	Sensor Level R-134A	025-46044-006	1051796	21
27	Actuator Rotary Elec Max=41N/M 95° 24	025-47580-000	5147836	20
103	Plate Cover Control Panel	025-39475-102	681838	20
104	Hsg Connr Pin Comm 2 Ckt Nat	025-27974-000	737899	22
105	Term Pin 20-14 Awg Amp	025-18443-000	144773	22
118	Hsg Connr Electrical Cap	025-21159-000	737640	22
121	Harness SSS To VSOP Panel YK H	392-31797-144	5147881	20,22
	Conduit Elec Flex 1/2 Liquid	025-30473-001	738505	
	Connr, Conduit Flex Angle	025-31316-001	144731	
	Wire Elec 16 Awg Blk Per Aso	025-34004-000	738969	
	Wire Elec 16 Awg Grn/Yel Per	025-34026-000	738982	
	Term Push-On Faston	025-23735-000	117310	
	Term Wire 22-16 Awg	025-19406-000	737520	

TABLE 14 - SYSTEM WIRING LOW VOLTAGE SOLID STATE STARTER (CONT'D)

ITEM	DESCRIPTION	PART NUMBER	SAP	FIGURE
122	Harness Control Panel To SSS		5147880	20,22
122-4	Term Pin 20-14 Awg	025-20533-000	737561	19
122-5	Wire 3 Condtr W/Foil Shield	025-28701-003	144750	19
122-6	Harness Ov Panel To Drive Fiber Com YK H	392-15739-382	5147840	19
	Braided Tube, Flexible	025-46171-000	5147834	
	Fiber Optic Cable	025-46501-000	5147835	
122-7	Conduit Elec Flex 3/4 Liquid	025-31307-001	738591	19
122-8	Connr, Conduit Flex Angle	025-31317-001	144733	19
122-9	Hsg Connr Plug Mini 3 Ckt Nat	025-29185-000	62736	19
122-10	Contact Socket Mini Universal	025-28386-000	737925	19
123	Connr, Conduit Flex Angle	025-31317-001	144733	20
151	Harness Adapter Sys Wrg Without VGD	392-31775-001	5147868	*
	Harness Adapter Sys Wrg With VGD	392-31774-001	5147867	
151-2	Term Pin Wire Range 20-14	025-22214-000	144768	*
151-3	Cont Soc Wire Range 20-14	025-22215-000	62701	*
151-4	Cont Soc Awg Wire Size 20	025-19673-000	737536	*
151-6	Wire Elec 18 Awg Grn/Yel Per	025-34025-000	738981	22
151-7	Hsg Connr Electrical Plug	025-19670-000	737533	22
151-8	Connector Receptacle Cap 15 R=5 6.35Mm	025-20788-000	737570	22
151-9	Connector Plug 15 R=5 6.35Mm	025-20918-000	737623	22
151-10	Hsg Connr Electrical Cap	025-20963-000	737627	22
151-11	Hsg Connr Electrical Cap	025-21191-000	737645	22
151-14	Term Wire 22-16 Awg	025-19408-000	737521	22
152	Harness Assy Sys Wrg Q Compr Without VGD	392-31773-001	5147866	*
	Harness Assy Sys Wrg YK H Q Compr With VGD	392-31772-001	5147865	
152-1	Plate Cover Control Panel	025-39475-201	739634	20,23
152-2	Harness Thrust Probe To Control Panel	392-31794-055	5147878	20
	Conduit Flexible Id=3/8In Id=.445In Ps	025-31302-001	738588	
	Connr, Conduit Flex Straight 3/8" Adapta	025-31309-001	265735	
	Connector Din 43650	025-34047-000	738987	
	Wire Elec 18 Awg Black	025-08913-000	588753	
	Wire Elec 18 Awg Grn/Yel Per	025-34025-000	738981	
152-3	Hsg Connr Electrical Cap	025-20963-000	737627	23
152-4	Plug Thd Id= Hd=16.000Mm Ps	025-31400-000	144735	23
152-5	Harness VGD Motor To Control Panel YK H	392-31795-058	5147879	20,23
	Conduit Elec Flex 1/2 Liquid	025-30473-001	738505	
	Connr. Conduit Flex Straight 1/2 Swivel	025-37868-000	739487	
	Connector Plug Hsg, 9 Pos	025-38172-000	118000	
	Wire Elec 18 Awg Black	025-08913-000	588753	
	Wire Elec 18 Awg White	025-12729-000	144788	
	Cont Soc Awg Wire Size 18-14	025-37875-000	739491	
	Term Pin Wire Range 20-14	025-22214-000	144768	
152-6	Connr, Conduit Flex Angle	025-31315-001	144730	23

TABLE 14 - SYSTEM WIRING LOW VOLTAGE SOLID STATE STARTER (CONT'D)

ITEM	DESCRIPTION	PART NUMBER	SAP	FIGURE
153	Harness Assy Sys Wrg Q Compr (Q3- Q6)	392-31770-001	5147863	*
	Harness Assy Sys Wrg Ykh Q Compr (Q7)	392-31771-001	5147864	
153-1	Plate Cover Control Panel	025-39475-401	739638	20,23
153-2	Connector Receptacle Cap 15 R=5 6.35Mm	025-20788-000	737570	23
153-3	Plug Thd Id= Hd=16.000Mm Ps	025-31400-000	144735	23
153-4	Nut Lock For Knockout	021-18404-000	147692	23
153-5	Harness 1Sol To Control Panel YK H	392-31789-066	5147871	20
	Conduit Flexible Id=3/8In Id=.445In Ps	025-31302-001	738588	
	Connr, Conduit Flex Straight 3/8" Adapta	025-31309-001	265735	
	Connector Iso 4400/Din	025-37876-000	117987	
	Wire Elec 18 Awg White	025-12729-000	144788	
	Wire Elec 18 Awg Black	025-08913-000	588753	
	Term Pin Wire Range 20-14	025-22214-000	144768	
153-6	Harness Prv Motor To Control Panel YK H	392-31790-033	5147872	23
	Conduit Elec Flex 1/2 Liquid	025-30473-001	738505	
	Connr. Conduit Flex Straight 1/2 Swivel	025-37868-000	739487	
	Connector Plug Hsg, 9 Pos	025-38172-000	118000	
	Wire Elec 18 Awg Black	025-08913-000	588753	
	Wire Elec 18 Awg White	025-12729-000	144788	
	Cont Soc Awg Wire Size 18-14	025-37875-000	739491	
	Term Pin Wire Range 20-14	025-22214-000	144768	
153-7	Harness VSOP Panel To Control Panel YK H	392-31791-039	5147873	20,21,23
	Conduit Elec Flex 1/2 Liquid	025-30473-001	738505	
	Connr, Conduit Flex Angle	025-31316-001	144731	
	Wire Elec 18 Awg Black	025-08913-000	588753	
	Cont Soc Wire Range 20-14	025-22215-000	62701	
	Term Pin Wire Range 20-14	025-22214-000	144768	
153-8	Connr, Conduit Flex Angle	025-31315-001	144730	23
153-9	Connr, Conduit Flex Angle	025-31316-001	144731	23
153-10	Harness 1Htr To Control Panel YK H	392-31792-081	5147875	20
	Conduit Elec Flex 1/2 Liquid	025-30473-001	738505	
	Connr, Conduit Flex Angle	025-31316-001	144731	
	Wire Elec 14 Awg White	025-12714-000	737342	
	Wire Elec 14 Awg Black	025-08897-000	737229	
	Wire Elec 14 Awg Grn/Yel	025-29791-000	618134	
	Term Wire 16-14 Awg	025-19376-000	737519	
	Term Pin Wire Range 20-14	025-22214-000	144768	
153-11	Harness Oil Pump To VSOP Panel YK H	392-31793-046	5147876	20,21,23
	Conduit Elec Flex 1/2 Liquid	025-30473-001	738505	
	Connr, Conduit Flex Straight 1/2" Adapta	025-31310-001	618160	
	Wire Elec 14 Awg Black	025-08897-000	737229	
	Term Push On Straight	025-06642-000	737207	
	Cont Soc Wire Range 20-14	025-22215-000	62701	
153-12	Connector Plug 15 R=5 6.35Mm	025-20918-000	737623	23

TABLE 14 - SYSTEM WIRING LOW VOLTAGE SOLID STATE STARTER (CONT'D)

ITEM	DESCRIPTION	PART NUMBER	SAP	FIGURE
153-13	Fitting Liquid Tight 1/2 Npt	025-28720-000	117421	23
153-14	Locknut, 1/2 Npt, Nylon Black;	025-34090-000	435354	23
154	Connector Din 43650	025-37805-000	144713	21
155	Valve, Ball 3/4-16Unf-2A	022-11715-000	338981	21
156	Transducer Pressure R-22 & 134	025-40088-000	144689	21
157	O-Ring Neo1 00.414Id .072Thk M	028-12961-002	683003	21
158	O-Ring Size=908 2.20 16.40Mm Neo1 N N/A	028-12961-004	588819	21

NOTE: Items with an * are NOT represented.

** Liquid Level Sensor Kit (Includes Sensor & Gasket) 325-47588-006

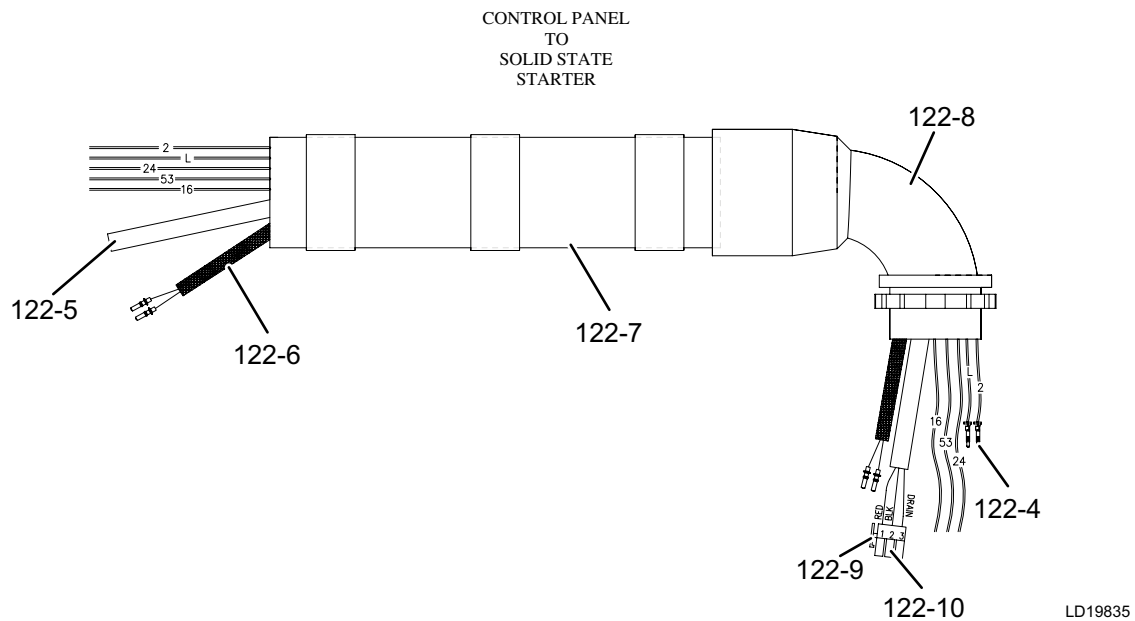
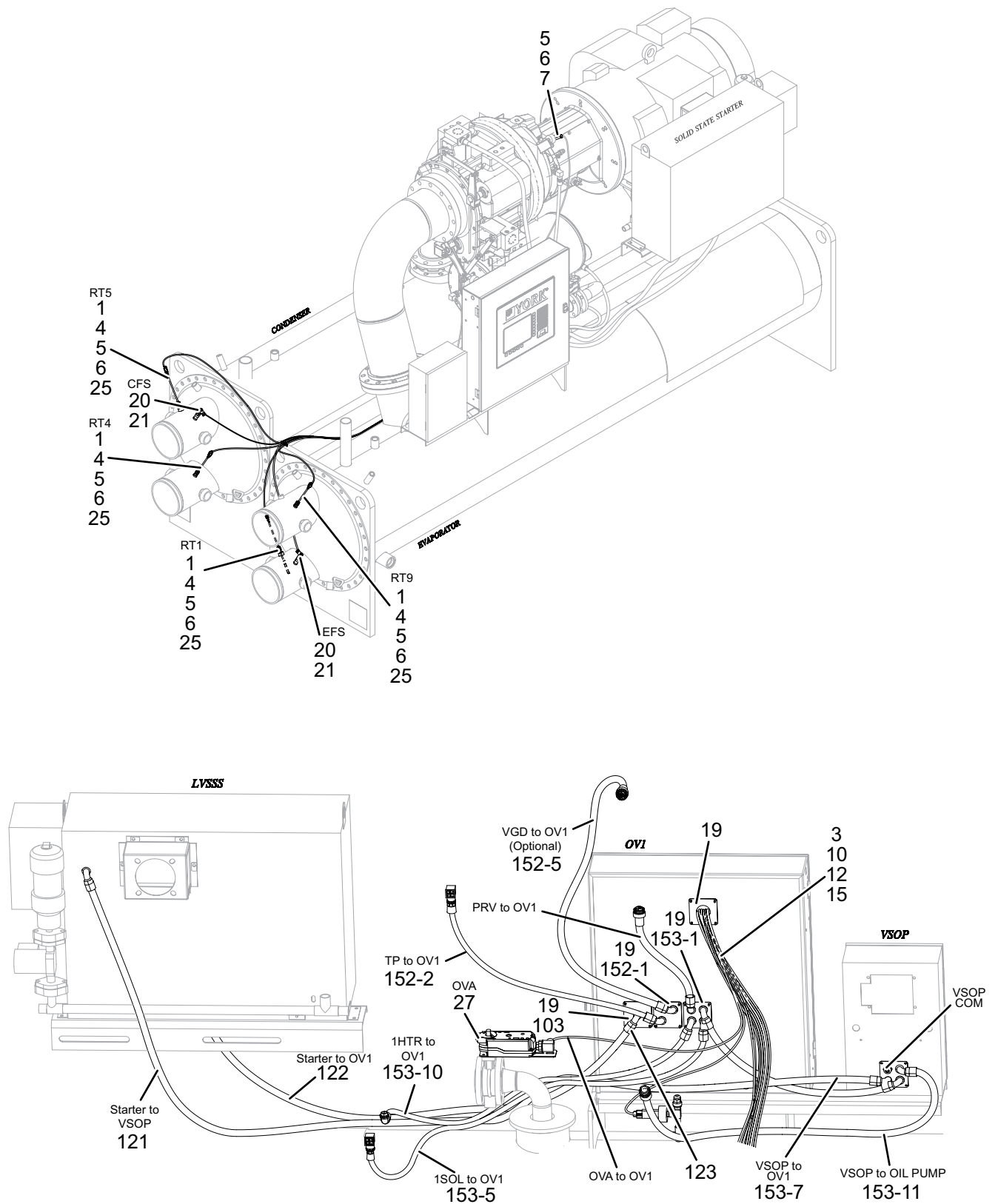


FIGURE 19 - SYSTEM WIRING LOW VOLTAGE SOLID STATE STARTER



LD19609

FIGURE 20 - SYSTEM WIRING LOW VOLTAGE SOLID STATE STARTER

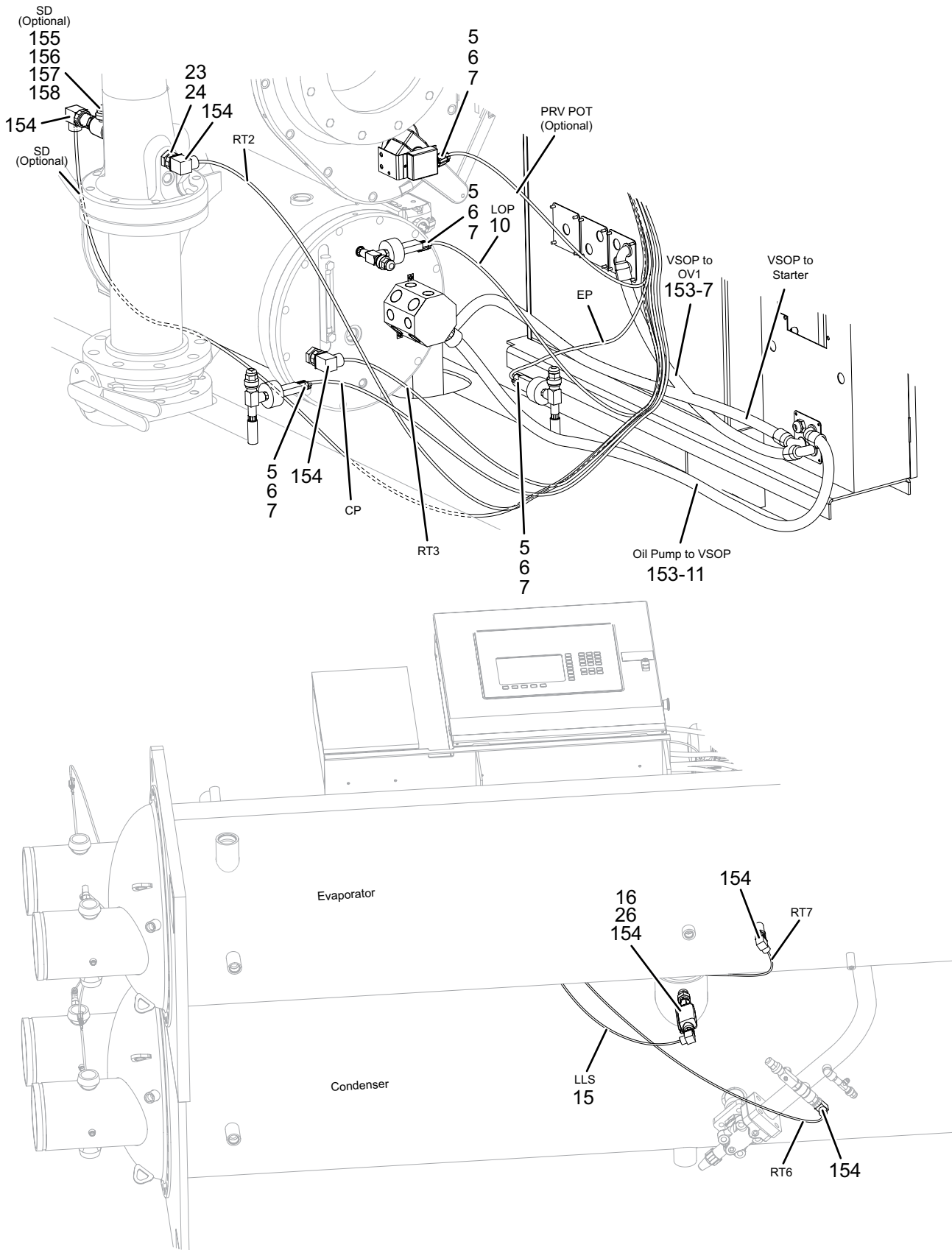


FIGURE 21 - SYSTEM WIRING LOW VOLTAGE SOLID STATE STARTER

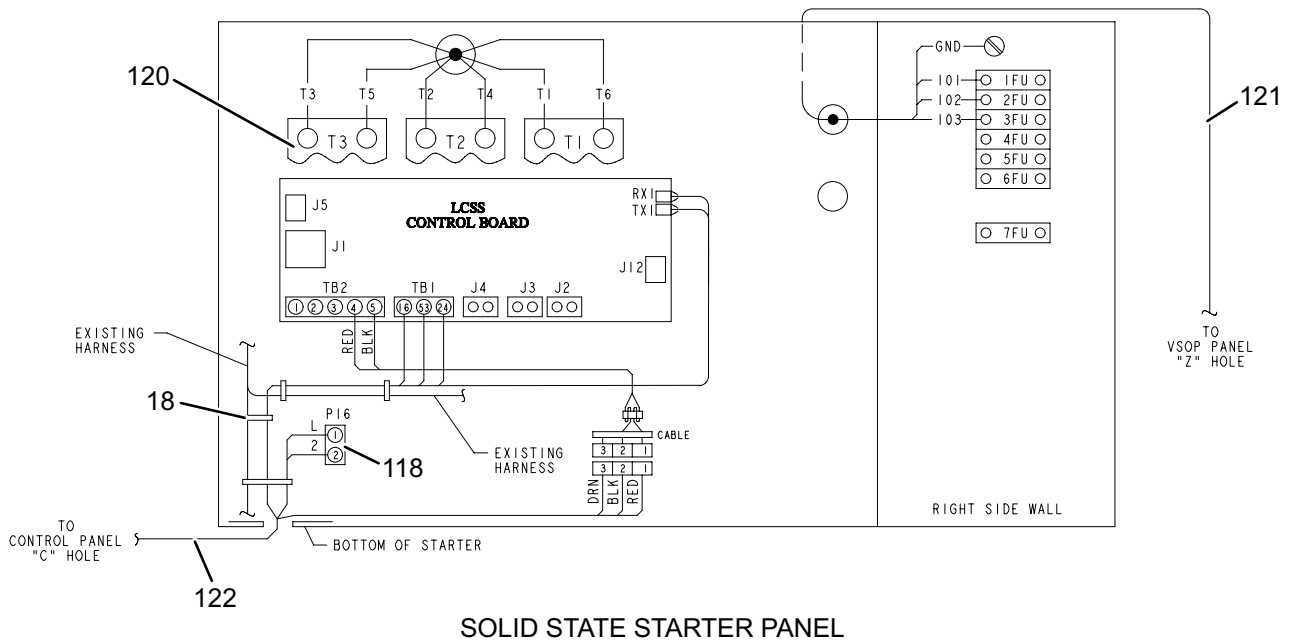
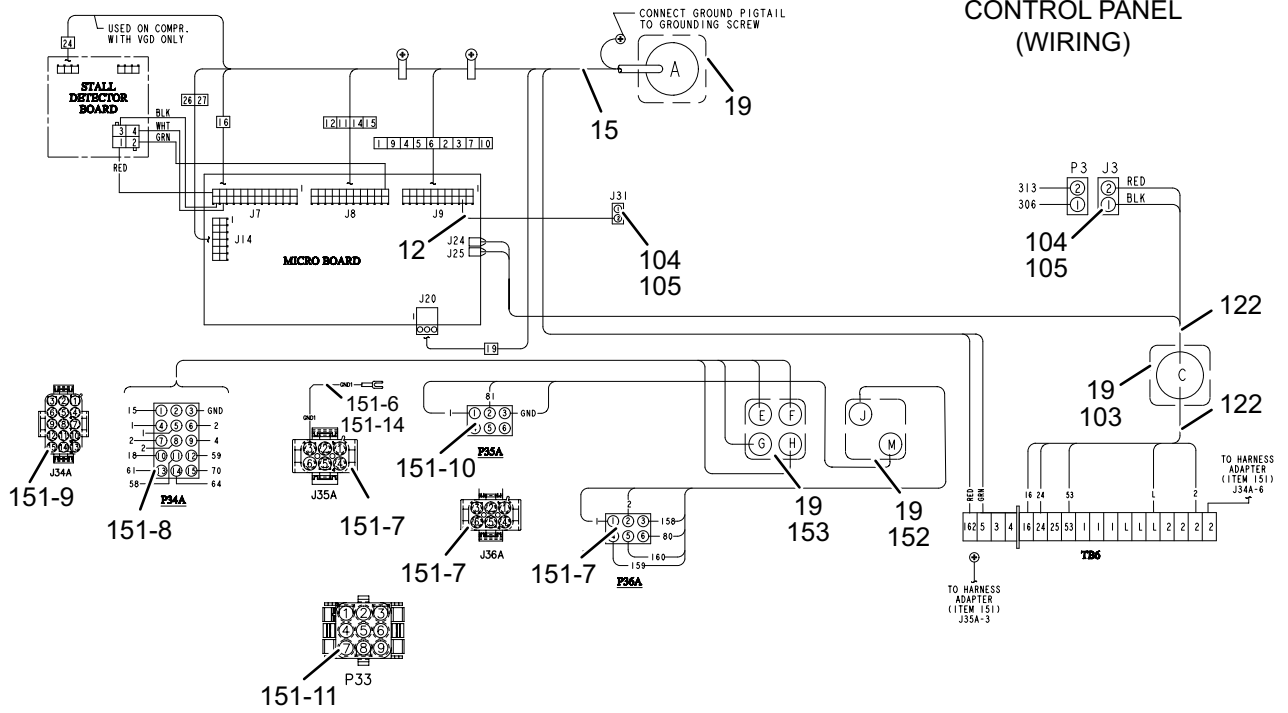


FIGURE 22 - SYSTEM WIRING LOW VOLTAGE SOLID STATE STARTER

LD19611

TABLE 15 - SYSTEM WIRING MEDIUM VOLTAGE SOLID STATE STARTER

ITEM	DESCRIPTION	PART NUMBER	SAP	FIGURE
1	Sensor Temp 3000 Ohms	025-29964-000	401192	24
3	Strap Cable Black	025-23765-002	117313	24
4	Connector Plug Hsg, 2 Position	025-28951-000	62724	24
5	Contact Receptacle, 070 Series	025-28952-000	260	24,25
6	Collar Rubber, Black, 070	025-28950-000	65212	24,25
7	Connector Plug Hsg, 3 Position	025-28954-000	62725	25
10	Wire Elec 18 Awg Black	025-08913-000	588753	24,25
12	Contact Socket Mini Universal	025-28386-000	737925	24,26
15	Harness Shielded Cable Assy Ykh	392-31780-401	5147869	24,26
	Connr Ca Str 1-1/4 Ins:	025-15981-000	618089	
	Plate Cover Control Panel	025-39475-104	739632	
	Ferr Splice Cap For Use With	025-10372-000	737258	
	Insr Elec For Use With	025-10371-000	737257	
	Wire Elec 18 Awg Green	025-17774-000	144771	
	Term Wire 22-16 Awg	025-19408-000	737521	
16**	Gasket, Seal 1 Od X 7/8 Id X	028-04836-000	62960	25
18	Strap Cable Black	025-23765-001	117312	*
19	Gasket Control Panel System	028-14485-000	144453	24,26
20	Sensor Flow 1/2" Npt Conn	025-41573-000	739995	24
21	Connector, Micro 5 Pole	025-42799-000	740141	24
23	O-Ring Size=908 2.20 16.40Mm Neo1 N N/A	028-12961-004	588819	25
24	Sensor Temp 50,000 Ohms Din	025-39993-000	618222	25
25	Well Thermo	026-32328-000	1467	24
26**	Sensor Level R-134A	025-46044-006	1051796	25
27	Actuator Rotary Elec Max=41N/M 95° 24	025-47580-000	5147836	24
103	Plate Cover Control Panel	025-39475-102	681838	24,26
104	Hsg Connr Pin Comm 2 Ckt Nat	025-27974-000	737899	26
105	Term Pin 20-14 Awg Amp	025-18443-000	144773	26
128	Plug Knockout For 3/4"	025-35958-000	739249	26
151	Harness Adapter Sys Wrg Without VGD	392-31775-001	5147868	*
	Harness Adapter Sys Wrg With VGD	392-31774-001	5147867	
151-2	Term Pin Wire Range 20-14	025-22214-000	144768	*
151-3	Cont Soc Wire Range 20-14	025-22215-000	62701	*
151-4	Cont Soc Awg Wire Size 20	025-19673-000	737536	*
151-5	Wire Elec 14 Awg Wht Per Aso	025-34106-000	738994	*
151-6	Wire Elec 18 Awg Grn/Yel Per	025-34025-000	738981	26
151-7	Hsg Connr Electrical Plug	025-19670-000	737533	26
151-8	Connector Receptacle Cap 15 R=5 6.35Mm	025-20788-000	737570	26
151-9	Connector Plug 15 R=5 6.35Mm	025-20918-000	737623	26
151-10	Hsg Connr Electrical Cap	025-20963-000	737627	26
151-11	Hsg Connr Electrical Cap	025-21191-000	737645	26
151-14	Term Wire 22-16 Awg	025-19408-000	737521	26

TABLE 15 - SYSTEM WIRING MEDIUM VOLTAGE SOLID STATE STARTER (CONT'D)

ITEM	DESCRIPTION	PART NUMBER	SAP	FIGURE
152	Harness Assy Sys Wrg Q Compr Without VGD	392-31773-001	5147866	26
	Harness Assy Sys Wrg YK H Q Compr With VGD	392-31772-001	5147865	
152-1	Plate Cover Control Panel	025-39475-201	739634	24
152-2	Harness Thrust Probe To Control Panel YK	392-31794-055	5147878	27
	Conduit Flexible Id=3/8In Id=.445In Ps	025-31302-001	738588	
	Connr, Conduit Flex Straight 3/8" Adapta	025-31309-001	265735	
	Connector Din 43650	025-34047-000	738987	
	Wire Elec 18 Awg Black	025-08913-000	588753	
	Wire Elec 18 Awg Grn/Yel Per	025-34025-000	738981	
Term Pin Wire Range 20-14	025-22214-000	144768		
152-3	Hsg Connr Electrical Cap	025-20963-000	737627	27
152-4	Plug Thd Id= Hd=16.000Mm Ps	025-31400-000	144735	27
152-5	Nut Lock For Knockout	021-18404-000	147692	27
152-6	Connr, Conduit Flex Angle	025-31315-001	144730	27
153	Harness Assy Sys Wrg Q Compr (Q3- Q6)	392-31770-001	5147863	26
	Harness Assy Sys Wrg Ykh Q Compr (Q7)	392-31771-001	5147864	
153-1	Plate Cover Control Panel	025-39475-401	739638	24,26
153-2	Connector Receptacle Cap 15 R=5 6.35Mm	025-20788-000	737570	26
153-3	Plug Thd Id= Hd=16.000Mm Ps	025-31400-000	144735	26
153-4	Nut Lock For Knockout	021-18404-000	147692	26
153-5	Harness 1Sol To Control Panel YKH	392-31789-066	5147871	24
	Conduit Flexible Id=3/8In Id=.445In Ps	025-31302-001	738588	
	Connr, Conduit Flex Straight 3/8" Adapta	025-31309-001	265735	
	Connector Iso 4400/Din	025-37876-000	117987	
	Wire Elec 18 Awg White	025-12729-000	144788	
	Wire Elec 18 Awg Black	025-08913-000	588753	
Term Pin Wire Range 20-14	025-22214-000	144768		
153-6	Harness Prv Motor To Control Panel YKH	392-31790-033	5147872	26
	Conduit Elec Flex 1/2 Liquid	025-30473-001	738505	
	Connr. Conduit Flex Straight 1/2 Swivel	025-37868-000	739487	
	Connector Plug Hsg, 9 Pos	025-38172-000	118000	
	Wire Elec 18 Awg Black	025-08913-000	588753	
	Wire Elec 18 Awg White	025-12729-000	144788	
	Cont Soc Awg Wire Size 18-14	025-37875-000	739491	
Term Pin Wire Range 20-14	025-22214-000	144768		
153-7	Harness VSOP Panel To Control Panel YKH	392-31791-039	5147873	24,25,26
	Conduit Elec Flex 1/2 Liquid	025-30473-001	738505	
	Connr, Conduit Flex Angle	025-31316-001	144731	
	Wire Elec 18 Awg Black	025-08913-000	588753	
	Cont Soc Wire Range 20-14	025-22215-000	62701	
Term Pin Wire Range 20-14	025-22214-000	144768		
153-8	Connr, Conduit Flex Angle	025-31315-001	144730	26
153-9	Connr, Conduit Flex Angle	025-31316-001	144731	26

TABLE 15 - SYSTEM WIRING MEDIUM VOLTAGE SOLID STATE STARTER (CONT'D)

ITEM	DESCRIPTION	PART NUMBER	SAP	FIGURE
153-10	Harness 1Htr To Control Panel YKH	392-31792-081	5147875	24
	Conduit Elec Flex 1/2 Liquid	025-30473-001	738505	
	Connr, Conduit Flex Angle	025-31316-001	144731	
	Wire Elec 14 Awg White	025-12714-000	737342	
	Wire Elec 14 Awg Black	025-08897-000	737229	
	Wire Elec 14 Awg Grn/Yel	025-29791-000	618134	
	Term Wire 16-14 Awg	025-19376-000	737519	
	Term Pin Wire Range 20-14	025-22214-000	144768	
153-11	Harness Oil Pump To VSOP Panel YKH	392-31793-046	5147876	24,25,26
	Conduit Elec Flex 1/2 Liquid	025-30473-001	738505	
	Connr, Conduit Flex Straight 1/2" Adapta	025-31310-001	618160	
	Wire Elec 14 Awg Black	025-08897-000	737229	
	Term Push On Straight	025-06642-000	737207	
	Cont Soc Wire Range 20-14	025-22215-000	62701	
153-12	Connector Plug 15 R=5 6.35Mm	025-20918-000	737623	26
153-13	Fitting Liquid Tight 1/2 Npt	025-28720-000	117421	26
153-14	Locknut, 1/2 Npt, Nylon Black;	025-34090-000	435354	26
154	Connector Din 43650	025-37805-000	144713	25
155	Valve, Ball 3/4-16Unf-2A	022-11715-000	338981	25
156	Transducer Pressure R-22 & 134	025-40088-000	144689	25
157	O-Ring Neo1 00.414ld .072Thk M	028-12961-002	683003	25
158	O-Ring Size=908 2.20 16.40Mm Neo1 N N/A	028-12961-004	588819	25

NOTE: Items with an * are NOT represented.

** Liquid Level Sensor Kit (Includes Sensor & Gasket) 325-47588-006

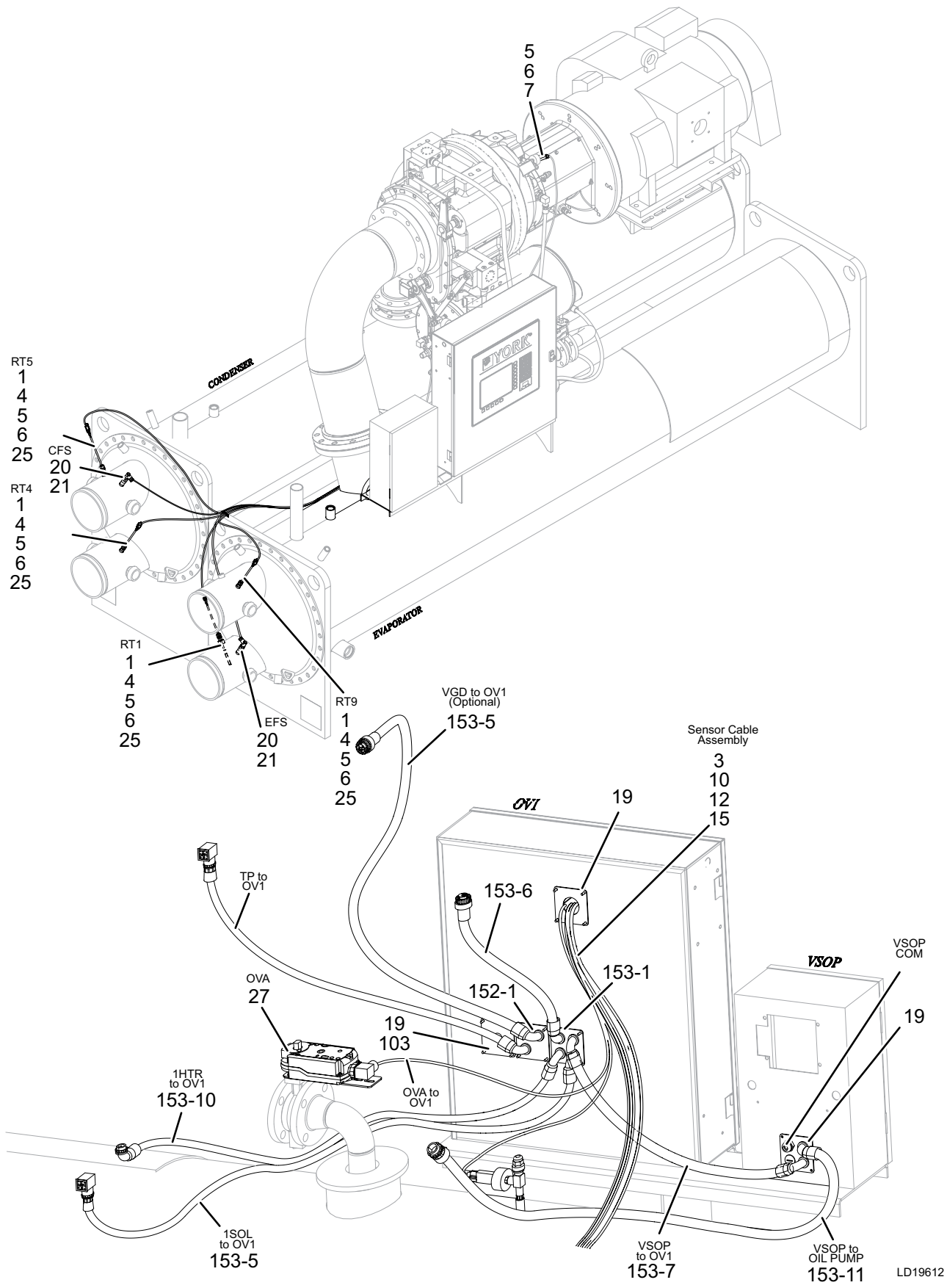
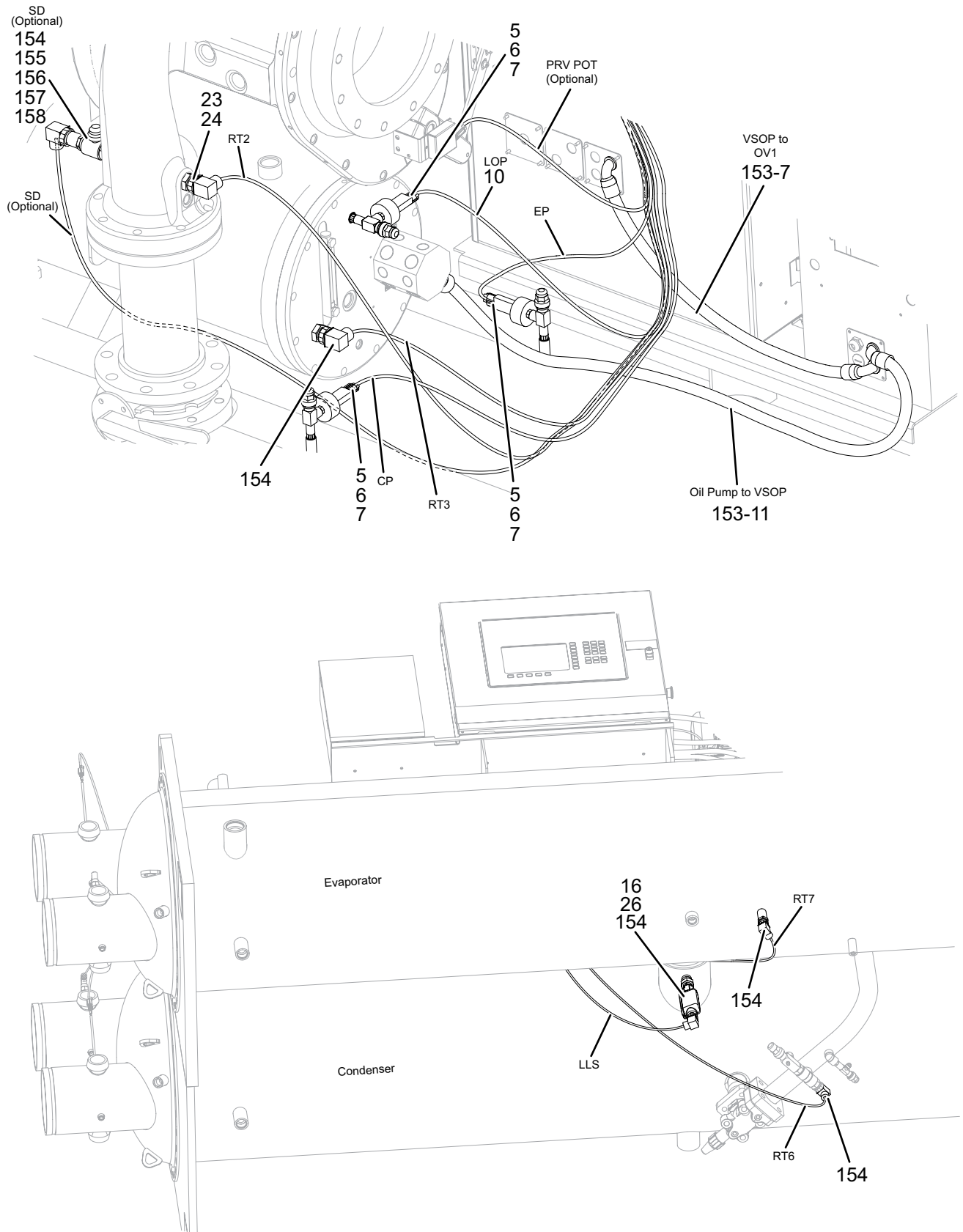


FIGURE 24 - SYSTEM WIRING MEDIUM VOLTAGE SOLID STATE STARTER



LD19613

FIGURE 25 - SYSTEM WIRING MEDIUM VOLTAGE SOLID STATE STARTER

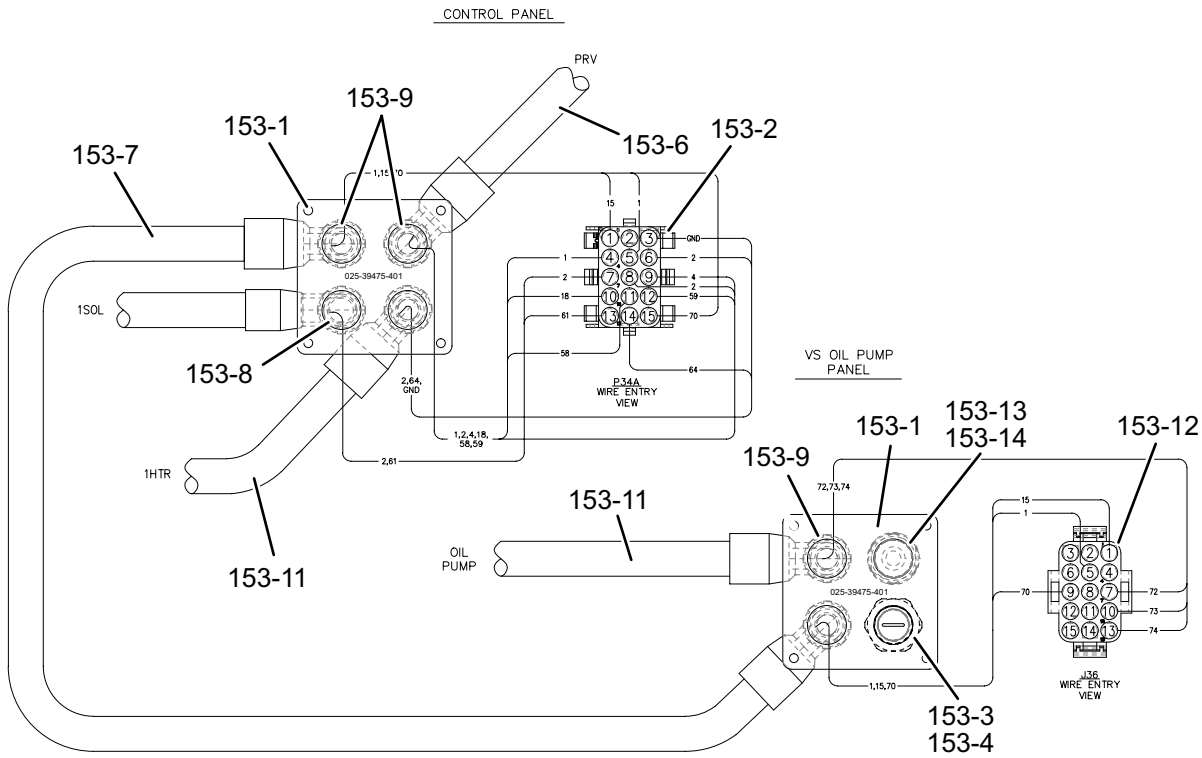
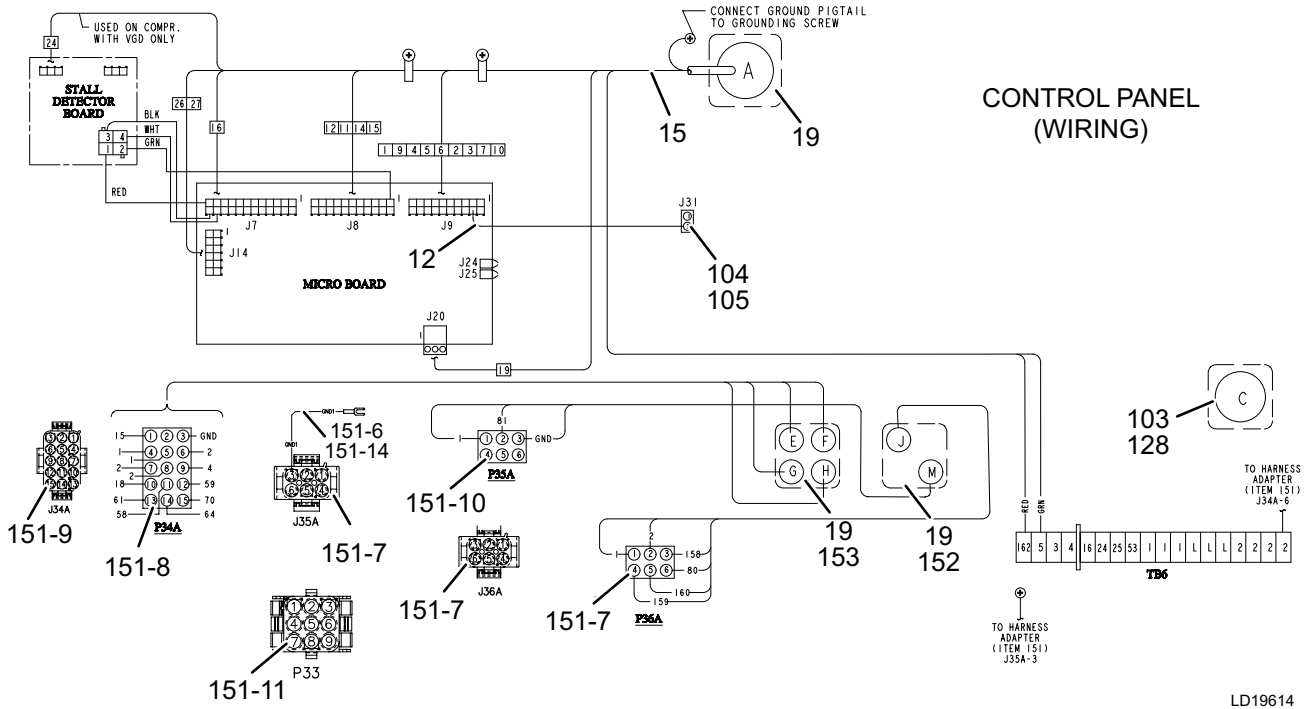
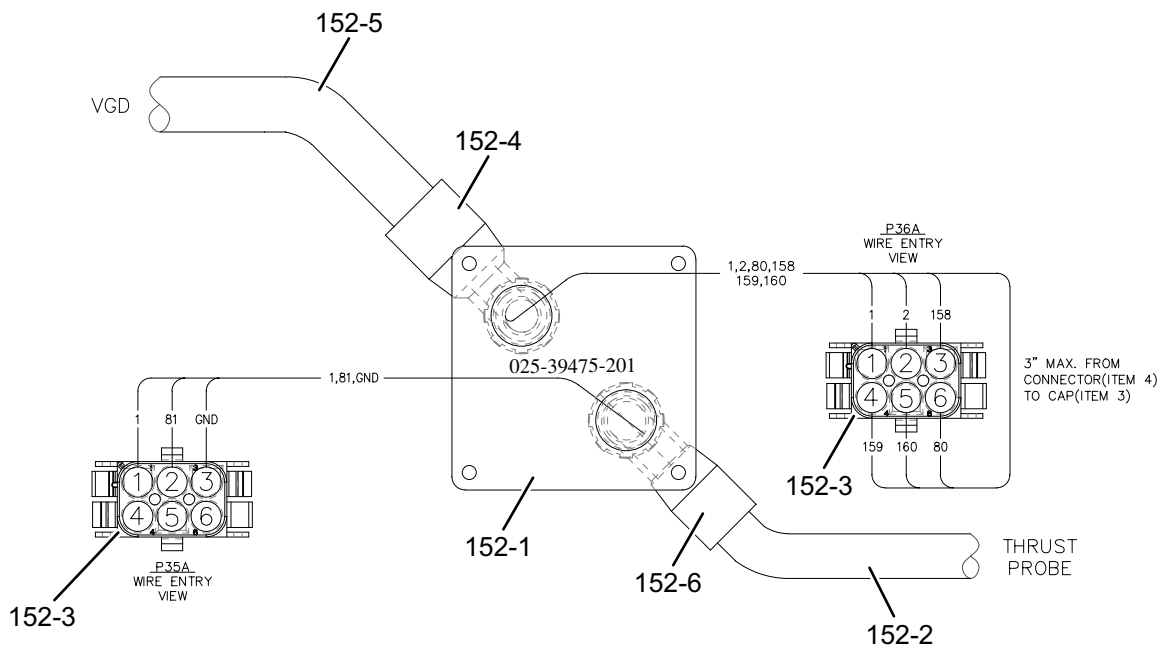


FIGURE 26 - SYSTEM WIRING MEDIUM VOLTAGE SOLID STATE STARTER



LD19834

FIGURE 27 - SYSTEM WIRING MEDIUM VOLTAGE SOLID STATE STARTER

TABLE 16 - SYSTEM WIRING VARIABLE SPEED DRIVE

ITEM	DESCRIPTION	PART NUMBER	SAP	FIGURE
1	Sensor Temp 3000 Ohms	025-29964-000	401192	29
2	Comp Heat Conductive 4 Oz	013-00898-000	616572	30
3	Strap Cable Black	025-23765-002	117313	30
4	Connector Plug Hsg, 2 Position	025-28951-000	62724	29
5	Contact Receptacle, 070 Series	025-28952-000	260	29,30
6	Collar Rubber, Black, 070	025-28950-000	65212	29,30
7	Connector Plug Hsg, 3 Position	025-28954-000	62725	29,30
10	Wire Elec 18 Awg Black	025-08913-000	588753	30,31
12	Contact Socket Mini Universal	025-28386-000	737925	30,31
15	Harness Shielded Cable Assy Ykh	392-31780-401	5147869	29,31
	Connr Ca Str 1-1/4 Ins:	025-15981-000	618089	
	Plate Cover Control Panel	025-39475-104	739632	
	Ferr Splice Cap For Use With	025-10372-000	737258	
	Insr Elec For Use With	025-10371-000	737257	
	Wire Elec 18 Awg Green	025-17774-000	144771	
	Term Wire 22-16 Awg	025-19408-000	737521	
16**	Gasket, Seal 1 Od X 7/8 Id X	028-04836-000	62960	30
18	Strap Cable Black	025-23765-001	117312	31
19	Gasket Control Panel System	028-14485-000	144453	29,31
20	Sensor Flow 1/2" Npt Conn	025-41573-000	739995	29
21	Connector, Micro 5 Pole	025-42799-000	740141	29
23	O-Ring Size=908 2.20 16.40Mm Neo1 N N/A	028-12961-004	588819	30
24	Sensor Temp 50,000 Ohms Din	025-39993-000	618222	30
25	Well Thermo	026-32328-000	1467	29
26**	Sensor Level R-134A	025-46044-006	1051796	30
27	Actuator Rotary Elec Max=41N/M 95° 24	025-47580-000	5147836	29
103	Plate Cover Control Panel	025-39475-102	681838	31
104	Hsg Connr Pin Comm 2 Ckt Nat	025-27974-000	737899	31
105	Term Pin 20-14 Awg Amp	025-18443-000	144773	31
121	Harness Vsd To Vsop Panel Ykh	392-31799-092	5147883	29,30,31
	Conduit Elec Flex 1/2 Liquid	025-30473-001	738505	
	Connr, Conduit Flex Angle	025-31316-001	144731	
	Wire Elec 16 Awg Blk Per Aso	025-34004-000	738969	
	Wire Elec 16 Awg Grn/Yel Per	025-34026-000	738982	
122	Harness VSD To Control Panel Ykh	392-31798-056	5147882	29,31
122-1	Conduit Elec Flex 3/4 Liquid	025-31307-001	738591	28
122-2	Connr, Conduit Flex Angle	025-31317-001	144733	28
122-3	Wire Elec 12 Awg Black	025-11510-000	737299	28
122-4	Wire Elec 12 Awg White	025-12811-000	737346	28
122-5	Wire Elec 16 Awg Black	025-08905-000	737230	28
122-6	Harness Ov Panel To Drive Fiber Com Ykh	392-15739-382	5147840	28
	Tube Braided Flexible Split	025-46171-000	5147834	
	Cable Fiber Optic F=2 999.9Mm	025-46501-000	5147835	
127	Ins Therm 1-1/2 X 48 X	010-02847-000	148269	31

TABLE 16 - SYSTEM WIRING VARIABLE SPEED DRIVE (CONT'D)

ITEM	DESCRIPTION	PART NUMBER	SAP	FIGURE
151	Harness Adapter Sys Wrg Without VGD	392-31775-001	5147868	*
	Harness Adapter Sys Wrg With VGD	392-31774-001	5147867	
151-2	Term Pin Wire Range 20-14	025-22214-000	144768	*
151-3	Cont Soc Wire Range 20-14	025-22215-000	62701	*
151-4	Cont Soc Awg Wire Size 20	025-19673-000	737536	*
151-5	Wire Elec 14 Awg Wht Per Aso	025-34106-000	738994	*
151-6	Wire Elec 18 Awg Grn/Yel Per	025-34025-000	738981	31
151-7	Hsg Connr Electrical Plug	025-19670-000	737533	31
151-8	Connector Receptacle Cap 15 R=5 6.35Mm	025-20788-000	737570	31
151-9	Connector Plug 15 R=5 6.35Mm	025-20918-000	737623	31
151-10	Hsg Connr Electrical Cap	025-20963-000	737627	31
151-11	Hsg Connr Electrical Cap	025-21191-000	737645	31
151-14	Term Wire 22-16 Awg	025-19408-000	737521	31
152	Harness Assy Sys Wrg Q Compr Without VGD	392-31773-001	5147866	*
	Harness Assy Sys Wrg YK H Q Compr With VGD	392-31772-001	5147865	
152-1	Plate Cover Control Panel	025-39475-201	739634	29,32
152-2	Harness Thrust Probe To Control Panel Yk	392-31794-055	5147878	29,32
	Conduit Flexible Id=3/8In Id=.445In Ps	025-31302-001	738588	
	Connr, Conduit Flex Straight 3/8" Adapta	025-31309-001	265735	
	Connector Din 43650	025-34047-000	738987	
	Wire Elec 18 Awg Black	025-08913-000	588753	
	Wire Elec 18 Awg Grn/Yel Per	025-34025-000	738981	
	Term Pin Wire Range 20-14	025-22214-000	144768	
152-3	Hsg Connr Electrical Cap	025-20963-000	737627	32
152-4	Connr, Conduit Flex Angle	025-31316-001	144731	32
152-5	Harness VGD Motor To Control Panel YKH	392-31795-058	5147879	29,32
	Conduit Elec Flex 1/2 Liquid	025-30473-001	738505	
	Connr. Conduit Flex Straight 1/2 Swivel	025-37868-000	739487	
	Connector Plug Hsg, 9 Pos	025-38172-000	118000	
	Wire Elec 18 Awg Black	025-08913-000	588753	
	Wire Elec 18 Awg White	025-12729-000	144788	
	Cont Soc Awg Wire Size 18-14	025-37875-000	739491	
	Term Pin Wire Range 20-14	025-22214-000	144768	
152-6	Connr, Conduit Flex Angle	025-31315-001	144730	32
153	Harness Assy Sys Wrg Q Compr (Q3- Q6)	392-31770-001	5147863	*
	Harness Assy Sys Wrg Ykh Q Compr (Q7)	392-31771-001	5147864	
153-1	Plate Cover Control Panel	025-39475-401	739638	29,32
153-2	Connector Receptacle Cap 15 R=5 6.35Mm	025-20788-000	737570	32
153-3	Plug Thd Id= Hd=16.000Mm Ps	025-31400-000	144735	32
153-4	Nut Lock For Knockout	021-18404-000	147692	32

TABLE 16 - SYSTEM WIRING VARIABLE SPEED DRIVE (CONT'D)

ITEM	DESCRIPTION	PART NUMBER	SAP	FIGURE
153-5	Harness 1SOL To Control Panel YKH	392-31789-066	5147871	29
	Conduit Flexible Id=3/8In Id=.445In Ps	025-31302-001	738588	
	Connr, Conduit Flex Straight 3/8" Adapta	025-31309-001	265735	
	Connector Iso 4400/Din	025-37876-000	117987	
	Wire Elec 18 Awg White	025-12729-000	144788	
	Wire Elec 18 Awg Black	025-08913-000	588753	
	Term Pin Wire Range 20-14	025-22214-000	144768	
153-6	Harness Prv Motor To Control Panel Ykh	392-31790-033	5147872	32
	Conduit Elec Flex 1/2 Liquid	025-30473-001	738505	
	Connr. Conduit Flex Straight 1/2 Swivel	025-37868-000	739487	
	Connector Plug Hsg, 9 Pos	025-38172-000	118000	
	Wire Elec 18 Awg Black	025-08913-000	588753	
	Wire Elec 18 Awg White	025-12729-000	144788	
	Cont Soc Awg Wire Size 18-14	025-37875-000	739491	
	Term Pin Wire Range 20-14	025-22214-000	144768	
153-7	Harness VSOP Panel To Control Panel YKH	392-31791-039	5147873	29,30,32
	Conduit Elec Flex 1/2 Liquid	025-30473-001	738505	
	Connr, Conduit Flex Angle	025-31316-001	144731	
	Wire Elec 18 Awg Black	025-08913-000	588753	
	Cont Soc Wire Range 20-14	025-22215-000	62701	
	Term Pin Wire Range 20-14	025-22214-000	144768	
153-8	Connr, Conduit Flex Angle	025-31315-001	144730	32
153-9	Connr, Conduit Flex Angle	025-31316-001	144731	32
153-10	Harness 1HTR To Control Panel YKH	392-31792-081	5147875	29
	Conduit Elec Flex 1/2 Liquid	025-30473-001	738505	
	Connr, Conduit Flex Angle	025-31316-001	144731	
	Wire Elec 14 Awg White	025-12714-000	737342	
	Wire Elec 14 Awg Black	025-08897-000	737229	
	Wire Elec 14 Awg Grn/Yel	025-29791-000	618134	
	Term Wire 16-14 Awg	025-19376-000	737519	
	Term Pin Wire Range 20-14	025-22214-000	144768	
153-11	Harness Oil Pump To VSOP Panel YKH	392-31793-046	5147876	29,32
	Conduit Elec Flex 1/2 Liquid	025-30473-001	738505	
	Connr, Conduit Flex Straight 1/2" Adapta	025-31310-001	618160	
	Wire Elec 14 Awg Black	025-08897-000	737229	
	Term Push On Straight	025-06642-000	737207	
	Cont Soc Wire Range 20-14	025-22215-000	62701	
153-12	Connector Plug 15 R=5 6.35Mm	025-20918-000	737623	32
156-13	Fitting Liquid Tight 1/2 Npt	025-28720-000	117421	32
15314	Locknut, 1/2 Npt, Nylon Black;	025-34090-000	435354	32
154	Connector Din 43650	025-37805-000	144713	30

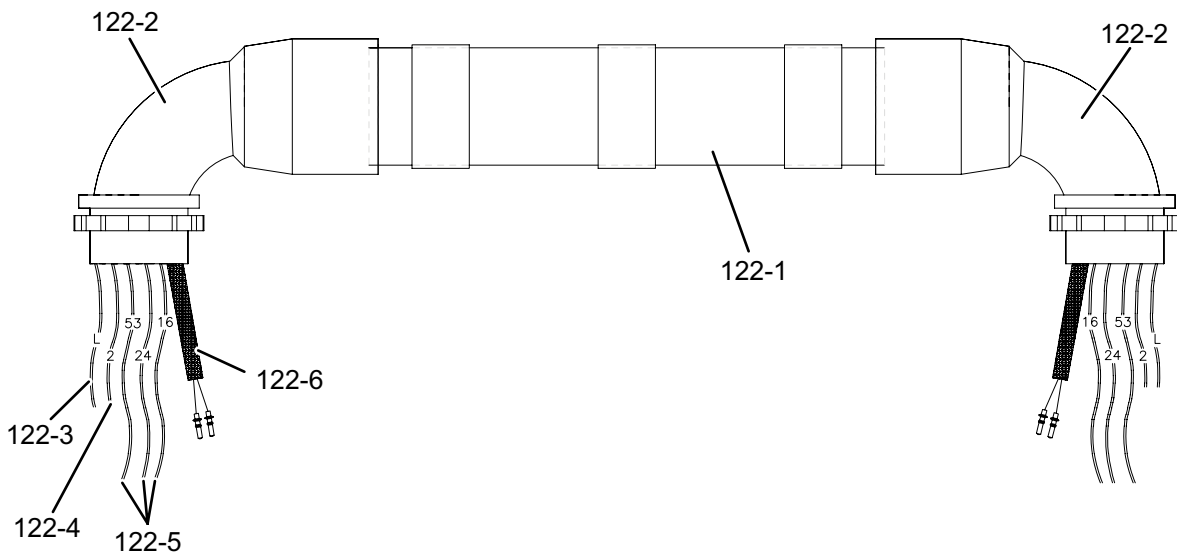
TABLE 16 - SYSTEM WIRING VARIABLE SPEED DRIVE (CONT'D)

ITEM	DESCRIPTION	PART NUMBER	SAP	FIGURE
155	Valve, Ball 3/4-16Unf-2A	022-11715-000	338981	30
156	Transducer Pressure R-22 & 134	025-40088-000	144689	30
157	O-Ring Neo1 00.414Id .072Thk M	028-12961-002	683003	30
158	O-Ring Size=908 2.20 16.40Mm Neo1 N N/A	028-12961-004	588819	30

NOTE: Items with an * are NOT represented.

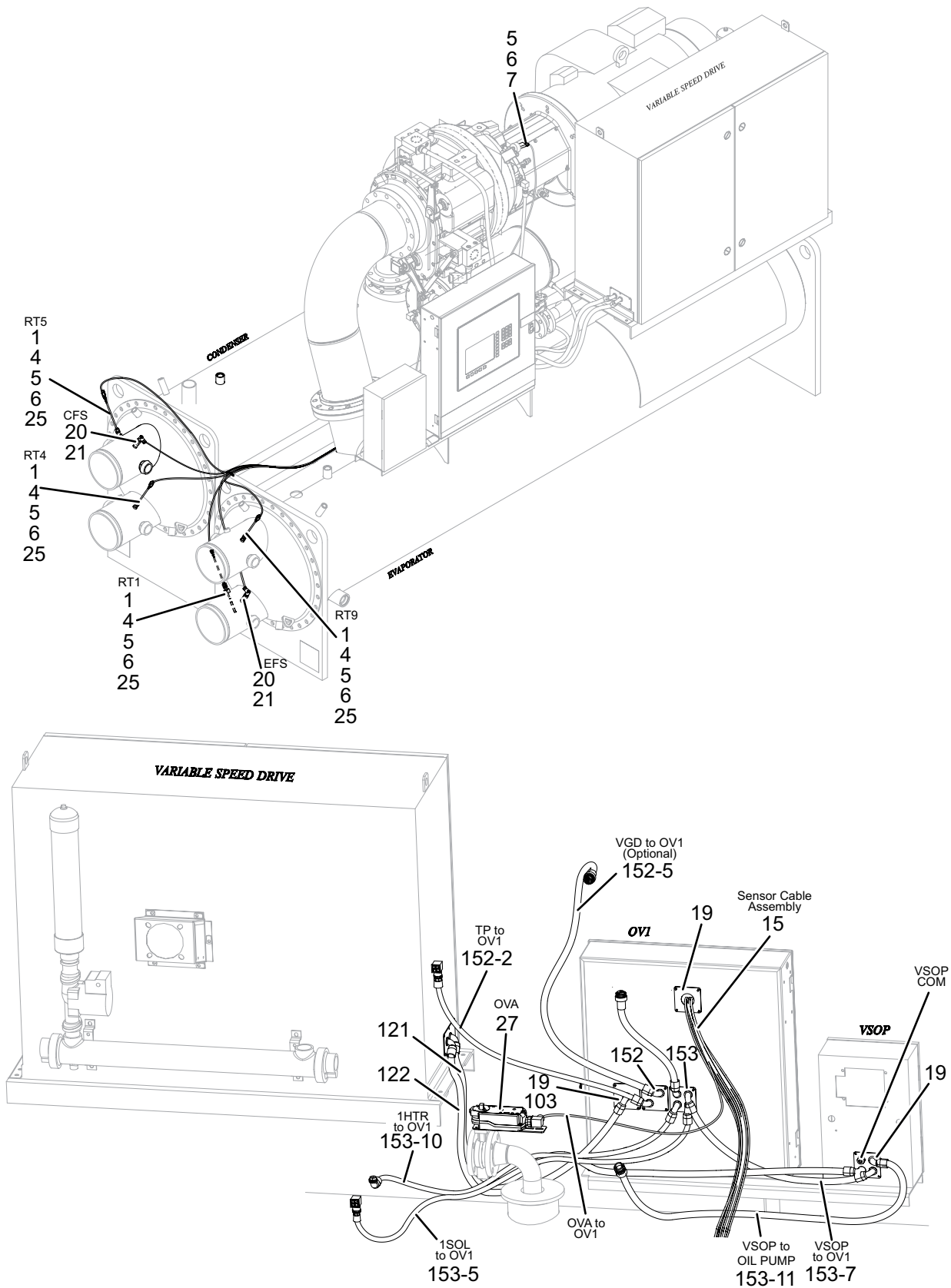
** Liquid Level Sensor Kit (Includes Sensor & Gasket) 325-47588-006

VARIABLE SPEED DRIVE
 TO
 OPTIVIEW PANEL



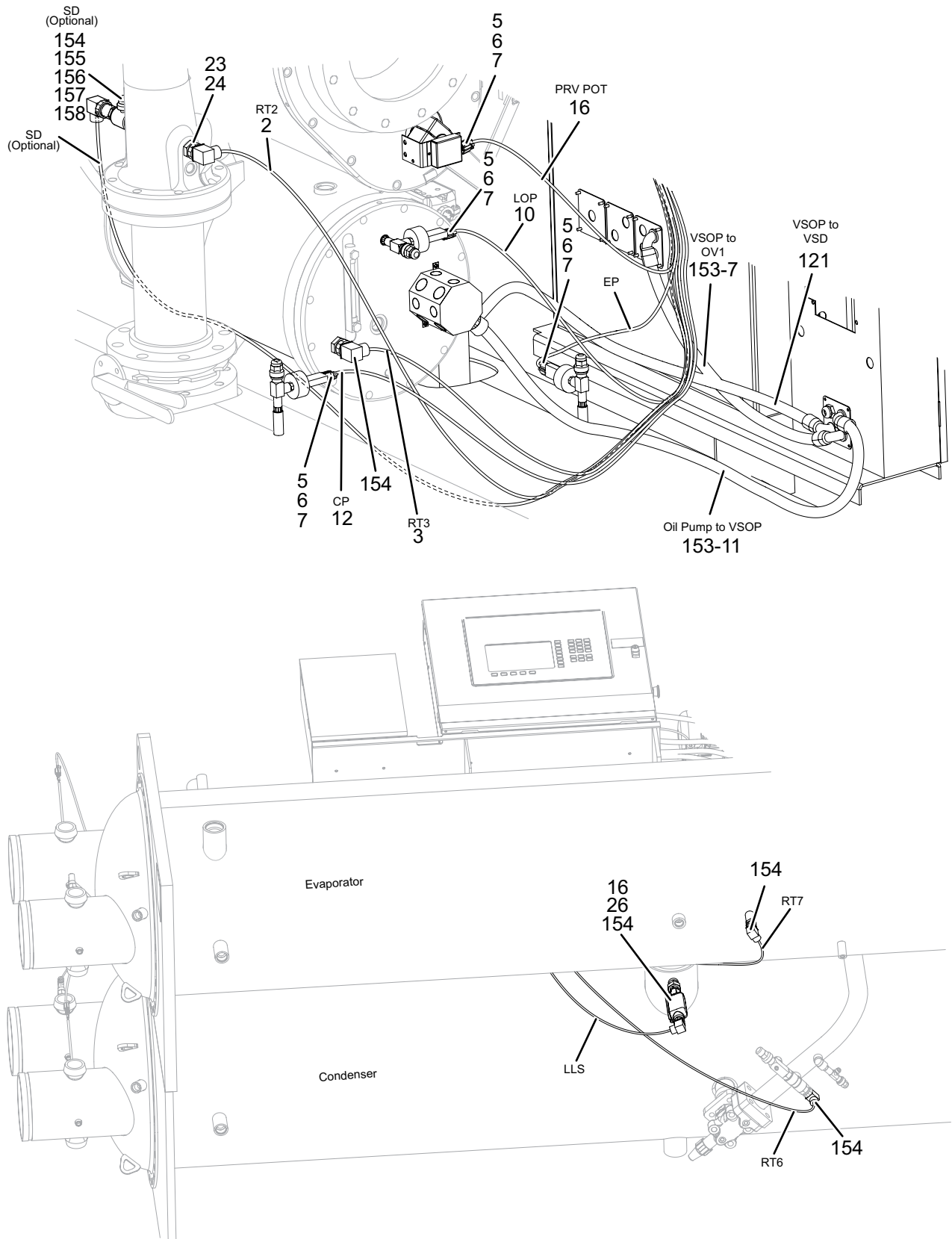
LD19836

FIGURE 28 - SYSTEM WIRING LOW VOLTAGE SOLID STATE STARTER



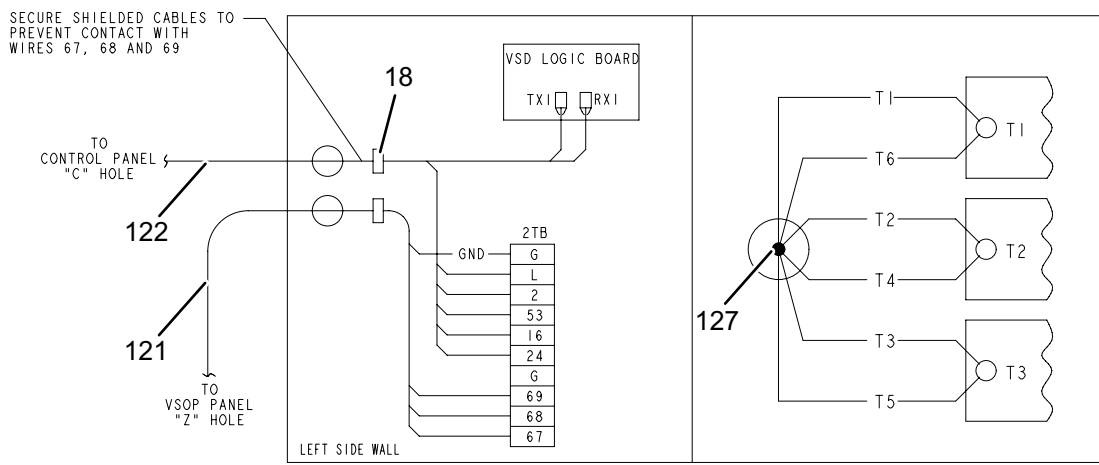
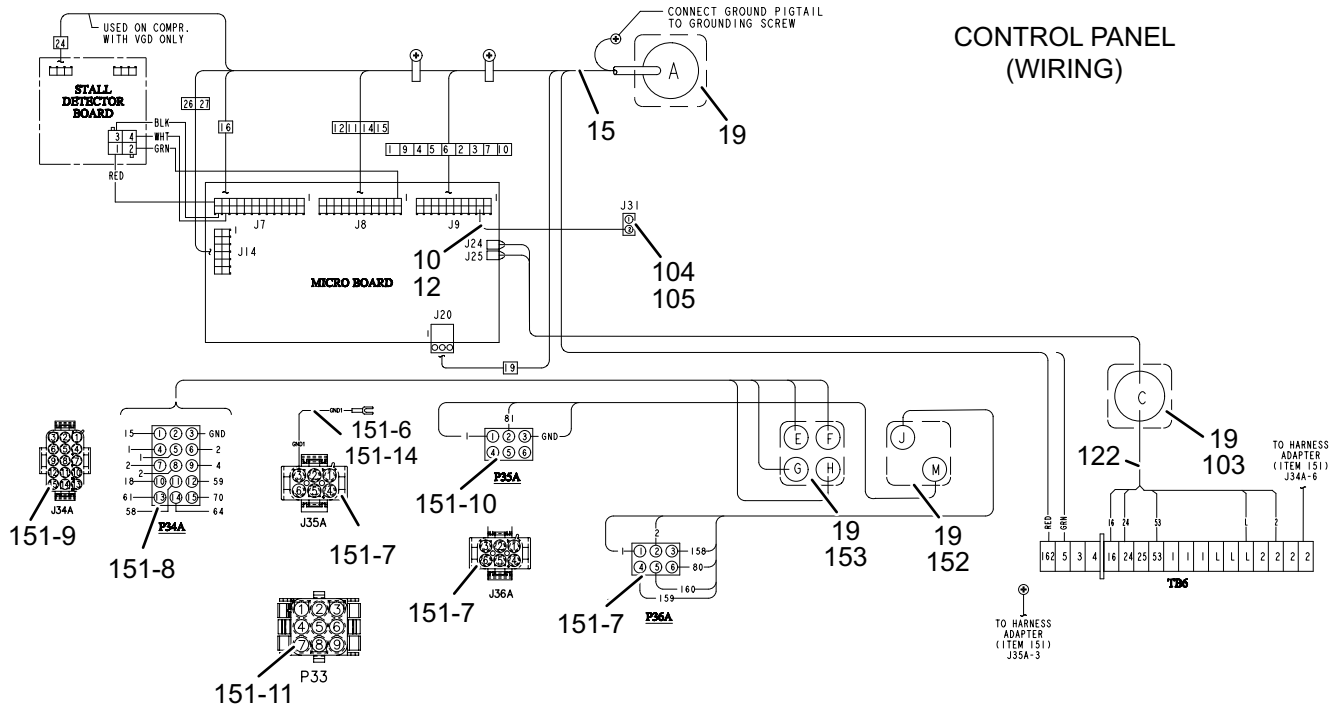
LD19615

FIGURE 29 - SYSTEM WIRING VARIABLE SPEED DRIVE



LD19773

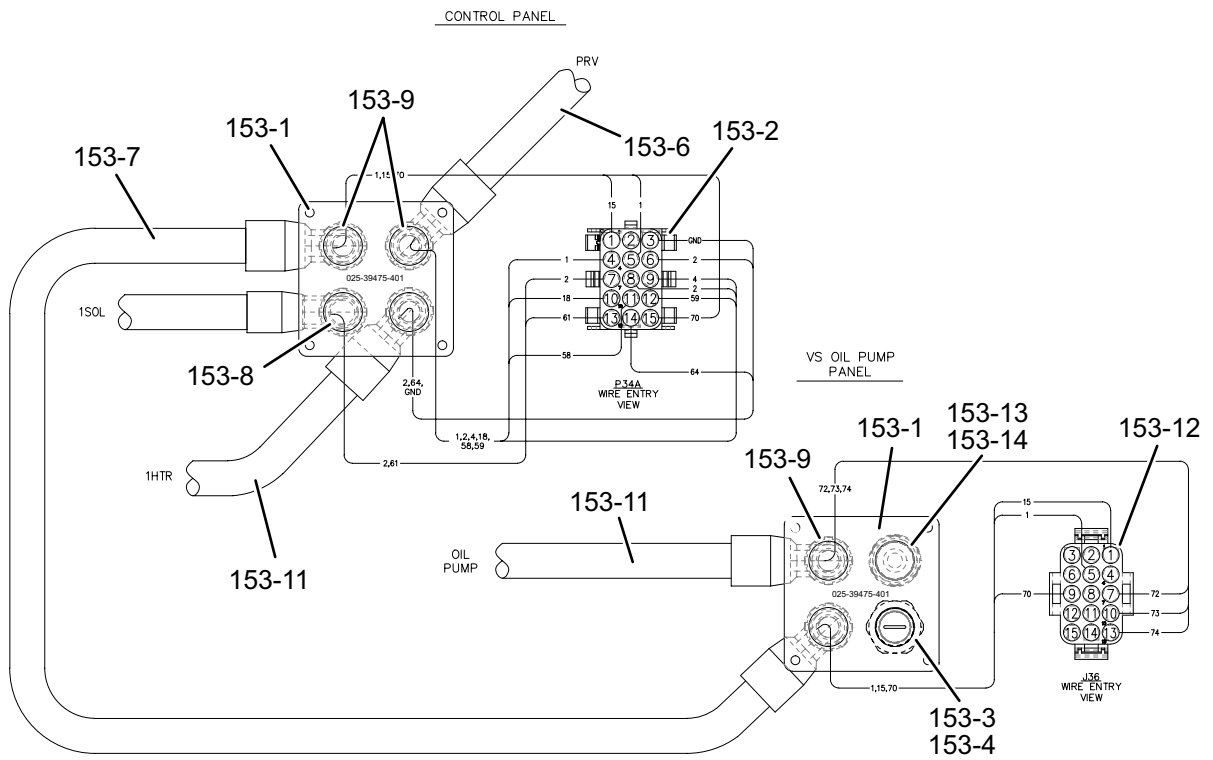
FIGURE 30 - SYSTEM WIRING VARIABLE SPEED DRIVE



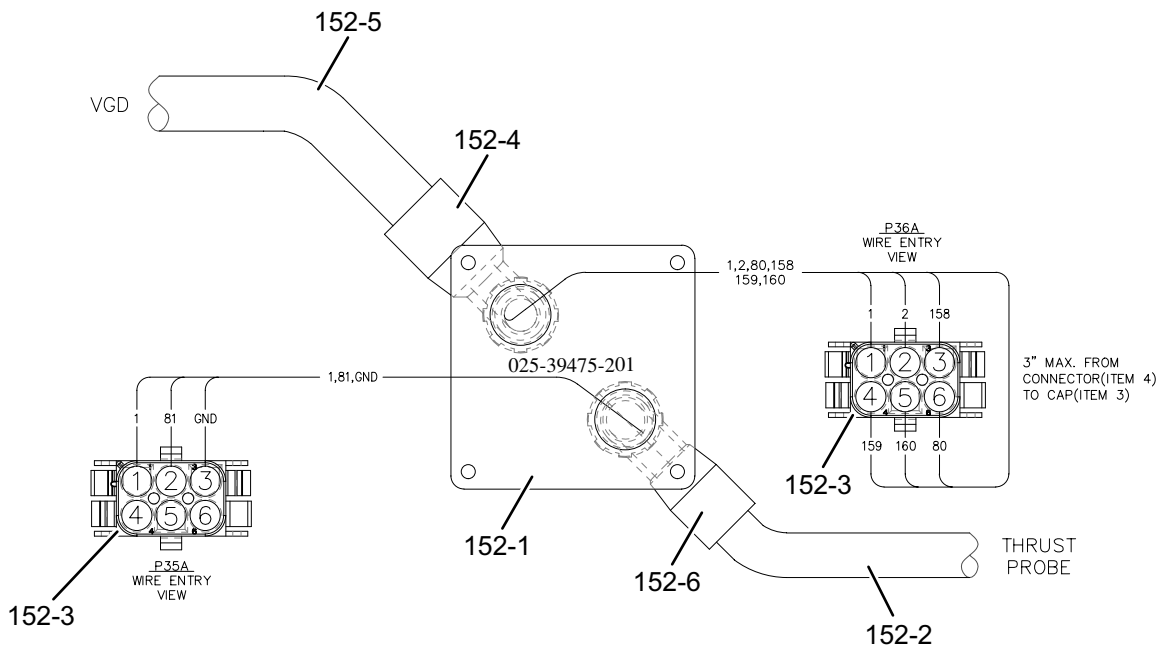
VARIABLE SPEED DRIVE PANEL

FIGURE 31 - SYSTEM WIRING VARIABLE SPEED DRIVE

LD19774



LD19833



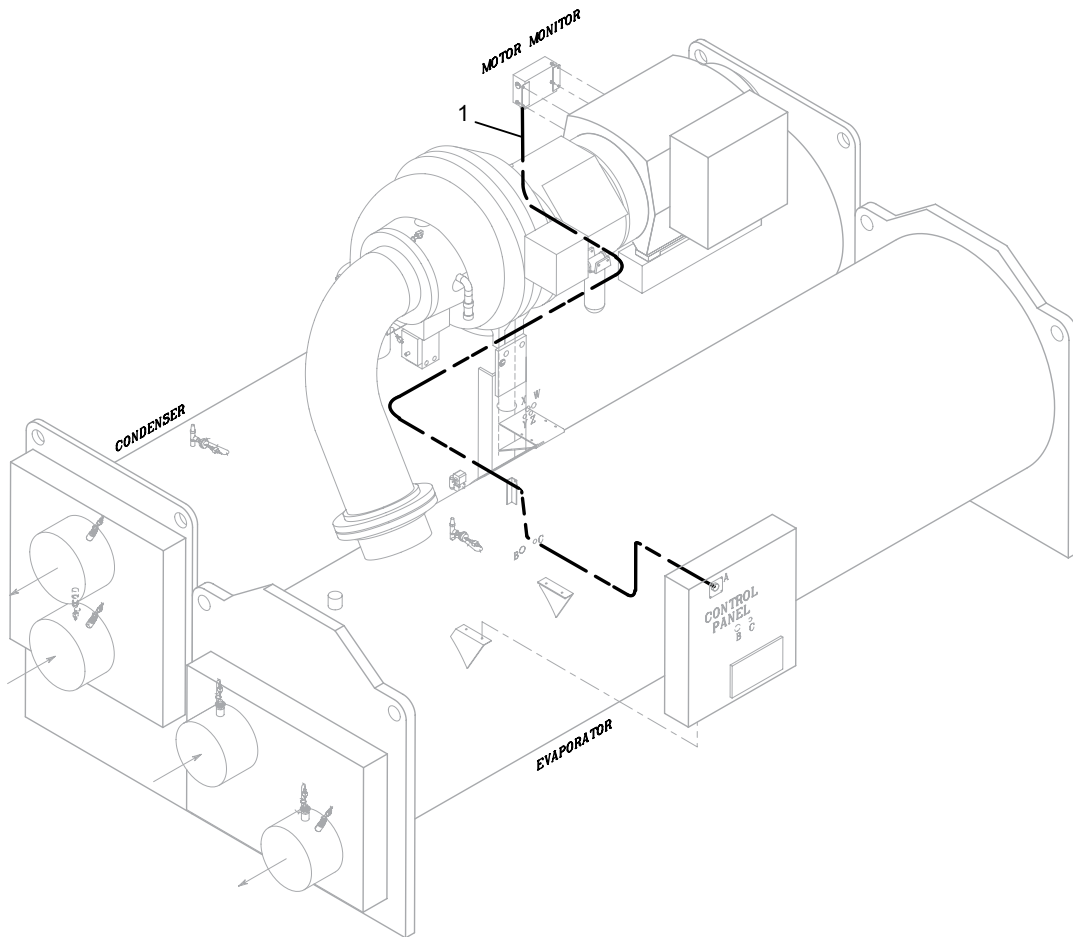
LD19834

FIGURE 32 - SYSTEM WIRING VARIABLE SPEED DRIVE

MOTOR MONITORING

TABLE 17 - MOTOR MONITORING

ITEM	DESCRIPTION	PART NUMBER	QUANTITY/ UNIT	FIGURE
1	Motor Monitoring Shielded Cable	025-43432-000	20 FT.	33,35
1a	Enclosure	371-05519-001	1	34
2	Motor Monitoring CONN CA STR 1/2	025-28720-000	1	35
2a	Grommet 1-3/8" O.D. x 5/16" hole	028-04346-000	1	34
3	Conn Ca Str 1/2"	025-28720-000	1	34
4	Ground Bar	025-42852-000	2	34
5	Screw/Washer Assy 8-32 x 5/8	021-18667-000	1	34
6	Spacer	021-17780-000	4	34
7	Circuit Board	031-02893-001	1	34
8	Nut, Hex	021-18025-000	4	34
10	Ring Seal 0 1/2" Elec Cond	025-09613-000	1	34
11	Lknt, Cnd 1/2" IPS	025-05701-000	1	34
12	Accelerometer	025-42937-000	2	35
13	Accelerometer Cable	025-42944-000	2	35
14	Accelerometer Glue Mount	025-42945-000	2	35



LD15218

FIGURE 33 - MOTOR MONITORING

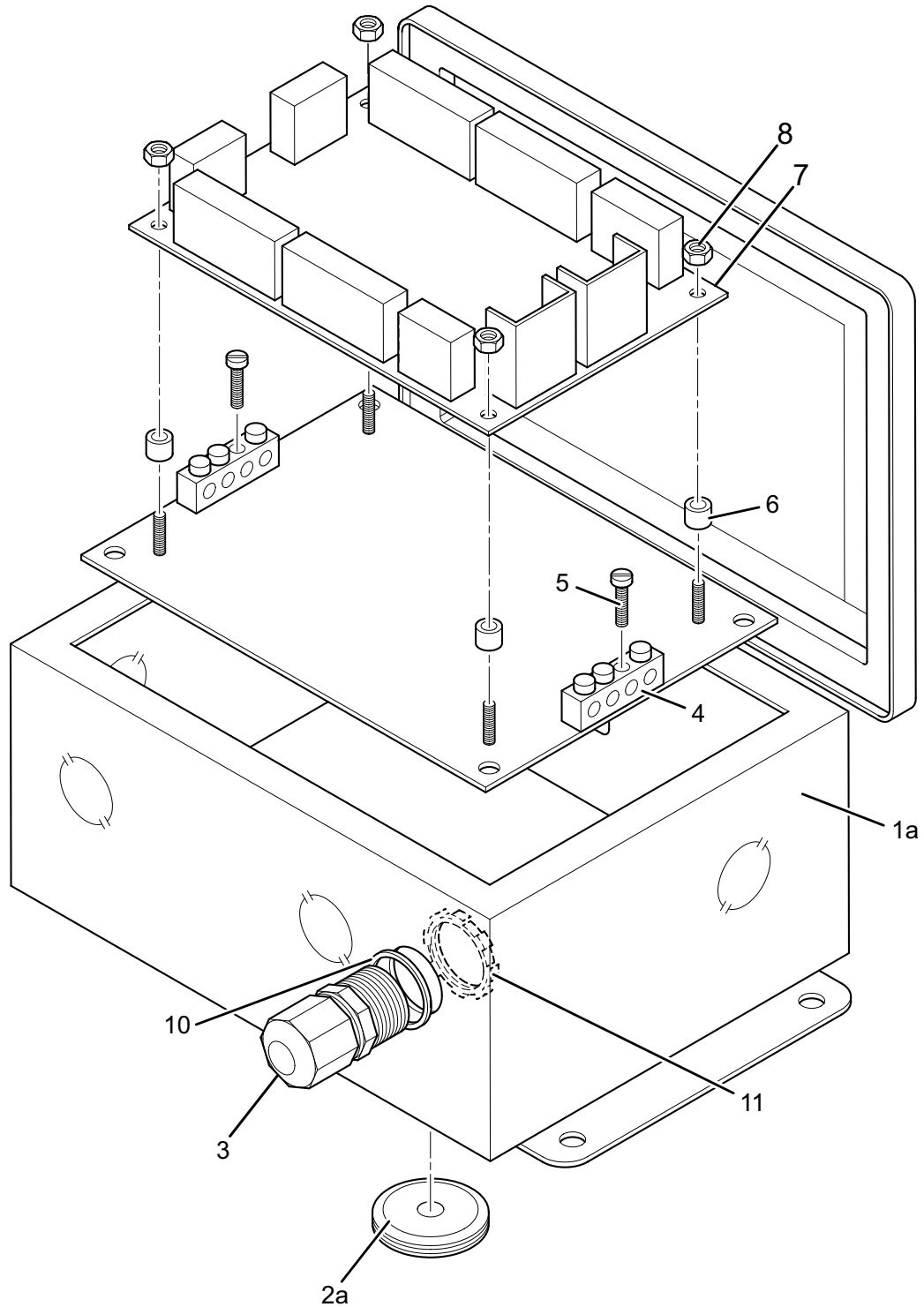
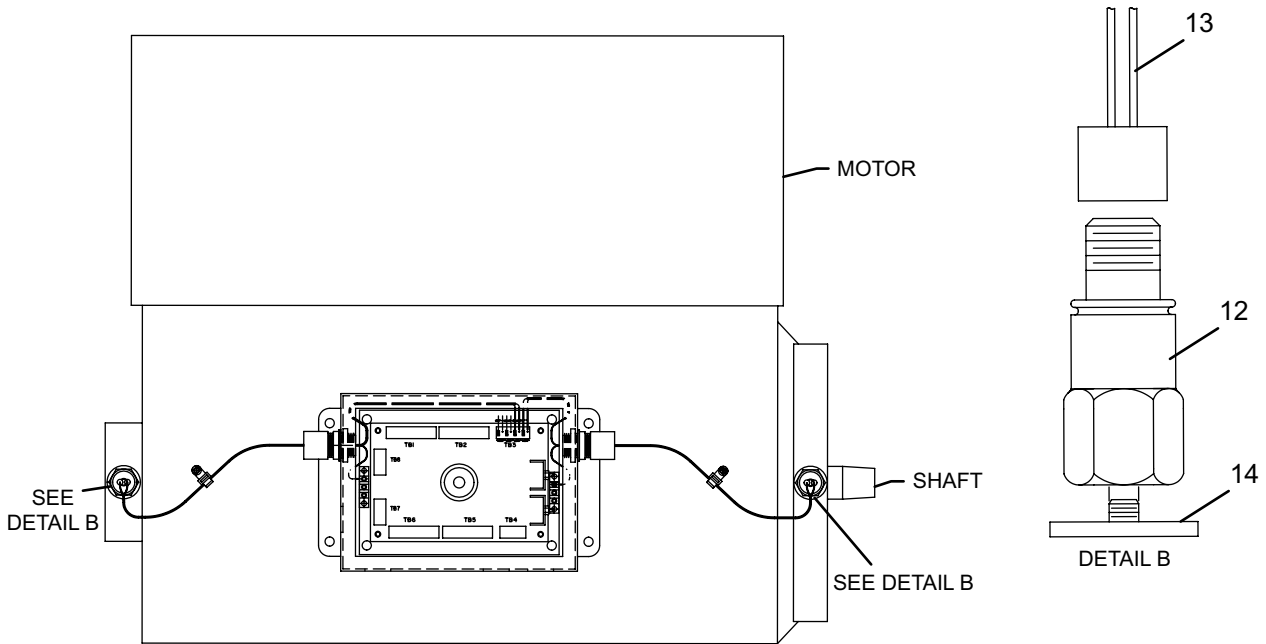
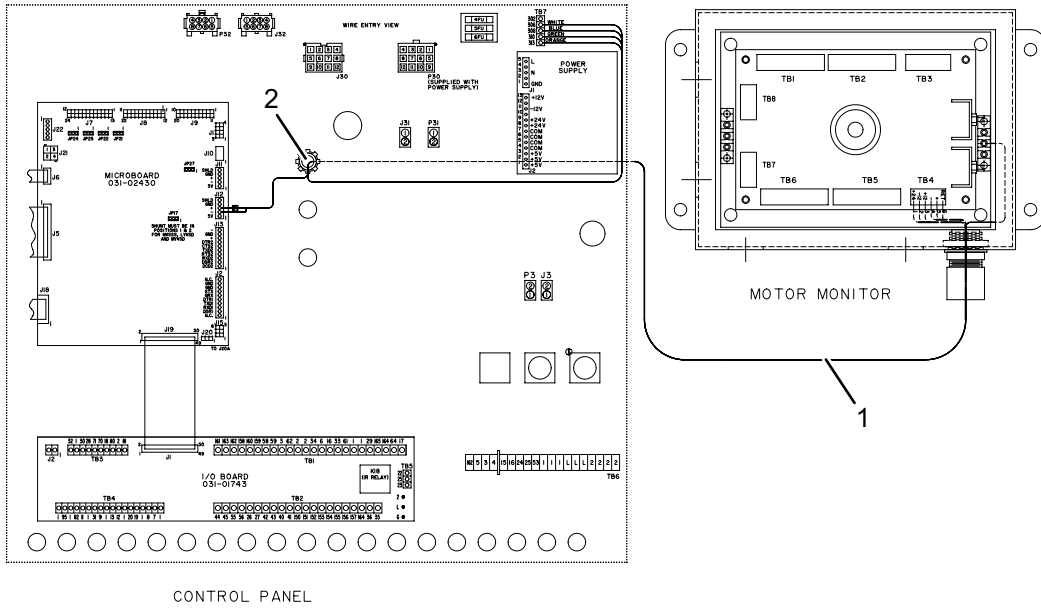


FIGURE 34 - MOTOR MONITORING



LD19799

FIGURE 35 - MOTOR MONITORING

THIS PAGE INTENTIONALLY LEFT BLANK.

EVAPORATOR TUBES

TABLE 18 - 3/4" EVAPORATOR TUBES

EVAP CODE	TUBE COUNT	TURBO B II+			TURBO B		TURBO - EHP11
		.025 WALL (MT #271)	.028 (MT #272)	.035 (MT #273)	.028 (MT #177)	.035 (MT #179)	.025 (MT #321)
2C	154	007-10004-000	007-10005-000	007-10006-000	007-08410-000	007-08411-000	007-09995-000
2D	181						
2E	214						
4C	234						
4D	263						
4E	278						
4F	289						
4G	324						
4H	340						
4I	364						
6A	313						
6B	340						
6C	399						
6D	430						
6E	474						
6F	498						

EVAPORATOR TUBES (CONT'D)

TABLE 18 (CONT'D) - 3/4" EVAPORATOR TUBES

TURBO - EHPII		TURBO ESP			MDE 1	
.028 (MT #322)	.035 (MT #323)	.025 (MT #371)	.028 (MT #372)	.035 (MT #373)	0.25 (MT #391)	.028 (MT #392)
007-10198-000	007-10641-000	007-10642-000	007-10643-000	007-10643-000	007-11189-000	007-11216-000

CONDENSER TUBES

TABLE 19 - 3/4"AND 1" CONDENSER TUBES

3/4" TUBES							
COND CODE	TUBE COUNT		TURBO-CSL			TURBO C	
	MAIN BUNDLE	SUBCOOLER	.025 (MT #260)	.028 (MT #261)	.035 (MT #262)	.028 (MT #201)	.035 (MT #203)
2P	138	16	007-09289-000	007-09282-000	007-09283-000	007-08412-000	007-07935-000
2Q	178	16					
2R	200	16					
2S	228	16					
22	89	-	N/A	N/A	N/A	N/A	N/A
	-	16					
23	127	-					
	-	16					
4P	223	32	007-09289-000	007-09282-000	007-09283-000	007-08412-000	007-07935-000
4Q	260	32					
4R	331	32					
4S	419	32					
42	135	32	N/A	N/A	N/A	N/A	N/A
43	159	32					
44	180	32					
45	201	32					
6P	323	32	007-09289-000	007-09282-000	007-09283-000	007-08412-000	007-07935-000
6Q	394	32					
6R	470	32					
6S	523	32					
6T	585	32					
63	207	-	N/A	N/A	N/A	N/A	N/A
	-	32					
64	259	-					
	-	32					

Note: For 3/4" tubes use Total # of tubes for quantity. For 1" tubes (2) part numbers are required. Use Main Bundle Qty. and Sub-Cooler Qty for each of these tubes.

CONDENSER TUBES (CONT'D)

TABLE 19 (CONT'D) - 3/4"AND 1" CONDENSER TUBES

3/4" TUBES		1" TUBES			
TURBO C II		TURBO-CSL			GEWA-C4
.028 (MT #225)	.035 (MT #226)	.025 (MT #266)	.028 (MT #267)	.035 (MT #268)	.028 (MT #317)
		.025 (MT #260)	.028 (MT #261)	.035 (MT #262)	.028 (MT #261)
007-09200-000	007-08518-000	N/A	N/A	N/A	N/A
N/A	N/A	007-10442-000	007-10443-000	007-10444-000	007-10449-000
		007-09289-000	007-09282-000	007-09283-000	007-09282-000
		007-10442-000	007-10443-000	007-10444-000	007-10449-000
		007-09289-000	007-09282-000	007-09283-000	007-09282-000
007-09200-000	007-08518-000	N/A	N/A	N/A	N/A
N/A	N/A	007-10442-000	007-10443-000	007-10444-000	007-10449-000
		007-09289-000	007-09282-000	007-09283-000	007-09282-000
		007-10442-000	007-10443-000	007-10444-000	007-10449-000
		007-09289-000	007-09282-000	007-09283-000	007-09282-000
007-09200-000	007-08518-000	N/A	N/A	N/A	N/A
N/A	N/A	007-10442-000	007-10443-000	007-10444-000	007-10449-000
		007-09289-000	007-09282-000	007-09283-000	007-09282-000
		007-10442-000	007-10443-000	007-10444-000	007-10449-000
		007-09289-000	007-09282-000	007-09283-000	007-09282-000

WATERBOX GASKETS

TABLE 20 - CONDENSER COMPACT WATERBOXES 150 PSI

SHELL CODE	1 PASS		2 PASS		3 PASS	
	GASKET P/N	FEET REQUIRED	GASKET P/N	FEET REQUIRED	GASKET P/N	FEET REQUIRED
2P, 2Q, 2R, 2S, 22, 23	028-16790	2'	028-16790	2'	028-16790	4'
4P, 4Q, 4R, 4S, 42, 43, 44, 45	028-16790	2.5'	028-16790	2.5'	028-16790	4.5'
6P, 6Q, 6R, 6S, 6T, 63, 64	028-16790	3'	028-16790	3'	028-16790	5'

NOTE: When ordering Gasket Material specify length required by replacing the -000 with either -025 for 25', -050 for 50', or -100 for 100'.

TABLE 21 - CONDENSER MARINE WATERBOXES 150 PSI

SHELL CODE	1 PASS		2 PASS		3 PASS	
	GASKET P/N	FEET REQUIRED	GASKET P/N	FEET REQUIRED	GASKET P/N	FEET REQUIRED
2P, 2Q, 2R, 2S, 22, 23	028-16790	23"	028-16790	15"	028-16790	30"
4P, 4Q, 4R, 4S, 42, 43, 44, 45	028-16790	27.5"	028-16790	18"	028-16790	35.5"
6P, 6Q, 6R, 6S, 6T, 63, 64	028-16790	31.5"	028-16790	20.5"	028-16790	41"

NOTE: When ordering Gasket Material specify length required by replacing the -000 with either -025 for 25', -050 for 50', or -100 for 100'.

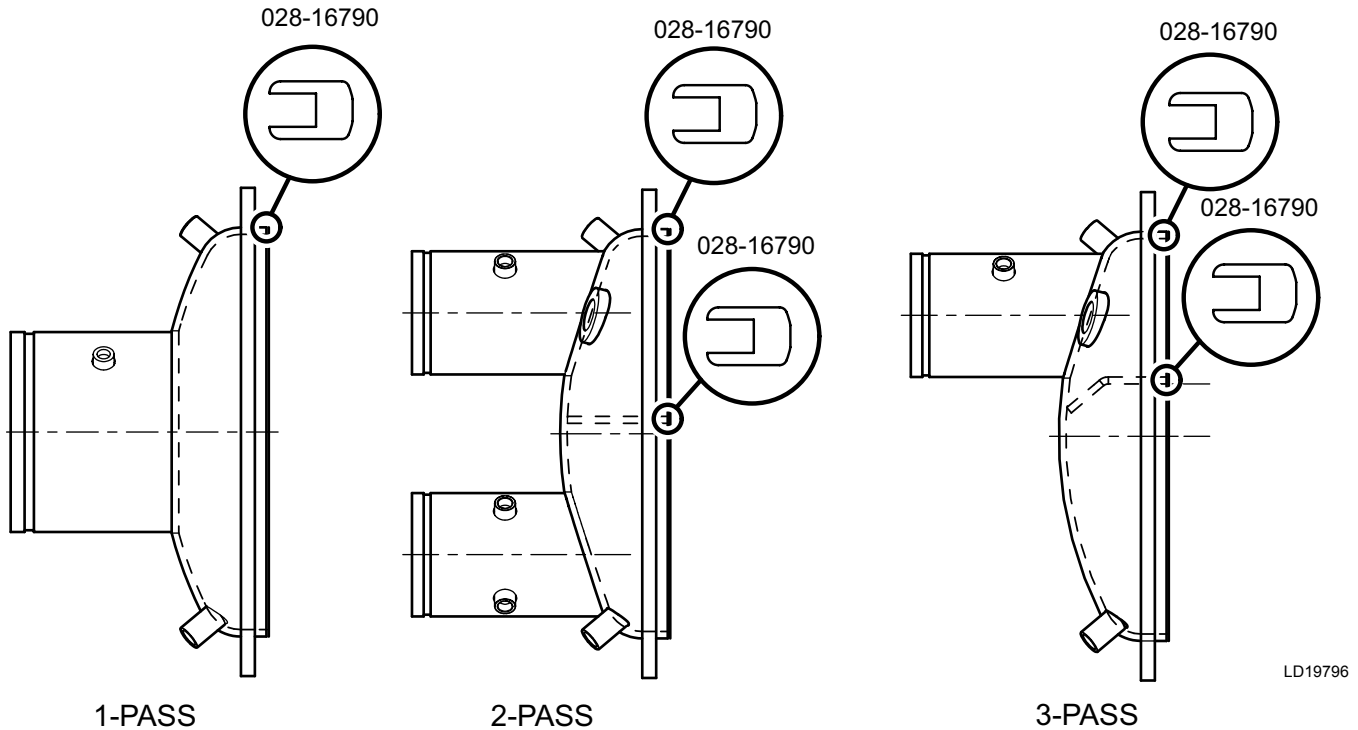


FIGURE 36 - CONDENSER 150 LB. WATERBOX GASKET

WATERBOX GASKETS (CONT'D)

TABLE 22 - EVAPORATOR COMPACT WATERBOXES 150 PSI

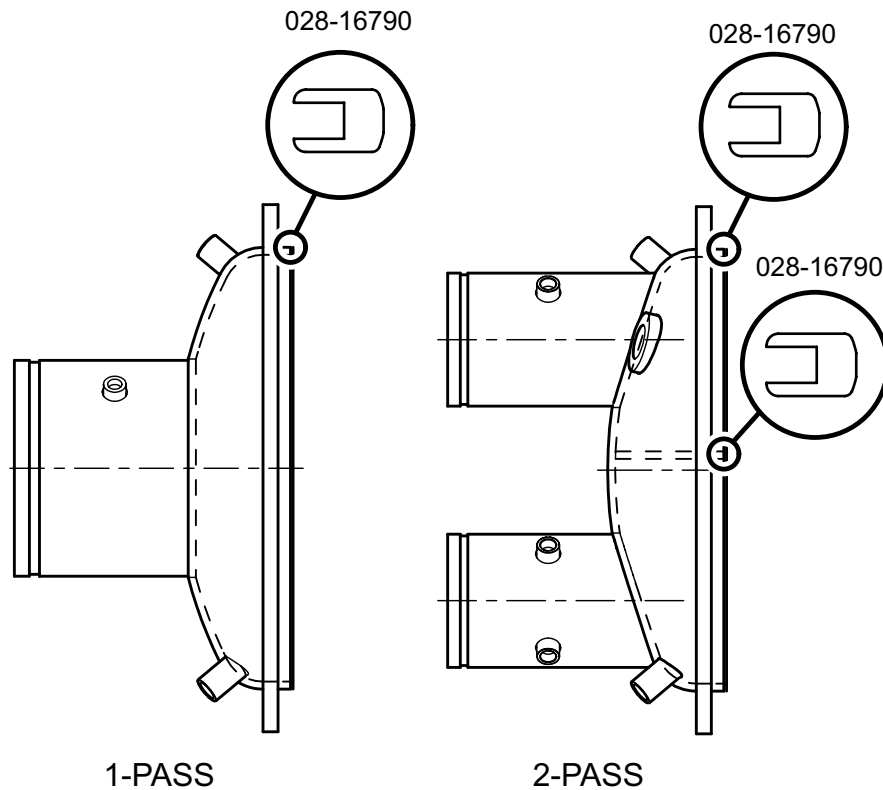
SHELL CODE	1 PASS		2 PASS	
	GASKET P/N	FEET REQUIRED	GASKET P/N	FEET REQUIRED
2C, 2D, 2E	028-16790	2'	028-16790	2'
4C, 4E, 4F, 4G	028-16790	2.5'	028-16790	2.5'
6A, 6B, 6C, 6D, 6E, 6F	028-16790	3'	028-16790	3'

NOTE: When ordering Gasket Material specify length required by replacing the -000 with either -025 for 25', -050 for 50', or -100 for 100'.

TABLE 23 - EVAPORATOR MARINE WATERBOXES 150 PSI

SHELL CODE	1 PASS		2 PASS	
	GASKET P/N	FEET REQUIRED	GASKET P/N	FEET REQUIRED
2C, 2D, 2E	028-16790	23"	028-16790	15"
4C, 4E, 4F, 4G	028-16790	27.5"	028-16790	18"
6A, 6B, 6C, 6D, 6E, 6F	028-16790	31.5"	028-16790	20.5"

NOTE: When ordering Gasket Material specify length required by replacing the -000 with either -025 for 25', -050 for 50', or -100 for 100'.



LD19798

FIGURE 37 - EVAPORATOR WATERBOXES 150 PSI

VIBRATION ISOLATORS

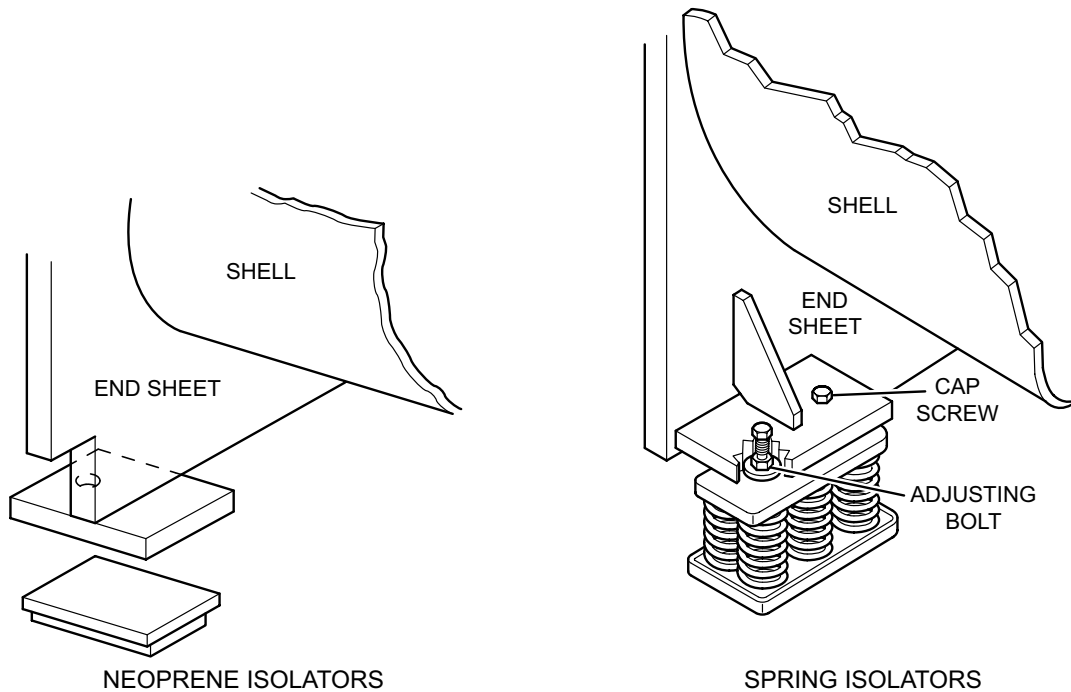
TABLE 24 - NEOPRENE VIBRATION ISOLATORS

SYSTEM OPERATING WEIGHT		PART NUMBER (Includes Quantity of 4 Pads)	PAD SIZE
KILOGRAMS	POUNDS		
Up to 7423	Up to 16,365	028-14462-000	5.5" x 5.5" (14 x 14 cm)
7424 to 13,107	16,366 to 28,835	028-14459-000	7" x 5.5" (23 x 14 cm)
13,108 to 24,332	28,836 to 53,530	028-14460-000	9" x 7" (23 x 18 cm)

NOTE: * When used with K7. Quantity is 2.

TABLE 25 - SPRING ISOLATORS

SYSTEM OPERATING WEIGHT		PART NUMBER (Includes Quantity 4 Spring Bolts)	QUANTITY (Number of Mounts Per Package)
KILOGRAMS	POUNDS		
4536 to 8873	10,000 to 19,563	029-23716-000	4
8874 to 11,093	19,564 to 24,457	029-21793-000	4
11,094 to 13,982	24,458 to 30,826	029-21376-000	4



LD13057

FIGURE 38 - NEOPRENE ISOLATORS / SPRING ISOLATORS

CURRENT TRANSFORMER KITS
USE WITH FACTORY-MOUNTED MOTORS ONLY
USE WITH FIELD INSTALLED ELECTRO-MECHANICAL STARTERS ONLY

TABLE 26 - CURRENT TRANSFORMER KIT AND TRANSFORMER ONLY

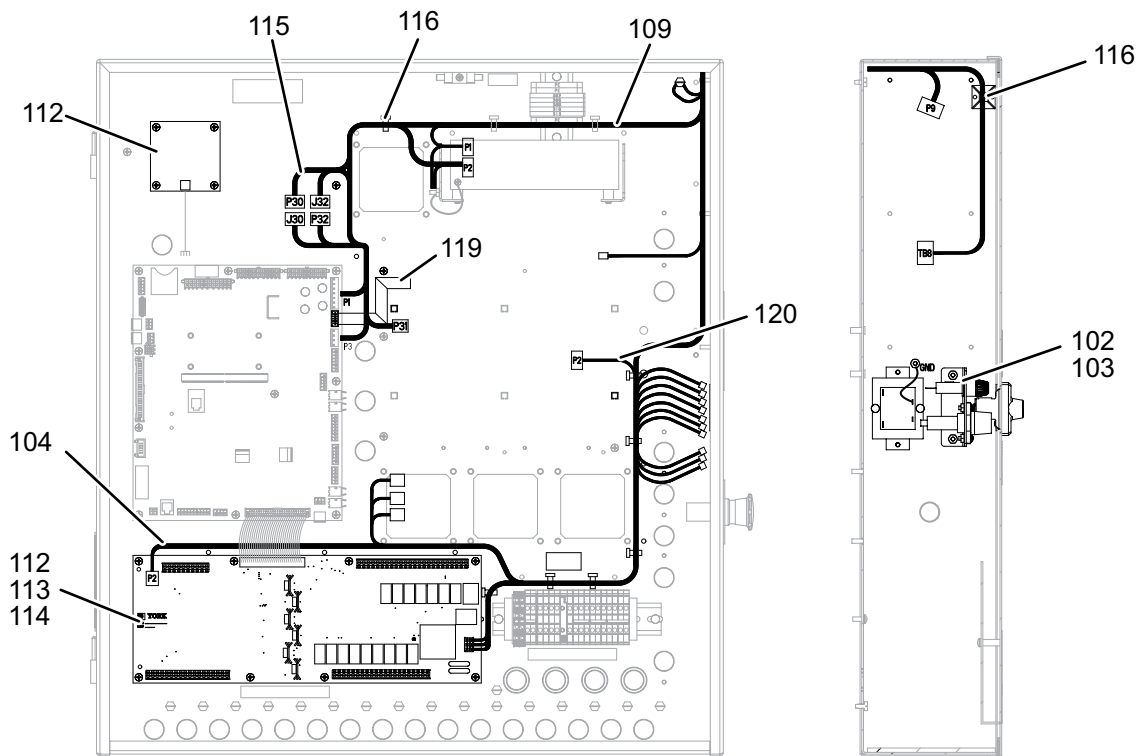
MOTOR VOLTAGE	FLA	"CT" RATIO	PART NUMBER		"R" RESISTOR SETTING
			TRANSFORMER KIT (Includes Transformer)	TRANSFORMER ONLY	
200/600	65-111	200:1	375-17422-701	025-29469-000	R = <u>1.282</u> (CT Ratio) Motor FLA
	112-224	350:1	375-17422-702	025-21173-002	
	225-829	700:1	375-17422-703	025-21173-003	
	830-1790	1400:1	375-17422-704	025-21173-004	
2300-4160	11-18	200:1	375-17422-705	025-29469-000	R = <u>0.247</u> (CT Ratio) Motor FLA
	19-37	200:1	375-17422-705	025-29469-000	R = <u>0.370</u> (CT Ratio) Motor FLA
	38-123	200:1	375-17422-705	025-29469-000	R = <u>0.740</u> (CT Ratio) Motor FLA
	124-264	350:1	375-17422-706	025-21173-002	
	265-518	700:1	375-17422-707	025-21173-005	
	519-1036	1400:1	375-17422-708	025-21173-011	

TABLE 27 - CONTROL PANEL

ITEM	DESCRIPTION	PART NUMBER	SAP	FIGURE
2	Clamp Ribbon Wire, Gray	025-25156-000	737712	40,41
3	Clamp, Ribbon Wire Gray,	025-29103-000	738253	40,41
4	Kit, TB6 Terminal Block	025-47495-000	5013929	41
5	Screw Tap Thd Form Type B	021-14786-000	654264	41
6	Class 2 Stepdown Transformer	025-30889-000	738521	41
7	Screw/Washer Assy (SEMS)	021-29526-000	730557	41
8	Mount Anti-Vibration	021-19191-000	730394	41
9	Power Supply	025-34111-000	1386	41
10	Screw Mach Pan Hd Recd 1	021-01687-000	729377	41
11	Nut Expansion	021-14661-000	729841	41
12	Control, Optiview Microboard, YK	031-03630-001	1190844	41
13	Screw Tap Thd Form Type B	021-14667-000	166427	41
14	Switch, Keypad, Optiview Panel	024-39355-000	5013928	41
15	Gasket 1/16 X 1/2 Neoprene	071-05170-000	749141	40
16	Washer Plain Type B .203 Id X	021-19175-000	730388	40
17	Kit, Display Optiview Panel	331-01771-000	770400	40
17a	Cable Inverter YM Panel	031-01770-005	896610	40
18	Spacer, Plastic, 3/8 Od X 1	021-19173-000	730387	40
19	Nut/Washer Assy (KEPS)	021-19174-000	115867	40,41
31	Strap Grounding	025-32505-001	738720	41
32	Nut/Washer Assy (KEPS)	021-17664-000	115817	40,41
33	Switch, Pb Legend Plate, Safety Stop	025-44646-000	740573	41
34	Switch Pushbutton, E-Stop	025-43677-000	740330	41
35	Screw Tap Thd Form Ty Ab	021-13763-000	729754	41
36	Screw Tap Thd Cut Ty F	021-17608-000	616868	41
37	Mount Ca Strap White Adh	025-25155-000	117321	41
38	Rail, Din, Tab, 35 X 7.5 X 127 Mm Lg	071-05906-050	837972	41
39	Washer Cup Term #10 Screw	021-14191-000	729805	41
40	Kit Terminal Block Control	025-43331-000	740263	41
41	Fuseholder 1 Pole 24 Amp 300V	025-34186-000	739026	41
42	Screw Tap Thd Form Type B	021-13777-000	729758	41
43	Fuse, Microfuse, 5 Amp,	025-34592-000	48817	41
44	Ribbon Cable, Keypad Nema 1	031-01772-000	743825	40
	Ribbon Cable, Keypad Nema 4/12 and CE	031-02015-000	743843	
45	Ribbon Cable I/O Board	031-01779-000	63158	41
46	Fuse Type=Wire 2.00A 125V GI	025-47424-005	1201283	41
47	Surge Suppressor	031-00808-000	618876	41
48	Bag Cloth 4 Wide X 5-1/2	030-08277-000	144075	41
49	Fuse, Cartridge Ty, 5 Amp,	025-15759-000	737426	41
50	Fuse, Microfuse, 4 Amp	025-43368-000	837132	41
51	Fuse, Cartridge Ty, 20 Amp,	025-28967-000	1327	41
52	Fuse Cartridge Ty 5 Amp	025-14019-000	3340	41
102	Fuse Assembly, Optiview YK Mod H	371-06975-320	5017553	39
103	Nut/Washer Assy (KEPS)	021-17664-000	115817	39
104	Wiring Main Harness, Optiview YK Mod H	571-06975-241	5017556	39

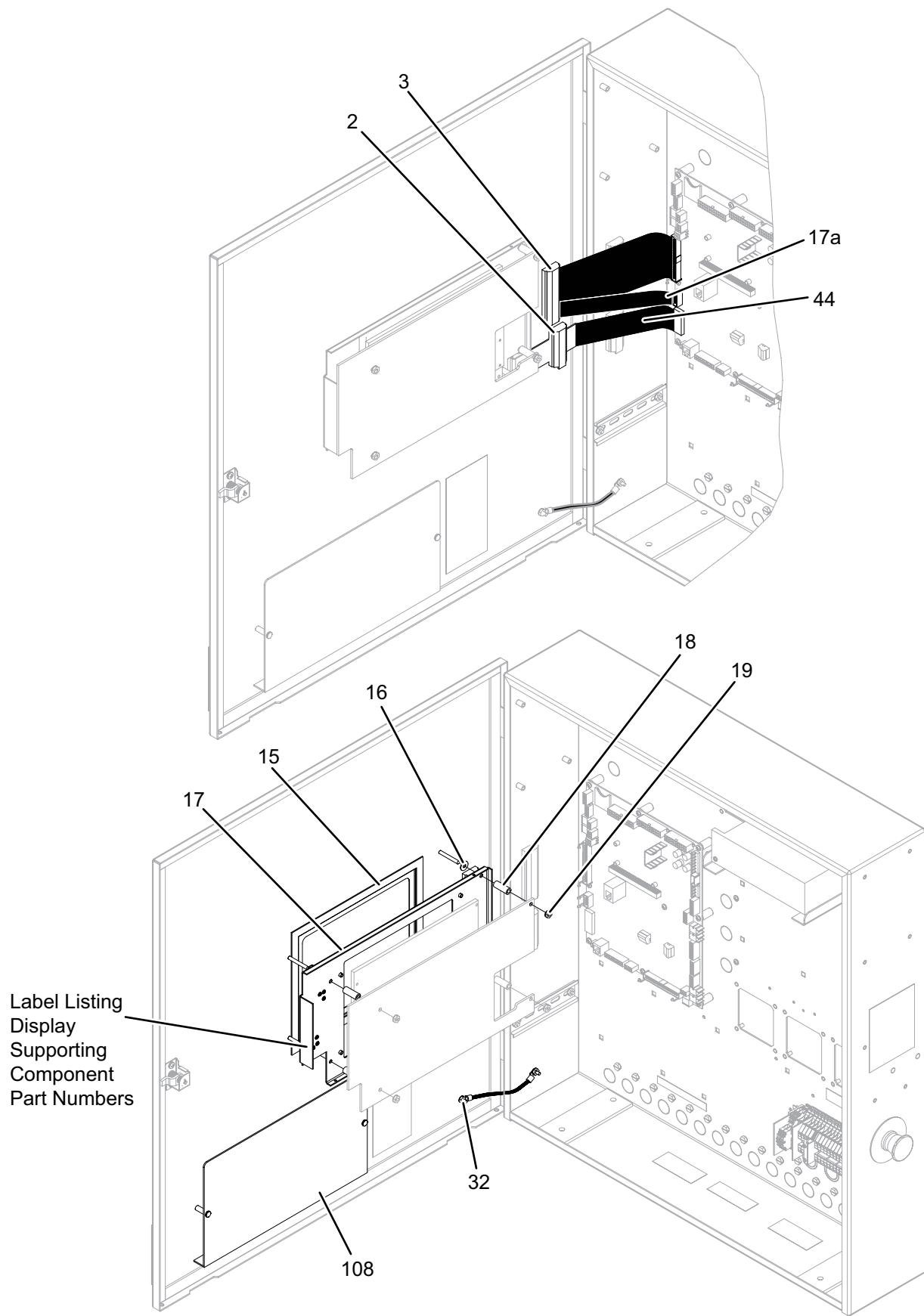
TABLE 27 - CONTROL PANEL (CONT'D)

ITEM	DESCRIPTION	PART NUMBER	SAP	FIGURE
108	Wiring Diagram, Optiview YK Mod H	035-24526-000	5017531	39
109	Wiring Aux Harness, Optiview YK Mod H	571-06975-251	5017558	39
111	Card, SD, Programmed Optiview YK	031-03601-002	5017530	*
112	Nut Expansion	021-14661-000	729841	39
113	Screw Tap Thd Form Type B	021-14667-000	166427	39
114	Control Optiview I/O Board	031-01743-001	743821	39
115	Wiring Harness, Power Supply Optiview Ctrl Pnl	571-06765-271	1201333	39
116	Cable Tie L=101.600Mm White	025-18167-000	588760	39
119	Ribbon Cable Optiview Panel to CM-2	031-01799-000	743835	39
120	Wiring, CM-2 Harn Mod G Ctrl Pnl NEMA 1	571-06765-261	1201332	39



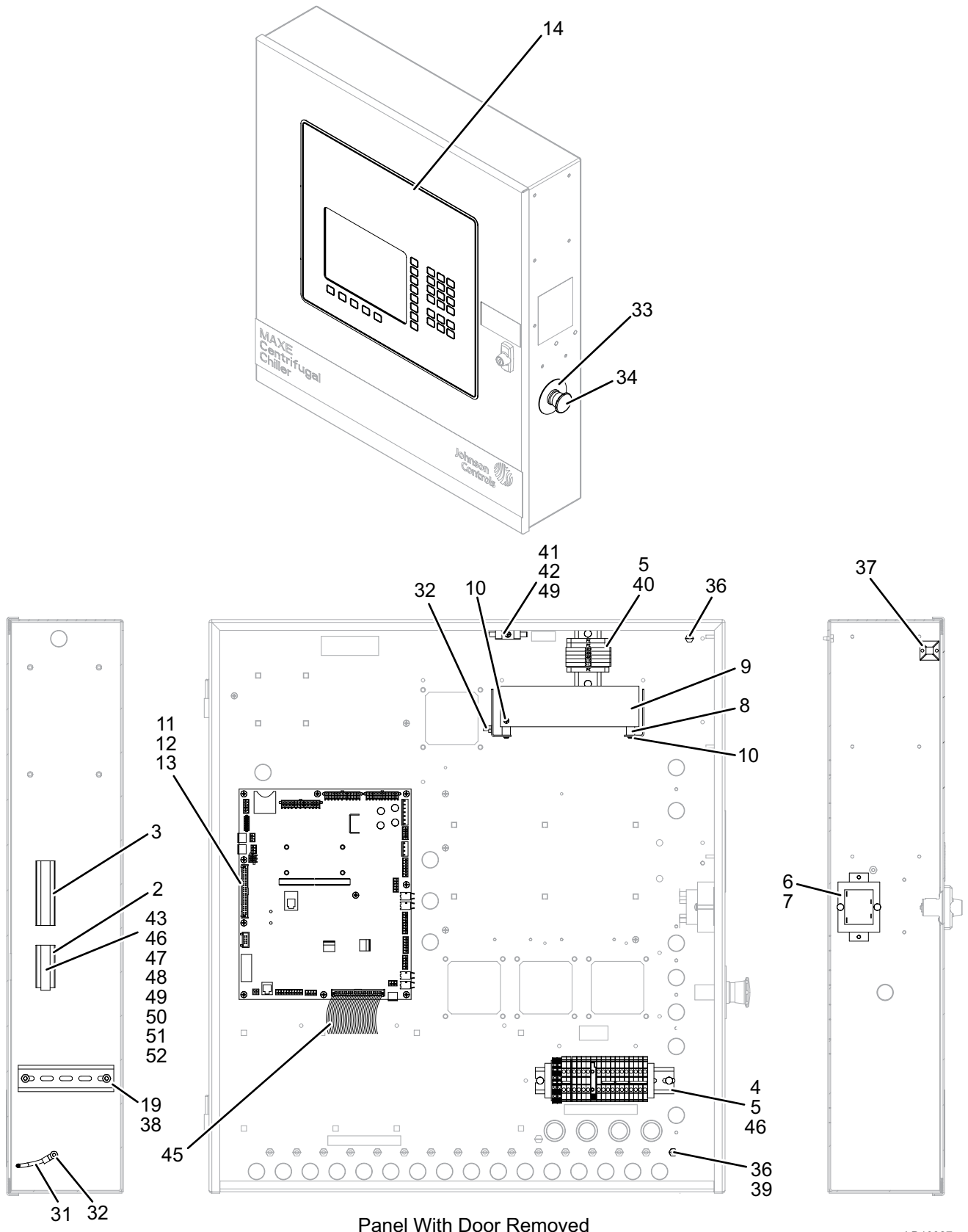
LD19829

FIGURE 39 - CONTROL PANEL



LD19828

FIGURE 40 - CONTROL PANEL

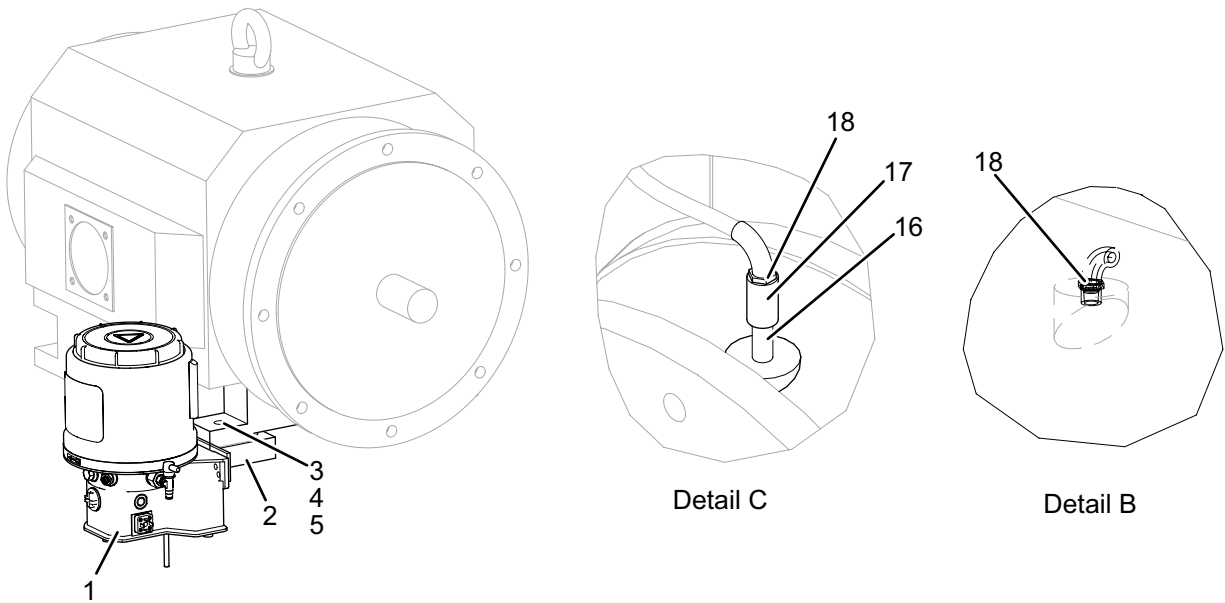
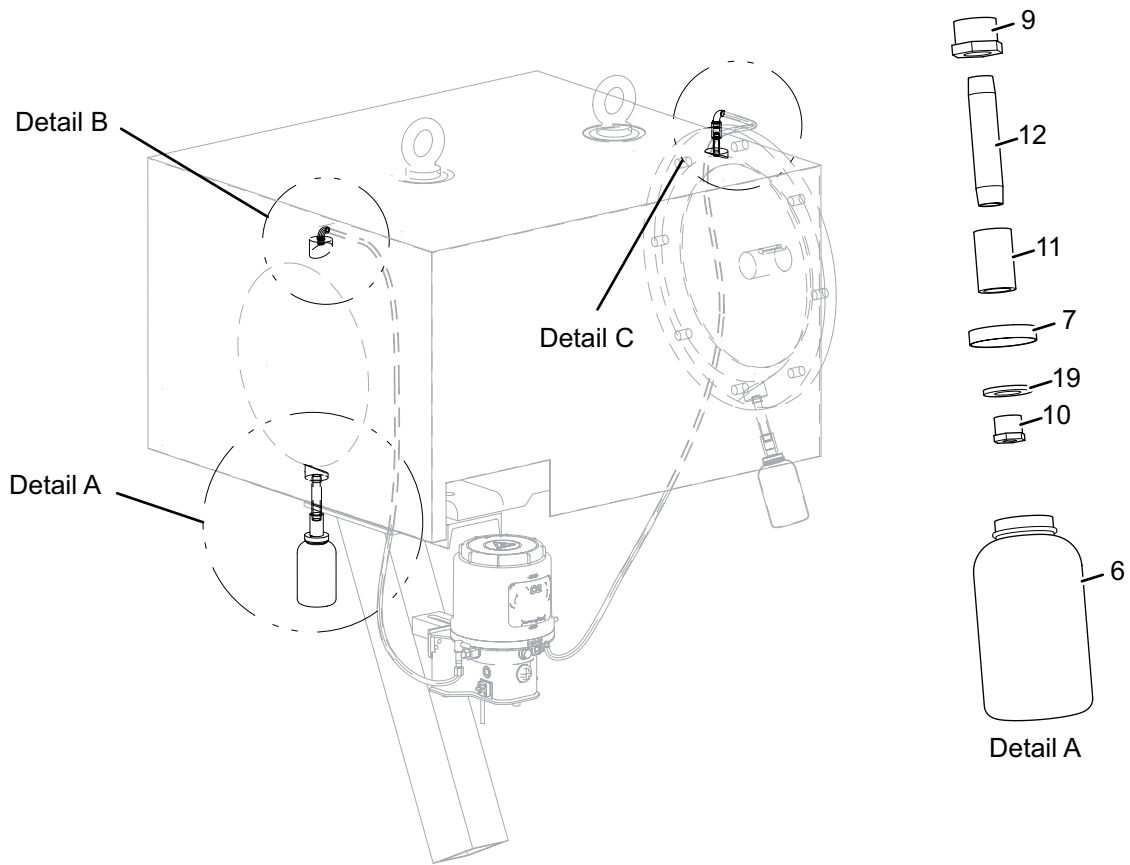


LD19827

FIGURE 41 - CONTROL PANEL

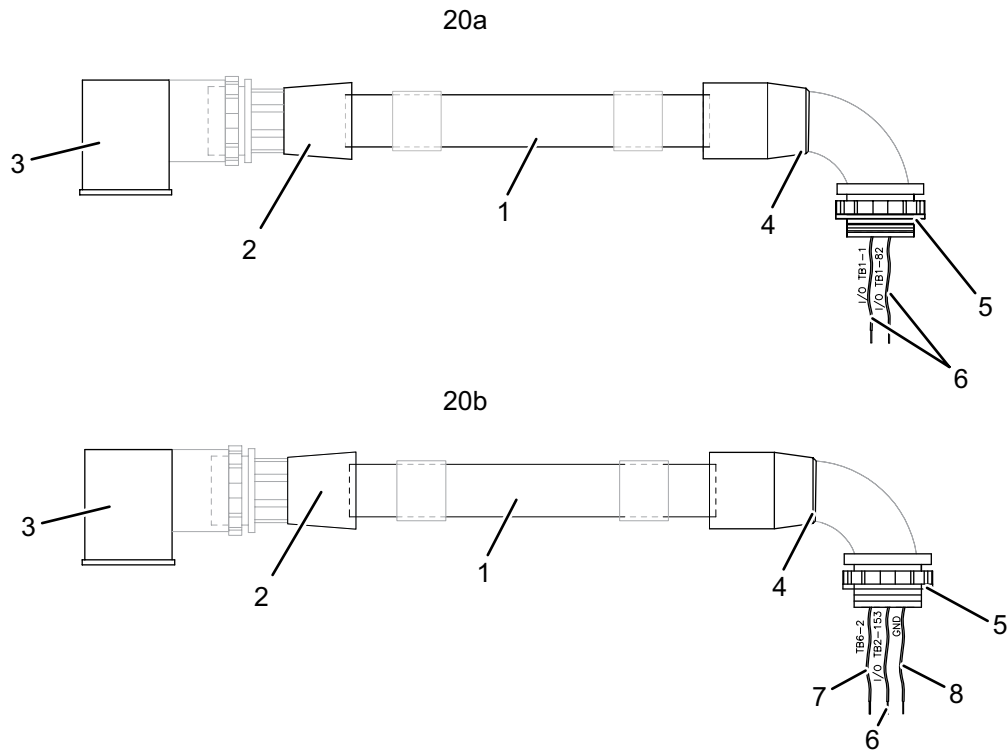
TABLE 28 - AUTOGREASER

ITEM	DESCRIPTION	YORK P/N	SAP	QUANTITY	FIGURE
1	P203 Auto Greaser	026-47498-000	1072293	1	42
2	Bracket Mounting Autogreaser	392-19259-000	1072296	1	42
3	Bolt Hex Hvy 3/4-10 X3-1/4Grb7	021-15674-000	538679	1	42
4	Nut Hex Hvy 3/4 -10Unc-2B	021-12656-000	538680	1	42
5	Washer Plain Id=0.813 Inch Znstl T=0.148	021-01295-000	588503	1	42
6	Bottle, High Density	028-10579-000	538682	2	42
7	Cap Metal	066-89574-000	589909	2	42
9	Bush Pipe 1 - 11-1/2 Npte	023-04044-000	538685	2	42
10	Bush Pipe 1/2 -14 Npte X 1/8	023-05879-000	538686	2	42
11	Cplg Pipe 1/2 Npti 300#:	023-11323-000	146359	2	42
12	Nipple Pipe 1/2 Sch 40 X	023-14611-000	116270	2	42
16	Nipple Pipe 1/4 Sch 40 X	023-13906-000	538692	1	42
17	Cplg Pipe 1/4 Npti 300#:	023-12113-000	538693	1	42
18	Bush Pipe 1/4 - 18 Npte X	023-05320-000	538694	2	42
19	Washer Plain 13/16 Id X 1-1/2	021-05157-000	148441	2	42
20	Kit Wiring Autogreaser	392-24883-000	1183406	1	*
20a	Harness Wiring Ykg Autogreaser Low Level	392-23675-000	1183405	1	43
1	Conduit Flexible Id=3/8In Id=.445In Ps	025-31302-001	738588	240in	43
2	Connr, Conduit Flex Straight 3/8" Adapta	025-31309-001	265735	1	43
3	Connector Iso 4400/Din	025-37876-000	117987	1	43
4	Connr, Conduit Flex Angle	025-31315-001	144730	1	43
5	Ring Seal O 1/2 Elec Cnd	025-09613-000	117034	1	43
6	Wire Elec 18 Awg Black	025-08913-000	588753	508in	43
20b	Harness Wiring Autogreaser Power	392-23674-000	1183404	1	43
1	Conduit Flexible Id=3/8In Id=.445In Ps	025-31302-001	738588	240in	43
2	Connr, Conduit Flex Straight 3/8" Adapta	025-31309-001	265735	1	43
3	Connector Iso 4400/Din	025-37876-000	117987	1	43
4	Connr, Conduit Flex Angle	025-31315-001	144730	1	43
5	Ring Seal O 1/2 Elec Cnd	025-09613-000	117034	1	43
6	Wire Elec 18 Awg Black	025-08913-000	588753	254in	43
7	Wire Elec 18 Awg White	025-12729-000	144788	254in	43
8	Wire Elec 18 Awg Grn/Yel Per	025-34025-000	738981	254in	43



LD19825

FIGURE 42 - AUTOGREASER



LD19826

FIGURE 43 - AUTOGREASER

MULTIPLE UNIT SEQUENCE KIT CONTROLS

TABLE 29 - MULTIPLE UNIT SEQUENCE KIT (Two Unit)

TWO UNIT			
ITEM	DESCRIPTION	PART NUMBER	QUANTITY
1 ¹	Controller, RWT	025-15154-000	1
3	Relay, Time Delay	024-30497-000	1
4	Switch, Toggle	024-14057-000	1

¹ Not Shown. Remote Mounted.

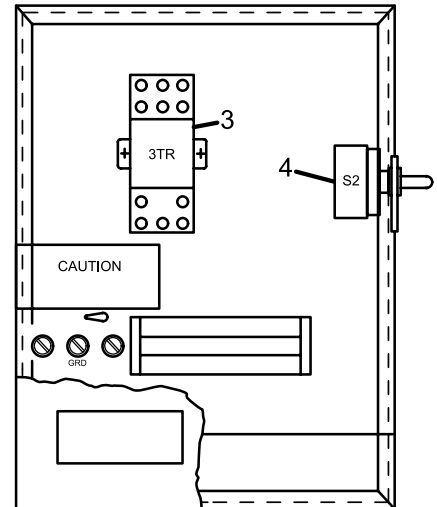


TABLE 30 - MULTIPLE UNIT SEQUENCE KIT (Three Unit)

THREE UNIT			
ITEM	DESCRIPTION	PART NUMBER	QUANTITY
2	Control, Temp 2 Stage	025-10215-000	1
3	Relay, TD 115V	024-30497-000	2
4	Relay, Control 120V Coil	024-14519-000	2
5	Relay Assy.	375-21706-000	1
8	Switch, Toggle 3 Position	024-17026-000	1
18	Switch, Toggle	024-11736-000	1

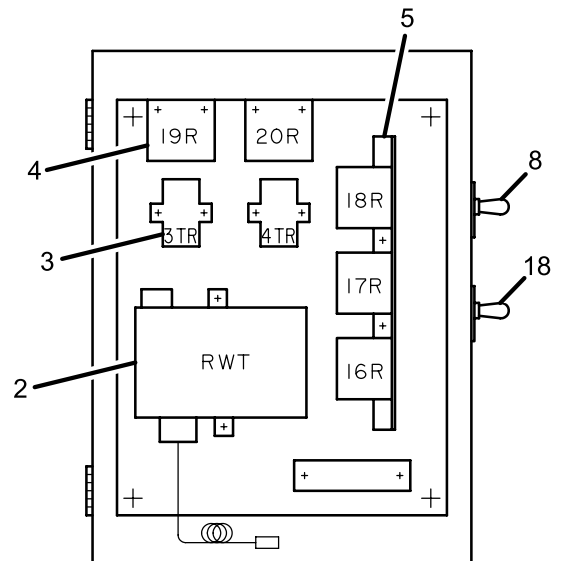
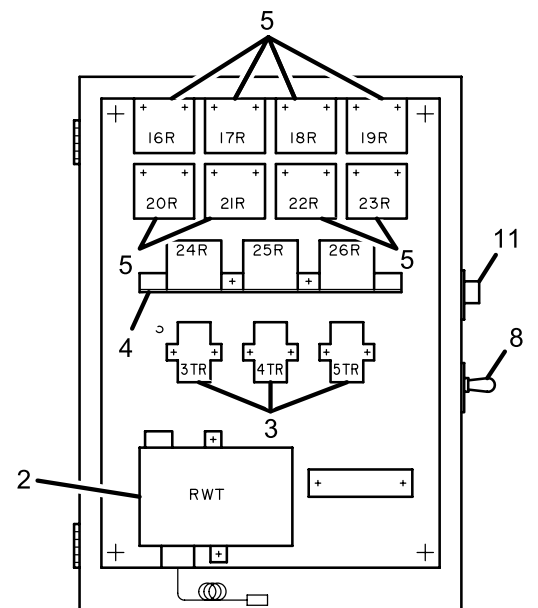


TABLE 31 - MULTIPLE UNIT SEQUENCE KIT (Four Unit)

FOUR UNIT			
ITEM	DESCRIPTION	PART NUMBER	QUANTITY
2	Control, Temp. 3-Stage	025-10214-000	1
3	Relay, TD 115V	024-30497-000	3
4	Relay Assy.	375-21706-000	1
5	Relay, Control 120V Coil	024-14519-000	8
8	Switch, Toggle	024-11736-000	1
11	Switch, Rotary 4 Ckt 15A	024-20494-000	1



MISCELLANEOUS AND ACCESSORIES

TABLE 32 - CONSUMABLES

DESCRIPTION	PART NUMBER	SAP
Ins Therm 3/4 Id X 3/4	010-03801-000	728793
Tape Elec Ins 3/4 Wide	025-15093-000	686102
Adh Scotch Grip 1357	013-02297-000	616579
Ins Therm 3/4" Thick Class 2	010-04198-000	686474
Ins Therm Rd 2.500 Id .75 Wall	010-06587-000	686096
Ins Therm 2-7/8 Id X 3/4 Wall	010-03802-000	686097
Ins Thermal 1-3/8 Id X	010-05144-000	686098
Ins Therm 3/8 Id X 3/4	010-03799-000	686100
Tape Ins Thermal 50 Wide 3 Thk	010-07200-000	728852
Ins Therm 2-1/2 Id X 3/4 Wall	010-05999-000	686103
Solder 1/16 Dia 1 Lb	044-02038-000	745735
Insr Elec	025-10371-000	737257
Adhesive Anaerobic 0.050L Blue	013-03845-000	1086187
Comp Heat Conductive 4 Oz	013-00898-000	616572

TABLE 33 - FLOW SWITCH CONTROL

DESCRIPTION	PART NUMBER
150 DWP	024-26116-000
300 DWP	024-12144-000

TABLE 34 - DIFFERENTIAL PRESSURE CONTROL

DESCRIPTION	PART NUMBER
Control, Differential Pressure	025-30919-000

TABLE 35 - COMMON PIPING PARTS

DESCRIPTION	STEEL TUBING	STAINLESS STEEL TUBING	NUT	STEEL SLEEVE	STAINLESS STEEL SLEEVE
3/8"	003-00969-000	003-02407-000	023-18977-000	023-20760-000	023-17534-000
1/2"	003-00243-000		023-17541-000	023-19089-000	023-17542-000
3/4"	003-03518-000	003-02487-017	023-18286-000	023-18914-000	023-17536-000
1"	003-03515-000		023-18287-000	023-18911-000	023-17538-000

MISCELLANEOUS AND ACCESSORIES (CONT'D)

TABLE 36 - ELECTRICAL CONNECTORS

DESCRIPTION	YORK P/N
Flow Sensor, (Style H)	025-41573-000
Hot Gas Bypass Valve Actuator- DIN Connector	025-37877-000
Oil Return Solenoid- DIN Connector	025-37876-000
Thrust Bearing Proximity Probe- DIN Connector	025-37805-000
Compressor Stall Sensor- DIN Connector	025-37805-000
Liquid Refrigerant level Sensor- DIN Connector	025-37805-000
PRV Actuator Connector	025-38172-000
VGD Actuator Connector	025-38172-000

TABLE 37 - RECOMMENDED SPARES

ITEM	DESCRIPTION	PART NUMBER
1	Preventive Maintenance Kit (YK G Unit)	366-94952-016
	Element Oil Filter	026-32831-000
	O-Ring Neo1 03.484ld .139Thk M (Oil Filter)	028-14404-000
	Filter Drier 3/8 Orfs	026-37563-000
	O-Ring Neo1 00.364ld .070Thk M (Filter Drier)	028-12961-012
2	Type K Oil (R-134a Units), 5 Gallons	011-00533-000
	Type K Oil (R-134a Units), 1 Gallon	011-01202-000
	Type K Oil (R-134a Units), 6 1-Gallons	011-00947-000

NOTE: Reference SI0135 for more information on recommended oil viscosities for R-134a single stage compressors.



P.O. Box 1592, York, Pennsylvania USA 17405-1592
Copyright © by Johnson Controls 2015
Form 160.76-RP1 (1015)
Issue Date: October 20, 2015
NEW RELEASE

Tele. 800-861-1001
www.johnsoncontrols.com

Subject to change without notice. Printed in USA
ALL RIGHTS RESERVED