



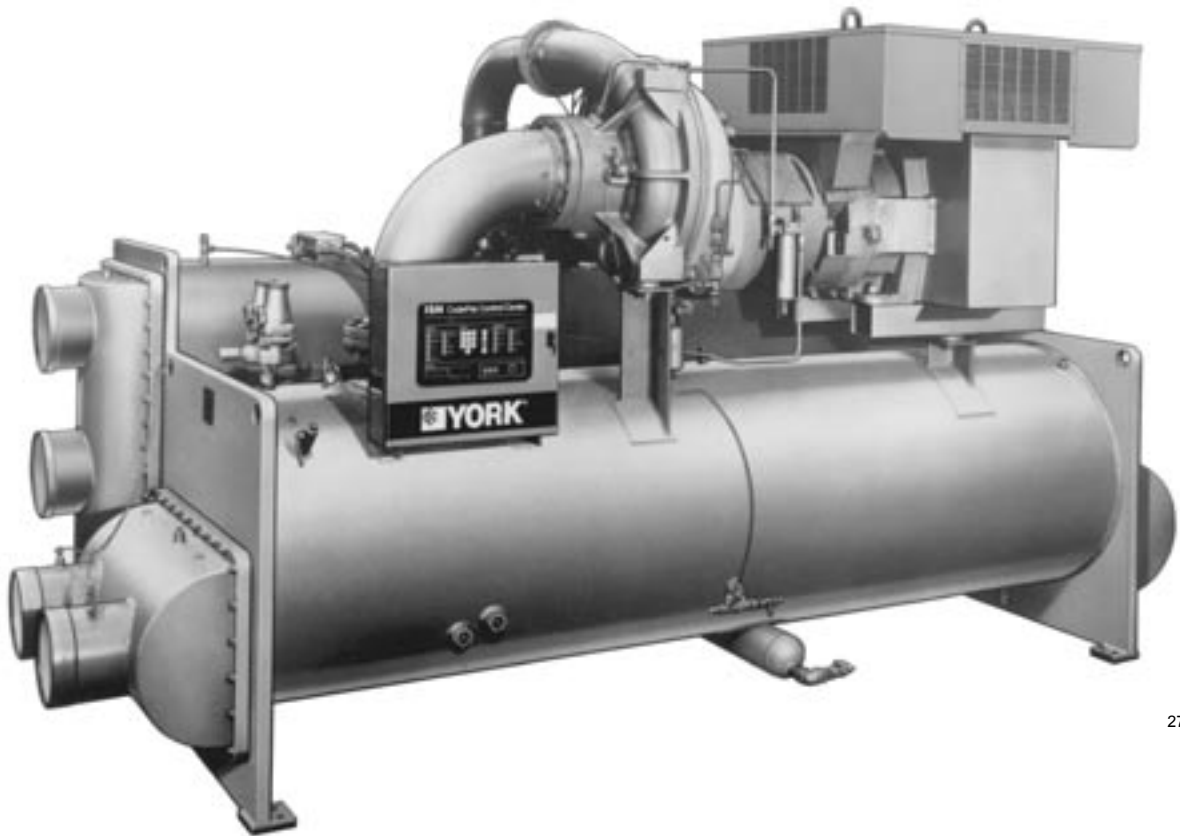
**CENTRIFUGAL LIQUID CHILLERS**

**RENEWAL PARTS**

Supersedes: 160.49-RP1(495)

Form 160.49-RP1 (1102)

**UNIT COMPONENTS  
MODEL YK (STYLES A & B) WITH  
MICROCOMPUTER CONTROL CENTER PART #371-01200-004  
FOR ELECTRO-MECHANICAL STARTER & SOLID STATE STARTER  
R-22 & R134A COOLING ONLY**

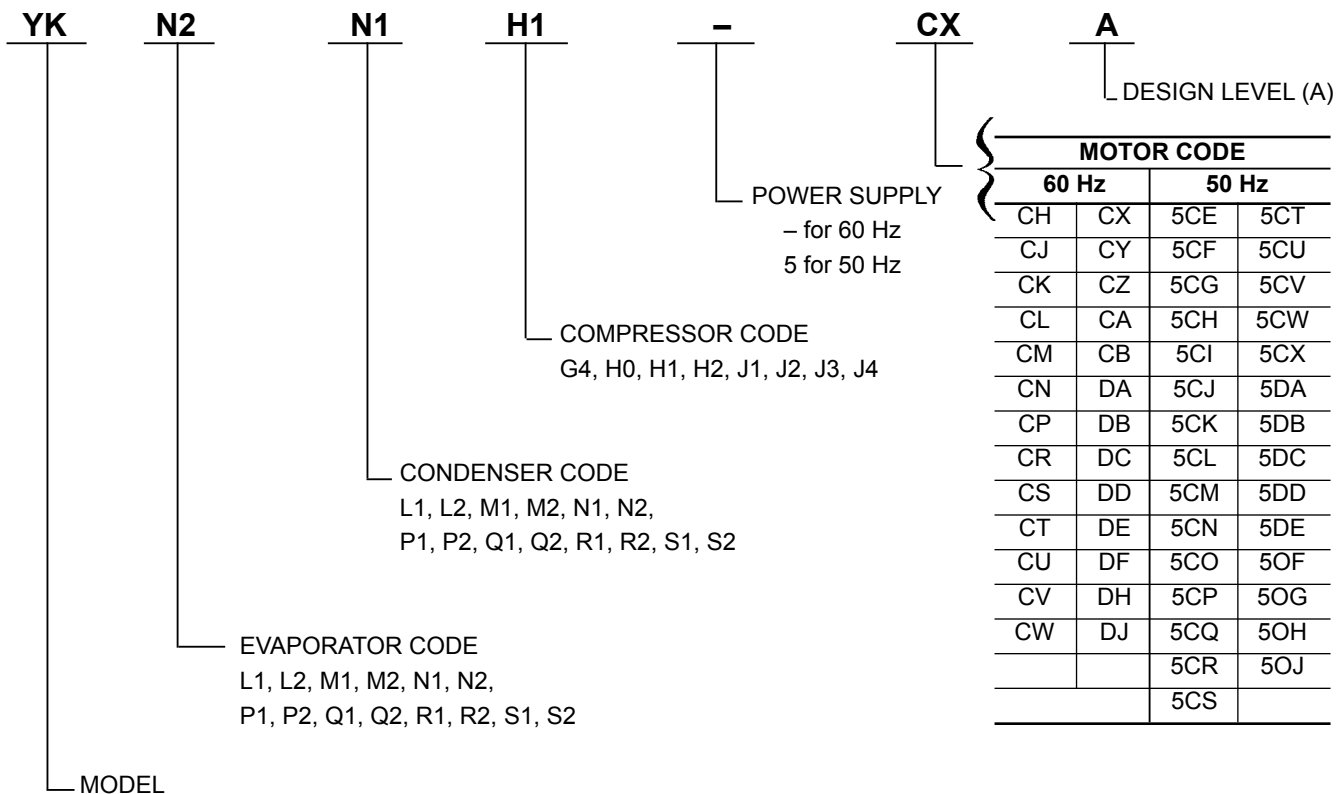


27073A

# TABLE OF CONTENTS

	<u>PAGE</u>
NOMENCLATURE.....	2
UNIT COMPONENTS.....	3
UNIT SHELLS.....	7
EVAPORATOR TUBES .....	8
CONDENSER TUBES.....	8
ORIFICE PLATE .....	9
OIL PUMP STARTER OVERLOAD ELEMENTS.....	10
CURRENT TRANSFORMER KIT.....	10
TRANSFORMER ONLY .....	10
INLET CHILLED WATER STRAINER.....	11
NEOPRENE VIBRATION ISOLATORS .....	11
SPRING ISOLATORS.....	11
MISCELLANEOUS AND ACCESSORIES .....	12

## NOMENCLATURE



## UNIT COMPONENTS

ITEM NO.	DESCRIPTION	PART NO.	QUAN./ UNIT	REF. FIG
1	Oil Cooler	026-31694-000	1	5
2	Valve Solenoid	025-29152-000	2	1
3	Valve, Thermostat	022-08867-000	1	2
4	Valve, Ball - 3/4"	022-08738-000	1	2
5	Valve, Ball - 1"	022-06873-000	4	1
6	Valve, Ball - 1 1/2"	022-08873-000	1	5
7	Valve, Stop, Angle - 1/4"	022-05089-000	2	1
8	Valve, Stop, Angle - 1/4"	022-03836-000	3	1
9	Valve, Stop, Angle - 3/8"	022-01582-000	1	1
10	Valve, Stop Angle - 1/4"	022-04158-000	1	4
11	Dehydrator, Filter Drier	026-13508-000	2	4
12	Strainer - 1/4" Male Flare	029-16764-000	1	1
13	Strainer - 7/8" Female	029-20940-000	1	2
14	Eductor, Oil Return	366-78307-000	1	1
18	Valve, Relief	022-07893-044	2	1
19	Valve, Stop, Dual Relief	022-07892-003	1	1
20	Filter, Oil	026-31684-000	1	1
20A	Filter Element	026-11225-000	2	1
21	Valve, Stop - 3/4"	022-03850-000	2	1
22	Gasket, 3 3/4" O.D. x 1 7/8" I.D.	028-12512-000	2	5
23	Eductor, Oil Return	364-18241-000	1	3
25	Starter, Oil Pump	024-19119-021	1	7
26	Control, H.P. Cutout	025-29165-000	1	7
30	Gasket - Oil Return Line	028-12504-000	2	6
31	Gasket - Orifice Plate N1 N1, N2 N2, P1 P1, P2 P2 Q1 Q1, Q2 Q2, R1 R1, R2 R2, S1 S1, S2 S2	028-12267-000 028-12273-000	2 2	6 6
32	Gasket - Discharge Connection G3, G4, H0 & H1 Compressor H2, J1 & J2 Compressor J3 & J4 Compressor	028-11007-001 028-11989-000 028-12565-000	2 2 2	6 6 6
33	Gasket - Suction/Evaporator G3, G4, H0, H1 & H2 Compressor J1 & J2 Compressor J3 & J4 Compressor	028-12268-000 028-12272-000 028-12563-000	1 1 1	6 6 6
34	Gasket - Compressor Suction G3, G4, G0, H1 & H2 Compressor J1 & J2 Compressor J3 & J4 Compressor	028-12265-000 028-12262-000 028-12564-000	1 1 1	6 6 6
35	Gasket - Refrigerant Line N1 N1, N2 N2, P1 P1, P2 P2 Q1 Q1, Q2 Q2, R1 R1, R2 R2, S1 S1, S2 S2	028-12509-000 028-11007-001	1 1	6 6
36	Sight Glass, Evaporator	026-18004-000	2	1

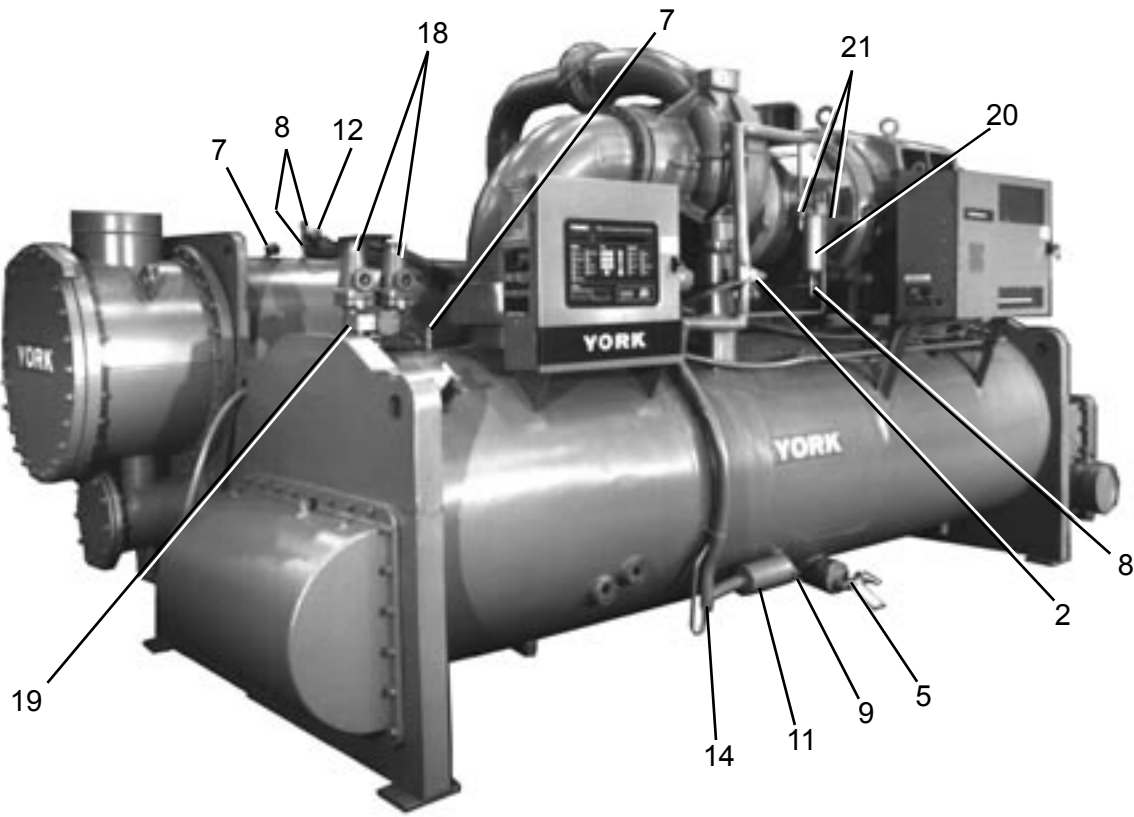


FIG 1 -

26158

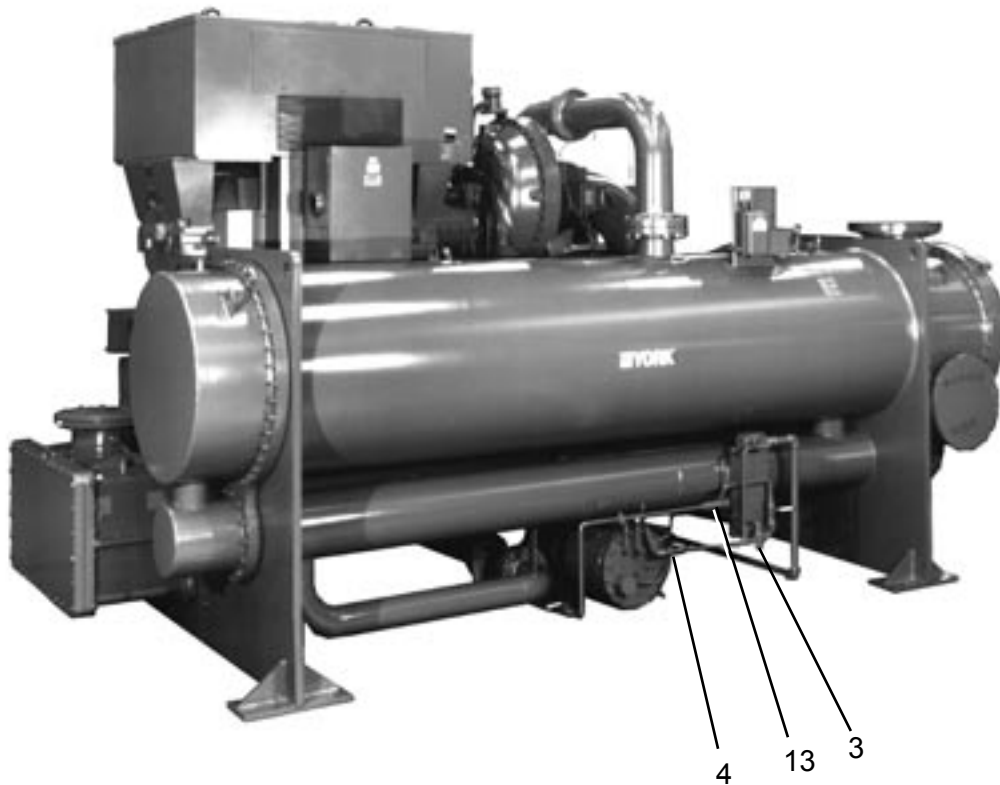


FIG 2 -

26293

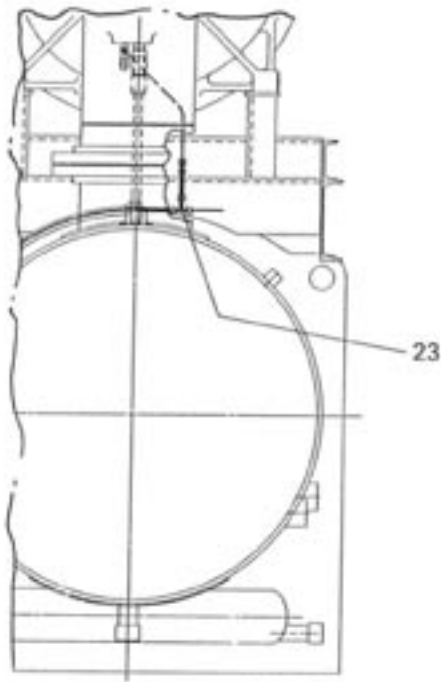


FIG 3 -

LD08580

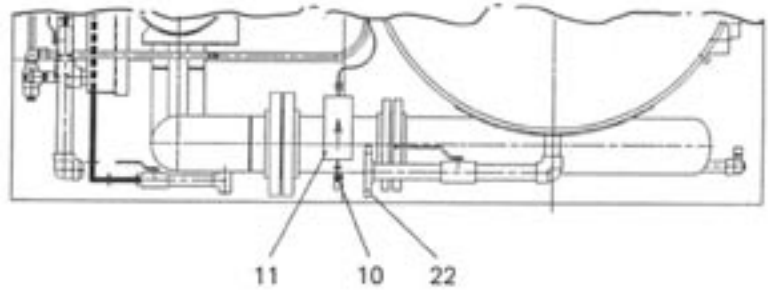


FIG 4 -

LD08581

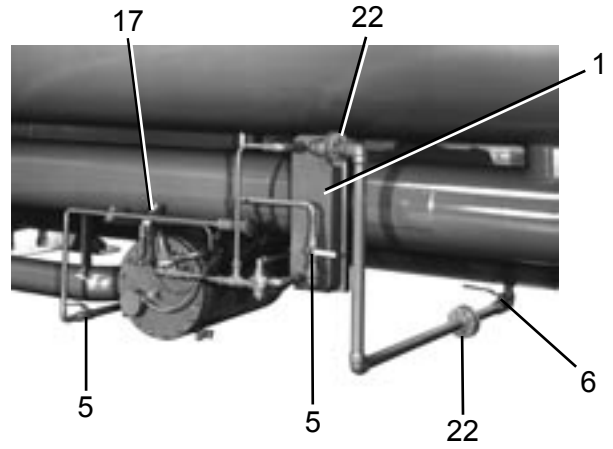


FIG 5 -

26297

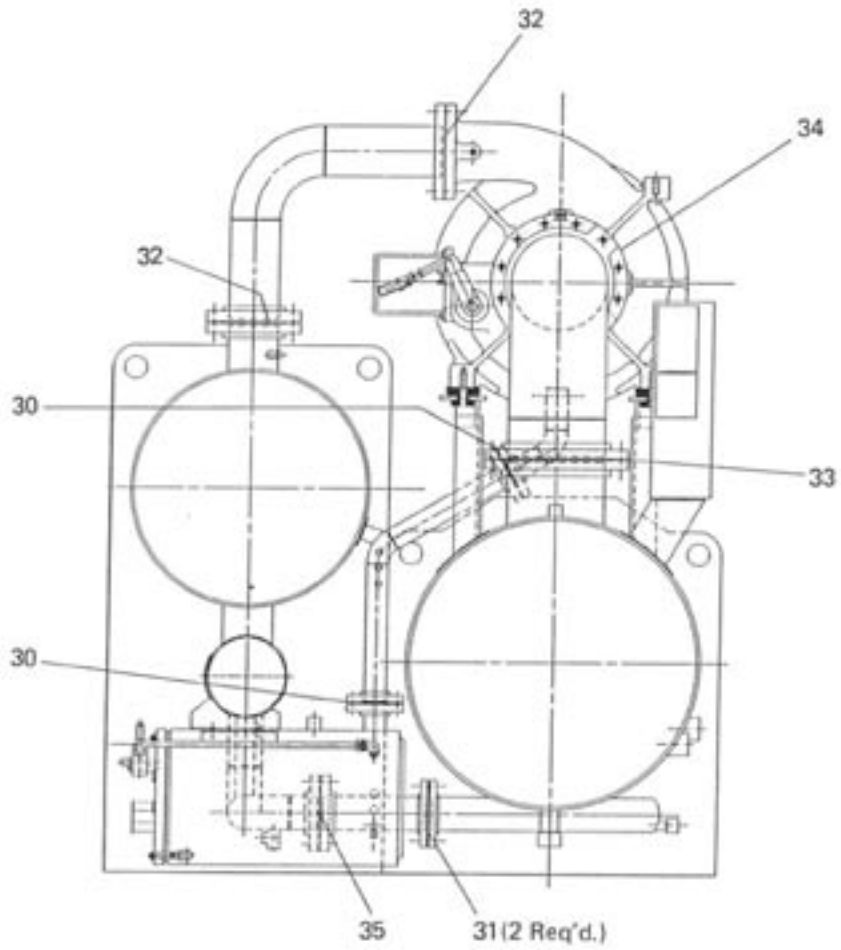


FIG 6 -

LD08582

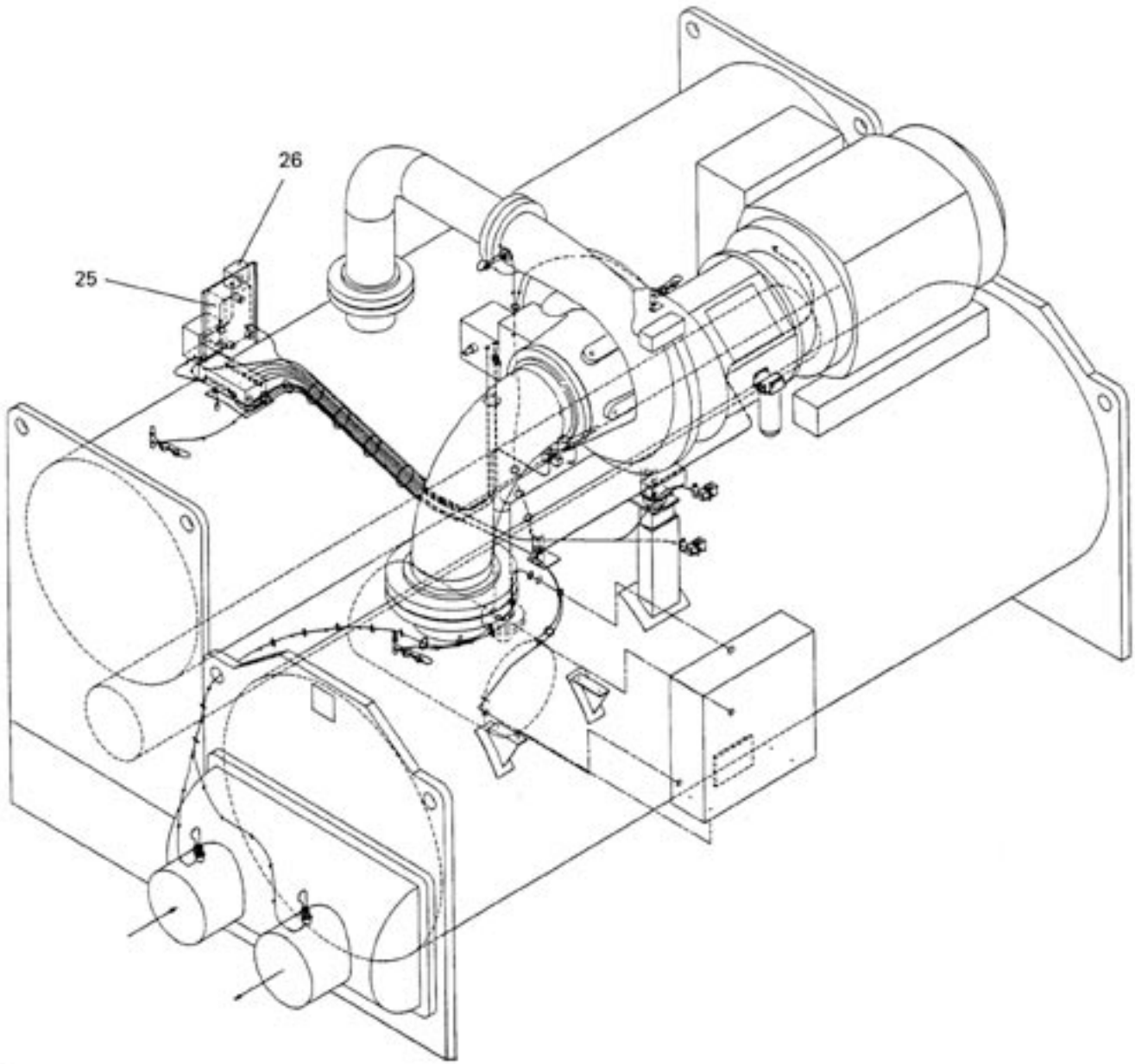


FIG 7 -

LD08583

## UNIT SHELLS

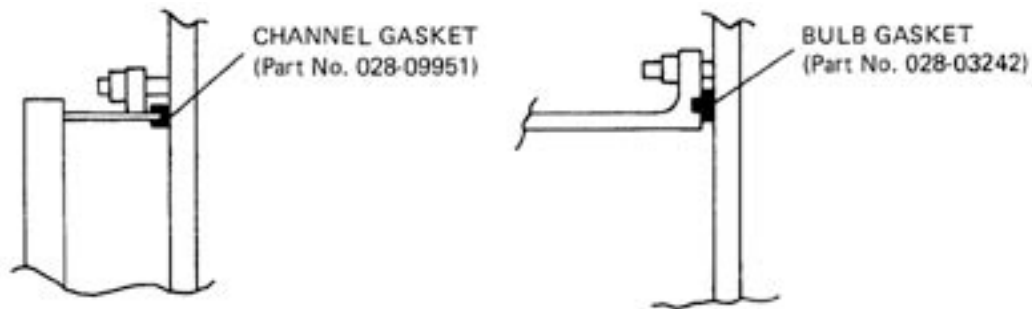


FIG 8 -

LD08584

### EVAPORATOR WITH STANDARD COMPACT WATER BOXES

EVAPORATOR CODE	1 PASS		2 PASS		3 PASS	
	GASKET PART NO.	FT. REQ'D.	GASKET PART NO.	FT. REQ'D.	GASKET PART NO.	FT. REQ'D.
L	028-03242-000	18	028-03242-000 028-09951-000	18 3 1/2	028-03242-000 028-09951-000	18 6
M	028-03242-000	18	028-03242-000 028-09951-000	18 3 1/2	028-03242-000 028-09951-000	18 6
N	028-03242-000	23	028-03242-000 028-09951-000	23 4	028-03242-000 028-09951-000	23 3 1/2
P	028-03242-000	23	028-03242-000 028-09951-000	23 4	028-03242-000 028-09951-000	23 4
Q	028-03242-000	24	028-03242-000 028-09951-000	24 4 1/2	028-03242-000 028-09951-000	24 4 1/2
R	028-03242-000	27	028-03242-000 028-09951-000	27 5 1/2	028-03242-000 028-09951-000	27 5
S	028-03242-000	29	028-03242-000 028-09951-000	29 5 1/2	028-03242-000 028-09951-000	29 5

### EVAPORATOR WITH MARINE WATER BOXES

EVAPORATOR CODE	1 PASS		2 PASS		3 PASS	
	GASKET PART NO.	FT. REQ'D.	GASKET PART NO.	FT. REQ'D.	GASKET PART NO.	FT. REQ'D.
L	028-03242-000	36	028-03242-000 028-09951-000	27 7	028-03242-000 028-09951-000	36 12
M	028-03242-000	36	028-03242-000 028-09951-000	27 7	028-03242-000 028-09951-000	36 12
N	028-03242-000	45	028-03242-000 028-09951-000	45 7 1/2	028-03242-000 028-09951-000	45 14
P	028-03242-000	45	028-03242-000 028-09951-000	45 7 1/2	028-03242-000 028-09951-000	45 14
Q	028-03242-000	48	028-03242-000 028-09951-000	48 8	028-03242-000 028-09951-000	48 17
R	028-03242-000	52	028-03242-000 028-09951-000	52 9	028-03242-000 028-09951-000	52 16
S	028-03242-000	61	028-03242-000 028-09951-000	61 10	028-03242-000 028-09951-000	61 17

## CONDENSER WITH STANDARD COMPACT WATER BOXES

COND. CODE	1 PASS		2 PASS	
	GASKET PART NO.	FT. REQ.	GASKET PART NO.	FT. REQ.
L	028-03242-000	19	028-03242-000	19
	028-09951-000	2	028-09951-000	2
M	028-03242-000	19	028-03242-000	21
	028-09951-000	2	028-09951-000	2
N	028-03242-000	23	028-03242-000	23
			028-09951-000	2 1/4
P	028-03242-000	25	028-03242-000	25
			028-09951-000	2 1/2
Q	028-03242-000	29	028-03242-000	29
			028-09951-000	3
R	028-03242-000	33	028-03242-000	29
			028-09951-000	3
S	028-03242-000	35	028-03242-000	35
			028-09951-000	4

## CONDENSER WITH MARINE WATER BOXES

COND. CODE	1 PASS		2 PASS	
	GASKET PART NO.	FT. REQ.	GASKET PART NO.	FT. REQ.
L	028-03242-000	38	028-03242-000	29
			028-09951-000	4
M	028-03242-000	42	028-03242-000	32
			028-09951-000	5
N	028-03242-000	43	028-03242-000	32
			028-09951-000	5
P	028-03242-000	47	028-03242-000	35
			028-09951-000	5
Q	028-03242-000	53	028-03242-000	40
			028-09951-000	6
R	028-03242-000	60	028-03242-000	44
			028-09951-000	7
S	028-03242-000	68	028-03242-000	51
			028-09951-000	8

## EVAPORATOR TUBES

EVAPORATOR CODE	TUBE PART NO.	NO. REQ'D
L1	007-07885-000	194
L2	007-07885-000	227
M1	007-07885-000	266
M2	007-07885-000	309
N1	007-07885-000	364
N2	007-07885-000	426
P1	007-07885-000	499
P2	007-07885-000	583
Q1	007-07885-000	683
Q2	007-07885-000	798
R1	007-07885-000	933
R2	007-07885-000	1092
S1	007-07885-000	1277
S2	007-07885-000	1492

## CONDENSER TUBES

CONDENSER CODE	TUBE PART NO.	NO. REQ'D
L1	007-08098-000	295
L2	007-08098-000	343
M1	007-08098-000	403
M2	007-08098-000	473
N1	007-08098-000	551
N2	007-08098-000	645
P1	007-08098-000	760
P2	007-08098-000	893
Q1	007-08098-000	1040
Q2	007-08098-000	1212
R1	007-08098-000	1424
R2	007-08098-000	1667
S1	007-08098-000	1955
S2	007-08098-000	2293

**ORIFICE PLATE**

CONDENSER CODE	ORIFICE PLATE CODE	PART NO.
L, M,N, & P	24	075-05383-024
	25	075-05383-025
	26	075-05383-026
	27	075-05383-027
	28	075-05383-028
	29	075-05383-029
	30	075-05383-030
	31	075-05383-031
	32	075-05383-032
	33	075-05383-033
	34	075-05383-034
	35	075-05383-035
	36	075-05383-036
	37	075-05383-037
	38	075-05383-038
	39	075-05383-039
	40	075-05383-040
	41	075-05383-041
	42	075-05383-042
	43	075-05383-043
	44	075-05383-044
	45	075-05383-045
	46	075-05383-046
	47	075-05383-047
	48	075-05383-048
	49	075-05383-049
	50	075-05383-050
	51	075-05383-051
	52	075-05383-052
	53	075-05383-053
	54	075-05383-054
	55	075-05383-055
	56	075-05383-056
	57	075-05383-057
	58	075-05383-058
	59	075-05383-059
	60	075-05383-060
	61	075-05383-061
	62	075-05383-062
	63	075-05383-063
	64	075-05383-064
	66	075-05383-066
	68	075-05383-068
	70	075-05383-070
	72	075-05383-072

CONDENSER CODE	ORIFICE PLATE CODE	PART NO.
Q, R, & S	24	075-05384-024
	25	075-05384-025
	26	075-05384-026
	27	075-05384-027
	28	075-05384-028
	29	075-05384-029
	30	075-05384-030
	31	075-05384-031
	32	075-05384-032
	33	075-05384-033
	34	075-05384-034
	35	075-05384-035
	36	075-05384-036
	37	075-05384-037
	38	075-05384-038
	39	075-05384-039
	40	075-05384-040
	41	075-05384-041
	42	075-05384-042
	43	075-05384-043
	44	075-05384-044
	45	075-05384-045
	46	075-05384-046
	47	075-05384-047
	48	075-05384-048
	49	075-05384-049
	50	075-05384-050
	51	075-05384-051
	52	075-05384-052
	53	075-05384-053
	54	075-05384-054
	55	075-05384-055
	56	075-05384-056
	57	075-05384-057
	58	075-05384-058
	59	075-05384-059
	60	075-05384-060
	61	075-05384-061
	62	075-05384-062
	63	075-05384-063
	64	075-05384-064
	66	075-05384-066
	68	075-05384-068
	70	075-05384-070
	72	075-05384-072

## OIL PUMP STARTER OVERLOAD ELEMENTS (QUAN. 3 PER UNIT)

OIL PUMP VOLTAGE	PART NO.
208, 220, 230, 240-3-60	024-25558-000
380-3-60	024-18679-000
346-3-50	024-18679-000
416, 480-3-60	024-19428-000
380, 400, 415-3-50	024-19428-000
440, 460-3-60	024-19424-000
550, 575, 600-3-60	024-19164-000
220-3-50	024-25557-000
440-3-50	024-24792-000

## KIT CURRENT TRANSFORMER FIELD INSTALLED ELECTRO-MECHANICAL STARTERS ONLY

MOTOR VOLTAGE	FLA	"CT" RATIO	PART NO.
208/600	65-111	200:1	375-17422-701
	112-224	350:1	375-17422-702
	225-829	700:1	375-17422-703
	830-1790	1400:1	375-17422-704
2300/4160	11-18	200:1	375-17422-705
	19-37	200:1	375-17422-705
	38-123	200:1	375-17422-705
	124-264	350:1	375-17422-706
	265-518	700:1	375-17422-707

## TRANSFORMER ONLY

"CT" RATIO	PART NO.
200:1	025-21173-001
350:1	025-21173-002
700:1	025-21173-003
1400:1	025-21173-004

## STRAINER, INLET CHILLED WATER (COMPACT HEADS AND MARINE WATER BOXES)

COOLER CODE	PASS	NOZZLE SIZE	PART NO.
L	1	10	029-12950-000
	2	8	029-12949-000
	3	6	029-12948-000
M	1	10	029-12950-000
	2	8	029-12949-000
	3	6	029-12948-000
N	1	12	029-12951-000
	2	10	029-12950-000
	3	8	029-12949-000
P	1	14	029-14727-000
	2	10	029-12950-000
	3	8	029-12949-000
Q	1	16	029-14811-000
	2	12	029-12951-000
	3	10	029-12950-000
R	1	18	029-20932-000
	2	14	029-14727-000
	3	12	029-12951-000
S	1	18	029-20932-000
	2	16	029-14811-000
	3	14	029-14727-000

## NEOPRENE VIBRATION ISOLATORS

SYSTEM OPERATING WEIGHT	ISOLATORS, NEOPRENE	PAD SIZE
16,366 to 28,835 LBS.	028-10518-000	4 1/2" x 6" (11 x 15 cm)
28,836 to 53,530 LBS.	028-10519-000	6" x 6" (15 x 15 cm)
53,531 to 100,464 LBS.	028-12501-000	6" x 8" (15 x 18 cm)

## SPRING ISOLATORS

SYSTEM OPERATING WEIGHT	ISOLATORS, SPRING	NO. OF SPRINGS
26,880 to 30,826 LBS.	029-21376-000	4
30,827 to 35,009 LBS.	029-20933-000	4
35,010 to 46,239 LBS.	029-20934-000	6
46,240 to 58,349 LBS.	029-20935-000	6
58,350 to 77,229 LBS.	029-20936-000	9
77,230 to 89,340 LBS.	029-21388-000	9

**MISCELLANEOUS AND ACCESSORIES****COMPOUND**

DESCRIPTION	PART NO.	QUANTITY
Compound, Heat Conductive (For Thermometer Wells)	013-00898-000	4 oz. Can

**TOUCH-UP PAINTS - SPRAY CANS**

DESCRIPTION	PART NO.
Caribbean Blue Enamel Black (Control Center)	013-01835-000 Purchase Locally

**TEMPERATURE RECORDER**

DESCRIPTION		PART NO.
HZ	NO. OF PENS	
60	1	025-09658-000
	2	025-09823-000
50	1	025-12650-000
	2	025-12330-000

**FLOW SWITCH CONTROL**

DESCRIPTION	PART NO.
150 DWP	024-26116-000
300 DWP	024-12144-000

**ACCESSORY CONTROL PARTS**

DESCRIPTION	PART NO.
Kit Condenser Water Sensors	375-01738-001
Card File (remote and Temperature Setpoint)	031-00827-000
Cards (Remote Current and Temperature Setpoint)	031-00814-000

