



A JOHNSON CONTROLS COMPANY

ES Service Information

File In/With: N/A
(Supersedes SI0142 (606))

SI0142	
New	2-09

Equipment
Affected: YK Chillers w/Proximity Probe

Two Piece Proximity Probe Now Available

GENERAL

A new two-piece proximity probe is now available which provides separate parts for the probe and the electronics module. The two-piece probe is backward compatible on all YK chillers and is being factory installed on new chillers. The new probe is **NOT** compatible on compressors using a proximity switch.

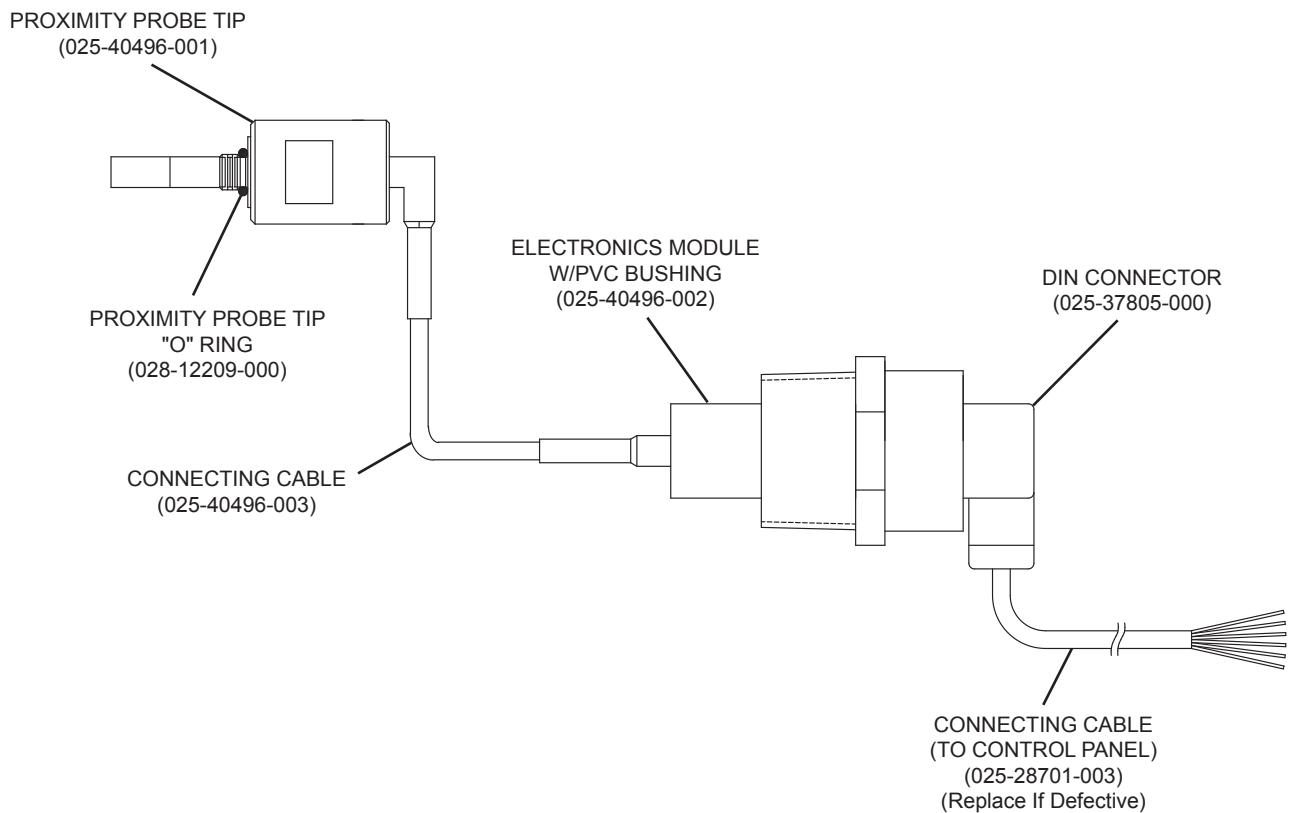
The new probe eliminates the need to evacuate the chiller refrigerant charge when replacing the electronics module portion of the proximity probe. The electronic module for the proximity probe will now be mounted into the "D" flange or motor adapter, or onto a bracket for units not utilizing a "D" flange or motor adapter.

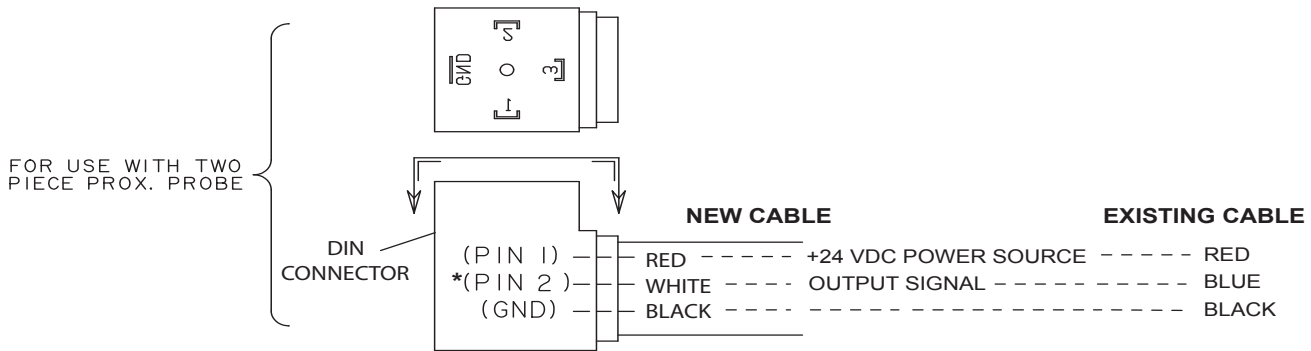
The part number for the new probe is 025-40496-000. That part number includes the probe tip, electronic module, a PVC bushing and the connection cable from the probe tip to electronic module.

If retrofitting from a single piece probe, all items shown below are needed.

A kit (364-51806-000) is available which includes:

- 025-40496-000 (probe package listed above)
- 025-37805-000 (DIN connector)
- 028-12209-000 (O-ring)
- 035-21458-000 (instruction drawing)





- * NOTES:
1. OPTIVIEW PANEL PIN 2 AT DIN CONNECTOR SENDS SIGNAL TO J8-15 ON MICROBOARD
 2. ONE LINE PANEL PIN 2 AT DIN CONNECTOR SENDS SIGNAL TO J17-15 ON MICROBOARD

DIN CONNECTOR WIRING - NOTE PIN 3 IS NOT USED

INSTALLATION

1. The electronic module to control panel cable should be replaced if an intermittent connection issue is suspected.
2. Installation torque values:
 - Probe to Compressor: 20 in/lb - use 7/8" Wrench
 - Electronic Module: 20 in/lb - use 2" Wrench
 - Interconnecting Cable Ends: 2 in/lb - use no tools
3. When installing the Interconnecting Cable, plug the cable connector into the mating connector on each component. Rotate the cable connector hex nut only. Do not attempt to install the interconnecting cable by holding the cable and rotating the probe or electronic module.
4. If replacing a probe with a Thermocouple to detect high speed drain temperature, the software version must be xxx.19 or higher.