



CENTRIFUGAL COMPRESSORS

RENEWAL PARTS

Supersedes: 160.73-RP4 (511)

Form 160.73-RP4 (317)

STYLE "F" AND LATER MODELS (SEE TABLES BELOW)

COMPRESSOR MODEL	COMPRESSOR CODE	VGD	COMPRESSOR PART NUMBERS
HF 416	Q3	NO	364 5155 201/202/203
		YES	364 51556 201/202/203
HF 432	Q4	NO	364 51555 204/205/206
		YES	364 51556 204/205/206
HF 460	Q5	NO	364 51557 201/202/203
		YES	364 51558 201/202/203
HF 491	Q6	NO	364 51557 204/205/206
		YES	364 51558 204/205/206
HF 52	Q7 (OLD)	NO	364 50757 201/202/203
HF 52	Q7 (NEW)	NO	364 51559 201/202/203
		YES	364 51560 201/202/203

Issue Date:
March 22, 2017



IMPORTANT!

READ BEFORE PROCEEDING!

GENERAL SAFETY GUIDELINES

This equipment is a relatively complicated apparatus. During installation, operation maintenance or service, individuals may be exposed to certain components or conditions including, but not limited to: refrigerants, materials under pressure, rotating components, and both high and low voltage. Each of these items has the potential, if misused or handled improperly, to cause bodily injury or death. It is the obligation and responsibility of operating/service personnel to identify and recognize these inherent hazards, protect themselves, and proceed safely in completing their tasks. Failure to comply with any of these requirements could result in serious damage to the equipment and the property in

which it is situated, as well as severe personal injury or death to themselves and people at the site.

This document is intended for use by owner-authorized operating/service personnel. It is expected that this individual possesses independent training that will enable them to perform their assigned tasks properly and safely. It is essential that, prior to performing any task on this equipment, this individual shall have read and understood this document and any referenced materials. This individual shall also be familiar with and comply with all applicable governmental standards and regulations pertaining to the task in question.

SAFETY SYMBOLS

The following symbols are used in this document to alert the reader to specific situations:



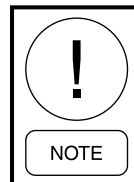
Indicates a possible hazardous situation which will result in death or serious injury if not proper care is not taken.



Identifies a hazard which could lead to damage to the machine, damage to other equipment and/or environmental pollution if proper care is not taken or instructions and are not followed.



Indicates a potentially hazardous situation which will result in possible injuries or damage to equipment if proper care is not taken.



Highlights additional information useful to the technician in completing the work being performed properly.



External wiring, unless specified as an optional connection in the manufacturer's product line, is not to be connected inside the OptiView cabinet. Devices such as relays, switches, transducers and controls and any external wiring must not be installed inside the micro panel. All wiring must be in accordance with Johnson Controls' published specifications and must be performed only by a qualified electrician. Johnson Controls will NOT be responsible for damage/problems resulting from improper connections to the controls or application of improper control signals. Failure to follow this warning will void the manufacturer's warranty and cause serious damage to property or personal injury.

CHANGEABILITY OF THIS DOCUMENT

In complying with Johnson Controls' policy for continuous product improvement, the information contained in this document is subject to change without notice. While Johnson Controls makes no commitment to update or provide current information automatically to the manual owner, that information, if applicable, can be obtained by contacting the nearest Johnson Controls Service office.


Operating/service personnel maintains the responsibility of the applicability of these documents to the competitive equipment the kit is installed on. If there is any question regarding the applicability of these documents, the technician should verify whether the equipment has been modified and if current literature is available with the owner of the equipment prior to performing any work on the chiller.

MISCELLANEOUS & ACCESSORIES

COMPOUNDS AND ABRASIVES	
Crocus Cloth	041 02729 000
Garnet Paper 180 grit	041 10057 000
Molykote (2 Oz. Can)	364 21508 000
Removable Thread Sealer	013 01678 000
Permanent Thread Locker	013 01671 000
Refrigerant Pipe Sealer	013 02894 000
Primer for Thread Sealers	013 01753 000
Magic Bond Epoxy Stick	044 03420 000
P.O.E. Grease	044 03199 000
Caribbean Blue Enamel	013 01835 000
Gasket Eliminator Sealer	013 02827 000
Valve Stem Lub (2 Oz. Can)	360 00125 000

COMPRESSOR TOOL KITS		
MODEL	COMPRESSOR NUMBER	KIT NUMBER
Q3	364 51555 XXX	364 51881 000
Q3 VGD	364 51556 XXX	364 51882 000
Q4	364 51555 XXX	364 51881 000
Q4 VGD	364 51556 XXX	364 51882 000
Q5	364 51557 XXX	364 51881 000
Q5 VGD	364 51558 XXX	364 51882 000
Q6	364 51557 XXX	364 51881 000
Q6 VGD	364 51558 XXX	364 51882 000
Q7 (OLD)	364 50757 XXX	364K50048 000
Q7 (NEW)	364 51559 XXX	364 51881 000
Q7 VGD	364 51560 XXX	364 51882 000

COMPRESSOR DATA PLATE




COMPRESSOR MODEL SPEED CODE

SERIAL NO.

YORK INTERNATIONAL CORPORATION
 YORK, PA. 17405
 029-21398B REV.

OLD DATA PLATE



COMPRESSOR MODEL PART NUMBER REV

SERIAL NO. SPEED CODE

JOHNSON CONTROLS INCORPORATED
 MILWAUKEE, WI 53209
 029-21398B REV. A

NEW DATA PLATE

LD12384

TABLE OF CONTENTS

Q3 - Q6 WITHOUT VGD	6
DEVICE PRE-ROTATION	14
Q3 - Q6 WITH VGD	16
DEVICE PRE-ROTATION	27
VGD.....	28
Q7 WITHOUT VGD (OLD)	
Q7 WITH VGD (HF52)	32
DEVICE PRE-ROTATION	40
Q7 WITHOUT VGD (NEW)	
DEVICE PRE-ROTATION.....	
Q7 WITH VGD (NEW)	
DEVICE PRE-ROTATION.....	
VGD.....	
OIL PUMP HOUSING	42
OIL RETURN LINE	44
COMPRESSOR PIPING	45
GEAR CODES	47

Q3 - Q6 COMPRESSOR

TABLE 1 - WITHOUT VGD

ITEM	DESCRIPTION	PART NUMBER	QUANTITY
1	Impeller, 4.16 Eye Hard Coat Q3	364 51661 001	1
1	Impeller, 4.32 Eye Hard Coat Q4	364 51596 001	1
1	Impeller, 4.6 Eye Hard Coat Q5	364 51598 001	1
1	Impeller, 4.91 Eye Hard Coat Q6	364 51600 001	1
2	Collar, Impeller Clamp Q3-Q4	064 51423 000	1
2	Collar, Impeller Clamp Q5-Q6	064 51699 000	1
3	Screw, Special	064 50052 000	1
4*	Bearing, H.S. Front HF	064 50065 000	1
5*	Bearing, H.S. Rear HF	064 50064 000	1
6†	Seal, O-Ring 2 ID X 2-3/16 OD	028 14419 000	3
7	Retainer Bearing S Stage Turbo	064 46886 000	2
9*	Bearing, H.S. Forward Thrust HF	029 22936 000	1
11*	Collar, H.S. Thrust HF	064 49636 001	1
12*	Bearing H.S. Reverse Thrust HF	029 22937 000	1
13	Orifice H.S. Oil Feed HF	064 49650 000	1
14	Plug, Pipe, Flush Type Hex	023 05366 000	2
15†	Seal, O-Ring 5/16 ID X	028 12513 000	2
16†	Seal, O-Ring 3-1/2 ID X 3-3/4	028 14404 000	1
18*	Bearing L.S. Front HF	064 50085 000	1
19*	Pin, Slot Spg 3/16 X 1/2	029 04138 000	1
20*	Bearing L.S. Rear HF	064 50084 000	1
21†	Seal, O-Ring 3-1/4 ID X 3-7/16	028 14420 000	2
22	Bearing, L.S. Thrust HF	029 22935 000	1
23†	Seal, O-Ring 5-1/4 ID X 5-7/16	028 14403 000	1
24	Collar, L.S. Thrust HF	064 49637 000	1
26	Seal, Double Shaft HF	029 22938 000	1
27†	Seal, O-Ring 4-3/8 ID X	028 13111 000	1
29	Ring, Eye Seal Q3	064 51575 000	1
29	Ring, Eye Seal Q4	064 51679 000	1
29	Ring, Eye Seal Q5	064 51678 000	1
29	Ring, Eye Seal Q6	064 51677 000	1
30	Washer, Spring Eye Seal Q3 / Q4	064 51591 000	1
30	Washer, Spring Eye Seal Q5 - Q6	064 50388 000	1
31	Retainer, Eye Seal Q3 / Q4	064 51563 000	1
31	Retainer, Eye Seal Q5 - Q6	064 50387 000	1
33	Ring, Balance Piston Seal Q3 / Q4	064 51573 000	1
33	Ring, Balance Piston Seal Q5 - Q6	064 50748 000	1
34	Washer, Spring HF52 Balance Piston	064 50749 000	1
35	Retainer, Balance Piston Seal Washer HF52	064 50747 000	1
36	Slinger, Oil Q3 - Q6	064 51585 000	1
37	Plate, Slinger Mtg Q3 - Q6	064 51586 000	1

* Included in Bearing Kit † Included in O-Ring Kit

Q3 - Q6 COMPRESSOR (CONT'D)

TABLE 1 - WITHOUT VGD (CONT'D)

ITEM	DESCRIPTION	PART NUMBER	QUANTITY
39†	Seal, O-Ring 1-1/8 ID X 1/8	028 12200 000	4
40	Orifice, Pipe Plug Yk Compr	064 51852 000	1
41	Valve, Check Oil 1/8 NPTE	022 04444 000	1
42	Plug, Pipe 1/4 Hex Socket	023 01973 000	2
43	Shield, HF	064 49638 000	2
46†	Seal, O-Ring 6 ID X 6-1/4 OD	028 14405 000	1
47	Connr, Instm 3/8 Tube X	023 12229 000	4
48	Tube, Oil Drain HD 46-61	064 49154 000	1
49	Tube, Oil Return HF	064 49620 000	1
50	Clamp, Tube 3/8 OD	023 05284 000	1
51	Tube, Oil Feed Internal HF	064 49621 000	1
54	Pin, Dowel Tapped 3/8 Dia	029 18459 000	3
55†	Seal, O-Ring 22 ID X 22-1/2 OD	028 14406 000	1
57†	Seal, O-Ring 20 ID X 20-3/8 OD	028 14413 000	1
58†	Seal, O-Ring 11.484 ID X Q3 / Q4	028 13977 000	1
58†	Seal, O-Ring 13 ID X 13.25 Q5 / Q6	028 14412 000	1
60†	Seal, O-Ring 19 ID X 19-1/2 OD	028 14414 000	1
60†	Seal, O-Ring 22.94 ID X .275	028 15438 000	1
62	Elbow, Flare Hydraulic 3/8 OD	023 18920 000	2
63†	Seal, O-Ring Neoprene 0.468 ID 0.078 Thk	028 12961 003	10
64	Nut, Flare Hydraulic 3/8 OD	023 09673 000	2
65	Sleeve, Flare Hydraulic 3/8 OD	023 10001 000	2
66	Tube, Oil Feed External HF	064 49619 000	1
67	Elbow, Flare Hydraulic 1/4 OD	023 20242 000	1
68	Nut, Flare Hydraulic 1/4 OD	023 09670 000	1
69	Sleeve, Flare Hydraulic 1/4 OD	023 10000 000	1
70	Probe, Pressure Switch	025 34535 001	1
71†	Seal, O-Ring .301 ID X .064	028 12209 000	2
74	Plug, Hex HD 9/16	023 18962 000	6
75	Plug, Hex HD	023 20217 000	1
76	Plug, Hex HD 3/4	023 18280 000	2
77†	Seal, O-Ring Neoprene 0.644 ID 0.087 Thk	028 12961 004	2
78	Plug, Hex HD 7/16	023 18279 000	1
79†	Seal, O-Ring .351 ID X	028 13832 000	1
80	Valve, Stop Ang Vertical	022 09578 000	1
81	Plug, Hex HD 1-1/16	023 18295 000	1
82†	Seal, O-Ring Neoprene 0.924 ID 0.116 Thk	028 12961 006	1
83	Plug, Hex HD 1-5/16 Q3 / Q4	023 18282 000	2
83	Plug, Hex HD 1-5/16 Q5 - Q6	023 18282 000	3
84†	Seal, O-Ring 1.17 ID Q3 / Q4	028 12961 008	2
84†	Seal, O-Ring 1.17 ID Q5 - Q6	028 12961 008	3

* Included in Bearing Kit † Included in O-Ring Kit

Q3 - Q6 COMPRESSOR (CONT'D)

TABLE 1 - WITHOUT VGD (CONT'D)

ITEM	DESCRIPTION	PART NUMBER	QUANTITY
86	Fillpiece Prerot Device	064 09288 000	2
89	Rod, Adjustable PRV & VGD Q3 / Q4	364 51753 458	1
89A	Rod, Adjustable	064 51592 000	1
89B	Bearing, Rod End with SST Insert	029 08343 000	2
89C	Nut, Hex 3/8-24 UNF-2b	021 00474 000	2
89	Rod, Adjustable PRV & VGD Q5 - Q6	364 51753 714	1
89A	Rod, Adjustable	064 51624 000	1
89B	Bearing, Rod End with SST Insert	029 08343 000	2
90	Lever, Internal	064 51594 000	1
91	Shaft, Control Prerot Device	364 51672 000	1
91A	Disk, Shaft Control	064 51670 000	1
91B	Shaft, PRV Device	064 50497 000	1
92	Cover, Shaft Control	064 51671 000	1
94	Bracket, Support Lower PRV	064 48851 000	1
95	Lever, PRV External	064 51703 000	1
96	Link, External Q3 / Q4	064 51615 000	2
96	Link, External Q5 / Q6	064 51619 000	2
102	Spacer, Flanged, PRV & VGD	064 50612 000	2
103	Spacer, .50 Lg X .33 ID X .63 OD	064 50611 000	2
105	Arm, PRV Motor	064 51704 000	1
106	Screw, Cap Hex Soc HD #10	021 13949 000	1
107	Motor, Actuator	025 17175 001	1
107A	Motor, Actuator 150 450 In	025 17175 002	1
107B	Harness System Wiring	075 49340 2000	1
108†	Seal, O-Ring 2-1/4 ID X	028 03803 000	1
109	Plug, PRV Assembly	064 50632 000	1
110†	Seal, O-Ring Neoprene 0.755 ID 0.097 Thk	028 12961 005	1
111	Dowel, Pin Str	029 24130 000	1
121	Cover, VGD Shaft	064 51197 000	1
127†	Seal, O-Ring 2.112 ID X 3-11/16	028 15432 000	1
128	Cap Sealing, Caplug 2	028 05004 000	6
300	Compressor Large Parts Q3	164 51555 003	1
301	Support, Rotor with Bearing Housing Q3	364 50094 000	1
301A	Support, Rotor	064 50083 000	1
301B	Housing, Bearing	064 50093 000	1
302	Scroll, Rotor Q3	064 51552 000	1
303	Device, Pre-Rotation Q3	364 51554 003	1
304	Plate, Diffuser Q3	064 51576 000	1
305	Plate, Nozzle Base Q3	064 51603 000	1
306	Plate, PRV Support Q3	064 51581 000	1

* Included in Bearing Kit † Included in O-Ring Kit

Q3 - Q6 COMPRESSOR (CONT'D)

TABLE 1 - WITHOUT VGD (CONT'D)

ITEM	DESCRIPTION	PART NUMBER	QUANTITY
400	Compressor Large Parts Q4	164 51555 004	-
401	Support, Rotor with Bearing Housing Q4	364 50094 000	1
401A	Support, Rotor	064 50083 000	1
401B	Housing, Bearing	064 50093 000	1
402	Scroll, Rotor Q4	064 51561 000	1
403	Device, Pre-Rotation Q4	364 51554 004	1
404	Plate, Diffuser Q4	064 51577 000	1
405	Plate, Nozzle Base Q4	064 51604 000	1
406	Plate, PRV Support Q4	064 51581 000	1
500	Compressor Large Parts Q5	164 51557 005	-
501	Support, Rotor with Bearing Housing Q5	364 50094 000	1
501A	Support, Rotor	064 50083 000	1
501B	Housing, Bearing	064 50093 000	1
502	Scroll, Rotor Q5	064 51587 000	1
503	Device, Pre-Rotation Q5	364 51554 005	1
504	Plate, Diffuser Q5	064 51614 000	1
505	Plate, Nozzle Base Q5	064 51605 000	1
506	Plate, PRV Support Q5	064 51583 000	1
600	Compressor Large Parts Q6	164 51557 006	-
601	Support, Rotor with Bearing Housing Q6	364 50094 000	1
601A	Support, Rotor	064 50083 000	1
601B	Housing, Bearing	064 50093 000	1
602	Scroll, Rotor Q6	064 51588 000	1
603	Device, Pre-Rotation Q6	364 51554 006	1
604	Plate, Diffuser Q6	064 51613 000	1
605	Plate, Nozzle Base Q6	064 51606 000	1
606	Plate, PRV Support Q6	064 51583 000	1
—	Bearing Kit Q3 - Q6	464 51890 000	1
—	O-Ring Kit Q3 / Q4	464 51891 000	1
—	O-Ring Kit Q5 / Q6	464 51892 000	1

* Included in Bearing Kit † Included in O-Ring Kit

Q3 - Q6 COMPRESSOR (CONT'D) WITHOUT VGD

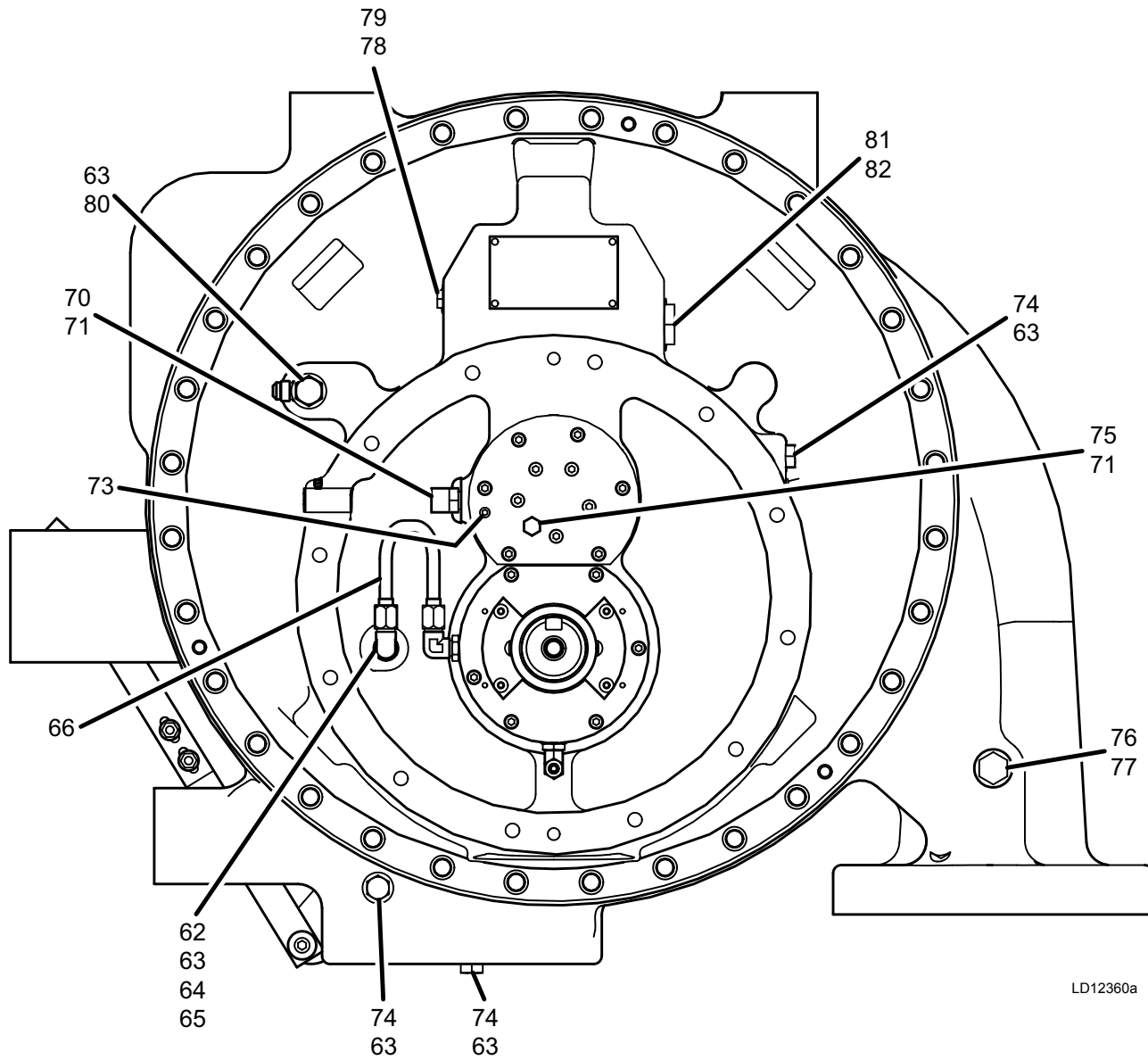


FIGURE 1 - Q3 - Q6 COMPRESSOR WITHOUT VGD

Q3 - Q6 COMPRESSOR (CONT'D) WITHOUT VGD

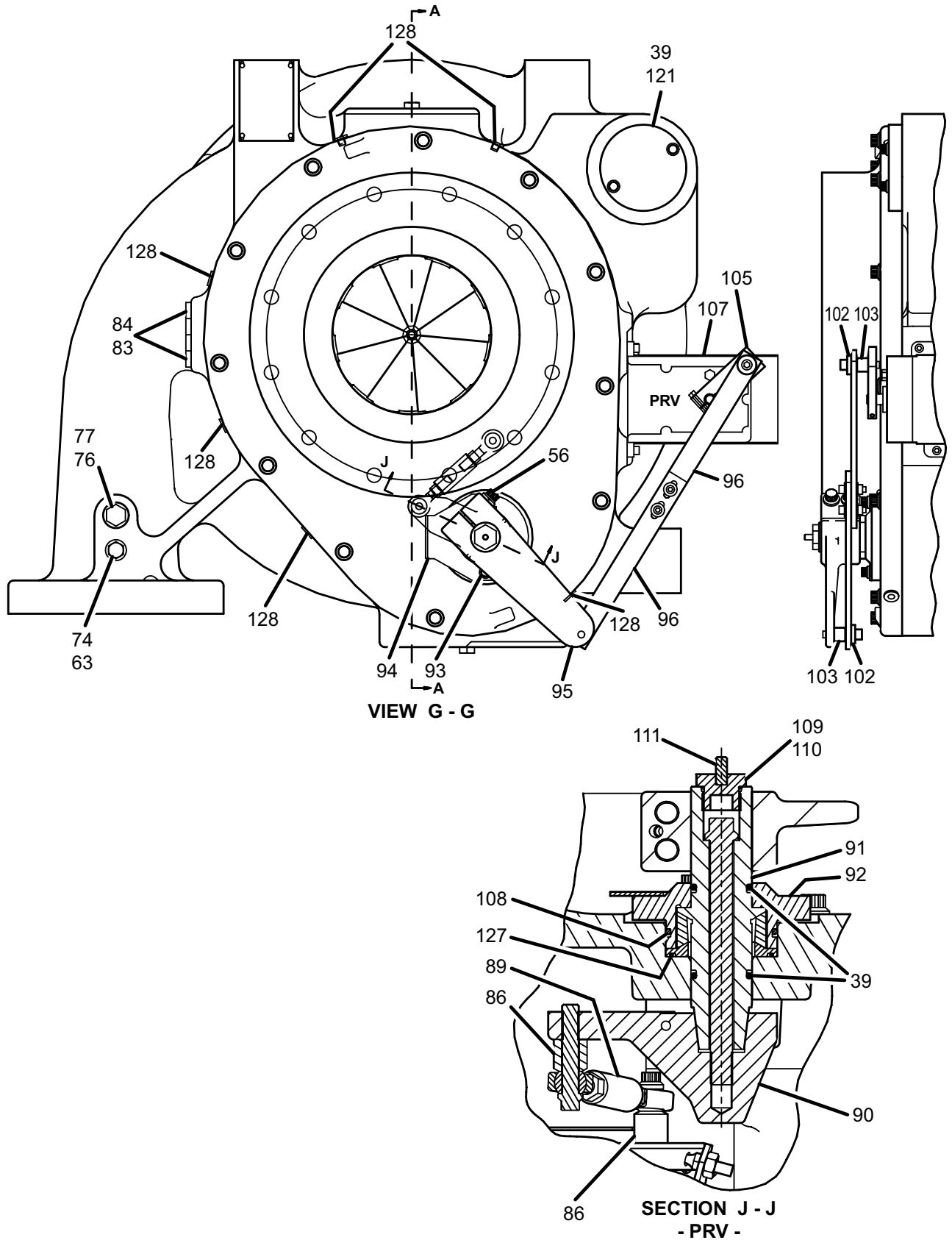
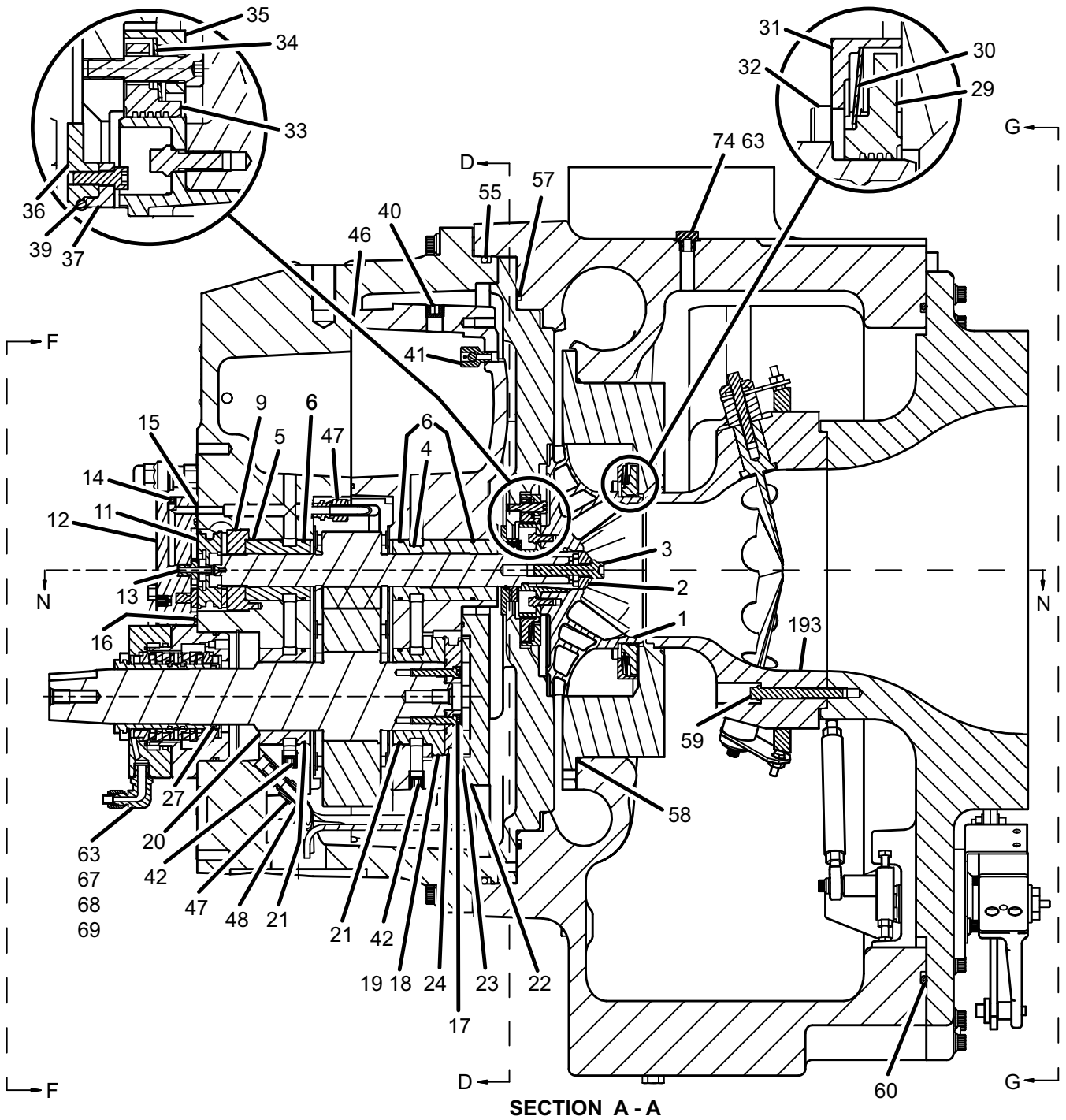


FIGURE 2 - Q3 - Q6 COMPRESSOR WITHOUT VGD

LD12361b

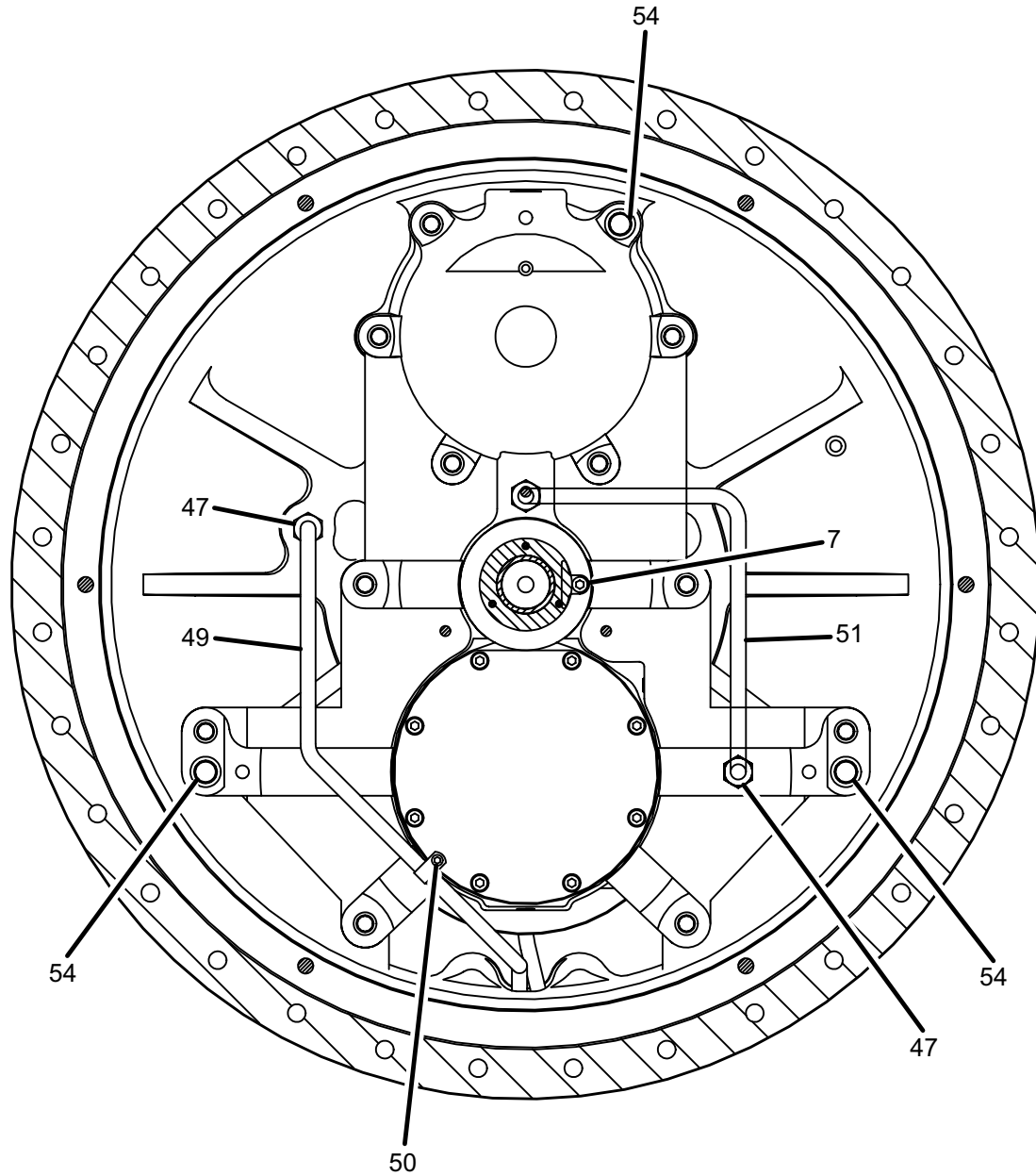
Q3 - Q6 COMPRESSOR (CONT'D) WITHOUT VGD



LD12370a

FIGURE 3 - Q3 - Q6 COMPRESSOR WITHOUT VGD

Q3 - Q6 COMPRESSOR (CONT'D) WITHOUT VGD



SECTION D - D

LD12371a

FIGURE 4 - Q3 - Q6 COMPRESSOR WITHOUT VGD

Q3 - Q6 COMPRESSOR

TABLE 2 - WITH VGD

ITEM	DESCRIPTION	PART NUMBER	QUANTITY
1	Impeller, 4.16 Eye Hard Coat Q3	364 51661 001	1
1	Impeller, 4.32 Eye Hard Coat Q4	364 51596 001	1
1	Impeller, 4.6 Eye Hard Coat Q5	364 51598 001	1
1	Impeller, 4.91 Eye Hard Coat Q6	364 51600 001	1
2	Collar, Impeller Clamp Q3 / Q4	064 51423 000	1
2	Collar, Impeller Clamp Q5 / Q6	064 51699 000	1
3	Screw, Special	064 50052 000	1
4*	Bearing, H.S. Front HF	064 50065 000	1
5*	Bearing, H.S. Rear HF	064 50064 000	1
6†	Seal, O-Ring 2 ID X 2-3/16 OD	028 14419 000	3
7	Retainer, Bearing S Stage Turbo	064 46886 000	2
9*	Bearing, H.S. Forward Thrust HF	029 22936 000	1
11*	Collar, H.S. Thrust HF	064 49636 001	1
12*	Bearing, H.S. Reverse Thrust HF	029 22937 000	1
13	Orifice, H.S. Oil Feed HF	064 49650 000	1
14	Plug, Pipe, Flush Type Hex	023 05366 000	2
15†	Seal, O-Ring 5/16 ID X	028 12513 000	2
16†	Seal, O-Ring 3-1/2 ID X 3-3/4	028 14404 000	1
18*	Bearing, L.S. Front HF	064 50085 000	1
19*	Pin, Slot Spg 3/16 X 1/2	029 04138 000	1
20*	Bearing, L.S. Rear HF	064 50084 000	1
21†	Seal, O-Ring 3-1/4 ID X 3-7/16	028 14420 000	2
22	Bearing, L.S. Thrust HF	029 22935 000	1
23†	Seal, O-Ring 5-1/4 ID X 5-7/16	028 14403 000	1
24	Collar, L.S. Thrust HF	064 49637 000	1
26	Seal, Double Shaft HF	029 22938 000	1
27†	Seal, O-Ring 4-3/8 ID X	028 13111 000	1
29	Ring, Eye Seal Q3	064 51575 000	1
29	Ring, Eye Seal Q4	064 51679 000	1
29	Ring, Eye Seal Q5	064 51678 000	1
29	Ring, Eye Seal Q6	064 51677 000	1
30	Washer, Spring Eye Seal Q3 / Q4	064 51591 000	1
30	Washer, Spring Eye Seal Q5 / Q6	064 50388 000	1
31	Retainer, Eye Seal Q3 / Q4	064 51563 000	1
31	Retainer, Eye Seal Q5 / Q6	064 50387 000	1
33	Ring, Balance Piston Seal Q3 / Q4	064 51573 000	1
33	Ring, Balance Piston Seal Q5 / Q6	064 50748 000	1
34	Washer, Spring Balance Piston	064 50749 000	1
35	Retainer, Balance Piston Seal Washer HF52	064 50747 000	1
36	Slinger, Oil Q3-Q6	064 51585 000	1
37	Plate, Slinger Mtg Q3-Q6	064 51586 000	1

* Included in Bearing Kit † Included in O-Ring Kit

Q3 - Q6 COMPRESSOR (CONT'D)

TABLE 2 - WITH VGD (CONT'D)

ITEM	DESCRIPTION	PART NUMBER	QUANTITY
39†	Seal, O-Ring 1-1/8 ID X 1/8	028 12200 000	5
40	Orifice, Pipe Plug Yk Compr	064 51852 000	1
41	Valve, Check Oil 1/8 NPTE	022 04444 000	1
42	Plug, Pipe 1/4 Hex Socket	023 01973 000	2
43	Shield, HF	064 49638 000	2
46†	Seal, O-Ring 6 ID X 6-1/4 OD	028 14405 000	1
47	Connr, Instm 3/8 Tube X	023 12229 000	4
48	Tube, Oil Drain HD 46-61	064 49154 000	1
49	Tube, Oil Return HF	064 49620 000	1
50	Clamp, Tube 3/8 OD	023 05284 000	1
51	Tube, Oil Feed Internal HF	064 49621 000	1
54	Pin, Dowel Tapped 3/8 Dia	029 18459 000	3
55†	Seal, O-Ring 22 ID X 22-1/2 OD	028 14406 000	1
57†	Seal, O-Ring 20 ID X 20-3/8 OD	028 14413 000	1
58†	Seal, O-Ring 11.484 ID X Q3 / Q4	028 13977 000	1
58†	Seal, O-Ring 13 ID X 13-1/4 Q5 / Q6	028 14412 000	1
60†	Seal, O-Ring 19 ID X 19-1/2 OD Q3 / Q4	028 14414 000	1
60†	Seal, O-Ring 22.9 ID X .275 OD Q5 / Q6	028 15438 000	1
62	Elbow, Flare Hydraulic 3/8 OD	023 18920 000	2
63†	Seal, O-Ring Neoprene 0.468 ID 0.078 Thk	028 12961 003	10
64	Nut, Flare Hydraulic 3/8 OD	023 09673 000	2
65	Sleeve, Flare Hydraulic 3/8 OD	023 10001 000	2
66	Tube, Oil Feed External HF	064 49619 000	1
67	Elbow, Flare Hydraulic 1/4 OD	023 20242 000	1
68	Nut, Flare Hydraulic 1/4 OD	023 09670 000	1
69	Sleeve, Flare Hydraulic 1/4 OD	023 10000 000	1
70	Probe, Pressure Switch	025 34535 001	1
71†	Seal, O-Ring .301 ID X .064	028 12209 000	2
74	Plug, Hex HD 9/16	023 18962 000	6
75	Plug, Hex HD	023 20217 000	1
76	Plug, Hex HD 3/4	023 18280 000	2
77†	Seal, O-Ring Neoprene 0.644 ID 0.087 Thk	028 12961 004	2
78	Plug, Hex HD 7/16	023 18279 000	1
79†	Seal, O-Ring .351 ID X	028 13832 000	1
80	Valve, Stop Ang Vertical	022 09578 000	1
81	Plug, Hex HD 1-1/16	023 18295 000	1
82†	Seal, O-Ring Neoprene 0.924 ID 0.116 Thk	028 12961 006	1
83	Plug, Hex HD 1-5/16	023 18282 000	2
84†	Seal, O-Ring Neoprene 1.171 ID 0.116 Thk	028 12961 008	2
86	Fillpiece, Prerot Device Q3 / Q4	064 09288 000	2
86	Fillpiece, Prerot Device Q5 / Q6	064 51625 000	2

* Included in Bearing Kit † Included in O-Ring Kit

Q3 - Q6 COMPRESSOR (CONT'D)

TABLE 2 - WITH VGD (CONT'D)

ITEM	DESCRIPTION	PART NUMBER	QUANTITY
89	Rod, Adjustable PRV & VGD Q3 / Q4	364 51753 458	1
89A	Rod, Adjustable	064 51592 000	1
89B	Bearing, Rod End with SST Insert	029 08343 000	2
89	Rod, Adjustable PRV & VGD Q5 / Q6	364 51753 714	1
89A	Rod, Adjustable	064 51624 000	1
89B	Bearing, Rod End with SST Insert	029 08343 000	2
90	Lever, Internal	064 51594 000	1
91	Shaft, Contl Prerot Device	364 51672 000	1
92	Cover, Shaft Control	064 51671 000	2
94	Bracket, Support Lower PRV	064 48851 000	1
95	Lever, PRV External	064 51703 000	2
96	Link, External Q3 / Q4	064 51615 000	2
96	Link, External Q5 / Q6	064 51619 000	2
98	Spacer, .38 Lg .33 ID X .63 OD	064 51593 000	2
102	Spacer, Flanged, PRV & VGD	064 50612 000	4
103	Spacer, .50 Lg X .33 ID X .63OD	064 50611 000	2
105	Arm, PRV Motor	064 51704 000	2
107	Motor, Actuator	025 17175 001	2
107A	Motor Actuator 150 450 In	025 17175 002	1
107B	Harness System Wiring	075 49340 222	1
108†	Seal, O-Ring 2-1/4 ID X	028 03803 000	2
109	Plug, PRV Assembly	064 50632 000	2
110†	Seal, O-Ring Neoprene 0.755 ID 0.097 Thk	028 12961 005	2
111	Dowel, Pin Str	029 24130 000	2
113	Tab, Drive Ring Q3 / Q6	064 51569 000	1
114	Arm, Motor Q3 / Q4	064 51704 000	1
114	Arm, Motor Q5 / Q6	064 51705 000	1
116	Fillpiece, Prerot Device	064 10821 000	2
117	Rod, Adjustable PRV & VGD Q3 / Q4	364 51753 733	1
117A	Rod, Adjustable	064 51289 000	1
117B	Bearing, Rod End with SST Insert	029 08343 000	2
117	Rod, Adjustable PRV & VGD Q5 / Q6	364 51753 725	1
117A	Rod, Adjustable	064 51289 000	1
117B	Bearing, Rod End with SST Insert	029 08343 000	2
118	Lever, Internal VGD	064 51215 000	1
119	Bushing, Garlock 16du12	029 24100 000	1
120	Shaft, Contl VGD	364 51673 000	1
122	Link, External Q3 / Q4	064 51582 000	1
122	Link, External Q5 / Q6	064 51620 000	1
127†	Seal, O-Ring 2.112 ID X 3-11/16	028 15432 000	2
128	Cap, Sealing, Caplug 2,	028 05004 000	6
300	Compressor, Large Parts Q3 VGD	164 51556 003	1

* Included in Bearing Kit † Included in O-Ring Kit

Q3 - Q6 COMPRESSOR (CONT'D)

TABLE 2 - WITH VGD (CONT'D)

ITEM	DESCRIPTION	PART NUMBER	QUANTITY
301	Plate, Nozzle Base Q3 VGD	064 51568 000	1
302	Device, VGD Common Parts Q3	364 51553 000	1
303	Support, Rotor with Bearing Housing Q3	364 50094 000	1
303A	Support, Rotor Q3	064 50083 000	1
303B	Housing, Bearing Q3	064 50093 000	1
304	Scroll, Rotor Q3	064 51552 000	1
305	Device, Pre-Rotation Q3	364 51554 003	1
306	Plate, Diffuser Q3	064 51576 000	1
307	Plate, PRV Support Q3	064 51581 000	1
400	Compressor, Large Parts Q4 VGD	164 51556 004	1
401	Plate, Nozzle Base Q4 VGD	064 51572 000	1
402	Device, VGD Common Parts Q4	364 51553 000	
403	Support, Rotor with Bearing Housing Q4	364 50094 000	1
403A	Support, Rotor Q4	064 50083 000	1
403B	Housing, Bearing Q4	064 50093 000	1
404	Scroll, Rotor Q4	064 51561 000	1
405	Device, Pre-Rotation Q4	364 51554 004	1
406	Plate, Diffuser Q4	064 51577 000	1
407	Plate, PRV Support Q4	064 51581 000	1
500	Compressor, Large Parts Q5 VGD	164 51558 005	1
501	Plate, Nozzle Base Q5 VGD	064 51610 000	1
502	Device, VGD Common Parts Q5	364 51622 000	1
503	Support, Rotor with Bearing Housing Q5	364 50094 000	1
503A	Support, Rotor Q5	064 50083 000	1
503B	Housing, Bearing Q5	064 50093 000	1
504	Scroll, Rotor Q5	064 51587 000	1
505	Device, Pre-Rotation Q5	364 51554 005	1
506	Plate, Diffuser Q5	064 51614 000	1
507	Plate, PRV Support Q5	064 51583 000	1
600	Compressor, Large Parts Q6 VGD	164 51558 006	1
601	Plate, Nozzle Base Q6 VGD	064 51609 000	1
602	Device, VGD Common Parts Q6	364 51622 000	1
603	Support, Rotor with Bearing Housing Q6	364 50094 000	1
603A	Support, Rotor Q6	064 50083 000	1
603B	Housing, Bearing Q6	064 50093 000	1
604	Scroll, Rotor Q6	064 51588 000	1
605	Device, Pre-Rotation Q6	364 51554 006	1
606	Plate, Diffuser Q6	064 51613 000	1
607	Plate, PRV Support Q6	064 51583 000	1

* Included in Bearing Kit

† Included in O-Ring Kit

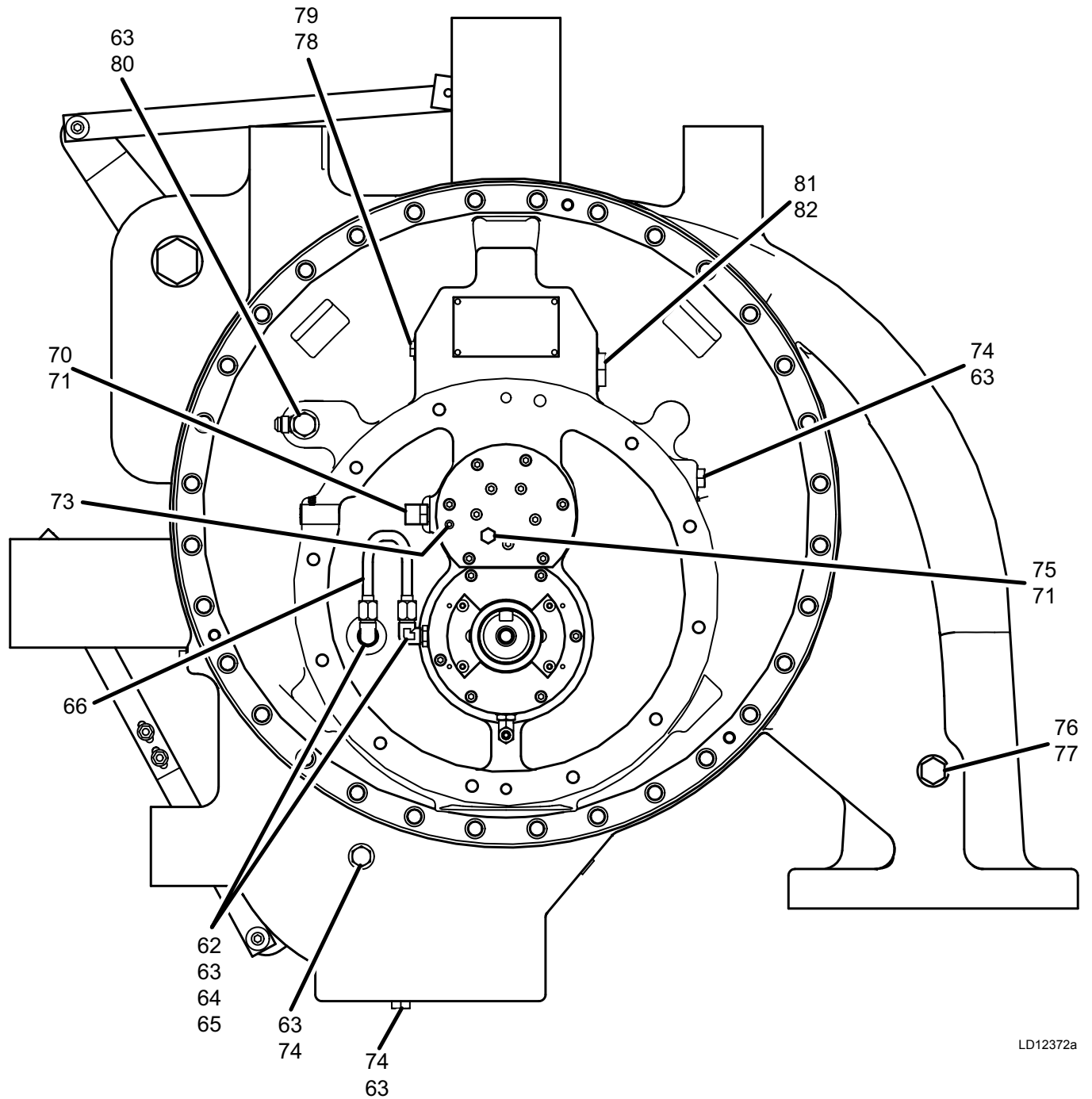
Q3 - Q6 COMPRESSOR (CONT'D)

TABLE 2 - WITH VGD (CONT'D)

ITEM	DESCRIPTION	PART NUMBER	QUANTITY
—	Bearing Kit Q3 - Q6	464 51890 000	1
—	O'Ring Kit Q3 / Q4	464 51888 000	1
—	O'Ring Kit Q5 / Q6	464 51889 000	1

* Included in Bearing Kit † Included in O-Ring Kit

Q3 - Q6 COMPRESSOR (CONT'D) WITH VGD



LD12372a

FIGURE 5 - Q3 - Q6 COMPRESSOR WITH VGD

Q3 - Q6 COMPRESSOR (CONT'D) WITH VGD

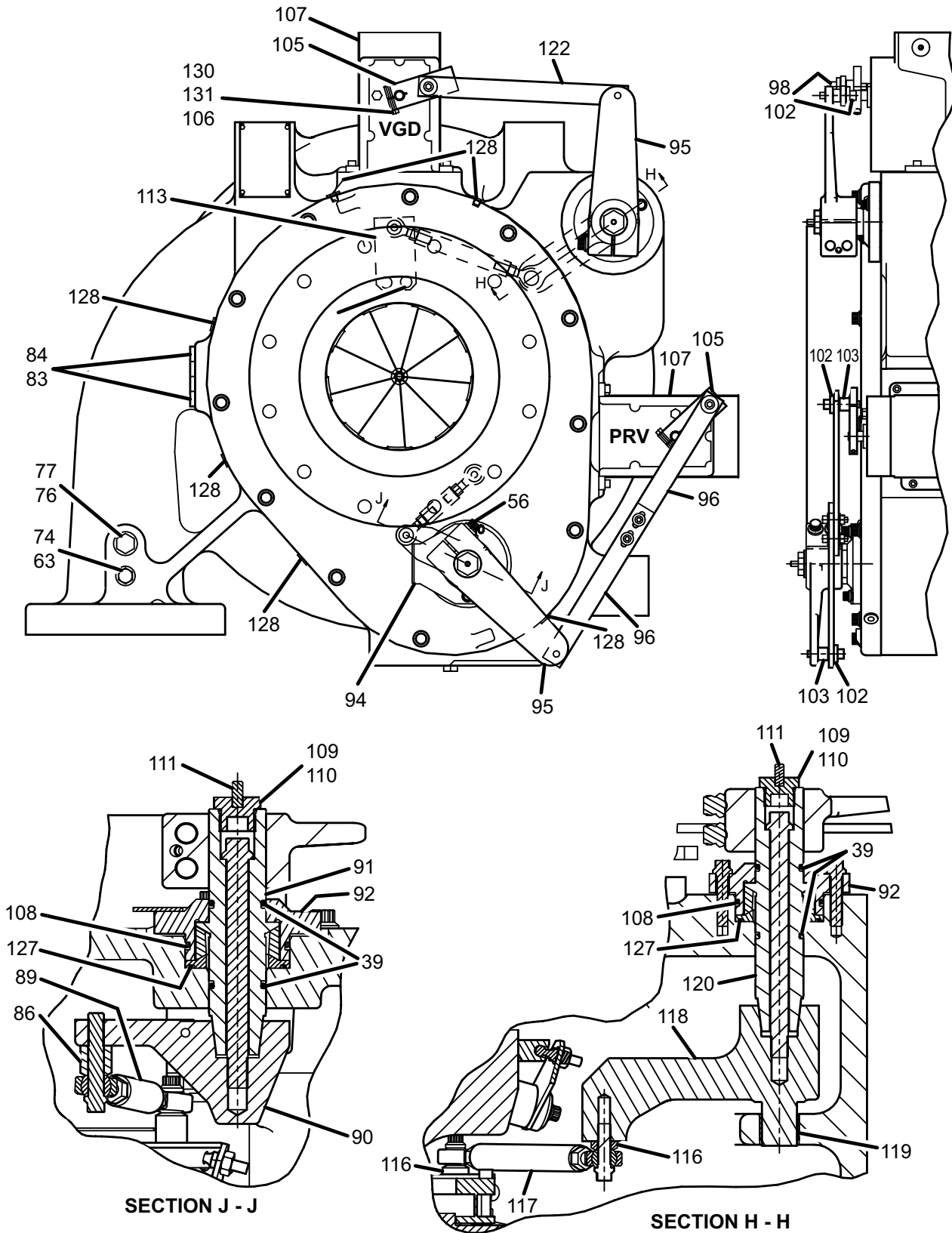
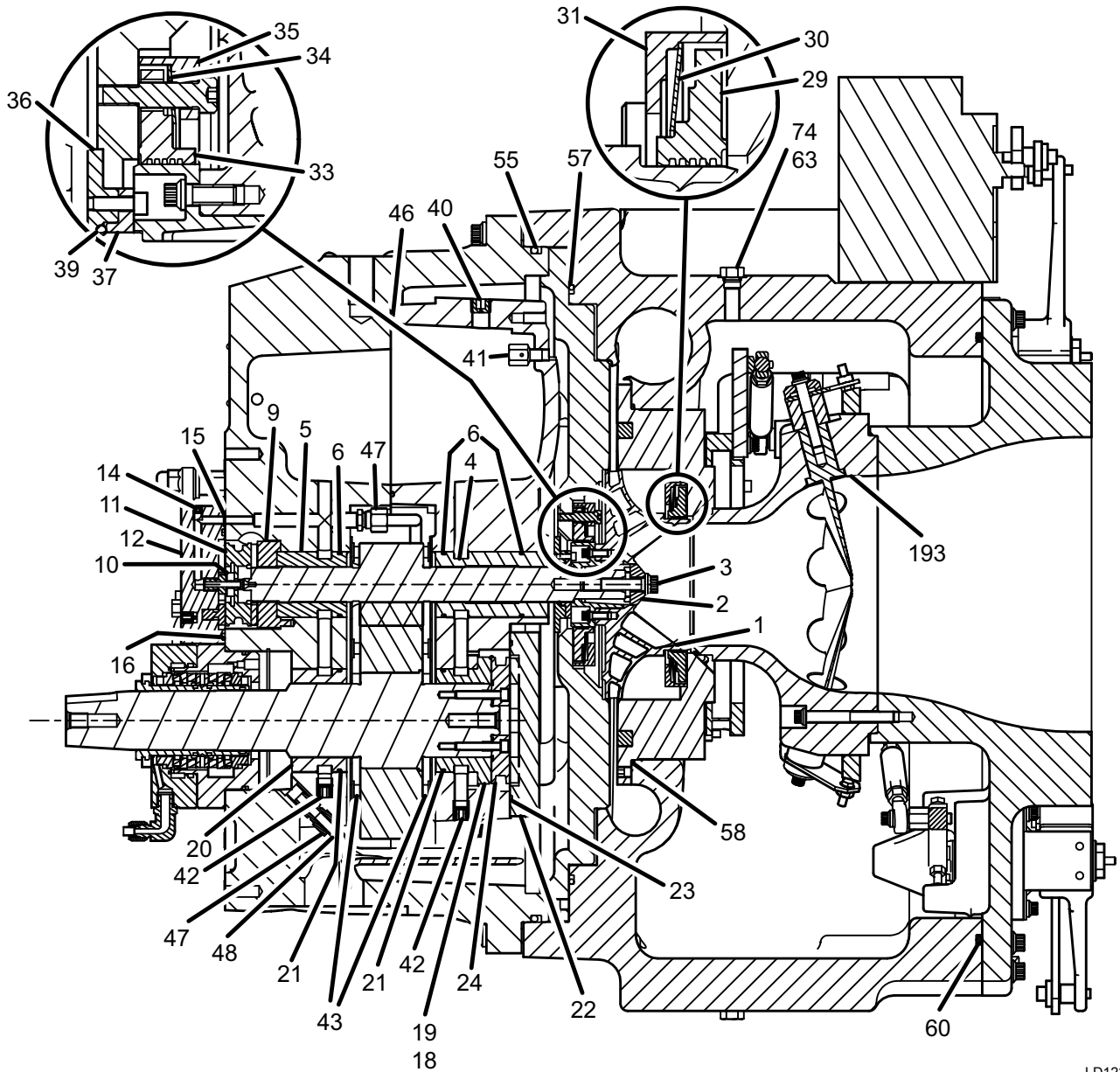


FIGURE 6 - Q3 - Q6 COMPRESSOR WITH VGD

LD12365a

Q3 - Q6 COMPRESSOR (CONT'D) WITH VGD



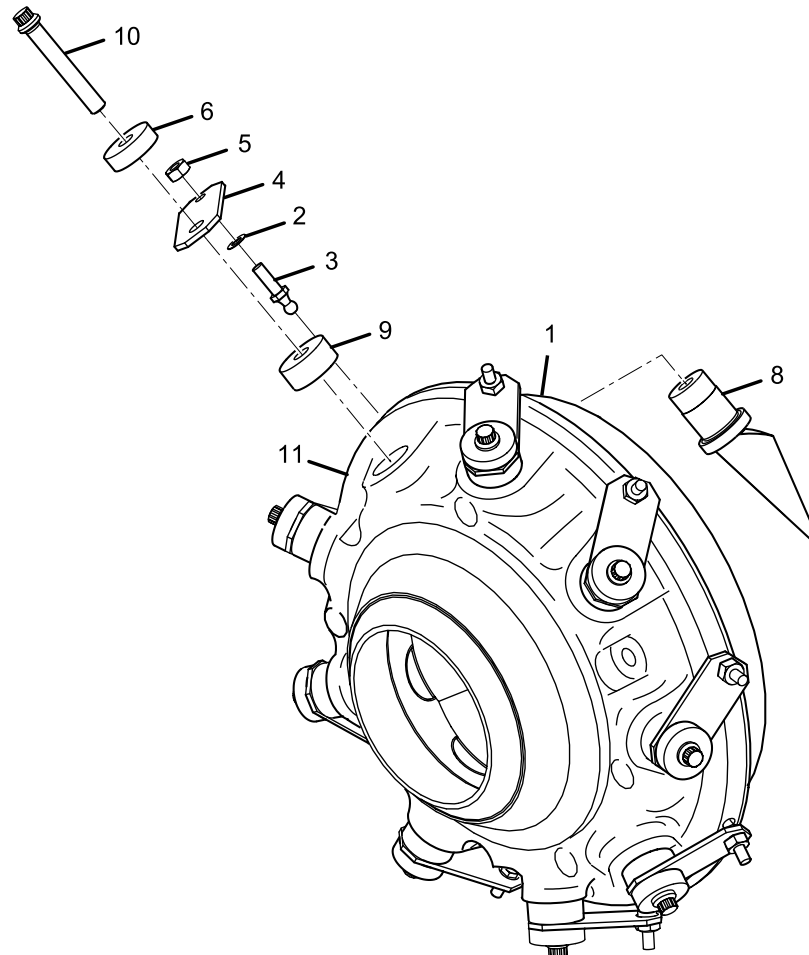
LD12366a

FIGURE 7 - Q3 - Q6 COMPRESSOR WITH VGD

DEVICE PRE-ROTATION

TABLE 3 - MODEL Q3 - Q6

ITEM	DESCRIPTION	PART NUMBER	QUANTITY
-	Device, Pre-Rotation Q3	364 51554 003	-
-	Device, Pre-Rotation Q4	364 51554 004	-
-	Device, Pre-Rotation Q5	364 51554 005	-
-	Device, Pre-Rotation Q6	364 51554 006	-
1	Ring, Vane Driving	064 51590 000	1
2	Washer, Plain Lt 17/64 ID 1/2	021 11973 000	10
3	Stud, Ball 1/4-28 UNF	029 15924 000	9
4	Arm, Vane PRV	064 47952 000	9
5	Nut, Self Lock 1/4-28 UNF	021 12943 000	9
6	Washer, Special 25/64	064 09289 000	9
8	Vane, Pre-Rotation	029 22449 000	9
9	Spacer, Arm PRV HD 46/50	064 49205 000	9
10	Screw, Cap 12pt HD 3/8	021 11956 000	9
11	Housing, Q3	064 51570 000	1
11	Housing, Q4	064 51574 000	1
11	Housing, Q5	064 51618 000	1
11	Housing, Q6	064 51617 000	1



LD12363

FIGURE 9 - DEVICE PRE-ROTATION

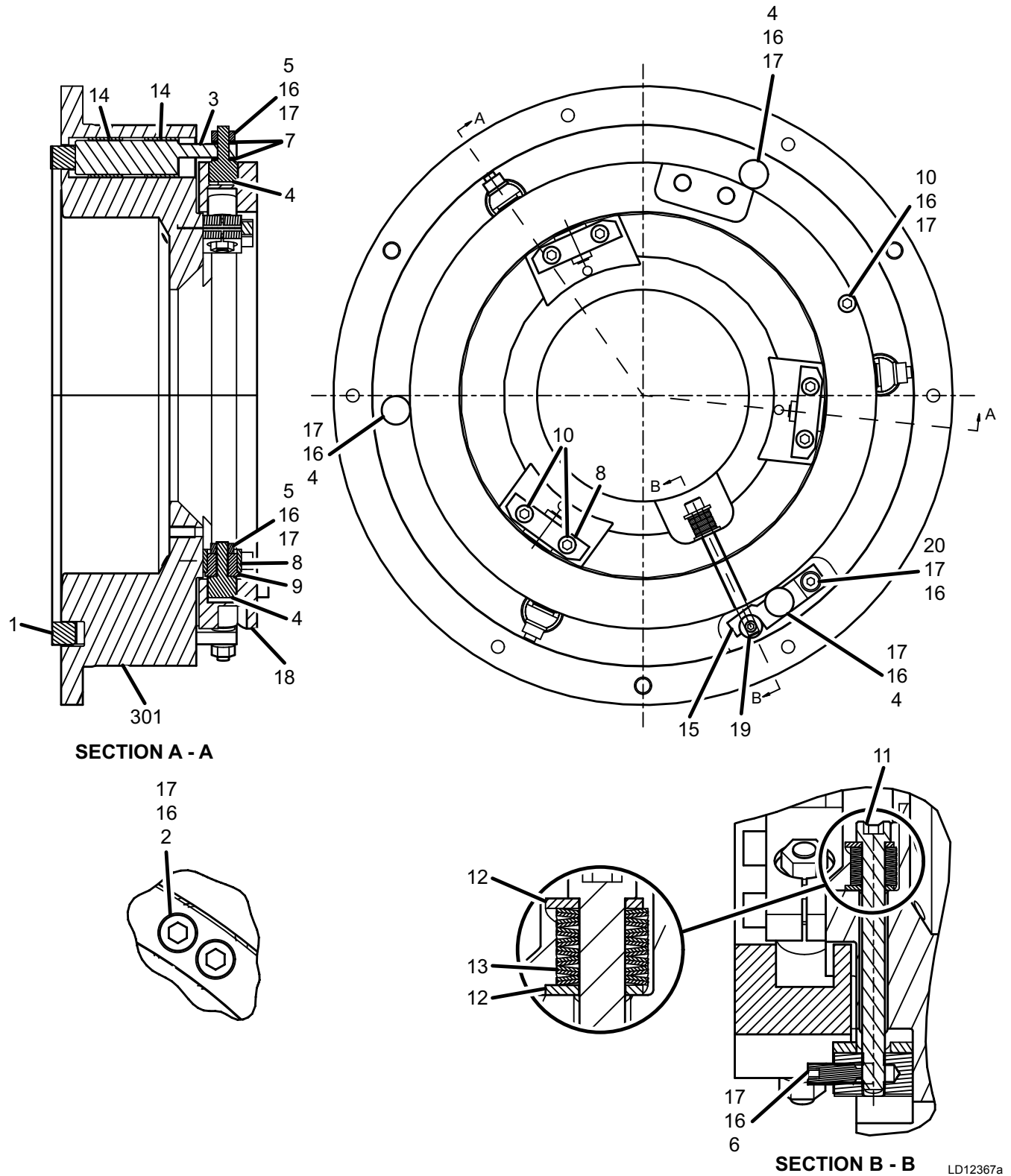
DEVICE VGD

TABLE 4 - MODEL Q3 - Q6

ITEM	DESCRIPTION	PART NUMBER	QUANTITY
-	VGD Device Q3 / Q4 Assy	364 51553 000	-
-	VGD Device Q5 / Q6 Assy	364 51622 000	-
1	Ring, Diffuser Q3 / Q4 VGD	064 51565 000	1
1	Ring, Diffuser Q5 / Q6 VGD	064 51616 000	1
2	Screw, Cap Hex HD #10	021 31850 000	6
3	Pin, Drive Q3 / Q4	064 51564 000	3
4	Bearing, McGill Cf-5/8-B	029 24917 000	9
5	Nut, Hex 1/4 - 28 UNF-2B	021 00442 000	10
6	Screw, Set Hex Soc 1/4	021 31328 000	1
7	Washer, Plain .265 ID X 1/2 OD	021 10189 000	6
8	Support, Axial Bearing	064 51567 000	3
9	Bushing, Eccentric	064 51584 000	3
10	Screw, Cap Hex Soc HD 1/4	021 02578 000	7
11	Screw, Cap Hex Soc HD 1/4	032 31852 000	1
12	Washer, Plain Clipped	021 31779 000	2
13	Washer, Conical Disk	021 31780 000	16
14	Bushing, Garlock 12du12	029 24117 000	6
15	Block, Tensioner Drive Ring	064 51701 000	1
18	Ring, Drive Q3 / Q4	064 51566 000	1
18	Ring, Drive Q5 / Q6	064 51611 000	1
19	Pin, Tensioner Drive Ring	064 51702 000	1
20	Screw, Shoulder Soc HD	021 17557 000	1

DEVICE VGD (CONT'D)

MODEL Q3 - Q6



LD12367a

FIGURE 10 - DEVICE VGD (Q3 - Q6)

Q7 COMPRESSOR (364 50757 XXX)

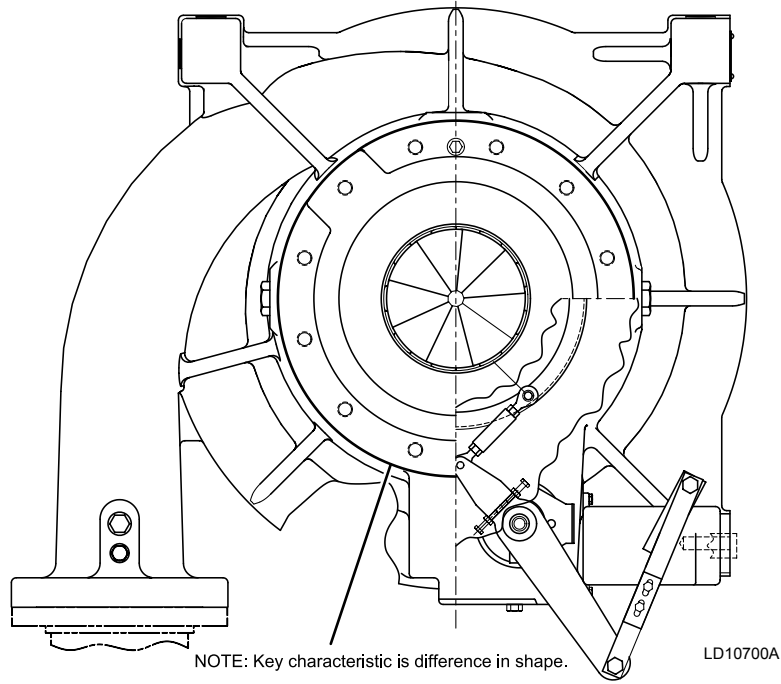


FIGURE 11 - Q7 COMPRESSOR (OLD)

Q7 COMPRESSOR (364 51559 XXX) (364 51560 XXX)

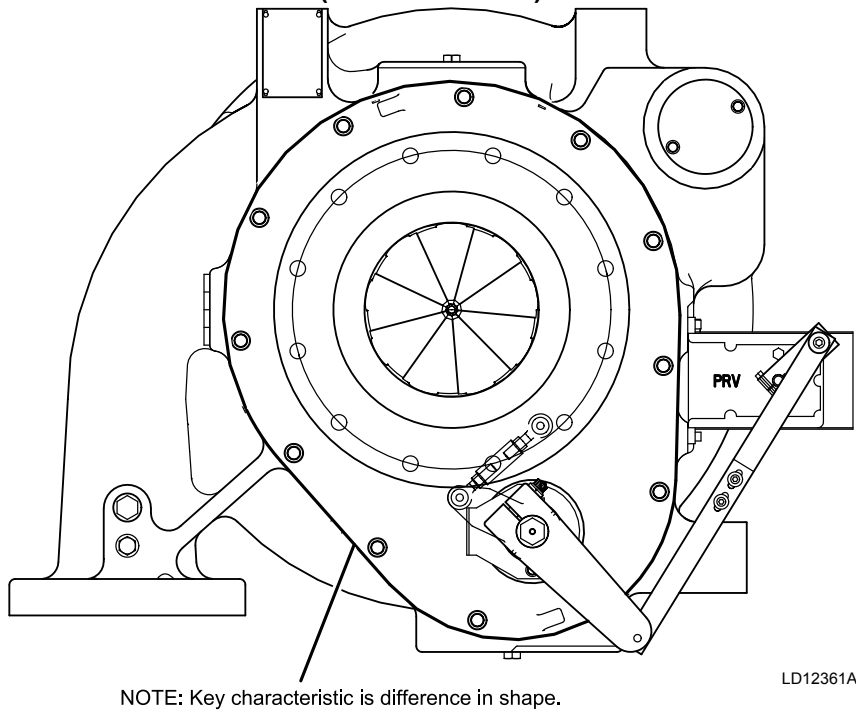


FIGURE 12 - Q7 COMPRESSOR (NEW)

Q7 COMPRESSOR (OLD)

TABLE 5 - (364 50757 XXX) WITHOUT VGD

ITEM	DESCRIPTION	PART NUMBER	QUANTITY
1	Arm, Motor & PRV	064 49152 000	1
2*	Bearing, H.S. Forward Thrust HF	029 22936 000	1
3*	Bearing, H.S. Front HF	064 50065 000	1
4*	Bearing, H.S. Rear HF	064 50064 000	1
5*	Bearing, H.S. Reverse Thrust HF	029 22937 000	1
6*	Bearing, L.S. Front HF	064 50085 000	1
7	Bearing, L.S. Thrust HF	029 22935 000	1
8*	Bearing, L.S. Rear HF	064 50084 000	1
9	Bearing, Rod end with SST Insert Chrome	029 08343 000	2
10	Screw, Special	064 50052 000	1
11	Bolt, Shld spl 1/4-20 X 1	064 28262 000	1
12	Bolt, Shld spl 1/4 20 UNC	064 28282 000	1
13	Bracket, Support Lower PRV	064 48851 000	1
14	Link, Extnl PRV & mot T85	064 28237 000	1
15	Clamp, Tube 3/8" OD	023 05284 000	1
16*	Collar, H.S. Thrust HF	064 49636 001	1
17	Collar, Impeller Clamp HF	029 22987 000	1
18	Collar, L.S. Thrust HF	064 49637 000	1
19	Plug, Hex HD 1-5/16"	023 18282 000	2
20	Connr, Instm 3/8" Tube OD	023 12229 000	4
21	Cover, PRV Shaft Control	064 48861 000	1
22	Device, Pre-Rotation	364 50383 007	1
23	Impeller, 5.2 Eye Hard Coat HF 52	364 50752 001	1
24	Support, Rotor with Bearing Hsg	364 50094 000	1
24A	Support, Rotor	064 50083 000	1
24B	Housing, Bearing	064 50093 000	1
25	Elbow, Flare Hydraulic 1/4" OD	023 20242 000	1
26	Elbow, Flare Hydraulic 3/8" OD	023 18920 000	2
27	Enamel, Caribbean Blue	013 01835 000	.125
28	Fillpiece, Prerot Device	064 12328 000	1
29	Fillpiece, .750 dia. X .500	064 47518 000	1
30	Gasket, 2-1/2" OD X 2" ID X 1/32"	064 47751 000	1
31	Lever, PRV External	064 49151 000	1
32	Lever, Internal	064 47482 006	1
33	Lever, External PRV	064 47581 000	1
34	Motor, Actuator	025 17175 001	1
37	Nut, Flare Hydraulic 3/8" OD	023 09673 000	2
38	Nut, Hex 1/4"-20 UNC-2b	021 00450 000	10
39	Nut, Hex 3/8"-24 UNF-2b	021 00450 000	2
40	Orifice, H.S. Oil Feed	064 49650 000	1
41*	Pin, Slot Spg 3/16" X 1/2"	029 04138 000	1
42	Pin, Dowel Tapped 3/8" dia.	029 18459 000	3

* Included in Bearing Kit

† Included in O-Ring Kit

Q7 COMPRESSOR (CONT'D) (OLD)

TABLE 5- (364 50757 XXX) WITHOUT VGD (CONT'D)

ITEM	DESCRIPTION	PART NUMBER	QUANTITY
43	Plate, Diffuser	064 50746 000	
44	Plate, Nozzle Base	064 50309 000	
45†	Seal, O-Ring Neoprene	028 12961 008	2
46	Plug, hex HD 7/16"	023 18279 000	2
47	Plug, hex HD 9/16"	023 18962 000	4
48	Plug, Pipe, Flush Type Hex	023 05366 000	2
49	Plug, Pipe, 1/4" Hex Socket	023 01973 000	2
51	Probe, HF	025 34535 000	1
52	Plug, Hex HD	023 20217 000	1
53	Retainer, Balance Piston Seal Washer	064 50747 000	1
54	Retainer, Bearing S Stage Turbo	064 46866 000	2
55	Seal, Double Shaft	029 22938 000	1
56	Ring, 5/8" lg X 17/64" ID X 5/8"	064 40009 000	1
57	Ring, Balance Piston Seal	064 50748 000	1
58	Ring, Eye Seal	064 50368 000	1
59	Rod, Adjustable	064 49719 000	1
81	Screw, Rotor (Side & Down)	064 50753 000	1
82†	Seal, O-Ring 5/16" ID X	028 12513 000	2
83†	Seal, O-Ring .301 ID X .064	028 12209 000	2
84†	Seal, O-Ring 2 ID X 2-3/16" OD	028 14419 000	3
85†	Seal, O-Ring 3-1/4" ID X 3-7/16	028 14420 000	2
86†	Seal, O-ring 5-1/4" id x 5-7/16"	028 14403 000	1
87	Seal, O-ring 1" id x 1/8"	028 12201 000	1
88	Seal, O-ring 1-1/8" id x 1/8"	028 12200 000	2
89†	Seal, O-ring 3-1/2" id x 3-3/4"	028 14404 000	1
90†	Seal, O-ring 4-3/8" id x	028 13111 000	1
91†	Seal, O-ring 6" id x 6-1/4" od	028 14405 000	1
92†	Seal, O-ring 15" id x 15-1/4" od	028 15063 000	1
93†	Seal, O-ring 20" id x 20-3/8" od	028 14413 000	1
95†	Seal, O-ring 22" id x 22-1/2" od	028 14406 000	1
96†	Seal, O-ring .351 od x	028 13382 000	2
97†	Seal, O-ring Neoprene	028 12961 003	8
98†	Seal, O-ring neoprene	028 12961 004	1
101	Sealer, Grade avv loctite 086	013 01671 000	.003
103	Sealer, removable thread	013 01678 000	.023
104	Plug, Hex hd 3/4"	023 18280 000	1
105	Shaft, Control Prerot Device	364 29573 000	1
106	Shield	064 49638 000	2
107	Sleeve, Flare hydraulic	023 10001 000	2
108	Washer, Spring Balance Piston	064 50749 000	1

* Included in Bearing Kit † Included in O-Ring Kit

Q7 COMPRESSOR (CONT'D) (OLD)

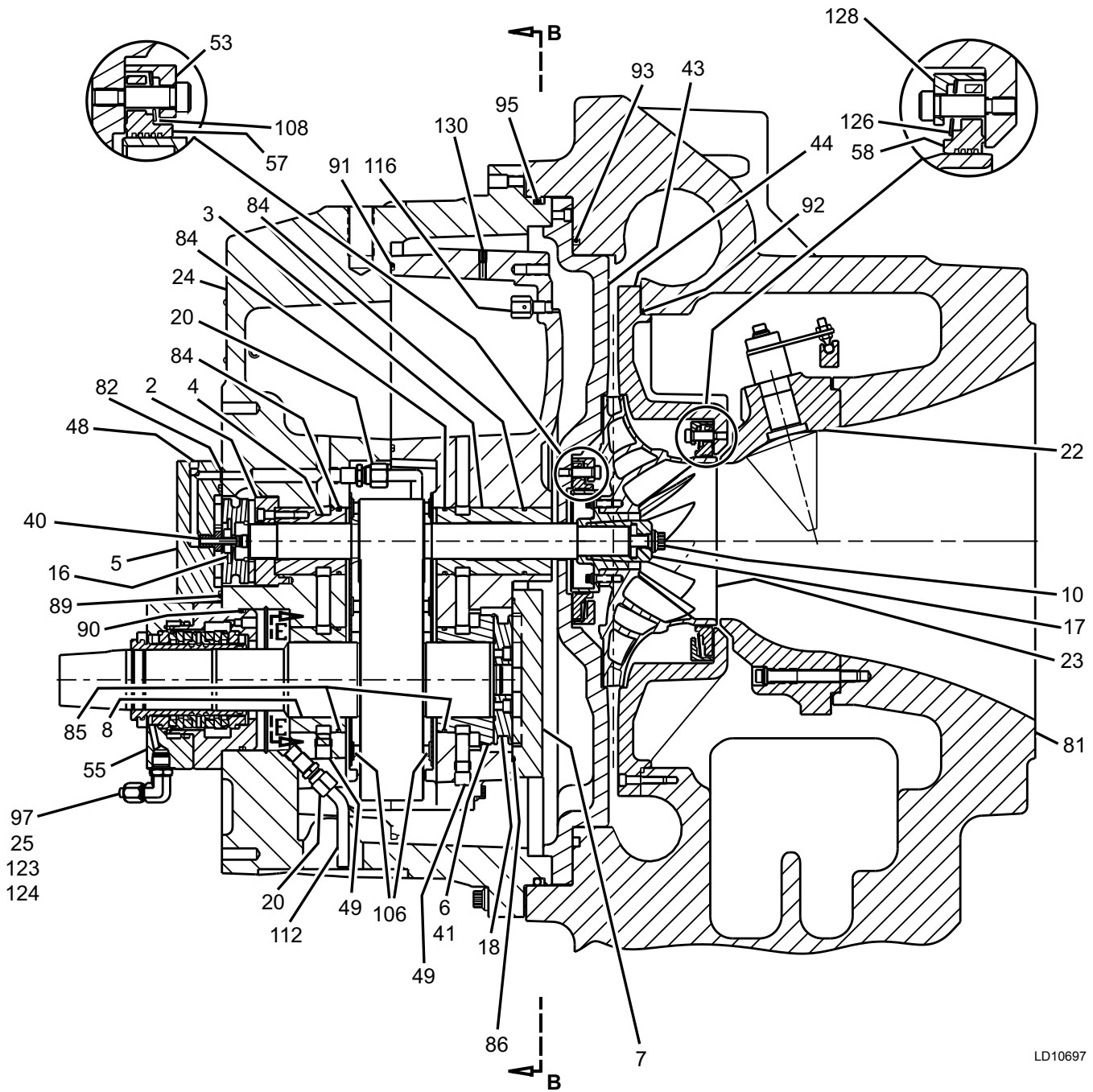
TABLE 5 - (364 50757 XXX) WITHOUT VGD (CONT'D)

ITEM	DESCRIPTION	PART NUMBER	QUANTITY
111	Plug, Hex HD 1-1/16"	023 18295 000	1
112	Tube, Oil Drain	064 49154 000	1
113	Tube, Oil Feed External	064 49619 000	1
114	Tube, Oil Feed Internal	064 49621 000	1
115	Tube, Oil Return	064 49620 000	1
116	Valve, Check Oil 1/8" NPTE	022 04444 000	1
117	Valve, Stop Angle Vertical	022 09578 000	1
119†	Seal, O-Ring Neoprene	028 12961 000	1
121	Lockwash, Helical Spring 1/4" Reg	021 05267 000	2
122	Washer, Special PRV	064 48503 000	1
123	Nut, Flare Hydraulic 1/4" OD	023 09670 000	1
124	Sleeve, Flare Hydraulic 1/4" OD	023 10000 000	1
126	Washer, Spring Eye	064 50388 000	1
128	Retainer, Eye Seal Washer	064 50387 000	1
130	Orifice, Set Screw	064 51402 000	1
131†	Seal, O-Ring Neoprene	028 12961 005	1
—	O-Ring Kit Q7	464 50435 000	1
—	Bearing Kit Q7	464 51890 000	1

* Included in Bearing Kit

† Included in O-Ring Kit

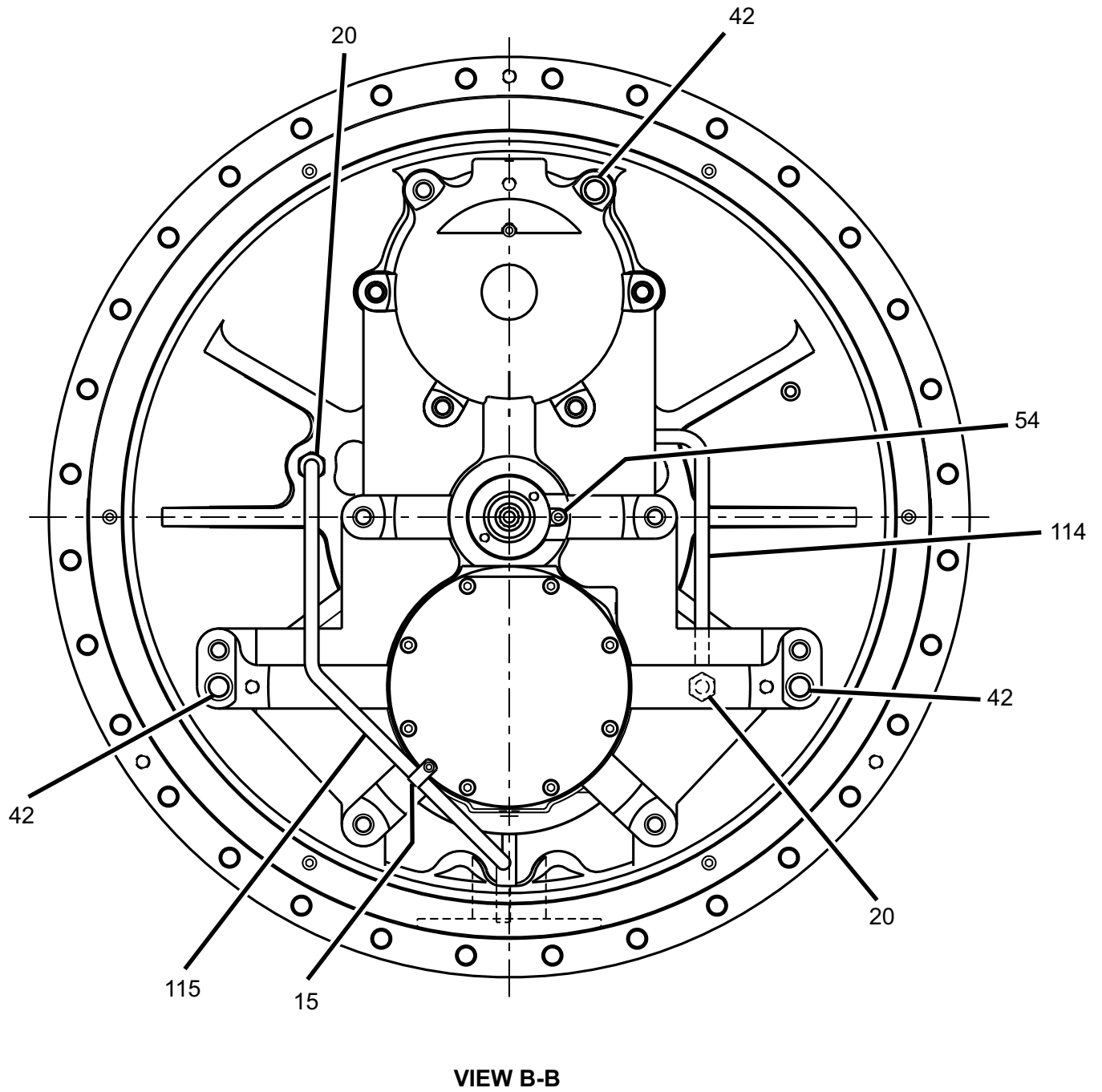
Q7 COMPRESSOR (CONT'D) (364 50757 XXX)



LD10697

FIGURE 13 - Q7 COMPRESSOR WITHOUT VGD

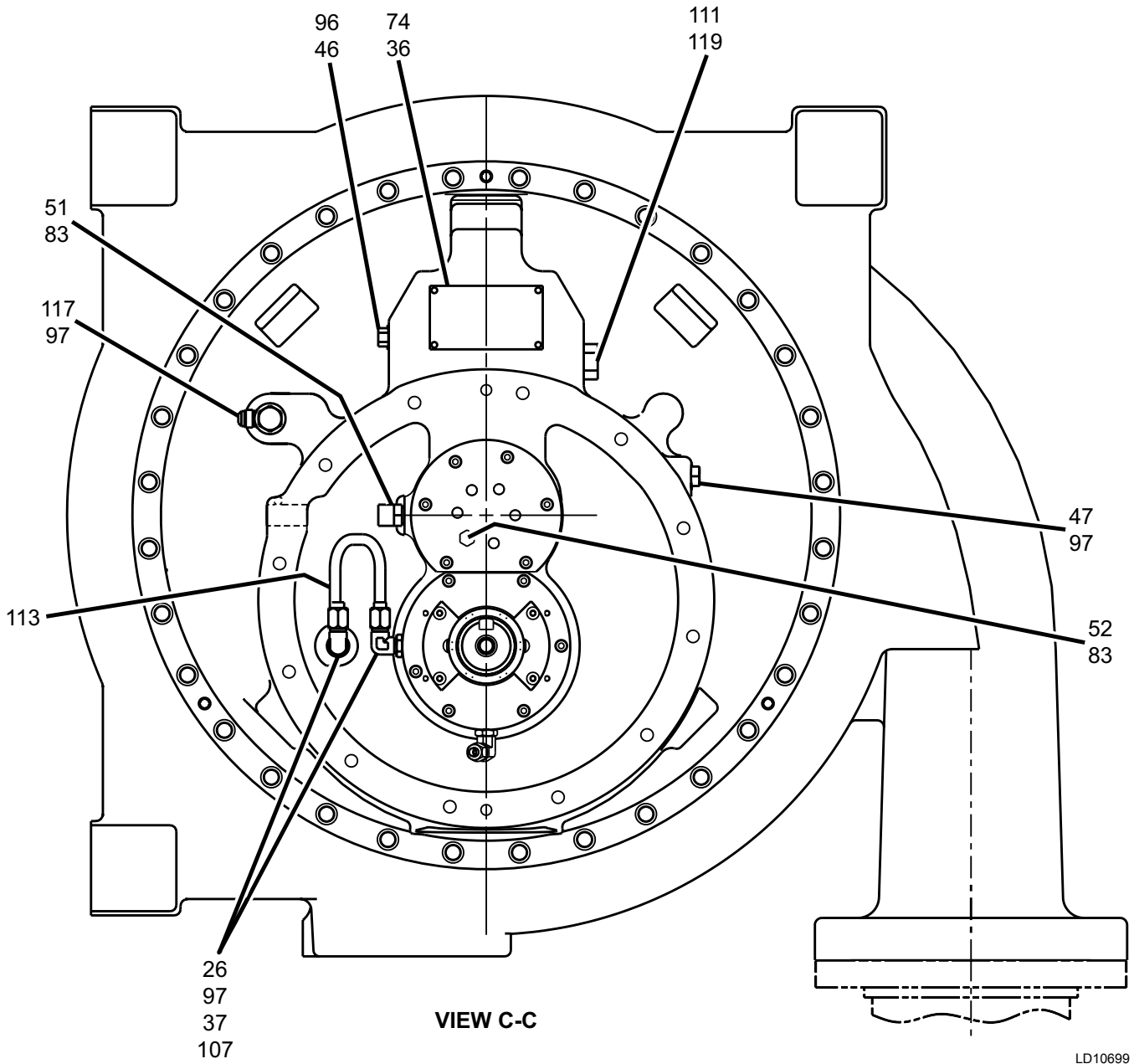
Q7 COMPRESSOR (CONT'D) (364 50757 XXX)



LD10698

FIGURE 14 - Q7 COMPRESSOR WITHOUT VGD

Q7 COMPRESSOR (CONT'D) (364 50757 XXX)



LD10699

FIGURE 15 - Q7 COMPRESSOR WITHOUT VGD

Q7 COMPRESSOR (CONT'D) (364 50757 XXX)

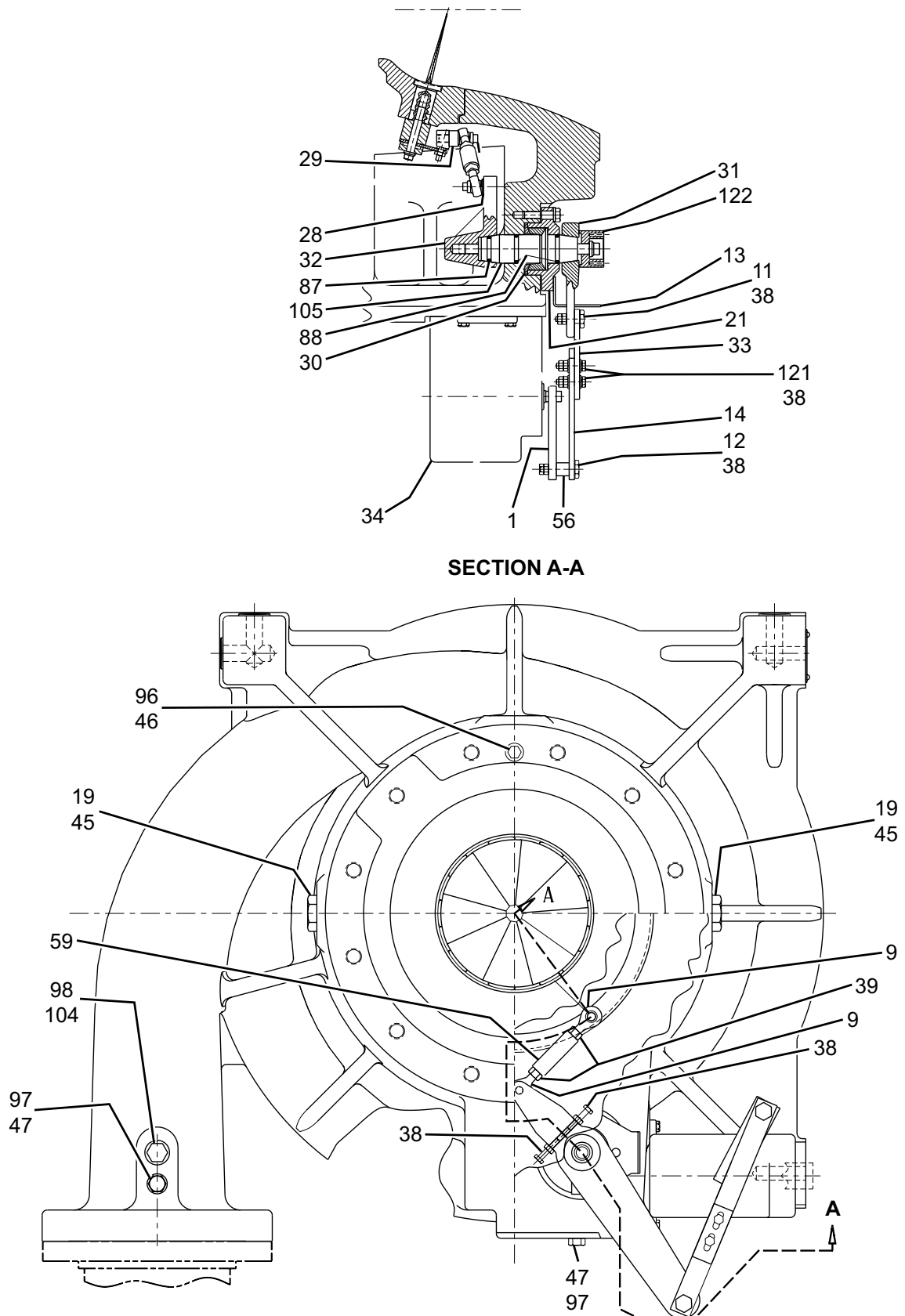


FIGURE 16 - Q7 COMPRESSOR WITHOUT VGD

LD10700

DEVICE PRE-ROTATION

TABLE 6 - MODEL Q7 (365 50757 XXX)

ITEM	DESCRIPTION	PART NUMBER	QUANTITY
-	Device, Pre-Rotation Q7	364 50383 007	-
1	Ring, Vane Driving	064 47926 000	1
2	Washer, Plain Lt 17/64 ID 1/2	021 11973 000	10
3	Stud, Ball 1/4-28 UNF	029 15924 000	9
4	Arm, Vane PRV	064 47952 000	9
5	Nut, Self Lock 1/4-28 UNF	021 12943 000	9
6	Washer, Special 25/64	064 09289 000	9
8	Vane, Pre-Rotation	029 22449 000	9
9	Spacer, Arm PRV HD 46/50	064 49205 000	9
10	Screw, Cap 12pt HD 3/8	021 11956 000	9
11	Housing, Q7	064 50385 000	1

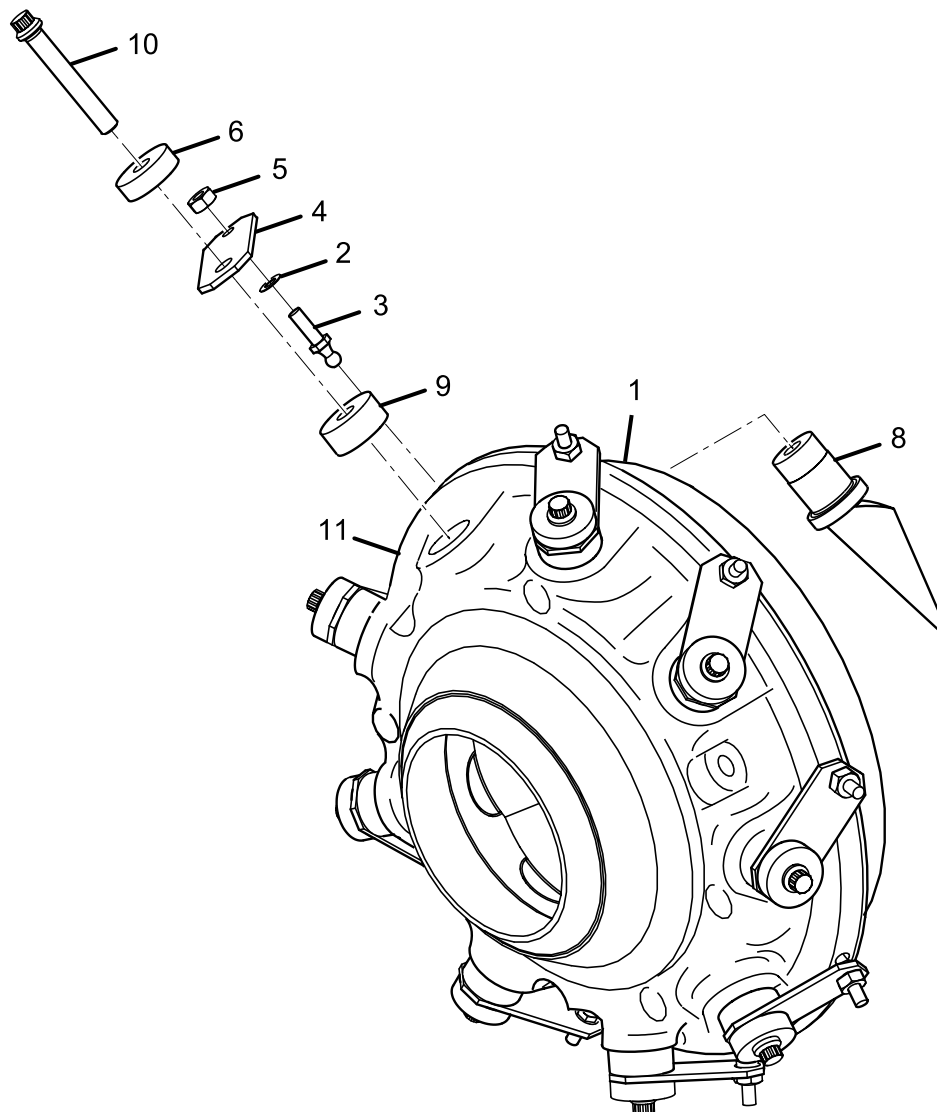


FIGURE 17 - DEVICE PRE-ROTATION (Q7)

LD12363

Q7 COMPRESSOR (NEW)

TABLE 7 - Q7 WITHOUT VGD (364 51559 XXX)

ITEM	DESCRIPTION	PART NUMBER	QUANTITY
1	Impr 5.20 Eye Hard Coat Q7	364 51602 001	1
2	Collar Impeller Clamp	064 51699 000	1
3	Screw Special	064 50052 000	1
4*	Brg H.S. Front Hf	064 50065 000	1
5*	Brg H.S. Rear Hf	064 50064 000	1
6†	O-Ring Neo1 01.987id .103thk M	028 14419 000	3
7	Retnr Brg S Stage Turbo	064 46886 000	2
9*	Brg H.S. Forward Thrust Hf	029 22936 000	1
11	Collar H.S. Thrust Hf	064 49636 001	1
12*	Bearing H.S. Reverse Thrust	029 22937 001	1
13	Orifice H.S. Oil Feed Hf	064 49650 000	1
14	Plug Hollow Hex 5/16-24unf-2a	023 24908 000	2
15†	O-Ring Neo1 00.301id .070thk M	028 12513 000	2
16†	O-Ring Neo1 03.484id .139thk M	028 14404 000	1
18*	Brg L.S. Front Hf	064 50085 000	1
19*	Pin Slot Spg 3/16 X 1/2	029 04138 000	1
20*	Brg L.S. Rear Hf	064 50084 000	1
21†	O-Ring Neo1 03.237id .103thk M	028 14420 000	2
22	Brg L.S. Thrust Hf	029 22935 000	1
23†	O-Ring Neo1 05.237id .103thk M	028 14403 000	1
24	Collar L.S. Thrust Hf	064 49637 000	1
26	Seal Double Shaft Hf	029 22938 000	1
27†	O-Ring Neo1 04.359id .139thk M	028 13111 000	1
29	Ring Eye Seal Q7	064 50368 000	1
30	Washer Spring He 52 Eye	064 50388 000	1
31	Retnr Eye Seal Washer He52	064 50387 000	1
32	Screw Shoulder Soc Hd	021 17557 000	6
33	Ring Bal.Pist. Seal Q7	064 50748 000	1
34	Washer Spring Hf52 Bal. Piston	064 50749 000	1
35	Retnr B.P. Seal Washer Hf52	064 50747 000	1
36	Slinger Oil Q7	064 51585 000	1
37	Plate Slinger Mtg Q7	064 51586 000	1
39†	O-Ring Neo1 01.109id .139thk M	028 12200 000	4
40	Orifice Pipe Plug Yk Compr	064 51852 000	1
41	Valve Check Oil 1/8 Npte	022 04444 000	1
42	Plug Pipe 1/4 Hex Socket	023 01973 000	2
43	Shield Hf	064 49638 000	2
46†	O-Ring Neo1 05.984id .139thk M	028 14405 000	1
47	Connr Instm 3/8 Tube X	023 12229 000	4
48	Tube Oil Drain Hd 46-61	064 49154 000	1
49	Tube Oil Return Hf	064 49620 000	1

* Included in Bearing Kit

† Included in O-Ring Kit

Q7 COMPRESSOR (NEW)

TABLE 7 - Q7 WITHOUT VGD (364 51559 XXX) CONT'D

ITEM	DESCRIPTION	PART NUMBER	QUANTITY
50	Clamp Tube 3/8 Od	023 05284 000	1
51	Tube Oil Feed Internal Hf	064 49621 000	1
54	Pin Dowel Tapped 3/8 Dia	029 18459 000	3
55†	O-Ring Neo1 21.955id .275thk M	028 14406 000	1
57†	O-Ring Neo1 19.955id .210thk M	028 14413 000	1
58†	O-Ring Neo1 13.984id .139thk M	028 15581 000	1
60†	O-Ring Neo1 22.940id .275thk M	028 15438 000	1
62	Elbow Flare Hydraulic 3/8 Od	023 18920 000	2
63†	O-Ring Neo1 00.468id .078thk M	028 12961 003	10
64	O-Ring Hnbr 00.239id .064thk M	028 15846 000	2
66	Tubing, Oil Feed	364 52414 000	1
67	Elbow Flare Hydraulic 1/4 Od	023 20242 000	1
68	Nut Flare Hydraulic 1/4 Od	023 09670 000	1
69	Sleeve Flare Hydraulic 1/4 Od	023 10000 000	1
70	Probe Pressure Switch	025 34535 001	1
71†	O-Ring Neo1 00.301id .064thk M	028 12961 021	2
74	Plug Hex Hd 9/16	023 18962 000	6
75	Plug Hex Hd	023 20217 000	1
76	Plug Hex Hd 3/4	023 18280 000	2
77†	O-Ring Neo1 00.644id .087thk M	028 12961 004	2
78	Plug Hex Hd 7/16	023 18279 000	1
79†	O-Ring Neo1 00.351id .072thk M	028 12961 001	1
80	Valve Stop Ang Vertical	022 09578 000	1
81	Plug Hex Hd 1-1/16	023 18295 000	1
82†	O-Ring Neo1 00.924id .116thk M	028 12961 006	1
83	Plug Hex Hd 1-5/16	023 18282 000	3
84†	O-Ring Neo1 01.171id .116thk M	028 12961 008	3
86	Fillpiece Pretot Device	064 47935 000	2
89	Rod, Adjustable PRV & VGD	364 51753 714	1
90	Lever Internal	064 51594 000	1
91	Shaft Contl Prerot Device	364 51672 000	1
92	Cover Shaft Control	064 51671 000	1
94	Bracket Support Lower PRV	064 48851 000	1
95	Lever PRV External	064 51703 000	1
96	Link External	064 51619 000	2
102	Spacer Flanged, PRV & VGD	064 50612 000	2
103	Spacer .50 Lg X .33 Id X .63od	064 50611 000	2
105	Arm PRV Motor	064 51704 000	1
107	Wiring PRV Motor Actuator	375 49340 101	1
107A	Motor Actuator 150 450 In	025 17175 002	1
107B	Harness System Wiring	075 49340 222	1

* Included in Bearing Kit † Included in O-Ring Kit

Q7 COMPRESSOR (NEW)

TABLE 7 - Q7 WITHOUT VGD (364 51559 XXX) CONT'D

ITEM	DESCRIPTION	PART NUMBER	QUANTITY
108†	O-Ring Neop 02.234id .139thk M	028 03803 000	1
109	Plug PRV Assembly	064 50632 000	1
110†	O-Ring Neo1 00.755id .097thk M	028 12961 005	1
111	Dowel Pin Str	029 24130 000	1
121	Cover VGD Shaft	064 51197 000	1
126	Nameplate, Data Compr	029 21398 000	1
127†	O-Ring Neo1 02.112id .103thk M	028 15432 000	1
128	Cap Sealing, Caplug 2,	028 05004 000	6
135	O-Ring Hnbr 02.109id .139thk M	028 15845 000	1
193	Device PRV Q7	364 51554 007	1
300	Compr Large Parts Q7	164 51559 307	1
—	O-Ring Kit Q7	464 51893 000	1
—	Bearing Kit Q7	464 51890 000	1

* Included in Bearing Kit † Included in O-Ring Kit

Q7 COMPRESSOR (CONT'D)

(364 51559 XXX)

(NEW)

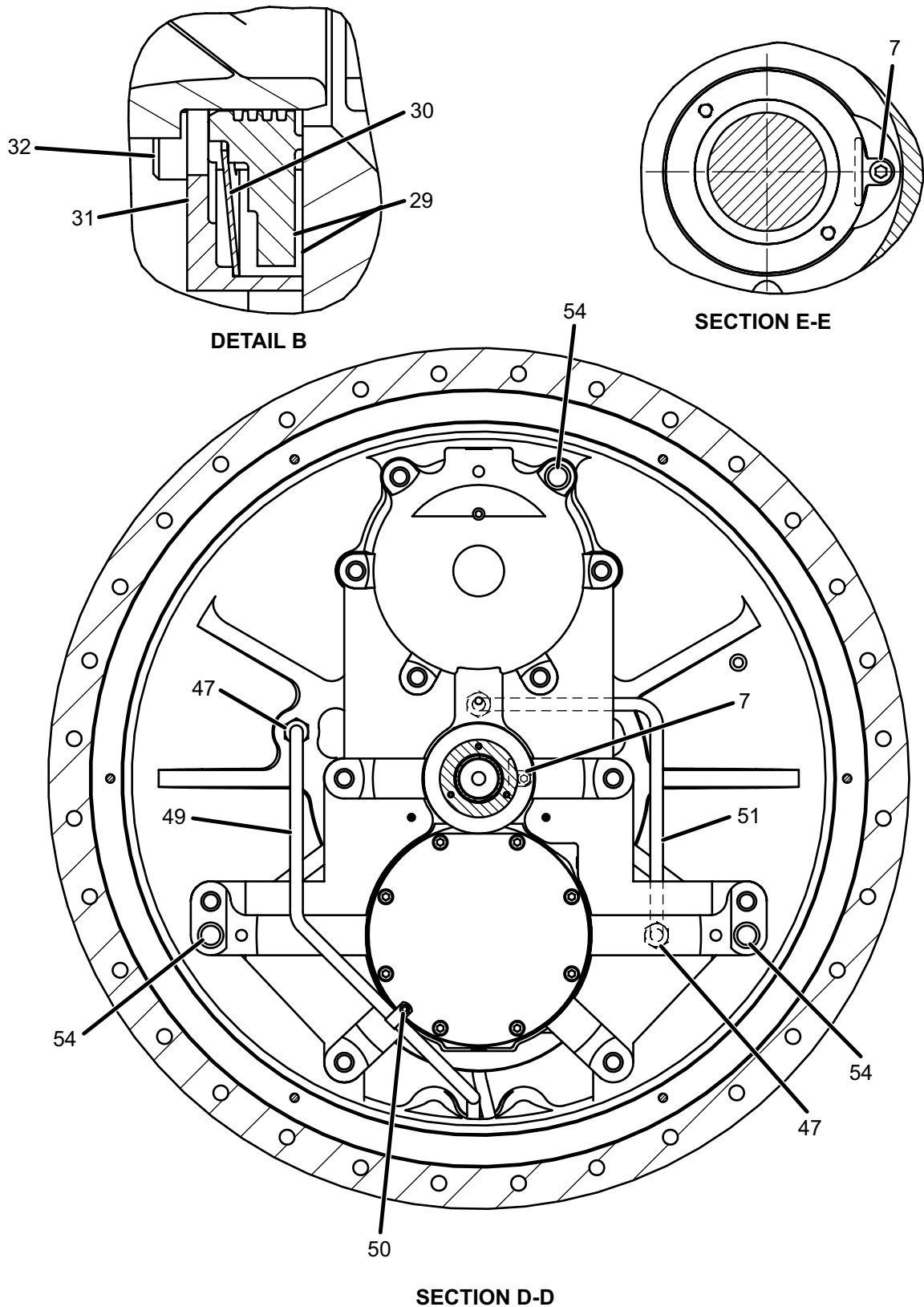
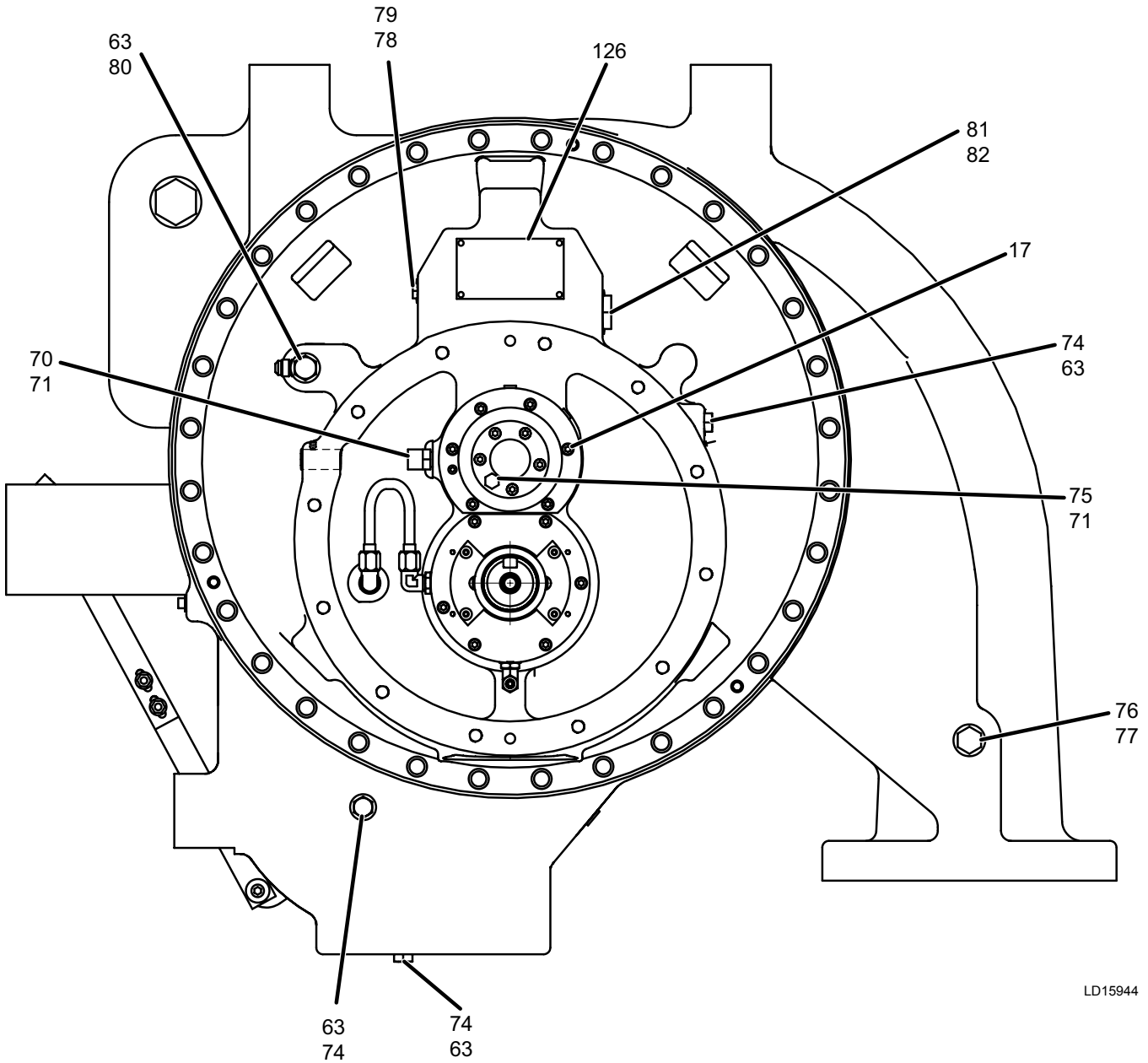


FIGURE 19 - Q7 COMPRESSOR WITHOUT VGD

LD15943b

Q7 COMPRESSOR (CONT'D)
(364 51559 XXX)
(NEW)



LD15944

FIGURE 20 - Q7 COMPRESSOR WITHOUT VGD

Q7 COMPRESSOR (CONT'D)

(364 51559 XXX)

(NEW)

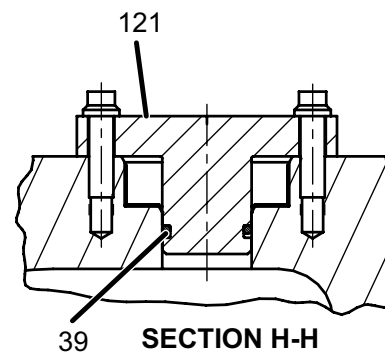
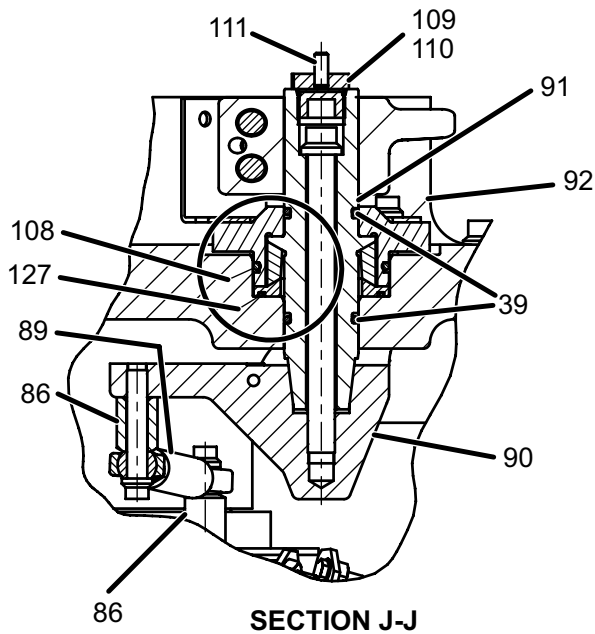
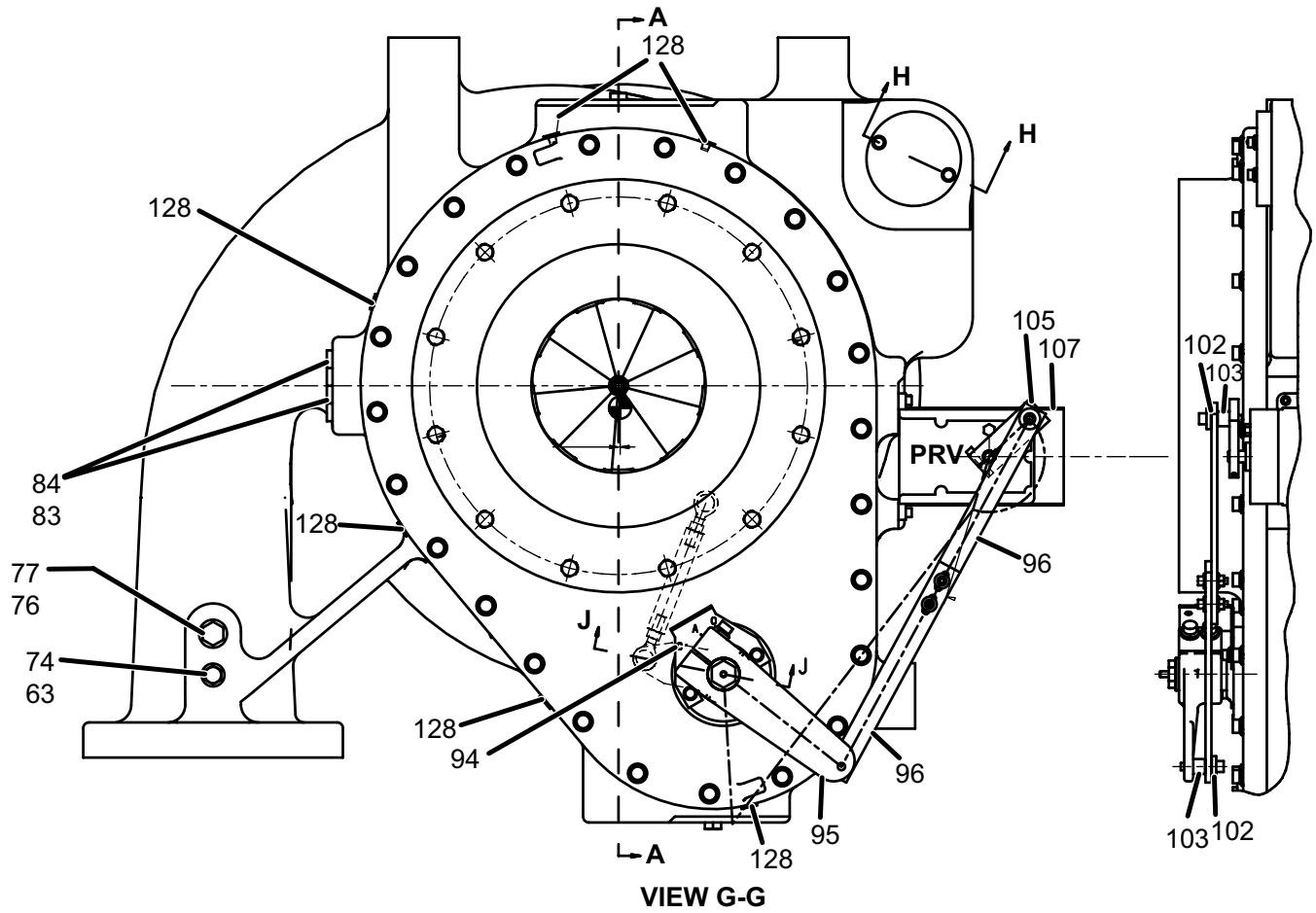


FIGURE 21 - Q7 COMPRESSOR WITHOUT VGD

LD15945

Q7 COMPRESSOR (CONT'D)
(364 51559 XXX)
(NEW)

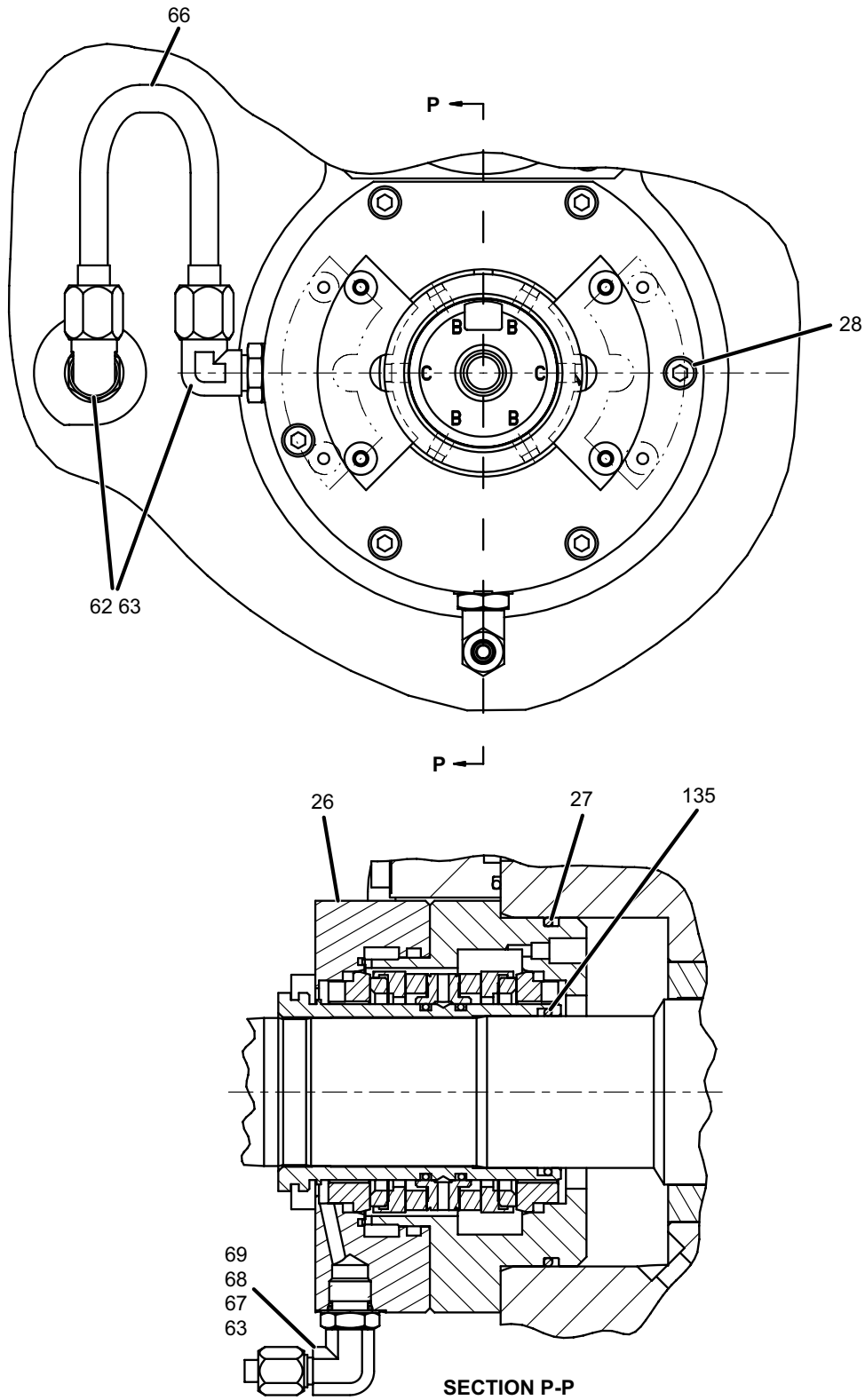


FIGURE 22 - Q7 COMPRESSOR WITHOUT VGD

LD15967

TABLE 8 - Q7 WITH VGD (364 51560 XXX)

ITEM	DESCRIPTION	PART NUMBER	QUANTITY
1	Impr 5.20 Eye Hard Coat Q7	364 51602 001	1
2	Collar Impeller Clamp	064 51699 000	1
3	Screw Special	064 50052 000	1
4*	Brg H.S. Front Hf	064 50065 000	1
5*	Brg H.S. Rear Hf	064 50064 000	1
6†	O-Ring Neo1 01.987id .103thk M	028 14419 000	3
7	Retnr Brg S Stage Turbo	064 46886 000	2
9*	Brg H.S. Forward Thrust Hf	029 22936 000	1
11	Collar H.S. Thrust Hf	064 49636 001	1
12*	Bearing H.S. Reverse Thrust	029 22937 001	1
13	Orifice H.S. Oil Feed Hf	064 49650 000	1
14	Plug Hollow Hex 5/16-24unf-2a	023 24908 000	2
15†	O-Ring Neo1 00.301id .070thk M	028 12513 000	2
16†	O-Ring Neo1 03.484id .139thk M	028 14404 000	1
17	Screw Cap Hex Soc Hd 1/4	021 18994 000	10
18*	Brg L.S. Front Hf	064 50085 000	1
19*	Pin Slot Spg 3/16 X 1/2	029 04138 000	1
20*	Brg L.S. Rear Hf	064 50084 000	1
21†	O-Ring Neo1 03.237id .103thk M	028 14420 000	2
22	Brg L.S. Thrust Hf	029 22935 000	1
23†	O-Ring Neo1 05.237id .103thk M	028 14403 000	1
24	Collar L.S. Thrust Hf	064 49637 000	1
26	Seal Double Shaft Hf	029 22938 000	1
27†	O-Ring Neo1 04.359id .139thk M	028 13111 000	1
29	Ring Eye Seal Q7	064 50368 000	1
30	Washer Spring He 52 Eye	064 50388 000	1
31	Retnr Eye Seal Washer He52	064 50387 000	1
32	Screw Shoulder Soc Hd	021 17557 000	6
33	Ring Bal.Pist. Seal Q7	064 50748 000	1
34	Washer Spring Hf52 Bal. Piston	064 50749 000	1
35	Retnr B.P. Seal Washer Hf52	064 50747 000	1
36	Slinger Oil Q3 - Q7	064 51585 000	1
37	Plate Slinger Mtg Q3 - Q7	064 51586 000	1
39†	O-Ring Neo1 01.109id .139thk M	028 12200 000	5
40	Orifice Pipe Plug Yk Compr	064 51852 000	1
41	Valve Check Oil 1/8 Npte	022 04444 000	1
42	Plug Pipe 1/4 Hex Socket	023 01973 000	2
43	Shield Hf	064 49638 000	2
46†	O-Ring Neo1 05.984id .139thk M	028 14405 000	1
47	Connr Instm 3/8 Tube X	023 12229 000	4
48	Tube Oil Drain Hd 46-61	064 49154 000	1
49	Tube Oil Return Hf	064 49620 000	1
50	Clamp Tube 3/8 Od	023 05284 000	1
51	Tube Oil Feed Internal Hf	064 49621 000	1

* Included in Bearing Kit † Included in O-Ring Kit

TABLE 9 - Q7 WITH VGD (364 51560 XXX) CONT'D

ITEM	DESCRIPTION	PART NUMBER	QUANTITY
54	Pin Dowel Tapped 3/8 Dia	029 18459 000	3
55†	O-Ring Neo1 21.955id .275thk M	028 14406 000	1
57†	O-Ring Neo1 19.955id .210thk M	028 14413 000	1
58†	O-Ring Neo1 13.984id .139thk M	028 15581 000	1
60†	O-Ring Neo1 22.940id .275thk M	028 15438 000	1
62	Elbow Flare Hydraulic 3/8 Od	023 18920 000	2
63†	O-Ring Neo1 00.468id .078thk M	028 12961 003	10
64†	O-Ring Hnbr 00.239id .064thk M	028 15846 000	2
66	Tubing, Oil Feed	364 52414 000	1
67	Elbow Flare Hydraulic 1/4 Od	023 20242 000	1
68	Nut Flare Hydraulic 1/4 Od	023 09670 000	1
69	Sleeve Flare Hydraulic 1/4 Od	023 10000 000	1
70	Probe Pressure Switch	025 34535 001	1
71†	O-Ring Neo1 00.301id .064thk M	028 12961 021	2
74	Plug Hex Hd 9/16	023 18962 000	6
75	Plug Hex Hd	023 20217 000	1
76	Plug Hex Hd 3/4	023 18280 000	2
77†	O-Ring Neo1 00.644id .087thk M	028 12961 004	2
78	Plug Hex Hd 7/16	023 18279 000	1
79†	O-Ring Neo1 00.351id .072thk M	028 12961 001	1
80	Valve Stop Ang Vertical	022 09578 000	1
81	Plug Hex Hd 1-1/16	023 18295 000	1
82†	O-Ring Neo1 00.924id .116thk M	028 12961 006	1
83	Plug Hex Hd 1-5/16	023 18282 000	3
84†	O-Ring Neo1 01.171id .116thk M	028 12961 008	3
86	Fillpiece Pretot Device	064 47935 000	2
89	Rod, Adjustable PRV & VGD	364 51753 714	1
90	Lever Internal	064 51594 000	1
91	Shaft Contl Prerot Device	364 51672 000	1
92	Cover Shaft Control	064 51671 000	2
94	Bracket Support Lower PRV	064 48851 000	1
95	Lever PRV External	064 51703 000	2
96	Link External	064 51619 000	2
98	Spacer .38 Lg .33 Id X .63 Od	064 51593 000	2
100	Nut Hex 1/4 - 20 Unc-2b:	021 00450 000	4
102	Spacer Flanged, PRV & VGD	064 50612 000	4
103	Spacer .50 Lg X .33 Id X .63od	064 50611 000	2
105	Arm Prv Motor	064 51704 000	1
107	Wiring Prv Motor Actuator	375 49340 101	2
107A	Motor Actuator 150 450 In	025 17175 002	1
107B	Harness System Wiring	075 49340 222	1
108†	O-Ring Neop 02.234id .139thk M	028 03803 000	2
109	Plug PRV Assembly	064 50632 000	2
110†	O-Ring Neo1 00.755id .097thk M	028 12961 005	2

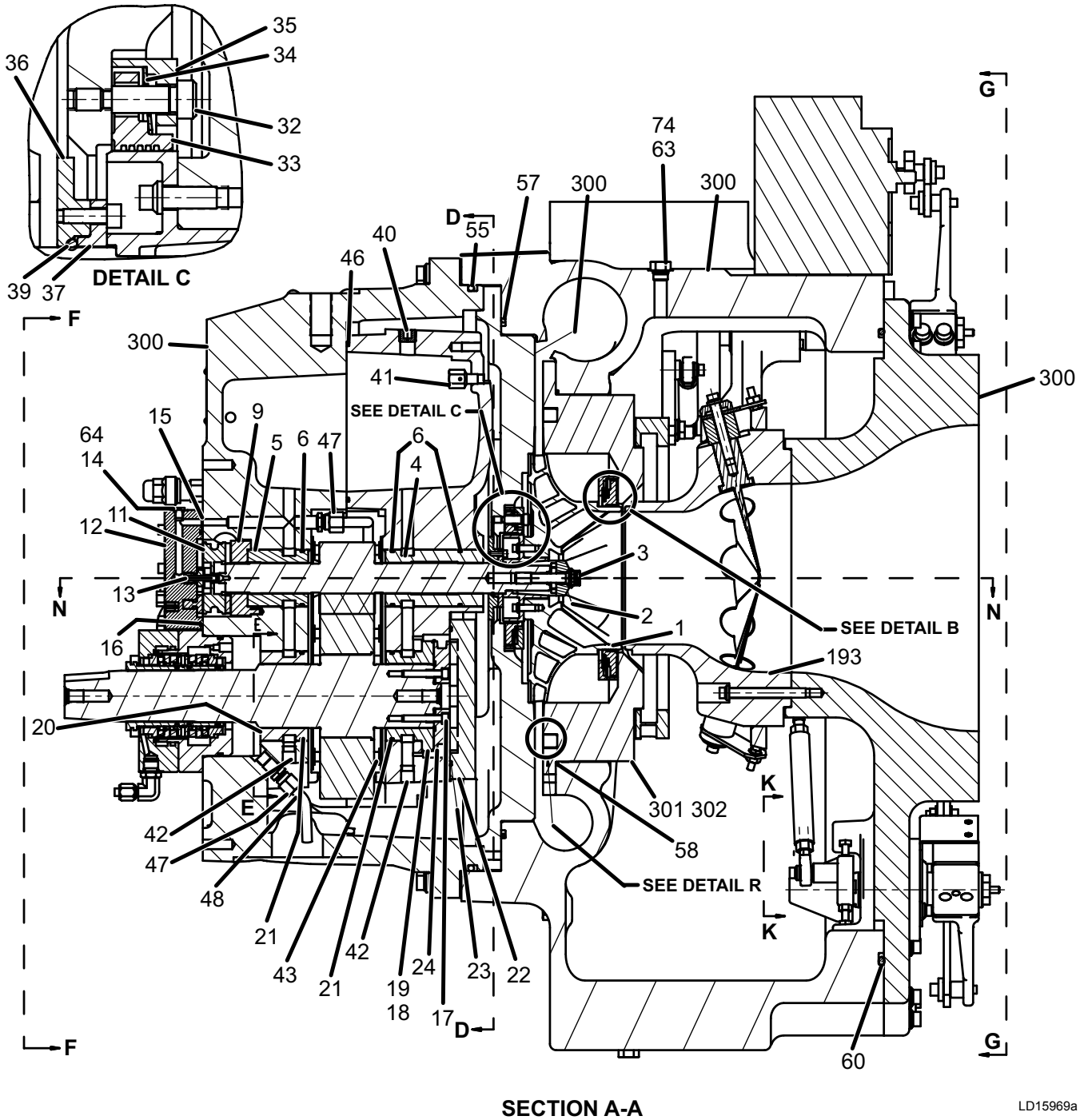
* Included in Bearing Kit † Included in O-Ring Kit

TABLE 9 - Q7 WITH VGD (364 51560 XXX) CONT'D

ITEM	DESCRIPTION	PART NUMBER	QUANTITY
111	Dowel Pin Str	029 24130 000	2
113	Tab Drive Ring Q7	064 51707 000	1
114	Arm Motor	064 51705 000	1
116	Fillpiece Prerot Device	064 10821 000	2
117	Rod, Adjustable PRV & VGD	364 51753 725	1
118	Lever Internal VGD	064 51215 000	1
119	Bushing, Garlock 16du12	029 24100 000	1
120	Shaft Contl VGD	364 51673 000	1
122	Link External	064 51620 000	1
127†	O-Ring Neo1 02.112id .103thk M	028 15432 000	2
128	Cap Sealing, Caplug 2,	028 05004 000	6
135†	O-Ring Hnbr 02.109id .139thk M	028 15845 000	1
193	Device Prv Q7	364 51554 007	1
300	Compr Large Parts Q7 VGD	164 51560 307	1
301	Plate Nozzle Base Q7 VGD	064 51682 000	1
302	Device VGD Q7	364 51680 000	1
—	O-Ring Kit Q7	464 51895 000	1
—	Bearing Kit Q7	464 51890 000	1

* Included in Bearing Kit † Included in O-Ring Kit

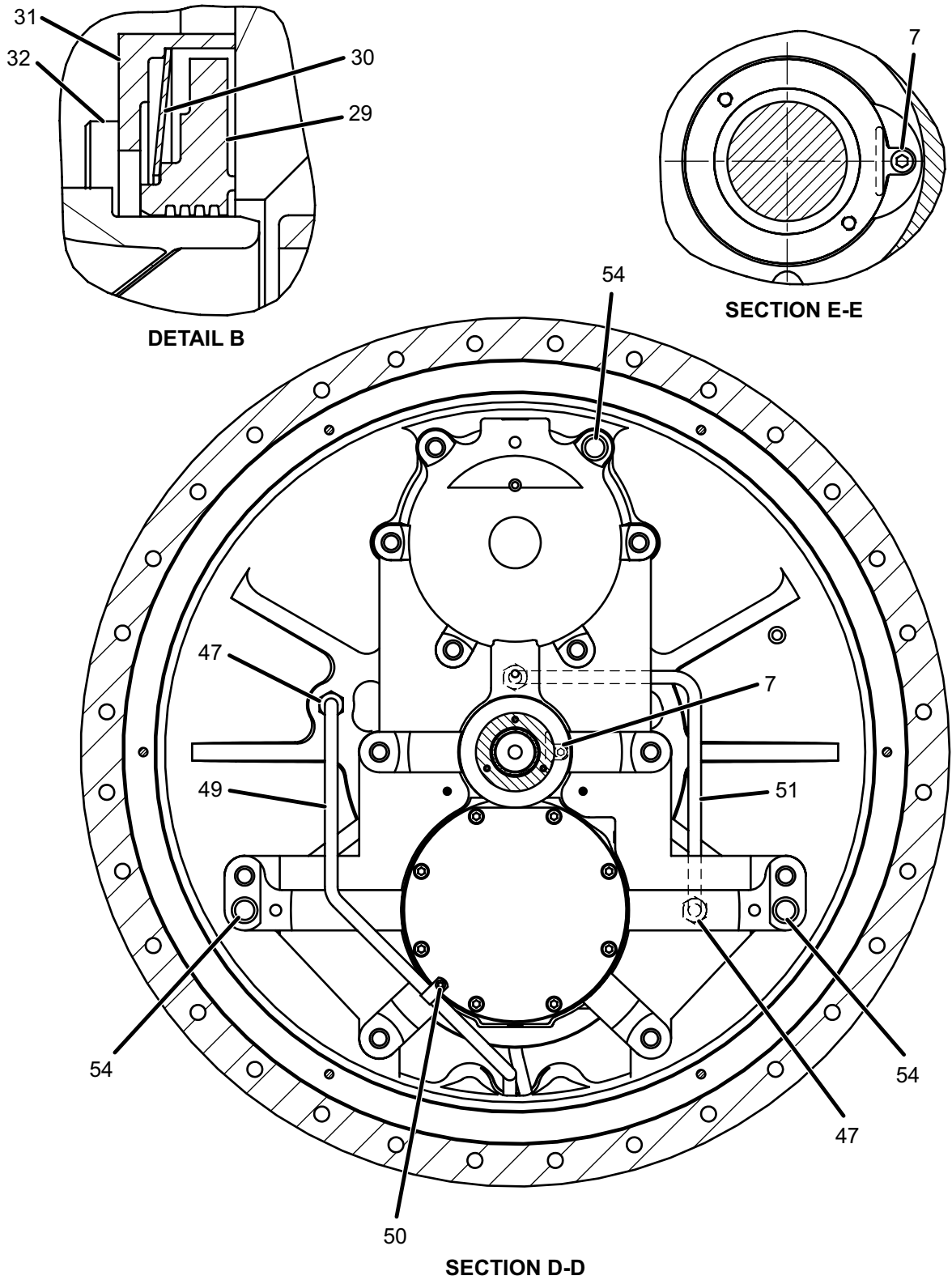
Q7 COMPRESSOR (364 51560 XXX) (NEW)



LD15969a

FIGURE 23 - Q7 COMPRESSOR WITH VGD

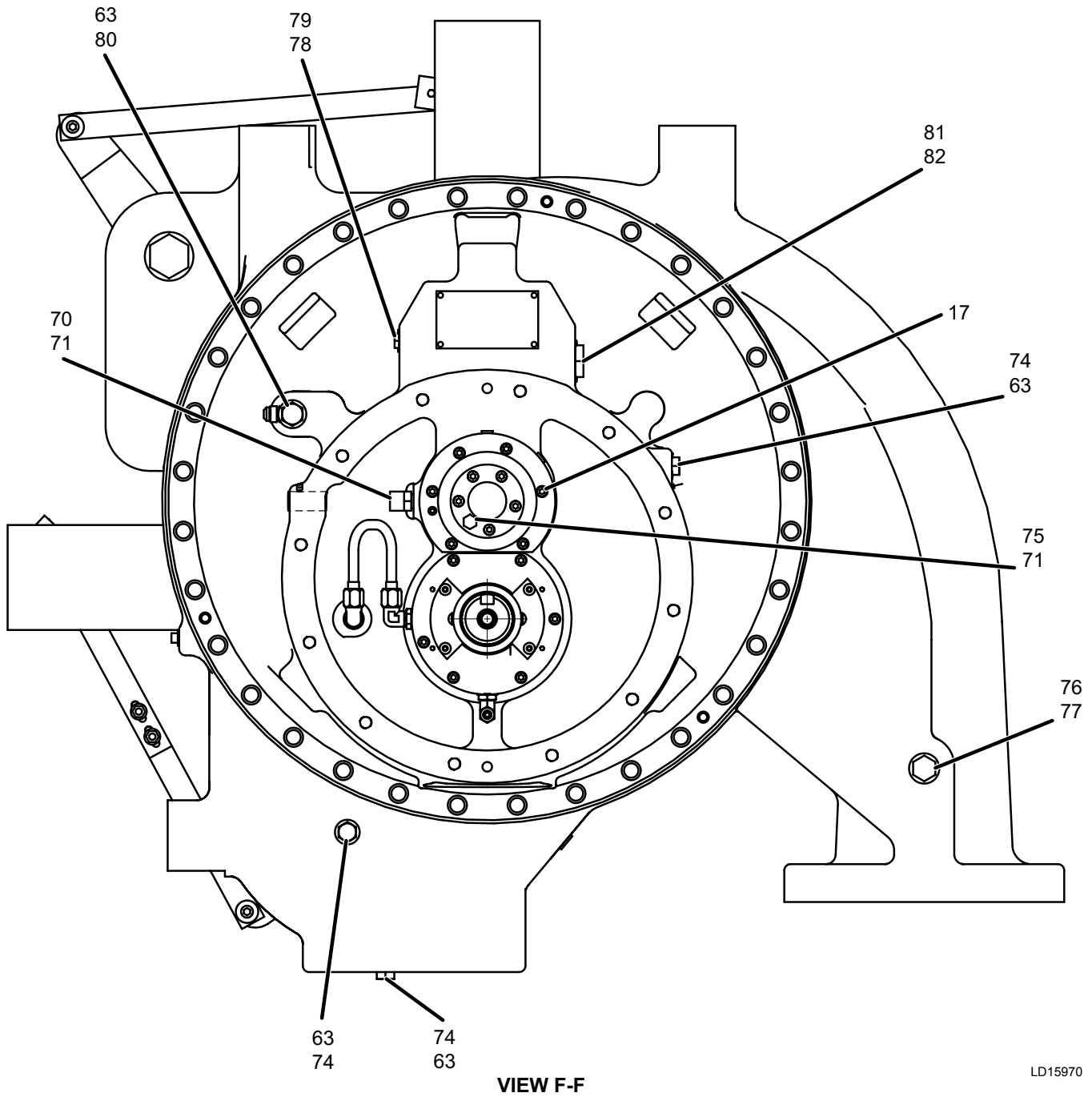
Q7 COMPRESSOR (CONT'D)
(364 51560 XXX)
(NEW)



LD15969b

FIGURE 24 - Q7 COMPRESSOR WITH VGD

Q7 COMPRESSOR (CONT'D)
(364 51560 XXX)
(NEW)



LD15970

FIGURE 25 - Q7 COMPRESSOR WITH VGD

Q7 COMPRESSOR (CONT'D)
(364 51560 XXX)
(NEW)

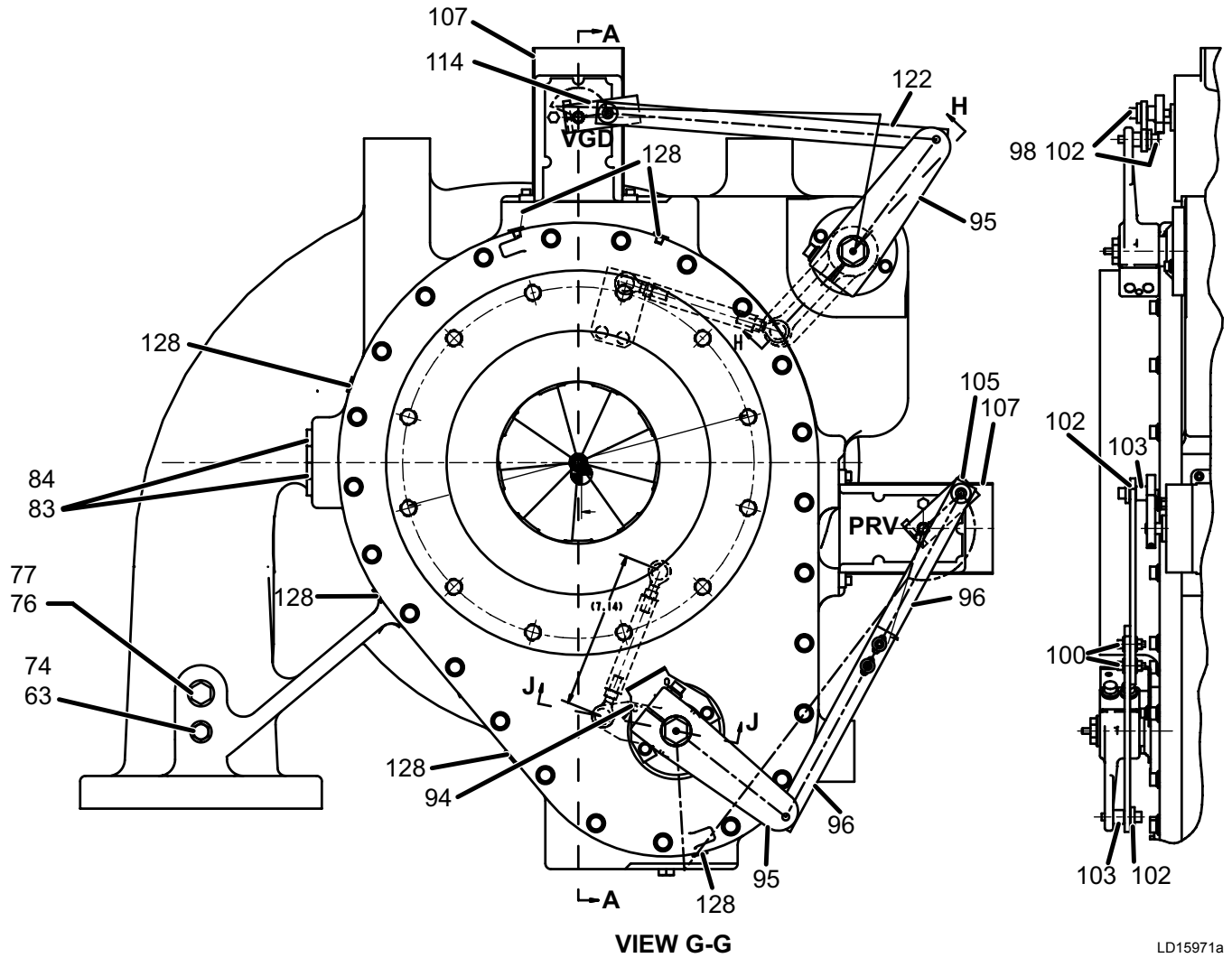
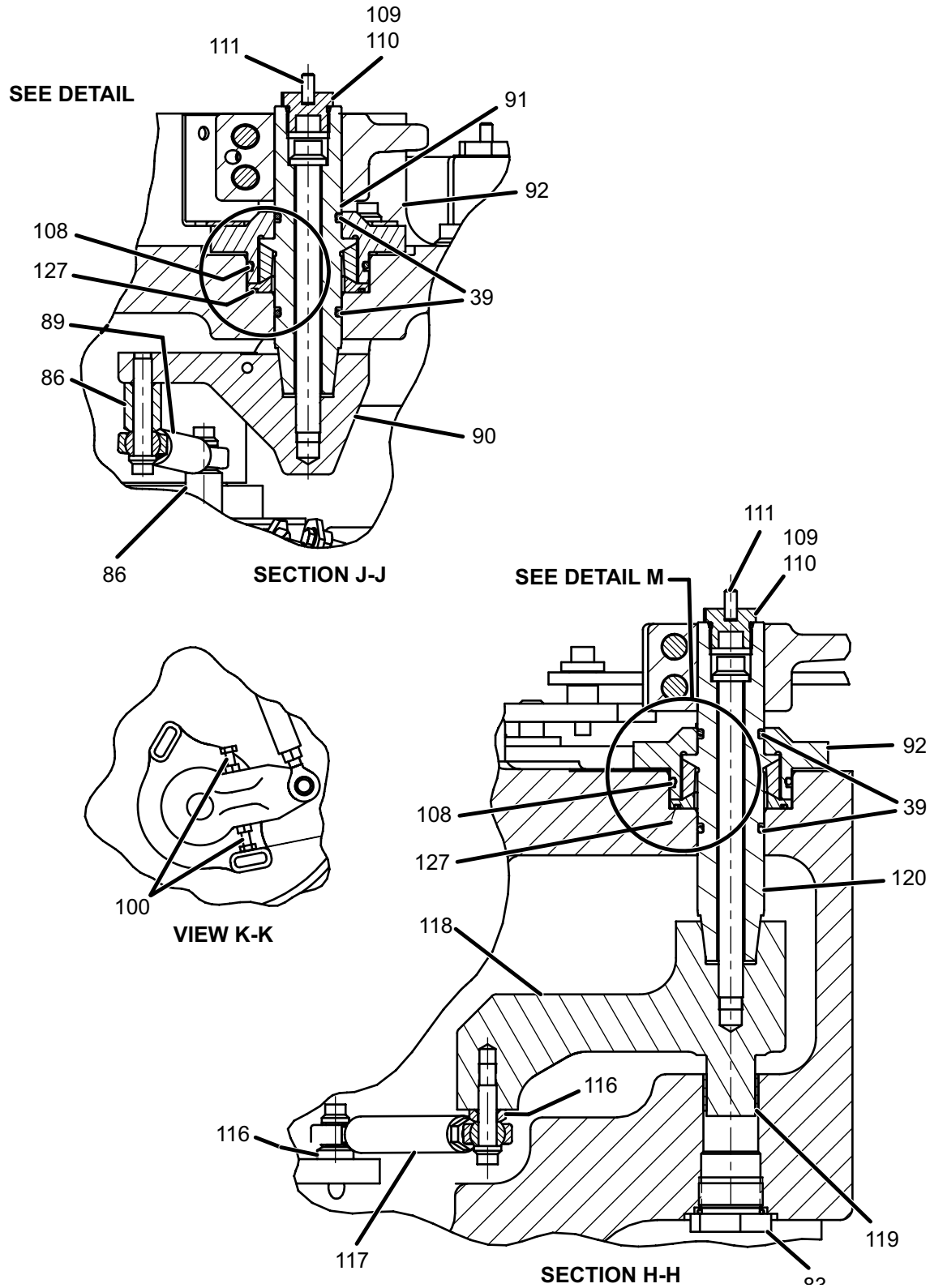


FIGURE 26 - Q7 COMPRESSOR WITH VGD

Q7 COMPRESSOR (CONT'D)

(364 51560 XXX)
(NEW)



LD15971b

FIGURE 27 - Q7 COMPRESSOR WITH VGD

Q7 COMPRESSOR (CONT'D)
(364 51560 XXX)
(NEW)

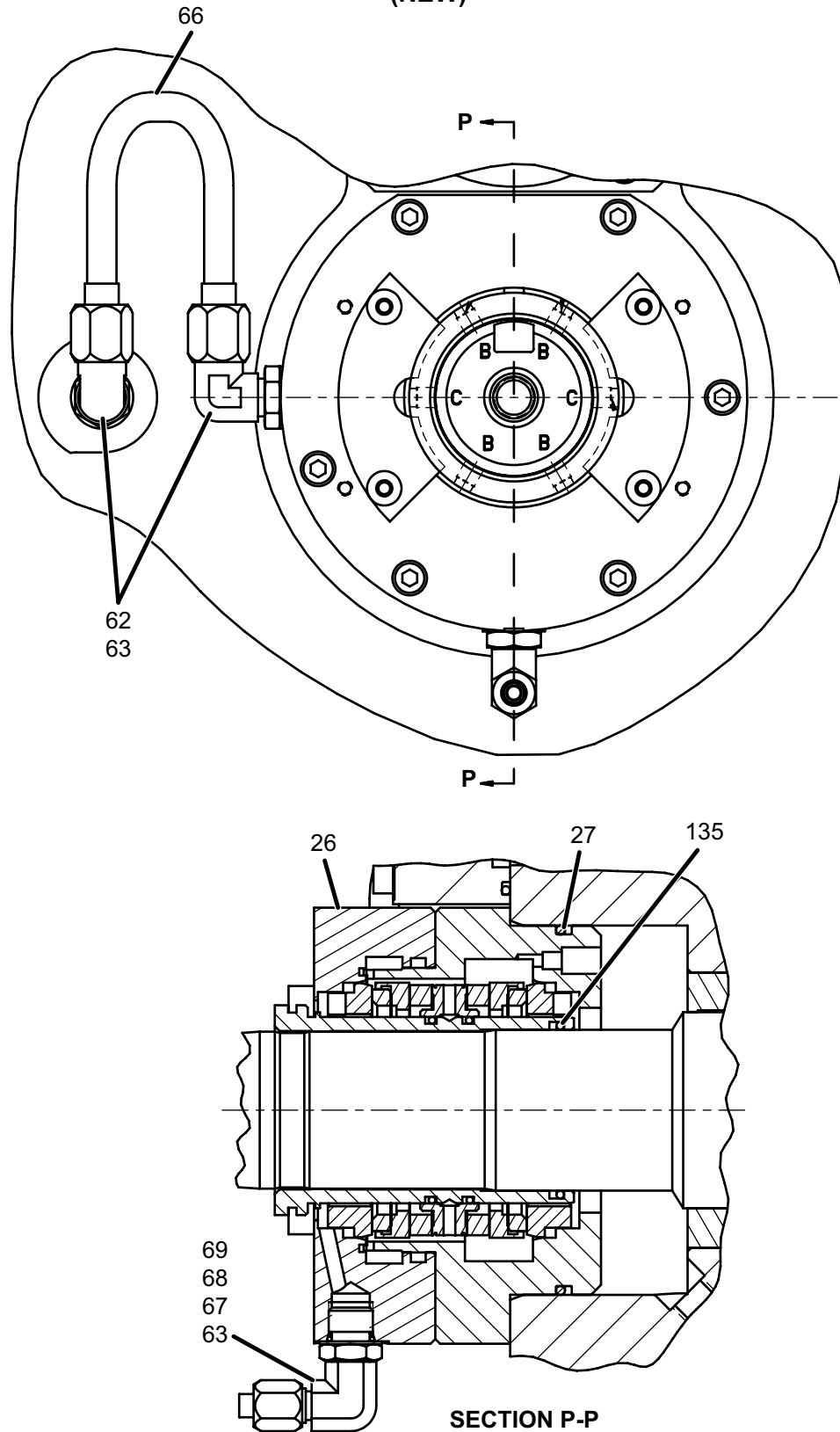


FIGURE 28 - Q7 COMPRESSOR WITH VGD

LD15973

TABLE 9 - OIL PUMP HOUSING

ITEM	DESCRIPTION	PART NUMBER	FIGURE
2	Pump, Oil 20 GPM YK	026 37937 000	17
3	Block, Oil Educator Special K	026 37533 000	17
4	Heater, Electric Immer TY (NI)	025 34523 000	17
	Heater, Electric Immer TY (N4, N12, N4X)	025 36094 000	17
5	Valve, Stop Angle Vertical	022 09578 000	17
6	Valve, Stop Angle Vertical	022 09577 000	17
7	Valve, Stop Angle Vertical	022 10054 000	17
8	Cage, Liquid Level Sight Front	026 37571 000	17
9	Sensor, Temperature 50,000 OHMS	025 33288 000	17
10	Terminal, HV Fused Glass	025 32933 000	17
11	Valve, Stop Angle Vertical	022 10047 000	17
12	Screw, Cap Hex SOC HD 3/8	021 01508 000	17
13	Seal, O-Ring Neoprene 1.734ID X .139Thk	028 05188 000	17
14	Seal, O-Ring Neoprene 1.17ID X .116Thk	028 12961 008	17
15	Seal, O-Ring Neoprene .924ID X .116Thk	028 12961 006	17
16	Seal, O-Ring Neoprene .644ID X .087Thk	028 12961 004	17
17	Seal, O-Ring Neoprene .468ID X .078Thk	028 12961 003	17
19	Seal, O-Ring 5/8 ID X 3/32 .351ID X .072Thk	028 12961 001	17
20	Seal, O-Ring Neoprene 487ID X .103Thk	028 12961 035	17
21	Box, Elec 4 Octagon X 4 Deep	025 33238 000	17
22	Cover, Filter Output Assy	375 26580 000	17
23	Screw, Mach Pan HD Recd 1	021 03741 000	17
24	Terminal, Push-on STR 14-10	025 09455 000	17
25	Strap, Cable T & B L7-50-9-M	025 09607 000	*
26	Cap, Sealing, Caplug 250	028 04574 000	*
27	Insr, Elec	025 10371 000	*
28	Ferr, Splice Cap	025 10372 000	*
29	Plate, Oil Pump MTG Machining	075 54038 000	17
30	Pin, Slot Spg 3/16 X 1/2	029 04138 000	*
31	Seal, O-Ring Neoprene 13.475ID X .275Thk	028 11977 000	17

NOTE: Items with an * are NOT represented.

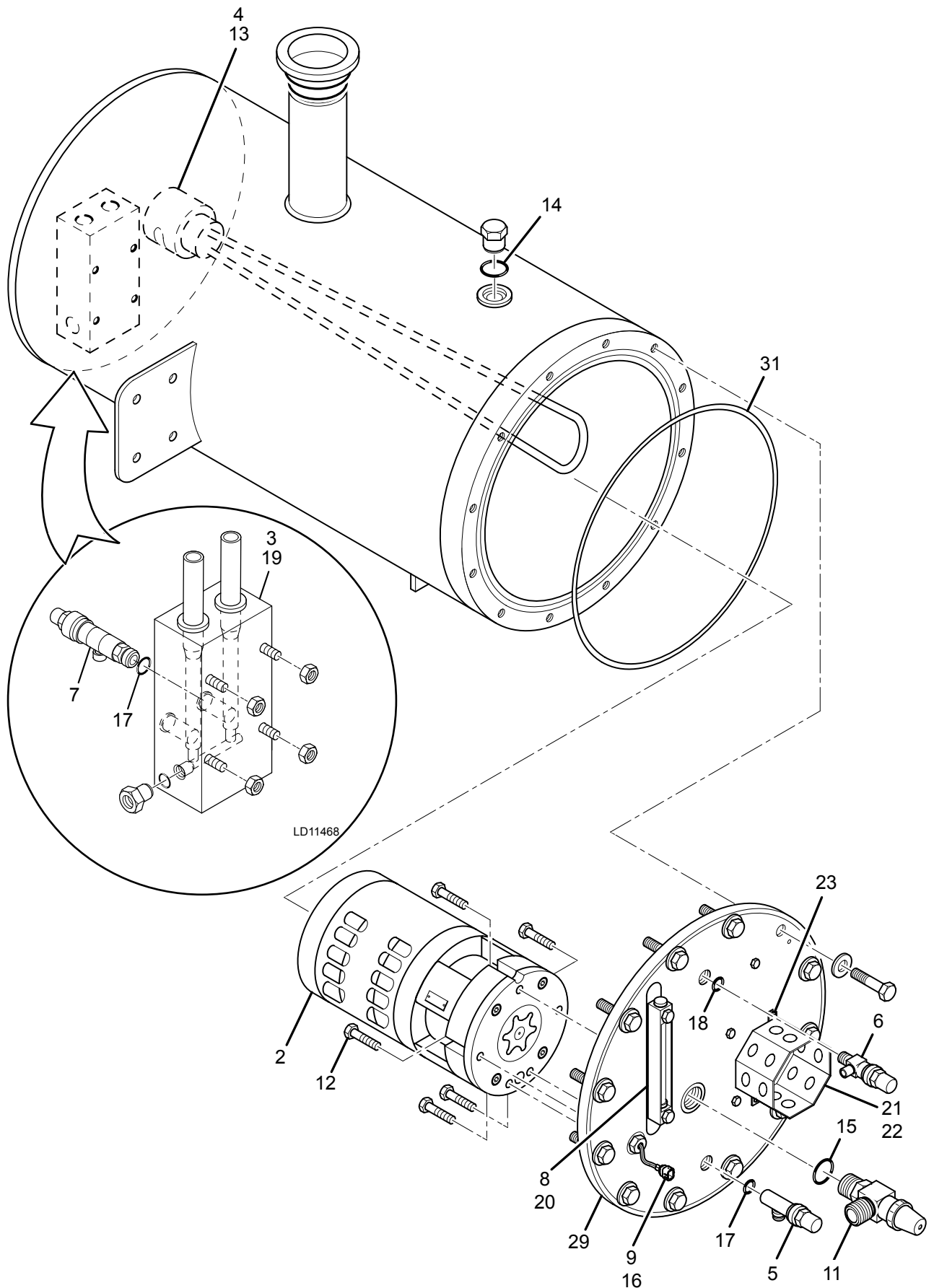


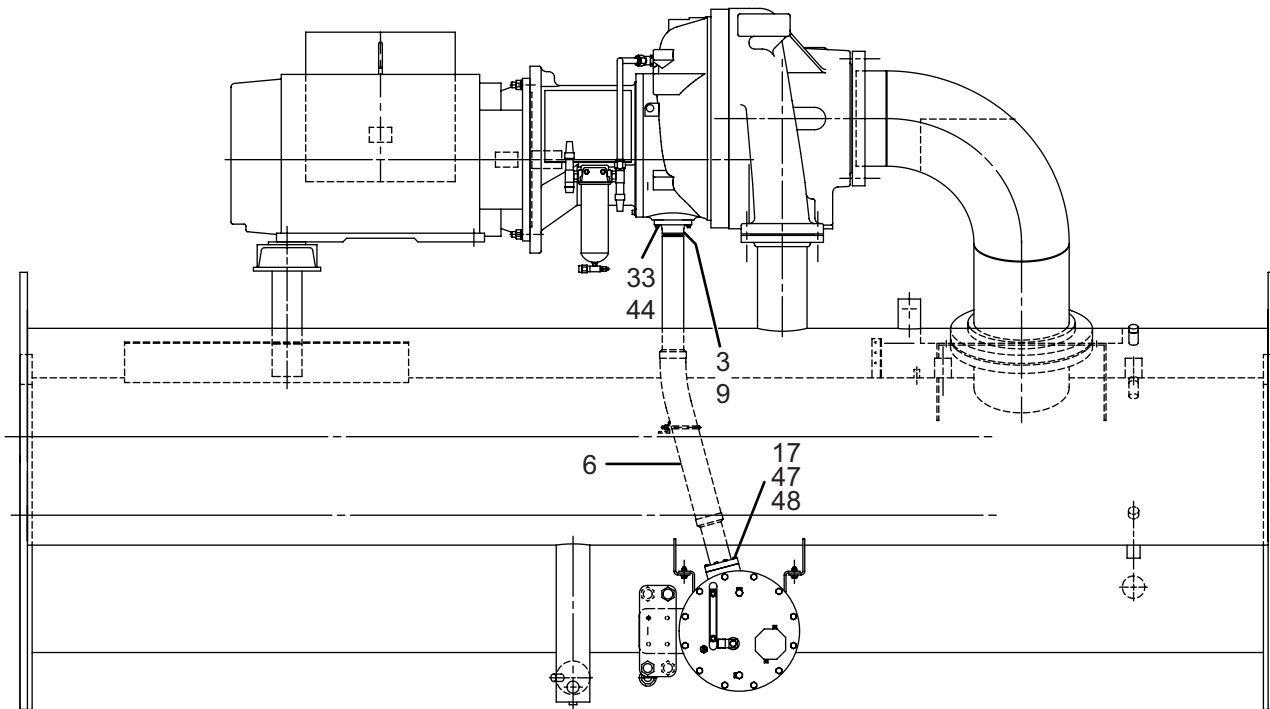
FIGURE 29 - OIL PUMP HOUSING ASSEMBLY

LD11467

TABLE 10 - OIL PUMP RETURN LINE

ITEM	DESCRIPTION	PART NUMBER	QUANTITY
3	Flange, Oil Drain H 36-90	064 48289 000	1
6	Hose, Braided Flex Metal	-	-
	50" Long	026 37992 001	1
	46" Long	026 37992 002	1
	56" Long	026 37992 003	1
	58" Long	026 37992 004	1
	63" Long	026 37992 005	1
9	Seal, O-Ring 3-1/8 ID X 3-1/2	028 12597 000	1
17	Screw, Cap Hex 1/4 -20UNC	021 01392 000	8
33	Lockwasher, Helical Spring 3/8 Reg	021 05269 000	8
44	Screw, Cap 12pt HD 3/8	021 11175 000	8
47	Lockwasher, Helical Spring 1/4 Reg	021 05267 000	8
48	Seal, O-Ring 2-3/4 ID X	028 05166 000	1

OIL RETURN LINE



LD08939

FIGURE 30 - OIL RETURN LINE

COMPRESSOR PIPING

TABLE 11 - COMPRESSOR PIPING

ITEM	DESCRIPTION	QUANTITY	PART NUMBER
3	Valve, Stop Ang Vertical	1	022 10054 000
6	Valve, Stop Ang Vertical	2	022 10046 000
9	Elbow, 3/4 O.D. Tube 90 Deg Male	1	023 18291 000
17	Elbow, Connr 3/4 O.D. (Use on HE Compressors)	1	023 20272 000
	Connr, Straight 3/4 O.D. (Use on HA, HB, & HG Compressors)	-	023 18290 000
27	Seal, O-Ring Neoprene	2	028 12961 006
31	Seal, O-Ring Neoprene	4	028 12961 015
32	Seal, O-Ring Neoprene	2	028 12961 016
33	Sleeve, 1" O.D. Tube	2	023 18285 000
35	Sleeve, SST 3/4 O.D. Tube	1	023 20827 005
37	Sleeve, Plated Steel 3/4 O.D. Tube	3	023 18284 000
40	Nut, 3/4 O.D. Tube	4	023 18286 000
41	Nut, 1" O.D. Tube	2	023 18287 000
46	Connr, 3/8 O.D. Tube Male	1	023 18976 000
47	Connr, 1 O.D. Tube Male	1	023 18972 000
161	Nut, 3/8 O.D. Tube	3	023 18977 000
165	Seal, O-Ring Neoprene	2	028 12961 012
166	Seal, O-Ring Neoprene	1	028 12961 003
167	Seal, O-Ring Neoprene	1	028 12961 008
170	Sleeve, 3/8 O.D. Tube	3	023 18978 000

COMPRESSOR PIPING

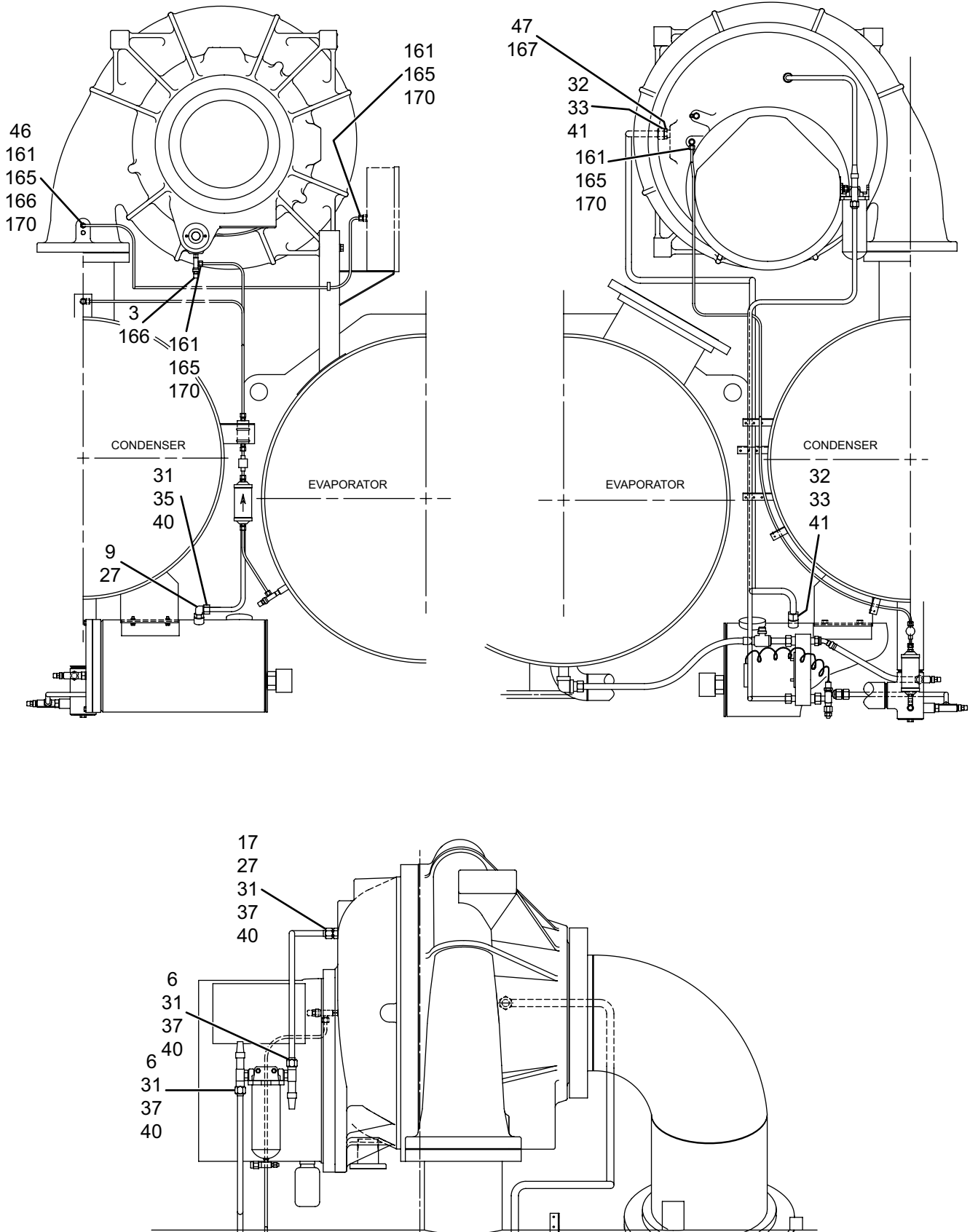


FIGURE 31 - COMPRESSOR PIPING

LD08940

GEAR CODES

TABLE 12 - GEAR CODES

SPEED CODE	PART NUMBER 029-14400-XXX	SPEED CODE	PART NUMBER 029-14400-XXX	SPEED CODE	PART NUMBER 029-14400-XXX
AD	824	NB	332	RQ	166
AE	825	NC	333	RR	167
AF	826	ND	334	RS	168
EA	401	NE	335	RT	169
EB	402	NF	336	RU	170
EC	403	NG	337	RV	171
ED	404	NH	338	RW	172
EE	405	NJ	339	RX	173
EF	406	NK	340	RY	174
EG	407	NL	341	RZ	175
EH	408	NM	342	SA	176
EJ	409	NN	343	SB	177
EK	410	NP	344	SC	178
EL	411	NQ	345	SD	179
EM	412	NR	346	SE	180
EN	413	NS	347	SF	181
EP	414	NT	348	SG	182
EQ	415	NU	349	SH	183
ER	416	NV	350	TA	800
ES	417	NW	351	TB	801
ET	418	NX	352	TC	802
EU	419	NY	353	TD	803
EV	420	NZ	354	TE	804
EW	421	PA	355	TF	805
EX	422	PB	356	TG	806
EY	423	PR	392	TH	807
FA	301	PS	393	TJ	808
FB	302	PT	394	TK	809
FC	303	PU	395	TL	810
FD	304	PV	396	TM	811
FE	305	PW	397	TN	812
FF	306	PX	398	TP	813
FF	306	PY	399	TQ	814
FG	307	PZ	400	TR	815
FG	307	RA	150	TS	816
FH	308	RB	151	TT	817
FJ	309	RC	152	TU	818
FK	310	RD	153	TV	819
FL	311	RE	154	TW	820
FM	312	RF	155	TX	821
FN	313	RG	156	TY	822
FP	314	RH	157	TZ	823
FQ	315	RI	158		
FR	316	RJ	159		
FS	317	RK	160		
FT	318	RL	161		
FU	319	RM	162		
FV	320	RN	163		
FW	321	RO	164		
NA	331	RP	165		

GEAR CODES (CONT'D)

SPEED CODE	PART NUMBER 029-14400-XXX
MC	111
MD	112
ME	113
MF	114
MG	115
MH	116
MJ	117
MK	118
ML	119
MM	120
MN	121
MP	122
MQ	123
MR	124
MS	125
MT	126
MU	127
MV	128
MW	129
MX	130
MY	131
MZ	132
AG	133
AH	134
AJ	135
AK	136
AL	137
AM	138
AN	139

