



BY JOHNSON CONTROLS

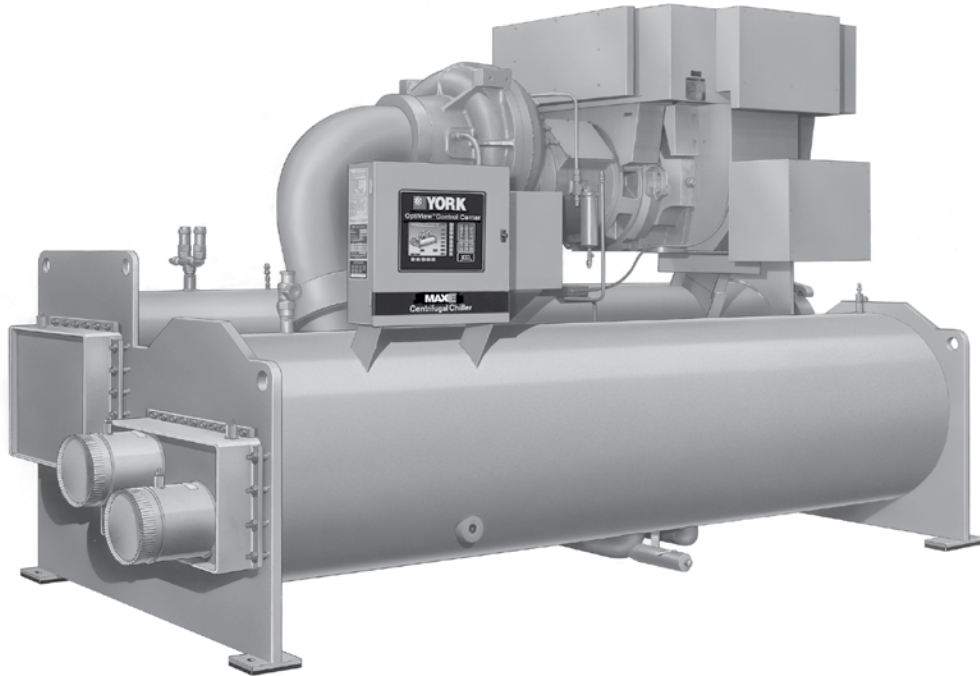
CENTRIFUGAL LIQUID CHILLERS

RENEWAL PARTS

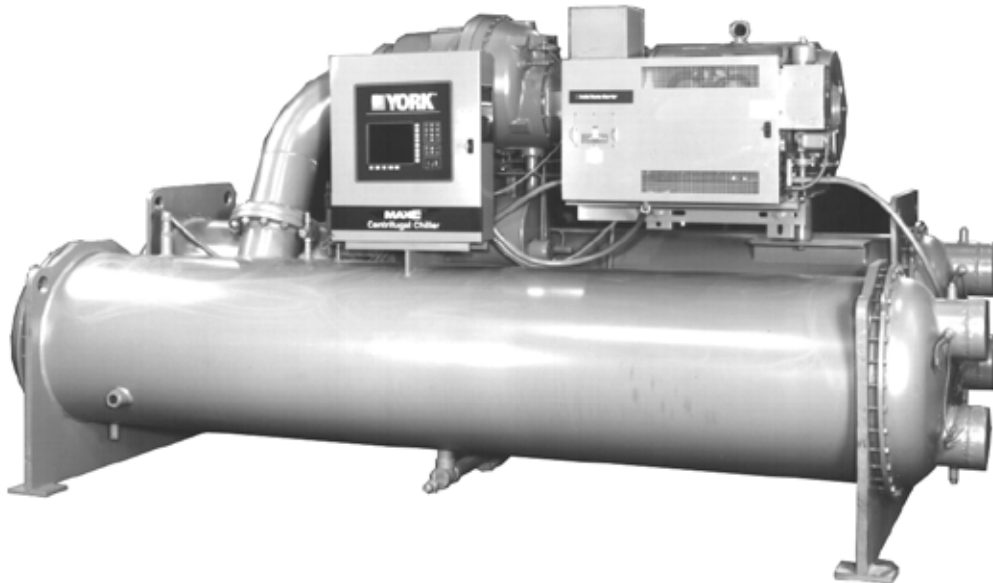
Supersedes: 160.73-RP1 (409)

Form 160.73-RP1 (1013)

UNIT COMPONENTS MODEL YK (STYLE F)



00611VIP



50000

Issue Date:
October 18, 2013



IMPORTANT!

READ BEFORE PROCEEDING!

GENERAL SAFETY GUIDELINES

This equipment is a relatively complicated apparatus. During installation, operation maintenance or service, individuals may be exposed to certain components or conditions including, but not limited to: refrigerants, materials under pressure, rotating components, and both high and low voltage. Each of these items has the potential, if misused or handled improperly, to cause bodily injury or death. It is the obligation and responsibility of operating/service personnel to identify and recognize these inherent hazards, protect themselves, and proceed safely in completing their tasks. Failure to comply with any of these requirements could result in serious damage to the equipment and the property in which it is situated, as well as severe personal injury or death to themselves and people at the site.

This document is intended for use by owner-authorized operating/service personnel. It is expected that this individual possesses independent training that will enable them to perform their assigned tasks properly and safely. It is essential that, prior to performing any task on this equipment, this individual shall have read and understood this document and any referenced materials. This individual shall also be familiar with and comply with all applicable governmental standards and regulations pertaining to the task in question.

SAFETY SYMBOLS

The following symbols are used in this document to alert the reader to specific situations:



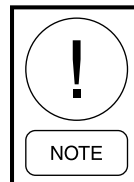
Indicates a possible hazardous situation which will result in death or serious injury if proper care is not taken.



Identifies a hazard which could lead to damage to the machine, damage to other equipment and/or environmental pollution if proper care is not taken or instructions are not followed.



Indicates a potentially hazardous situation which will result in possible injuries or damage to equipment if proper care is not taken.



Highlights additional information useful to the technician in completing the work being performed properly.



External wiring, unless specified as an optional connection in the manufacturer's product line, is not to be connected inside the control cabinet. Devices such as relays, switches, transducers and controls and any external wiring must not be installed inside the micro panel. All wiring must be in accordance with Johnson Controls' published specifications and must be performed only by a qualified electrician. Johnson Controls will NOT be responsible for damage/problems resulting from improper connections to the controls or application of improper control signals. Failure to follow this warning will void the manufacturer's warranty and cause serious damage to property or personal injury.

CHANGEABILITY OF THIS DOCUMENT

In complying with Johnson Controls' policy for continuous product improvement, the information contained in this document is subject to change without notice. Johnson Controls makes no commitment to update or provide current information automatically to the manual owner. Updated manuals, if applicable, can be obtained by contacting the nearest Johnson Controls Service office or accessing the Johnson Controls QuickLIT website at <http://cgproducts.johnsoncontrols.com>.

Operating/service personnel maintain responsibility for the applicability of these documents to the equipment.

If there is any question regarding the applicability of these documents, the technician should verify whether the equipment has been modified and if current literature is available from the owner of the equipment prior to performing any work on the chiller.

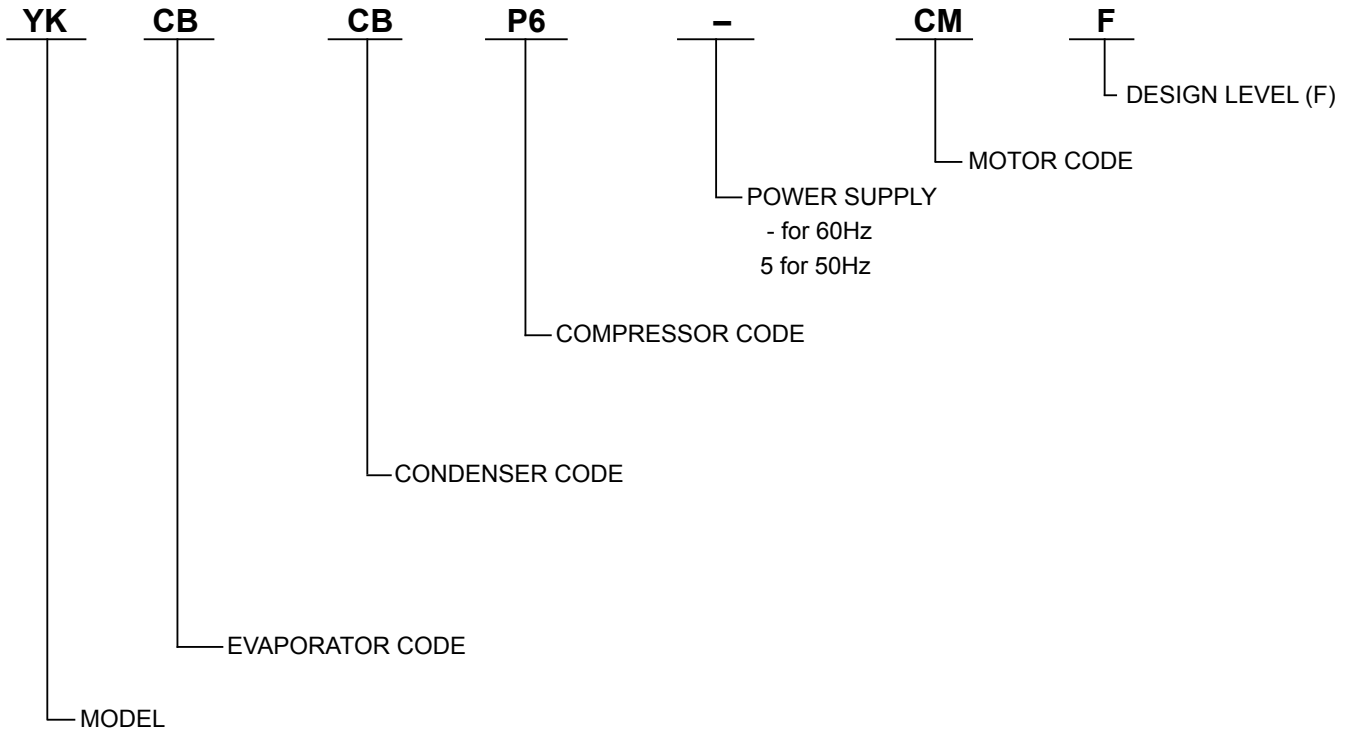
Change Bars

Revisions made to this document are indicated with a line along the left or right hand column in the area the revision was made. These revisions are to technical information and any other changes in spelling, grammar or formatting are not included.

ASSOCIATED LITERATURE

MANUAL DESCRIPTION	FORM NUMBER
Installation - Unit	160.73-N1
Operation - Variable Speed Drive	160.00-O1
Operation - Solid State Starter (Mod B)	160.00-O2
Operation - Control Panel	160.54-O1
Renewal Parts - Control Panel	160.54-RP1

NOMENCLATURE



LIST OF TABLES

	<u>PAGE</u>
TABLE 1 - Unit Components (P1-P6)	6
TABLE 2 - Unit Components (Q3-Q6).....	10
TABLE 3 - Unit Piping (Q3-Q6).....	12
TABLE 4 - Unit Components (Q7, P7-P9, & H9).....	16
TABLE 5 - Unit Piping (Q7, P7-P9, & H9).....	18
TABLE 6 - Unit Components (H & J Compressors)	22
TABLE 7 - Oil Filter Arrangements (H & J Compressors)	25
TABLE 8 - New Style Oil Filter Kit.....	27
TABLE 9 - Variable Orifice	28
TABLE 11 - Evaporator Relief Valves	30
TABLE 11 - Condenser Relief Valves	31
TABLE 12 - Hot Gas Bypass.....	32
TABLE 13 - PRV Position Sensor Kit.....	34
TABLE 14 - Variable Speed Oil Pump Control Panel.....	35
TABLE 15 - System Control Components.....	36
TABLE 16 - 3/4" Evaporator Tubes	38
TABLE 17 - 1" Evaporator Tubes.....	40
TABLE 18 - 3/4" Condenser Tubes.....	41
TABLE 19 - 1" Condenser Tubes.....	43
TABLE 20 - Evaporator and Condenser 150# Compact Waterboxes (Q & P Compressors).....	44
TABLE 21 - Evaporator and Condenser 300# Compact Waterboxes (Q & P Compressors).....	45
TABLE 22 - Evaporator and Condenser 150# Marine Waterboxes (Q & P Compressors).....	46
TABLE 23 - Evaporator and Condenser 300# Marine Waterboxes (Q & P Compressors).....	47
TABLE 24 - Evaporator and Condenser 150# Compact Waterboxes (Q7, P7-P9 & H Compressors)	48
TABLE 25 - Evaporator and Condenser 150# Marine Waterboxes (Q7, P7-P9 & H Compressors).....	49
TABLE 26 - Evaporator 150# Compact Waterboxes (J Compressors).....	50
TABLE 27 - Evaporator 150# Marine Waterboxes (J Compressors)	51
TABLE 28 - Condenser Compact Waterboxes (Q7, P7-P9 & H Compressors).....	52
TABLE 29 - Condenser Marine Waterboxes (G & H Compressors).....	53
TABLE 30 - Condenser Compact Waterboxes (J Compressors).....	54
TABLE 31 - Condenser Marine Waterboxes (J Compressors)	54
TABLE 32 - Neoprene Vibration Isolators	55
TABLE 33 - Spring Isolators.....	55
TABLE 34 - Inlet Chilled Water Strainer.....	56
TABLE 35 - Current Transformer Kit.....	57
TABLE 36 - Multiple Sequence Kit (2 Units)	58
TABLE 37 - Multiple Sequence Kit (3 Units)	58
TABLE 38 - Multiple Sequence Kit (4 Units)	58
TABLE 39 - Miscellaneous And Accessories	59
TABLE 40 - Electrical Connectors.....	59
TABLE 41 - Common Piping Components.....	59
TABLE 42 - Consumables.....	59

UNIT COMPONENTS P1 thru P6 COMPRESSORS

TABLE 1 - UNIT COMPONENTS (P1-P6)

ITEM	DESCRIPTION	PART NUMBER	QUANTITY	FIGURE
1	Oil Cooler	026-37549-000	1	1
1A	Seal, O-ring	028-12961-015	2	
1B	Seal, O-ring	028-12961-013	1	
2	Valve, Thermal Expansion	025-35133-000	1	1
3	Valve, Charging, 3/4 Flare	022-09757-000	1	2
3A	Seal, O-ring	028-12961-006	1	
4	Valve, Service	022-09573-000	2	2
4A	Gasket	028-04836-000	2	
5	Valve, Vertical Angle Stop (3/8 Tube)	022-10054-000	2	2,4
5A	Seal, O-ring	028-12961-003	3	
5B	Seal, O-Ring (Face Seal)	028-12961-012	5	
6	Seal, O-ring	022-09577-000	2	2
6A	Seal, O-ring	028-12961-001	2	
7	Valve, Vertical Angle Stop	022-10055-000	1	1
7A	Teflon Seal Ring	028-12709-000	1	
8	Valve, Vertical Angle Stop (3/4 Tube)	022-10046-000	2	3
8A	Seal, O-ring	028-12961-006	3	
8B	Seal, O-ring (Face Seal)	028-12961-015	2	
9	Valve, Vertical Angle Stop (1/4 Flare)	022-10092-000	1	3
9A	Seal, O-ring	028-13832-000	1	
10	Filter , Oil (complete/ with element)	026-37589-000	1	3
10A	Filter, Element	026-32831-000	1	
10B	Filter, O-ring	028-14404-000	1	
10C	Filter, Gasket (Kaydon)	028-15798-000	1	
10D	Filter, Kit (Items 10A & 10B)	364-50438-000	1	
11	Bottle, Seal Drain	028-10579-000	1	3
12	Cap	066-89574-000	1	
13	Dehydrator	026-37563-000	1	4
13A	Seal, O-ring	028-12961-012	5	
14	Valve, Solenoid	025-35150-001	1	4
14A	Coil, Service Replacement	025-37841-001	1	
15	Gasket, Suction	028-14434-000	2	5
16	Gasket, Discharge (w/o Isolation)	028-14433-000	1	5
17	Valve, Butterfly 5" (Isolation)	022-10056-000	1	5
17A	Seal, O-ring	028-12961-027	2	
18	Valve, Butterfly Variable Orifice	022-09760-000	1	2
18A	Seal, O-ring	028-12961-023	2	
19	Motor, Variable Orifice	025-38177-000	1	2
20	Valve, Isolation	022-10048-000	1	2
20A	Gasket	064-47078-000	1	
20B	Gasket	028-14463-000	1	
21	Sensor, Evaporator Liquid Temperature	025-34159-000	1	2
21A	Seal, O-ring	028-12961-004	1	
22	Sensor, Condenser Liquid Temperature	025-37831-000	1	2
22	Sensor, Condenser Liquid Temperature (After 8/2003)	025-39517-000	1	
22A	Seal, O-ring	028-12961-004	1	
23	Transducer, Pressure	025-28678-112	1	2

NOTE: Items with an * are NOT represented.

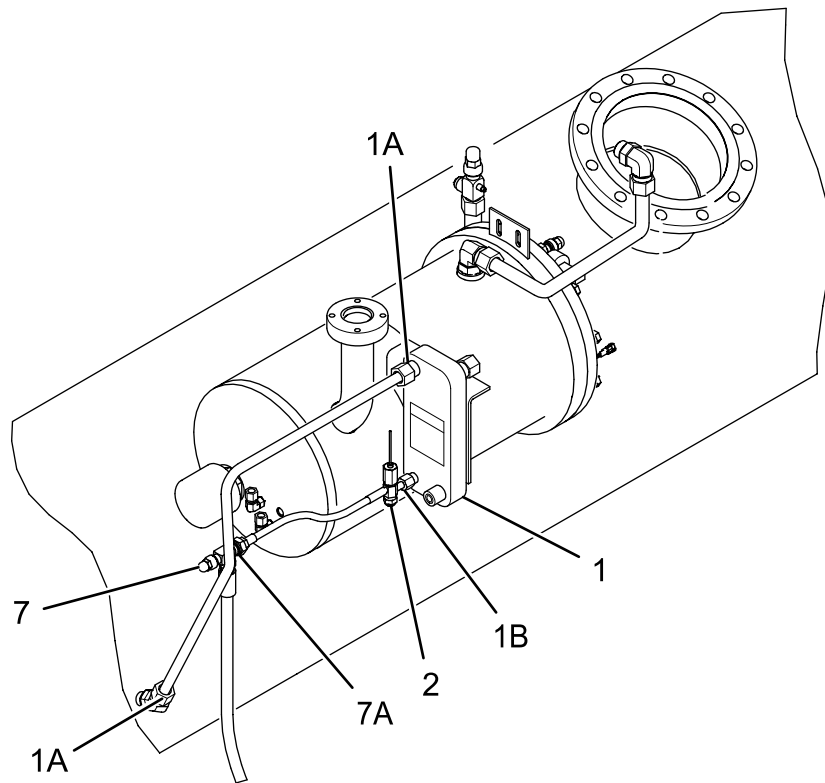


FIGURE 1 - OIL PUMP HOUSING (P1-P6)

LD08501

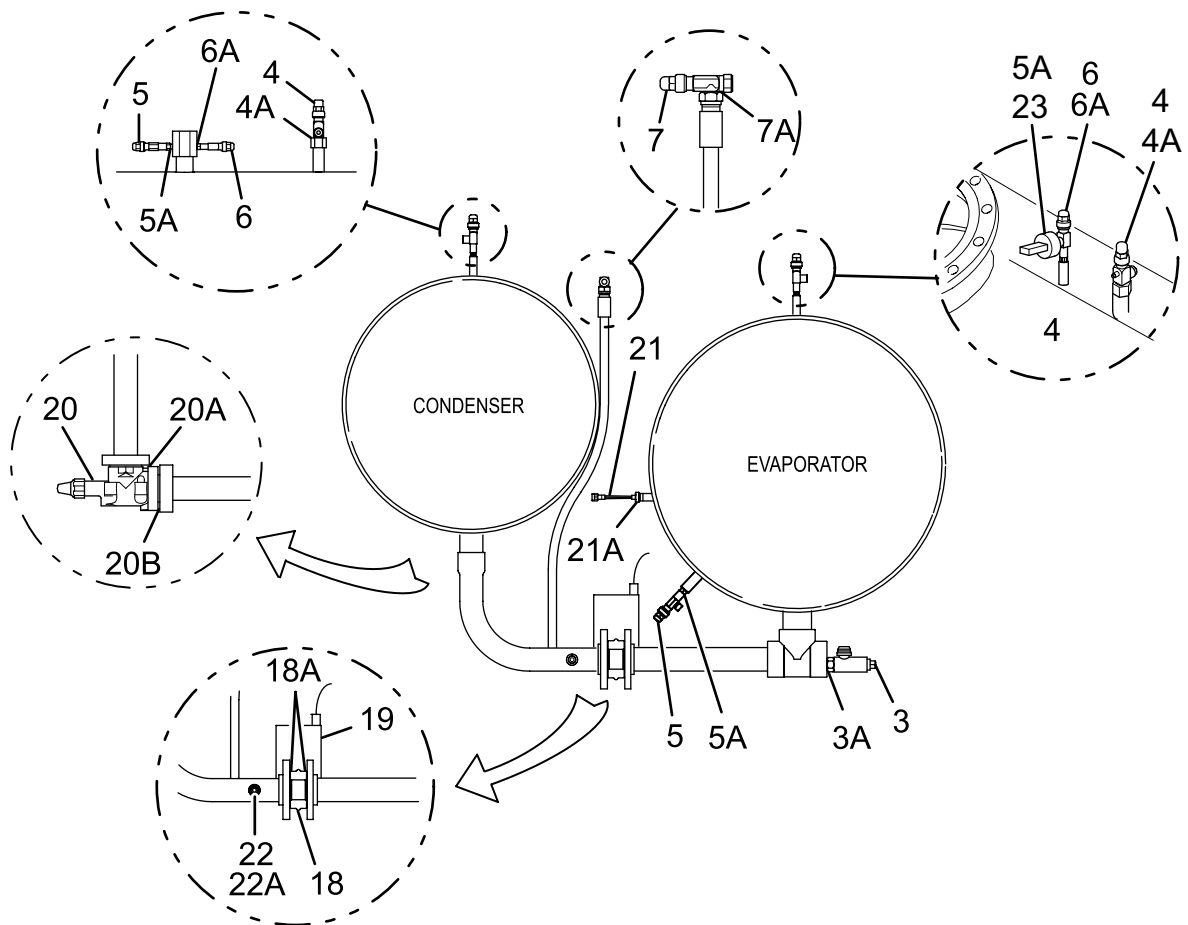


FIGURE 2 - UNIT COMPONENTS (P1-P6)

LD08502a

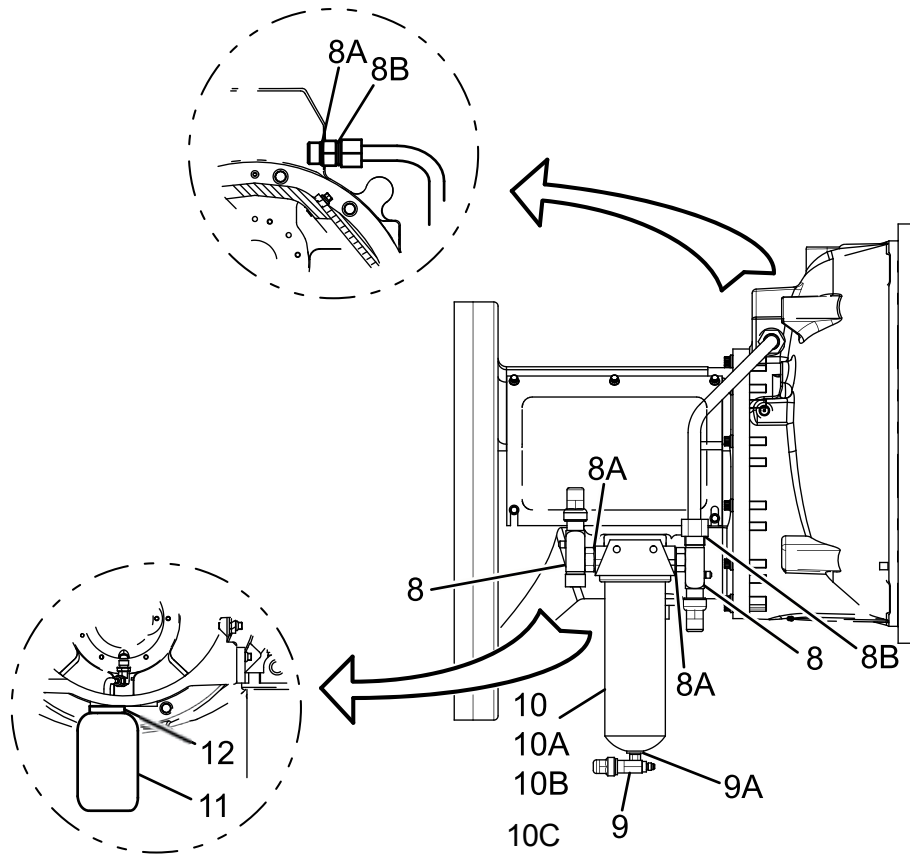


FIGURE 3 - UNIT COMPONENTS (P1-P6)

LD08503

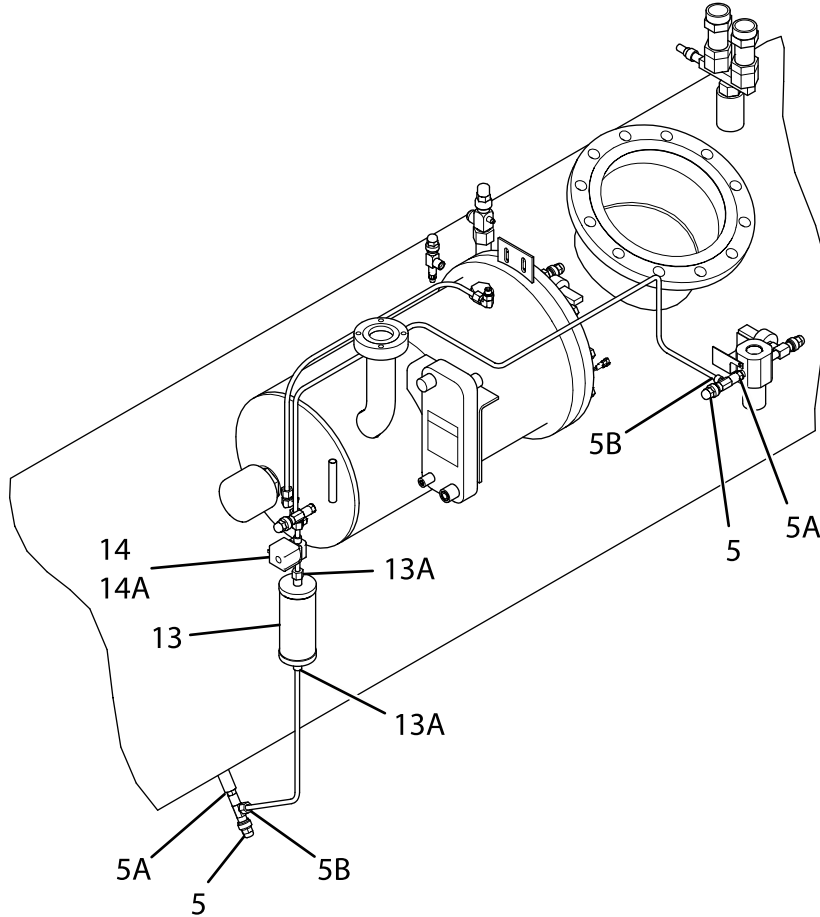


FIGURE 4 - UNIT COMPONENTS (P1-P6)

LD08504

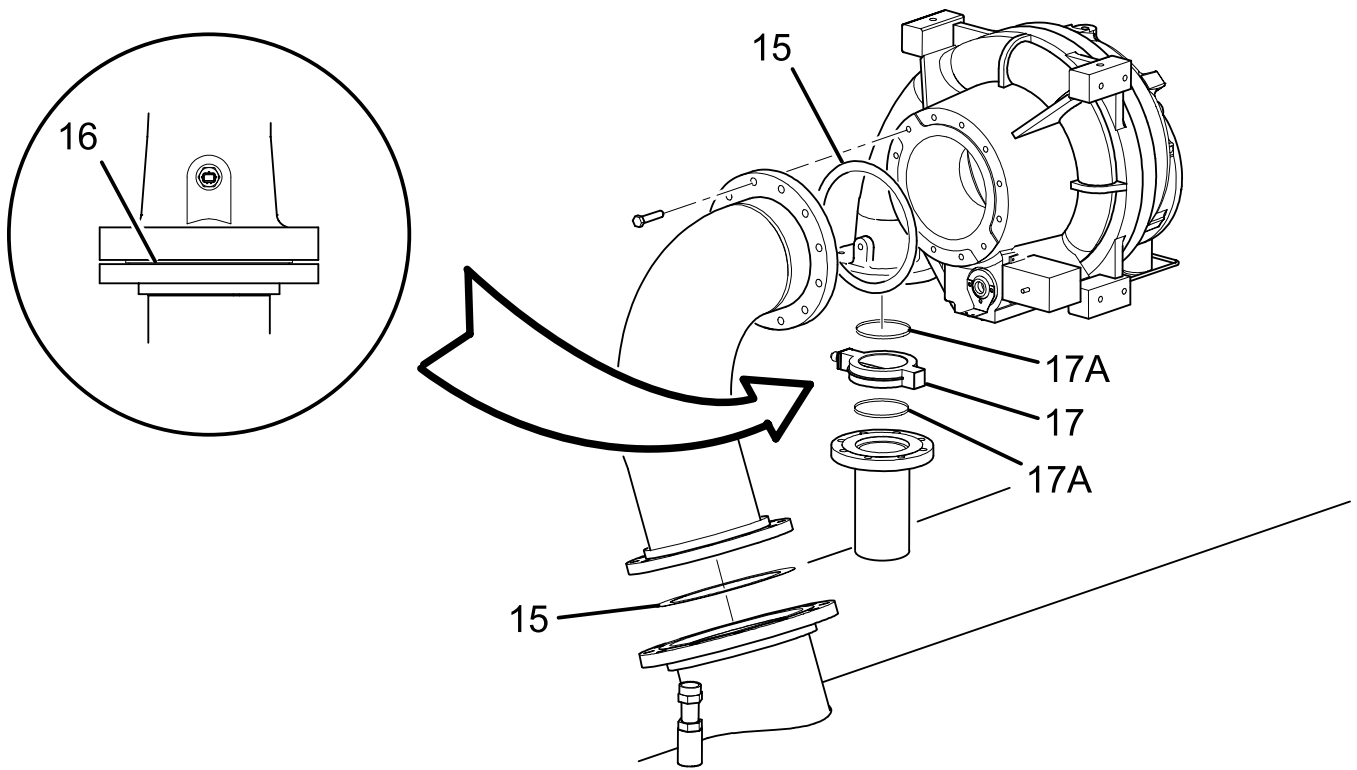


FIGURE 5 - UNIT COMPONENTS (P1-P6)

LD08661

UNIT COMPONENTS Q3 thru Q6 COMPRESSORS

TABLE 2 - UNIT COMPONENTS (Q3-Q6)

ITEM	DESCRIPTION	PART NUMBER	QUANTITY	FIGURE
4	Gasket, ANSI 10-150# (Q3/Q4)	028-15075-114	1	6
	Gasket, ANSI 12-150# (Q5/Q6/Q7)	028-15075-115	1	
7	O-ring, Neoprene 2.6 Id .210 Thk (2" Flange)	028-14469-000	1	*
8	O-ring, Neoprene 3.1 Id .210 Thk (2-1/2" Flange)	028-12597-000	1	*
15	Valve, Butterfly Size 5" (Q3/Q4)	022-10641-005	1	6
	Valve, Butterfly Size 6" (Q5/Q6)	022-10641-006	1	
16	Gasket, ANSI 5-150# (Q3/Q4)	028-15075-011	1	6
	Gasket, ANSI 6-150# (Q5/Q6/Q7)	028-15075-012	1	
18	Discharge Spool Assy., 5" Sch 80 (Q3 APAP-ASAS)	375-72182-002	1	6
	Discharge Spool Assy., 5" Sch 80 (Q3 CPCP-DXDS w/o Iso)	375-72182-003	1	
	Discharge Spool Assy., 5" Sch 80 (Q3 CPCP-DXDS w/ Iso)	375-72182-005	1	
	Discharge Spool Assy., 5" Sch 80 (Q4 CPCP-DXDS w/o Iso)	375-72182-004	1	
	Discharge Spool Assy., 5" Sch 80 (Q4 CPCP-DXDS w/ Iso)	375-72182-006	1	
	Discharge Spool Assy., 5" Sch 80 (Q4 EPEP-ETET w/o Iso)	375-72182-007	1	
	Discharge Spool Assy., 5" Sch 80 (Q4 EPEP-ETET w/ Iso)	375-72182-008	1	
	Discharge Spool Assy., 6" Sch 80 (Q5 CPCP-CSCS w/ Iso)	375-75120-001	1	
	Discharge Spool Assy., 6" Sch 80 (Q5 CPCP-CSCS w/o Iso)	375-75120-002	1	
	Discharge Spool Assy., 6" Sch 80 (Q5 EPEP-FTFT w/ Iso)	375-75120-003	1	
	Discharge Spool Assy., 6" Sch 80 (Q5 EPEP-FTFT w/o Iso)	375-75120-004	1	
	Discharge Spool Assy., 6" Sch 80 (Q6 EPEP-FTFT w/ Iso)	375-75120-005	1	
	Discharge Spool Assy., 6" Sch 80 (Q6 EPEP-FTFT w/o Iso)	375-75120-006	1	
	Discharge Spool Assy., 6" Sch 80 (Q7 EPEP-FTFT w/o Iso)	375-75120-008	1	
Discharge Spool Assy., 6" Sch 80 (Q7 EPEP-FTFT w/ Iso)	375-75120-007	1		
24	Gasket (Q3/Q4)	028-15129-101	1	6
	Gasket (Q5/Q6/Q7)	028-15129-102	1	
30	Stud, Conts Thd 3/4-10 x 3-1/2	021-12772-000	8	6
33	Bottle, High Density	028-10579-000	1	6
34	Cap, High Density Bottle	066-89574-000	1	6
35	O-ring, Neoprene 5.975 Id .210 Thk (Q3/Q4)	028-14482-000	1	6
	O-ring, Neoprene 7.475 Id .210 Thk (Q5/Q6/Q7)	028-15061-000	1	

NOTE: Items with an * are NOT represented.

UNIT COMPONENTS (CON'T) Q3 thru Q6 COMPRESSORS

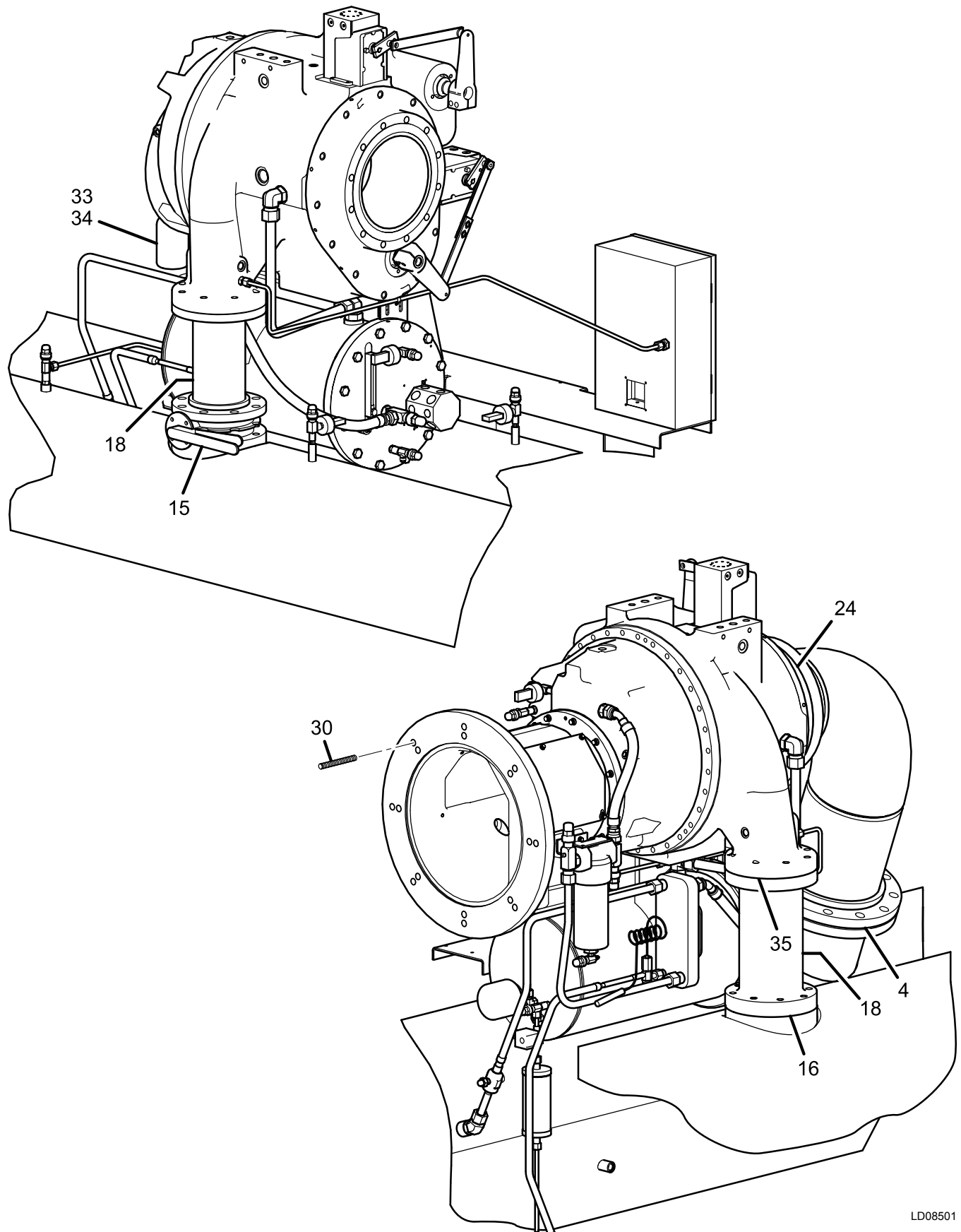


FIGURE 6 - UNIT COMPONENTS (Q3-Q6 COMPRESSORS)

UNIT PIPING Q3 thru Q6 COMPRESSORS

TABLE 3 - UNIT PIPING (Q3-Q6)

ITEM	DESCRIPTION	PART NUMBER	QUANTITY	FIGURE
5	Solenoid, Valve 3/8 ORFS	025-35150-001	1	7
5A	Coil, Service Replacement	025-37841-001	1	7
6	Cooler, Oil	026-37549-000	1	7/9
7	Valve, Thermal Expansion	025-35133-000	1	7
8	Connr, 3/4 OD Tube Male	023-18292-000	1	7
9	Elbow, 1" OD Tube 90° Male	023-18292-000	2	8/9
13	Hose, Refrig. ORFS 3/4 x 28	026-39123-028	1	8
17	Elbow, 3/8 OD x .035 x 8-12	023-18990-000	3	9
23	Gasket, Flare 3/8 OD Tube	028-01258-000	2	7/8
24	Cap, Flare 3/8 OD Tube	023-00977-000	2	7
26	O-ring, Neoprene .489 ID .070 Thk	028-12961-013	1	*
27	O-ring, Neoprene .924 Id .116 Thk	028-12961-006	3	7
28	Valve, Stop Angle Vertical	022-09757-000	1	7
29	Valve, Stop Angle Vertical	022-10047-000	1	7
30	Coupling, Sld C x C 3/4 x 1/2	023-16299-000	1	7
31	O-ring, Neoprene .739 Id .070 Thk	028-12961-015	7	7/8/9
32	O-ring, Neoprene .926 Id 0.70 Thk	028-12961-016	2	9
43	Transducer, Pressure	025-28678-006	3	7/8
44	Transducer, Pressure	025-28678-112	1	8
46	Connr, 3/8 OD Tube Male	023-18976-000	1	*
47	Fitting, 3/8 OD Tube Male	023-23701-000	1	8
53	Valve, Ball 3/4 ID x 3/4 OD M	022-11685-000	1	7
58	Valve, Stop Angle Vertical	022-09577-000	3	*
59	O-ring, Neoprene .351 Id .072 Thk	028-12961-001	3	*
154	Filter, Drier 3/8 ORFS	026-37563-000	1	7
162	Valve, Stop Angle Vertical	022-10054-000	1	8
163	Valve, Stop Angle Vertical	022-10054-000	1	10
164	O-ring, Neoprene .414 Id x .072 Thk	028-12961-002	3	7/8
165	O-ring, Neoprene .364 Id x .070 Thk	028-12961-012	10	7/8/9
166	O-ring, Neoprene .468 Id x .078 Thk	028-12961-003	6	8/9
167	O-ring, Neoprene 1.17 Id x .116 Thk	028-12961-008	2	8/9
168	Drain Plug, Condenser	023-18282-000	1	*
169	O-ring, Drain Plug	028-12961-008	1	*
170	Sight Glass, Cond./Evap.	023-17197-000	2	*
171	O-ring, Sight Glass	028-12961-036	2	*
172	Valve, Stop Angle Vertical	022-09573-000	2	*
173	Gasket, Service Valve	028-04836-000	2	*

NOTE: Items with an * are NOT represented.

UNIT PIPING (CON'T) Q3 thru Q6 COMPRESSORS

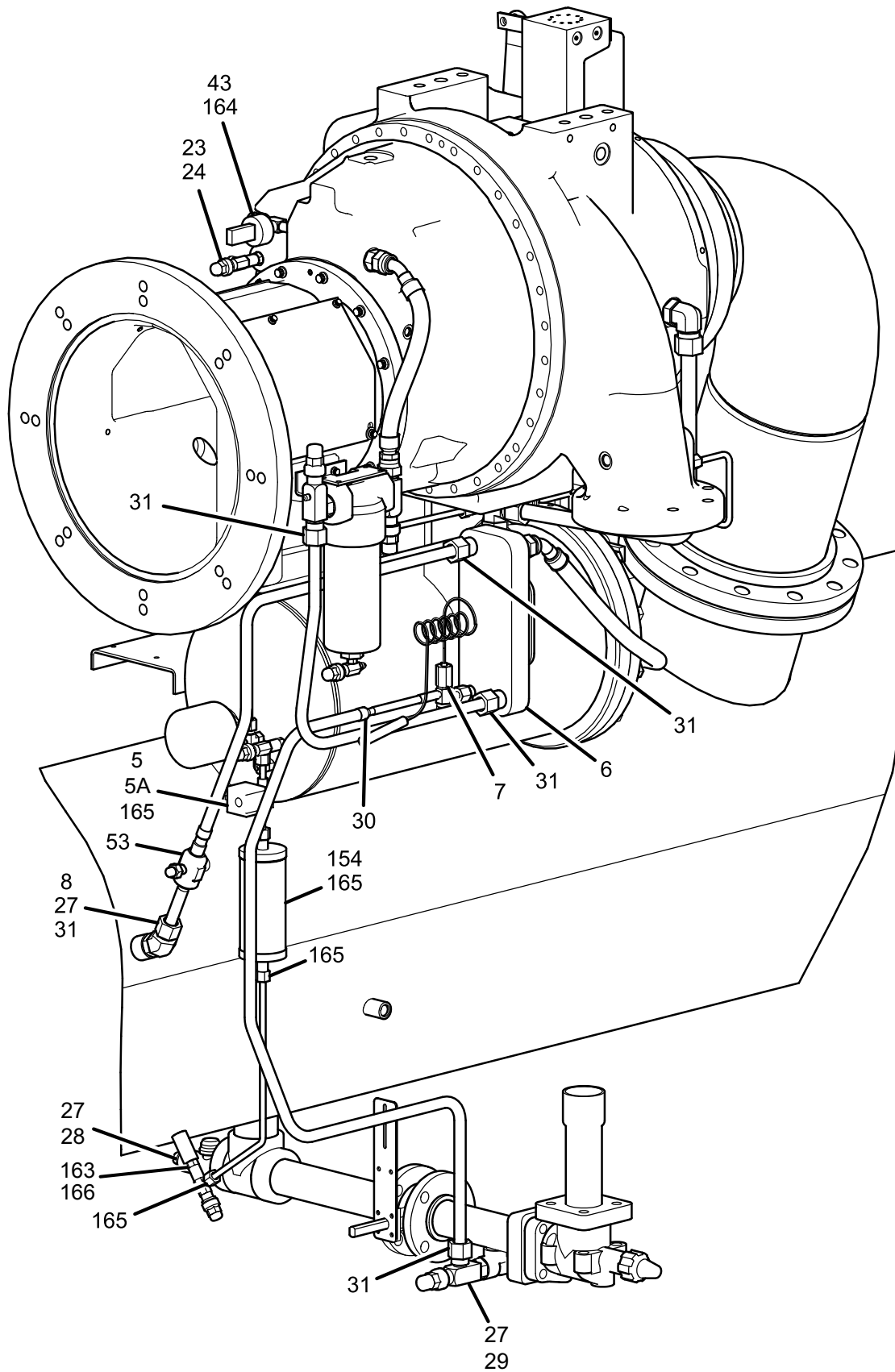
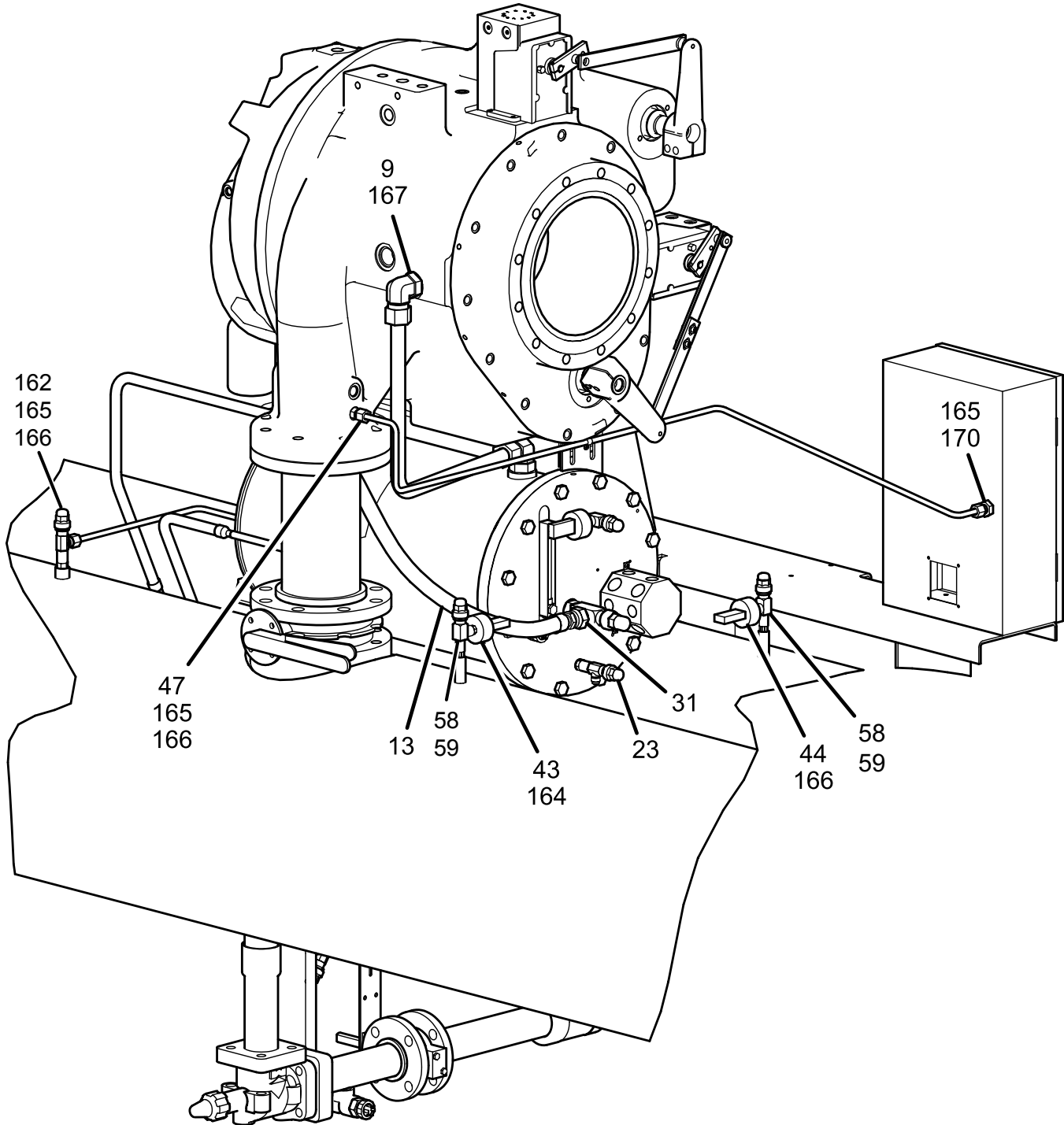


FIGURE 7 - UNIT PIPING (Q3-Q6 COMPRESSORS)

UNIT PIPING (CON'T) Q3 thru Q6 COMPRESSORS



LD13062a

FIGURE 8 - UNIT PIPING (Q3-Q6 COMPRESSORS)

UNIT PIPING (CON'T) Q3 thru Q6 COMPRESSORS

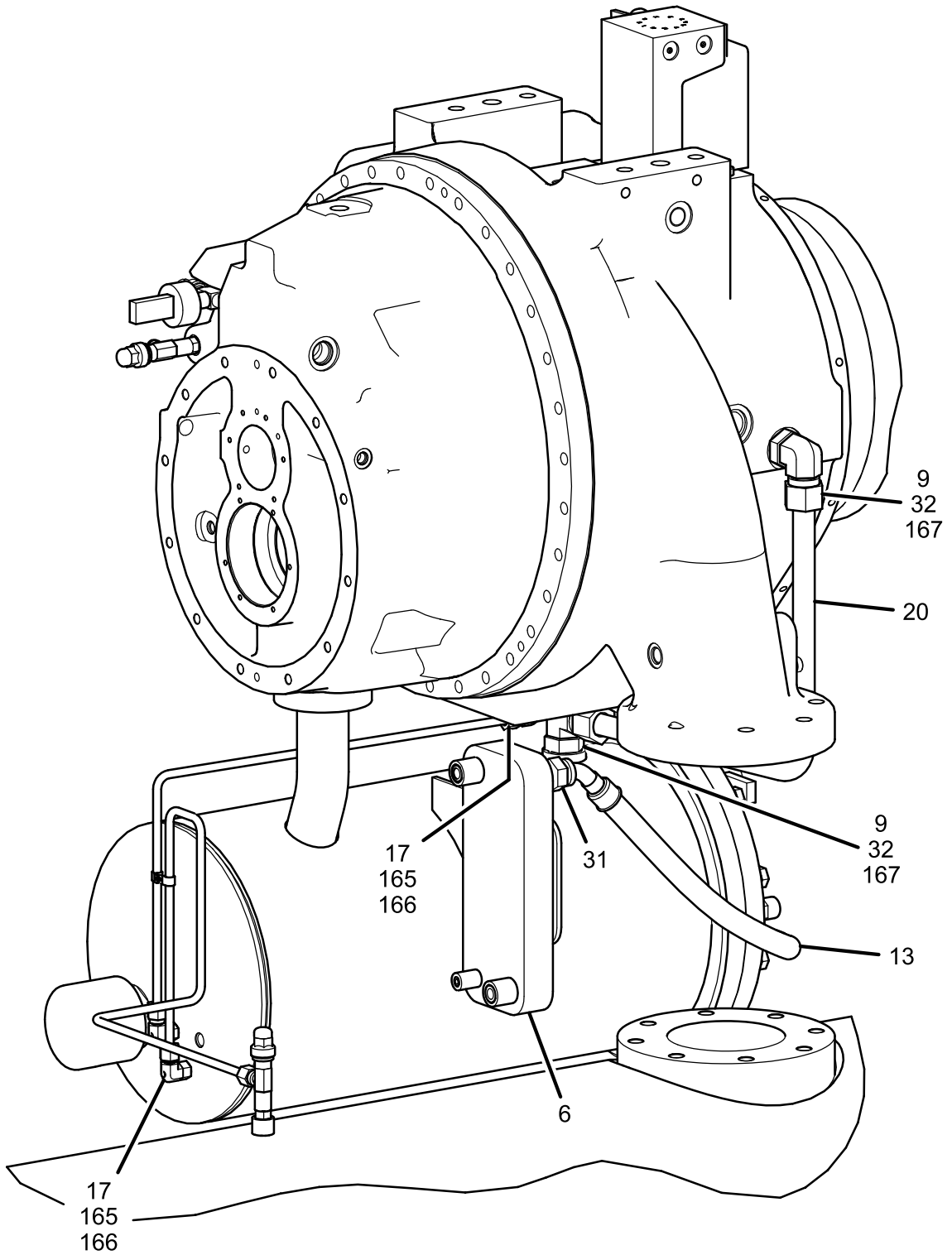


FIGURE 9 - UNIT PIPING (Q3-Q6 COMPRESSORS)

UNIT COMPONENTS

Q7, P7-P9, & H9 COMPRESSORS

TABLE 4 - UNIT COMPONENTS (Q7, P7-P9, & H9)

ITEM	DESCRIPTION	PART NUMBER	QUANTITY	FIGURE
4	Gasket, ANSI 12-150#, Q7 & P7 ONLY	028-15075-115	1	10
	Gasket, P8, P9, & H9	028-15075-116	1	
7	O-ring, Neoprene 2.60 Id .21 Thk (2" Flange)	028-14469-000	1	*
8	O-ring, Neoprene 3.10 Id .21 Thk (2-1/2" Flange)	028-12597-000	1	*
15	Valve, Butterfly 6"	022-10641-006	1	10
16	Gasket, ANSI 6-150#	028-15075-112	1	10
18	Discharge Assy., 6" Sch 80 (Q7 w/o Iso)	375-75120-008	1	10
	Discharge Assy., 6" Sch 80 (Q7 w/Iso)	375-75120-007	1	
	Discharge Assy., 6" Sch 80 (P7 w/o Iso)	375-75120-008	1	
	Discharge Assy., 6" Sch 80 (P7 w/Iso)	375-75120-007	1	
	Discharge Assy., 6" Sch 80 (P8 E-F w/o Iso)	375-76499-004	1	
	Discharge Assy., 6" Sch 80 (P8 E-F w/Iso)	375-76499-003	1	
	Discharge Assy., 6" Sch 80 (P8 J-L w/Iso)	375-76499-009	1	
	Discharge Assy., 6" Sch 80 (P8 J-L w/o Iso)	375-76499-010	1	
	Discharge Assy., 6" Sch 80 (P9 E-F w/o Iso)	375-76499-006	1	
	Discharge Assy., 6" Sch 80 (P9 E-F w/Iso)	375-76499-005	1	
	Discharge Assy., 6" Sch 80 (P9 J-L w/ Iso)	375-76499-011	1	
	Discharge Assy., 6" Sch 80 (P9 J-L w/o Iso)	375-76499-012	1	
	Discharge Assy., 6" Sch 80 (H9 K w/o Iso)	375-76499-008	1	
	Discharge Assy., 6" Sch 80 (H9 K w/Iso)	375-76499-007	1	
	Discharge Assy., 6" Sch 80 (H9 M w/o Iso)	375-76499-002	1	
Discharge Assy., 6" Sch 80 (H9 M w/ Iso)	375-76499-001	1		
24	Gasket, Q7 & P7 ONLY	028-15129-102	1	10
	Gasket, P8, P9, & H9	028-12129-103	1	
35	O-ring, Neoprene 7.47 ID .210 Thk	028-15061-000	1	10

NOTE: * items NOT shown

UNIT COMPONENTS Q7, P7-P9, & H9 COMPRESSORS

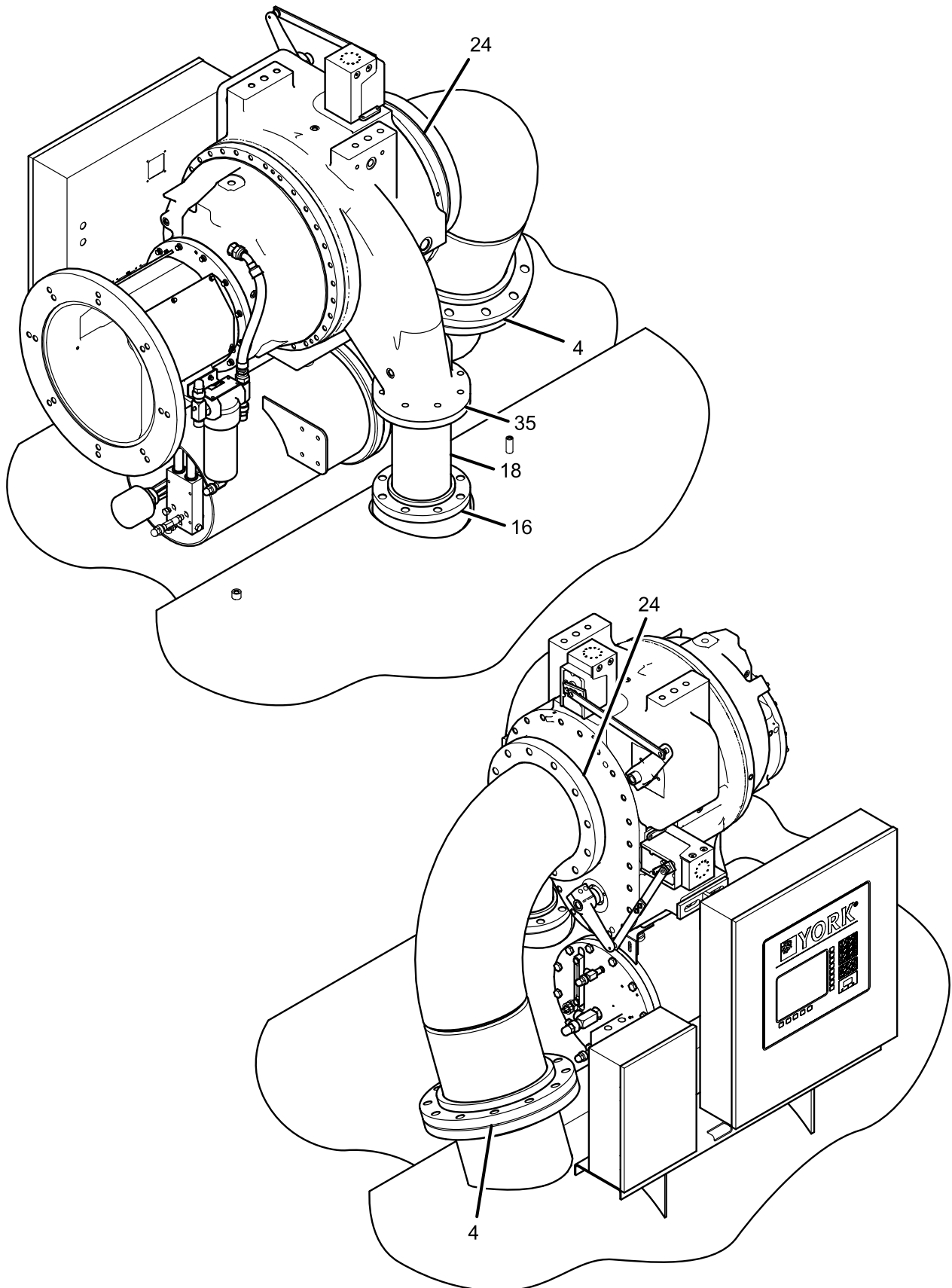


FIGURE 10 - UNIT COMPONENTS (Q7, P7-P9, & H9 COMPRESSORS)

LD13169

UNIT PIPING

Q7, P7-P9 & H9 COMPRESSORS

TABLE 5 - UNIT PIPING (Q7, P7-P9, & H9)

ITEM	DESCRIPTION	PART NUMBER	QUANTITY	FIGURE
5	Solenoid, Valve 3/8 ORFS	025-35150-001	1	11
5A	Coil, Service Replacement	025-37841-001	1	
6	Cooler, Oil Special K	026-37549-000	1	11/13
7	Valve, Thermal Expansion	025-35133-000	1	11
8	Connr, 3/4" OD Tube Male	023-20272-000	1	*
9	Elbow, 1" OD Tube 90° Male	023-18292-000	2	13
13	Hose, Refrig. ORFS 3/4" x 28	026-39123-028	1	11/12/13
17	Elbow, 3/8" OD Tube 90° Male	023-18980-000	3	14
23	Gasket, Flare 3/8" OD Tube	028-01258-000	2	11/13
24	Cap, Flare 3/8" OD Tube	023-00977-000	2	11/12/13
26	O-ring, Neoprene .489 ID .070 THK	028-12961-013	1	11
27	O-ring, Neoprene .924 ID .116 THK	028-12961-006	1	11
28	Valve, Stop Angle	022-09757-000	1	11
29	Valve, Stop Angle	022-10047-000	1	11
30	Coupling, SLD C x C 3/4" x 1/2"	023-16299-000	1	11
31	O-ring, Neoprene .739 ID x .070 THK	028-12961-015	7	11/12/13
32	O-ring, Neoprene .926 ID x .070 THK	028-12961-016	2	12
43	Transducer, Pressure	025-28678-006	3	12
44	Transducer, Pressure	025-28678-112	1	12
47	Fitting, 3/8" OD Tube Male	023-23701-000	1	12
53	Valve, Ball 3/4" ID x 3/4" OD	022-11685-000	1	11
55	Bottle, High Density	028-10579-000	1	12
58	Valve, Stop Angle	022-09577-000	1	11
59	O-ring, Neoprene .351 OD x .072 THK	028-12961-001	1	1
154	Filter, Drier 3/8" ORFS	026-37563-000	1	1
163	Valve, Stop Angle	022-10054-000	1	11
164	O-ring, Neoprene .414 ID x .072 THK	028-12961-002	3	12
165	O-ring, Neoprene .364 ID x .070 THK	028-12961-012	10	11/12/13
166	O-ring, Neoprene .468 ID x .070 THK	028-12961-003	6	12/13
167	O-ring, Neoprene 1.17 ID x .116 THK	028-12961-008	5	12
168	Drain Plug, Condenser	023-18282-000	1	*
169	O-ring, Condenser Drain Plug	028-12961-008	1	*
170	Sight Glass, Cond & Evap	023-17197-000	2	*
171	O-ring, Sight Glass	028-12961-036	2	*
172	Service Valve, Cond & Evap	022-09573-000	2	*
172	Gasket, Service Valve	028-04836-000	2	*

NOTE: * items NOT shown

UNIT PIPING (CON'T) Q7, P7-P9 & H9 COMPRESSORS

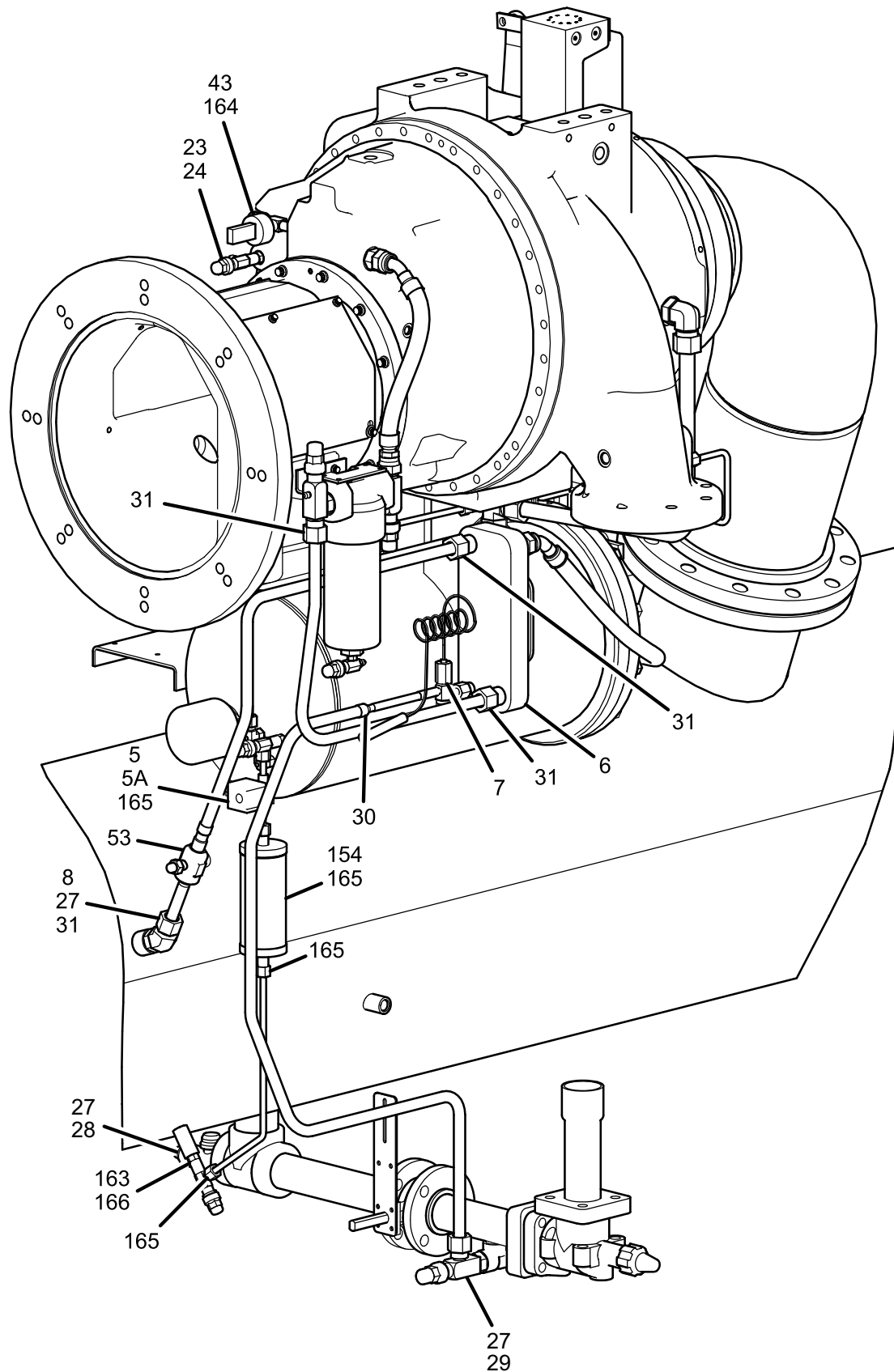
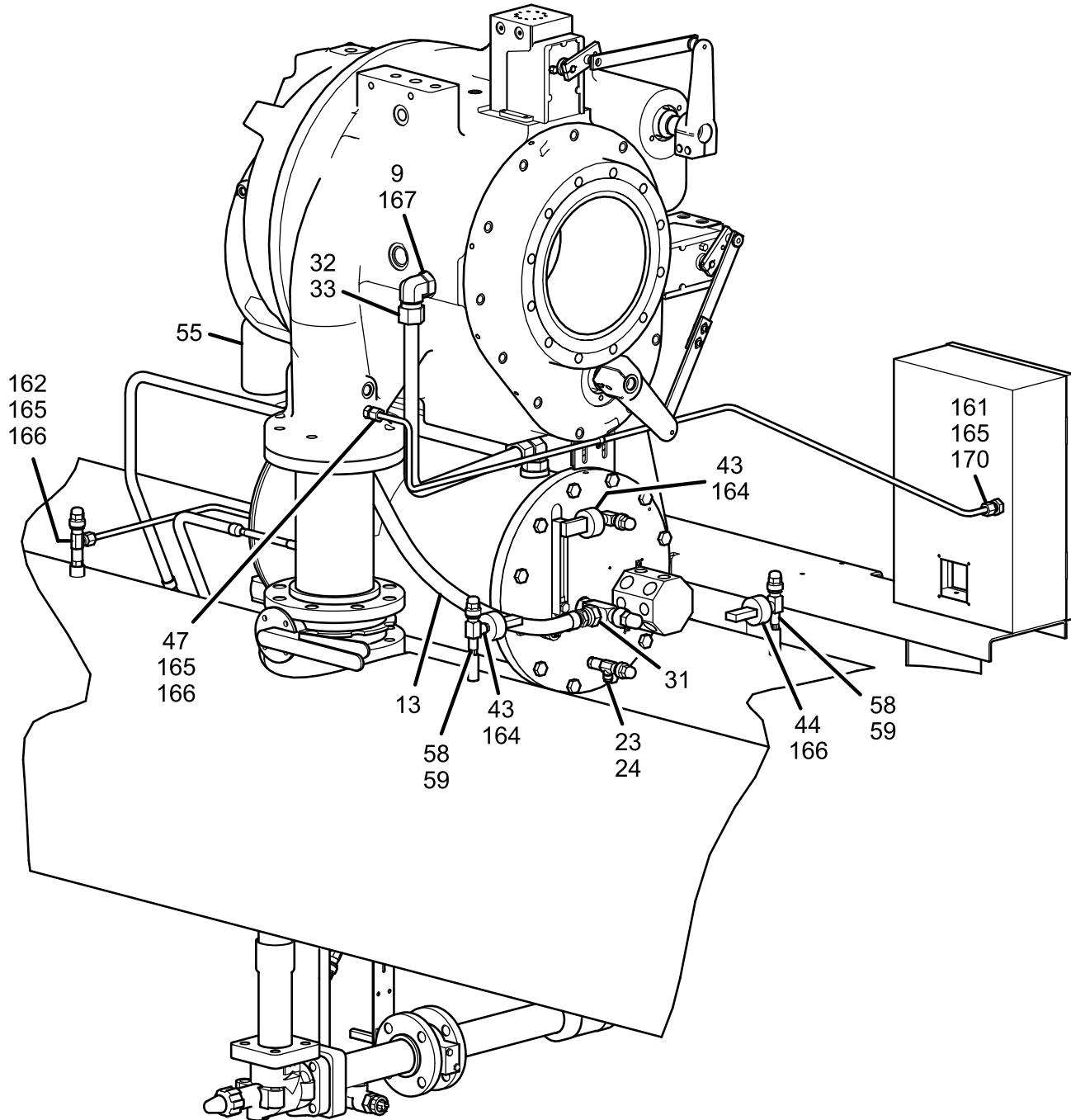


FIGURE 11 - UNIT PIPING (Q7, P7-P9 & H9 COMPRESSORS)

UNIT PIPING (CON'T) Q7, P7-P9 & H9 COMPRESSORS



LD13062

FIGURE 12 - UNIT PIPING (Q7, P7-P9 & H9 COMPRESSORS)

UNIT PIPING (CON'T) Q7, P7-P9 & H9 COMPRESSORS

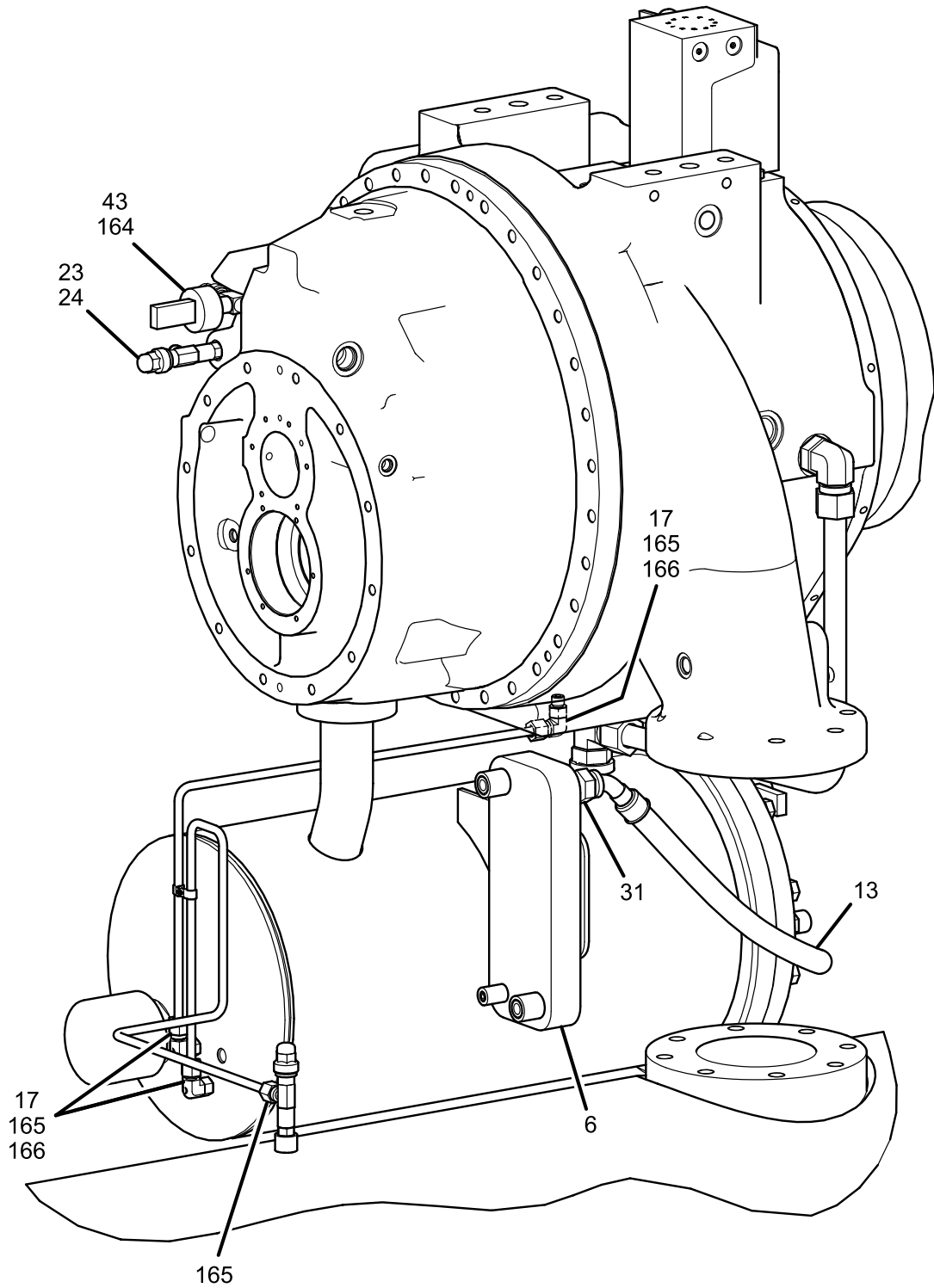


FIGURE 13 - UNIT PIPING (Q7, P7-P9 & H9 COMPRESSORS)

UNIT COMPONENTS H and J COMPRESSORS

TABLE 6 - UNIT COMPONENTS (H AND J COMPRESSORS)

ITEM	DESCRIPTION	PART NUMBER	QUANTITY	FIGURE
1	Oil Cooler	026-37958-000	1	14
1A	Seal, O-ring 1-3/16"	028-12961-015	3	
1B	Seal, O-ring 1-7/16"	028-12961-016	2	
2	Eductor, Oil Return	026-37956-000	1	14
3	Valve, Thermal Expansion	025-38170-000	1	14
3A	Seal, O-ring 1-3/16"	028-12961-015	3	
4	Valve, Stop Angle Vertical	022-10054-000	1	14
4A	Seal, O-ring 9/16"	028-12961-003	1	
5	Valve, Solenoid	025-35150-001	1	14
5A	Seal, O-ring 11/16"	028-12961-012	2	
6	Valve, Ball 1"	022-09797-000	1	14
7	Elbow 90°	023-18291-000	1	14
7A	Seal, O-ring 1-1/16"	028-12961-006	1	
8	Valve, Stop Angle Vertical	022-10074-000	1	14
8A	Seal, O-ring 1-1/16"	028-12961-006	1	
8B	Seal, O-ring 1-3/16"	028-12961-015	2	
9	Filter, In-Line	023-20878-001	1	14
10	Gasket, Flare	028-01258-000	2	
11	Transducer, Pressure	025-28678-112	1	14
11A	Seal, O-ring 9/16"	028-12961-003	1	
12	Valve, Stop Angle	022-09577-000	2	14
12A	Seal, O-ring	028-12961-001	2	
13	Connector, Straight Thread	023-18976-000	4	14
13A	Seal, O-ring 11/16"	028-12961-012	4	
13B	Seal, O-ring 9/16"	028-12961-003	4	
14	Connector, Straight Thread	023-18972-000	1	14
14A	Seal, O-ring 1-5/16"	028-12961-008	1	
14B	Seal, O-ring 1-7/16"	028-12961-016	1	
15	Bottle, High Density	028-10579-000	1	14
15A	Cap	066-89574-000	1	
16	Filter Drier	026-37563-000	1	14
16A	Seal, O-ring	028-12961-012	12	
17	Seal, O-ring	028-12597-000	1	14
18	Gasket, Suction (H Compressor)	028-13806-000	1	14
	Gasket, Suction (J1, J2 Compressors)	028-13804-000	1	
	Gasket, Suction (J3-J5 Compressors)	028-13802-000	1	
	Gasket, Suction (J7 Compressors)	028-15129-306	1	
19	Gasket, Suction (H Compressor)	028-15075-015	1	14
	Gasket, Suction (J1, J2 Compressors)	028-15075-016	1	
	Gasket, Suction (J3-J5 Compressors)	028-15075-017	1	
	Gasket, Suction (J7 Compressors)	028-15075-019	1	
20	Seal, O-ring	028-05166-000	1	14

UNIT COMPONENTS H and J COMPRESSORS

TABLE 6 (CONT'D) - UNIT COMPONENTS (H AND J COMPRESSORS)

ITEM	DESCRIPTION	PART NUMBER	QUANTITY	FIGURE
21	Gasket, Discharge w/o Isolation Valve (H5 Compressor)	028-15075-061	-	14
	Gasket, Discharge w/o Isolation Valve (H6-H8, J1, J2 Compressor)	028-15075-062	1	
	Gasket, Discharge w/o Isolation Valve (J3-J5 Compressors)	028-15075-063	1	
22	Valve, Butterfly 6" (H5 Compressor)	022-10641-006	1	14
	Seal, O-ring (H5 Compressor)	028-12961-028	1	
	Valve, Butterfly 8" (H6-H8, J1, J2 Compressors)	022-10641-008	1	
	Seal, O-ring (H6-H8, J1, J2 Compressors)	028-12961-029	1	
	Valve, Butterfly 8" (J3-J5 Compressors)	022-10641-010	1	
	Seal, O-ring (J3-J5 Compressors)	028-12961-030	1	
	Valve, Butterfly 12" (J7 Compressor)	022-10641-012	1	
	Gasket, Round ANSI 12-150 (J7 Compressor)	028-15075-015	1	
23	Valve, Stop Angle Vertical	022-10074-000	1	14
	Seal, O-ring	028-12961-006	1	
24	Valve, Stop Angle Vertical	022-10047-000	1	14
	Seal, O-ring	028-12961-015	9	
	Seal, O-ring	028-12961-006	1	
25	Valve	022-10054-000	1	14
	Seal, O-ring	028-12961-003	1	
26	Seal, O-ring	028-12961-012	2	14
27	Coupling, Special	023-20282-000	1	14
28	Filter Dryer	026-37563-000	1	14
29	Valve, Solenoid	025-35150-002	1	14
36	Plug	023-18280-000	1	14
37	O-ring	028-12961-004	1	14

UNIT COMPONENTS H and J COMPRESSORS

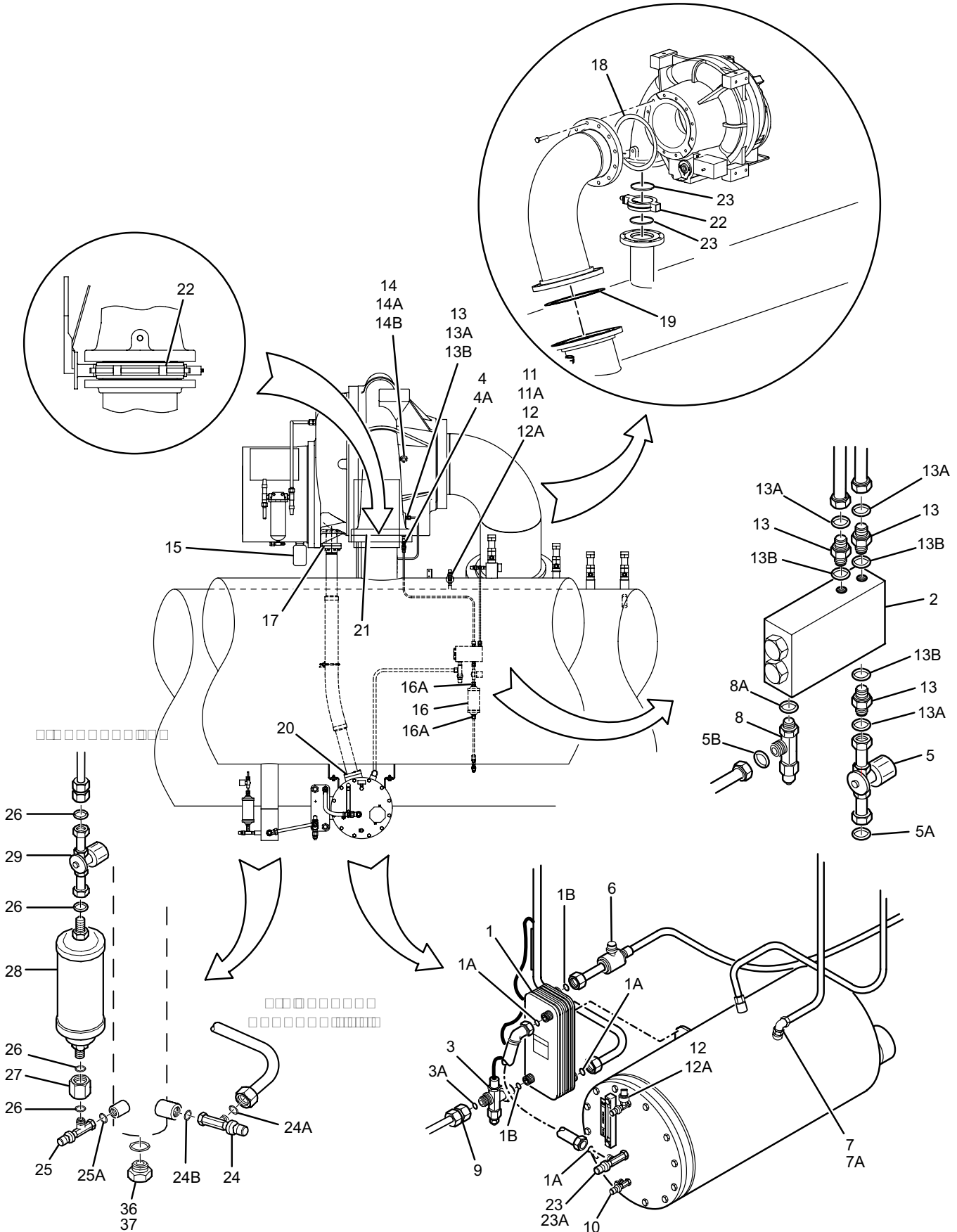


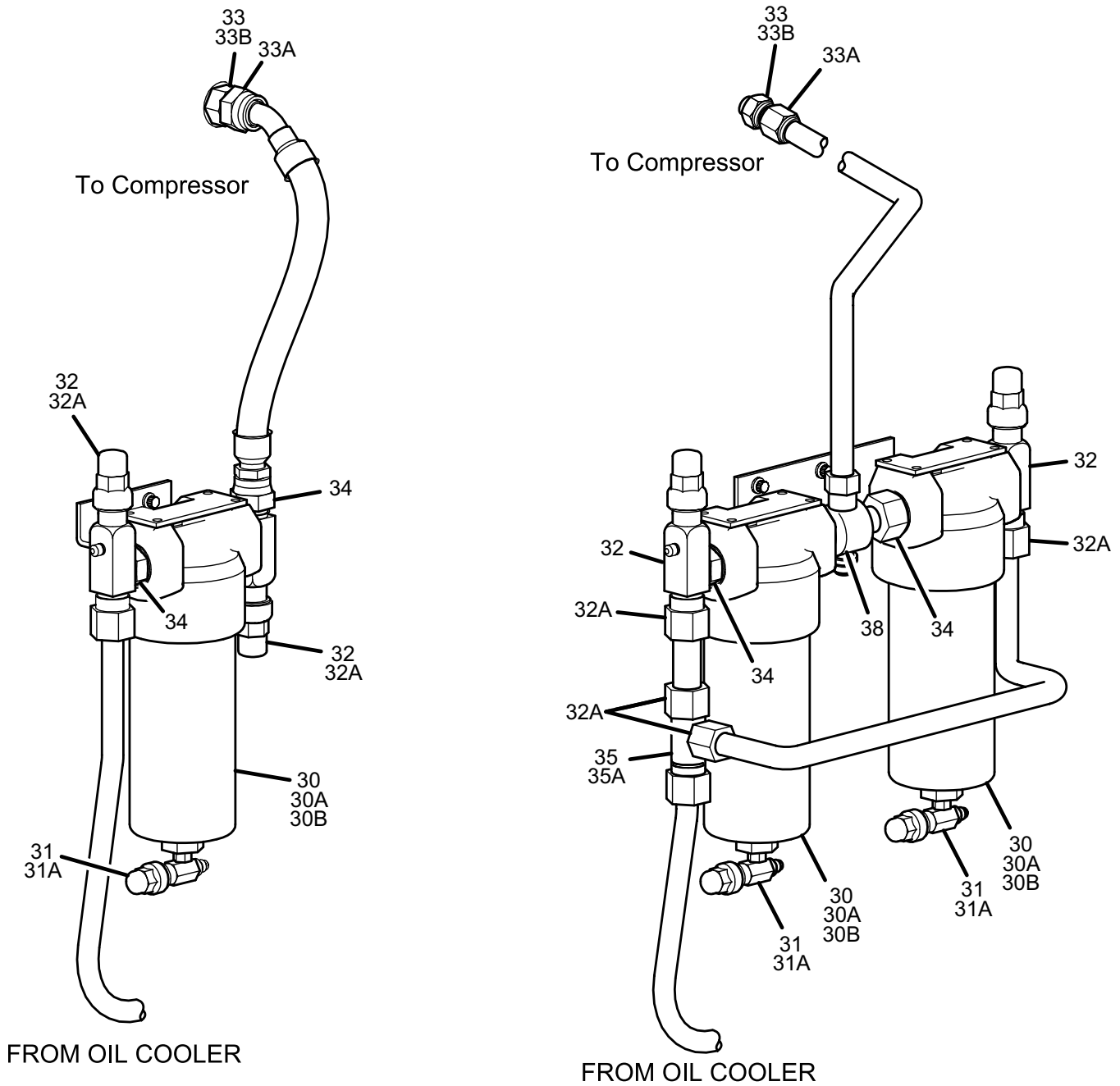
FIGURE 14 - UNIT COMPONENTS (H AND J COMPRESSORS)

LD08660a

TABLE 7 - OIL FILTER ARRANGEMENTS (H & J COMPRESSORS)

ITEM	DESCRIPTION	PART NUMBER	QUANTITY	FIGURE
SINGLE OIL FILTER				
30	Housing, Filter Oil, Seubert (Complete with Element)	026-47427-000	1	15
30A	Filter Element	026-32831-000	1	
30B	Filter O-ring	028-14404-000	1	
30	Housing, Filter Oil, Kaydon (Complete with Element) *	026-37589-000	1	15
30A	Filter Element *	026-32831-000	1	
30B	Filter O-ring *	028-14404-000	1	
31	Valve, Vertical Stop Angle	026-37956-000	1	15
31A	O-ring	028-13832-000	1	
32	Valve, Vertical Stop Angle	022-10046-000	2	15
32A	O-ring	028-12961-015	1	
33	Connector	023-20272-000	1	15
33A	O-ring	028-12961-015	1	
33B	O-ring	028-12961-006	1	
34	O-ring	028-12961-006	2	15
DUAL OIL FILTERS				
30	Housing, Filter Oil, Seubert (Complete with Element)	026-47427-000	2	15
30A	Filter Element	026-32831-000	2	
30B	Filter O-ring	028-14404-000	2	
30	Housing, Filter Oil, Kaydon (Complete with Element)	026-37589-000	2	15
30A	Filter Element	026-32831-000	2	
30B	Filter O-ring	028-14404-000	2	
31	Valve, Vertical Stop Angle	026-37956-000	2	15
31A	O-ring	028-13832-000	2	
32	Valve, Vertical Stop Angle	022-10046-000	2	15
32A	O-ring	028-12961-015	4	
33	Connector	023-20272-000	1	15
33A	O-ring	028-12961-015	2	
33B	O-ring	028-12961-006	1	
34	O-ring	028-12961-006	4	15
35	Tee Union	023-18913-000	1	15
35A	O-ring	028-11961-015	1	
38	Valve, 3-Way	022-10094-000	1	15

* See Figure 15A for YK style "F" new style Oil Filter / O-ring.



LD08931

FIGURE 15 - OIL FILTER ARRANGEMENT (H AND J COMPRESSORS)

TABLE 8 - NEW STYLE OIL FILTER KIT

ITEM	DESCRIPTION	PART NUMBER
30	YK Style "F", New Style Oil Filter / O-ring Kit	364-50438-000
30A	3-Micron Filter Element	026-32831-000
30B	YK Style "F", New Style O-ring	028-14404-000

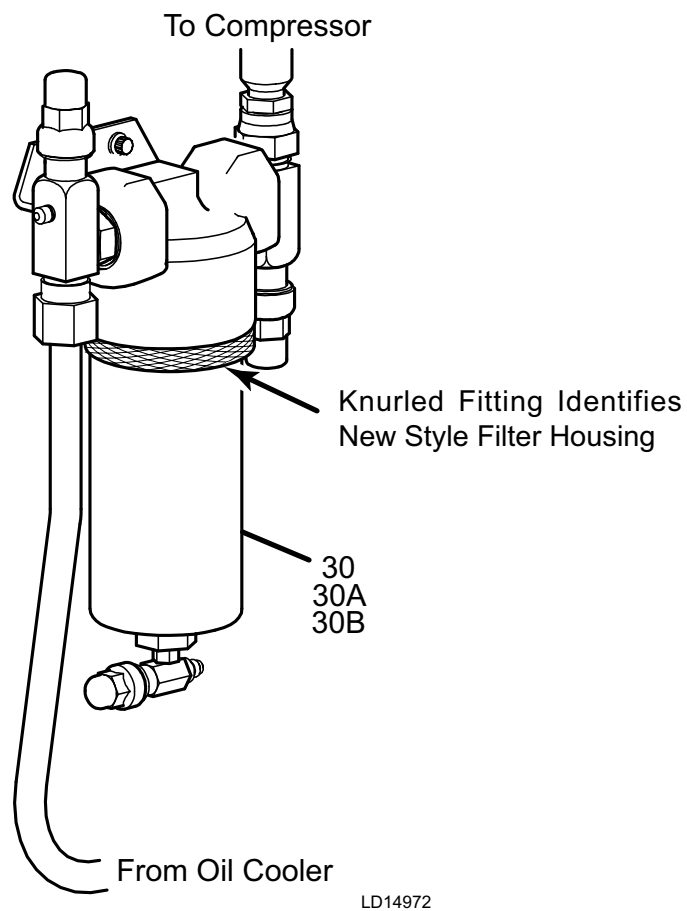


FIGURE 16 - NEW STYLE OIL FILTER / O-RING

TABLE 9 - VARIABLE ORIFICE

ITEM	DESCRIPTION	PART NUMBER	QUANTITY	FIGURE
2" OPTION WITH ISOLATION VALVE				
1	Valve, Ball 2" S.W. Full Port	022-08752-000	1	18
2	Valve, Butterfly 2"	022-10642-002	1	
2A	O-ring	028-12961-023	2	
3	Actuator, Electric	025-38177-000	1	
2" OPTION WITHOUT ISOLATION VALVE				
1	Valve, Butterfly 2"	022-10642-002	1	17
1A	O-ring	028-12961-023	2	
2	Actuator, Electric	025-38177-000	1	
3" OPTION WITH ISOLATION VALVE				
1	Valve, Butterfly 3"	022-10642-003	1	18
1A	O-ring	028-12961-025	2	
2	Valve, Ball 3" Flanged	022-09739-000	1	
3	Actuator, Electric	025-38178-000	1	
4	Gasket	028-15075-108	1	
3" OPTION WITHOUT ISOLATION VALVE				
1	Valve, Butterfly 3"	022-10642-003	1	17
1A	O-ring	028-12961-025	2	
2	Actuator, Electric	025-38178-000	1	
4" OPTION WITH ISOLATION VALVE				
1	Valve, Butterfly 4"	022-10642-004	1	18
1A	O-ring	028-12961-026	2	
2	Valve, Ball 4" Flanged	022-09740-000	1	
3	Actuator, Electric	025-38178-000	1	
4	Gasket	028-15075-110	1	
4" OPTION WITHOUT ISOLATION VALVE				
1	Valve, Butterfly 4"	022-10642-004	1	17
1A	O-ring	028-12961-026	2	
2	Actuator, Electric	025-38178-000	1	
COMMON PARTS				
5	Valve, Ball 1 Npti X 1 Npti	022-06873-000	1	17/18
6	Bush, Pipe 1 - 11-1/2 Npte	023-04045-000	1	
7	Connr, 3/4 Ext Fla X 3/4	023-00934-000	1	
8	Gasket, Fla 3/4 Od Tube	028-09211-000	1	

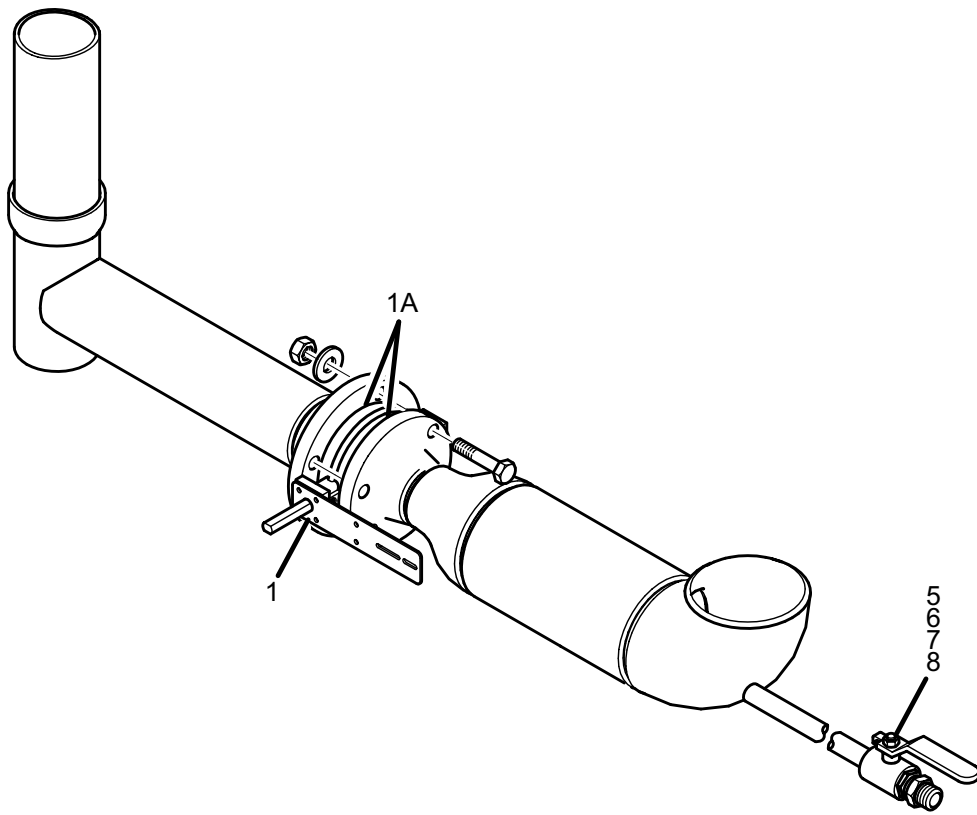


FIGURE 17 - VARIABLE ORIFICE W/O ISOLATION VALVE

LD17766

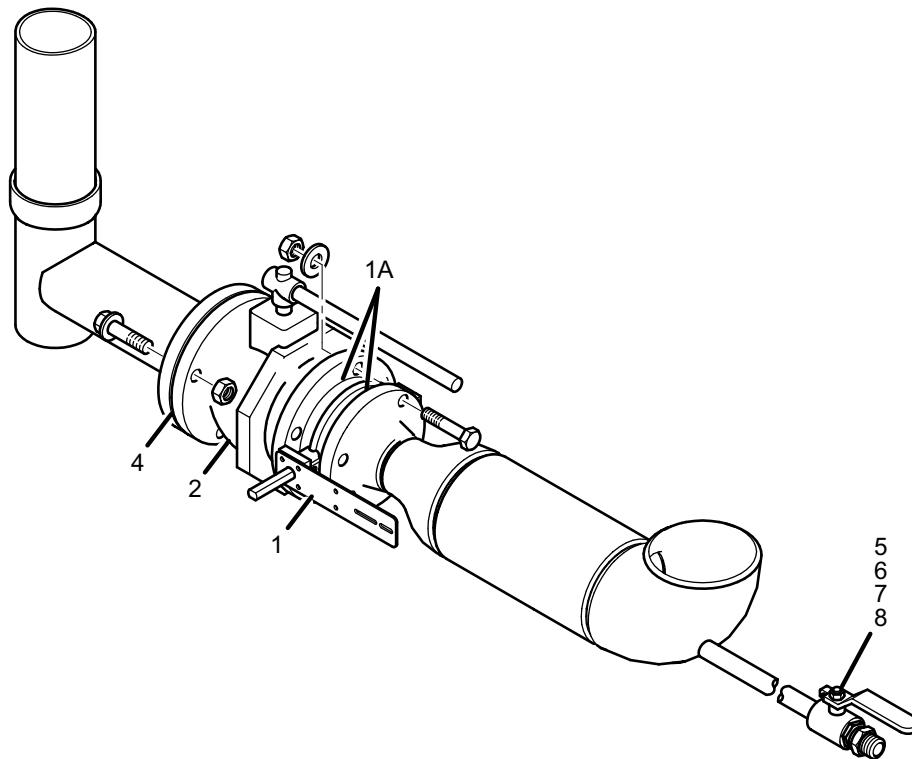


FIGURE 18 - VARIABLE ORIFICE W/ ISOLATION VALVE

LD17767

TABLE 10 - EVAPORATOR RELIEF VALVES

EVAPORATOR WITHOUT ISOLATION VALVE							
SHELL CODE	3-Way Valve	QTY	O-Ring	Relief Valve	Qty	O-Ring	FIG
A, B, C, D	022-10074-000	1	028-12961-017	022-10079-000	2	028-12961-017	19
E, F	022-10073-000	2	028-12961-008	022-10075-000	4	028-12961-008	
G, H, J, T, V, W, X	022-10074-000	2	028-12961-017	022-10076-000	4	028-12961-017	
Y, Z	022-07892-000	1	-	022-07893-025*	2	-	

NOTE: * Relief Valves require Pipe Bushing (023-05791-000).

EVAPORATOR WITH ISOLATION VALVE							
SHELL CODE	Relief Valve	Qty	O-Ring	Relief Valve	Qty	O-Ring	FIG
A, B, C, D	022-10079-000	1	028-12961-017				19
E, F	022-10075-000	2	028-12961-008				
G, H, J, T, V, W, X	022-10076-000	2	028-12961-017				
Y, Z	022-07893-025**	1	-				

NOTE: ** Relief Valves require Flange Relief Valve Companion (023-13837-003).

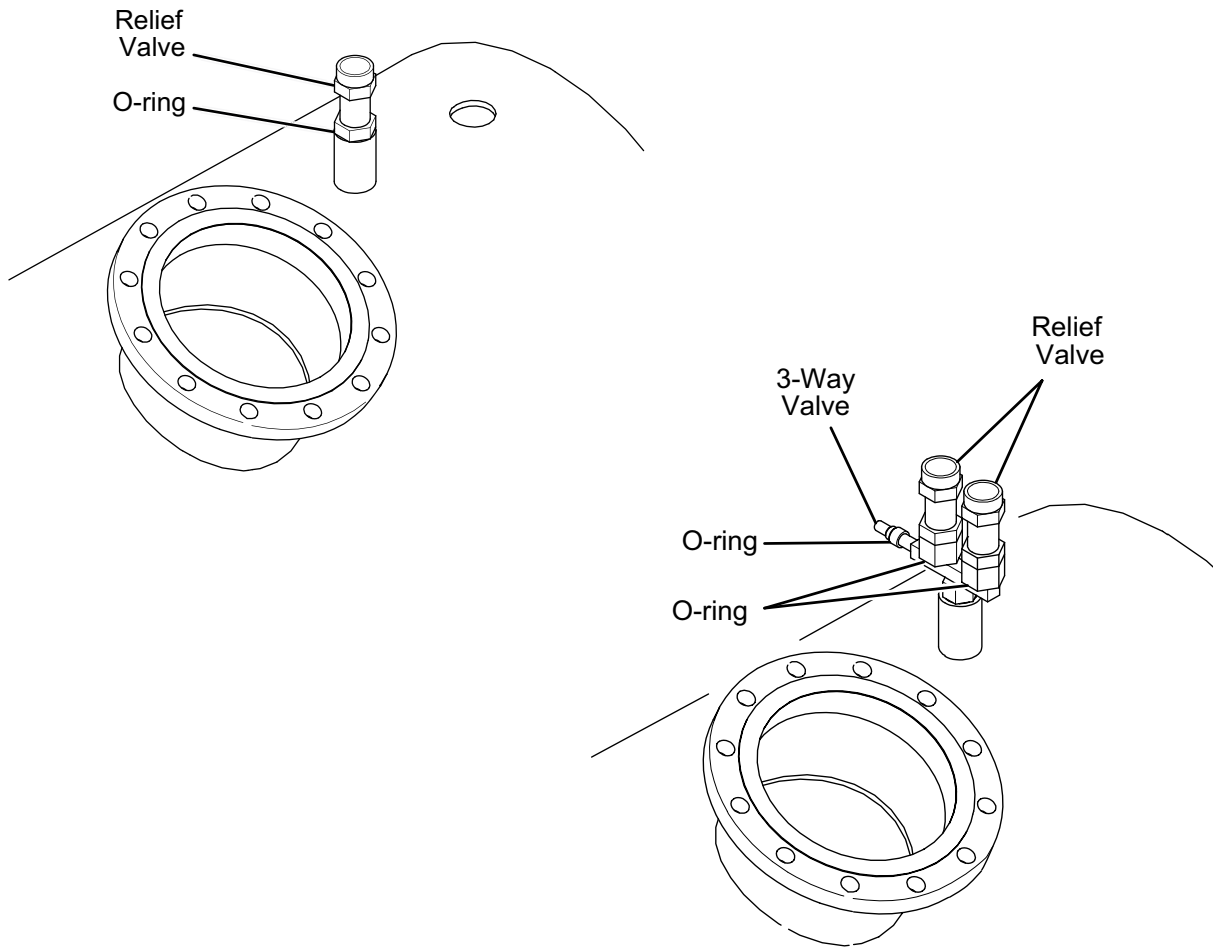


FIGURE 19 - EVAPORATOR RELIEF VALVE

TABLE 11 - CONDENSER RELIEF VALVES

CONDENSER WITHOUT ISOLATION VALVE							
SHELL CODE	3-Way Valve	Qty	O-Ring	Relief Valve	Qty	O-Ring	FIG
A, B, E	022-10073-000	1	028-12961-008	022-10078-000	2	028-12961-008	20
C, D, F, G, H, J, Y, Z	022-10074-000	1	028-12961-017	022-10079-000	2	028-12961-017	
T, V, W, X	022-10073-000	2	028-12961-008	022-10078-000	4	028-12961-008	
CONDENSER WITH ISOLATION VALVE							
SHELL CODE	3-Way Valve	Qty	O-Ring	Relief Valve	Qty	O-Ring	FIG
A, B, E	022-10073-000	1	028-12961-008	022-10078-000	2	028-12961-008	20
C, D, F, G, H, J, Y, Z	022-10074-000	1	028-12961-017	022-10079-000	2	028-12961-017	
T, V, W, X	022-10073-000	2	028-12961-008	022-10078-000	4	028-12961-008	

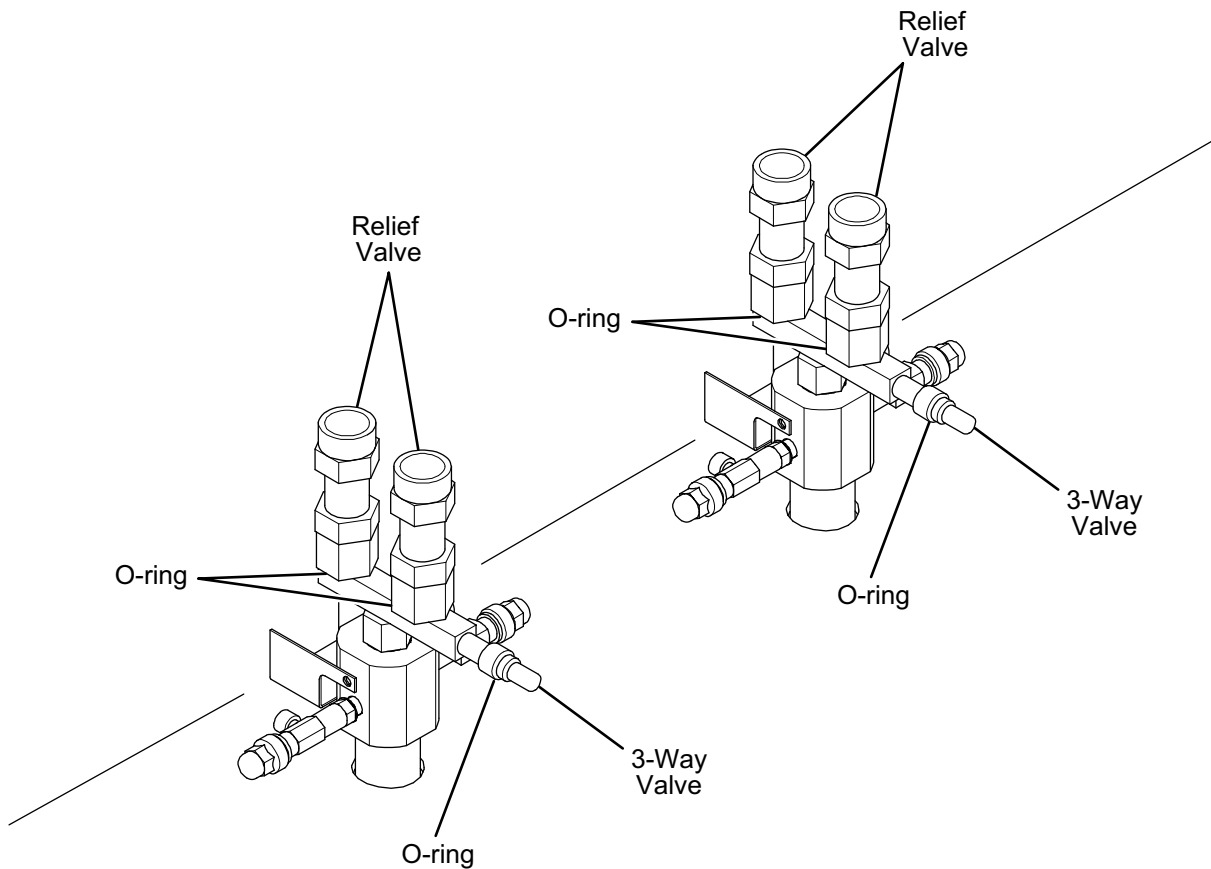


FIGURE 20 - CONDENSER RELIEF VALVE

HOT GAS BYPASS COMPONENTS

TABLE 12 - HOT GAS BYPASS

ITEM	DESCRIPTION	PART NUMBER	QUANTITY	FIGURE
2" OPTION				
1	Valve, Hot Gas Isolation	022-10048-000	1	21
1A	Gasket	064-47078-000	1	
1B	Gasket	028-14463-000	1	
2	Valve, Hot Gas	022-10643-002	1	
2A	O-ring	028-12961-023	2	
3	Motor, Acuator	025-38180-000	1	
14	Kit, PRV Position Sensor	371-02012-001	1	24
3" OPTION				
1	Valve, Hot Gas Isolation	022-09739-000	1	22
1A	Gasket	028-13997-000	2	
2	Valve, Hot Gas	022-10643-003	1	
2A	O-ring	028-12961-025	2	
3	Motor, Acuator	025-38180-000	1	
14	Kit, PRV Position Sensor	371-02012-001	1	24
4" OPTION				
1	Valve, Hot Gas Isolation	022-09740-000	1	23
1A	Gasket	028-13994-000	2	
2	Valve, Hot Gas	022-10643-004	1	
2A	O-ring	028-12961-026	2	
3	Motor, Acuator	028-38180-000	1	
14	Kit, PRV Position Sensor	371-02012-001	1	24

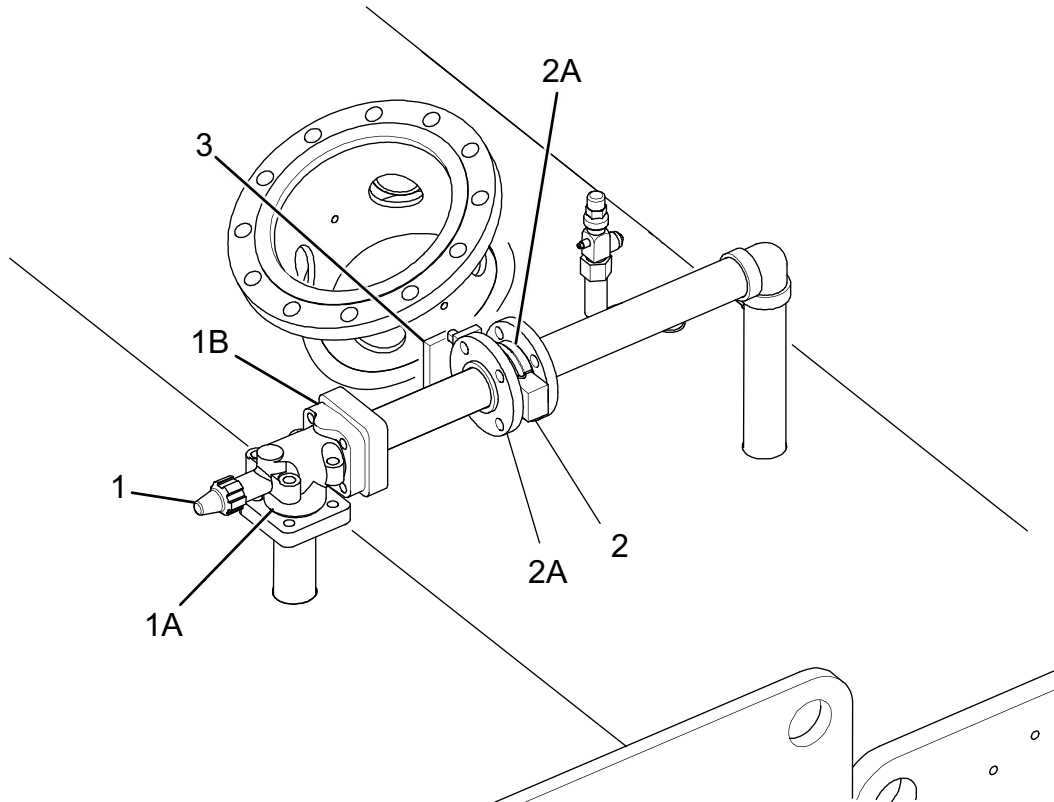


FIGURE 21 - 2" HOT GAS BYPASS

LD08934

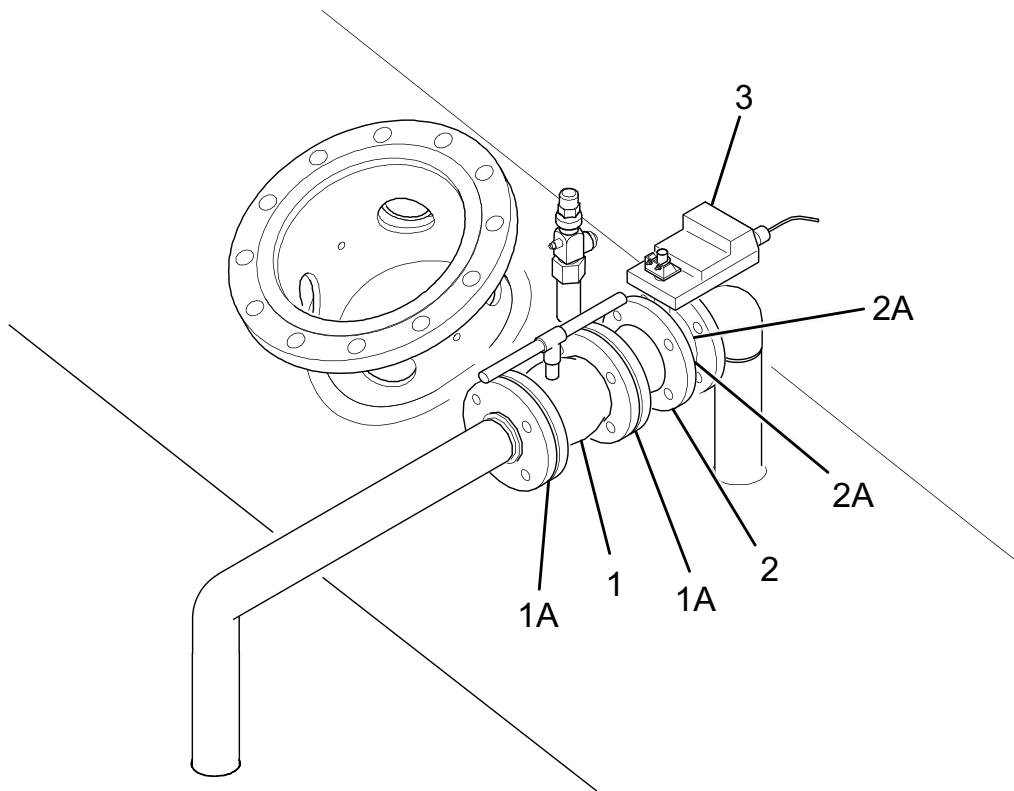


FIGURE 22 - 3" HOT GAS BYPASS

LD08935

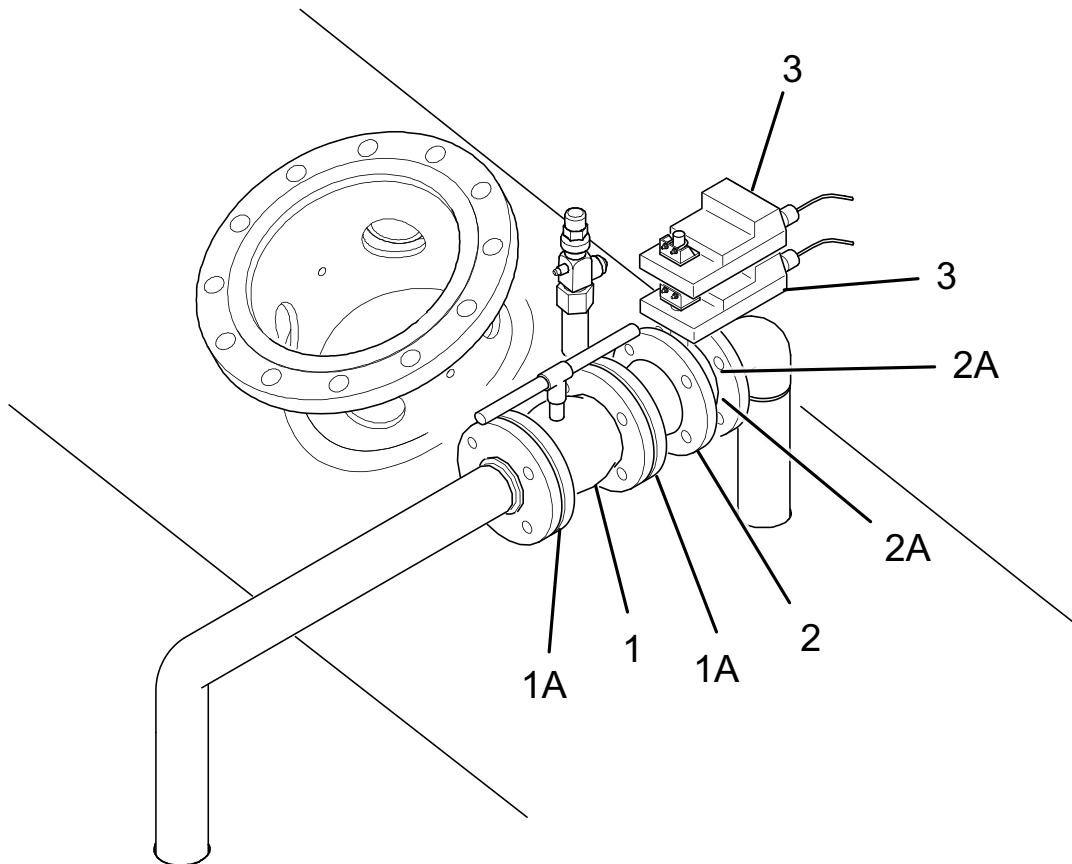


FIGURE 23 - 4" HOT GAS BYPASS

LD08936

PRV POSITION SENSOR KIT

TABLE 13 - PRV POSITION SENSOR KIT

ITEM	DESCRIPTION	PART NUMBER	QUANTITY	FIGURE
1	Cover	071-02012-002	1	24
2	Bracket, Support	371-02012-009	1	24
3	Screw 6 X 1/4	021-13757-000	2	24
4	Pot. 2500 Ohms, 2 Watt	025-32570-000	1	24
5	Strain Relief	571-02012-005	1	24
6	Cable Assembly	021-24196-000	1	24
7	Coupling	021-18674-000	2	24
8	Screw 10-24 X 5/8	021-08292-000	2	24
9	Lockwasher	025-18167-000	2	24
10	Strap, Cable	071-02012-006	1	24
11	Cap	071-02012-007	1	24
12	Shaft, Coupling	021-18487-000	1	24
13	Screw / Washer Assembly 1/4-20 X 1/2	021-18487-000	2	24
14	Kit, Prv Position Sensor	371-02012-001	1	24

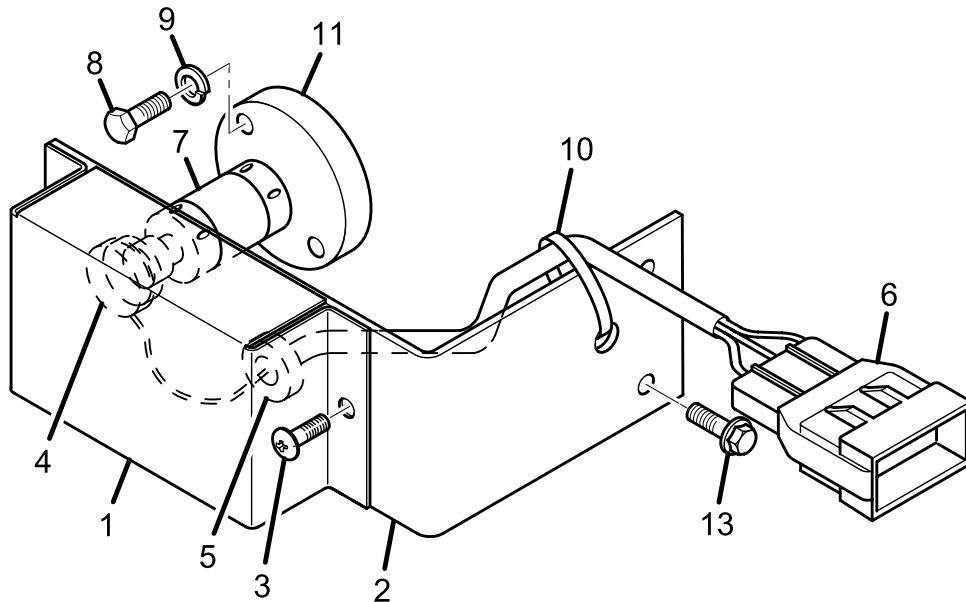


FIGURE 24 - PRV POSITION SENSOR

LD13053

VARIABLE SPEED OIL PUMP CONTROL PANEL

TABLE 14 - VARIABLE SPEED OIL PUMP CONTROL PANEL

ITEM	DESCRIPTION	PART NUMBER	QUANTITY	FIGURE
1	Switch, High Pressure Cutout	025-37890-200	1	25
2	Seal, O-ring 3/8" (for item 28)	028-12961-021	1	25
3	Heatsink	071-02766-301	1	25
4	Terminal Block	025-33267-000	1	25
5	Terminal Block	025-33268-000	3	25
6	Drive, Variable Speed Oil Pump	-	-	25
	200 thru 240V & 346V Units	024-30468-001	1	
	380 thru 480V & 575/600V Units	024-30468-002	1	
7	Contactor with Supressor, 3 Pole, 120 VAC Coil	024-25522-000	1	25
8	Cover, Transformer	371-02797-311	1	25
9	Transformer	-	-	25
	575/600V Units	025-33233-000	3	
	346V Units	025-33232-000	3	
10	Fuseholder	025-37863-000	1	25
11	Fuse, Cartridge Type	-	-	25
	575/600V Units	025-35903-000	3	
	346V Units	025-35906-000	3	
12	Inductor 230V, 200 thru 240V Units	025-37860-000	1	25
	Inductor 460V, 380 thru 480V Units	025-37861-000	1	

200 thru 240V & 380 thru 480V Units

346, 550, 575, & 600V Units

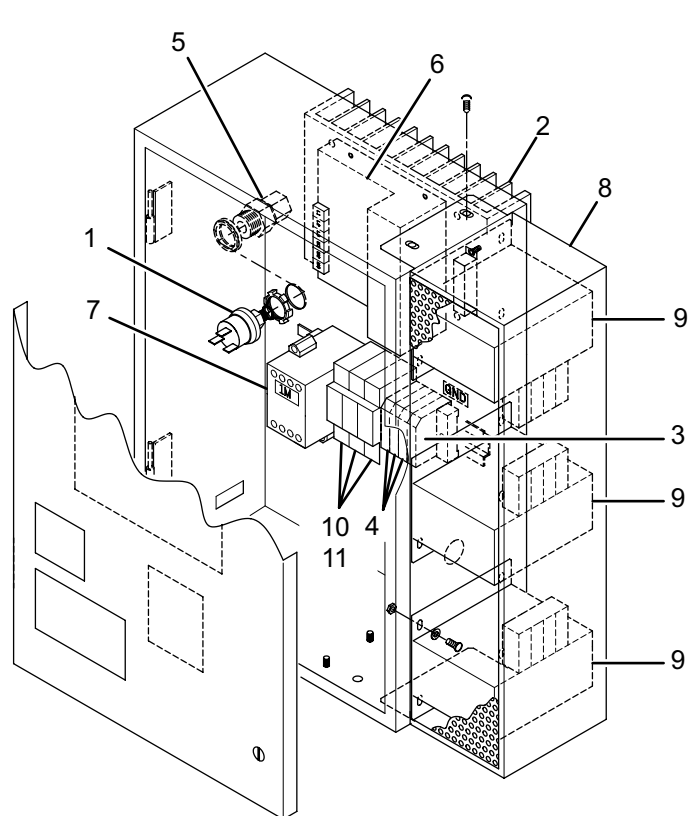
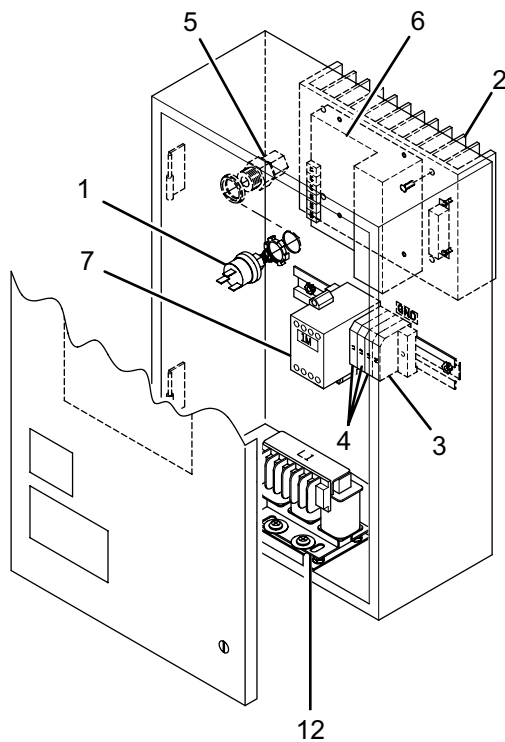


FIGURE 25 - VARIABLE SPEED OIL PUMP PANEL

LD08649

SYSTEM CONTROL COMPONENTS**TABLE 15 - SYSTEM CONTROL COMPONENTS**

ITEM	DESCRIPTION	PART NUMBER	QUANTITY	FIGURE
1	Sensor, Liquid Level, 6-1/2"	025-35144-000	1	26
	Sensor, Liquid Level, w/ DIN Connector	325-40329-000	1	
	Sensor, Liquid Level, R-134a (after 5-2010)	025-43950-006	1	
	Sensor, Liquid Level, R-134a J7 (after 5-2010)	025-43950-008	1	
1A	Gasket, Liquid Level	028-04836-000	1	
1B	Liquid Level Sensor Control Head - Pushbuttons	325-42383-001	1	
1C	Liquid level Sensor Control Head - Potentiometers	025-34146-000	1	
1D	Sensor, Liquid Level - 8" (X and larger Shell Codes)	325-40338-000	1	
1E	Pushbutton Control Head 8" Device	325-42383-002	1	
2	Control Board, Level Sensor	025-34146-000	1	
3	Varister, Metal Oxide	366-87030-000	2	*
4	Sensor, Discharge/Oil Temperature	025-33288-000	2	26
4A	O-ring	028-12961-004	2	
5	Sensor, Water Temperature	025-29964-000	4	26
5A	Sensor Well, Water Temperature	026-32328-000	4	
6	Sensor, Water Flow	025-38145-001	2	26
7	Transducer, Evaporator	025-28678-008	1	26
7A	O-ring	028-12961-002	1	
8	Transducer, Condenser, Low OP, High OP	025-28678-006	3	26
8A	O-ring	028-12961-002	3	
9	Proximity Probe (J Compressors)	025-35900-000	1	*
9A	O-ring	028-12513-000	1	
10	Thrust Bearing Limit Switch (P&H Compressor Only)	025-34535-000	1	*
10A	O-ring	028-12209-000	1	
11	Sensor, Refrigerant Temperature	025-34159-000	1	26
11A	O-ring	028-12961-004	1	
12	Sensor, Condenser Liquid Temperature (H, J, P8, P9 Compressor)	025-29964-000	1	26
	Sensor, Condenser Liquid Temperature (Q, P4 - P7 Compressor)	025-39517-000	1	

NOTE: * items NOT shown

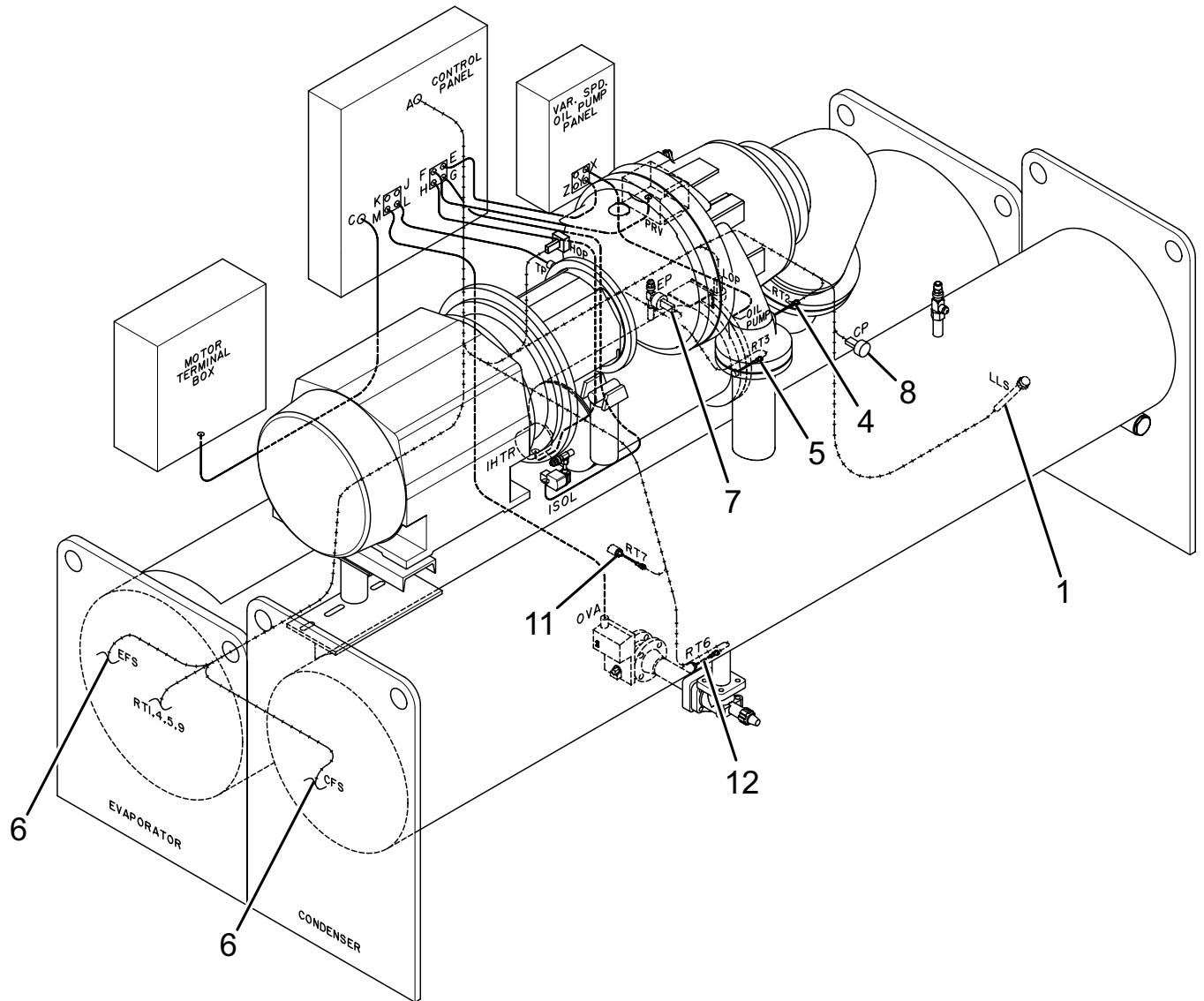


FIGURE 26 - WIRING SYSTEM

EVAPORATOR TUBES

TABLE 16 - 3/4" EVAPORATOR TUBES

Shell Code	Tube Count	3/4" TUBES				
		Turbo B II+	Turbo B II+	Turbo B II+	Turbo B	Turbo B
		R-1145	R-1145	R-1145	R-1055, Cu Ni	R-1055, Cu Ni
		.025 Wall	.028 Wall	.035 Wall	.028 Wall	
		MT #271	MT #272	MT #273	MT #177	MT #179
(Standard)	(Options)					
AP	106	007-10004-000	007-10005-000	007-10006-000	007-08410-000	007-08411-000
AQ	130	007-10004-000	007-10005-000	007-10006-000	007-08410-000	007-08411-000
AR	159	007-10004-000	007-10005-000	007-10006-000	007-08410-000	007-08411-000
AS	194	007-10004-000	007-10005-000	007-10006-000	007-08410-000	007-08411-000
AA	210	007-10004-000	007-10005-000	007-10006-000	007-08410-000	007-08411-000
AB	236	007-10004-000	007-10005-000	007-10006-000	007-08410-000	007-08411-000
AC	280	007-10004-000	007-10005-000	007-10006-000	007-08410-000	007-08411-000
AD	336	007-10004-000	007-10005-000	007-10006-000	007-08410-000	007-08411-000
BA	210	007-10014-000	007-10015-000	007-10016-000	007-08851-000	007-08852-000
BB	236	007-10014-000	007-10015-000	007-10016-000	007-08851-000	007-08852-000
BC	280	007-10014-000	007-10015-000	007-10016-000	007-08851-000	007-08852-000
BD	336	007-10014-000	007-10015-000	007-10016-000	007-08851-000	007-08852-000
CD	277	007-10004-000	007-10005-000	007-10006-000	007-08410-000	007-08411-000
CE	337	007-10004-000	007-10005-000	007-10006-000	007-08410-000	007-08411-000
CF	397	007-10004-000	007-10005-000	007-10006-000	007-08410-000	007-08411-000
CG	468	007-10004-000	007-10005-000	007-10006-000	007-08410-000	007-08411-000
CH	540	007-10004-000	007-10005-000	007-10006-000	007-08410-000	007-08411-000
DE	337	007-10014-000	007-10015-000	007-10016-000	007-08851-000	007-08852-000
DF	397	007-10014-000	007-10015-000	007-10016-000	007-08851-000	007-08852-000
DG	468	007-10014-000	007-10015-000	007-10016-000	007-08851-000	007-08852-000
DH	540	007-10014-000	007-10015-000	007-10016-000	007-08851-000	007-08852-000
EB	399	007-10011-000	007-10012-000	007-10013-000	007-08830-000	007-08644-000
EK	465	007-10004-000	007-10005-000	007-10006-000	007-08410-000	007-08411-000
EL	525	007-10004-000	007-10005-000	007-10006-000	007-08410-000	007-08411-000
EM	594	007-10004-000	007-10005-000	007-10006-000	007-08410-000	007-08411-000
FB	458	007-10011-000	007-10012-000	007-10013-000	007-08830-000	007-08644-000
FC	517	007-10011-000	007-10012-000	007-10013-000	007-08830-000	007-08644-000
FD	566	007-10011-000	007-10012-000	007-10013-000	007-08830-000	007-08644-000
FK	465	007-10014-000	007-10015-000	007-10016-000	007-08851-000	007-08852-000
FL	525	007-10014-000	007-10015-000	007-10016-000	007-08851-000	007-08852-000
FM	594	007-10014-000	007-10015-000	007-10016-000	007-08851-000	007-08852-000
GB	590	007-10011-000	007-10012-000	007-10013-000	007-08830-000	007-08644-000
GC	660	007-10011-000	007-10012-000	007-10013-000	007-08830-000	007-08644-000
GD	755	007-10011-000	007-10012-000	007-10013-000	007-08830-000	007-08644-000
GF	495	007-10007-000	007-10008-000	007-10009-000	007-08849-000	007-08850-000
GH	577	007-10007-000	007-10008-000	007-10009-000	007-08849-000	007-08850-000
GJ	510	007-10004-000	007-10005-000	007-10006-000	007-08410-000	007-08411-000
GK	623	007-10004-000	007-10005-000	007-10006-000	007-08410-000	007-08411-000

EVAPORATOR TUBES (CON'T)

TABLE 16 (CONT'D) - 3/4" EVAPORATOR TUBES

Shell Code	Tube Count	3/4" TUBES				
		Turbo B II+	Turbo B II+	Turbo B II+	Turbo B	Turbo B
		R-1145	R-1145	R-1145	R-1055, Cu Ni	R-1055, Cu Ni
		.025 Wall	.028 Wall	.035 Wall	.028 Wall	
		MT #271	MT #272	MT #273	MT #177	MT #179
(Standard)	(Options)					
GL	758	007-10004-000	007-10005-000	007-10006-000	007-08410-000	007-08411-000
GM	857	007-10004-000	007-10005-000	007-10006-000	007-08410-000	007-08411-000
HB	831	007-10011-000	007-10012-000	007-10013-000	007-08830-000	007-08644-000
HC	947	007-10011-000	007-10012-000	007-10013-000	007-08830-000	007-08644-000
HF	675	007-10007-000	007-10008-000	007-10009-000	007-08849-000	007-08850-000
HH	794	007-10007-000	007-10008-000	007-10009-000	007-08849-000	007-08850-000
HK	623	007-10014-000	007-10015-000	007-10016-000	007-08851-000	007-08852-000
HL	758	007-10014-000	007-10015-000	007-10016-000	007-08851-000	007-08852-000
HM	857	007-10014-000	007-10015-000	007-10016-000	007-08851-000	007-08852-000
JF	933	007-10007-000	007-10008-000	007-10009-000	007-08849-000	007-08850-000
JG	1009	007-10007-000	007-10008-000	007-10009-000	007-08849-000	007-08850-000
JH	1084	007-10007-000	007-10008-000	007-10009-000	007-08849-000	007-08850-000
KJ	510	007-10011-000	007-10012-000	007-10013-000	007-08830-000	007-08644-000
KK	623	007-10011-000	007-10012-000	007-10013-000	007-08830-000	007-08644-000
KL	758	007-10011-000	007-10012-000	007-10013-000	007-08830-000	007-08644-000
KM	857	007-10011-000	007-10012-000	007-10013-000	007-08830-000	007-08644-000
LK	800	007-10011-000	007-10012-000	007-10013-000	007-08830-000	007-08644-000
LL	925	007-10011-000	007-10012-000	007-10013-000	007-08830-000	007-08644-000
LM	1050	007-10011-000	007-10012-000	007-10013-000	007-08830-000	007-08644-000
TF	933	007-10014-000	007-10015-000	007-10016-000	007-08851-000	007-08852-000
TG	1009	007-10014-000	007-10015-000	007-10016-000	007-08851-000	007-08852-000
TH	1084	007-10014-000	007-10015-000	007-10016-000	007-08851-000	007-08852-000
VF	1195	007-10014-000	007-10015-000	007-10016-000	007-08851-000	007-08852-000
VH	1307	007-10014-000	007-10015-000	007-10016-000	007-08851-000	007-08852-000
WF	1493	007-10014-000	007-10015-000	007-10016-000	007-08851-000	007-08852-000
WH	1742	007-10014-000	007-10015-000	007-10016-000	007-08851-000	007-08852-000
XF	1493	007-10017-000	007-10018-000	007-10019-000	007-09622-000	007-09623-000
XH	1742	007-10017-000	007-10018-000	007-10019-000	007-09622-000	007-09623-000
YB	1000	007-10048-000	007-10049-000	007-10050-000	007-10038-000	007-10039-000
YC	1234	007-10048-000	007-10049-000	007-10050-000	007-10038-000	007-10039-000
YD	1493	007-10048-000	007-10049-000	007-10050-000	007-10038-000	007-10039-000
ZB	1537	007-10017-000	007-10018-000	007-10019-000	007-09622-000	007-09623-000
ZC	1699	007-10017-000	007-10018-000	007-10019-000	007-09622-000	007-09623-000
ZD	1850	007-10017-000	007-10018-000	007-10019-000	007-09622-000	007-09623-000

EVAPORATOR TUBES (CON'T)

TABLE 17 - 1" EVAPORATOR TUBES

Shell Code EVAP/*]	Tube Count	1" TUBES					
		GEWA-B4	GEWA-B4	GEWA-B4	Turbo B II	Turbo B II	Turbo B II
		R-1143	R-1143	R-1143	R-1078	R-1078	R-1078
		.025 Wall	.028 Wall	.035 Wall	.025 Wall	.028 Wall	.035 Wall
		MT #286	MT #287	MT #288	MT #291	MT #292	MT #293
(Standard)			-----	-----	-----		
Y1	537	375-64270-119	375-64271-119	375-64272-119	375-64273-119	375-64274-119	375-64275-119
Y2	643	-120	-120	-120	-120	-120	-120
Y3	727	-121	-121	-121	-121	-121	-121
Y4	815	-122	-122	-122	-122	-122	-122
Z1	670	375-64270-126	375-64271-126	375-64272-126	375-64273-126	375-64274-126	375-64275-126
Z2	807	-123	-123	-123	-123	-123	-123
Z3	954	-124	-124	-124	-124	-124	-124
Z4	1063	-125	-125	-125	-125	-125	-125

CONDENSER TUBES

TABLE 18 - 3/4" CONDENSER TUBES

Shell Code	Tube Count		3/4" Tubes				
	Main Bundle	Sub-Cooler	Turbo-CSL	Turbo-CSL	Turbo-CSL	Turbo C	Turbo C
			R-1130	R-1130	R-1130	R-1077	R-1077
			.025 Wall (Standard)	.028 Wall	.035 Wall	Cu Ni 90/10 .028 Wall	Cu Ni 90/10 .035 Wall
MT #	MT #260	MT #261	MT #262	MT #201	MT #203		
AP	136	16	007-09289-000	007-09282-000	007-09283-000	007-08412-000	007-07935-000
AQ	178	16	007-09289-000	007-09282-000	007-09283-000	007-08412-000	007-07935-000
AR	200	16	007-09289-000	007-09282-000	007-09283-000	007-08412-000	007-07935-000
AS	228	16	007-09289-000	007-09282-000	007-09283-000	007-08412-000	007-07935-000
AA	223	24	007-09289-000	007-09282-000	007-09283-000	007-08412-000	007-07935-000
AB	260	24	007-09289-000	007-09282-000	007-09283-000	007-08412-000	007-07935-000
AC	331	24	007-09289-000	007-09282-000	007-09283-000	007-08412-000	007-07935-000
AD	419	24	007-09289-000	007-09282-000	007-09283-000	007-08412-000	007-07935-000
BA	223	24	007-09265-000	007-09266-000	007-09267-000	007-09857-000	007-09858-000
BB	260	24	007-09265-000	007-09266-000	007-09267-000	007-09857-000	007-09858-000
BC	331	24	007-09265-000	007-09266-000	007-09267-000	007-09857-000	007-09858-000
BD	419	24	007-09265-000	007-09266-000	007-09267-000	007-09857-000	007-09858-000
CD	323	32	007-09289-000	007-09282-000	007-09283-000	007-08412-000	007-07935-000
CE	394	32	007-09289-000	007-09282-000	007-09283-000	007-08412-000	007-07935-000
CF	470	32	007-09289-000	007-09282-000	007-09283-000	007-08412-000	007-07935-000
CG	523	32	007-09289-000	007-09282-000	007-09283-000	007-08412-000	007-07935-000
CH	585	32	007-09289-000	007-09282-000	007-09283-000	007-08412-000	007-07935-000
DE	394	32	007-09265-000	007-09266-000	007-09267-000	007-09857-000	007-09858-000
DF	470	32	007-09265-000	007-09266-000	007-09267-000	007-09857-000	007-09858-000
DG	523	32	007-09265-000	007-09266-000	007-09267-000	007-09857-000	007-09858-000
DH	585	32	007-09265-000	007-09266-000	007-09267-000	007-09857-000	007-09858-000
EB	439	42	007-09262-000	007-09263-000	007-09264-000	007-09859-000	007-09860-000
EC	486	42	007-09262-000	007-09263-000	007-09264-000	007-09859-000	007-09860-000
ED	508	42	007-09262-000	007-09263-000	007-09264-000	007-09859-000	007-09860-000
EK	460	42	007-09289-000	007-09282-000	007-09283-000	007-08412-000	007-07935-000
EL	513	42	007-09289-000	007-09282-000	007-09283-000	007-08412-000	007-07935-000
EM	575	42	007-09289-000	007-09282-000	007-09283-000	007-08412-000	007-07935-000
FA	500	52	007-09262-000	007-09263-000	007-09264-000	007-09859-000	007-09860-000
FB	591	52	007-09262-000	007-09263-000	007-09264-000	007-09859-000	007-09860-000
FC	618	52	007-09262-000	007-09263-000	007-09264-000	007-09859-000	007-09860-000
FD	659	52	007-09262-000	007-09263-000	007-09264-000	007-09859-000	007-09860-000
FK	460	42	007-09265-000	007-09266-000	007-09267-000	007-09857-000	007-09858-000
FL	513	42	007-09265-000	007-09266-000	007-09267-000	007-09857-000	007-09858-000
FM	575	42	007-09265-000	007-09266-000	007-09267-000	007-09857-000	007-09858-000
GB	783	52	007-09262-000	007-09263-000	007-09264-000	007-09859-000	007-09860-000
GC	868	52	007-09262-000	007-09263-000	007-09264-000	007-09859-000	007-09860-000
GD	927	52	007-09262-000	007-09263-000	007-09264-000	007-09859-000	007-09860-000
GJ	451	51	007-09289-000	007-09282-000	007-09283-000	007-08412-000	007-07935-000

CONDENSER TUBES (CON'T)**TABLE 18 (CONT'D) - 3/4" CONDENSER TUBES**

Shell Code	Tube Count		3/4" Tubes				
	Main Bundle	Sub-Cooler	Turbo-CSL	Turbo-CSL	Turbo-CSL	Turbo C	Turbo C
			R-1130	R-1130	R-1130	R-1077	R-1077
			.025 Wall (Standard)	.028 Wall	.035 Wall	Cu Ni 90/10 .028 Wall	Cu Ni 90/10 .035 Wall
MT #	MT #260	MT #261	MT #262	MT #201	MT #203		
GK	549	51	007-09289-000	007-09282-000	007-09283-000	007-08412-000	007-07935-000
GL	735	51	007-09289-000	007-09282-000	007-09283-000	007-08412-000	007-07935-000
GM	823	51	007-09289-000	007-09282-000	007-09283-000	007-08412-000	007-07935-000
HB	1054	84	007-09262-000	007-09263-000	007-09264-000	007-09859-000	007-09860-000
HC	1116	84	007-09262-000	007-09263-000	007-09264-000	007-09859-000	007-09860-000
HD	1150	84	007-09262-000	007-09263-000	007-09264-000	007-09859-000	007-09860-000
HK	549	51	007-09265-000	007-09266-000	007-09267-000	007-09857-000	007-09858-000
HL	735	51	007-09265-000	007-09266-000	007-09267-000	007-09857-000	007-09858-000
HM	823	51	007-09265-000	007-09266-000	007-09267-000	007-09857-000	007-09858-000
JB	1313	100	007-09262-000	007-09263-000	007-09264-000	007-09859-000	007-09860-000
JC	1425	100	007-09262-000	007-09263-000	007-09264-000	007-09859-000	007-09860-000
JD	1470	100	007-09262-000	007-09263-000	007-09264-000	007-09859-000	007-09860-000
KJ	451	51	007-09262-000	007-09263-000	007-09264-000	007-09859-000	007-09860-000
KK	549	51	007-09262-000	007-09263-000	007-09264-000	007-09859-000	007-09860-000
KL	735	51	007-09262-000	007-09263-000	007-09264-000	007-09859-000	007-09860-000
KM	823	51	007-09262-000	007-09263-000	007-09264-000	007-09859-000	007-09860-000
LJ	766	84	007-09262-000	007-09263-000	007-09264-000	007-09859-000	007-09860-000
LK	891	84	007-09262-000	007-09263-000	007-09264-000	007-09859-000	007-09860-000
LL	1016	84	007-09262-000	007-09263-000	007-09264-000	007-09859-000	007-09860-000
LM	1141	84	007-09262-000	007-09263-000	007-09264-000	007-09859-000	007-09860-000
TB	1313	100	007-09265-000	007-09266-000	007-09267-000	007-09857-000	007-09858-000
TC	1425	100	007-09265-000	007-09266-000	007-09267-000	007-09857-000	007-09858-000
TD	1470	100	007-09265-000	007-09266-000	007-09267-000	007-09857-000	007-09858-000
VB **	1675	120	007-09265-000	007-09266-000	007-09267-000	007-09857-000	007-09858-000
VC **	1750	120	007-09265-000	007-09266-000	007-09267-000	007-09857-000	007-09858-000
VD **	1887	120	007-09265-000	007-09266-000	007-09267-000	007-09857-000	007-09858-000
XA **	1826	140	007-09608-000	007-09626-000	007-09627-000	007-09861-000	007-09862-000
XB **	1992	140	007-09608-000	007-09626-000	007-09627-000	007-09861-000	007-09862-000
XC **	2183	140	007-09608-000	007-09626-000	007-09627-000	007-09861-000	007-09862-000
XD **	2233	140	007-09608-000	007-09626-000	007-09627-000	007-09861-000	007-09862-000
YB **	1522	180	007-10051-000	007-10052-000	007-10053-000	007-10040-000	007-10041-000
YC **	1688	180	007-10051-000	007-10052-000	007-10053-000	007-10040-000	007-10041-000
YD **	1854	180	007-10051-000	007-10052-000	007-10053-000	007-10040-000	007-10041-000
ZB **	1799	180	007-09608-000	007-09626-000	007-09627-000	007-09861-000	007-09862-000
ZC **	2029	180	007-09608-000	007-09626-000	007-09627-000	007-09861-000	007-09862-000
ZD **	2325	180	007-09608-000	007-09626-000	007-09627-000	007-09861-000	007-09862-000

** = Used with J3, J4, J5 & J7 Compressors

CONDENSER TUBES (CON'T)

TABLE 19 - 1" CONDENSER TUBES

Shell Code	Tube Count *(info only)		1" Tubes			
	Main Bundle	Sub-Cooler	Turbo-CSL	Turbo-CSL	Turbo-CSL	GEWA-C4
			R-1130	R-1130	R-1130	R-1147
			.025 Wall (Standard)	.028 Wall	.035 Wall	.028 Wall
Main Bundle MT #		MT #266	MT #267	MT #268	MT #317	
[COND/*]	* Sub-Cooler MT #		MT #260	MT #261	MT #262	MT #261
Z1 **	576	180	375-64283-126	375-64284-126	375-64285-126	375-64286-126
Z2 **	710	180	-123	-123	-123	-123
Z3 **	955	180	-124	-124	-124	-124
Z4**	1215	180	-125	-125	-125	-125

** = Used with J3, J4, J5 & J7 Compressors

WATERBOX GASKETS Q & P COMPRESSOR UNITS

TABLE 20 - EVAPORATOR AND CONDENSER 150# COMPACT WATERBOXES (Q & P COMPRESSORS)

SHELL CODE	1-PASS		2-PASS		3-PASS	
	GASKET	FEET REQ'D	GASKET	FEET REQ'D	GASKET	FEET REQ'D
A	028-09951	20	028-09951	20	028-09951	20
B	028-09951	20	028-09951	20	028-09951	20
C	028-09951	21	028-09951	21	028-09951	21
D	028-09951	21	028-09951	21	028-09951	21

NOTE: When ordering Gasket Material specify length required by replacing the -000 with either -025 for 25', -050 for 50', or -100 for 100'.

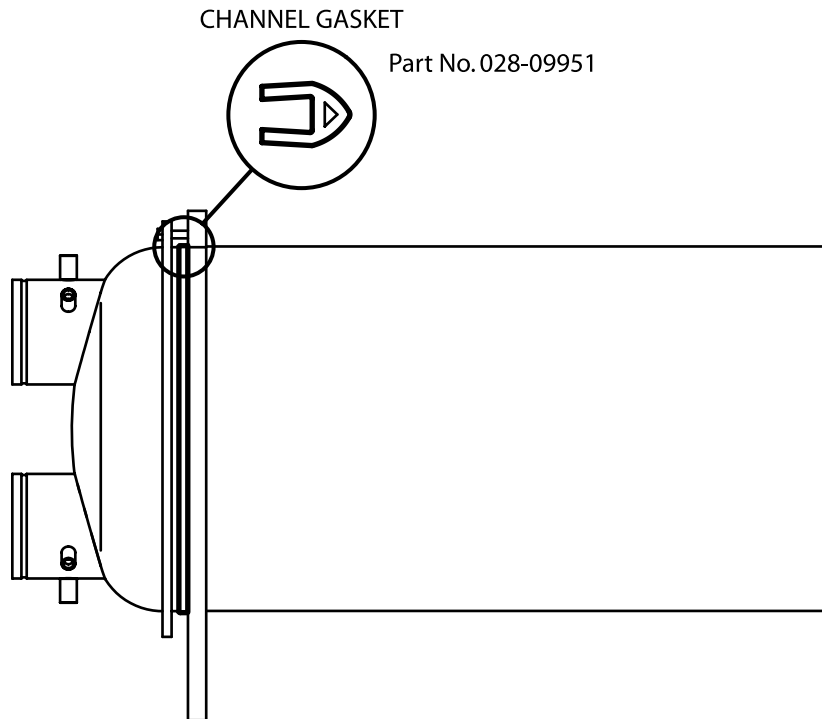


FIGURE 27 - 150# COMPACT WATERBOXES

LD08510

WATERBOX GASKETS (Con't) Q & P COMPRESSOR UNITS

TABLE 21 - EVAPORATOR AND CONDENSER 300# COMPACT WATERBOXES (Q & P COMPRESSORS)

SHELL CODE	1-PASS		2-PASS		3-PASS	
	GASKET	FEET REQ'D	GASKET	FEET REQ'D	GASKET	FEET REQ'D
A	028-03242	16	028-03242	16	028-03242	16
			028-09951	2.5	028-09951	4
B	028-03242	16	028-03242	16	028-03242	16
			028-09951	2.5	028-09951	4
C	028-03242	18	028-03242	18	028-03242	18
			028-09951	3	028-09951	5.5
D	028-03242	18	028-03242	18	028-03242	18
			028-09951	3	028-09951	5.5

NOTE: When ordering Gasket Material specify length required by replacing the -000 with either -025 for 25', -050 for 50', or -100 for 100'.

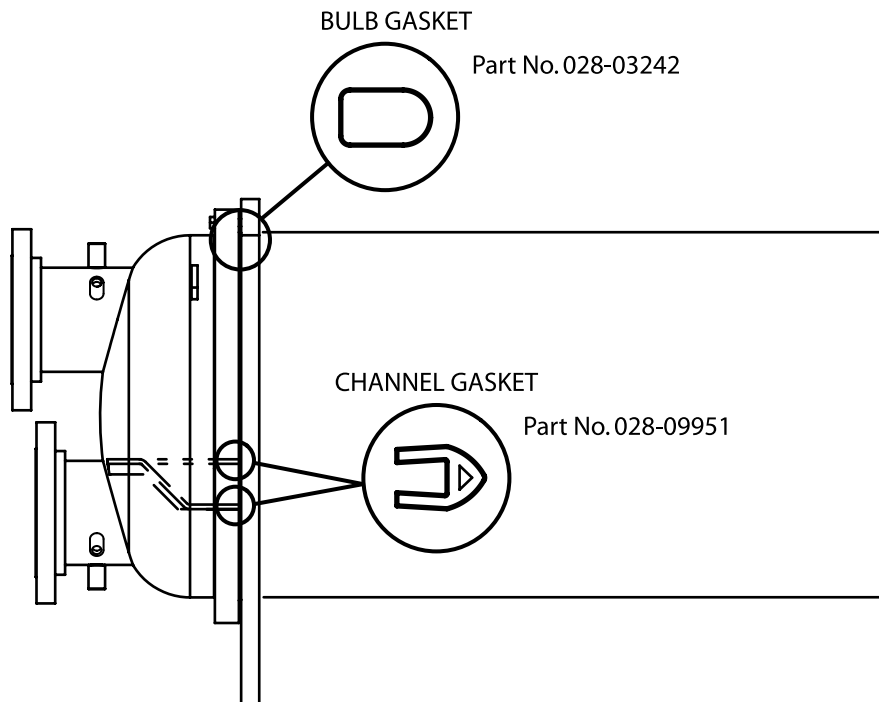


FIGURE 28 - 300# COMPACT WATERBOXES

LD08512

WATERBOX GASKETS (Con't) Q & P COMPRESSOR UNITS

TABLE 22 - EVAPORATOR AND CONDENSER 150# MARINE WATERBOXES (Q & P COMPRESSORS)

SHELL CODE	1-PASS		2-PASS		3-PASS	
	GASKET	FEET REQ'D	GASKET	FEET REQ'D	GASKET	FEET REQ'D
A	028-03242	33	028-03242	16.5	028-03242	33
			028-09951	13	028-09951	9
B	028-03242	33	028-03242	16.5	028-03242	33
			028-09951	13	028-09951	9
C	028-03242	36	028-03242	18	028-03242	36
			028-09951	11	028-09951	5
D	028-03242	36	028-03242	18	028-03242	36
			028-09951	11	028-09951	5

NOTE: When ordering Gasket Material specify length required by replacing the -000 with either -025 for 25', -050 for 50', or -100 for 100'.

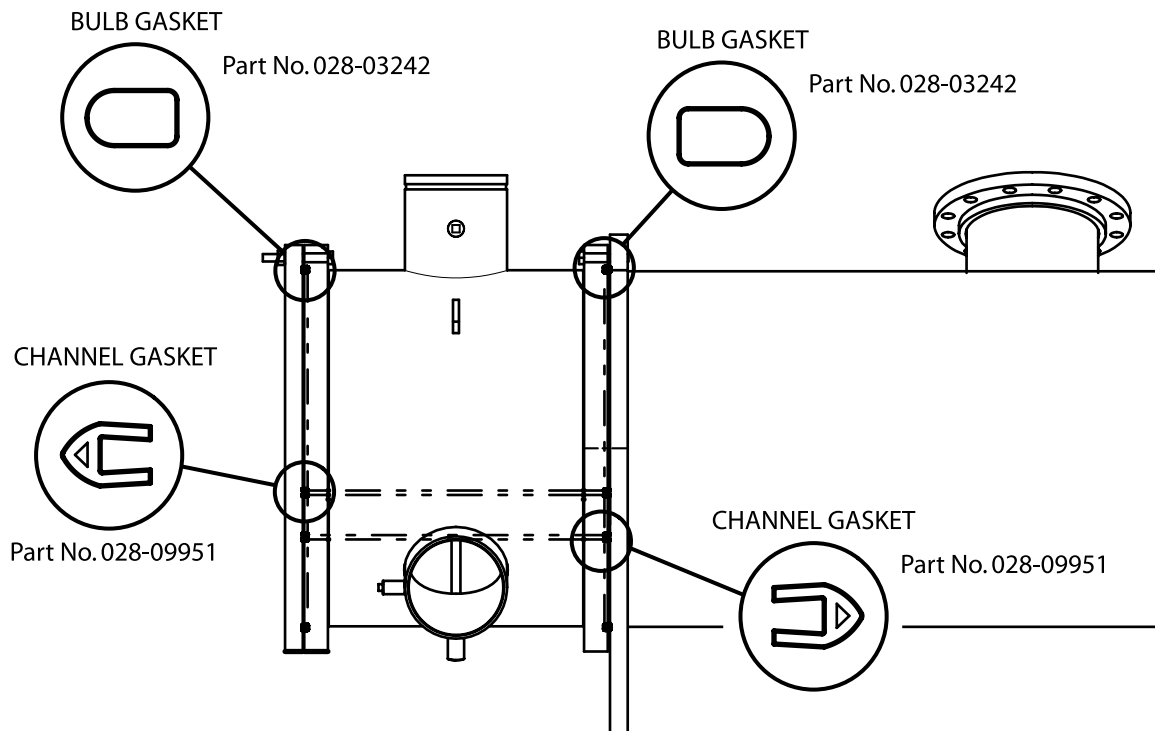


FIGURE 29 - 150# MARINE WATERBOXES (Q & P COMPRESSORS)

LD08513

WATERBOX GASKETS (Con't) Q & P COMPRESSOR UNITS

TABLE 23 - EVAPORATOR AND CONDENSER 300# MARINE WATERBOXES (Q & P COMPRESSORS)

SHELL CODE	1-PASS		2-PASS		3-PASS	
	GASKET	FEET REQ'D	GASKET	FEET REQ'D	GASKET	FEET REQ'D
A	028-03242	33	028-03242	24.7	028-03242	33
			028-09951	5	028-09951	9
B	028-03242	33	028-03242	24.7	028-03242	33
			028-09951	5	028-09951	9
C	028-03242	36	028-03242	27	028-03242	36
			028-09951	2	028-09951	5.5
D	028-03242	36	028-03242	27	028-03242	36
			028-09951	2	028-09951	5.5

NOTE: When ordering Gasket Material specify length required by replacing the -000 with either -025 for 25', -050 for 50', or -100 for 100'.

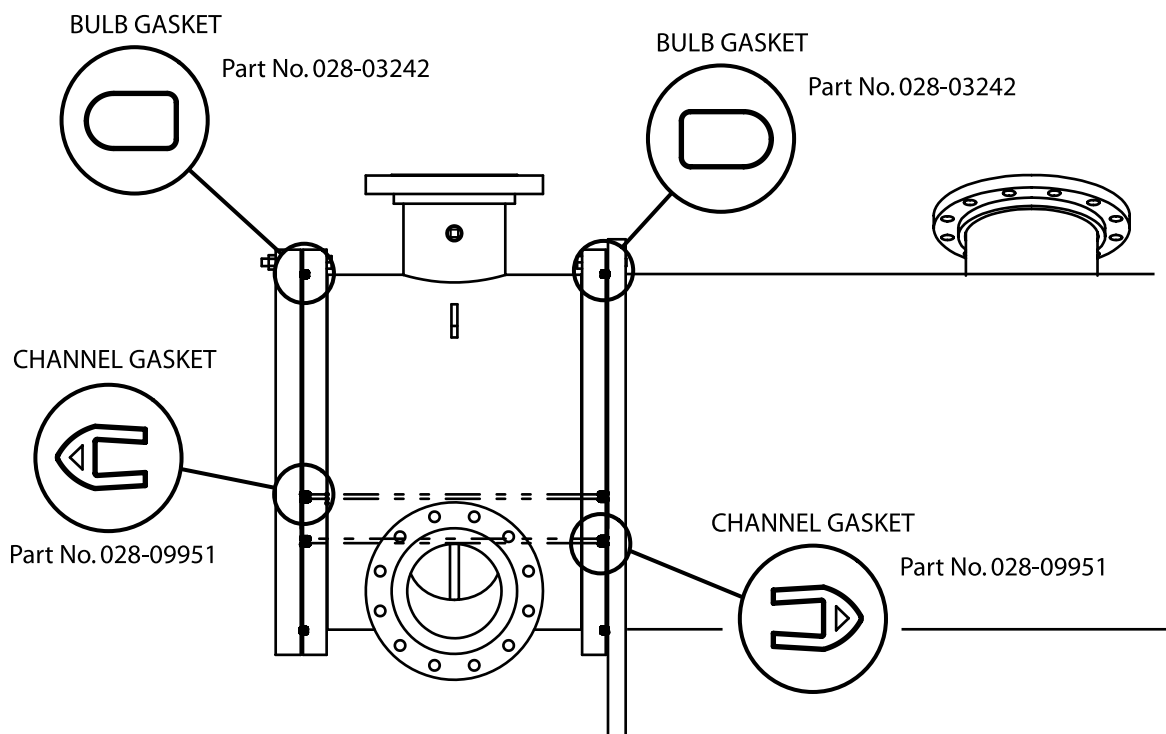


FIGURE 30 - 300# MARINE WATERBOXES (Q & P COMPRESSORS)

LD08511

WATER BOX GASKETS (Con't) Q7, P7-P9 & H COMPRESSOR UNITS

TABLE 24 - EVAPORATOR AND CONDENSER 150# COMPACT WATERBOXES (Q7, P7-P9 & H COMPRESSORS)

SHELL CODE	1-PASS		2-PASS		3-PASS	
	GASKET	FEET REQ'D	GASKET	FEET REQ'D	GASKET	FEET REQ'D
C	028-09951	16.5	028-09951	19.25	028-09951	21.25
D	028-09951	20	028-09951	23.25	028-09951	23
E	028-09951	20	028-09951	23.25	028-09951	23
F	028-09951	20	028-09951	23.25	028-09951	23
G	028-09951	24.75	028-09951	29	028-09951	32
H	028-09951	24.75	028-09951	29	028-09951	32

NOTE: When ordering Gasket Material specify length required by replacing the -000 with either -025 for 25', -050 for 50', or -100 for 100'.

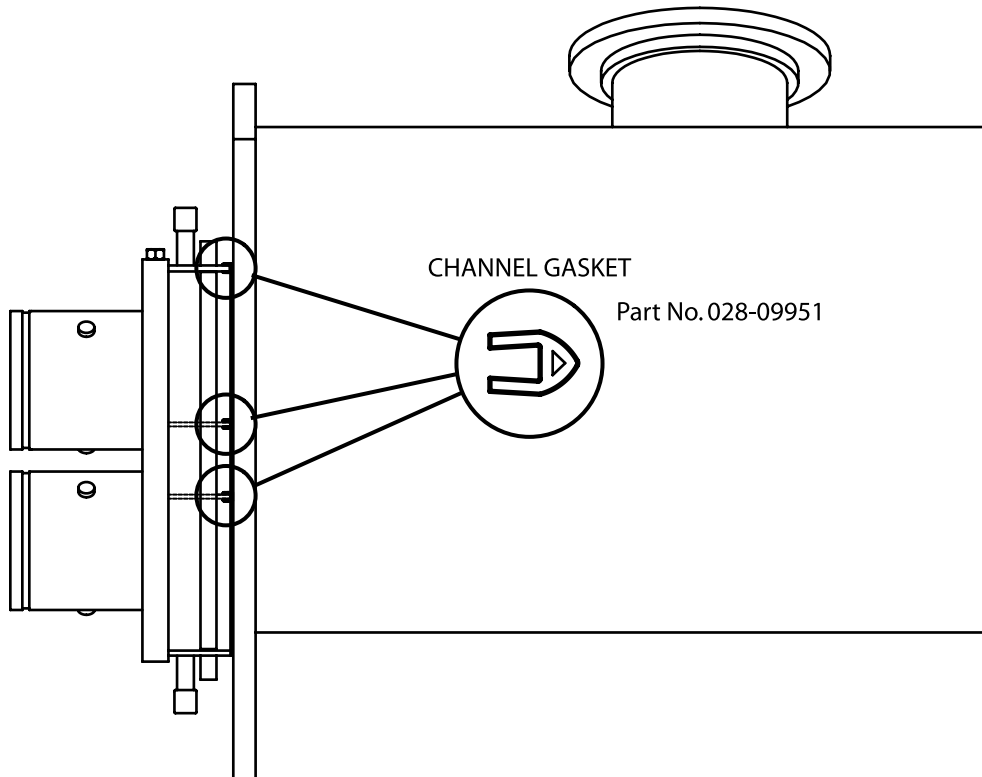


FIGURE 31 - 150# COMPACT WATERBOXES (Q7, P7-P9 & H9)

LD08514

WATER BOX GASKETS (Con't) Q7, P7-P9 & H COMPRESSOR UNITS

TABLE 25 - EVAPORATOR AND CONDENSER 150# MARINE WATERBOXES (Q7, P7-P9 & H COMPRESSORS)

SHELL CODE	1-PASS		2-PASS		3-PASS	
	GASKET	FEET REQ'D	GASKET	FEET REQ'D	GASKET	FEET REQ'D
C	028-03242	34	028-03242	17	028-03242	34
			028-09951	14	028-09951	10
D	028-03242	40	028-03242	20	028-03242	40
			028-09951	16.5		
E	028-03242	40	028-03242	20	028-03242	40
			028-09951	16.5		
F	028-03242	40	028-03242	20	028-03242	40
			028-09951	16.5		
G	028-03242	50	028-03242	25	028-03242	50
			028-09951	21	028-09951	15
H	028-03242	50	028-03242	25	028-03242	50
			028-09951	21	028-09951	15

NOTE: When ordering Gasket Material specify length required by replacing the -000 with either -025 for 25', -050 for 50', or -100 for 100'.

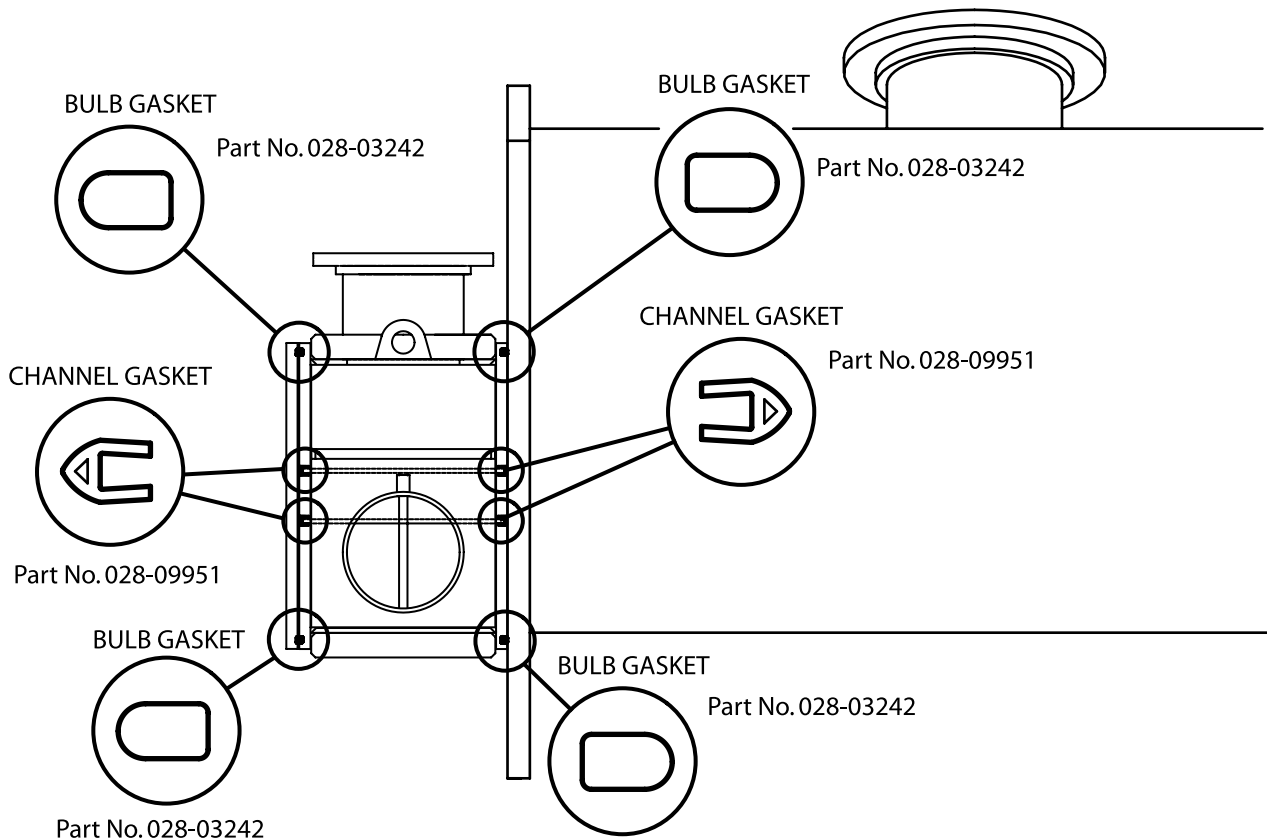


FIGURE 32 - 150# MARINE WATERBOXES (Q7, P7-P9 & H9)

LD08515

WATER BOX GASKETS (Con't) J COMPRESSOR UNITS

TABLE 26 - EVAPORATOR 150# COMPACT WATERBOXES (J COMPRESSORS)

SHELL CODE	1-PASS		2-PASS		3-PASS	
	GASKET	FEET REQ'D	GASKET	FEET REQ'D	GASKET	FEET REQ'D
G	028-03242	23	028-03242	23	028-03242	23
			028-09951	4	028-09951	4
H	028-03242	24	028-03242	24	028-03242	24
			028-09951	4.5	028-09951	4.5
J	028-03242	27	028-03242	27	028-03242	27
			028-09951	5.5	028-09951	5
T	028-03242	27	028-03242	27	028-03242	27
			028-09951	5.5	028-09951	5
V	028-03242	27	028-03242	27	028-03242	27
			028-09951	5.5	028-09951	10
W	028-03242	29	028-03242	29	028-03242	29
			028-09951	6	028-09951	10

NOTE: When ordering Gasket Material specify length required by replacing the -000 with either -025 for 25', -050 for 50', or -100 for 100'.

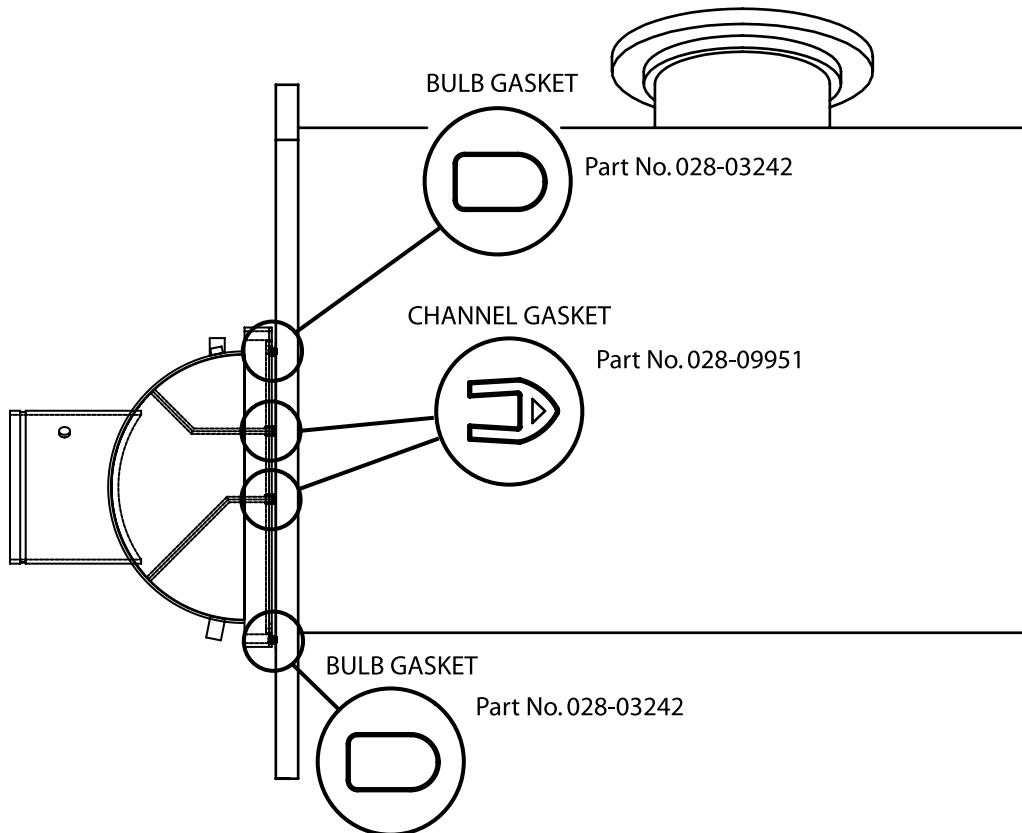


FIGURE 33 - 150# COMPACT WATERBOXES (J COMPRESSORS)

LD08516

WATER BOX GASKETS (Con't) J COMPRESSOR UNITS

TABLE 27 - EVAPORATOR 150# MARINE WATERBOXES (J COMPRESSORS)

SHELL CODE	1-PASS		2-PASS		3-PASS	
	GASKET	FEET REQ'D	GASKET	FEET REQ'D	GASKET	FEET REQ'D
G	028-03242	45	028-03242	45	028-03242	45
			028-09951	7.5	028-09951	14
H	028-03242	48	028-03242	48	028-03242	48
			028-09951	8	028-09951	17
J	028-03242	52	028-03242	52	028-03242	52
			028-09951	9	028-09951	15
T	028-03242	52	028-03242	52	028-03242	52
			028-09951	9	028-09951	15
V	028-03242	52	028-03242	52	028-03242	52
			028-09951	9	028-09951	16
W	028-03242	59	028-03242	44	028-03242	59
			028-09951	11	028-09951	19

NOTE: When ordering Gasket Material specify length required by replacing the -000 with either -025 for 25', -050 for 50', or -100 for 100'.

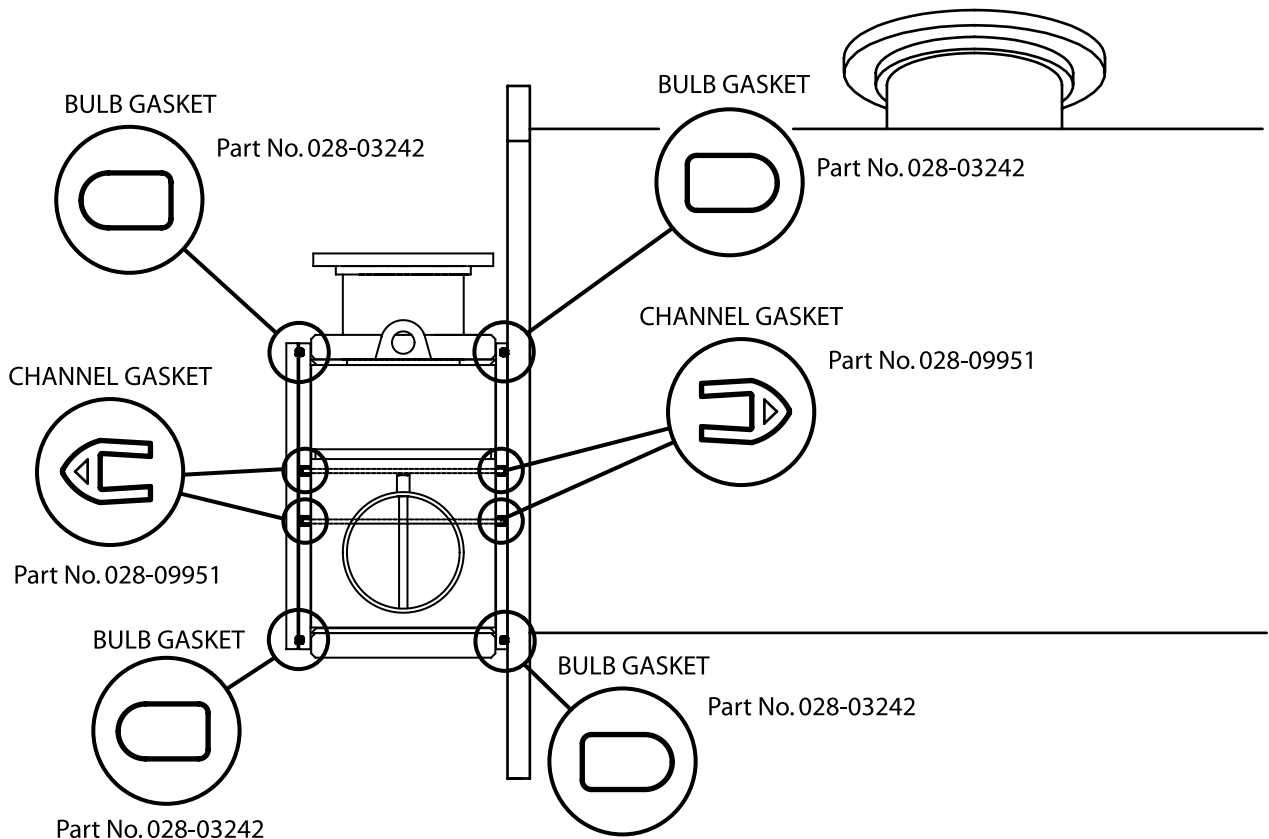


FIGURE 34 - 150# MARINE WATERBOXES (J COMPRESSORS)

WATER BOX GASKETS (Con't) Q7, P7-P9 & H COMPRESSOR UNITS

TABLE 28 - CONDENSER COMPACT WATERBOXES (Q7, P7-P9 & H COMPRESSORS)

SHELL CODE	1-PASS		2-PASS		3-PASS	
	GASKET	FEET REQ'D	GASKET	FEET REQ'D	GASKET	FEET REQ'D
C	028-09951	18	028-09951	20.25	028-09951	22.25
D	028-09951	18	028-09951	20.25	028-09951	20.25
E	028-09951	20.25	028-09951	23	028-09951	25.5
F	028-09951	22.5	028-09951	23	028-09951	25.5
G	028-09951	25	028-09951	28	028-09951	31

NOTE: When ordering Gasket Material specify length required by replacing the -000 with either -025 for 25', -050 for 50', or -100 for 100'.

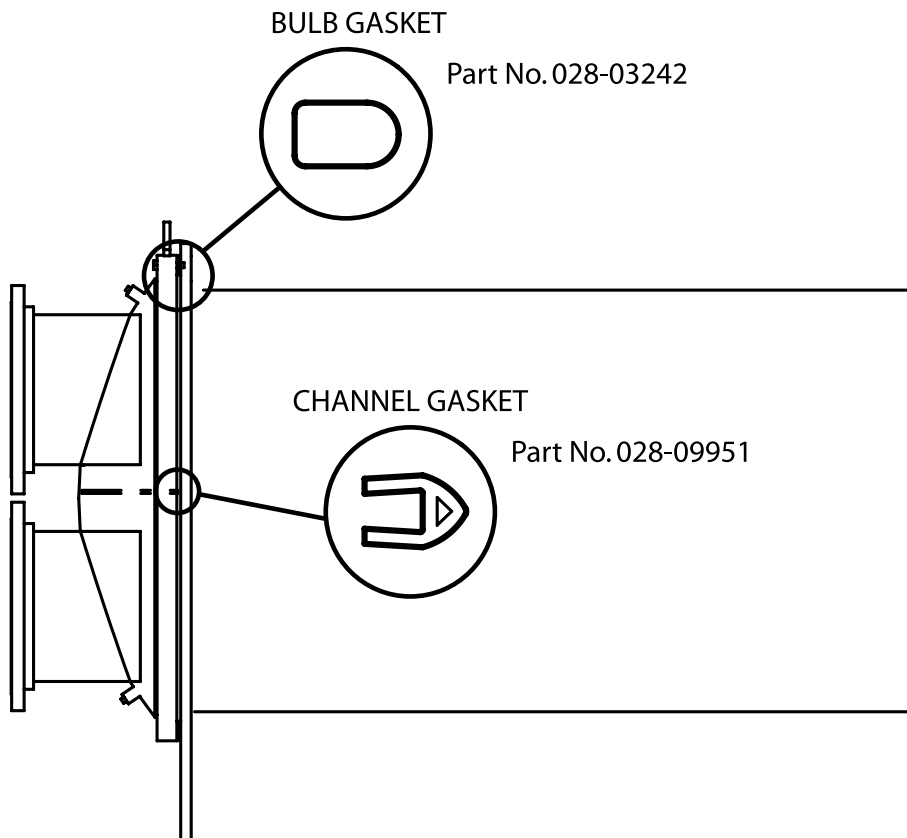


FIGURE 35 - COMPACT WATERBOXES (Q7, P7-P9 & H COMPRESSORS)

LD08923

WATER BOX GASKETS (Con't) G & H COMPRESSOR UNITS

TABLE 29 - CONDENSER MARINE WATERBOXES (G & H COMPRESSORS)

SHELL CODE	1-PASS		2-PASS		3-PASS	
	GASKET	FEET REQ'D	GASKET	FEET REQ'D	GASKET	FEET REQ'D
C	028-09951	36.5	028-03242	18.25	028-03242	36.5
			028-09951	13.25	028-09951	8.5
D	028-03242	36.5	028-03242	18.25	028-03242	36.5
			028-09951	13.25	028-09951	13.25
E	028-03242	42	028-03242	21	028-03242	42
			028-09951	17	028-09951	10
F	028-03242	46	028-03242	23	028-03242	50.75
			028-09951	17	028-09951	12.25
G	028-03242	50.75	028-03242	25.375	028-03242	50.75
			028-09951	18.375	028-09951	12.25

NOTE: When ordering Gasket Material specify length required by replacing the -000 with either -025 for 25', -050 for 50', or -100 for 100'.

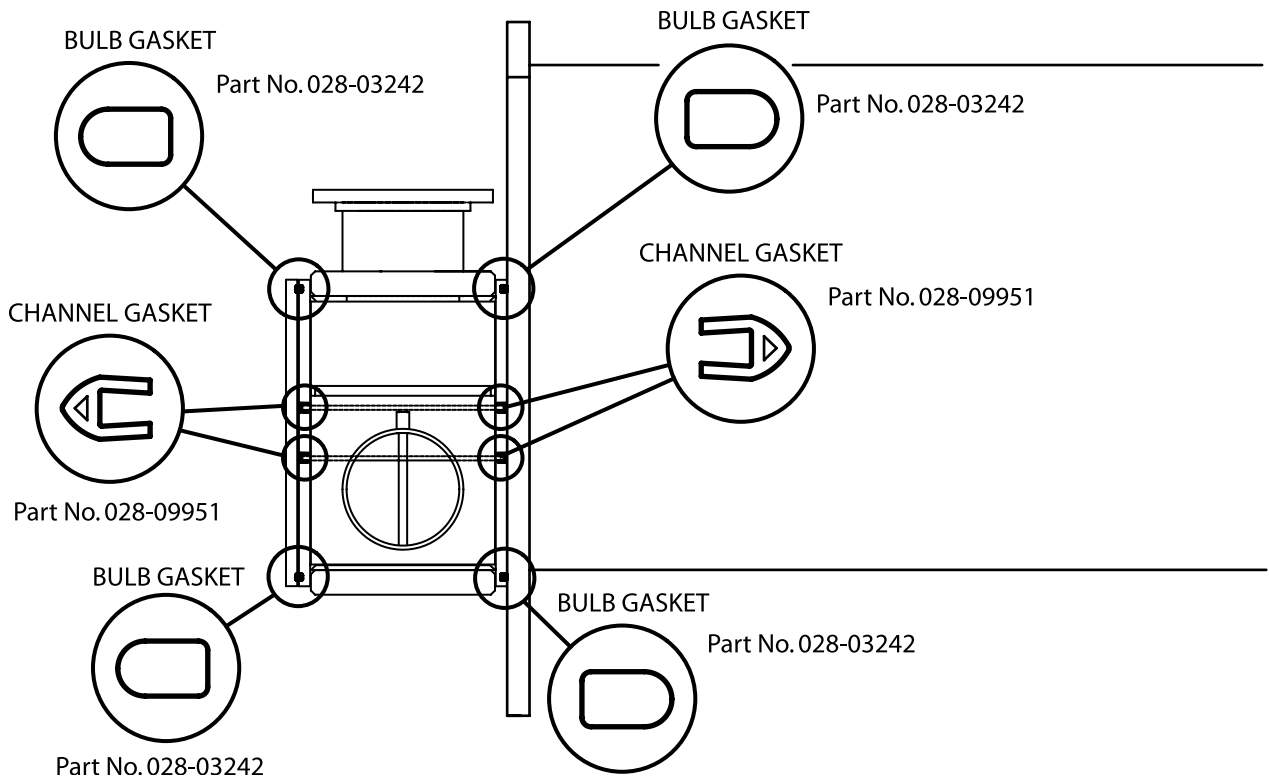


FIGURE 36 - MARINE WATERBOXES (G & H COMPRESSORS)

WATER BOX GASKETS (Con't) J COMPRESSOR UNITS

TABLE 30 - CONDENSER COMPACT WATERBOXES (J COMPRESSORS)

SHELL CODE	1-PASS		2-PASS		3-PASS	
	GASKET	FEET REQ'D	GASKET	FEET REQ'D	GASKET	FEET REQ'D
G	028-09951	25	028-09951	28	028-09951	31
H	028-03242	21.5	028-03242	21.5	028-03242	21.5
			028-09951	3.5	028-09951	6.5
J	028-03242	23.75	028-03242	23.75	028-03242	23.75
			028-09951	3.75	028-09951	7.25
T	028-03242	23.75	028-03242	23.75	028-03242	23.75
			028-09951	3.75	028-09951	7.25
V	028-03242	26.25	028-03242	26.25	028-03242	26.25
			028-09951	4.25	028-09951	8

NOTE: When ordering Gasket Material specify length required by replacing the -000 with either -025 for 25', -050 for 50', or -100 for 100'.

TABLE 31 - CONDENSER MARINE WATERBOXES (J COMPRESSORS)

SHELL CODE	1-PASS		2-PASS		3-PASS	
	GASKET	FEET REQ'D	GASKET	FEET REQ'D	GASKET	FEET REQ'D
G	028-09951	50.75	028-03242	25.5	028-03242	50.75
			028-09951	18.5	028-09951	12.25
H	028-03242	43.5	028-03242	33	028-03242	43.5
			028-09951	6.75	028-09951	13
J	028-03242	47.5	028-03242	36	028-03242	47.5
			028-09951	7.25	028-09951	14
T	028-03242	47.5	028-03242	36	028-03242	47.5
			028-09951	7.25	028-09951	14
V	028-03242	52.75	028-03242	39.75	028-03242	52.75
			028-09951	8	028-09951	15.5

NOTE: When ordering Gasket Material specify length required by replacing the -000 with either -025 for 25', -050 for 50', or -100 for 100'.

NEOPRENE VIBRATION ISOLATORS

TABLE 32 - NEOPRENE VIBRATION ISOLATORS

SYSTEM OPERATING WEIGHT		PART NUMBER (Includes Quantity of 4 Pads)	PAD SIZE
KILOGRAMS	POUNDS		
Up to 7,423	Up to 16,365	028-14462-000	5.5" x 5.5" (14 x 14 cm)
7,424 to 13,107	16,366 to 28,835	028-14459-000	7" x 5.5" (23 x 14 cm)
13,108 to 24,332	28,836 to 53,530	028-14460-000	9" x 7" (23 x 18 cm)
24,333 to 45,666	53,531 to 100,464	028-14461-000	11" x 10" (30 x 25.4 cm)
45,667 to 58,967	100,465 to 130,000	028-15070-000	12" x 11" (30.5 x 30 cm)

SPRING ISOLATORS

TABLE 33 - SPRING ISOLATORS

SYSTEM OPERATING WEIGHT		PART NUMBER (Includes Brackets and Hardware)	QUANTITY (Number of Mounts Per Package)
KILOGRAMS	POUNDS		
4,536 to 8,873	10,000 to 19,563	029-23716-000	4
8,874 to 11,093	19,564 to 24,457	029-21793-000	4
11,094 to 13,982	24,458 to 30,826	029-21376-000	4
13,983 to 15,880	30,827 to 35,009	029-20933-000	4
15,881 to 20,974	35,010 to 46,239	029-20934-000	4
20,975 to 26,467	46,240 to 58,349	029-20935-000	4
26,468 to 35,031	58,350 to 77,229	029-20936-000	4
35,032 to 40,525	77,230 to 89,340	029-21388-000	4
40,526 to 52,163	89,341 to 115,000	029-24121-000	4

INLET CHILLED WATER STRAINER COMPACT HEADS AND MARINE WATER BOXES

TABLE 34 - INLET CHILLED WATER STRAINER

SHELL CODE	PASS	NOZZLE SIZE	PART NUMBER
C	1	12	029-12951-000
	2	8	029-12949-000
	3	6	029-12948-000
D	1	12	029-12951-000
	2	8	029-12949-000
	3	8	029-12949-000
E	1	14	029-14727-000
	2	10	029-12950-000
	3	8	029-12949-000
F	1	14	029-14727-000
	2	10	029-12950-000
	3	8	029-12949-000
G	1	16	029-14811-000
	2	12	029-12951-000
	3	10	029-12950-000
H	1	16	029-14811-000
	2	12	029-12951-000
	3	10	029-12950-000
JF, JG, JH, TF, TG, TH	1	18	029-20932-000
	2	14	029-14727-000
	3	12	029-12951-000
VF, VH	1	20	029-22729-000
	2	16	029-14811-000
	3	12	029-12951-000
WF, WH	1	20	029-22729-000
	2	18	029-20932-000
	3	14	029-14727-000

CURRENT TRANSFORMER KIT AND TRANSFORMER ONLY

USE WITH FACTORY-MOUNTED MOTORS ONLY
 USE WITH FIELD INSTALLED ELECTRO-MECHANICAL STARTERS ONLY

TABLE 35 - CURRENT TRANSFORMER KIT

MOTOR VOLTAGE	FLA	"CT" RATIO	PART NUMBER	
			TRANSFORMER KIT (Includes Transformer)	TRANSFORMER ONLY
200/600	65-111	200:1	375-17422-701	025-21173-001
	112-224	350:1	375-17422-702	025-21173-002
	225-829	700:1	375-17422-703	025-21173-003
	830-1790	1400:1	375-17422-704	025-21173-004
2300/4160	11-18	200:1	375-17422-705	025-21173-001
	19-37	200:1	375-17422-705	025-21173-001
	38-123	200:1	375-17422-705	025-21173-001
	124-264	350:1	375-17422-706	025-21173-002
	265-518	700:1	375-17422-707	025-21173-005

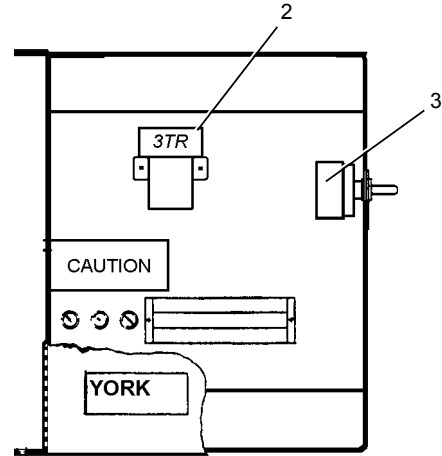
MULTIPLE UNIT SEQUENCE KIT CONTROLS

TWO UNITS

TABLE 36 - MULTIPLE SEQUENCE KIT (2 UNITS)

ITEM	DESCRIPTION	QUANTITY	PART NUMBER
1 ¹	Controller, RWT	1	025-15154-000
2	Relay, Time Delay	1	024-13711-000
3	Switch, Toggle	1	024-14057-000

¹ Not Shown. Remote Mounted.

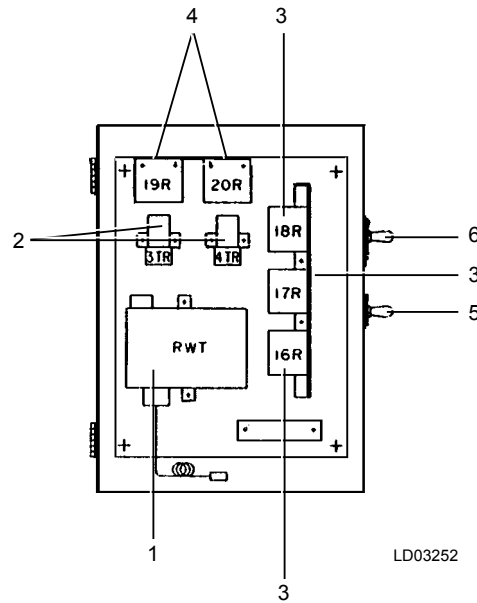


LD03251

THREE UNITS

TABLE 37 - MULTIPLE SEQUENCE KIT (3 UNITS)

ITEM	DESCRIPTION	QUANTITY	PART NUMBER
1	Controller, RWT	1	025-10215-000
2	Relay, Time Delay	2	024-13711-000
3	Relay, Control	3	024-27246-000
4	Relay, Control	2	024-14519-000
5	Switch, Toggle	1	024-11736-000
6	Switch, Toggle	1	024-17026-000

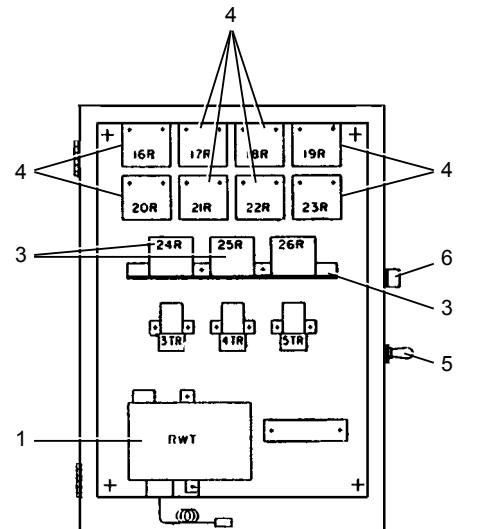


LD03252

FOUR UNITS

TABLE 38 - MULTIPLE SEQUENCE KIT (4 UNITS)

ITEM	DESCRIPTION	QUANTITY	PART NUMBER
1	Controller, RWT	1	025-10214-000
2	Relay, Time Delay	3	024-13711-000
3	Relay, Control	3	024-27246-000
4	Relay, Control	8	024-14519-000
5	Switch, Toggle	1	024-11736-000
6	Switch, Rotary	1	024-20494-000



LD03253

MISCELLANEOUS

TABLE 39 - MISCELLANEOUS AND ACCESSORIES

DESCRIPTION	PART NUMBER
Control, Differential Pressure (300lb. max.working pressure)	025-30919-000
Flow Switch Control (150 DWP)	024-26116-000
Flow Switch Control (300 DWP)	024-12144-000
Temperature Recorder, 60Hz, 1 Pen	025-09658-000
Temperature Recorder, 60Hz, 2 Pen	025-09823-000
Temperature Recorder, 50Hz, 1 Pen	025-12650-000
Temperature Recorder, 50Hz, 2 Pen	025-12330-000

TABLE 40 - ELECTRICAL CONNECTORS

DESCRIPTION	PART NUMBER
Flow Sensor, (Style F)	025-38186-000
Variable Orifice Actuator- DIN Connector	025-37878-000
Hot Gas Bypass Valve Actuator- DIN Connector	025-37877-000
Oil Return Solenoid- DIN Connector	025-37876-000
Thrust Bearing Proximity Probe- DIN Connector (Style F)	025-34047-000
Compressor Stall Sensor- DIN Connector	025-37805-000
Liquid Refrigerant Level Sensor- DIN Connector	025-37805-000
PRV Actuator Connector	025-38172-000
VGD Actuator Connector	025-38172-000

TABLE 41 - COMMON PIPING COMPONENTS

Description	Steel Tubing	Stainless Steel Tubing	Nut	Steel Sleeve	Stainless Steel Sleeve
3/8"	003-00969-000	003-02407-000	023-18977-000	023-20760-000	023-17534-000
1/2"	003-00243-000	-	023-17541-000	023-19089-000	023-17542-000
3/4"	003-03518-000	003-02487-017	023-18286-000	023-18914-000	023-17536-000
1"	003-03515-000	-	023-18287-000	023-18911-000	023-17538-000

TABLE 42 - CONSUMABLES

DESCRIPTION	PART NUMBER
Compound, Heat Conductive, 4 oz Can	013-00898-000
Enamel, Caribbean Blue	013-01835-000
Enamel, Black	Purchase Locally
YORK "K" Oil, 5 Gallon	011-00533-000



P.O. Box 1592, York, Pennsylvania USA 17405-1592
Copyright © by Johnson Controls 2013
Form 160.73-RP1 (1013)
Supersedes: 160.73-RP1 (409)
Issue Date: October 18, 2013

800-861-1001
www.johnsoncontrols.com

Subject to change without notice. Printed in USA
ALL RIGHTS RESERVED