



AIR-COOLED SCREW LIQUID CHILLERS

RENEWAL PARTS

Supercedes: 201.23-RP2 (310)

Form: 201.23-RP2 (315)

**MODELS YCIV0157, 0177, 0187, 0197, 0207, 0227,
0247 AND YCIV0267**

**STYLE A
60 HERTZ**



YCIV Photo Pic

150 - 260 TON
R-134a



200-3-60
230-3-60
315-3-60
460-3-60
575-3-60

MODELS ONLY



Issue Date:
March 31, 2015



IMPORTANT!

READ BEFORE PROCEEDING!

GENERAL SAFETY GUIDELINES

This equipment is a relatively complicated apparatus. During rigging, installation, operation, maintenance, or service, individuals may be exposed to certain components or conditions including, but not limited to: heavy objects, refrigerants, materials under pressure, rotating components, and both high and low voltage. Each of these items has the potential, if misused or handled improperly, to cause bodily injury or death. It is the obligation and responsibility of rigging, installation, and operating/service personnel to identify and recognize these inherent hazards, protect themselves, and proceed safely in completing their tasks. Failure to comply with any of these requirements could result in serious damage to the equipment and the property in

which it is situated, as well as severe personal injury or death to themselves and people at the site.

This document is intended for use by owner-authorized rigging, installation, and operating/service personnel. It is expected that these individuals possess independent training that will enable them to perform their assigned tasks properly and safely. It is essential that, prior to performing any task on this equipment, this individual shall have read and understood the on-product labels, this document and any referenced materials. This individual shall also be familiar with and comply with all applicable industry and governmental standards and regulations pertaining to the task in question.

SAFETY SYMBOLS

The following symbols are used in this document to alert the reader to specific situations:



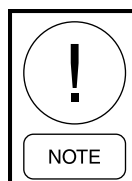
Indicates a possible hazardous situation which will result in death or serious injury if proper care is not taken.



Identifies a hazard which could lead to damage to the machine, damage to other equipment and/or environmental pollution if proper care is not taken or instructions and are not followed.



Indicates a potentially hazardous situation which will result in possible injuries or damage to equipment if proper care is not taken.



Highlights additional information useful to the technician in completing the work being performed properly.



External wiring, unless specified as an optional connection in the manufacturer's product line, is not to be connected inside the control cabinet. Devices such as relays, switches, transducers and controls and any external wiring must not be installed inside the micro panel. All wiring must be in accordance with Johnson Controls' published specifications and must be performed only by a qualified electrician. Johnson Controls will NOT be responsible for damage/problems resulting from improper connections to the controls or application of improper control signals. Failure to follow this warning will void the manufacturer's warranty and cause serious damage to property or personal injury.

CHANGEABILITY OF THIS DOCUMENT

In complying with Johnson Controls' policy for continuous product improvement, the information contained in this document is subject to change without notice. Johnson Controls makes no commitment to update or provide current information automatically to the manual or product owner. Updated manuals, if applicable, can be obtained by contacting the nearest Johnson Controls Service office or accessing the Johnson Controls QuickLIT website at <http://cgproducts.johnsoncontrols.com>.

It is the responsibility of rigging, lifting, and operating/service personnel to verify the applicability of these documents to the equipment. If there is any question

regarding the applicability of these documents, rigging, lifting, and operating/service personnel should verify whether the equipment has been modified and if current literature is available from the owner of the equipment prior to performing any work on the chiller.

CHANGE BARS

Revisions made to this document are indicated with a line along the left or right hand column in the area the revision was made. These revisions are to technical information and any other changes in spelling, grammar or formatting are not included.

TABLE OF CONTENTS

	<u>PAGE</u>
UNIT NOMENCLATURE NAMEPLATE ENGINEERING DATA	4
1	
EVAPORATOR COMPONENTS	5
2	
CONDENSER COIL COMPONENTS	9
3	
FAN COMPONENTS.....	12
4	
REFRIGERANT PIPING COMPONENTS.....	14
GLYCOL LOOP COMPONENTS	18
5	
COMPRESSOR	20
6	
CONTROL AND VARIABLE SPEED DRIVE PANEL CONFIGURATION.....	22
VARIABLE SPEED DRIVE PANEL COMPONENTS.....	24
VARIABLE SPEED DRIVE POWER ASSEMBLY COMPONENTS	42
VARIABLE SPEED DRIVE FAN ASSEMBLY COMPONENTS	44
PLUG AND JUMPER ARRANGEMENT.....	45
TWO SPEED FAN CONTACTOR PANEL COMPONENTS	46
7	
SENSOR HARNESSSES.....	48
TEMPERATURE SENSORS AND TRANSDUCERS	55
TRANSDUCER AND THERMISTOR WIRE HARNESS CONNECTORS.....	57
8	
VIBRATOR ISOLATORS	58
YCIV CHILLER OPTIONS	59
ENCLOSURE KIT OPTIONS	60
FRAME RAIL COMPONENTS	67
RECOMMENDED SPARE PARTS.....	70

UNIT NOMENCLATURE NAMEPLATE ENGINEERING DATA

BASIC PART NUMBER

YCIV0207EA40VAA

1	2	3	4	5	6	7	8	9	10	11	12	13	14	15
BASE PRODUCT TYPE				NOMINAL CAPACITY				UNIT DESIGNATOR	REFRIGERANT	VOLTAGE/STARTER			DESIGN/DEVELOPMENT LEVEL	
Y	C	I	V	#	#	#	#	S	A	1	7		A	
: YORK : Chiller : Air Cooled V : Screw				Tons 0157 0177 0187 0197 0207 0227 0247 0267				Standard Standard Optimized High Efficiency High Efficiency Optimized	:R-134a	:200/3/60 :230/3/60 :380/3/60 :460/3/60 :380-415/3/50 :575/3/60 V : Variable Speed Drive			:Design Series A : :Engineering Change or PIN Level	

PART NUMBER – LETTER CODES

16 17 18 19	20 21 22 23 24 25 26 27 28	29 30 31 32 33 34 35 36 37
POWER FIELD	CONTROLS FIELD	COMPRESSOR / PIPING FIELD
S X B X S S C S : : : : : : : : : T O	X T C B M S F G I P H L N L N C Q O	# # T S C S B P D H
: SP TB : SP CB : SP TB w/ Ind. Sys. NF Disc. Sw. : SP CB w/ Ind. Sys. NF Disc. Sw. : : : : : : : : Control Transformer Convenience Outlet	: No Ambient Kit : Temp. Reset / Offset : Current Reset / Offset : Temp. and Current Reset / Offset : ISN Microgateway : Spanish LCD & Keypad Display : French LCD & Keypad Display : German LCD & Keypad Display : Italian LCD & Keypad Display : Portuguese LCD & Keypad Display : Hungarian LCD & Keypad Display : Polish LCD & Keypad Display : Silent Night : N. American Safety Code (cU.L./cETL) : No Listing (typically 50 HZ non-CE, non-U.L.) : No Listing (typically 50 HZ CE, U.L.) : Pump Control : OptiView Remote Panel S : Sequence Control & Automatic Lead Transfer	: Low Temp. Brine (LBRt) : Thermal Storage : Chicago Relief Code : Service Isolation Valve : Both Chicago Relief Code & Isolation Valve : Pressure Relief Valve Kit : Both Pressure Relief & Isolation Valve Kit H : Service Isolation Valve

MP = Multiple Point
SP = Single Point
NF = Non-Fused
TB = Terminal Block
Ser. = Service
Ind. Sys. Brkr. & L. Ext. Handles = Individual System Breaker & Lockable External Handle

38 39 40 41 42 43 44	45 46 47	48 49 50 51 52 53 54
EVAP. FIELD	CONDENSER FIELD	CABINET FIELD
X 3 D W V S D A E R	X C B P E H D X	1 3 5 7 X R N L H T V
:150# PSI DWP :300# PSI DWP :Double Thick Insulation :Weld Flange :Victaulic Flange :Flow Switch :Diff. Press. Switch :ASME Pressure Vessel :PED Pressure Vessel :Remote Cooler	: Aluminum : Copper : Black Fin : Phenolic : Epoxy : Heat Recovery : Desuperheater X : TEAO Fan Motors	: Wire (Full Unit) Enc. Panels (factory) : Wire/Louvered Enc. Panels (factory) : Louvered (Cond. Only) Enc. Panels (factory) : Louvered (Full Unit) Enc. Panels (factory) : No Sound Package : Reduced Noise : Low Noise : Low Sound Fans : High Static Fans : Two Speed Fans : Variable Speed Drive Fans 1 : 1" Deflection S : Seismic N : Neoprene Pads

55	56	57
EXTENDED FIELD WARRANTY	REFRIGERANT WARRANTY	SHIPPING INSTRUCTIONS
X B C D E F G H	X 1 2 5	A C B
: 1st Year Parts Only : 1st Year Parts & Labor : 2nd Year Parts Only : 2nd Year Parts & Labor : 5 Year Compressor Parts Only : 5 Year Compressor Parts & Labor Only : 5 Year Units Parts Only : 5 Year Unit Parts & Labor	: No Refrigerant Warranty : 1 Year Refrigerant : 2 Year Refrigerant : 5 Year Refrigerant	: Buy American Act Compliance : Container Shipping Kit : Buy American Act Compliance & Container Shipping Kit

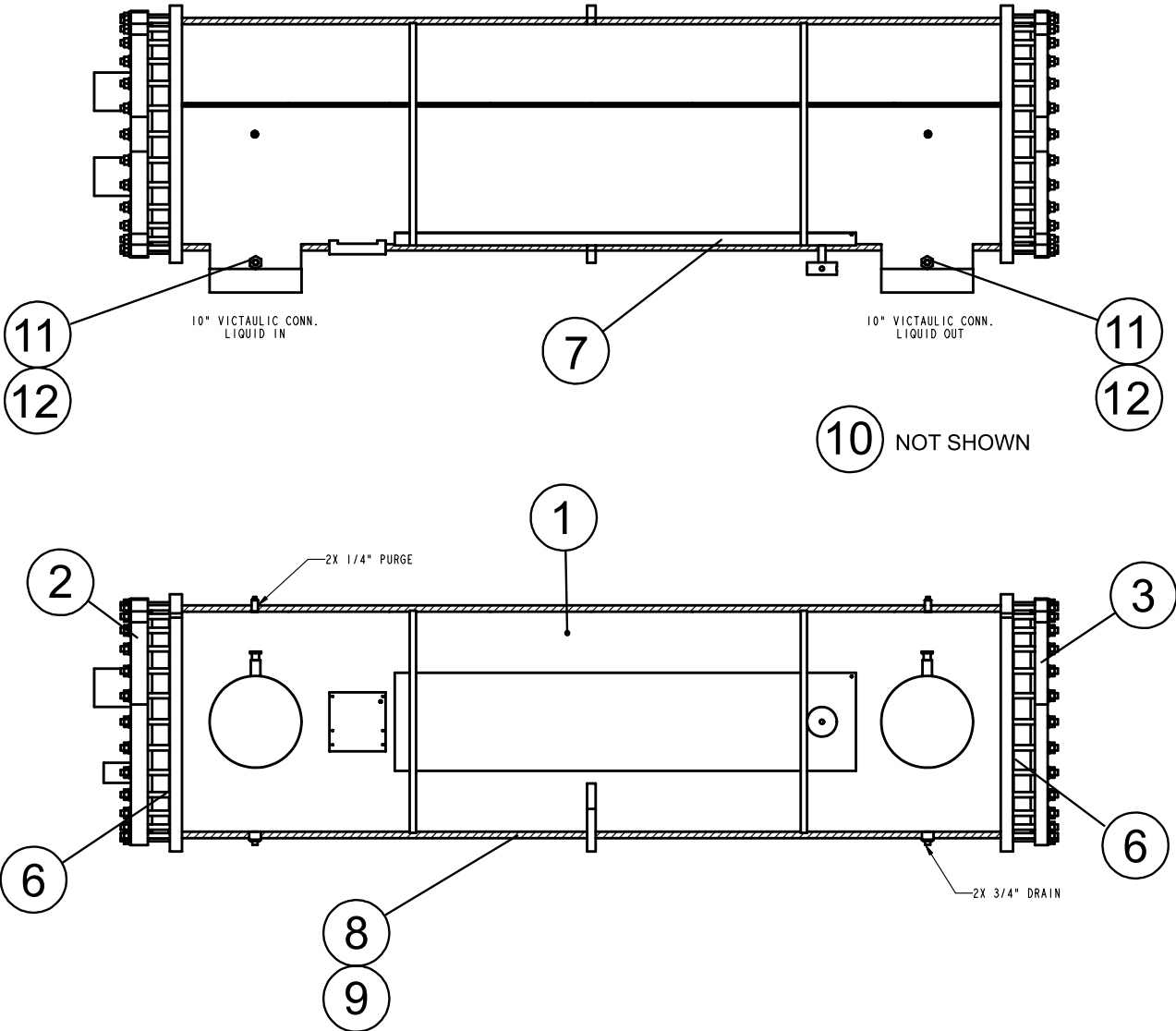
61
PLANT OF MANUFACTURE
 R : Monterrey

NOTES:
 1. Q :DENOTES SPECIAL / S.Q.
 2. # :DENOTES STANDARD
 3. X :w/in OPTIONS FIELD, DENOTES NO OPTION SELECTED
 4. Agency Files (i.e. U.L. / ETL; CE; ARI; ETC.) will contain info. based on the first 14 characters only.
 5. Plant of manufacture to include PIN 61 upon entering the chiller order.

SECTION 1 - RIGHT HANDED EVAPORATOR COMPONENTS

Service Note:

Pin location 38 in Model Number will be "X" for 150# DWP Cooler.
Pin location 38 in Model Number will be "3" for 300# DWP Cooler.



Service Note:

Standard 150# DWP Cooler Flow Switch - 024-26116-000
Optional 300# DWP Cooler Flow Switch - 024-12144-000
Differential Pressure Switch - 025-30919-000

67005-991

FIG. 1 – RIGHT HANDED EVAPORATOR COMPONENTS (REF. TABLE 1, PAGE 7)

TABLE 1 – RH EVAPORATOR COMPONENTS - PIN #9 = 'S OR P' (SEE FIG. 1, PAGE 6)

ITEM #	QTY PER UNIT	DESCRIPTION	DWP	UNIT MODEL YCIV0157	UNIT MODELS YCIV0177 AND YCIV0187	UNIT MODELS YCIV0207, 0227, 0247 AND YCIV0267
1	1	Evaporator, Fully Insulated with Heater	ALL	375-67011-001	375-67007-001	375-67005-001
		Evaporator, less Heater & Insulation		375-67011-000	375-67007-000	375-67005-000
2	1	Head, Connection End	ALL	075-54517-000	075-54488-000	075-53210-000
3	1	Head, Back End	ALL	075-54515-000	075-54486-000	075-53206-000
4	1	Baffle, Connection End	ALL	075-54519-000	075-76208-000	075-65302-000
5	1	Baffle, Back End	ALL	075-54514-000	075-76208-000	075-65302-000
6	2	Gasket, Baffle and Head	ALL	075-54520-000	075-54491-000	075-54103-000
7	2	Heater, Cooler 280 Watt	ALL	025-22691-000	025-22691-000	025-22691-000
8	-	Insulation (3/4"x49"x65")	ALL	010-05997-000	010-05997-000	010-05997-000
9	-	Insulation (1 1/2"x49"x65")		010-05998-000	010-05998-000	010-05998-000
10	1 qt.	Adhesive (Use with #6)	ALL	013-03311-000		
11	2	Sensor, Water Temperature	ALL	025-40334-000	025-40334-000	025-40334-000
12	2	Well, Thermo	ALL	026-33627-000	026-33627-000	026-33627-000

TABLE 1 (CONTINUED) – RH EVAPORATOR COMPONENTS - PIN #9 = 'E OR V' (SEE FIG. 1, PAGE 6)

ITEM #	QTY PER UNIT	DESCRIPTION	DWP	UNIT MODELS YCIV0157, 0177 AND YCIV0187	UNIT MODELS YCIV0197, 0207 AND YCIV0227	UNIT MODEL YCIV0247
1	1	Evaporator, Fully Insulated with Heater	ALL	375-67007-001	375-67009-001	375-67005-001
		Evaporator, less Heater & Insulation		375-67007-000	375-67009-000	375-67005-000
2	1	Head, Connection End	ALL	075-54488-000	075-53794-000	075-53210-000
3	1	Head, Back End	ALL	075-54486-000	075-53796-000	075-53206-000
4	1	Baffle, Connection End	ALL	075-76208-000	075-76215-000	075-65302-000
5	1	Baffle, Back End	ALL	075-76208-000	075-76215-000	075-65302-000
6	2	Gasket, Baffle and Head	ALL	075-54491-000	075-53797-000	075-54103-000
7	2	Heater, Cooler 280 Watt	ALL	025-22691-000	025-22691-000	025-22691-000
8	-	Insulation (3/4"x49"x65")	ALL	010-05997-000	010-05997-000	010-05997-000
9	-	Insulation (1 1/2"x49"x65")		010-05998-000	010-05998-000	010-05998-000
10	1 qt.	Adhesive (Use with #6)	ALL	013-03311-000		
11	2	Sensor, Water Temperature	ALL	025-40334-000	025-40334-000	025-40334-000
12	2	Well, Thermo	ALL	026-33627-000	026-33627-000	026-33627-000

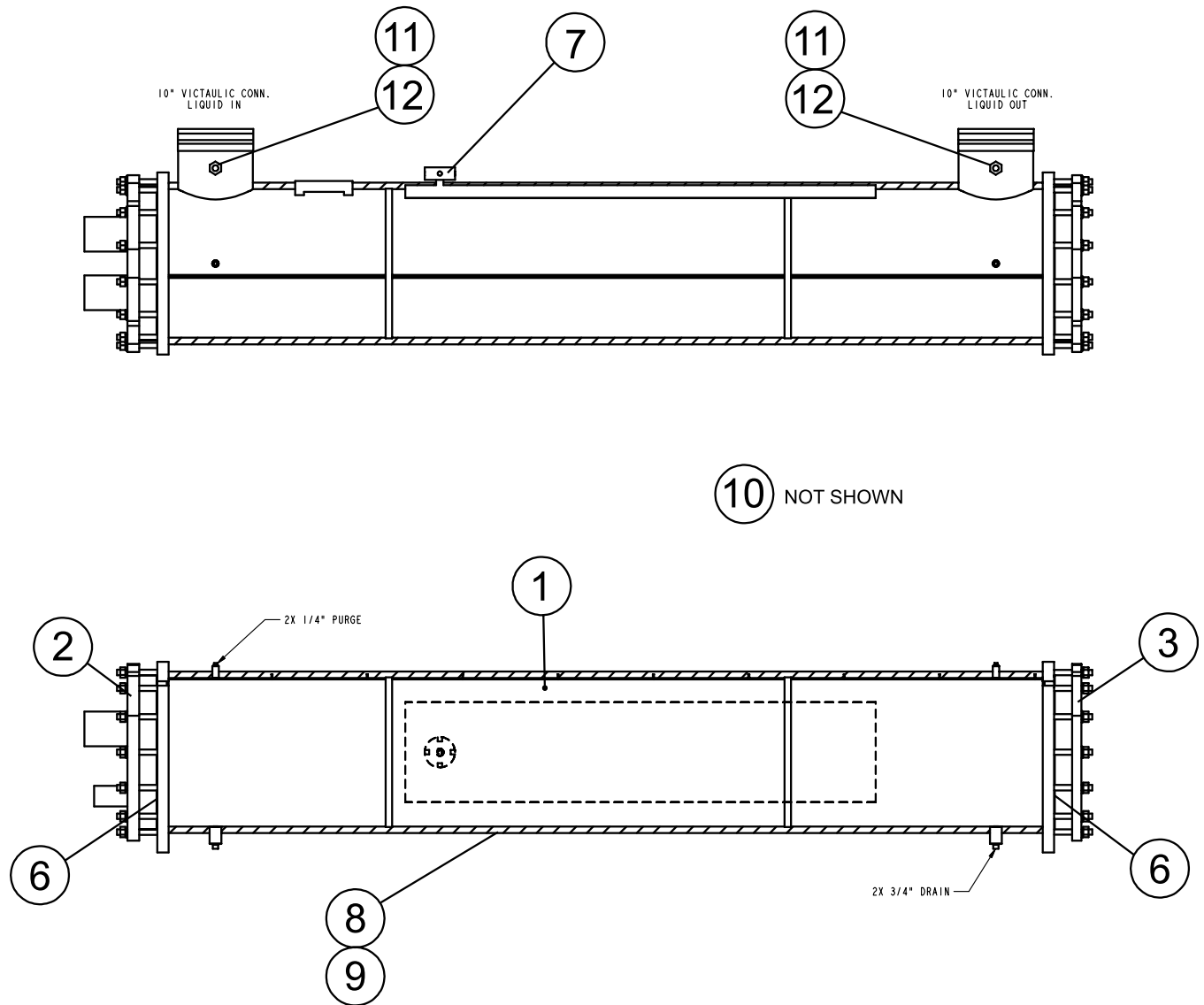
SECTION 1 - LEFT HANDED EVAPORATOR COMPONENTS



Service Note:

Pin location 38 in Model Number will be "X" for 150# DWP Cooler.

Pin location 38 in Model Number will be "3" for 300# DWP Cooler.



Service Note:

Standard 150# DWP Cooler Flow Switch - 024-26116-000

Optional 300# DWP Cooler Flow Switch - 024-12144-000

Differential Pressure Switch - 025-30919-000

67012-991

FIG. 1A – LEFT HANDED EVAPORATOR COMPONENTS (REF. TABLE 1A, PAGE 9)

TABLE 1A – LH EVAPORATOR COMPONENTS - PIN #9 = 'S OR P' (SEE FIG. 1A, PAGE 8)

ITEM #	QTY PER UNIT	DESCRIPTION	DWP	UNIT MODEL YCIV0157	UNIT MODELS YCIV0177 AND YCIV0187	UNIT MODELS YCIV0207, 0227, 0247 AND YCIV0267
1	1	Evaporator, Fully Insulated with Heater	ALL	375-67012-001	375-67008-001	375-67006-001
		Evaporator, less Heater & Insulation		375-67012-000	375-67008-000	375-67006-000
2	1	Head, Connection End	ALL	075-54517-000	075-54488-000	075-53210-000
3	1	Head, Back End	ALL	075-54515-000	075-54486-000	075-53206-000
4	1	Baffle, Connection End	ALL	075-54519-000	075-76208-000	075-65302-000
5	1	Baffle, Back End	ALL	075-54514-000	075-76208-000	075-65302-000
6	2	Gasket, Baffle and Head	ALL	075-54520-000	075-54491-000	075-54103-000
7	2	Heater, Cooler 280 Watt	ALL	025-22691-000	025-22691-000	025-22691-000
8	-	Insulation (3/4"x49"x65")	ALL	010-05997-000	010-05997-000	010-05997-000
9	-	Insulation (1 1/2"x49"x65")		010-05998-000	010-05998-000	010-05998-000
10	1 qt.	Adhesive (Use with #6)	ALL	013-03311-000		
11	2	Sensor, Water Temperature	ALL	025-40334-000	025-40334-000	025-40334-000
12	2	Well, Thermo	ALL	026-33627-000	026-33627-000	026-33627-000

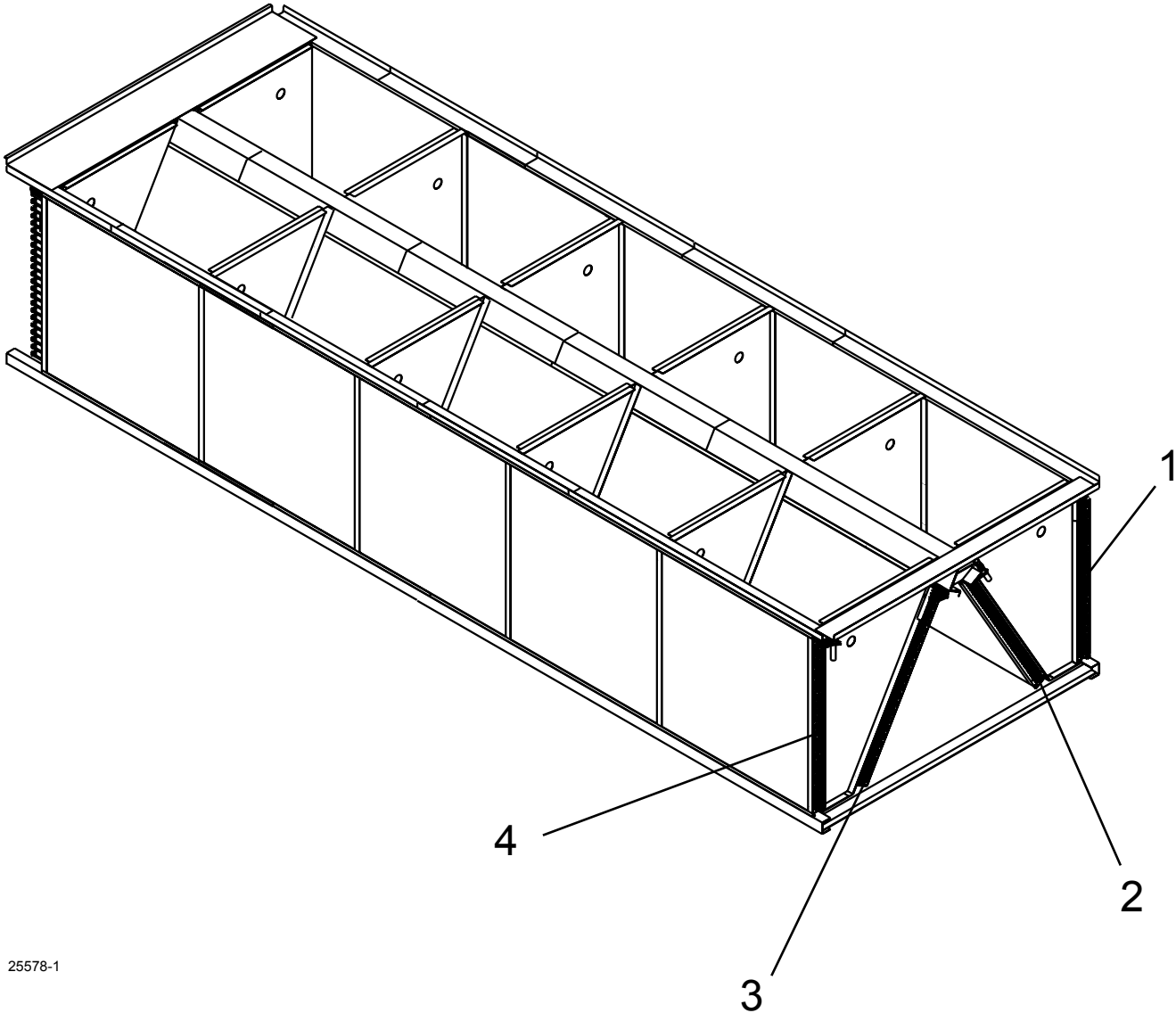
TABLE 1 (CONTINUED) – LH EVAPORATOR COMPONENTS - PIN #9 = 'E OR V' (SEE FIG. 1A, PAGE 8)

ITEM #	QTY PER UNIT	DESCRIPTION	DWP	UNIT MODELS YCIV0157, 0177 AND YCIV0187	UNIT MODELS YCIV0197, 0207 AND YCIV0227	UNIT MODEL YCIV0247
1	1	Evaporator, Fully Insulated with Heater	ALL	375-67008-001	375-67010-001	375-67006-001
		Evaporator, less Heater & Insulation		375-67008-000	375-67010-000	375-67006-000
2	1	Head, Connection End	ALL	075-54488-000	075-53794-000	075-53210-000
3	1	Head, Back End	ALL	075-54486-000	075-53796-000	075-53206-000
4	1	Baffle, Connection End	ALL	075-76208-000	075-76215-000	075-65302-000
5	1	Baffle, Back End	ALL	075-76208-000	075-76215-000	075-65302-000
6	2	Gasket, Baffle and Head	ALL	075-54491-000	075-53797-000	075-54103-000
7	2	Heater, Cooler 280 Watt	ALL	025-22691-000	025-22691-000	025-22691-000
8	-	Insulation (3/4"x49"x65")	ALL	010-05997-000	010-05997-000	010-05997-000
9	-	Insulation (1 1/2"x49"x65")		010-05998-000	010-05998-000	010-05998-000
10	1 qt.	Adhesive (Use with #6)	ALL	013-03311-000		
11	2	Sensor, Water Temperature	ALL	025-40334-000	025-40334-000	025-40334-000
12	2	Well, Thermo	ALL	026-33627-000	026-33627-000	026-33627-000

SECTION 2 - CONDENSER COIL COMPONENTS

2

POWER
PANEL
END OF
CHILLER



25578-1

FIG. 2 – CONDENSER COIL COMPONENTS
(REF. TABLE 2, PAGES 11 AND 12)

TABLE 2 – CONDENSER COIL COMPONENTS (SEE FIG. 2, PAGE 10)

ITEM NUMBER	DESCRIPTION	SYSTEM	QTY	MODELS YCIV0157 SorP, 0157 EorV AND YCIV0177 SorP	MODELS YCIV0177 EorV, 0187 SorP AND YCIV0207 SorP	MODELS YCIV0187 EorV, 0197 EorV AND YCIV0227 SorP
ALUMINUM COILS - 'PIN 45 = X'						
1	Coil Assembly*	Sys 1	1	375-55356-001	375-55350-001	375-55350-001
2			1	375-55356-002	375-55350-002	375-55350-002
3		Sys 2	1	375-55356-003	375-55356-003	375-55350-003
4			1	375-55356-004	375-55356-004	375-55350-004
COPPER COILS - 'PIN 45 = C'						
1	Coil Assembly*	Sys 1	1	375-55356-005	375-55350-005	375-55350-005
2			1	375-55356-006	375-55350-006	375-55350-006
3		Sys 2	1	375-55356-007	375-55356-007	375-55350-007
4			1	375-55356-008	375-55356-008	375-55350-008
BLACK FIN COILS - 'PIN 45 = B'						
1	Coil Assembly*	Sys 1	1	375-55356-009	375-55350-009	375-55350-009
2			1	375-55356-010	375-55350-010	375-55350-010
3		Sys 2	1	375-55356-011	375-55356-011	375-55350-011
4			1	375-55356-012	375-55356-012	375-55350-012
PHENOLIC COILS - 'PIN 45 = P'						
1	Coil Assembly*	Sys 1	1	375-58328-001	375-58328-005	375-58328-005
2			1	375-58328-002	375-58328-006	375-58328-006
3		Sys 2	1	375-58328-003	375-58328-003	375-58328-007
4			1	375-58328-004	375-58328-004	375-58328-008
EPOXY COILS - 'PIN 45 = E'						
1	Coil Assembly*	Sys 1	1	375-67025-009	375-67024-009	375-67024-009
2			1	375-67025-010	375-67024-010	375-67024-010
3		Sys 2	1	375-67025-011	375-67025-011	375-67024-011
4			1	375-67025-012	375-67025-012	375-67024-012

***Note:** Coil Assembly includes coil and headers.

TABLE 2 (CONTINUED) – CONDENSER COIL COMPONENTS (SEE FIG. 2, PAGE 10)

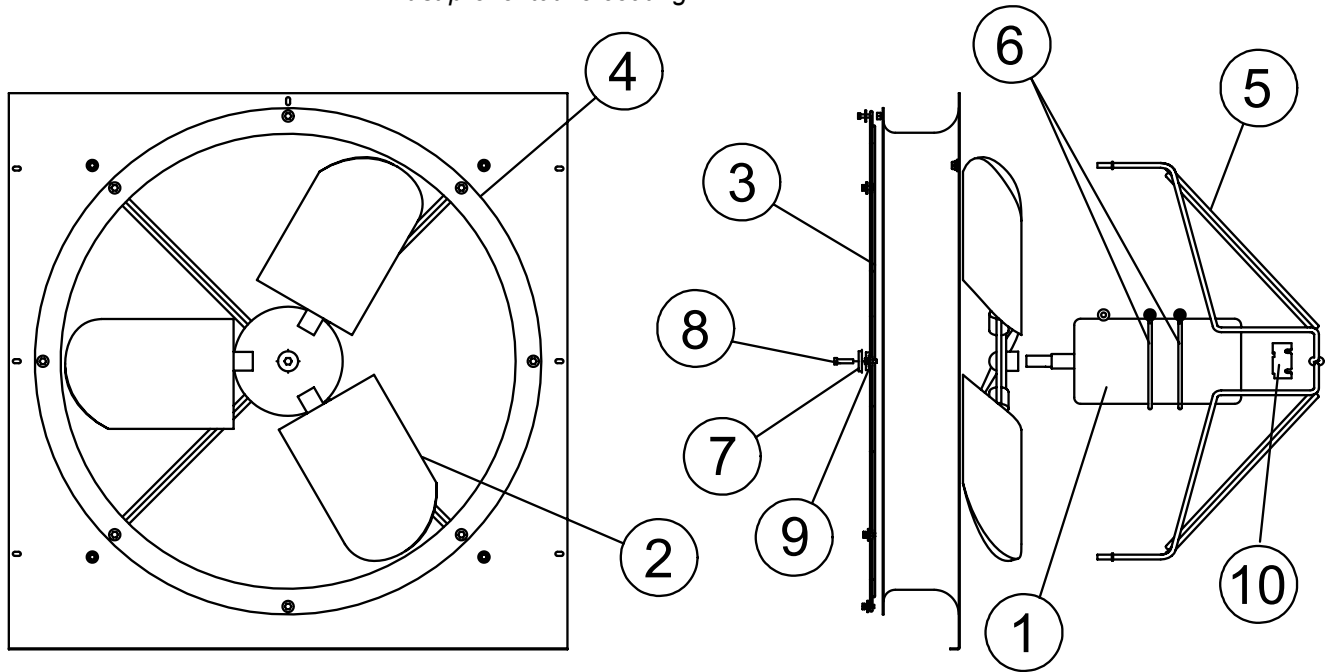
ITEM NUMBER	DESCRIPTION	SYSTEM	QTY	MODELS YCIV0207 EorV AND YCIV0247 SorP	MODELS YCIV0227 EorV, 0247 EorV AND YCIV0267 SorP
ALUMINUM FIN COILS - 'PIN 45 = X'					
1	Coil Assembly*	Sys 1	1	375-54395-001	375-54395-001
2			1	375-54395-002	375-54395-002
3		Sys 2	1	375-55350-003	375-54395-003
4			1	375-55350-004	375-54395-004
COPPER COILS - 'PIN 45 = C'					
1	Coil Assembly*	Sys 1	1	375-54395-005	375-54395-005
2			1	375-54395-006	375-54395-006
3		Sys 2	1	375-55350-007	375-54395-007
4			1	375-55350-008	375-54395-008
BLACK FIN COILS - 'PIN 45 = B'					
1	Coil Assembly*	Sys 1	1	375-54395-009	375-54395-009
2			1	375-54395-010	375-54395-010
3		Sys 2	1	375-55350-011	375-54395-011
4			1	375-55350-012	375-54395-012
PHENOLIC COILS - 'PIN 45 = P'					
1	Coil Assembly*	Sys 1	1	375-58328-009	375-58328-009
2			1	375-58328-010	375-58328-010
3		Sys 2	1	375-58328-007	375-58328-011
4			1	375-58328-008	375-58328-012
EPOXY COILS - 'PIN 45 = E'					
1	Coil Assembly*	Sys 1	1	375-67016-009	375-67016-009
2			1	375-67016-010	375-67016-010
3		Sys 2	1	375-67024-011	375-67016-011
4			1	375-67024-012	375-67016-012

***Note:** Coil Assembly includes coil and headers.

SECTION 3 - FAN COMPONENTS

Service Note:

Fan Hub to Shaft Joint should be sealed with protective coating - use RUST VETO 344 - a solvent type, rust preventative coating.



55596-000

Service Note: Pin Location 52 in Model Number will be "X" for Standard Low Sound Fan or "L" for Ultra Low Sound Fan. See page 4.

FIG. 3 – FAN COMPONENTS

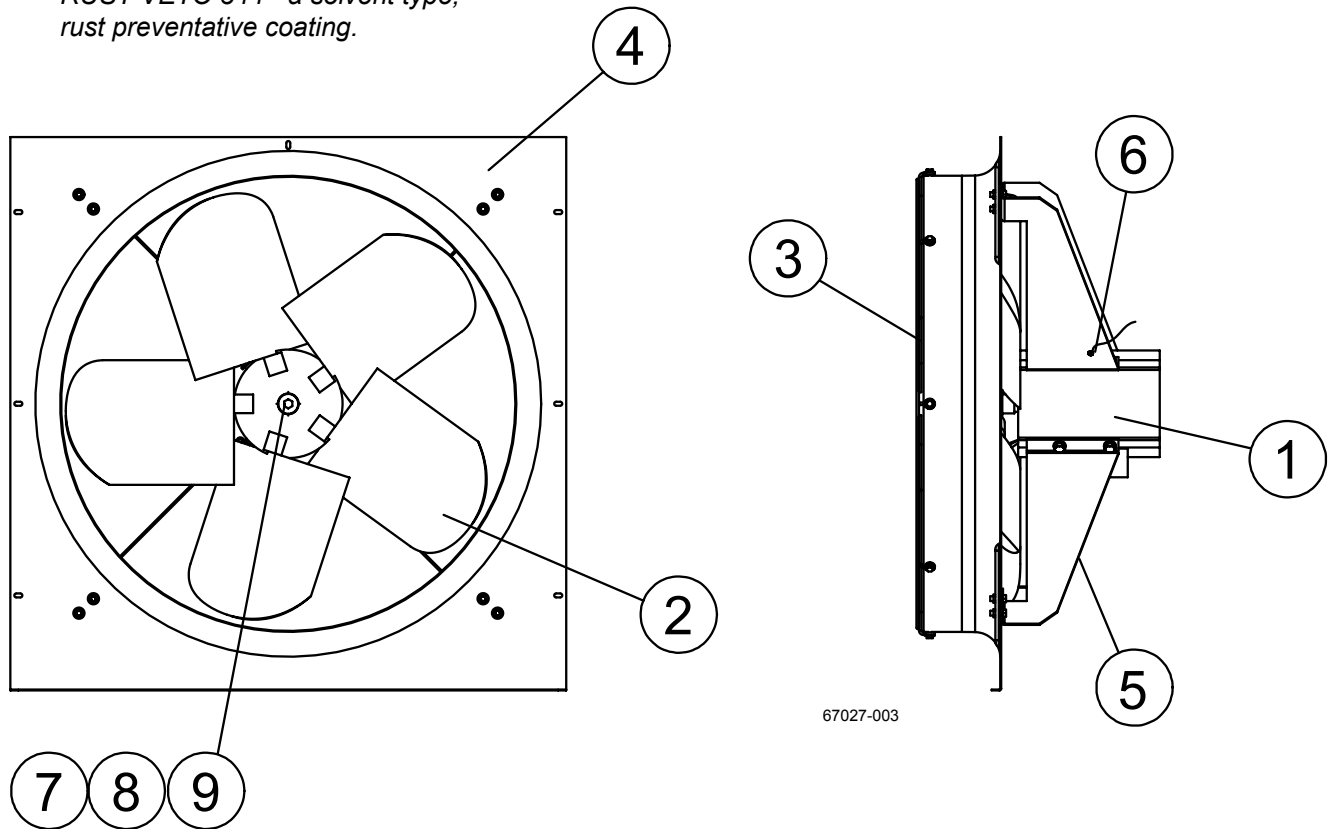
TABLE 3 – FAN COMPONENTS

ITEM NUMBER	DESCRIPTION	VOLTAGE CODE	FAN TYPE	
			STANDARD LOW SOUND 7/8", 950 RPM	ULTRA LOW SOUND 7/8", 690/850 RPM
1 ^s	Motor, 2 HP Fan (YCIV0157-YCIV0267)	-40	024-27322-104	024-34980-005
		-46	024-27322-207	024-34980-001
2 ^s	Blade	-40 & -46	026-41594-000	026-41942-000
3	Guard	Both	026-46008-000	
4	Orifice	Both	026-45789-000	
5	Support	Both	026-41938-000	026-45533-000
6	Support Ring	Both	026-36367-000	
7	Spacer (.375 I.D.)	Both	075-29007-000	
8	Screw, Cap (M8x125)	Both	021-18494-000	
9	Spacer (1.406 I.D.)	Both	075-40484-000	
10	Hub, Square	Both	026-41939-005 (1.125")	

^s = Recommended Spare Parts

Service Note:

Fan Hub to Shaft Joint should be sealed with protective coating - use RUST VETO 344 - a solvent type, rust preventative coating.



67027-003

Service Note: Pin Location 52 in Model Number will be "H" for High Static Fan or "G" for High Air Flow Fan. See page 4.

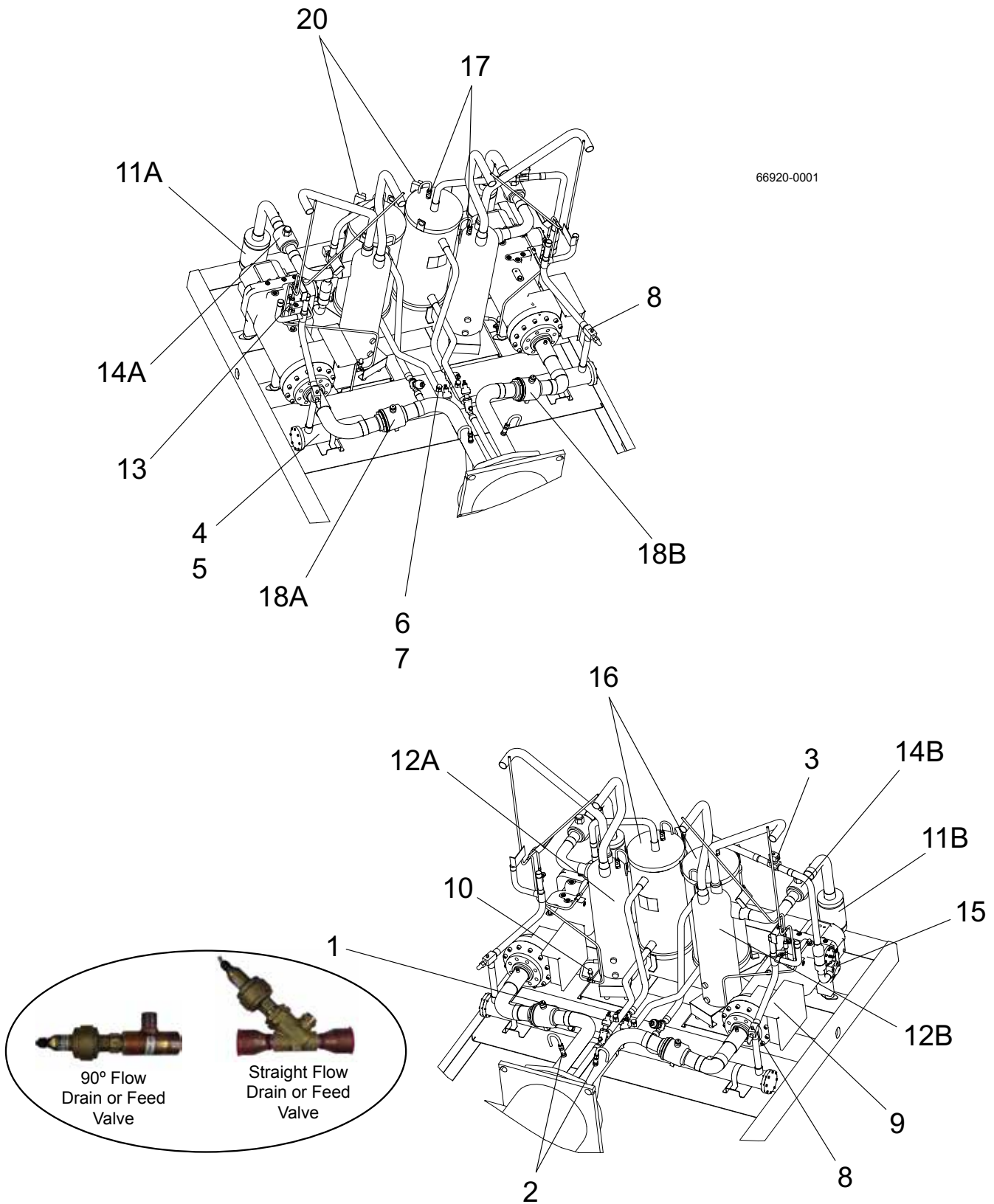
FIG. 3A – FAN COMPONENTS

TABLE 3A – FAN COMPONENTS

ITEM NUMBER	DESCRIPTION	VOLTAGE CODE	FAN TYPE	
			HIGH STATIC 1 1/8", 1150 RPM	HIGH AIR FLOW 1 1/8", 1150 RPM
1 ^s	Motor, 5 HP Fan TEAO (YCIV0157-YCIV0267)	-40	024-36081-003	024-36874-002
		-46		024-36081-003
2 ^s	Blade	-40	026-45538-000	
		-46	026-45679-000	
3	Guard	Both	026-46008-001	
4	Orifice	Both	026-45789-000	
5	Support Bracket	Both	075-67014-000	
6	Screw, Ground	Both	021-16201-000	
7	Spacer (.375 I.D.)	Both	075-40485-000	
8	Screw, Cap (M8x125)	Both	021-17791-000	
9	Spacer (1.406 I.D.)	Both	075-67017-000	

^s = Recommended Spare Parts

SECTION 4 - REFRIGERANT PIPING COMPONENTS CHILLER MODEL YCIV



**FIG. 4 – PIPING COMPONENTS - MODEL YCIV0157 & YCIV0177 SHOWN
(REF. TABLE 4, PAGES 15 AND 16)**

TABLE 4 – REFRIGERANT PIPING COMPONENTS (SEE FIG. 4, PAGE 14)

ITEM NO.	QTY PER UNIT	DESCRIPTION	YCIV0157AND YCIV0177 E or V	YCIV0157 S or P	YCIV0177 S or P AND YCIV0187 S,P,E or V
1^S	4	Valve, Drain or Feed - 90° Flow*	025-41564-000	025-41564-000	025-41564-000
	4	Valve, Drain or Feed - Straight Flow**	025-41565-000	025-41565-000	025-41565-000
2	2	Valve, Low Side Relief - 235#	022-11312-000	022-11312-000	022-11312-000
3	2	Valve, Economizer Solenoid	025-40330-000	025-40330-000	025-40330-000
4	2	Dehydrator, Body (Replacable Core)	026-16960-000	026-16960-000	026-16960-000
5^S	6	Core, Dehydrator	026-37540-000	026-37540-000	026-37540-000
6	4	Moisture Indicator, Body	026-32399-000	026-32399-000	026-32399-000
7	4	Moisture Indicator, Sight Glass Cap	026-32800-000	026-32800-000	026-32800-000
8	2	Valve, Liquid Stop	022-09779-000	022-09779-000	022-09779-000
9	2	Compressor, MTS	See page 21		
10	4	Valve, Charging	022-09754-000	022-09754-000	022-09754-000
11A	2	Muffler (System 1)	375-55738-000	375-55738-000	375-55738-000
11B	2	Muffler (System 2)	375-55738-000	375-55738-000	375-53202-000
12A	1	Oil Separator (Left)	026-42901-100		
12B	1	Oil Separator (Right)	026-42901-200		
12D	2	Sight Glass, Oil Separator (All)	026-43375-000		
12E	2	O-ring, Sight Glass	028-16331-000		
13	2	Valve, Ball (Oil Line)	022-09172-000	022-09172-000	022-09172-000
14A	1	Ball Valve, Discharge (System 1)	022-11326-000	022-11326-000	022-11326-000
14B	1	Ball Valve, Discharge (System 2)	022-11326-000	022-11326-000	022-11325-000
15	2	Valve, Angle	022-11358-000	022-11358-000	022-11358-000
	2	1 1/2" Gasket	028-15296-000	028-15296-000	028-15296-000
16	2	Flash Tank	375-65618-000	375-65618-000	375-65618-000
		Sight Glass, Flash Tank	026-17581-000	026-17581-000	026-17581-000
17	4	Valve, Relief	022-11398-000	022-11398-000	022-11398-000
18A	1	Ball Valve, Suction (System 1)	022-11693-000	022-11693-000	022-11693-000
18B	1	Ball Valve, Suction (System 2)	022-11693-000	022-11693-000	022-11693-000
20^S	2	Sensor, Refrig Level	025-40274-000	025-40274-000	025-40274-000

^S = Recommended Spare Parts



*90° Flow
Drain or Feed
Valve



**Straight Flow
Drain or Feed
Valve

TABLE 4 (CONTINUED) – REFRIGERANT PIPING COMPONENTS (SEE FIG. 4, PAGE 14)

ITEM NO.	QTY PER UNIT	DESCRIPTION	YCIV0197, 0207 AND YCIV0227 E or V	YCIV0207 AND YCIV0227 S or P	YCIV0247 S,P,E or V	YCIV0267 S or P
1^S	4	Valve, Drain or Feed - 90° Flow*	025-41564-000	025-41564-000	025-41564-000	025-41564-000
	4	Valve, Drain or Feed - Str. Flow**	025-41565-000	025-41565-000	025-41565-000	025-41565-000
2	2	Valve, Relief	022-11312-000	022-11312-000	022-11312-000	022-11312-000
3	2	Valve, Solenoid	025-40330-000	025-40330-000	025-40330-000	025-40330-000
4	2	Dehydrator, Body (Replacable Core)	026-16960-000	026-16960-000	026-16960-000	026-16960-000
5^S	6	Core, Dehydrator	026-37540-000	026-37540-000	026-37540-000	026-37540-000
6	4	Moisture Indicator, Body	026-32399-000	026-32399-000	026-32399-000	026-32399-000
7	4	Moisture Indicator, Sight Glass Cap	026-32800-000	026-32800-000	026-32800-000	026-32800-000
8	2	Valve, Liquid Stop	022-09779-000	022-09779-000	022-09779-000	022-09779-000
9	2	Compressor	See page 21			
10	4	Valve, Charging	022-09754-000	022-09754-000	022-09754-000	022-09754-000
11	2	Muffler	375-53202-000	375-53202-000	375-53202-000	375-53202-000
12A	2	Oil Separator (Left)	026-42901-100			
12B	2	Oil Separator (Right)	026-42901-200			
12D	2	Sight Glass, Oil Separator (All)	026-43375-000			
12E	2	O-ring, Sight Glass	028-16331-000			
13	2	Valve, Ball (Oil Line)	022-09172-000	022-09172-000	022-09172-000	022-09172-000
14A	1	Ball Valve, Discharge (System 1)	022-11325-000	022-11325-000	022-11325-000	022-11325-000
14B	1	Ball Valve, Discharge (System 2)	022-11325-000	022-11325-000	022-11325-000	022-11325-000
15	2	Valve, Angle	022-11358-000	022-11358-000	022-11358-000	022-11358-000
	2	1 1/2" Gasket	028-15296-000	028-15296-000	028-15296-000	028-15296-000
16	2	Flash Tank	375-65618-000	375-65618-000	375-65618-000	375-65618-000
		Sight Glass, Flash Tank	026-17581-000	026-17581-000	026-17581-000	026-17581-000
17	2	Valve, Relief	022-11398-000	022-11398-000	022-11398-000	022-11398-000
18A	1	Ball Valve, Suction (System 1)	022-11693-000	022-11693-000	022-11693-000	022-11694-000
18B	1	Ball Valve, Suction (System 2)	022-11693-000	022-11693-000	022-11694-000	022-11694-000
20^S	2	Sensor, Refrig Level	025-40274-000	025-40274-000	025-40274-000	025-40274-000

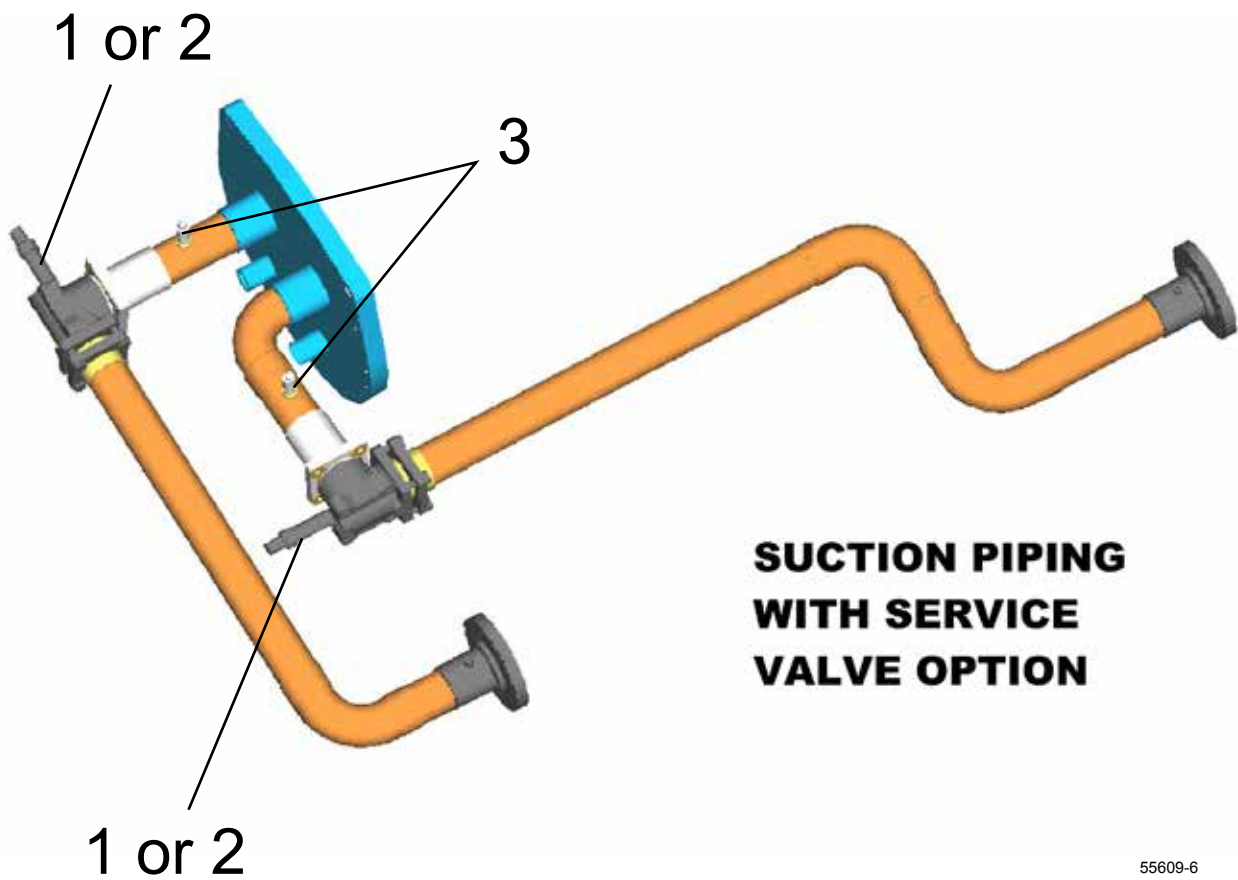
^S = Recommended Spare Parts



*90° Flow
Drain or Feed
Valve



**Straight Flow
Drain or Feed
Valve



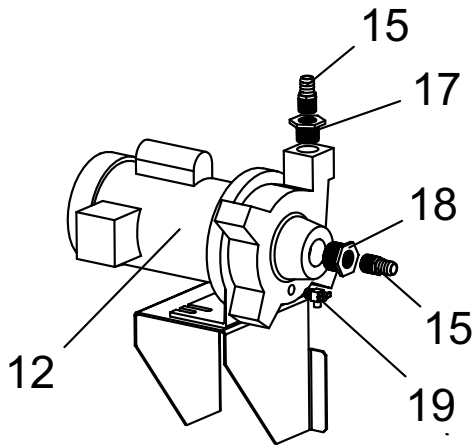
55609-6

FIG. 4A – SUCTION PIPING WITH SERVICE VALVE OPTION COMPONENTS (REF. TABLE 4A)

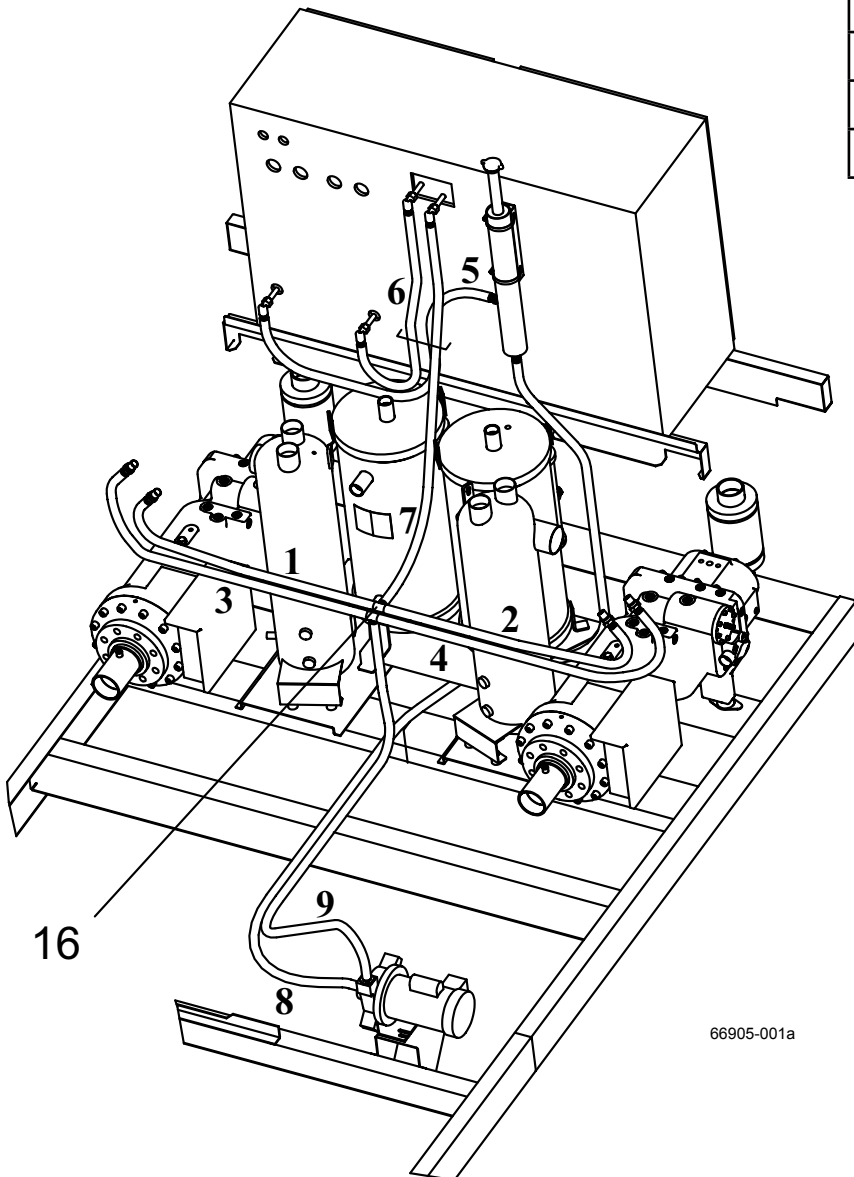
TABLE 4A – SUCTION PIPING WITH SERVICE VALVE OPTION COMPONENTS (SEE FIG. 4A)

ITEM NO.	DESCRIPTION	PART NUMBER
1	Valve, Stop (3 5/8")	022-02845-001
	Gasket	028-13974-000
2	Valve, Stop (4 1/8")	022-11340-001
	Gasket	028-15304-000
3	Valve, Relief	022-11312-000

SECTION 4 - GLYCOL LOOP COMPONENTS
CHILLER MODEL YCIV



HOSE, BLACK RUBBER - 3/4 I.D. (028-11958-000)	
SECTION	LENGTH
1	41"
2	41"
3	50"
4	50"
5	52"
6	43"
7	59"
8	143"
9	91"



66905-001a

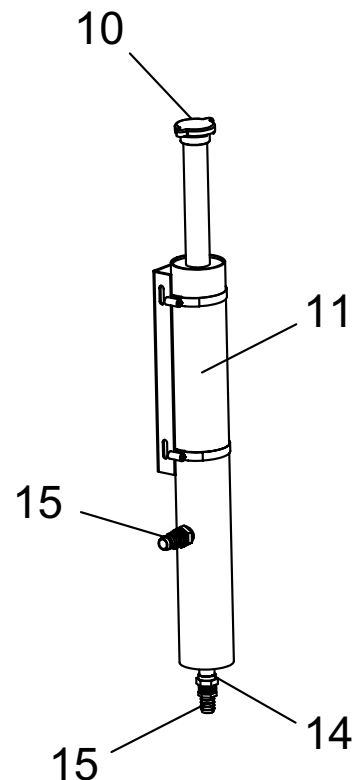


FIG. 4B – GLYCOL LOOP COMPONENTS (REF. TABLE 4B, PAGE 19)

**TABLE 4B – GLYCOL LOOP COMPONENTS (SEE FIG. 4B,
PAGE 18)**

ITEM NO.	QTY PER UNIT	DESCRIPTION	PART NUMBER
10^s	1	CAP, RADIATOR	023-21927-000
11	1	TUBE, GLYCOL	075-55649-000
12	1	PUMP, SINGLE STAGE (60 HERTZ)	026-41611-000
		PUMP, SINGLE STAGE (50 HERTZ)	026-41611-001
13^s	1 gal	COOLANT, PROPYLENE GLYCOL	013-03345-000
	5 gal	COOLANT, PROPYLENE GLYCOL	013-03344-000
14	1	REDUCER	023-21941-000
15	4	FITTING, HOSE BARB	023-21929-000
16	1	TEE	023-22526-000
17	1	BUSHING	023-21934-000
18	1	BUSHING	023-21935-000
19	1	VALVE, DRAIN	023-21874-000

^s = Recommended Spare Parts

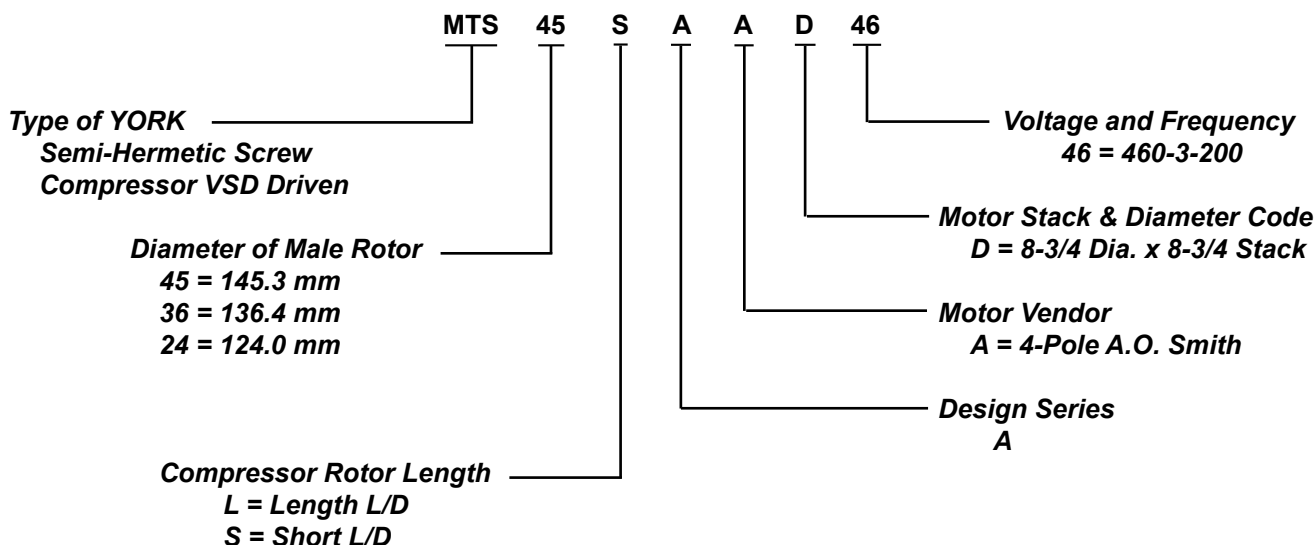
† Note:

VSD cooling system capacity ≈ 3.5 gallons. Fill level when cold ≈ 9"-15" below cap.

CAUTION:

Use only YORK/Johnson Controls Glycol, part number 013-03344-000 or 013-03345-000, with special inhibitors and heat characteristics. Mixing other types of Glycol or the addition of water will cause operating problems or shutdowns, and may cause permanent damage to the cooling system.

SECTION 5 - COMPRESSOR MODEL NOMENCLATURE



COMPRESSOR WEIGHTS		
MM SIZE	WEIGHT (LBS.)*	WEIGHT (Kg.)
145	1310	594
136	1250	567
124	1175	533
112	760	345

*Note: Less Service Valves.

ITEM	REF.	DESCRIPTION	5 GALLON
OIL^s	R-134A	Oil, Type 'L' (Synthetic)	011-00592-000
FILTER^s		Filter, Oil	026-35601-000
O-RING^s		O-Ring, Filter Cover	028-13849-000

^s = Recommended Spare Parts

COMPRESSOR CHANGE OUT PARTS		
MM SIZE	DESCRIPTION	PART NUMBER
All	Heater, Compressor (350 watts)	025-32938-000
	Gasket, Suction Flange	028-15075-159
	Gasket, Discharge Flange	028-15296-000
	Seal, HPCO O-Ring	028-13540-000
	Seal, Economizer O-Ring	028-13963-000

SECTION 5 - COMPRESSOR

TABLE 5 – STANDARD MODEL COMPRESSOR PART NUMBERS

MODEL	PIN #9	VOLT CODE	SYSTEM #1 COMPRESSOR				SYSTEM #2 COMPRESSOR			
			PART #	MODEL #	MM	QTY	PART #	MODEL #	MM	QTY
YCIV0157	E or V	-40	364-50820-100	MTS24SA	124	1	364-50820-100	MTS24SA	124	1
YCIV0157	S or P		364-50820-100	MTS24SA	124	1	364-50820-100	MTS24SA	124	1
YCIV0177	E or V		364-50820-100	MTS24SA	124	1	364-50820-100	MTS24SA	124	1
YCIV0177	S or P		364-50821-100	MTS36SA	136	1	364-50820-100	MTS24SA	124	1
YCIV0187	E or V		364-50821-100	MTS36SA	136	1	364-50820-100	MTS24SA	124	1
YCIV0187	S or P		364-50821-100	MTS36SA	136	1	364-50820-100	MTS24SA	124	1
YCIV0197	E or V		364-50821-100	MTS36SA	136	1	364-50821-100	MTS36SA	136	1
YCIV0207	S or P		364-50821-100	MTS36SA	136	1	364-50821-100	MTS36SA	136	1
YCIV0207	E or V		364-50821-100	MTS36SA	136	1	364-50821-100	MTS36SA	136	1
YCIV0227	S or P		364-50821-100	MTS36SA	136	1	364-50821-100	MTS36SA	136	1
YCIV0227	E or V		364-50821-100	MTS36SA	136	1	364-50821-100	MTS36SA	136	1
YCIV0247	S or P		364-50822-000	MTS45SA	145	1	364-50821-100	MTS36SA	136	1
YCIV0247	E or V		364-50822-000	MTS45SA	145	1	364-50821-100	MTS36SA	136	1
YCIV0267	S or P		364-50822-100	MTS45SA	145	1	364-50822-100	MTS45SA	145	1

MODEL	PIN #9	VOLT CODE	SYSTEM #1 COMPRESSOR				SYSTEM #2 COMPRESSOR			
			PART #	MODEL #	MM	QTY	PART #	MODEL #	MM	QTY
YCIV0157	E or V	-46	364-50820-000	MTS24SA	124	1	364-50820-000	MTS24SA	124	1
YCIV0157	S or P		364-50820-000	MTS24SA	124	1	364-50820-000	MTS24SA	124	1
YCIV0177	E or V		364-50820-000	MTS24SA	124	1	364-50820-000	MTS24SA	124	1
YCIV0177	S or P		364-50821-000	MTS36SA	136	1	364-50820-000	MTS24SA	124	1
YCIV0187	E or V		364-50821-000	MTS36SA	136	1	364-50820-000	MTS24SA	124	1
YCIV0187	S or P		364-50821-000	MTS36SA	136	1	364-50820-000	MTS24SA	124	1
YCIV0197	E or V		364-50821-000	MTS36SA	136	1	364-50821-000	MTS36SA	136	1
YCIV0207	S or P		364-50821-000	MTS36SA	136	1	364-50821-000	MTS36SA	136	1
YCIV0207	E or V		364-50821-000	MTS36SA	136	1	364-50821-000	MTS36SA	136	1
YCIV0227	S or P		364-50821-000	MTS36SA	136	1	364-50821-000	MTS36SA	136	1
YCIV0227	E or V		364-50821-000	MTS36SA	136	1	364-50821-000	MTS36SA	136	1
YCIV0247	S or P		364-50822-000	MTS45SA	145	1	364-50821-100	MTS36SA	136	1
YCIV0247	E or V		364-50822-000	MTS45SA	145	1	364-50821-100	MTS36SA	136	1
YCIV0267	S or P		364-50822-000	MTS45SA	145	1	364-50822-000	MTS45SA	145	1

SECTION 6 - CONTROL AND VSD PANEL CONFIGURATIONS

Power panels and option panels are offered in several different configurations using three (3) major components:

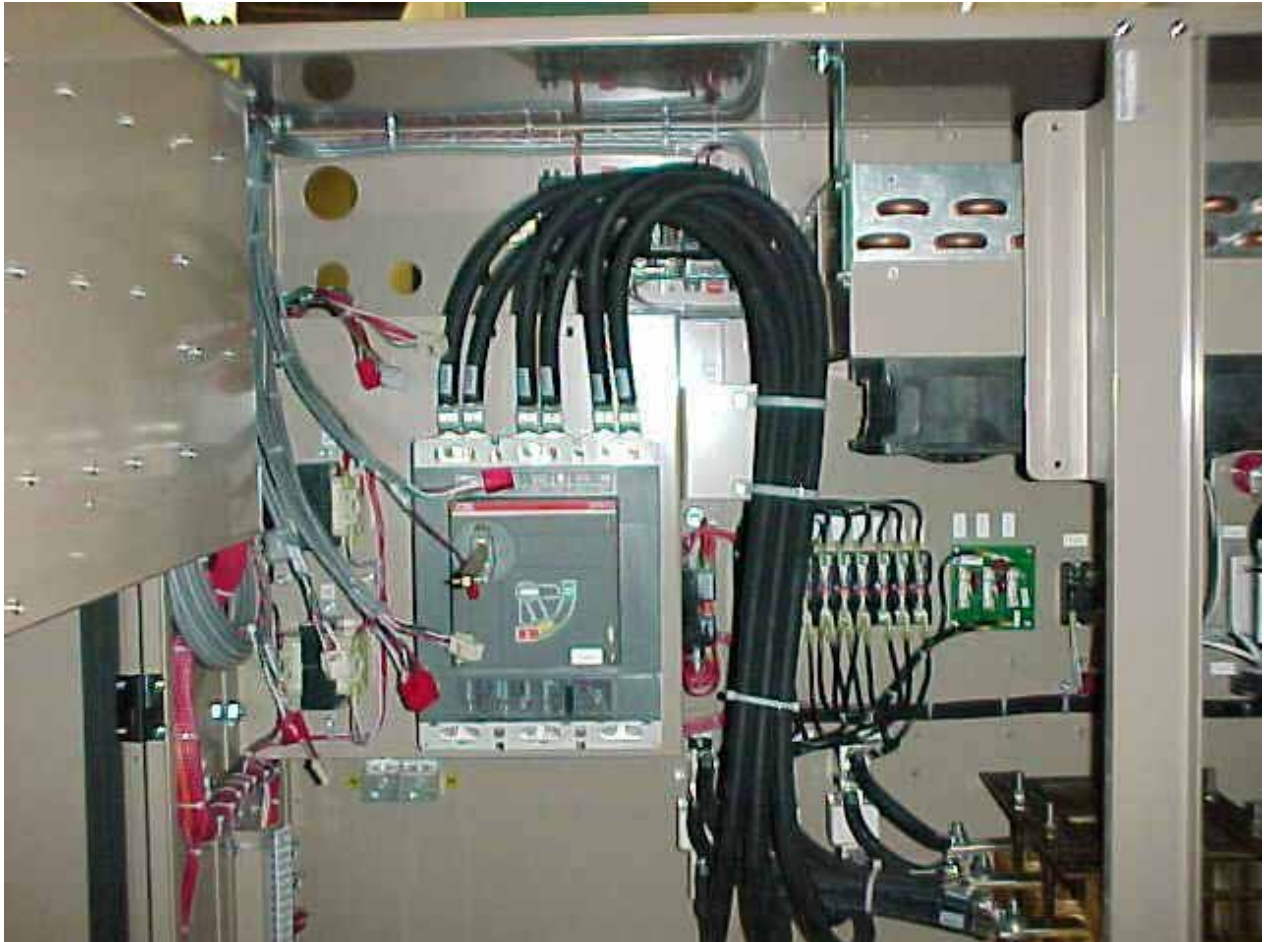
1. TERMINAL BLOCKS
2. CIRCUIT BREAKERS
3. NON-FUSED DISCONNECT SWITCHES

The most basic chiller power wiring configuration uses TERMINAL BLOCKS in the power panels, and an options panel with no power wire termination hardware. See figures on previous page. The model pin number locations 16 and 17 would be X and X to reflect this basic combination. Identify model pin number locations 16 and 17 to identify the chiller power wiring connections and hardware listed below.

PIN 16 & 17 LETTER CODE IDENTIFIERS		OPTION PANEL AND POWER PANEL CONFIGURATIONS
S	X	Single Point Supply Terminal Block
B	X	Single Point Supply Circuit Breaker
S	S	Single Point Supply Terminal Block w/ Separate System Non-Fused Disconnect Switch
C	S	Single Point Supply Circuit Breaker w/ Separate System Non-Fused Disconnect Switch



FIG. 5 – CONTROL, OPTIONS AND POWER PANELS LAYOUT



***Note:** On units with Single Point Terminal Blocks, the terminal blocks are located in the same space as the Single Point Circuit Breaker shown in Fig. 5A.

FIG. 5A – EXAMPLES OF POWER WIRING CONFIGURATIONS (2-COMPRESSOR UNITS)

SECTION 6 - VARIABLE SPEED DRIVE PANEL COMPONENTS

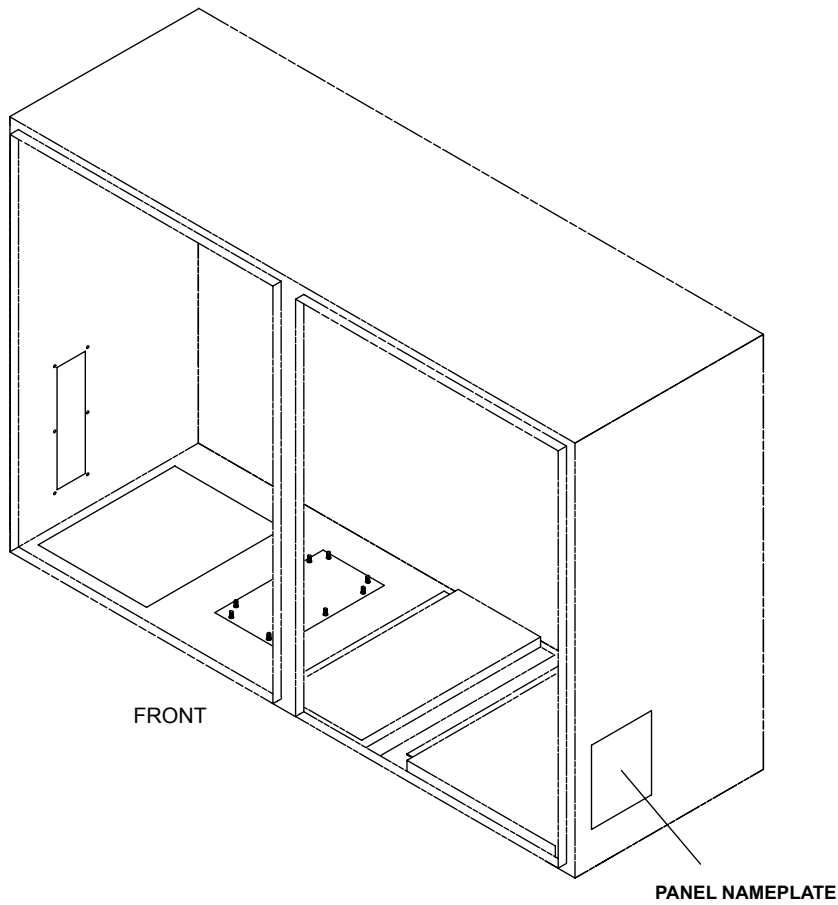


FIG. 5B – VSD / CONTROL PANEL IDENTIFIER LOCATION (2-COMPRESSOR UNITS)



Twist Latch Key: 029-23454-000
Small Wing Knob Latch Key: 029-25104-000

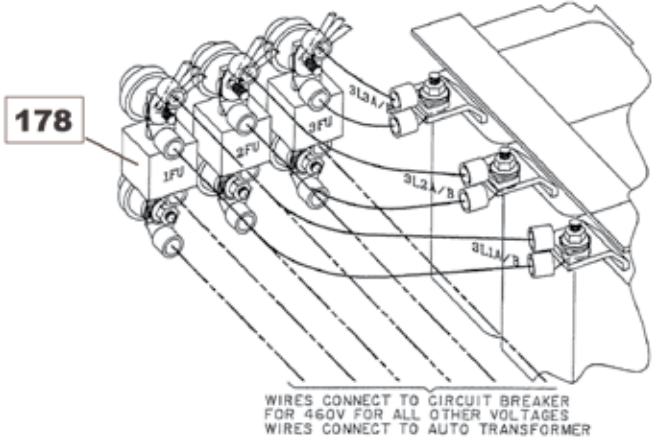
FIG. 5C – VSD / CONTROL PANEL KEY PART NUMBERS

TABLE 7 – VSD / CONTROL PANEL IDENTIFIERS, TO IDENTIFY REPLACEMENT PART NUMBERS, LOCATE THE POWER PANEL NAMEPLATE (FIG. 5B, PAGE 24) OR SELECT PANEL IDENTIFIER NUMBER FROM THE TABLES BELOW, THEN REFER TO THE VSD/ CONTROL PANEL COMPONENTS INFORMATION (PAGES 31-39).

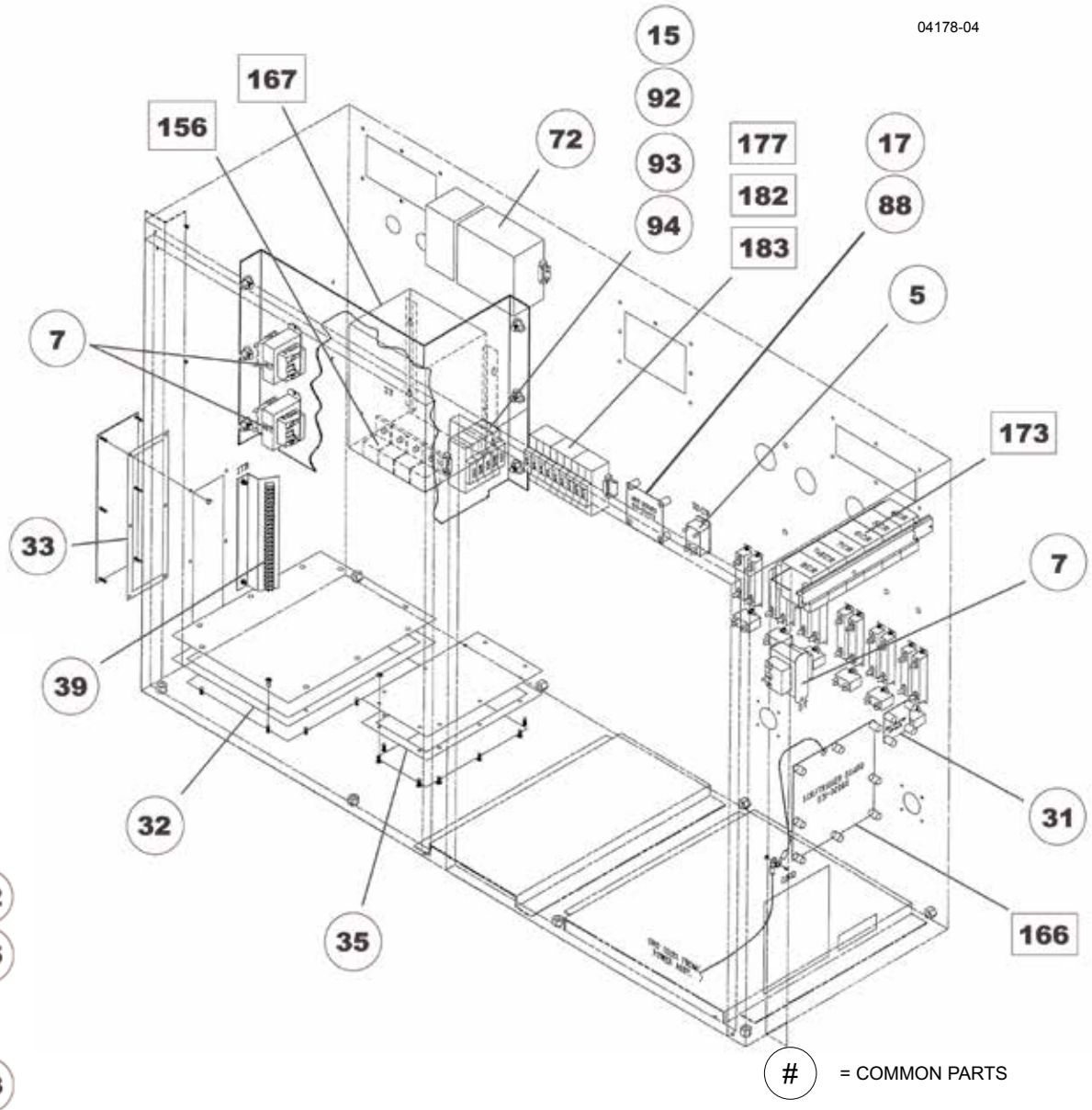
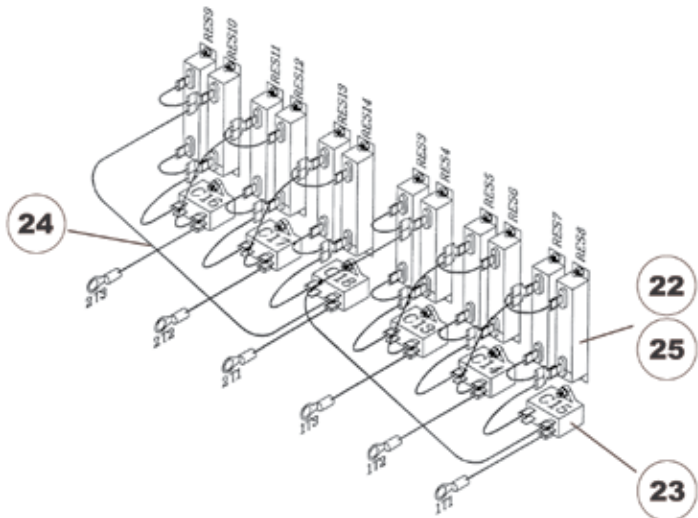
VSD / Control Panel Part Numbers for Models YCIV0157 thru YCIV0227					
Voltage Code	Qty	Standard, Ultra Quiet or Two Speed Fans			
		Single Point Terminal Block		Single Point Circuit Breaker	
		No Ambient Kit, Temp. Reset/ Offset and/or Current Reset/ Offset	E-Link Gateway	No Ambient Kit, Temp. Reset/ Offset and/or Current Reset/ Offset	E-Link Gateway
17	1	N/A	N/A	N/A	N/A
28		N/A	N/A	N/A	N/A
40		371-04178-603	371-04178-615	371-04178-609	371-04178-621
46		371-04178-105	371-04178-117	371-04178-111	371-04178-123
58		N/A	N/A	N/A	N/A
Voltage Code	Qty	High Static Fans			
		Single Point Terminal Block		Single Point Circuit Breaker	
		No Ambient Kit, Temp. Reset/ Offset and/or Current Reset/ Offset	E-Link Gateway	No Ambient Kit, Temp. Reset/ Offset and/or Current Reset/ Offset	E-Link Gateway
17	1	N/A	N/A	N/A	N/A
28		N/A	N/A	N/A	N/A
40		371-04178-623	371-04178-627	371-04178-625	371-04178-629
46		371-04178-129	371-04178-141	371-04178-135	371-04178-147
58		N/A	N/A	N/A	N/A

TABLE 7 – VSD / CONTROL PANEL IDENTIFIERS, TO IDENTIFY REPLACEMENT PART NUMBERS, LOCATE THE POWER PANEL NAMEPLATE (FIG. 5B, PAGE 24) OR SELECT PANEL IDENTIFIER NUMBER FROM THE TABLES BELOW, THEN REFER TO THE VSD/ CONTROL PANEL COMPONENTS INFORMATION (PAGES 31-39).

VSD / Control Panel Part Numbers for Models YCIV0247 thru YCIV0267					
Voltage Code	Qty	Standard, Ultra Quiet or Two Speed Fans			
		Single Point Terminal Block		Single Point Circuit Breaker	
		No Ambient Kit, Temp. Reset/ Offset and/or Current Reset/ Offset	E-Link Gateway	No Ambient Kit, Temp. Reset/ Offset and/or Current Reset/ Offset	E-Link Gateway
17	1	N/A	N/A	N/A	N/A
28		N/A	N/A	N/A	N/A
40		371-04178-703	371-04178-715	371-04178-709	371-04178-721
46		371-04178-105	371-04178-117	371-04178-111	371-04178-123
58		N/A	N/A	N/A	N/A
Voltage Code	Qty	High Static Fans			
		Single Point Terminal Block		Single Point Circuit Breaker	
		No Ambient Kit, Temp. Reset/ Offset and/or Current Reset/ Offset	E-Link Gateway	No Ambient Kit, Temp. Reset/ Offset and/or Current Reset/ Offset	E-Link Gateway
17	1	N/A	N/A	N/A	N/A
28		N/A	N/A	N/A	N/A
40		371-04178-723	371-04178-727	371-04178-725	371-04178-729
46		371-04178-129	371-04178-141	371-04178-135	371-04178-147
58		N/A	N/A	N/A	N/A



04178-5a



- # = COMMON PARTS
- # = VARIABLE PARTS
- * # = OBSOLETED PARTS

FIG. 6 – VARIABLE SPEED DRIVE COMPONENTS (REF. 'COMMON PARTS' TABLE 8, PAGE 31 AND VARIABLE PARTS TABLE 8A, PAGES 32-39)

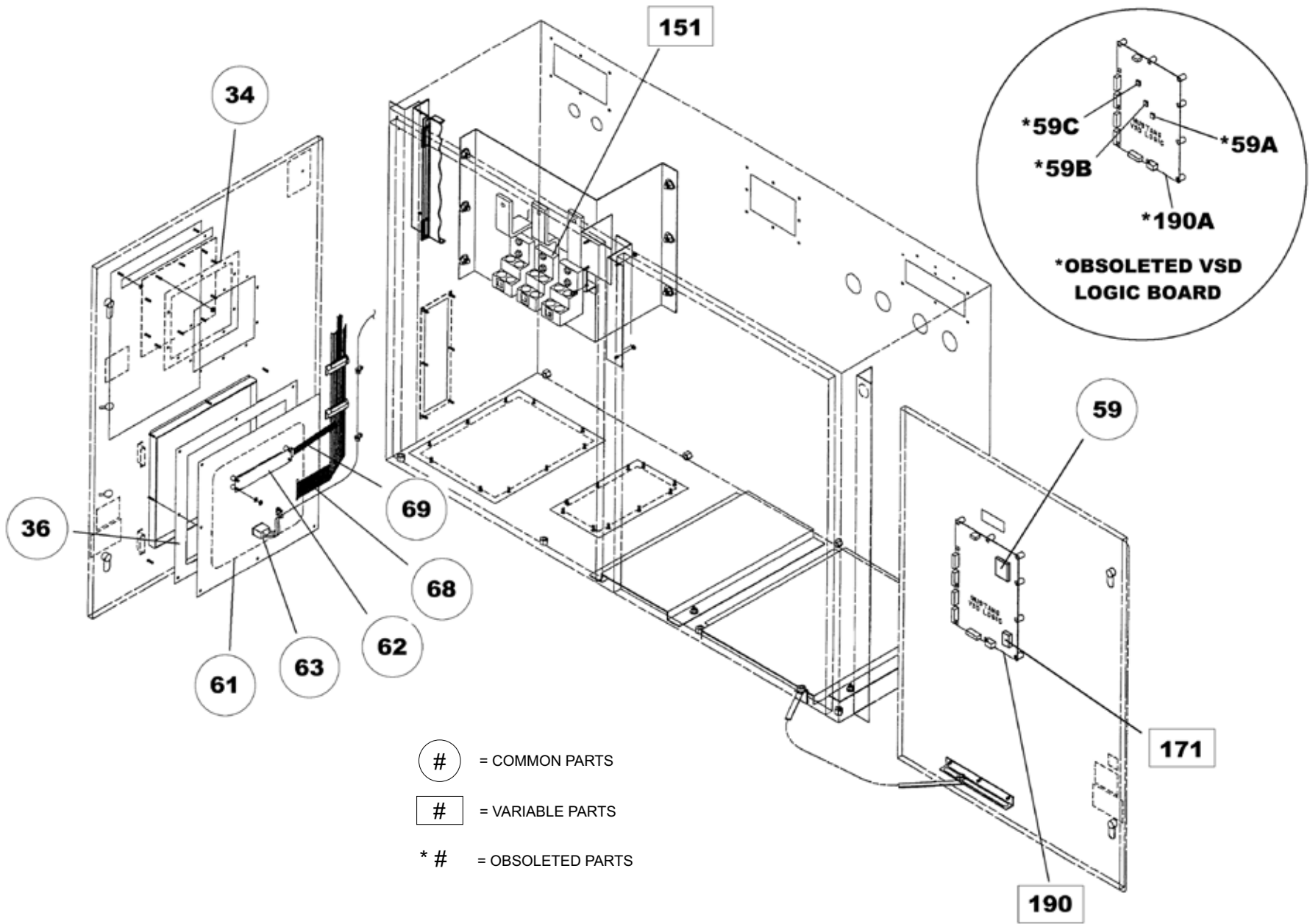
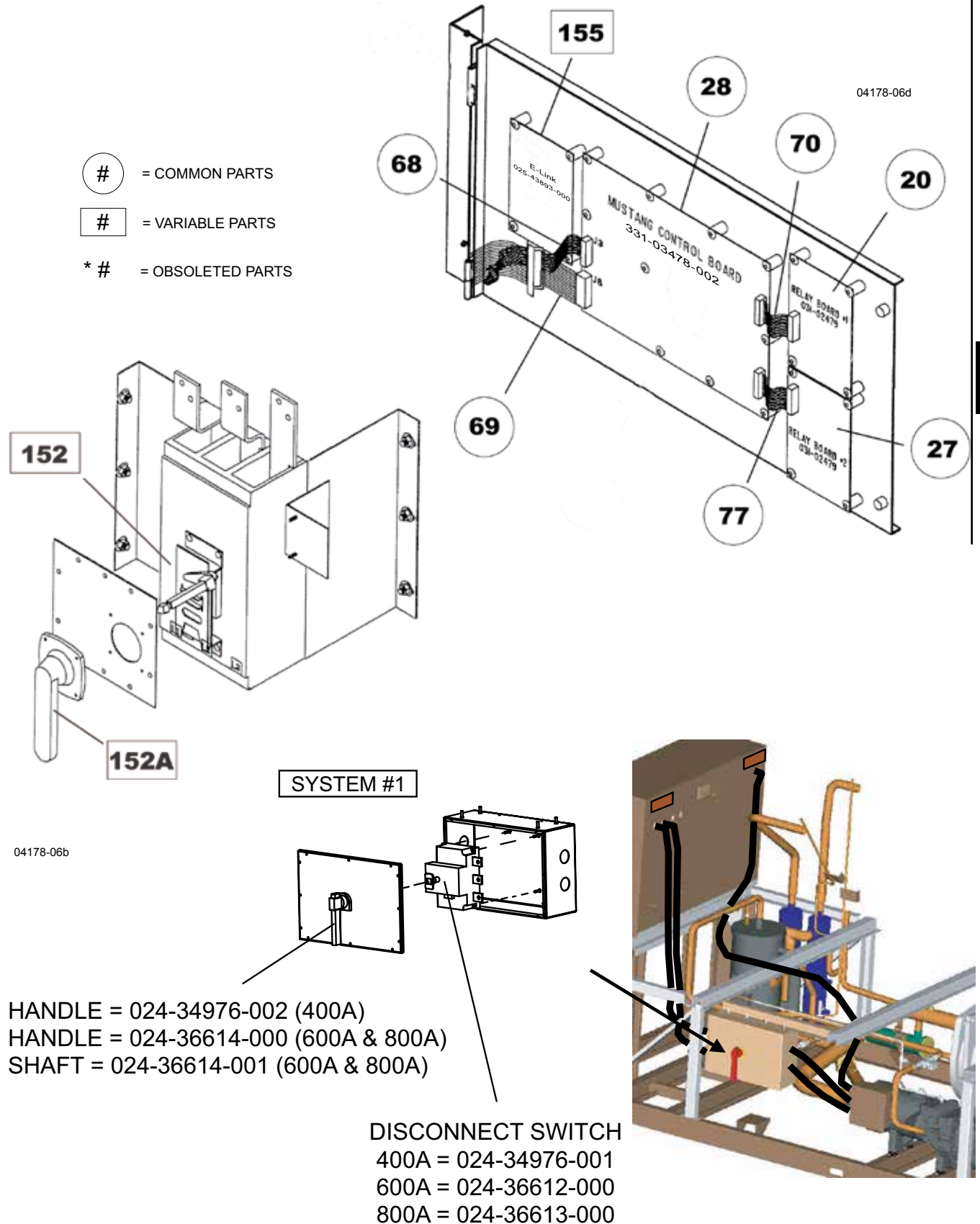


FIG. 6A – VARIABLE SPEED DRIVE COMPONENTS (REF. 'COMMON PARTS' TABLE 8, PAGE 31 AND VARIABLE PARTS TABLE 8A, PAGES 32-39)

04178-06



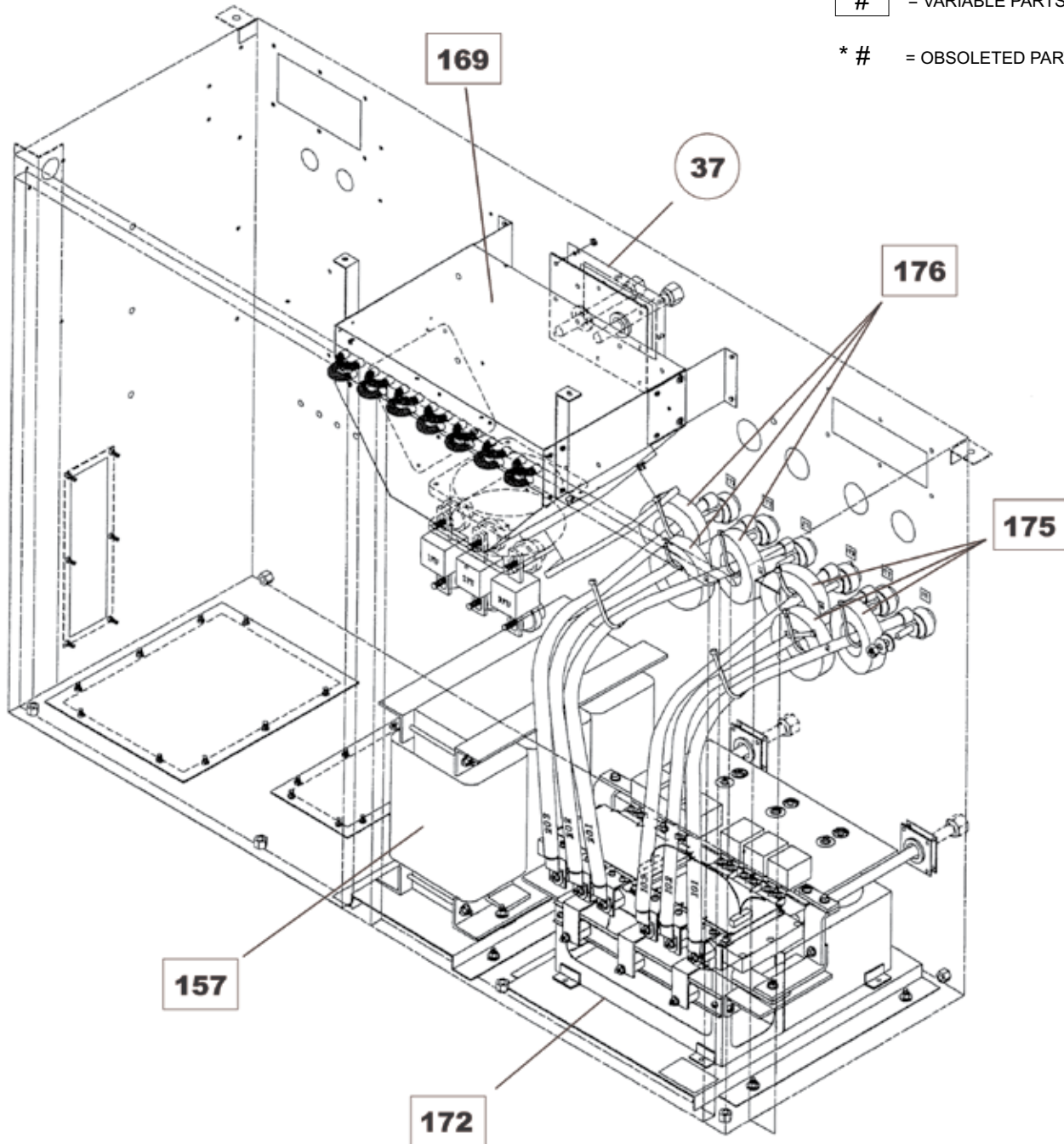
- ⊕ # = COMMON PARTS
- ▭ # = VARIABLE PARTS
- * # = OBSOLETE PARTS

HANDLE = 024-34976-002 (400A)
 HANDLE = 024-36614-000 (600A & 800A)
 SHAFT = 024-36614-001 (600A & 800A)

DISCONNECT SWITCH
 400A = 024-34976-001
 600A = 024-36612-000
 800A = 024-36613-000

FIG. 6B – VARIABLE SPEED DRIVE COMPONENTS (REF. 'COMMON PARTS' TABLE 8, PAGE 31 AND VARIABLE PARTS TABLE 8A, PAGES 32-39)

- ⊕ # = COMMON PARTS
- ▭ # = VARIABLE PARTS
- * # = OBSOLETE PARTS



04178-05

FIG. 6C – VARIABLE SPEED DRIVE COMPONENTS (REF. 'COMMON PARTS' TABLE 8, PAGE 31 AND VARIABLE PARTS TABLE 8A, PAGES 32-39)

TABLE 8 – VARIABLE SPEED DRIVE COMMON PARTS (SEE. FIGS. 6-6C, PAGES 27-30)

ITEM NUMBER	QUANTITY PER UNIT	DESCRIPTION	YORK PART NUMBER
5	1	RELAY, PUMP / FAN	024-30441-000
7	3	TRANSFORMER, 75VA (3T, 10T, 11T)	025-27911-000
15	5	FUSE HOLDER, 1 POLE - 30A	025-39951-000
17	1	VOLTAGE SUPPRESSION BOARD	031-02453-000
20	1	RELAY BOARD #1	031-02479-001
22	12	RESISTOR (R3-R14)	025-35953-000
23	6	CAPACITOR (C13-C18)	025-39806-000
24	1	WIRING KIT, DVDT	571-04178-211
25	12	PAD, THERMAL	028-15299-000
27	1	RELAY BOARD #2	031-02479-002
28 ^S	1	CHILLER CONTROL BOARD Superseded by 331-03478-xxx	031-02478-002
28A ^S	1 Only for use with 031-02478-002	EPROM, CONTROL BOARD (STANDARD)	031-02476-001
		EPROM, CONTROL BOARD (OPTIMIZED)	031-02476-002
28B	1	CHILLER CONTROL BOARD with Program Card	
		STANDARD IPLV 3,4 COMPRESSOR	331-03478-601
		STANDARD IPLV 2 COMPRESSOR	331-03478-602
		OPTIMIZED IPLV 3,4 COMPRESSOR	331-03478-603
		OPTIMIZED IPLV 2 COMPRESSOR	331-03478-604
31	1	BUS ISOLATION BOARD	031-01624-000
32	1	GASKET, FIELD POWER	028-15246-000
33	1	GASKET, CUSTOMER CONNECTIONS	028-15247-000
34	1	GASKET, CIRCUIT BREAKER	028-15248-000
35	1	GASKET, AUTO TRANSFORMER	028-15249-000
36	1	GASKET, KEYPAD / DISPLAY	028-15250-000
37	1	GASKET, COIL	028-15251-000
59	1	EPROM, PWM GENERATOR U39	031-02522-001*
59a	1	EPROM, LOGIC BOARD U36 (obsolete)	031-02521-001**
59b	1	PROM, FPGA U41 (obsolete)	031-02523-001**
59c	1	EPROM, LOGIC BOARD U39 (obsolete)	031-02522-001**
61	1	KEYPAD, LATITUDE	024-34930-000***
	1	OVERLAY, KEYPAD (ENGLISH)	024-34930-001***
62	1	DISPLAY, LATITUDE	031-02508-000
63	1	SWITCH, ON / OFF	024-34951-000
68	1	CABLE, RIBBON (DISPLAY)	571-04178-261
69	1	CABLE, RIBBON (KEYPAD)	571-04178-262
70	1	CABLE, RIBBON (RELAY BOARD #1)	571-04178-263
72 ^S	1	CONTROLLER, DRAIN/FEED (90° FLOW)	031-02510-000****
	1	CONTROLLER, DRAIN/FEED (STRAIGHT FLOW)	031-02742-000****
77	1	CABLE, RIBBON (RELAY BOARD #2)	571-04178-264
88	3	FUSES (11FU, 12FU, 13FU)	025-38523-000
92	1	FUSE, 15A (18FU)	025-34141-000
93	1	FUSE, 20A (17FU)	025-35908-000
94	3	FUSE, 6A (20FU, 21FU)	025-35902-000
100	1	RTC (LITHIUM BATTERY), CONTROL BOARD (Not Shown)	031-02502-000
101	1	RTC (LITHIUM BATTERY), VSD LOGIC BOARD (Not Shown)	031-01620-000

* Note: Used on new 031-02507-000 VSD Logic Board.

** Note: Only used on obsolete 031-02477--000 VSD Logic Board (no longer available).

*** Note: Both the keypad and overlay must be replaced when replacing the keypad.

**** Note: See pages 15 and 16 for valve type to aid in identifying the controller.

TABLE 8A – VARIABLE SPEED DRIVE COMPONENTS (SEE. FIGS. 6-6C, PAGES 27-30)

Item Number	Description	371-04178-603* -40		371-04178-105* -46		371-04178-615* -40		371-04178-117* -46	
		Qty	Part Number	Qty	Part Number	Qty	Part Number	Qty	Part Number
151	Single Point Terminal Block Kit	1	371-04460-004	1	371-04460-004	1	371-04460-004	1	371-04460-004
152	Single Point Circuit Breaker	-	N/A	-	N/A	-	N/A	-	N/A
152A	Operator Mechanism (Shaft and Handle)	-	N/A	-	N/A	-	N/A	-	N/A
155	E-Link Gateway Board	-	N/A	-	N/A	1	025-43893-000	1	025-43893-000
156	Ground Lugs	2	025-32835-000	2	025-32835-000	2	025-32835-000	2	025-32835-000
157	Inductor	1	025-39677-000	1	025-39677-000	1	025-39677-000	1	025-39677-000
166	SCR Trigger Board	1	031-02060-001	1	031-02060-001	1	031-02060-001	1	031-02060-001
167	Control Transformer 2T	1	025-40114-007	1	025-40114-001	1	025-40114-007	1	025-40114-001
169	Cooling Fan Ass'y	1	371-04179-502	1	371-04179-502	1	371-04179-502	1	371-04179-502
171	Eprom, Logic Board (U52)	1	031-02649-002	1	031-02649-001	1	031-02649-002	1	031-02649-001
172	VSD Power Assembly (See Page 42)	1	371-04181-101	1	371-04181-101	1	371-04181-101	1	371-04181-101
173	Fan Contactor	6	024-34916-000	6	024-34916-000	6	024-34916-000	6	024-34916-000
173A	Harness, Fan Contactor	1	571-04178-231	1	571-04178-231	1	571-04178-231	1	571-04178-231
175	Transformer, Current (Sys. 1) 300 : 0.1 Ratio	3	025-21173-009	3	025-21173-009	3	025-21173-009	3	025-21173-009
176	Transformer, Current (Sys. 2) 300 : 0.1 Ratio	3	025-21173-009	3	025-21173-009	3	025-21173-009	3	025-21173-009
177	Fuse Holder (3 Pole)	3	025-39952-000	3	025-39952-000	3	025-39952-000	3	025-39952-000
178	Fuse (1FU, 2FU, 3FU)	3	025-39681-000	3	025-39681-000	3	025-39681-000	3	025-39681-000
182	Fuse, 30A (7-9FU, 14-16FU)	6	025-39683-000	6	025-39683-000	6	025-39683-000	6	025-39683-000
183	Fuse, 10A (4FU, 5FU, 19FU)	3	031-35906-000	3	031-35905-000	3	031-35906-000	3	031-35905-000
190	VSD Logic Board*	1	031-02507-100	1	031-02507-000	1	031-02507-100	1	031-02507-000
190A	VSD Logic Board (Obsolete)*	1	031-02477-100	1	031-02477-000	1	031-02477-100	1	031-02477-000

* Note: Must order VSD Logic Board Kit (331-02507-601) when replacing Logic Board (Kit includes EPROMs and PWM Generator - 59 & 171).

Service Note:

Locate the PANEL NUMBER nameplate on the lower right hand outside corner of the power panel, then refer to the appropriate parts list for that number. Or, identify PIN number positions 16 and 17 on unit identification late (See example on Page 4) then compare to table above for power configuration options.

TABLE 8A (CONTINUED) – VARIABLE SPEED DRIVE COMPONENTS (SEE FIGS. 6-6C, PAGES 27-30)

Item Number	Description	371-04178-609* -40		371-04178-111* -46		371-04178-621* -40		371-04178-123* -46	
		Qty	Part Number	Qty	Part Number	Qty	Part Number	Qty	Part Number
151	Single Point Terminal Block Kit	-	N/A	-	N/A	-	N/A	-	N/A
152	Single Point Circuit Breaker	1	224-34965-001	1	224-34965-001	1	224-34965-001	1	224-34965-001
152A	Operator Mechanism (Shaft and Handle)	1	024-34922-000	1	024-34922-000	1	024-34922-000	1	024-34922-000
155	E-Link Gateway Board	-	N/A	-	N/A	1	025-43893-000	1	025-43893-000
156	Ground Lugs	2	025-32835-000	2	025-32835-000	2	025-32835-000	2	025-32835-000
157	Inductor	1	025-39677-000	1	025-39677-000	1	025-39677-000	1	025-39677-000
166	SCR Trigger Board	1	031-02060-001	1	031-02060-001	1	031-02060-001	1	031-02060-001
167	Control Transformer 2T	1	025-40114-007	1	025-40114-001	1	025-40114-007	1	025-40114-001
169	Cooling Fan Ass'y	1	371-04179-502	1	371-04179-502	1	371-04179-502	1	371-04179-502
171	Eprom, Logic Board (U52)	1	031-02649-002	1	031-02649-001	1	031-02649-002	1	031-02649-001
172	VSD Power Assembly (See Page 42)	1	371-04181-101	1	371-04181-101	1	371-04181-101	1	371-04181-101
173	Fan Contactor	6	024-34916-000	6	024-34916-000	6	024-34916-000	6	024-34916-000
173A	Harness, Fan Contactor	1	571-04178-231	1	571-04178-231	1	571-04178-231	1	571-04178-231
175	Transformer, Current (Sys. 1) 300 : 0.1 Ratio	3	025-21173-009	3	025-21173-009	3	025-21173-009	3	025-21173-009
176	Transformer, Current (Sys. 2) 300 : 0.1 Ratio	3	025-21173-009	3	025-21173-009	3	025-21173-009	3	025-21173-009
177	Fuse Holder (3 Pole)	3	025-39952-000	3	025-39952-000	3	025-39952-000	3	025-39952-000
178	Fuse (1FU, 2FU, 3FU)	3	025-39681-000	3	025-39681-000	3	025-39681-000	3	025-39681-000
182	Fuse, 30A (7-9FU, 14-16FU)	6	025-39683-000	6	025-39683-000	6	025-39683-000	6	025-39683-000
183	Fuse, 10A (4FU, 5FU, 19FU)	3	031-35906-000	3	031-35905-000	3	031-35906-000	3	031-35905-000
190	VSD Logic Board*	1	031-02507-100	1	031-02507-000	1	031-02507-100	1	031-02507-000
190A	VSD Logic Board (Obsolete)*	1	031-02477-100	1	031-02477-000	1	031-02477-100	1	031-02477-000

* Note: Must order VSD Logic Board Kit (331-02507-601) when replacing Logic Board (Kit includes EPROMs and PWM Generator - 59 & 171).

Service Note:

Locate the PANEL NUMBER nameplate on the lower right hand outside corner of the power panel, then refer to the appropriate parts list for that number. Or, identify PIN number positions 16 and 17 on unit identification late (See example on Page 4) then compare to table above for power configuration options.

TABLE 8A (CONTINUED) – VARIABLE SPEED DRIVE COMPONENTS (SEE. FIGS. 6-6C, PAGES 27-30)

Item Number	Description	371-04178-623* -40		371-04178-129* -46		371-04178-627* -40		371-04178-141* -46	
		Qty	Part Number	Qty	Part Number	Qty	Part Number	Qty	Part Number
151	Single Point Terminal Block Kit	1	371-04460-006	1	371-04460-006	1	371-04460-006	1	371-04460-006
152	Single Point Circuit Breaker	-	N/A	-	N/A	-	N/A	-	N/A
152A	Operator Mechanism (Shaft and Handle)	-	N/A	-	N/A	-	N/A	-	N/A
155	E-Link Gateway Board	-	N/A	-	N/A	1	025-43893-000	1	025-43893-000
156	Ground Lugs	3	025-32835-000	3	025-32835-000	3	025-32835-000	3	025-32835-000
157	Inductor	1	025-39677-000	1	025-39677-000	1	025-39677-000	1	025-39677-000
166	SCR Trigger Board	1	031-02060-001	1	031-02060-001	1	031-02060-001	1	031-02060-001
167	Control Transformer 2T	1	025-40114-007	1	025-40114-001	1	025-40114-007	1	025-40114-001
169	Cooling Fan Ass'y	1	371-04179-502	1	371-04179-502	1	371-04179-502	1	371-04179-502
171	Eprom, Logic Board (U52)	1	031-02649-002	1	031-02649-001	1	031-02649-002	1	031-02649-001
172	VSD Power Assembly (See Page 42)	1	371-04181-101	1	371-04181-101	1	371-04181-101	1	371-04181-101
173	Fan Contactor	6	024-34916-000	6	024-34916-000	6	024-35905-000	6	024-35905-000
173A	Harness, Fan Contactor	1	571-04178-231	1	571-04178-231	1	571-04178-241	1	571-04178-241
175	Transformer, Current (Sys. 1) 300 : 0.1 Ratio	3	025-21173-009	3	025-21173-009	3	025-21173-009	3	025-21173-009
176	Transformer, Current (Sys. 2) 300 : 0.1 Ratio	3	025-21173-009	3	025-21173-009	3	025-21173-009	3	025-21173-009
177	Fuse Holder (3 Pole)	7	025-39952-000	7	025-39952-000	7	025-39952-000	7	025-39952-000
178	Fuse (1FU, 2FU, 3FU)	3	025-40763-000	3	025-40763-000	3	025-40763-000	3	025-40763-000
182	Fuse, 30A (7-9FU, 14-16FU)	18	025-39683-000	18	025-39683-000	18	025-39683-000	18	025-39683-000
183	Fuse, 10A (4FU, 5FU, 19FU)	3	031-35906-000	3	031-35905-000	3	031-35906-000	3	031-35905-000
190	VSD Logic Board*	1	031-02507-100	1	031-02507-000	1	031-02507-100	1	031-02507-000
190A	VSD Logic Board (Obsolete)*	1	031-02477-100	1	031-02477-000	1	031-02477-100	1	031-02477-000

* Note: Must order VSD Logic Board Kit (331-02507-601) when replacing Logic Board (Kit includes EPROMs and PWM Generator - 59 & 171).

Service Note:

Locate the PANEL NUMBER nameplate on the lower right hand outside corner of the power panel, then refer to the appropriate parts list for that number. Or, identify PIN number positions 16 and 17 on unit identification late (See example on Page 4) then compare to table above for power configuration options.

TABLE 8A (CONTINUED) – VARIABLE SPEED DRIVE COMPONENTS (SEE. FIGS. 6-6C, PAGES 27-30)

Item Number	Description	371-04178-625* -40		371-04178-135* -46		371-04178-629* -40		371-04178-147* -46	
		Qty	Part Number	Qty	Part Number	Qty	Part Number	Qty	Part Number
151	Single Point Terminal Block Kit	-	N/A	-	N/A	-	N/A	-	N/A
152	Single Point Circuit Breaker	1	224-34966-001	1	224-34966-001	1	224-34966-001	1	224-34966-001
152A	Operator Mechanism (Shaft and Handle)	1	024-34922-000	1	024-34922-000	1	024-34922-000	1	024-34922-000
155	E-Link Gateway Board	-	N/A	-	N/A	1	025-43893-000	1	025-43893-000
156	Ground Lugs	3	025-32835-000	3	025-32835-000	3	025-32835-000	3	025-32835-000
157	Inductor	1	025-39677-000	1	025-39677-000	1	025-39677-000	1	025-39677-000
166	SCR Trigger Board	1	031-02060-001	1	031-02060-001	1	031-02060-001	1	031-02060-001
167	Control Transformer 2T	1	025-40114-007	1	025-40114-001	1	025-40114-007	1	025-40114-001
169	Cooling Fan Ass'y	1	371-04179-502	1	371-04179-502	1	371-04179-502	1	371-04179-502
171	Eprom, Logic Board (U52)	1	031-02649-002	1	031-02649-001	1	031-02649-002	1	031-02649-001
172	VSD Power Assembly (See Page 42)	1	371-04181-101	1	371-04181-101	1	371-04181-101	1	371-04181-101
173	Fan Contactor	6	024-35905-000	6	024-35905-000	6	024-35905-000	6	024-35905-000
173A	Harness, Fan Contactor	1	571-04178-241	1	571-04178-241	1	571-04178-241	1	571-04178-241
175	Transformer, Current (Sys. 1) 300 : 0.1 Ratio	3	025-21173-009	3	025-21173-009	3	025-21173-009	3	025-21173-009
176	Transformer, Current (Sys. 2) 300 : 0.1 Ratio	3	025-21173-009	3	025-21173-009	3	025-21173-009	3	025-21173-009
177	Fuse Holder (3 Pole)	7	025-39952-000	7	025-39952-000	7	025-39952-000	7	025-39952-000
178	Fuse (1FU, 2FU, 3FU)	3	025-40763-000	3	025-40763-000	3	025-40763-000	3	025-40763-000
182	Fuse, 30A (7-9FU, 14-16FU)	18	025-39683-000	18	025-39683-000	18	025-39683-000	18	025-39683-000
183	Fuse, 10A (4FU, 5FU, 19FU)	3	031-35906-000	3	031-35905-000	3	031-35906-000	3	031-35905-000
190	VSD Logic Board*	1	031-02507-100	1	031-02507-000	1	031-02507-100	1	031-02507-000
190A	VSD Logic Board (Obsolete)*	1	031-02477-100	1	031-02477-000	1	031-02477-100	1	031-02477-000

* Note: Must order VSD Logic Board Kit (331-02507-601) when replacing Logic Board (Kit includes EPROMs and PWM Generator - 59 & 171).

Service Note:

Locate the PANEL NUMBER nameplate on the lower right hand outside corner of the power panel, then refer to the appropriate parts list for that number. Or, identify PIN number positions 16 and 17 on unit identification late (See example on Page 4) then compare to table above for power configuration options.

TABLE 8A (CONTINUED) – VARIABLE SPEED DRIVE COMPONENTS (SEE. FIGS. 6-6C, PAGES 27-30)

Item Number	Description	371-04178-703* -40		371-04178-105* -46		371-04178-715* -40		371-04178-117* -46	
		Qty	Part Number	Qty	Part Number	Qty	Part Number	Qty	Part Number
151	Single Point Terminal Block Kit	1	371-04460-006	1	371-04460-004	1	371-04460-006	1	371-04460-004
152	Single Point Circuit Breaker	-	N/A	-	N/A	-	N/A	-	N/A
152A	Operator Mechanism (Shaft and Handle)	-	N/A	-	N/A	-	N/A	-	N/A
155	E-Link Gateway Board	-	N/A	-	N/A	1	025-43893-000	1	025-43893-000
156	Ground Lugs	3	025-32835-000	2	025-32835-000	3	025-32835-000	2	025-32835-000
157	Inductor	1	025-40742-000	1	025-39677-000	1	025-40742-000	1	025-39677-000
166	SCR Trigger Board	1	031-02060-001	1	031-02060-001	1	031-02060-001	1	031-02060-001
167	Control Transformer 2T	1	025-40114-007	1	025-40114-001	1	025-40114-007	1	025-40114-001
169	Cooling Fan Ass'y	1	371-04179-513	1	371-04179-502	1	371-04179-513	1	371-04179-502
171	Eprom, Logic Board (U52)	1	031-02649-003	1	031-02649-001	1	031-02649-003	1	031-02649-001
172	VSD Power Assembly (See Page 42)	1	371-04181-104	1	371-04181-101	1	371-04181-104	1	371-04181-101
173	Fan Contactor	6	024-34916-000	6	024-34916-000	6	024-34916-000	6	024-34916-000
173A	Harness, Fan Contactor	1	571-04178-231	1	571-04178-231	1	571-04178-231	1	571-04178-231
175	Transformer, Current (Sys. 1) 300 : 0.1 Ratio	3	025-21173-010	3	025-21173-009	3	025-21173-010	3	025-21173-009
176	Transformer, Current (Sys. 2) 300 : 0.1 Ratio	3	025-21173-010	3	025-21173-009	3	025-21173-010	3	025-21173-009
177	Fuse Holder (3 Pole)	3	025-39952-000	3	025-39952-000	3	025-39952-000	3	025-39952-000
178	Fuse (1FU, 2FU, 3FU)	3	025-40786-000	3	025-39681-000	3	025-40786-000	3	025-39681-000
182	Fuse, 30A (7-9FU, 14-16FU)	6	025-39683-000	6	025-39683-000	6	025-39683-000	6	025-39683-000
183	Fuse, 10A (4FU, 5FU, 19FU)	3	031-35906-000	3	031-35905-000	3	031-35906-000	3	031-35905-000
190	VSD Logic Board*	1	031-02507-000	1	031-02507-000	1	031-02507-000	1	031-02507-000
190A	VSD Logic Board (Obsolete)*	1	031-02477-000	1	031-02477-000	1	031-02477-000	1	031-02477-000

* Note: Must order VSD Logic Board Kit (331-02507-601) when replacing Logic Board (Kit includes EPROMs and PWM Generator - 59 & 171).

Service Note:

Locate the PANEL NUMBER nameplate on the lower right hand outside corner of the power panel, then refer to the appropriate parts list for that number. Or, identify PIN number positions 16 and 17 on unit identification late (See example on Page 4) then compare to table above for power configuration options.

TABLE 8A (CONTINUED) – VARIABLE SPEED DRIVE COMPONENTS (SEE. FIGS. 6-6C, PAGES 27-30)

Item Number	Description	371-04178-709* -40		371-04178-111* -46		371-04178-721* -40		371-04178-123* -46	
		Qty	Part Number	Qty	Part Number	Qty	Part Number	Qty	Part Number
151	Single Point Terminal Block Kit	-	N/A	-	N/A	-	N/A	-	N/A
152	Single Point Circuit Breaker	1	224-34966-001	1	224-34965-001	1	224-34966-001	1	224-34965-001
152A	Operator Mechanism (Shaft and Handle)	1	024-34922-000	1	024-34922-000	1	024-34922-000	1	024-34922-000
155	E-Link Gateway Board	-	N/A	-	N/A	1	025-43893-000	1	025-43893-000
156	Ground Lugs	3	025-32835-000	2	025-32835-000	3	025-32835-000	2	025-32835-000
157	Inductor	1	025-40742-000	1	025-39677-000	1	025-40742-000	1	025-39677-000
166	SCR Trigger Board	1	031-02060-001	1	031-02060-001	1	031-02060-001	1	031-02060-001
167	Control Transformer 2T	1	025-40114-007	1	025-40114-001	1	025-40114-007	1	025-40114-001
169	Cooling Fan Ass'y	1	371-04179-513	1	371-04179-502	1	371-04179-513	1	371-04179-502
171	Eprom, Logic Board (U52)	1	031-02649-003	1	031-02649-001	1	031-02649-003	1	031-02649-001
172	VSD Power Assembly (See Page 42)	1	371-04181-104	1	371-04181-101	1	371-04181-104	1	371-04181-101
173	Fan Contactor	6	024-34916-000	6	024-34916-000	6	024-34916-000	6	024-34916-000
173A	Harness, Fan Contactor	1	571-04178-231	1	571-04178-231	1	571-04178-231	1	571-04178-231
175	Transformer, Current (Sys. 1) 300 : 0.1 Ratio	3	025-21173-010	3	025-21173-009	3	025-21173-010	3	025-21173-009
176	Transformer, Current (Sys. 2) 300 : 0.1 Ratio	3	025-21173-010	3	025-21173-009	3	025-21173-010	3	025-21173-009
177	Fuse Holder (3 Pole)	3	025-39952-000	3	025-39952-000	3	025-39952-000	3	025-39952-000
178	Fuse (1FU, 2FU, 3FU)	3	025-40786-000	3	025-39681-000	3	025-40786-000	3	025-39681-000
182	Fuse, 30A (7-9FU, 14-16FU)	6	025-39683-000	6	025-39683-000	6	025-39683-000	6	025-39683-000
183	Fuse, 10A (4FU, 5FU, 19FU)	3	031-35906-000	3	031-35905-000	3	031-35906-000	3	031-35905-000
190	VSD Logic Board*	1	031-02507-000	1	031-02507-000	1	031-02507-000	1	031-02507-000
190A	VSD Logic Board (Obsolete)*	1	031-02477-000	1	031-02477-000	1	031-02477-000	1	031-02477-000

* Note: Must order VSD Logic Board Kit (331-02507-601) when replacing Logic Board (Kit includes EPROMs and PWM Generator - 59 & 171).

Service Note:

Locate the PANEL NUMBER nameplate on the lower right hand outside corner of the power panel, then refer to the appropriate parts list for that number. Or, identify PIN number positions 16 and 17 on unit identification late (See example on Page 4) then compare to table above for power configuration options.

TABLE 8A (CONTINUED) – VARIABLE SPEED DRIVE COMPONENTS (SEE. FIGS. 6-6C, PAGES 27-30)

Item Number	Description	371-04178-723* -40		371-04178-129* -46		371-04178-727* -40		371-04178-141* -46	
		Qty	Part Number	Qty	Part Number	Qty	Part Number	Qty	Part Number
151	Single Point Terminal Block Kit	1	371-04460-006	1	371-04460-006	1	371-04460-006	1	371-04460-006
152	Single Point Circuit Breaker	-	N/A	-	N/A	-	N/A	-	N/A
152A	Operator Mechanism (Shaft and Handle)	-	N/A	-	N/A	-	N/A	-	N/A
155	E-Link Gateway Board	-	N/A	-	N/A	1	025-43893-000	1	025-43893-000
156	Ground Lugs	3	025-32835-000	3	025-32835-000	3	025-32835-000	3	025-32835-000
157	Inductor	1	025-40742-000	1	025-39677-000	1	025-40742-000	1	025-39677-000
166	SCR Trigger Board	1	031-02060-001	1	031-02060-001	1	031-02060-001	1	031-02060-001
167	Control Transformer 2T	1	025-40114-007	1	025-40114-001	1	025-40114-007	1	025-40114-001
169	Cooling Fan Ass'y	1	371-04179-513	1	371-04179-502	1	371-04179-513	1	371-04179-502
171	Eprom, Logic Board (U52)	1	031-02649-003	1	031-02649-001	1	031-02649-003	1	031-02649-001
172	VSD Power Assembly (See Page 42)	1	371-04181-104	1	371-04181-101	1	371-04181-104	1	371-04181-101
173	Fan Contactor	6	024-34916-000	6	024-34916-000	6	024-35905-000	6	024-35905-000
173A	Harness, Fan Contactor	1	571-04178-231	1	571-04178-231	1	571-04178-241	1	571-04178-241
175	Transformer, Current (Sys. 1) 300 : 0.1 Ratio	3	025-21173-010	3	025-21173-009	3	025-21173-010	3	025-21173-009
176	Transformer, Current (Sys. 2) 300 : 0.1 Ratio	3	025-21173-010	3	025-21173-009	3	025-21173-010	3	025-21173-009
177	Fuse Holder (3 Pole)	7	025-39952-000	7	025-39952-000	7	025-39952-000	7	025-39952-000
178	Fuse (1FU, 2FU, 3FU)	3	025-40786-000	3	025-40763-000	3	025-40786-000	3	025-40763-000
182	Fuse, 30A (7-9FU, 14-16FU)	18	025-39683-000	18	025-39683-000	18	025-39683-000	18	025-39683-000
183	Fuse, 10A (4FU, 5FU, 19FU)	3	031-35906-000	3	031-35905-000	3	031-35906-000	3	031-35905-000
190	VSD Logic Board*	1	031-02507-000	1	031-02507-000	1	031-02507-000	1	031-02507-000
190A	VSD Logic Board (Obsolete)*	1	031-02477-000	1	031-02477-000	1	031-02477-000	1	031-02477-000

* **Note:** Must order VSD Logic Board Kit (331-02507-601) when replacing Logic Board (Kit includes EPROMs and PWM Generator - 59 & 171).

Service Note:

Locate the PANEL NUMBER nameplate on the lower right hand outside corner of the power panel, then refer to the appropriate parts list for that number. Or, identify PIN number positions 16 and 17 on unit identification late (See example on Page 4) then compare to table above for power configuration options.

TABLE 8A (CONTINUED) – VARIABLE SPEED DRIVE COMPONENTS (SEE. FIGS. 6-6C, PAGES 27-30)

Item Number	Description	371-04178-725* -40		371-04178-135* -46		371-04178-729* -40		371-04178-147* -46	
		Qty	Part Number	Qty	Part Number	Qty	Part Number	Qty	Part Number
151	Single Point Terminal Block Kit	-	N/A	-	N/A	-	N/A	-	N/A
152	Single Point Circuit Breaker	1	224-34966-001	1	224-34966-001	1	224-34966-001	1	224-34966-001
152A	Operator Mechanism (Shaft and Handle)	1	024-34922-000	1	024-34922-000	1	024-34922-000	1	024-34922-000
155	E-Link Gateway Board	-	N/A	-	N/A	1	025-43893-000	1	025-43893-000
156	Ground Lugs	3	025-32835-000	3	025-32835-000	3	025-32835-000	3	025-32835-000
157	Inductor	1	025-40742-000	1	025-39677-000	1	025-40742-000	1	025-39677-000
166	SCR Trigger Board	1	031-02060-001	1	031-02060-001	1	031-02060-001	1	031-02060-001
167	Control Transformer 2T	1	025-40114-007	1	025-40114-001	1	025-40114-007	1	025-40114-001
169	Cooling Fan Ass'y	1	371-04179-513	1	371-04179-502	1	371-04179-513	1	371-04179-502
171	Eprom, Logic Board (U52)	1	031-02649-003	1	031-02649-001	1	031-02649-003	1	031-02649-001
172	VSD Power Assembly (See Page 42)	1	371-04181-104	1	371-04181-101	1	371-04181-104	1	371-04181-101
173	Fan Contactor	6	024-35905-000	6	024-35905-000	6	024-35905-000	6	024-35905-000
173A	Harness, Fan Contactor	1	571-04178-241	1	571-04178-241	1	571-04178-241	1	571-04178-241
175	Transformer, Current (Sys. 1) 300 : 0.1 Ratio	3	025-21173-010	3	025-21173-009	3	025-21173-010	3	025-21173-009
176	Transformer, Current (Sys. 2) 300 : 0.1 Ratio	3	025-21173-010	3	025-21173-009	3	025-21173-010	3	025-21173-009
177	Fuse Holder (3 Pole)	7	025-39952-000	7	025-39952-000	7	025-39952-000	7	025-39952-000
178	Fuse (1FU, 2FU, 3FU)	3	025-40786-000	3	025-40763-000	3	025-40786-000	3	025-40763-000
182	Fuse, 30A (7-9FU, 14-16FU)	18	025-39683-000	18	025-39683-000	18	025-39683-000	18	025-39683-000
183	Fuse, 10A (4FU, 5FU, 19FU)	3	031-35906-000	3	031-35905-000	3	031-35906-000	3	031-35905-000
190	VSD Logic Board*	1	031-02507-000	1	031-02507-000	1	031-02507-000	1	031-02507-000
190A	VSD Logic Board (Obsolete)*	1	031-02477-000	1	031-02477-000	1	031-02477-000	1	031-02477-000

* Note: Must order VSD Logic Board Kit (331-02507-601) when replacing Logic Board (Kit includes EPROMs and PWM Generator - 59 & 171).

Service Note:

Locate the PANEL NUMBER nameplate on the lower right hand outside corner of the power panel, then refer to the appropriate parts list for that number. Or, identify PIN number positions 16 and 17 on unit identification late (See example on Page 4) then compare to table above for power configuration options.

SECTION 6 - CABLE PART NUMBERS

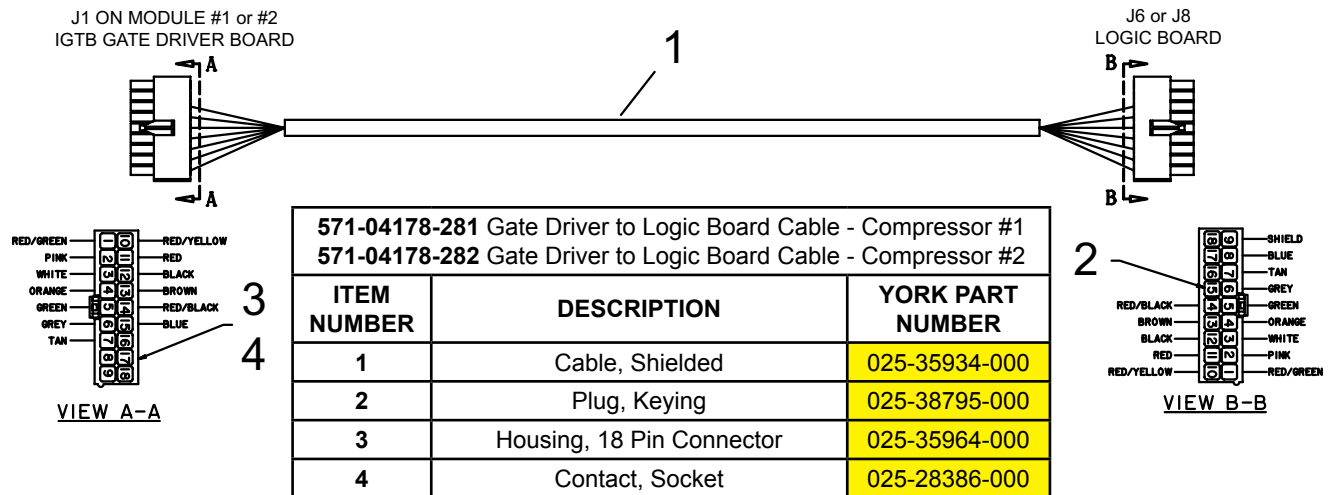
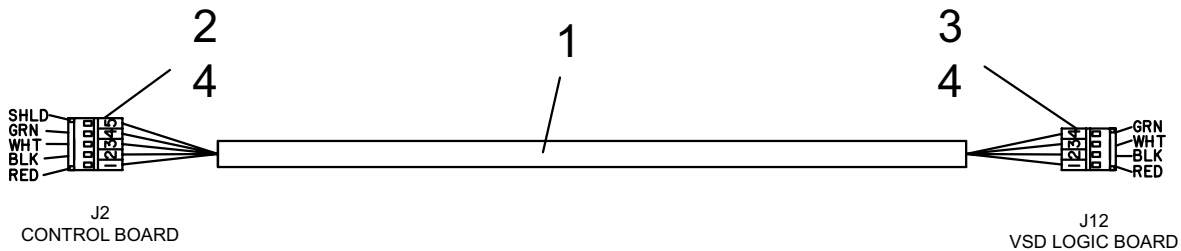
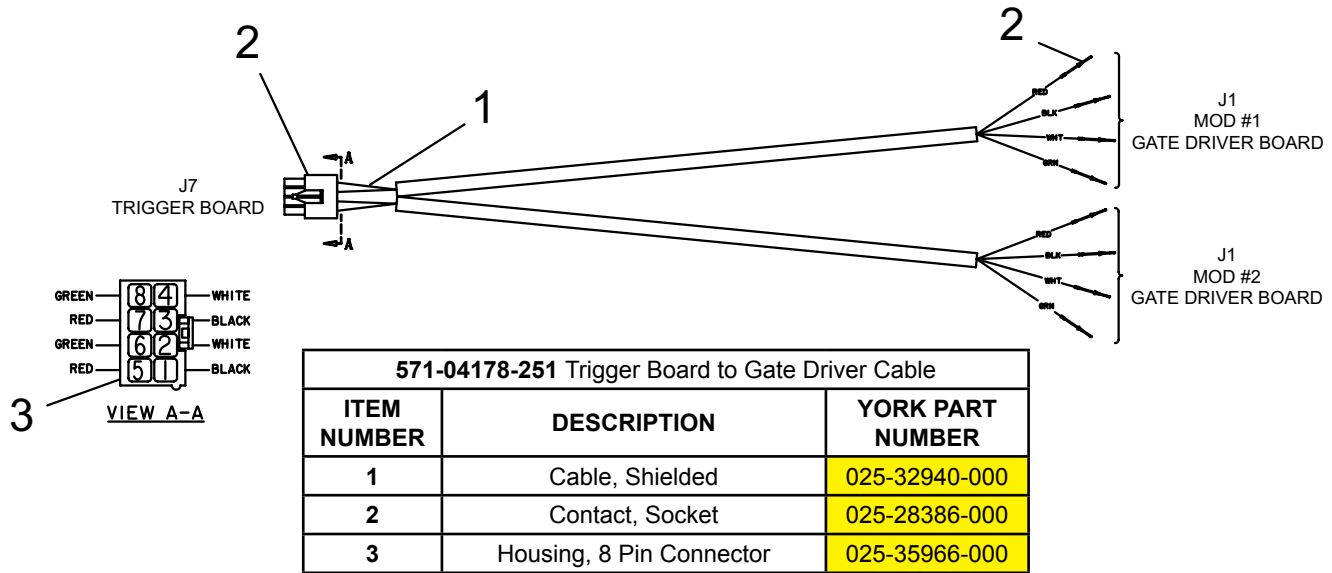


FIG. 6D – CABLE PART NUMBERS

This page intentionally left blank

SECTION 6 - VARIABLE SPEED DRIVE POWER ASSEMBLY COMPONENTS (REFER TO PART NUMBER 172 ON TABLE 8A, PAGES 32-39)

*Note: For complete VSD Power Assembly Replacement Kit use 371-04181-401 or 371-04181-404. VSD Power Assembly Replacement Kit includes all necessary items including Glycol.

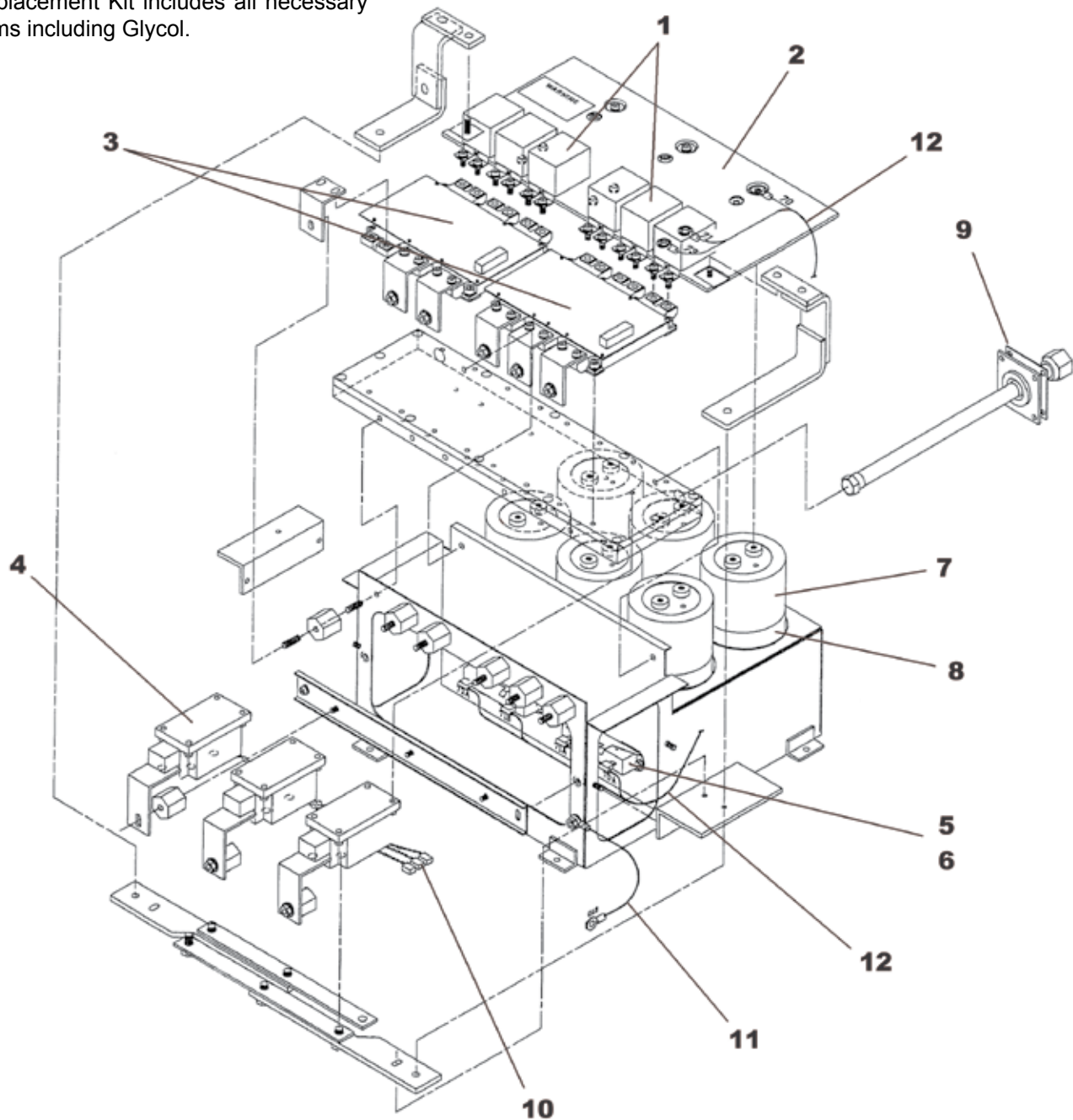


FIG. 7 – VARIABLE SPEED DRIVE POWER ASSEMBLY COMPONENTS - 371-04181-101 OR 371-04181-104 (REF. TABLE 9, PAGE 43)

TABLE 9 – VARIABLE SPEED DRIVE POWER ASSEMBLY COMPONENTS
(SEE FIG. 7, PAGE 42)

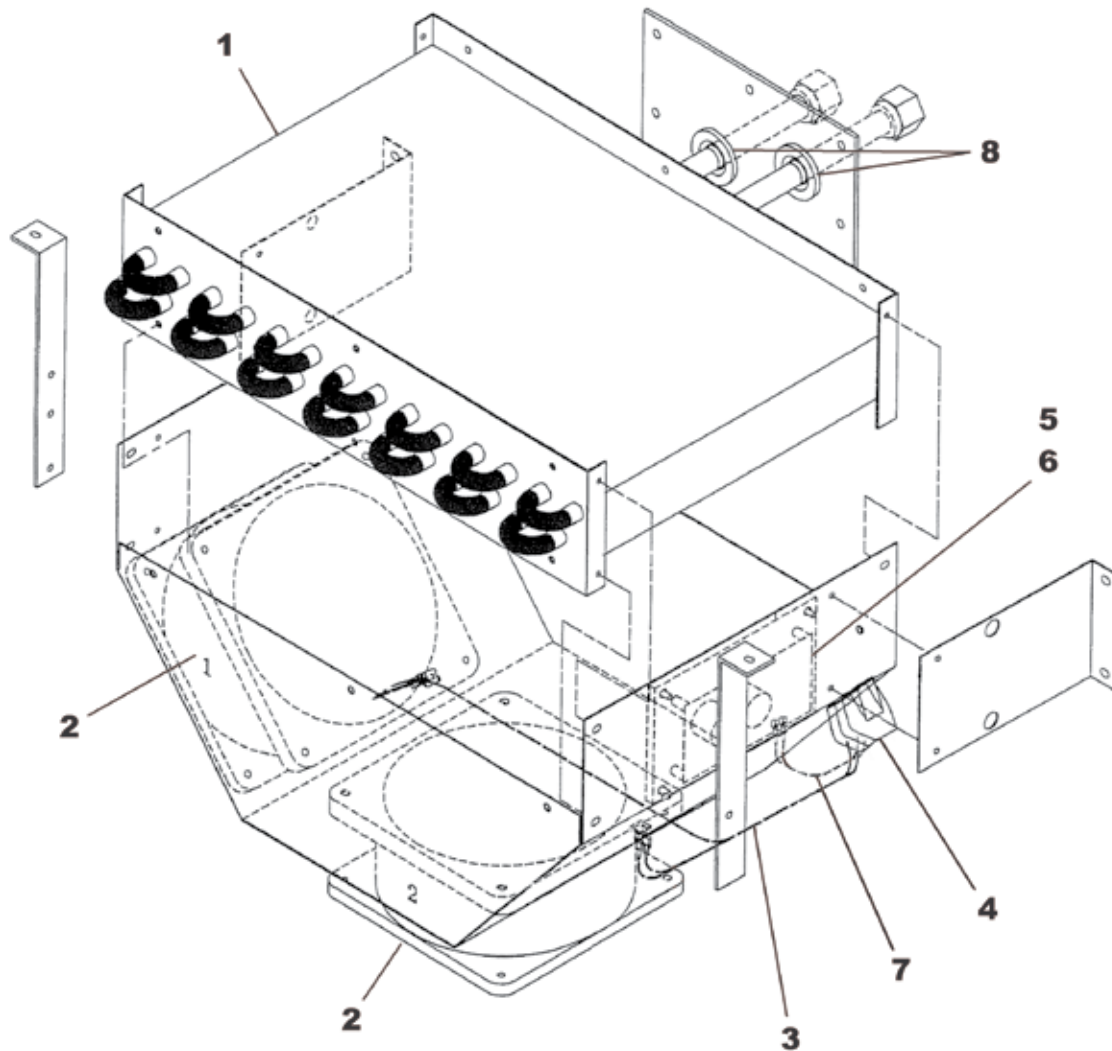
ITEM NUMBER	QUANTITY PER UNIT	DESCRIPTION	YORK PART NUMBER
1	6	CAPACITOR (IGBT SNUBBER)	025-35972-000
2	1	BUSS PLATE KIT	371-04477-001
3	2	IGBT ASSEMBLY REPLACEMENT KIT* (Used on VSD Power Assembly 371-04181-101**)	371-04479-001
		IGBT ASSEMBLY REPLACEMENT KIT* (Used on VSD Power Assembly 371-04181-104**)	371-04479-002
4	3	SCR/DIODE MODULE REPLACEMENT KIT (Used on VSD Power Assembly 371-04181-101**)	371-04478-001
		SCR/DIODE MODULE REPLACEMENT KIT (Used on VSD Power Assembly 371-04181-104**)	371-04478-002
5	2	RESISTOR	025-35157-000
6	2	THERMAL PAD	028-15299-000
7	6	CAPACITOR (BUSS)	025-39573-000
8	6	INSULATOR, CAPACITOR	071-02769-319
9	2	GASKET	028-15113-000
10	1	HARNESS, SCR TO TRIGGER BD.	571-04181-221
11	1	HARNESS, GROUND	571-04181-242
12	1	HARNESS, EQUALIZER	571-04181-241

*Note: Includes IGBT Gate Driver and IGBT Module as an assembly. DO NOT attempt to replace the IGBT Gate Driver Board or the IGBT Module individually.

**Note: To identify the correct IGBT ASSEMBLY REPLACEMENT KIT or SCR/DIODE MODULE REPLACEMENT KIT needed, first refer to the VSD/Control Panel Identifiers instructions on Page 25 or 26. Once the VSD/Control Panel number is identified proceed to the correct column on Table 8A, Pages 32-39 and see part number 172 to determine the correct VSD Power Assembly used.

SECTION 6 - VARIABLE SPEED DRIVE FAN ASSEMBLY COMPONENTS

FIG. 8 – VARIABLE SPEED DRIVE FAN ASSEMBLY COMPONENTS (REF. TABLE 10)



04179-5a

TABLE 10 – VARIABLE SPEED DRIVE FAN ASSEMBLY COMPONENTS (SEE FIG. 8)

ITEM NUMBER	QUANTITY PER UNIT	DESCRIPTION	YORK PART NUMBER
1	1	COIL, GLYCOL COOLING	026-41590-000
2	2	FAN, COOLING 115V - 330CFM	025-40105-000
3	1	HARNESS, FAN ASSEMBLY	571-04179-244
4	2	TERMINAL BLOCK	025-20944-000
5	1	INVERTER (50HZ ONLY)	031-02533-000
6	AR	COMPOUND, HEAT CONDUCTIVE (USE WITH ITEM #5)	013-02997-000
7	1	HARNESS, INVERTER (50HZ ONLY)	571-04179-243
8	2	GROMMET	028-04873-000

SECTION 6 - PLUG / JUMPER ARRANGEMENT

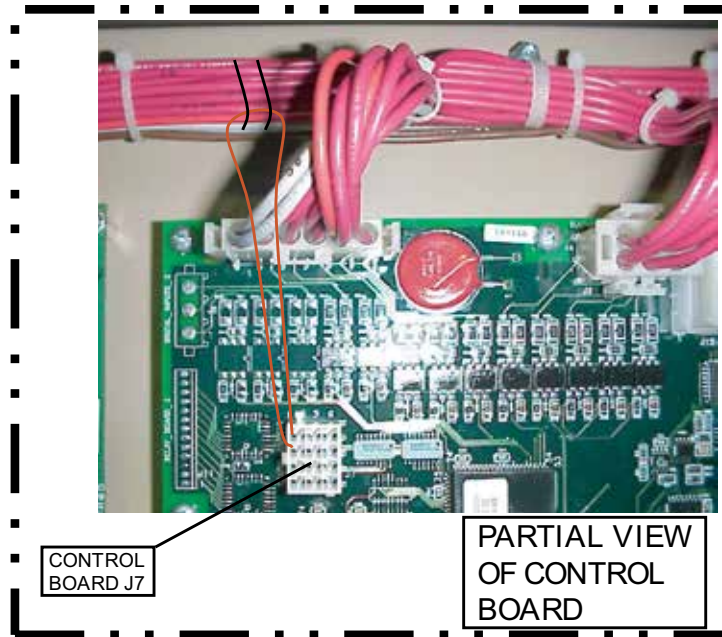


FIG. 9 – PLUG / JUMPER ARRANGEMENT (REF. TABLE 11)

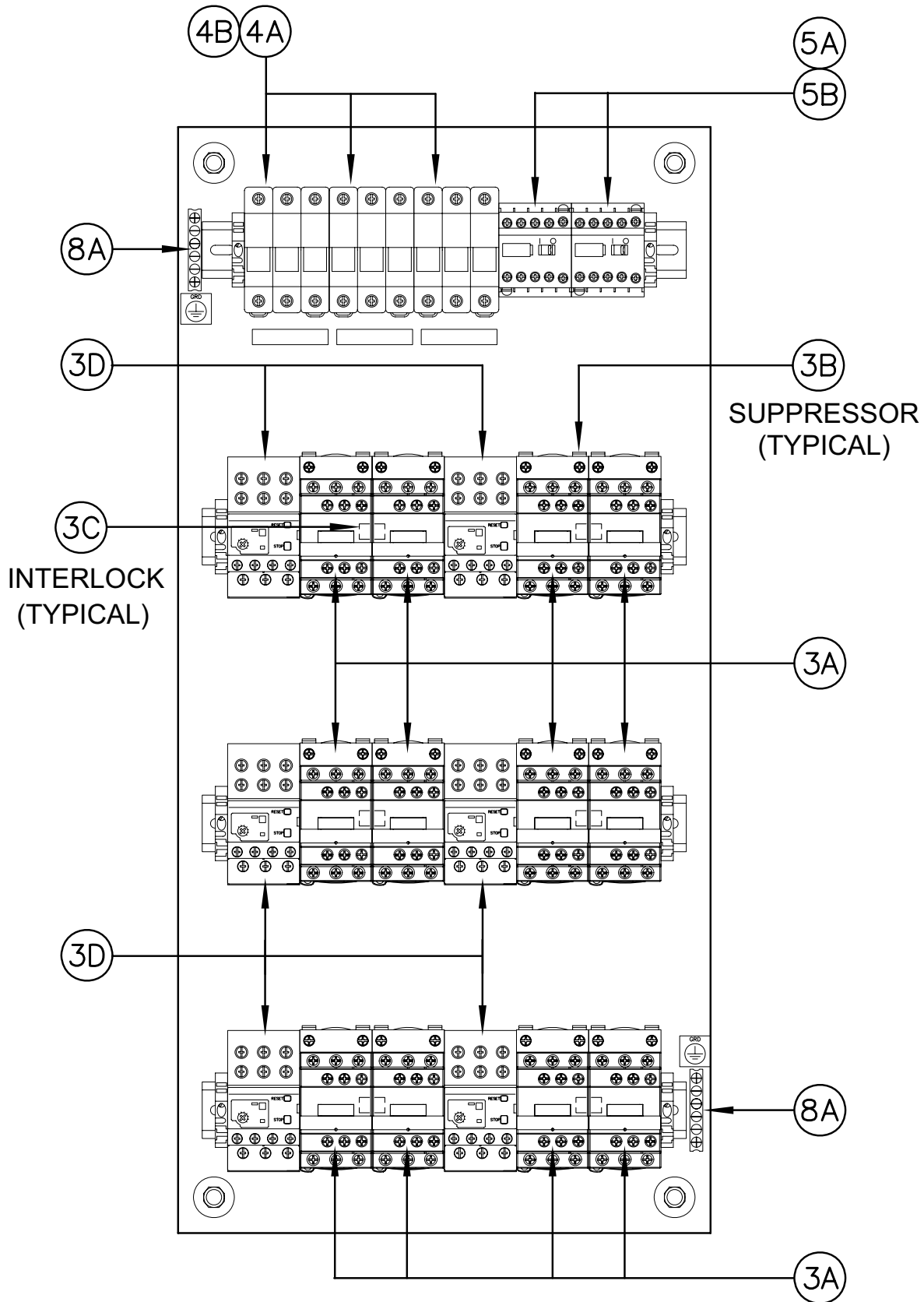
TABLE 11 – PLUG / JUMPER ARRANGEMENT (SEE FIG. 9)

PLUG / JUMPER ARRANGEMENT			
PLUG P/N	JUMPER DETAIL	MODELS 60HZ	MAX VSD FREQUENCY
371-04484-101		YCIV0177SA/PA YCIV0197EA/VA YCIV0269EA/VA	182
371-04484-102		YCIV0157EA/VA YCIV0207SA/PA	186
371-04484-103		YCIV0187EA/VA YCIV0207EA/VA	192
371-04484-104		YCIV0157SA/PA YCIV0177EA/VA YCIV0187SA/PA YCIV0177SA/PA YCIV0227EA/VA YCIV0247SA/PA YCIV0247EA/VA YCIV0267SA/PA	200

04484-0a

6

SECTION 6 - TWO SPEED FAN CONTACTOR PANEL



209201-B

FIG. 10 – TWO SPEED FAN CONTACTOR PANEL COMPONENTS
(REF. TABLE 12, PAGE 47)

TABLE 12 – TWO SPEED FAN CONTACTOR PANEL COMPONENTS
(SEE FIG. 10, PAGE 46)

TWO SPEED FAN CONTACTOR PANEL COMPONENTS		
ITEM #	DESCRIPTION	PART NUMBER
3A	CONTACTOR, 3 POLE 9A	024-34302-000
3B	SURGE SUPPRESSOR	031-02104-000
3C	MECHANICAL INTERLOCK	024-34311-000
3D	OVERLOAD RELAY	024-35955-000
4A	FUSE BLOCK	025-39429-000
4B	FUSE	025-39430-000
5A	CONTROL RELAY	024-31635-000
5B	AUXILLIARY CONTACT BLOCK	025-35694-000
8A	GROUND BAR	025-35685-000

SECTION 7 - SENSOR HARNESSSES

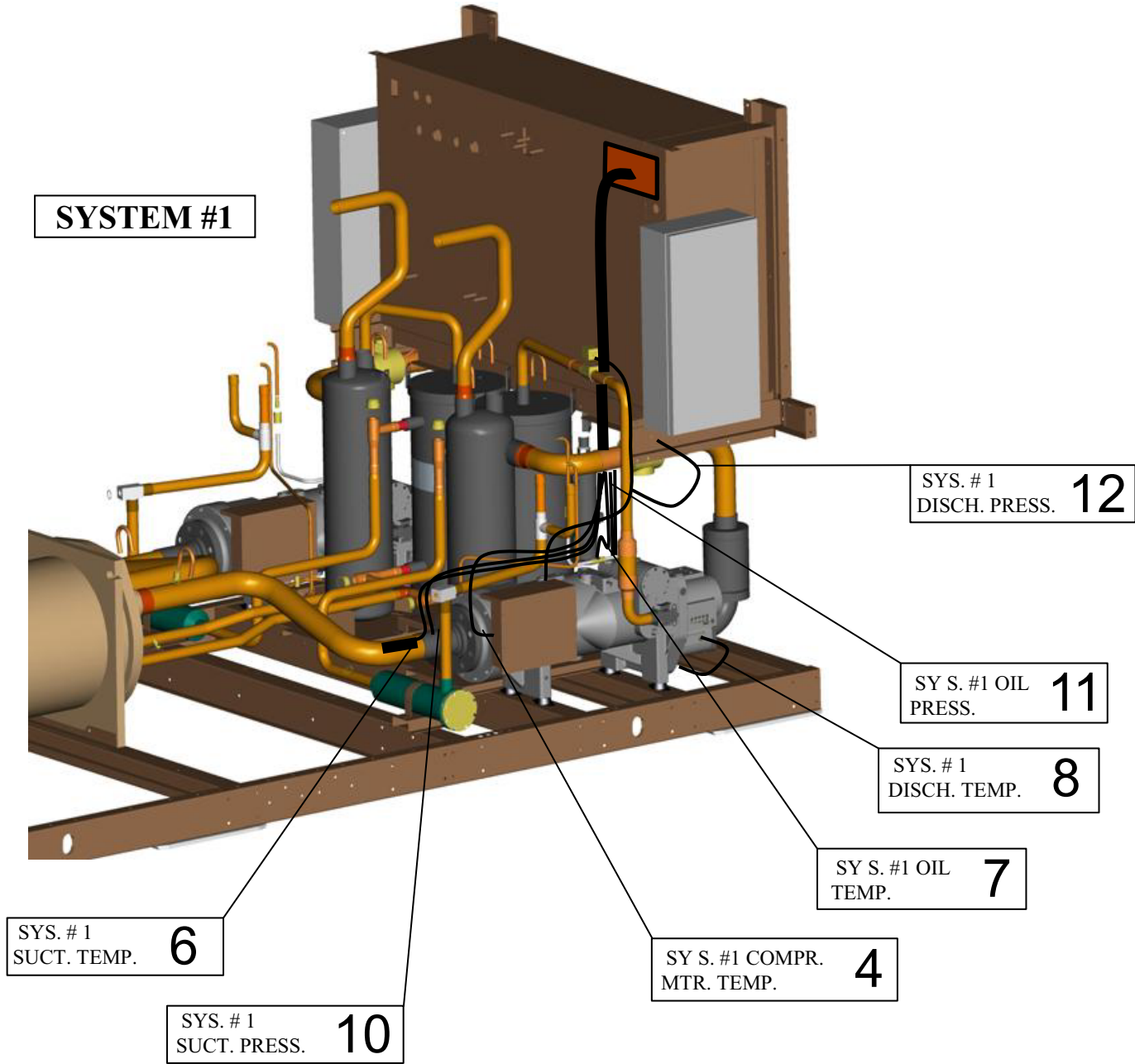
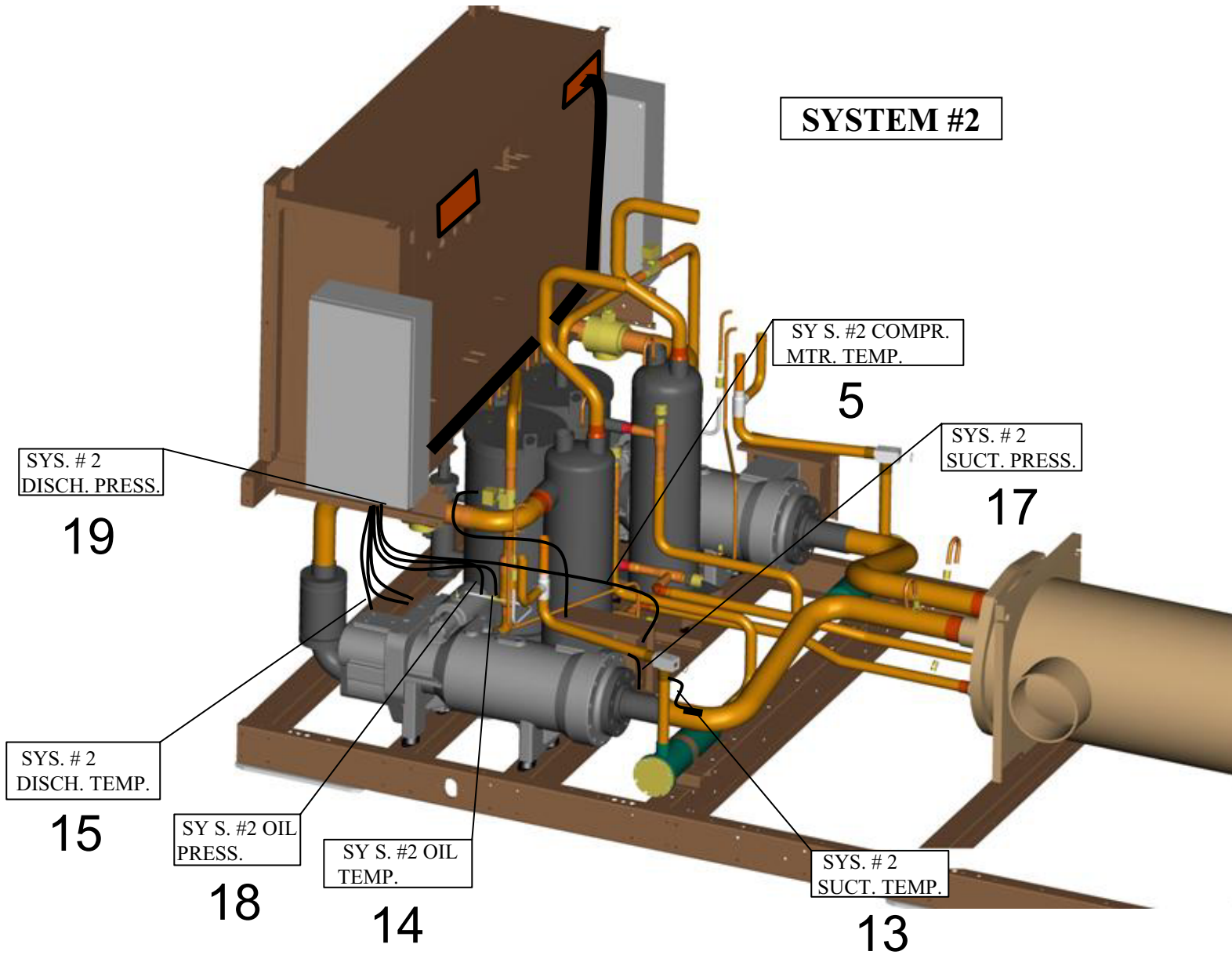


FIG. 11 – HARNESS LAYOUT (REF. TABLE 13, PAGES 52, 53 AND 54)



66894-000-9a

49 **FIG. 11A – HARNESS LAYOUT (REF. TABLE 13, PAGES 52, 53 AND 54)**

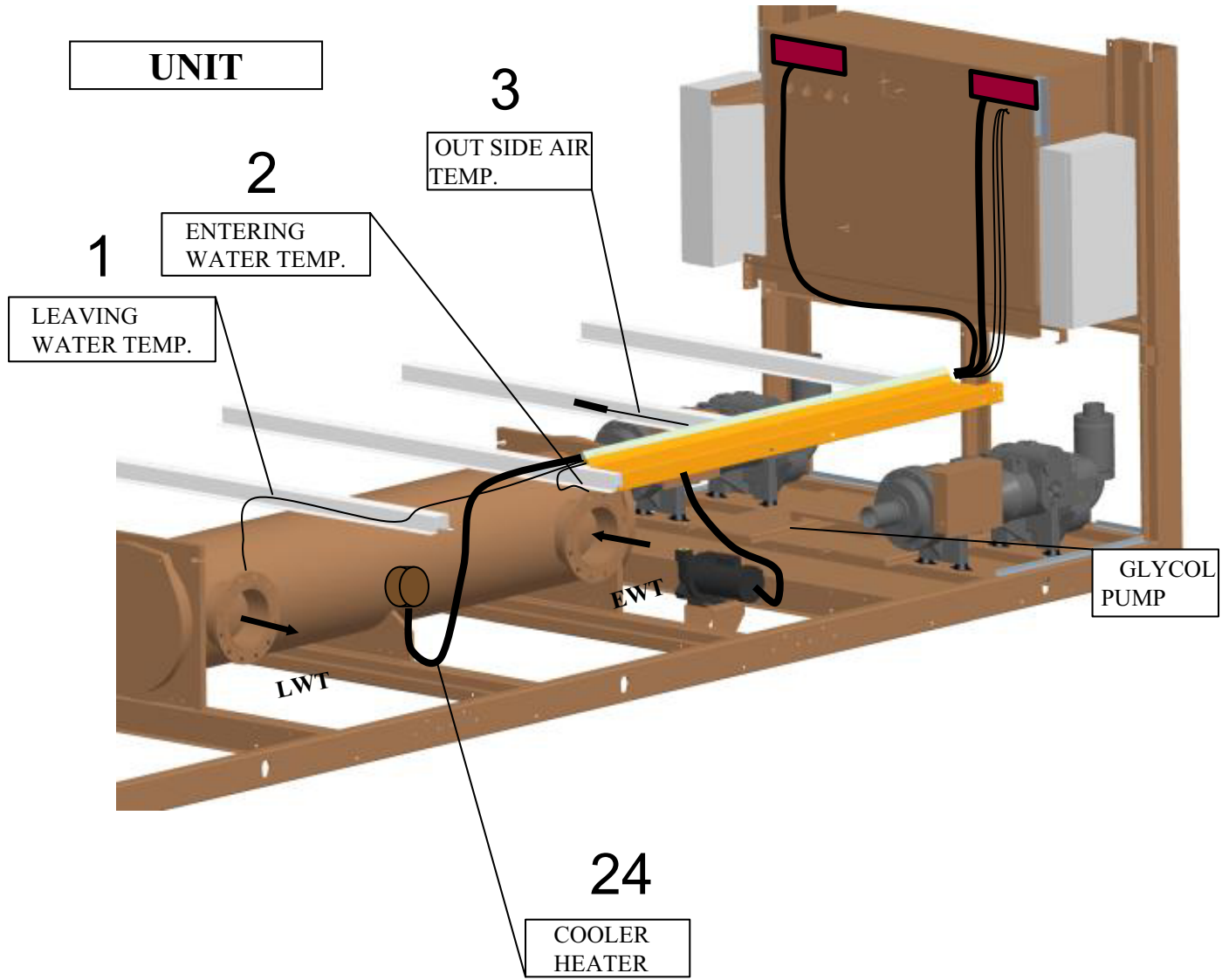


FIG. 11B – HARNESS LAYOUT (REF. TABLE 13, PAGES 52, 53 AND 54)

66894-000-3a

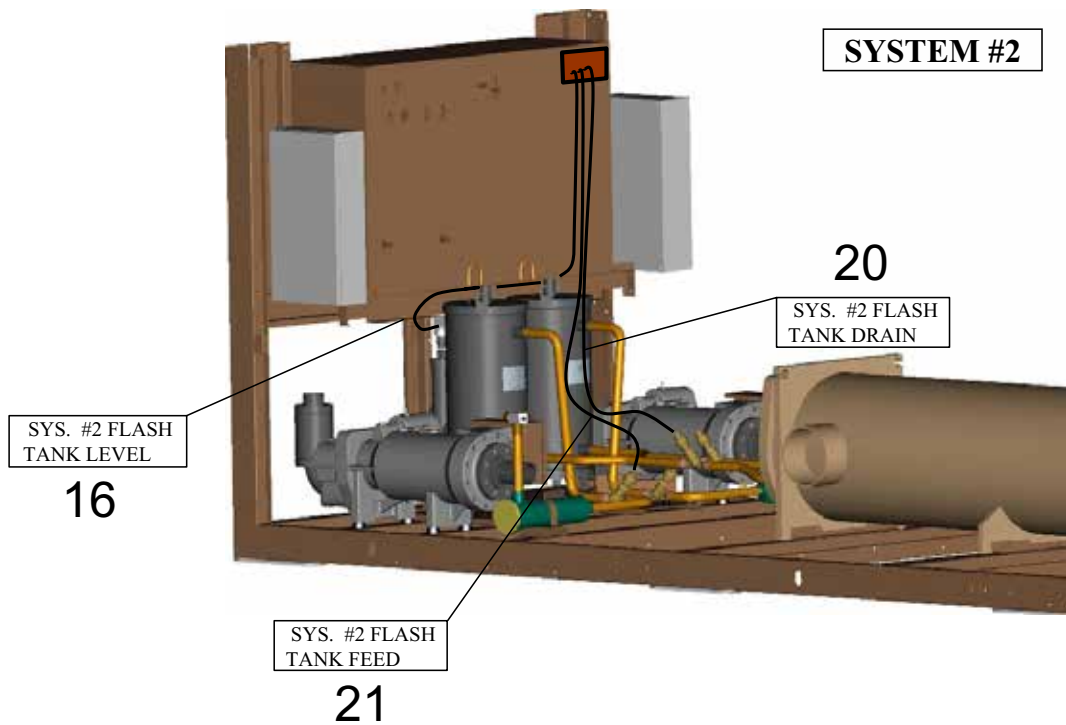
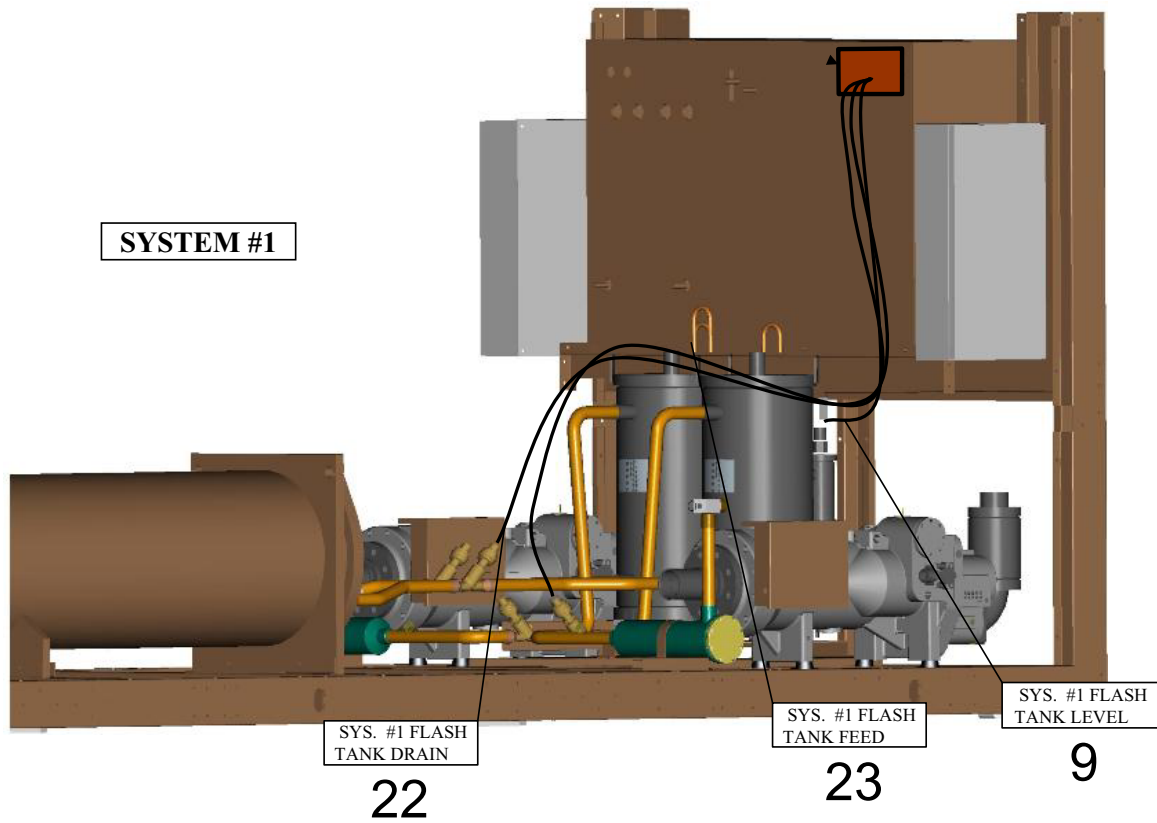


FIG. 11C – HARNESS LAYOUT (REF. TABLE 13, PAGES 52, 53 AND 54)

TABLE 13 – SENSOR HARNESS WIRING (SEE FIGS. 11, 11A, 11B AND 11C, PAGES 48, 49, 50 AND 51)




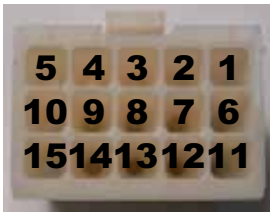



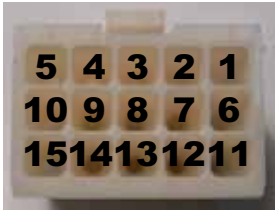

SYSTEM #1 SENSOR WIRING										
Plug Detail	Plug and Pin P/N	Plug "P" No.	Plug Pin No.	Wire Color	Cable #	Function	Harness Assembly Part Number			
	Plug = 025-28383-000 Pin = 025-28386-000	P26	1	Green	4	System #1 Compressor Motor Temperature	575-54455-317			
			2	Red						
			3	Black						
			4	White						
			5	Drain	9	System #1 Flash Tank Level		575-54455-315		
			6	White						
			7	Red						
			8	Black						
			9	Drain						
	Plug = 025-29185-000 Pin = 025-28386-000	P27	1	Black	6	System #1 Suction Temperature	575-54455-308			
			2	Red						
			3	Drain						
	Plug = 025-28384-000 Pin = 025-28386-000	P28	1	Black	8	System #1 Discharge Temperature	575-54455-310			
			2	Red						
			3	Drain						
			5	Green	22	System #1 Flash Tank Drain		575-54455-319		
			6	Red						
			7	Black						
			8	White	23	System #1 Flash Tank Feed			575-54455-320	
			9	Green						
			10	Red						
			11	Black						
			12	White						
				Plug = 025-28385-000 Pin = 025-28386-000	P29	1				White
2	Red									
3	Black									
4	Drain									
6	White	11				System #1 Oil Pressure	575-54455-304			
7	Red									
8	Black									
9	Drain	12				System #1 Discharge Pressure		575-54455-306		
11	White									
12	Red									
13	Black									
14	Drain									
5	Black	7				System #1 Oil Temperature			575-54455-300	
10	Red									
15	Drain									


TABLE 13 (CONTINUED) – SENSOR HARNESS WIRING (SEE FIGS. 11, 11A, 11B AND 11C, PAGES 48, 49, 50 AND 51)

SYSTEM #2 SENSOR WIRING							
Plug Detail	Plug and Pin P/N	Plug "P" No.	Plug Pin No.	Wire Color	Cable #	Function	Harness Assembly Part Number
	Plug = 025-28383-001 Pin = 025-28386-000	P30	1	Green	5	System #2 Compressor Motor Temperature	575-54455-318
			2	Red			
			3	Black			
			4	White			
			5	Drain			
			6	White	16	System #2 Flash Tank Level	
			7	Red			
			8	Black			
			9	Drain			
	Plug = 025-29185-001 Pin = 025-28386-000	P31	1	Black	13	System #2 Suction Temperature	575-54455-309
			2	Red			
			3	Drain			
	Plug = 025-28384-001 Pin = 025-28386-000	P32	1	Black	15	System #2 Discharge Temperature	575-54455-311
			2	Red			
			3	Drain			
			5	Green	20	System #2 Flash Tank Drain	
			6	Red			
			7	Black			
			8	White			
			9	Green	21	System #2 Flash Tank Feed	
			10	Red			
			11	Black			
			12	White			
				Plug = 025-28385-001 Pin = 025-28386-000	P33	1	
2	Red						
3	Black						
4	Drain						
6	White	18				System #2 Oil Pressure	
7	Red						
8	Black						
9	Drain						
11	White	19				System #2 Discharge Pressure	
12	Red						
13	Black						
14	Drain						
5	Black	14				System #2 Oil Temperature	
10	Red						
15	Drain						

7

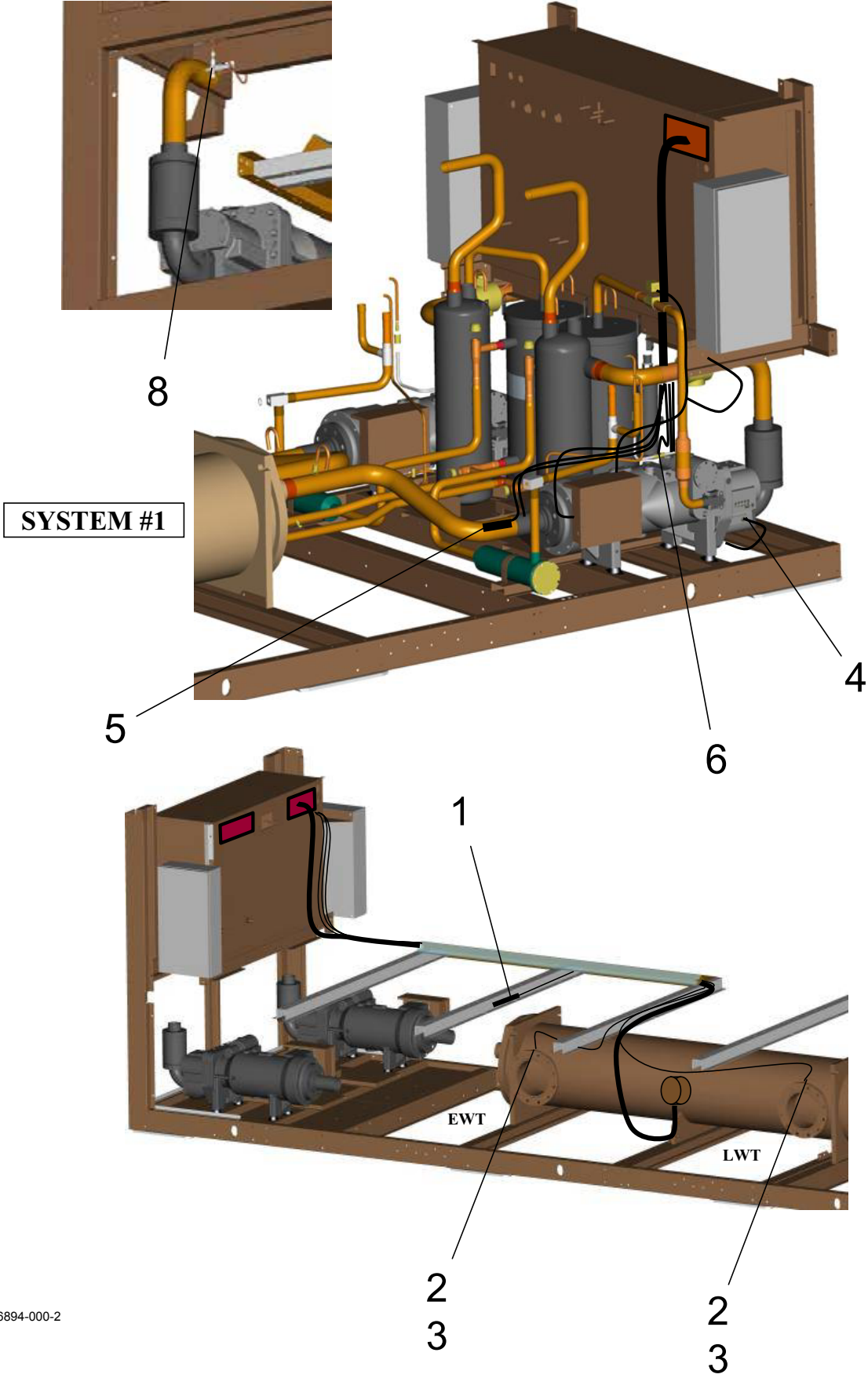
TABLE 13 (CONTINUED) – SENSOR HARNESS WIRING (SEE FIGS. 11, 11A, 11B AND 11C, PAGES 48, 49, 50 AND 51)

UNIT SENSOR WIRING										
Plug Detail	Plug and Pin P/N	Plug "P" No.	Plug Pin No.	Wire Color	Cable #	Function	Harness Assembly Part Number			
	Plug = 025-21192-000 Pin = 025-19673-000	P25	1	Black	1	Leaving Water Temperature	575-54455-312			
			2	Red						
			3	Drain						
						4	Black	2	Entering Water Temperature	575-54455-313
						5	Red			
						6	Drain			
						7	Black	3	Outside Air Temperature	575-54455-314
						8	Red			
						9	Drain			

UNIT CONTROL WIRING							
Plug Detail	Plug and Pin P/N	Plug "P" No.	Plug Pin No.	Wire Number	Cable #	Function	Harness Assembly Part Number
	Plug = 025-19671-000 Pin = 025-20919-000	P36	1	2	24	Cooler Heater	575-54455-204
			2	29			
			3	Ground			

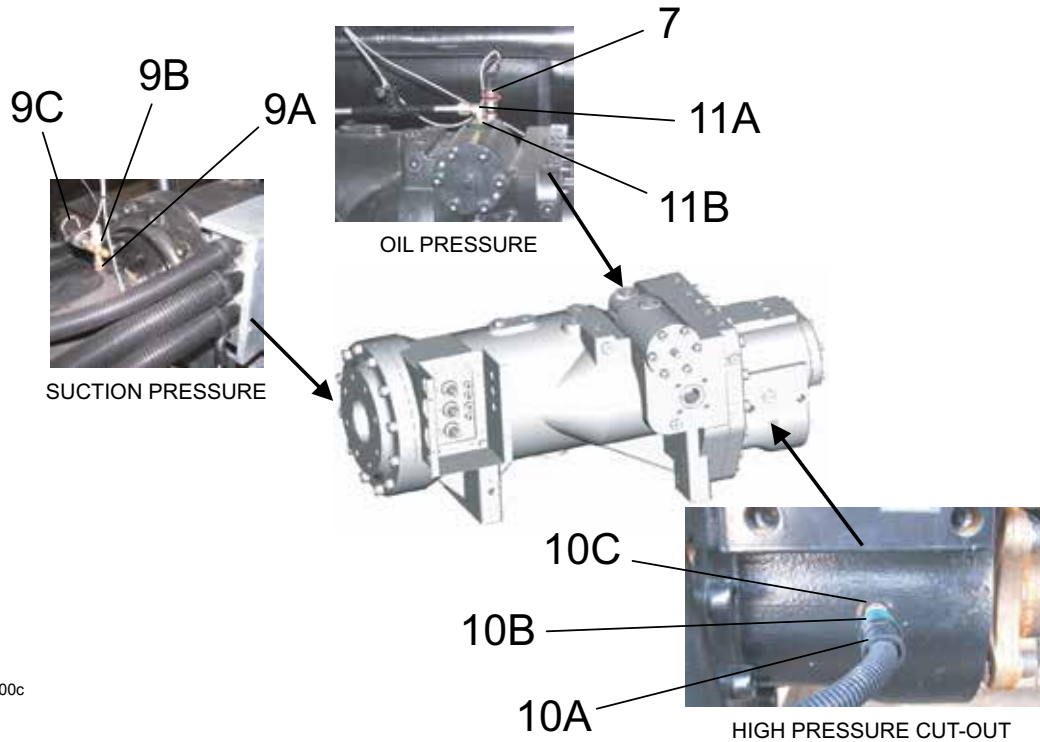
SECTION 7 - TRANSDUCERS AND TEMP SENSORS

66894-000-7



66894-000-2

FIG. 12 – TRANSDUCERS AND TEMP SENSORS (REF. TABLE 14, PAGE 56)



55658-000c

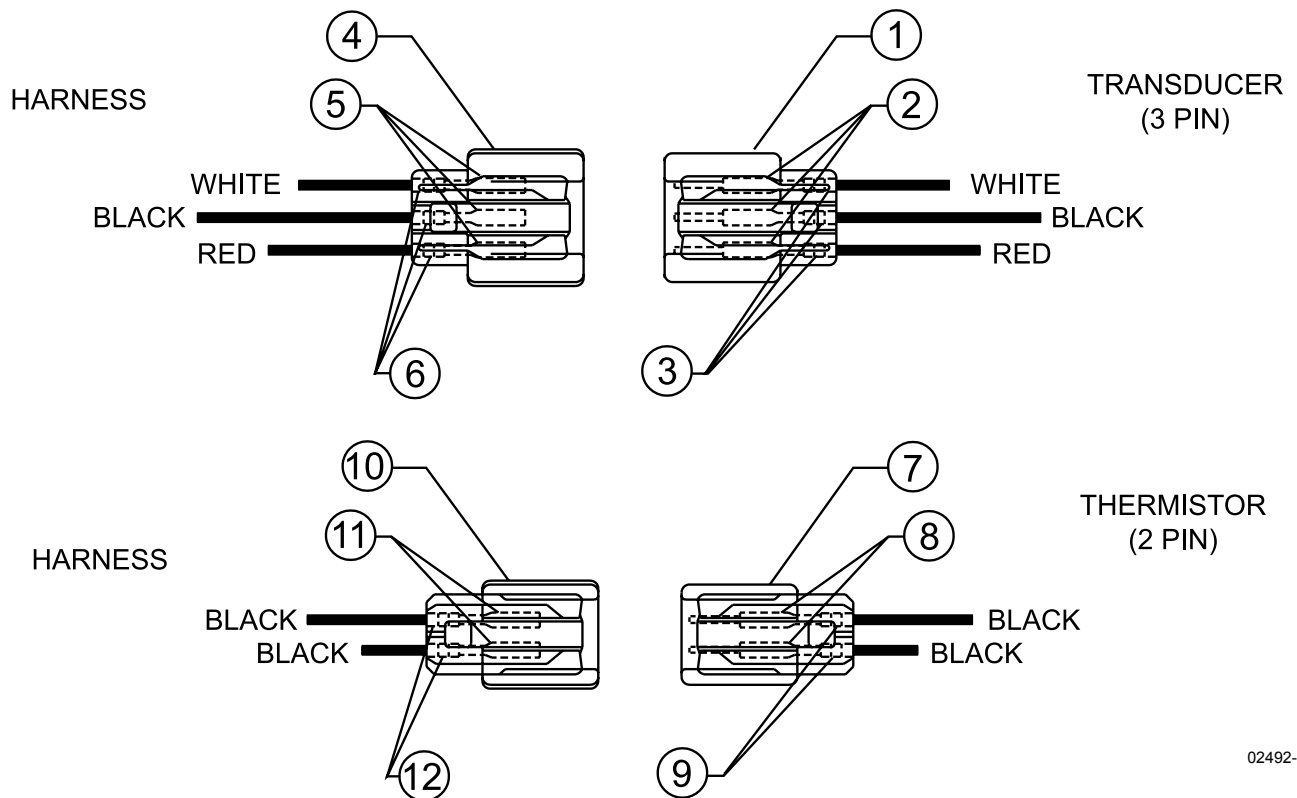
FIG. 12A – TRANSDUCERS AND HIGH PRESSURE CUT-OUT (REF. TABLE 14, PAGE 56)

TABLE 14 – TRANSDUCERS, TEMP SENSORS AND HIGH PRESSURE CUT-OUT SWITCH (SEE FIGS. 12 AND 12A, PAGES 55 AND 56)

Item #	Quantity	Description	Volt-age Code	Part Number
1 ^S	1	Sensor, Outside Air Temperature	All	025-28663-001
2 ^S	2	Sensor, Water Temp. (EWT, LWT)	All	025-40334-000
3	-	Compound, Heat Conductive	All	013-00898-000
4 ^S	2 per system	Sensor, Discharge Temperature	All	025-32924-000
5 ^S	2 per system	Sensor, Suction Temperature	All	025-28935-000
6 ^S	2 per system	Sensor, Oil Temperature	All	025-30440-000
7 ^S	1 per system	Transducer, Oil Pressure (0-275psi)	All	025-29139-003
8 ^S	1 per system	Transducer, Discharge Pressure (0-275psi)	All	025-29139-003
9A ^S	1 per system	Adapter, 3/4"-16M x 1/4 NPTF	All	023-18225-000
9B ^S		Valve, Transducer w/ 1/4" Flange	All	022-09503-000
9C ^S		Transducer, Suction Pressure (0-125psi)	All	025-29583-001
10A	1 per system	Connector, 7/16"-20M	All	023-18087-000
10B		High Pressure Cut Out Switch	All	025-39956-000
10C		O-Ring (Use with ITEM 10A)	All	028-13540-000
11A	1 per system	Elbow, 90° Oil Inlet	All	023-18945-000
11B		O-Ring (Use with ITEM 11A)	All	028-12961-004

^S Recommended Spare Part

SECTION 7 - TRANSDUCER AND THERMISTOR WIRE HARNESS CONNECTORS – FIELD REPLACEMENT PART NUMBERS



7

02492-2b

FIG. 13 – TRANSDUCER AND THERMISTOR WIRE HARNESS CONNECTORS - FIELD REPLACEMENT PART NUMBERS (REF. TABLE 15)

TABLE 15 – TRANSDUCER AND THERMISTOR WIRE HARNESS CONNECTORS - FIELD REPLACEMENT PART NUMBERS (SEE FIG. 13)

Item No.	Location	Description	Pins	Part Number
1	Transducer	Plug Connector	3 Pin End	025-28953-000
2		Contact Pins		025-28949-000
3		Rubber Collar		025-28950-000
4	Wire Harness	Plug Connector	3 Pin End	025-28954-000
5		Contact Pins		025-28952-000
6		Rubber Collar		025-28950-000
7	Temperature Sensor	Plug Connector	2 Pin End	025-28948-000
8		Contact Pins		025-28949-000
9		Rubber Collar		025-28950-000
10	Wire Harness	Plug Connector	2 Pin End	025-28951-000
11		Contact Pins		025-28952-000
12		Rubber Collar		025-28950-000

^s Recommended Spare Part

SECTION 8 - VIBRATION ISOLATORS

TABLE 16 – VIBRATION ISOLATORS PART NUMBERS

ONE INCH DEFLECTION SPRING ISOLATOR CROSS REFERENCE				
FOR UNITS WITH ALL POINT LOADS LESS THAN 1404 LBS. (637 KG.)				
WEIGHT RANGE (lbs.)	WEIGHT RANGE (kg.)	VENDOR PART NUMBER	COLOR	YORK PART NUMBER
239 to 384 lbs.	108 to 174 kg.	CIP-B-450	RED	029-24583-002
384 to 639 lbs.	174 to 290 kg.	CIP-B-750	WHITE	029-24583-003
639 to 851 lbs.	290 to 386 kg.	CIP-B-1000	BLUE	029-24583-004
851 to 1064 lbs.	386 to 483 kg.	CIP-B-1250	GRAY	029-24583-005
1064 to 1404 lbs.	483 to 637 kg.	CIP-B-1650	BLACK	029-24583-006
FOR UNITS WITH ANY POINT LOAD ABOVE 1404 LBS. (637 KG.)				
WEIGHT RANGE (lbs.)	WEIGHT RANGE (kg.)	VENDOR PART NUMBER	COLOR	YORK PART NUMBER
Up to 851 lbs.	Up to 386 kg.	CIP-B-1000	BLACK	029-24583-007
851 to 1149 lbs.	386 to 521 kg.	CIP-B-1350	YELLOW	029-24583-008
1149 to 1489 lbs.	521 to 675 kg.	CIP-B-1750	BLACK	029-24583-009
1489 to 1786 lbs.	675 to 910 kg.	CIP-B-2100	YELLOW W/ RED	029-24583-010
1786 to 2028 lbs.	910 to 920 kg.	CIP-B-2385	YELLOW W/ GREEN	029-24583-011
2028 to 2254 lbs.	920 to 1022 kg.	CIP-B-2650	RED W/ RED	029-24583-012
2254 to 2936 lbs.	1022 to 1332 kg.	CIP-B-2935	RED W/ GREEN	029-24583-013

NEOPRENE ISOLATOR CROSS REFERENCE				
WEIGHT RANGE (lbs.)	WEIGHT RANGE (kg.)	VENDOR PART NUMBER	COLOR	YORK PART NUMBER
Up to 751 lbs.	Up to 341 kg.	ND-C	YELLOW	029-24584-001
751 to 1651 lbs.	341 to 749 kg.	ND-D	YELLOW	029-24584-002
1651 to 3226 lbs.	749 to 1463 kg.	ND-DS	YELLOW	029-24584-004

TWO INCH DEFLECTION, SEISMIC SPRING ISOLATOR CROSS REFERENCE				
WEIGHT RANGE (lbs.)	WEIGHT RANGE (kg.)	VENDOR PART NUMBER	COLOR	YORK PART NUMBER
Up to 358 lbs.	Up to 162 kg.	SLRS-2-C2-420	RED	029-24585-006
358 to 443 lbs.	162 to 201 kg.	SLRS-2-C2-520	WHITE	029-24585-007
443 to 582 lbs.	201 to 264 kg.	SLRS-2-C2-660	BLACK	029-24585-008
582 to 783 lbs.	264 to 335 kg.	SLRS-2-C2-920	BLUE	029-24585-009
783 to 1038 lbs.	335 to 471 kg.	SLRS-2-C2-1220	GREEN	029-24585-010
1038 to 1497 lbs.	471 to 679 kg.	SLRS-2-C2-1760	GRAY	029-24585-011
1497 to 2058 lbs.	679 to 933 kg.	SLRS-2-C2-2420	SILVER	029-24585-012
2058 to 2619 lbs.	933 to 1188 kg.	SLRS-2-C2-3080	GRAY W/ RED	029-24585-013
2619 to 3180 lbs.	1188 to 1442 kg.	SLRS-2-C2-3740	SILVER W/ RED	029-24585-014

SECTION 8 - YCIV CHILLER OPTIONS

TABLE 17 – FIELD INSTALLED OPTIONS PART NUMBERS

MODEL NUMBER YCIV	STANDARD 150# FLOW SWITCH*	OPTIONAL 300# FLOW SWITCH*	WELD FLANGE KIT	VICTAULIC FLANGE KIT	DIFFERENTIAL PRESSURE SWITCH
MODEL #	024-26116	024-12144	023-	023-	025-30919
0157	-000	-000	02336-000	19201-000	-000
0177			02366-000	19046-000	
0187					
0197					
0207					
0227					
0247					
0247					

*Note:

"Paddle Arm" type of flow switch.



SECTION 8 - ENCLOSURE KIT OPTIONS

TABLE 18 – ENCLOSURE KIT OPTIONS - FULL KIT PART NUMBERS

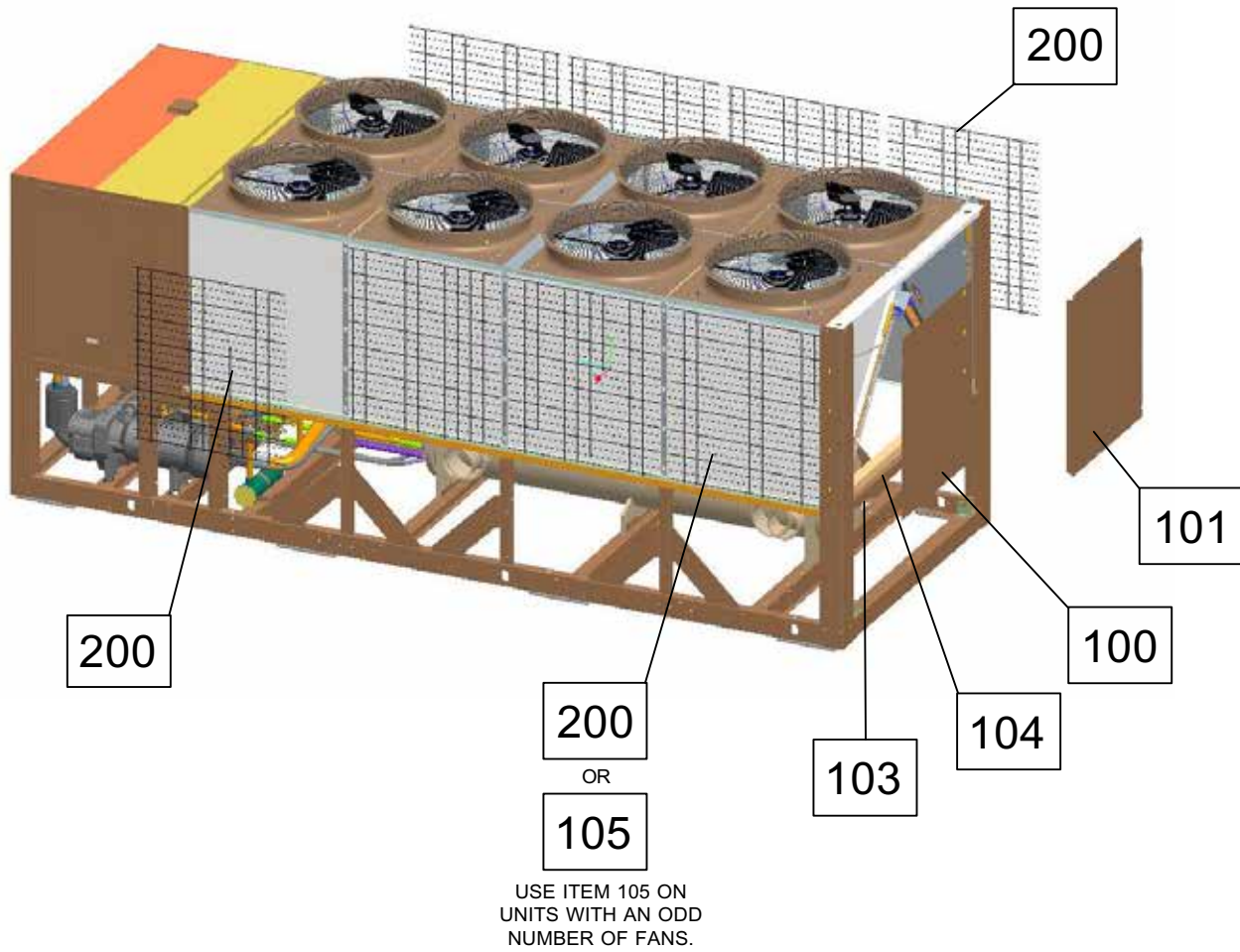
FULL ENCLOSURE KIT PART NUMBERS				
MODEL NUMBER YCIV-	WIRE ENCLOSURE		LOUVERED ENCLOSURE	
	STANDARD EFFICIENCY	HIGH EFFICIENCY	STANDARD EFFICIENCY	HIGH EFFICIENCY
0157	N/A	475-68136-008	N/A	475-68137-008
0157	475-68136-008	N/A	475-68137-008	N/A
0177	N/A	475-68136-009	N/A	475-68137-009
0177	475-68136-008	N/A	475-68137-008	N/A
0187	N/A	475-68136-010	N/A	475-68137-010
0187	475-68136-009	N/A	475-68137-009	N/A
0197	N/A	475-68136-010	N/A	475-68137-010
0207	475-68136-009	N/A	475-68137-009	N/A
0207	N/A	475-68136-011	N/A	475-68137-011
0227	N/A	475-68136-012	N/A	475-68137-012
0227	475-68136-010	N/A	475-68137-010	N/A
0247	475-68136-011	N/A	475-68137-011	N/A
0247	N/A	475-68136-012	N/A	475-68137-012
0267	475-68136-012	N/A	475-68137-012	N/A

FULL ENCLOSURE KIT PART NUMBERS				
MODEL NUMBER YCIV-	WIRE/LOUVERED ENCLOSURE		LOUVERED ENCLOSURE (COND. ONLY)	
	STANDARD EFFICIENCY	HIGH EFFICIENCY	STANDARD EFFICIENCY	HIGH EFFICIENCY
0157	N/A	475-68138-008	N/A	475-68137-080
0157	475-68138-008	N/A	475-68137-080	N/A
0177	N/A	475-68138-009	N/A	475-68137-090
0177	475-68138-008	N/A	475-68137-080	N/A
0187	N/A	475-68138-010	N/A	475-68137-100
0187	475-68138-009	N/A	475-68137-090	N/A
0197	N/A	475-68138-010	N/A	475-68137-100
0207	475-68138-009	N/A	475-68137-090	N/A
0207	N/A	475-68138-011	N/A	475-68137-110
0227	N/A	475-68138-012	N/A	475-68137-120
0227	475-68138-010	N/A	475-68137-100	N/A
0247	475-68138-011	N/A	475-68137-110	N/A
0247	N/A	475-68138-012	N/A	475-68137-120
0267	475-68138-012	N/A	475-68137-120	N/A

TABLE 18A – ENCLOSURE KIT OPTIONS - TOP AND BOTTOM SECTIONS
(SEE FIGS. 14, 15, 16, 17 AND 17A, PAGES 62-66)

FULL KIT NUMBER	TOP OR BOTTOM	PART NUMBER
WIRE ENCLOSURES		
475-68136-008	(Top)	375-68136-080
	(Bottom)	375-68136-081
475-68136-009	(Top)	375-68136-090
	(Bottom)	375-68136-101
475-68136-010	(Top)	375-68136-100
	(Bottom)	375-68136-101
475-68136-011	(Top)	375-68136-110
	(Bottom)	375-68136-121
475-68136-012	(Top)	375-68136-120
	(Bottom)	375-68136-121
LOUVERED ENCLOSURE		
475-68137-008	(Top)	375-68137-080
	(Bottom)	375-68137-081
475-68137-009	(Top)	375-68137-090
	(Bottom)	375-68137-101
475-68137-010	(Top)	375-68137-100
	(Bottom)	375-68137-101
475-68137-011	(Top)	375-68137-110
	(Bottom)	375-68137-121
475-68137-012	(Top)	375-68137-120
	(Bottom)	375-68137-121
WIRE/LOUVERED ENCLOSURE		
475-68138-008	(Top)	375-68138-080
	(Bottom)	375-68138-081
475-68138-009	(Top)	375-68138-090
	(Bottom)	375-68138-101
475-68138-010	(Top)	375-68138-100
	(Bottom)	375-68138-101
475-68138-011	(Top)	375-68138-110
	(Bottom)	375-68138-121
475-68138-012	(Top)	375-68138-120
	(Bottom)	375-68138-121





68136-000

FIG. 14 – WIRE ENCLOSURE (TOP SECTIONS) - 375-68136-080 SHOWN (REF. TABLE 19)

TABLE 19 – WIRE ENCLOSURE (TOP SECTIONS) - (SEE FIG. 14)

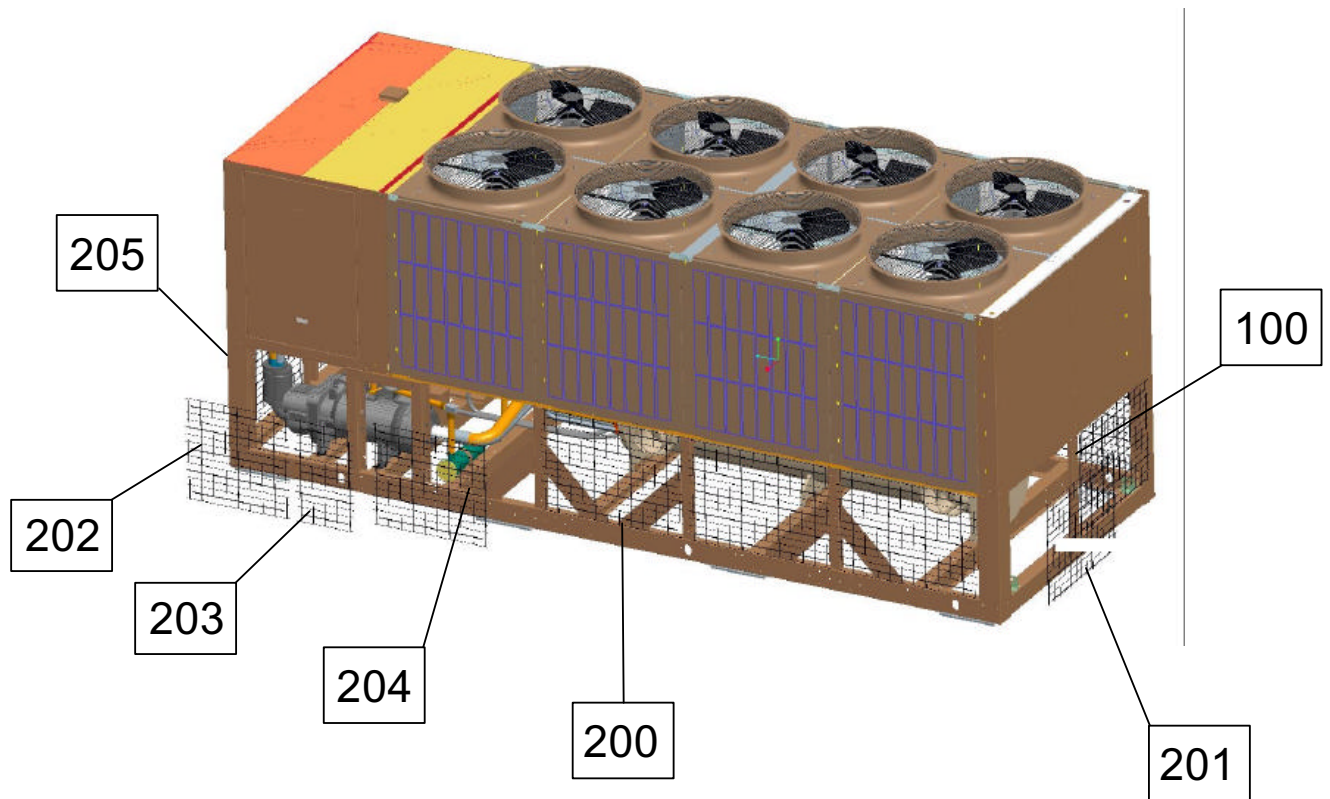
WIRE ENCLOSURE TOP SECTIONS KIT COMPONENTS			
ITEM #	DESCRIPTION	PART NUMBER	QTY
100	END PANEL - LH	075-57085-000	1
101	END PANEL - RH	075-57086-000	1
103	CHANNEL	075-57082-000	1
104	PLATE	075-57133-000	1
105	PANEL - SIDE	075-66961-000	1
200	WIRE GRILL CONDENSER	026-41776-000	8**

** Refer to page 61, Quantity for 375-68136-090 = 9

** Refer to page 61, Quantity for 375-68136-100 = 10

** Refer to page 61, Quantity for 375-68136-110 = 11

** Refer to page 61, Quantity for 375-68136-120 = 12



68136-001A

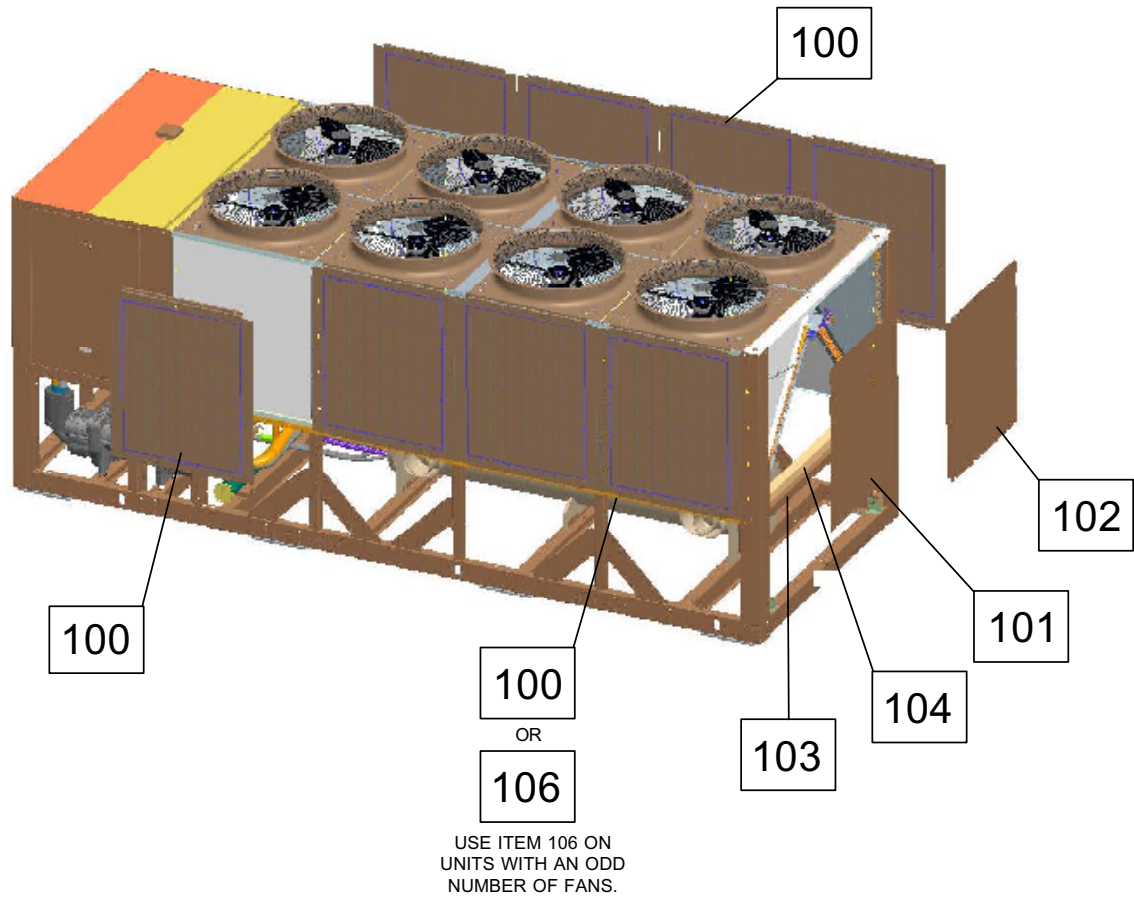
FIG. 15 – WIRE ENCLOSURE (BOTTOM SECTIONS) - 375-68136-081 SHOWN (REF. TABLE 20)

TABLE 20 – WIRE ENCLOSURE (BOTTOM SECTIONS) - (SEE FIG. 15)

WIRE ENCLOSURE BOTTOM SECTIONS KIT COMPONENTS			
ITEM #	DESCRIPTION	PART NUMBER	QTY
100	REAR SUPPORT	075-68135-000	1
200	WIRE GRILL	026-44013-000	6**
201	WIRE GRILL - REAR	026-44014-000	2
202	WIRE GRILL	026-44017-000	2
203	WIRE GRILL	026-44016-000	2
204	WIRE GRILL	026-44015-000	2
205	WIRE GRILL - FRONT	026-44018-000	2

** Refer to page 61, Quantity for 375-68136-101 = 8

** Refer to page 61, Quantity for 375-68136-121 = 10



68137-000

FIG. 16 – LOUVERED ENCLOSURE (TOP SECTIONS) - 375-68137-080 SHOWN (REF. TABLE 21)

TABLE 21 – LOUVERED ENCLOSURE (TOP SECTIONS) - (SEE FIG. 16)

LOUVERED ENCLOSURE TOP SECTIONS KIT COMPONENTS			
ITEM #	DESCRIPTION	PART NUMBER	QTY
100	LOUVER PANEL	075-56976-000	8**
101	REAR PANEL - LH	075-57085-000	1
102	REAR PANEL - RH	075-57086-000	1
103	CHANNEL	075-57082-000	1
104	REAR SUPPORT	075-57133-000	1
106	LOUVERED PANEL - SIDE	075-66961-000	1

** Refer to page 61, Quantity for 375-68137-090 = 9

** Refer to page 61, Quantity for 375-68137-100 = 10

** Refer to page 61, Quantity for 375-68137-110 = 11

** Refer to page 61, Quantity for 375-68137-120 = 12

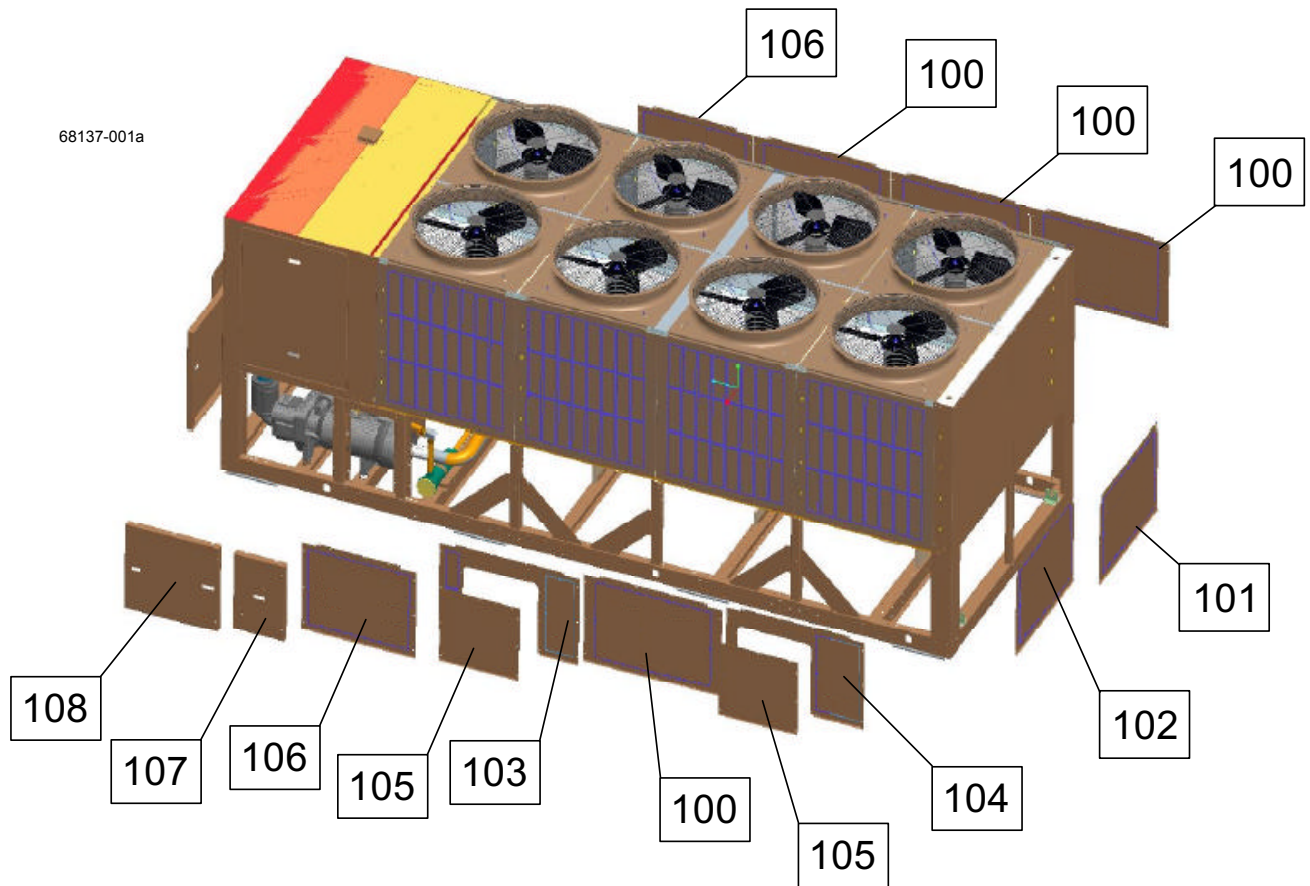


FIG. 17 – LOUVERED ENCLOSURE (BOTTOM SECTIONS)
 375-68137-081 SHOWN (REF. TABLE 22)

TABLE 22 – LOUVERED ENCLOSURE (BOTTOM SECTIONS)
 (SEE FIGS. 17 and 17A, PAGES 65 AND 66)

LOUVERED ENCLOSURE BOTTOM SECTIONS KIT COMPONENTS			
ITEM #	DESCRIPTION	PART NUMBER	QTY
100	LOUVER PANEL	075-68132-000	4**
101	LOUVER PANEL	075-68133-000	2
102	SUPPORT	075-68135-000	1
103	LOUVER PANEL	075-68139-000	1
104	LOUVER PANEL	075-68140-000	1
105	COVER PANEL	075-57112-000	2
106	LOUVER PANEL	075-68131-000	2
107	PANEL - SIDE	075-66949-000	2
108	PANEL - SIDE	075-65694-000	2
109	PANEL - FRONT	075-65693-000	1
110	PANEL - FRONT	075-65691-000	1
111	COVER PANEL	075-65692-000	1

** Refer to page 61, Quantity for 375-68137-101 = 6

** Refer to page 61, Quantity for 375-68137-121 = 8

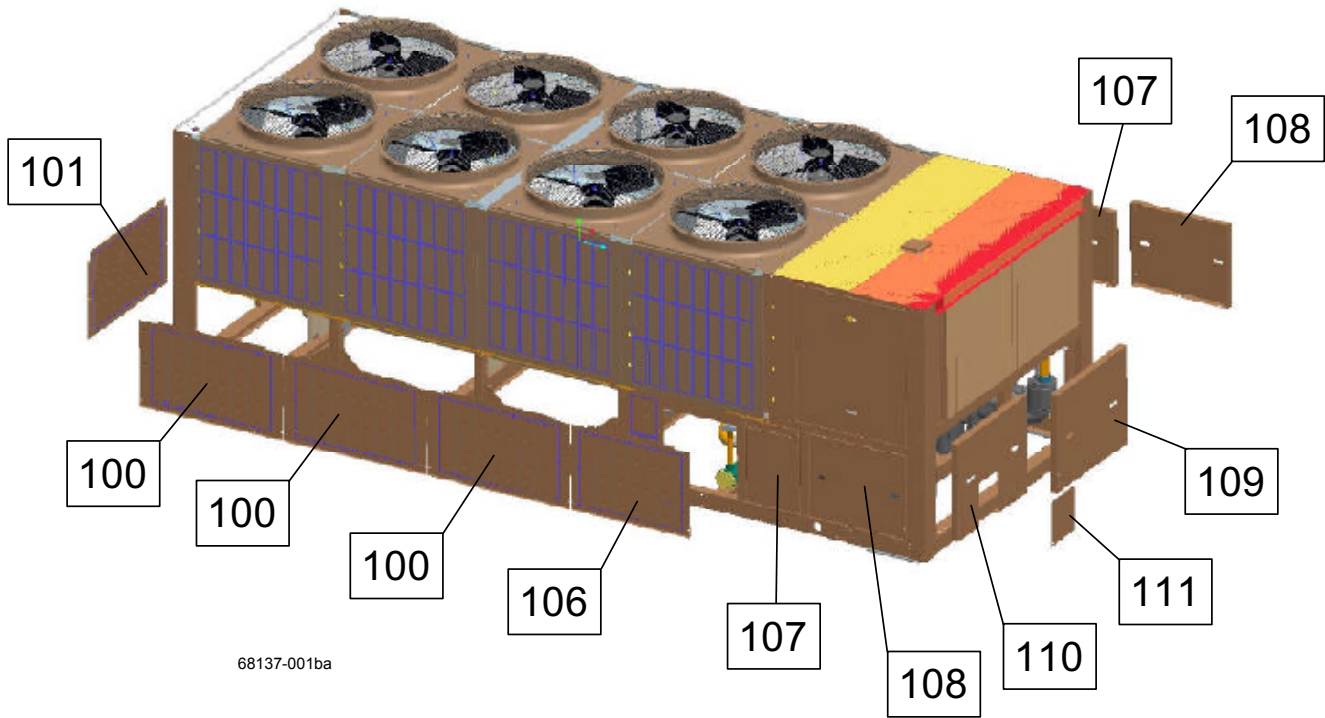


FIG. 17A – LOUVERED ENCLOSURE (BOTTOM SECTIONS)
375-68137-081 SHOWN (REF. TABLE 22, PAGE 65)

SECTION 8 - FRAME RAIL COMPONENTS

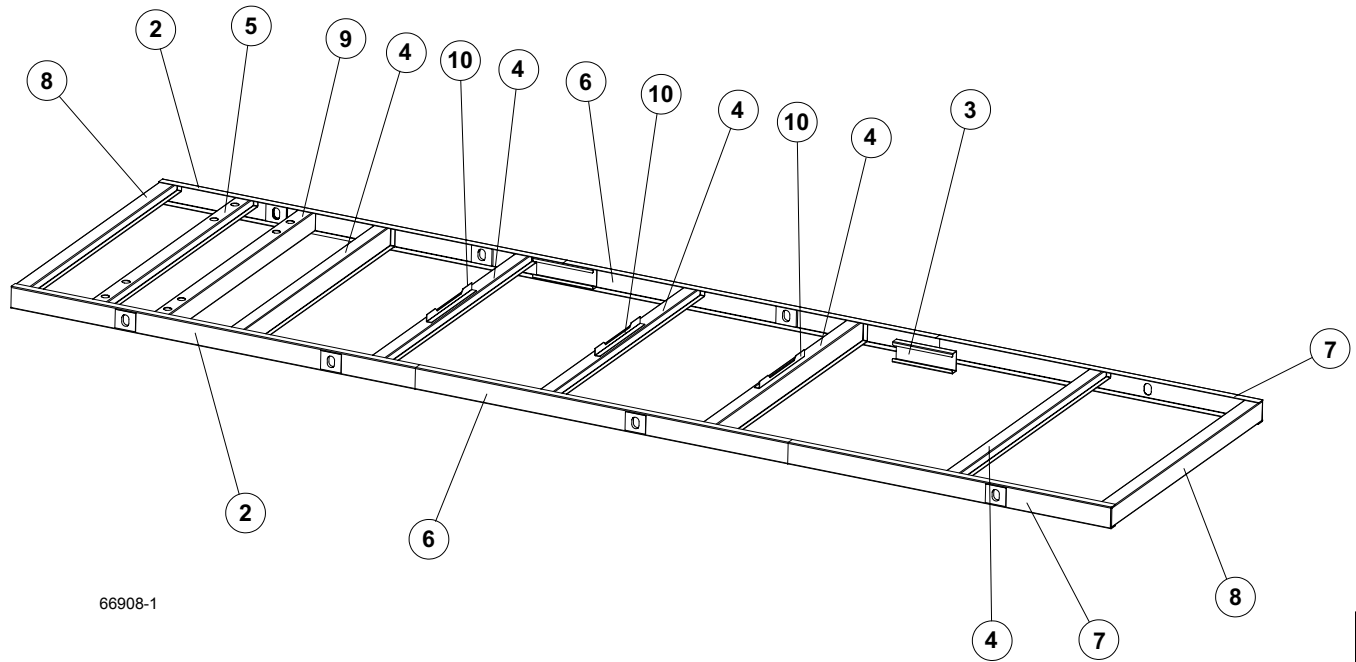


FIG. 18 – BASE RAIL COMPONENTS - 375-66908-XXX SHOWN (REF. TABLE 23)

TABLE 23 – BASE RAIL COMPONENTS (SEE FIG. 18)

ITEM #	DESCRIPTION	YCIV MODELS	PART NUMBER	QTY
2	CHANNEL, SIDE	0800, 0830, 0920, 0930, 1000	075-66887-000	2
		0590, 0600, 0650, 0630, 0700, 0720, 0760, 0770, 0840	075-65621-000	
3	CONNECTOR, SIDE CHANNEL	ALL	075-65622-000	4
4	CHANNEL, COOLER SUPPORT	0800, 0830, 0920, 0930, 1000	075-65623-000	5
		0590, 0600, 0650, 0630, 0700, 0720, 0760, 0770, 0840		4
5	CHANNEL, RAIL END SUPPORT	ALL	075-65624-000	1
6	CHANNEL, SIDE MIDDLE	0800, 0830, 0920, 0930, 1000	075-66888-000	2
		0590, 0600, 0650, 0630, 0700, 0720, 0760, 0770, 0840	075-65625-000	
7	CHANNEL, SIDE END	0800, 0830, 0920, 0930, 1000	075-65717-000	2
		0630, 0700, 0720, 0760, 0770, 0840	075-65626-000	
		0590, 0600, 0650	075-66903-000	
8	CHANNEL, RAIL END	ALL	075-65627-000	2
9	CHANNEL, RAIL END SUPPORT	ALL	075-65628-000	1
10	BRACKET, COOLER	0770, 0840, 0920, 0930, 1000	075-55604-000	3
		0630, 0700, 0720, 0760, 0800, 0830	075-55617-000	
		0590, 0600, 0650		

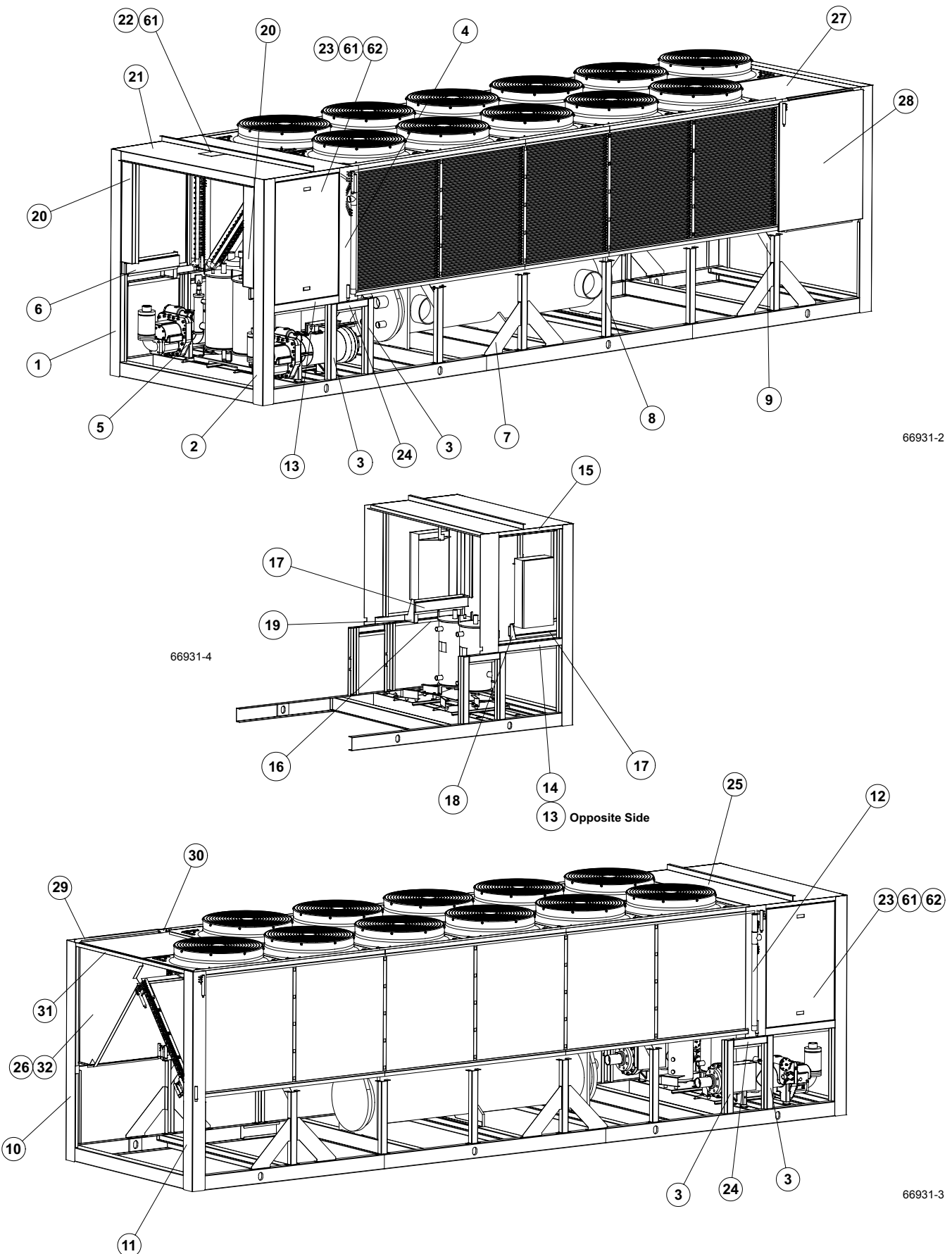


FIG. 18A – FRAME RAIL COMPONENTS - 375-66931-XXX SHOWN (REF. TABLE 23A, PAGE 69)

TABLE 23A – FRAME RAIL COMPONENTS (SEE FIG. 18A, PAGE 68)

ITEM #	DESCRIPTION	YCIV MODELS	PART NUMBER	QTY
1	SUPPORT, FRONT LEFT	ALL	075-65636-000	1
2	SUPPORT, FRONT RIGHT	ALL	075-65638-000	1
3	SUPPORT, MODULE	ALL	075-66932-000	4
4	COVER, HEADER RIGHT	ALL	075-65643-000	1
5	SUPPORT, CONTROL PANEL	ALL	075-65639-000	1
6	CHANNEL, CONTROL PANEL	ALL	075-65637-000	1
7	BRACKET, SUPPORT	ALL	075-65645-000	8
8	LEG, SUPPORT	ALL	075-65661-000	8 or 10
9	BRACKET, ANGLE	ALL	075-55626-000	4
10	SUPPORT, REAR RIGHT	ALL	075-65640-000	1
11	SUPPORT, REAR LEFT	ALL	075-65641-000	1
12	COVER, HEADER LEFT	ALL	075-65642-000	1
13	RAIL, SIDE RH	ALL	075-65654-000	1
14	RAIL, SIDE LH	ALL	075-65655-000	1
15	SUPPORT, PANEL TOP LEFT	ALL	075-84934-000	2
16	RAIL, SUPPORT	ALL	075-65650-000	1
17	SUPPORT, CONTROL PANEL	ALL	075-65651-000	2
18	BRACKET	ALL	075-65653-000	1
19	BRACKET	ALL	075-65652-000	1
20	PANEL, SIDE	ALL	075-65656-000	2
21	PANEL, TOP	ALL	075-84935-000	1
22	COVER, GLYCOL LOOP	ALL	075-84936-000	1
23	PANEL, SIDE TOP	ALL	075-65644-000	2
24	BRACE	ALL	075-66933-000	2
25	PANEL, COVER TOP	ALL	075-84937-000	1
26	PANEL, VEE	9 and 11 Fan Units	075-66959-000	1
27	PANEL, TOP	9 and 11 Fan Units	075-66960-000	1
28	PANEL, SIDE	9 and 11 Fan Units	075-66961-000	1
29	CHANNEL, ZEE	9 and 11 Fan Units	075-66962-000	1
30	BRACKET, ANGLE	9 and 11 Fan Units	075-66963-000	1
31	PAN, UPPER	9 and 11 Fan Units	075-55347-000	1
32	BRACKET, FAN MOUNTING	9 and 11 Fan Units	075-55346-000	1
61	GASKET (USE WITH #23)	ALL	028-11779-000	AR
62	HANDLE	ALL	021-31848-000	4



SECTION 8 - RECOMMENDED SPARE PARTS**York Model YCIV Style A Air Cooled Screw Chillers
Suggested Spare Parts List for Critical Duty Applications****TABLE 24 – RECOMMENDED SPARE PARTS - YCIV0157-YCIV0267 CHILLERS**

PAGE REF. & ITEM NUMBER	DESCRIPTION	MODEL YCIV	PART NUMBER
Page 12, Item 1	Fan Motor (Standard Low Sound)	-40	024-27322-104
		-46	024-27322-207
Page 12, Item 1	Fan Motor (Ultra Low Sound)	-40	024-34980-005
		-46	024-34980-001
Page 12, Item 2	Fan Blade (Standard Low Sound)	All	026-41594-000
	Fan Blade (Ultra Low Sound)	All	026-41942-000
Page 13, Item 1	Fan Motor (High Static)	-40	024-36081-003
		-46	
Page 13, Item 1	Fan Motor (High Air Flow)	-40	024-36874-002
		-46	024-36081-003
Page 13, Item 2	Fan Blade (High Static or High Air Flow)	-40	026-45538-000
		-46	026-45679-000
Pages 15, 16 and 17, Item 1	Valve, Control (Feed or Drain)	Ref. Table 4	025-41564-000
			025-41565-000
Page 15 and 16, Item 5	Core, Dehydrator	All	026-37540-000
Page 15 and 16, Item 20	Sensor, Refrig Level	All	025-40274-000
Page 19, Item 10	Cap, Radiator	All	023-21927-000
Page 19, Item 13	Coolant Propylene Glycol (5 gallon)	All	013-03344-000
Page 20, Item OIL	Oil, Compressor (Type 'L')	R-134A	011-00592-000
Page 20, Item FILTER	Filter, Oil		026-35601-000
Page 20, Item O-RING	O-ring, Filter Cover		028-13849-000
Page 31, Item 28B	Chiller Control Board	See Table 8	331-03478-6xx
Page 31, Item 28A	Eprom, Chiller Control Board	Standard	031-02476-001
	Eprom, Chiller Control Board	Optimized	031-02476-002
Page 31, Item 72	Controller, Drain/Feed (90° Flow)	Ref. Table 8	031-02510-000
	Controller, Drain/Feed (Straight Flow)		031-02742-000
Page 32-39, Item 190	VSD Logic Board Kit	All	Ref. Table 8A
Page 32-39, Item 190a			
Page 56, Item 1	Sensor, Outside Air Temperature	All	025-28663-001
Page 56, Item 2	Sensor, Water Temp. (EWT, LWT)	All	025-40334-000
Page 56, Item 4	Sensor, Discharge Temperature	All	025-32924-000
Page 56, Item 5	Sensor, Suction Temperature	All	025-28935-000
Page 56, Item 6	Sensor, Oil Temperature	All	025-30440-000
Page 56, Item 7 and 8	Transducer, Discharge & Oil Pressure (0-275psi)	All	025-29139-003
Page 56, Item 9	Transducer, Suction Pressure (0-125psi)	All	025-29583-001

All parts should be purchased from your local YORK
Sales and Service Center.

NOTES





P.O. Box 1592, York, Pennsylvania USA 17405-1592
Copyright © by Johnson Controls 2015
Form 201.23-RP2 (315)
Issue Date: March 31, 2015
Supersedes: 201.23-RP2 (310)

800-861-1001
www.johnsoncontrols.com

Subject to change without notice. Printed in USA
ALL RIGHTS RESERVED