	Form: 201.23-RP1 LS02	109
	Supersedes: None	
LITERATURE SUPPLEMENT	File with: 201.23-RP1 (1007)	
Subject: Revised COMPRESSOR part number information (Table 5, Page 21).		

**MODELS YCIV0590, 0600, 0630, 0650, 0700, 0720,
0760, 0770, 0800, 0830, 0840, 0920, 0930 and YCIV1000**

STYLE "A"



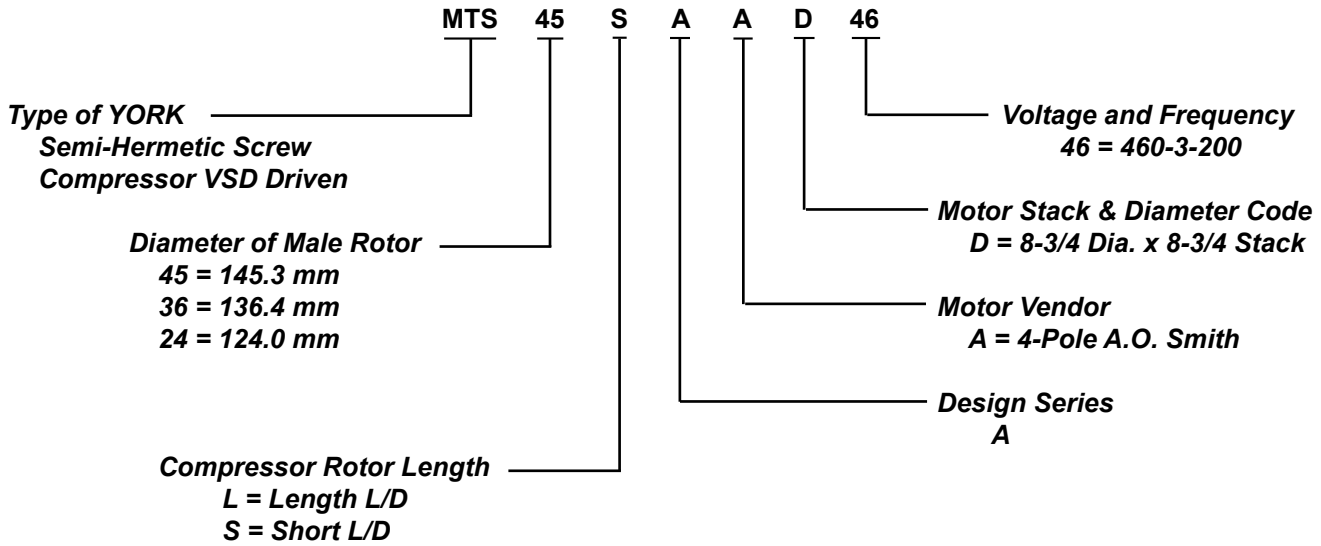
Revised COMPRESSOR part number information (Table 5, Page 21).

NOTE: The pages contained within this supplement may be substituted
for pages in 201.23-RP1(1007).



380/415-3-50
MODELS ONLY

COMPRESSOR MODEL NOMENCLATURE



Compressor

COMPRESSOR WEIGHTS		
MM SIZE	WEIGHT (LBS.)*	WEIGHT (Kg.)
145	1310	594
136	1250	567
124	1175	533

*Note: Less Service Valves.

ITEM	REF.	DESCRIPTION	5 GALLON
OIL ^s	R-134A	Oil, Type 'L' (Synthetic)	011-00592-000

^s = Recommended Spare Parts

COMPRESSOR

TABLE 5 – STANDARD MODEL COMPRESSOR PART NUMBERS - S OR P

MODEL	VOLTAGE CODE	SYSTEM #1 COMPRESSOR				SYSTEM #2 COMPRESSOR			
		PART #	MODEL #	MM	QTY	PART #	MODEL #	MM	QTY
YCIV0590	-50	364-50820-100	MTS24SA	124	1	364-50820-100	MTS24SA	124	1
YCIV0600	-50	364-50820-100	MTS24SA	124	1	364-50820-100	MTS24SA	124	1
YCIV0630	-50	364-50820-100	MTS24SA	124	1	364-50820-100	MTS24SA	124	1
YCIV0650	-50	364-50821-100	MTS36SA	136	1	364-50820-100	MTS24SA	124	1
YCIV0700	-50	364-50821-100	MTS36SA	136	1	364-50820-100	MTS24SA	124	1
YCIV0720	-50	364-50821-100	MTS36SA	136	1	364-50820-100	MTS24SA	124	1
YCIV0760	-50	364-50821-100	MTS36SA	136	1	364-50821-100	MTS36SA	136	1
YCIV0770	-50	364-50821-100	MTS36SA	136	1	364-50821-100	MTS36SA	136	1
YCIV0800	-50	364-50821-100	MTS36SA	136	1	364-50821-100	MTS36SA	136	1
YCIV0830	-50	364-50821-100	MTS36SA	136	1	364-50821-100	MTS36SA	136	1
YCIV0840	-50	364-50821-100	MTS36SA	136	1	364-50821-100	MTS36SA	136	1
YCIV0920	-50	364-50821-100	MTS36SA	136	1	364-50822-100	MTS45SA	145	1
YCIV0930	-50	364-50821-100	MTS36SA	136	1	364-50822-100	MTS45SA	145	1
YCIV1000	-50	364-50822-100	MTS45SA	145	1	364-50822-100	MTS45SA	145	1

Compressor

COMPRESSOR CHANGE OUT PARTS		
MM SIZE	DESCRIPTION	PART NUMBER
All	Heater, Compressor (350 watts)	025-32938-000
	Filter, Oil	026-35601-000
	O-ring, Filter Cover	028-13849-000
	Gasket, Suction Flange	028-15075-159
	Gasket, Discharge Flange	028-15296-000
	Seal, HPCO O-Ring	028-13540-000

