	Form: 201.21-RP1 (LS02)	706
	Supercedes: None	
LITERATURE SUPPLEMENT	File with: 201.21-RP1 (505) File with: 201.21-RP2 (605)	
Subject: Revised Fig. 3 - FAN COMPONENTS (Figure 3, Page 14). Subject: Added COMPRESSOR HEATER part numbers (Table on Page 26). Subject: Revised Item #7 CAPACITOR part number (Table 9, Page 39).		

**MODELS YCAV0157, 0177, 0187, 0197, 0207, 0227,
0247 and YCAV0267**

**MODELS YCAV0569, 0639, 0679, 0719, 0739, 0819,
0889 and YCAV0969**

STYLE "A"

Revised **Fig. 3** - FAN COMPONENTS (Figure 3, Page 14).
Added COMPRESSOR HEATER part numbers (Table on Page 26).
Revised Item #7, Capacitor part number (Table 9, Page 39).



NOTE: The pages contained within this supplement may be substituted for pages in 201.21-RP1 (505) and 201.21-RP2 (605).

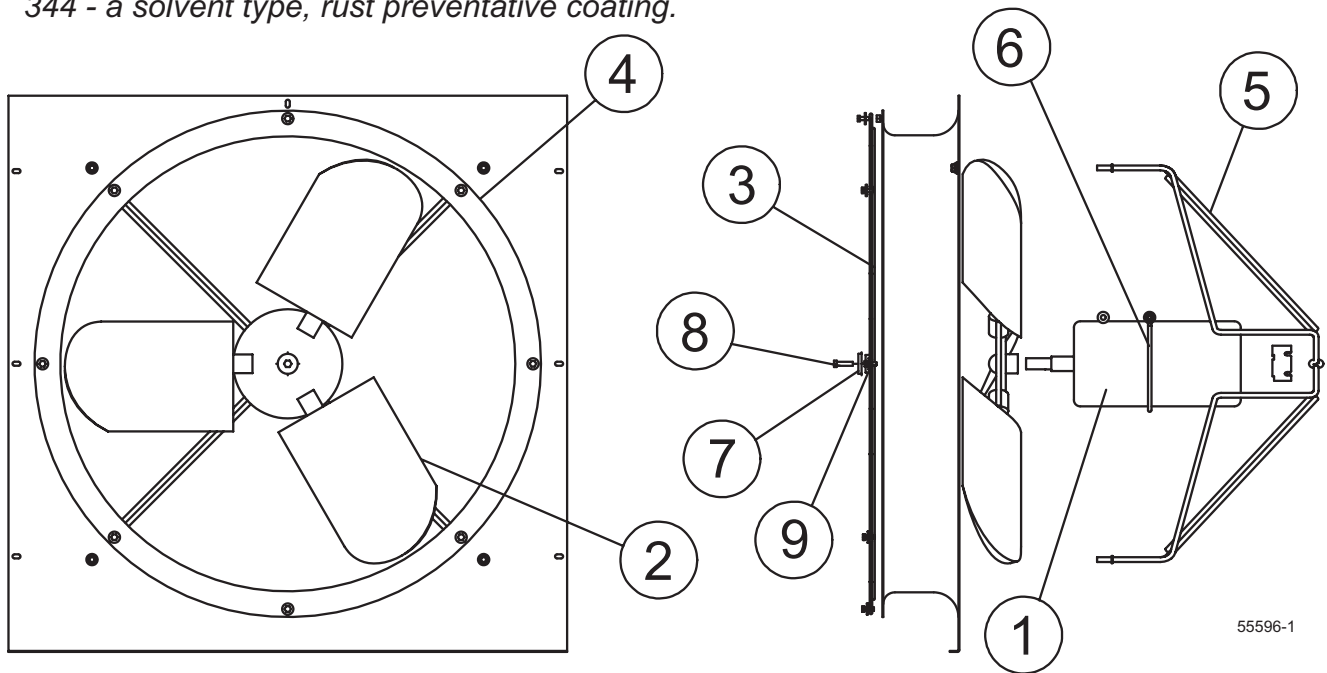


200-3-60
230-3-60
315-3-60
380/415-3-50
460-3-60
575-3-60
MODELS ONLY

FAN COMPONENTS

Service Note:

Fan Hub to Shaft Joint should be sealed with protective coating - use RUST VETO 344 - a solvent type, rust preventative coating.



Service Note: Pin Location 52 in Model Number will be "X" for Standard Fan, or "L" for Low Noise Fan. See page 4.

FIG. 3 – FAN COMPONENTS

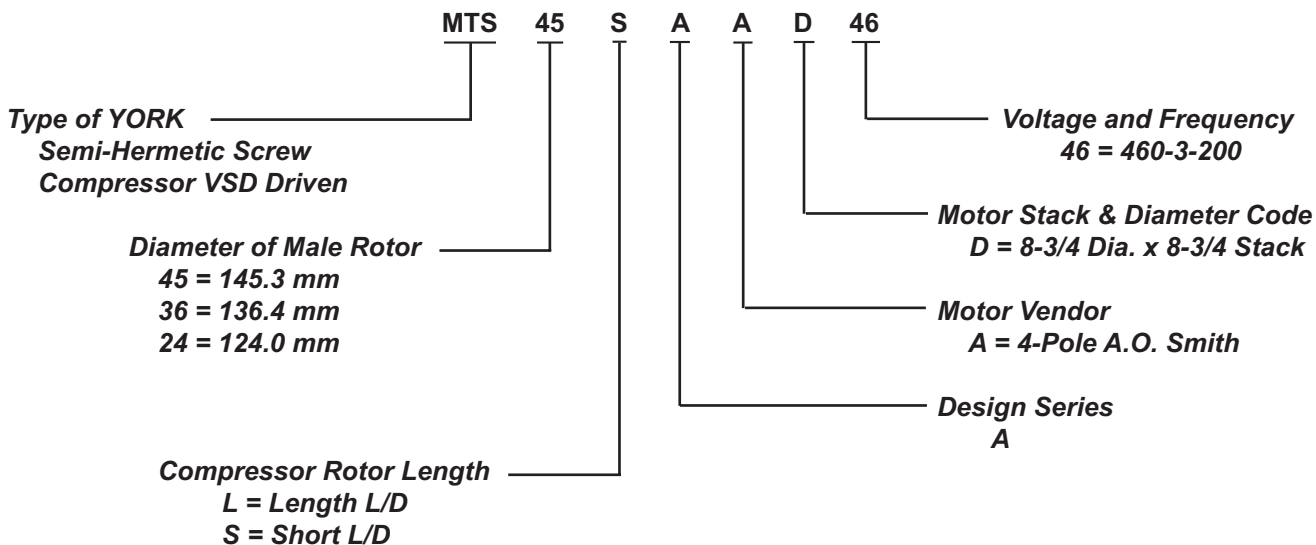
TABLE 3 – FAN COMPONENTS

ITEM NUMBER	DESCRIPTION	VOLTAGE CODE	FAN TYPE	
			STANDARD 7/8", 1160 RPM	ULTRA QUIET 7/8", 850 RPM
1 ^s	Motor, Fan 2 HP (YCAV0157 - YCAV0267) (YCAV0569 - YCAV0969)	-17	024-27322-007	024-34980-001
		-28		
		-40		
		-46		
		-50	024-27322-008	
		-58	024-27322-007	
2 ^s	Blade (YCAV0157 - YCAV0267)	All	026-41594-000	026-41942-000
	Blade (YCAV0569 - YCAV0969)		026-41943-000	026-41601-000
3	Guard	All	026-35605-000	
4	Orifice	All	026-41609-000	
5	Support	All	026-41937-000	026-41938-000
6	Support Ring	All	026-36367-000	
7	Spacer (.375 I.D.)	All	075-29007-000	
8	Screw, Cap (M8x125)	All	021-18494-000	
9	Spacer (1.406 I.D.)	All	075-40484-000	

^s = Recommended Spare Parts

This page intentionally left blank

COMPRESSOR MODEL NOMENCLATURE



Compressor

COMPRESSOR WEIGHTS		
MM SIZE	WEIGHT (LBS.)*	WEIGHT (Kg.)
145	1310	594
136	1250	567
124	1175	533

*Note: Less Service Valves.

ITEM	REF.	DESCRIPTION	5 GALLON
OIL ^s	R-134A	Oil, Type 'L' (Synthetic)	011-00591-000

^s = Recommended Spare Parts

DESCRIPTION	PART NUMBER
COMPRESSOR HEATER	025-32938-000

This page intentionally left blank

This page intentionally left blank

VARIABLE SPEED DRIVE POWER ASSEMBLY COMPONENTS (CONT'D)

TABLE 9 – VARIABLE SPEED DRIVE POWER ASSEMBLY COMPONENTS
(SEE FIG. 9, PAGE 38)

ITEM NUMBER	QUANTITY PER UNIT	DESCRIPTION	YORK PART NUMBER
1	6	CAPACITOR	025-35972-000
2	1	BUSS PLATE KIT	371-04477-001
3	2	IGBT ASSEMBLY KIT	371-04479-001
4	3	DIODE MODULE KIT	371-04478-001
5	2	RESISTOR	025-35157-000
6	2	THERMAL PAD	028-15299-000
7	6	CAPACITOR	025-35973-000
8	6	INSULATOR, CAPACITOR	071-02769-319
9	2	GASKET	028-15113-000
10	1	HARNESS, SCR TO TRIGGER BD.	571-04181-221
11	1	HARNESS, GROUND	571-04181-242
12	1	HARNESS, EQUALIZER	571-04181-241



P.O. Box 1592, York, Pennsylvania USA 17405-1592
Copyright © by York International Corporation 2006

Tele. 800-861-1001
www.york.com

Subject to change without notice. Printed in USA
ALL RIGHTS RESERVED

Form 201.21-RP1 (LS02) (706)

New Release