


| | | |
|---|--|------|
|  | Form: 201.21-RP1 (LS01) | 1205 |
| | Supercedes: None | |
| LITERATURE SUPPLEMENT | File with: 201.21-RP1 (505) File with: 201.21-RP2 (605) | |
| Subject: Revised CONDENSER COILS callout information (Figure 2, Page 9). | | |

**MODELS YCAV0157, 0177, 0187, 0197, 0207, 0227,
0247 and YCAV0267**

**MODELS YCAV0569, 0639, 0679, 0719, 0739, 0819,
0889 and YCAV0969**

STYLE "A"

Revised CONDENSER COILS callout information (Figure 2, Page 9).



NOTE: The pages contained within this supplement may be substituted for pages in 201.21-RP1(505) and 201.21-RP2 (605).



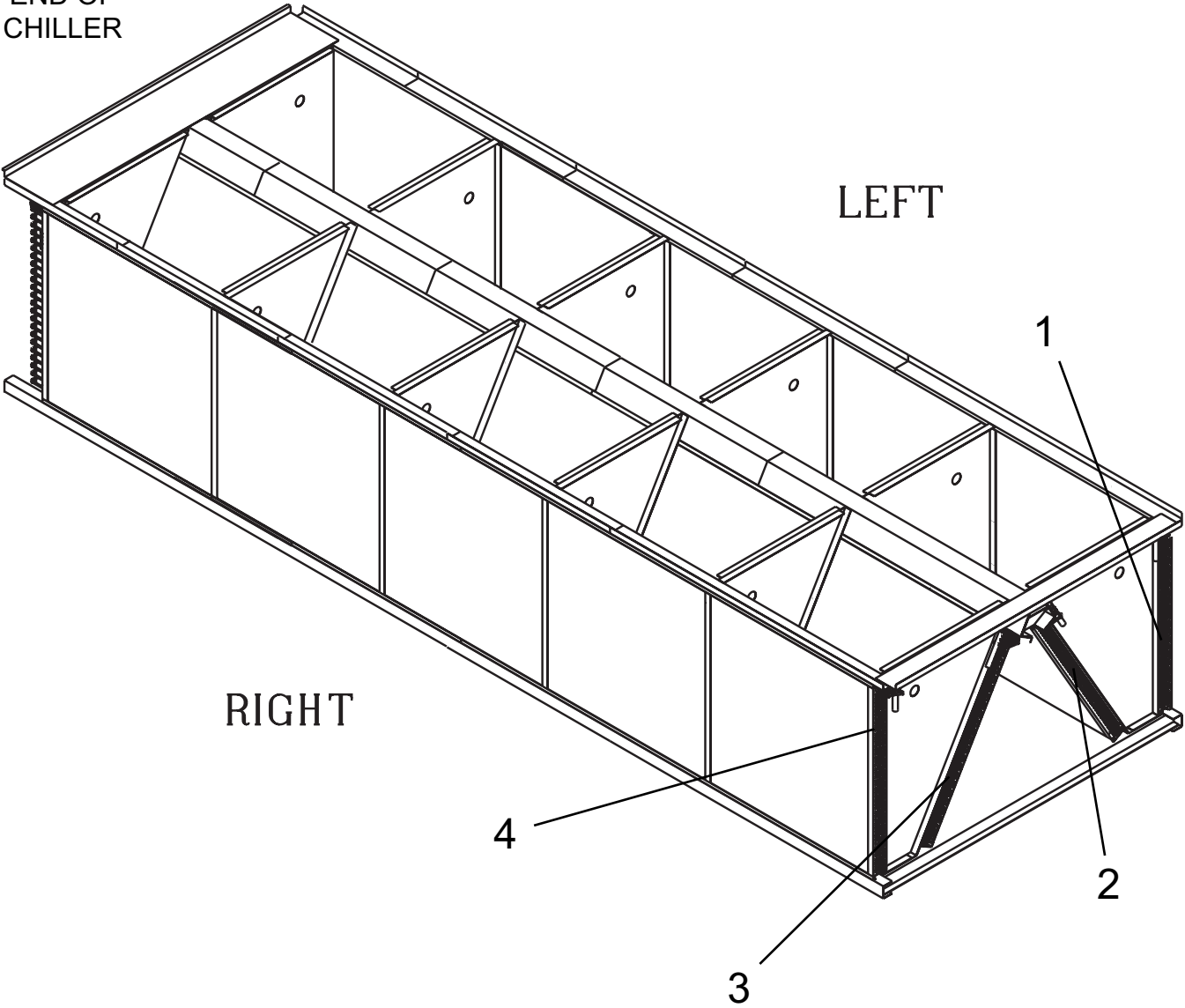
200-3-60
230-3-60
315-3-60
380/415-3-50
460-3-60
575-3-60
MODELS ONLY

This page intentionally left blank

CONDENSER COIL COMPONENTS

POWER
PANEL
END OF
CHILLER

Condenser



25578-1

FIG. 2 – CONDENSER COIL COMPONENTS
(REF. TABLES 2 AND 2A, PAGES 10, 11, 12 AND 13)

CONDENSER COIL COMPONENTS (CONT'D)

TABLE 2 – CONDENSER COIL COMPONENTS - STANDARD 'PIN 9 = S OR P'
(SEE FIG. 2, PAGE 9)

| ITEM NUMBER | DESCRIPTION | SYSTEM | QTY | MODELS YCAV0157, 0177, 0569 AND YCAV0639 | MODELS YCAV0187, 0207, 0679 AND YCAV0739 | MODELS YCAV0227 AND YCAV0819 |
|------------------------|----------------|--------|-----|---|---|------------------------------------|
| ALUMINUM COILS | | | | | | |
| 1 | Coil Assembly* | Sys 1 | 1 | 375-55356-001 | 375-55350-001 | 375-55350-001 |
| 2 | | | 1 | 375-55356-002 | 375-55350-002 | 375-55350-002 |
| 3 | | Sys 2 | 1 | 375-55356-003 | 375-55356-003 | 375-55350-003 |
| 4 | | | 1 | 375-55356-004 | 375-55356-004 | 375-55350-004 |
| COPPER COILS | | | | | | |
| 1 | Coil Assembly* | Sys 1 | 1 | 375-55356-005 | 375-55350-005 | 375-55350-005 |
| 2 | | | 1 | 375-55356-006 | 375-55350-006 | 375-55350-006 |
| 3 | | Sys 2 | 1 | 375-55356-007 | 375-55356-007 | 375-55350-007 |
| 4 | | | 1 | 375-55356-008 | 375-55356-008 | 375-55350-008 |
| BLACK FIN COILS | | | | | | |
| 1 | Coil Assembly* | Sys 1 | 1 | 375-55356-009 | 375-55350-009 | 375-55350-009 |
| 2 | | | 1 | 375-55356-010 | 375-55350-010 | 375-55350-010 |
| 3 | | Sys 2 | 1 | 375-55356-011 | 375-55356-011 | 375-55350-011 |
| 4 | | | 1 | 375-55356-012 | 375-55356-012 | 375-55350-012 |
| PHENOLIC COILS | | | | | | |
| 1 | Coil Assembly* | Sys 1 | 1 | 375-58328-001 | 375-58328-005 | 375-58328-005 |
| 2 | | | 1 | 375-58328-002 | 375-58328-006 | 375-58328-006 |
| 3 | | Sys 2 | 1 | 375-58328-003 | 375-58328-003 | 375-58328-007 |
| 4 | | | 1 | 375-58328-004 | 375-58328-004 | 375-58328-008 |

***Note:** Coil Assembly includes coil and headers.

CONDENSER COIL COMPONENTS (CONT'D)

TABLE 2 (CONT'D) – CONDENSER COIL COMPONENTS - STANDARD 'PIN 9 = S OR P'
(SEE FIG. 2, PAGE 9)

| ITEM NUMBER | DESCRIPTION | SYSTEM | QTY | MODELS YCAV0247 AND YCAV0889 | MODELS YCAV0267 AND YCAV0969 |
|---------------------------|----------------|--------|-----|------------------------------------|------------------------------------|
| ALUMINUM FIN COILS | | | | | |
| 1 | Coil Assembly* | Sys 1 | 1 | 375-54395-001 | 375-54395-001 |
| 2 | | | 1 | 375-54395-002 | 375-54395-002 |
| 3 | | Sys 2 | 1 | 375-55350-003 | 375-54395-003 |
| 4 | | | 1 | 375-55350-004 | 375-54395-004 |
| BLACK FIN COILS | | | | | |
| 1 | Coil Assembly* | Sys 1 | 1 | 375-54395-005 | 375-54395-005 |
| 2 | | | 1 | 375-54395-006 | 375-54395-006 |
| 3 | | Sys 2 | 1 | 375-55350-007 | 375-54395-007 |
| 4 | | | 1 | 375-55350-008 | 375-54395-008 |
| PHENOLIC COILS | | | | | |
| 1 | Coil Assembly* | Sys 1 | 1 | 375-54395-009 | 375-54395-009 |
| 2 | | | 1 | 375-54395-010 | 375-54395-010 |
| 3 | | Sys 2 | 1 | 375-55350-011 | 375-54395-011 |
| 4 | | | 1 | 375-55350-012 | 375-54395-012 |
| COPPER COILS | | | | | |
| 1 | Coil Assembly* | Sys 1 | 1 | 375-58328-009 | 375-58328-009 |
| 2 | | | 1 | 375-58328-010 | 375-58328-010 |
| 3 | | Sys 2 | 1 | 375-58328-007 | 375-58328-011 |
| 4 | | | 1 | 375-58328-008 | 375-58328-012 |

***Note:** Coil Assembly includes coil and headers.

CONDENSER COIL COMPONENTS (CONT'D)

TABLE 2A – CONDENSER COIL COMPONENTS - HIGH EFFICIENCY 'PIN 9 = E OR V'
(SEE FIG. 2, PAGE 9)

| ITEM NUMBER | DESCRIPTION | SYSTEM | QTY | MODELS | MODELS | MODELS |
|------------------------|----------------|--------|-----|---------------------------|--------------------------|---|
| | | | | YCAV0157, AND YCAV0569 | YCAV0177 AND YCAV0639 | YCAV0187, 0197, 0679 AND YCAV0719 |
| ALUMINUM COILS | | | | | | |
| 1 | Coil Assembly* | Sys 1 | 1 | 375-55356-001 | 375-55350-001 | 375-55350-001 |
| 2 | | | 1 | 375-55356-002 | 375-55350-002 | 375-55350-002 |
| 3 | | Sys 2 | 1 | 375-55356-003 | 375-55356-003 | 375-55350-003 |
| 4 | | | 1 | 375-55356-004 | 375-55356-004 | 375-55350-004 |
| COPPER COILS | | | | | | |
| 1 | Coil Assembly* | Sys 1 | 1 | 375-55356-005 | 375-55350-005 | 375-55350-005 |
| 2 | | | 1 | 375-55356-006 | 375-55350-006 | 375-55350-006 |
| 3 | | Sys 2 | 1 | 375-55356-007 | 375-55356-007 | 375-55350-007 |
| 4 | | | 1 | 375-55356-008 | 375-55356-008 | 375-55350-008 |
| BLACK FIN COILS | | | | | | |
| 1 | Coil Assembly* | Sys 1 | 1 | 375-55356-009 | 375-55350-009 | 375-55350-009 |
| 2 | | | 1 | 375-55356-010 | 375-55350-010 | 375-55350-010 |
| 3 | | Sys 2 | 1 | 375-55356-011 | 375-55356-011 | 375-55350-011 |
| 4 | | | 1 | 375-55356-012 | 375-55356-012 | 375-55350-012 |
| PHENOLIC COILS | | | | | | |
| 1 | Coil Assembly* | Sys 1 | 1 | 375-58328-001 | 375-58328-005 | 375-58328-005 |
| 2 | | | 1 | 375-58328-002 | 375-58328-006 | 375-58328-006 |
| 3 | | Sys 2 | 1 | 375-58328-003 | 375-58328-003 | 375-58328-007 |
| 4 | | | 1 | 375-58328-004 | 375-58328-004 | 375-58328-008 |

***Note:** Coil Assembly includes coil and headers.

CONDENSER COIL COMPONENTS (CONT'D)

TABLE 2A (CONT'D) – CONDENSER COIL COMPONENTS - HIGH EFFICIENCY 'PIN 9 = E OR V' (SEE FIG. 2, PAGE 9)

| ITEM NUMBER | DESCRIPTION | SYSTEM | QTY | MODELS YCAV0207 AND YCAV0739 | MODELS YCAV0227, 0247, 0819 AND YCAV0889 |
|---------------------------|----------------|--------|-----|------------------------------------|---|
| ALUMINUM FIN COILS | | | | | |
| 1 | Coil Assembly* | Sys 1 | 1 | 375-54395-001 | 375-54395-001 |
| 2 | | | 1 | 375-54395-002 | 375-54395-002 |
| 3 | | Sys 2 | 1 | 375-55350-003 | 375-54395-003 |
| 4 | | | 1 | 375-55350-004 | 375-54395-004 |
| BLACK FIN COILS | | | | | |
| 1 | Coil Assembly* | Sys 1 | 1 | 375-54395-005 | 375-54395-005 |
| 2 | | | 1 | 375-54395-006 | 375-54395-006 |
| 3 | | Sys 2 | 1 | 375-55350-007 | 375-54395-007 |
| 4 | | | 1 | 375-55350-008 | 375-54395-008 |
| PHENOLIC COILS | | | | | |
| 1 | Coil Assembly* | Sys 1 | 1 | 375-54395-009 | 375-54395-009 |
| 2 | | | 1 | 375-54395-010 | 375-54395-010 |
| 3 | | Sys 2 | 1 | 375-55350-011 | 375-54395-011 |
| 4 | | | 1 | 375-55350-012 | 375-54395-012 |
| COPPER COILS | | | | | |
| 1 | Coil Assembly* | Sys 1 | 1 | 375-58328-009 | 375-58328-009 |
| 2 | | | 1 | 375-58328-010 | 375-58328-010 |
| 3 | | Sys 2 | 1 | 375-58328-007 | 375-58328-011 |
| 4 | | | 1 | 375-58328-008 | 375-58328-012 |

***Note:** Coil Assembly includes coil and headers.

