



AIR-COOLED SCREW LIQUID CHILLERS

RENEWAL PARTS

Supercedes: 201.21-RP3 (108)

Form: 201.21-RP3 (413)

**MODELS YCAV0267, 0287, 0307, 0327, 0357, 0397, 0417,
0457, 0477, 0507 and YCAV0527**

60 HERTZ

**MODELS YCAV0969, 1039, 1139, 1169, 1309, 1429,
1549, 1649, 1739, 1829 and YCAV1909**

50 HERTZ

STYLE "A"



Unit-7a


LATITUDE™



200-3-60
230-3-60
315-3-60
460-3-60
380/415-3-50
575-3-60

MODELS ONLY



260 - 520 TON
R-134a

Issue Date:
April 22, 2013



IMPORTANT!

READ BEFORE PROCEEDING!

GENERAL SAFETY GUIDELINES

This equipment is a relatively complicated apparatus. During installation, operation maintenance or service, individuals may be exposed to certain components or conditions including, but not limited to: refrigerants, materials under pressure, rotating components, and both high and low voltage. Each of these items has the potential, if misused or handled improperly, to cause bodily injury or death. It is the obligation and responsibility of operating/service personnel to identify and recognize these inherent hazards, protect themselves, and proceed safely in completing their tasks. Failure to comply with any of these requirements could result in serious damage to the equipment and the property in

which it is situated, as well as severe personal injury or death to themselves and people at the site.

This document is intended for use by owner-authorized operating/service personnel. It is expected that these individuals possess independent training that will enable them to perform their assigned tasks properly and safely. It is essential that, prior to performing any task on this equipment, this individual shall have read and understood this document and any referenced materials. This individual shall also be familiar with and comply with all applicable governmental standards and regulations pertaining to the task in question.

SAFETY SYMBOLS

The following symbols are used in this document to alert the reader to specific situations:



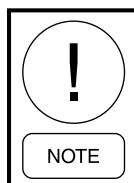
Indicates a possible hazardous situation which will result in death or serious injury if proper care is not taken.



Identifies a hazard which could lead to damage to the machine, damage to other equipment and/or environmental pollution if proper care is not taken or instructions are not followed.



Indicates a potentially hazardous situation which will result in possible injuries or damage to equipment if proper care is not taken.



Highlights additional information useful to the technician in completing the work being performed properly.



External wiring, unless specified as an optional connection in the manufacturer's product line, is not to be connected inside the control cabinet. Devices such as relays, switches, transducers and controls and any external wiring must not be installed inside the micro panel. All wiring must be in accordance with Johnson Controls' published specifications and must be performed only by a qualified electrician. Johnson Controls will NOT be responsible for damage/problems resulting from improper connections to the controls or application of improper control signals. Failure to follow this warning will void the manufacturer's warranty and cause serious damage to property or personal injury.

CHANGEABILITY OF THIS DOCUMENT

In complying with Johnson Controls' policy for continuous product improvement, the information contained in this document is subject to change without notice. Johnson Controls makes no commitment to update or provide current information automatically to the manual owner. Updated manuals, if applicable, can be obtained by contacting the nearest Johnson Controls Service office or accessing the Johnson Controls QuickLIT website at <http://cgproducts.johnsoncontrols.com>.

Operating/service personnel maintain responsibility for the applicability of these documents to the equipment. If there is any question regarding the applicability of

these documents, the technician should verify whether the equipment has been modified and if current literature is available from the owner of the equipment prior to performing any work on the chiller.

CHANGE BARS

Revisions made to this document are indicated with a line along the left or right hand column in the area the revision was made. These revisions are to technical information and any other changes in spelling, grammar or formatting are not included.

ASSOCIATED LITERATURE

MANUAL DESCRIPTION	FORM NUMBER
Unit Installation	201.21-NM2
Chiller Long Term Storage	50.20-NM7
Unit Wiring and Field Control Modifications	201.21-W3
All Products - Replacement Parts Electrical Connectors	50.20-RP1
All Products - Replacement Parts Fittings	50.20-RP2

TABLE OF CONTENTS

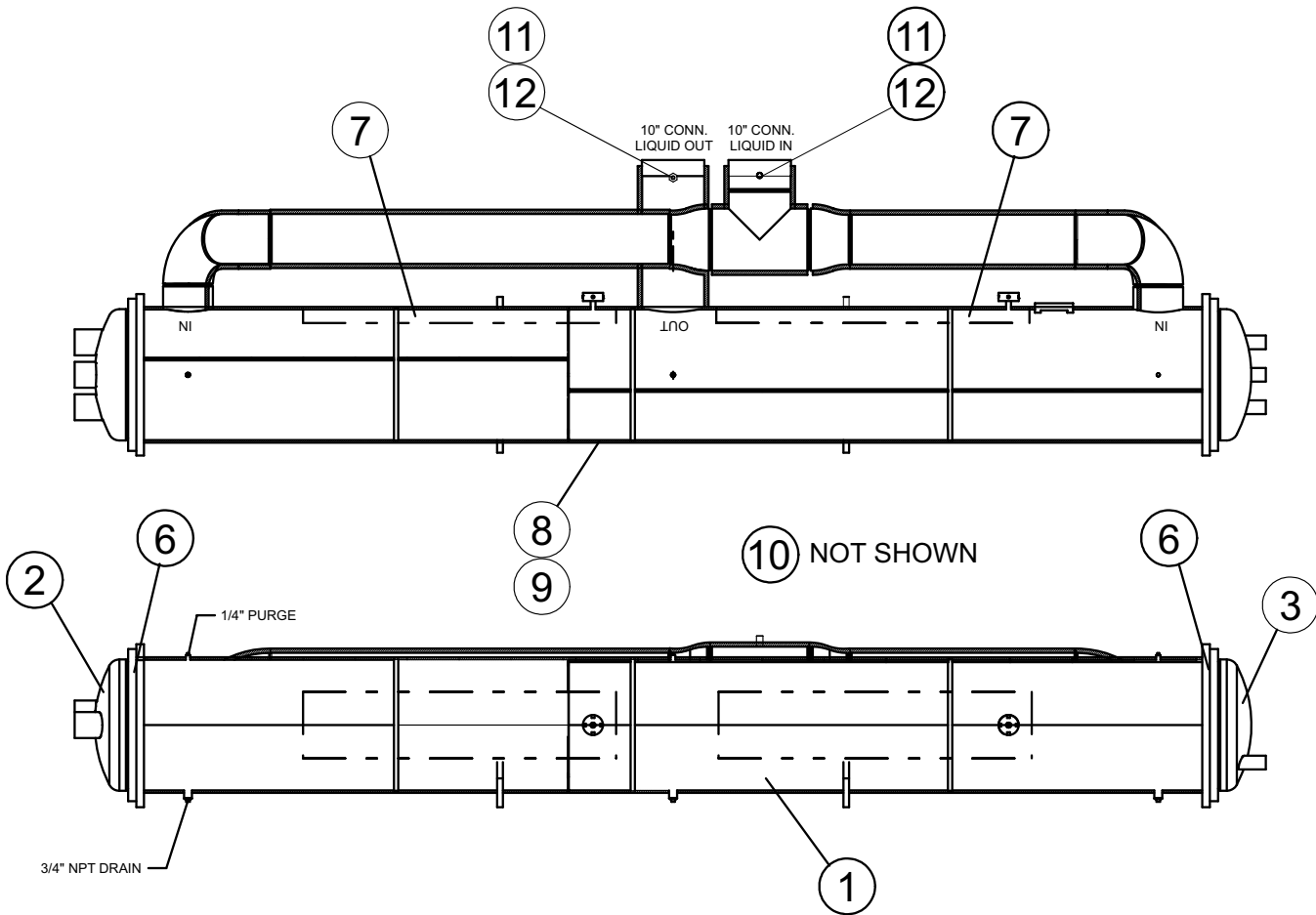
	<u>PAGE</u>
UNIT NOMENCLATURE NAMEPLATE ENGINEERING DATA	4
EVAPORATOR	
EVAPORATOR COMPONENTS	6
CONDENSER COILS	
CONDENSER COIL COMPONENTS	9
FAN	
FAN COMPONENTS.....	16
PIPING	
REFRIGERANT PIPING COMPONENTS.....	17
GLYCOL LOOP COMPONENTS	30
COMPRESSOR	
COMPRESSOR	32
VARIABLE SPEED DRIVE	
CONTROL AND VARIABLE SPEED DRIVE PANEL CONFIGURATION.....	36
VARIABLE SPEED DRIVE PANEL COMPONENTS.....	38
VARIABLE SPEED DRIVE POWER ASSEMBLY COMPONENTS	58
VARIABLE SPEED DRIVE FAN ASSEMBLY COMPONENTS	62
PLUG AND JUMPER ARRANGEMENT.....	64
SENSOR HARNESSES.....	66
TRANSDUCERS AND TEMP SENSORS	76
TRANSDUCER AND THERMISTOR WIRE HARNESS CONNECTORS	78
CHILLER OPTIONS	
VIBRATION ISOLATORS	79
YCAV CHILLER OPTIONS - KITS	80
ENCLOSURE KIT OPTIONS	81
RECOMMENDED SPARE PARTS.....	89

EVAPORATOR COMPONENTS

Service Note:

Pin location 38 in Model Number will be "X" for 150# DWP Cooler.

Pin location 38 in Model Number will be "3" for 300# DWP Cooler.



Service Note:

Standard 150# DWP Cooler Flow Switch - 024-26116-000

Optional 300# DWP Cooler Flow Switch - 024-12144-000

Differential Pressure Switch - 025-30919-000

FIGURE 1 - EVAPORATOR COMPONENTS (REF. TABLES 1 AND 2, PAGES 7 AND 8)

EVAPORATOR COMPONENTS (CONT'D)

TABLE 1 - EVAPORATOR COMPONENTS - STANDARD EFFICIENCY 'PIN 9 = S OR P'
(SEE FIG. 1, PAGE 6)

ITEM NUMBER	QTY PER UNIT	DESCRIPTION	DWP	UNIT MODELS YCAV0287 AND YCAV1039	UNIT MODELS YCAV0307, 1139, 0357, 1309, 0397 AND YCAV1429
1	1	Evaporator, Fully Insulated with Heater	ALL	375-71074-001	375-76018-001
	1	Evaporator, less Heater & Insulation	ALL	375-71075-000	375-76019-000
2	1	Head, Connection End	ALL	375-71043-000	375-76022-000
3	1	Head, Back End	ALL	375-71044-000	375-76023-000
6	4	Gasket, Head (Neoprene)	ALL	075-59398-000	075-76021-000
6A*	10 ft.	Gasket, Bulb	ALL	N/A	028-15372-000
	4 ft.	Gasket, Channel			028-15138-000
7	2	Heater, Cooler 280 Watt	ALL	025-22691-000	025-22691-000
8	-	Insulation (3/4"x49"x65")	ALL	010-05997-000	010-05997-000
9	-	Insulation (1 1/2"x49"x65")		010-05998-000	010-05998-000
10	1 qt.	Adhesive (Use with #6)	ALL	013-03311-000	
11	2	Sensor, Water Temperature	ALL	025-40334-000	025-40334-000
12	2	Well, Thermo	ALL	026-33627-000	026-33427-000

ITEM NUMBER	QTY PER UNIT	DESCRIPTION	DWP	UNIT MODELS YCAV0417, 1549, 0457 AND YCAV1649	UNIT MODELS YCAV0477, 1739, 0507, 1829, 0527 AND YCAV1909
1	1	Evaporator, Fully Insulated with Heater	ALL	375-76033-001	375-76027-001
	1	Evaporator, less Heater & Insulation	ALL	375-76034-000	375-76028-000
2	1	Head, Connection End	ALL	375-76035-000	375-76032-000
3	1	Head, Back End	ALL	375-76036-000	375-76031-000
6	2	Gasket, Front Head	ALL	075-76030-000	075-76025-000
	2	Gasket, Back End Head		075-76030-001	075-76025-001
6A*	15 ft.	Gasket, Bulb	ALL	028-15379-000	028-15364-000
	6 ft.	Gasket, Channel		028-15138-000	028-15138-000
7	2	Heater, Cooler 280 Watt	ALL	025-22691-000	025-22691-000
8	-	Insulation (3/4"x49"x65")	ALL	010-05997-000	010-05997-000
9	-	Insulation (1 1/2"x49"x65")		010-05998-000	010-05998-000
10	1 qt.	Adhesive (Use with #6)	ALL	013-03311-000	
11	2	Sensor, Water Temperature	ALL	025-40334-000	025-40334-000
12	2	Well, Thermo	ALL	026-33627-000	026-33627-000

***Note:** Bulb and Channel Gaskets (Item 6A) are obsolete and were replaced by the Neoprene Gasket (Item 6).

EVAPORATOR COMPONENTS (CONT'D)

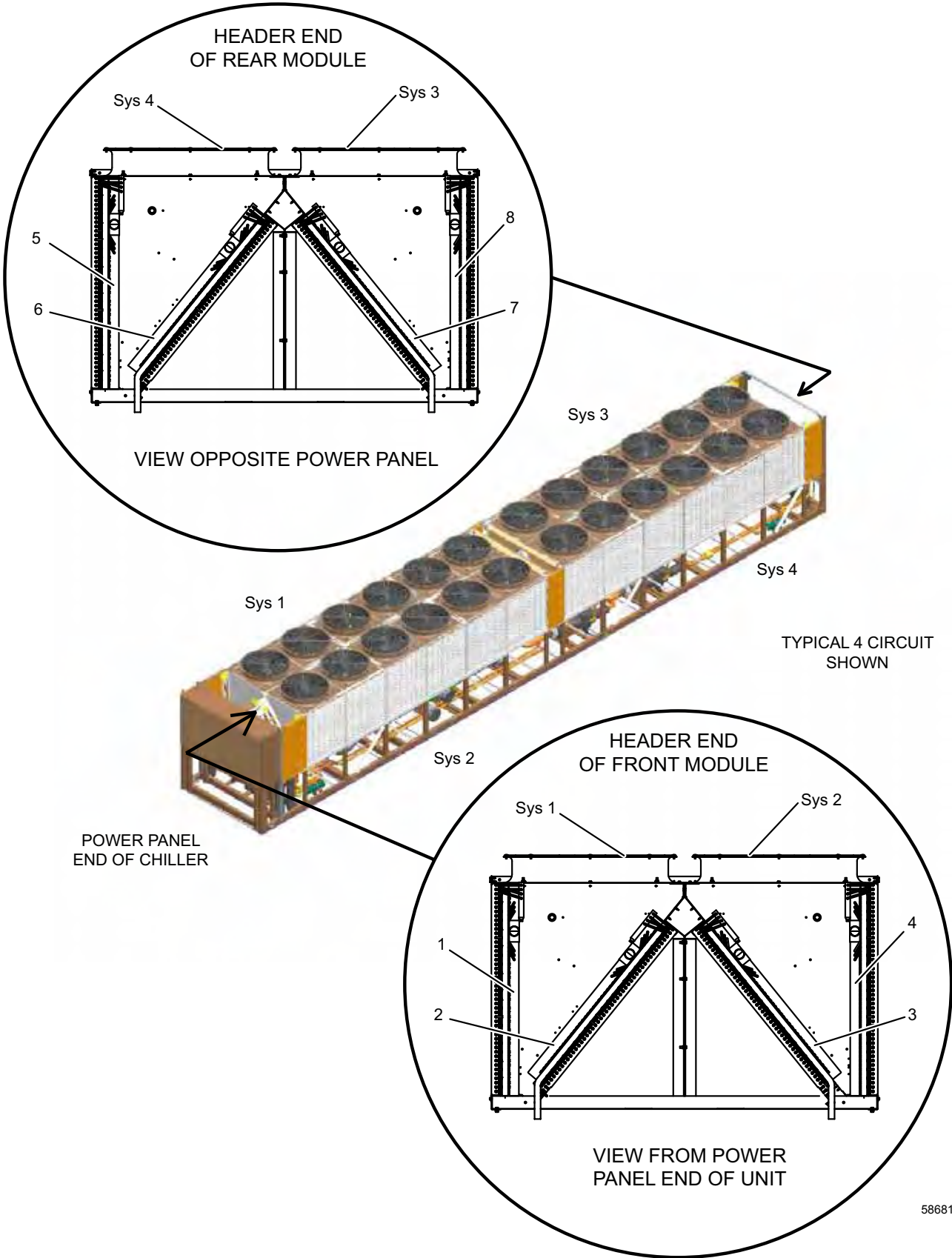
TABLE 2 - EVAPORATOR COMPONENTS - HIGH EFFICIENCY 'PIN 9 = E OR V' (SEE FIG. 1, PAGE 6)

ITEM NUMBER	QTY PER UNIT	DESCRIPTION	DWP	UNIT MODELS YCAV0267, 0969, 0287 AND YCAV1039	UNIT MODELS YCAV0327, 1169, 0357 AND YCAV1309
1	1	Evaporator, Fully Insulated with Heater	ALL	375-71074-001	375-76018-001
	1	Evaporator, less Heater & Insulation	ALL	375-71075-000	375-76019-000
2	1	Head, Connection End	ALL	375-71043-000	375-76022-000
3	1	Head, Back End	ALL	375-71044-000	375-76023-000
6	4	Gasket, Head (Neoprene)	ALL	075-59398-000	075-76021-000
6A*	10 ft.	Gasket, Bulb	ALL	N/A	028-15372-000
	4 ft.	Gasket, Channel			028-15138-000
7	2	Heater, Cooler 280 Watt	ALL	025-22691-000	025-22691-000
8	-	Insulation (3/4"x49"x65")	ALL	010-05997-000	010-05997-000
9	-	Insulation (1 1/2"x49"x65")		010-05998-000	010-05998-000
10	1 qt.	Adhesive (Use with #6)	ALL	013-03311-000	
11	2	Sensor, Water Temperature	ALL	025-40334-000	025-40334-000
12	2	Well, Thermo	ALL	026-33627-000	026-33427-000

ITEM NUMBER	QTY PER UNIT	DESCRIPTION	DWP	UNIT MODELS YCAV0397 AND YCAV1429	UNIT MODELS YCAV0417, 1549, 0477 AND YCAV1739
1	1	Evaporator, Fully Insulated with Heater	ALL	375-76033-001	375-76027-001
	1	Evaporator, less Heater & Insulation	ALL	375-76034-000	375-76028-000
2	1	Head, Connection End	ALL	375-76035-000	375-76032-000
3	1	Head, Back End	ALL	375-76036-000	375-76031-000
6	2	Gasket, Front Head	ALL	075-76030-000	075-76025-000
	2	Gasket, Back End Head		075-76030-001	075-76025-001
6A*	15 ft.	Gasket, Bulb	ALL	028-15379-000	028-15364-000
	6 ft.	Gasket, Channel		028-15138-000	028-15138-000
7	2	Heater, Cooler 280 Watt	ALL	025-22691-000	025-22691-000
8	-	Insulation (3/4"x49"x65")	ALL	010-05997-000	010-05997-000
9	-	Insulation (1 1/2"x49"x65")		010-05998-000	010-05998-000
10	1 qt.	Adhesive (Use with #6)	ALL	013-03311-000	
11	2	Sensor, Water Temperature	ALL	025-40334-000	025-40334-000
12	2	Well, Thermo	ALL	026-33627-000	026-33627-000

*Note: Bulb and Channel Gaskets (Item 6A) are obsolete and were replaced by the Neoprene Gasket (Item 6).

CONDENSER COIL COMPONENTS



58681-01a

FIGURE 2 - CONDENSER COIL COMPONENTS (REF. TABLES 2 AND 2A, PAGES 10 THRU 14)

CONDENSER COIL COMPONENTS (CONT'D)

TABLE 3 - CONDENSER COIL COMPONENTS - STANDARD 'PIN 9 = S OR P' (SEE FIG. 2, PAGE 9)

ITEM NUMBER	DESCRIPTION	SYSTEM	QTY	MODELS YCAV0287 AND YCAV1039	MODELS YCAV0307 AND YCAV1139	MODELS YCAV0357 AND YCAV1309	MODELS YCAV0397 AND YCAV1429
ALUMINUM COILS - 'PIN 45 = X'							
1	Coil Assembly Front Module*	Sys 1	1	375-55350-001	375-55350-001	375-55350-001	375-54395-001
2			1	375-55350-002	375-55350-002	375-55350-002	375-54395-002
3		Sys 2	1	375-55356-003	375-55350-003	375-55350-003	375-54395-003
4			1	375-55356-004	375-55350-004	375-55350-004	375-54395-004
5	Coil Assembly Rear Module*	Sys 3	1	375-51010-001	375-51010-001	375-51014-001	375-51014-001
6			1	375-51010-002	375-51010-002	375-51014-002	375-51014-002
7			1	375-51010-004	375-51010-004	375-51014-004	375-51014-004
8			1	375-51010-003	375-51010-003	375-51014-003	375-51014-003
COPPER COILS - 'PIN 45 = C'							
1	Coil Assembly Front Module*	Sys 1	1	375-55350-005	375-55350-005	375-55350-005	375-54395-005
2			1	375-55350-006	375-55350-006	375-55350-006	375-54395-006
3		Sys 2	1	375-55356-007	375-55350-007	375-55350-007	375-54395-007
4			1	375-55356-008	375-55350-008	375-55350-008	375-54395-008
5	Coil Assembly Rear Module*	Sys 3	1	375-51010-005	375-51010-005	375-51014-005	375-51014-005
6			1	375-51010-006	375-51010-006	375-51014-006	375-51014-006
7			1	375-51010-008	375-51010-008	375-51014-008	375-51014-008
8			1	375-51010-007	375-51010-007	375-51014-007	375-51014-007
BLACK FIN COILS - 'PIN 45 = B'							
1	Coil Assembly Front Module*	Sys 1	1	375-55350-009	375-55350-009	375-55350-009	375-54395-009
2			1	375-55350-010	375-55350-010	375-55350-010	375-54395-010
3		Sys 2	1	375-55356-011	375-55350-011	375-55350-011	375-54395-011
4			1	375-55356-012	375-55350-012	375-55350-012	375-54395-012
5	Coil Assembly Rear Module*	Sys 3	1	375-51010-009	375-51010-009	375-51014-009	375-51014-009
6			1	375-51010-010	375-51010-010	375-51014-010	375-51014-010
7			1	375-51010-012	375-51010-012	375-51014-012	375-51014-012
8			1	375-51010-011	375-51010-011	375-51014-011	375-51014-011
PHENOLIC COILS - 'PIN 45 = P'							
1	Coil Assembly Front Module*	Sys 1	1	375-58328-005	375-58328-005	375-58328-005	375-58328-009
2			1	375-58328-006	375-58328-006	375-58328-006	375-58328-010
3		Sys 2	1	375-58328-004	375-58328-008	375-58328-008	375-58328-012
4			1	375-58328-003	375-58328-007	375-58328-007	375-58328-011
5	Coil Assembly Rear Module*	Sys 3	1	375-58328-013	375-58328-013	375-58328-017	375-58328-017
6			1	375-58328-014	375-58328-014	375-58328-018	375-58328-018
7			1	375-58328-016	375-58328-016	375-58328-020	375-58328-020
8			1	375-58328-015	375-58328-015	375-58328-019	375-58328-019

*Note: Coil Assembly includes coil and headers.

CONDENSER COIL COMPONENTS (CONT'D)

TABLE 3 – CONDENSER COIL COMPONENTS - STANDARD 'PIN 9 = S OR P'
(SEE FIG. 2, PAGE 9) (CONT'D)

ITEM NUMBER	DESCRIPTION	SYSTEM	QTY	MODELS YCAV0417 AND YCAV1549	MODELS YCAV0457 AND YCAV1649	MODELS YCAV0477 AND YCAV1739
ALUMINUM FIN COILS - 'PIN 45 = X'						
1	Coil Assembly Front Module*	Sys 1	1	375-55350-001	375-54395-001	375-54395-001
2			1	375-55350-002	375-54395-002	375-54395-002
3		Sys 2	1	375-55350-003	375-55350-003	375-54395-003
4			1	375-55350-004	375-55350-004	375-54395-004
5	Coil Assembly Rear Module*	Sys 3	1	375-55350-001	375-55350-001	375-55350-001
6			1	375-55350-022	375-55350-022	375-55350-022
7		Sys 4	1	375-55350-004	375-55350-004	375-55350-004
8			1	375-55350-0023	375-55350-023	375-55350-023
COPPER COILS - 'PIN 45 = C'						
1	Coil Assembly Front Module*	Sys 1	1	375-55350-005	375-54395-005	375-54395-005
2			1	375-55350-006	375-54395-006	375-54395-006
3		Sys 2	1	375-55350-007	375-55350-007	375-54395-007
4			1	375-55350-008	375-55350-008	375-54395-008
5	Coil Assembly Rear Module*	Sys 3	1	375-54395-005	375-55350-005	375-55350-005
6			1	375-54395-026	375-55350-026	375-55350-026
7		Sys 4	1	375-54395-008	375-55350-008	375-55350-008
8			1	375-54395-027	375-55350-027	375-55350-027
BLACK FIN COILS - 'PIN 45 = B'						
1	Coil Assembly Front Module*	Sys 1	1	375-55350-009	375-54395-009	375-54395-009
2			1	375-55350-010	375-54395-010	375-54395-010
3		Sys 2	1	375-55350-011	375-55350-011	375-54395-011
4			1	375-55350-012	375-55350-012	375-54395-012
5	Coil Assembly Rear Module*	Sys 3	1	375-55350-009	375-55350-009	375-55350-009
6			1	375-55350-020	375-55350-020	375-55350-020
7		Sys 4	1	375-55350-012	375-55350-012	375-55350-012
8			1	375-55350-021	375-55350-021	375-55350-021
PHENOLIC COILS - 'PIN 45 = P'						
1	Coil Assembly Front Module*	Sys 1	1	375-58328-005	375-58328-009	375-58328-009
2			1	375-58328-006	375-58328-010	375-58328-010
3		Sys 2	1	375-58328-007	375-58328-007	375-58328-011
4			1	375-58328-008	375-58328-008	375-58328-012
5	Coil Assembly Rear Module*	Sys 3	1	375-58328-005	375-58328-005	375-58328-005
6			1	375-58328-026	375-58328-006	375-58328-006
7		Sys 4	1	375-58328-008	375-58328-008	375-58328-008
8			1	375-58328-027	375-58328-007	375-58328-007

***Note:** Coil Assembly includes coil and headers.

CONDENSER COIL COMPONENTS (CONT'D)

TABLE 3 – CONDENSER COIL COMPONENTS - STANDARD 'PIN 9 = S OR P'
(SEE FIG. 2, PAGE 9) (CONT'D)

ITEM NUMBER	DESCRIPTION	SYSTEM	QTY	MODELS YCAV0507 AND YCAV1829	MODELS YCAV0527 AND YCAV1909
ALUMINUM FIN COILS - 'PIN 45 = X'					
1	Coil Assembly Front Module*	Sys 1	1	375-54395-001	375-54395-001
2			1	375-54395-002	375-54395-002
3		Sys 2	1	375-54395-003	375-54395-003
4			1	375-54395-004	375-54395-004
5	Coil Assembly Rear Module*	Sys 3	1	375-54395-001	375-54395-001
6			1	375-54395-022	375-54395-022
7		Sys 4	1	375-55350-004	375-54395-004
8			1	375-55350-023	375-54395-023
COPPER COILS - 'PIN 45 = C'					
1	Coil Assembly Front Module*	Sys 1	1	375-54395-005	375-54395-005
2			1	375-54395-006	375-54395-006
3		Sys 2	1	375-54395-007	375-54395-007
4			1	375-54395-008	375-54395-008
5	Coil Assembly Rear Module*	Sys 3	1	375-54395-005	375-54395-005
6			1	375-54395-026	375-54395-026
7		Sys 4	1	375-54395-008	375-54395-008
8			1	375-54395-027	375-54395-027
BLACK FIN COILS - 'PIN 45 = B'					
1	Coil Assembly Front Module*	Sys 1	1	375-54395-009	375-54395-009
2			1	375-54395-010	375-54395-010
3		Sys 2	1	375-54395-011	375-54395-011
4			1	375-54395-012	375-54395-012
5	Coil Assembly Rear Module*	Sys 3	1	375-54395-009	375-54395-009
6			1	375-54395-020	375-54395-020
7		Sys 4	1	375-55350-012	375-54395-012
8			1	375-55350-021	375-54395-021
PHENOLIC COILS - 'PIN 45 = P'					
1	Coil Assembly Front Module*	Sys 1	1	375-58328-009	375-58328-009
2			1	375-58328-010	375-58328-010
3		Sys 2	1	375-58328-011	375-58328-011
4			1	375-58328-012	375-58328-012
5	Coil Assembly Rear Module*	Sys 3	1	375-58328-009	375-58328-009
6			1	375-58328-010	375-58328-010
7		Sys 4	1	375-58328-008	375-58328-012
8			1	375-58328-027	375-58328-021

*Note: Coil Assembly includes coil and headers.

CONDENSER COIL COMPONENTS (CONT'D)

TABLE 4 - CONDENSER COIL COMPONENTS - HIGH EFFICIENCY 'PIN 9 = E OR V' (SEE FIG. 2, PAGE 9)

ITEM NUMBER	DESCRIPTION	SYSTEM	QTY	MODELS YCAV0267 AND YCAV0969	MODELS YCAV0287 AND YCAV1039	MODELS YCAV0327 AND YCAV1169	MODELS YCAV0357 AND YCAV1309
ALUMINUM FIN COILS - 'PIN 45 = X'							
1	Coil Assembly Front Module*	Sys 1	1	375-55350-001	375-55350-001	375-55350-001	375-54395-001
2			1	375-55350-002	375-55350-002	375-55350-002	375-54395-002
3		Sys 2	1	375-55350-003	375-55350-003	375-55350-003	375-54395-003
4			1	375-55350-004	375-55350-004	375-55350-004	375-54395-004
5	Coil Assembly Rear Module*	Sys 3	1	375-51010-001	375-51014-001	375-51014-001	375-51014-001
6			1	375-51010-002	375-51014-002	375-51014-002	375-51014-002
7			1	375-51010-004	375-51014-004	375-51014-004	375-51014-004
8			1	375-51010-003	375-51014-003	375-51014-003	375-51014-003
COPPER COILS - 'PIN 45 = C'							
1	Coil Assembly Front Module*	Sys 1	1	375-55350-005	375-55350-005	375-55350-005	375-54395-005
2			1	375-55350-006	375-55350-006	375-55350-006	375-54395-006
3		Sys 2	1	375-55350-007	375-55350-007	375-55350-007	375-54395-007
4			1	375-55350-008	375-55350-008	375-55350-008	375-54395-008
5	Coil Assembly Rear Module*	Sys 3	1	375-51010-005	375-51014-005	375-51014-005	375-51014-005
6			1	375-51010-006	375-51014-006	375-51014-006	375-51014-006
7			1	375-51010-008	375-51010-008	375-51014-008	375-51014-008
8			1	375-51010-007	375-51010-007	375-51014-007	375-51014-007
BLACK FIN COILS - 'PIN 45 = B'							
1	Coil Assembly Front Module*	Sys 1	1	375-55350-009	375-55350-009	375-55350-009	375-54395-009
2			1	375-55350-010	375-55350-010	375-55350-010	375-54395-010
3		Sys 2	1	375-55350-011	375-55350-011	375-55350-011	375-54395-011
4			1	375-55350-012	375-55350-012	375-55350-012	375-54395-012
5	Coil Assembly Rear Module*	Sys 3	1	375-51010-009	375-51014-009	375-51014-009	375-51014-009
6			1	375-51010-010	375-51014-010	375-51014-010	375-51014-010
7			1	375-51010-012	375-51010-012	375-51014-012	375-51014-012
8			1	375-51010-011	375-51010-011	375-51014-011	375-51014-011
PHENOLIC COILS - 'PIN 45 = P'							
1	Coil Assembly Front Module*	Sys 1	1	375-58328-005	375-58328-005	375-58328-005	375-58328-009
2			1	375-58328-006	375-58328-006	375-58328-006	375-58328-010
3		Sys 2	1	375-58328-007	375-58328-007	375-58328-007	375-58328-011
4			1	375-58328-008	375-58328-008	375-58328-008	375-58328-012
5	Coil Assembly Rear Module*	Sys 3	1	375-58328-013	375-58328-017	375-58328-017	375-58328-017
6			1	375-58328-014	375-58328-018	375-58328-018	375-58328-018
7			1	375-58328-016	375-58328-016	375-58328-020	375-58328-020
8			1	375-58328-015	375-58328-015	375-58328-019	375-58328-019

*Note: Coil Assembly includes coil and headers.

CONDENSER COIL COMPONENTS (CONT'D)

TABLE 4 – CONDENSER COIL COMPONENTS - HIGH EFFICIENCY 'PIN 9 = E OR V'
(SEE FIG. 2, PAGE 9) (CONT'D)

ITEM NUMBER	DESCRIPTION	SYSTEM	QTY	MODELS	MODELS	MODELS
				YCAV0397 AND YCAV1429	YCAV0417 AND YCAV1549	YCAV0477 AND YCAV1739
ALUMINUM COILS - 'PIN 45 = X'						
1	Coil Assembly Front Module*	Sys 1	1	375-55350-001	375-54395-001	375-54395-001
2			1	375-55350-002	375-54395-002	375-54395-002
3		Sys 2	1	375-55350-003	375-54395-003	375-54395-003
4			1	375-55350-004	375-54395-004	375-54395-004
5	Coil Assembly Rear Module*	Sys 3	1	375-55350-001	375-55350-001	375-54395-001
6			1	375-55350-022	375-55350-022	375-54395-022
7		Sys 4	1	375-55350-004	375-55350-004	375-54395-004
8			1	375-55350-023	375-55350-023	375-54395-023
COPPER COILS - 'PIN 45 = C'						
1	Coil Assembly Front Module*	Sys 1	1	375-55350-005	375-54395-005	375-54395-005
2			1	375-55350-006	375-54395-006	375-54395-006
3		Sys 2	1	375-55350-007	375-54395-007	375-54395-007
4			1	375-55350-008	375-54395-008	375-54395-008
5	Coil Assembly Rear Module*	Sys 3	1	375-55350-005	375-55350-005	375-54395-005
6			1	375-55350-026	375-55350-026	375-54395-026
7		Sys 4	1	375-55350-008	375-55350-008	375-54395-027
8			1	375-55350-027	375-55350-027	375-54395-008
BLACK FIN COILS - 'PIN 45 = B'						
1	Coil Assembly Front Module*	Sys 1	1	375-55350-009	375-54395-009	375-54395-009
2			1	375-55350-010	375-54395-010	375-54395-010
3		Sys 2	1	375-55350-011	375-54395-011	375-54395-011
4			1	375-55350-012	375-54395-012	375-54395-012
5	Coil Assembly Rear Module*	Sys 3	1	375-55350-009	375-55350-009	375-54395-009
6			1	375-55350-020	375-55350-020	375-54395-020
7		Sys 4	1	375-55350-012	375-55350-012	375-54395-012
8			1	375-55350-021	375-55350-021	375-54395-021
PHENOLIC COILS - 'PIN 45 = P'						
1	Coil Assembly Front Module*	Sys 1	1	375-58328-005	375-58328-009	375-58328-009
2			1	375-58328-006	375-58328-010	375-58328-010
3		Sys 2	1	375-58328-007	375-58328-011	375-58328-011
4			1	375-58328-008	375-58328-012	375-58328-012
5	Coil Assembly Rear Module*	Sys 3	1	375-58328-005	375-58328-005	375-58328-009
6			1	375-58328-026	375-58328-006	375-58328-010
7		Sys 4	1	375-58328-008	375-58328-008	375-58328-012
8			1	375-58328-027	375-58328-007	375-58328-021

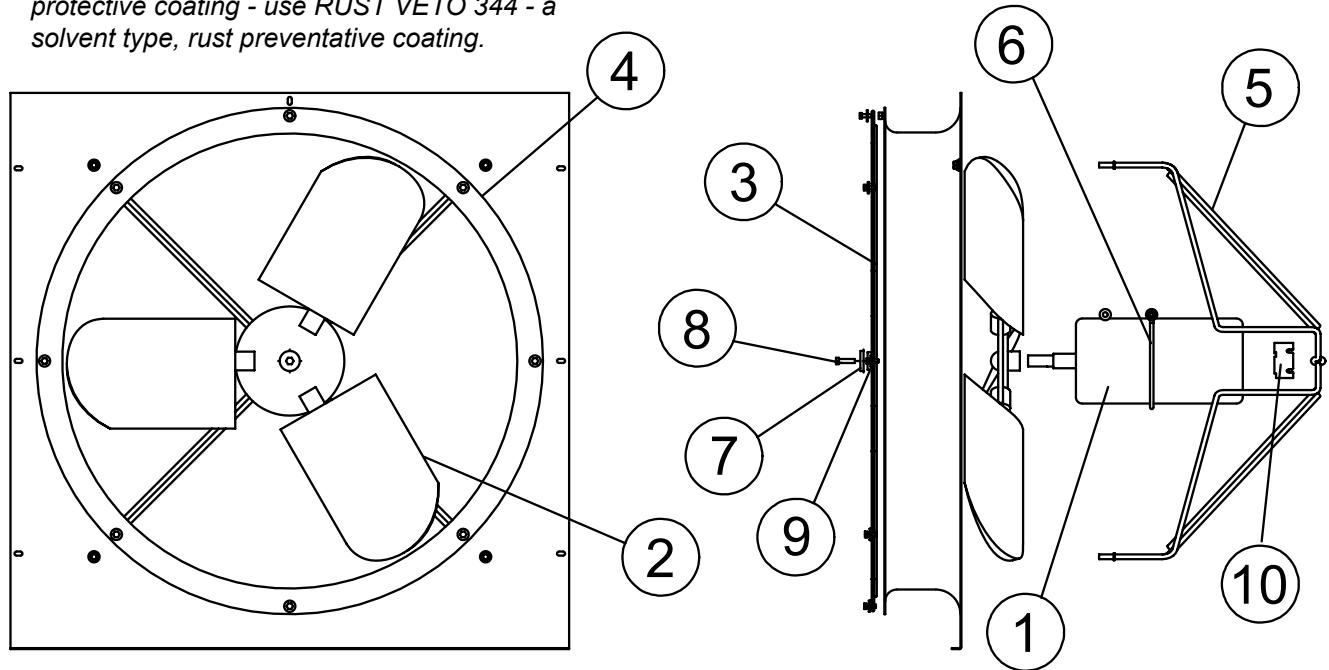
*Note: Coil Assembly includes coil and headers.

This page intentionally left blank

FAN COMPONENTS

Service Note:

Fan Hub to Shaft Joint should be sealed with protective coating - use RUST VETO 344 - a solvent type, rust preventative coating.



Service Note: Pin Location 52 in Model Number will be "X" for Standard Fan, or "L" for Low Noise Fan. See page 4.

55596-1

FIGURE 3 - FAN COMPONENTS

TABLE 5 - FAN COMPONENTS

ITEM NUMBER	DESCRIPTION	VOLTAGE CODE	FAN TYPE	
			STANDARD LOW NOISE 7/8", 1160 RPM	ULTRA LOW NOISE 7/8", 850 RPM
1 ^S	Motor, Fan 2 HP (YCAV0267-YCAV0527) (YCAV0969-YCAV1909)	-17	024-27322-007	024-34980-001
		-28		
		-40		
		-46		
		-50		
		-58	024-27322-007	
2 ^S	Blade (prior 4/2011)	All	026-41594-000	026-41942-000
	Blade (after 4/2011)			026-41943-000
3	Guard	All	026-46008-000	
4	Orifice	All	026-41609-000	
5	Support	All	026-41937-000	026-41938-000
6	Support Ring	All	026-36367-000	
7	Spacer (.375 I.D.)	All	075-29007-000	
8	Screw, Cap (M8x125)	All	021-18494-000	
9	Spacer (1.406 I.D.)	All	075-40484-000	
10	Hub, Square	60Hz	026-41939-002 (1.465")	026-41939-005 (1.125")
		50Hz	026-41939-001 (1.000")	

^S = Recommended Spare Parts

REFRIGERANT PIPING COMPONENTS

3 COMPRESSOR YCAV CHILLER MODELS

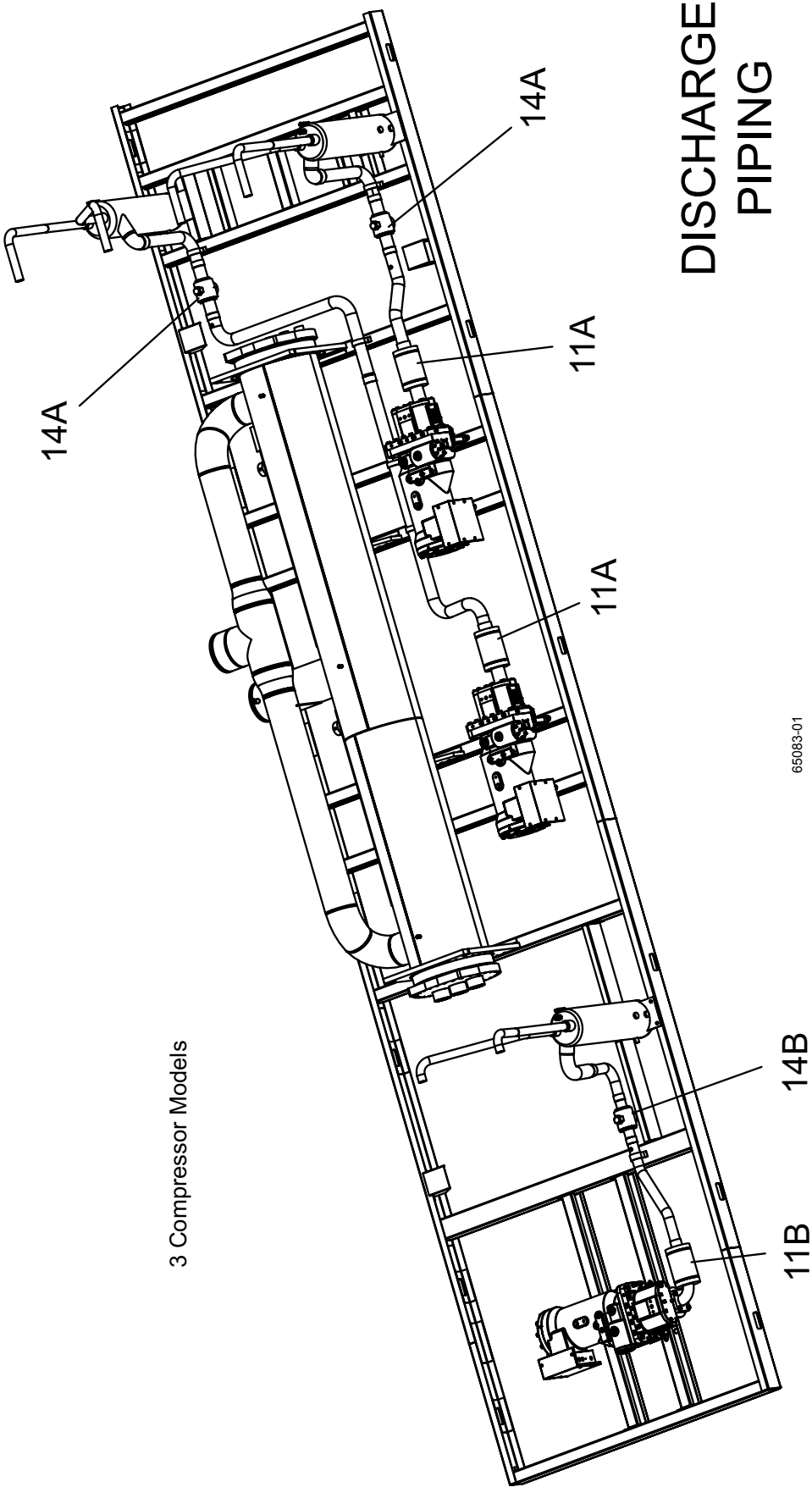
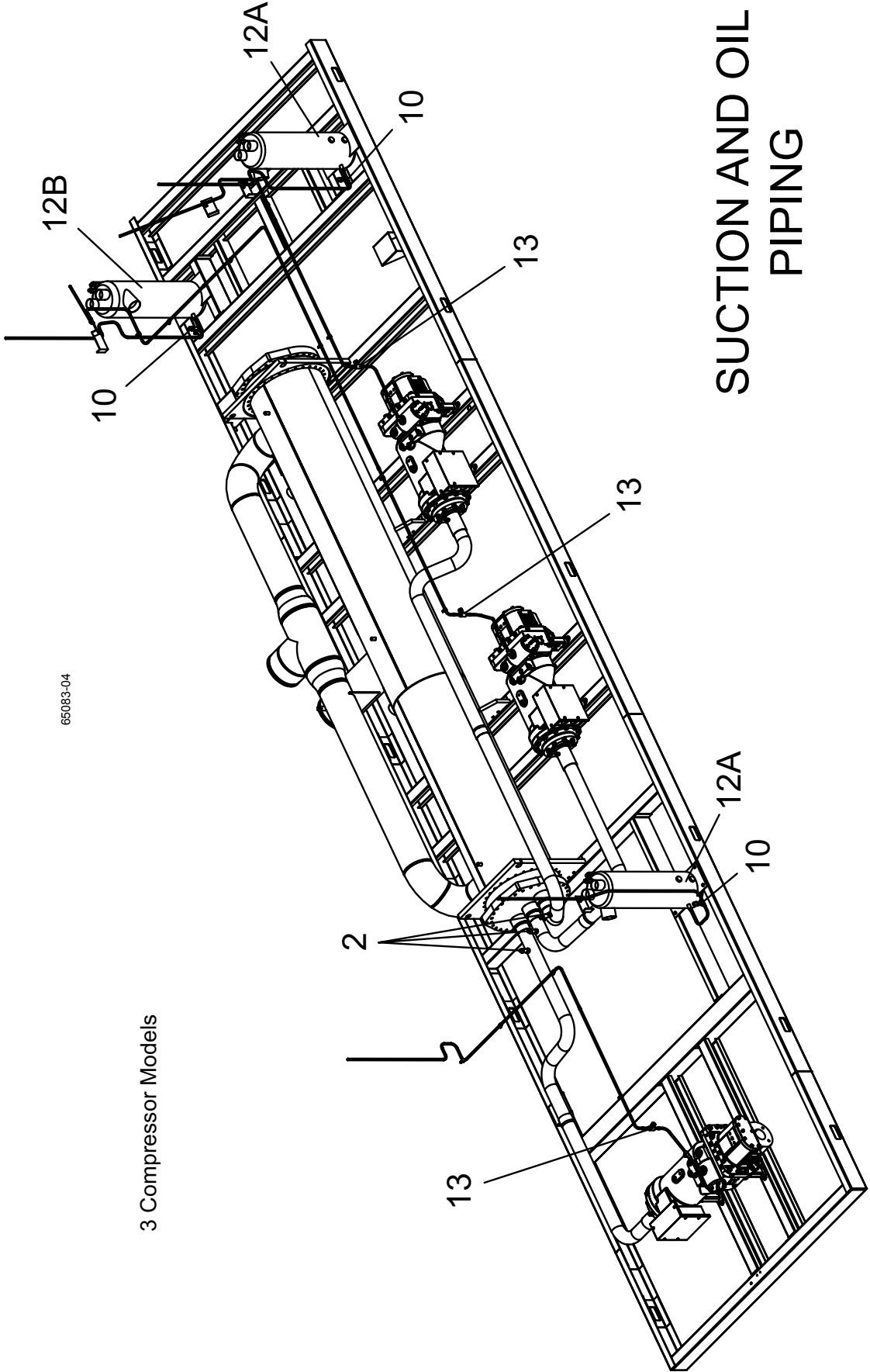


FIGURE 4 - DISCHARGE PIPING COMPONENTS - 3 COMPRESSOR MODELS (REF. TABLE 6, PAGES 21 AND 22)

Piping

REFRIGERANT PIPING COMPONENTS (CONT'D)

3 COMPRESSOR YCAV CHILLER MODELS



65083-04

3 Compressor Models

SUCTION AND OIL PIPING

FIGURE 6 - SUCTION AND OIL PIPING COMPONENTS - 3 COMPRESSOR MODELS (REF. TABLE 6, PAGES 21 AND 22)

Piping

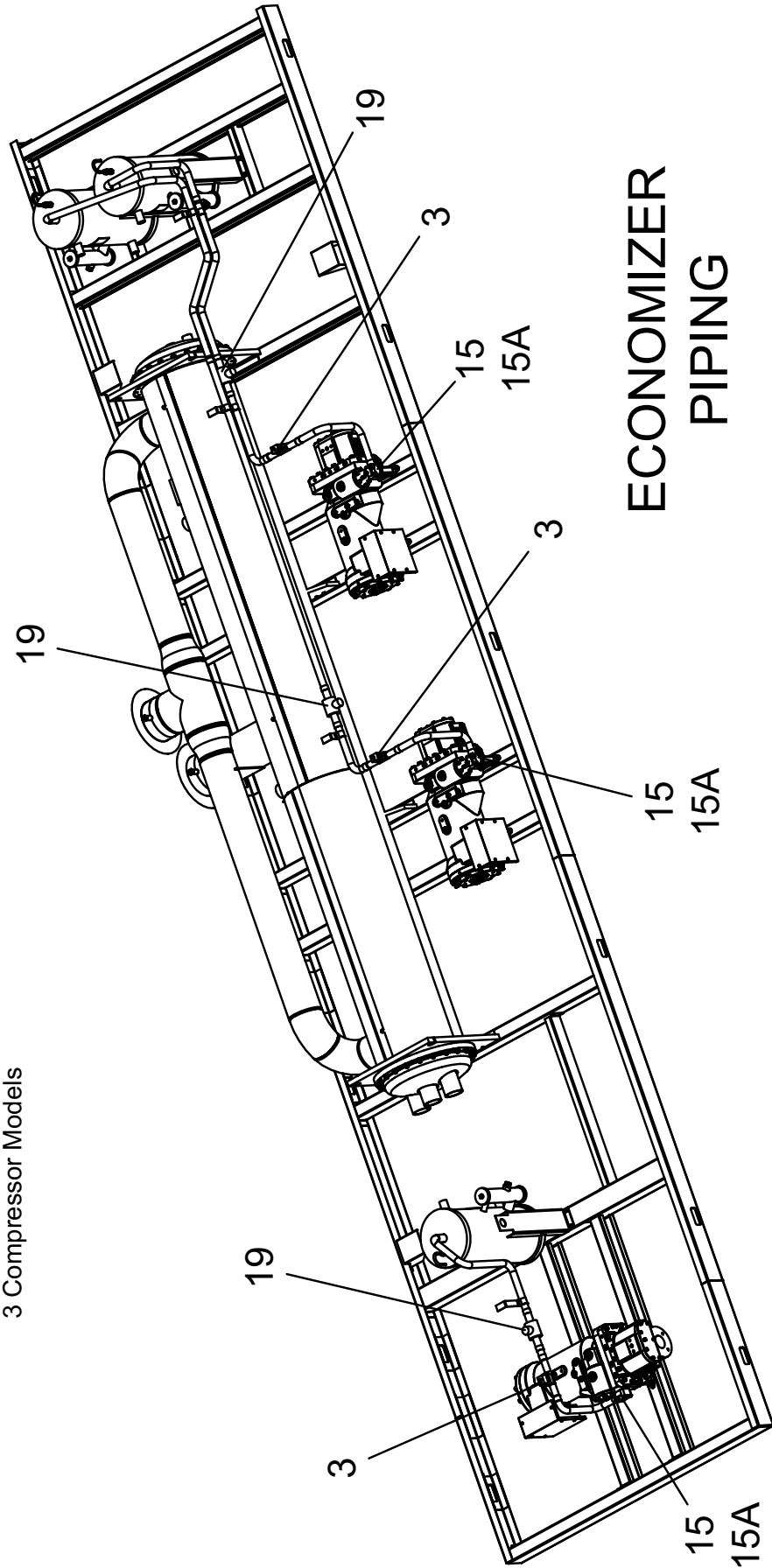
REFRIGERANT PIPING COMPONENTS (CONT'D)

3 COMPRESSOR YCAV CHILLER MODELS

Piping

61247-05

3 Compressor Models



ECONOMIZER
PIPING

FIGURE 7 - ECONOMIZER PIPING COMPONENTS - 3 COMPRESSOR MODELS (REF. TABLE 6, PAGES 21 AND 22)

REFRIGERANT PIPING COMPONENTS (CONT'D)

3 COMPRESSOR YCAV CHILLER MODELS

TABLE 6 - REFRIGERANT PIPING COMPONENTS - 3 COMPRESSOR MODELS
PIN #9 = S, P OR E, V (SEE FIGS. 4, 5, 6 AND 7, PAGES 17, 18, 19 AND 20)

ITEM NO.	QTY PER UNIT	DESCRIPTION	YCAV00267 AND YCAV0969	YCAV0287 AND YCAV1039	YCAV0307 AND YCAV1139
1 ^S	6	Valve, Drain or Feed - 90° Flow*	025-41564-000	025-41564-000	025-41564-000
	6	Valve, Drain or Feed - Straight Flow**	025-41565-000	025-41565-000	025-41565-000
2	3	Valve, Relief	022-11312-000	022-11312-000	022-11312-000
3	3	Valve, Solenoid	025-40330-000	025-40330-000	025-40330-000
4	3	Dehydrator, Body (Replacable Core)	026-16960-000	026-16960-000	026-16960-000
5 ^S	9	Core, Dehydrator	026-37540-000	026-37540-000	026-37540-000
6	3	Moisture Indicator, Body	026-32399-000	026-32399-000	026-32399-000
7	3	Moisture Indicator, Sight Glass Cap	026-32800-000	026-32800-000	026-32800-000
8	3	Valve, Liquid Stop	022-09779-000	022-09779-000	022-09779-000
9	3	Compressor	See pages 33 and 34		
10	6	Valve, Charging	022-09754-000	022-09754-000	022-09754-000
11A	2	Muffler	375-58655-000	375-58655-000	375-58655-000
11B	1		375-55738-000	375-55738-000	375-53202-000
12A	2	Oil Separator (Left) (Prior 7/2012)	075-42901-100		
		Oil Separator (Left) (After 7/2012)	026-42901-110		
12B	1	Oil Separator (Right) (Prior 7/2012)	075-42901-200		
		Oil Separator (Right) (After 7/2012)	026-42901-210		
12D	3	Sight Glass, Oil Separator (All)	026-43375-000		
12E	3	O-Ring, Sight Glass	028-15574-000		
13	3	Valve, Ball (Oil Line)	022-09172-000	022-09172-000	022-09172-000
14A	2	Ball Valve, Discharge (System 1)	022-11325-000	022-11325-000	022-11325-000
14B	1	Ball Valve, Discharge (System 2)	022-11326-000	022-11326-000	022-11325-000
15	3	Flange	022-11358-000	022-11358-000	022-11358-000
15A	3	Gasket, Flange	028-15075-159	028-15075-159	028-15075-159
16A	1	Flash Tank	375-55873-000	375-55873-000	375-55873-000
16B	2		375-54434-000	375-54434-000	375-54434-000
17	6	Valve, Relief	022-11398-000	022-11398-000	022-11398-000
18 ^S	3	Sensor, Refrig Level	025-43503-000		
19	3	Valve, Ball (Economizer)	022-08883-000	022-08883-000	022-08883-000

^S = Recommended Spare Parts



90° Flow
Drain or Feed
Valve



Straight Flow
Drain or Feed
Valve

REFRIGERANT PIPING COMPONENTS (CONT'D)

3 COMPRESSOR YCAV CHILLER MODELS

TABLE 6 – REFRIGERANT PIPING COMPONENTS - 3 COMPRESSOR MODELS PIN #9 = S, P OR E, V
(SEE FIGS. 4, 5, 6 AND 7, PAGES 17, 18, 19 AND 20) (CONT'D)

ITEM NO.	QTY PER UNIT	DESCRIPTION	YCAV0327 AND YCAV1169	YCAV0357 AND YCAV1309	YCAV0397 AND YCAV1429
1 ^S	6	Valve, Drain or Feed - 90° Flow*	025-41564-000	025-41564-000	025-41564-000
	6	Valve, Drain or Feed - Straight Flow**	025-41565-000	025-41565-000	025-41565-000
2	3	Valve, Relief	022-11312-000	022-11312-000	022-11312-000
3	3	Valve, Solenoid	025-40330-000	025-40330-000	025-40330-000
4	3	Dehydrator, Body (Replacable Core)	026-16960-000	026-16960-000	026-16960-000
5 ^S	9	Core, Dehydrator	026-37540-000	026-37540-000	026-37540-000
6	3	Moisture Indicator, Body	026-32399-000	026-32399-000	026-32399-000
7	3	Moisture Indicator, Sight Glass Cap	026-32800-000	026-32800-000	026-32800-000
8	3	Valve, Liquid Stop	022-09779-000	022-09779-000	022-09779-000
9	3	Compressor	See pages 33 and 34		
10	6	Valve, Charging	022-09754-000	022-09754-000	022-09754-000
11A	2	Muffler	375-58655-000	375-58655-000	375-58655-000
11B	1		375-53202-000	375-53202-000	375-53202-000
12A	2	Oil Separator (Left) (Prior 7/2012)	075-42901-100		
		Oil Separator (Left) (After 7/2012)	026-42901-110	PIN 9 = S or P 026-42901-110 PIN 9 = E or V 026-42901-210	
12B	1	Oil Separator (Right) (Prior 7/2012)	075-42901-200		
		Oil Separator (Right) (After 7/2012)	026-42901-210	PIN 9 = S or P 026-42901-210 PIN 9 = E or V 026-42901-310	
12D	3	Sight Glass, Oil Separator (All)	026-43375-000		
12E	3	O-Ring, Sight Glass	028-15574-000		
13	3	Valve, Ball (Oil Line)	022-09172-000	022-09172-000	022-09172-000
14A	2	Ball Valve, Discharge (System 1)	022-11325-000	022-11325-000	022-11325-000
14B	1	Ball Valve, Discharge (System 2)	022-11325-000	022-11325-000	022-11325-000
15	3	Flange	022-11358-000	022-11358-000	022-11358-000
15A	3	Gasket, Flange	028-15075-159	028-15075-159	028-15075-159
16A	1	Flash Tank	375-55873-000	375-55873-000	375-55873-000
16B	2		375-54434-000	375-54434-000	375-54434-000
17	6	Valve, Relief	022-11398-000	022-11398-000	022-11398-000
18 ^S	3	Sensor, Refrig Level	025-43503-000		
19	3	Valve, Ball (Economizer)	022-08883-000	022-08883-000	022-08883-000

^S = Recommended Spare Parts



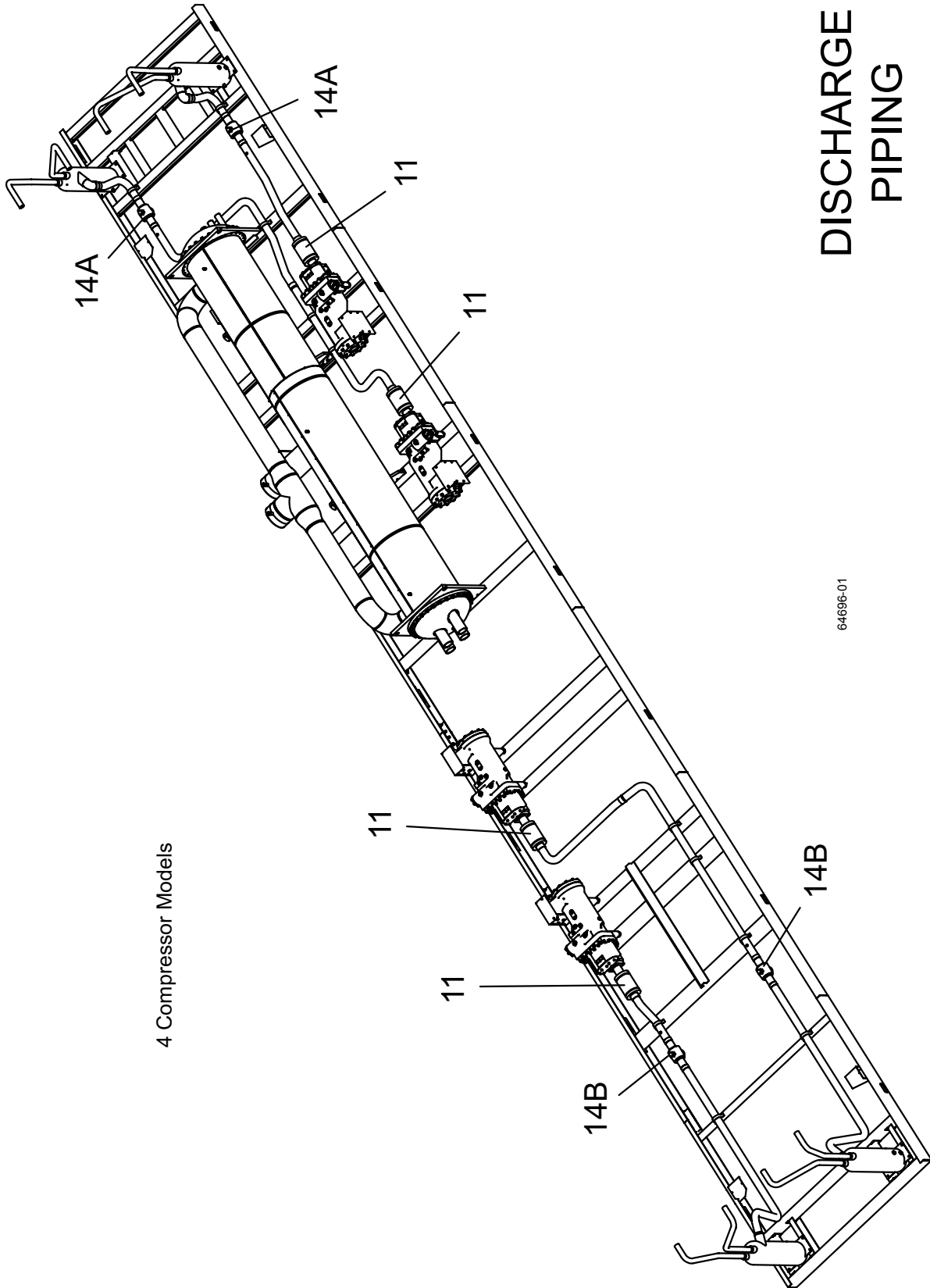
90° Flow
Drain or Feed
Valve



Straight Flow
Drain or Feed
Valve

REFRIGERANT PIPING COMPONENTS

4 COMPRESSOR YCAV CHILLER MODELS



4 Compressor Models

DISCHARGE
PIPING

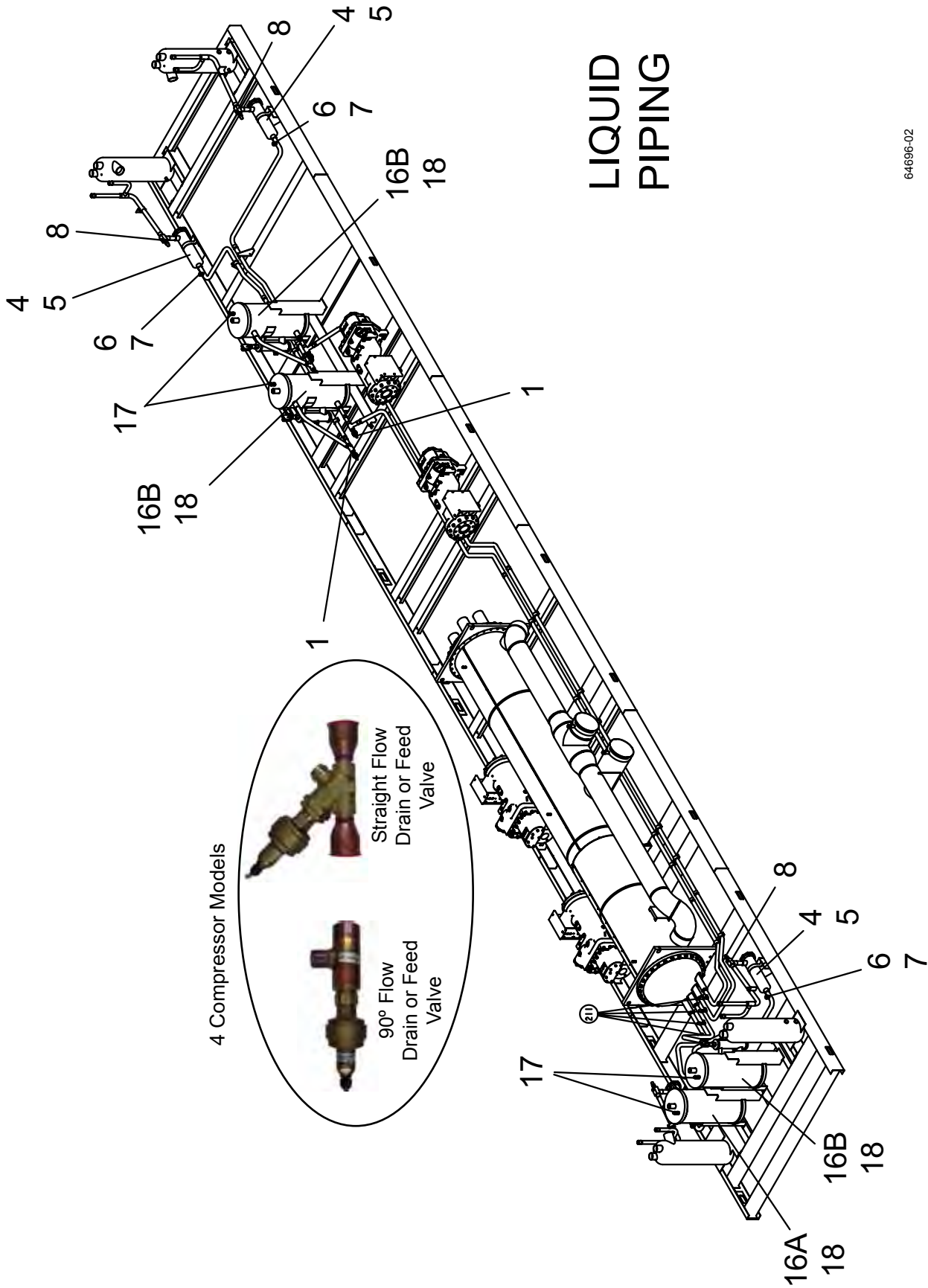
64696-01

FIGURE 8 - DISCHARGE PIPING COMPONENTS - 4 COMPRESSOR MODELS (REF. TABLE 7, PAGES 27 AND 28)

REFRIGERANT PIPING COMPONENTS (CONT'D)

4 COMPRESSOR YCAV CHILLER MODELS

Piping



64696-02

FIGURE 9 - FIG. 4E - LIQUID PIPING COMPONENTS - 4 COMPRESSOR MODELS (REF. TABLE 7, PAGES 27 AND 28)

REFRIGERANT PIPING COMPONENTS (CONT'D)

4 COMPRESSOR YCAV CHILLER MODELS

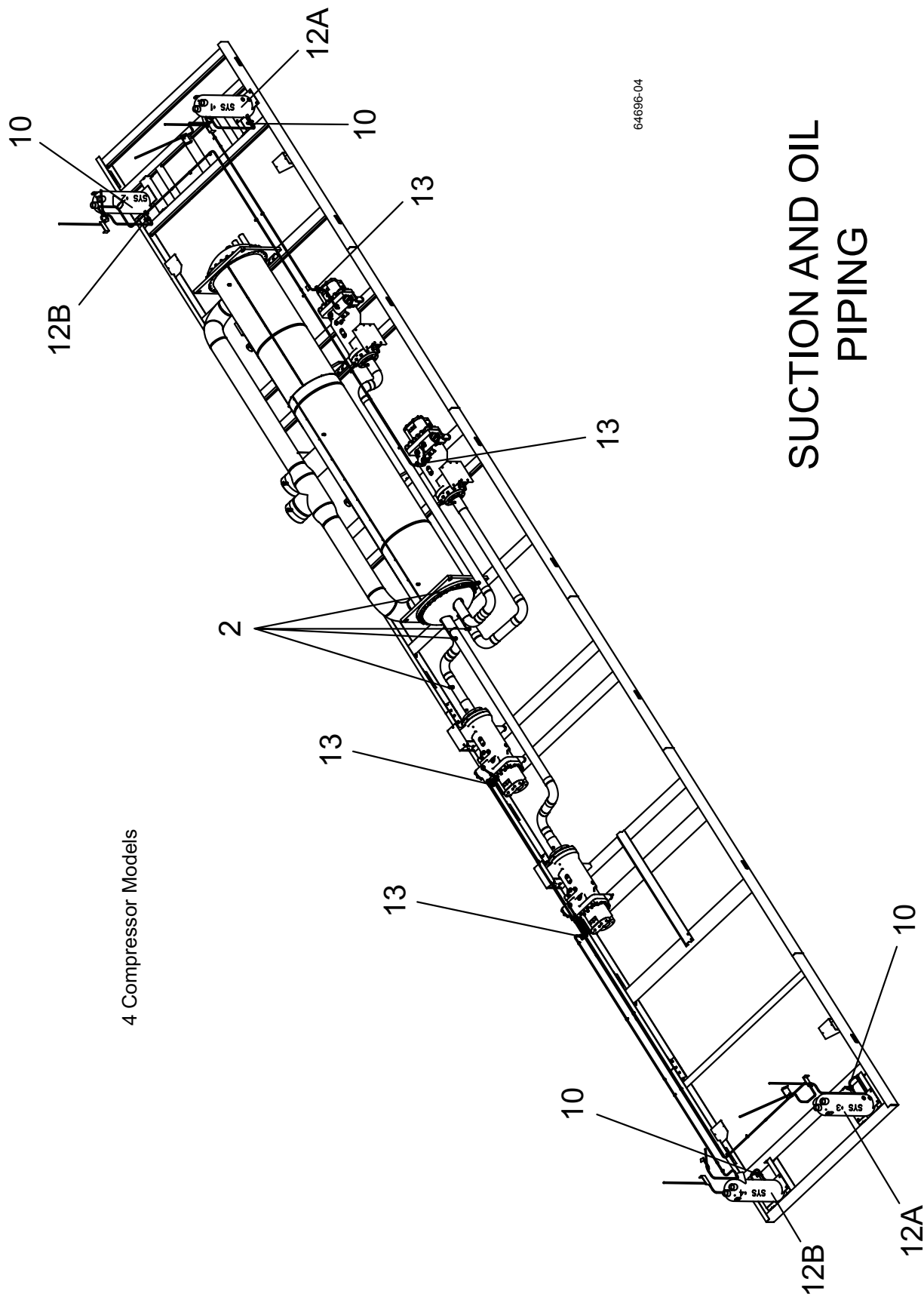


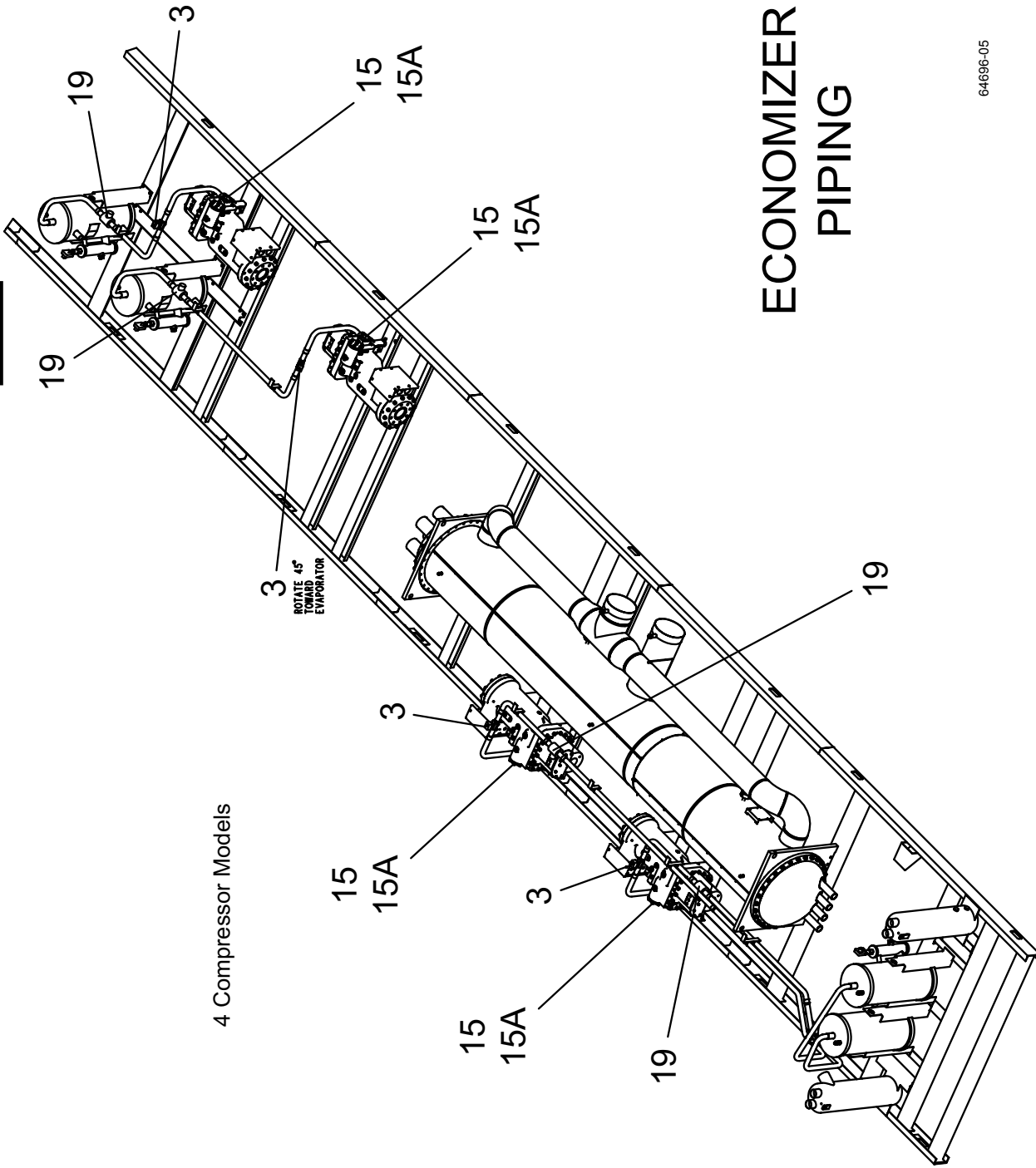
FIGURE 10 - FIG. 4F - SUCTION AND OIL PIPING COMPONENTS - 4 COMPRESSOR MODELS (REF. TABLE 7, PAGES 27 AND 28)

Piping

REFRIGERANT PIPING COMPONENTS (CONT'D)

4 COMPRESSOR YCAV CHILLER MODELS

Piping



4 Compressor Models

ECONOMIZER PIPING

64696-05

Figure 11 - FIG. 4G - ECONOMIZER PIPING COMPONENTS - 4 COMPRESSOR MODELS (REF. TABLE 7, PAGES 27 AND 28)

REFRIGERANT PIPING COMPONENTS (CONT'D)

4 COMPRESSOR YCAV CHILLER MODELS

TABLE 7 - REFRIGERANT PIPING COMPONENTS - 4 COMPRESSOR MODELS
PIN #9 = S, P OR E, V (SEE FIGS. 8, 9, 10 AND 11, PAGES 23, 24, 25 AND 26)

ITEM NO.	QTY PER UNIT	DESCRIPTION	YCAV00417 AND YCAV1549	YCAV0457 AND YCAV1649	YCAV0477 AND YCAV1739
1 ^S	8	Valve, Drain or Feed - 90° Flow*	025-41564-000	025-41564-000	025-41564-000
	8	Valve, Drain or Feed - Straight Flow**	025-41565-000	025-41565-000	025-41565-000
2	4	Valve, Relief	022-11312-000	022-11312-000	022-11312-000
3	4	Valve, Solenoid	025-40330-000	025-40330-000	025-40330-000
4	4	Dehydrator, Body (Replaceable Core)	026-16960-000	026-16960-000	026-16960-000
5 ^S	12	Core, Dehydrator	026-37540-000	026-37540-000	026-37540-000
6	4	Moisture Indicator, Body	026-32399-000	026-32399-000	026-32399-000
7	4	Moisture Indicator, Sight Glass Cap	026-32800-000	026-32800-000	026-32800-000
8	4	Valve, Liquid Stop	022-09779-000	022-09779-000	022-09779-000
9	4	Compressor	See pages 33 and 34		
10	8	Valve, Charging	022-09754-000	022-09754-000	022-09754-000
11	4	Muffler	375-58655-000	375-58655-000	375-58655-000
12A	2	Oil Separator (Left) (Prior 7/2012)	075-42901-100		
		Oil Separator (Left) (After 7/2012)	PIN 9 = S or P 026-42901-210 PIN 9 = E or V 026-42901-110	026-42901-110	
12B	2	Oil Separator (Right) (Prior 7/2012)	075-42901-200		
		Oil Separator (Right) (After 7/2012)	PIN 9 = S or P 026-42901-310 PIN 9 = E or V 026-42901-210	026-42901-210	
12D	3	Sight Glass, Oil Separator (All)	026-43375-000		
12E	3	O-Ring, Sight Glass	028-15574-000		
13	4	Valve, Ball (Oil Line)	022-09172-000	022-09172-000	022-09172-000
14A	2	Ball Valve, Discharge (System 1)	022-11325-000	022-11325-000	022-11325-000
14B	2	Ball Valve, Discharge (System 2)	022-11325-000	022-11325-000	022-11325-000
15	4	Flange	022-11358-000	022-11358-000	022-11358-000
15A	4	Gasket, Flange	028-15075-159	028-15075-159	028-15075-159
16A	1	Flash Tank	375-55873-000	375-55873-000	375-55873-000
16B	3		375-54434-000	375-54434-000	375-54434-000
17	8	Valve, Relief	022-11398-000	022-11398-000	022-11398-000
18 ^S	4	Sensor, Refrig Level	025-43503-000		
19	4	Valve, Ball (Economizer)	022-08883-000	022-08883-000	022-08883-000

^S = Recommended Spare Parts



90° Flow
Drain or Feed
Valve



Straight Flow
Drain or Feed
Valve

REFRIGERANT PIPING COMPONENTS (CONT'D)

4 COMPRESSOR YCAV CHILLER MODELS

TABLE 7 – REFRIGERANT PIPING COMPONENTS - 4 COMPRESSOR MODELS
PIN #9 = S OR P (SEE FIGS. 8, 9, 10 AND 11, PAGES 23, 24, 25 AND 26) (CONT'D)

ITEM NO.	QTY PER UNIT	DESCRIPTION	YCAV00507 AND YCAV1829	YCAV0527 AND YCAV1909
1^S	8	Valve, Drain or Feed - 90° Flow*	025-41564-000	025-41564-000
	8	Valve, Drain or Feed - Straight Flow**	025-41565-000	025-41565-000
2	4	Valve, Relief	022-11312-000	022-11312-000
3	4	Valve, Solenoid	025-40330-000	025-40330-000
4	4	Dehydrator, Body (Replaceable Core)	026-16960-000	026-16960-000
5^S	12	Core, Dehydrator	026-37540-000	026-37540-000
6	4	Moisture Indicator, Body	026-32399-000	026-32399-000
7	4	Moisture Indicator, Sight Glass Cap	026-32800-000	026-32800-000
8	4	Valve, Liquid Stop	022-09779-000	022-09779-000
9	4	Compressor	See pages 33 and 34	
10	8	Valve, Charging	022-09754-000	022-09754-000
11	4	Muffler	375-58655-000	375-58655-000
12A	2	Oil Separator (Left) (Prior 7/2012)	075-42901-100	
		Oil Separator (Left) (Prior 7/2012)	026-42901-110	
12B	2	Oil Separator (Right) (Prior 7/2012)	075-42901-200	
		Oil Separator (Right) (After 7/2012)	026-42901-210	
12D	3	Sight Glass, Oil Separator (All)	026-43375-000	
12E	3	O-Ring, Sight Glass	028-15574-000	
13	4	Valve, Ball (Oil Line)	022-09172-000	022-09172-000
14A	2	Ball Valve, Discharge (System 1)	022-11325-000	022-11325-000
14B	2	Ball Valve, Discharge (System 2)	022-11325-000	022-11325-000
15	4	Flange	022-11358-000	022-11358-000
15A	4	Gasket, Flange	028-15075-159	028-15075-159
16A	1	Flash Tank	375-55873-000	375-55873-000
16B	3		375-54434-000	375-54434-000
17	8	Valve, Relief	022-11398-000	022-11398-000
18^S	4	Sensor, Refrig Level	025-43503-000	
19	4	Valve, Ball (Economizer)	022-08883-000	022-08883-000

^S = Recommended Spare Parts



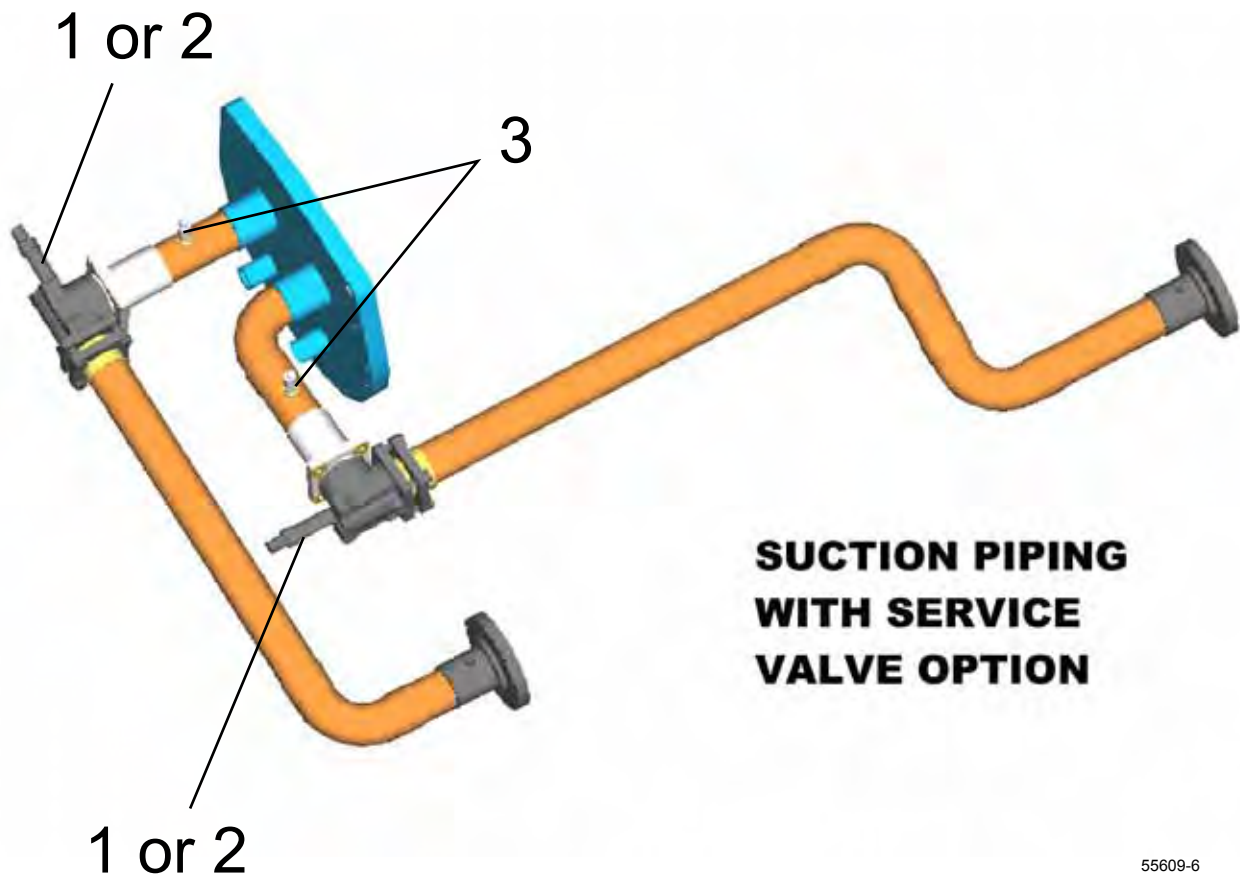
90° Flow
Drain or Feed
Valve



Straight Flow
Drain or Feed
Valve

REFRIGERANT PIPING COMPONENTS (CONT'D)

CHILLER MODEL YCAV



Piping

55609-6

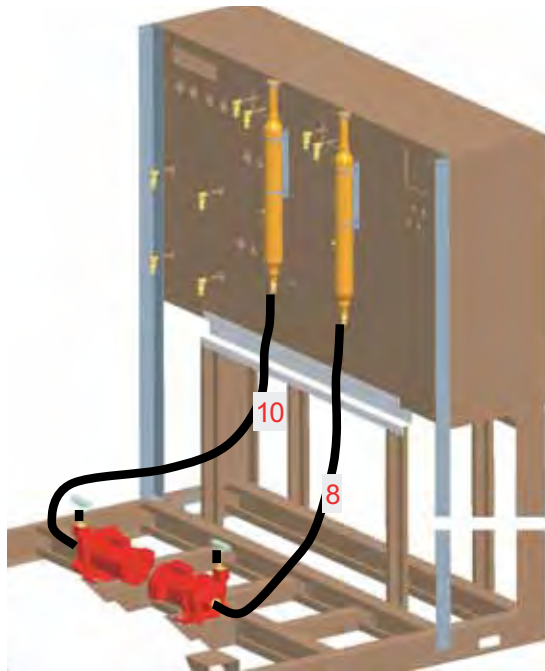
ITEM NO.	DESCRIPTION	PART NUMBER
1	Valve, Stop (3 5/8")	022-02845-001
	Gasket	028-13974-000
2	Valve, Stop (4 1/8")	022-11340-000
	Gasket	028-15304-000
3	Valve, Relief	022-11312-000

FIGURE 12 - SUCTION PIPING WITH SERVICE VALVE OPTION COMPONENTS

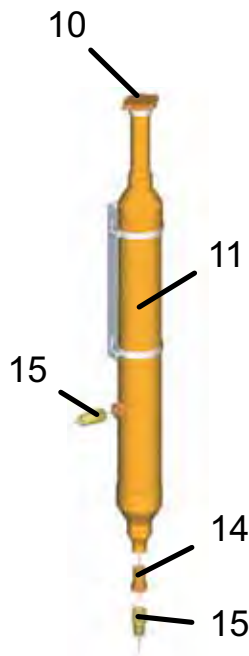
GLYCOL LOOP COMPONENTS

CHILLER MODEL YCAV

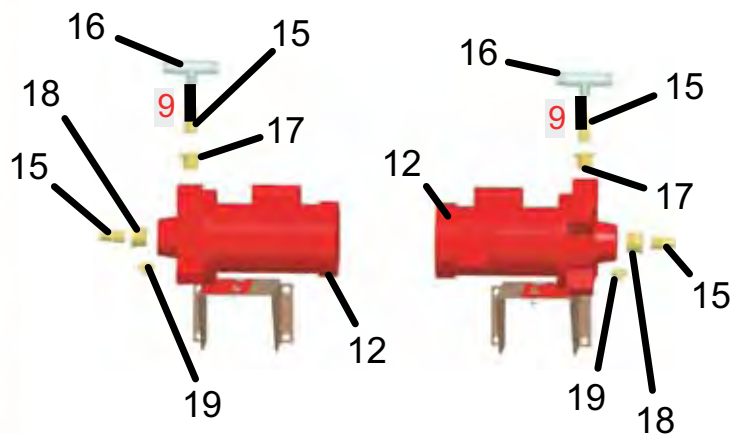
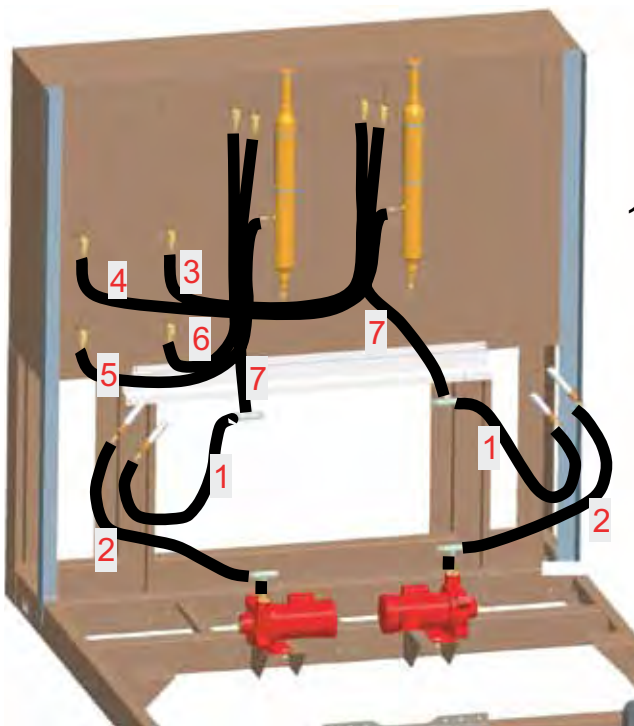
Piping



61393-00a



HOSE, BLACK RUBBER - 3/4 I.D. (028-11958-000)		
SECTION	3 COMP.	4 COMP.
	LENGTH	LENGTH
1	55"	55"
2	55"	45"
3	115"	60"
4	55"	70"
5	55"	55"
6	40"	55"
7	55"	55"
8	45"	70"
9	3"	3"
10	N/A	75"



61393-00b

FIGURE 13 - GLYCOL LOOP COMPONENTS (REF. TABLE 9, PAGE 31)

GLYCOL LOOP COMPONENTS (CONT'D)

CHILLER MODEL YCAV

TABLE 8 - GLYCOL LOOP COMPONENTS (SEE FIG. 13, PAGE 30)

ITEM NO.	QTY PER SYSTEM	DESCRIPTION	PART NUMBER
10 ^S	1	Cap, Radiator	023-21927-000
11	1	Tube, Glycol	075-55649-000
12	1	Pump, Single Stage (60 Hertz)	026-41611-000
		Pump, Single Stage (50 Hertz)	026-41611-001
13 ^S	5 gal	Coolant, Propylene Glycol	013-03344-000
14	1	Reducer	023-21941-000
15	4	Fitting, Hose Barb	023-21929-000
16	2	Tee	023-22526-000
17	1	Bushing	023-21934-000
18	1	Bushing	023-21935-000
19	1	Valve, Drain (prior 1/2010)	023-21874-000
		Valve, Drain (after 1/2010)	023-23851-000

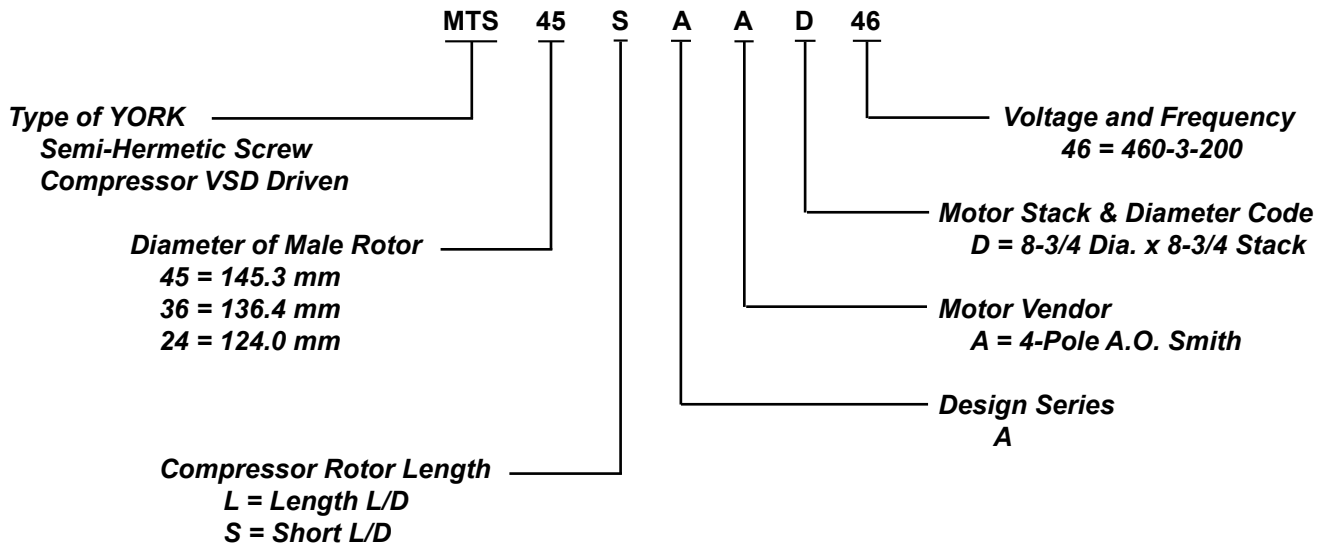
^S = Recommended Spare Parts

† Note:

VSD cooling system capacity ≈ 3.5 gallons. Fill level when cold = 9"-15" below cap.

CAUTION: Use only Glycol, part number 013-03344-000, with special inhibitors and heat characteristics. Mixing other types of Glycol or the addition of water may cause permanent damage to the cooling system.

COMPRESSOR MODEL NOMENCLATURE



COMPRESSOR WEIGHTS		
MM SIZE	WEIGHT (LBS.)*	WEIGHT (Kg.)
145	1310	594
136	1250	567
124	1175	533
112	760	345

*Note: Less Service Valves.

ITEM	REF.	DESCRIPTION	5 GALLON
OIL^s	R-134A	Oil, Type 'L' (Synthetic)	011-00592-000
FILTER^s		Filter, Oil	026-35601-000
O-RING^s		O-ring, Filter Cover	028-13849-000

^s = Recommended Spare Parts

DESCRIPTION	PART NUMBER
Compressor Heater (350 watt)	025-32938-000

COMPRESSOR CHANGE OUT PARTS		
MM SIZE	DESCRIPTION	PART NUMBER
All	Gasket, Suction Flange	028-15075-159
All	Gasket, Discharge Flange	028-15296-000
All	Seal, HPCO O-Ring	028-13540-000
All	Seal, Economizer O-ring	028-13963-000

COMPRESSOR

TABLE 9 - COMPRESSOR PART NUMBERS - PIN # 9 = S OR P

MODEL	SYSTEM #1 COMPRESSOR				SYSTEM #2 COMPRESSOR			
	PART #	MODEL #	MM	QTY	PART #	MODEL #	MM	QTY
YCAV0287 YCAV1039	364-50821-000	MTS36SA	136	1	364-50821-000	MTS36SA	136	1
YCAV0307 YCAV1139	364-50821-000	MTS36SA	136	1	364-50821-000	MTS36SA	136	1
YCAV0357 YCAV1309	364-50821-000	MTS36SA	136	1	364-50821-000	MTS36SA	136	1
YCAV0397 YCAV1429	364-50822-000	MTS45SA	145	1	364-50822-000	MTS45SA	145	1
YCAV0417 YCAV1549	364-50821-000	MTS36SA	136	1	364-50821-000	MTS36SA	136	1
YCAV0457 YCAV1649	364-50822-000	MTS45SA	145	1	364-50822-000	MTS45SA	145	1
YCAV0477 YCAV1739	364-50822-000	MTS45SA	145	1	364-50822-000	MTS45SA	145	1
YCAV0507 YCAV1829	364-50822-000	MTS45SA	145	1	364-50822-000	MTS45SA	145	1
YCAV0527 YCAV1909	364-50822-000	MTS45SA	145	1	364-50822-000	MTS45SA	145	1

MODEL	SYSTEM #3 COMPRESSOR				SYSTEM #4 COMPRESSOR			
	PART #	MODEL #	MM	QTY	PART #	MODEL #	MM	QTY
YCAV0287 YCAV1039	364-50820-000	MTS24SA	124	1	N/A			
YCAV0307 YCAV1139	364-50821-000	MTS36SA	136	1	N/A			
YCAV0357 YCAV1309	364-50822-000	MTS45SA	145	1	N/A			
YCAV0397 YCAV1429	364-50822-000	MTS45SA	145	1	N/A			
YCAV0417 YCAV1549	364-50821-000	MTS36SA	136	1	364-50821-000	MTS36SA	136	1
YCAV0457 YCAV1649	364-50821-000	MTS36SA	136	1	364-50821-000	MTS36SA	136	1
YCAV0477 YCAV1739	364-50821-000	MTS36SA	136	1	364-50821-000	MTS36SA	136	1
YCAV0507 YCAV1829	364-50821-000	MTS36SA	136	1	364-50822-000	MTS45SA	145	1
YCAV0527 YCAV1909	364-50822-000	MTS45SA	145	1	364-50822-000	MTS45SA	145	1

Compressor

COMPRESSOR (CONT'D)

TABLE 10 - COMPRESSOR PART NUMBERS - PIN # 9 = E OR V

MODEL	SYSTEM #1 COMPRESSOR				SYSTEM #2 COMPRESSOR			
	PART #	MODEL #	MM	QTY	PART #	MODEL #	MM	QTY
YCAV0267 YCAV0969	364-50821-000	MTS36SA	136	1	364-50821-000	MTS36SA	136	1
YCAV0287 YCAV1039	364-50821-000	MTS36SA	136	1	364-50821-000	MTS36SA	136	1
YCAV0327 YCAV1169	364-50821-000	MTS36SA	136	1	364-50821-000	MTS36SA	136	1
YCAV0357 YCAV1309	364-50822-000	MTS45SA	145	1	364-50822-000	MTS45SA	145	1
YCAV0397 YCAV1429	364-50821-000	MTS36SA	136	1	364-50821-000	MTS36SA	136	1
YCAV0417 YCAV1549	364-50821-000	MTS36SA	136	1	364-50821-000	MTS36SA	136	1
YCAV0477 YCAV1739	364-50822-000	MTS45SA	145	1	364-50822-000	MTS45SA	145	1

Compressor

MODEL	SYSTEM #3 COMPRESSOR				SYSTEM #4 COMPRESSOR			
	PART #	MODEL #	MM	QTY	PART #	MODEL #	MM	QTY
YCAV0267 YCAV0969	364-50820-000	MTS24SA	124	1	N/A			
YCAV0287 YCAV1039	364-50821-000	MTS36SA	136	1	N/A			
YCAV0327 YCAV1169	364-50821-000	MTS36SA	136	1	N/A			
YCAV0357 YCAV1309	364-50821-000	MTS36SA	136	1	N/A			
YCAV0397 YCAV1429	364-50821-000	MTS36SA	136	1	364-50821-000	MTS36SA	136	1
YCAV0417 YCAV1549	364-50821-000	MTS36SA	136	1	364-50821-000	MTS36SA	136	1
YCAV0477 YCAV1739	364-50821-000	MTS36SA	136	1	364-50821-000	MTS36SA	136	1

This page intentionally left blank

CONTROL AND VSD PANEL CONFIGURATIONS

Power panels and option panels are offered in several different configurations using three (3) major components:

1. TERMINAL BLOCKS
2. CIRCUIT BREAKERS
3. NON-FUSED DISCONNECT SWITCHES

The most basic chiller power wiring configuration uses TERMINAL BLOCKS in the power panels, and an options panel with no power wire termination hardware. See figures on previous page. The model pin number locations 16 and 17 would be X and X to reflect this basic combination. Identify model pin number locations 16 and 17 to identify the chiller power wiring connections and hardware listed below.

PIN 16 & 17 LETTER CODE IDENTIFIERS		OPTION PANEL AND POWER PANEL CONFIGURATIONS
S	X	Single Point Supply Terminal Block
B	X	Single Point Supply Circuit Breaker
S	S	Single Point Supply Terminal Block w/ Separate System Non-Fused Disconnect Switch
C	S	Single Point Supply Circuit Breaker w/ Separate System Non-Fused Disconnect Switch



FIGURE 14 - CONTROL, OPTIONS AND POWER PANELS LAYOUT

CONTROL AND VSD PANEL CONFIGURATIONS (CONT'D)



***Note:** *On units with Single Point Terminal Blocks, the terminal blocks are located in the same space as the Single Point Circuit Breaker shown in Fig. 7A.*

FIGURE 15 - EXAMPLES OF POWER WIRING CONFIGURATIONS (4-COMPRESSOR UNITS)

VARIABLE SPEED DRIVE PANEL COMPONENTS

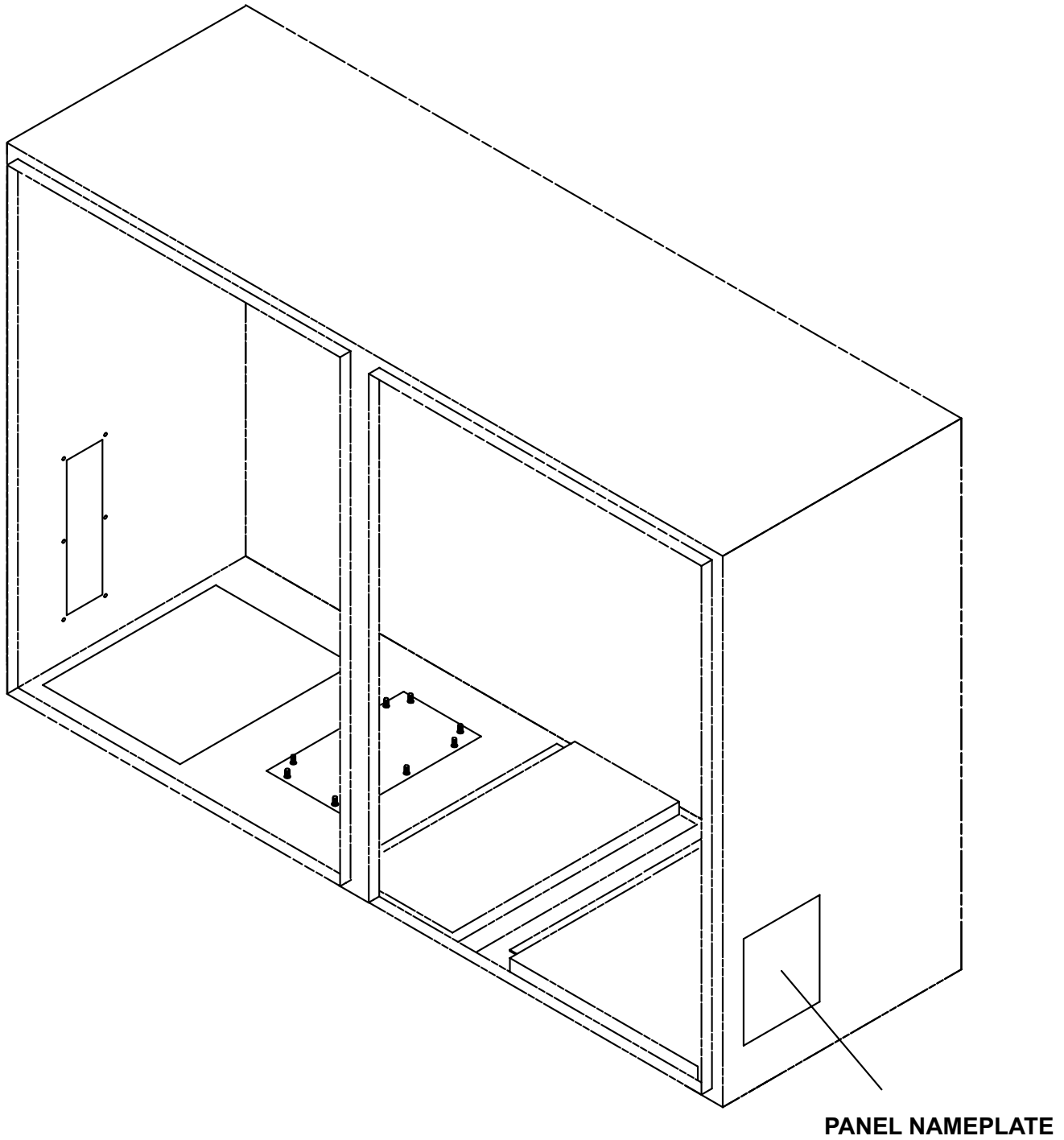


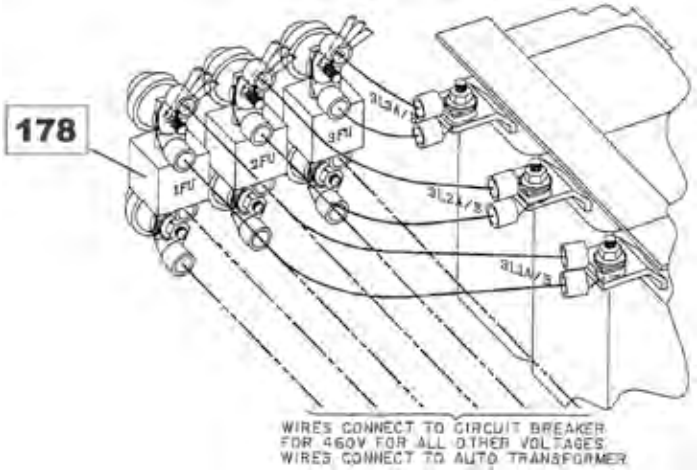
FIGURE 16 - VSD / CONTROL PANEL IDENTIFIER LOCATION (2-COMPRESSOR UNITS)

VARIABLE SPEED DRIVE PANEL COMPONENTS (CONT'D)

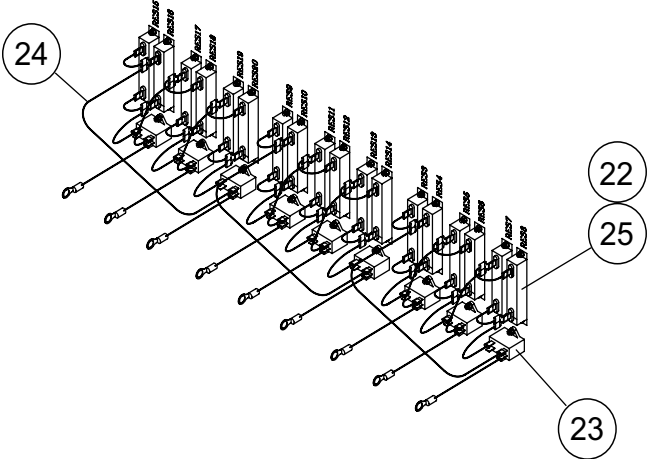
TABLE 11 - VSD / CONTROL PANEL IDENTIFIERS (TO IDENTIFY REPLACEMENT PART NUMBERS, LOCATE THE POWER PANEL NAMEPLATE (FIG. 16, PAGE 38), SELECT PANEL IDENTIFIER NUMBER FROM THE TABLES BELOW, THEN REFER TO THE 'VSD/CONTROL PANEL COMPONENTS INFORMATION (PAGES 40-54).

VSD / Control Panel Part Numbers (3 Compressor Units)					
Voltage Code	Qty	Standard or Low Sound Fans			
		Terminal Block or Terminal Block w/ Separate System Non-Fused Disconnect Switches		Circuit Breaker or Circuit Breaker w/ Separate System Non-Fused Disconnect Switches	
		No Ambient Kit, Temp. Reset/ Offset and/or Current Reset/ Offset	ISN Microgateway	No Ambient Kit, Temp. Reset/ Offset and/or Current Reset/ Offset	ISN Microgateway
17	1	N/A	N/A	N/A	N/A
28		N/A	N/A	N/A	N/A
40		371-04179-101	371-04179-105	371-04179-109	371-04179-113
46		371-04179-103	371-04179-107	371-04179-111	371-04179-115
50		371-04179-102	371-04179-106	371-04179-110	371-04179-114
58		371-04179-104	371-04179-108	371-04179-112	371-04179-116

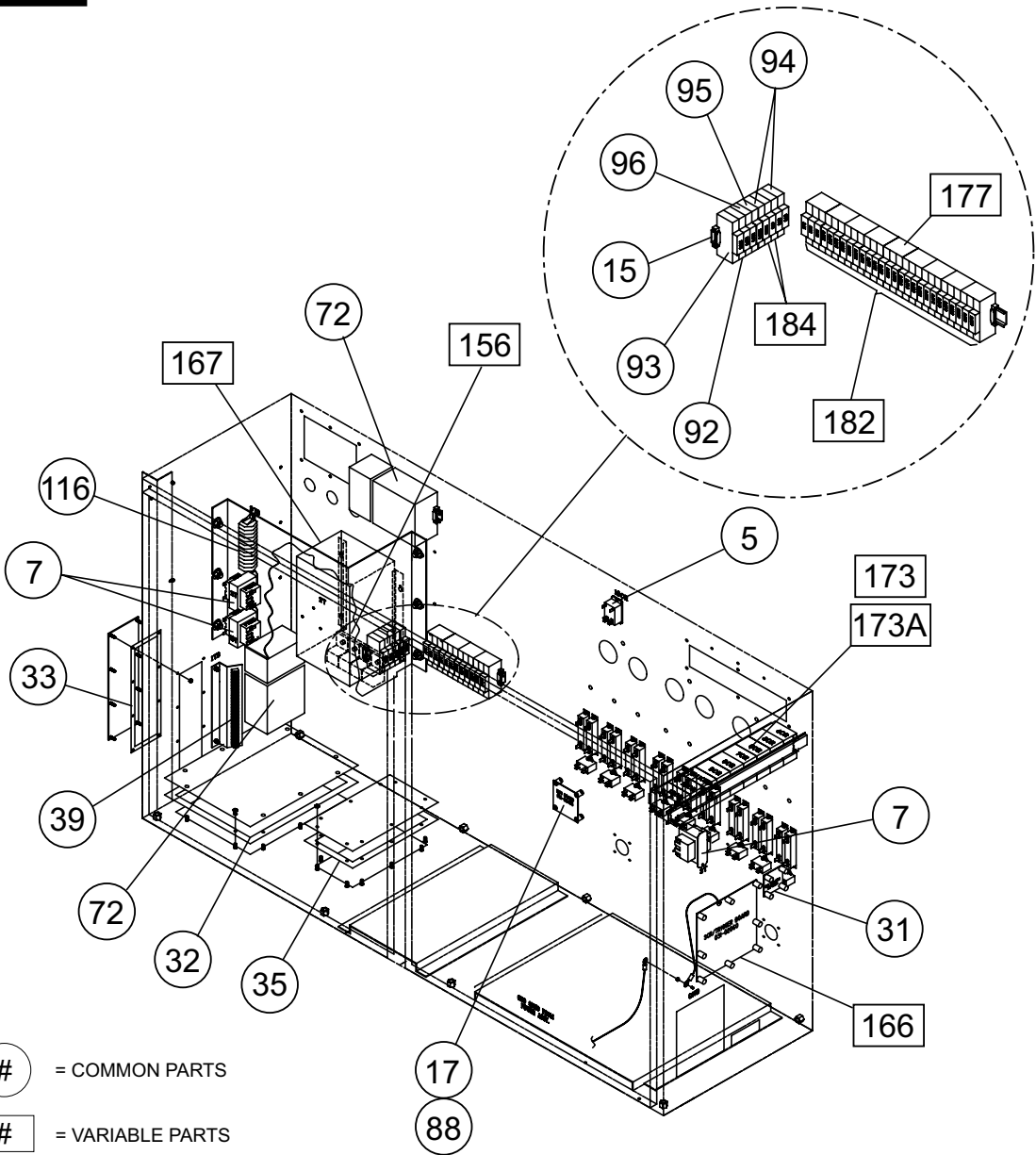
VSD / Control Panel Part Numbers (4 Compressor Units)					
Voltage Code	Qty	Standard or Low Sound Fans			
		Terminal Block or Terminal Block w/ Separate System Non-Fused Disconnect Switches		Circuit Breaker or Circuit Breaker w/ Separate System Non-Fused Disconnect Switches	
		No Ambient Kit, Temp. Reset/ Offset and/or Current Reset/ Offset	ISN Microgateway	No Ambient Kit, Temp. Reset/ Offset and/or Current Reset/ Offset	ISN Microgateway
17	1	N/A	N/A	N/A	N/A
28		N/A	N/A	N/A	N/A
40		371-04180-101	371-04180-105	371-04180-109	371-04180-113
46		371-04180-103	371-04180-107	371-04180-111	371-04180-115
50		371-04180-102	371-04180-106	371-04180-110	371-04180-114
58		371-04180-104	371-04180-108	371-04180-112	371-04180-116



04178-5a



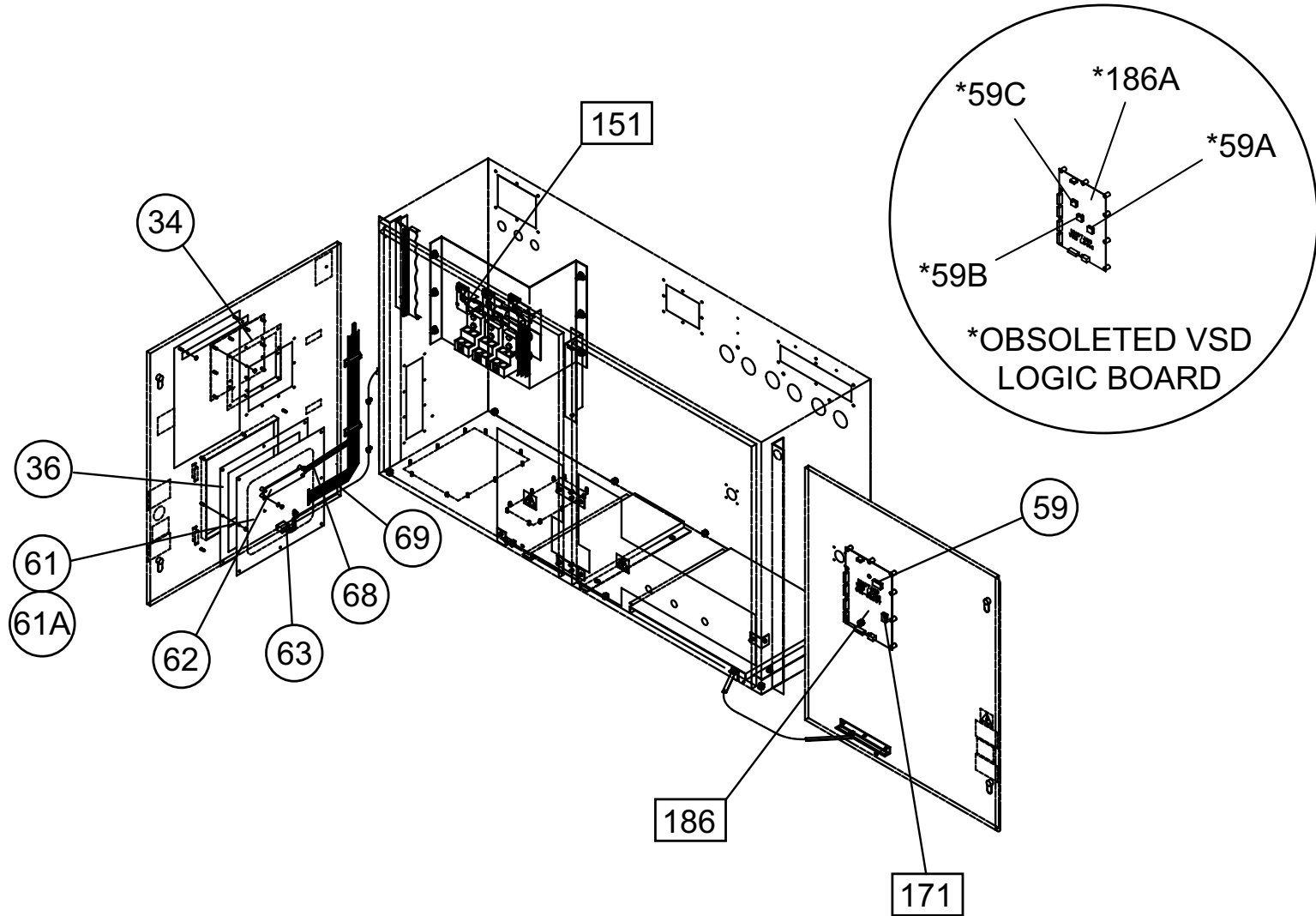
04179-005a



- # = COMMON PARTS
- # = VARIABLE PARTS
- * # = OBSOLETE PARTS

04179-500b

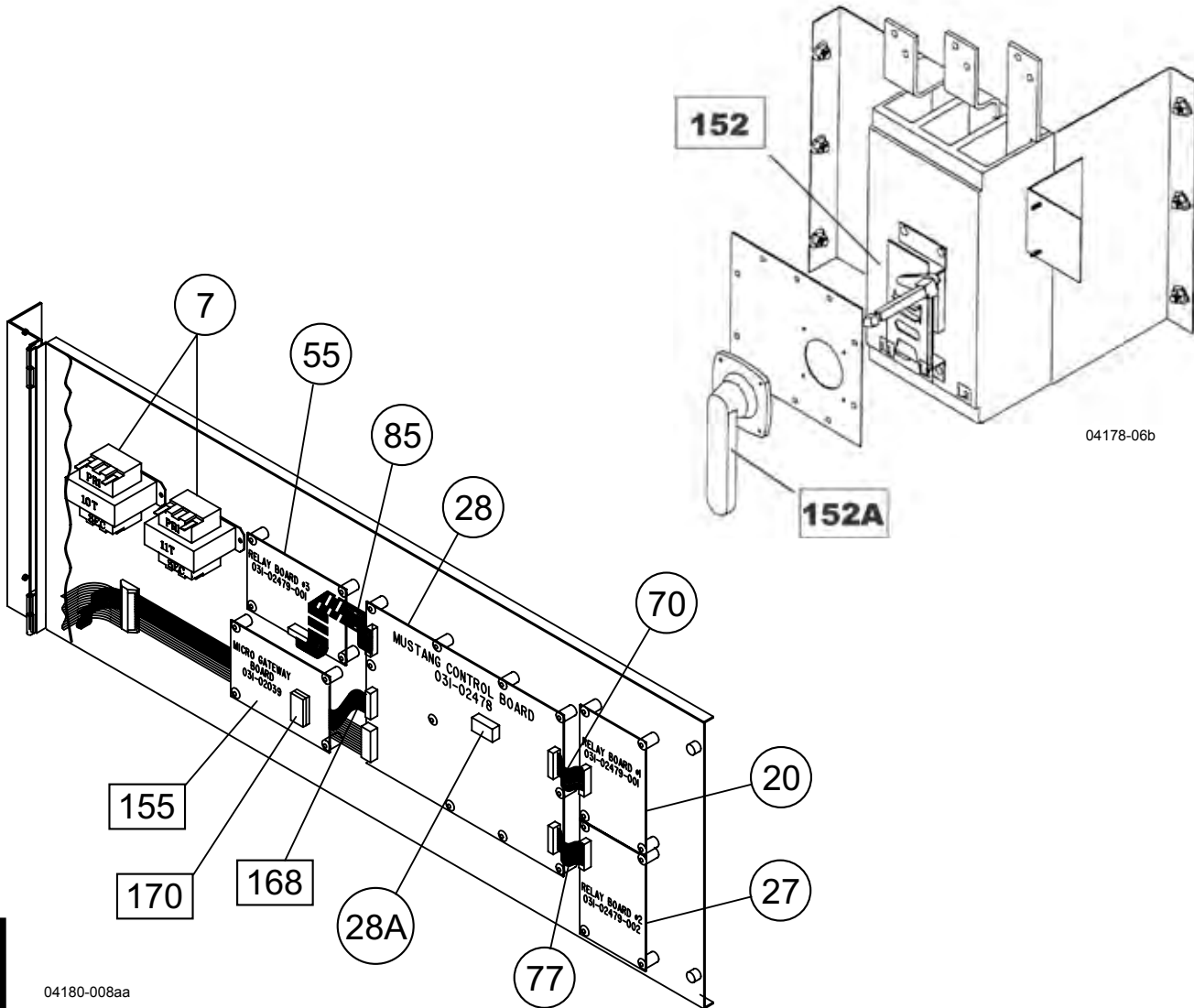
FIGURE 17 - VARIABLE SPEED DRIVE COMPONENTS - 3 COMP MODELS SHOWN (REF. TABLE 13, PAGES 45 - 54)



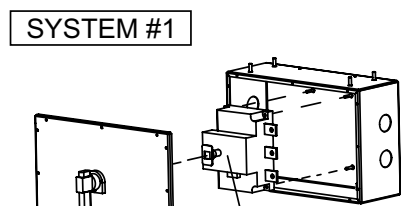
04180-007a

FIGURE 18 - VARIABLE SPEED DRIVE COMPONENTS (REF. TABLE 13, PAGES 45 - 54)

VARIABLE SPEED DRIVE PANEL COMPONENTS (CONT'D)



Variable Speed Drive



HANDLE
024-37976-002

400A DISCONNECT
SWITCH 024-34976-001

55832-000C

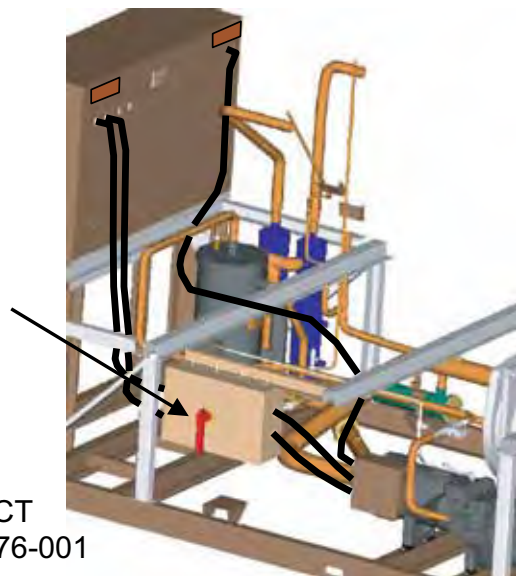
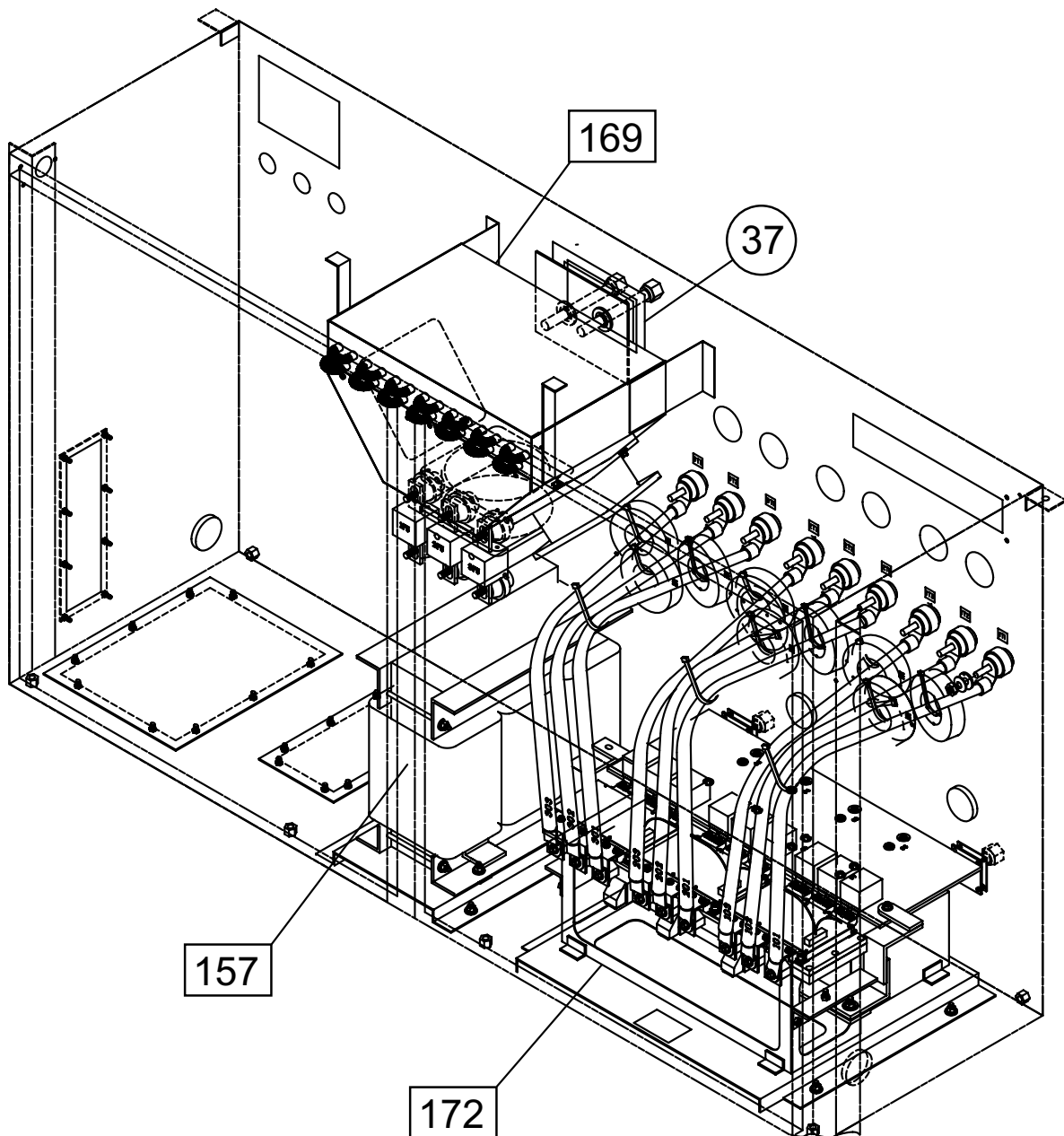


FIGURE 19 - VARIABLE SPEED DRIVE COMPONENTS (REF. TABLE 13, PAGES 45 - 54)

VARIABLE SPEED DRIVE PANEL COMPONENTS (CONT'D)

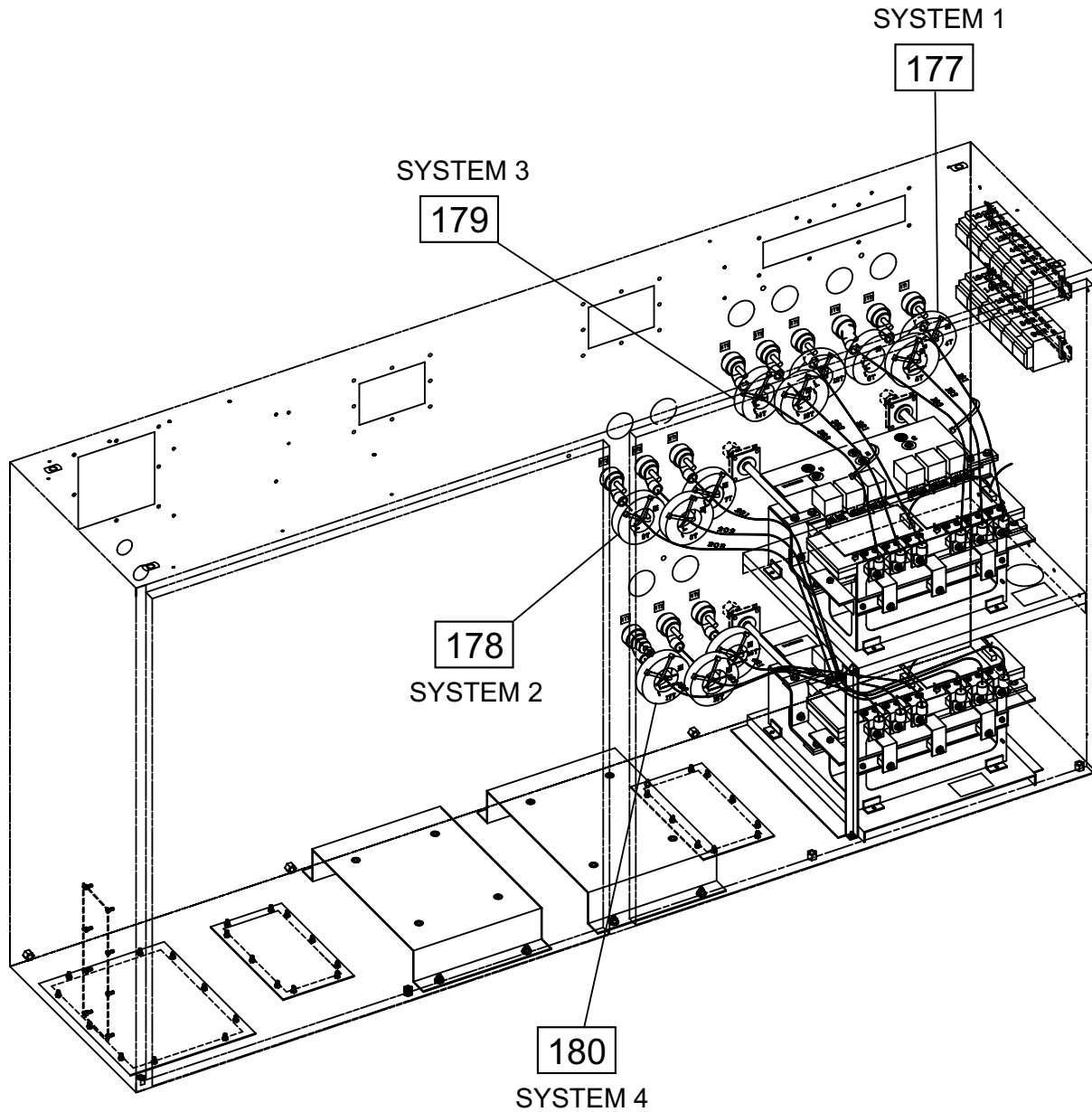
04180-006a



Variable Speed Drive

FIGURE 20 - VARIABLE SPEED DRIVE COMPONENTS - 3 COMP MODEL SHOWN
(REF. TABLE 13, PAGES 45 - 54)

VARIABLE SPEED DRIVE PANEL COMPONENTS (CONT'D)



Variable Speed Drive

FIGURE 21 - VARIABLE SPEED DRIVE COMPONENTS - 4 COMP MODEL SHOWN
(REF. TABLE 13, PAGES 45 - 54)

VARIABLE SPEED DRIVE PANEL COMPONENTS (CONT'D)

TABLE 12 - VARIABLE SPEED DRIVE COMMON COMPONENTS (SEE. FIGS. 17-21, PAGES 40-44)

ITEM NUMBER	QTY PER UNIT	DESCRIPTION	YORK PART NUMBER
5	1	Relay, Pump / Fan	024-30441-000
7	3	Transformer, 75Va (3T, 6T, 11T)	025-27911-000
15	5	Fuse Holder, 1 Pole - 30A	025-39951-000
	7	Fuse Holder, 1 Pole - 30A	
17	1	Voltage Suppression Board	031-02453-000
20	1	Relay Board #1	031-02479-001
22	18	Resistor (3 Compressor Units)	025-35953-000
	24	Resistor (4 Compressor Units)	
23	9	Capacitor (3 Compressor Units)	025-39806-000
	12	Capacitor (4 Compressor Units)	
24	1	Wiring Kit, Dvdt (3 Compressor Units)	571-04179-211
		Wiring Kit, Dvdt (4 Compressor Units)	571-04180-211
25	18	Pad, Thermal (3 Compressor Units)	028-15299-000
	24	Pad, Thermal (4 Compressor Units)	
27	1	Relay Board #2	031-02479-002
28 ^S	1	Control Board (3 Compressor Units)	031-02478-001
		Control Board (4 Compressor Units)	
28A ^S	1	Eprom, Control Board (Standard)	031-02476-001
		Eprom, Control Board (Optimized)	031-02476-002
31	1	Bus Isolation Board	031-01624-000
32	1	Gasket, Field Power	028-15246-000
33	1	Gasket, Cust. Connections	028-15247-000
34	1	Gasket, Circuit Breaker	028-15248-000
35	1	Gasket, Auto Transformer	028-15249-000
36	1	Gasket, Keypad / Display	028-15250-000
37	1	Gasket, Coil	028-15251-000
39	1	Terminal Block Assembly	371-04178-356
55	1	Relay Board #3 (3 Compressor Units)	031-02479-003
		Relay Board #3 (4 Compressor Units)	031-02479-001
59	1	Eprom, Logic Board U39	031-02522-001*
59A	1	Eprom, Logic Board U36 (Obsolete)	031-02521-001**
59B	1	Prom, Fpga U41 (Obsolete)	031-02523-001**
59C	1	Eprom, Logic Board U39 (Obsolete)	031-02522-001**

Variable Speed Drive

* Note: Used on new 031-02507-001 and 031-02507-002 VSD Logic Boards.

** Note: Only used on obsolete 031-02477-001 and 031-02477-002 VSD Logic Board (no longer available).

VARIABLE SPEED DRIVE PANEL COMPONENTS (CONT'D)

TABLE 13 - VARIABLE SPEED DRIVE COMMON COMPONENTS (SEE. FIGS. 8A-8E, PAGES 40-44) (CONT'D)

ITEM NUMBER	QTY PER UNIT	DESCRIPTION	YORK PART NUMBER
61	1	Keypad, Latitude	024-34930-000*
61A	1	Overlay, Keypad English	024-34930-001*
		Overlay, Keypad Spanish	024-34930-002*
		Overlay, Keypad French	024-34930-003*
		Overlay, Keypad German	024-34930-004*
		Overlay, Keypad Italian	024-34930-005*
		Overlay, Keypad Portuguese	324-34930-006*
62	1	Display, Latitude	031-02508-000
63	1	Switch, On / Off	024-34951-000
68	1	Cable, Display Ribbon (3 Compressor Units)	071-04178-268
		Cable, Display Ribbon (4 Compressor Units)	071-04178-266
69	1	Cable, Keypad Ribbon (3 Compressor Units)	071-04178-269
		Cable, Keypad Ribbon (4 Compressor Units)	071-04178-267
70	1	Cable, Ribbon (Relay Board #1)	071-04178-263
72 ^S	1	Controller, Drain/Feed (90° Flow)	031-02510-000**
		Controller, Drain/Feed (Straight Flow)	031-02742-000**
77	1	Cable, Ribbon (Relay Board #2)	071-04178-264
85	1	Cable, Ribbon (Relay Board #3)	071-04178-265
88	3	Fuses (3 Compressor Units)	025-38523-000
	4	Fuses (4 Compressor Units)	
92	1	Fuse, 15A (3 Comp Units)	025-34141-000
	2	Fuse, 15A (4 Comp Units)	
93	1	Fuse, 30A (3 Comp Units)	025-35910-000
	2	Fuse, 20A (4 Comp Units)	025-35908-000
94	2	Fuse, 6A (3 Compressor Units)	025-35902-000
	2	Fuse, 6A (4 Compressor Units)	
95	1	Fuse, 12A (3 Comp Units)	025-35906-000
	2	Fuse, 3A (4 Comp Units)	025-40353-000
96	1	Fuse, 17.5A (3 Comp Units)	025-40149-000
	2	Fuse, 17.5A (4 Comp Units)	
116	12	Terminal Block	025-20944-000

* Note: Both the keypad and overlay must be replaced when replacing the keypad.

** Note: See pages 21, 22, 27 and 28 for valve type to aid in identifying the controller.

TABLE 13 - VARIABLE SPEED DRIVE VARIABLE PARTS - 3 COMPRESSOR MODELS (SEE. FIGS. 8A-8E, PAGES 40-44)

ITEM NUMBER	DESCRIPTION	371-04179-101*		371-04179-102*		371-04179-103*		371-04179-104*	
		-40		-50		-46		-58	
		QTY	PART NUMBER	QTY	PART NUMBER	QTY	PART NUMBER	QTY	PART NUMBER
151	Single Point Terminal Block Kit	1	371-04460-003	1	371-04460-003	1	371-04460-005	1	371-04460-002
152	Single Point Circuit Breaker	-	N/A	-	N/A	-	N/A	-	N/A
152A	Operator Mechanism (Shaft and Handle)	-	N/A	-	N/A	-	N/A	-	N/A
155	Microgateway Board	-	N/A	-	N/A	-	N/A	-	N/A
156	Ground Lugs	4	025-20625-000	4	025-20625-000	4	025-20625-000	3	025-20625-000
157	Inductor	1	025-39676-000	1	025-39676-000	1	025-39676-000	1	025-39676-000
166	SCR Trigger Board	1	031-02060-001	1	031-02060-002	1	031-02060-001	1	031-02060-001
167	Control Transformer 2T	1	025-40114-003	1	025-40114-004	1	025-40114-003	1	025-40114-003
169	Cooling Fan Ass'y	1	371-04179-501	1	371-04179-503	1	371-04179-501	1	371-04179-501
170	Eprom, Microgateway	-	N/A	-	N/A	-	N/A	-	N/A
171	Eprom, Logic Board (U52)	1	031-02649-001	1	031-02649-001	1	031-02649-001	1	031-02649-001
172	VSD Power Assembly Complete (See Page 44)	1	371-04192-101	1	371-04192-101	1	371-04192-101	1	371-04192-101
173	Fan Contactor	9	024-34916-000	9	024-34916-000	9	024-34916-000	9	024-34916-000
173A	Harness, Fan Contactor	1	571-04179-231	1	571-04179-231	1	571-04179-231	1	571-04179-231
175	Transformer, Current (Sys. 1&3) 300 : 0.1 Ratio	6	025-21173-009	6	025-21173-009	6	025-21173-009	6	025-21173-009
176	Transformer, Current (Sys. 2) 300 : 0.1 Ratio	3	025-21173-009	3	025-21173-009	3	025-21173-009	3	025-21173-009
177	Fuse Holder (3 Pole)	4	025-39952-000	4	025-39952-000	4	025-39952-000	4	025-39952-000
178	Fuse (1FU, 2FU, 3FU)	3	025-39682-000	3	025-39682-000	3	025-39682-000	3	025-39682-000
182	Fuse, 30A (7-9FU, 14-16FU)	9	025-39683-000	9	025-39683-000	9	025-39683-000	9	025-39683-000
184	Fuse, 10A (4FU, 5FU, 19FU)	2	031-35907-000	3	031-35907-000	3	031-35907-000	3	031-35907-000
186	VSD Logic Board*	1	031-02507-001	1	031-02507-001	1	031-02507-001	1	031-02507-001
186A	VSD Logic Board (Obsolete)*	1	031-02477-001	1	031-02477-001	1	031-02477-001	1	031-02477-001

* Note: Must order VSD Logic Board Kit (331-02507-604) when replacing Logic Board (Kit includes EPROMs and PWM Generator - 59 & 171).

Service Note:

Locate the PANEL NUMBER nameplate on the lower right hand outside corner of the power panel, then refer to the appropriate parts list for that number. Or, identify PIN number positions 16 and 17 on unit identification plate (See example on Page 4) then compare to table above for power configuration options.

Variable Speed Drive

TABLE 14 - VARIABLE SPEED DRIVE VARIABLE PARTS - 3 COMPRESSOR MODELS (SEE. FIGS. 8A-8E, PAGES 40-44)

ITEM NUMBER	DESCRIPTION	371-04179-105*		371-04179-106*		371-04179-107*		371-04179-108*	
		-40		-50		-46		-58	
		QTY	PART NUMBER	QTY	PART NUMBER	QTY	PART NUMBER	QTY	PART NUMBER
151	Single Point Terminal Block Kit	-	N/A	-	N/A	-	N/A	-	N/A
152	Single Point Circuit Breaker	1	224-34968-001	1	224-34967-001	1	224-34967-001	1	224-34966-001
152A	Operator Mechanism (Shaft and Handle)		024-34922-000	-	024-34922-000	-	024-34922-000	-	024-34922-000
155	Microgateway Board	-	N/A	-	N/A	-	N/A	-	N/A
156	Ground Lugs	4	025-20625-000	4	025-20625-000	4	025-20625-000	3	025-20625-000
157	Inductor	1	025-39676-000	1	025-39676-000	1	025-39676-000	1	025-39676-000
166	SCR Trigger Board	1	031-02060-001	1	031-02060-002	1	031-02060-001	1	031-02060-001
167	Control Transformer 2T	1	025-40114-003	1	025-40114-004	1	025-40114-003	1	025-40114-003
169	Cooling Fan Ass'y	1	371-04179-501	1	371-04179-503	1	371-04179-501	1	371-04179-501
170	Eprom, Microgateway	-	N/A	-	N/A	-	N/A	-	N/A
171	Eprom, Logic Board (U52)	1	031-02649-001	1	031-02649-001	1	031-02649-001	1	031-02649-001
172	VSD Power Assembly Complete (See Page 44)	1	371-04192-101	1	371-04192-101	1	371-04192-101	1	371-04192-101
173	Fan Contactor	9	024-34916-000	9	024-34916-000	9	024-34916-000	9	024-34916-000
173A	Harness, Fan Contactor	1	571-04179-231	1	571-04179-231	1	571-04179-231	1	571-04179-231
175	Transformer, Current (Sys. 1&3) 300 : 0.1 Ratio	6	025-21173-009	6	025-21173-009	6	025-21173-009	6	025-21173-009
176	Transformer, Current (Sys. 2) 300 : 0.1 Ratio	3	025-21173-009	3	025-21173-009	3	025-21173-009	3	025-21173-009
177	Fuse Holder (3 Pole)	4	025-39952-000	4	025-39952-000	4	025-39952-000	4	025-39952-000
178	Fuse (1FU, 2FU, 3FU)	3	025-39682-000	3	025-39682-000	3	025-39682-000	3	025-39682-000
182	Fuse, 30A (7-9FU, 14-16FU)	9	025-39683-000	9	025-39683-000	9	025-39683-000	9	025-39683-000
184	Fuse, 10A (4FU, 5FU, 19FU)	2	031-35907-000	3	031-35907-000	3	031-35907-000	3	031-35907-000
186	VSD Logic Board*	1	031-02507-001	1	031-02507-001	1	031-02507-001	1	031-02507-001
186A	VSD Logic Board (Obsolete)*	1	031-02477-001	1	031-02477-001	1	031-02477-001	1	031-02477-001

* Note: Must order VSD Logic Board Kit (331-02507-604) when replacing Logic Board (Kit includes EPROMs and PWM Generator - 59 & 171).

Service Note:

Locate the PANEL NUMBER nameplate on the lower right hand outside corner of the power panel, then refer to the appropriate parts list for that number. Or, identify PIN number positions 16 and 17 on unit identification late (See example on Page 4) then compare to table above for power configuration options.

TABLE 15 – VARIABLE SPEED DRIVE VARIABLE PARTS - 3 COMPRESSOR MODELS (SEE. FIGS. 8A-8E, PAGES 40-44) (CONT'D)

ITEM NUMBER	DESCRIPTION	371-04179-109*		371-04179-110*		371-04179-111*		371-04179-112*	
		-40		-50		-46		-58	
		QTY	PART NUMBER	QTY	PART NUMBER	QTY	PART NUMBER	QTY	PART NUMBER
151	Single Point Terminal Block Kit	1	371-04460-003	1	371-04460-003	1	371-04460-005	1	371-04460-002
152	Single Point Circuit Breaker	-	N/A	-	N/A	-	N/A	-	N/A
152A	Operator Mechanism (Shaft and Handle)	-	N/A	-	N/A	-	N/A	-	N/A
155	Microgateway Board	1	031-02039-000	1	031-02039-000	1	031-02039-000	1	031-02039-000
156	Ground Lugs	4	025-20625-000	4	025-20625-000	4	025-20625-000	3	025-20625-000
157	Inductor	1	025-39676-000	1	025-39676-000	1	025-39676-000	1	025-39676-000
166	SCR Trigger Board	1	031-02060-001	1	031-02060-002	1	031-02060-001	1	031-02060-001
167	Control Transformer 2T	1	025-40114-003	1	025-40114-004	1	025-40114-003	1	025-40114-003
169	Cooling Fan Ass'y	1	371-04179-501	1	371-04179-503	1	371-04179-501	1	371-04179-501
170	Eprom, Microgateway	1	031-02200-005	1	031-02200-005	1	031-02200-005	1	031-02200-005
171	Eprom, Logic Board (U52)	1	031-02649-001	1	031-02649-001	1	031-02649-001	1	031-02649-001
172	VSD Power Assembly Complete (See Page 44)	1	371-04192-101	1	371-04192-101	1	371-04192-101	1	371-04192-101
173	Fan Contactor	9	024-34916-000	9	024-34916-000	9	024-34916-000	9	024-34916-000
173A	Harness, Fan Contactor	1	571-04179-231	1	571-04179-231	1	571-04179-231	1	571-04179-231
175	Transformer, Current (Sys. 1&3) 300 : 0.1 Ratio	6	025-21173-009	6	025-21173-009	6	025-21173-009	6	025-21173-009
176	Transformer, Current (Sys. 2) 300 : 0.1 Ratio	3	025-21173-009	3	025-21173-009	3	025-21173-009	3	025-21173-009
177	Fuse Holder (3 Pole)	4	025-39952-000	4	025-39952-000	4	025-39952-000	4	025-39952-000
178	Fuse (1FU, 2FU, 3FU)	3	025-39682-000	3	025-39682-000	3	025-39682-000	3	025-39682-000
182	Fuse, 30A (7-9FU, 14-16FU)	9	025-39683-000	9	025-39683-000	9	025-39683-000	9	025-39683-000
184	Fuse, 10A (4FU, 5FU, 19FU)	2	031-35907-000	3	031-35907-000	3	031-35907-000	3	031-35907-000
186	VSD Logic Board*	1	031-02507-001	1	031-02507-001	1	031-02507-001	1	031-02507-001
186A	VSD Logic Board (Obsolete)*	1	031-02477-001	1	031-02477-001	1	031-02477-001	1	031-02477-001

* Note: Must order VSD Logic Board Kit (331-02507-604) when replacing Logic Board (Kit includes EPROMs and PWM Generator - 59 & 171).

Service Note:

Locate the PANEL NUMBER nameplate on the lower right hand outside corner of the power panel, then refer to the appropriate parts list for that number. Or, identify PIN number positions 16 and 17 on unit identification plate (See example on Page 4) then compare to table above for power configuration options.

Variable Speed Drive

TABLE 15 – VARIABLE SPEED DRIVE VARIABLE PARTS - 3 COMPRESSOR MODELS (SEE. FIGS. 8A-8E, PAGES 40-44) (CONT'D)

ITEM NUMBER	DESCRIPTION	371-04179-113*		371-04179-114*		371-04179-115*		371-04179-116*	
		-40		-50		-46		-58	
		QTY	PART NUMBER	QTY	PART NUMBER	QTY	PART NUMBER	QTY	PART NUMBER
151	Single Point Terminal Block Kit	-	N/A	-	N/A	-	N/A	-	N/A
152	Single Point Circuit Breaker	1	224-34968-001	1	224-34967-001	1	224-34967-001	1	224-34966-001
152A	Operator Mechanism (Shaft and Handle)		024-34922-000	-	024-34922-000	-	024-34922-000	-	024-34922-000
155	Microgateway Board	1	031-02039-000	1	031-02039-000	1	031-02039-000	1	031-02039-000
156	Ground Lugs	4	025-20625-000	4	025-20625-000	4	025-20625-000	3	025-20625-000
157	Inductor	1	025-39676-000	1	025-39676-000	1	025-39676-000	1	025-39676-000
166	SCR Trigger Board	1	031-02060-001	1	031-02060-002	1	031-02060-001	1	031-02060-001
167	Control Transformer 2T	1	025-40114-003	1	025-40114-004	1	025-40114-003	1	025-40114-003
169	Cooling Fan Ass'y	1	371-04179-501	1	371-04179-503	1	371-04179-501	1	371-04179-501
170	Eprom, Microgateway	1	031-02200-005	1	031-02200-005	1	031-02200-005	1	031-02200-005
171	Eprom, Logic Board (U52)	1	031-02649-001	1	031-02649-001	1	031-02649-001	1	031-02649-001
172	VSD Power Assembly Complete (See Page 44)	1	371-04192-101	1	371-04192-101	1	371-04192-101	1	371-04192-101
173	Fan Contactor	9	024-34916-000	9	024-34916-000	9	024-34916-000	9	024-34916-000
173A	Harness, Fan Contactor	1	571-04179-231	1	571-04179-231	1	571-04179-231	1	571-04179-231
175	Transformer, Current (Sys. 1&3) 300 : 0.1 Ratio	6	025-21173-009	6	025-21173-009	6	025-21173-009	6	025-21173-009
176	Transformer, Current (Sys. 2) 300 : 0.1 Ratio	3	025-21173-009	3	025-21173-009	3	025-21173-009	3	025-21173-009
177	Fuse Holder (3 Pole)	4	025-39952-000	4	025-39952-000	4	025-39952-000	4	025-39952-000
178	Fuse (1FU, 2FU, 3FU)	3	025-39682-000	3	025-39682-000	3	025-39682-000	3	025-39682-000
182	Fuse, 30A (7-9FU, 14-16FU)	9	025-39683-000	9	025-39683-000	9	025-39683-000	9	025-39683-000
184	Fuse, 10A (4FU, 5FU, 19FU)	2	031-35907-000	3	031-35907-000	3	031-35907-000	3	031-35907-000
186	VSD Logic Board*	1	031-02507-001	1	031-02507-001	1	031-02507-001	1	031-02507-001
186A	VSD Logic Board (Obsolete)*	1	031-02477-001	1	031-02477-001	1	031-02477-001	1	031-02477-001

* Note: Must order VSD Logic Board Kit (331-02507-604) when replacing Logic Board (Kit includes EPROMs and PWM Generator - 59 & 171).

Service Note:

Locate the PANEL NUMBER nameplate on the lower right hand outside corner of the power panel, then refer to the appropriate parts list for that number. Or, identify PIN number positions 16 and 17 on unit identification late (See example on Page 4) then compare to table above for power configuration options.

TABLE 15 - VARIABLE SPEED DRIVE VARIABLE PARTS - 4 COMPRESSOR MODELS (SEE. FIGS. 8A-8E, PAGES 40-44)

ITEM NUMBER	DESCRIPTION	371-04180-101* -40		371-04180-102* -50		371-04180-103* -46		371-04180-104* -58	
		QTY	PART NUMBER	QTY	PART NUMBER	QTY	PART NUMBER	QTY	PART NUMBER
151	Single Point Terminal Block Kit	2	371-04460-002	2	371-04460-002	2	371-04460-004	2	371-04460-001
152	Single Point Circuit Breaker	-	N/A	-	N/A	-	N/A	-	N/A
152A	Operator Mechanism (Shaft and Handle)	-	N/A	-	N/A	-	N/A	-	N/A
155	Microgateway Board	-	N/A	-	N/A	-	N/A	-	N/A
156	Ground Lugs	6	025-32835-000	6	025-32835-000	4	025-32835-000	4	025-32835-000
157	Inductor	2	025-39677-000	2	025-39677-000	2	025-39677-000	2	025-39677-000
166	SCR Trigger Board	2	031-02060-001	2	031-02060-002	2	031-02060-001	2	031-02060-001
167	Control Transformer 2T (System 1&3)	1	025-40114-003	1	025-40114-004	1	025-40114-003	1	025-40114-003
	Control Transformer 2T (System 2&4)	1	025-40114-001	1	025-40114-002	1	025-40114-001	1	025-40114-001
169	Cooling Fan Ass'y	1	371-04180-501	1	371-04180-502	1	371-04180-501	1	371-04180-501
170	Eprom, Microgateway	-	N/A	-	N/A	-	N/A	-	N/A
171	Eprom, Logic Board (U52)	1	031-02649-001	1	031-02649-001	1	031-02649-001	1	031-02649-001
172	VSD Power Assembly Complete (System 1&3)	1	371-04181-102	1	371-04181-102	1	371-04181-102	1	371-04181-102
	VSD Power Assembly Complete (System 2&4)	1	371-04181-103	1	371-04181-103	1	371-04181-103	1	371-04181-103
173	Fan Contactor	12	024-34916-000	12	024-34916-000	12	024-34916-000	12	024-34916-000
173A	Harness, Fan Contactor	1	571-04180-231	1	571-04180-231	1	571-04180-231	1	571-04180-231
175	Transformer, Current (Sys. 1&3) 300 : 0.1 Ratio	6	025-21173-009	6	025-21173-009	6	025-21173-009	6	025-21173-009
176	Transformer, Current (Sys. 2&4) 300 : 0.1 Ratio	6	025-21173-009	6	025-21173-009	6	025-21173-009	6	025-21173-009
177	Fuse Holder (3 Pole)	6	025-39952-000	6	025-39952-000	6	025-39952-000	6	025-39952-000
178	Fuse (1FU, 2FU, 3FU)	6	025-39681-000	6	025-39681-000	6	025-39681-000	6	025-39681-000
182	Fuse, 30A (7-9FU, 14-16FU)	12	025-39683-000	12	025-39683-000	12	025-39683-000	12	025-39683-000
184	Fuse, 10A (4FU, 5FU, 19FU)	2	031-35905-000	2	031-35905-000	2	031-35905-000	2	031-35905-000
	Fuse, 15A	2	031-35907-000	2	031-35907-000	2	031-35907-000	2	031-35907-000
186	VSD Logic Board*	1	031-02507-002	1	031-02507-002	1	031-02507-002	1	031-02507-002
186A	VSD Logic Board (Obsolete)*	1	031-02477-002	1	031-02477-002	1	031-02477-002	1	031-02477-002

* **Note:** Must order VSD Logic Board Kit (331-02507-607) when replacing Logic Board (Kit includes EPROMs and PWM Generator - 59 & 171).

Service Note:

Locate the PANEL NUMBER nameplate on the lower right hand outside corner of the power panel, then refer to the appropriate parts list for that number. Or, identify PIN number positions 16 and 17 on unit identification late (See example on Page 4) then compare to table above for power configuration options.

Variable Speed Drive

VARIABLE SPEED DRIVE PANEL COMPONENTS (CONT'D)

TABLE 16 – VARIABLE SPEED DRIVE VARIABLE PARTS - 4 COMPRESSOR MODELS (SEE. FIGS. 8A-8E, PAGES 40-44) (CONT'D)

Item Number	Description	371-04180-105* -40		371-04180-106* -50		371-04180-107* -46		371-04180-108* -58	
		Qty	Part Number	Qty	Part Number	Qty	Part Number	Qty	Part Number
151	Single Point Terminal Block Kit	-	N/A	-	N/A	-	N/A	-	N/A
152	Single Point Circuit Breaker	2	224-34966-001	2	224-34966-001	2	224-34965-001	2	224-34965-001
152A	Operator Mechanism (Shaft and Handle)	2	024-34922-00	2	024-34922-00	2	024-34922-00	2	024-34922-00
155	Microgateway Board	-	N/A	-	N/A	-	N/A	-	N/A
156	Ground Lugs	6	025-32835-000	6	025-32835-000	4	025-32835-000	4	025-32835-000
157	Inductor	2	025-39677-000	2	025-39677-000	2	025-39677-000	2	025-39677-000
166	SCR Trigger Board	2	031-02060-001	2	031-02060-002	2	031-02060-001	2	031-02060-001
167	Control Transformer 2T (System 1&3)	1	025-40114-003	1	025-40114-004	1	025-40114-003	1	025-40114-003
	Control Transformer 2T (System 2&4)	1	025-40114-001	1	025-40114-002	1	025-40114-001	1	025-40114-001
169	Cooling Fan Ass'y	1	371-04180-501	1	371-04180-502	1	371-04180-501	1	371-04180-501
170	Eprom, Microgateway	-	N/A	-	N/A	-	N/A	-	N/A
171	Eprom, Logic Board (U52)	1	031-02649-001	1	031-02649-001	1	031-02649-001	1	031-02649-001
172	VSD Power Assembly Complete (System 1&3)	1	371-04181-102	1	371-04181-102	1	371-04181-102	1	371-04181-102
	VSD Power Assembly Complete (System 2&4)	1	371-04181-103	1	371-04181-103	1	371-04181-103	1	371-04181-103
173	Fan Contactor	12	024-34916-000	12	024-34916-000	12	024-34916-000	12	024-34916-000
173A	Harness, Fan Contactor	1	571-04180-231	1	571-04180-231	1	571-04180-231	1	571-04180-231
175	Transformer, Current (Sys. 1&3) 300 : 0.1 Ratio	6	025-21173-009	6	025-21173-009	6	025-21173-009	6	025-21173-009
176	Transformer, Current (Sys. 2&4) 300 : 0.1 Ratio	6	025-21173-009	6	025-21173-009	6	025-21173-009	6	025-21173-009
177	Fuse Holder (3 Pole)	6	025-39952-000	6	025-39952-000	6	025-39952-000	6	025-39952-000
178	Fuse (1FU, 2FU, 3FU)	6	025-39681-000	6	025-39681-000	6	025-39681-000	6	025-39681-000
182	Fuse, 30A (7-9FU, 14-16FU)	12	025-39683-000	12	025-39683-000	12	025-39683-000	12	025-39683-000
184	Fuse, 10A (4FU, 5FU, 19FU)	2	031-35905-000	2	031-35905-000	2	031-35905-000	2	031-35905-000
	Fuse, 15A	2	031-35907-000	2	031-35907-000	2	031-35907-000	2	031-35907-000
186	VSD Logic Board*	1	031-02507-002	1	031-02507-002	1	031-02507-002	1	031-02507-002
186A	VSD Logic Board (Obsolete)*	1	031-02477-002	1	031-02477-002	1	031-02477-002	1	031-02477-002

* Note: Must order VSD Logic Board Kit (331-02507-607) when replacing Logic Board (Kit includes EPROMs and PWM Generator - 59 & 171).

Service Note:

Locate the PANEL NUMBER nameplate on the lower right hand outside corner of the power panel, then refer to the appropriate parts list for that number. Or, identify PIN number positions 16 and 17 on unit identification late (See example on Page 4) then compare to table above for power configuration options.

TABLE 16 – VARIABLE SPEED DRIVE VARIABLE PARTS - 4 COMPRESSOR MODELS (SEE. FIGS. 8A-8E, PAGES 40-44) (CONT'D)

Item Number	Description	371-04180-109* -40		371-04180-110* -50		371-04180-111* -46		371-04180-112* -58	
		Qty	Part Number	Qty	Part Number	Qty	Part Number	Qty	Part Number
151	Single Point Terminal Block Kit	2	371-04460-002	2	371-04460-002	2	371-04460-004	2	371-04460-001
152	Single Point Circuit Breaker	-	N/A	-	N/A	-	N/A	-	N/A
152A	Operator Mechanism (Shaft and Handle)	-	N/A	-	N/A	-	N/A	-	N/A
155	Microgateway Board	1	031-02039-000	1	031-02039-000	1	031-02039-000	1	031-02039-000
156	Ground Lugs	6	025-32835-000	6	025-32835-000	4	025-32835-000	4	025-32835-000
157	Inductor	2	025-39677-000	2	025-39677-000	2	025-39677-000	2	025-39677-000
166	SCR Trigger Board	2	031-02060-001	2	031-02060-002	2	031-02060-001	2	031-02060-001
167	Control Transformer 2T (System 1&3)	1	025-40114-003	1	025-40114-004	1	025-40114-003	1	025-40114-003
	Control Transformer 2T (System 2&4)	1	025-40114-001	1	025-40114-002	1	025-40114-001	1	025-40114-001
169	Cooling Fan Ass'y	1	371-04180-501	1	371-04180-502	1	371-04180-501	1	371-04180-501
170	Eprom, Microgateway	1	031-02200-005	1	031-02200-005	1	031-02200-005	1	031-02200-005
171	Eprom, Logic Board (U52)	1	031-02649-001	1	031-02649-001	1	031-02649-001	1	031-02649-001
172	VSD Power Assembly Complete (System 1&3)	1	371-04181-102	1	371-04181-102	1	371-04181-102	1	371-04181-102
	VSD Power Assembly Complete (System 2&4)	1	371-04181-103	1	371-04181-103	1	371-04181-103	1	371-04181-103
173	Fan Contactor	12	024-34916-000	12	024-34916-000	12	024-34916-000	12	024-34916-000
173A	Harness, Fan Contactor	1	571-04180-231	1	571-04180-231	1	571-04180-231	1	571-04180-231
175	Transformer, Current (Sys. 1&3) 300 : 0.1 Ratio	6	025-21173-009	6	025-21173-009	6	025-21173-009	6	025-21173-009
176	Transformer, Current (Sys. 2&4) 300 : 0.1 Ratio	6	025-21173-009	6	025-21173-009	6	025-21173-009	6	025-21173-009
177	Fuse Holder (3 Pole)	6	025-39952-000	6	025-39952-000	6	025-39952-000	6	025-39952-000
178	Fuse (1FU, 2FU, 3FU)	6	025-39681-000	6	025-39681-000	6	025-39681-000	6	025-39681-000
182	Fuse, 30A (7-9FU, 14-16FU)	12	025-39683-000	12	025-39683-000	12	025-39683-000	12	025-39683-000
184	Fuse, 10A (4FU, 5FU, 19FU)	2	031-35905-000	2	031-35905-000	2	031-35905-000	2	031-35905-000
	Fuse, 15A	2	031-35907-000	2	031-35907-000	2	031-35907-000	2	031-35907-000
186	VSD Logic Board*	1	031-02507-002	1	031-02507-002	1	031-02507-002	1	031-02507-002
186A	VSD Logic Board (Obsolete)*	1	031-02477-002	1	031-02477-002	1	031-02477-002	1	031-02477-002

* Note: Must order VSD Logic Board Kit (331-02507-607) when replacing Logic Board (Kit includes EPROMs and PWM Generator - 59 & 171).

Service Note:

Locate the PANEL NUMBER nameplate on the lower right hand outside corner of the power panel, then refer to the appropriate parts list for that number. Or, identify PIN number positions 16 and 17 on unit identification late (See example on Page 4) then compare to table above for power configuration options.

Variable Speed Drive

TABLE 16 – VARIABLE SPEED DRIVE VARIABLE PARTS - 4 COMPRESSOR MODELS (SEE. FIGS. 8A-8E, PAGES 40-44) (CONT'D)

Item Number	Description	371-04180-113* -40		371-04180-114* -50		371-04180-115* -46		371-04180-116* -58	
		Qty	Part Number	Qty	Part Number	Qty	Part Number	Qty	Part Number
151	Single Point Terminal Block Kit	-	N/A	-	N/A	-	N/A	-	N/A
152	Single Point Circuit Breaker	2	224-34966-001	2	224-34966-001	2	224-34965-001	2	224-34965-001
152A	Operator Mechanism (Shaft and Handle)	2	024-34922-00	2	024-34922-00	2	024-34922-00	2	024-34922-00
155	Microgateway Board	1	031-02039-000	1	031-02039-000	1	031-02039-000	1	031-02039-000
156	Ground Lugs	6	025-32835-000	6	025-32835-000	4	025-32835-000	4	025-32835-000
157	Inductor	2	025-39677-000	2	025-39677-000	2	025-39677-000	2	025-39677-000
166	SCR Trigger Board	2	031-02060-001	2	031-02060-002	2	031-02060-001	2	031-02060-001
167	Control Transformer 2T (System 1&3)	1	025-40114-003	1	025-40114-004	1	025-40114-003	1	025-40114-003
	Control Transformer 2T (System 2&4)	1	025-40114-001	1	025-40114-002	1	025-40114-001	1	025-40114-001
169	Cooling Fan Ass'y	1	371-04180-501	1	371-04180-502	1	371-04180-501	1	371-04180-501
170	Eprom, Microgateway	1	031-02200-005	1	031-02200-005	1	031-02200-005	1	031-02200-005
171	Eprom, Logic Board (U52)	1	031-02649-001	1	031-02649-001	1	031-02649-001	1	031-02649-001
172	VSD Power Assembly Complete (System 1&3)	1	371-04181-102	1	371-04181-102	1	371-04181-102	1	371-04181-102
	VSD Power Assembly Complete (System 2&4)	1	371-04181-103	1	371-04181-103	1	371-04181-103	1	371-04181-103
173	Fan Contactor	12	024-34916-000	12	024-34916-000	12	024-34916-000	12	024-34916-000
173A	Harness, Fan Contactor	1	571-04180-231	1	571-04180-231	1	571-04180-231	1	571-04180-231
175	Transformer, Current (Sys. 1&3) 300 : 0.1 Ratio	6	025-21173-009	6	025-21173-009	6	025-21173-009	6	025-21173-009
176	Transformer, Current (Sys. 2&4) 300 : 0.1 Ratio	6	025-21173-009	6	025-21173-009	6	025-21173-009	6	025-21173-009
177	Fuse Holder (3 Pole)	6	025-39952-000	6	025-39952-000	6	025-39952-000	6	025-39952-000
178	Fuse (1FU, 2FU, 3FU)	6	025-39681-000	6	025-39681-000	6	025-39681-000	6	025-39681-000
182	Fuse, 30A (7-9FU, 14-16FU)	12	025-39683-000	12	025-39683-000	12	025-39683-000	12	025-39683-000
184	Fuse, 10A (4FU, 5FU, 19FU)	2	031-35905-000	2	031-35905-000	2	031-35905-000	2	031-35905-000
	Fuse, 15A	2	031-35907-000	2	031-35907-000	2	031-35907-000	2	031-35907-000
186	VSD Logic Board*	1	031-02507-002	1	031-02507-002	1	031-02507-002	1	031-02507-002
186A	VSD Logic Board (Obsolete)*	1	031-02477-002	1	031-02477-002	1	031-02477-002	1	031-02477-002

* Note: Must order VSD Logic Board Kit (331-02507-607) when replacing Logic Board (Kit includes EPROMs and PWM Generator - 59 & 171).

Service Note:

Locate the PANEL NUMBER nameplate on the lower right hand outside corner of the power panel, then refer to the appropriate parts list for that number. Or, identify PIN number positions 16 and 17 on unit identification late (See example on Page 4) then compare to table above for power configuration options.

This page intentionally left blank

VARIABLE SPEED DRIVE PANEL COMPONENTS (CONT'D)



AUTOTRANSFORMER

TABLE 16 - AUTOTRANSFORMER

MODEL YCAV	VOLTAGE CODE	QUANTITY PER UNIT	YORK PART NUMBER	
			PIN #9 = S OR P	PIN #9 = E OR V
0267-0357	17	1	371-55898-001	
	28	1	371-55898-002	
	40	1	371-55898-006	
	46	n/a	Not Required	
	50	1	371-55898-007	
	58	1	371-55898-008	
0397	40	1	371-55898-006	371-55898-009
	46	n/a	Not Required	Not Required
	50	1	371-55898-007	371-55898-010
	58	1	371-55898-008	371-55898-011
0417-0527	40	1	371-55898-009	
	46	n/a	Not Required	
	50	1	371-55898-010	
	58	1	371-55898-011	

Variable Speed Drive

VARIABLE SPEED DRIVE PANEL COMPONENTS (CONT'D)

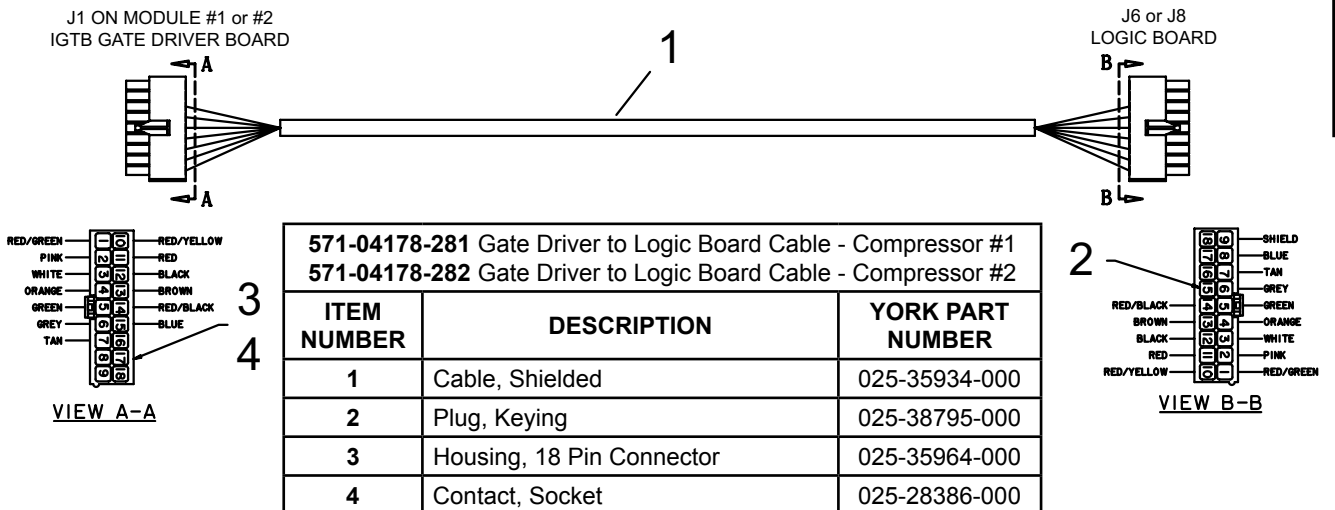
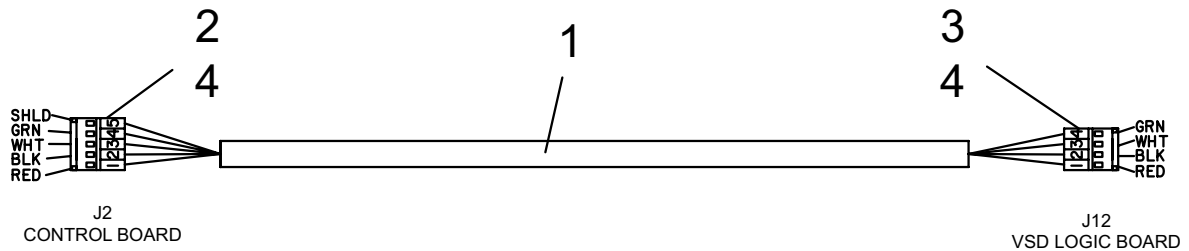
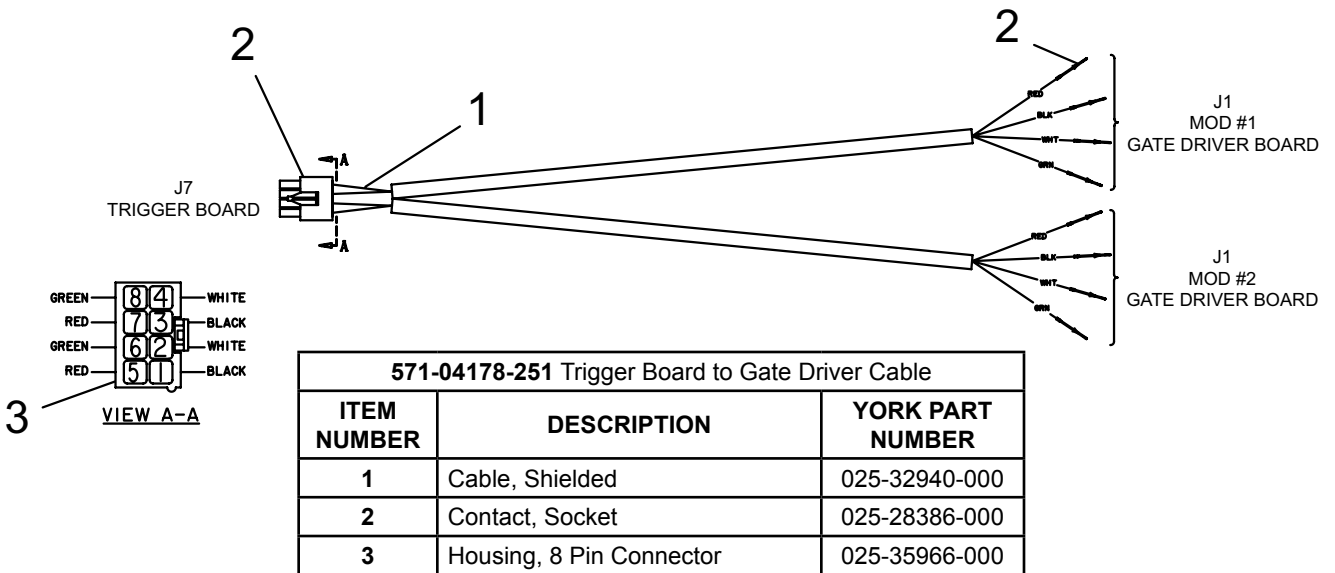


FIGURE 22 - CABLE PART NUMBERS

VARIABLE SPEED DRIVE POWER ASSEMBLY COMPONENTS - 3 COMPRESSOR UNITS

*Note: For complete VSD Power Assembly Replacement Kit see ITEM #172, PAGES 45-54. VSD Power Assembly Replacement Kit includes all necessary items including Glycol.

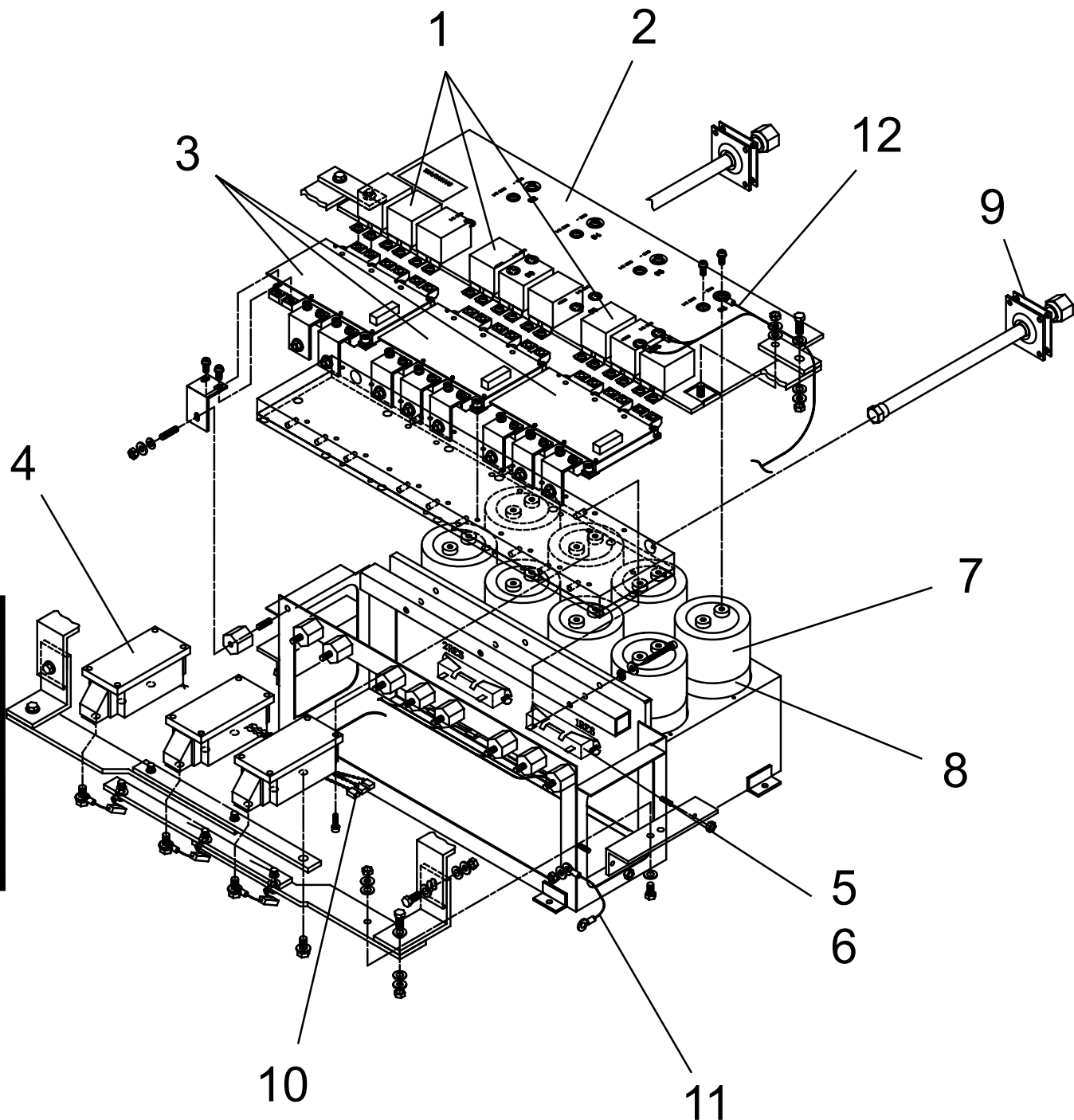


FIGURE 23 - VARIABLE SPEED DRIVE POWER ASSEMBLY COMPONENTS - 3 COMPRESSOR UNITS
(REF. TABLE 18, PAGE 59)

VARIABLE SPEED DRIVE POWER ASSEMBLY COMPONENTS - 3 COMPRESSOR UNITS (CONT'D)

**TABLE 17 - VARIABLE SPEED DRIVE (371-04192-101) POWER ASSEMBLY COMPONENTS -
3 COMPRESSOR UNITS (SEE FIG. 23, PAGE 58)**

ITEM NUMBER	QUANTITY PER UNIT	DESCRIPTION	YORK PART NUMBER
1	9	Capacitor (Igbt Snubber)	025-35972-000
2	1	Buss Plate Kit	371-04538-001
3	3	IGBT Assembly Kit*	371-04479-001
4	3	SCR/Diode Module Replacement Kit	371-04539-001
5	2	Resistor	025-35157-000
6	2	Thermal Pad	028-15299-000
7	8	Capacitor (Buss)	025-39573-000
8	8	Insulator, Capacitor	071-02769-319
9	2	Gasket	028-15113-000
10	1	Harness, Scr To Trigger Bd.	571-04192-221
11	1	Harness, Ground	571-04181-242
12	1	Harness, Equalizer	571-04192-241

*Note: Includes IGBT Gate Driver and IGBT Module as an assembly. DO NOT attempt to replace the IGBT Gate Driver or the IGBT Module individually.

VARIABLE SPEED DRIVE POWER ASSEMBLY COMPONENTS - 4 COMPRESSOR UNITS

*Note: For complete VSD Power Assembly Replacement Kit see ITEM #172, PAGES 45-54. VSD Power Assembly Replacement Kit includes all necessary items including Glycol.

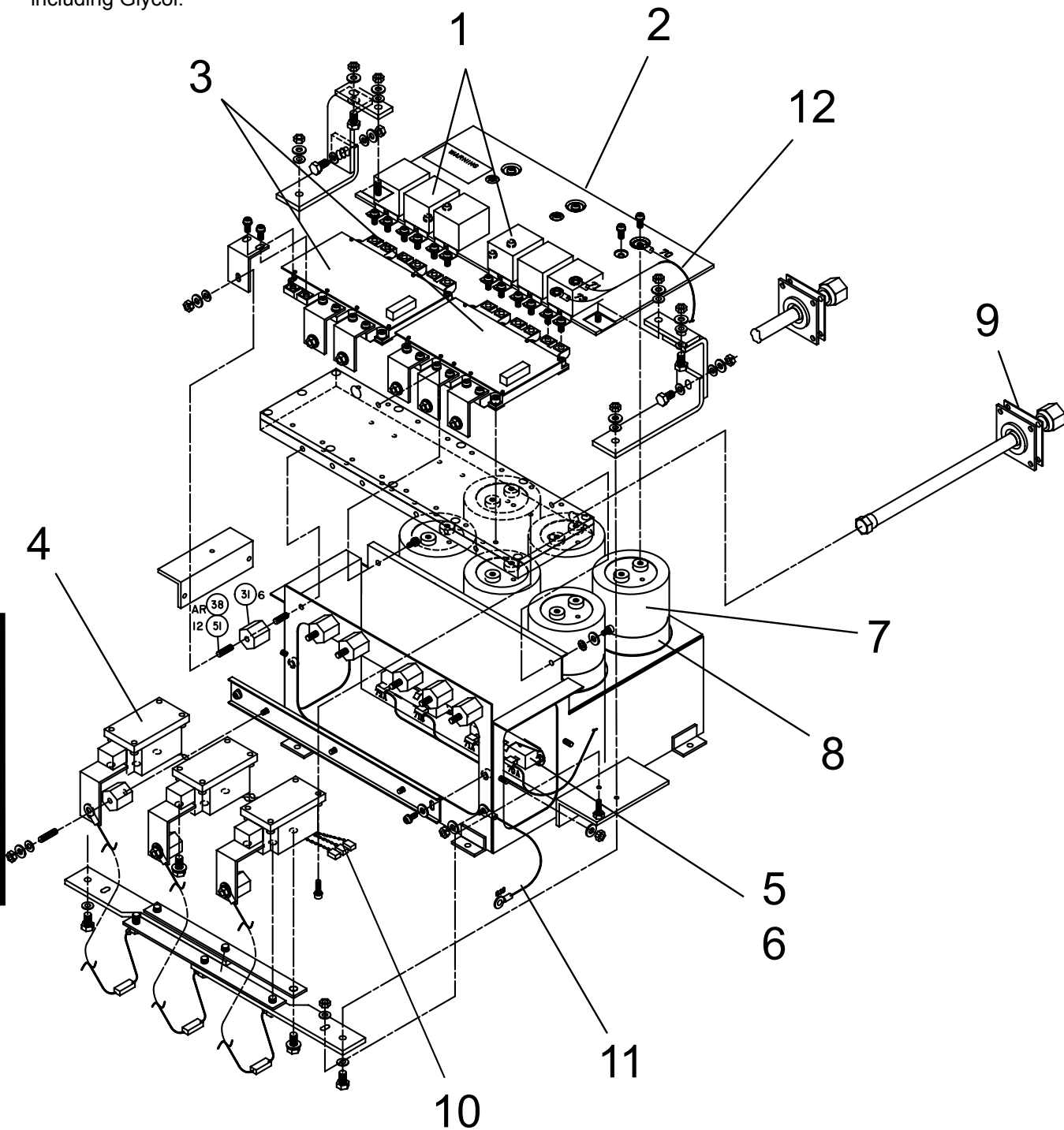


FIGURE 24 - VARIABLE SPEED DRIVE POWER ASSEMBLY COMPONENTS - 4 COMPRESSOR UNITS
(REF. TABLE 19, PAGE 61)

VARIABLE SPEED DRIVE POWER ASSEMBLY COMPONENTS - 4 COMPRESSOR UNITS (CONT'D)

TABLE 18 - VARIABLE SPEED DRIVE POWER ASSEMBLY COMPONENTS (USE 371-04181-102 FOR SYSTEMS 1 AND 3 & USE 371-04181-103 FOR SYSTEMS 2 AND 4) - 4 COMPRESSOR UNITS (SEE FIG. 24, PAGE 60)

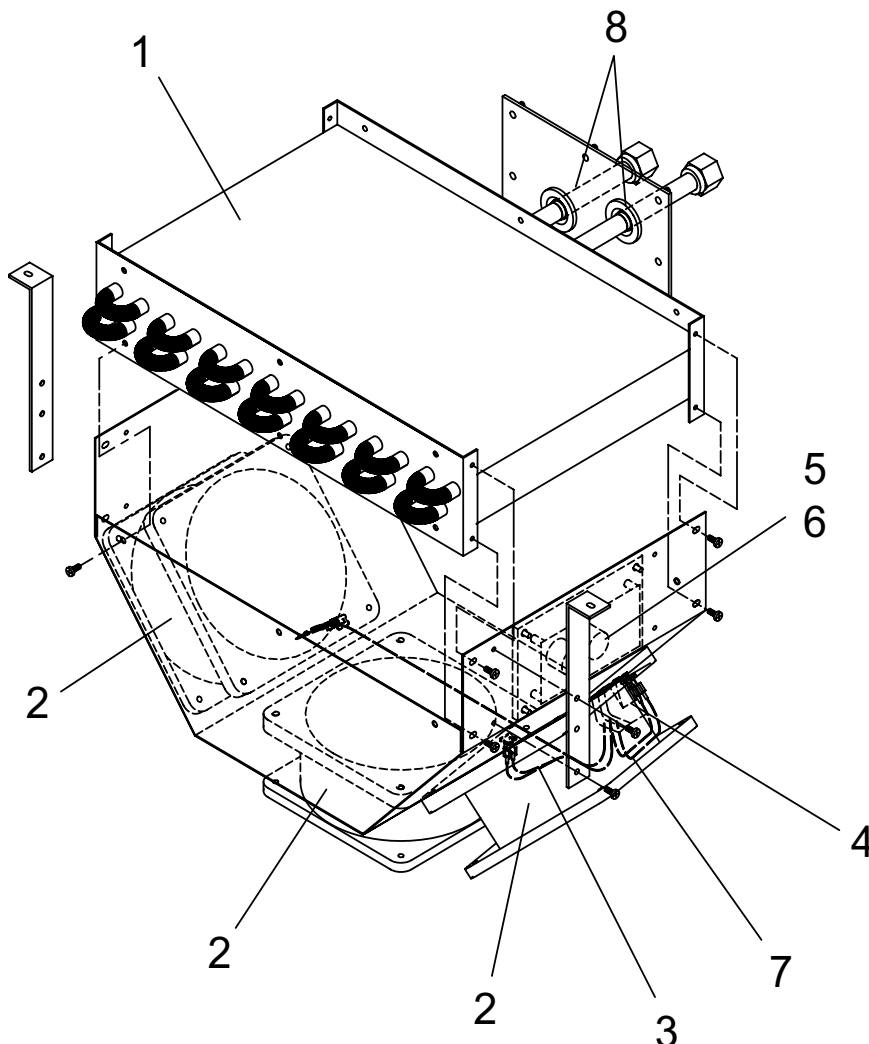
ITEM NUMBER	QUANTITY PER UNIT	DESCRIPTION	YORK PART NUMBER
1	12	Capacitor (Igbt Snubber)	025-35972-000
2	2	Buss Plate Kit	371-04477-001
3	4	Igbt Assembly Kit*	371-04479-001
4	6	Scr/Diode Module Replacement Kit	371-04478-001
5	4	Resistor	025-35157-000
6	4	Thermal Pad	028-15299-000
7	12	Capacitor (Buss)	025-39573-000
8	12	Insulator, Capacitor	071-02769-319
9	4	Gasket	028-15113-000
10	2	Harness, Scr To Trigger Bd. (-102)	571-04181-223
		Harness, Scr To Trigger Bd. (-103)	571-04181-225
11	2	Harness, Ground (-102)	571-04181-245
		Harness, Ground (-103)	571-04181-248
12	2	Harness, Equalizer (-102)	571-04181-244
		Harness, Equalizer (-103)	571-04181-247

*Note: Includes IGBT Gate Driver and IGBT Module as an assembly. DO NOT attempt to replace the IGBT Gate Driver or the IGBT Module individually.

VARIABLE SPEED DRIVE PANEL COOLING FAN ASSEMBLY COMPONENTS - 3 COMPRESSOR UNITS

TABLE 19 - VARIABLE SPEED DRIVE FAN ASSEMBLY COMPONENTS 3 COMPRESSOR UNITS
(SEE FIG. 25)

ITEM NUMBER	QUANTITY PER UNIT	DESCRIPTION	YORK PART NUMBER
1	1	Coil, Glycol Cooling	026-41590-000
2	3	Fan, Cooling 115V	025-40105-000
3	1	Harness, Fan Assembly	571-04179-241
4	2	Terminal Block	025-20944-000
5	1	Inverter (50Hz Only)	031-02533-000
6	AR	Compound, Heat Conductive (Use With Item #5)	013-02997-000
7	1	Harness, Inverter (50Hz Only)	571-04179-243
8	2	Grommet	028-04873-000



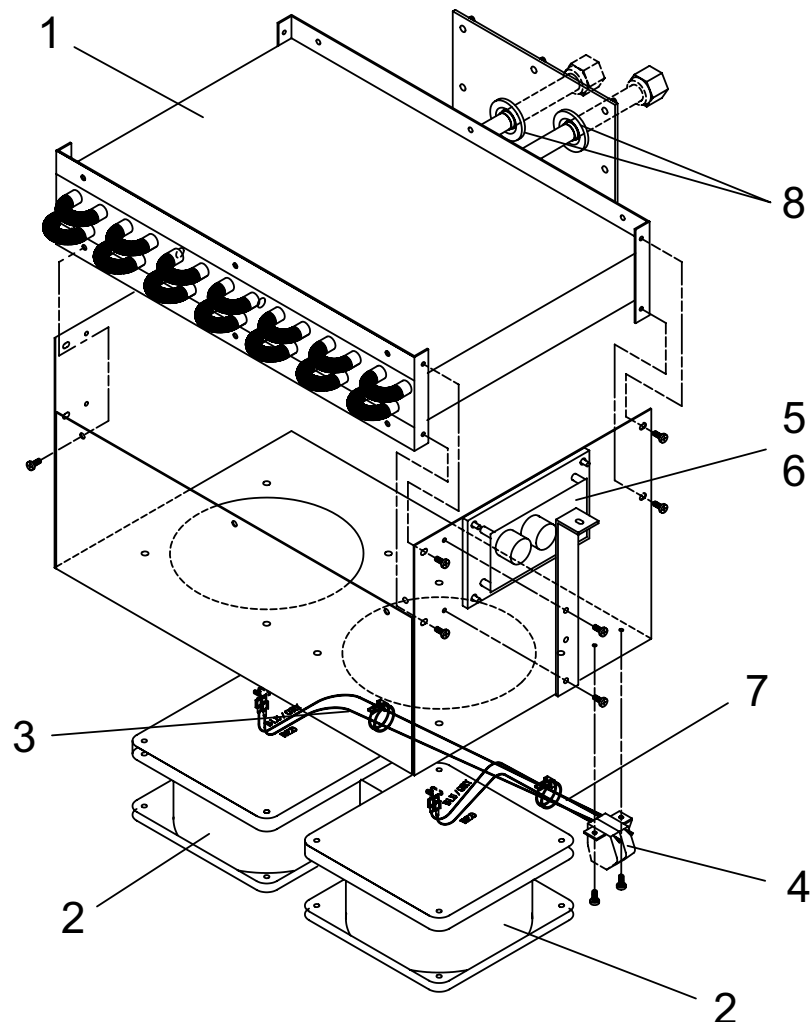
04179-500c

FIGURE 25 - VARIABLE SPEED DRIVE FAN ASSEMBLY COMPONENTS 3 COMPRESSOR UNITS
(REF. TABLE 20)

VARIABLE SPEED DRIVE PANEL COOLING FAN ASSEMBLY COMPONENTS - 4 COMPRESSOR UNITS

TABLE 20 - VARIABLE SPEED DRIVE FAN ASSEMBLY COMPONENTS 4 COMPRESSOR UNITS
(SEE FIG. 26)

ITEM NUMBER	QUANTITY PER UNIT	DESCRIPTION	YORK PART NUMBER
1	2	Coil, Glycol Cooling	026-41590-000
2	4	Fan, Cooling 115V	025-40105-000
3	1	Harness, Fan Assembly	571-04179-245
4	4	Terminal Block	025-20944-000
5	2	Inverter (50Hz Only)	031-02533-000
6	AR	Compound, Heat Conductive (Use With Item #5)	013-02997-000
7	1	Harness, Inverter (50Hz Only)	571-04179-246
8	4	Grommet	028-04873-000

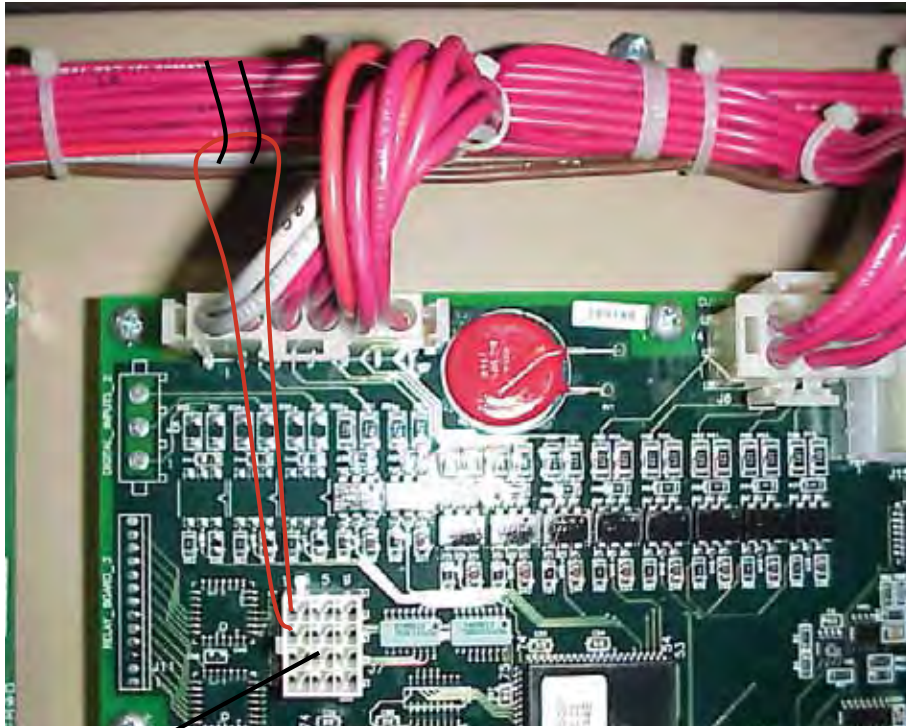


Variable Speed Drive

04180-500

FIGURE 26 - VARIABLE SPEED DRIVE FAN ASSEMBLY COMPONENTS 4 COMPRESSOR UNITS
(REF. TABLE 21)

PLUG / JUMPER ARRANGEMENT



CONTROL BOARD J7


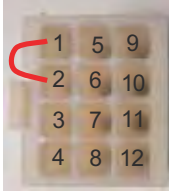
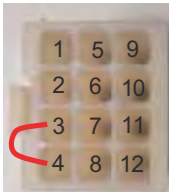
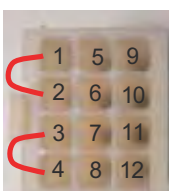
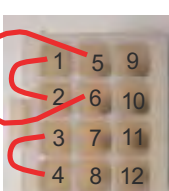
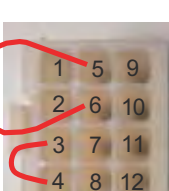
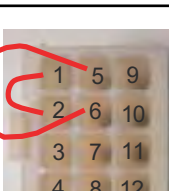
PARTIAL VIEW OF CONTROL BOARD

Variable Speed Drive

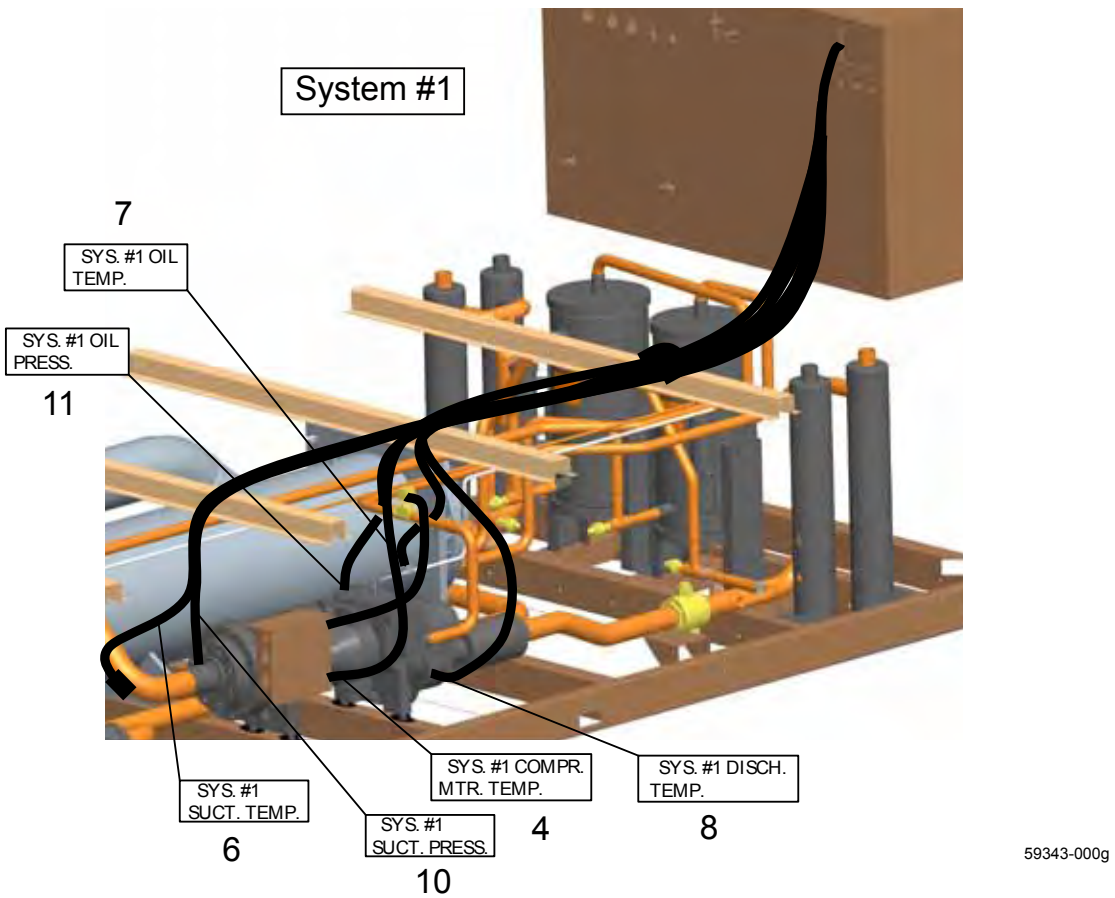
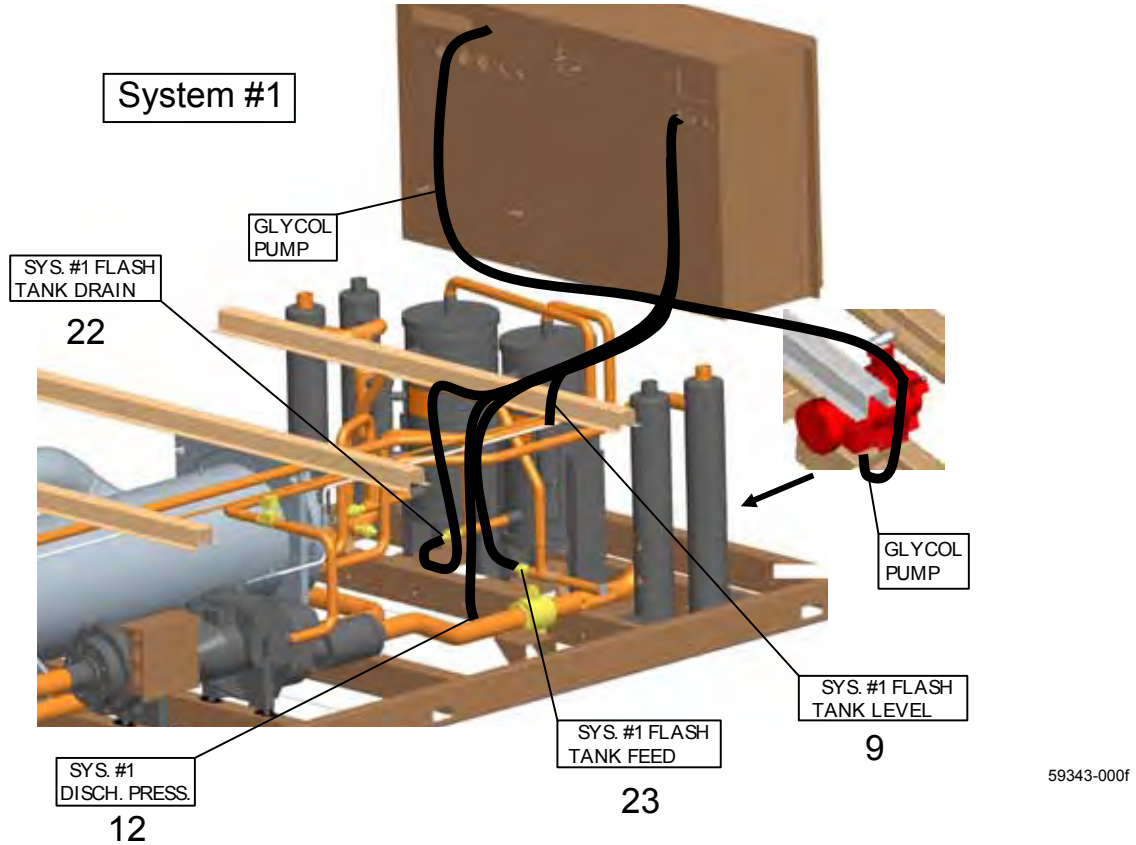
FIGURE 27 - PLUG / JUMPER ARRANGEMENT (REF. TABLE 22, PAGE 65)

PLUG / JUMPER ARRANGEMENT (CONT'D)

TABLE 21 - PLUG / JUMPER ARRANGEMENT (SEE FIG. 11, PAGE 64)

PLUG / JUMPER ARRANGEMENT			
PLUG P/N	JUMPER DETAIL	MODELS 60HZ	MAX VSD FREQUENCY
371-04484-101		YCAV0267EA/VA - YCAV0969EA/VA	182
371-04484-102		YCAV0287SA/PA - YCAV1039SA/PA	186
371-04484-103		YCAV0327EA/VA - YCAV1169EA/VA YCAV0357EA/VA - YCAV1309EA/VA YCAV0417EA/VA - YCAV1549EA/VA YCAV0457SA/PA - YCAV1649SA/PA YCAV0477EA/VA - YCAV1739EA/VA	192
371-04484-104		YCAV0267SA/PA - YCAV0969SA/PA YCAV0357SA/PA - YCAV1309SA/PA YCAV0397SA/PA - YCAV1429SA/PA YCAV0477EA/VA - YCAV1739SA/PA YCAV0507SA/PA - YCAV1829SA/PA YCAV0527SA/PA - YCAV1909SA/PA	200
371-04484-105		YCAV0417SA/PA - YCAV1549SA/PA	196
371-04484-106		YCAV0307SA/PA - YCAV1139SA/PA	188
371-04484-107		YCAV0287EA/VA - YCAV1039EA/VA YCAV0397EA/VA - YCAV1429EA/VA	178

SENSOR HARNESSSES



Sensor Harnesses

FIGURE 28 - HARNESS LAYOUT (REF. TABLE 23, PAGES 71-75)

SENSOR HARNESSSES (CONT'D)

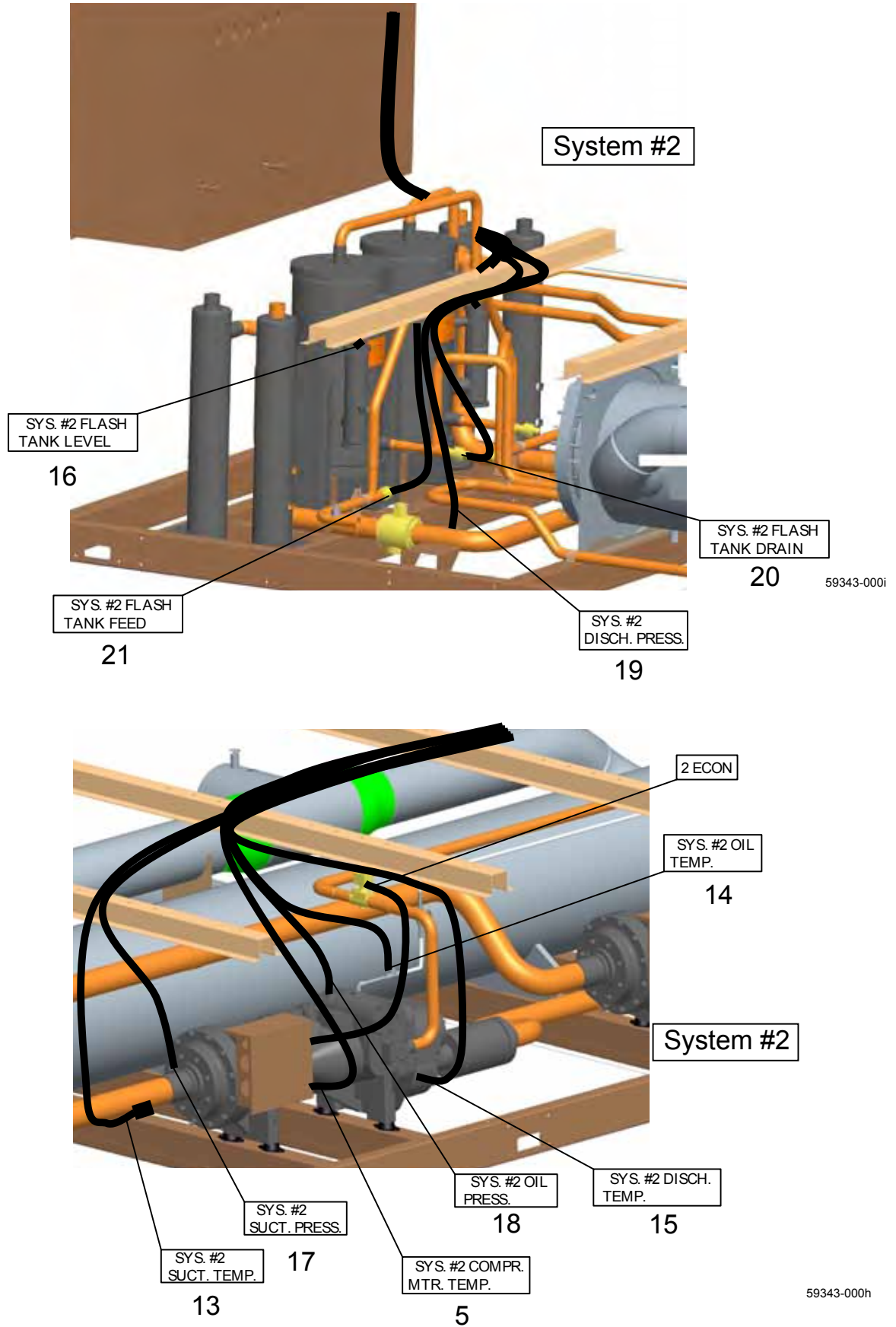
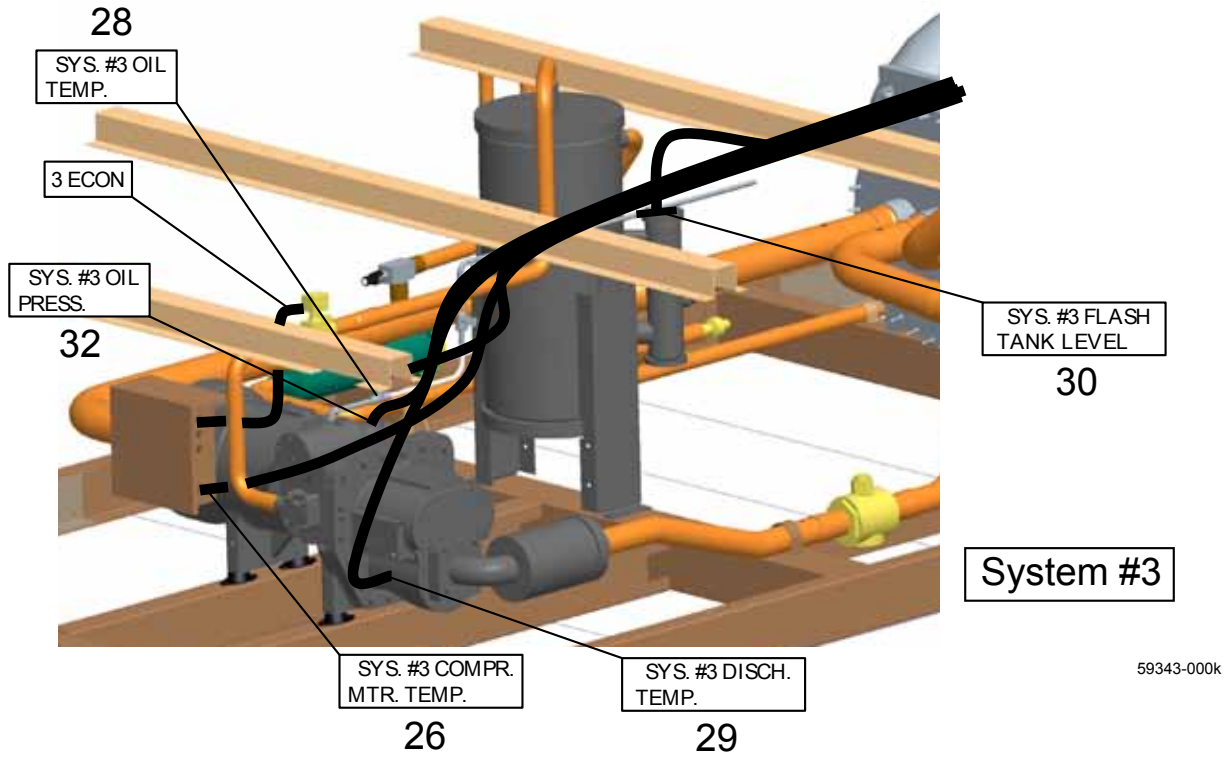
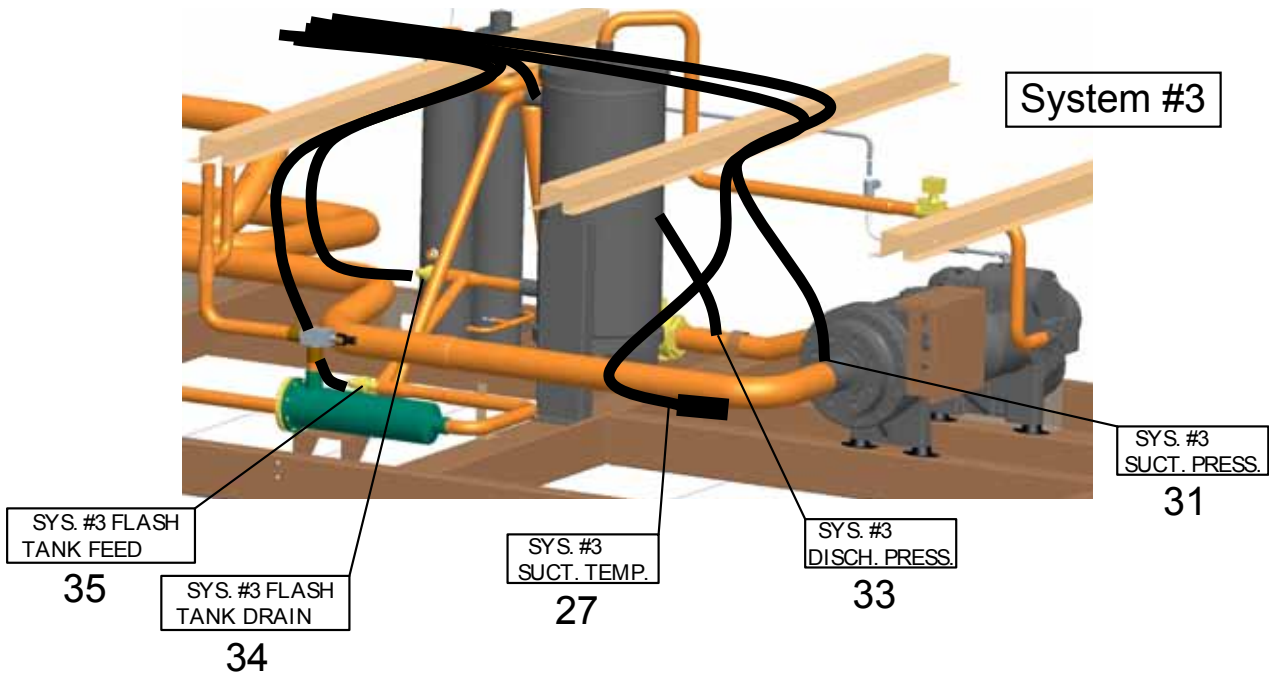


FIGURE 29 - HARNESS LAYOUT (REF. TABLE 23, PAGES 71-75)

SENSOR HARNESSSES (CONT'D)



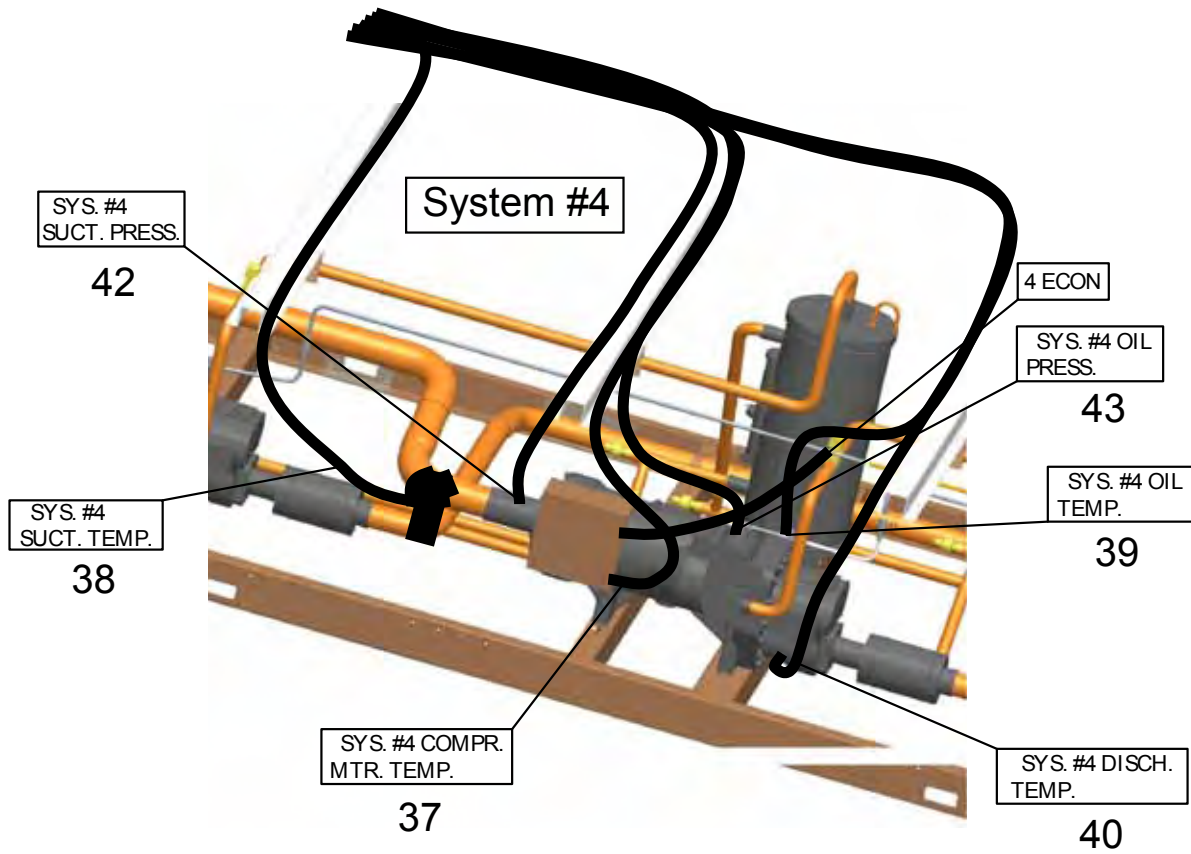
59343-000k



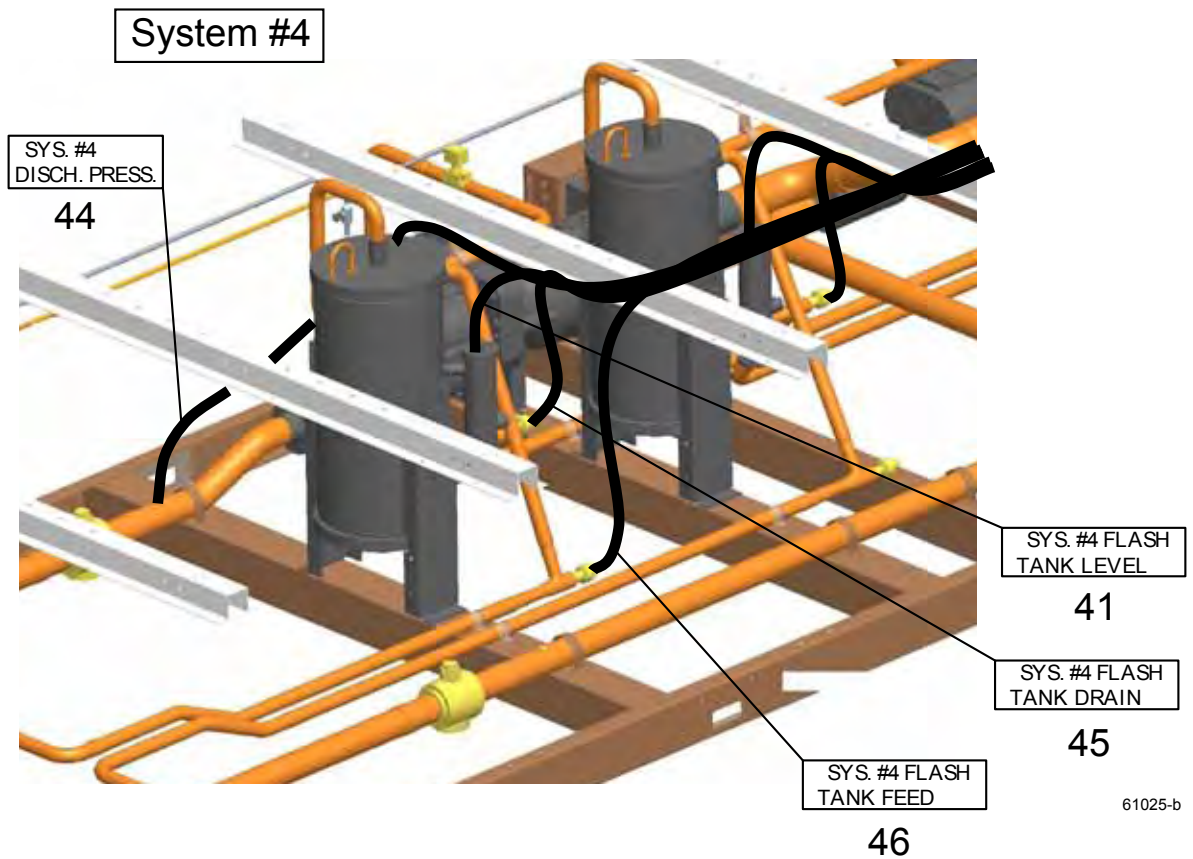
59343-000j

FIGURE 30 - HARNESS LAYOUT (REF. TABLE 23, PAGES 71-75)

SENSOR HARNESSES (CONT'D)



61025-a



61025-b

Sensor Harnesses

FIGURE 31 - HARNESS LAYOUT (REF. TABLE 23, PAGES 71-75)

SENSOR HARNESSSES (CONT'D)

59343-000d

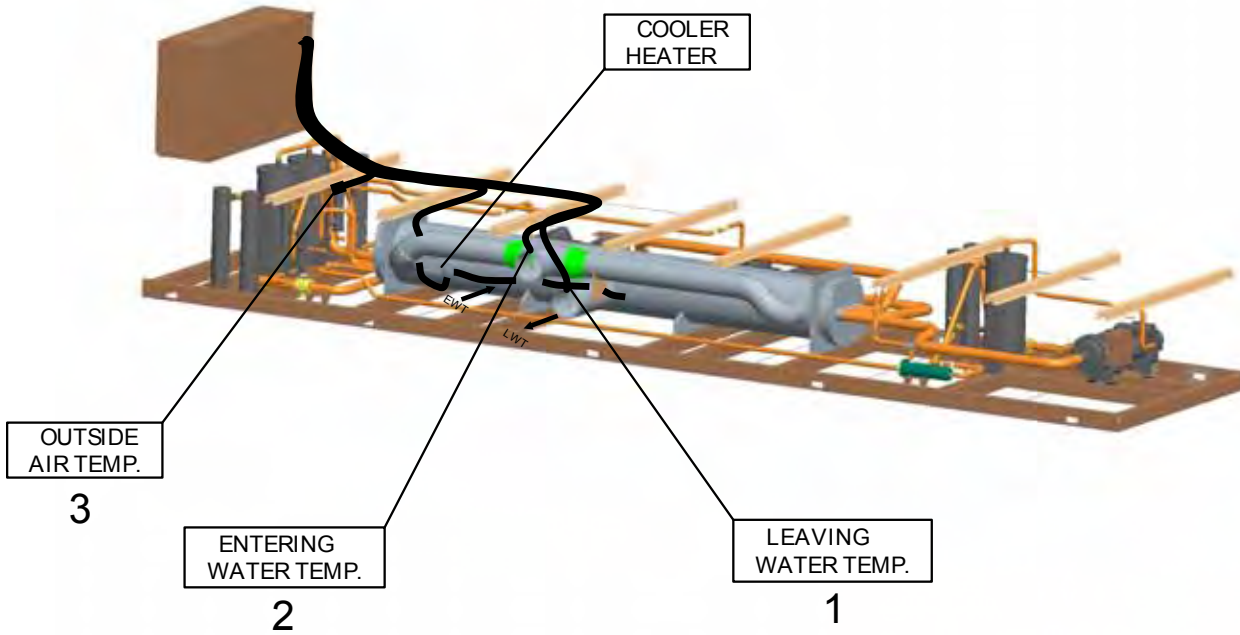



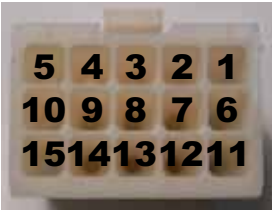


FIGURE 32 - HARNESS LAYOUT (REF. TABLE 23, PAGES 71-75)

SENSOR HARNESSSES (CONT'D)




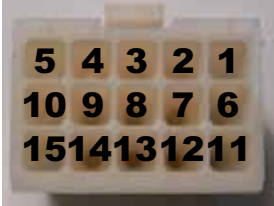
TABLE 22 - SENSOR HARNESS WIRING (SEE FIGS. 12A, 12B, 12C, 12D AND 12E, PAGES 66-70)

SYSTEM #1 SENSOR WIRING										
Plug Detail	Plug and Pin P/N	Plug "P" No.	Plug Pin No.	Wire Color	Cable #	Function	Harness Assembly Part Number			
	Plug = 025-28383-000 Pin = 025-28386-000	P26	1	Green	4	System #1 Compressor Motor Temperature	575-54455-345 (3 Comp Units) 575-54455-357 (4 Comp Units)			
			2	Red						
			3	Black						
			4	White						
						5	Drain	9	System #1 Flash Tank Level	575-54455-315
						6	White			
						7	Red			
						8	Black			
						9	Drain			
	Plug = 025-29185-000 Pin = 025-28386-000	P27	1	Black	6	System #1 Suction Temperature	575-54455-341 (3 Comp Units) 575-54455-358 (4 Comp Units)			
									2	Red
									3	Drain
	Plug = 025-28384-000 Pin = 025-28386-000	P28	1	Black	8	System #1 Discharge Temperature	575-54455-343 (3 Comp Units) 575-54455-359 (4 Comp Units)			
									2	Red
									3	Drain
						5	Green	22	System #1 Flash Tank Drain	575-54455-319
						6	Red			
						7	Black			
						8	White			
						9	Green	23	System #1 Flash Tank Feed	575-54455-320
						10	Red			
						11	Black			
						12	White			
				Plug = 025-28385-000 Pin = 025-28386-000	P29	1	White	10	System #1 Suction Pressure	575-54455-337 (3 Comp Units) 575-54455-360 (4 Comp Units)
						2	Red			
						3	Black			
						4	Drain			
						6	White			
						7	Red	11	System #1 Oil Pressure	575-54455-339 (3 Comp Units) 575-54455-361 (4 Comp Units)
						8	Black			
						9	Drain			
						11	White	12	System #1 Discharge Pressure	575-54455-306
						12	Red			
						13	Black			
						14	Drain			
						5	Black	7	System #1 Oil Temperature	575-54455-335 (3 Comp Units) 575-54455-362 (4 Comp Units)
						10	Red			
						15	Drain			

Sensor Harnesses




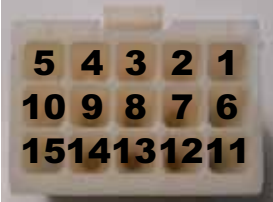
SENSOR HARNESSSES (CONT'D)

TABLE 23 – SENSOR HARNESS WIRING (SEE FIGS. 12A, 12B, 12C, 12D AND 12E, PAGES 66-70) (CONT'D)

SYSTEM #2 SENSOR WIRING										
Plug Detail	Plug and Pin P/N	Plug "P" No.	Plug Pin No.	Wire Color	Cable #	Function	Harness Assembly Part Number			
	Plug = 025-28383-001 Pin = 025-28386-000	P30	1	Green	5	System #2 Compressor Motor Temperature	575-54455-346 (3 Comp Units) 575-54455-363 (4 Comp Units)			
			2	Red						
			3	Black						
			4	White						
			5	Drain						
						6	White	16	System #2 Flash Tank Level	575-54455-316
						7	Red			
						8	Black			
						9	Drain			
	Plug = 025-29185-001 Pin = 025-28386-000	P31	1	Black	13	System #2 Suction Temperature	575-54455-342 (3 Comp Units) 575-54455-364 (4 Comp Units)			
			2	Red						
			3	Drain						
	Plug = 025-28384-001 Pin = 025-28386-000	P32	1	Black	15	System #2 Discharge Temperature	575-54455-344 (3 Comp Units) 575-54455-365 (4 Comp Units)			
			2	Red						
			3	Drain						
						5	Green	20	System #2 Flash Tank Drain	575-54455-321
						6	Red			
						7	Black			
						8	White	21	System #2 Flash Tank Feed	575-54455-322
						9	Green			
						10	Red			
						11	Black			
						12	White			
				Plug = 025-28385-001 Pin = 025-28386-000	P33	1	White	17	System #2 Suction Pressure	575-54455-338 (3 Comp Units) 575-54455-366 (4 Comp Units)
2	Red									
3	Black									
4	Drain									
						6	White	18	System #2 Oil Pressure	575-54455-340 (3 Comp Units) 575-54455-367 (4 Comp Units)
						7	Red			
						8	Black			
						9	Drain	19	System #2 Discharge Pressure	575-54455-307
						11	White			
						12	Red			
						13	Black			
						14	Drain	14	System #2 Oil Temperature	575-54455-336 (3 Comp Units) 575-54455-368 (4 Comp Units)
						5	Black			
						10	Red			
						15	Drain			

SENSOR HARNESSES (CONT'D)




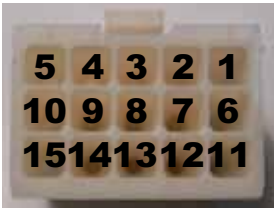
TABLE 23 – SENSOR HARNESS WIRING (SEE FIGS. 12A, 12B, 12C, 12D AND 12E, PAGES 66-70) (CONT'D)

SYSTEM #3 SENSOR WIRING										
Plug Detail	Plug and Pin P/N	Plug "P" No.	Plug Pin No.	Wire Color	Cable #	Function	Harness Assembly Part Number			
	Plug = 025-28383-002 Pin = 025-28386-000	P48	1	Green	26	System #3 Compressor Motor Temperature	575-54455-330 (3 Comp Units) 575-54455-376 (4 Comp Units)			
			2	Red						
			3	Black						
			4	White						
						5	Drain	30	System #3 Flash Tank Level	575-54455-329 (3 Comp Units) 575-54455-375 (4 Comp Units)
						6	White			
						7	Red			
						8	Black			
						9	Drain			
	Plug = 025-29185-002 Pin = 025-28386-000	P49	1	Black	27	System #3 Suction Temperature	575-54455-327 (3 Comp Units) 575-54455-373 (4 Comp Units)			
			2	Red						
			3	Drain						
	Plug = 025-28384-002 Pin = 025-28386-000	P50	1	Black	29	System #3 Discharge Temperature	575-54455-328 (3 Comp Units) 575-54455-374 (4 Comp Units)			
			2	Red						
			3	Drain						
						5	Green	34	System #3 Flash Tank Drain	575-54455-331 (3 Comp Units) 575-54455-377 (4 Comp Units)
						6	Red			
						7	Black			
						8	White			
						9	Green	35	System #3 Flash Tank Feed	575-54455-332 (3 Comp Units) 575-54455-378 (4 Comp Units)
						10	Red			
						11	Black			
						12	White			
				Plug = 025-28385-002 Pin = 025-28386-000	P51	1	White	31	System #3 Suction Pressure	575-54455-324 (3 Comp Units) 575-54455-370 (4 Comp Units)
2	Red									
3	Black									
4	Drain									
						6	White	32	System #3 Oil Pressure	575-54455-325 (3 Comp Units) 575-54455-371 (4 Comp Units)
						7	Red			
						8	Black			
						9	Drain			
						11	White	33	System #3 Discharge Pressure	575-54455-326 (3 Comp Units) 575-54455-372 (4 Comp Units)
						12	Red			
						13	Black			
						14	Drain			
						5	Black	28	System #3 Oil Temperature	575-54455-323 (3 Comp Units) 575-54455-369 (4 Comp Units)
						10	Red			
						15	Drain			

Sensor Harnesses


SENSOR HARNESSSES (CONT'D)


TABLE 23 – SENSOR HARNESS WIRING (SEE FIGS. 12A, 12B, 12C, 12D AND 12E, PAGES 66-70) (CONT'D)

SYSTEM #4 SENSOR WIRING							
Plug Detail	Plug and Pin P/N	Plug "P" No.	Plug Pin No.	Wire Color	Cable #	Function	Harness Assembly Part Number
	Plug = 025-28383-003 Pin = 025-28386-000	P52	1	Green	37	System #4 Compressor Motor Temperature	575-54455-354
			2	Red			
			3	Black			
			4	White			
			5	Drain	41	System #4 Flash Tank Level	
			6	White			
			7	Red			
			8	Black			
			9	Drain			
	Plug = 025-29185-003 Pin = 025-28386-000	P53	1	Black	38	System #4 Suction Temperature	575-54455-351
			2	Red			
			3	Drain			
	Plug = 025-28384-003 Pin = 025-28386-000	P54	1	Black	40	System #4 Discharge Temperature	575-54455-352
			2	Red			
			3	Drain			
			5	Green	45	System #4 Flash Tank Drain	
			6	Red			
			7	Black			
			8	White	46	System #4 Flash Tank Feed	
			9	Green			
			10	Red			
			11	Black			
			12	White			
				Plug = 025-28385-003 Pin = 025-28386-000	P55	1	
2	Red						
3	Black						
4	Drain						
6	White	43				System #4 Oil Pressure	
7	Red						
8	Black						
9	Drain	44				System #4 Discharge Pressure	
11	White						
12	Red						
13	Black						
14	Drain	39				System #4 Oil Temperature	
5	Black						
10	Red						
15	Drain						

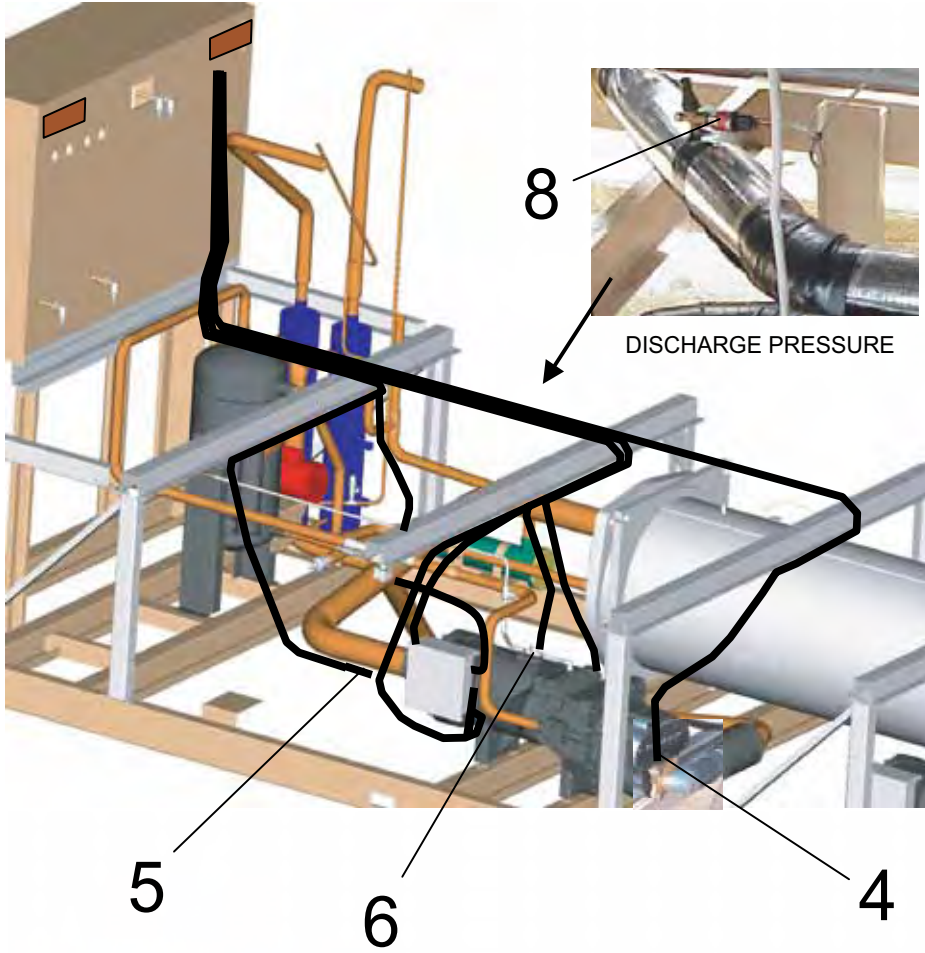
SENSOR HARNESSSES (CONT'D)

TABLE 23 – SENSOR HARNESS WIRING (SEE FIGS. 12A, 12B, 12C, 12D AND 12E, PAGES 66-70) (CONT'D)

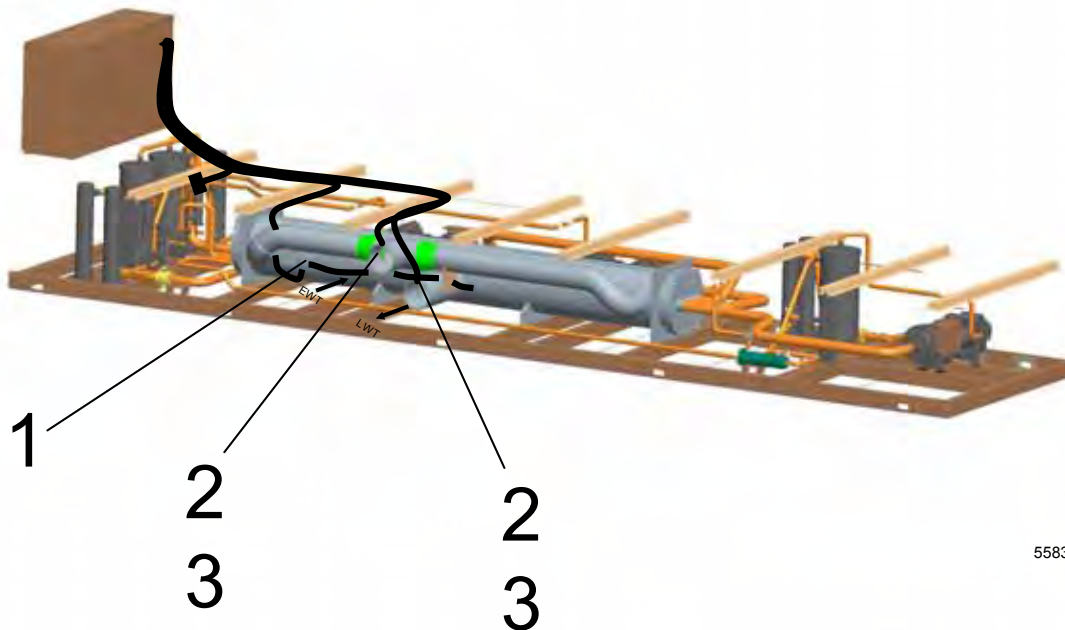
UNIT SENSOR WIRING										
Plug Detail	Plug and Pin P/N	Plug "P" No.	Plug Pin No.	Wire Color	Cable #	Function	Harness Assembly Part Number			
	Plug = 025-21192-000 Pin = 025-19673-000	P25	1	Black	1	Leaving Water Temperature	575-54455-333 (3 Compressor Units) 575-54455-379 (4 Compressor Units)			
			2	Red						
			3	Drain						
						4	Black	2	Entering Water Temperature	575-54455-334 (3 Compressor Units) 575-54455-380 (4 Compressor Units)
						5	Red			
						6	Drain			
						7	Black	3	Outside Air Temperature	575-54455-314
						8	Red			
						9	Drain			

UNIT CONTROL WIRING							
Plug Detail	Plug and Pin P/N	Plug "P" No.	Plug Pin No.	Wire Number	Cable #	Function	Harness Assembly Part Number
	Plug = 025-21417-000 Pin = 025-20919-000	P36	1	2	24	Cooler Heater	575-54455-225 (3 Compressor Units) 575-54455-238 (4 Compressor Units)
			2	29			
			3	34			
			4	Ground			

TRANSDUCERS AND TEMP SENSORS



55832-000D-1a



55832-000A-1

FIGURE 33 - TRANSDUCERS AND TEMP SENSORS (REF. TABLE 13, PAGE 77)

TRANSDUCERS AND TEMP SENSORS (CONT'D)

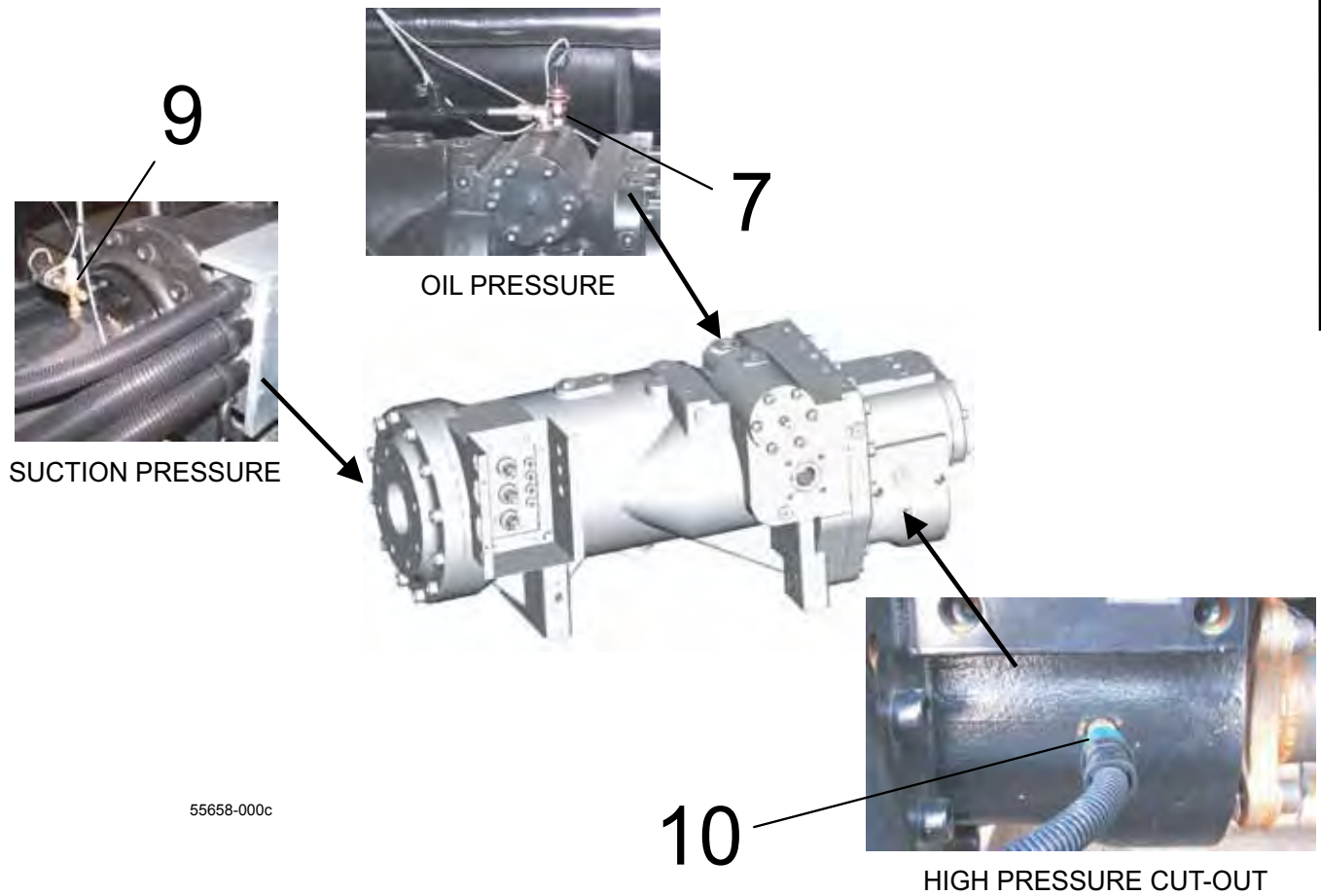


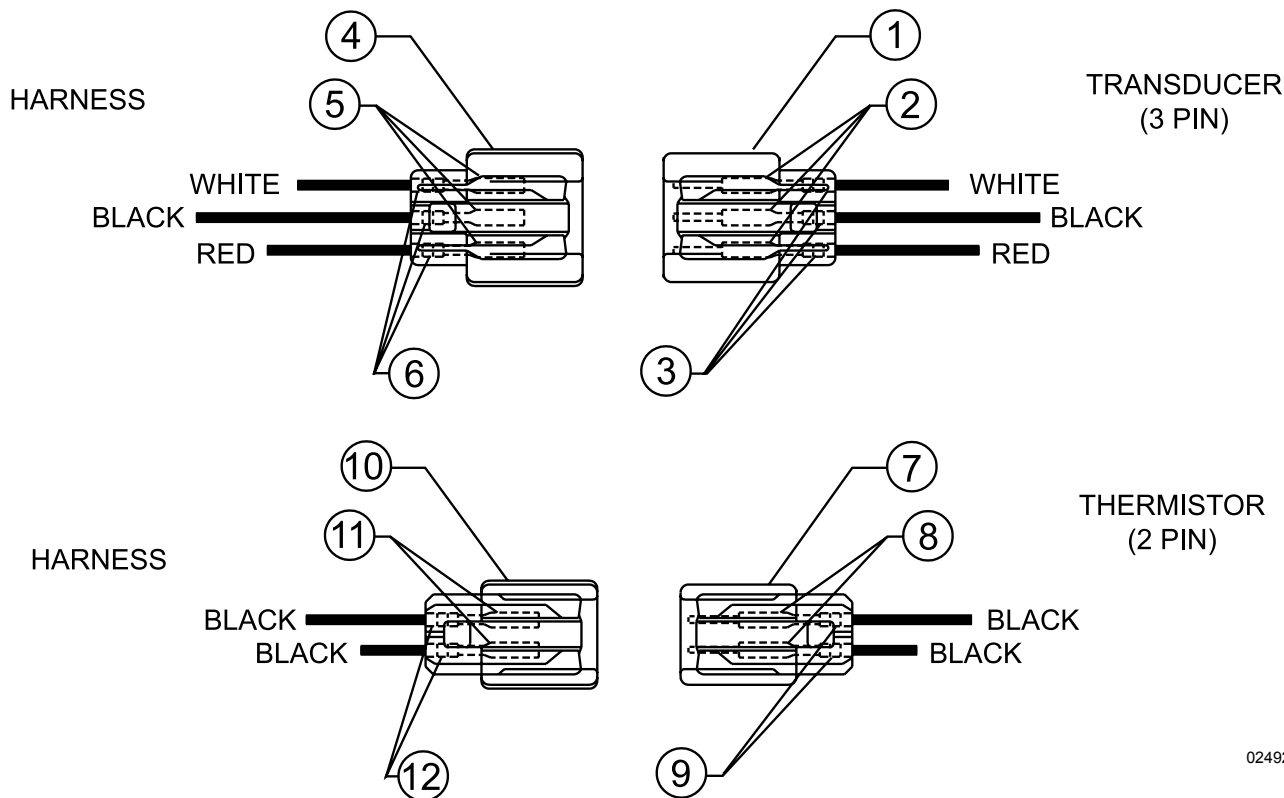
FIGURE 34 - TRANSDUCERS AND HIGH PRESSURE CUT-OUT

TABLE 23 - TRANSDUCERS, TEMP SENSORS AND HIGH PRESSURE CUT-OUT SWITCH (SEE FIGS. 33 AND 34, PAGES 76 AND 77)

ITEM #	QUANTITY	DESCRIPTION	VOLTAGE CODE	PART NUMBER
1 ^s	1	Sensor, Outside Air Temperature	All	025-28663-001
2 ^s	2	Sensor, Water Temp. (EWT, LWT)	All	025-40334-000
3	-	Compound, Heat Conductive	All	013-00898-000
4 ^s	2 per system	Sensor, Discharge Temperature	All	025-32924-000
5 ^s	1 per system	Sensor, Suction Temperature	All	025-29964-000
6 ^s	1 per system	Sensor, Oil Temperature	All	025-30440-000
7 ^s	1 per system	Transducer, Oil Pressure (0-275psi)	All	025-29139-003
8 ^s	1 per system	Transducer, Discharge Pressure (0-275psi)	All	025-29139-003
9 ^s	1 per system	Transducer, Suction Pressure (0-125psi)	All	025-29583-001
10	1 per system	High Pressure Cut Out Switch	All	025-39956-000

^sRecommended Spare Part

TRANSDUCER AND THERMISTOR WIRE HARNESS CONNECTORS - FIELD REPLACEMENT PART NUMBERS



02492-2b

ITEM NO.	LOCATION	DESCRIPTION	PINS	PART NUMBER
1	Transducer	Plug Connector	3 Pin End	025-28953-000
2		Contact Pins		025-28949-000
3		Rubber Collar		025-28950-000
4	Wire Harness	Plug Connector	3 Pin End	025-28954-000
5		Contact Pins		025-28952-000
6		Rubber Collar		025-28950-000
7	Temperature Sensor	Plug Connector	2 Pin End	025-28948-000
8		Contact Pins		025-28949-000
9		Rubber Collar		025-28950-000
10	Wire Harness	Plug Connector	2 Pin End	025-28951-000
11		Contact Pins		025-28952-000
12		Rubber Collar		025-28950-000

^s Recommended Spare Part

FIGURE 35 - TRANSDUCER AND THERMISTOR WIRE HARNESS CONNECTORS - FIELD REPLACEMENT PART NUMBERS

VIBRATION ISOLATORS

TABLE 24 - INDIVIDUAL VIBRATION ISOLATOR PART NUMBERS

ONE INCH DEFLECTION SPRING ISOLATOR CROSS REFERENCE				
FOR UNITS WITH ALL POINT LOADS LESS THAN 1404 LBS. (637 KG.)				
WEIGHT RANGE (lbs.)	WEIGHT RANGE (kg.)	VENDOR PART NUMBER	COLOR	YORK PART NUMBER
239 to 384 lbs.	108 to 174 kg.	CIP-B-450	RED	029-24583-002
384 to 639 lbs.	174 to 290 kg.	CIP-B-750	WHITE	029-24583-003
639 to 851 lbs.	290 to 386 kg.	CIP-B-1000	BLUE	029-24583-004
851 to 1064 lbs.	386 to 483 kg.	CIP-B-1250	GRAY	029-24583-005
1064 to 1404 lbs.	483 to 637 kg.	CIP-B-1650	BLACK	029-24583-006
FOR UNITS WITH ANY POINT LOAD ABOVE 1404 LBS. (637 KG.)				
WEIGHT RANGE (lbs.)	WEIGHT RANGE (kg.)	VENDOR PART NUMBER	COLOR	YORK PART NUMBER
Up to 851 lbs.	Up to 386 kg.	CIP-C-1000	BLACK	029-24583-007
851 to 1149 lbs.	386 to 521 kg.	CIP-C-1350	YELLOW	029-24583-008
1149 to 1489 lbs.	521 to 675 kg.	CIP-C-1750	RED W/ BLACK	029-24583-009
1489 to 1786 lbs.	675 to 910 kg.	CIP-C-2100	RED W/ YELLOW	029-24583-010
1786 to 2028 lbs.	910 to 920 kg.	CIP-C-2385	GREEN W/ YELLOW	029-24583-011
2028 to 2254 lbs.	920 to 1022 kg.	CIP-C-2650	RED W/ RED	029-24583-012
2254 to 2936 lbs.	1022 to 1332 kg.	CIP-C-2935	GREEN W/ RED	029-24583-013

NEOPRENE ISOLATOR CROSS REFERENCE				
WEIGHT RANGE (lbs.)	WEIGHT RANGE (kg.)	VENDOR PART NUMBER	COLOR	YORK PART NUMBER
Up to 751 lbs.	Up to 341 kg.	ND-C	YELLOW	029-24584-001
751 to 1651 lbs.	341 to 749 kg.	ND-D	YELLOW	029-24584-002
1651 to 3226 lbs.	749 to 1463 kg.	ND-DS	YELLOW	029-24584-004

TWO INCH DEFLECTION, SEISMIC SPRING ISOLATOR CROSS REFERENCE				
WEIGHT RANGE (lbs.)	WEIGHT RANGE (kg.)	VENDOR PART NUMBER	COLOR	YORK PART NUMBER
Up to 358 lbs.	Up to 162 kg.	SLRS-2-C2-420	RED	029-24585-006
358 to 443 lbs.	162 to 201 kg.	SLRS-2-C2-520	WHITE	029-24585-007
443 to 582 lbs.	201 to 264 kg.	SLRS-2-C2-660	BLACK	029-24585-008
582 to 783 lbs.	264 to 335 kg.	SLRS-2-C2-920	BLUE	029-24585-009
783 to 1038 lbs.	335 to 471 kg.	SLRS-2-C2-1220	GREEN	029-24585-010
1038 to 1497 lbs.	471 to 679 kg.	SLRS-2-C2-1760	GRAY	029-24585-011
1497 to 2058 lbs.	679 to 933 kg.	SLRS-2-C2-2420	SILVER	029-24585-012
2058 to 2619 lbs.	933 to 1188 kg.	SLRS-2-C2-3080	GRAY W/ RED	029-24585-013
2619 to 3180 lbs.	1188 to 1442 kg.	SLRS-2-C2-3740	SILVER W/ RED	029-24585-014

YCAV CHILLER OPTIONS

TABLE 25 - FIELD INSTALLED OPTIONS PART NUMBERS

MODEL NUMBER YCAV	STANDARD 150# FLOW SWITCH	OPTIONAL 300# FLOW SWITCH	CHICAGO RELIEF VALVE KIT (60 Hz ONLY)	WELD FLANGE KIT	VICTAULIC FLANGE KIT	DIFFERENTIAL PRESSURE SWITCH
MODEL #	024-26116	024-12144	375-	023-02366	023-19201	025-30919
0267 / 0969	-000	-000	65084-000	-000	-000	-000
0287 / 1039						
0307 / 1139						
0327 / 1169						
0357 / 1309						
0397 / 1429						
0417 / 1549						
0457 / 1649						
0477 / 1739						
0507 / 1829						
0527 / 1909						
			64344-003			
			64344-002			
			64344-001			

** NOTE: Champagne Paint Spray Bomb - 013-03355-000.

ENCLOSURE KIT OPTIONS

TABLE 26 - ENCLOSURE KIT OPTIONS - FULL KIT PART NUMBERS

FULL ENCLOSURE KIT PART NUMBERS				
MODEL NUMBER YCAV-	WIRE ENCLOSURE		LOUVERED ENCLOSURE	
	STANDARD EFFICIENCY	HIGH EFFICIENCY	STANDARD EFFICIENCY	HIGH EFFICIENCY
0267 / 0969	N/A	475-57105-014	N/A	475-57097-014
0287 / 1039	475-57105-013	475-57105-015	475-57097-013	475-57097-015
0307 / 1139	475-57105-014	N/A	475-57097-014	N/A
0327 / 1169	N/A	475-57105-016	N/A	475-57097-016
0357 / 1309	475-57105-016	475-57105-018	475-57097-016	475-57097-018
0397 / 1429	475-57105-018	475-57105-020	475-57097-018	475-57097-020
0417 / 1549	475-57105-020	475-57105-022	475-57097-020	475-57097-022
0457 / 1649	475-57105-021	N/A	475-57097-021	N/A
0477 / 1739	475-57105-022	475-57105-024	475-57097-022	475-57097-024
0507 / 1829	475-57105-023	N/A	475-57097-023	N/A
0527 / 1909	475-57105-024	N/A	475-57097-024	N/A

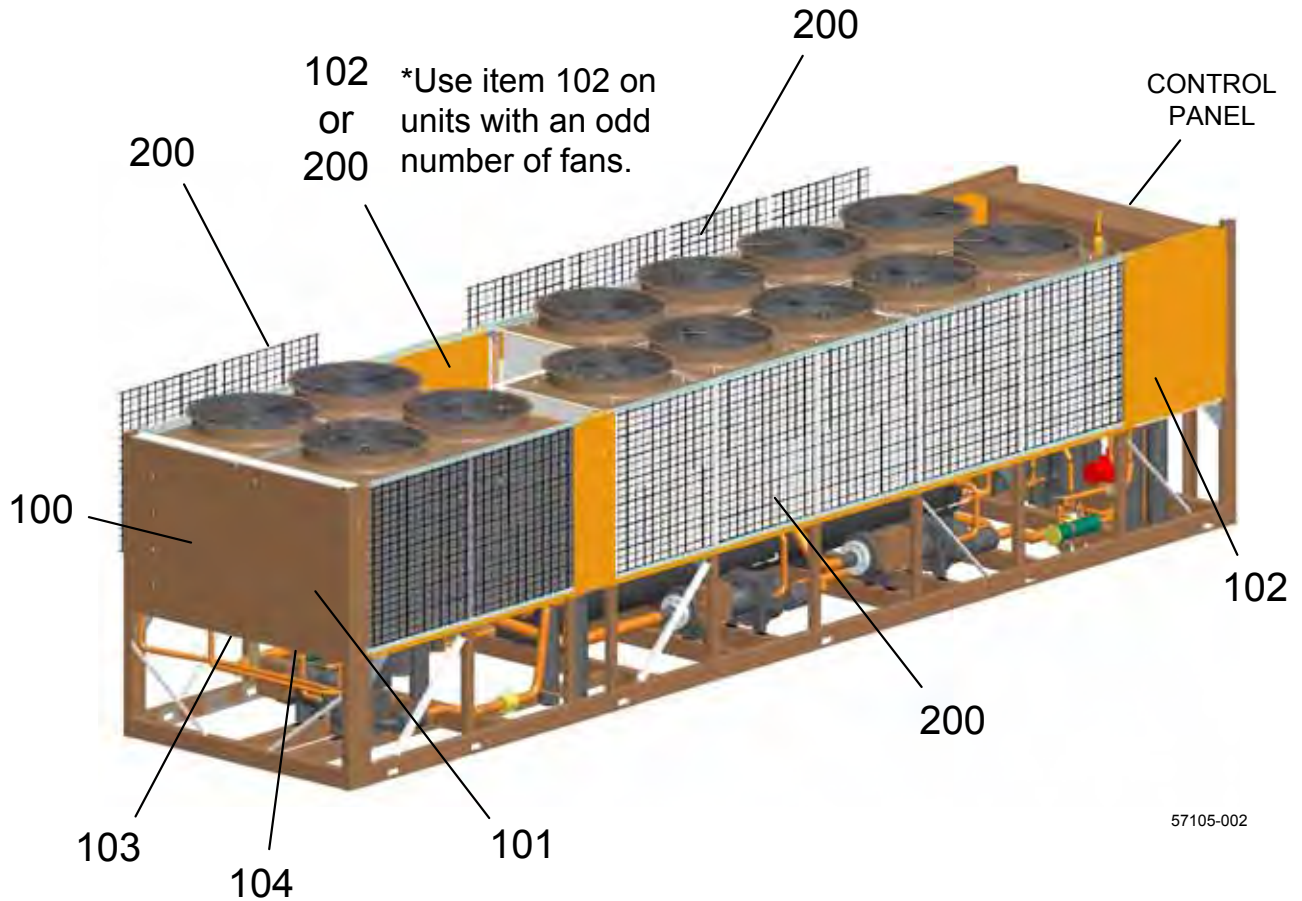
FULL ENCLOSURE KIT PART NUMBERS				
MODEL NUMBER YCAV-	WIRE/LOUVERED ENCLOSURE		LOUVERED ENCLOSURE (COND. ONLY)	
	STANDARD EFFICIENCY	HIGH EFFICIENCY	STANDARD EFFICIENCY	HIGH EFFICIENCY
0267 / 0969	N/A	475-57107-014	N/A	475-57097-140
0287 / 1039	475-57107-013	475-57107-015	475-57097-130	475-57097-150
0307 / 1139	475-57107-014	N/A	475-57097-140	N/A
0327 / 1169	N/A	475-57107-016	N/A	475-57097-160
0357 / 1309	475-57107-016	475-57107-018	475-57097-160	475-57097-180
0397 / 1429	475-57107-018	475-57107-020	475-57097-180	475-57097-200
0417 / 1549	475-57107-020	475-57107-022	475-57097-200	475-57097-220
0457 / 1649	475-57107-021	N/A	475-57097-210	N/A
0477 / 1739	475-57107-022	475-57107-024	475-57107-220	475-57107-240
0507 / 1829	475-57107-023	N/A	475-57107-230	N/A
0527 / 1909	475-57107-024	N/A	475-57107-240	N/A

ENCLOSURE KIT OPTIONS (CONT'D)

TABLE 27 - ENCLOSURE KIT OPTIONS - TOP AND BOTTOM SECTIONS
(SEE FIGS. 36-39, PAGES 83-87)

ENCLOSURE	FULL KIT NUMBER	TOP SECTION PART NUMBER	BOTTOM SECTION PART NUMBER
WIRE	475-57105-013	375-57105-130	375-57105-131
	475-57105-014	375-57105-140	375-57105-141
	475-57105-015	375-57105-150	375-57105-151
	475-57105-016	375-57105-160	375-57105-161
	475-57105-018	375-57105-180	375-57105-181
	475-57105-020	375-57105-200	375-57105-201
	475-57105-021	375-57105-210	375-57105-211
	475-57105-022	375-57105-220	375-57105-221
	475-57105-023	375-57105-230	375-57105-231
	475-57105-024	375-57105-240	375-57105-241
LOUVERED	475-57097-013	375-57097-130	375-57097-131
	475-57097-014	375-57097-140	375-57097-141
	475-57097-015	375-57097-150	375-57097-151
	475-57097-016	375-57097-160	375-57097-161
	475-57097-018	375-57097-180	375-57097-181
	475-57097-020	375-57097-200	375-57097-201
	475-57097-021	375-57097-210	375-57097-211
	475-57097-022	375-57097-220	375-57097-221
	475-57097-023	375-57097-230	375-57097-231
	475-57097-024	375-57097-240	375-57097-241
WIRE/ LOUVERED	475-57107-013	375-57097-130	375-57105-131
	475-57107-014	375-57097-140	375-57105-141
	475-57107-015	375-57097-150	375-57105-151
	475-57107-016	375-57097-160	375-57105-161
	475-57107-018	375-57097-180	375-57105-181
	475-57107-020	375-57097-200	375-57105-201
	475-57107-021	375-57097-210	375-57105-211
	475-57107-022	375-57097-220	375-57105-221
	475-57107-023	375-57097-230	375-57105-231
	475-57107-024	375-57097-240	375-57105-241
LOUVERED ENCLOSURE (COND. ONLY)	475-57097-130	375-57097-130	N/A
	475-57097-140	375-57097-140	
	475-57097-150	375-57097-150	
	475-57097-160	375-57097-160	
	475-57097-180	375-57097-180	
	475-57097-200	375-57097-200	
	475-57097-210	375-57097-210	
	475-57097-220	375-57097-220	
	475-57097-230	375-57097-230	
475-57097-240	375-57097-240		

ENCLOSURE KIT OPTIONS (CONT'D)



57105-002

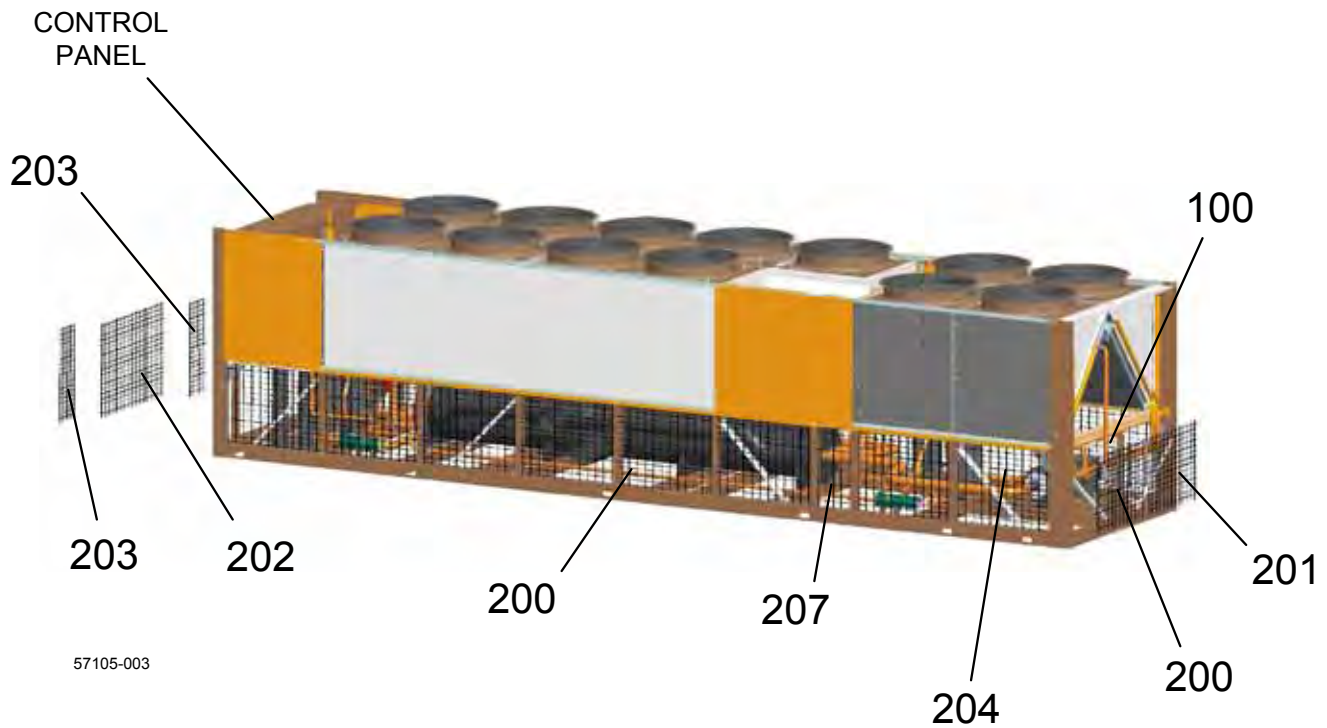
Enclosure Options

WIRE ENCLOSURE TOP SECTIONS KIT COMPONENTS			
ITEM #	DESCRIPTION	PART NUMBER	QTY
100	End Panel - Lh	075-57085-000	1
101	End Panel - Rh	075-57086-000	1
102	Panel	075-56977-000	2*
103	Channel	075-62328-000	1
104	Plate	075-57133-001	1
200	Wire Grill Condenser	026-41776-000	13**

- ** Refer to page 82, Quantity for 375-57105-140 = 14
- ** Refer to page 82, Quantity for 375-57105-150 = 15
- ** Refer to page 82, Quantity for 375-57105-160 = 16
- ** Refer to page 82, Quantity for 375-57105-180 = 18
- ** Refer to page 82, Quantity for 375-57105-200 = 20
- ** Refer to page 82, Quantity for 375-57105-210 = 21
- ** Refer to page 82, Quantity for 375-57105-220 = 22
- ** Refer to page 82, Quantity for 375-57105-230 = 23
- ** Refer to page 82, Quantity for 375-57105-240 = 24

FIGURE 36 - WIRE ENCLOSURE (TOP SECTIONS) - 375-57105-130 SHOWN

ENCLOSURE KIT OPTIONS (CONT'D)



Enclosure Options

57105-003

WIRE ENCLOSURE BOTTOM SECTIONS KIT COMPONENTS			
ITEM #	DESCRIPTION	PART NUMBER	QTY
100	REAR SUPPORT	075-62329-000	1
200	WIRE GRILL	026-41777-000	14**
201	WIRE GRILL - REAR	026-41778-000	2
202	WIRE GRILL	026-41779-000	1
203	WIRE GRILL	026-41780-000	2
204	WIRE GRILL	026-42671-000	2
207	WIRE GRILL	026-42672-000	2

** Refer to page 82, Quantity for 375-57106-130 and -140 = 14

** Refer to page 82, Quantity for 375-57106-150 and -160 = 16

** Refer to page 82, Quantity for 375-57106-180 = 18

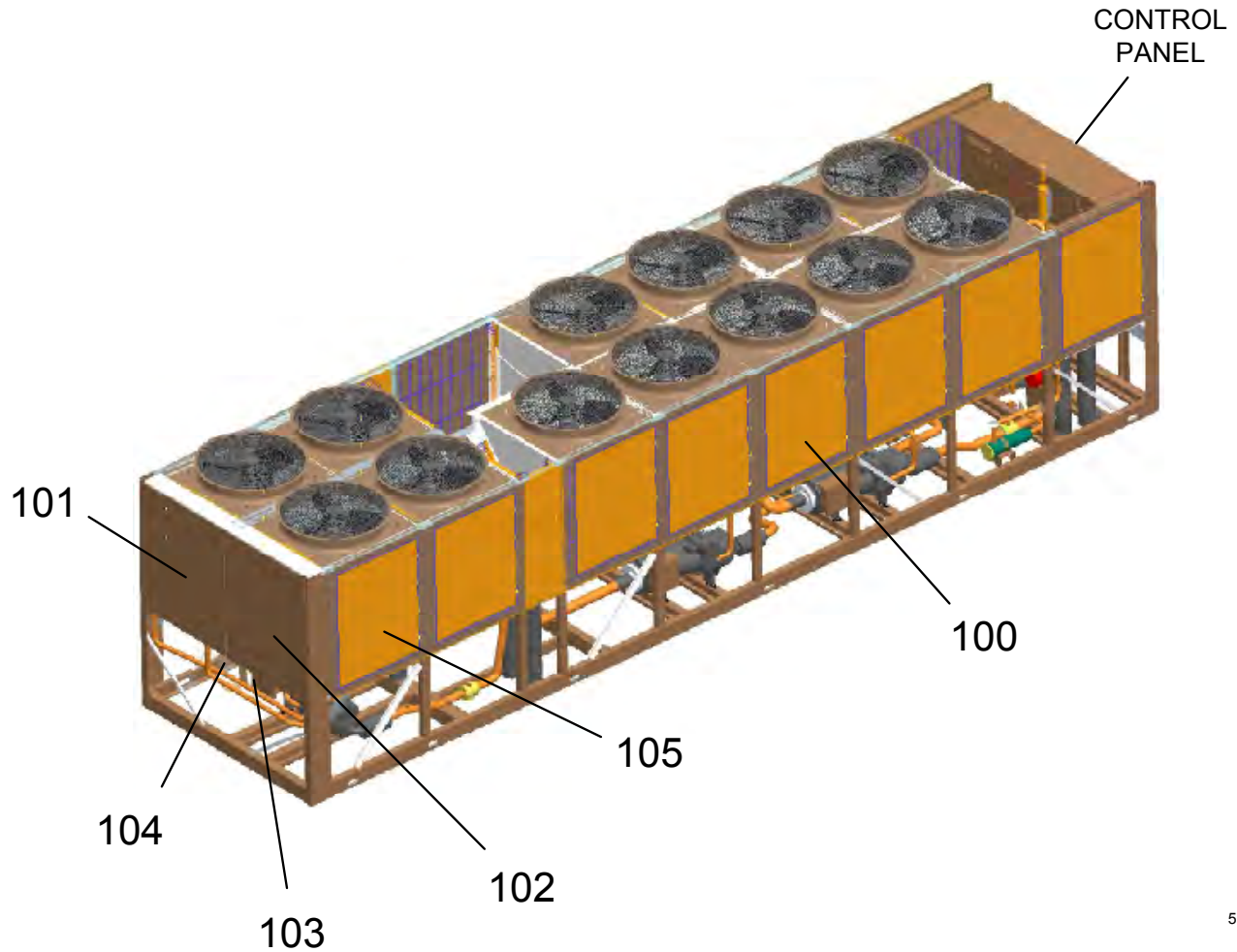
** Refer to page 82, Quantity for 375-57106-200 = 22

** Refer to page 82, Quantity for 375-57106-210 and -220 = 24

** Refer to page 82, Quantity for 375-57106-230 and -240 = 26

FIGURE 37 - WIRE ENCLOSURE (BOTTOM SECTIONS) - 375-57106-130 SHOWN

ENCLOSURE KIT OPTIONS (CONT'D)



57097-002

Enclosure Options

LOUVERED ENCLOSURE TOP SECTIONS KIT COMPONENTS			
ITEM #	DESCRIPTION	PART NUMBER	QTY
100	Louver Panel	075-56976-000	14**
101	Rear Panel - Lh	075-57085-000	1
102	Rear Panel - Rh	075-57086-000	1
103	Channel	075-62328-000	1
104	Rear Support	075-57133-001	1
105	Enclosure Panel	075-61589-000	2

** Refer to page 82, Quantity for 375-57097-130 and -140 = 14

** Refer to page 82, Quantity for 375-57097-150 and -160 = 16

** Refer to page 82, Quantity for 375-57097-180 = 18

** Refer to page 82, Quantity for 375-57097-200 = 20

** Refer to page 82, Quantity for 375-57097-210 and -220 = 22

** Refer to page 82, Quantity for 375-57097-230 and -240 = 24

FIGURE 38 - LOUVERED ENCLOSURE (TOP SECTIONS) - 375-57097-130 SHOWN

ENCLOSURE KIT OPTIONS (CONT'D)

Enclosure Options

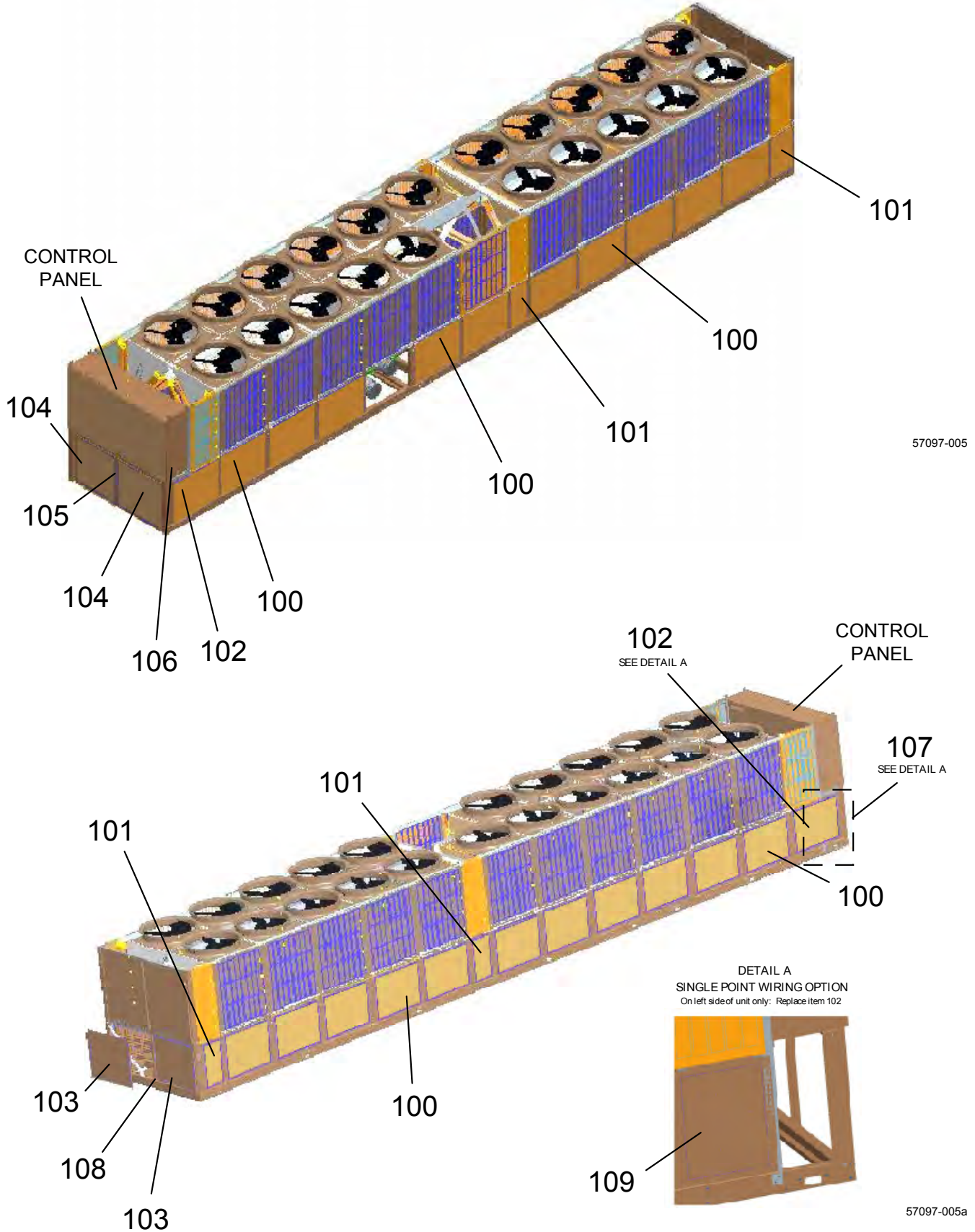


FIGURE 39 - LOUVERED ENCLOSURE (BOTTOM SECTIONS) 375-57097-022 SHOWN (REF. TABLE 30, PAGE 87)

ENCLOSURE KIT OPTIONS (CONT'D)

TABLE 28 - LOUVERED ENCLOSURE (BOTTOM SECTIONS) (SEE FIG. 18, PAGE 86)

LOUVERED ENCLOSURE BOTTOM SECTIONS KIT COMPONENTS			
ITEM #	DESCRIPTION	PART NUMBER	QTY
100	Louver Panel	075-56978-000	13**
101	Louver Panel (3 Compressor Units)	075-61586-000	2
	Louver Panel (4 Compressor Units)		4
102	Louver Panel (3 Compressor Units)	075-61588-000	2
	Louver Panel (4 Compressor Units)	075-61592-000	
103	Louver Panel	075-56981-000	2
104	Louver Panel (3 Compressor Units)	075-57101-000	2
	Louver Panel (4 Compressor Units)	075-61585-000	
105	Louver Panel (3 Compressor Units)	075-57102-000	1
	Louver Panel (4 Compressor Units)	075-61578-000	
106	Cover Panel	075-61590-000	1
107	Cover Panel	075-61591-000	1
108	Rear Support	075-56979-000	1
109	Louver Panel - Front	075-57104-000	1

** Refer to page 82, Quantity for 375-57097-130 and -140 = 13

** Refer to page 82, Quantity for 375-57097-150 and -160 = 15

** Refer to page 82, Quantity for 375-57097-180 = 17

** Refer to page 82, Quantity for 375-57097-200 = 19

** Refer to page 82, Quantity for 375-57097-210 and -220 = 21

** Refer to page 82, Quantity for 375-57097-230 and -240 = 23

RECOMMENDED SPARE PARTS

York Model YCAV Style A Air Cooled Screw Chillers
Suggested Spare Parts List for Critical Duty Applications

TABLE 29 - RECOMMENDED SPARE PARTS - YCAV0267/0969-YCAV0527/1909 CHILLERS

PAGE REF. & ITEM NUMBER	DESCRIPTION	MODEL NUMBER YCAV	PART NUMBER		
PAGE 16, ITEM 1	Fan Motor (Standard)	-17	024-27322-007		
		-28			
		-40			
				-46	
				-50	024-27322-008
				-58	024-27322-007
PAGE 16, ITEM 1	Fan Motor (Low Noise)	-17	024-34980-001		
		-28			
		-40			
		-46			
		-50			
		-58			
PAGE 16, ITEM 2	Fan Blade (Standard)	All	026-41594-000		
	Fan Blade (Low Noise)	All	026-41942-000		
PAGES 21, 22, 27 AND 28, ITEM 1	Valve, Control (Feed or Drain)	See Table 4	025-41564-000		
			025-41565-000		
PAGES 21, 22, 27 AND 28, ITEM 5	Core, Dehydrator	All	026-37540-000		
PAGES 21, 22, 27 AND 28, ITEM 18	Sensor, Refrig Level	All	025-40274-000		
PAGE 31, ITEM 10	Cap, Radiator	All	023-21927-000		
PAGE 31, ITEM 13	Coolant Propylene Glycol (5 gallon)	All	013-03344-000		
PAGE 32, ITEM OIL	Oil, Compressor (Type 'L')	R-134A	011-00592-000		
PAGE 32, ITEM FILTER	Filter, Oil		026-35601-000		
PAGE 32, ITEM O-RING	O-ring, Filter Cover		028-13849-000		
PAGE 45, ITEM 28	Chiller Control Board (3 Compressor Units)	All	031-02478-001		
	Chiller Control Board (4 Compressor Units)		031-02478-002		
PAGE 45, ITEM 28A	EPROM, Chiller Control Board (Standard)	All	031-02476-001		
	EPROM, Chiller Control Board (Optimized)		031-02476-002		
PAGE 46, ITEM 72	Controller, Drain/Feed Valve (90° Flow)	All	031-02510-000		
	Controller, Drain/Feed Valve (Straight Flow)		031-02742-000		
PAGE 77, ITEM 1	Sensor, Outside Air Temperature	All	025-28663-001		
PAGE 77, ITEM 2	Sensor, Water Temp. (EWT, LWT)	All	025-40334-000		
PAGE 77, ITEM 4	Sensor, Discharge Temperature	All	025-32924-000		
PAGE 77, ITEM 5	Sensor, Suction Temperature	All	025-29964-000		
PAGE 77, ITEM 6	Sensor, Oil Temperature	All	025-30440-000		
PAGE 77, ITEM 7 AND 8	Transducer, Discharge & Oil Pressure (0-275psi)	All	025-29139-003		
PAGE 77, ITEM 9	Transducer, Suction Pressure (0-275psi)	All	025-29583-001		

All parts should be purchased from your local YORK Sales and Service Center.

NOTES



P.O. Box 1592, York, Pennsylvania USA 17405-1592
Copyright © by Johnson Controls 2013
Form 201.21-RP3 (413)
Issue Date: April 19, 2013
Supersedes: 201.21-RP3 (108)

800-861-1001
www.johnsoncontrols.com

Subject to change without notice. Printed in USA
ALL RIGHTS RESERVED