



MILLENNIUM[®]
AIR-COOLED SCREW CHILLER
STYLE "F"

RENEWAL PARTS LIST

New Release

Form 201.18-RP1 (900)

MODELS YCAS0130 THROUGH YCAS0230
60 HERTZ



28971AR

TABLE OF CONTENTS

	<u>PAGE</u>
UNIT NOMENCLATURE AND MODEL IDENTIFICATION	4
EVAPORATOR	
EVAPORATOR COMPONENTS	6
CONDENSER	
CONDENSER COIL COMPONENTS	7
FANS	
FAN COMPONENTS	8
PIPING	
REFRIGERANT PIPING COMPONENTS	10
OIL PIPING COMPONENTS	12
RELIEF VALVES AND HP CUTOFF SWITCH	13
COMPRESSOR	
COMPRESSOR MODEL NOMENCLATURE	16
COMPRESSOR PART NUMBERS	17
COMPRESSOR COMPONENTS	18
COMPRESSOR COMPONENTS / RELATED PARTS	19
COMPRESSOR AND CONTROL COMPONENTS	23
MICRO PANEL / TRANSDUCERS / TEMP SENSORS	
MICRO PANEL COMPONENTS	26
SENSOR HARNESS	29
TRANSDUCERS AND TEMP SENSORS	32
TRANSDUCERS AND TEMPERATURE SENSOR CABLE ENDS	34
POWER PANEL	
POWER PANEL IDENTIFIERS - ACROSS THE LINE	37
POWER PANEL COMPONENTS - ACROSS THE LINE	38
POWER PANEL IDENTIFIERS - WYE DELTA	47
POWER PANEL COMPONENTS - WYE DELTA	48
LUG KITS	55
4 FAN CONTACTOR PANEL COMPONENTS	56
OPTION PANEL	
OPTION AND POWER PANEL CONFIGURATIONS	58
OPTION PANEL IDENTIFIERS	59
OPTION PANEL COMPONENTS	60

TABLE OF CONTENTS (CONT'D)

	<u>PAGE</u>
CHILLER OPTIONS	
YCAS CHILLER OPTIONS - KITS AND SPARE PARTS	64
ENCLOSURE KIT OPTIONS - FULL UNIT	65
WIRE ENCLOSURE TOP SECTION PARTS BREAKDOWN	66
WIRE ENCLOSURE BOTTOM SECTION PARTS BREAKDOWN	67
LOUVERED ENCLOSURE TOP SECTION PARTS BREAKDOWN	68
LOUVERED ENCLOSURE BOTTOM SECTION PARTS BREAKDOWN	69
REMOTE CURRENT/TEMPERATURE RESET	70
CURRENT/TEMPERATURE RESET PARTS BREAKDOWN	72
REMOTE CONTROL CENTER	73
RECOMMENDED SPARE PARTS	74

WARNING

HIGH VOLTAGE

Is used in the operation of this equipment.

DEATH OR SERIOUS INJURY

may result if personnel fail to observe safety precautions.

Work on electronic equipment should not be undertaken unless the individual(s) have been trained in the proper maintenance of equipment and is (are) familiar with its potential hazards.

Shut off power supply to the equipment before beginning work and follow lockout procedures. When working inside equipment with power off, take care to discharge every capacitor likely to hold dangerous potential.

Be careful not to contact high voltage connections when installing or operating this equipment.

LOW VOLTAGE

DO NOT be misled by the term "low voltage." Voltages as low as 50 volts may cause death.

UNIT NOMENCLATURE AND MODEL IDENTIFICATION

BASIC PART NUMBER

YCAS0170EC40YFA

1	2	3	4	5	6	7	8	9	10	11	12	13	14	15
BASE PRODUCT TYPE				NOMINAL CAPACITY				UNIT DESIGNATOR	REFRIGERANT	VOLTAGE/STARTER			DESIGN/DEVELOPMENT LEVEL	
Y	C	A	S	#	#	#	#	E	C	1	7		F	A
: YORK : Chiller : Air Cooled S : Screw				Tons 0130 0140 0150 0160 0170 0180 0200 0210 0230				High Efficiency	:R-22	:200 / 3/ 60 :230 / 3 /60 :380 / 3/ 60 :460 / 3/ 60 :575 / 3/ 60 Y :Wye (Star) Delta X :Across the Line			:Design Series F :Engineering Change or PIN Level	

PART NUMBER – LETTER CODES

16 17 18 19	20 21 22 23 24 25 26 27 28	29 30 31 32 33 34 35 3637
POWER FIELD	CONTROLS FIELD	COMPRESSOR / PIPING FIELD
M D : MP NF Disconnect Switches M B : MP Supply w/ Ind. Sys. Brkr & L. Ext. Handles S B : SP Supply TB w/ Ind. Sys. Brkr. & L. Ext. Handles D B : SP NF Discnct. w/ Ind. Sys. Brkr & L. Ext. Handles S X : SP Supply TB S D : SP NF Disconnect Switch B X : SP Circuit Breaker w/ Lockable Handle C : Control Circuit Power Terminal Strip X: No Option	X Y C B M S F G L C X P R S : No Option : BAS/EMS Temp Reset / Offset : BAS/EMS Current Reset / Offset : BAS/EMS Both Temp. & Current : Millennium Controls : Spanish LCD & Keypad Display : French LCD & Keypad Display : German LCD & Keypad Display : No Option : N Amer. Safety Code (cU.L./cE.T.L.) : European Safety Code (CE) : No Option : Pump Control : Remote Control Panel S : Seq. Cntrl & Automatic Lead Trans.	# # T S C D L B X X X X X B C D E F G H
MP = Multiple Point SP = Single Point NF = Non-Fused TB = Terminal Block Ser. = Service Ind. Sys. Brkr. & L. Ext. Handles = Individual System Breaker & Lockable External Handle		

38 39 40 41 42 43 44	45 46 47	48 49 50 51 52 53 54
EVAP. FIELD	CONDENSER FIELD	CABINET FIELD
3 D W V S M A S F T I P R X : 300 PSIG DWP Waterside : Double Thick Insulation : Weld Flange Kit : Victaulic Flange Kit : Flow Switch : Multinat'l Vessel & Assoc. Safety Codes : ASME Pressure Vessel & Associated Codes (American) : AS 1210 Vessel & Associated Codes (Australian) : French Vessel & Associated Codes (DRIRE) : German TUV Vessel & Assoc. Codes (A.D. Merkblatter) : Italian Vessel & Associated Codes (ISPESL) : Polish Vessel & Associated Codes : Remote DX Cooler X : No Option	X C B P X : Aluminum : Copper : BlackFin : Phenolic X :TEAO Fan Motors	1 2 3 4 5 6 7 8 E X B L H : Wire (Full Unit) Enc. Panels (factory) : Wire (Full Unit) Enc. Panels (field) : Wire/Louvered Enc. Panels (factory) : Wire/Louvered Enc. Panels (field) : Louvered (Cond. Only) Enc. Panels (factory) : Louvered (Cond. Only) Enc. Panels (field) : Louvered (Full Unit) Enc. Panels (factory) : Louvered (Full Unit) Enc. Panels (field) : Compressor Sound Enclosure : No Option : Acoustic Sound Blanket : Low Sound Fans : High Static Fans S : Final Overspray Paint 1 : 1" Deflection S : Seismic N : Neoprene Pads
NOTES: 1. Q :DENOTES SPECIAL / S.Q. 2. # :DENOTES STANDARD 3. X :w/in OPTIONS FIELD, DENOTES NO OPTION SELECTED		

This page intentionally left blank.

EVAPORATOR COMPONENTS

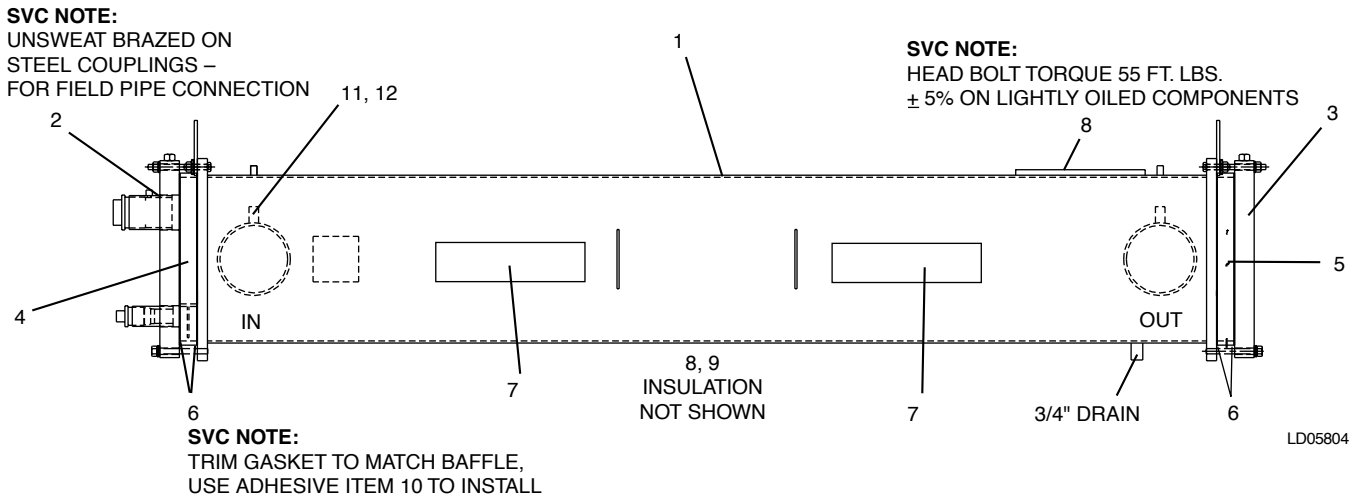


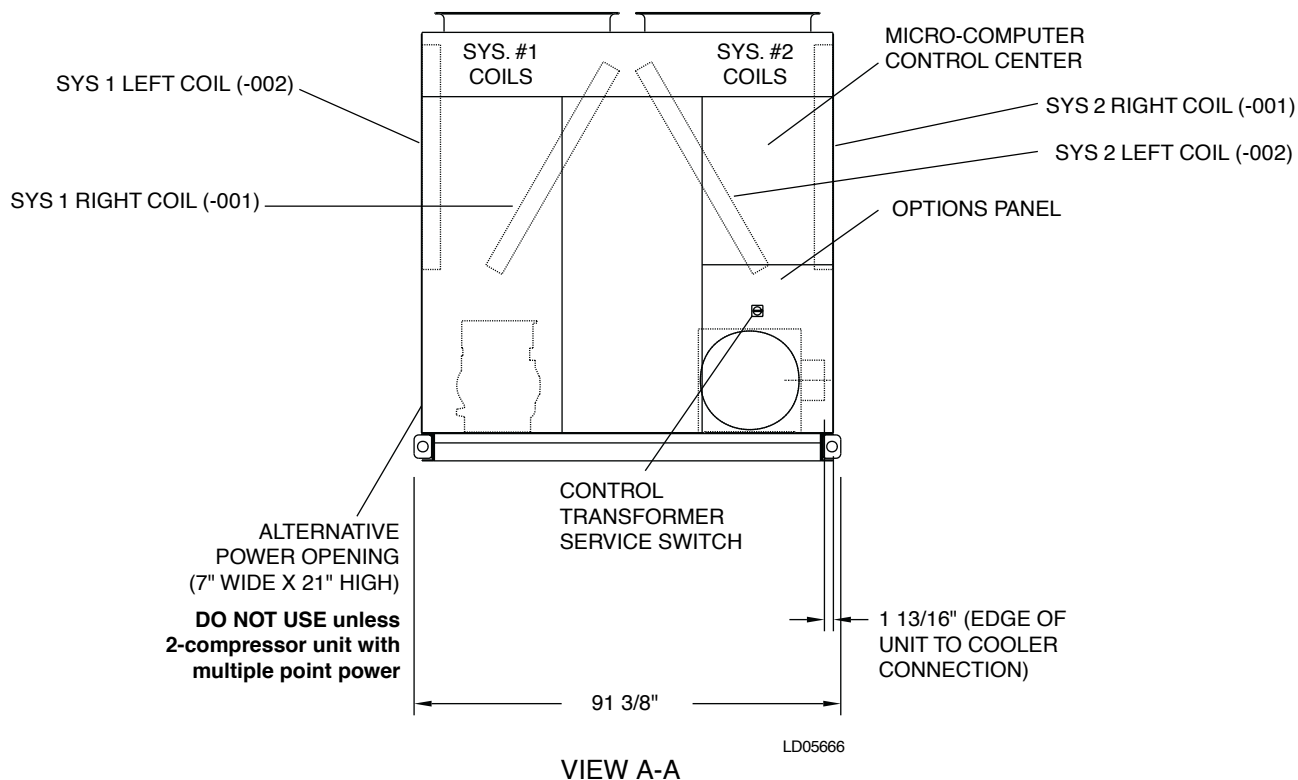
FIG. 1 – EVAPORATOR COMPONENTS

- 150# COOLER FLOW SWITCH 024-26116-000 (PIN 38 in Model No. is X; see page 4.)
- 300# COOLER FLOW SWITCH 024-12144-000 (PIN 38 in Model No. is 3; see page 4.)

TABLE 1 – EVAPORATOR COMPONENTS

ITEM NUMBER	QTY. PER UNIT	DESCRIPTION	DWP	UNIT MODEL	UNIT MODEL
				YCAS0130 THRU YCAS0140	YCAS0150 THRU YCAS0230
1	1	Cooler, less Heater & Insulation (Items 2 thru 6)	150	375-30200-000	375-30201-000
			300	375-30085-000	375-30082-000
2	1	Head, Connection End	ALL	375-30231-000	375-30219-000
3	1	Head, Back End	ALL	075-30234-000	375-30221-000
4	1	Baffle, Pass, Conn. End	ALL	375-30235-000	375-30215-000
5	1	Baffle, Pass, Back End	ALL	075-30238-000	075-20218-000
6	4	Gasket, Pass Baffle and Head	ALL	075-30239-000	075-30223-000
7	2	Heater, Cooler 280 Watt	ALL	025-22691-000	025-22691-000
8	3.5	Insulation (3/4" x 49" x 65")	ALL	010-04198-000	010-04198-000
9	2.5	Insulation (1-1/2" x 49" x 65")	ALL	010-04467-000	010-04467-000
10	1	3M ScotchGrip 1357 (Item 6 Adhesive)	ALL	Granger Stock No. 5E127 (5 oz. tube)	
11	2	Pipe Coupling 1/2"	ALL	023-01564-000	023-01564-000
12	2	Well, Thermo CU 1/2" x 9-1/2"	ALL	026-33627-000	026-33627-000

CONDENSOR COIL COMPONENTS



END VIEW OF CHILLER FROM POWER PANEL END

FIG. 2 – CONDENSER COIL LAYOUT

TABLE 2 – CONDENSER COILS – YCAS STYLE F CHILLERS

Coils for each circuit are denoted left and right as viewed from power panel end of chiller.

ITEM NUMBER	DESCRIPTION	MODELS	QTY.	MODELS
		YCAS0130 - 0180 16' COIL		YCAS0200 - 0230 20' COIL
YORK PART NO.				
ALUMINUM FIN COIL				
1	Cond. Coil Assembly, Right	375-29501-001	2	375-25578-001
2	Cond. Coil Assembly, Left	375-29501-002	2	375-25578-002
BLACK FIN COIL				
1	Cond. Coil Assembly, Right	375-23770-001	2	375-23771-001
2	Cond. Coil Assembly, Left	375-23770-002	2	375-23771-002
PHENOLIC COATED ALUMINUM FIN				
1	Cond. Coil Assembly, Right	375-29010-001	2	375-29009-001
2	Cond. Coil Assembly, Left	375-29010-002	2	375-29009-002
COPPER FIN				
1	Cond. Coil Assembly, Right	375-23776-001	2	375-23777-001
2	Cond. Coil Assembly, Left	375-23776-002	2	375-23777-002

NOTES: Coil Assemblies are complete with headers.
 Tube-In-Tube Repairs – contact Factory Service.

Condenser

FAN COMPONENTS

Fans

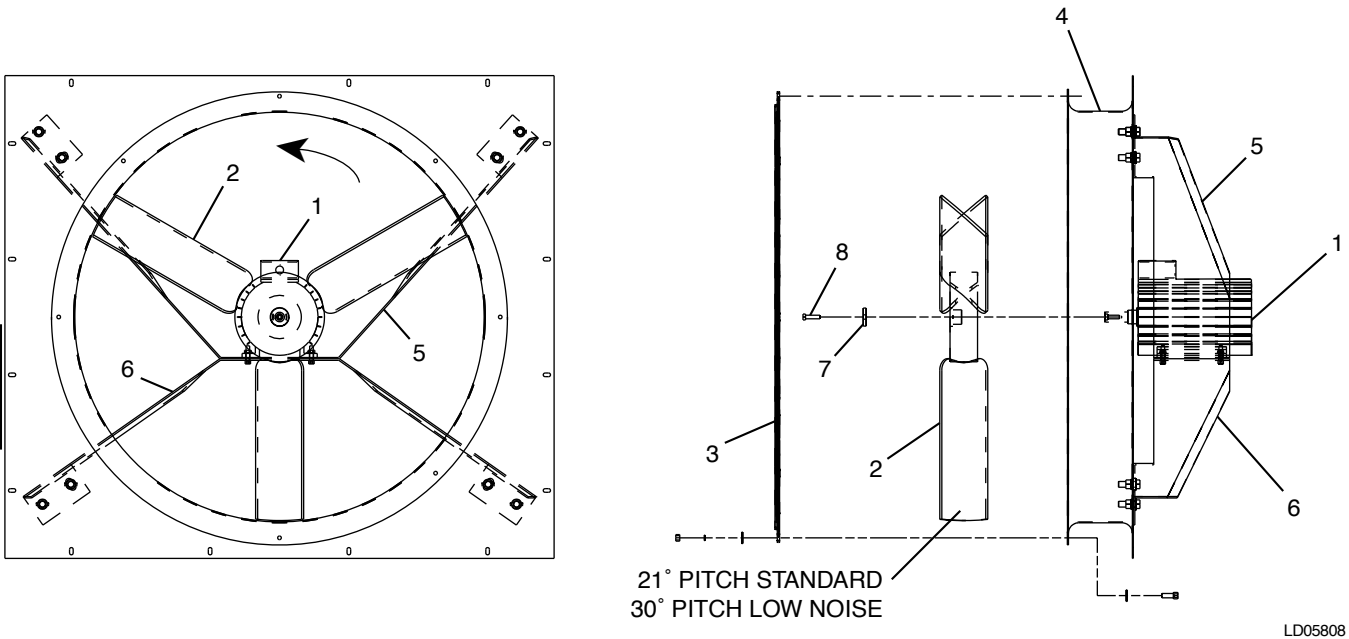


FIG. 3 – FAN COMPONENTS

Service Note: PIN Location 52 in Model Number will be “X” for Standard Fan or “L” for Low Noise Fan. See page 3.

TABLE 3 – FAN COMPONENTS

ITEM NUMBER	DESCRIPTION	VOLTAGE CODE	FANTYPE	
			STANDARD 7/8" Ø SHAFT, 1160 RPM	LOW NOISE (OPTIONAL) 7/8" Ø SHAFT, 850 RPM
1 ^s	Motor 2 HP (Wt. = 50 LBS.)	-17	024-30900-002	024-30933-002
		-28	024-30900-002	024-30933-002
		-40	024-30900-004	024-30933-004
		-46	024-30900-001	024-30933-001
		-58	024-30900-003	024-30933-003
2 ^s	Blade	All	026-35604-000 21°	026-36532-000 30°
3	Guard	All	026-35605-000	
4	Orifice	All	026-35141-000	
5	Support, Motor, Upper	All	075-25584-000	
6	Support, Motor, Lower	All	075-25583-000	
7	Spacer, Fan Motor	All	075-29007-000	
8	Screw, Cap	All	021-18494-000	

^s Recommended Spare Parts

Service Note: Fan Hub to Shaft Joint should be sealed with protective coating (factory uses RUST VETO 344, a solvent-type, rust-preventative coating).

This page intentionally left blank.

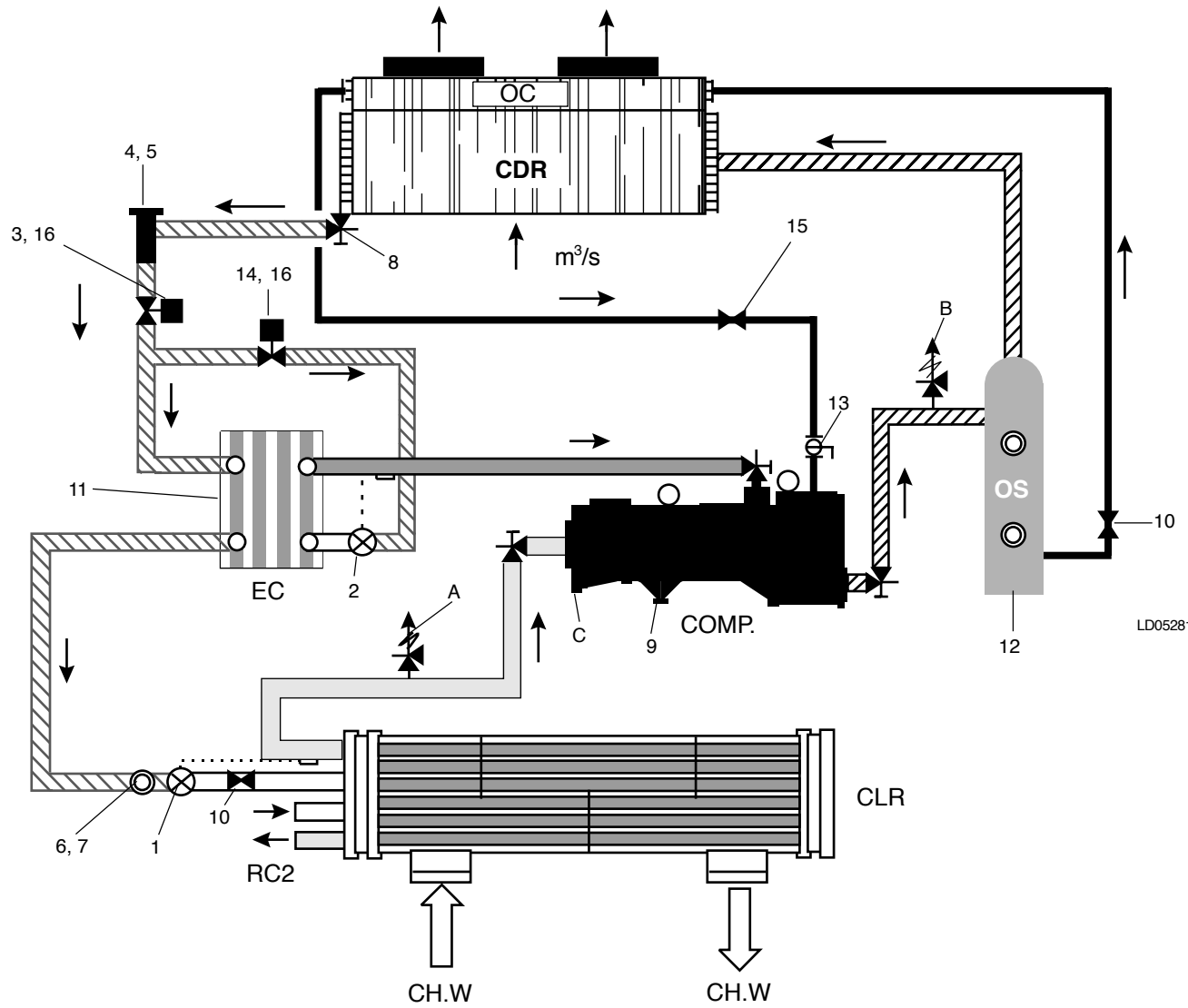
**TABLE 4 – REFRIGERANT PIPING COMPONENTS (SEE FIG. 4, PAGE 11)
AND OIL PIPING COMPONENTS (SEE FIG. 5, PAGE 12)**

ITEM NO.	QTY PER UNIT	DESCRIPTION	SYSTEM	YCAS0130	YCAS0140	YCAS0150	YCAS0160	YCAS0170	YCAS0180	YCAS0200	YCAS0210	YCAS0230
1 ^s	2	Valve, Thermal Exp.- Cooler	Both	025-35757	025-35757	025-33709	025-33709	025-33709	025-33709	025-32906	025-32906	025-32906
2	1	Valve, Thermal Exp.- Econom.	N/A	N/A	025-33280	025-33280	N/A	025-33280	025-33280	N/A	025-33280	025-33280
3	2	Valve, Solenoid, Liq. Line	Both	025-33704	025-33704	025-33704	025-33704	025-33704	025-33704	025-33281	025-33281	025-33281
4	2	Dehydrator, Body (Replaceable Core)	Both	026-21055	026-21055	026-21055	026-21055	026-21055	026-21055	026-16960	026-16960	026-16960
5 ^s	2	Core, Dehydrator	Both	026-18328	026-18328	026-18328	026-18328	026-18328	026-18328	026-18328	026-18328	026-18328
6	2	Moisture Indicator, Body	Both	026-32398	026-32398	026-32398	026-32398	026-32398	026-32398	026-32398	026-32398	026-32398
7	2	Moisture Indicator, Sight Glass Cap Assembly	Both	026-32800	026-32800	026-32800	026-32800	026-32800	026-32800	026-32800	026-32800	026-32800
8	2	Valve, Liquid Stop	Both	022-09778	022-09778	022-09778	022-09778	022-09778	022-09778	022-09779	022-09779	022-09779
9	2	Compressor	Both	See page 17.								
10	4	Valve, Charging 3/8"	Both	All Models – 022-09754-000								
11	1	Economizer, Heat X					N/A	026-36110	026-36110	N/A	026-36110	026-36110
12	2 per circuit*	Oil Separator	Right Side Left Side	All Models - Right Side: 075-23738-002 All Models - Left Side: 075-23738-001								
13	2	Valve, Ball, Oil Line	Both	022-09172	022-09172	022-09172	022-09172	022-09172	022-09172	022-09172	022-09172	022-09172
14	2	Valve, Solenoid, Econo	Both	N/A	025-33282		N/A	025-33282	025-33282	N/A	025-33282	025-33282
15	2	Sensor, Oil Temp.	All	All Models: 025-30440-000								
16 ^s	1	Coil, Solenoid Fits Items 3 & 14	Both	Select Vendor To Suit: Sporlan – 025-35151-000; Alco – 025-35152-000; Danfoss - 025-35169-000								

* Each refrigerant circuit has a right and left separator as viewed from the control panel end of the chiller. Be sure to order the correct number when replacing separators.

^s Recommended Spare Part

REFRIGERANT PIPING COMPONENTS (CONT'D) CHILLER MODEL YCAS – STYLE F



Piping

LD05281

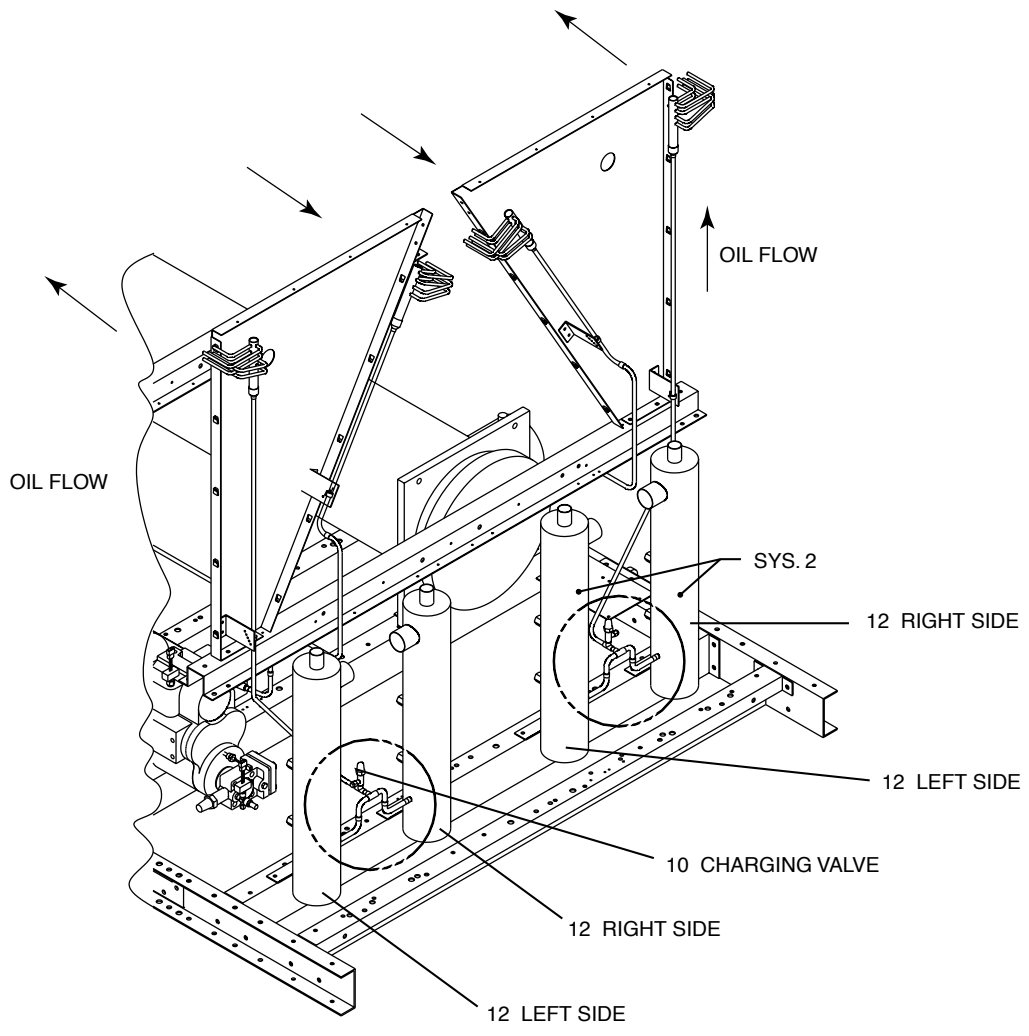
- A – LOW SIDE RELIEF
 - * B – HIGH SIDE RELIEF
 - C – HP CUTOUT SW
- } SEE TABLE 5, PAGE 14 FOR SAFETY COMPONENTS USED.

* Available on CE (European Manufactured) Units, or Units With Optional Chicago Relief Valves

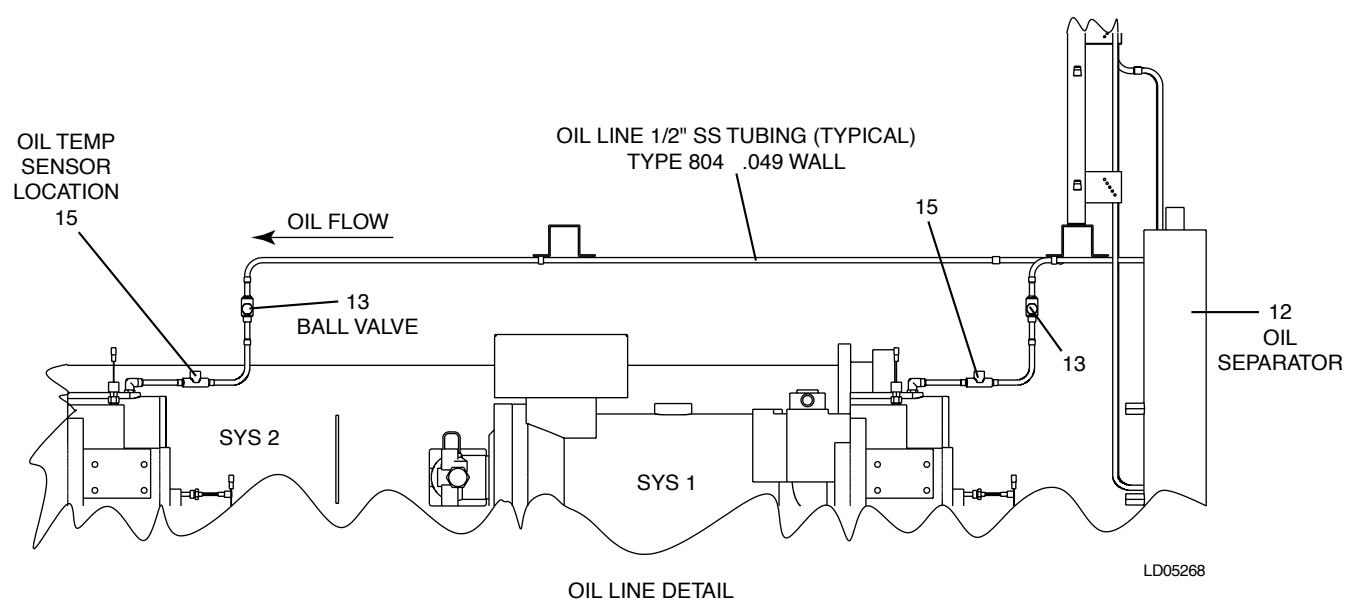
FIG. 4 – REFRIGERANT PIPING LAYOUT (REF. TABLE 4, PAGE 10)

OIL PIPING COMPONENTS CHILLER MODEL YCAS – STYLE F

Piping



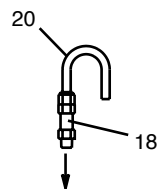
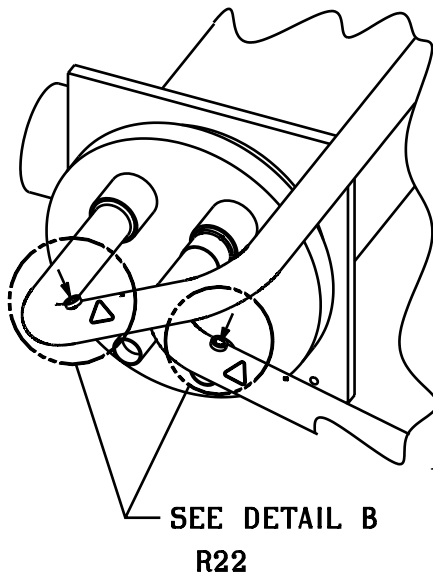
LD05267



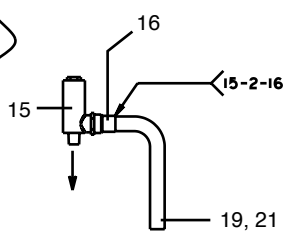
LD05268

FIG. 5 – OIL PIPING COMPONENTS (REF. TABLE 4, PAGE 10)

RELIEF VALVES AND HP CUTOUT SWITCH

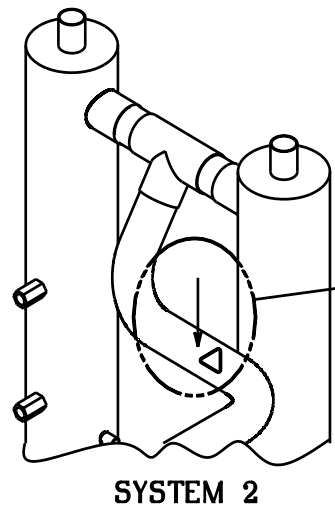


DETAIL B
FOR LINE NO'S.
001, 401 & 601
SYSTEM #1 & #2



DETAIL B
FOR LINE NO. 901
SYSTEM #1 & #2

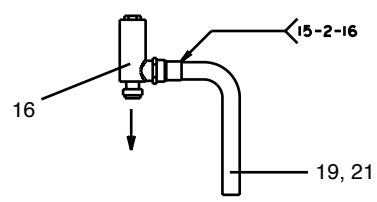
LD05269



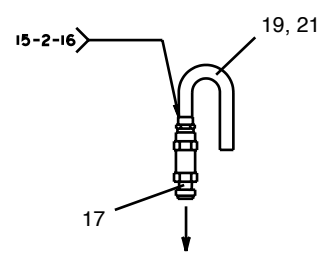
DRILL Ø1.032 HOLE INTO TOP OF DISCHARGE PIPE AT THIS APPROXIMATE LOCATION. THEN BRAZE BUTTON (ITEM 2) INTO PIPE PER MOS 15-2-13 WITH ITEM 20. MAKE CERTAIN THAT THERE IS NO PRESSURE IN THE DISCHARGE LINE BEFORE DRILLING HOLE. ALSO MAKE CERTAIN THAT NO DRILLING CHIPS OR FOREIGN MATTER FALL INSIDE PIPE OR REMAIN INSIDE PIPE PRIOR TO BRAZING BUTTON.

SEE DETAIL C

LD05270



DETAIL C
FOR LINE NO. 901
SYSTEM #1 & #2



DETAIL C
FOR LINE NO. 401
SYSTEM #1 & #2

LD05271

FIG. 6 – RELIEF VALVES AND HP CUTOUT SWITCH (REF. TABLE 5, PAGE 14)

Piping

RELIEF VALVES AND HP CUTOUT SWITCH (CONT'D)

Piping

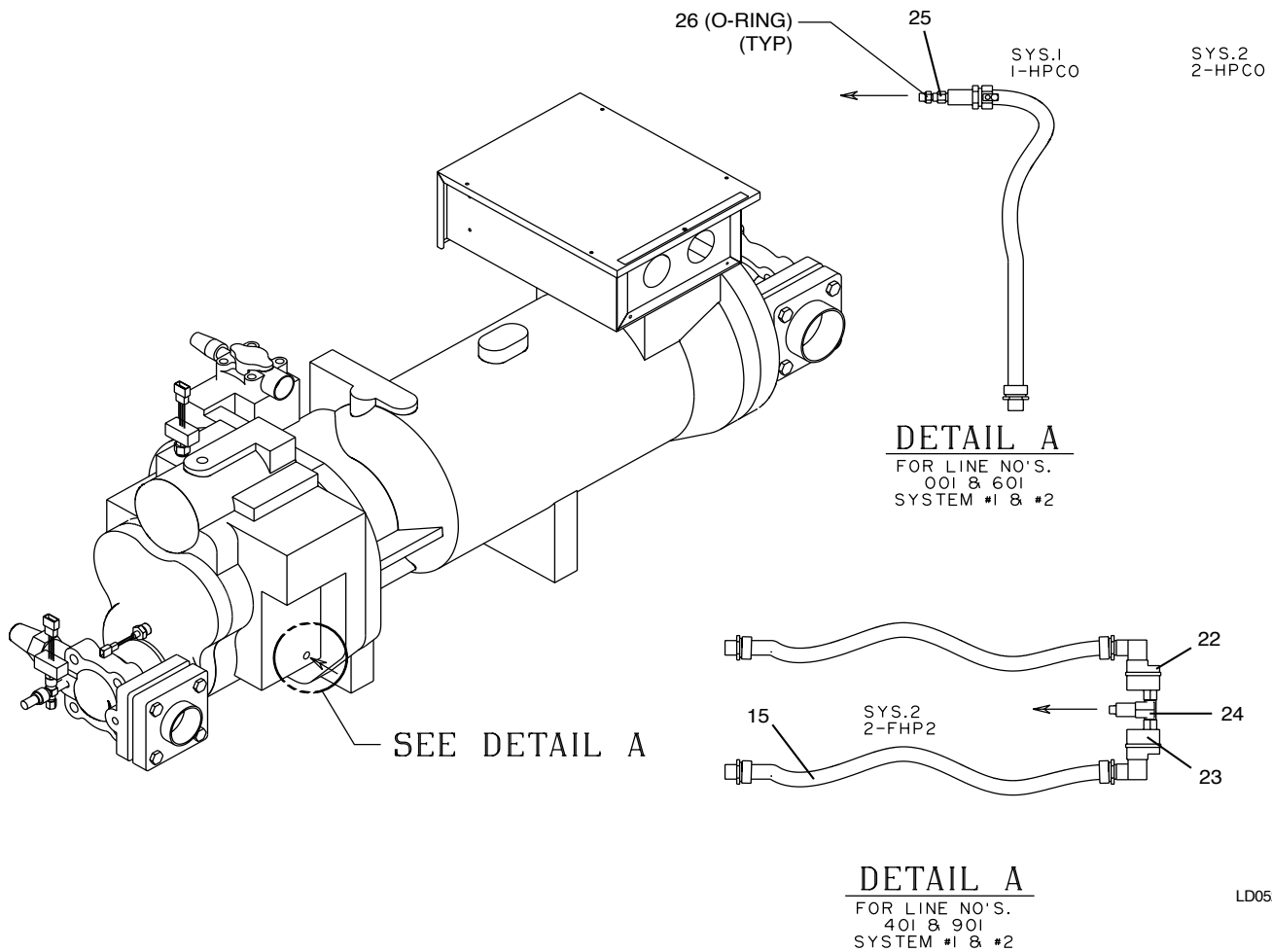


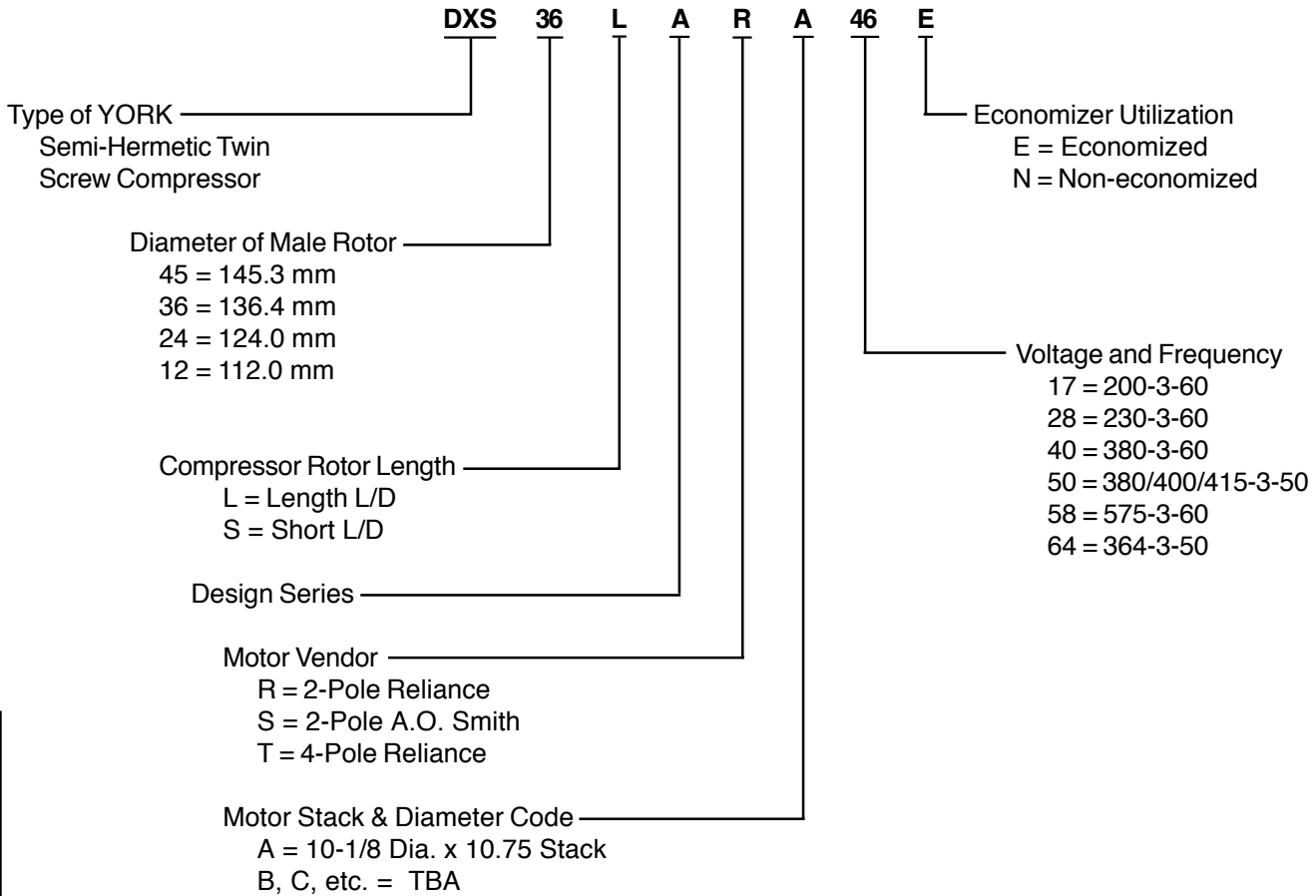
FIG. 6 (CONT'D) – RELIEF VALVES AND HP CUTOUT SWITCH (REF. TABLE 5, PAGE 14)

TABLE 5 – RELIEF VALVES AND HP CUTOUT SWITCH (SEE FIG. 6, PAGES 13 AND 14)

ITEM	QUANTITY PER CHILLER	DESCRIPTION	SYSTEM	ALL MODELS
15	2	Low Side Relief, Angle V 21 Bar	Both	022-09793-000
16	2	High Side Relief, Angle V 31 Bar	Both	022-09794-000
17	2	High Side Relief, Str Thru 405 PSIG	Both	022-08863-000
18	2	Low Side Relief, Str Thru 300 PSIG	Both	022-03056-000
19	2	Tube for 15, 16, 17	Both	075-30993-000
20	2	Tube for 18	Both	375-30919-000
21	2	Adapter for 15,16, 17	Both	023-00124-000
22	2	HP Sw, Man Reset 27.9 Bar	Both	025-34119-000
23	2	HP Sw, Man Reset 27.2 Bar	Both	025-34120-000
24	2	Tee for 22/23	Both	023-00972-000
25	2	HP Sw, NC, Auto Reset, 405 PSIG	Both	025-30480-000
26	2	O-Ring, 3-904	Both	028-13540-000

This page intentionally left blank.

COMPRESSOR MODEL NOMENCLATURE



Compressor

COMPRESSOR WEIGHTS		
MM SIZE	WEIGHT (LBS)*	Kg
145	1310	594
136	1250	567
124	1175	533
112	760	345

* LESS VALVES

- Compressor Isolator Pad Kit
(Reduces sound and vibration)
475-37815-000 one per each compressor
(Became standard mid 1999)

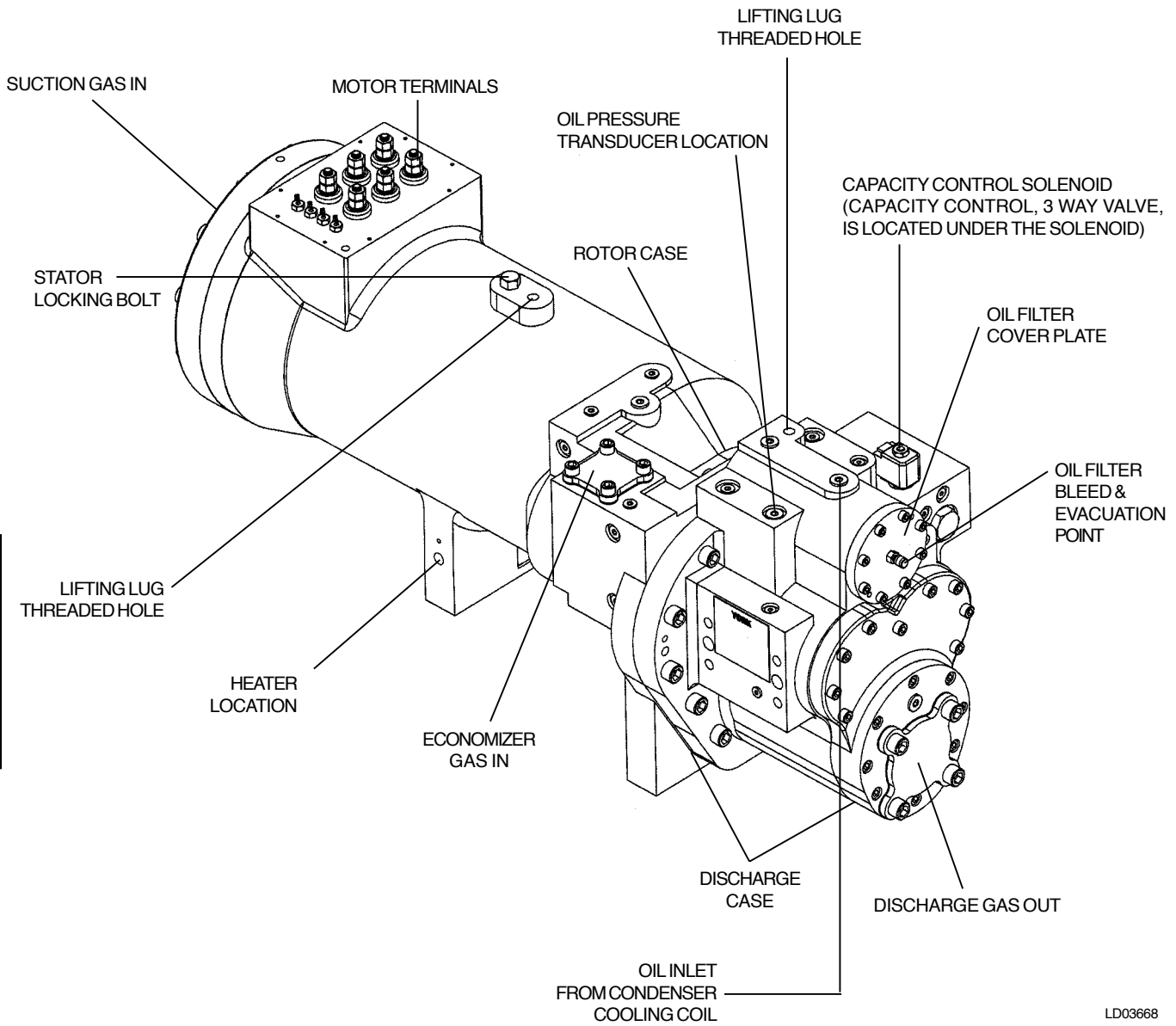
COMPRESSOR PART NUMBERS

UNIT	VOLTAGE CODE	MM SIZE		COMPRESSOR	
		SYS 1	SYS 2	SYSTEM # 1	SYSTEM # 2
YCAS0130	-17	124	124	364-49093-012	364-49093-01
	-28	124	124	364-49093-013	364-49093-013
	-40	124	124	364-49093-014	364-49093-014
	-46	124	124	364-49093-015	364-49093-015
	-58	124	124	364-49093-016	364-49093-016
YCAS0140	-17	124	124	364-49093-112	364-49093-112
	-28	124	124	364-49093-113	364-49093-113
	-40	124	124	364-49093-114	364-49093-114
	-46	124	124	364-49093-115	364-49093-115
	-58	124	124	364-49093-116	364-49093-116
YCAS0150	-17	136	124	364-49093-012	364-49093-112
	-28	136	124	364-49093-013	364-49093-113
	-40	136	124	364-49093-014	364-49093-114
	-46	136	124	364-49093-015	364-49093-115
	-58	136	124	364-49093-016	364-49093-116
YCAS0160	-17	136	136	364-49093-012	364-49093-012
	-28	136	136	364-49093-013	364-49093-013
	-40	136	136	364-49093-014	364-49093-014
	-46	136	136	364-49093-015	364-49093-015
	-58	136	136	364-49093-016	364-49093-016
YCAS0170	-17	136	136	364-49093-012	364-49093-112
	-28	136	136	364-49093-013	364-49093-113
	-40	136	136	364-49093-014	364-49093-114
	-46	136	136	364-49093-015	364-49093-115
	-58	136	136	364-49093-016	364-49093-116
YCAS0180	-17	136	136	364-49093-112	364-49093-112
	-28	136	136	364-49093-113	364-49093-113
	-40	136	136	364-49093-114	364-49093-114
	-46	136	136	364-49093-115	364-49093-115
	-58	136	136	364-49093-116	364-49093-116
YCAS0200	-17	145	145	364-49094-012	364-49094-012
	-28	145	145	364-49094-013	364-49094-013
	-40	145	145	364-49094-014	364-49094-014
	-46	145	145	364-49094-015	364-49094-015
	-58	145	145	364-49094-016	364-49094-016
YCAS0210	-17	145	145	364-49094-012	364-49094-112
	-28	145	145	364-49094-013	364-49094-113
	-40	145	145	364-49094-014	364-49094-114
	-46	145	145	364-49094-015	364-49094-115
	-58	145	145	364-49094-016	364-49094-116
YCAS0230	-17	145	145	364-49094-112	364-49094-112
	-28	145	145	364-49094-113	364-49094-113
	-40	145	145	364-49094-114	364-49094-114
	-46	145	145	364-49094-115	364-49094-115
	-58	145	145	364-49094-116	364-49094-116

Compressor

Compressor Change Out Kit – ALL Models – 464-49737-000 (Includes gaskets and o-rings)

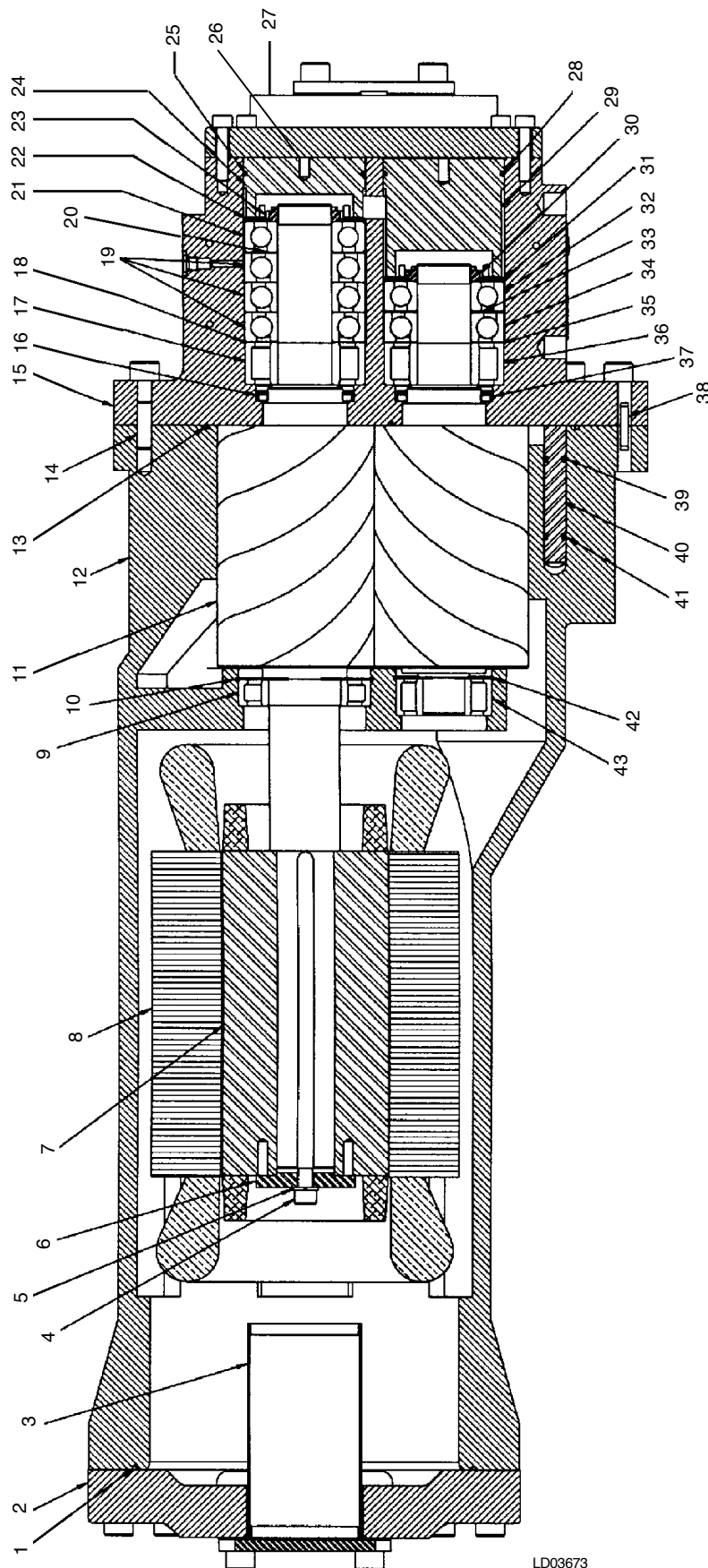
COMPRESSOR COMPONENTS



LD03668

FIG. 7 – DXS COMPRESSOR OUTLINE

COMPRESSOR COMPONENTS / RELATED PARTS



LD03673

TABLE 6 – DXS COMPRESSOR COMPONENTS / RELATED PARTS (SEE FIG. 8, PAGE 19)

NO.	PART NAME
1	O-RING
2	SUCTION COVER
3	SUCTION STRAINER
4	ROTOR SCREW
5	ROTOR LOCK WASHER
6	ROTOR CLAMP WASHER
7	ROTOR
8	STATOR
9	MALE INLET BEARING
10	MALE ROTOR RETAINING RING
11	MALE ROTOR
12	ROTOR CASE
13	O-RING
14	DOWEL PIN
15	DISCHARGE CASE
16	LIP SEAL
17	DISCHARGE RADIAL BEARING
18	SPACER SHIM
19	THRUST BEARINGS
20	THRUST SPACE SHIM
21	REVERSE THRUST BEARING
22	BEARING CLAMP NUT
23	BEARING SPACER SLEEVE
24	BEARING PRELOAD SPRING
25	O-RING
26	BEARING BORE PLUG
27	DISCHARGE COVER
28	BEARING BORE PLUG
29	BEARING PRELOAD SPRING
30	BEARING SPACER SLEEVE
31	BEARING CLAMP NUT
32	REVERSE THRUST BEARING
33	THRUST SPACER SHIM
34	THRUST BEARINGS
35	SPACER SHIM
36	DISCHARGE RADIAL BEARING
37	LIP SEAL
38	DOWEL PIN
39	SUPPORT RING
40	ECONOMIZER PLUG
41	SUPPORT RING
42	FEMALE ROTOR RETAINING RING
43	FEMALE INLET BEARING

FIG. 8 – COMPRESSOR CROSS SECTION

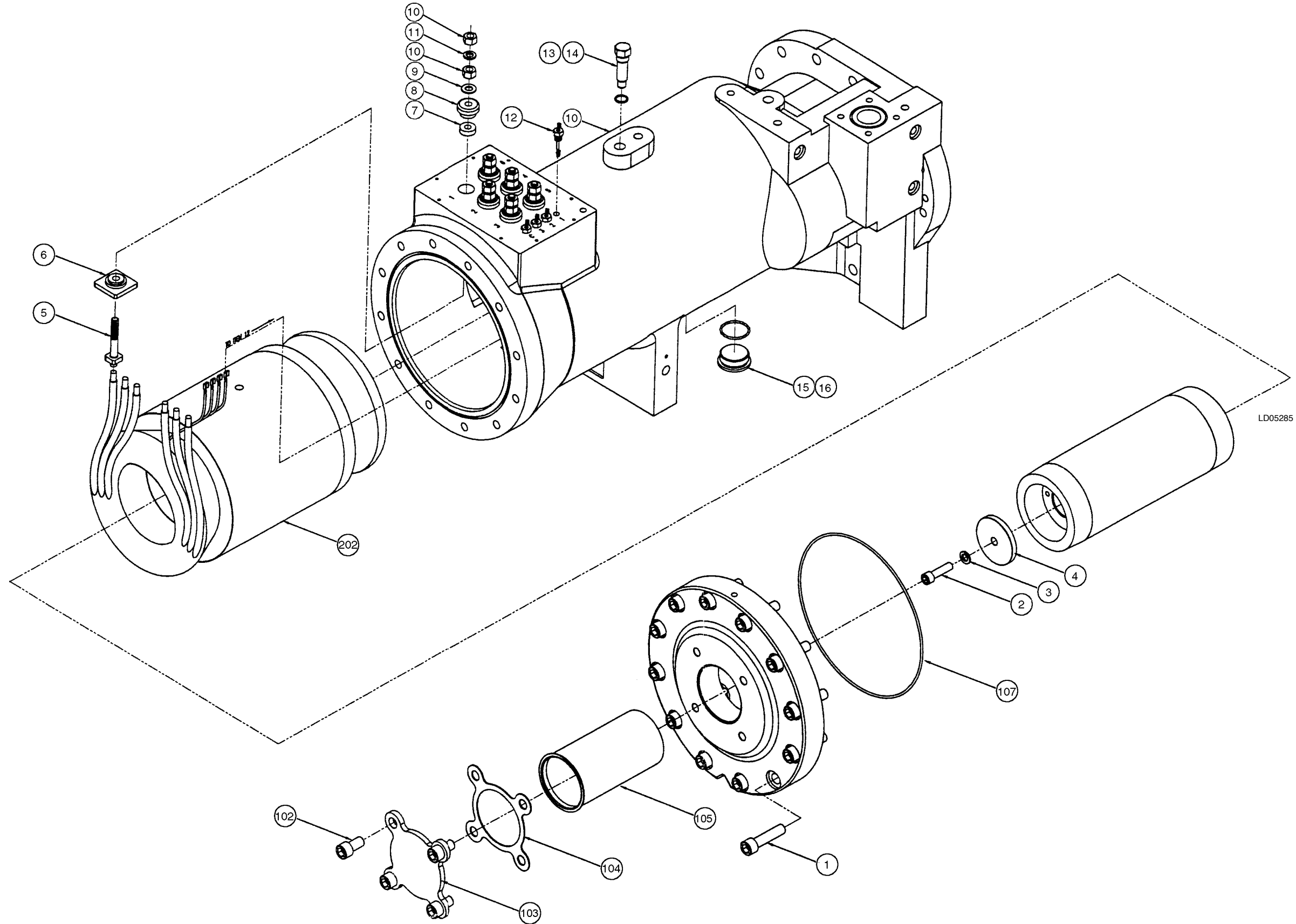
COMPRESSOR COMPONENTS / RELATED PARTS (CONT'D)

TABLE 7 – DXS COMPRESSOR COMPONENTS / RELATED PARTS (SEE FIG. 9, PAGES 21 AND 21A)

ITEM NO.	PART DESCRIPTION	PART NUMBER
1	SCREW, SOCKET HD. CAP - M16 x 65mm LG.	021-19108-000
2	SCREW, SOCKET HD. CAP - M16 x 65mm LG.	021-19114-000
3	WASHER, LOCK - M12	021-19106-000
4	WASHER, CLAMP	064-48993-000
5	BOLT, TERMINAL	021-19104-000
6	INSULATOR, BOTTOM	025-33200-000
7	SEAL, TERMINAL	028-13946-000
8	INSULATOR, TOP	025-33201-000
9	WASHER, TERMINAL	021-19117-000
10	NUT - HVY. HEX 7/16" - 20UNF	021-19102-000
11	WASHER, LOCK - THK. LD. 7/16"	021-19101-000
12	THERMISTOR, 7/16" - 20UNF - 2A	025-33202-000
13	PIN, STATOR LOCATING	064-49129-000
14	O-RING 3 - 908	028-13856-000
15	PLUG - HOLLOW HEX 1-7/8"	023-18926-000
16	O-RING 3-924	028-13865-000
102	SCREW, SOCKET HD. CAP - M16 x 30mm LG.	028-19118-000
103	PLATE, VALVE COVER	064-49009-000
104	GASKET 3-1/2"	028-13864-000
105	STRAINER, SUCTION	026-35600-000
106	COVER, SUCTION	064-49198-000
107	O-RING 2 - 276	028-13852-000

Compressor

COMPRESSOR COMPONENTS / RELATED PARTS (CONT'D)



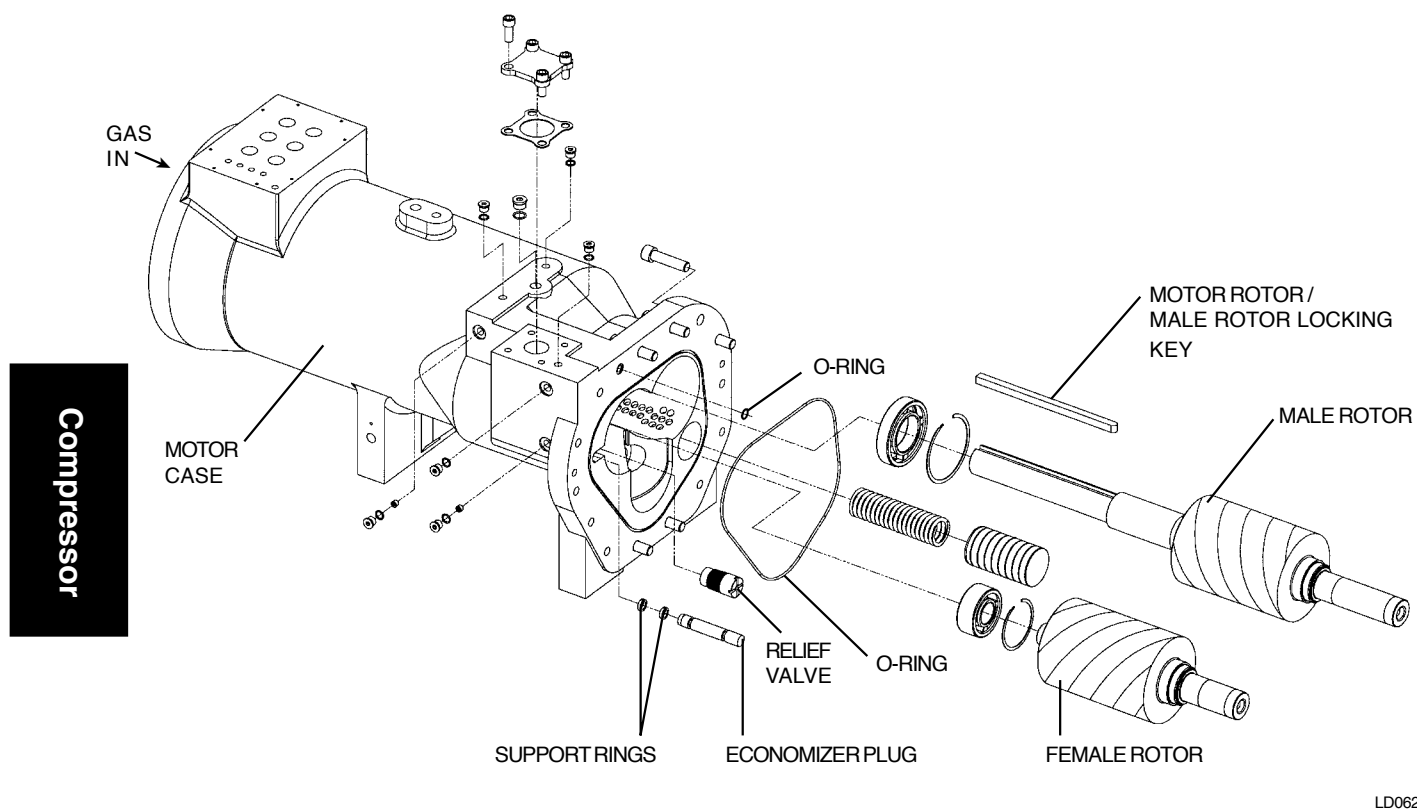
LD05285

Compressor

FIG. 9 – COMPRESSOR TERMINAL COMPONENTS

COMPRESSOR COMPONENTS / RELATED PARTS (CONT'D)

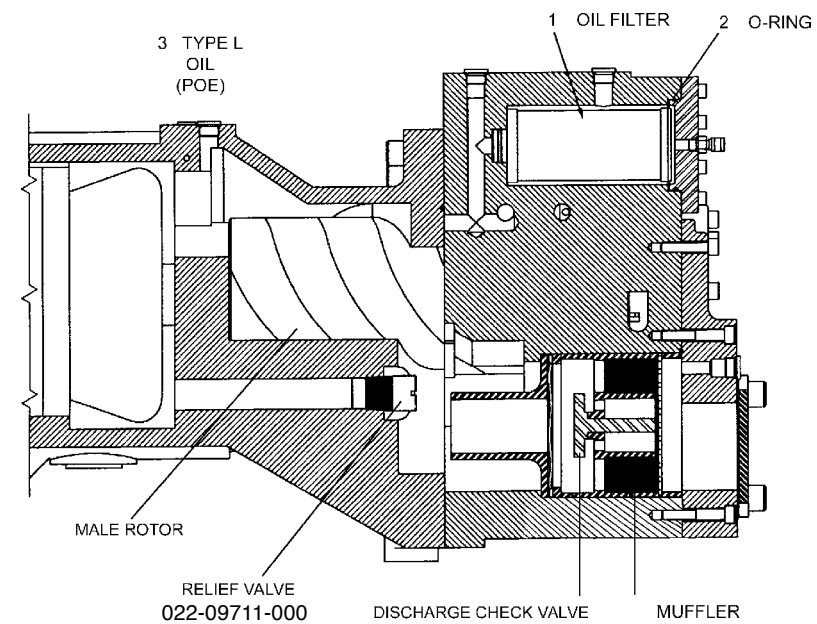
NOTE: This figure is for reference only. These parts are not field serviceable.



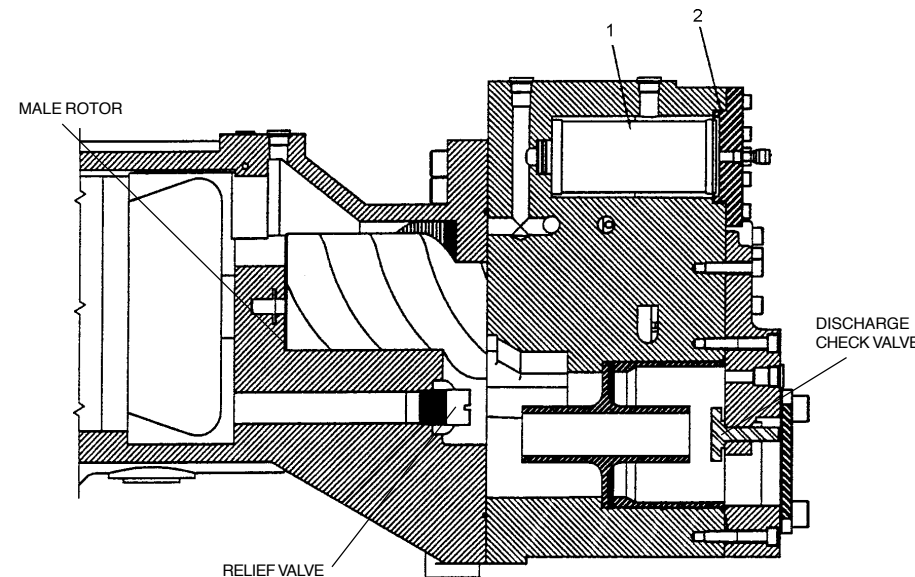
LD06258

FIG. 10 – DXS COMPRESSOR PARTIAL EXPLODED VIEW

COMPRESSOR COMPONENTS / RELATED PARTS (CONT'D)



LD05289
LEVEL I
(Original)



LD06079
LEVEL II
(Improved)

FIG. 11 – COMPRESSOR FILTER AND MUFFLER

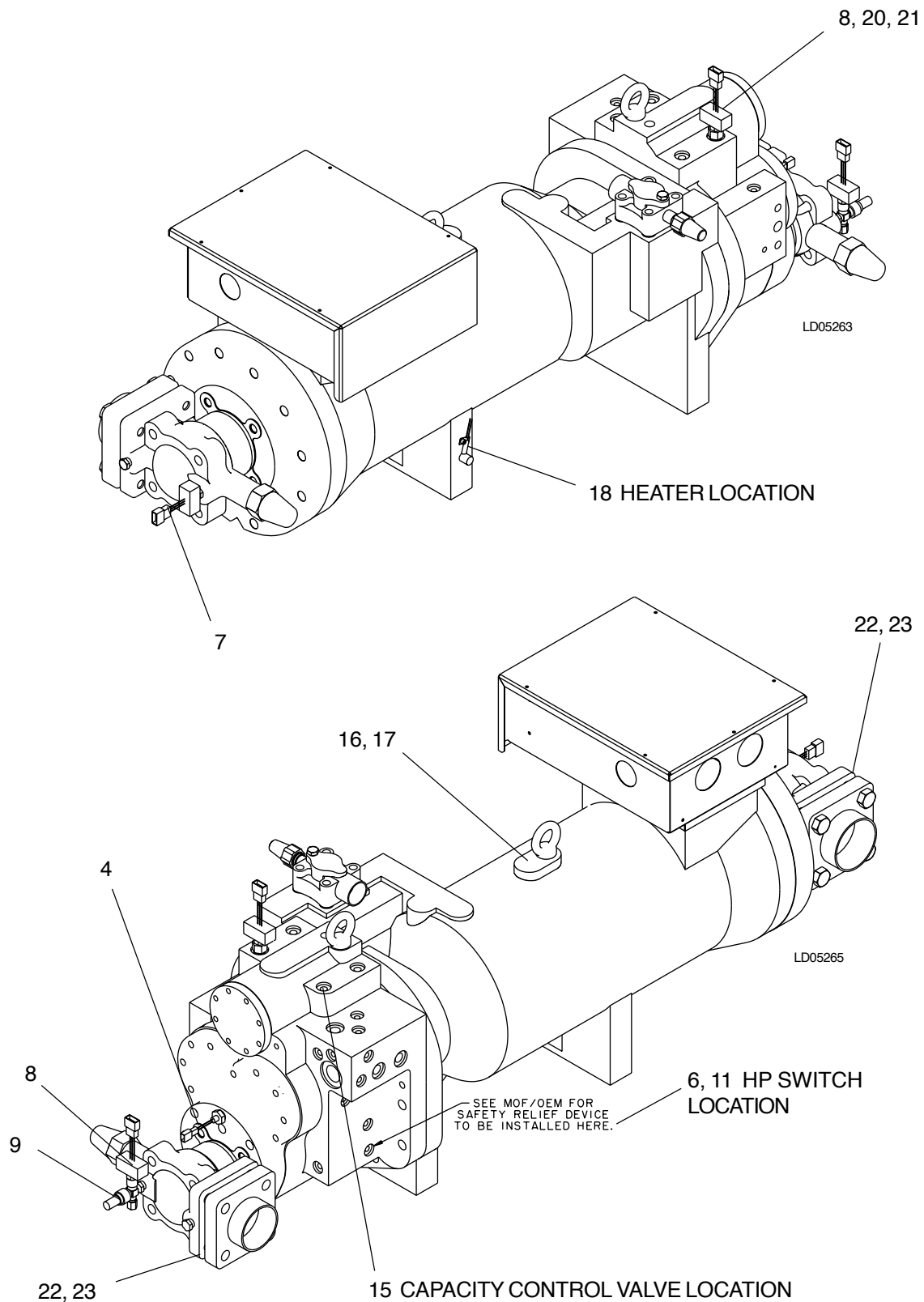
ITEM NO.	QTY PER COMP	DESCRIPTION	MODEL YCAS0130 - YCAS0230
1 ^s	1	FILTER	026-35601-000
2 ^s	1	O-RING	028-13849-000
3 ^s	5 GAL	OIL, 5 GAL TYPE L POE	011-00592-000

^s = Recommended Spare Part

LEVEL II KITS

MUFFLER KITS		COMP. MODEL	SERIAL NO. (START NEW MUFFLER)	KIT PART NUMBER
An improved muffler was introduced on production units beginning with the compressor serial numbers shown right. It may be offered as an upgrade on earlier production units.		DXS24	X X 3283	364-49676-000
		DXS36	X X 3357	364-49674-000
		DXS45	X X 3074	364-49675-000

COMPRESSOR AND CONTROL COMPONENTS

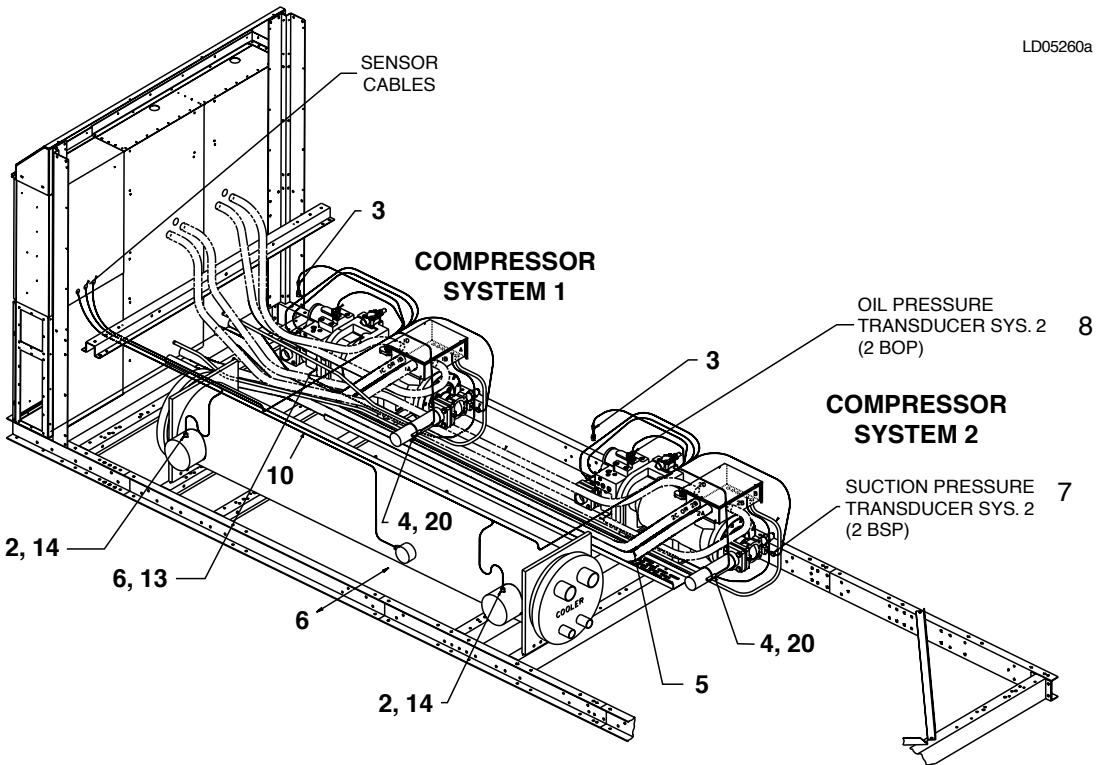
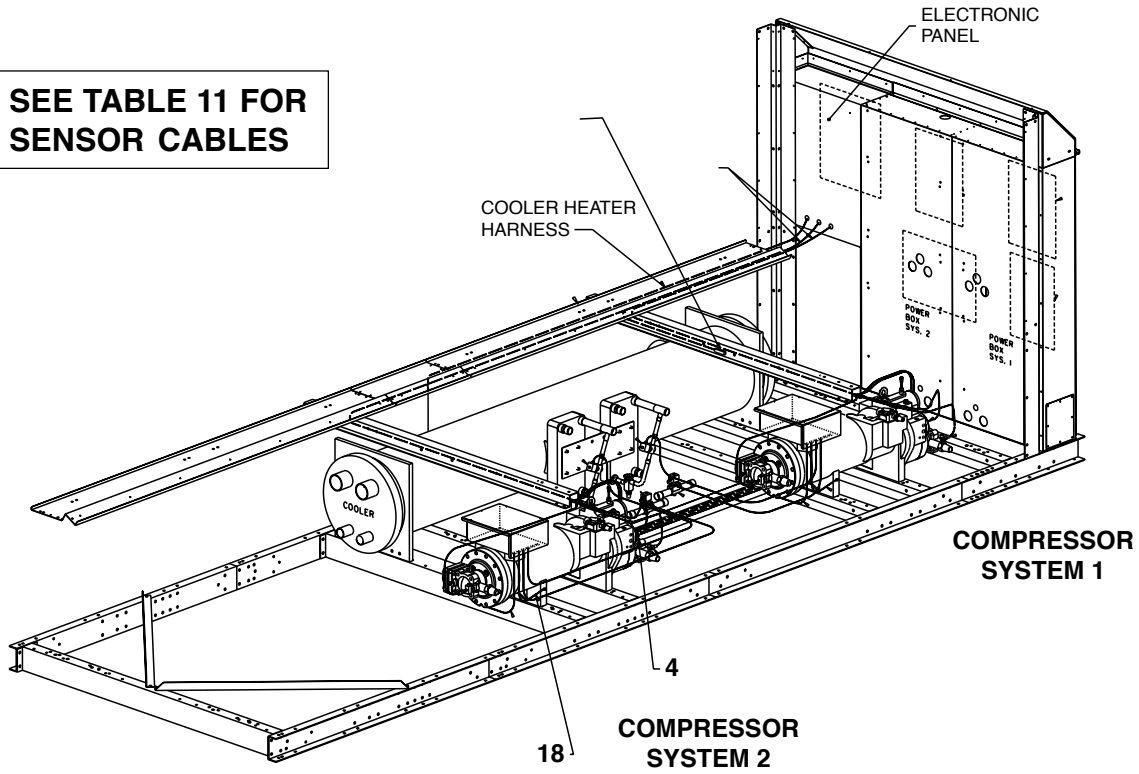


Compressor

FIG. 12 – DXS COMPRESSOR OUTLINE (REF. TABLES 8 AND 9, PAGE 25)

COMPRESSOR AND CONTROL COMPONENTS (CONT'D)

SEE TABLE 11 FOR
SENSOR CABLES



LD05260a

FIG. 13 – COMPRESSOR AND CONTROL COMPONENTS (REF. TABLES 8, PAGE 25)

COMPRESSOR AND CONTROL COMPONENTS (CONT'D)

TABLE 8 – COMPRESSOR AND CONTROL COMPONENTS (SEE FIGS. 12 AND 13, PAGES 23 AND 24)

ITEM NUMBER	QUANTITY	SYSTEM	DESCRIPTION	VOLTAGE CODE	PART NUMBER
^s 1	1	Unit	Sensor, Outside Air (OAT)	ALL	025-28663-001
^s 2	2	Unit	Sensor, Water Temp.	ALL	025-29964-000
^s 3	2	1, 2	Sensor, Oil Temp.	ALL	025-30440-000
^s 4	2	1, 2	Sensor, Disc. Temp.	ALL	025-32924-000
^s 5	2	1, 2	Sensor, Suction Temp.	ALL	025-28935-000
^s 6	2	1, 2	Switch, High Press. Cutout	ALL	025-30480-000
^s 7	2	1, 2	Transducer 0-200 PSI	ALL	025-29583-000
^s 8	4	1, 2	Transducer 0-400 PSI	ALL	025-29139-001
9	6	1, 2	Valve, Transducer (Use with Items 7 & 8) 1/4 MPT x 1/4 FPT	ALL	022-09503-000
10	4	1, 2	Valve, Charging (Oil, Refrig). 1/2 x 3/8 Flare (Not Shown)	ALL	022-09754-000
11	2	1, 2	Adaptor, Mounting (Includes Item 12) (Use with Item 6)	ALL	023-18087-000
12	4	1, 2	O-Ring (Use with Item 11)	ALL	028-13540-000
13	6	1, 2	Bushing (Use with Items 6 and 7)	ALL	023-18052-000
14	1	Unit	Compound, Heat Conductive (Use with Item 2)	ALL	013-00898-000
^s 15	2	1, 2	Valve, Capacity Control	ALL	025-33205-000
16	2	1, 2	Lock Pin, Stator, EC 1099	ALL	064-43219-000
17	2	1, 2	O-ring, Lock Pin	ALL	028-13856-000
18	2	1, 2	Heater, Compressor 350 Watt	120V	025-32938-000
^s 19	4	1, 2	Suppressor (Not Shown)	ALL	031-01117-000
20	2	1, 2	Adapter, 3/4-16 UNF (Includes O-ring)	ALL	023-18225-000
21	2	1, 2	O-ring for Item 20	ALL	028-12961-004

^s Recommended Spare Part

TABLE 9 – COMPRESSOR STOP VALVES AND GASKETS

COMPRESSOR	LOCATION	VALVE (22)	PART NUMBER	GASKET (23)
112mm	Suct.	Stop Valve - 2 5/8	022-09777-001	028-13863-000
	Disc.	Stop Valve - 1 5/8	022-03727-003	028-13862-000
	Econ.	No Valve - Gasket Only 7/8	----	028-13948-000
124mm	Suct.	Stop Valve - 2 5/8	022-09777-001	028-13863-000
	Disc.	Stop Valve - 2 1/8	022-01393-001	028-13902-000
	Econ.	Stop Valve - 1 5/8	022-03727-003	028-13862-000
136mm	Suct.	Stop Valve - 3 5/8	022-02845-001	028-13864-000
	Disc.	Stop Valve - 2 5/8	022-09777-001	028-13863-000
	Econ.	Stop Valve - 1 5/8	022-03727-003	028-13862-000
148mm	Suct.	Stop Valve - 3 5/8	022-02845-001	028-13864-000
	Disc.	Stop Valve - 2 5/8	022-09777-001	028-13863-000
	Econ.	Stop Valve - 1 5/8	022-03727-003	028-13862-000

MICRO PANEL COMPONENTS

TABLE 10 – MICRO PANEL COMPONENTS (SEE FIGS. 14 AND 15, PAGES 27, 27A, 27B, AND 28)

ITEM NO.	QUANTITY	DESCRIPTION	PART NO.	NOTE
1	1	Door For Micro-Compartment	RAM-201704	2-Piece Bolted Control/Option Panel
	1	Door for Options Compartment	RAM-201733	
1	1	Door For Micro-Compartment	071-03616-000	1-Piece Control/Option Panel
	1	Door For Options Compartment	071-03617-000	
2	1	MicroBoard	031-01095-002	115V / 24V
3	1	Power Supply Board	031-01094-000	
4	2	Relay Circuit Board	031-01093-000	
5	1	Transformer, Control 2T	025-27911-000	
6	1	Kit, Terminal Block	025-33760-000	
7	1	Kit, Terminal Block	025-33761-000	
8	2	Catch, Magnetic (Not Shown)	029-20878-000	
9	22	Screw, Tap Thread	021-13789-000	
10	1	Tag, Identification	035-15183-000	
11	28	Nut, Expansion	021-14661-000	
12	28	Screw, Tap Thread	021-14667-000	
13	4	Lockwasher, TH Int 3/8	021-01155-000	
14	4	Nut, Hex 3/8-16 UNC-2B	021-00467-000	
15	3	Circuit Breaker, 6A	024-30913-000	
16	24	Nut/Washer Assembly (KEPS)	021-18024-000	
17	2	Strap, Cable	025-18167-000	
18	1	Transformer, Control 3T	025-18452-000	
19	22	Screw, Tap, Pan Head	021-13789-000	115V / 24V
20	4	Lockwasher, Hel. Spring,	021-17576-000	
21	4	Nut, Hex	021-10056-000	
22	2	Switch, On/Off	024-25517-000	
23	1	Display	031-01110-000	
24	1	Ribbon Cable	071-02253-251	
25	4	Ribbon Cable	071-02253-252	
26	1	Ribbon Cable	071-02253-253	
27	3	Clamp, Ribbon Wire	025-25156-000	
28	1	Transformer, Control 4T	025-30889-000	
29	4	Spacer, Nylon	021-17575-000	
30	1	Harness, Hinged Panel	571-01226-211	
31	1	Harness, Main Panel	571-02253-201	
32	1	Connector, Cable Strap	025-08301-000	
33	1	Relay, Control	024-25598-000	
34	1	EPROM	031-01798-001	
35	1	Label, Caution	035-15989-000	
36	1	Label, Warning	035-11929-000	
37	2	Connector, Cable Strap	025-12282-000	
38	1	I/O Expansion Board	031-01781-000	
39	1	Ribbon Cable	071-02253-254	
40	Varies	Plug, 6 Pin	025-28382-000	See Page 24
41	Varies	Plug, 9 Pin	025-28383-000	See Page 24
42	Varies	Plug, 12 Pin	025-28384-000	See Page 24
43	Varies	Socket, Wire End	025-28386-000	Use with Plugs 40, 41, 42

Micro Panel

MICRO PANEL COMPONENTS (CONT'D)

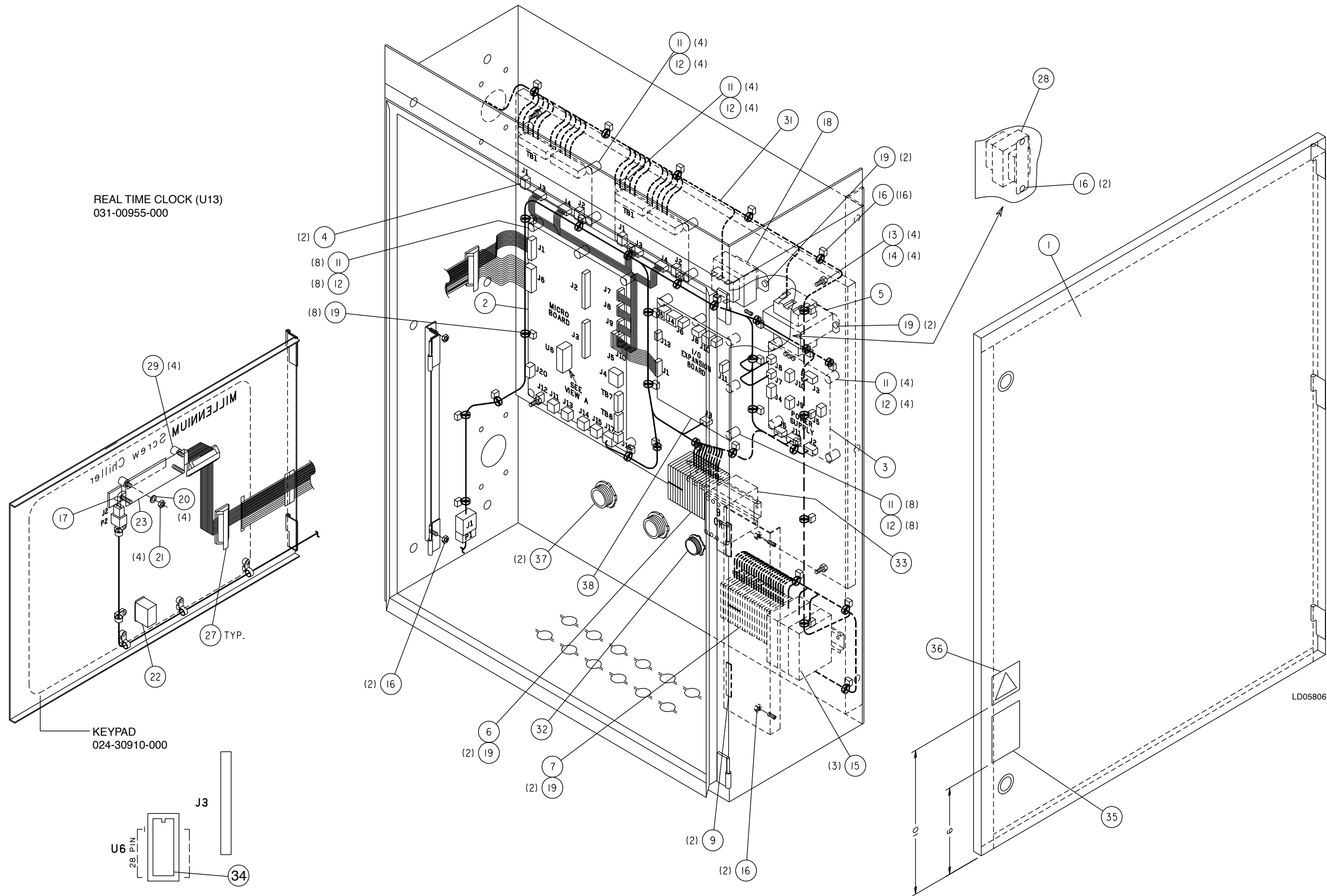
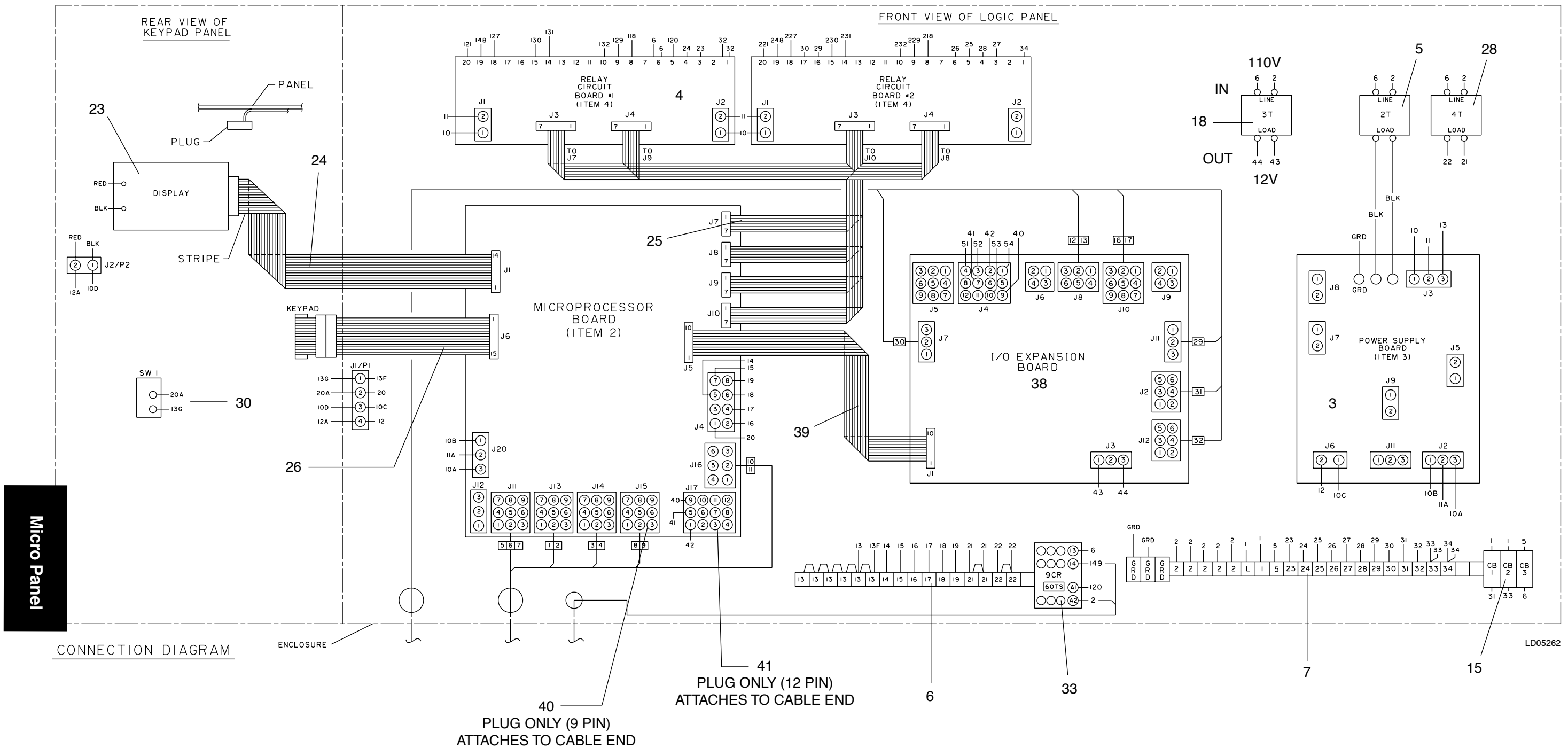


FIG. 14 – MICRO PANEL BOX (REF. TABLE 10, PAGE 26)

MICRO PANEL COMPONENTS (CONT'D)



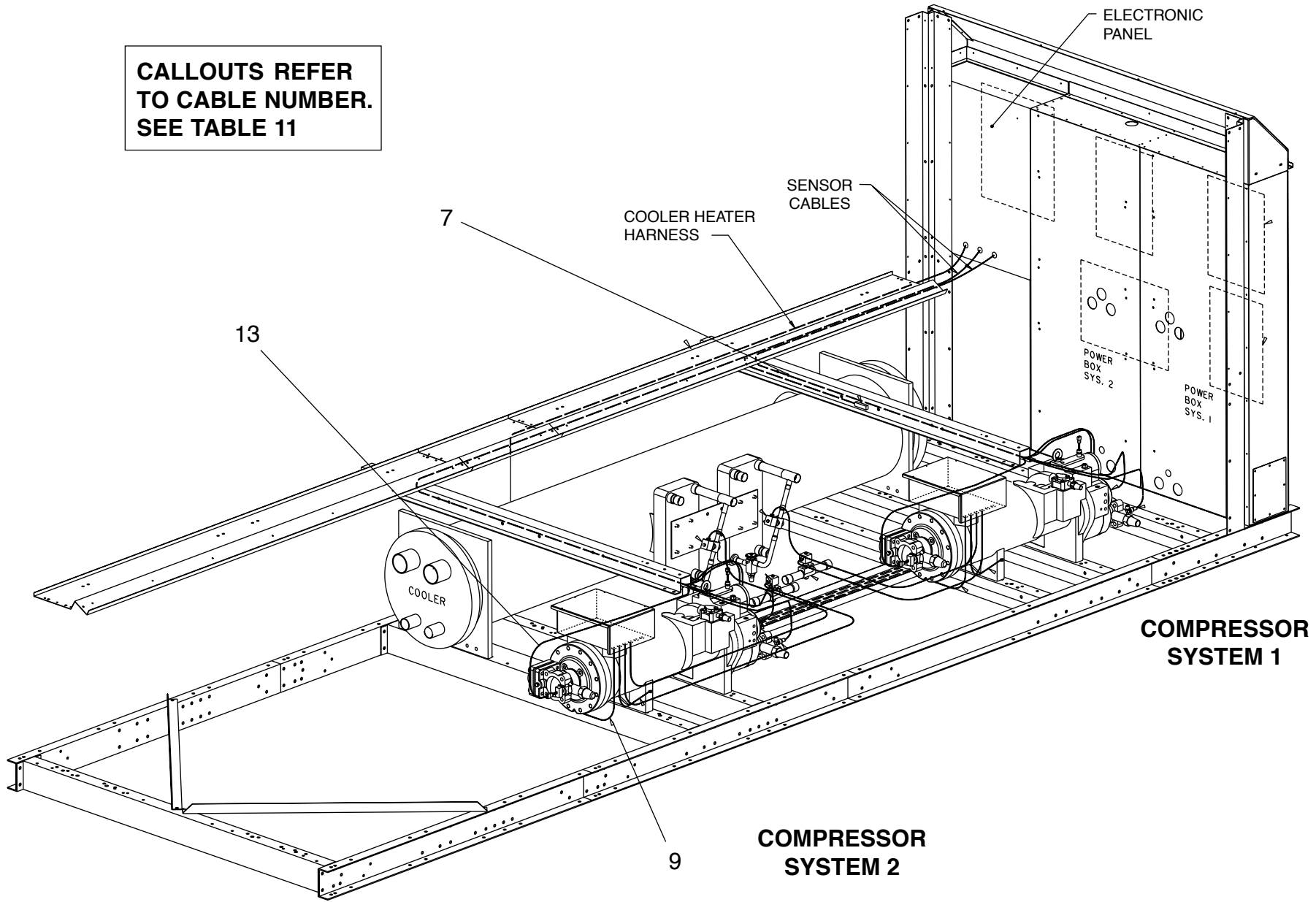
CONNECTION DIAGRAM

ENCLOSURE

LD05262

FIG. 15 – MICRO PANEL CONNECTION DIAGRAM (REF. TABLE 10, PAGE 26)

CALLOUTS REFER TO CABLE NUMBER. SEE TABLE 11

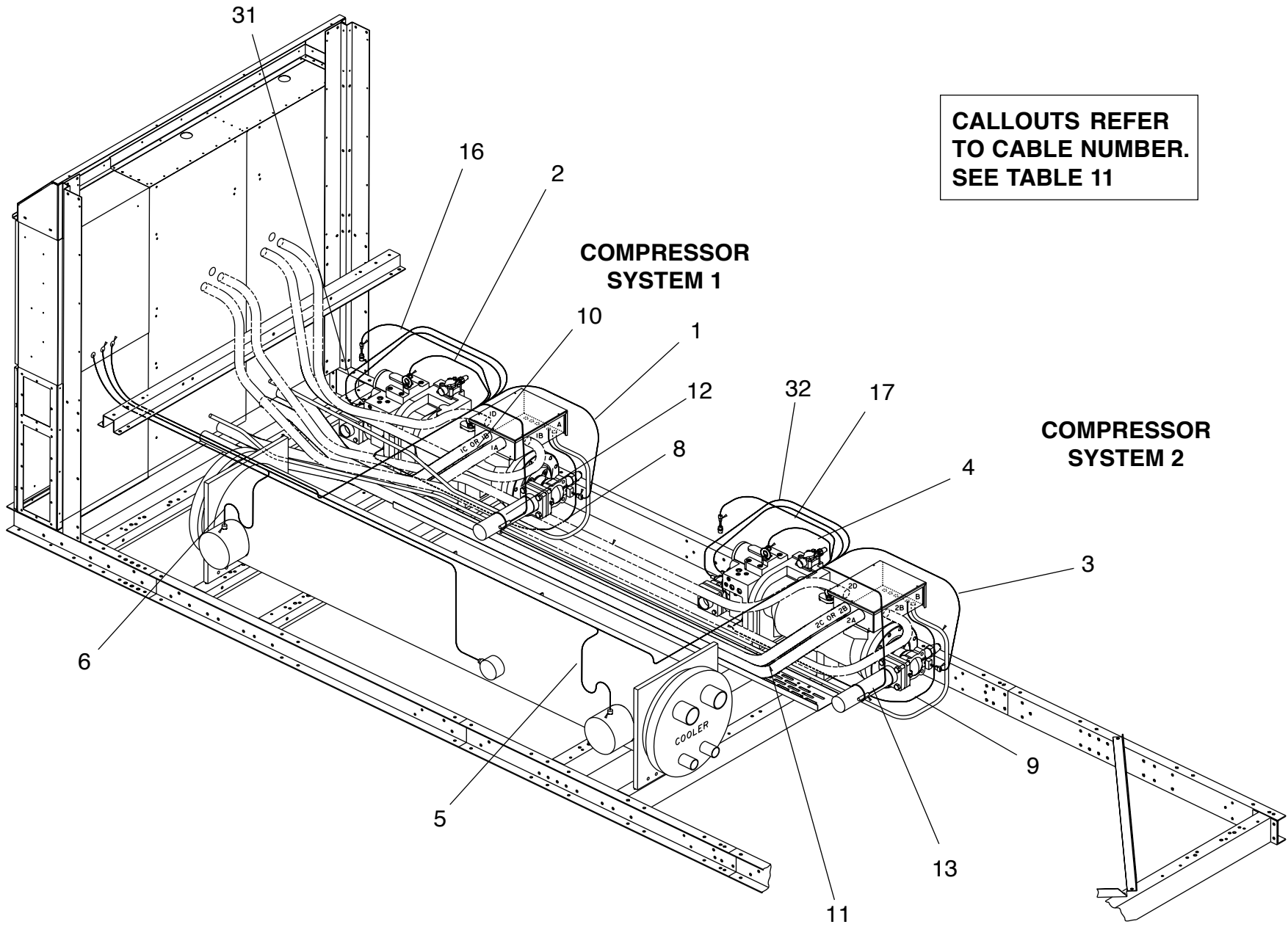


SENSOR HARNESS

FIG. 16 – HARNESS LAYOUT (REF. TABLE 11, PAGE 31)

Micro Panel

CALLOUTS REFER TO CABLE NUMBER. SEE TABLE 11



SENSOR HARNESS (CONT'D)

FIG. 17 – HARNESS LAYOUT (REF. TABLE 11, PAGE 31)

SENSOR HARNESS (CONT'D)

TABLE 11 – SENSOR HARNESS WIRING (SEE FIGS. 17 AND 18, PAGES 29 AND 30)

BOARD LOCATION	CABLE ITEM NO.	CABLE NO.	WIRE COLOR	PLUG PIN NO.	FUNCTION	HARNESS ASSY	
MICRO J13	102	1	RED	4	SYS #1 SUCTION PRESSURE	371-02253-231	
			BLK	1			
			WHT	7			
	104	2	DRAIN	2	SYS #1 OIL PRESSURE	371-02253-233	
			RED	5			
			BLK	3			
103	3	3	WHT	8	SYS #2 SUCTION PRESSURE	371-02253-232	
			DRAIN	2			
			RED	5			
105	4	4	BLK	3	SYS #2 OIL PRESSURE	371-02253-234	
			WHT	8			
			DRAIN	9			
MICRO J11	112	5	RED	7	LEAVING CHILLED WATER	371-02253-246	
			BLK	4			
			DRAIN	1			
	113	6	6	RED	8	ENTERING CHILLED WATER	371-02253-247
				BLK	5		
				DRAIN	2		
114	7	7	RED	9	OUTSIDE AIR TEMP.	371-02253-248	
			BLK	6			
			DRAIN	3			
MICRO J15	107	9	RED	4	SYS #2 DISCH. PRESSURE	371-02253-236	
			BLK	1			
			WHT	7			
	106	8	8	DRAIN	2	SYS #1 DISCH. PRESSURE	371-02253-235
				RED	5		
				BLK	3		
MICRO J16	108	10	RED	5	SYS #1 SUCTION TEMP.	371-02253-241	
			BLK	6			
			DRAIN	1			
	109	11	11	RED	2	SYS #2 SUCTION TEMP.	371-02253-242
				BLK	4		
				DRAIN	3		
I/O J10	100	16	RED	4	SYS #1 OIL TEMP.	371-02253-221	
			BLK	7			
			DRAIN	3			
	101	17	17	RED	5	SYS #2 OIL TEMP.	371-02253-222
				BLK	6		
				DRAIN	2		
I/O J8	110	12	RED	2	SYS #1 DISCH. TEMP.	371-02253-243	
			BLK	4			
			DRAIN	1			
	111	13	13	RED	5	SYS #2 DISCH. TEMP.	371-02253-244
				BLK	6		
				DRAIN	3		

BOARD LOCATION	CABLE ITEM NO.	CABLE NO.	WIRE COLOR	PLUG PIN NO.	FUNCTION	HARNESS ASSY
I/O P2	117	31	RED (47)	1	SYS #1 SLIDE VALVE	371-02253-283
			BLK (48)	2		
			DRAIN	6		
I/O P12	118	32	RED (49)	1	SYS #1 SLIDE VALVE	371-02253-284
			BLK (50)	2		
			DRAIN	6		
I/O P11	115	29	RED	1	SYS #1 COOLER INLET REFRIG. TEMP. SENSOR (R407C ONLY)	371-02253-281
			BLK	2		
			DRAIN	3		
I/O P7	116	30	RED	1	SYS #2 COOLER INLET REFRIG. TEMP. SENSOR (R407C ONLY)	371-02253-282
			BLK	2		
			DRAIN	3		

Note: Harness comes with plug for sensor connection. Plug and sockets (43) for Microboard connection must be ordered separately when needed.

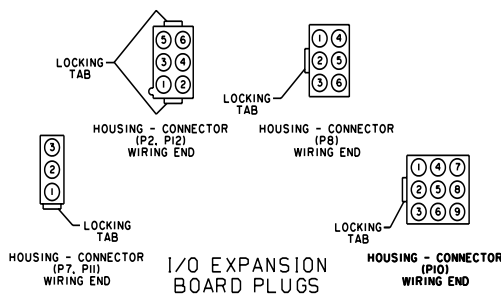
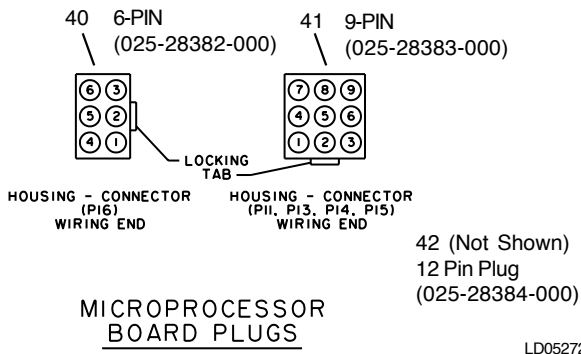
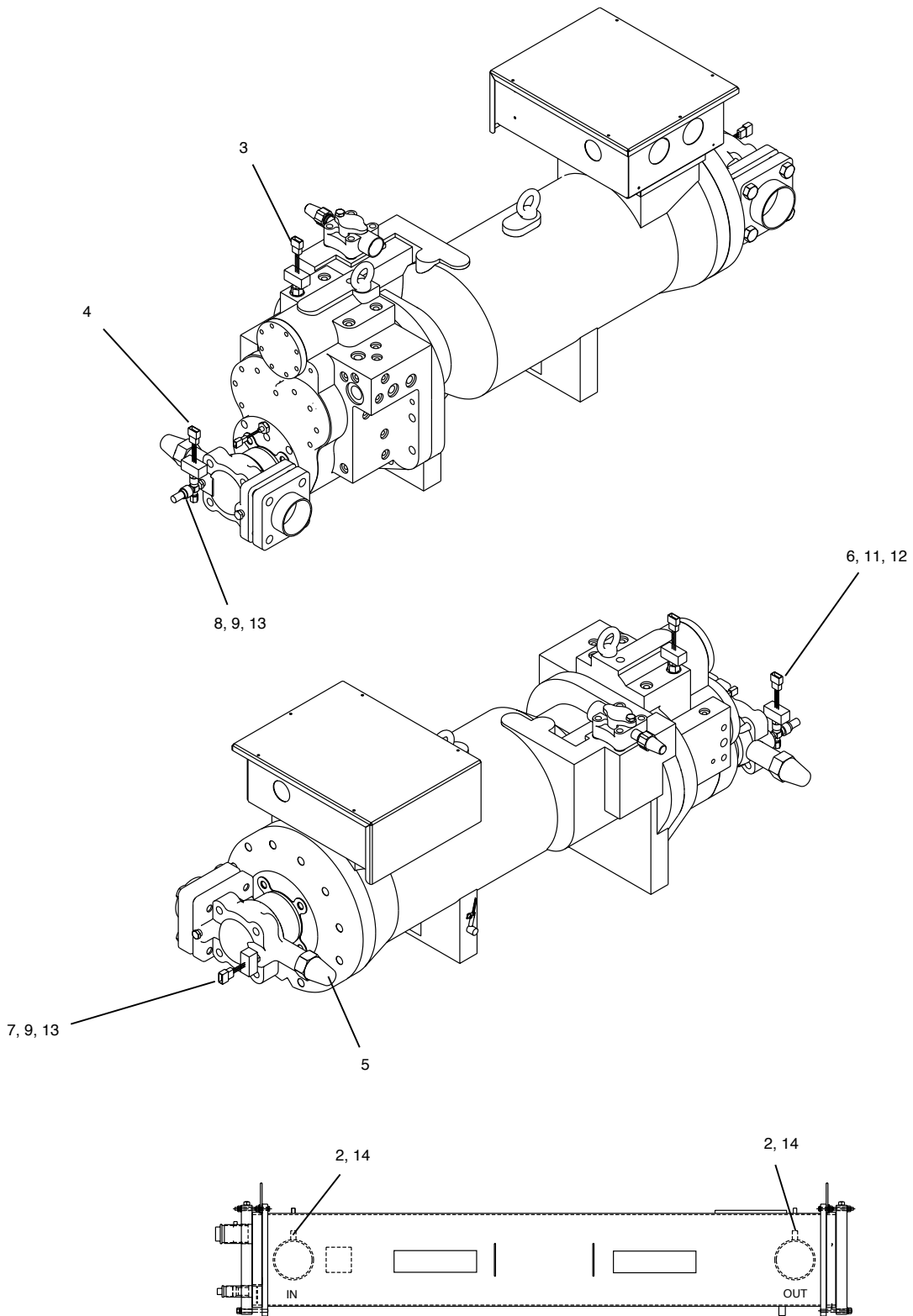


FIG. 18 – SENSOR HARNESS WIRING (SEE FIGS. 16 AND 17, PAGES 29 AND 30)

Micro Panel

TRANSDUCERS AND TEMP SENSORS



LD05263a

FIG. 19 – TRANSDUCERS AND TEMP SENSORS (REF. TABLE 12, PAGE 33)

TRANSDUCERS AND TEMP SENSORS (CONT'D)

TABLE 12 – TRANSDUCERS AND TEMP SENSORS (SEE FIG. 19, PAGE 32)

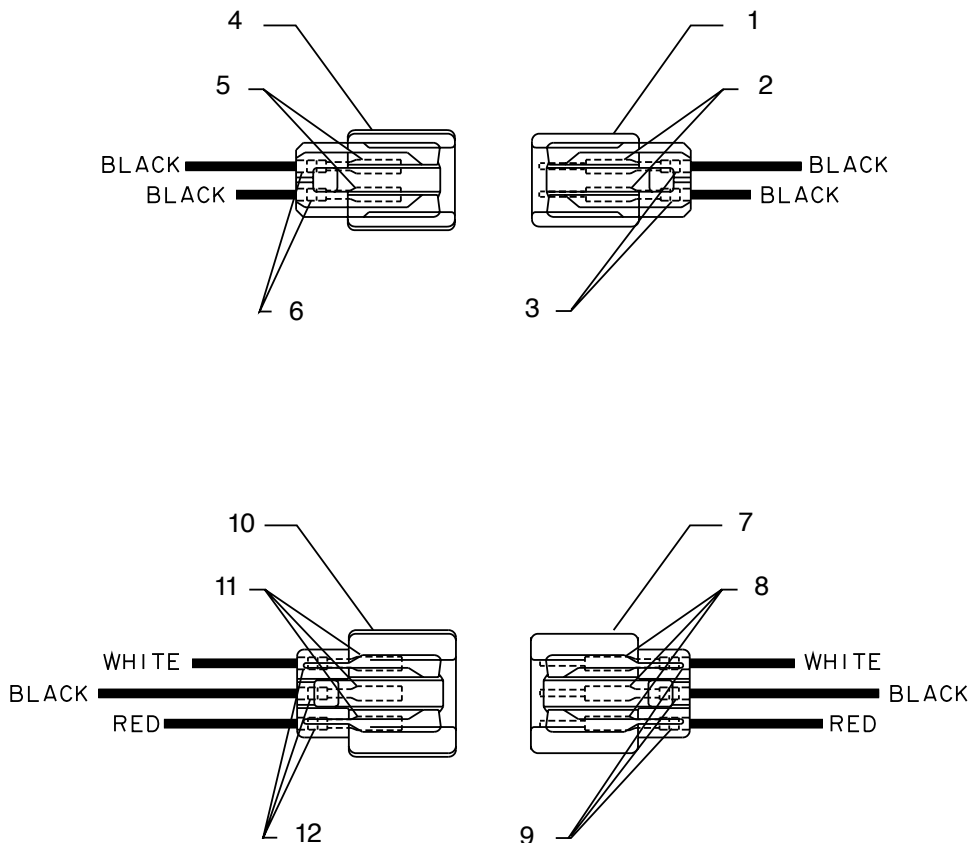
ITEM NUMBER	QUANTITY	SYSTEM	DESCRIPTION	VOLTAGE CODE	PART NUMBER
^s 1	1	Unit	Sensor, Outside Air (OAT)	ALL	025-28663-001
^s 2	2	Unit	Sensor, Water Temp.	ALL	025-29964-000
^s 3	2	1, 2	Sensor, Oil Temp.	ALL	025-30440-000
^s 4	2	1, 2	Sensor, Disc. Temp.	ALL	025-32924-000
^s 5	2	1, 2	Sensor, Suction Temp.	ALL	025-28935-000
^s 6	2	1, 2	Switch, High Press. Cutout	ALL	025-30480-000
^s 7	2	1, 2	Transducer 0-200 PSI	ALL	025-29583-000
^s 8	4	1, 2	Transducer 0-400 PSI	ALL	025-29139-001
9	6	1, 2	Valve, Transducer (Use with Items 7 & 8) 1/4 MPT x 1/4 FPT	ALL	022-09503-000
10	4	1, 2	Valve, Charging (Oil, Refrig). 1/2 x 3/8 Flare (Not Shown)	ALL	022-09754-000
11	2	1, 2	Adaptor, Mounting (Includes Item 12) (Use with Item 6)	ALL	023-18087-000
12	4	1, 2	O-Ring (Use with Item 11)	ALL	028-13540-000
13	6	1, 2	Bushing (Use with Items 6 and 7)	ALL	023-18052-000
14	1	Unit	Compound, Heat Conductive (Use with Item 2)	ALL	013-00898-000

^s Recommended Spare Part

TRANSDUCER AND TEMPERATURE SENSOR CABLE ENDS

TABLE 13– TRANSDUCER AND TEMPERATURE SENSOR CABLE ENDS - (SEE FIG. 20)

ITEM NO.	TYPE	DESCRIPTION	PINS	PART NUMBER
1	Transducer	Plug Connector	3 Pin End	025-28953-000
2		Contact Pins		025-28949-000
3		Rubber Collar		025-28950-000
4	Wire Harness	Plug Connector	3 Pin End	025-28954-000
5		Contact Pins		025-28952-000
6		Rubber Collar		025-28950-000
7	Thermistor	Plug Connector	2 Pin End	025-28948-000
8		Contact Pins		025-28949-000
9		Rubber Collar		025-28950-000
10	Wire Harness	Plug Connector	2 Pin End	025-28951-000
11		Contact Pins		025-28952-000
12		Rubber Collar		025-28950-000



LD06251

FIG. 20– TRANSDUCER AND TEMPERATURE SENSOR CABLE ENDS (REF. TABLE 13)

This page intentionally left blank.

Micro Panel

POWER PANEL IDENTIFIERS - ACROSS-THE-LINE

TABLE 14 – POWER PANEL IDENTIFIERS (SELECT PANEL NUMBER BELOW, THEN REFER TO “POWER PANEL COMPONENTS-ACROSS THE LINE” TABLE ON PAGES 38 - 45, AND FIG. 21, PAGE 36)

Model	Terminal Block	w/Separate Breakers System Circuit Switches	w/Separate System NF Disconnect
	Panel Number	Panel Number	Panel Number
YCAS0130E-17XF	371-02302-150	371-02302-250	371-02302-350
YCAS0130E-28XF	371-02302-151	371-02302-251	371-02302-351
YCAS0130E-40XF	371-02302-152	371-02302-252	371-02302-352
YCAS0130E-46XF	371-02302-153	371-02302-253	371-02302-353
YCAS0130E-58XF	371-02302-154	371-02302-254	371-02302-354
YCAS0140E-17XF	371-02302-161	371-02302-261	371-02302-361
YCAS0140E-28XF	371-02302-157	371-02302-264	371-02302-364
YCAS0140E-40XF	371-02302-163	371-02302-263	371-02302-363
YCAS0140E-46XF	371-02302-164	371-02302-253	371-02302-353
YCAS0140E-58XF	371-02302-165	371-02302-266	371-02302-375
YCAS0150E-17XF	371-02302-155	371-02302-255	371-02302-355
YCAS0150E-28XF	371-02302-162	371-02302-262	371-02302-362
YCAS0150E-40XF	371-02302-156	371-02302-256	371-02302-356
YCAS0150E-46XF	371-02302-167	371-02302-257	371-02302-357
YCAS0150E-58XF	371-02302-168	371-02302-268	371-02302-358
YCAS0160E-17XF	371-02302-160	371-02302-258	371-02302-376
YCAS0160E-28XF	371-02302-161	371-02302-261	371-02302-361
YCAS0160E-40XF	371-02302-159	371-02302-276	371-02302-366
YCAS0160E-46XF	371-02302-152	371-02302-252	371-02302-352
YCAS0160E-58XF	371-02302-153	371-02302-253	371-02302-353
YCAS0170E-17XF	371-02302-160	371-02302-258	371-02302-377
YCAS0170E-28XF	371-02302-169	371-02302-270	371-02302-367
YCAS0170E-40XF	371-02302-177	371-02302-260	371-02302-360
YCAS0170E-46XF	371-02302-152	371-02302-252	371-02302-352
YCAS0170E-58XF	371-02302-153	371-02302-253	371-02302-353
YCAS0180E-17XF	371-02302-160	371-02302-258	371-02302-379
YCAS0180E-28XF	371-02302-170	371-02302-267	371-02302-368
YCAS0180E-40XF	371-02302-171	371-02302-271	371-02302-369
YCAS0180E-46XF	371-02302-152	371-02302-252	371-02302-352
YCAS0180E-58XF	371-02302-153	371-02302-253	371-02302-353
YCAS0200E-17XF	371-02302-158	371-02302-265	371-02302-365
YCAS0200E-28XF	371-02302-160	371-02302-258	371-02302-376
YCAS0200E-40XF	371-02302-171	371-02302-271	371-02302-369
YCAS0200E-46XF	371-02302-159	371-02302-269	371-02302-366
YCAS0200E-58XF	371-02302-172	371-02302-272	371-02302-370
YCAS0210E-17XF	371-02302-158	371-02302-265	371-02302-365
YCAS0210E-28XF	371-02302-173	371-02302-273	371-02302-371
YCAS0210E-40XF	371-02302-174	371-02302-274	371-02302-372
YCAS0210E-46XF	371-02302-176	371-02302-277	371-02302-374
YCAS0210E-58XF	371-02302-178	371-02302-278	371-02302-378
YCAS0230E-17XF	371-02302-158	371-02302-265	371-02302-365
YCAS0230E-28XF	371-02302-158	371-02302-265	371-02302-365
YCAS0230E-40XF	371-02302-175	371-02302-275	371-02302-373
YCAS0230E-46XF	371-02302-179	371-02302-259	371-02302-359
YCAS0230E-58XF	371-02302-152	371-02302-252	371-02302-352

ITEM	DESCRIPTION	QTY.	371-02302-150	371-02302-151	371-02302-152	371-02302-153	371-02302-154	371-02302-155
1A	Contactor	1	024-31644-000	024-31643-000	024-31642-000	024-26577-000	024-31639-000	024-31644-000
		1	024-31644-000	024-31643-000	024-31642-000	024-26577-000	024-31639-000	024-31645-000
1B	Contactor	1	—	—	—	—	—	—
		1	031-00808-000	031-00808-000	031-00808-000	031-00808-000	031-00808-000	031-00808-000
1C	Surge Suppressor	1	025-34401-000	025-34401-000	025-34401-000	025-34401-000	025-34401-000	025-34401-000
1E	Lugs, Contactor	4	071-02600-000	071-02600-000	071-02600-000	071-02600-000	071-02600-000	071-02600-000
2A	120V Harness	1	024-30907-000	024-30907-000	024-30907-000	024-30907-000	024-30907-000	024-30907-000
3 ^s	Motor Protector	1	025-34455-000	025-34455-000	025-34455-000	025-34455-000	025-34455-000	025-34455-000
4	Ground Lug	1	025-34089-000	025-34089-000	025-34089-000	025-34089-000	025-34089-000	025-34089-000
5	Ground Lug	1	025-34408-000	025-34405-000	025-34408-000	025-34408-000	025-34454-000	025-34408-000
6	Terminal Block	3	025-34408-000	025-34405-000	025-34408-000	025-34408-000	025-34454-000	025-34405-000
		3	—	—	—	—	—	—
7	Circuit Breaker	3	—	—	—	—	—	—
		3	—	—	—	—	—	—
8	NF Disconnect Switch	3	—	—	—	—	—	—
		3	—	—	—	—	—	—
10	Operator Mech.	2	—	—	—	—	—	—
11	Sw. C/B Aux.2A/2B	2	—	—	—	—	—	—

POWER PANEL COMPONENTS - ACROSS-THE-LINE

ITEM	DESCRIPTION	QTY.	371-02302-156	371-02302-157	371-02302-158	371-02302-159	371-02302-160	371-02302-161
1A	Contactor	1	024-31642-000	024-31644-000	024-31645-000	024-31638-000	024-31645-000	024-31644-000
		1	024-31638-000	024-31644-000	024-31645-000	024-31638-000	024-31645-000	024-31644-000
1B	Contactor	1	—	—	—	—	—	—
		1	—	—	—	—	—	—
1C	Surge Suppressor	1	031-00808-000	031-00808-000	031-00808-000	031-00808-000	031-00808-000	031-00808-000
1E	Lugs, Contactor	4	025-34401-000	025-34401-000	025-34401-000	025-34401-000	025-34401-000	025-34401-000
2A	120V Harness	1	071-02600-000	071-02600-000	071-02600-000	071-02600-000	071-02600-000	071-02600-000
3 ^s	Motor Protector	1	024-30907-000	024-30907-000	024-30907-000	024-30907-000	024-30907-000	024-30907-000
4	Ground Lug	1	025-34455-000	025-34455-000	025-34455-000	025-34455-000	025-34455-000	025-34455-000
5	Ground Lug	1	025-34089-000	025-34089-000	025-34089-000	025-34089-000	025-34089-000	025-34089-000
6	Terminal Block	3	025-34408-000	025-34405-000	025-34405-000	025-34408-000	025-34405-000	025-34408-000
		3	025-34405-000	025-34405-000	025-34405-000	025-34408-000	025-34405-000	025-34408-000
7	Circuit Breaker	3	—	—	—	—	—	—
		3	—	—	—	—	—	—
8	NF Disconnect Switch	3	—	—	—	—	—	—
		3	—	—	—	—	—	—
10	Operator Mech.	2	—	—	—	—	—	—
11	Sw. C/B Aux.2A/2B	2	—	—	—	—	—	—

ITEM	DESCRIPTION	QTY.	371-02302-162	371-02302-163	371-02302-164	371-02302-165	371-02302-167	371-02302-168
1A	Contactor	1	024-31644-000	024-31642-000	024-26577-000	024-26577-000	024-26577-000	024-26577-000
		1	024-31644-000	024-31642-000	024-26577-000	024-26577-000	024-31642-000	024-26577-000
1B	Contactor	1	—	—	—	—	—	—
		1	—	—	—	—	—	—
1C	Surge Suppressor	1	031-00808-000	031-00808-000	031-00808-000	031-00808-000	031-00808-000	031-00808-000
1E	Lugs, Contactor	4	025-34401-000	025-34401-000	025-34401-000	025-34401-000	025-34401-000	025-34401-000
2A	120V Harness	1	071-02600-000	071-02600-000	071-02600-000	071-02600-000	071-02600-000	071-02600-000
3 ^s	Motor Protector	1	024-30907-000	024-30907-000	024-30907-000	024-30907-000	024-30907-000	024-30907-000
4	Ground Lug	1	025-34455-000	025-34455-000	025-34455-000	025-34455-000	025-34455-000	025-34455-000
5	Ground Lug	1	025-34089-000	025-34089-000	025-34089-000	025-34089-000	025-34089-000	025-34089-000
6	Terminal Block	3	025-34408-000	025-34408-000	025-34454-000	025-34454-000	025-34408-000	025-34454-000
		3	025-34408-000	025-34408-000	025-34454-000	025-34454-000	025-34408-000	025-34454-000
7	Circuit Breaker	3	—	—	—	—	—	—
		3	—	—	—	—	—	—
8	NF Disconnect Switch	3	—	—	—	—	—	—
		3	—	—	—	—	—	—
10	Operator Mech.	2	—	—	—	—	—	—
11	Sw. C/B Aux.2A/2B	2	—	—	—	—	—	—

ITEM	DESCRIPTION	QTY.	371-02302-169	371-02302-170	371-02302-171	371-02302-172	371-02302-173	371-02302-174
1A	Contactor	1	024-31644-000	024-31644-000	024-31643-000	024-26577-000	024-31645-000	024-31643-000
		1	024-31644-000	024-31644-000	024-31643-000	024-26577-000	024-31645-000	024-31643-000
1B	Contactor	1	—	—	—	—	—	—
		1	—	—	—	—	—	—
1C	Surge Suppressor	1	031-00808-000	031-00808-000	031-00808-000	031-00808-000	031-00808-000	031-00808-000
1E	Lugs, Contactor	4	025-34401-000	025-34401-000	025-34401-000	025-34401-000	025-34401-000	025-34401-000
2A	120V Harness	1	071-02600-000	071-02600-000	071-02600-000	071-02600-000	071-02600-000	071-02600-000
3 ^s	Motor Protector	1	024-30907-000	024-30907-000	024-30907-000	024-30907-000	024-30907-000	024-30907-000
4	Ground Lug	1	025-34455-000	025-34455-000	025-34455-000	025-34455-000	025-34455-000	025-34455-000
5	Ground Lug	1	025-34089-000	025-34089-000	025-34089-000	025-34089-000	025-34089-000	025-34089-000
6	Terminal Block	3	025-34408-000	025-34408-000	025-34405-000	025-34408-000	025-34405-000	025-34405-000
		3	025-34408-000	025-34408-000	025-34405-000	025-34408-000	025-34405-000	025-34405-000
7	Circuit Breaker	3	—	—	—	—	—	—
		3	—	—	—	—	—	—
8	NF Disconnect Switch	3	—	—	—	—	—	—
		3	—	—	—	—	—	—
10	Operator Mech.	2	—	—	—	—	—	—
11	Sw. C/B Aux.2A/2B	2	—	—	—	—	—	—

ITEM	DESCRIPTION	QTY.	371-02302-175	371-02302-176	371-02302-177	371-02302-178	371-02302-179	371-02302-250
1A	Contactor	1	024-31643-000	024-31638-000	024-31638-000	024-26577-000	024-31638-000	024-31644-000
		1	024-31643-000	024-31638-000	024-31643-000	024-31642-000	024-31638-000	024-31644-000
1B	Contactor	1	--	--	--	--	--	--
		1	--	--	--	--	--	--
1C	Surge Suppressor	1	031-00808-000	031-00808-000	031-00808-000	031-00808-000	031-00808-000	031-00808-000
1E	Lugs, Contactor	4	025-34401-000	025-34401-000	025-34401-000	025-34401-000	025-34401-000	025-34401-000
2A	120V Harness	1	071-02600-000	071-02600-000	071-02600-000	071-02600-000	071-02600-000	071-02600-000
3 ^s	Motor Protector	1	024-30907-000	024-30907-000	024-30907-000	024-30907-000	024-30907-000	024-30907-000
4	Ground Lug	1	025-34455-000	025-34455-000	025-34455-000	025-34455-000	025-34455-000	025-34455-000
5	Ground Lug	1	025-34089-000	025-34089-000	025-34089-000	025-34089-000	025-34089-000	025-34089-000
6	Terminal Block	3	025-34405-000	025-34408-000	025-34408-000	025-34408-000	025-34405-000	--
		3	025-34405-000	025-34405-000	025-34405-000	025-34408-000	025-34405-000	--
7	Circuit Breaker	3	--	--	--	--	--	025-34425-000
		3	--	--	--	--	--	025-34425-000
8	NF Disconnect Switch	3	--	--	--	--	--	--
		3	--	--	--	--	--	--
10	Operator Mech.	2	--	--	--	--	--	025-34413-000
11	Sw. C/B Aux.2A/2B	2	--	--	--	--	--	024-31648-000

ITEM	DESCRIPTION	QTY.	371-02302-251	371-02302-252	371-02302-253	371-02302-254	371-02302-255	371-02302-256
1A	Contactor	1	024-31643-000	024-31642-000	024-26577-000	024-31639-000	024-31644-000	024-31642-000
		1	024-31643-000	024-31642-000	024-26577-000	024-31639-000	024-31645-000	024-31638-000
1B	Contactor	1	--	--	--	--	--	--
		1	--	--	--	--	--	--
1C	Surge Suppressor	1	031-00808-000	031-00808-000	031-00808-000	031-00808-000	031-00808-000	031-00808-000
1E	Lugs, Contactor	4	025-34401-000	025-34401-000	025-34401-000	025-34401-000	025-34401-000	025-34401-000
2A	120V Harness	1	071-02600-000	071-02600-000	071-02600-000	071-02600-000	071-02600-000	071-02600-000
3 ^s	Motor Protector	1	024-30907-000	024-30907-000	024-30907-000	024-30907-000	024-30907-000	024-30907-000
4	Ground Lug	1	025-34455-000	025-34455-000	025-34455-000	025-34455-000	025-34455-000	025-34455-000
5	Ground Lug	1	025-34089-000	025-34089-000	025-34089-000	025-34089-000	025-34089-000	025-34089-000
6	Terminal Block	3	--	--	--	--	--	--
		3	--	--	--	--	--	--
7	Circuit Breaker	3	025-34424-000	025-34419-000	025-34419-000	024-31649-000	025-34425-000	025-34419-000
		3	025-34424-000	025-34419-000	025-34419-000	024-31649-000	025-34425-000	025-34424-000
8	NF Disconnect Switch	3	--	--	--	--	--	--
		3	--	--	--	--	--	--
10	Operator Mech.	2	025-34417-000	025-34417-000	025-34417-000	025-34417-000	025-34413-000	025-34417-000
11	Sw. C/B Aux.2A/2B	2	024-31646-000	024-31646-000	024-31646-000	024-31646-000	024-31648-000	024-31646-000

POWER PANEL COMPONENTS - ACROSS-THE-LINE (CONT'D)

ITEM	DESCRIPTION	QTY.	371-02302-257	371-02302-258	371-02302-259	371-02302-260	371-02302-261	371-02302-262
1A	Contactor	1	024-26577-000	024-31645-000	024-31638-000	024-31638-000	024-31644-000	024-31644-000
		1	024-31642-000	024-31645-000	024-31638-000	024-31643-000	024-31644-000	024-31644-000
1B	Contactor	1	—	—	—	—	—	—
		1	—	—	—	—	—	—
1C	Surge Suppressor	1	031-00808-000	031-00808-000	031-00808-000	031-00808-000	031-00808-000	031-00808-000
1E	Lugs, Contactor	4	025-34401-000	025-34401-000	025-34401-000	025-34401-000	025-34401-000	025-34401-000
2A	120V Harness	1	071-02600-000	071-02600-000	071-02600-000	071-02600-000	071-02600-000	071-02600-000
3 ^s	Motor Protector	1	024-30907-000	024-30907-000	024-30907-000	024-30907-000	024-30907-000	024-30907-000
4	Ground Lug	1	025-34455-000	025-34455-000	025-34455-000	025-34455-000	025-34455-000	025-34455-000
5	Ground Lug	1	025-34089-000	025-34089-000	025-34089-000	025-34089-000	025-34089-000	025-34089-000
6	Terminal Block	3	—	—	—	—	—	—
		3	—	—	—	—	—	—
7	Circuit Breaker	3	025-34419-000	025-34425-000	025-34424-000	025-34424-000	025-34425-000	025-34424-000
		3	025-34419-000	025-34425-000	025-34424-000	025-34424-000	025-34425-000	025-34425-000
8	NF Disconnect Switch	3	—	—	—	—	—	—
		3	—	—	—	—	—	—
10	Operator Mech.	2	025-34417-000	025-34413-000	025-34417-000	025-34417-000	025-34413-000	025-34417-000
11	Sw. C/B Aux.2A/2B	2	024-31646-000	024-31648-000	024-31646-000	024-31646-000	024-31648-000	024-31646-000

ITEM	DESCRIPTION	QTY.	371-02302-263	371-02302-264	371-02302-265	371-02302-266	371-02302-267	371-02302-268
1A	Contactor	1	024-31642-000	024-31644-000	024-31645-000	024-26577-000	024-31644-000	024-26577-000
		1	024-31642-000	024-31644-000	024-31645-000	024-26577-000	024-31644-000	024-26577-000
1B	Contactor	1	—	—	—	—	—	—
		1	—	—	—	—	—	—
1C	Surge Suppressor	1	031-00808-000	031-00808-000	031-00808-000	031-00808-000	031-00808-000	031-00808-000
1E	Lugs, Contactor	4	025-34401-000	025-34401-000	025-34401-000	025-34401-000	025-34401-000	025-34401-000
2A	120V Harness	1	071-02600-000	071-02600-000	071-02600-000	071-02600-000	071-02600-000	071-02600-000
3 ^s	Motor Protector	1	024-30907-000	024-30907-000	024-30907-000	024-30907-000	024-30907-000	024-30907-000
4	Ground Lug	1	025-34455-000	025-34455-000	025-34455-000	025-34455-000	025-34455-000	025-34455-000
5	Ground Lug	1	025-34089-000	025-34089-000	025-34089-000	025-34089-000	025-34089-000	025-34089-000
6	Terminal Block	3	—	—	—	—	—	—
		3	—	—	—	—	—	—
7	Circuit Breaker	3	025-34419-000	025-34424-000	025-34425-000	024-31649-000	025-34425-000	024-31649-000
		3	025-34419-000	025-34424-000	025-34425-000	024-31649-000	025-34425-000	025-34419-000
8	NF Disconnect Switch	3	—	—	—	—	—	—
		3	—	—	—	—	—	—
10	Operator Mech.	2	025-34417-000	025-34417-000	025-34413-000	025-34417-000	025-34413-000	025-34417-000
11	Sw. C/B Aux.2A/2B	2	024-31646-000	024-31646-000	024-31648-000	024-31646-000	024-31648-000	024-31646-000

ITEM	DESCRIPTION	QTY.	371-02302-269	371-02302-270	371-02302-271	371-02302-272	371-02302-273	371-02302-274
1A	Contactor	1	024-31638-000	024-31644-000	024-31643-000	024-26577-000	024-31645-000	024-31643-000
		1	024-31638-000	024-31644-000	024-31643-000	024-26577-000	024-31645-000	024-31643-000
1B	Contactor	1	--	--	--	--	--	--
		1	--	--	--	--	--	--
1C	Surge Suppressor	1	031-00808-000	031-00808-000	031-00808-000	031-00808-000	031-00808-000	031-00808-000
1E	Lugs, Contactor	4	025-34401-000	025-34401-000	025-34401-000	025-34401-000	025-34401-000	025-34401-000
2A	120V Harness	1	071-02600-000	071-02600-000	071-02600-000	071-02600-000	071-02600-000	071-02600-000
3 ^s	Motor Protector	1	024-30907-000	024-30907-000	024-30907-000	024-30907-000	024-30907-000	024-30907-000
4	Ground Lug	1	025-34455-000	025-34455-000	025-34455-000	025-34455-000	025-34455-000	025-34455-000
5	Ground Lug	1	025-34089-000	025-34089-000	025-34089-000	025-34089-000	025-34089-000	025-34089-000
6	Terminal Block	3	--	--	--	--	--	--
		3	--	--	--	--	--	--
7	Circuit Breaker	3	025-34419-000	025-34425-000	025-34424-000	025-34419-000	025-34425-000	025-34424-000
		3	025-34419-000	025-34425-000	025-34424-000	025-34419-000	025-34425-000	025-34424-000
8	NF Disconnect Switch	3	--	--	--	--	--	--
		3	--	--	--	--	--	--
10	Operator Mech.	2	025-34417-000	025-34413-000	025-34417-000	025-34417-000	025-34413-000	025-34417-000
11	Sw. C/B Aux.2A/2B	2	024-31646-000	024-31648-000	024-31646-000	024-31646-000	024-31648-000	024-31646-000

ITEM	DESCRIPTION	QTY.	371-02302-275	371-02302-276	371-02302-277	371-02302-278	371-02302-279	371-02302-280
1A	Contactor	1	024-31643-000	024-31638-000	024-31638-000	024-26577-000	024-31645-000	024-31645-000
		1	024-31643-000	024-31638-000	024-31638-000	024-31642-000	024-31645-000	024-31645-000
1B	Contactor	1	--	--	--	--	--	--
		1	--	--	--	--	--	--
1C	Surge Suppressor	1	031-00808-000	031-00808-000	031-00808-000	031-00808-000	031-00808-000	031-00808-000
1E	Lugs, Contactor	4	025-34401-000	025-34401-000	025-34401-000	025-34401-000	025-34401-000	025-34401-000
2A	120V Harness	1	071-02600-000	071-02600-000	071-02600-000	071-02600-000	071-02600-000	071-02600-000
3 ^s	Motor Protector	1	024-30907-000	024-30907-000	024-30907-000	024-30907-000	024-30907-000	024-30907-000
4	Ground Lug	1	025-34455-000	025-34455-000	025-34455-000	025-34455-000	025-34455-000	025-34455-000
5	Ground Lug	1	025-34089-000	025-34089-000	025-34089-000	025-34089-000	025-34089-000	025-34089-000
6	Terminal Block	3	--	--	--	--	--	--
		3	--	--	--	--	--	--
7	Circuit Breaker	3	025-34424-000	025-34424-000	025-34419-000	025-34419-000	025-34425-000	025-34473-000
		3	025-34424-000	025-34424-000	025-34424-000	025-34419-000	025-34473-000	025-34473-000
8	NF Disconnect Switch	3	--	--	--	--	--	--
		3	--	--	--	--	--	--
10	Operator Mech.	2	025-34417-000	025-34417-000	025-34417-000	025-34417-000	025-34413-000	025-34413-000
11	Sw. C/B Aux.2A/2B	2	024-31646-000	024-31646-000	024-31646-000	024-31646-000	024-31648-000	024-31648-000

POWER PANEL COMPONENTS - ACROSS-THE-LINE (CONT'D)

ITEM	DESCRIPTION	QTY.	371-02302-350	371-02302-351	371-02302-352	371-02302-353	371-02302-354	371-20302-355
1A	Contactor	1	024-31644-000	024-31643-000	024-31642-000	024-26577-000	024-31639-000	024-31644-000
		1	024-31644-000	024-31643-000	024-31642-000	024-26577-000	024-31639-000	024-31645-000
1B	Contactor	1	—	—	—	—	—	—
		1	—	—	—	—	—	—
1C	Surge Suppressor	1	031-00808-000	031-00808-000	031-00808-000	031-00808-000	031-00808-000	031-00808-000
1E	Lugs, Contactor	4	025-34401-000	025-34401-000	025-34401-000	025-34401-000	025-34401-000	025-34401-000
2A	120V Harness	1	071-02600-000	071-02600-000	071-02600-000	071-02600-000	071-02600-000	071-02600-000
3 ^s	Motor Protector	1	024-30907-000	024-30907-000	024-30907-000	024-30907-000	024-30907-000	024-30907-000
4	Ground Lug	1	025-34455-000	025-34455-000	025-34455-000	025-34455-000	025-34455-000	025-34455-000
5	Ground Lug	1	025-34089-000	025-34089-000	025-34089-000	025-34089-000	025-34089-000	025-34089-000
6	Terminal Block	3	—	—	—	—	—	—
		3	—	—	—	—	—	—
7	Circuit Breaker	3	—	—	—	—	—	—
		3	—	—	—	—	—	—
8	NF Disconnect Switch	3	024-25564-000	024-25564-000	024-25565-000	024-25575-000	024-25575-000	024-25564-000
		3	024-25564-000	024-25564-000	024-25565-000	024-25575-000	024-25575-000	024-25564-000
10	Operator Mech.	2	025-34417-000	025-34417-000	025-34417-000	025-34417-000	025-34417-000	025-34417-000
11	Sw. C/B Aux.2A/2B	2	024-31646-000	024-31646-000	024-31646-000	024-31646-000	024-31646-000	024-31646-000

ITEM	DESCRIPTION	QTY.	371-02302-356	371-02302-357	371-02302-358	371-02302-359	371-02302-360	371-02302-361
1A	Contactor	1	024-31642-000	024-26577-000	024-26577-000	024-31638-000	024-31638-000	024-31644-000
		1	024-31638-000	024-31642-000	024-26577-000	024-31638-000	024-31643-000	024-31644-000
1B	Contactor	1	—	—	—	—	—	—
		1	—	—	—	—	—	—
1C	Surge Suppressor	1	031-00808-000	031-00808-000	031-00808-000	031-00808-000	031-00808-000	031-00808-000
1E	Lugs, Contactor	4	025-34401-000	025-34401-000	025-34401-000	025-34401-000	025-34401-000	025-34401-000
2A	120V Harness	1	071-02600-000	071-02600-000	071-02600-000	071-02600-000	071-02600-000	071-02600-000
3 ^s	Motor Protector	1	024-30907-000	024-30907-000	024-30907-000	024-30907-000	024-30907-000	024-30907-000
4	Ground Lug	1	025-34455-000	025-34455-000	025-34455-000	025-34455-000	025-34455-000	025-34455-000
5	Ground Lug	1	025-34089-000	025-34089-000	025-34089-000	025-34089-000	025-34089-000	025-34089-000
6	Terminal Block	3	—	—	—	—	—	—
		3	—	—	—	—	—	—
7	Circuit Breaker	3	—	—	—	—	—	—
		3	—	—	—	—	—	—
8	NF Disconnect Switch	3	024-25565-000	024-25575-000	024-25575-000	024-25565-000	024-25565-000	024-25565-000
		3	024-25565-000	024-25565-000	024-25575-000	024-25565-000	024-25565-000	024-25564-000
10	Operator Mech.	2	025-34417-000	025-34417-000	025-34417-000	025-34417-000	025-34417-000	025-34417-000
11	Sw. C/B Aux.2A/2B	2	024-31646-000	024-31646-000	024-31646-000	024-31646-000	024-31646-000	024-31646-000

Power Panel

POWER PANEL COMPONENTS - ACROSS-THE-LINE (CONT'D)

ITEM	DESCRIPTION	QTY.	371-02302-362	371-02302-363	371-02302-364	371-02302-365	371-02302-366	371-02302-367
1A	Contactor	1	024-31644-000	024-31642-000	024-31644-000	024-31645-000	024-31638-000	024-31644-000
		1	024-31644-000	024-31642-000	024-31644-000	024-31645-000	024-31638-000	024-31644-000
1B	Contactor	1	--	--	--	--	--	--
		1	--	--	--	--	--	--
1C	Surge Suppressor	1	031-00808-000	031-00808-000	031-00808-000	031-00808-000	031-00808-000	031-00808-000
1E	Lugs, Contactor	4	025-34401-000	025-34401-000	025-34401-000	025-34401-000	025-34401-000	025-34401-000
2A	120V Harness	1	071-02600-000	071-02600-000	071-02600-000	071-02600-000	071-02600-000	071-02600-000
3 ^s	Motor Protector	1	024-30907-000	024-30907-000	024-30907-000	024-30907-000	024-30907-000	024-30907-000
4	Ground Lug	1	025-34455-000	025-34455-000	025-34455-000	025-34455-000	025-34455-000	025-34455-000
5	Ground Lug	1	025-34089-000	025-34089-000	025-34089-000	025-34089-000	025-34089-000	025-34089-000
6	Terminal Block	3	--	--	--	--	--	--
		3	--	--	--	--	--	--
7	Circuit Breaker	3	--	--	--	--	--	--
		3	--	--	--	--	--	--
8	NF Disconnect Switch	3	024-25564-000	024-25564-000	024-25564-000	024-25563-000	024-25565-000	024-25564-000
		3	024-25564-000	024-25565-000	024-25564-000	024-25563-000	024-25565-000	024-25564-000
10	Operator Mech.	2	025-34417-000	025-34417-000	025-34417-000	025-34413-000	025-34417-000	025-34417-000
11	Sw. C/B Aux.2A/2B	2	024-31646-000	024-31646-000	024-31646-000	024-31648-000	024-31646-000	024-31646-000

ITEM	DESCRIPTION	QTY.	371-02302-368	371-02302-369	371-02302-370	371-02302-371	371-02302-372	371-02302-373
1A	Contactor	1	024-31644-000	024-31643-000	024-26577-000	024-31645-000	024-31643-000	024-31643-000
		1	024-31644-000	024-31643-000	024-26577-000	024-31645-000	024-31643-000	024-31643-000
1B	Contactor	1	--	--	--	--	--	--
		1	--	--	--	--	--	--
1C	Surge Suppressor	1	031-00808-000	031-00808-000	031-00808-000	031-00808-000	031-00808-000	031-00808-000
1E	Lugs, Contactor	4	025-34401-000	025-34401-000	025-34401-000	025-34401-000	025-34401-000	025-34401-000
2A	120V Harness	1	071-02600-000	071-02600-000	071-02600-000	071-02600-000	071-02600-000	071-02600-000
3 ^s	Motor Protector	1	024-30907-000	024-30907-000	024-30907-000	024-30907-000	024-30907-000	024-30907-000
4	Ground Lug	1	025-34455-000	025-34455-000	025-34455-000	025-34455-000	025-34455-000	025-34455-000
5	Ground Lug	1	025-34089-000	025-34089-000	025-34089-000	025-34089-000	025-34089-000	025-34089-000
6	Terminal Block	3	--	--	--	--	--	--
		3	--	--	--	--	--	--
7	Circuit Breaker	3	--	--	--	--	--	--
		3	--	--	--	--	--	--
8	NF Disconnect Switch	3	024-25564-000	024-25565-000	024-25563-000	024-25563-000	024-25565-000	024-25564-000
		3	024-25564-000	024-25565-000	024-25564-000	024-25564-000	024-25564-000	024-25564-000
10	Operator Mech.	2	025-34417-000	025-34417-000	025-34417-000	025-34413-000	025-34417-000	025-34417-000
11	Sw. C/B Aux.2A/2B	2	024-31646-000	024-31646-000	024-31646-000	024-31648-000	024-31646-000	024-31646-000

POWER PANEL COMPONENTS - ACROSS-THE-LINE (CONT'D)

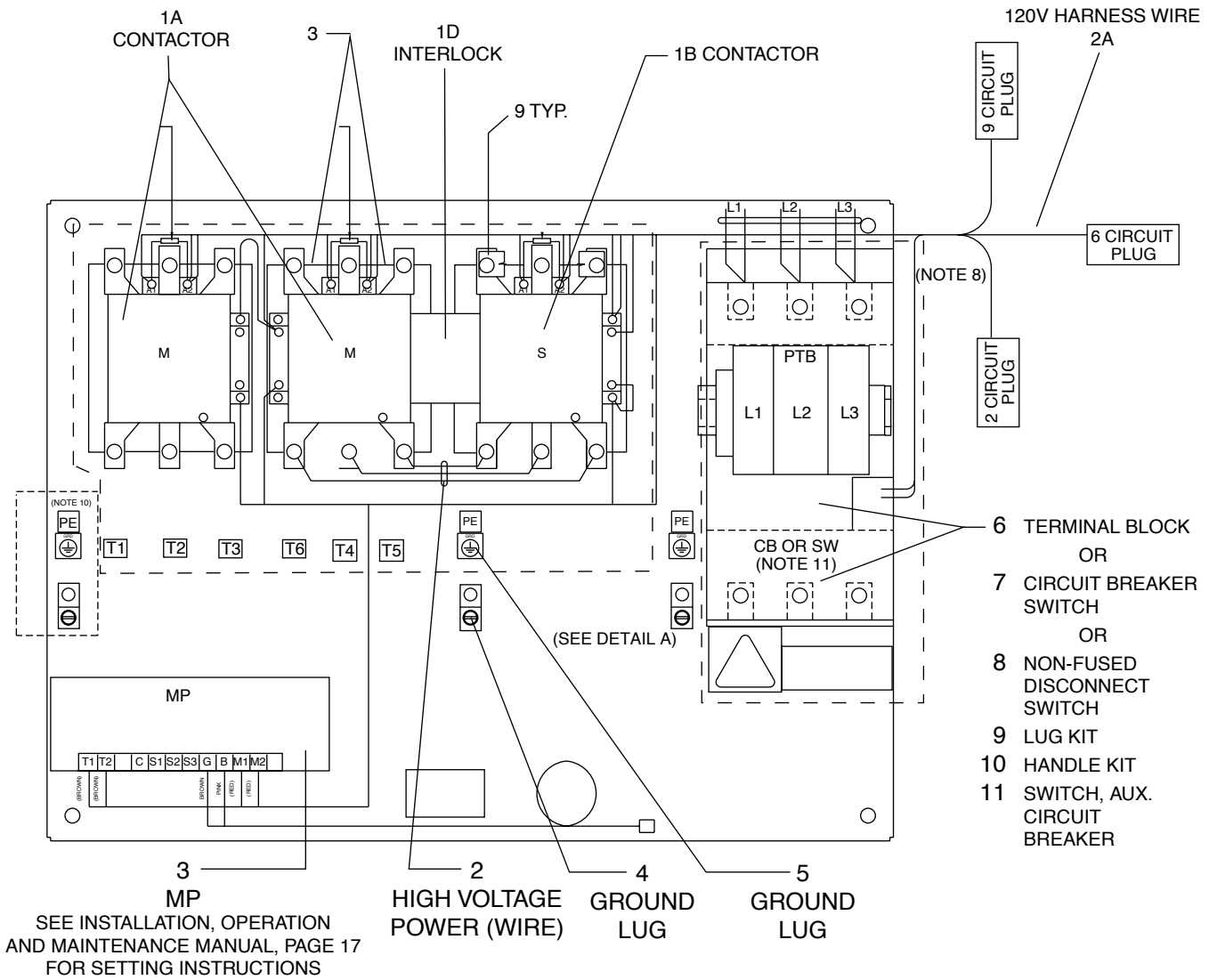
ITEM	DESCRIPTION	QTY.	371-02302-374	371-02302-375	371-02302-376	371-02302-377	371-02302-378	371-02302-379
1A	Contactor	1	024-31638-000	024-26577-000	024-31645-000	024-31645-000	024-26577-000	024-31645-000
		1	024-31638-000	024-26577-000	024-31645-000	024-31645-000	024-31642-000	024-31645-000
1B	Contactor	1	—	—	—	—	—	—
		1	—	—	—	—	—	—
1C	Surge Suppressor	1	031-00808-000	031-00808-000	031-00808-000	031-00808-000	031-00808-000	031-00808-000
1E	Lugs, Contactor	4	025-34401-000	025-34401-000	025-34401-000	025-34401-000	025-34401-000	025-34401-000
2A	120V Harness	1	071-02600-000	071-02600-000	071-02600-000	071-02600-000	071-02600-000	071-02600-000
3 ^s	Motor Protector	1	024-30907-000	024-30907-000	024-30907-000	024-30907-000	024-30907-000	024-30907-000
4	Ground Lug	1	025-34455-000	025-34455-000	025-34455-000	025-34455-000	025-34455-000	025-34455-000
5	Ground Lug	1	025-34089-000	025-34089-000	025-34089-000	025-34089-000	025-34089-000	025-34089-000
6	Terminal Block	3	—	—	—	—	—	—
		3	—	—	—	—	—	—
7	Circuit Breaker	3	—	—	—	—	—	—
		3	—	—	—	—	—	—
8	NF Disconnect Switch	3	024-25565-000	024-25575-000	024-25564-000	024-25563-000	024-25575-000	024-25563-000
		3	024-25565-000	024-25575-000	024-25564-000	024-25564-000	024-25565-000	024-25563-000
10	Operator Mech.	2	025-34417-000	025-34417-000	025-34417-000	025-34413-000	025-34417-000	025-34413-000
11	Sw. C/B Aux.2A/2B	2	024-31646-000	024-31646-000	024-31646-000	024-31648-000	024-31646-000	024-31648-000

ITEM	DESCRIPTION	QTY.	371-02302-380	371-02302-381	371-02302-382	371-02302-383	371-02302-384	371-02302-385
1A	Contactor	1	024-26577-000	024-31644-000	024-26577-000	024-31642-000	024-26577-000	024-26577-000
		1	024-26577-000	024-31645-000	024-26577-000	024-26577-000	024-26577-000	024-31642-000
1B	Contactor	1	—	—	—	—	—	—
		1	—	—	—	—	—	—
1C	Surge Suppressor	1	031-00808-000	031-00808-000	031-00808-000	031-00808-000	031-00808-000	031-00808-000
1E	Lugs, Contactor	4	025-34401-000	025-34401-000	025-34401-000	025-34401-000	025-34401-000	025-34401-000
2A	120V Harness	1	071-02600-000	071-02600-000	071-02600-000	071-02600-000	071-02600-000	071-02600-000
3 ^s	Motor Protector	1	024-30907-000	024-30907-000	024-30907-000	024-30907-000	024-30907-000	024-30907-000
4	Ground Lug	1	025-34455-000	025-34455-000	025-34455-000	025-34455-000	025-34455-000	025-34455-000
5	Ground Lug	1	025-34089-000	025-34089-000	025-34089-000	025-34089-000	025-34089-000	025-34089-000
6	Terminal Block	3	—	—	—	—	—	—
		3	—	—	—	—	—	—
7	Circuit Breaker	3	—	—	—	—	—	—
		3	—	—	—	—	—	—
8	NF Disconnect Switch	3	024-31870-000	024-25564-000	024-25575-000	024-25565-000	—	024-25565-000
		3	024-31870-000	024-25563-000	024-25575-000	024-31870-000	—	024-25565-000
10	Operator Mech.	2	025-34417-000	025-34417-000	025-34417-000	025-34417-000	025-34417-000	025-34417-000
11	Sw. C/B Aux.2A/2B	2	024-31646-000	024-31646-000	024-31646-000	024-31646-000	024-31646-000	024-31646-000

Power Panel

POWER PANEL COMPONENTS - ACROSS-THE-LINE (CONT'D)

POWER PANEL COMPONENTS - WYE-DELTA



LD05852

FIG. 22 – POWER PANEL COMPONENTS - WYE DELTA (REF. "POWER PANEL COMPONENTS - WYE DELTA" TABLE, PAGES 47 - 54)

POWER PANEL IDENTIFIERS - WYE DELTA

TABLE 15 – POWER PANEL IDENTIFIERS (SELECT PANEL NUMBER BELOW, THEN REFER TO “POWER PANEL COMPONENTS - WYE DELTA” TABLE ON PAGES 48 - 54, AND FIG. 22, PAGE 46)

Model	Terminal Block	w/Separate Breakers System Circuit Switches	w/Separate System NF Disconnect
	Panel Number	Panel Number	Panel Number
YCAS0130E-17XF	371-02302-101	371-02302-223	371-02302-300
YCAS0130E-28XF	371-02302-123	371-02302-201	371-02302-323
YCAS0130E-40XF	371-02302-102	371-02302-202	371-02302-302
YCAS0130E-46XF	371-02302-103	371-02302-203	371-02302-303
YCAS0130E-58XF	371-02302-104	371-02302-204	371-02302-304
YCAS0140E-17XF	371-02302-105	371-02302-205	371-02302-305
YCAS0140E-28XF	371-02302-100	371-02302-200	371-02302-300
YCAS0140E-40XF	371-02302-106	371-02302-206	371-02302-306
YCAS0140E-46XF	371-02302-126	371-02302-203	371-02302-303
YCAS0140E-58XF	371-02302-107	371-02302-207	371-02302-307
YCAS0150E-17XF	371-02302-108	371-02302-208	371-02302-308
YCAS0150E-28XF	371-02302-127	371-02302-227	371-02302-329
YCAS0150E-40XF	371-02302-109	371-02302-209	371-02302-309
YCAS0150E-46XF	371-02302-102	371-02302-202	371-02302-325
YCAS0150E-58XF	371-02302-107	371-02302-224	371-02302-307
YCAS0160E-17XF	371-02302-110	371-02302-210	371-02302-310
YCAS0160E-28XF	371-02302-105	371-02302-205	371-02302-305
YCAS0160E-40XF	371-02302-101	371-02302-201	371-02302-301
YCAS0160E-46XF	371-02302-102	371-02302-202	371-02302-302
YCAS0160E-58XF	371-02302-107	371-02302-228	371-02302-307
YCAS0170E-17XF	371-02302-128	371-02302-210	371-02302-327
YCAS0170E-28XF	371-02302-125	371-02302-205	371-02302-305
YCAS0170E-40XF	371-02302-101	371-02302-201	371-02302-301
YCAS0170E-46XF	371-02302-111	371-02302-211	371-02302-311
YCAS0170E-58XF	371-02302-103	371-02302-203	371-02302-303
YCAS0180E-17XF	371-02302-110	371-02302-210	371-02302-328
YCAS0180E-28XF	371-02302-129	371-02302-205	371-02302-305
YCAS0180E-40XF	371-02302-101	371-02302-201	371-02302-301
YCAS0180E-46XF	371-02302-106	371-02302-206	371-02302-306
YCAS0180E-58XF	371-02302-103	371-02302-203	371-02302-303
YCAS0200E-17XF	371-02302-110	371-02302-210	371-02302-328
YCAS0200E-28XF	371-02302-110	371-02302-210	371-02302-310
YCAS0200E-40XF	371-02302-101	371-02302-201	371-02302-301
YCAS0200E-46XF	371-02302-101	371-02302-225	371-02302-301
YCAS0200E-58XF	371-02302-102	371-02302-202	371-02302-326
YCAS0210E-17XF	371-02302-110	371-02302-210	371-02302-328
YCAS0210E-28XF	371-02302-110	371-02302-210	371-02302-330
YCAS0210E-40XF	371-02302-101	371-02302-201	371-02302-324
YCAS0210E-46XF	371-02302-101	371-02302-226	371-02302-301
YCAS0210E-58XF	371-02302-102	371-02302-202	371-02302-325
YCAS0230E-17XF	371-02302-110	371-02302-210	371-02302-328
YCAS0230E-28XF	371-02302-110	371-02302-210	371-02302-328
YCAS0230E-40XF	371-02302-101	371-02302-201	371-02302-323
YCAS0230E-46XF	371-02302-101	371-02302-201	371-02302-301
YCAS0230E-58XF	371-02302-102	371-02302-202	371-02302-302

ITEM	DESCRIPTION	QTY.	371-02302-101	371-02302-102	371-02302-103	371-02302-104	371-02302-105	371-02302-106
1A	Contactor	3	024-26577-000	024-31603-000	024-31603-000	024-31602-000	024-31638-000	024-31639-000
		3	024-26577-000	024-31603-000	024-31603-000	024-31602-000	024-31638-000	024-31639-000
1B	Contactor	3	024-26577-000	024-31602-000	024-31636-000	024-31636-000	024-26577-000	024-31602-000
		3	024-26577-000	024-31602-000	024-31636-000	024-31636-000	024-26577-000	024-31602-000
1C	Surge Suppressor	1	031-00808-000	031-00808-000	031-00808-000	031-00808-000	031-00808-000	031-00808-000
1D	Mech Interlock	3	024-31600-000	024-31601-000	024-31601-000	024-31601-000	024-31637-000	024-31601-000
			024-31600-000	024-31601-000	024-31601-000	024-31601-000	024-31637-000	024-31601-000
1E	Lugs, Contactor	4	025-34401-000	025-34401-000	025-34401-000	025-34401-000	025-34401-000	025-34401-000
2A	120V Harness	1	071-02600-000	071-02600-000	071-02600-000	071-02600-000	071-02600-000	071-02600-000
2B	High Voltage Power Wire	1	Obtain Locally	Obtain Locally	Obtain Locally	Obtain Locally	Obtain Locally	Obtain Locally
3 ^s	Motor Protector	1	024-30907-000	024-30907-000	024-30907-000	024-30907-000	024-30907-000	024-30907-000
4	Ground Lug	1	025-34455-000	025-34455-000	025-34455-000	025-34455-000	025-34455-000	025-34455-000
5	Ground Lug	1	025-34089-000	025-34089-000	025-34089-000	025-34089-000	025-34089-000	025-34089-000
6	Terminal Block	3	025-34405-000	025-34408-000	025-34454-000	025-34454-000	025-34408-000	025-34408-000
		3	025-34405-000	025-34408-000	025-34454-000	025-34454-000	025-34408-000	025-34408-000
7	Circuit Breaker		—	—	—	—	—	—
			—	—	—	—	—	—
8	NF Disc Switch	1	—	—	—	—	—	—
		1	—	—	—	—	—	—
10	Operator Mech.	2	025-34417-000	025-34417-000	025-34417-000	025-34417-000	025-34413-000	025-34417-000
11	Sw. C/B Aux.2A/2B	2	—	—	—	—	—	—

ITEM	DESCRIPTION	QTY.	371-02302-107	371-02302-108	371-02302-109	371-02302-110	371-02302-111	371-02302-112
1A	Contactor	3	024-31640-000	024-31638-000	024-31639-000	024-31643-000	024-31603-000	024-31644-000
		3	024-31640-000	024-31643-000	024-26577-000	024-31643-000	024-31639-000	024-31644-000
1B	Contactor	3	024-31636-000	024-26577-000	024-26577-000	024-31642-000	024-31602-000	—
		3	024-31636-000	024-31642-000	024-26577-000	024-31642-000	024-31602-000	—
1C	Surge Suppressor	1	031-00808-000	031-00808-000	031-00808-000	031-00808-000	031-00808-000	031-00808-000
1D	Mech Interlock	3	024-31601-000	024-31637-000	024-31601-000	024-31641-000	024-31601-000	—
			024-31601-000	024-31641-000	024-31600-000	024-31641-000	024-31601-000	—
1E	Lugs, Contactor	4	025-34401-000	025-34401-000	025-34401-000	025-34401-000	025-34401-000	025-34401-000
2A	120V Harness	1	071-02600-000	071-02600-000	071-02600-000	071-02600-000	071-02600-000	071-02600-000
2B	High Voltage Power Wire	1	Obtain Locally	Obtain Locally	Obtain Locally	Obtain Locally	Obtain Locally	Obtain Locally
3 ^s	Motor Protector	1	024-30907-000	024-30907-000	024-30907-000	024-30907-000	024-30907-000	024-30907-000
4	Ground Lug	1	025-34455-000	025-34455-000	025-34455-000	025-34455-000	025-34455-000	025-34455-000
5	Ground Lug	1	025-34089-000	025-34089-000	025-34089-000	025-34089-000	025-34089-000	025-34089-000
6	Terminal Block	3	025-34454-000	025-34408-000	025-34408-000	025-34405-000	025-34408-000	025-34408-000
		3	025-34454-000	025-34405-000	025-34405-000	025-34405-000	025-34408-000	025-34408-000
7	Circuit Breaker		—	—	—	—	—	—
			—	—	—	—	—	—
8	NF Disc Switch	1	—	—	—	—	—	—
		1	—	—	—	—	—	—
10	Operator Mech.	2	025-34417-000	025-34413-000	025-34417-000	025-34413-000	025-34417-000	—
11	Sw. C/B Aux.2A/2B	2	—	—	—	—	—	—

POWER PANEL COMPONENTS - WYE-DELTA

ITEM	DESCRIPTION	QTY.	371-02302-114	371-02302-115	371-02302-119	371-02302-120	371-02302-121	371-02302-122
1A	Contactor	3	024-31642-000	024-26577-000	024-26577-000	024-31645-000	024-31638-000	024-31638-000
		3	024-31642-000	024-26577-000	024-31642-000	024-31645-000	024-31638-000	024-31643-000
1B	Contactor	3	—	—	—	—	—	—
		3	—	—	—	—	—	—
1C	Surge Suppressor	1	031-00808-000	031-00808-000	031-00808-000	031-00808-000	031-00808-000	031-00808-000
1D	Mech Interlock	3	—	—	—	—	—	—
			—	—	—	—	—	—
1E	Lugs, Contactor	4	025-34401-000	025-34401-000	025-34401-000	025-34401-000	025-34401-000	025-34401-000
2A	120V Harness	1	071-02600-000	071-02600-000	071-02600-000	071-02600-000	071-02600-000	071-02600-000
2B	High Voltage Power Wire	1	Obtain Locally	Obtain Locally	Obtain Locally	Obtain Locally	Obtain Locally	Obtain Locally
3 ^s	Motor Protector	1	024-30907-000	024-30907-000	024-30907-000	024-30907-000	024-30907-000	024-30907-000
4	Ground Lug	1	025-34455-000	025-34455-000	025-34455-000	025-34455-000	025-34455-000	025-34455-000
5	Ground Lug	1	025-34089-000	025-34089-000	025-34089-000	025-34089-000	025-34089-000	025-34089-000
6	Terminal Block	3	025-34408-000	025-34408-000	025-34408-000	025-34405-000	025-34405-000	025-34405-000
		3	025-34408-000	025-34408-000	025-34408-000	025-34405-000	025-34405-000	025-34405-000
7	Circuit Breaker		—	—	—	—	—	—
			—	—	—	—	—	—
8	NF Disc Switch	1	—	—	—	—	—	—
		1	—	—	—	—	—	—
10	Operator Mech.	2	—	—	—	—	—	—
11	Sw. C/B Aux.2A/2B	2	—	—	—	—	—	—

ITEM	DESCRIPTION	QTY.	371-02302-123	371-02302-125	371-02302-126	371-02302-127	371-02302-128	371-02302-129
1A	Contactor	3	024-26577-000	024-31638-000	024-31603-000	024-31642-000	024-31643-000	024-31638-000
		3	024-26577-000	024-31638-000	024-31603-000	024-31638-000	024-31643-000	024-31638-000
1B	Contactor	3	024-26577-000	024-26577-000	024-31636-000	024-26577-000	024-31642-000	024-26577-000
		3	024-26577-000	024-26577-000	024-31636-000	024-26577-000	024-31642-000	024-26577-000
1C	Surge Suppressor	1	031-00808-000	031-00808-000	031-00808-000	031-00808-000	031-00808-000	031-00808-000
1D	Mech Interlock	3	024-31600-000	024-31637-000	024-31601-000	024-31637-000	024-31641-000	024-31637-000
			024-31600-000	024-31637-000	024-31601-000	024-31637-000	024-31641-000	024-31637-000
1E	Lugs, Contactor	4	025-34401-000	025-34401-000	025-34401-000	025-34401-000	025-34401-000	025-34401-000
2A	120V Harness	1	071-02600-000	071-02600-000	071-02600-000	071-02600-000	071-02600-000	071-02600-000
2B	High Voltage Power Wire	1	Obtain Locally	Obtain Locally	Obtain Locally	Obtain Locally	Obtain Locally	Obtain Locally
3 ^s	Motor Protector	1	024-30907-000	024-30907-000	024-30907-000	024-30907-000	024-30907-000	024-30907-000
4	Ground Lug	1	025-34455-000	025-34455-000	025-34455-000	025-34455-000	025-34455-000	025-34455-000
5	Ground Lug	1	025-34089-000	025-34089-000	025-34089-000	025-34089-000	025-34089-000	025-34089-000
6	Terminal Block	3	025-34408-000	025-34408-000	025-34454-000	025-34408-000	025-34405-000	025-34405-000
		3	025-34408-000	025-34454-000	025-34454-000	025-34408-000	025-34405-000	025-34405-000
7	Circuit Breaker		—	—	—	—	—	—
			—	—	—	—	—	—
8	NF Disc Switch	1	—	—	TB-ASY- UKH95	TB-ASY-YK2UKH150	—	—
		1	—	—	025-34403-000	025-34403-000	—	—
10	Operator Mech.	2	—	025-34417-000.	025-34417-000	025-34413-000	025-34417-000	—
11	Sw. C/B Aux.2A/2B	2	—	—	—	—	—	—

Power Panel

POWER PANEL COMPONENTS - WYE-DELTA (CONT'D)

Power Panel

50

ITEM	DESCRIPTION	QTY.	371-02302-200	371-02302-201	371-02302-202	371-02302-203	371-02302-204	371-02302-205
1A	Contactor	3	024-31642-000	024-26577-000	024-31603-000	024-31603-000	024-31602-000	024-31638-000
		3	024-31642-000	024-26577-000	024-31603-000	024-31603-000	024-31602-000	024-31638-000
1B	Contactor	3	024-26577-000	—	024-31602-000	024-31636-000	024-31636-000	024-26577-000
		3	024-26577-000	—	024-31602-000	024-31636-000	024-31636-000	024-26577-000
1C	Surge Suppressor	1	031-00808-000	031-00808-000	031-00808-000	031-00808-000	031-00808-000	031-00808-000
1D	Mech Interlock	3	024-31637-000	024-31600-000	024-31601-000	024-31601-000	024-31601-000	024-31637-000
			024-31637-000	024-31600-000	024-31601-000	024-31601-000	024-31601-000	024-31637-000
1E	Lugs, Contactor	4	025-34401-000	025-34401-000	025-34401-000	025-34401-000	025-34401-000	025-34401-000
2A	120V Harness	1	071-02600-000	071-02600-000	071-02600-000	071-02600-000	071-02600-000	071-02600-000
2B	High Voltage Power Wire	1	Obtain Locally	Obtain Locally	Obtain Locally	Obtain Locally	Obtain Locally	Obtain Locally
3 ^s	Motor Protector	1	024-30907-000	024-30907-000	024-30907-000	024-30907-000	024-30907-000	024-30907-000
4	Ground Lug	1	025-34455-000	025-34455-000	025-34455-000	025-34455-000	025-34455-000	025-34455-000
5	Ground Lug	1	025-34089-000	025-34089-000	025-34089-000	025-34089-000	025-34089-000	025-34089-000
6	Terminal Block	3	—	—	—	—	—	—
		3	—	—	—	—	—	—
7	Circuit Breaker		025-34424-000	025-34424-000	025-34419-000	025-34419-000	024-31649-000	025-34425-000
			025-34424-000	025-34424-000	025-34419-000	025-34419-000	024-31649-000	025-34425-000
8	NF Disc Switch	1	025-34424-000	025-34424-000	—	—	—	—
		1	—	—	—	—	—	—
10	Operator Mech.	2	025-34417-000	025-34417-000	025-34417-000	025-34417-000	025-34417-000	025-34413-000
11	Sw. C/B Aux.2A/2B	2	024-31646-000	024-31646-000	024-31646-000	024-31646-000	024-31646-000	024-31648-000

POWER PANEL COMPONENTS - WYE-DELTA (CONT'D)

ITEM	DESCRIPTION	QTY.	371-02302-206	371-02302-207	371-02302-208	371-02302-210	371-02302-211	371-02302-212
1A	Contactor	3	024-31639-000	024-31640-000	024-31638-000	024-31643-000	024-31603-000	024-31644-000
		3	024-31639-000	024-31640-000	024-31643-000	024-31643-000	024-31639-000	024-31644-000
1B	Contactor	3	024-31602-000	024-31636-000	024-26577-000	024-31642-000	024-31602-000	—
		3	024-31602-000	024-31636-000	024-31642-000	024-31642-000	024-31602-000	—
1C	Surge Suppressor	1	031-00808-000	031-00808-000	031-00808-000	031-00808-000	031-00808-000	031-00808-000
1D	Mech Interlock	3	024-31601-000	024-31601-000	024-31637-000	024-31641-000	024-31601-000	—
			024-31601-000	024-31601-000	024-31641-000	024-31641-000	024-31601-000	—
1E	Lugs, Contactor	4	025-34401-000	025-34401-000	025-34401-000	025-34401-000	025-34401-000	025-34401-000
2A	120V Harness	1	071-02600-000	071-02600-000	071-02600-000	071-02600-000	071-02600-000	071-02600-000
2B	High Voltage Power Wire	1	Obtain Locally	Obtain Locally	Obtain Locally	Obtain Locally	Obtain Locally	Obtain Locally
3 ^s	Motor Protector	1	024-30907-000	024-30907-000	024-30907-000	024-30907-000	024-30907-000	024-30907-000
4	Ground Lug	1	025-34455-000	025-34455-000	025-34455-000	025-34455-000	025-34455-000	025-34455-000
5	Ground Lug	1	025-34089-000	025-34089-000	025-34089-000	025-34089-000	025-34089-000	025-34089-000
6	Terminal Block	3	—	—	—	—	—	—
		3	—	—	—	—	—	—
7	Circuit Breaker		025-34419-000	024-31649-000	025-34425-000	025-34425-000	025-34419-000	025-34425-000
			025-34419-000	024-31649-000	025-34425-000	025-34425-000	025-34419-000	025-34425-000
8	NF Disc Switch	1	—	—	—	—	—	—
		1	—	—	—	—	—	—
10	Operator Mech.	2	025-34417-000	025-34417-000	025-34413-000	025-34413-000	025-34417-000	025-34413-000
11	Sw. C/B Aux.2A/2B	2	024-31646-000	024-31646-000	024-31648-000	024-31648-000	024-31646-000	024-31648-000

YORK INTERNATIONAL

ITEM	DESCRIPTION	QTY.	371-02303-213	371-02302-214	371-02302-219	371-02302-220	371-02302-222	371-02302-223
1A	Contactor	3	024-31643-000	024-31642-000	024-26577-000	024-31645-000	024-31638-000	024-31642-000
		3	024-31643-000	024-31642-000	024-31642-000	024-31645-000	024-31643-000	024-31642-000
1B	Contactor	3	--	--	--	--	--	024-26577-000
		3	--	--	--	--	--	024-26577-000
1C	Surge Suppressor	1	031-00808-000	031-00808-000	031-00808-000	031-00808-000	031-00808-000	031-00808-000
1D	Mech Interlock	3	--	--	--	--	--	024-31637-000
			--	--	--	--	--	024-31637-000
1E	Lugs, Contactor	4	025-34401-000	025-34401-000	025-34401-000	025-34401-000	025-34401-000	025-34401-000
2A	120V Harness	1	071-02600-000	071-02600-000	071-02600-000	071-02600-000	071-02600-000	071-02600-000
2B	High Voltage Power Wire	1	Obtain Locally	Obtain Locally	Obtain Locally	Obtain Locally	Obtain Locally	Obtain Locally
3 ^s	Motor Protector	1	024-30907-000	024-30907-000	024-30907-000	024-30907-000	024-30907-000	024-30907-000
4	Ground Lug	1	025-34455-000	025-34455-000	025-34455-000	025-34455-000	025-34455-000	025-34455-000
5	Ground Lug	1	025-34089-000	025-34089-000	025-34089-000	025-34089-000	025-34089-000	025-34089-000
6	Terminal Block	3	--	--	--	--	--	--
		3	--	--	--	--	--	--
7	Circuit Breaker		025-34424-000	025-34419-000	025-34419-000	025-34425-000	025-34424-000	025-34424-000
			025-34424-000	025-34419-000	025-34419-000	025-34425-000	025-34424-000	025-34424-000
8	NF Disc Switch	1	--	--	--	--	--	--
		1	--	--	--	--	--	--
10	Operator Mech.	2	025-34417-000	025-34417-000	025-34417-000	025-34417-000	025-34417-000	025-34417-000
11	Sw. C/B Aux.2A/2B	2	024-31646-000	024-31646-000	024-31646-000	024-31648-000	024-31646-000	024-31646-000

ITEM	DESCRIPTION	QTY.	371-02302-224	371-02302-225	371-02302-226	371-02302-227	371-02302-228	371-02302-229
1A	Contactor	3	024-31640-000	024-26577-000	024-26577-000	024-31642-000	024-31640-000	024-31643-000
		3	024-31640-000	024-26577-000	024-26577-000	024-31638-000	024-31640-000	024-31643-000
1B	Contactor	3	024-31636-000	--	--	024-26577-000	024-31636-000	024-31642-000
		3	024-31636-000	--	--	024-26577-000	024-31636-000	024-31642-000
1C	Surge Suppressor	1	031-00808-000	031-00808-000	031-00808-000	031-00808-000	031-00808-000	031-00808-000
1D	Mech Interlock	3	024-31601-000	024-31600-000	024-31600-000	024-31637-000	024-31601-000	024-31641-000
			024-31601-000	024-31600-000	024-31600-000	024-31637-000	024-31601-000	024-31641-000
1E	Lugs, Contactor	4	025-34401-000	025-34401-000	025-34401-000	025-34401-000	025-34401-000	025-34401-000
2A	120V Harness	1	071-02600-000	071-02600-000	071-02600-000	071-02600-000	071-02600-000	071-02600-000
2B	High Voltage Power Wire	1	Obtain Locally	Obtain Locally	Obtain Locally	Obtain Locally	Obtain Locally	Obtain Locally
3 ^s	Motor Protector	1	024-30907-000	024-30907-000	024-30907-000	024-30907-000	024-30907-000	024-30907-000
4	Ground Lug	1	025-34455-000	025-34455-000	025-34455-000	025-34455-000	025-34455-000	025-34455-000
5	Ground Lug	1	025-34089-000	025-34089-000	025-34089-000	025-34089-000	025-34089-000	025-34089-000
6	Terminal Block	3	--	--	--	--	--	--
		3	--	--	--	--	--	--
7	Circuit Breaker		025-34419-000	025-34419-000	025-34419-000	025-34424-000	025-34419-000	025-34425-000
			024-31649-000	025-34419-000	025-34424-000	025-34425-000	025-34419-000	025-34425-000
8	NF Disc Switch	1	--	--	--	--	--	--
		1	--	--	--	--	--	--
10	Operator Mech.	2	025-34417-000	025-34417-000	025-34417-000	025-34417-000	025-34417-000	025-34413-000
11	Sw. C/B Aux.2A/2B	2	024-31646-000	024-31646-000	024-31646-000	024-31646-000	024-31646-000	024-31648-000

Power Panel

POWER PANEL COMPONENTS - WYE-DELTA (CONT'D)

ITEM	DESCRIPTION	QTY.	371-02302-230	371-02302-231	371-02302-232	371-02302-300	371-02302-301	371-02302-302
1A	Contactor	3	024-31642-000	024-31643-000	024-31643-000	024-31642-000	024-26577-000	024-31603-000
		3	024-31642-000	024-31643-000	024-31643-000	024-31642-000	024-26577-000	024-31603-000
1B	Contactor	3	024-26577-000	024-31642-000	024-31642-000	024-26577-000	—	024-31602-000
		3	024-26577-000	024-31642-000	024-31642-000	024-26577-000	—	024-31602-000
1C	Surge Suppressor	1	031-00808-000	031-00808-000	031-00808-000	031-00808-000	031-00808-000	031-00808-000
1D	Mech Interlock	3	024-31637-000	024-31641-000	024-31641-000	024-31637-000	024-31600-000	024-31601-000
			024-31637-000	024-31641-000	024-31641-000	024-31637-000	024-31600-000	024-31601-000
1E	Lugs, Contactor	4	025-34401-000	025-34401-000	025-34401-000	025-34401-000	025-34401-000	025-34401-000
2A	120V Harness	1	071-02600-000	071-02600-000	071-02600-000	071-02600-000	071-02600-000	071-02600-000
2B	High Voltage Power Wire	1	Obtain Locally	Obtain Locally	Obtain Locally	Obtain Locally	Obtain Locally	Obtain Locally
3 ^s	Motor Protector	1	024-30907-000	024-30907-000	024-30907-000	024-30907-000	024-30907-000	024-30907-000
4	Ground Lug	1	025-34455-000	025-34455-000	025-34455-000	025-34455-000	025-34455-000	025-34455-000
5	Ground Lug	1	025-34089-000	025-34089-000	025-34089-000	025-34089-000	025-34089-000	025-34089-000
6	Terminal Block	3	—	—	—	—	—	—
		3	—	—	—	—	—	—
7	Circuit Breaker		025-34425-000	025-34425-000	025-34473-000	—	—	—
			025-34425-000	025-34473-000	025-34473-000	—	—	—
8	NF Disc Switch	1	—	—	—	024-25564-000	024-25575-000	024-25575-000
		1	—	—	—	024-25564-000	024-25575-000	024-25575-000
10	Operator Mech.	2	025-34413-000	025-34413-000	025-34413-000	025-34417-000	025-34417-000	025-34417-000
11	Sw. C/B Aux.2A/2B	2	024-31648-000	024-31648-000	024-31648-000	024-31646-000	024-31646-000	024-31646-000

POWER PANEL COMPONENTS - WYE-DELTA (CONT'D)

ITEM	DESCRIPTION	QTY.	371-02302-303	371-02302-304	371-02302-305	371-02302-306	371-02302-307	371-02302-308
1A	Contactor	3	024-31603-000	024-31602-000	024-31638-000	024-31639-000	024-31640-000	024-31638-000
		3	024-31603-000	024-31602-000	024-31638-000	024-31639-000	024-31640-000	024-31643-000
1B	Contactor	3	024-31636-000	024-31636-000	024-26577-000	024-31602-000	024-31636-000	024-26577-000
		3	024-31636-000	024-31636-000	024-26577-000	024-31602-000	024-31636-000	024-31642-000
1C	Surge Suppressor	1	031-00808-000	031-00808-000	031-00808-000	031-00808-000	031-00808-000	031-00808-000
1D	Mech Interlock	3	024-31601-000	024-31601-000	024-31637-000	024-31601-000	024-31601-000	024-31637-000
			024-31601-000	024-31601-000	024-31637-000	024-31601-000	024-31601-000	024-31641-000
1E	Lugs, Contactor	4	025-34401-000	025-34401-000	025-34401-000	025-34401-000	025-34401-000	025-34401-000
2A	120V Harness	1	071-02600-000	071-02600-000	071-02600-000	071-02600-000	071-02600-000	071-02600-000
2B	High Voltage Power Wire	1	Obtain Locally	Obtain Locally	Obtain Locally	Obtain Locally	Obtain Locally	Obtain Locally
3 ^s	Motor Protector	1	024-30907-000	024-30907-000	024-30907-000	024-30907-000	024-30907-000	024-30907-000
4	Ground Lug	1	025-34455-000	025-34455-000	025-34455-000	025-34455-000	025-34455-000	025-34455-000
5	Ground Lug	1	025-34089-000	025-34089-000	025-34089-000	025-34089-000	025-34089-000	025-34089-000
6	Terminal Block	3	—	—	—	—	—	—
		3	—	—	—	—	—	—
7	Circuit Breaker		—	—	—	—	—	—
			—	—	—	—	—	—
8	NF Disc Switch	1	024-25575-000	024-25575-000	024-25564-000	024-25575-000	024-25575-000	024-25564-000
		1	024-25575-000	024-25575-000	024-25564-000	024-25575-000	024-25575-000	024-25564-000
10	Operator Mech.	2	025-34417-000	025-34417-000	025-34417-000	025-34417-000	025-34417-000	025-34417-000
11	Sw. C/B Aux.2A/2B	2	024-31646-000	024-31646-000	024-31646-000	024-31646-000	024-31646-000	024-31646-000

ITEM	DESCRIPTION	QTY.	371-02302-309	371-02302-310	371-02302-311	371-02302-323	371-02302-324	371-02302-325
1A	Contactor	3	024-31639-000	024-31643-000	024-31603-000	024-26577-000	024-26577-000	024-31603-000
		3	024-26577-000	024-31643-000	024-31639-000	024-26577-000	024-26577-000	024-31603-000
1B	Contactor	3	024-31602-000	024-31642-000	024-31602-000	024-26577-000	024-26577-000	024-31636-000
		3	024-31642-000	024-31642-000	024-31602-000	024-26577-000	024-26577-000	024-31602-000
1C	Surge Suppressor	1	031-00808-000	031-00808-000	031-00808-000	031-00808-000	031-00808-000	031-00808-000
1D	Mech Interlock	3	024-31601-000	024-31641-000	024-31601-000	024-31600-000	024-31600-000	024-31601-000
			024-31600-000	024-31641-000	024-31601-000	024-31600-000	024-31600-000	024-31601-000
1E	Lugs, Contactor	4	025-34401-000	025-34401-000	025-34401-000	025-34401-000	025-34401-000	025-34401-000
2A	120V Harness	1	071-02600-000	071-02600-000	071-02600-000	071-02600-000	071-02600-000	071-02600-000
2B	High Voltage Power Wire	1	Obtain Locally	Obtain Locally	Obtain Locally	Obtain Locally	Obtain Locally	Obtain Locally
3 ^s	Motor Protector	1	024-30907-000	024-30907-000	024-30907-000	024-30907-000	024-30907-000	024-30907-000
4	Ground Lug	1	025-34455-000	025-34455-000	025-34455-000	025-34455-000	025-34455-000	025-34455-000
5	Ground Lug	1	025-34089-000	025-34089-000	025-34089-000	025-34089-000	025-34089-000	025-34089-000
6	Terminal Block	3	—	—	—	—	—	—
		3	—	—	—	—	—	—
7	Circuit Breaker		—	—	—	—	—	—
			—	—	—	—	—	—
8	NF Disc Switch	1	—	024-25564-000	—	024-25564-000	024-25564-000	—
		1	—	024-25564-000	—	024-25564-000	024-25575-000	—
10	Operator Mech.	2	025-34417-000	025-34417-000	025-34417-000	025-34417-000	025-34417-000	025-34417-000
11	Sw. C/B Aux.2A/2B	2	—	024-31646-000	024-31646-000	—	—	024-31646-000

ITEM	DESCRIPTION	QTY.	371-02302-326	371-02302-327	371-02302-328	371-02302-329	371-02302-330	371-02302-331
1A	Contactor	3	024-31603-000	024-31643-000	024-31643-000	024-31642-000	024-31643-000	024-31603-000
		3	024-31603-000	024-31643-000	024-31643-000	024-31638-000	024-31643-000	024-31603-000
1B	Contactor	3	024-31602-000	024-31642-000	024-31642-000	024-26577-000	024-31642-000	024-31636-000
		3	024-31602-000	024-31642-000	024-31642-000	024-26577-000	024-31642-000	024-31636-000
1C	Surge Suppressor	1	031-00808-000	031-00808-000	031-00808-000	031-00808-000	031-00808-000	031-00808-000
1D	Mech Interlock	3	024-31601-000	024-31641-000	024-31641-000	024-31637-000	024-31641-000	024-31637-000
			024-31601-000	024-31641-000	024-31641-000	024-31637-000	024-31641-000	024-31641-000
1E	Lugs, Contactor	4	025-34401-000	025-34401-000	025-34401-000	025-34401-000	025-34401-000	025-34401-000
2A	120V Harness	1	071-02600-000	071-02600-000	071-02600-000	071-02600-000	071-02600-000	071-02600-000
2B	High Voltage Power Wire	1	Obtain Locally	Obtain Locally	Obtain Locally	Obtain Locally	Obtain Locally	Obtain Locally
3 ^s	Motor Protector	1	024-30907-000	024-30907-000	024-30907-000	024-30907-000	024-30907-000	024-30907-000
4	Ground Lug	1	025-34455-000	025-34455-000	025-34455-000	025-34455-000	025-34455-000	025-34455-000
5	Ground Lug	1	025-34089-000	025-34089-000	025-34089-000	025-34089-000	025-34089-000	025-34089-000
6	Terminal Block	3	—	—	—	—	—	—
		3	—	—	—	—	—	—
7	Circuit Breaker		—	—	—	—	—	—
			—	—	—	—	—	—
8	NF Disc Switch	1	—	024-25564-000	024-25563-000	024-25564-000	024-25564-000	024-31870-000
		1	—	024-25563-000	024-25563-000	024-25564-000	024-25563-000	024-31870-000
10	Operator Mech.	2	025-34417-000	025-34417-000	025-34413-000	025-34417-000	025-34417-000	025-34417-000
11	Sw. C/B Aux.2A/2B	2	024-31646-000	024-31646-000	024-31648-000	024-31646-000	024-31646-000	024-31646-000

Power Panel

54

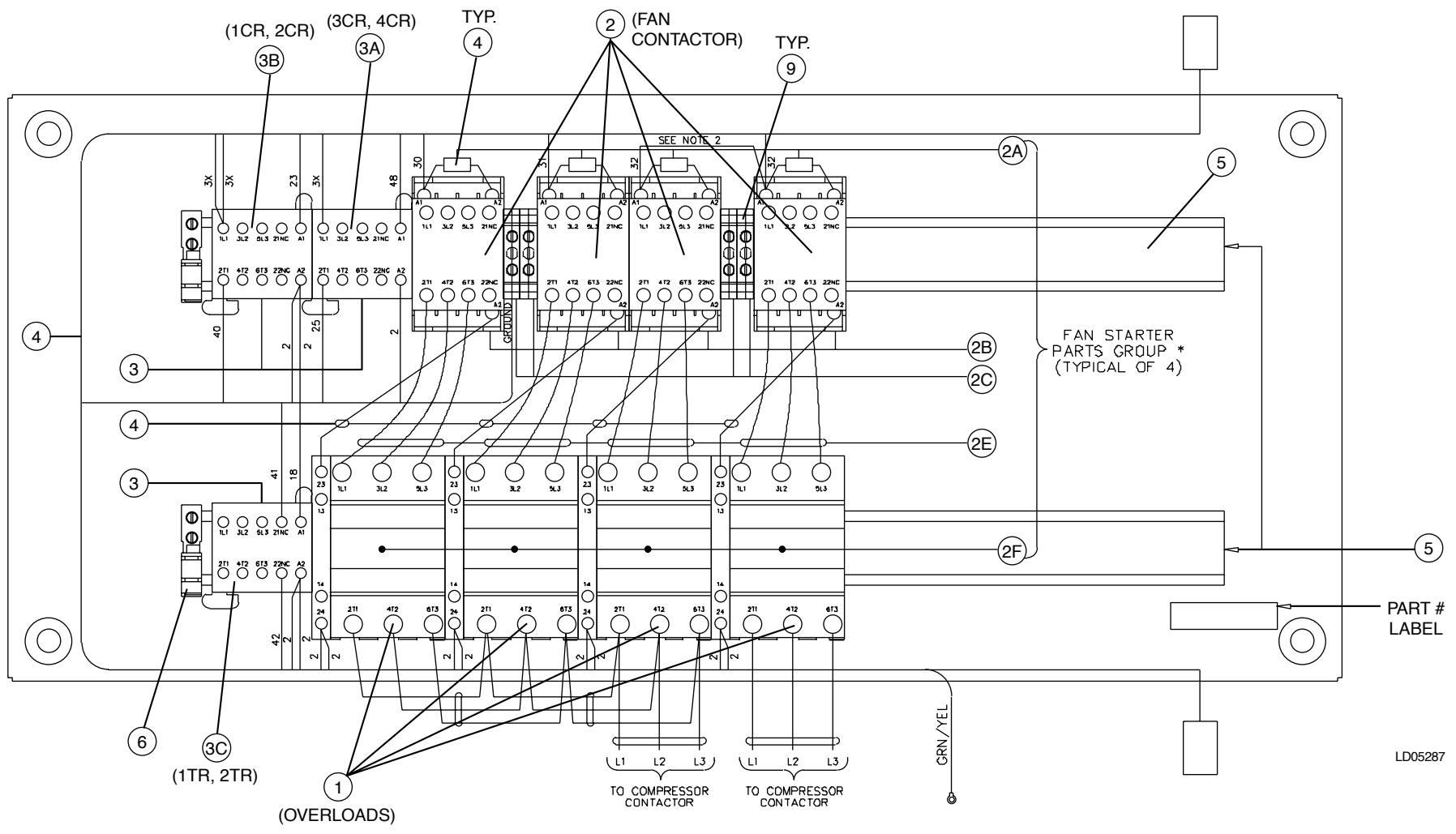
ITEM	DESCRIPTION	QTY.	371-02302-333	371-02302-334	371-02302-335
1A	Contactor	3	024-31638-000	024-31603-000	024-31603-000
		3	024-31643-000	024-31603-000	024-31603-000
1B	Contactor	3	024-31636-000	024-31602-000	024-31602-000
		3	024-31602-000	024-31602-000	024-31636-000
1C	Surge Suppressor	1	031-00808-000	031-00808-000	031-00808-000
1D	Mech Interlock	3	024-31601-000	024-31601-000	024-31601-000
			024-31601-000	024-31601-000	024-31601-000
1E	Lugs, Contactor	4	025-34401-000	025-34401-000	025-34401-000
2A	120V Harness	1	071-02600-000	071-02600-000	071-02600-000
2B	High Voltage Power Wire	1	Obtain Locally	Obtain Locally	Obtain Locally
3 ^s	Motor Protector	1	024-30907-000	024-30907-000	024-30907-000
4	Ground Lug	1	025-34455-000	025-34455-000	025-34455-000
5	Ground Lug	1	025-34089-000	025-34089-000	025-34089-000
6	Terminal Block	3	—	—	—
		3	—	—	—
7	Circuit Breaker		—	—	—
			—	—	—
8	NF Disc Switch	1	024-25575-000	—	024-31870-000
		1	024-25575-000	—	024-31870-000
10	Operator Mech.	2	025-34417-000	025-34417-000	025-34417-000
11	Sw. C/B Aux.2A/2B	2	024-31646-000	024-31646-000	024-31646-000

POWER PANEL COMPONENTS - WYE-DELTA (CONT'D)

LUG KITS (SERVICE AID)

TABLE 16 – STARTER PANEL COMPONENTS - LUG KITS

LUG KIT (SET OF 3) without CONTROL POWER TAP		LUG KIT (SET OF 3) with CONTROL POWER TAP		WIRE RANGE
YORK PART #	CAT #	YORK PART #	CAT #	
025-34478-000 CB-0291	K4TB	---	K4TBC	#14-1/0 AWG 2.5-50 mm ²
025-34479-000 CB-292	K4TC	---	K4TCC	#2-4/0 AWG 35-95 mm ²
025-34480-000 CB-0293	K4TD	---	K4TDC	#4 AWG - 300kcm 25-150 mm ²
025-34478-000	K4TB	---	K4TBC	#14 - 1/0 AWG 2.5-50 mm ²
025-34479-000	K4TC	---	K4TCC	#2 - 4/0 AWG 35 - 95 mm ²
025-34480-000	K4TD	---	K4TDC	#4AWG - 300 kcm 25 - 150 mm ²
025-34418-000 CB-0294	K4TE	024-31650-000 CB-0562	K4TEC	#6 AWG - 350 kcm 16 - 150 mm ²
025-34480-000	K4TD	---	K4TDC	#4 AWG - 300 kcm 25 - 150 mm ²
025-34481-000 C3-0295	K5TF	024-31651-000 CB-0563	K5TFC	250-500 kcm 120-240mm ²
025-34420-000 CB-0296	K5TG	024-31652-000 CB-0564	K5TGC	(2)3/0 AWG-250 kcm (2) 95 - 120 mm ²
025-34414-000 CB-0297	K6TH	024-31653-000 CB-0565	K6THC	(2) 250-500 kcm (2) 120 - 240 mm ²
025-34415-000 CB-0298	K6TJ	024-31654-000 CB-0566	K6TJC	(3)2/0 AWG-400 kcm (2) 70 - 185 mm ²
025-34414-000	K6TH	024-31653-000	K6THC	(2) 250-500 kcm (2) 120 - 240 mm ²
025-34415-000	K6TJ	024-31654-000	K6TJC	(3)2/0 AWG-400 kcm (2) 70 - 185 mm ²
025-34412-000 CB-0299	K7TK	024-31655-000 CB-0567	K7TKC	(4)4/0 AWG-500 kcm (4) 95 - 240 mm ²



4 FAN CONTACTOR PANEL (All other Contactor Panels similar)

FIG. 23 – 4 FAN CONTACTOR PANEL (REF. TABLE 17, PAGE 57)

4 FAN CONTACTOR PANEL COMPONENTS (CONT'D)

(All other contactor panels similar)

TABLE 17 – 4 FAN CONTACTOR PANEL COMPONENTS – YCAS F (SEE FIG. 23, PAGE 56)

ITEM	LEGEND	DESCRIPTION	YORK PART NO.	QTY*
1	9 OL -	6.3 A OVERLOAD	025-34449-000	4
1	20 OL	9.0 A OVERLOAD	025-34446-000	4
2	9M -	FAN CONTACTOR 380-575V	025-34448-000	4
2	20M	FAN CONTACTOR 200-230V	025-34445-000	4
3A	3, 4CR	COMP HTR RELAY	024-31635-000	1
3B	1, 2CR	COMP RUN RELAY	024-31635-000	1
3C	1, 2TR	Y-D TRANSITION RELAY	024-31635-000	1
4		SURGE SUPPRESSOR	031-00808-000	4
5		DIN RAIL SLOTTED	025-29167-000	0.5
6		END CLAMP	025-34439-000	2
7		14AWG BLK 600V 1		8
8		FAN PNL PWR-WIRE		3
9		PH TERM USLKG2.5	025-34447-000	4

* **Note:** 4 Fan Panel Assembly is shown. Adjust quantities for 3, 5 and 6 fan assemblies as needed.

OPTION AND POWER PANEL CONFIGURATIONS

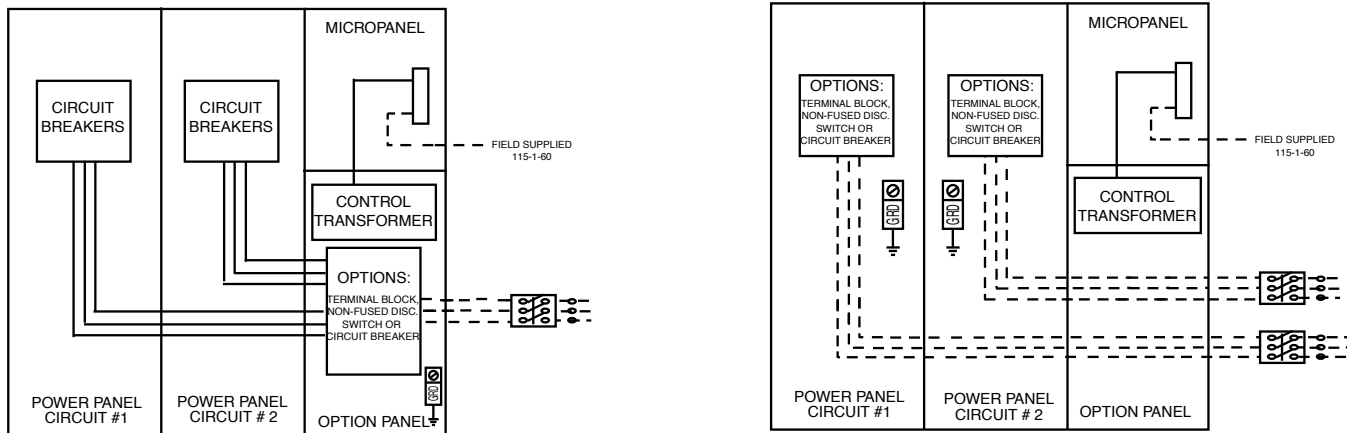
Power panels and option panels are offered in several configurations using three (3) major components:

1. TERMINAL BLOCKS -
2. CIRCUIT BREAKER SWITCH -
3. NF (Non Fused) DISCONNECT SWITCH -

The most basic chiller power wiring configuration uses terminal blocks in the power panel, and an option panel with no power wire termination hardware. See figures below. The model number pin number locations 16 and 17 would be X and X to reflect this basic combination. Identify pin number locations 16 and 17 to identify the chiller power wiring connections and hardware listed below.

PIN 16 & 17 LETTER CODE IDENTIFIERS	POWER PANEL AND OPTION PANEL CONFIGURATION
X X	Terminal Blocks for each system in power panel; no options in option panel
M D	NF disconnect switch for each system in power panel; no options in option panel
M B	Circuit Breaker switch for each system in power panel; no options in option panel
S B	Circuit Breaker switch for each system in power panel; SP terminal block in option panel
D B	Circuit Breaker switch for each system in power panel; SP NIF disc switch in option panel
S S	NF disconnect switch for each system in power panel; SP terminal block in option panel
C S	NF disconnect switch for each system in power panel; SP circuit breaker in option panel

Examples of power wiring configurations:



LD06254

FIG. 24 – EXAMPLES OF POWER WIRING CONFIGURATIONS (2-COMPRESSOR UNITS)

OPTION PANEL IDENTIFIERS

TABLE 18 – OPTION PANEL IDENTIFIERS (SELECT OPTION PANEL NUMBER BELOW, THEN REFER TO TABLE 19 ON PAGE 60, AND FIGS. 26 AND 27, PAGES 61 AND 62)

Model	Code	Terminal Block	Qty.	NF Disc. Switch	Qty.	Circuit Breaker	Qty.
YCAS130	40	371-02700-245	1	371-02700-264	1	371-02700-254	1
	46	371-02700-208	1	371-02700-226	1	371-02700-250	1
	58	371-02700-209	1	371-02700-228	1	371-02700-251	1
YCAS140	40	371-02700-245	1	371-02700-264	1	371-02700-254	1
	46	371-02700-206	1	371-02700-226	1	371-02700-250	1
	58	371-02700-209	1	371-02700-228	1	371-02700-251	1
YCAS150	40	371-02700-246	1	371-02700-264	1	371-02700-255	1
	46	371-02700-206	1	371-02700-226	1	371-02700-250	1
	58	371-02700-209	1	371-02700-227	1	371-02700-251	1
YCAS160	40	371-02700-246	1	371-02700-275	1	371-02700-255	1
	46	371-02700-206	1	371-02700-226	1	371-02700-250	1
	58	371-02700-209	1	371-02700-227	1	371-02700-251	1
YCAS170	40	371-02700-246	1	371-02700-275	1	371-02700-255	1
	46	371-02700-206	1	371-02700-226	1	371-02700-250	1
	58	371-02700-209	1	371-02700-227	1	371-02700-251	1
YCAS180	40	371-02700-246	1	371-02700-275	1	371-02700-255	1
	46	371-02700-206	1	371-02700-226	1	371-02700-250	1
	58	371-02700-207	1	371-02700-227	1	371-02700-251	1
YCAS200	40	371-02700-246	1	371-02700-275	1	371-02700-255	1
	46	371-02700-204	1	371-02700-226	1	371-02700-253	1
	58	371-02700-207	1	371-02700-227	1	371-02700-251	1
YCAS210	40	371-02700-246	1	371-02700-275	1	371-02700-255	1
	46	371-02700-204	1	371-02700-224	1	371-02700-253	1
	58	371-02700-207	1	371-02700-227	1	371-02700-251	1
YCAS230	40	371-02700-246	1	371-02700-275	1	371-02700-255	1
	46	371-02700-204	1	371-02700-224	1	371-02700-253	1
	58	371-02700-207	1	371-02700-227	1	371-02700-251	1

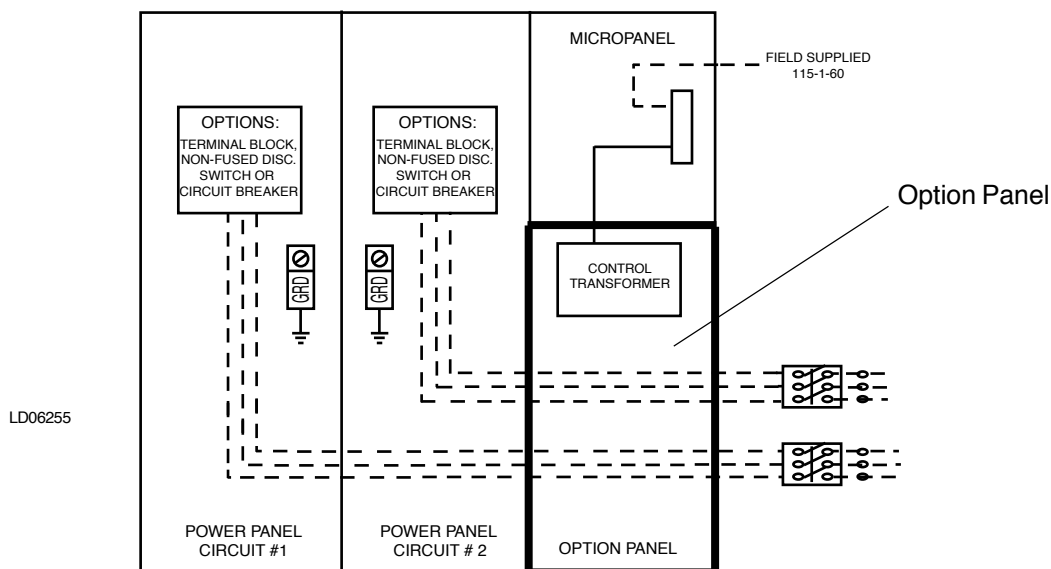


FIG. 25 – OPTION PANEL (2-COMPRESSOR UNITS)

OPTION PANEL COMPONENTS

TABLE 19 – OPTIONS PANEL COMPONENTS (SEE FIGS. 26 AND 27, PAGES 61 AND 62)

ITEM	DESCRIPTION	QUANTITY	371-02700-204	371-02700-206	371-02700-207	371-02700-208	371-02700-209	371-02700-224	371-02700-226	371-02700-227	371-02700-228
4A			See Fig. 26	See Fig. 26	See Fig. 26	See Fig. 26	See Fig. 26	See Fig. 27	See Fig. 27	See Fig. 27	See Fig. 27
	Terminal Block	3	025-34405-000	025-34408-000	025-34408-000	025-34405-000	025-34405-000	—	—	—	—
	NF Disconnect Switch	1	—	—	—	—	—	024-25563-000	024-25564-000	024-25564-000	024-25565-000
	Circuit Breaker	1	—	—	—	—	—	—	—	—	—
4B	Handle Kit	1	—	—	—	—	—	025-34413-000	025-34417-000	025-34417-000	025-34417-000
4C	Lug Kit	1	—	—	—	—	—	025-34414-000	025-34420-000	025-34420-000	025-34418-000
4D	Lug Kits with Power Tap	1	—	—	—	—	—	024-31654-000	024-31652-000	024-31652-000	024-31650-000
4E	Insertion Bridge	3	025-34423-000	025-34422-000	025-34422-000	—	—	—	—	—	—
1C	Switch, Control Power	1	024-31833-000	024-31833-000	024-31833-000	024-31833-000	024-31833-000	024-31833-000	024-31833-000	024-31833-000	024-31833-000
1D	Shaft, Control Power Sw.	1	024-31633-000	024-31633-000	024-31633-000	024-31633-000	024-31633-000	024-31633-000	024-31633-000	024-31633-000	024-31633-000
1E	Handle, Control Power Sw.		024-31832-000	024-31832-000	024-31832-000	024-31832-000	024-31832-000	024-31832-000	024-31832-000	024-31832-000	024-31832-000
2B	Transformer	1	025-34429-000	025-34429-000	025-34432-000	025-34429-000	025-34432-000	025-34429-000	025-34429-000	025-34432-000	025-34432-000
2A	Fuse	2	025-34430-000	025-34430-000	025-34431-000	025-34430-000	025-34431-000	025-34430-000	025-34430-000	025-34431-000	025-34431-000

ITEM	DESCRIPTION	QUANTITY	371-02700-245	371-02700-246	371-02700-250	371-02700-251	371-02700-253	371-02700-254	371-02700-255	371-02700-264	371-02700-275
4A			See Fig. 26	See Fig. 26	See Fig. 27	See Fig. 27	See Fig. 27	See Fig. 27	See Fig. 27	See Fig. 27	See Fig. 27
	Terminal Block	3	025-34408-000	025-34405-000	—	—	—	—	—	—	—
	NF Disconnect Switch	1	—	—	—	—	—	—	—	024-25564-000	024-25563-000
	Circuit Breaker	1	—	—	025-34424-000	025-34424-000	025-34425-000	025-34424-000	025-34425-000	—	—
4B	Handle Kit	1	—	—	025-34417-000	025-34417-000	025-34413-000	025-34417-000	025-34413-000	025-34417-000	025-34413-000
4C	Lug Kit	1	—	—	025-34420-000	025-34420-000	025-34414-000	025-34420-000	025-34414-000	025-34420-000	025-34414-000
4D	Lug Kits with Power Tap	1	—	—	024-31652-000	024-31652-000	024-31654-000	024-31652-000	024-31654-000	024-31652-000	024-31654-000
4E	Insertion Bridge	3	025-34422-000	—	—	—	—	—	—	—	—
1C	Switch, Control Power	1	024-31833-000	024-31833-000	024-31833-000	024-31833-000	024-31833-000	024-31833-000	024-31833-000	024-31833-000	024-31833-000
1D	Shaft, Control Power Sw.	1	024-31633-000	024-31633-000	024-31633-000	024-31633-000	024-31633-000	024-31633-000	024-31633-000	024-31633-000	024-31633-000
1E	Handle, Control Power Sw.		024-31832-000	024-31832-000	024-31832-000	024-31832-000	024-31832-000	024-31832-000	024-31832-000	024-31832-000	024-31832-000
2B	Transformer	1	025-34436-000	025-34436-000	025-34429-000	025-34432-000	025-34429-000	025-34436-000	025-34436-000	025-34436-000	025-34436-000
2A	Fuse	2	025-34435-000	025-34435-000	025-34430-000	025-34431-000	025-34430-000	025-34435-000	025-34435-000	025-34435-000	025-34435-000

OPTION PANEL COMPONENTS (CONT'D)

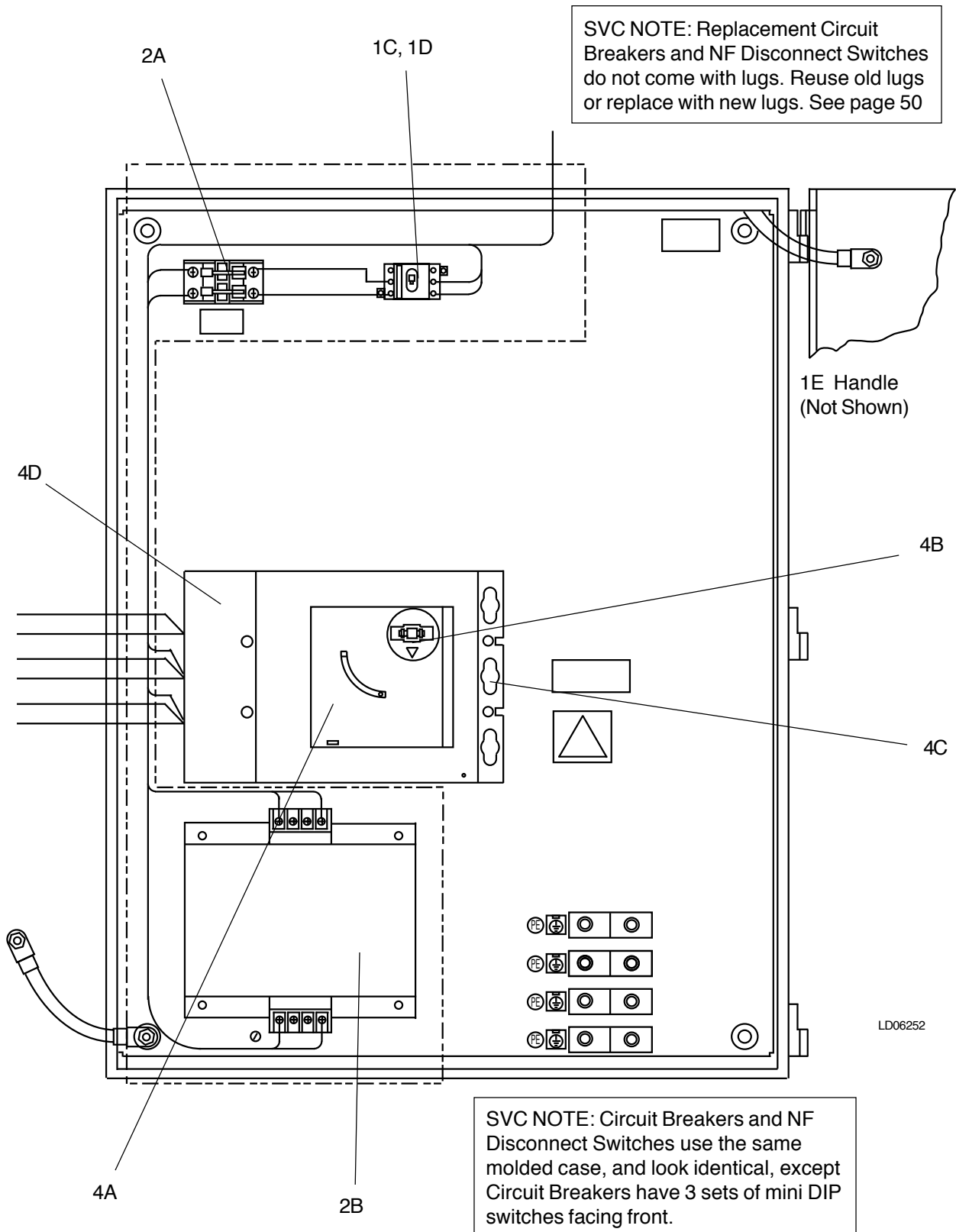


FIG. 26 – OPTION PANEL SHOWN WITH CIRCUIT BREAKER OR NON-FUSED DISCONNECT SWITCH (REF. TABLE 19, PAGE 60)

OPTION PANEL COMPONENTS (CONT'D)

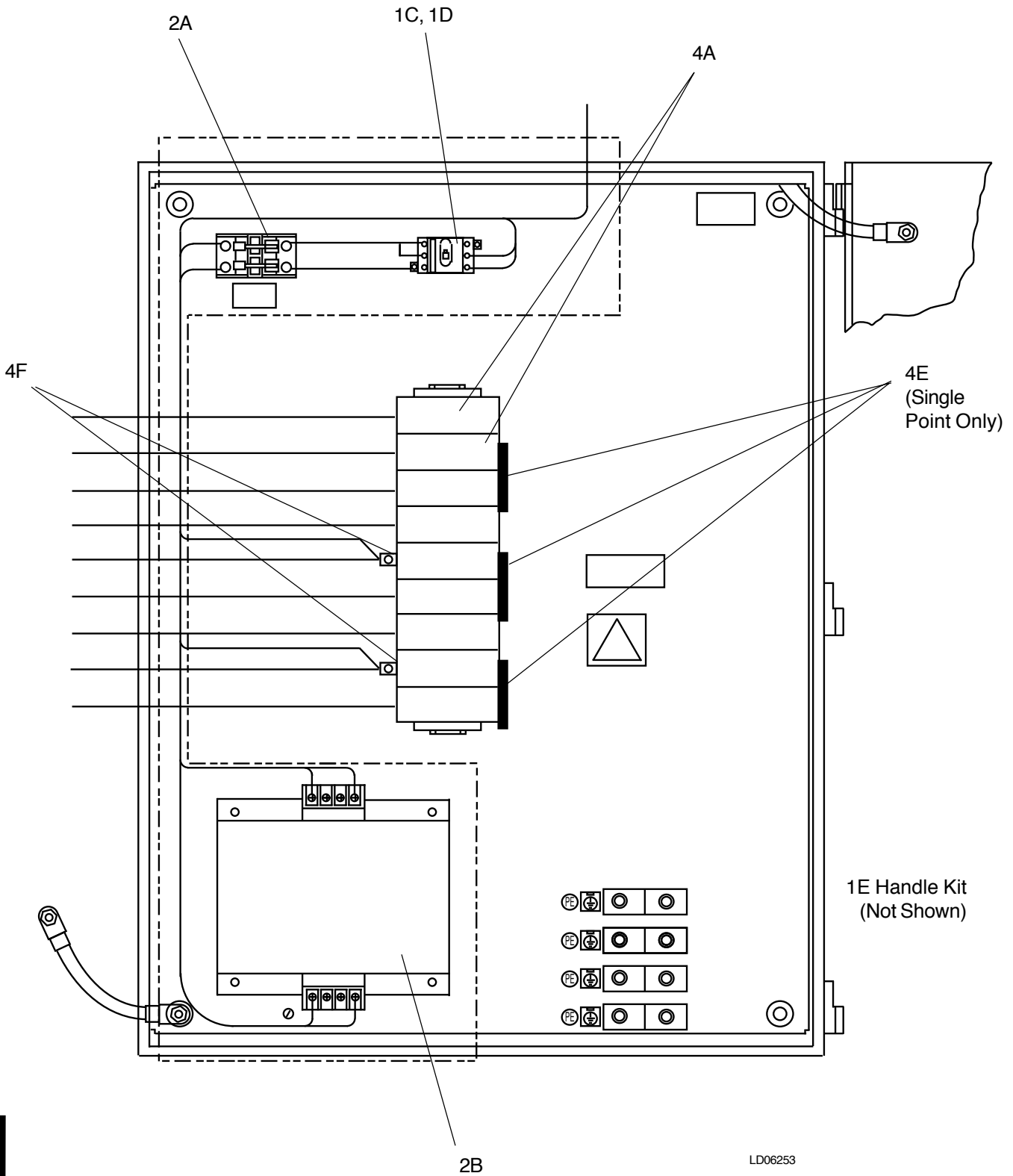


FIG. 27 – OPTION PANEL SHOWN WITH POWER TERMINAL BLOCK (REF. TABLE 19, PAGE 60)

This page intentionally left blank.

TABLE 20 – FIELD INSTALLABLE OPTIONS TABLE

MODEL NUMBER YCAS - F	ISOLATORS SPRING 1" DEFLEC* CU/AL	VIBRATION ISOLATORS SPRING 2" (SEISMIC) CU/AL	VIBRATION ISOLATOR PAD 1/2" DEFLEC CU/AL	VIBRATION ISOLATORS SPRING 1" DEFLEC* CU/CU	VIBRATION ISOLATORS SPRING 2" (SEISMIC) CU/CU	VIBRATION ISOLATOR PAD 1/2"DEFLEC CU/CU	VIBRATION WIRE ENCLOSURE FULL UNIT	LOUVERED ENCLOSURE FULL UNIT	WIRE/ LOUVERED ENCLOSURE FULL UNIT	LOUVERED ENCLOSURE CONDENSER ONLY	BAS/EMS INTERFACE KIT	REMOTE CONTROL PANEL 60Hz
MODEL NO.	029-22921	029-22921	029-22781	029-22921	029-22921	029-22781	375-29513	375-29514	375-29515	375-29516	371-02492	371-02485
0130	-101	-201	-001	-351	-451	-004	-016	-016	-016	-016	-102	-102
0140	-101	-201	-001	-351	-451	-004	-016	-016	-016	-016	-102	-102
0150	-102	-202	-002	-351	-451	-005	-016	-016	-016	-016	-102	-102
0160	-102	-202	-002	-351	-452	-005	-016	-016	-016	-016	-102	-102
0170	-102	-202	-002	-351	-452	-005	-016	-016	-016	-016	-102	-102
0180	-102	-202	-002	-351	-452	-005	-016	-016	-016	-016	-102	-102
0200	-103	-203	-003	-351	-453	-006	-020	-020	-020	-020	-102	-102
0210	-103	-203	-003	-351	-453	-005	-020	-020	-020	-020	-102	-102
0230	-103	-203	-003	-351	-453	-007	-020	-020	-020	-020	-102	-102

* Note Tubing and Fin Coil Material – Copper Coils (Cu/Cu) are much heavier than aluminum (Al).

SOUND ENCLOSURE KITS
(Perimeter Panel Design as of 2/1/00)

2 Comp Units 375-23782-000
3 Comp Units 375-33124-000
4 Comp Units 375-33125-000

ENCLOSURE KIT OPTIONS – FULL UNIT (Includes Top and Bottom Sections)

TABLE 21 – ENCLOSURE KIT OPTIONS

MODEL NUMBER	WIRE ENCLOSURE FULL UNIT *	LOUVERED ENCLOSURE FULL UNIT *	WIRE / LOUVERED ENCLOSURE FULL UNIT *	LOUVERED ENCLOSURE CONDENSER ONLY
YCAS - F	375-29513-	375-29514-	375-29515-	375-29516-
0130	016	016	016	016
0140	016	016	016	016
0150	016	016	016	016
0160	016	016	016	016
0170	016	016	016	016
0180	016	016	016	016
0200	020	020	020	020
0210	020	020	020	020
0230	020	020	020	020

* Full units include top and bottom sections listed in Table 22 below. Top or bottom sections may be ordered separately if desired.

TABLE 22 – ENCLOSURE KIT OPTIONS – TOP AND BOTTOM KITS AVAILABLE SEPARATELY

FULL UNIT KIT OPTION NUMBER INCLUDES THE FOLLOWING TOP AND BOTTOM SECTION KITS			
TYPE	FULL UNIT KIT NO.	TOP KIT NO.	BOTTOM KIT NO.
WIRE	375-29513-016	375-29569-160 (FIG. 28)	375-29569-161 (FIG. 29)
WIRE	375-29513-020	375-29569-200 (FIG. 28)	375-29569-201 (FIG. 29)
LOUVER	375-29514-016	375-29571-160 (FIG. 30)	375-29571-161 (FIG. 31)
LOUVER	375-29514-020	375-29571-200 (FIG. 30)	375-29571-201 (FIG. 31)
W/L	375-29515-016	375-29571-160	375-29569-161
W/L	375-29515-020	375-29571-200	375-29569-201
LOUVER	375-29516-016	375-29571-160	N/A
LOUVER	375-29516-020	375-29571-200	N/A

- Top and Bottom may be ordered separately.
- Individual parts are shown on the following pages.

WIRE ENCLOSURE TOP SECTION PARTS BREAKDOWN

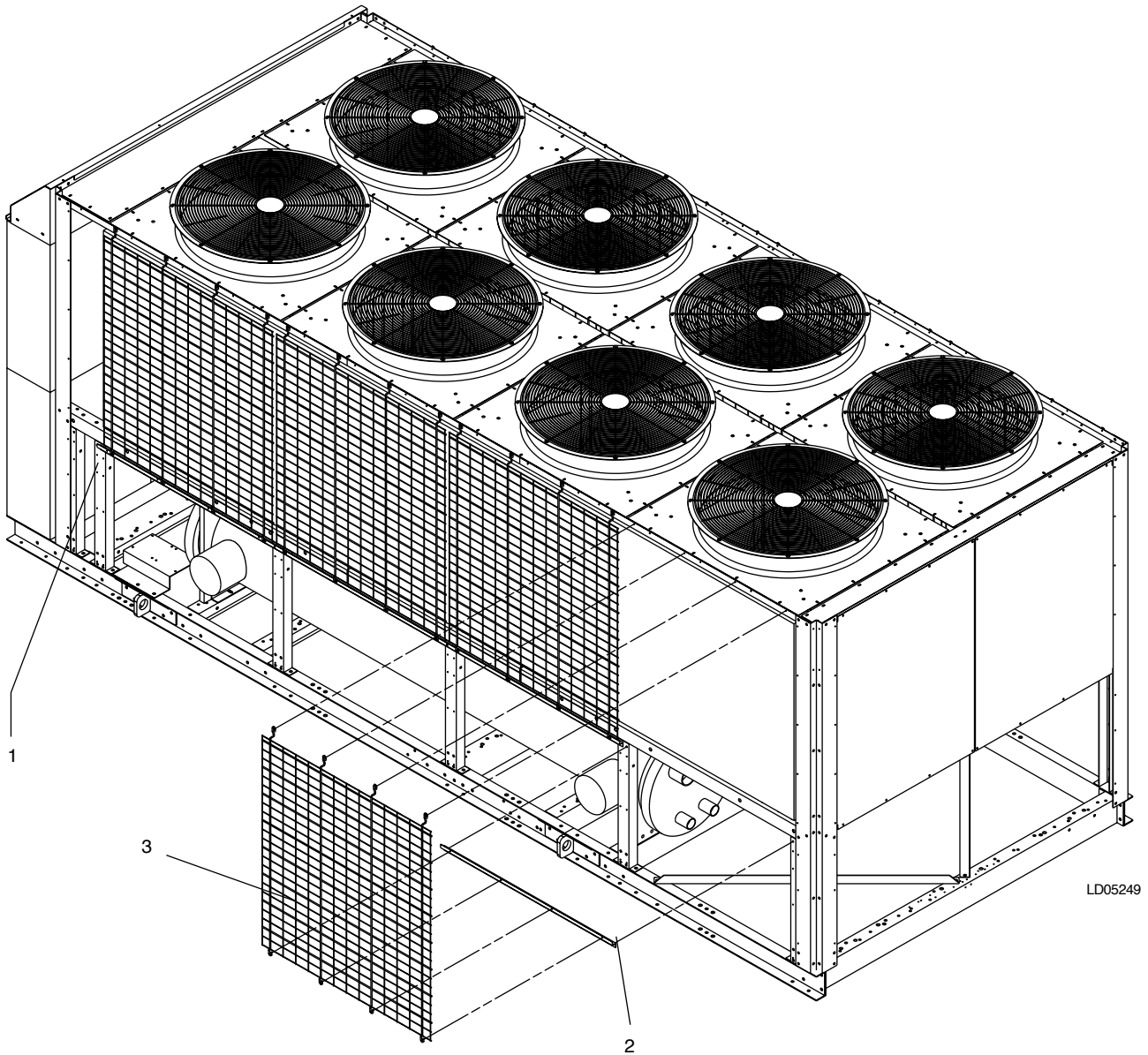


FIG. 28 – TOP SECTION - WIRE ENCLOSURE - KIT NO. 375-29569-160 IS SHOWN.

TABLE 23 – WIRE ENCLOSURE TOP

KITS 375-29569-160 AND 200			
TOP KIT COMPONENTS			
REF. NUMBER	QUANTITY	DESCRIPTION	PART NUMBER
1	2	Z CHANNEL	075-29588-000
2	a	Z CHANNEL DXST	075-29589-000
3	b	WIRE GRILL CONDENSER DXST	026-36533-000
	1	HARDWARE KIT	c

- a For kit no. 375-29569-160: quantity is 6
- a For kit no. 375-29569-200: quantity is 8
- b For kit no. 375-29569-160: quantity is 8
- b For kit no. 375-29569-200: quantity is 10
- c For kit no. 375-29569-160: use part number 321-29569-160
- c For kit no. 375-29569-200: use part number 321-29569-200

WIRE ENCLOSURE BOTTOM SECTION PARTS BREAKDOWN

Chiller Options

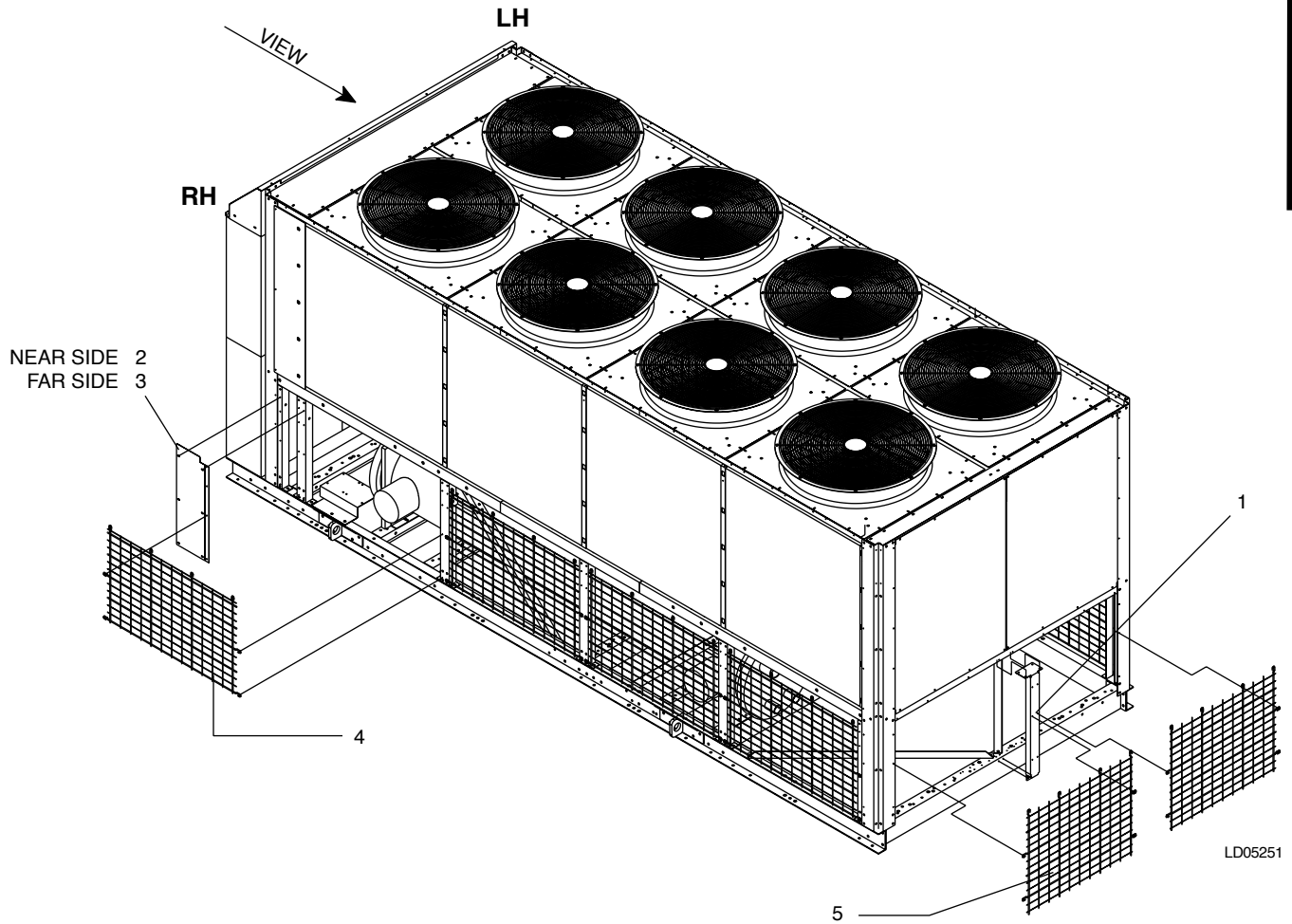


FIG. 29 – BOTTOM SECTION - WIRE ENCLOSURE - KIT NO. 375-29569-161 IS SHOWN.

TABLE 24 – WIRE ENCLOSURE BOTTOM

KITS 375-29569-161 AND 201			
BOTTOM KIT COMPONENTS			
REF. NUMBER	QUANTITY	DESCRIPTION	PART NUMBER
1	1	REAR SUPPORT	075-29590-000
2	1	PANEL VANITY RH	075-29591-000
3	1	PANEL VANITY LH	075-29592-000
4	a	WIRE GRILL DXST	026-36534-000
5	2	WIRE GRILL REAR DXST	026-36535-000
	1	HARDWARE KIT	b

a For kit no. 375-29569-161: quantity is 8

a For kit no. 375-29569-201: quantity is 10

b For kit no. 375-29569-161: use part number 321-29569-161

b For kit no. 375-29569-201: use part number 321-29569-201

LOUVERED ENCLOSURE TOP SECTION PARTS BREAKDOWN

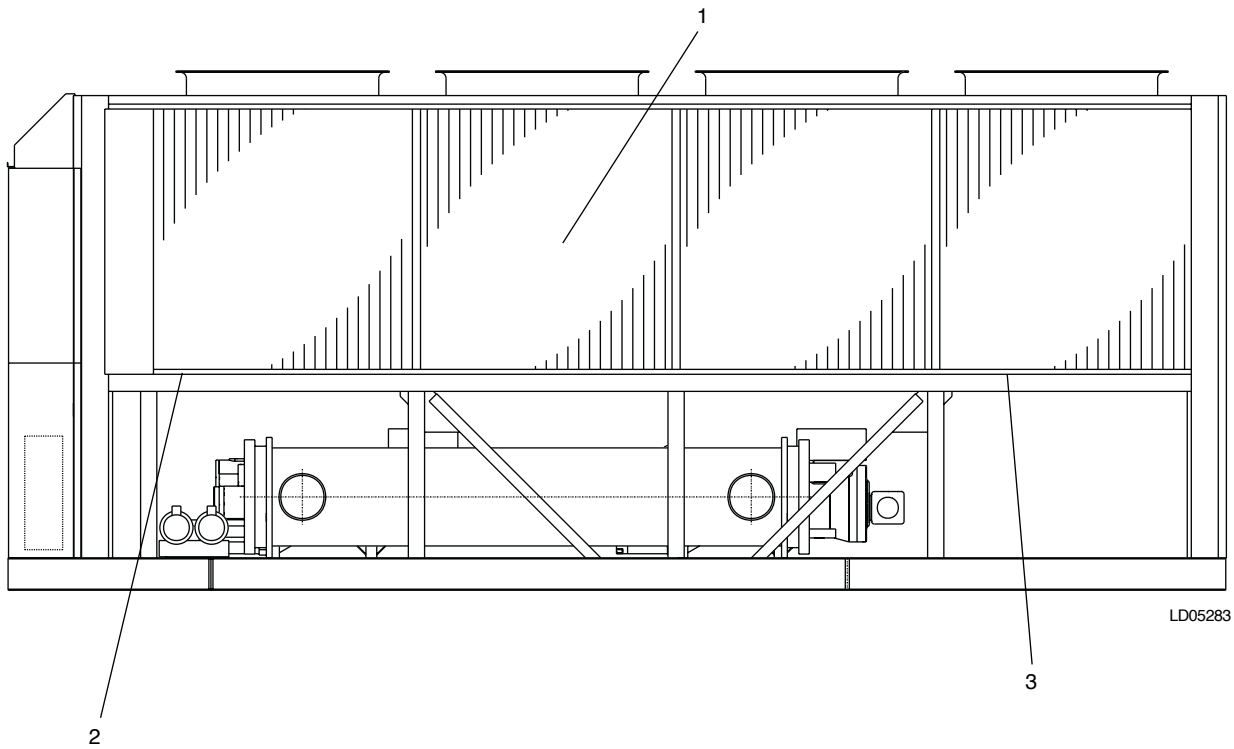


FIG. 30 – TOP SECTION - LOUVERED EXPOSURE - KIT NO. 375-29571-200 IS SHOWN

TABLE 25 – LOUVERED PANEL ENCLOSURE TOP

KITS 375-29571-160 and 200			
TOP KIT COMPONENTS			
REF. NUMBER	QUANTITY	DESCRIPTION	PART NUMBER
1	a	PANEL LOUVER	075-29580-000
2	2	Z CHANNEL	075-29588-000
3	b	Z CHANNEL DXST TAMPER PROOF	075-29589-000
	1	HARDWARE KIT	c

a For kit no. 375-29571-160: quantity is 8

a For kit no. 375-29571-200: quantity is 10

b For kit no. 375-29571-160: quantity is 6

b For kit no. 375-29571-200: quantity is 8

c For kit no. 375-29571-160: use part number **321-29571-160**

c For kit no. 375-29571-200: use part number **321-29571-200**

LOUVERED ENCLOSURE BOTTOM SECTION PARTS BREAKDOWN

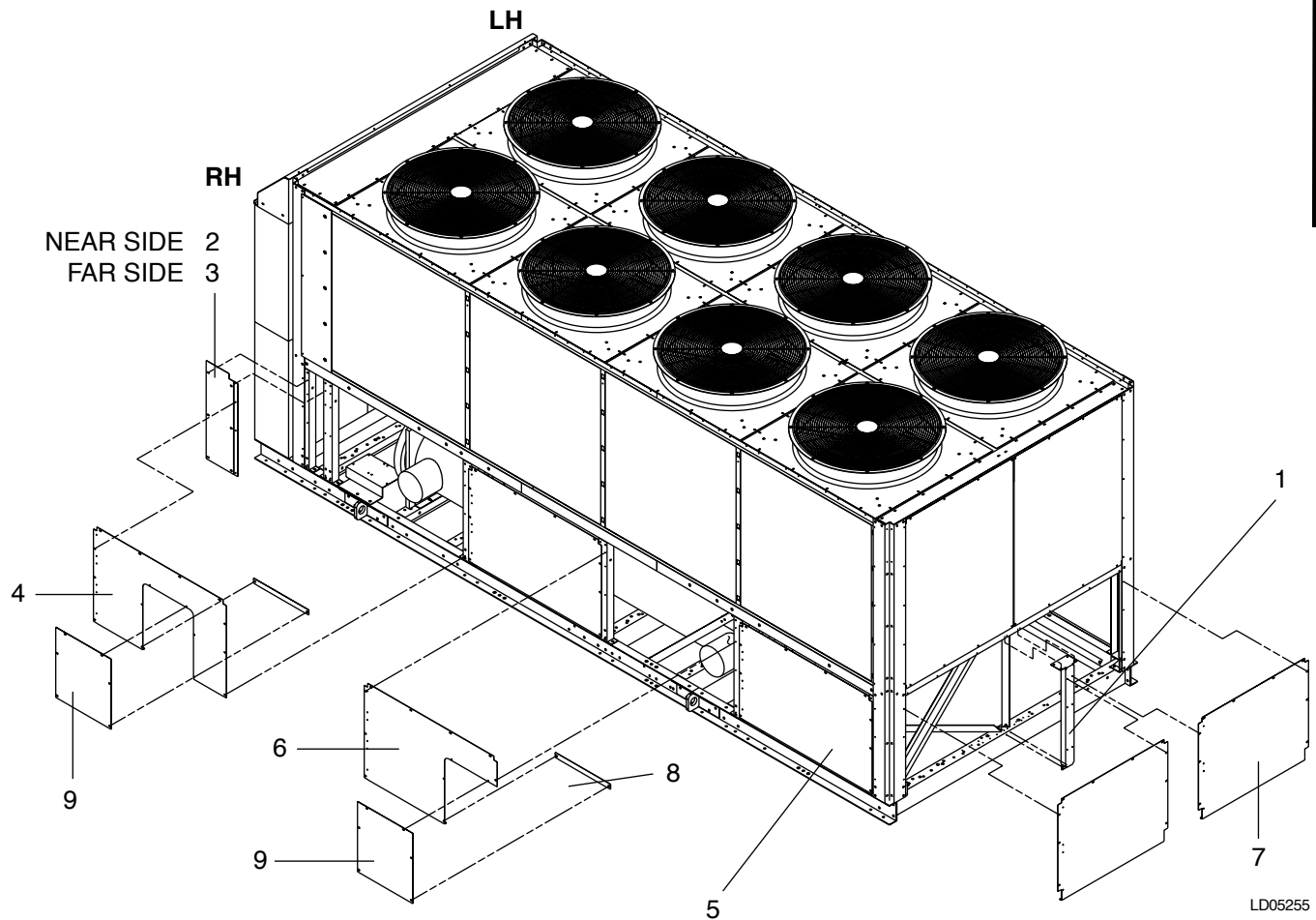


FIG. 31 – BOTTOM SECTION - LOUVERED ENCLOSURE - KIT NO. 375-29571-161 IS SHOWN.

TABLE 26 – LOUVERED PANEL ENCLOSURE BOTTOM

KITS 375-29571-161 and 201			
BOTTOM KIT COMPONENTS			
REF. NUMBER	QUANTITY	DESCRIPTION	PART NUMBER
1	1	REAR SUPPORT	075-29590-000
2	1	PANEL VANITY RH	075-29591-000
3	1	PANEL VANITY LH	075-29592-000
4	1	PANEL LOUVER	075-29582-000
5	a	PANEL LOUVER	075-29581-000
6	1	PANEL LOUVER	075-29584-000
7	2	PANEL LOUVER	075-29585-000
8	2	ANGLE SUPPORT WATER CONNECTOR	075-29587-000
9	2	PLATE WATER CONNECTOR COVER	075-29586-000

a For kit no. 375-29571-161: quantity is 6

a For kit no. 375-29571-201: quantity is 8

REMOTE CURRENT/TEMPERATURE RESET WIRING

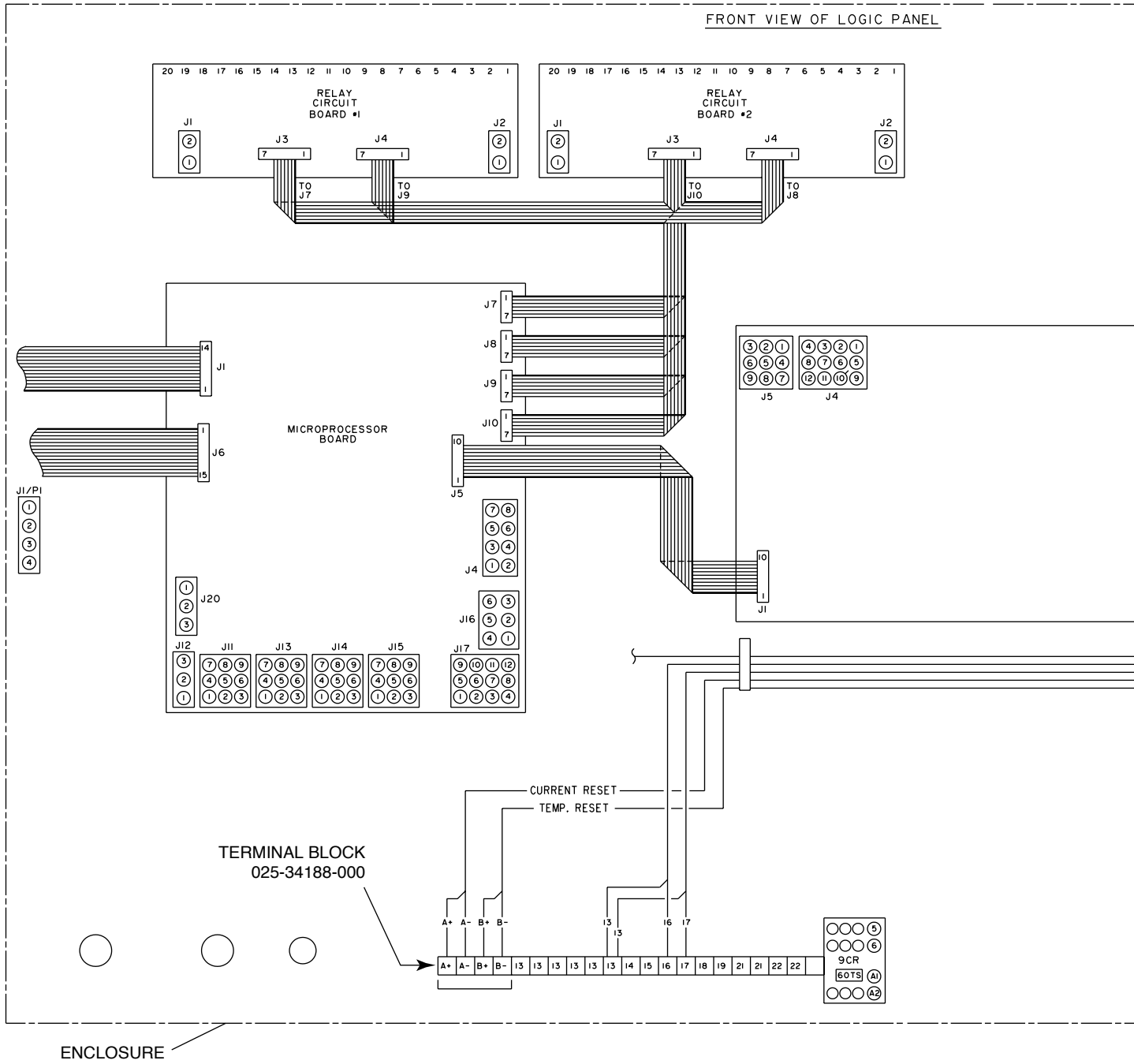


FIG. 32 – REMOTE CURRENT/TEMPERATURE RESET WIRING KIT

REMOTE CURRENT/TEMPERATURE RESET WIRING

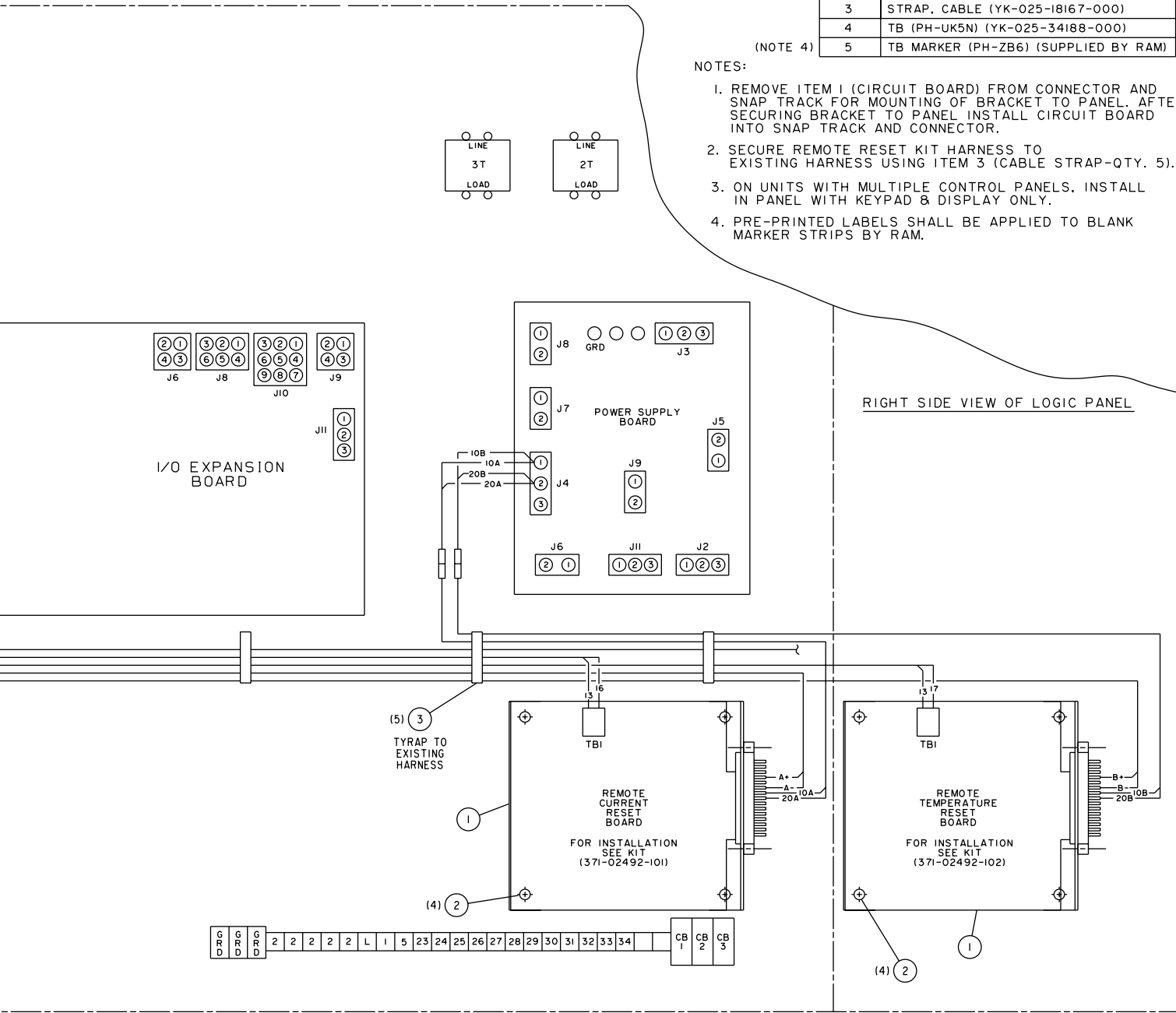
Chiller Options

ITEM	DESCRIPTION
1	CONTROL
2	SCREW, PAN HD. #10 X 1/2
3	STRAP, CABLE (YK-025-18167-000)
4	TB (PH-UK5N) (YK-025-34188-000)
5	TB MARKER (PH-ZB6) (SUPPLIED BY RAM)

(NOTE 4)

NOTES:

1. REMOVE ITEM 1 (CIRCUIT BOARD) FROM CONNECTOR AND SNAP TRACK FOR MOUNTING OF BRACKET TO PANEL. AFTER SECURING BRACKET TO PANEL INSTALL CIRCUIT BOARD INTO SNAP TRACK AND CONNECTOR.
2. SECURE REMOTE RESET KIT HARNESS TO EXISTING HARNESS USING ITEM 3 (CABLE STRAP-QTY. 5).
3. ON UNITS WITH MULTIPLE CONTROL PANELS, INSTALL IN PANEL WITH KEYPAD & DISPLAY ONLY.
4. PRE-PRINTED LABELS SHALL BE APPLIED TO BLANK MARKER STRIPS BY RAM.



RIGHT SIDE VIEW OF LOGIC PANEL

LD05854

CURRENT/TEMPERATURE RESET PARTS BREAKDOWN

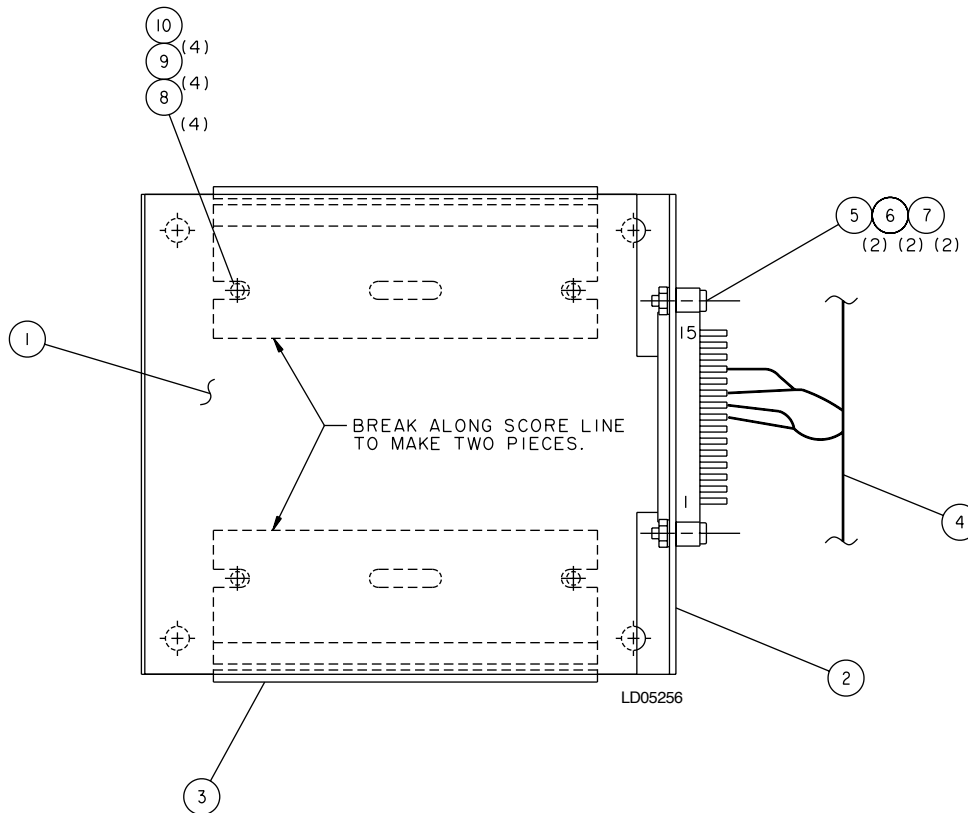


FIG. 33 – REMOTE TEMPERATURE RESET KIT

TABLE 27 – REMOTE CURRENT/TEMPERATURE RESET KIT

371-02492-102			
REF. NUMBER	QUANTITY	DESCRIPTION	PART NUMBER
1	1	CONTROL, REMOTE CURRENT/TEMP	031-00814-000
2	1	BRACKET, REMOTE CURRENT/TEMP RESET	371-01232-361
3	1	TRACK, SNAP	071-01232-363
4	1	WIRING, REMOTE CURRENT/TEMP RESET	571-02492-231*
5	2	SCREW MACH. PAN HD #4	021-17594-000
6	2	NUT HEX MACH SCREW #4 – 40 UNC-2B	021-10056-000
7	2	LKWASH HEL. SPG. #4 REG.	021-17576-000

* Refer to Table 28 below.

TABLE 28 – REMOTE RESET WIRING

QUANTITY	DESCRIPTION	PART NUMBER
2	CONT SOC AWG WIRE SIZE 20	025-19674-000
2	TERMINAL PUSH ON STRAIGHT	025-06642-000
4	TUBING HEAT SHRINKABLE 1/8 ID	025-29632-000
1	HGS CONNECTOR ELECTRICAL PLUG	025-32564-000*
1	CONNECTOR EDGE, 15 POSITION, 0.125	025-29631-000

* Was P/N 025-21137-000 prior to Spring 1999.

REMOTE CONTROL CENTER

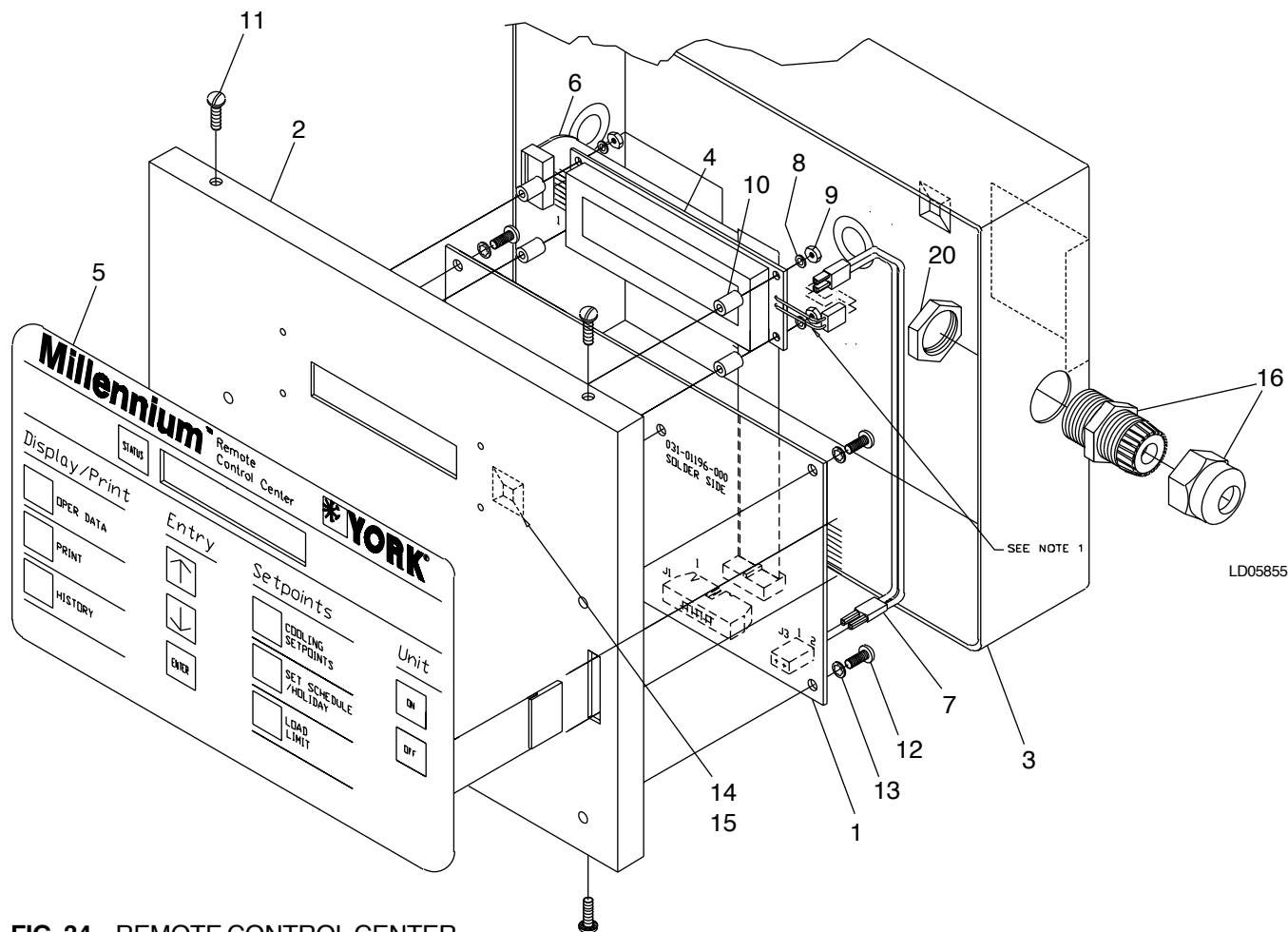


FIG. 34 – REMOTE CONTROL CENTER

TABLE 29 – RCC PARTS

RCC PARTS			
371-02485-101 AND 102 (50 AND 60 HZ)			
REF. NUMBER	QUANTITY	DESCRIPTION	PART NUMBER
1	1	CONTROL, MICROBOARD	031-01196-000
2	1	COVER, REMOTE CONTROL	371-02485-311
3	1	BASE, REMOTE CONTROL	071-02485-320
4	1	DISPLAY, LCD	031-01110-000
5	1	SWITCH, KEYPAD	024-30930-000
6	1	RIBBON CABLE	071-01289-211
7	1	WIRE CABLE	071-01289-212
10	4	SPACER, NYLON 1/4 OD X 7/16 LG.	021-17575-000
11	4	SCREW TAP THD. FORM TYPE AB	021-14150-000
14	3	CABLE TIE MOUNT	025-25155-000
15	5	CABLE TIE	025-18167-000
16	1	CABLE FITTING	025-31732-000
17	2	INSULATOR, RECIPAK, ROOFTOP	071-01730-000
18	2	MODULE, LAN TRANSIENT PROTECTION (LTP)	031-01586-000
19	1	INSTALLATION INSTRUCTIONS	071-01289-002
20	1	NUT, LOCKING, HEYCO-8464	
21	1	OPERATOR'S MANUAL	201.18-NM1.2

RECOMMENDED SPARE PARTS

York Model YCAS Style F Air Cooled Screw Chillers
Suggested Spare Parts List for Critical Duty Applications

All requests for parts should be made to your local YORK Sales And Service Center shown on inside back cover.

TABLE 30 – SPARE PARTS

PAGE REF. & ITEM NUMBER	DESCRIPTION	PART NUMBER
Page 10, Item 1	Valve, Thermal Expansion (Cooler)	See Table 4
Page 10, Item 5	Core, Dehydrator	026-18328-000
Page 10, Item 16	Coil, Solenoid	See Table 4
Page 25, Item 1	Sensor, Outside Air Temp.	025-28663-001
Page 25, Item 2	Sensor, Water Temp. (All)	025-29964-000
Page 25, Item 3	Sensor, Oil Temp.	025-30440-000
Page 25, Item 4	Sensor, Discharge Temp.	025-32924-000
Page 25, Item 5	Sensor, Suction Temp.	025-28935-000
Page 25, Item 6	HP Cut-out (USA Std.)	025-30480-000
Page 25, Item 7	Transducer, Suction 0-200 PSI	025-29583-000
Page 25, Item 8	Transducer, Discharge 0-400 PSI	025-29139-001
Page 25, Item 15	Valve, Capacity Control	025-33205-000
Page 25, Item 19	Suppressor	031-01117-000
Page 8, Item 1	Fan Motor	See Table 3
Page 8, Item 2	Fan Blade	See Table 3
Page 22, Item 1	Oil filter cartridge	026-35601-000
Page 22, Item 2	O-ring for above filter	028-13849-000
Page 22, Item 3	York Type L oil, POE, 5 gal.*	011-00592-000
Page 38-45, Item 3	Motor Protector Module	024-30907-000

* Type L oil is used with both R-22 and R-407C refrigerants.

- Chiller Paint, 12 oz. Spray
TAJ3721037 Desert Tan

YORK SERVICE OFFICES (NORTH AMERICA)

ALABAMA

Birmingham
YORK International Corp.
(205) 987-0458

ARIZONA

Phoenix
YORK International Corp.
(602) 220-9400

CALIFORNIA

Los Angeles
YORK International Corp.
(714) 897-0997
San Francisco
YORK International Corp.
(510) 426-1166

COLORADO

Denver
YORK International Corp.
(303) 649-1500

CONNECTICUT

Danbury
YORK International Corp.
(203) 730-8100

FLORIDA

Miami
YORK International Corp.
(305) 389-9675
Tampa
YORK International Corp.
(381) 621-1323
Orlando
YORK International Corp.
(407) 444-2261

GEORGIA

Atlanta
YORK International Corp.
(404) 925-0346

HAWAII

Honolulu
YORK International Corp.
(808) 596-0761

ILLINOIS

Chicago
YORK International Corp.
(708) 520-1910

INDIANA

Indianapolis
YORK International Corp.
(317) 595-3050

KENTUCKY

Louisville
YORK International Corp.
(502) 499-6020

LOUISIANA

New Orleans
YORK International Corp.
(504) 464-6941

MARYLAND

Baltimore/Washington
YORK International Corp.
(410) 720-6383

MASSACHUSETTS

Boston
YORK International Corp.
(781) 769-7950

MICHIGAN

Detroit
YORK International Corp.
(810) 689-7277

MINNESOTA

Minneapolis
YORK International Corp.
(612) 780-4446

MISSOURI

Kansas City
YORK International Corp.
(816) 221-9675
St. Louis
YORK International Corp.
(314) 770-0909

NEW JERSEY

Newark
YORK International Corp.
(908) 225-0606

NEVADA

Las Vegas
YORK International Corp.
(702) 873-2200

NEW YORK

Buffalo
YORK International Corp.
(716) 633-2172
New York
YORK International Corp.
(212) 843-1602

NORTH CAROLINA

Charlotte
YORK International Corp.
(704) 598-0000
Greensboro
YORK International Corp.
(336) 299-9675
Raleigh
YORK International Corp.
(919) 829-1700

OHIO

Cincinnati
YORK International Corp.
(513) 489-8871
Cleveland
YORK International Corp.
(216) 447-0696
Columbus
YORK International Corp.
(614) 841-5242

PENNSYLVANIA

Philadelphia
YORK International Corp.
(610) 640-2320
Pittsburgh
YORK International Corp.
(412) 364-6600
York (HQ)
YORK International Corp.
(717) 771-6561

SOUTH CAROLINA

Greenville
YORK International Corp.
(803) 297-4822

TENNESSEE

Kingsport
YORK International Corp.
(615) 349-2450
Nashville
YORK International Corp.
(615) 833-9675

TEXAS

Austin
YORK International Corp.
(512) 458-4575
Dallas
YORK International Corp.
(214) 241-1219
Houston
YORK International Corp.
(713) 782-5200
San Antonio
YORK International Corp.
(210) 496-6631

UTAH

Salt Lake City
YORK International Corp.
(801) 261-1200

VIRGINIA

Richmond
YORK International Corp.
(804) 359-2600
Newport News
YORK International Corp.
(804) 873-0362

WASHINGTON

Seattle
YORK International Corp.
(206) 251-9145

CANADA **Ottawa, Ontario** **Toronto, Ontario** **Laval, Quebec**
(613) 596-9111 (905) 890-6812 (514) 387-6000

YORK Applied Systems field office listing subject to change.

See us on the web at <http://www.york.com> for additional information.



Proud Sponsor
of the 2000
U.S. Olympic Team

36USC380