 <b>YORK</b> <sup>®</sup> BY JOHNSON CONTROLS	Form: 150.67-RP1 (LS01)	209
	New Release	
LITERATURE SUPPLEMENT	File with: 150.67-RP1 (608)	
Subject: Revised CONDENSER COILS table information (Table 2A, Page 9).		

**MODELS YCAL0019, 0022, 0028, 0033, 0043, 0046,  
0052, 0056, AND YCAL0066 STYLE "E"**



50091

Revised CONDENSER COILS table information (Table 2A, Page 9).

NOTE: The pages contained within this supplement may be substituted for pages in 150.67-RP1 (608).

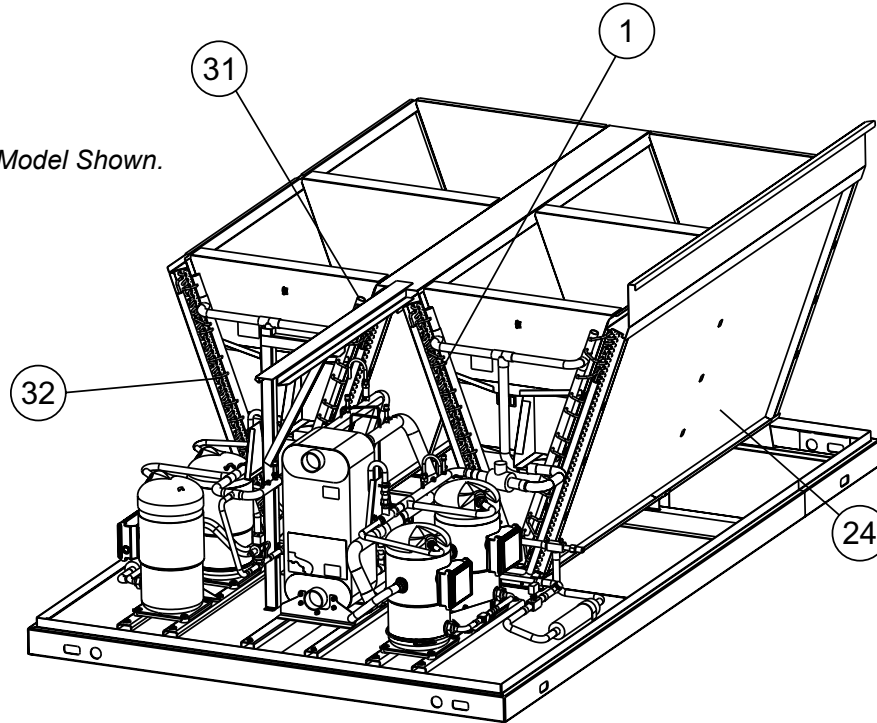


200-3-60  
 230-3-60  
 315-3-60  
 380/415-50  
 460-3-60  
 575-3-60  
 MODELS ONLY

*This page intentionally left blank*

# CONDENSER COIL COMPONENTS (CONT'D)

**\*Note:** Dual Circuit Model Shown.



Condenser

LD12477b

**FIG. 2A – CONDENSER COIL LAYOUT (REF. TABLE 2A)**

**TABLE 2A – CONDENSER COIL COMPONENTS (SEE FIG. 2A)**

ITEM NUMBER	DESCRIPTION	QTY	YCAL0043 and YCAL0046	YCAL0052 and YCAL0056	YCAL0066
<b>ALUMINUM FIN COILS</b>					
1	Coil Module*	1	375-58294-206	375-58294-401	375-58294-501
24		1	375-58294-205	375-58294-402	375-58294-502
31		1	375-58294-201	375-58294-404	375-58294-506
32		1	375-58294-202	375-58294-403	375-58294-505
<b>COPPER COILS</b>					
1	Coil Module*	1	375-58294-216	375-58294-411	375-58294-511
24		1	375-58294-215	375-58294-412	375-58294-512
31		1	375-58294-211	375-58294-414	375-58294-516
32		1	375-58294-212	375-58294-413	375-58294-515
<b>BLACK FIN COILS</b>					
1	Coil Module*	1	375-58294-226	375-58294-421	375-58294-521
24		1	375-58294-225	375-58294-422	375-58294-522
31		1	375-58294-221	375-58294-424	375-58294-526
32		1	375-58294-222	375-58294-423	375-58294-525
<b>PHENOLIC COILS</b>					
1	Coil Module*	1	375-58294-236	375-58294-431	375-58294-531
24		1	375-58294-235	375-58294-432	375-58294-532
31		1	375-58294-231	375-58294-434	375-58294-536
32		1	375-58294-232	375-58294-433	375-58294-535

**\*Note:** Coil Module includes coil and headers.

