



BY JOHNSON CONTROLS

LITERATURE SUPPLEMENT

Form Number: 150.62-NM8 (LS01)

709

Supersedes: None

File with: 150.62-NM8 (1108)

Subject: Condenser Fan Control, 6 Fan, Corrected Model Numbers

Add corrected fan Information to 150.62-NM8 (1108), Page109

FORM 150.62-NM8 (1108)

CONDENSER FAN CONTROL - YCAL0090 – YCAL0104

**CONDENSER FAN CONTROL
(YCAL0090 – YCAL0104 CHILLERS)**

Condenser fan control on models YCAL0090 – YCAL0104 will always be by discharge pressure. The on pressure and the differential off pressure are programmable under the PROGRAM key.

The following Figures and Tables outline fan sequencing for the various models. These models are equipped to operate to 0°F ambient as a standard.

TABLE 30 – YCAL0090 - YCAL0104 CONDENSER FAN CONTROL

FAN STAGE	ON	OFF	CONTACTOR		I/O BOARD OUTPUT		FAN #	
			SYS 1	SYS 2	SYS 1	SYS 2	SYS 1	SYS 2
1 1 FAN FWD	DP > Fan Ctrl On Press	DP < Fan Ctrl On Press – (Diff. Press.)	10M	14M	TB7-8	TB10-8	7	8
2 2 FANS FWD	DP > Fan Ctrl On Press + 20 PSIG (1.38 Bars)	DP < Fan Ctrl On Press.) – [(Diff Press.) + 20 PSIG (1.38 Bars)]	9M & 10M	13M & 14M	TB7-8 & TB7-9	TB10-8 & TB10-9	5 & 7	6 & 8
3 3 FANS FWD	DP > Fan Ctrl On Press + 40 PSIG (2.76 Bars)	DP < Fan Ctrl On Press.) – [(Diff Press.) + 40 PSIG (2.76 Bars)]	8M, 9M & 10M	12M, 13M & 14M	TB7-8, TB7-9 & TB7-10	TB10-8, TB10-9 & TB10-10	3, 5 & 7	4, 6 & 8

2

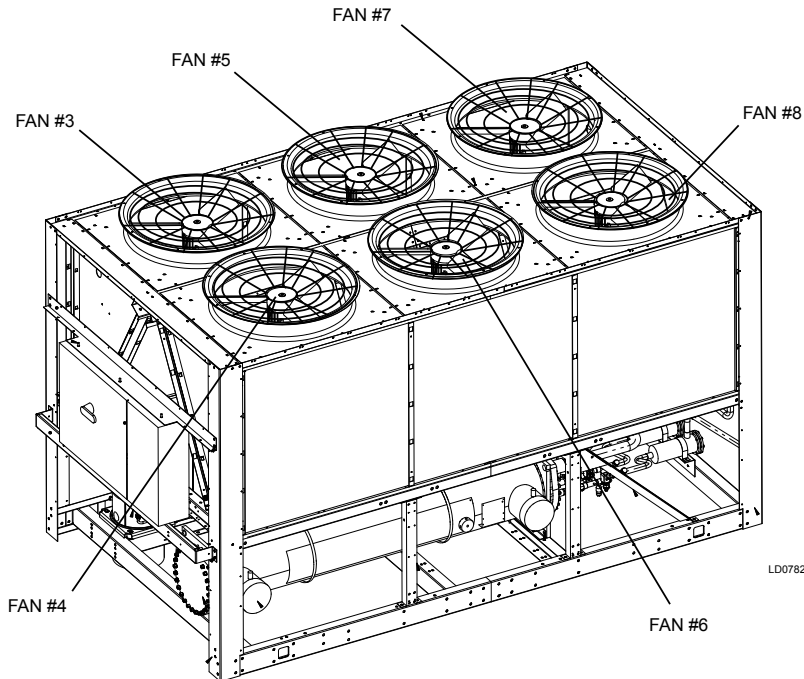


FIG. 10 – YCAL0090 – YCAL0104 FAN LOCATION

JOHNSON CONTROLS

109

