

**TRIAO**  
CONTROLS  
A Division of A-T Controls, Inc.



**SERIES 33/43/53** Multi-Port

# Series 33/43/53

**3, 4, 5-Way  
Direct Mount  
Multi-Port Ball Valves  
1/4" - 4"**



This versatile, high performance multi-port ball valve offers solutions to mixing and diverting with various available flow patterns and end configurations. It can be maintained in-line, leaving the end pieces intact.

The direct mount design makes automation easier and maintains a lower profile. This valve features the pyramidal stem design that is so effective in other Triac valve series. There are a myriad of end piece and flow pattern combinations.

### ***Easy to Automate!***

See automated data sheets for pre-sized assemblies



***Electric***



***Pneumatic***

# **Series 33/43/53**

## **3, 4 & 5 Way Direct Mount Multi-Port Ball Valve**

**Sizes 1/4"– 4"**

**316SS**

**Threaded, Socket Weld and Butt Weld**

**150# Flanged and Sanitary Ends**

**"L", "T", "X", "I", Vertical "L",  
Vertical "T", "TT" and "LL" Ports**

**Full Port; Five Seat Design**

**Direct Mount ISO5211  
Mounting Pad**

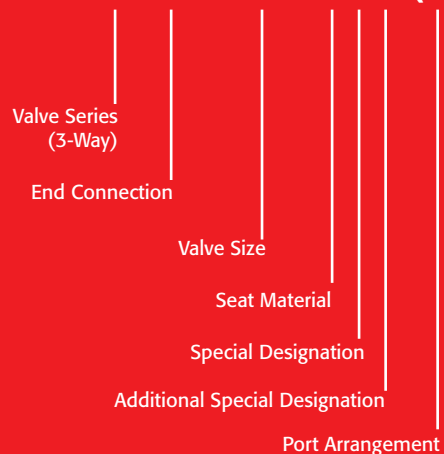
**Pyramidal Stem Design**

**90°, 180°, and 360° Rotation**

### **HOW TO ORDER MANUAL VALVES**

**SAMPLE PART #**

**33-TH-0150-XXX-(A)**



See part number matrix for itemized options

**Construction**

**Size Range**

**Pressure Rating**

**Valve Model and End Connections**

**Seat Construction**

**Ball Configuration**

**Valve Materials**

**Seat Materials**

**Valve Surface Finish**

**Inspection and Test**

**Compliance Standards**

**Test Certificate**

**CE Approval**

**NACE MR-01-75**

**Quality Control**

**Featuring  
State-of-the-Art  
Pyramidal Stem Seal  
Sealing System**

Five-Entry Construction, Full Port

1/4" to 4": Threaded, Socket Weld, Butt Weld Ends

1/2" to 4": Flanged Ends and Sanitary Ends

1/4" to 1": 1000 PSI, 1-1/4" to 2": 800 PSI, 2-1/2" to 3": 600 PSI,  
4": 300 PSI

**Available End Connections**

**SERIES 33 3-Way**

33-TH Threaded  
33-SW Socket Weld  
33-BW Butt Weld  
33-F1 ANSI Class 150 LB  
33-SA Sanitary Clamp  
33-SF Sanitary Cavity Filled

**SERIES 43 4-Way**

43-TH Threaded  
43-SW Socket Weld  
43-BW Butt Weld  
43-F1 ANSI Class 150 LB  
43-SA Sanitary Clamp  
43-SF Sanitary Cavity Filled

**SERIES 53 5-Way**

53-TH Threaded  
53-SW Socket Weld  
53-BW Butt Weld  
53-F1 ANSI Class 150 LB  
53-SA Sanitary Clamp  
53-SF Sanitary Cavity Filled

Five seat design for equal seat loading and positive sealing at any port

L-Port, T-Port, I-Port, TT-Double VT-Port, LL-Double VL-Port, X-Port

Standard: ASTM A351-CF8M-DIN1.4408

Standard RTFE

Options: PTFE, Carbon Filled PTFE, 50/50 PTFE + S.S., TFM 1600, MG1241, UHMWPE and others

Stainless Steel Valves; Treatments: Pickling, Passivation

API 598, BS6755 Part 1

ANSI B16.34, B16.5, B16.10; API 6D, 598; ISO 5211; DIN 3337, 50.049-3.1B  
MSS SP 25, SP 55; BS 21, BS 5351, 6755

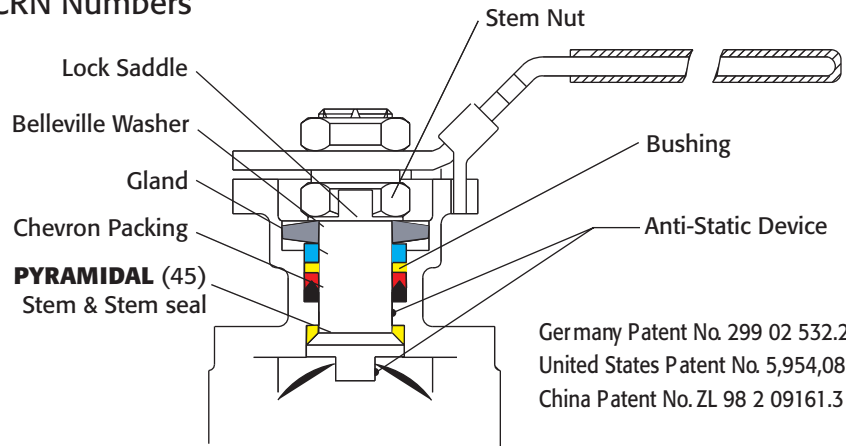
EN 10204 – DIN 50-049-3. 1B

PED 97/23/EC Module H

Optional

ISO 9001

CRN Numbers



**Series 33, 43 and 53 Direct Mount Multi-Port 3, 4 and 5-Way Ball Valves offer superior performance and reliability required to optimize manual and automation process performance.**



**Design Features**

**Dual Pattern ISO 5211 Mounting Pad with Square Shaft**

No bracket and adapter are required for actuator mounting, provides easy and low cost automation with improved cycle life

**5-Seat Construction**

For equal seat loading and positive sealing at any port, and maintain proper ball alignment

**5-Entry Construction**

**O-Ring Stem Seal**

Enhances stem wear and maintains stem alignment

**Anti-Static Device**

Standard applied stem-to-ball; stem-to-body

**Variety of End Connections Available for Options**

**Stem**

- Pyramidal stem packing arrangement provides optimum stem seal and extremely high cycle life
- Super smooth stem surface reduces seal friction and operating torque
- Blowout proof stem prevents stem from blowing out, for maximum safety

**Ball**

Precisely machined, mirror polished solid ball for bubble tight shut-off with less operating torque

**Seats**

Wide range of seat materials available to suit various applications



**PATENTED! Ball and Stem Connections**

Semi-Trunnion Ball Design produces a locked ball-to-stem connection offering a positive connection that effectively eliminates backlash and hysteresis. The stem connection ensures accurate, precise positioning of the ball and lower operating torque for better actuation.

**PATENTED!**

**End Cap design is separated from seat retainer in two-piece "Easy-to-Maintain" construction**



Designed to overcome the problem of conventional end cap design. End caps remove easily from valve body when valves are mounted in pipeline. Allows fast and easy replacement of gasket and seats. Lowers Life Cycle costs.

The conventional end cap and seat retainer was a one piece design that made the end caps extend into the valve body, creating a problem when repair and maintenance is required. It is very difficult to remove end caps from the valve body when valves are mounted in line, especially when welded... **not true with the Series 33, 43 and 53!**

**PATENTED!**

**Series 33, 43 and 53**

**5-Piece Design Cavity Filled Seats**

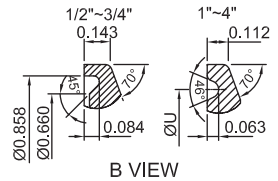
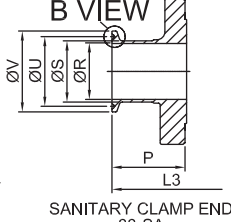
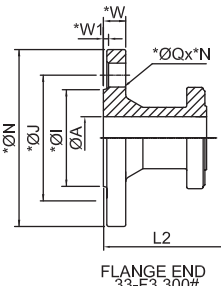
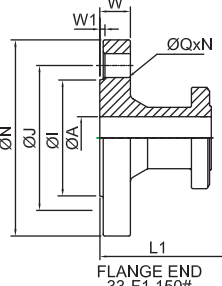
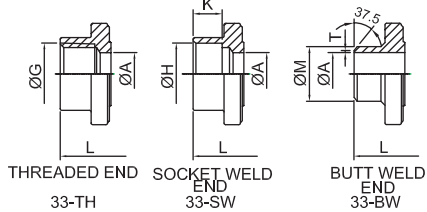
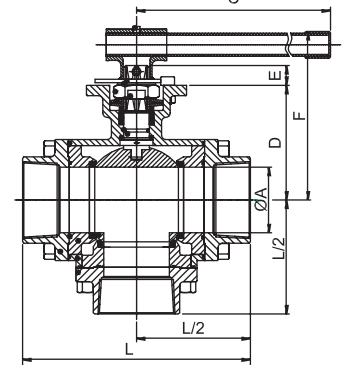
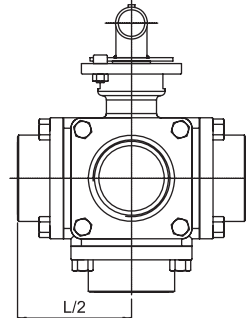
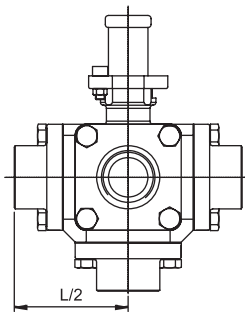
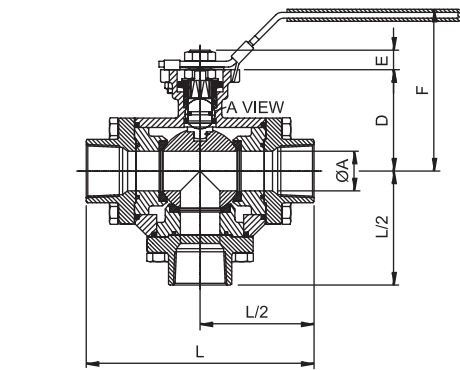
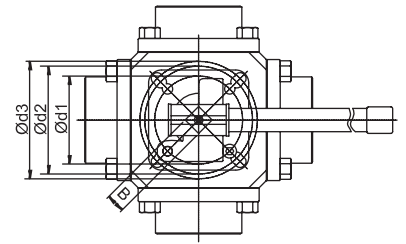
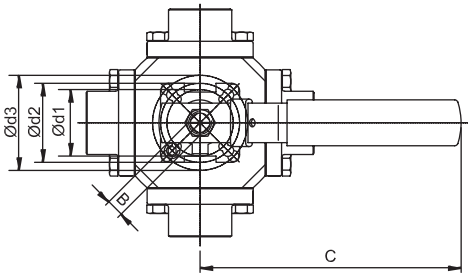


The cavity filled seats are designed to fill the dead space between the ball and valve body that can contaminate the process. Cavity filler seats fill 95% of the dead space while others' cavity filled seats of 3, 4 and 5-way ball valves can only fill a maximum of 80% of the dead space.

# 33, 43, 53 Series 3, 4, 5-Way 1/4"-4" Dimensional Drawing

1/4" - 2-1/2"

3" - 4"



PRESSURE:  
1/4"-1" - 1000 PSI  
1-1/4"-2" - 800 PSI  
2-1/2"-4" - 600 PSI

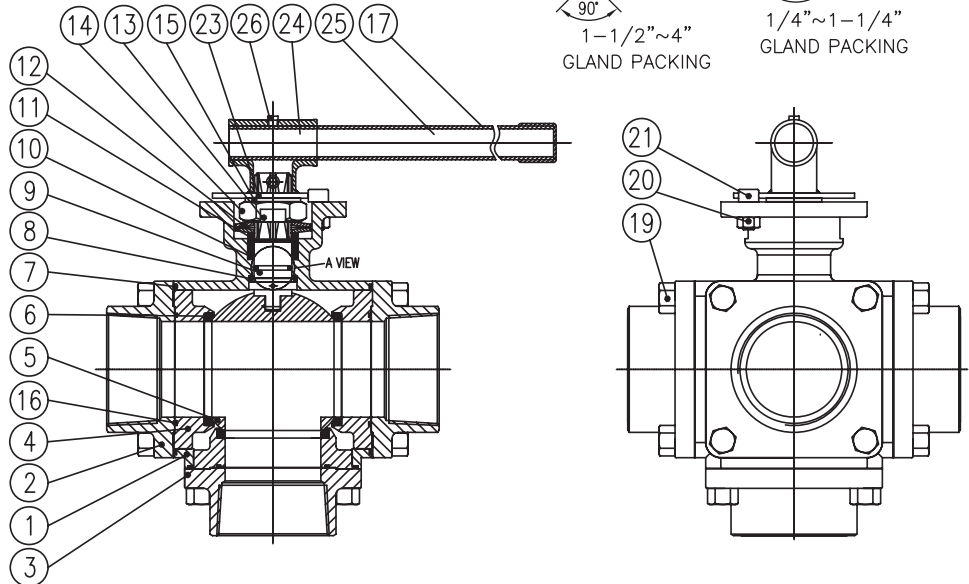
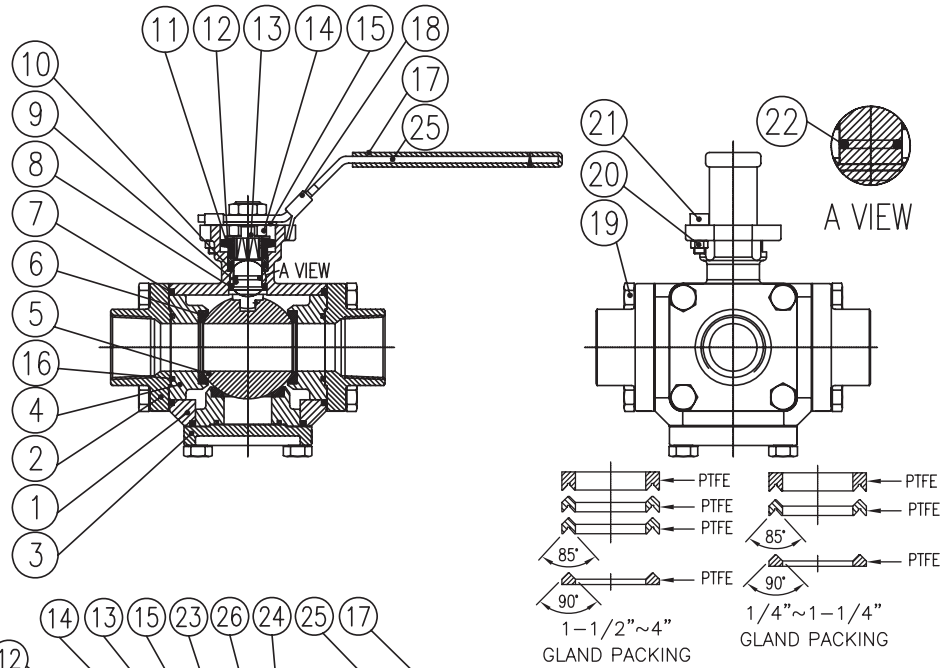
## ISO 5211 Mounting Pad DIMENSIONS (IN)

SIZE	ØA	B	C	D	E	F	Ød1	Ød2	Ød3	ØZ1	ØZ2	ØZ3	ISO 5211	1/4"-4" THREADED, SOCKET, & BUTT WELD						
														ØG	ØH	K	ØM	T	L	LBS.
1/4"	0.46	0.354	5.91	1.73	0.35	3.35	1.417	1.654	1.969	0.27	0.27	0.27	F03/F04/F05	1/4" NPT	0.56	0.39	0.64	0.06	3.62	3.09
3/8"	0.50	0.354	5.91	1.73	0.35	3.35	1.417	1.654	1.969	0.27	0.27	0.27	F03/F04/F05	3/8" NPT	0.69	0.39	0.69	0.06	3.62	3.09
1/2"	0.59	0.354	5.91	1.73	0.35	3.35	1.417	1.654	1.969	0.27	0.27	-	F03/F04/F05	1/2" NPT	0.86	0.39	0.89	0.06	3.62	3.09
3/4"	0.79	0.433	6.50	2.13	0.41	3.66	1.654	1.969	-	0.27	0.27	-	FO4/FO5	3/4" NPT	1.07	0.51	1.08	0.06	4.33	6.19
1"	0.98	0.433	10.35	2.52	0.41	4.25	1.654	1.969	4.016	0.27	0.27	0.35	F04/F05/F07	1" NPT	1.33	0.51	1.34	0.06	5.67	10.50
1 1/4"	1.26	0.551	10.35	3.09	0.51	5.00	1.969	2.756	-	0.27	0.35	-	FO5/FO7	1 1/4" NPT	1.68	0.51	1.68	0.06	5.75	12.68
1 1/2"	1.50	0.748	10.35	3.74	0.71	5.98	2.756	4.016	-	0.39	0.47	-	FO7/F10	1 1/2" NPT	1.93	0.51	1.91	0.06	6.46	23.28
2"	1.97	0.748	12.32	4.00	0.71	6.26	2.756	4.016	-	0.39	0.47	-	FO7/F10	2" NPT	2.41	0.63	2.38	0.06	7.24	29.58
2 1/2"	2.56	0.748	13.54	4.72	0.71	6.97	2.756	4.016	-	0.39	0.47	-	FO7/F10	2 1/2" NPT	3.03	0.63	3.00	0.08	9.29	46.98
3"	2.99	0.866	12.48	5.23	0.91	7.68	4.016	4.921	-	0.47	0.55	-	F10/F12	3" NPT	3.54	0.63	3.54	0.08	10.43	63.60
4"	3.94	0.866	20.08	6.46	0.91	8.90	4.016	4.921	-	0.47	0.55	-	F10/F12	4" NPT	4.55	0.79	4.57	0.14	12.60	126.79

SIZE	1/2"-4" FLANGE END 150LBS							1/2"-4" FLANGE END 300LBS							1/2"-4" SANITARY CLAMP END						
	ØJ	ØN	ØQ	N	W1	W	L1	*ØI	*ØN	*ØJ	*ØQ	*N	*W1	*W	L2	ØR	ØS	ØU	ØV	P	L3
1/4"	-	-	-	-	-	-	-	-	-	-	-	-	-	-	-	-	-	-	-	-	-
3/8"	-	-	-	-	-	-	-	-	-	-	-	-	-	-	-	-	-	-	-	-	-
1/2"	1.38	2.38	3.50	0.63	4	0.06	0.44	5.91	1.38	3.75	2.62	0.63	4	0.06	0.56	6.30	0.37	0.50	0.99	1.17	4.33
3/4"	1.69	2.75	3.88	0.63	4	0.06	0.44	6.89	1.69	4.62	3.25	0.75	4	0.06	0.62	7.48	0.62	0.75	1.00	1.44	5.51
1"	2.00	3.12	4.25	0.63	4	0.06	0.44	8.07	2.00	4.88	3.50	0.75	4	0.06	0.69	8.46	0.87	1.00	1.71	1.98	6.30
1 1/4"	-	-	-	-	-	-	-	-	-	-	-	-	-	-	-	-	-	-	-	-	-
1 1/2"	2.88	3.88	5.00	0.63	4	0.06	0.56	10.04	2.88	6.12	4.50	0.87	4	0.06	0.81	10.63	1.37	1.50	1.71	1.99	7.87
2"	3.62	4.75	6.00	0.75	4	0.06	0.63	11.02	3.62	6.50	5.00	0.75	8	0.06	0.88	11.42	1.87	2.00	2.20	2.52	8.66
2 1/2"	4.12	5.50	7.00	0.75	4	0.06	0.69	12.80	4.12	7.50	5.88	0.87	8	0.06	1.00	13.39	2.37	2.50	2.78	3.05	9.45
3"	5.00	6.00	7.50	0.75	4	0.06	0.75	13.58	5.00	8.25	6.62	0.87	8	0.06	1.12	14.17	2.87	3.00	3.28	3.58	10.43
4"	6.19	7.50	9.00	0.75	8	0.06	0.94	15.98	6.19	10.00	7.88	0.87	8	0.06	1.25	16.54	3.83	4.00	4.34	4.68	12.60

\* WEIGHT IS FOR A THREE WAY THREADED END

**Bill of Materials for 33, 43, 53**

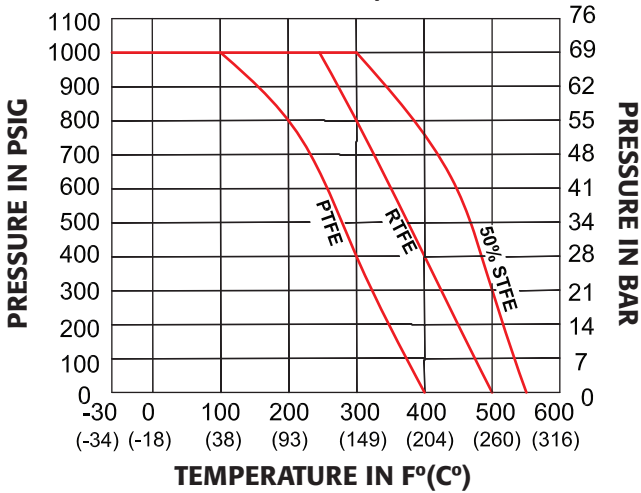


NO.	PART NAME	QTY	STAINLESS STEEL	CARBON STEEL
1	BODY	1	CF8M	A216 GR. WCB
2	END CAP-A	5	CF8M	A216 GR. WCB
3	END CAP-B	0	CF8M	A216 GR. WCB
4	SEAT RETAINER	5	CF8M	CF8M
5	BALL	1	SS316	SS316
6	SEAT	5	RTFE	RTFE
7	JOINT GASKET	5	PTFE	PTFE
8	STEM SEAL	1	PTFE	PTFE
9	STEM	1	SS316	SS316
10	GLAND PACKING	1SET	PTFE	PTFE
11	GLAND BUSH	1	SS304	SS304
12	BELLEVILLE WASHER	2	SS301	SS301
13	STOP WASHER	1	SS304	SS304
14	STEM NUT	2	SS304	SS304
15	STEM WASHER	1	SS304	SS304
16	RETAINER SEAL	5	PTFE	PTFE
17	HANDLE SLEEVE	1	VINYL	VINYL
18	LOCKING DEVICE	1	SS304	SS304
19	BOLT	20	SS304	SS304
20	PIN NUT	1	SS304	SS304
21	STOP PIN	1	SS304	SS304
22	O-RING	1	VITON	VITON
23	LOCKING PLATE	1	SS304	SS304
24	HANDLE-A	1	SS304	SS304
25	HANDLE-B	1	SS304	SS304
26	HANDLE NUT	1	SS304	SS304

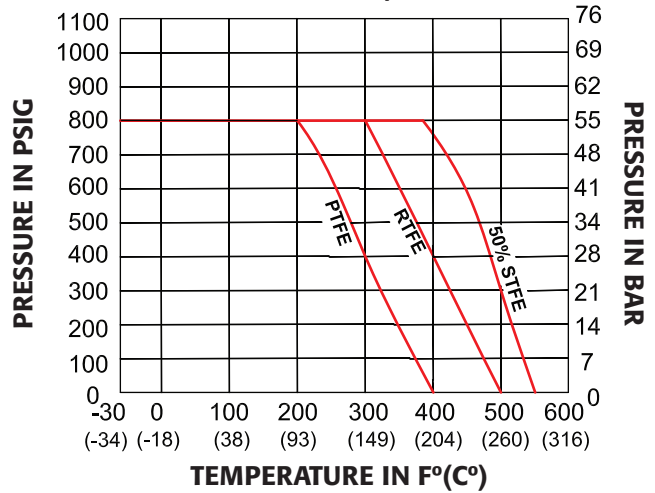
\*Other seats optional, see page 2

# Data Specifications

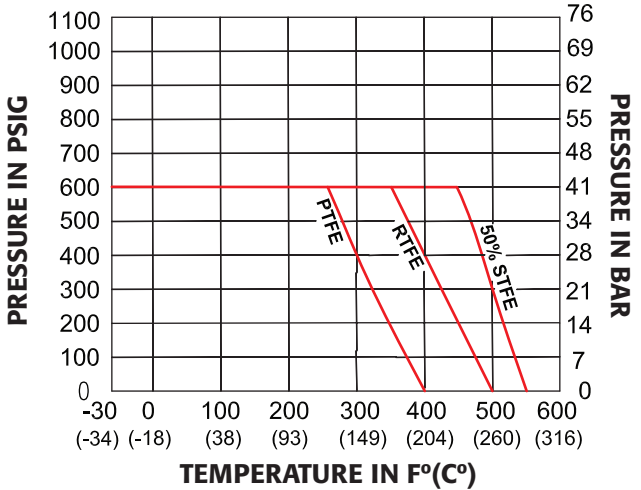
**PRESSURE VS. TEMPERATURE FOR VALVE 1/4" – 1"**



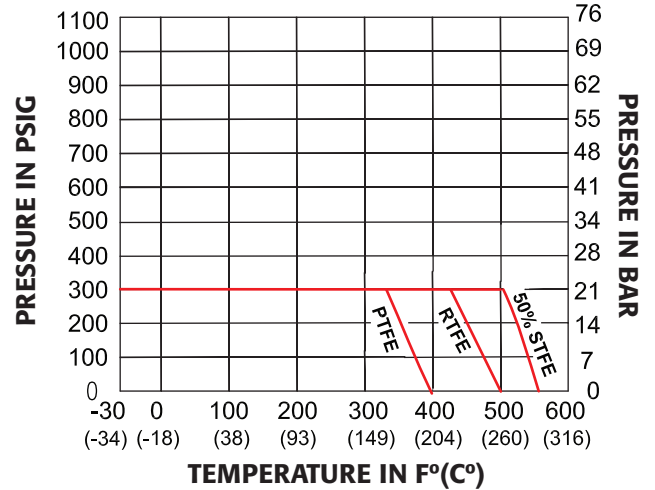
**PRESSURE VS. TEMPERATURE FOR VALVE 1-1/4" – 2"**



**PRESSURE VS. TEMPERATURE FOR VALVE 2-1/2" – 3"**



**PRESSURE VS. TEMPERATURE FOR VALVE 4"**



Valve Size	Cv Flow Coefficients					
	L-Port	T-Port Through	T-Port Branch	LL-Port Horizontal	LL-Port Vertical	VL-Port
1/4"	4	7	4	3	3	4
3/8"	5	9	4	4	4	5
1/2"	6	10	5	6	5	6
3/4"	16	21	13	15	13	16
1"	31	36	22	27	30	31
1-1/4"	32	58	25	28	33	32
1-1/2"	75	90	55	65	75	75
2"	140	175	100	120	145	140
2-1/2"	210	235	149	175	220	210
3"	375	450	270	300	375	375
4"	670	800	475	353	675	670

BREAK AWAY TORQUES	
Valve Size Inches	RTFE-Seats IN-lbs
1/4"	91
3/8"	91
1/2"	91
3/4"	195
1"	414
1-1/4"	483
1-1/2"	780
2"	1079
2-1/2"	1547
3"	2275
4"	2860

## Flow Patterns for 3-Way (33 Series)

PORT	Arrangement	POSITION			
		1	2	3	4
L	Arrangement L				
LL	Arrangement M	TOP VIEW			
		FRONT VIEW			
LL	Arrangement N	TOP VIEW			
		FRONT VIEW			
VL	Arrangement O	TOP VIEW			
		FRONT VIEW			
VL	Arrangement P	TOP VIEW			
		FRONT VIEW			

PORT	Arrangement	POSITION			
		1	2	3	4
T	Arrangement T				
TT	Arrangement U	TOP VIEW			
		FRONT VIEW			
TT	Arrangement S	TOP VIEW			
		FRONT VIEW			
VT	Arrangement V	TOP VIEW			
		FRONT VIEW			
VT	Arrangement W	TOP VIEW			
		FRONT VIEW			

## Flow Patterns for 4-Way (43 Series)

PORT	Arrangement	POSITION			
		1	2	3	4
I	Arrangement I				
L	Arrangement L				
LL	Arrangement M	TOP VIEW			
		FRONT VIEW			
VL	Arrangement O	TOP VIEW			
		FRONT VIEW			

PORT	Arrangement	POSITION			
		1	2	3	4
T	Arrangement T				
TT	Arrangement U	TOP VIEW			
		FRONT VIEW			
VT	Arrangement V	TOP VIEW			
		FRONT VIEW			
X	Arrangement X				



# Flow Patterns for 5-Way (53 Series)

PORT	Arrangement	POSITION			
		1	2	3	4
LL	TOP VIEW Arrangement M				
	FRONT VIEW				
VL	TOP VIEW Arrangement O				
	FRONT VIEW				

PORT	Arrangement	POSITION			
		1	2	3	4
TT	TOP VIEW Arrangement U				
	FRONT VIEW				
VT	TOP VIEW Arrangement V				
	FRONT VIEW				

### When ordering:

Specify arrangement in part number, then specify position for deenergized/energized position

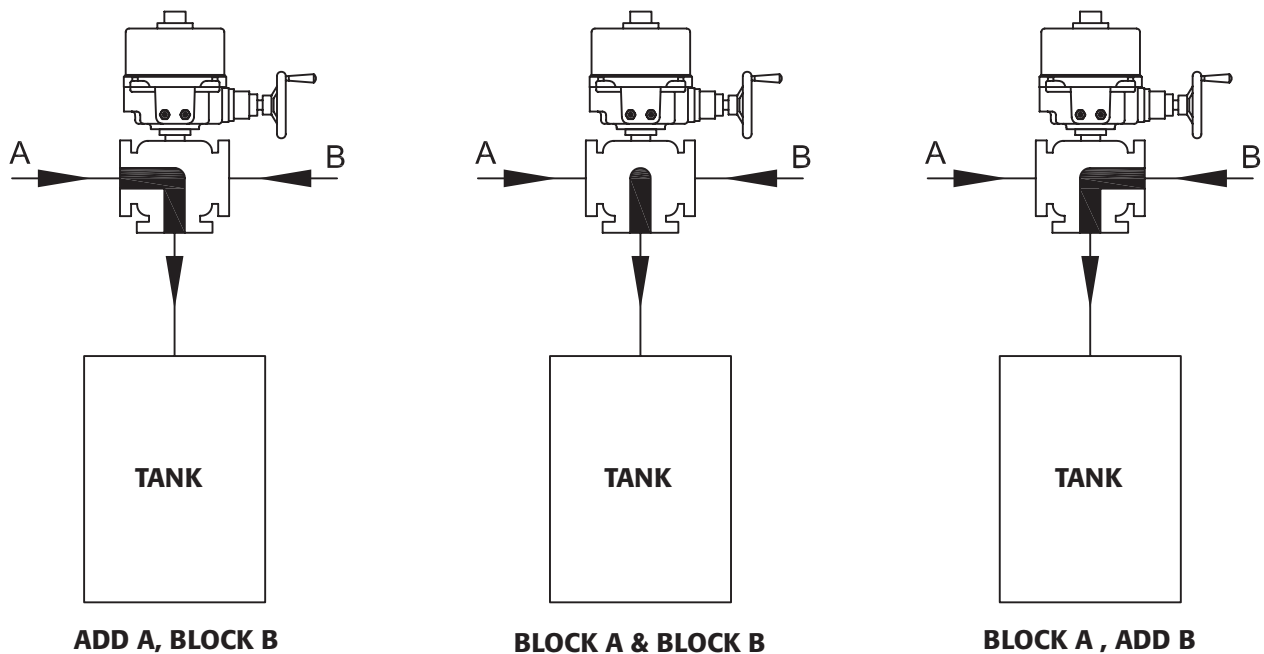
### Ordering Example:

1) 33-F1-300/2R7S-AA-M, Position 2 (Deenergized) to Position 1 (Energized), 3" 3-Way 150# Flange "LL-Port" Arrangement M, Valve fails to right port w/ solenoid and limit switch

2) 33-F1-200/TEE2-BX-O, 2" 3-Way, 180° Vertical "L-Port" Arrangement O, w/3-Position Electric Actuator, 120VAC - See Figure 1

### Vertical "L" Flow Example

FIGURE 1



3-POSITION 3-WAY BALL VALVE WITH VERTICAL L-PORT (ARRANGEMENT O)

# Series 33

## Threaded, Socket Weld and Butt Weld

### Automated Model number

#### 3-Way Double Acting

80 psi	
Size	Model #
1/4"	33-TX-025/TR1D-XX-(A)
3/8"	33-TX-038/TR1D-XX-(A)
1/2"	33-TX-050/TR1D-XX-(A)
3/4"	33-TX-075/2R2D-XX-(A)
1"	33-TX-100/2R2D-XX-(A)
1 1/4"	33-TX-125/2R3D-XX-(A)
1 1/2"	33-TX-150/2R4D-XX-(A)
2"	33-TX-200/2R5D-XX-(A)
2 1/2"	33-TX-250/2R5D-XX-(A)
3"	33-TX-300/2R6D-XX-(A)
4"	33-TX-400/2R7D-XX-(A)

60 psi	
Size	Model #
1/4"	33-TX-025/2R2D-XX-(A)
3/8"	33-TX-038/2R2D-XX-(A)
1/2"	33-TX-050/2R2D-XX-(A)
3/4"	33-TX-075/2R3D-XX-(A)
1"	33-TX-100/2R3D-XX-(A)
1 1/4"	33-TX-125/2R4D-XX-(A)
1 1/2"	33-TX-150/2R4D-XX-(A)
2"	33-TX-200/2R5D-XX-(A)
2 1/2"	33-TX-250/2R6D-XX-(A)
3"	33-TX-300/2R7D-XX-(A)
4"	33-TX-400/2R8D-XX-(A)

#### 3-Way Spring Return

80 psi	
Size	Model #
1/4"	33-TX-025/2R2S-XX-(A)
3/8"	33-TX-038/2R2S-XX-(A)
1/2"	33-TX-050/2R2S-XX-(A)
3/4"	33-TX-075/2R3S-XX-(A)
1"	33-TX-100/2R3S-XX-(A)
1 1/4"	33-TX-125/2R4S-XX-(A)
1 1/2"	33-TX-150/2R5S-XX-(A)
2"	33-TX-200/2R6S-XX-(A)
2 1/2"	33-TX-250/2R6S-XX-(A)
3"	33-TX-300/2R7S-XX-(A)
4"	33-TX-400/2R9S-XX-(A)

60 psi	
Size	Model #
1/4"	33-TX-025/2R3S-XX-(A)
3/8"	33-TX-038/2R3S-XX-(A)
1/2"	33-TX-050/2R3S-XX-(A)
3/4"	33-TX-075/2R4S-XX-(A)
1"	33-TX-100/2R4S-XX-(A)
1 1/4"	33-TX-125/2R5S-XX-(A)
1 1/2"	33-TX-150/2R6S-XX-(A)
2"	33-TX-200/2R7S-XX-(A)
2 1/2"	33-TX-250/2R7S-XX-(A)
3"	33-TX-300/2R8S-XX-(A)
4"	33-TX-400/2R0S-XX-(A)

#### 3-Way Electric

On-Off	
Size	Model #
1/4"	33-TX-025/WEA1-XX-(A)
3/8"	33-TX-038/WEA1-XX-(A)
1/2"	33-TX-050/WEA1-XX-(A)
3/4"	33-TX-075/WEA1-XX-(A)
1"	33-TX-100/WEA1-XX-(A)
1 1/4"	33-TX-125/WEB1-XX-(A)
1 1/2"	33-TX-150/WEC1-XX-(A)
2"	33-TX-200/WED1-XX-(A)
2 1/2"	33-TX-250/WEE1-XX-(A)
3"	33-TX-300/WEE1-XX-(A)
4"	33-TX-400/WEF1-XX-(A)

Modulating	
Size	Model #
1/4"	33-TX-025/WEA2-XX-(A)
3/8"	33-TX-038/WEA2-XX-(A)
1/2"	33-TX-050/WEA2-XX-(A)
3/4"	33-TX-075/WEA2-XX-(A)
1"	33-TX-100/WEA2-XX-(A)
1 1/4"	33-TX-125/WEB2-XX-(A)
1 1/2"	33-TX-250/WEC2-XX-(A)
2"	33-TX-200/WED2-XX-(A)
2 1/2"	33-TX-250/WEE2-XX-(A)
3"	33-TX-300/WEE2-XX-(A)
4"	33-TX-400/WEF2-XX-(A)

# Series 33

## 150# Flanged

### Automated Model number

#### 3-Way Double Acting

80 psi	
Size	Model #
1/4"	NA
3/8"	NA
1/2"	33-F1-050/TR1D-XX-(A)
3/4"	33-F1-075/2R2D-XX-(A)
1"	33-F1-100/2R2D-XX-(A)
1 1/4"	NA
1 1/2"	33-F1-150/2R4D-XX-(A)
2"	33-F1-200/2R5D-XX-(A)
2 1/2"	33-F1-250/2R5D-XX-(A)
3"	33-F1-300/2R6D-XX-(A)
4"	33-F1-400/2R7D-XX-(A)

60 psi	
Size	Model #
1/4"	NA
3/8"	NA
1/2"	33-F1-050/2R2D-XX-(A)
3/4"	33-F1-075/2R3D-XX-(A)
1"	33-F1-100/2R3D-XX-(A)
1 1/4"	NA
1 1/2"	33-F1-150/2R4D-XX-(A)
2"	33-F1-200/2R5D-XX-(A)
2 1/2"	33-F1-250/2R6D-XX-(A)
3"	33-F1-300/2R7D-XX-(A)
4"	33-F1-400/2R8D-XX-(A)

#### 3-Way Spring Return

80 psi	
Size	Model #
1/4"	NA
3/8"	NA
1/2"	33-F1-050/2R2S-XX-(A)
3/4"	33-F1-075/2R3S-XX-(A)
1"	33-F1-100/2R3S-XX-(A)
1 1/4"	NA
1 1/2"	33-F1-150/2R5S-XX-(A)
2"	33-F1-200/2R6S-XX-(A)
2 1/2"	33-F1-250/2R6S-XX-(A)
3"	33-F1-300/2R7S-XX-(A)
4"	33-F1-400/2R9S-XX-(A)

60 psi	
Size	Model #
1/4"	NA
3/8"	NA
1/2"	33-F1-050/2R3S-XX-(A)
3/4"	33-F1-075/2R4S-XX-(A)
1"	33-F1-100/2R4S-XX-(A)
1 1/4"	NA
1 1/2"	33-F1-150/2R6S-XX-(A)
2"	33-F1-200/2R7S-XX-(A)
2 1/2"	33-F1-250/2R7S-XX-(A)
3"	33-F1-300/2R8S-XX-(A)
4"	33-F1-400/2R0S-XX-(A)

#### 3-Way Electric

On-Off	
Size	Model #
1/4"	NA
3/8"	NA
1/2"	33-F1-050/WEA1-XX-(A)
3/4"	33-F1-075/WEA1-XX-(A)
1"	33-F1-100/WEA1-XX-(A)
1 1/4"	NA
1 1/2"	33-F1-150/WEC1-XX-(A)
2"	33-F1-200/WED1-XX-(A)
2 1/2"	33-F1-250/WEE1-XX-(A)
3"	33-F1-300/WEE1-XX-(A)
4"	33-F1-400/WEF1-XX-(A)

Modulating	
Size	Model #
1/4"	NA
3/8"	NA
1/2"	33-F1-050/WEA2-XX-(A)
3/4"	33-F1-075/WEA2-XX-(A)
1"	33-F1-100/WEA2-XX-(A)
1 1/4"	NA
1 1/2"	33-F1-250/WEC2-XX-(A)
2"	33-F1-200/WED2-XX-(A)
2 1/2"	33-F1-250/WEE-XX-(A)
3"	33-F1-300/WEE2-XX-(A)
4"	33-F1-400/WEF2-XX-(A)

# Series 33

## Non-Cavity Filled Sanitary

### Automated Model number

#### 3-Way Double Acting

80 psi	
Size	Model #
1/4"	NA
3/8"	NA
1/2"	33-C1-050/TR1D-XX-(A)
3/4"	33-C1-075/2R2D-XX-(A)
1"	33-C1-100/2R2D-XX-(A)
1 1/4"	NA
1 1/2"	33-C1-150/2R4D-XX-(A)
2"	33-C1-200/2R5D-XX-(A)
2 1/2"	33-C1-250/2R5D-XX-(A)
3"	33-C1-300/2R6D-XX-(A)
4"	33-C1-400/2R7D-XX-(A)

60 psi	
Size	Model #
1/4"	NA
3/8"	NA
1/2"	33-C1-050/2R2D-XX-(A)
3/4"	33-C1-075/2R3D-XX-(A)
1"	33-C1-100/2R3D-XX-(A)
1 1/4"	NA
1 1/2"	33-C1-150/2R4D-XX-(A)
2"	33-C1-200/2R5D-XX-(A)
2 1/2"	33-C1-250/2R6D-XX-(A)
3"	33-C1-300/2R7D-XX-(A)
4"	33-C1-400/2R8D-XX-(A)

#### 3-Way Spring Return

80 psi	
Size	Model #
1/4"	NA
3/8"	NA
1/2"	33-C1-050/2R2S-XX-(A)
3/4"	33-C1-075/2R3S-XX-(A)
1"	33-C1-100/2R3S-XX-(A)
1 1/4"	NA
1 1/2"	33-C1-150/2R5S-XX-(A)
2"	33-C1-200/2R6S-XX-(A)
2 1/2"	33-C1-250/2R6S-XX-(A)
3"	33-C1-300/2R7S-XX-(A)
4"	33-C1-400/2R9S-XX-(A)

60 psi	
Size	Model #
1/4"	NA
3/8"	NA
1/2"	33-C1-050/2R3S-XX-(A)
3/4"	33-C1-075/2R4S-XX-(A)
1"	33-C1-100/2R4S-XX-(A)
1 1/4"	NA
1 1/2"	33-C1-150/2R6S-XX-(A)
2"	33-C1-200/2R7S-XX-(A)
2 1/2"	33-C1-250/2R7S-XX-(A)
3"	33-C1-300/2R8S-XX-(A)
4"	33-C1-400/2R0S-XX-(A)

#### 3-Way Electric

On-Off	
Size	Model #
1/4"	NA
3/8"	NA
1/2"	33-C1-050/WEA1-XX-(A)
3/4"	33-C1-075/WEA1-XX-(A)
1"	33-C1-100/WEA1-XX-(A)
1 1/4"	NA
1 1/2"	33-C1-150/WEC1-XX-(A)
2"	33-C1-200/WED1-XX-(A)
2 1/2"	33-C1-250/WEE1-XX-(A)
3"	33-C1-300/WEE1-XX-(A)
4"	33-C1-400/WEF1-XX-(A)

Modulating	
Size	Model #
1/4"	NA
3/8"	NA
1/2"	33-C1-050/WEA2-XX-(A)
3/4"	33-C1-075/WEA2-XX-(A)
1"	33-C1-100/WEA2-XX-(A)
1 1/4"	NA
1 1/2"	33-C1-250/WEC2-XX-(A)
2"	33-C1-200/WED2-XX-(A)
2 1/2"	33-C1-250/WEE2-XX-(A)
3"	33-C1-300/WEE2-XX-(A)
4"	33-C1-400/WEF2-XX-(A)

# Series 33

## Cavity Filled Threaded, Socket Weld and Butt Weld

### Automated Model number

#### 3-Way Double Acting

80 psi	
Size	Model #
1/4"	33-TF-025/2R2D-XX-(A)
3/8"	33-TF-038/2R2D-XX-(A)
1/2"	33-TF-050/2R2D-XX-(A)
3/4"	33-TF-075/2R3D-XX-(A)
1"	33-TF-100/2R3D-XX-(A)
1 1/4"	NA
1 1/2"	33-TF-150/2R5D-XX-(A)
2"	33-TF-200/2R6D-XX-(A)
2 1/2"	33-TF-250/2R6D-XX-(A)
3"	33-TF-300/2R7D-XX-(A)
4"	33-TF-400/2R8D-XX-(A)

60 psi	
Size	Model #
1/4"	CF
3/8"	CF
1/2"	CF
3/4"	CF
1"	CF
1 1/4"	CF
1 1/2"	CF
2"	CF
2 1/2"	CF
3"	CF
4"	CF

#### 3-Way Spring Return

80 psi	
Size	Model #
1/4"	33-TF-025/2R3S-XX-(A)
3/8"	33-TF-038/2R3S-XX-(A)
1/2"	33-TF-050/2R3S-XX-(A)
3/4"	33-TF-075/2R4S-XX-(A)
1"	33-TF-100/2R5S-XX-(A)
1 1/4"	NA
1 1/2"	33-TF-150/2R7S-XX-(A)
2"	33-TF-200/2R8S-XX-(A)
2 1/2"	33-TF-250/2R8S-XX-(A)
3"	33-TF-300/2R9S-XX-(A)
4"	33-TF-400/2R0S-XX-(A)

60 psi	
Size	Model #
1/4"	CF
3/8"	CF
1/2"	CF
3/4"	CF
1"	CF
1 1/4"	CF
1 1/2"	CF
2"	CF
2 1/2"	CF
3"	CF
4"	CF

#### 3-Way Electric

On-Off	
Size	Model #
1/4"	33-TF-025/WEA1-XX-(A)
3/8"	33-TF-038/WEA1-XX-(A)
1/2"	33-TF-050/WEA1-XX-(A)
3/4"	33-TF-075/WEA1-XX-(A)
1"	33-TF-100/WEB1-XX-(A)
1 1/4"	NA
1 1/2"	33-TF-150/WED1-XX-(A)
2"	33-TF-200/WEE1-XX-(A)
2 1/2"	33-TF-250/WEE1-XX-(A)
3"	33-TF-300/WEF1-XX-(A)
4"	33-TF-400/WEF1-XX-(A)

Modulating	
Size	Model #
1/4"	33-TF025/WEA2-XX-(A)
3/8"	33-TF038/WEA2-XX-(A)
1/2"	33-TF050/WEA2-XX-(A)
3/4"	33-TF075/WEA2-XX-(A)
1"	33-TF100/WEB2-XX-(A)
1 1/4"	NA
1 1/2"	33-TF150/WED2-XX-(A)
2"	33-TF200/WEE2-XX-(A)
2 1/2"	33-TF250/WEE2-XX-(A)
3"	33-TF300/WEF2-XX-(A)
4"	33-TF400/WEF2-XX-(A)

# Series 33

## Cavity Filled 150# Flanged

### Automated Model number

#### 3-Way Double Acting

80 psi	
Size	Model #
1/4"	NA
3/8"	NA
1/2"	33-FF-050/2R2D-XX-(A)
3/4"	33-FF-075/2R3D-XX-(A)
1"	33-FF-100/2R3D-XX-(A)
1 1/4"	NA
1 1/2"	33-FF-150/2R5D-XX-(A)
2"	33-FF-200/2R6D-XX-(A)
2 1/2"	33-FF-250/2R6D-XX-(A)
3"	33-FF-300/2R7D-XX-(A)
4"	33-FF-400/2R8D-XX-(A)

60 psi	
Size	Model #
1/4"	CF
3/8"	CF
1/2"	CF
3/4"	CF
1"	CF
1 1/4"	CF
1 1/2"	CF
2"	CF
2 1/2"	CF
3"	CF
4"	CF

#### 3-Way Spring Return

80 psi	
Size	Model #
1/4"	NA
3/8"	NA
1/2"	33-FF-050/2R3S-XX-(A)
3/4"	33-FF-075/2R4S-XX-(A)
1"	33-FF-100/2R5S-XX-(A)
1 1/4"	NA
1 1/2"	33-FF-150/2R7S-XX-(A)
2"	33-FF-200/2R8S-XX-(A)
2 1/2"	33-FF-250/2R8S-XX-(A)
3"	33-FF-300/2R9S-XX-(A)
4"	33-FF-400/2R0S-XX-(A)

60 psi	
Size	Model #
1/4"	CF
3/8"	CF
1/2"	CF
3/4"	CF
1"	CF
1 1/4"	CF
1 1/2"	CF
2"	CF
2 1/2"	CF
3"	CF
4"	CF

#### 3-Way Electric

On-Off	
Size	Model #
1/4"	NA
3/8"	NA
1/2"	33-FF-050/WEA1-XX-(A)
3/4"	33-FF-075/WEA1-XX-(A)
1"	33-FF-100/WEB1-XX-(A)
1 1/4"	NA
1 1/2"	33-FF-150/WED1-XX-(A)
2"	33-FF-200/WEE1-XX-(A)
2 1/2"	33-FF-250/WEE1-XX-(A)
3"	33-FF-300/WEF1-XX-(A)
4"	33-FF-400/WEF1-XX-(A)

Modulating	
Size	Model #
1/4"	NA
3/8"	NA
1/2"	33-FF-050/WEA2-XX-(A)
3/4"	33-FF-075/WEA2-XX-(A)
1"	33-FF-100/WEB2-XX-(A)
1 1/4"	NA
1 1/2"	33-FF-150/WED2-XX-(A)
2"	33-FF-200/WEE2XX-(A)
2 1/2"	33-FF-250/WEE2-XX-(A)
3"	33-FF-300/WEF2-XX-(A)
4"	33-FF-400/WEF2-XX-(A)

# Series 33

## Cavity Filled Sanitary

### Automated Model number

#### 3-Way Double Acting

80 psi	
Size	Model #
1/4"	NA
3/8"	NA
1/2"	33-CF-050/2R2D-XX-(A)
3/4"	33-CF-075/2R3D-XX-(A)
1"	33-CF-100/2R3D-XX-(A)
1 1/4"	NA
1 1/2"	33-CF-150/2R5D-XX-(A)
2"	33-CF-200/2R6D-XX-(A)
2 1/2"	33-CF-250/2R6D-XX-(A)
3"	33-CF-300/2R7D-XX-(A)
4"	33-CF-400/2R8D-XX-(A)

60 psi	
Size	Model #
1/4"	CF
3/8"	CF
1/2"	CF
3/4"	CF
1"	CF
1 1/4"	CF
1 1/2"	CF
2"	CF
2 1/2"	CF
3"	CF
4"	CF

#### 3-Way Spring Return

80 psi	
Size	Model #
1/4"	NA
3/8"	NA
1/2"	33-CF-050/2R3S-XX-(A)
3/4"	33-CF-075/2R4S-XX-(A)
1"	33-CF-100/2R5S-XX-(A)
1 1/4"	NA
1 1/2"	33-CF-150/2R7S-XX-(A)
2"	33-CF-200/2R8S-XX-(A)
2 1/2"	33-CF-250/2R8S-XX-(A)
3"	33-CF-300/2R9S-XX-(A)
4"	33-CF-400/2R0S-XX-(A)

60 psi	
Size	Model #
1/4"	CF
3/8"	CF
1/2"	CF
3/4"	CF
1"	CF
1 1/4"	CF
1 1/2"	CF
2"	CF
2 1/2"	CF
3"	CF
4"	CF

#### 3-Way Electric

On-Off	
Size	Model #
1/4"	NA
3/8"	NA
1/2"	33-CF-050/WEA1-XX-(A)
3/4"	33-CF-075/WEA1-XX-(A)
1"	33-CF-100/WEB1-XX-(A)
1 1/4"	NA
1 1/2"	33-CF-150/WED1-XX-(A)
2"	33-CF-200/WEE1-XX-(A)
2 1/2"	33-CF-250/WEE1-XX-(A)
3"	33-CF-300/WEF1-XX-(A)
4"	33-CF-400/WEF1-XX-(A)

Modulating	
Size	Model #
1/4"	NA
3/8"	NA
1/2"	33-CF-050/WEA2-XX-(A)
3/4"	33-CF-075/WEA2-XX-(A)
1"	33-CF-100/WEB2-XX-(A)
1 1/4"	NA
1 1/2"	33-CF-150/WED2-XX-(A)
2"	33-CF-200/WEE2-XX-(A)
2 1/2"	33-CF-250/WEE2-XX-(A)
3"	33-CF-300/WEF2-XX-(A)
4"	33-CF-400/WEF2-XX-(A)

# Series 43

## Threaded, Socket Weld and Butt Weld

### Automated Model number

#### 4-Way Double Acting

80 psi	
Size	Model #
1/4"	43-TX-025/TR1D-XX-(A)
3/8"	43-TX-038/TR1D-XX-(A)
1/2"	43-TX-050/TR1D-XX-(A)
3/4"	43-TX-075/2R2D-XX-(A)
1"	43-TX-100/2R2D-XX-(A)
1 1/4"	43-TX-125/2R3D-XX-(A)
1 1/2"	43-TX-150/2R4D-XX-(A)
2"	43-TX-200/2R5D-XX-(A)
2 1/2"	43-TX-250/2R5D-XX-(A)
3"	43-TX-300/2R6D-XX-(A)
4"	43-TX-400/2R7D-XX-(A)

60 psi	
Size	Model #
1/4"	43-TX-025/2R2D-XX-(A)
3/8"	43-TX-038/2R2D-XX-(A)
1/2"	43-TX-050/2R2D-XX-(A)
3/4"	43-TX-075/2R3D-XX-(A)
1"	43-TX-100/2R3D-XX-(A)
1 1/4"	43-TX-125/2R4D-XX-(A)
1 1/2"	43-TX-150/2R4D-XX-(A)
2"	43-TX-200/2R5D-XX-(A)
2 1/2"	43-TX-250/2R6D-XX-(A)
3"	43-TX-300/2R7D-XX-(A)
4"	43-TX-400/2R8D-XX-(A)

#### 4-Way Spring Return

80 psi	
Size	Model #
1/4"	43-TX-025/2R2S-XX-(A)
3/8"	43-TX-038/2R2S-XX-(A)
1/2"	43-TX-050/2R2S-XX-(A)
3/4"	43-TX-075/2R3S-XX-(A)
1"	43-TX-100/2R3S-XX-(A)
1 1/4"	43-TX-125/2R4S-XX-(A)
1 1/2"	43-TX-150/2R5S-XX-(A)
2"	43-TX-200/2R6S-XX-(A)
2 1/2"	43-TX-250/2R6S-XX-(A)
3"	43-TX-300/2R7S-XX-(A)
4"	43-TX-400/2R9S-XX-(A)

60 psi	
Size	Model #
1/4"	43-TX-025/2R3S-XX-(A)
3/8"	43-TX-038/2R3S-XX-(A)
1/2"	43-TX-050/2R3S-XX-(A)
3/4"	43-TX-075/2R4S-XX-(A)
1"	43-TX-100/2R4S-XX-(A)
1 1/4"	43-TX-125/2R5S-XX-(A)
1 1/2"	43-TX-150/2R6S-XX-(A)
2"	43-TX-200/2R7S-XX-(A)
2 1/2"	43-TX-250/2R7S-XX-(A)
3"	43-TX-300/2R8S-XX-(A)
4"	43-TX-400/2R0S-XX-(A)

#### 4-Way Electric

On-Off	
Size	Model #
1/4"	43-TX-025/WEA1-XX-(A)
3/8"	43-TX-038/WEA1-XX-(A)
1/2"	43-TX-050/WEA1-XX-(A)
3/4"	43-TX-075/WEA1-XX-(A)
1"	43-TX-100/WEA1-XX-(A)
1 1/4"	43-TX-125/WEB1-XX-(A)
1 1/2"	43-TX-150/WEC1-XX-(A)
2"	43-TX-200/WED1-XX-(A)
2 1/2"	43-TX-250/WEE1-XX-(A)
3"	43-TX-300/WEF1-XX-(A)
4"	43-TX-400/WEF1-XX-(A)

Modulating	
Size	Model #
1/4"	43-TX-025/WEA2-XX-(A)
3/8"	43-TX-038/WEA2-XX-(A)
1/2"	43-TX-050/WEA2-XX-(A)
3/4"	43-TX-075/WEA2-XX-(A)
1"	43-TX-100/WEA2-XX-(A)
1 1/4"	43-TX-125/WEB2-XX-(A)
1 1/2"	43-TX-250/WEC2-XX-(A)
2"	43-TX-200/WED2-XX-(A)
2 1/2"	43-TX-250/WEE2-XX-(A)
3"	43-TX-300/WEF2-XX-(A)
4"	43-TX-400/WEF2-XX-(A)



# Series 43

## 150# Flanged

### Automated Model number

#### 4-Way Double Acting

80 psi	
Size	Model #
1/4"	NA
3/8"	NA
1/2"	43-F1-050/TR1D-XX-(A)
3/4"	43-F1-075/2R2D-XX-(A)
1"	43-F1-100/2R2D-XX-(A)
1 1/4"	NA
1 1/2"	43-F1-150/2R4D-XX-(A)
2"	43-F1-200/2R5D-XX-(A)
2 1/2"	43-F1-250/2R5D-XX-(A)
3"	43-F1-300/2R6D-XX-(A)
4"	43-F1-400/2R7D-XX-(A)

60 psi	
Size	Model #
1/4"	NA
3/8"	NA
1/2"	43-F1-050/2R2D-XX-(A)
3/4"	43-F1-075/2R3D-XX-(A)
1"	43-F1-100/2R3D-XX-(A)
1 1/4"	NA
1 1/2"	43-F1-150/2R4D-XX-(A)
2"	43-F1-200/2R5D-XX-(A)
2 1/2"	43-F1-250/2R6D-XX-(A)
3"	43-F1-300/2R7D-XX-(A)
4"	43-F1-400/2R8D-XX-(A)

#### 4-Way Spring Return

80 psi	
Size	Model #
1/4"	NA
3/8"	NA
1/2"	43-F1-050/2R2S-XX-(A)
3/4"	43-F1-075/2R3S-XX-(A)
1"	43-F1-100/2R3S-XX-(A)
1 1/4"	NA
1 1/2"	43-F1-150/2R5S-XX-(A)
2"	43-F1-200/2R6S-XX-(A)
2 1/2"	43-F1-250/2R6S-XX-(A)
3"	43-F1-300/2R7S-XX-(A)
4"	43-F1-400/2R9S-XX-(A)

60 psi	
Size	Model #
1/4"	NA
3/8"	NA
1/2"	43-F1-050/2R3S-XX-(A)
3/4"	43-F1-075/2R4S-XX-(A)
1"	43-F1-100/2R4S-XX-(A)
1 1/4"	NA
1 1/2"	43-F1-150/2R6S-XX-(A)
2"	43-F1-200/2R7S-XX-(A)
2 1/2"	43-F1-250/2R7S-XX-(A)
3"	43-F1-300/2R8S-XX-(A)
4"	43-F1-400/2R0S-XX-(A)

#### 4-Way Electric

On-Off	
Size	Model #
1/4"	NA
3/8"	NA
1/2"	43-F1-050/WEA1-XX-(A)
3/4"	43-F1-075/WEA1-XX-(A)
1"	43-F1-100/WEA1-XX-(A)
1 1/4"	NA
1 1/2"	43-F1-150/WEC1-XX-(A)
2"	43-F1-200/WED1-XX-(A)
2 1/2"	43-F1-250/WEE1-XX-(A)
3"	43-F1-300/WEE1-XX-(A)
4"	43-F1-400/WEF1-XX-(A)

Modulating	
Size	Model #
1/4"	NA
3/8"	NA
1/2"	43-F1-050/WEA2-XX-(A)
3/4"	43-F1-075/WEA2-XX-(A)
1"	43-F1-100/WEA2-XX-(A)
1 1/4"	NA
1 1/2"	43-F1-250/WEC2-XX-(A)
2"	43-F1-200/WED2-XX-(A)
2 1/2"	43-F1-250/WEE2-XX-(A)
3"	43-F1-300/WEE2-XX-(A)
4"	43-F1-400/WEF2-XX-(A)

# Series 43

## Non-Cavity Filled Sanitary

### Automated Model number

#### 4-Way Double Acting

80 psi	
Size	Model #
1/4"	NA
3/8"	NA
1/2"	43-C1-050/TR1D-XX-(A)
3/4"	43-C1-075/2R2D-XX-(A)
1"	43-C1-100/2R2D-XX-(A)
1 1/4"	NA
1 1/2"	43-C1-150/2R4D-XX-(A)
2"	43-C1-200/2R5D-XX-(A)
2 1/2"	43-C1-250/2R5D-XX-(A)
3"	43-C1-300/2R6D-XX-(A)
4"	43-C1-400/2R7D-XX-(A)

60 psi	
Size	Model #
1/4"	NA
3/8"	NA
1/2"	43-C1-050/2R2D-XX-(A)
3/4"	43-C1-075/2R3D-XX-(A)
1"	43-C1-100/2R3D-XX-(A)
1 1/4"	NA
1 1/2"	43-C1-150/2R4D-XX-(A)
2"	43-C1-200/2R5D-XX-(A)
2 1/2"	43-C1-250/2R6D-XX-(A)
3"	43-C1-300/2R7D-XX-(A)
4"	43-C1-400/2R8D-XX-(A)

#### 4-Way Spring Return

80 psi	
Size	Model #
1/4"	NA
3/8"	NA
1/2"	43-C1-050/2R2S-XX-(A)
3/4"	43-C1-075/2R3S-XX-(A)
1"	43-C1-100/2R3S-XX-(A)
1 1/4"	NA
1 1/2"	43-C1-150/2R5S-XX-(A)
2"	43-C1-200/2R6S-XX-(A)
2 1/2"	43-C1-250/2R6S-XX-(A)
3"	43-C1-300/2R7S-XX-(A)
4"	43-C1-400/2R9S-XX-(A)

60 psi	
Size	Model #
1/4"	NA
3/8"	NA
1/2"	43-C1-050/2R3S-XX-(A)
3/4"	43-C1-075/2R4S-XX-(A)
1"	43-C1-100/2R4S-XX-(A)
1 1/4"	NA
1 1/2"	43-C1-150/2R6S-XX-(A)
2"	43-C1-200/2R7S-XX-(A)
2 1/2"	43-C1-250/2R7S-XX-(A)
3"	43-C1-300/2R8S-XX-(A)
4"	43-C1-400/2R0S-XX-(A)

#### 4-Way Electric

On-Off	
Size	Model #
1/4"	NA
3/8"	NA
1/2"	43-C1-050/WEA1-XX-(A)
3/4"	43-C1-075/WEA1-XX-(A)
1"	43-C1-100/WEA1-XX-(A)
1 1/4"	NA
1 1/2"	43-C1-150/WEC1-XX-(A)
2"	43-C1-200/WED1-XX-(A)
2 1/2"	43-C1-250/WEE1-XX-(A)
3"	43-C1-300/WEE1-XX-(A)
4"	43-C1-400/WEF1-XX-(A)

Modulating	
Size	Model #
1/4"	NA
3/8"	NA
1/2"	43-C1-050/WEA2-XX-(A)
3/4"	43-C1-075/WEA2-XX-(A)
1"	43-C1-100/WEA2-XX-(A)
1 1/4"	NA
1 1/2"	43-C1-250/WEC2-XX-(A)
2"	43-C1-200/WED2-XX-(A)
2 1/2"	43-C1-250/WEE2-XX-(A)
3"	43-C1-300/WEE2-XX-(A)
4"	43-C1-400/WEF2-XX-(A)

# Series 43

## Cavity Filled Threaded, Socket Weld and Butt Weld

### Automated Model number

#### 4-Way Double Acting

80 psi	
Size	Model #
1/4"	43-TF-025/2R2D-XX-(A)
3/8"	43-TF-038/2R2D-XX-(A)
1/2"	43-TF-050/2R2D-XX-(A)
3/4"	43-TF-075/2R3D-XX-(A)
1"	43-TF-100/2R3D-XX-(A)
1 1/4"	NA
1 1/2"	43-TF-150/2R5D-XX-(A)
2"	43-TF-200/2R6D-XX-(A)
2 1/2"	43-TF-250/2R6D-XX-(A)
3"	43-TF-300/2R7D-XX-(A)
4"	43-TF-400/2R8D-XX-(A)

60 psi	
Size	Model #
1/4"	CF
3/8"	CF
1/2"	CF
3/4"	CF
1"	CF
1 1/4"	CF
1 1/2"	CF
2"	CF
2 1/2"	CF
3"	CF
4"	CF

#### 4-Way Spring Return

80 psi	
Size	Model #
1/4"	43-TF-025/2R3S-XX-(A)
3/8"	43-TF-038/2R3S-XX-(A)
1/2"	43-TF-050/2R3S-XX-(A)
3/4"	43-TF-075/2R4S-XX-(A)
1"	43-TF-100/2R5S-XX-(A)
1 1/4"	NA
1 1/2"	43-TF-150/2R7S-XX-(A)
2"	43-TF-200/2R8S-XX-(A)
2 1/2"	43-TF-250/2R8S-XX-(A)
3"	43-TF-300/2R9S-XX-(A)
4"	43-TF-400/2R0S-XX-(A)

60 psi	
Size	Model #
1/4"	CF
3/8"	CF
1/2"	CF
3/4"	CF
1"	CF
1 1/4"	CF
1 1/2"	CF
2"	CF
2 1/2"	CF
3"	CF
4"	CF

#### 4-Way Electric

On-Off	
Size	Model #
1/4"	43-TF-025/WEA1-XX-(A)
3/8"	43-TF-038/WEA1-XX-(A)
1/2"	43-TF-050/WEA1-XX-(A)
3/4"	43-TF-075/WEA1-XX-(A)
1"	43-TF-100/WEB1-XX-(A)
1 1/4"	NA
1 1/2"	43-TF-150/WED1-XX-(A)
2"	43-TF-200/WEE1-XX-(A)
2 1/2"	43-TF-250/WEE1-XX-(A)
3"	43-TF-300/WEF1-XX-(A)
4"	43-TF-400/WEF1-XX-(A)

Modulating	
Size	Model #
1/4"	43-TF-025/WEA2-XX-(A)
3/8"	43-TF-038/WEA2-XX-(A)
1/2"	43-TF-050/WEA2-XX-(A)
3/4"	43-TF-075/WEA2-XX-(A)
1"	43-TF-100/WEB2-XX-(A)
1 1/4"	NA
1 1/2"	43-TF-150/WED2-XX-(A)
2"	43-TF-200/WEE2-XX-(A)
2 1/2"	43-TF-250/WEE2-XX-(A)
3"	43-TF-300/WEF2-XX-(A)
4"	43-TF-400/WEF2-XX-(A)

# Series 43

## Cavity Filled 150# Flanged

### Automated Model number

#### 4-Way Double Acting

80 psi	
Size	Model #
1/4"	NA
3/8"	NA
1/2"	43-FF-050/2R2D-XX-(A)
3/4"	43-FF-075/2R3D-XX-(A)
1"	43-FF-100/2R3D-XX-(A)
1 1/4"	NA
1 1/2"	43-FF-150/2R5D-XX-(A)
2"	43-FF-200/2R6D-XX-(A)
2 1/2"	43-FF-250/2R6D-XX-(A)
3"	43-FF-300/2R7D-XX-(A)
4"	43-FF-400/2R8D-XX-(A)

60 psi	
Size	Model #
1/4"	CF
3/8"	CF
1/2"	CF
3/4"	CF
1"	CF
1 1/4"	CF
1 1/2"	CF
2"	CF
2 1/2"	CF
3"	CF
4"	CF

#### 4-Way Spring Return

80 psi	
Size	Model #
1/4"	NA
3/8"	NA
1/2"	43-FF-050/2R3S-XX-(A)
3/4"	43-FF-075/2R4S-XX-(A)
1"	43-FF-100/2R5S-XX-(A)
1 1/4"	NA
1 1/2"	43-FF-150/2R7S-XX-(A)
2"	43-FF-200/2R8S-XX-(A)
2 1/2"	43-FF-250/2R8S-XX-(A)
3"	43-FF-300/2R9S-XX-(A)
4"	43-FF-400/2R0S-XX-(A)

60 psi	
Size	Model #
1/4"	CF
3/8"	CF
1/2"	CF
3/4"	CF
1"	CF
1 1/4"	CF
1 1/2"	CF
2"	CF
2 1/2"	CF
3"	CF
4"	CF

#### 4-Way Electric

On-Off	
Size	Model #
1/4"	NA
3/8"	NA
1/2"	43-FF-050/WEA1-XX-(A)
3/4"	43-FF-075/WEA1-XX-(A)
1"	43-FF-100/WEB1-XX-(A)
1 1/4"	NA
1 1/2"	43-FF-150/WED1-XX-(A)
2"	43-FF-200/WEE1-XX-(A)
2 1/2"	43-FF-250/WEE1-XX-(A)
3"	43-FF-300/WEF1-XX-(A)
4"	43-FF-400/WEF1-XX-(A)

Modulating	
Size	Model #
1/4"	NA
3/8"	NA
1/2"	43-FF-050/WEA2-XX-(A)
3/4"	43-FF-075/WEA2-XX-(A)
1"	43-FF-100/WEB2-XX-(A)
1 1/4"	NA
1 1/2"	43-FF-150/WED2-XX-(A)
2"	43-FF-200/WEE2-XX-(A)
2 1/2"	43-FF-250/WEE2-XX-(A)
3"	43-FF-300/WEF2-XX-(A)
4"	43-FF-400/WEF2-XX-(A)

# Series 43

## Cavity Filled Sanitary

### Automated Model number

#### 4-Way Double Acting

80 psi	
Size	Model #
1/4"	NA
3/8"	NA
1/2"	43-CF-050/2R2D-XX-(A)
3/4"	43-CF-075/2R3D-XX-(A)
1"	43-CF-100/2R3D-XX-(A)
1 1/4"	NA
1 1/2"	43-CF-150/2R5D-XX-(A)
2"	43-CF-200/2R6D-XX-(A)
2 1/2"	43-CF-250/2R6D-XX-(A)
3"	43-CF-300/2R7D-XX-(A)
4"	43-CF-400/2R8D-XX-(A)

60 psi	
Size	Model #
1/4"	CF
3/8"	CF
1/2"	CF
3/4"	CF
1"	CF
1 1/4"	CF
1 1/2"	CF
2"	CF
2 1/2"	CF
3"	CF
4"	CF

#### 4-Way Spring Return

80 psi	
Size	Model #
1/4"	NA
3/8"	NA
1/2"	43-CF-050/2R3S-XX-(A)
3/4"	43-CF-075/2R4S-XX-(A)
1"	43-CF-100/2R5S-XX-(A)
1 1/4"	NA
1 1/2"	43-CF-150/2R7S-XX-(A)
2"	43-CF-200/2R8S-XX-(A)
2 1/2"	43-CF-250/2R8S-XX-(A)
3"	43-CF-300/2R9S-XX-(A)
4"	43-CF-400/2R0S-XX-(A)

60 psi	
Size	Model #
1/4"	CF
3/8"	CF
1/2"	CF
3/4"	CF
1"	CF
1 1/4"	CF
1 1/2"	CF
2"	CF
2 1/2"	CF
3"	CF
4"	CF

#### 4-Way Electric

On-Off	
Size	Model #
1/4"	NA
3/8"	NA
1/2"	43-CF-050/WEA1-XX-(A)
3/4"	43-CF-075/WEA1-XX-(A)
1"	43-CF-100/WEB1-XX-(A)
1 1/4"	NA
1 1/2"	43-CF-150/WED1-XX-(A)
2"	43-CF-200/WEE1-XX-(A)
2 1/2"	43-CF-250/WEE1-XX-(A)
3"	43-CF-300/WEF1-XX-(A)
4"	43-CF-400/WEF1-XX-(A)

Modulating	
Size	Model #
1/4"	NA
3/8"	NA
1/2"	43-CF-050/WEA2-XX-(A)
3/4"	43-CF-075/WEA2-XX-(A)
1"	43-CF-100/WEB2-XX-(A)
1 1/4"	NA
1 1/2"	43-CF-150/WED2-XX-(A)
2"	43-CF-200/WEE2-XX-(A)
2 1/2"	43-CF-250/WEE2-XX-(A)
3"	43-CF-300/WEF2-XX-(A)
4"	43-CF-400/WEF2-XX-(A)

# Series 53

## Threaded, Socket Weld and Butt Weld

### Automated Model number

#### 5-Way Double Acting

80 psi	
Size	Model #
1/4"	53-TX-025/TR1D-XX-(A)
3/8"	53-TX-038/TR1D-XX-(A)
1/2"	53-TX-050/TR1D-XX-(A)
3/4"	53-TX-075/2R2D-XX-(A)
1"	53-TX-100/2R2D-XX-(A)
1 1/4"	53-TX-125/2R3D-XX-(A)
1 1/2"	53-TX-150/2R4D-XX-(A)
2"	53-TX-200/2R5D-XX-(A)
2 1/2"	53-TX-250/2R5D-XX-(A)
3"	53-TX-300/2R6D-XX-(A)
4"	53-TX-400/2R7D-XX-(A)

60 psi	
Size	Model #
1/4"	53-TX-025/2R2D-XX-(A)
3/8"	53-TX-038/2R2D-XX-(A)
1/2"	53-TX-050/2R2D-XX-(A)
3/4"	53-TX-075/2R3D-XX-(A)
1"	53-TX-100/2R3D-XX-(A)
1 1/4"	53-TX-125/2R4D-XX-(A)
1 1/2"	53-TX-150/2R4D-XX-(A)
2"	53-TX-200/2R5D-XX-(A)
2 1/2"	53-TX-250/2R6D-XX-(A)
3"	53-TX-300/2R7D-XX-(A)
4"	53-TX-400/2R8D-XX-(A)

#### 5-Way Spring Return

80 psi	
Size	Model #
1/4"	53-TX-025/2R2S-XX-(A)
3/8"	53-TX-038/2R2S-XX-(A)
1/2"	53-TX-050/2R2S-XX-(A)
3/4"	53-TX-075/2R3S-XX-(A)
1"	53-TX-100/2R3S-XX-(A)
1 1/4"	53-TX-125/2R4S-XX-(A)
1 1/2"	53-TX-150/2R5S-XX-(A)
2"	53-TX-200/2R6S-XX-(A)
2 1/2"	53-TX-250/2R6S-XX-(A)
3"	53-TX-300/2R7S-XX-(A)
4"	53-TX-400/2R9S-XX-(A)

60 psi	
Size	Model #
1/4"	53-TX-025/2R3S-XX-(A)
3/8"	53-TX-038/2R3S-XX-(A)
1/2"	53-TX-050/2R3S-XX-(A)
3/4"	53-TX-075/2R4S-XX-(A)
1"	53-TX-100/2R4S-XX-(A)
1 1/4"	53-TX-125/2R5S-XX-(A)
1 1/2"	53-TX-150/2R6S-XX-(A)
2"	53-TX-200/2R7S-XX-(A)
2 1/2"	53-TX-250/2R7S-XX-(A)
3"	53-TX-300/2R8S-XX-(A)
4"	53-TX-400/2R0S-XX-(A)

#### 5-Way Electric

On-Off	
Size	Model #
1/4"	53-TX-025/WEA1-XX-(A)
3/8"	53-TX-038/WEA1-XX-(A)
1/2"	53-TX-050/WEA1-XX-(A)
3/4"	53-TX-075/WEA1-XX-(A)
1"	53-TX-100/WEA1-XX-(A)
1 1/4"	53-TX-125/WEB1-XX-(A)
1 1/2"	53-TX-150/WEC1-XX-(A)
2"	53-TX-200/WED1-XX-(A)
2 1/2"	53-TX-250/WEE1-XX-(A)
3"	53-TX-300/WEE1-XX-(A)
4"	53-TX-400/WEF1-XX-(A)

Modulating	
Size	Model #
1/4"	53-TX-025/WEA2-XX-(A)
3/8"	53-TX-038/WEA2-XX-(A)
1/2"	53-TX-050/WEA2-XX-(A)
3/4"	53-TX-075/WEA2-XX-(A)
1"	53-TX-100/WEA2-XX-(A)
1 1/4"	53-TX-125/WEB2-XX-(A)
1 1/2"	53-TX-250/WEC2-XX-(A)
2"	53-TX-200/WED2-XX-(A)
2 1/2"	53-TX-250/WEE2-XX-(A)
3"	53-TX-300/WEE2-XX-(A)
4"	53-TX-400/WEF2-XX-(A)

# Series 53

## 150# Flanged

### Automated Model number

#### 5-Way Double Acting

80 psi

Size	Model #
1/4"	NA
3/8"	NA
1/2"	53-F1-050/TR1D-XX-(A)
3/4"	53-F1-075/2R2D-XX-(A)
1"	53-F1-100/2R2D-XX-(A)
1 1/4"	NA
1 1/2"	53-F1-150/2R4D-XX-(A)
2"	53-F1-200/2R5D-XX-(A)
2 1/2"	53-F1-250/2R5D-XX-(A)
3"	53-F1-300/2R6D-XX-(A)
4"	53-F1-400/2R7D-XX-(A)

60 psi

Size	Model #
1/4"	NA
3/8"	NA
1/2"	53-F1-050/2R2D-XX-(A)
3/4"	53-F1-075/2R3D-XX-(A)
1"	53-F1-100/2R3D-XX-(A)
1 1/4"	NA
1 1/2"	53-F1-150/2R4D-XX-(A)
2"	53-F1-200/2R5D-XX-(A)
2 1/2"	53-F1-250/2R6D-XX-(A)
3"	53-F1-300/2R7D-XX-(A)
4"	53-F1-400/2R8D-XX-(A)

#### 5-Way Spring Return

80 psi

Size	Model #
1/4"	NA
3/8"	NA
1/2"	53-F1-050/2R2S-XX-(A)
3/4"	53-F1-075/2R3S-XX-(A)
1"	53-F1-100/2R3S-XX-(A)
1 1/4"	NA
1 1/2"	53-F1-150/2R5S-XX-(A)
2"	53-F1-200/2R6S-XX-(A)
2 1/2"	53-F1-250/2R6S-XX-(A)
3"	53-F1-300/2R7S-XX-(A)
4"	53-F1-400/2R9S-XX-(A)

60 psi

Size	Model #
1/4"	NA
3/8"	NA
1/2"	53-F1-050/2R3S-XX-(A)
3/4"	53-F1-075/2R4S-XX-(A)
1"	53-F1-100/2R4S-XX-(A)
1 1/4"	NA
1 1/2"	53-F1-150/2R6S-XX-(A)
2"	53-F1-200/2R7S-XX-(A)
2 1/2"	53-F1-250/2R7S-XX-(A)
3"	53-F1-300/2R8S-XX-(A)
4"	53-F1-400/2R0S-XX-(A)

#### 5-Way Electric

On-Off

Size	Model #
1/4"	NA
3/8"	NA
1/2"	53-F1-050/WEA1-XX-(A)
3/4"	53-F1-075/WEA1-XX-(A)
1"	53-F1-100/WEA1-XX-(A)
1 1/4"	NA
1 1/2"	53-F1-150/WEC1-XX-(A)
2"	53-F1-200/WED1-XX-(A)
2 1/2"	53-F1-250/WEE1-XX-(A)
3"	53-F1-300/WEE1-XX-(A)
4"	53-F1-400/WEF1-XX-(A)

Modulating

Size	Model #
1/4"	NA
3/8"	NA
1/2"	53-F1-050/WEA2-XX-(A)
3/4"	53-F1-075/WEA2-XX-(A)
1"	53-F1-100/WEA2-XX-(A)
1 1/4"	NA
1 1/2"	53-F1-250/WEC2-XX-(A)
2"	53-F1-200/WED2-XX-(A)
2 1/2"	53-F1-250/WEE2-XX-(A)
3"	53-F1-300/WEE2-XX-(A)
4"	53-F1-400/WEF2-XX-(A)

# Series 53

## Non-Cavity Filled Sanitary

### Automated Model number

#### 5-Way Double Acting

80 psi	
Size	Model #
1/4"	NA
3/8"	NA
1/2"	53-C1-050/TR1D-XX-(A)
3/4"	53-C1-075/2R2D-XX-(A)
1"	53-C1-100/2R2D-XX-(A)
1 1/4"	NA
1 1/2"	53-C1-150/2R4D-XX-(A)
2"	53-C1-200/2R5D-XX-(A)
2 1/2"	53-C1-250/2R5D-XX-(A)
3"	53-C1-300/2R6D-XX-(A)
4"	53-C1-400/2R7D-XX-(A)

60 psi	
Size	Model #
1/4"	NA
3/8"	NA
1/2"	53-C1-050/2R2D-XX-(A)
3/4"	53-C1-075/2R3D-XX-(A)
1"	53-C1-100/2R3D-XX-(A)
1 1/4"	NA
1 1/2"	53-C1-150/2R4D-XX-(A)
2"	53-C1-200/2R5D-XX-(A)
2 1/2"	53-C1-250/2R6D-XX-(A)
3"	53-C1-300/2R7D-XX-(A)
4"	53-C1-400/2R8D-XX-(A)

#### 5-Way Spring Return

80 psi	
Size	Model #
1/4"	NA
3/8"	NA
1/2"	53-C1-050/2R2S-XX-(A)
3/4"	53-C1-075/2R3S-XX-(A)
1"	53-C1-100/2R3S-XX-(A)
1 1/4"	NA
1 1/2"	53-C1-150/2R5S-XX-(A)
2"	53-C1-200/2R6S-XX-(A)
2 1/2"	53-C1-250/2R6S-XX-(A)
3"	53-C1-300/2R7S-XX-(A)
4"	53-C1-400/2R9S-XX-(A)

60 psi	
Size	Model #
1/4"	NA
3/8"	NA
1/2"	53-C1-050/2R3S-XX-(A)
3/4"	53-C1-075/2R4S-XX-(A)
1"	53-C1-100/2R4S-XX-(A)
1 1/4"	NA
1 1/2"	53-C1-150/2R6S-XX-(A)
2"	53-C1-200/2R7S-XX-(A)
2 1/2"	53-C1-250/2R7S-XX-(A)
3"	53-C1-300/2R8S-XX-(A)
4"	53-C1-400/2R0S-XX-(A)

#### 5-Way Electric

On-Off	
Size	Model #
1/4"	NA
3/8"	NA
1/2"	53-C1-050/WEA1-XX-(A)
3/4"	53-C1-075/WEA1-XX-(A)
1"	53-C1-100/WEA1-XX-(A)
1 1/4"	NA
1 1/2"	53-C1-150/WEC1-XX-(A)
2"	53-C1-200/WED1-XX-(A)
2 1/2"	53-C1-250/WEE1-XX-(A)
3"	53-C1-300/WEE1-XX-(A)
4"	53-C1-400/WEF1-XX-(A)

Modulating	
Size	Model #
1/4"	NA
3/8"	NA
1/2"	53-C1-050/WEA2-XX-(A)
3/4"	53-C1-075/WEA2-XX-(A)
1"	53-C1-100/WEA2-XX-(A)
1 1/4"	NA
1 1/2"	53-C1-250/WEC2-XX-(A)
2"	53-C1-200/WED2-XX-(A)
2 1/2"	53-C1-250/WEE2-XX-(A)
3"	53-C1-300/WEE2-XX-(A)
4"	53-C1-400/WEF2-XX-(A)



# Series 53

## Cavity Filled Threaded, Socket Weld and Butt Weld

### Automated Model number

#### 5-Way Double Acting

80 psi	
Size	Model #
1/4"	53-TF-025/2R2D-XX-(A)
3/8"	53-TF-038/2R2D-XX-(A)
1/2"	53-TF-050/2R2D-XX-(A)
3/4"	53-TF-075/2R3D-XX-(A)
1"	53-TF-100/2R3D-XX-(A)
1 1/4"	NA
1 1/2"	53-TF-150/2R5D-XX-(A)
2"	53-TF-200/2R6D-XX-(A)
2 1/2"	53-TF-250/2R6D-XX-(A)
3"	53-TF-300/2R7D-XX-(A)
4"	53-TF-400/2R8D-XX-(A)

60 psi	
Size	Model #
1/4"	CF
3/8"	CF
1/2"	CF
3/4"	CF
1"	CF
1 1/4"	CF
1 1/2"	CF
2"	CF
2 1/2"	CF
3"	CF
4"	CF

#### 5-Way Spring Return

80 psi	
Size	Model #
1/4"	53-TF-025/2R3S-XX-(A)
3/8"	53-TF-038/2R3S-XX-(A)
1/2"	53-TF-050/2R3S-XX-(A)
3/4"	53-TF-075/2R4S-XX-(A)
1"	53-TF-100/2R5S-XX-(A)
1 1/4"	NA
1 1/2"	53-TF-150/2R7S-XX-(A)
2"	53-TF-200/2R8S-XX-(A)
2 1/2"	53-TF-250/2R8S-XX-(A)
3"	53-TF-300/2R9S-XX-(A)
4"	53-TF-400/2R0S-XX-(A)

60 psi	
Size	Model #
1/4"	CF
3/8"	CF
1/2"	CF
3/4"	CF
1"	CF
1 1/4"	CF
1 1/2"	CF
2"	CF
2 1/2"	CF
3"	CF
4"	CF

#### 5-Way Electric

On-Off	
Size	Model #
1/4"	53-TF-025/WEA1-XX-(A)
3/8"	53-TF-038/WEA1-XX-(A)
1/2"	53-TF-050/WEA1-XX-(A)
3/4"	53-TF-075/WEA1-XX-(A)
1"	53-TF-100/WEB1-XX-(A)
1 1/4"	NA
1 1/2"	53-TF-150/WED1-XX-(A)
2"	53-TF-200/WEE1-XX-(A)
2 1/2"	53-TF-250/WEE1-XX-(A)
3"	53-TF-300/WEF1-XX-(A)
4"	53-TF-400/WEF1-XX-(A)

Modulating	
Size	Model #
1/4"	53-TF-025/WEA2-XX-(A)
3/8"	53-TF-038/WEA2-XX-(A)
1/2"	53-TF-050/WEA2-XX-(A)
3/4"	53-TF-075/WEA2-XX-(A)
1"	53-TF-100/WEB2-XX-(A)
1 1/4"	NA
1 1/2"	53-TF-150/WED2-XX-(A)
2"	53-TF-200/WEE2-XX-(A)
2 1/2"	53-TF-250/WEE2-XX-(A)
3"	53-TF-300/WEF2-XX-(A)
4"	53-TF-400/WEF2-XX-(A)

# Series 53

## Cavity Filled 150# Flanged

### Automated Model number

#### 5-Way Double Acting

80 psi	
Size	Model #
1/4"	NA
3/8"	NA
1/2"	53-FF-050/2R2D-XX-(A)
3/4"	53-FF-075/2R3D-XX-(A)
1"	53-FF-100/2R3D-XX-(A)
1 1/4"	NA
1 1/2"	53-FF-150/2R5D-XX-(A)
2"	53-FF-200/2R6D-XX-(A)
2 1/2"	53-FF-250/2R6D-XX-(A)
3"	53-FF-300/2R7D-XX-(A)
4"	53-FF-400/2R8D-XX-(A)

60 psi	
Size	Model #
1/4"	CF
3/8"	CF
1/2"	CF
3/4"	CF
1"	CF
1 1/4"	CF
1 1/2"	CF
2"	CF
2 1/2"	CF
3"	CF
4"	CF

#### 5-Way Spring Return

80 psi	
Size	Model #
1/4"	NA
3/8"	NA
1/2"	53-FF-050/2R3S-XX-(A)
3/4"	53-FF-075/2R4S-XX-(A)
1"	53-FF-100/2R5S-XX-(A)
1 1/4"	NA
1 1/2"	53-FF-150/2R7S-XX-(A)
2"	53-FF-200/2R8S-XX-(A)
2 1/2"	53-FF-250/2R8S-XX-(A)
3"	53-FF-300/2R9S-XX-(A)
4"	53-FF-400/2R0S-XX-(A)

60 psi	
Size	Model #
1/4"	CF
3/8"	CF
1/2"	CF
3/4"	CF
1"	CF
1 1/4"	CF
1 1/2"	CF
2"	CF
2 1/2"	CF
3"	CF
4"	CF

#### 5-Way Electric

On-Off	
Size	Model #
1/4"	NA
3/8"	NA
1/2"	53-FF-050/WEA1-XX-(A)
3/4"	53-FF-075/WEA1-XX-(A)
1"	53-FF-100/WEB1-XX-(A)
1 1/4"	NA
1 1/2"	53-FF-150/WED-XX-(A)
2"	53-FF-200/WEE1-XX-(A)
2 1/2"	53-FF-250/WEE1-XX-(A)
3"	53-FF-300/WEF1-XX-(A)
4"	53-FF-400/WEF1-XX-(A)

Modulating	
Size	Model #
1/4"	NA
3/8"	NA
1/2"	53-FF-050/WEA2-XX-(A)
3/4"	53-FF-075/WEA2-XX-(A)
1"	53-FF-100/WEB2-XX-(A)
1 1/4"	NA
1 1/2"	53-FF-150/WED2-XX-(A)
2"	53-FF-200/WEE2-XX-(A)
2 1/2"	53-FF-250/WEE2-XX-(A)
3"	53-FF-300/WEF2-XX-(A)
4"	53-FF-400/WEF2-XX-(A)

# Series 53

## Cavity Filled Sanitary

### Automated Model number

#### 5-Way Double Acting

80 psi	
Size	Model #
1/4"	NA
3/8"	NA
1/2"	53-CF-050/2R2D-XX-(A)
3/4"	53-CF-075/2R3D-XX-(A)
1"	53-CF-100/2R3D-XX-(A)
1 1/4"	NA
1 1/2"	53-CF-150/2R5D-XX-(A)
2"	53-CF-200/2R6D-XX-(A)
2 1/2"	53-CF-250/2R6D-XX-(A)
3"	53-CF-300/2R7D-XX-(A)
4"	53-CF-400/2R8D-XX-(A)

60 psi	
Size	Model #
1/4"	CF
3/8"	CF
1/2"	CF
3/4"	CF
1"	CF
1 1/4"	CF
1 1/2"	CF
2"	CF
2 1/2"	CF
3"	CF
4"	CF

#### 5-Way Spring Return

80 psi	
Size	Model #
1/4"	NA
3/8"	NA
1/2"	53-CF-050/2R3S-XX-(A)
3/4"	53-CF-075/2R4S-XX-(A)
1"	53-CF-100/2R5S-XX-(A)
1 1/4"	NA
1 1/2"	53-CF-150/2R7S-XX-(A)
2"	53-CF-200/2R8S-XX-(A)
2 1/2"	53-CF-250/2R8S-XX-(A)
3"	53-CF-300/2R9S-XX-(A)
4"	53-CF-400/2R0S-XX-(A)

60 psi	
Size	Model #
1/4"	CF
3/8"	CF
1/2"	CF
3/4"	CF
1"	CF
1 1/4"	CF
1 1/2"	CF
2"	CF
2 1/2"	CF
3"	CF
4"	CF

#### 5-Way Electric

On-Off	
Size	Model #
1/4"	NA
3/8"	NA
1/2"	53-CF-050/WEA1-XX-(A)
3/4"	53-CF-075/WEA1-XX-(A)
1"	53-CF-100/WEB1-XX-(A)
1 1/4"	NA
1 1/2"	53-CF-150/WED1-XX-(A)
2"	53-CF-200/WEE1-XX-(A)
2 1/2"	53-CF-250/WEE1-XX-(A)
3"	53-CF-300/WEF1-XX-(A)
4"	53-CF-400/WEF1-XX-(A)

Modulating	
Size	Model #
1/4"	NA
3/8"	NA
1/2"	53-CF-050/WEA2-XX-(A)
3/4"	53-CF-075/WEA2-XX-(A)
1"	53-CF-100/WEB2-XX-(A)
1 1/4"	NA
1 1/2"	53-CF-150/WED2-XX-(A)
2"	53-CF-200/WEE2-XX-(A)
2 1/2"	53-CF-250/WEE2-XX-(A)
3"	53-CF-300/WEF2-XX-(A)
4"	53-CF-400/WEF2-XX-(A)



Triac Division  
11363 Deerfield Rd.  
Cincinnati, Ohio 45242  
(513) 247-5465  
FAX (513) 247-5462  
e-mail: [sales@a-tcontrols.com](mailto:sales@a-tcontrols.com)  
[www.a-tcontrols.com](http://www.a-tcontrols.com)