

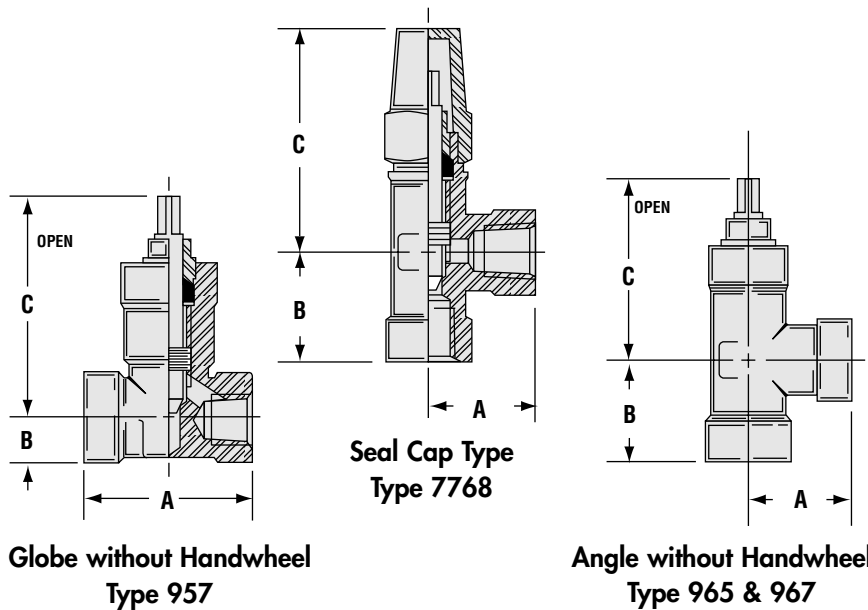
SHUT-OFF VALVES

Forged Steel



Features:

- ✓ Valve bodies: Forged steel
- ✓ Stems: Plated steel
- ✓ Finish: Plated
- ✓ Non-backseating
- ✓ Maximum working pressure: 1000 P.S.I. (70.3 Kg/cm²)
- ✓ Temperature rating: -20°F (-29°C) to +300°F (+149°C)
- ✓ Suitable for ammonia and other industrial fluids non-corrosive to steel



Type	Catalog Number	Size and Type Connection	Dimensions in Inches			Wt. Lbs.
			A	B	C	
Seal Cap	7761	¼ M.P.T. × ¼ M.F.L.	1.06	1.06	2.38	.50
	7771	¼ M.P.T. × ¼ F.P.T.			2.66	.75
	7771E*	¼ M.P.T. × ¼ F.P.T.		1.06	2.38	.50
	7772	¼ F.P.T.	1.50	1.50	2.63	.75
	7773	⅜ M.P.T. × ⅜ F.P.T.			2.63	.50
	7774	⅜ F.P.T.				
Globe	957	¼ F.P.T.	1.75	.50	2.63	.50
Angle	965	¼ M.P.T. × ¼ F.P.T.	1.06	1.06	2.13	.50
	967	¼ F.P.T.				

*Extended inlet valve

Flow Control Products

Henry Valve Products
5635-10