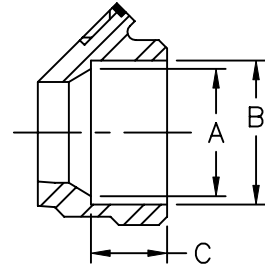
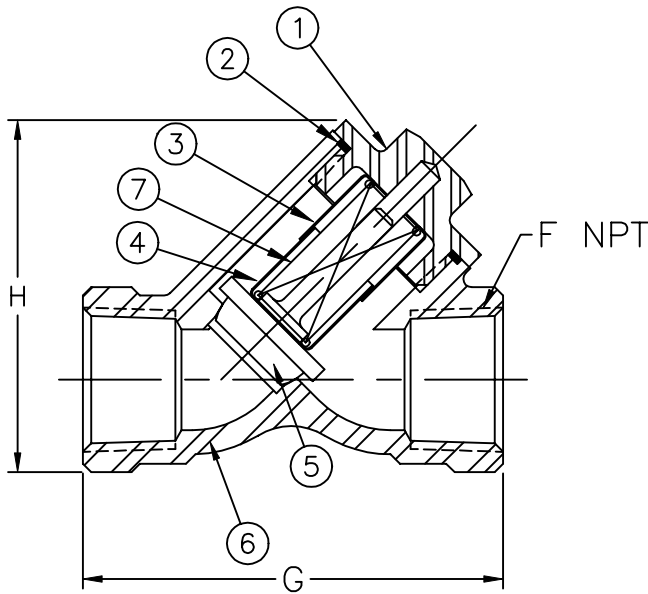
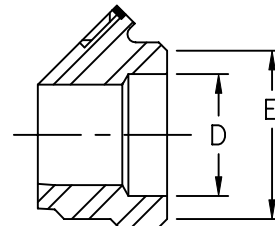


**WARD
CHECK VALVE
1/4" thru 2"
MODEL 816**



SOCKET WELD



BUTT WELD

FOR REFERENCE USE ONLY, SPECIFICATIONS SUBJECT TO CHANGE WITHOUT NOTICE.

| VALVE SIZE(in.) | PIPED ENDS | | | | | | | | WGT |
|-----------------|------------|------|-----|------|------|------|------|------|-----|
| | A | B | C | D | E | F | G | H | |
| 1/4 | .37 | .86 | .50 | .62 | .84 | .25 | 2.44 | 2.20 | .9 |
| 3/8 | .50 | .71 | .50 | .50 | .84 | .38 | 2.44 | 2.20 | .85 |
| 1/2 | .62 | .86 | .50 | .62 | .84 | .50 | 2.44 | 2.20 | .8 |
| 3/4 | .82 | 1.07 | .56 | .82 | 1.05 | .75 | 3.13 | 2.76 | 1.2 |
| 1 | 1.05 | 1.34 | .63 | 1.05 | 1.31 | 1.00 | 3.50 | 3.30 | 1.7 |
| 1-1/4 | 1.38 | 1.68 | .69 | 1.38 | 1.66 | 1.25 | 4.75 | 3.95 | 4.0 |
| 1-1/2 | 1.61 | 1.92 | .75 | 1.61 | 1.91 | 1.50 | 4.75 | 4.43 | 4.0 |
| 2 | 2.07 | 2.41 | .88 | 2.07 | 2.38 | 2.00 | 6.00 | 5.49 | 6.7 |

| ITEM | QTY. | DESCRIPTION | MATERIAL |
|------|------|--------------------------------|------------------------|
| 1 | 1 | CAP | STAINLESS STEEL |
| 2 | 1 | GASKET | PTFE |
| 3 | 1 | OUTER SPRING SLEEVE (OPTIONAL) | STAINLESS STEEL |
| 4 | 1 | INNER SPRING SLEEVE (OPTIONAL) | STAINLESS STEEL |
| 5 | 1 | PLUNGER ASSEMBLY | STAINLESS STEEL/TEFLON |
| 6 | 1 | BODY | STAINLESS STEEL |
| 7 | 1 | COIL SPRING | STAINLESS STEEL |