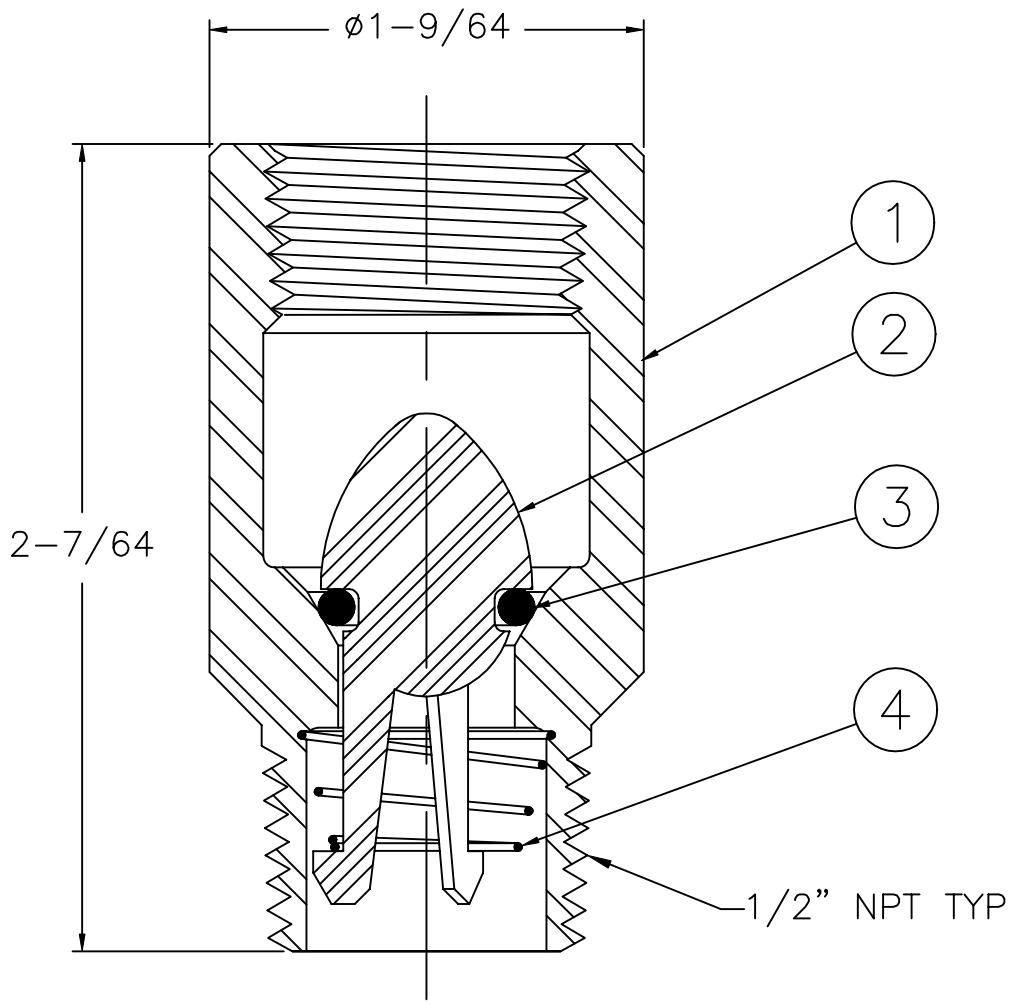


**CHECK VALVE**  
**1/2" M x 1/2" F**  
**MODEL 100MSS**



**FOR REFERENCE USE ONLY, SPECIFICATIONS TO CHANGE WITHOUT NOTICE.**

PART	QTY	DESCRIPTION	MATERIAL	ASTM
1	1	BODY	STAINLESS STEEL	303
2	1	POPPET	TEFZEL	---
3	1	O'RING	VITON	---
4	1	SPRING	STAINLESS STEEL	302