

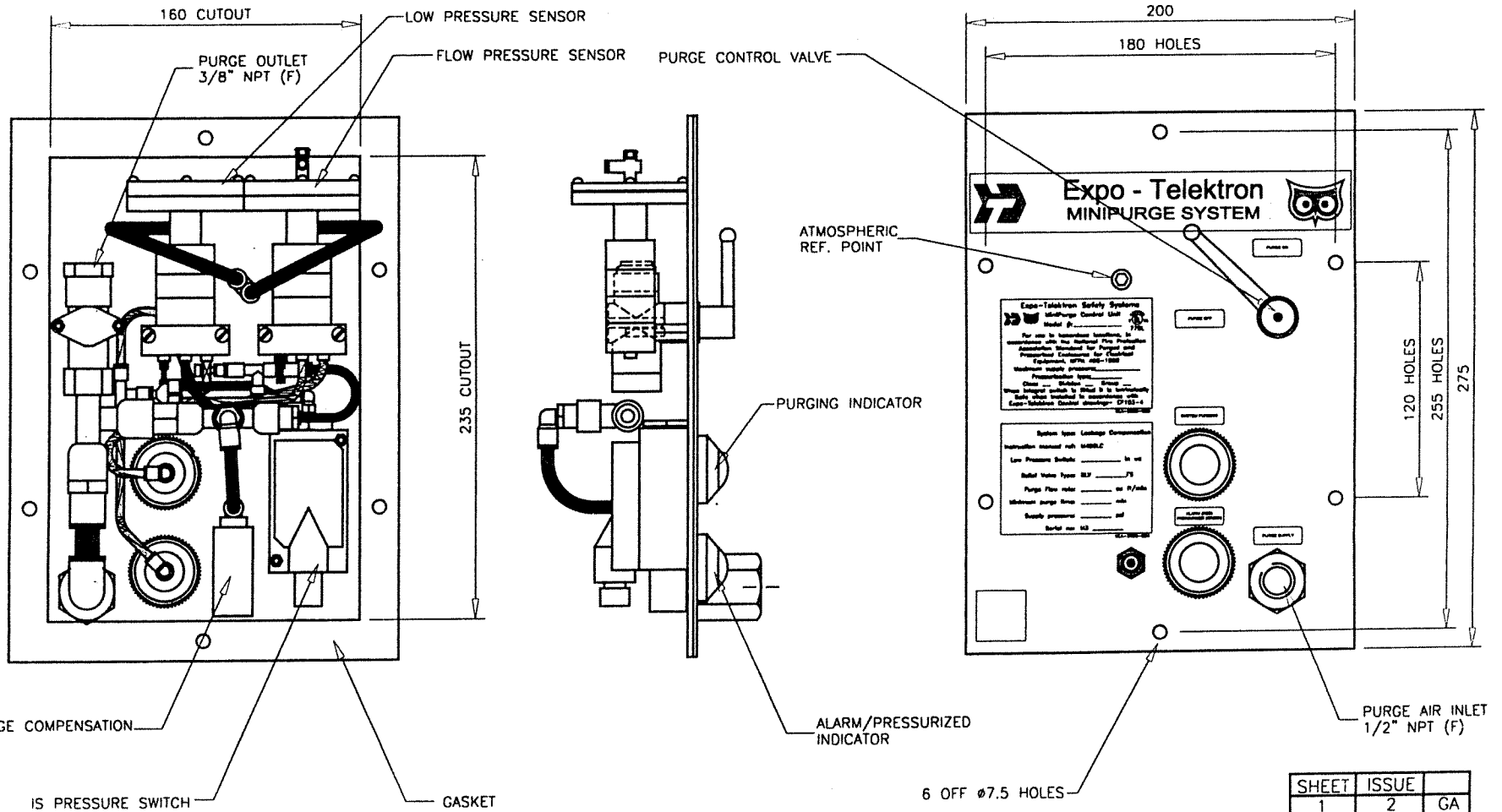
3rd ANGLE PROJECTION



DIMENSIONS UNSPECIFIED NO DEC. PLACE ±0.5
 IN mm. TOLERANCES 1 DEC. PLACE ±0.2
 2 DEC. PLACE ±0.1

FLATNESS TO BE LESS THAN 0.4mm OVER ANY 100mm LENGTH

The contents of this Drawing/Document are copyright. They are to be treated as confidential and are returnable upon request. They are not to be copied, communicated in part or whole without written consent from Expo Teletron Safety Systems Ltd. Neither are they to be used in any way against our interests.

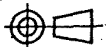


SHEET	ISSUE	
1	2	GA
2	2	CL
3	2	CT

DO NOT SCALE

APP'D	BRD	ISSUE:-	ISSUE-1	2			MAT'L	FINISH	SURREY, ENGLAND	SCALE N.T.S	
CHK'D	BRD	MOD. No:-	DRAWN	2909						TITLE	DRG. No.
DRN	MC	DATE:-	02/08/00	07/11/00					Z PURGE PANEL MOUNT SIZE 1,2 & 3	AMP-04LC-200	
		APPROVED:-	BRD	<i>Red</i>					JOB No:	CUSTOMER:	
DRAWING STATUS: CERT RELATED							DRG FILE: F:\CAD\DWGS\00-07\R142022			SHT. No. 1 OF 3	

3rd ANGLE PROJECTION

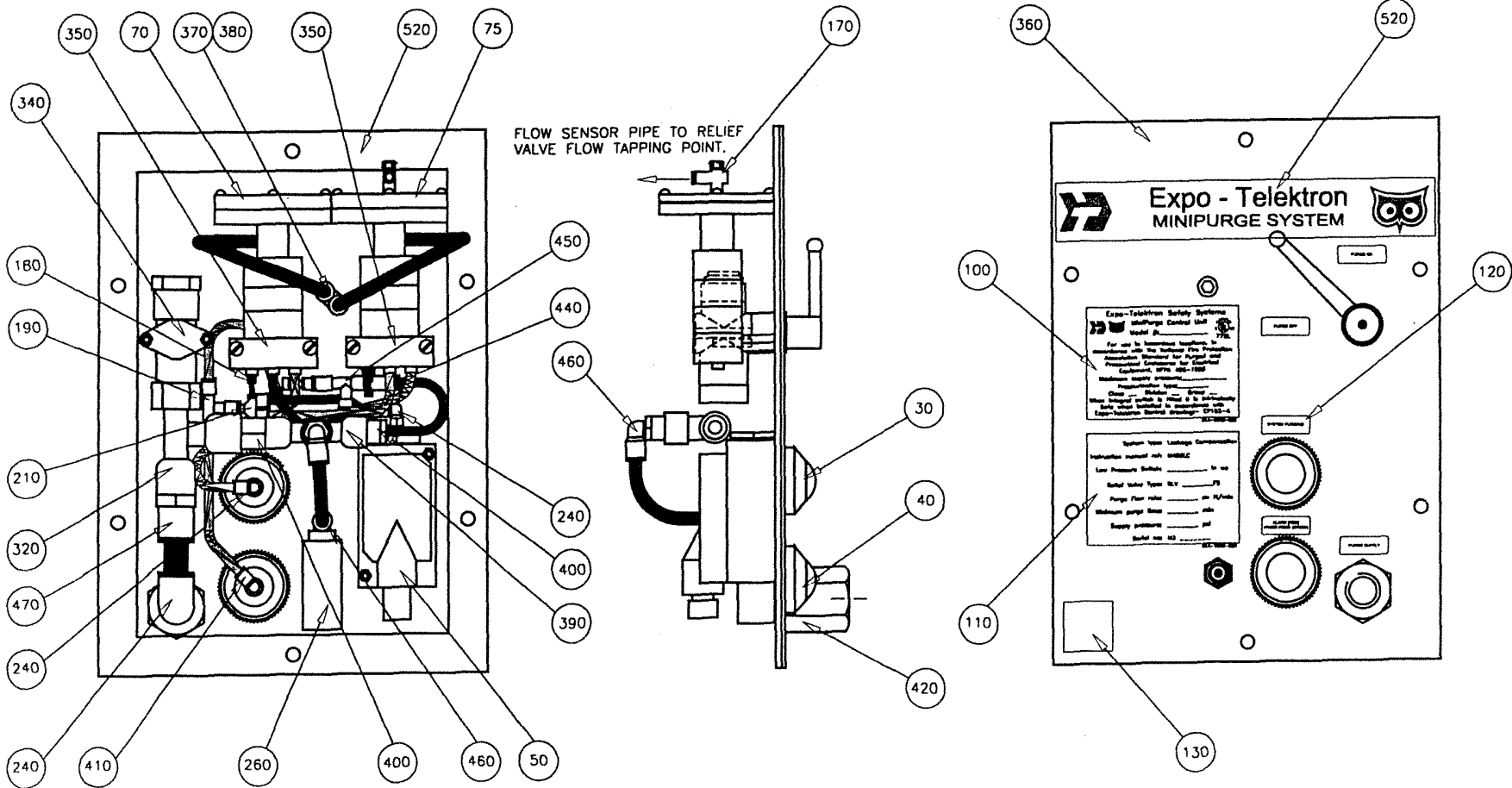


DIMENSIONS UNspecified NO DEC. PLACE ± 0.5
 IN mm. TOLERANCES 1 DEC. PLACE ± 0.2
 2 DEC. PLACE ± 0.1

FLATNESS TO BE LESS THAN 0.4mm OVER ANY 100mm LENGTH

The contents of this Drawing/Document are copyright. They are to be treated as confidential and are returnable upon request. They are not to be copied, communicated in part or whole without written consent from Expo Telektron Safety Systems Ltd. Neither are they to be used in any way against our interests.

NOTE:
 ITEMS 140 AND 150 ARE SUPPLIED LOOSE,
 ITEM 140 IS FITTED TO THE COMPLETE ENCLOSURE
 AND ITEM 150 FITTED TO THE RELIEF VALVE.



DO NOT SCALE

APP'D	BRD	ISSUE:-	ISSUE-1	2		MAT'L	FINISH	SURREY, ENGLAND	SCALE N.T.S	
CHK'D	BRD	MOD. No:-	DRAWN	2909		SEE BOM ITEM NUMBERS			TITLE	DRG. No.
		DATE:-	02/08/00	07/11/00				Z PURGE PANEL MOUNT LAYOUT	AMP-04LC-200	
DRN	MC	APPROVED:-	BRD	Rep				JOB No:	CUSTOMER:	
DRAWING STATUS: CERT RELATED						DRG FILE: F:\CAD\DWGS\00-07\R142023			SHT. No. 2 OF X	

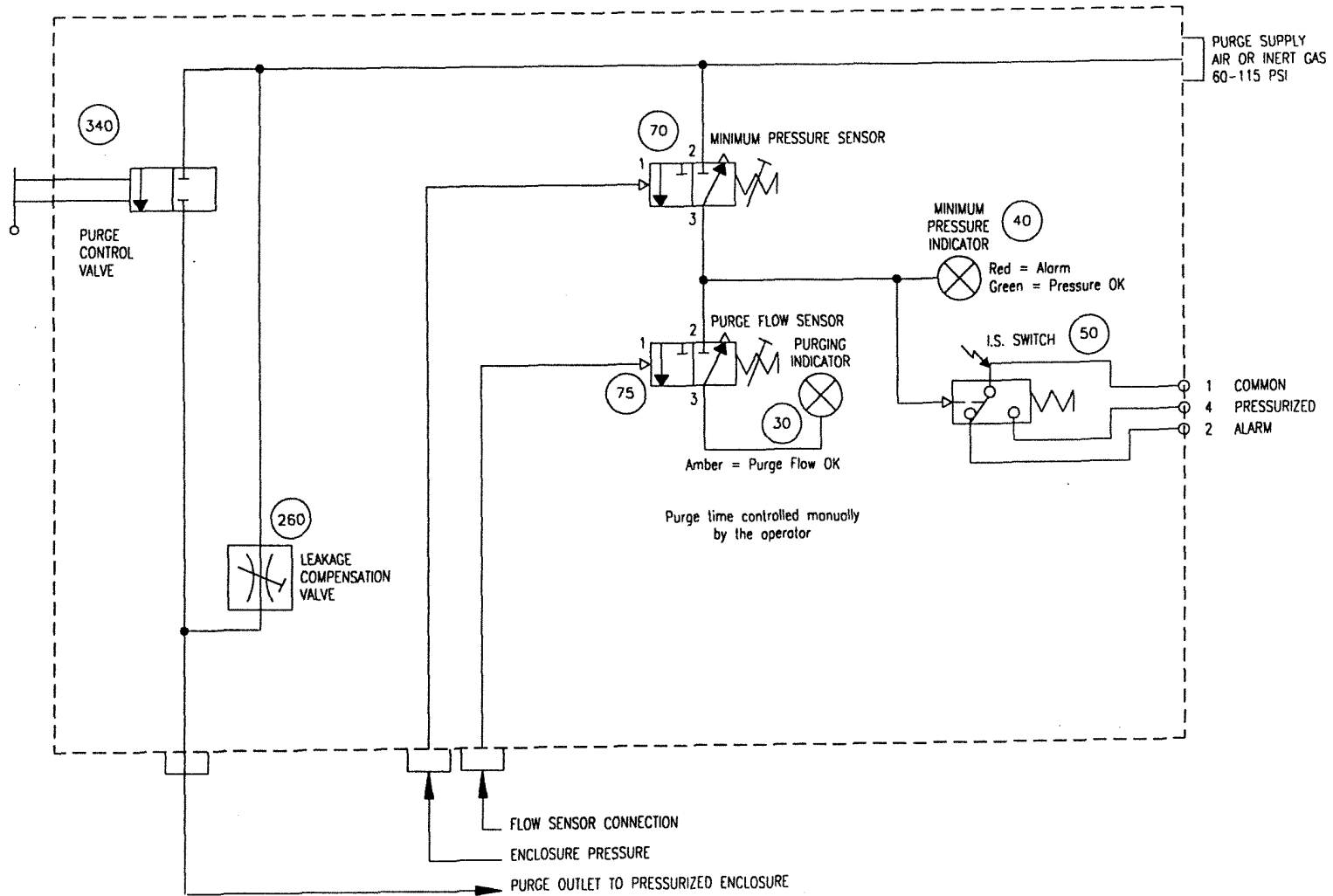
3rd ANGLE PROJECTION



DIMENSIONS UNSPECIFIED NO DEC. PLACE ±0.5
 IN mm. TOLERANCES 1 DEC. PLACE ±0.2
 2 DEC. PLACE ±0.1

FLATNESS TO BE LESS THAN 0.4mm OVER ANY 100mm LENGTH

The contents of this Drawing/Document are copyright. They are to be treated as confidential and are returnable upon request. They are not to be copied, communicated in part or whole without written consent from Expo Teletron Safety Systems Ltd. Neither are they to be used in any way against our interests.



DO NOT SCALE

APP'D	BRD	ISSUE:-	ISSUE-1	2			MAT'L	FINISH	SURREY, ENGLAND	SCALE	N.T.S	
CHK'D	BRD	MOD. No:-	DRAWN	2909						TITLE	Z PURGE PANEL MOUNT CIRCUIT	DRG. No.
DRN	MC	DATE:-	02/08/00	07/11/00					JOB No:		CUSTOMER:	SHT. No. 3 OF X
DRAWING STATUS: CERT RELATED							DRG FILE: F:\CAD\DWGS\00-07\R142024					

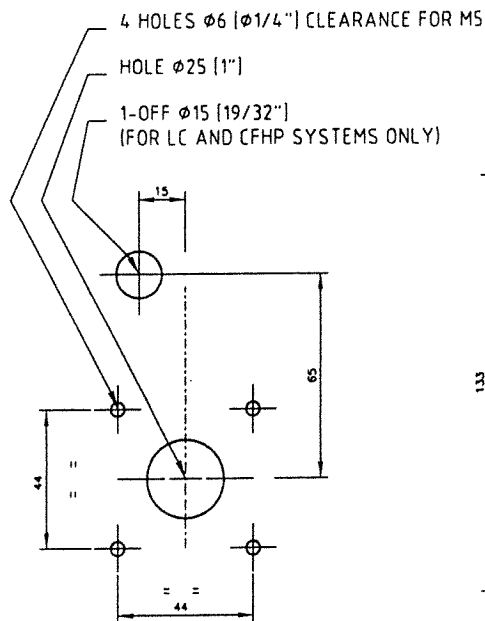
3rd ANGLE PROJECTION



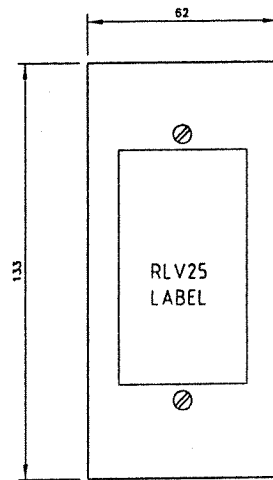
FLATNESS TO BE LESS THAN 0.4mm OVER ANY 100mm LENGTH

DIMENSIONS IN mm. UNSPECIFIED TOLERANCES NO DEC. PLACE ±0.5 1 DEC. PLACE ±0.2 2 DEC. PLACE ±0.1

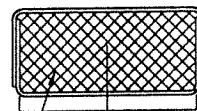
The contents of this Drawing/Document are copyright. They are to be treated as confidential and are returnable upon request. They are not to be copied, communicated in part or whole without written consent from Expo Teletron Safety Systems Ltd. Neither are they to be used in any way against our interests.



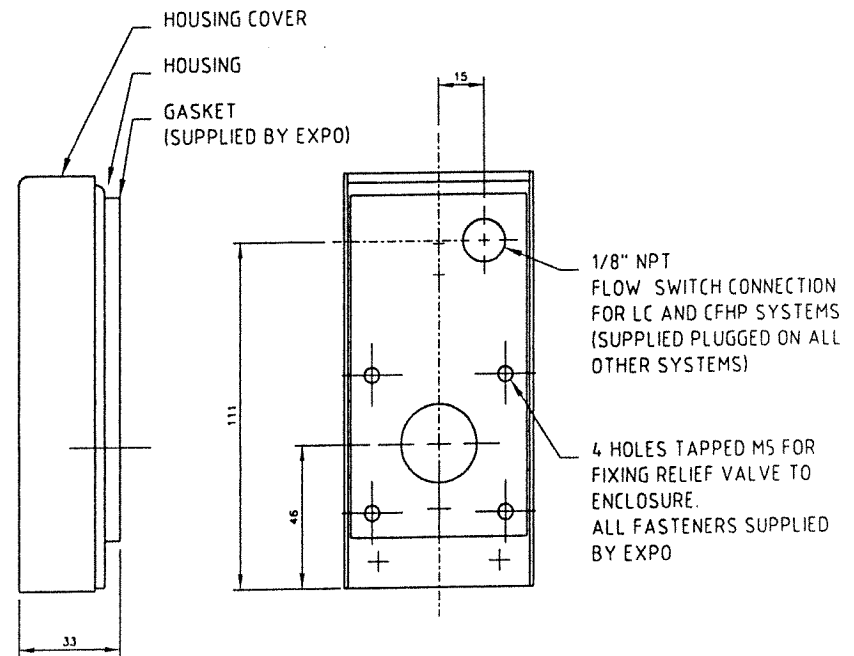
RECOMMENDED PANEL CUT-OUT DETAIL.



PURGE OUTLET DO NOT OBSTRUCT



SPARK ARRESTOR



NOTES

1. RELIEF VALVE MUST BE MOUNTED IN ORIENTATION SHOWN
2. ALL DIMENSIONS ARE SHOWN IN METRIC (IMPERIAL IN BRACKETS)
3. EXPO PART NUMBER: RLV25
4. WEIGHT: 0.5Kg (1.1 lb)

DO NOT SCALE

APP'D	ISSUE:-	ISSUE-1				MAT'L	FINISH	SURREY, ENGLAND	SCALE	N.T.S	
	MOD. No:-	DRAWN							A	A	TITLE
CHK'D	DATE:-	01/04/99				B	B	JOB No:	CUSTOMER:	SHT. No. 1 OF 1	
	APPROVED:-	ASD				C	C				
DRN	DRAWING STATUS: CERT RELATED					D	D	DRG FILE: F:\CAD\DWGS\99-04\R140241			