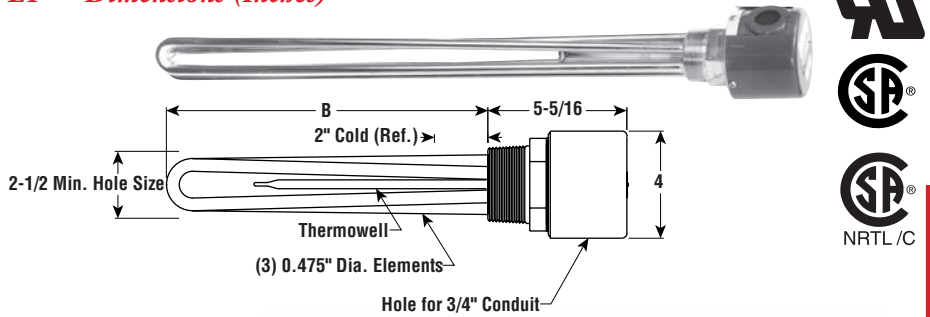


Immersion

MTO-3 Light Weight Oil Applications

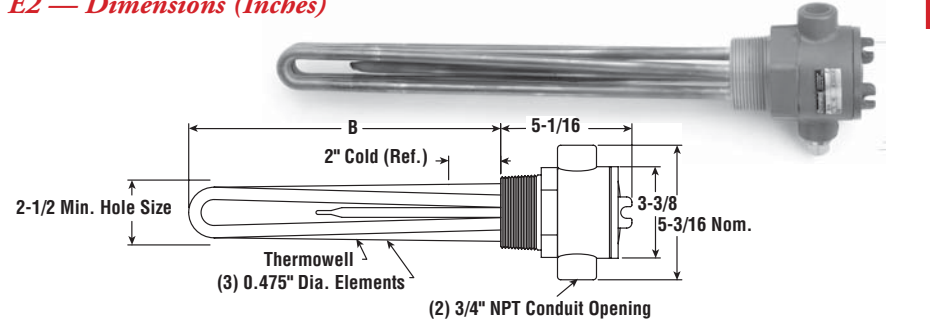
- 2-1/2" NPT Steel Screw Plug
- Steel Sheath Elements
- 23 - 26 W/In²
- 3 - 9 kW
- Without Thermostat
- 120, 208, 240 and 480 Volt, 1 and 3 Phase
- General Purpose, Moisture Resistant/Explosion Resistant Terminal Enclosure or Moisture Resistant

E1 — Dimensions (Inches)

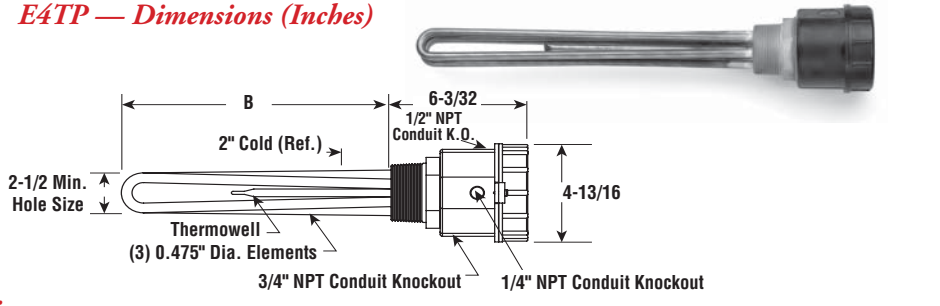


SCREW PLUG

E2 — Dimensions (Inches)



E4TP — Dimensions (Inches)



Same-day shipping on stock item orders received before 4 pm CST. 3-day shipping on assembly-stock items.

Specifications and Ordering Information

						E1 General Purpose ¹				E2 Moisture Resistant/ Explosion Resistant ²				E4 Moisture Resistant			
kW	Volts	Phase	W/In ²	No. Elem.	DIM B (In.)	Model	Stock	PCN	Wt. (Lbs.)	Model	Stock	PCN	Wt. (Lbs.)	Model	Stock	PCN	Wt. (Lbs.)
3	120	1	24	3	17-1/4	MTO-330A	AS	191716	6	MTO-330E2	AS	310869	9	MTO-330E4TP	AS	064514	12
3	208	1	24	3	17-1/4	MTO-330A	AS	322000	6	MTO-330E2	AS	322018	9	MTO-330E4TP	AS	064522	12
3	208	3	24	3	17-1/4	MTO-330A	AS	322026	6	MTO-330E2	AS	322034	9	MTO-330E4TP	AS	064530	12
3	240	1	24	3	17-1/4	MTO-330A	S	191724	6	MTO-330E2	AS	289107	9	MTO-330E4TP	AS	064549	12
3	240	3	24	3	17-1/4	MTO-330A	S	191759	6	MTO-330E2	AS	289115	9	MTO-330E4TP	AS	064557	12
3	480	1	24	3	17-1/4	MTO-330A	AS	191732	6	MTO-330E2	AS	289123	9	MTO-330E4TP	AS	064565	12
3	480	3	24	3	17-1/4	MTO-330A	S	191767	6	MTO-330E2	S	289131	9	MTO-330E4TP	AS	064573	12
3.75	120	1	26	3	19-1/16	MTO-337A	AS	191775	6	MTO-337E2	AS	310877	9	MTO-337E4TP	AS	064581	12
3.75	208	1	26	3	19-1/16	MTO-337A	AS	322042	6	MTO-337E2	AS	322050	9	MTO-337E4TP	AS	064590	12
3.75	208	3	26	3	19-1/16	MTO-337A	AS	322069	6	MTO-337E2	AS	322077	9	MTO-337E4TP	AS	064602	12
3.75	240	1	26	3	19-1/16	MTO-337A	AS	191783	6	MTO-337E2	AS	289140	9	MTO-337E4TP	AS	064610	12
3.75	240	3	26	3	19-1/16	MTO-337A	S	191812	6	MTO-337E2	AS	289158	9	MTO-337E4TP	AS	064629	12
3.75	480	1	26	3	19-1/16	MTO-337A	AS	191791	6	MTO-337E2	AS	289166	9	MTO-337E4TP	AS	064637	12
3.75	480	3	26	3	19-1/16	MTO-337A	S	191820	6	MTO-337E2	AS	289174	9	MTO-337E4TP	AS	064645	12
4.5	120	1	24	3	24-3/8	MTO-345A	AS	191839	6	MTO-345E2	AS	310885	9	MTO-345E4TP	AS	064653	12
4.5	208	1	24	3	24-3/8	MTO-345A	AS	322085	6	MTO-345E2	AS	322093	9	MTO-345E4TP	AS	064661	12
4.5	208	3	24	3	24-3/8	MTO-345A	AS	322106	6	MTO-345E2	AS	322114	9	MTO-345E4TP	AS	064670	12
4.5	240	1	24	3	24-3/8	MTO-345A	AS	191847	6	MTO-345E2	AS	289182	9	MTO-345E4TP	AS	064688	12
4.5	240	3	24	3	24-3/8	MTO-345A	S	191871	6	MTO-345E2	AS	289190	9	MTO-345E4TP	AS	064696	12
4.5	480	1	24	3	24-3/8	MTO-345A	AS	191855	6	MTO-345E2	AS	289203	9	MTO-345E4TP	AS	064709	12
4.5	480	3	24	3	24-3/8	MTO-345A	S	191880	6	MTO-345E2	S	289211	9	MTO-345E4TP	AS	064717	12
6	120	1	23	3	32-1/4	MTO-360A	AS	191898	9	MTO-360E2	AS	310893	12	MTO-360E4TP	AS	064725	15
6	208	1	23	3	32-1/4	MTO-360A	AS	322122	9	MTO-360E2	AS	322130	12	MTO-360E4TP	AS	064733	15
6	208	3	23	3	32-1/4	MTO-360A	AS	322149	9	MTO-360E2	AS	322157	12	MTO-360E4TP	AS	064741	15
6	240	1	23	3	32-1/4	MTO-360A	AS	191900	9	MTO-360E2	AS	289220	12	MTO-360E4TP	AS	064750	15
6	240	3	23	3	32-1/4	MTO-360A	S	191935	9	MTO-360E2	AS	289238	12	MTO-360E4TP	AS	064768	15
6	480	1	23	3	32-1/4	MTO-360A	AS	191919	9	MTO-360E2	AS	289246	12	MTO-360E4TP	AS	064776	15
6	480	3	23	3	32-1/4	MTO-360A	S	191943	9	MTO-360E2	S	289254	12	MTO-360E4TP	AS	064784	15

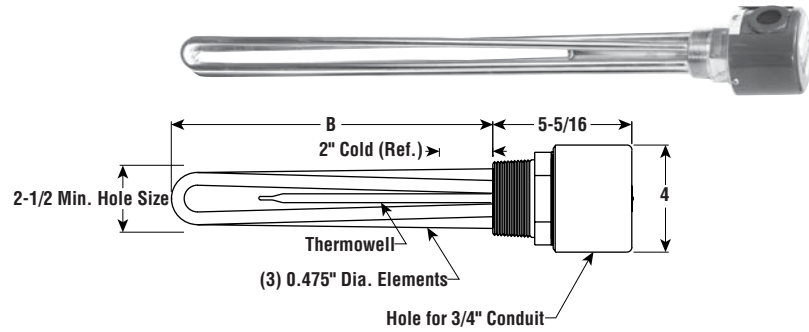
Immersion

MTO-3

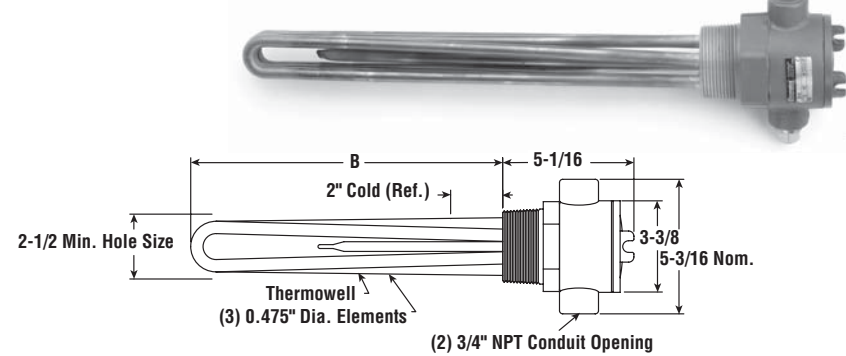
Light Weight Oil Applications (cont'd.)

- 2-1/2" NPT Steel Screw Plug
- Steel Sheath Elements
- 23 - 26 W/In²
- 3 - 9 kW
- Without Thermostat
- 120, 208, 240 and 480 Volt, 1 and 3 Phase
- General Purpose, Moisture Resistant/Explosion Resistant Terminal Enclosure or Moisture Resistant

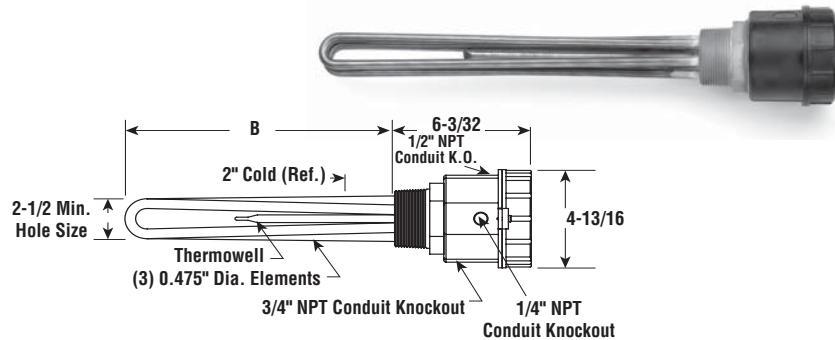
E1 — Dimensions (Inches)



E2 — Dimensions (Inches)



E4TP — Dimensions (Inches)



Specifications and Ordering Information

						E1 General Purpose ¹				E2 Moisture Resistant/Explosion Resistant ²				E4 Moisture Resistant			
kW	Volts	Phase	W/In ²	No. Elem.	DIM B (In.)	Model	Stock	PCN	Wt. (Lbs.)	Model	Stock	PCN	Wt. (Lbs.)	Model	Stock	PCN	Wt. (Lbs.)
7.5	208	1	23	3	39-3/4	MTO-375A	AS	322165	10	MTO-375E2	AS	322173	13	MTO-375E4TP	AS	064792	16
7.5	208	3	23	3	39-3/4	MTO-375A	AS	322181	10	MTO-375E2	AS	322190	13	MTO-375E4TP	AS	064805	16
7.5	240	1	23	3	39-3/4	MTO-375A	AS	191951	10	MTO-375E2	AS	289262	13	MTO-375E4TP	AS	064813	16
7.5	240	3	23	3	39-3/4	MTO-375A S	191978	10	10	MTO-375E2	AS	289270	13	MTO-375E4TP	AS	064821	16
7.5	480	1	23	3	39-3/4	MTO-375A	AS	191960	10	MTO-375E2	AS	289289	13	MTO-375E4TP	AS	064830	16
7.5	480	3	23	3	39-3/4	MTO-375A S	191986	10	10	MTO-375E2	AS	289297	13	MTO-375E4TP	AS	064848	16
9	208	1	23	3	47-1/4	MTO-390A	AS	322202	11	MTO-390E2	AS	322210	14	MTO-390E4TP	AS	064856	17
9	208	3	23	3	47-1/4	MTO-390A	AS	322229	11	MTO-390E2	AS	322237	14	MTO-390E4TP	AS	064864	17
9	240	1	23	3	47-1/4	MTO-390A	AS	191994	11	MTO-390E2	AS	289300	14	MTO-390E4TP	AS	064872	17
9	240	3	23	3	47-1/4	MTO-390A S	192014	11	11	MTO-390E2	AS	289318	14	MTO-390E4TP	AS	064880	17
9	480	1	23	3	47-1/4	MTO-390A	AS	192006	11	MTO-390E2	AS	289326	14	MTO-390E4TP	AS	064899	17
9	480	3	23	3	47-1/4	MTO-390A S	192022	11	11	MTO-390E2 S	289334	14	MTO-390E4TP	AS	064901	17	

Stock Status: S = stock AS = assembly stock NS = non-stock
To Order—Specify model, volts, phase, kW, PCN and quantity.



Same-day shipping on stock item orders received before 4 pm CST. 3-day shipping on assembly-stock items.

1. Heaters with General Purpose Enclosures are UL Recognized and CSA Certified.
2. Heaters with Moisture Resistant/Explosion Resistant Enclosures are CSA NRTL/C Certified.