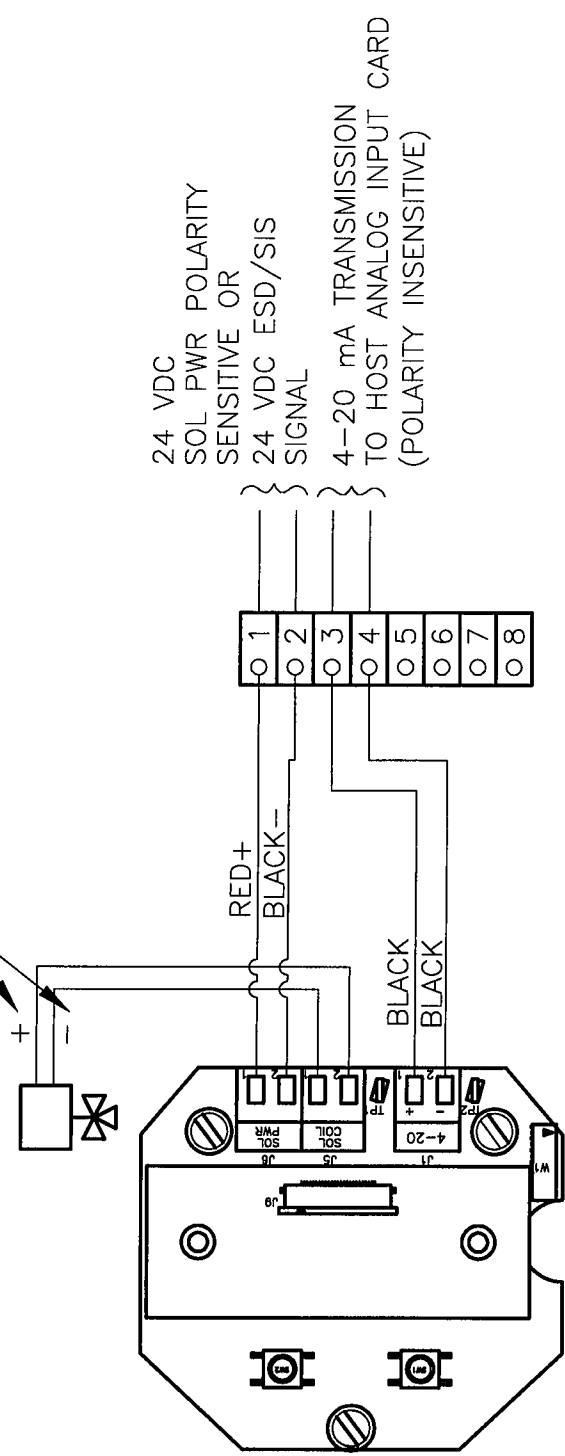


LET	DESCRIPTION	DWN.	D.W.O.	APPROVED	DATE
A	REVISED PER ECN# 1126	CBS	17496	TP	11/14/06
B	REVISED PER ECN# 11284	CBS	18007	JK	10/17/07
C	REVISED PER ECN# 11344	LB	18221	<i>gmp</i>	2-13-08

FALCON OR CUSTOMER SUPPLIED SOLENOID (NOT TO EXCEED 24VDC AT 80mA) IF APPLICABLE



24 VDC SOL PWR POLARITY SENSITIVE OR  
 24 VDC ESD/SIS SIGNAL  
 4-20 mA TRANSMISSION TO HOST ANALOG INPUT CARD (POLARITY INSENSITIVE)

- NOTE:
- PARTIAL STROKE TEST (PST) INPUT J5 IS POLARITY INSENSITIVE.
  - REFER TO IDENTIFICATION LABEL OF THE UNIT(S) AND/OR PILOT VALVES FOR ELECTRICAL PARAMETERS.

<p>THIS DRAWING CONTAINS CONFIDENTIAL INFORMATION AND IS ISSUED IN CONFIDENCE ON THE CONDITION THAT IT BE RETURNED ON DEMAND AND NOT BE COPIED, REPRODUCED, DISCLOSED TO OTHERS OR USED IN MANUFACTURE OF THE SUBJECT MATTER THEREOF WITHOUT THE WRITTEN CONSENT OF WESTLOCK CONTROLS CORP.</p>		<p>UNITS ARE IN INCHES UNLESS OTHERWISE SPECIFIED</p> <p>TOLERANCES UNLESS OTHERWISE SPECIFIED:</p> <p>INCHES: .XX ± .015, .XXX ± .005, ANGLE ± 1/2°</p> <p>MILLIMETERS: .X ± .4, .XX ± .13, ANGLE ± 1/2°</p> <p>THIRD ANGLE PROJECTION</p>		<p>APPROVAL DATE: 3/29/05</p> <p>DRAWN: MKT</p> <p>CHECKED: MKT</p> <p>APPROVED: RC</p> <p>DRAFTING WORK ORDER: 16667</p> <p>MATERIAL: N/A</p> <p>DO NOT SCALE DRAWING</p>		<p>DATE: 3/29/05</p> <p>DATE: 2-12-08</p> <p>DATE: 3/30/05</p>	
<p>WESTLOCK CONTROLS CORPORATION</p>				<p>WIRING DIAGRAM D-EPIC D460/D470</p>		<p>REV: C</p>	
<p>OPTIONAL ESD/PST &amp; SOLENOID 8PT</p>				<p>SIZE: A</p> <p>DWG NUMBER: WD-11868</p> <p>SCALE: N/A</p>		<p>SHEET: 1 OF 1</p>	