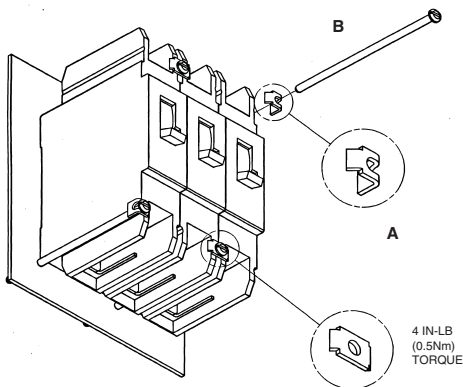




PANEL MOUNTING INSTRUCTIONS FOR 1492-MCC CIRCUIT BREAKERS

1492-AMCP2
KIT CONTENTS
4 SCREWS
4 LOCK WASHERS
2 "A" BRACKETS
2 "B" BRACKETS



ASS'Y ILLUSTRATION ONE ONE POLE BREAKERS

TYPE OF BREAKER	# OF BREAKER	DRILLING PATTERN	ASSEMBLY INSTRUCTIONS	QUANTITY REQUIRED		
				SCREWS & WASHERS	"A" BRACKETS	"B" BRACKETS
ONE POLE	3	FIG 1	ILL. ONE	4	2	2
	2			3	2	1
	1			2	2	NONE
TWO POLE	2	FIG 2	NONE SHOWN	4	NONE	NONE
	1			2	NONE	NONE

CAT MADE IN U.S.A.

1492-AMCP2

SER

A

1

KIT



1 07 81180 66668 8

**PANEL MOUNTING
HARDWARE**

DRILLING PATTERNS

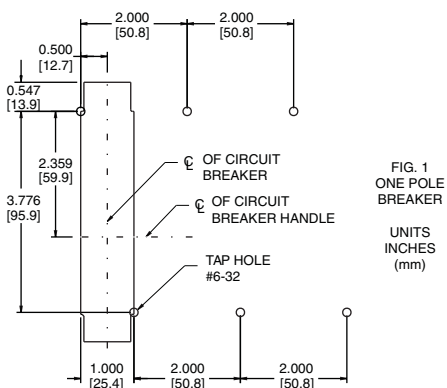


FIG. - 1 (1POLE)

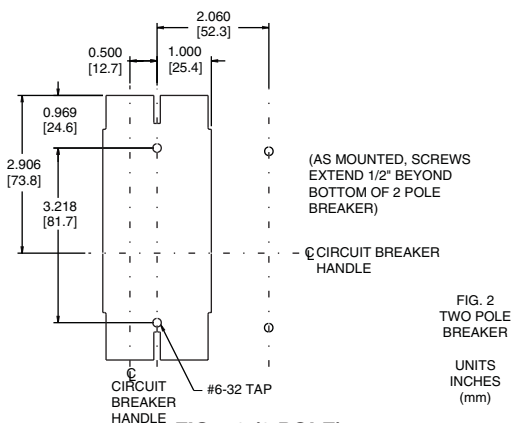


FIG. - 2 (2 POLE)