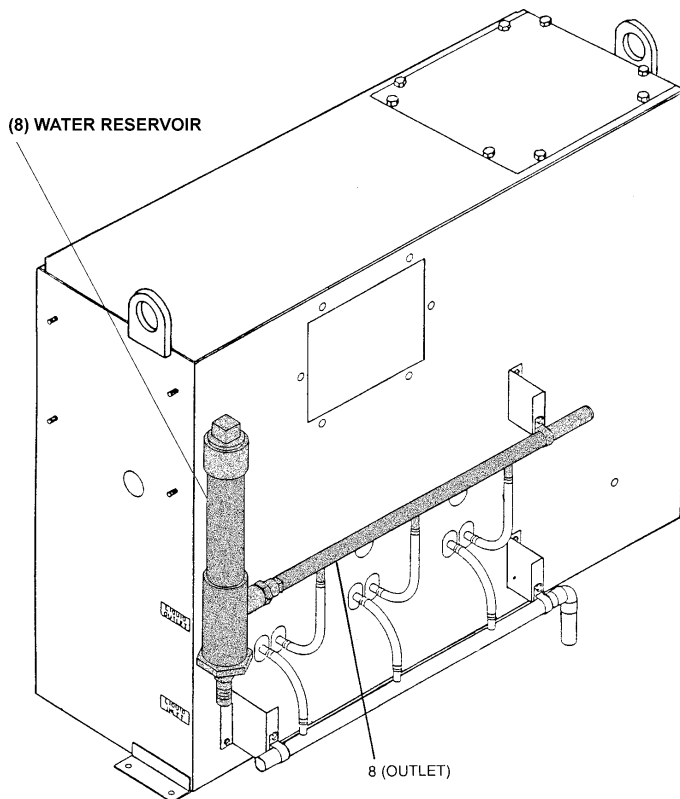
	Form No.: 160.46-RP1.4 (LS1)	501
	Supersedes: None	
LITERATURE SUPPLEMENT	File with: 160.46-RP1.4	
Subject: Updated Water Reservoir Part Number (Liquid Cooled Solid State Starters)		

General

Prior to 1/93 an outlet water header was used, that needed filled with coolant by using a hose. The coolant was gravity fed into the outlet water header to. After 1/93 a coolant reservoir was added to the outlet water header, so air could be removed from the cooling system.

Problem: The renewal parts book for the Liquid Cooled Solid State Starter form 160.46-RP1.4 page 15, seems to indicate that the coolant reservoir is a separate part number from the outlet water header. This has caused much confusion in the field.

Solution: The outlet water header and the coolant reservoir are one part. If your customer’s equipment has a cracked water reservoir, order the header water outlet (371-01405-000).



Note that water reservoir and header pipe (shaded) are supplied as one piece.