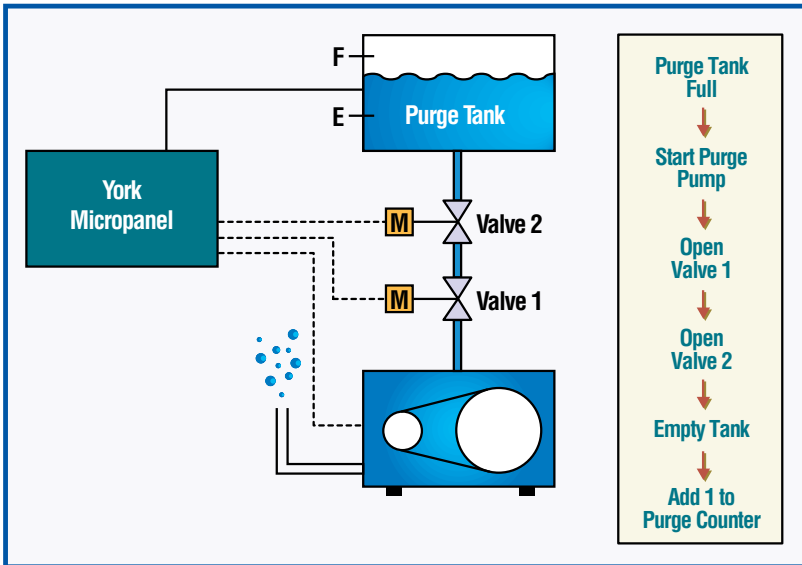




YORK[®]

Enhancement Services

SmartPurge™ Retrofit Automatic purge for two-stage absorption chillers



A smart enhancement for easier maintenance, consistent performance

Now there's a purge retrofit available for YORK two-stage absorption chillers that maintains performance while eliminating the hassles of manual purging.

A SmartPurge retrofit pays you back by maintaining peak performance by eliminating non-condensibles that could raise operating pressures. It also eliminates the time spent in manual purging. When the purge tank is full, SmartPurge automatically empties its contents and alerts the operator if the unit is purging too frequently. This convenient feature reduces labor and maintenance time—saving up to ten hours per week—since no personnel are needed to purge the unit or empty the purge tank.

With SmartPurge, there's no worry of purge-system neglect or abuse. If purging is not done often enough, non-condensibles in combination with lithium bromide can corrode the absorber. Conversely, if done too often, absorber solution can be carried over to the purge pump and cause extensive damage.

SmartPurge also enhances equipment reliability by giving an early warning of a leak—a capability only available from YORK. Because of SmartPurge's frequent purging alert, the YORK system gives an early warning that lets you take action to stop leaks and related corrosion.

Safeguard your chiller

A SmartPurge retrofit is a smart investment that is always on guard to warn against leaks, to protect the system from corrosion-producing non-condensibles, and to ensure you're getting all the performance your chiller was designed to provide.

Our Features

- Automatically removes non-condensibles that in combination with lithium bromide can corrode the absorber
- Keeps non-condensibles from raising operating pressures
- Fully automatic operation
- Digital technology
- Warning message output to micropanel display or to your BAS

Your Benefits

- Extend equipment life
- Protect your investment
- Enhances peak performance
- Eliminates maintenance labor and time
- No manual labor required to purge unit or empty purge tank
- Accurate operation
- Counts number of purges
- Automatically senses pressure levels to determine when to purge non-condensibles
- Provides "Early Warning System"
- Purge-frequency increase indicates leak, allowing prompt repair

Enhancement Services

Advanced SmartPurge Absorption Purges

Digital operation

The SmartPurge employs digital technology for accurate operation. It retains a purge count in resident memory. It automatically senses pressure levels to determine when to purge non-condensibles. And it will output a warning message on the chiller micropanel or to your own building automation system for appropriate action.

Ordering data

Call your local YORK Service office for details on price and installation.