	Form: 150.62-RP5 (LS01)	1204
	Supercedes: None	
LITERATURE SUPPLEMENT	File with: 150.62-RP5 (603)	
Subject: Corrected COMPRESSOR part number information. (See pages 17 and 18).		

**MODELS YCAL0043, 0057, 0073, 0087, 0107, 0117, 0133, 0147,  
0157, 0173, 0197, 0217, 0237 and YCAL0253**

**STYLE "A & B"**

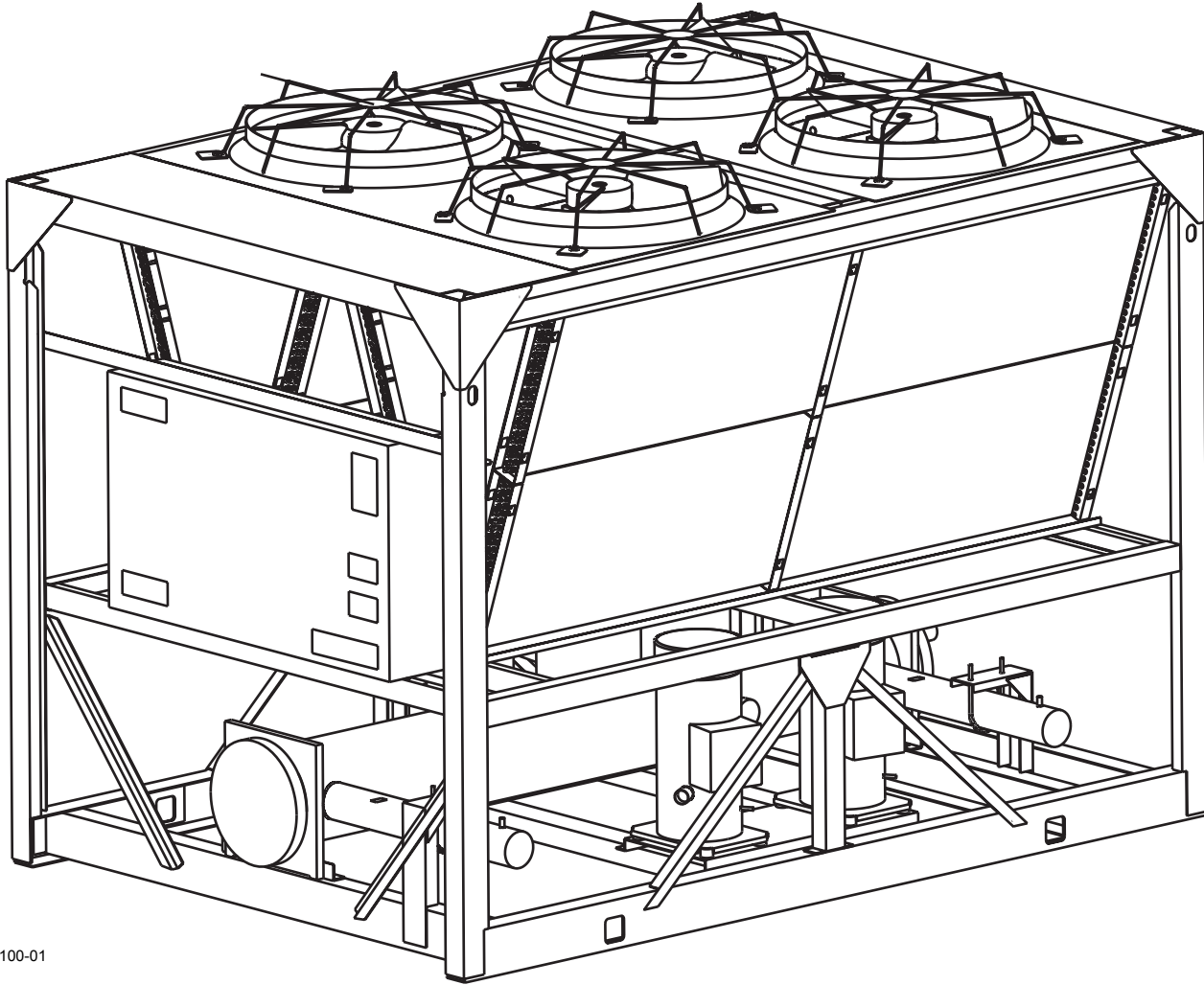
Corrected COMPRESSOR part number information.  
(See pages 17 and 18).

NOTE: The pages contained within this supplement may be substituted for pages in 150.62-RP5 (703)



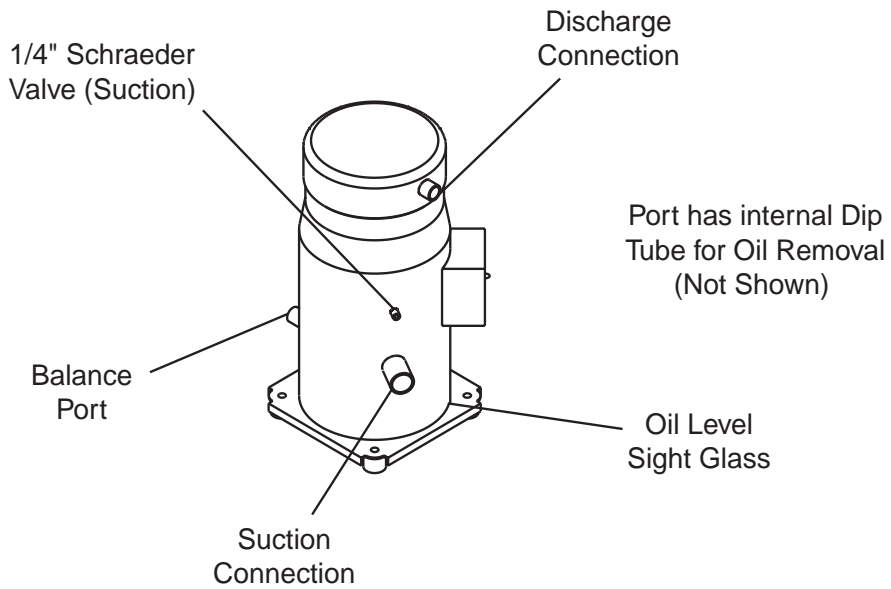
380/415-3-50  
MODELS ONLY

# COMPRESSOR



30612-100-01

**FIG. 5 – COMPRESSOR - TYPICAL LAYOUT (REF. TABLES 6 AND 6A, PAGES 17 AND 18)**



30612-100-01a

**FIG. 5A – COMPRESSOR (REF. TABLES 6 AND 6A, PAGES 17 AND 18)**

## COMPRESSOR (CONT'D)

**TABLE 6 – COMPRESSOR PART NUMBERS - R-22**  
(SEE FIGS. 5 AND 5A, PAGE 16)

**R-22**

MODEL	VOLTAGE CODE	SYSTEM #1 COMPRESSOR			SYSTEM #2 COMPRESSOR		
		PART #	MODEL #	QTY	PART #	MODEL #	QTY
YCAL0043	-50	026-36517-004	SM090	2	N/A	N/A	N/A
YCAL0057	-50	026-36518-004	SM120	2	N/A	N/A	N/A
YCAL0073	-50	026-36500-002	SM160	2	N/A	N/A	N/A
YCAL0087	-50	026-36162-002	SM185	2	N/A	N/A	N/A
YCAL0107	-50	026-36500-002	SM160	3	N/A	N/A	N/A
YCAL0117	-50	026-36514-002	SM125	2	026-36514-002	SM125	2
YCAL0133	-50	026-36500-002	SM160	2	026-36514-002	SM125	2
YCAL0147	-50	026-36500-002	SM160	2	026-36500-002	SM160	2
YCAL0157	-50	026-36162-002	SM185	2	026-36500-002	SM160	2
YCAL0173	-50	026-36162-002	SM185	2	026-36162-002	SM185	2
YCAL0197	-50	026-36500-002	SM160	3	026-36514-002	SM125	3
YCAL0217	-50	026-36500-002	SM160	3	026-36500-002	SM160	3
YCAL0237	-50	026-36162-002	SM185	3	026-36500-002	SM160	3
YCAL0253	-50	026-36162-002	SM185	3	026-36162-002	SM185	3

**Compressor**

## COMPRESSOR (CONT'D)

**TABLE 6A – COMPRESSOR PART NUMBERS - 407C**  
(SEE FIGS. 5 AND 5A, PAGE 16)

**R-407C**

MODEL	VOLTAGE CODE	SYSTEM #1 COMPRESSOR			SYSTEM #2 COMPRESSOR		
		PART #	MODEL #	QTY	PART #	MODEL #	QTY
YCAL0043	-50	026-37506-004	SZ090	2	N/A	N/A	N/A
YCAL0057	-50	026-37507-004	SZ120	2	N/A	N/A	N/A
YCAL0073	-50	026-37504-002	SZ160	2	N/A	N/A	N/A
YCAL0087	-50	026-37503-002	SZ185	2	N/A	N/A	N/A
YCAL0107	-50	026-37504-002	SZ160	3	N/A	N/A	N/A
YCAL0117	-50	026-37505-002	SZ125	2	026-37505-002	SZ125	2
YCAL0133	-50	026-37504-002	SZ160	2	026-37505-002	SZ125	2
YCAL0147	-50	026-37504-002	SZ160	2	026-37504-002	SZ160	2
YCAL0157	-50	026-37503-002	SZ185	2	026-37504-002	SZ160	2
YCAL0173	-50	026-37503-002	SZ185	2	026-37503-002	SZ185	2
YCAL0197	-50	026-37504-002	SZ160	3	026-37505-002	SZ125	3
YCAL0217	-50	026-37504-002	SZ160	3	026-37504-002	SZ160	3
YCAL0237	-50	026-37503-002	SZ185	3	026-37504-002	SZ160	3
YCAL0253	-50	026-37503-002	SZ185	3	026-37503-002	SZ185	3

**Compressor**

## COMPRESSOR (CONT'D)

**TABLE 6B – HEATER KIT AND PART NUMBERS**

CHILLER MODEL	COMPRESSOR MODEL	HEATER KIT NUMBER	HEATER PART NUMBER	QUANTITY
YCAL0043	S-090	575-45141-001	025-35139-000	2
YCAL0057	S-120	575-45141-001	025-35139-000	2
YCAL0073	S-160	575-45141-001	025-35139-000	2
YCAL0087	S-185	575-45141-002	025-35140-000	2
YCAL0107	S-160	575-45141-003	025-35139-000	3
YCAL0117	S-125	575-45141-004	025-35139-000	4
YCAL0133	S-160 S-125	575-45141-004	025-35139-000	4
YCAL0147	S-160	575-45141-004	025-35139-000	4
YCAL0157	S-185	575-45141-005	025-35140-000 (Sys 1)	2
	S-160		025-35139-000 (Sys 2)	2
YCAL0173	S-185	575-45141-006	025-35140-000	4
YCAL0197	S-160	575-45141-007	025-35139-000	6
	S-125			
YCAL0217	S-160	575-45141-007	025-35139-000	6
YCAL0237	S-185	575-45141-008	025-35140-000 (Sys 1)	3
	S-160		025-35139-000 (Sys 2)	3
YCAL0253	S-185	575-45141-009	025-35140-000	6

**Compressor**
**TABLE 6C – REQUIRED TRANSFORMER  
(NOT INCLUDED IN HEATER KIT)**

CHILLER MODEL	CONTROL POWER TRANSFORMER	VOLTAGE CODE	PART NUMBER
ALL	1 KVA	-50	025-35683-000

**Service Note:**

Heater kit includes all wiring, conduit, clamps, etc. for entire unit. Heater does not include required 1.0KVA transformer.

**TABLE 6D – COMPRESSOR OIL TYPE**

ITEM	REF.	DESCRIPTION	5 GALLON
OIL <sup>s</sup>	R-22	Oil, Type 'F' (Mineral)	011-00434-000
	R-407C	Oil, Type 'T'	011-00936-000

<sup>s</sup> = Recommended Spare Parts

