	Form: 150.62-RP4 (LS01)	104
	Supercedes: None	
LITERATURE SUPPLEMENT	File with: 150.62-RP4 (503)	
Subject: Revised LOUVERED ENCLOSURE and WIRE ENCLOSURE information. (See pages 84 thru 87).		

**MODELS YCAL0014, 0020, 0024, 0030, 0034, 0040, 0042, 0044,
0050, 0060, 0064, 0070, 0074, AND YCAL0080**

Revised LOUVERED ENCLOSURE and WIRE ENCLOSURE information.
(See pages 84 thru 87).

NOTE: The pages contained within this supplement
may be substituted for pages in 150.62-RP4 (503)



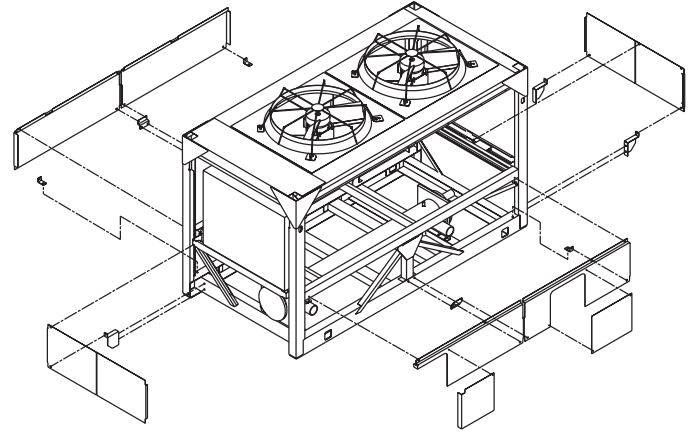
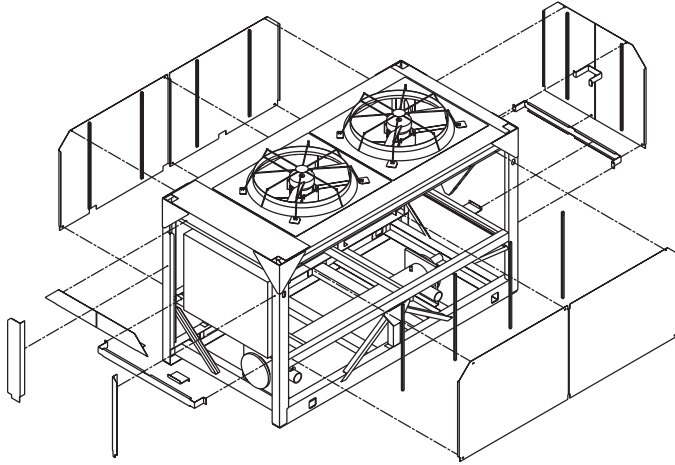
200-3-60
230-3-60
315-3-60
460-3-60
575-3-60
MODELS ONLY

ENCLOSURE KIT OPTIONS

TABLE 12 – ENCLOSURE KIT OPTIONS - TOP AND BOTTOM SECTIONS
(SEE FIGS. 16-19, PAGES 84-87)

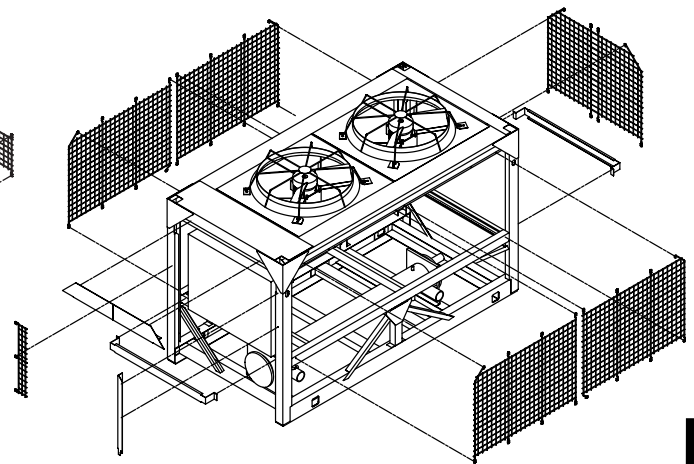
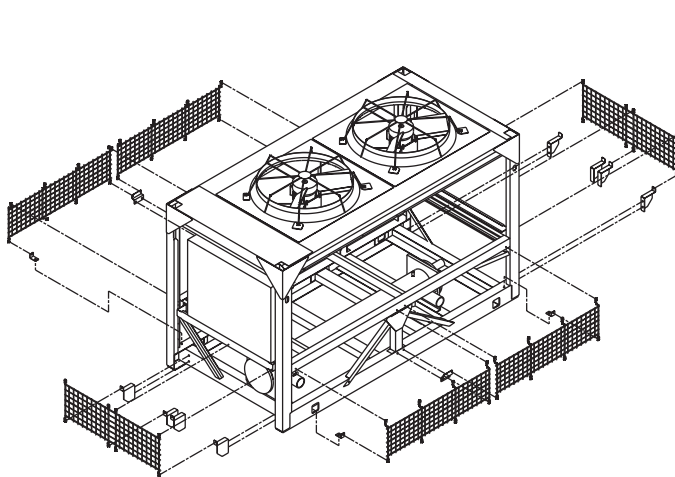
MODEL NUMBER YCAL-	WIRE ENCLOSURE	LOUVERED ENCLOSURE	WIRE / LOUVERED ENCLOSURE	LOUVERED ENCLOSURE CONDENSER ONLY
0014 (Top)	475-31869-000	475-31867-000	475-31867-000	475-31867-000
0014 (Bottom)	475-31870-000	475-31868-000	475-31870-000	N/A
0020 (Top)	475-31869-000	475-31867-000	475-31867-000	475-31867-000
0020 (Bottom)	475-31870-000	475-31868-000	475-31870-000	N/A
0024 (Top)	475-31834-000	475-31832-000	475-31832-000	475-31832-000
0024 (Bottom)	475-31835-000	475-31833-000	475-31835-000	N/A
0030 (Top)	475-31834-000	475-31832-000	475-31832-000	475-31832-000
0030 (Bottom)	475-31835-000	475-31833-000	475-31835-000	N/A
0034 (Top)	475-31834-000	475-31832-000	475-31832-000	475-31832-000
0034 (Bottom)	475-31835-000	475-31833-000	475-31835-000	N/A
0040 (Top)	475-31297-000	475-30966-000	475-30966-000	475-30966-000
0040 (Bottom)	475-31298-000	475-31299-000	475-31298-000	N/A
0042 (Top)	475-31297-000	475-30966-000	475-30966-000	475-30966-000
0042 (Bottom)	475-31298-000	475-31299-000	475-31298-000	N/A
0044 (Top)	475-31297-000	475-30966-000	475-30966-000	475-30966-000
0044 (Bottom)	475-31298-000	475-31299-000	475-31298-000	N/A
0050 (Top)	475-31297-000	475-30966-000	475-30966-000	475-30966-000
0050 (Bottom)	475-31298-000	475-31299-000	475-31298-000	N/A
0060 (Top)	475-31297-000	475-30966-000	475-30966-000	475-30966-000
0060 (Bottom)	475-31298-000	475-31299-000	475-31298-000	N/A
0064 (Top)	475-31808-000	475-31806-000	475-31806-000	475-31806-000
0064 (Bottom)	475-31809-000	475-31807-000	475-31809-000	N/A
0070 (Top)	475-31808-000	475-31806-000	475-31806-000	475-31806-000
0070 (Bottom)	475-31809-000	475-31807-000	475-31809-000	N/A
0074 (Top)	475-31808-000	475-31806-000	475-31806-000	475-31806-000
0074 (Bottom)	475-31809-000	475-31807-000	475-31809-000	N/A
0080 (Top)	475-31808-000	475-31806-000	475-31806-000	475-31806-000
0080 (Bottom)	475-31809-000	475-31807-000	475-31809-000	N/A

ENCLOSURE KIT OPTIONS (CONT'D)



31867-01

Louvered Enclosure Kits

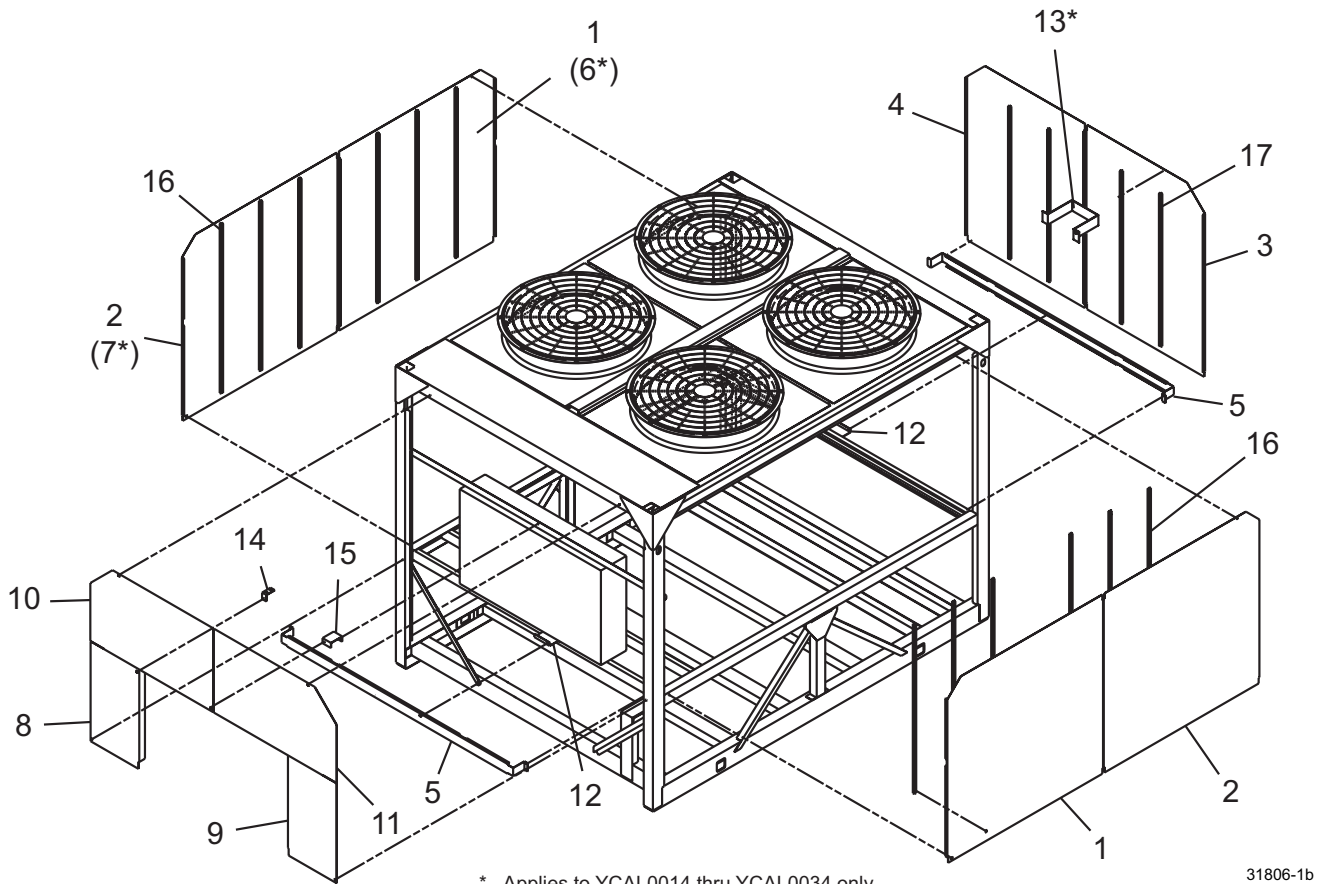


31870-01

Wire Enclosure Kits

FIG. 15 – TYPICAL ENCLOSURE KITS (WIRE AND LOUVERED)

ENCLOSURE KIT OPTIONS (CONT'D)



* - Applies to YCAL0014 thru YCAL0034 only.

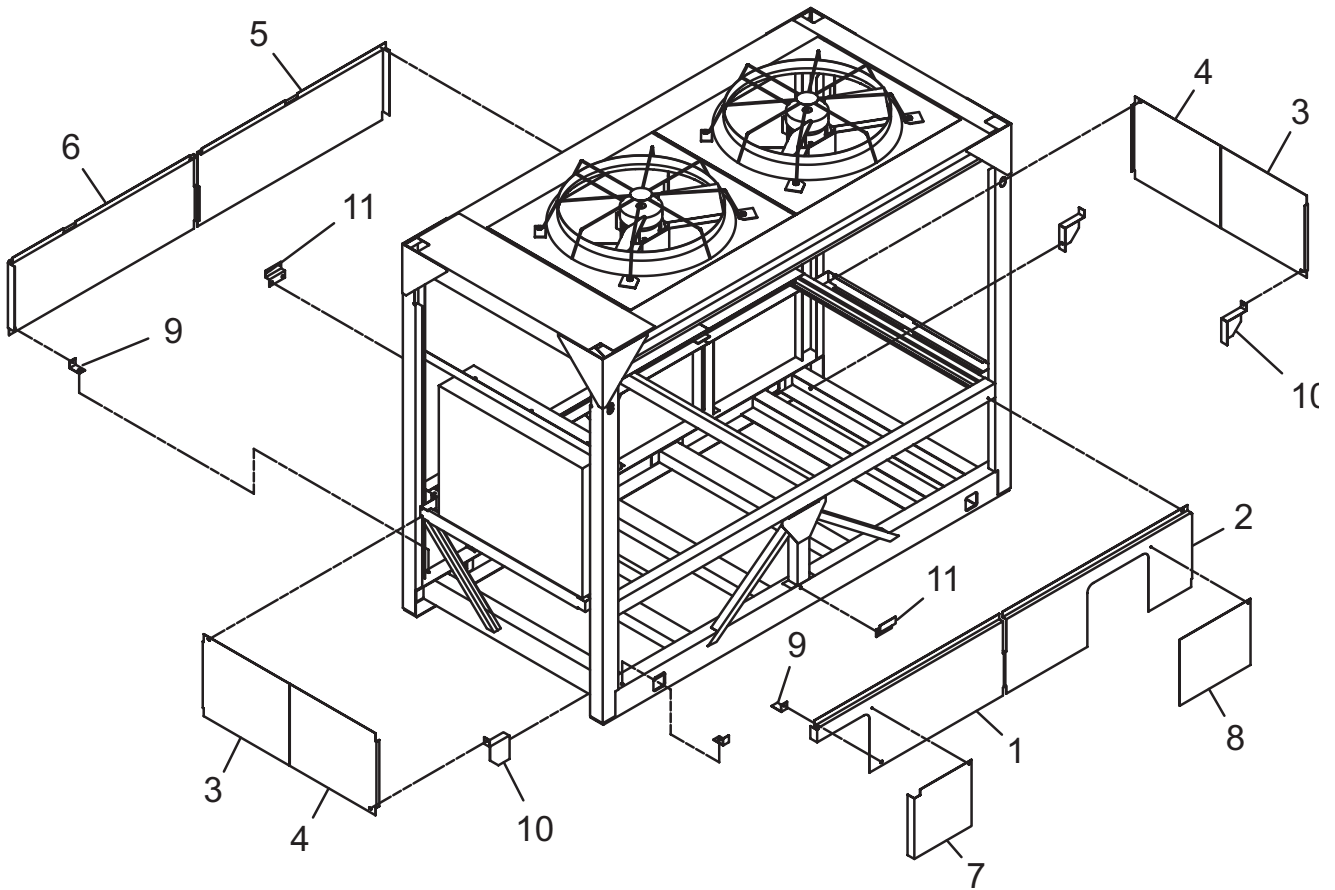
31806-1b

FIG. 16 – LOUVERED ENCLOSURE (TOP SECTIONS) - 475-31806-000 SHOWN (REF. TABLE 13)

TABLE 13 – LOUVERED ENCLOSURE (TOP SECTIONS) - (SEE FIG. 16)

LOUVERED ENCLOSURE (TOP SECTIONS)		YCAL0014 & 0020		YCAL0024, 0030 & 0034		YCAL0040, 0042, 0044, 0050 & 0060		YCAL0064, 0070, 0074 & 0080	
ITEM #	DESCRIPTION	475-31867	QTY	475-31832	QTY	475-30996	QTY	475-31806	QTY
1	LOUVERED PANEL (SIDE)	075-31875	1	075-31840	1	075-30682	2	075-31811	2
2	LOUVERED PANEL (SIDE)	075-31874	1	075-31839	1	075-30681	2	075-31810	2
3	LOUVERED PANEL (REAR)	075-31876	1	075-31842	1	075-31283	1	075-31816	1
4	LOUVERED PANEL (REAR)	075-31877	1	075-31843	1	075-31717	1	075-31817	1
5	BRACKET	075-31844	2	075-31844	2	075-31284	2	075-31818	2
6	LOUVERED PANEL (SIDE)	075-31878	1	075-31854	1	N/A	-	N/A	-
7	LOUVERED PANEL (SIDE)	075-31879	1	075-31855	1	N/A	-	N/A	-
8	LOUVERED PANEL	075-31880	1	075-31852	1	075-31295	1	075-31812	1
9	LOUVERED PANEL	075-31881	1	075-31853	1	075-31296	1	075-31813	1
10	LOUVERED PANEL (FRONT)	075-28557	1	075-31845	1	075-31803	1	075-31814	1
11	LOUVERED PANEL (FRONT)	075-28558	1	075-31846	1	075-31286	1	075-31815	1
12	SUPPORT	075-37936	2	075-37936	2	075-37936	2	075-37936	2
13	SUPPORT	075-37945	1	075-37945	1	N/A	-	N/A	-
14	CLIP	N/A	-	N/A	-	075-37938	2	075-37938	2
15	BRACKET	N/A	-	075-37937	1	075-37937	1	075-37937	1
16	CHANNEL	075-37947	10	075-37946	10	075-37943	12	075-37939	12
17	CHANNEL	N/A	-	N/A	-	075-37944	4	075-37940	4

ENCLOSURE KIT OPTIONS (CONT'D)



31833-1

FIG. 17 – LOUVERED ENCLOSURE (BOTTOM SECTIONS) - 475-31833-000 SHOWN (REF. TABLE 14)

TABLE 14 – LOUVERED ENCLOSURE (BOTTOM SECTIONS) - (SEE FIG. 17)

LOUVERED ENCLOSURE (BOTTOM SECTIONS)		YCAL0014 & 0020		YCAL0024, 0030 & 0034		YCAL0040, 0042, 0044, 0050 & 0060		YCAL0064, 0070, 0074 & 0080	
ITEM #	DESCRIPTION	475-31868	QTY	475-31833	QTY	475-31299	QTY	475-31807	QTY
1	LOUVERED PANEL (SIDE)	075-31882	1	075-31856	1	075-31287	1	075-31821	1
2	LOUVERED PANEL (SIDE)	075-31883	1	075-31857	1	075-31290	1	075-31822	1
3	LOUVERED PANEL (FRONT)	075-31884	2	075-31860	2	075-31293	2	075-31820	2
4	LOUVERED PANEL (FRONT)	075-31885	2	075-31861	2	075-31718	2	075-31819	2
5	LOUVERED PANEL (SIDE)	075-31886	1	075-31859	1	075-31292	1	075-31292	1
6	LOUVERED PANEL (SIDE)	075-31887	1	075-31858	1	075-31291	1	075-31291	1
7	LOUVERED PANEL	075-31723	1	075-31723	1	075-31719	1	075-31722	1
8	LOUVERED PANEL	075-31725	1	075-31724	1	075-31720	1	075-31721	1
9	CLIP	075-31285	12	075-31285	12	075-31285	12	075-31285	12
10	BRACKET	075-31294	8	075-31294	8	075-31294	10	075-31294	10
11	BRACKET	075-31711	2	075-31711	2	075-31711	2	075-31711	2

Chiller Options

ENCLOSURE KIT OPTIONS (CONT'D)

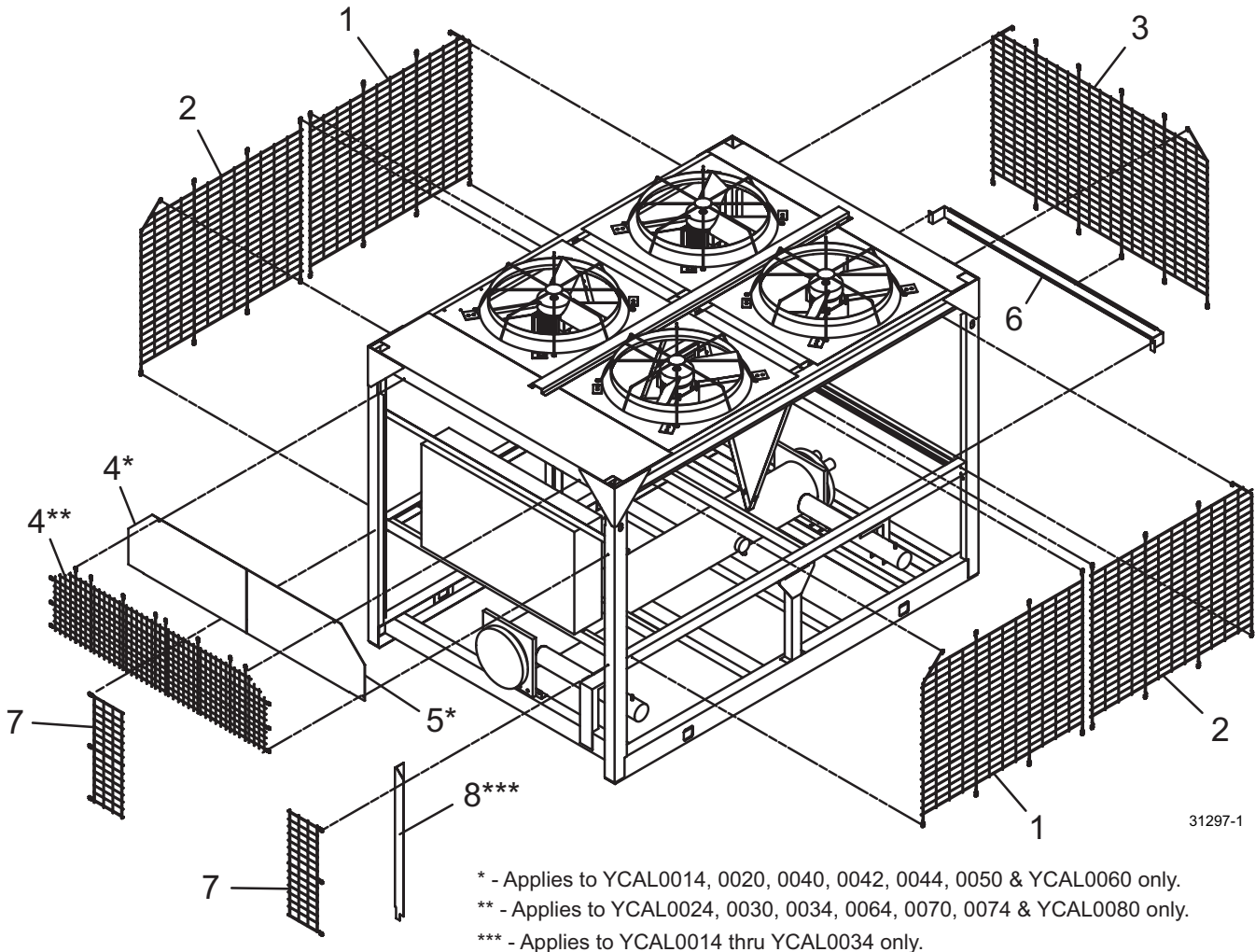


FIG. 18 – WIRE ENCLOSURE (TOP SECTIONS) - 475-31297-000 SHOWN (REF. TABLE 15)

TABLE 15 – WIRE ENCLOSURE (TOP SECTIONS) - (SEE FIG. 18)

WIRE ENCLOSURE (TOP SECTIONS)		YCAL0014 & 0020		YCAL0024, 0030 & 0034		YCAL0040, 0042, 0044, 0050 & 0060		YCAL0064, 0070, 0074 & 0080	
ITEM #	DESCRIPTION	475-31869	QTY	475-31834	QTY	475-31297	QTY	475-31808	QTY
1	GRILLE	075-36573	2	026-36562	2	026-36547	2	026-36556	2
2	GRILLE	026-36574	2	026-36563	2	026-36551	2	026-36557	2
3	GRILLE	026-36575	1	026-36564	1	026-36549	1	026-36558	1
4	GRILLE (FRONT)	N/A	-	026-36595	1	N/A	-	026-36594	1
	PANEL (FRONT)	075-28557	1	N/A	-	075-31803	1	N/A	-
5	PANEL (FRONT)	075-28558	1	N/A	-	075-31286	1	N/A	-
6	BRACKET	075-31844	2	075-31844	2	075-31284	1	075-31818	2
7	GRILLE	026-36578	1	026-36565	1	026-36555	2	026-36559	2
8	LOUVERED PANEL	075-31881	1	075-31724	1	N/A	-	N/A	-

ENCLOSURE KIT OPTIONS (CONT'D)

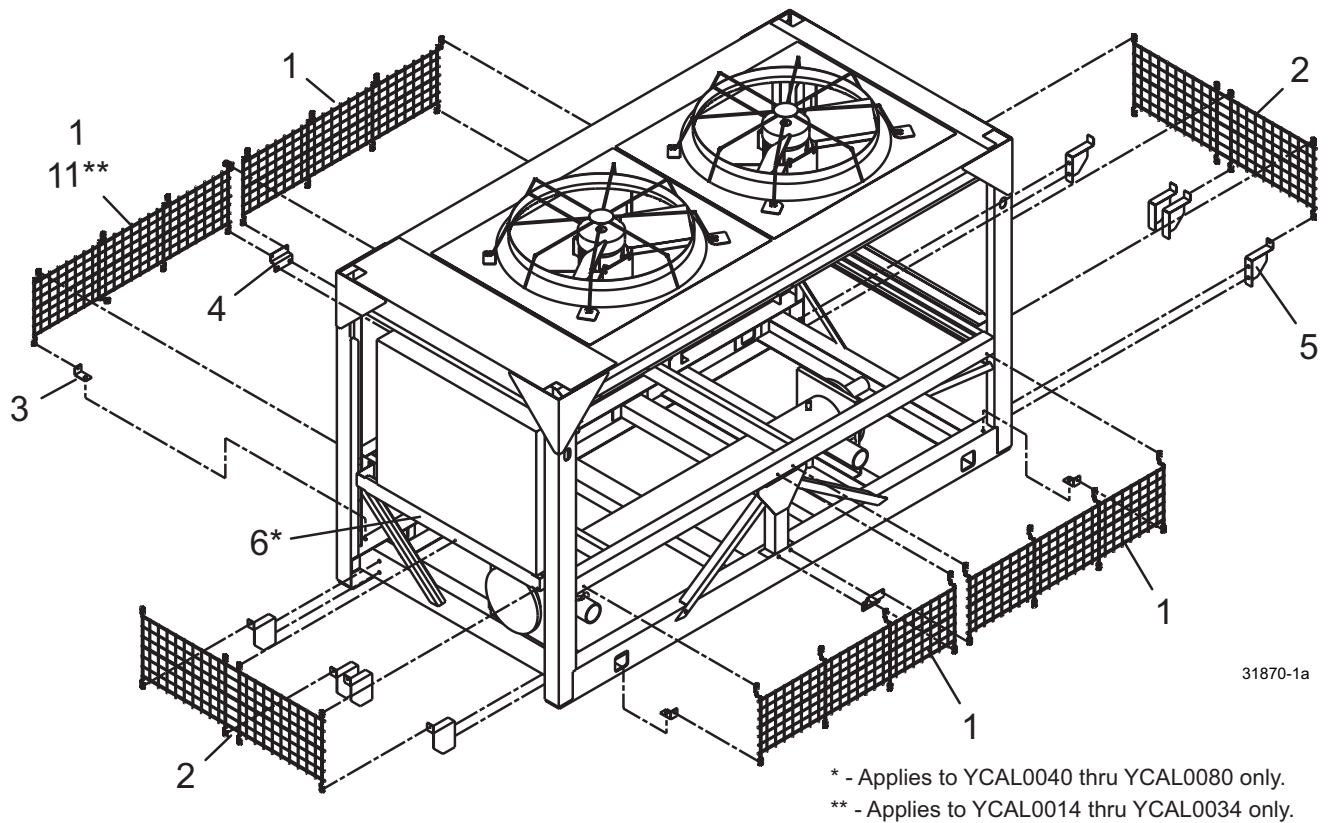


FIG. 19 – WIRE ENCLOSURE (BOTTOM SECTIONS) - 475-31833-000 SHOWN (REF. TABLE 16)

TABLE 16 – WIRE ENCLOSURE (BOTTOM SECTIONS) - (SEE FIG. 19)

WIRE ENCLOSURE (BOTTOM SECTIONS)		YCAL0014 & 0020		YCAL0024, 0030 & 0034		YCAL0040, 0042, 0044, 0050 & 0060		YCAL0064, 0070, 0074 & 0080	
ITEM #	DESCRIPTION	475-31870	QTY	475-31835	QTY	475-31298	QTY	475-31809	QTY
1	GRILLE	026-36576	3	026-36566	3	026-36548	4	026-36548	4
2	GRILLE	026-36577	2	026-36567	2	026-36550	2	026-36560	2
3	CLIP	075-31285	12	075-31285	12	075-31285	12	075-31285	12
4	BRACKET	075-31711	2	075-31711	2	075-31711	2	075-31711	2
5	BRACKET	075-31294	8	075-31294	8	075-31294	10	075-31294	16
6	BRACKET	N/A	-	N/A	-	075-31284	1	075-31284	1
11	GRILLE	026-36779	1	026-36780	1	N/A	-	N/A	-

Chiller Options

