



**AIR-COOLED LIQUID CHILLERS
HERMETIC SCROLL 50 HZ**

RENEWAL PARTS

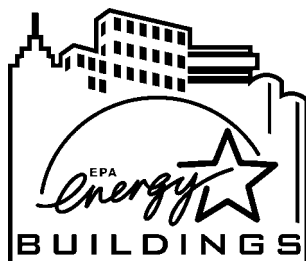
New Release

Form: 150.62-RP3 (603)

**MODELS YCAL0043EC, 0057, 0073, 0087, 0107, 0117, 0133, 0147,
0157, 0173, 0197, 0217, 0237, AND YCAL0253EC
STYLE "C"**



29302A



ALLY

10 - 70 TON
35 - 246 Kw
50 Hz



360/415-3-50
MODELS ONLY

TABLE OF CONTENTS

	PAGE
UNIT NOMENCLATURE NAMEPLATE ENGINEERING DATA	3
EVAPORATOR	
EVAPORATOR COMPONENTS	4
CONDENSER	
CONDENSER COIL COMPONENTS	8
FAN	
FAN COMPONENTS	10
PIPING	
REFRIGERANT AND OIL PIPING COMPONENTS	11
COMPRESSOR	
COMPRESSOR	16
CONTROL AND POWER PANELS	
CONTROL PANEL AND POWER PANEL	20
SENSOR HARNESES	39
TRANSDUCERS, PRESSURE CUTOUTS AND TEMP SENSORS	42
WIRE HARNESS CONNECTORS - FIELD REPLACEMENT PART NUMBERS	43
CHILLER OPTIONS	
YCAL CHILLER OPTIONS - KITS	44
ENCLOSURE KIT OPTIONS	46
REMOTE CONTROL CENTERS	52
REMOTE CURRENT/TEMPERATURE RESET PARTS BREAKDOWN	54
RECOMMENDED SPARE PARTS	55

WARNING

HIGH VOLTAGE

**Is used in the operation of this equipment.
DEATH OR SERIOUS INJURY**

may result if personnel fail to observe safety precautions.

Work on electronic equipment should not be undertaken unless the individual(s) have been trained in the proper maintenance of equipment and is (are) familiar with its potential hazards.

Shut off power supply to the equipment before beginning work and follow lockout procedures. When working inside equipment with power off, take care to discharge every capacitor likely to hold dangerous potential.

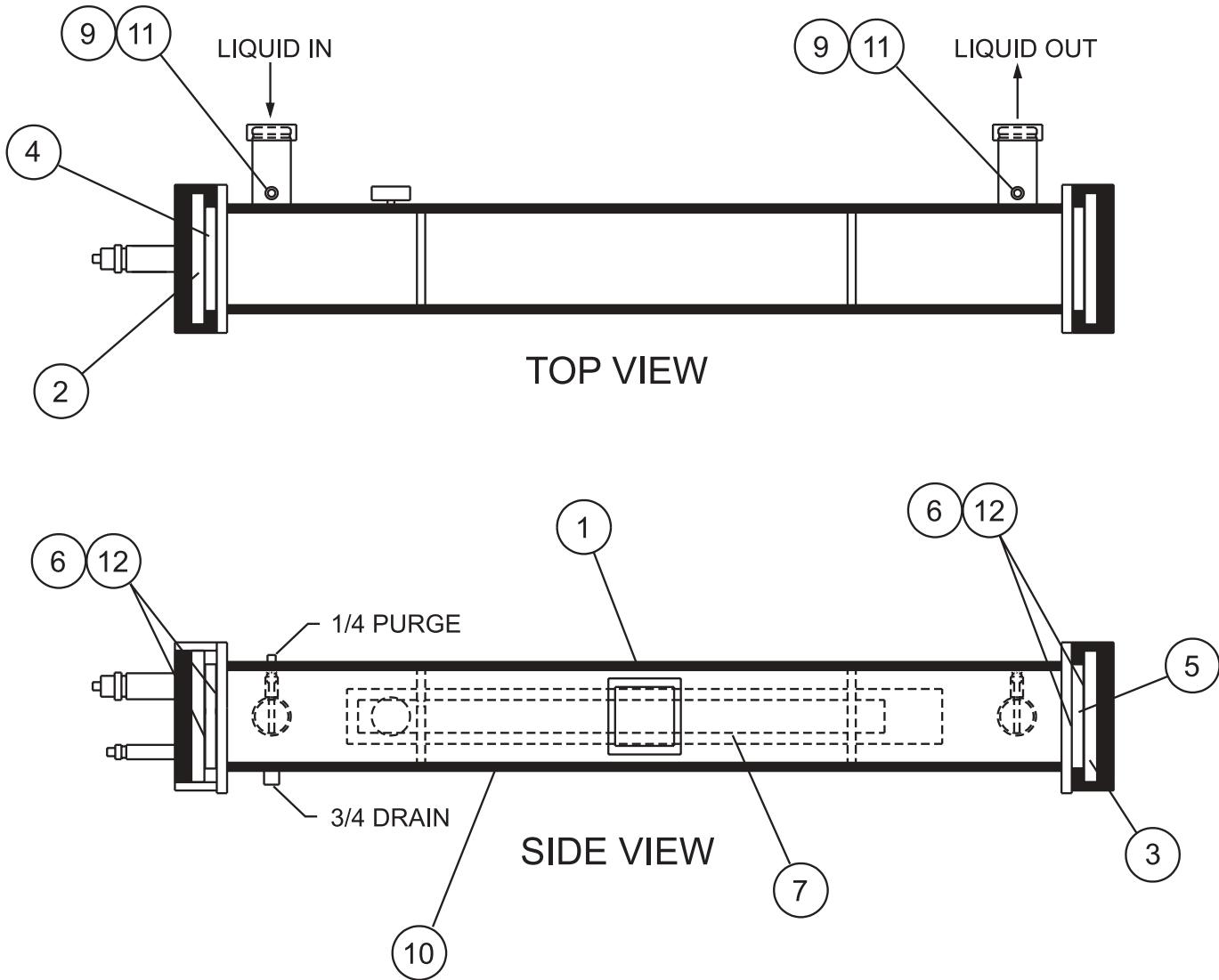
Be careful not to contact high voltage connections when installing or operating this equipment.

LOW VOLTAGE

DO NOT be misled by the term "low voltage." Voltages as low as 50 volts may cause death.

EVAPORATOR COMPONENTS

Service Note: Pin Location 38 in Model Number will be
 "X" for 150# cooler.
 "3" for 300# cooler.



FLOW SWITCHES:

Standard 150# DWP cooler - 024-26116-000
 Optional 300# DWP cooler - 024-12144-000

30968-000

FIG. 1 –EVAPORATOR COMPONENTS - MODELS YCAL0043 AND YCAL0057 SHOWN
 (REF. TABLES 1 AND 2, PAGES 5 AND 6)

EVAPORATOR COMPONENTS (CONT'D)

TABLE 1 – EVAPORATOR COMPONENTS - 150 PSIG (SEE FIG. 1, PAGE 4)

ITEM NUMBER	QTY. PER UNIT	DESCRIPTION	DWP	UNIT MODEL YCAL0043 & 0057	UNIT MODEL YCAL0073	UNIT MODEL YCAL0087 & 0107
1	1	Evaporator, less Heater & Insulation (Items 2 thru 6)	ALL	375-44214-000 (8" X 72")	375-44212-000 (8" X 78")	375-46006-000 (8" X 90")
2	1	Head, Conn. End	ALL	375-44209-000	375-44209-000	375-46012-000
3	1	Head, Back End	ALL	075-31716-000	075-31716-000	075-46017-000
4	1	Baffle, Pass, Conn. End	ALL	376-60141-000	376-60141-000	075-46014-000
5	1	Baffle, Pass, Back End	ALL	076-60140-000	076-60140-000	075-46009-000
6	4	Gasket, Pass Baffle and Head	ALL	075-49378-000	075-49378-000	075-49362-000
7	1	Heater, Cooler 180 Watt	ALL	025-27995-001	025-27995-001	025-27995-002
9	2	Well, Thermo	ALL	026-37512-000	026-37512-000	026-32328-000
10	-	Insulation (3/4" x 49" x 65")	ALL	010-05997-000	010-05997-000	010-05997-000
	-	Insulation (1 1/2" x 49" x 65")	ALL	010-05998-000	010-05998-000	010-05998-000
11	2	Sensor, Water Temp.	ALL	025-29964-000	025-29964-000	025-29964-000
12	1	Adhesive (Use with #6)	ALL	013-03311-000	013-03311-000	013-03311-000

TABLE 1 (CONT'D) – EVAPORATOR COMPONENTS - 150 PSIG (SEE FIG. 1, PAGE 4)

ITEM NUMBER	QTY. PER UNIT	DESCRIPTION	DWP	UNIT MODEL YCAL0117, 0133 0147, 0157 & 0173	UNIT MODEL YCAL0197, 0217 & 0237	UNIT MODEL YCAL0253
1	1	Evaporator, less Heater & Insulation (Items 2 thru 6)	150	375-46546-000 (10" x 90")	375-46542-000 (12" x 104")	375-46535-000 (12" x 104")
2	1	Head, Conn. End	ALL	375-43598-000	375-46210-000	375-44348-000
3	1	Head, Back End	ALL	075-44342-000	075-46215-000	075-44321-000
4	1	Baffle, Pass, Conn. End	ALL	375-43597-000	375-46209-000	375-44338-000
5	1	Baffle, Pass, Back End	ALL	375-43596-000	375-46208-000	375-44337-000
6	4	Gasket, Pass Baffle and Head	ALL	075-49369-000	075-49361-000	075-49365-000
7	1	Heater, Cooler 280 or 420 Watt	ALL	025-22691-000	025-22692-000	025-22691-000
9	2	Well, Thermo	ALL	026-32328-000	026-32328-000	026-32328-000
10	-	Insulation (3/4" x 49" x 65")	ALL	010-05997-000	010-05997-000	010-05997-000
	-	Insulation (1 1/2" x 49" x 65")	ALL	010-05998-000	010-05998-000	010-05998-000
11	2	Sensor, Water Temp.	ALL	025-29964-000	025-29964-000	025-29964-000
12	1	Adhesive (Use with #6)	ALL	013-03311-000	013-03311-000	013-03311-000

EVAPORATOR COMPONENTS (CONT'D)

TABLE 2 – EVAPORATOR COMPONENTS - 300 PSIG (SEE FIG. 1, PAGE 4)

ITEM NUMBER	QTY. PER UNIT	DESCRIPTION	DWP	UNIT MODEL YCAL0043 & 0057	UNIT MODEL YCAL0073	UNIT MODEL YCAL0087 & 0107
1	1	Evaporator, less Heater & Insulation (Items 2 thru 6)	ALL	375-41455-000 (8" X 72")	375-41456-000 (8" X 78")	375-46577-000 (8" X 90")
2	1	Head, Conn. End	ALL	375-41461-000	375-41461-000	375-46012-000
3	1	Head, Back End	ALL	075-31716-000	075-31716-000	075-46017-000
4	1	Baffle, Pass, Conn. End	ALL	376-60141-000	376-60141-000	075-46014-000
5	1	Baffle, Pass, Back End	ALL	076-60140-000	076-60140-000	075-46009-000
6	4	Gasket, Pass Baffle and Head	ALL	075-49378-000	075-49378-000	075-49362-000
7	1	Heater, Cooler 180 Watt	ALL	025-27995-001	025-27995-001	025-27995-002
9	2	Well, Thermo	ALL	026-37512-000	026-37512-000	026-32328-000
10	-	Insulation (3/4" x 49" x 65")	ALL	010-05997-000	010-05997-000	010-05997-000
	-	Insulation (1 1/2" x 49" x 65")	ALL	010-05998-000	010-05998-000	010-05998-000
11	1	Sensor, Water Temp.	ALL	025-29964-000	025-29964-000	025-29964-000
12	1	Adhesive (Use with #6)	ALL	013-03311-000	013-03311-000	013-03311-000

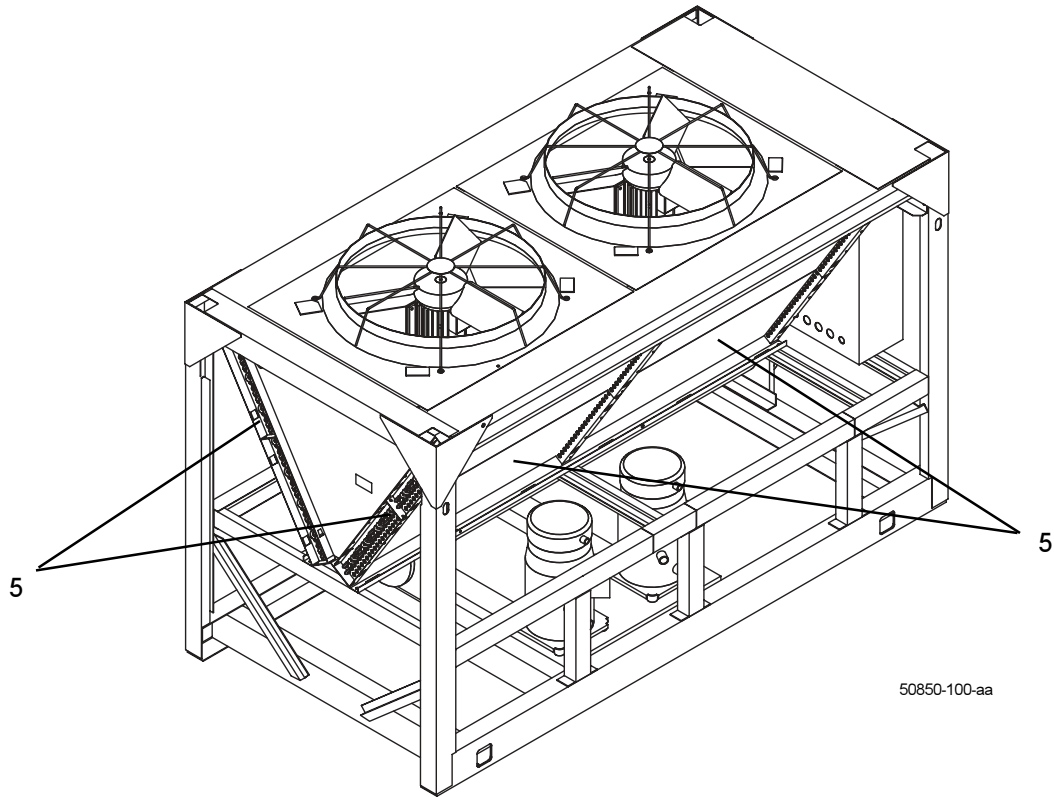
TABLE 2 (CONT'D) – EVAPORATOR COMPONENTS - 300 PSIG (SEE FIG. 1, PAGE 4)

ITEM NUMBER	QTY. PER UNIT	DESCRIPTION	DWP	UNIT MODEL YCAL0117, 0133 0147, 0157 & 0173	UNIT MODEL YCAL0197, 0217 & 0237	UNIT MODEL YCAL0253
1	1	Evaporator, less Heater & Insulation (Items 2 thru 6)	150	375-46575-000 (10" x 90")	375-46571-000 (12" x 104")	375-46567-000 (12" x 104")
2	2	Head, Conn. End	ALL	375-43598-000	375-46210-000	375-44348-000
3	1	Head, Back End	ALL	075-44342-000	075-46215-000	075-44321-000
4	1	Baffle, Pass, Conn. End	ALL	375-43597-000	375-46209-000	375-46338-000
5	1	Baffle, Pass, Back End	ALL	375-43596-000	375-46208-000	375-44337-000
6	4	Gasket, Pass Baffle and Head	ALL	075-49369-000	075-49361-000	075-49365-000
7	1	Heater, Cooler 280 Watt	ALL	025-22691-000	025-22692-000	025-22691-000
9	2	Bulb, Well	ALL	026-32328-000	026-32328-000	026-32328-000
10	-	Insulation (3/4" x 49" x 65")	ALL	010-05997-000	010-05997-000	010-05997-000
	-	Insulation (1 1/2" x 49" x 65")	ALL	010-05998-000	010-05998-000	010-05998-000
11	2	Sensor, Water Temp.	ALL	025-29964-000	025-29964-000	025-29964-000
12	1	Adhesive (Use with #6)	ALL	013-03311-000	013-03311-000	013-03311-000

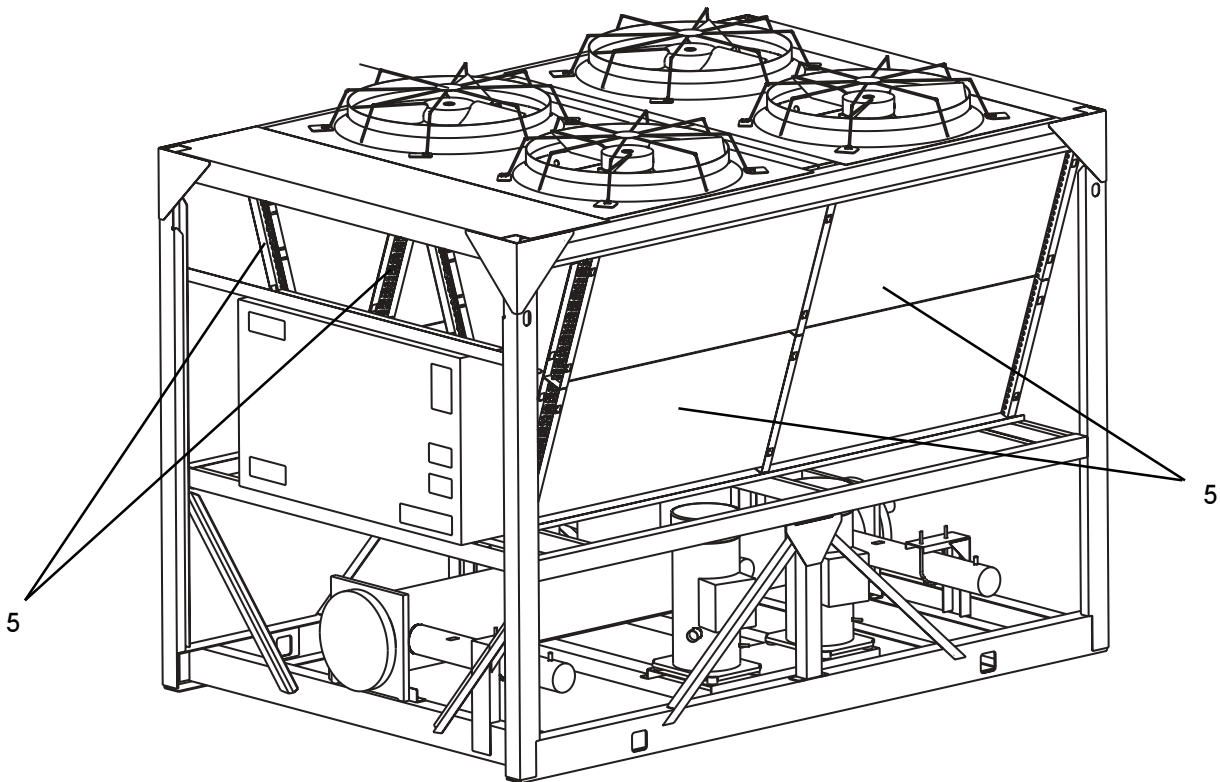
This page intentionally left blank

CONDENSOR COIL COMPONENTS

Condenser



50850-100-aa



30612-100-01

FIG. 2 – CONDENSER COIL LAYOUT (REF. TABLE 3, PAGE 9)

CONDENSER COIL COMPONENTS (CONT'D)

TABLE 3 – CONDENSER COILS – YCAL0043, 0057, 0073 AND YCAL0087 (SEE FIG. 2, PAGE 8)

ITEM NUMBER	DESCRIPTION	POSITION	QTY	YCAL0043 & YCAL0057	YCAL0073	YCAL0087
ALUMINUM FIN COILS						
5	Coil Module*	Both	4	375-46182-100	375-46182-200	375-46182-300
BLACK FIN COILS						
5	Coil Module*	Both	4	375-46183-100	375-46183-200	375-46183-300
PHENOLIC COILS						
5	Coil Module*	Both	4	375-46184-100	375-46184-200	375-46184-300
COPPER COILS						
5	Coil Module*	Both	4	375-46185-100	375-46185-200	375-46185-300

*Coil Module includes coil and headers.

TABLE 3 – CONDENSER COILS – YCAL0107, 0117, 0133, 0147, 0157, AND YCAL0173 (SEE FIG. 2, PAGE 8)

ITEM NUMBER	DESCRIPTION	POSITION	QTY	YCAL0107	YCAL0117, 0133 0147 & YCAL0157	YCAL0173
ALUMINUM FIN COILS						
5	Coil Module*	Both	8**	375-46182-300(4)	375-46182-400	375-46182-500
BLACK FIN COILS						
5	Coil Module*	Both	8**	375-46183-300(4)	375-46183-400	375-46183-500
PHENOLIC COILS						
5	Coil Module*	Both	8**	375-46184-300(4)	375-46184-400	375-46184-500
COPPER COILS						
5	Coil Module*	Both	8**	375-46185-300(4)	375-46185-400	375-46185-500

*Coil Module includes coil and headers.

**Quantity - unless otherwise noted in parentheses behind part number.

TABLE 3 – CONDENSER COILS – YCAL0197, 0217, 0237 AND YCAL0253 (SEE FIG. 2, PAGE 8)

ITEM NUMBER	DESCRIPTION	POSITION	QTY	YCAL0197	YCAL0217	YCAL0237 AND YCAL0253
ALUMINUM FIN COILS						
5	Coil Module*	Both	8	375-46182-600	375-45259-100	375-45259-100
BLACK FIN COILS						
5	Coil Module*	Both	8	375-46183-600	375-45259-200	375-45259-200
PHENOLIC COILS						
5	Coil Module*	Both	8	375-46184-600	375-45259-300	375-45259-300
COPPER COILS						
5	Coil Module*	Both	8	375-46185-600	375-45259-400	375-45259-400

*Coil Module includes coil and headers.

FAN COMPONENTS

Service Note:

Fan Hub to Shaft Joint should be sealed with protective coating - factory uses RUST VETO 344 - a solvent type, rust preventative coating.

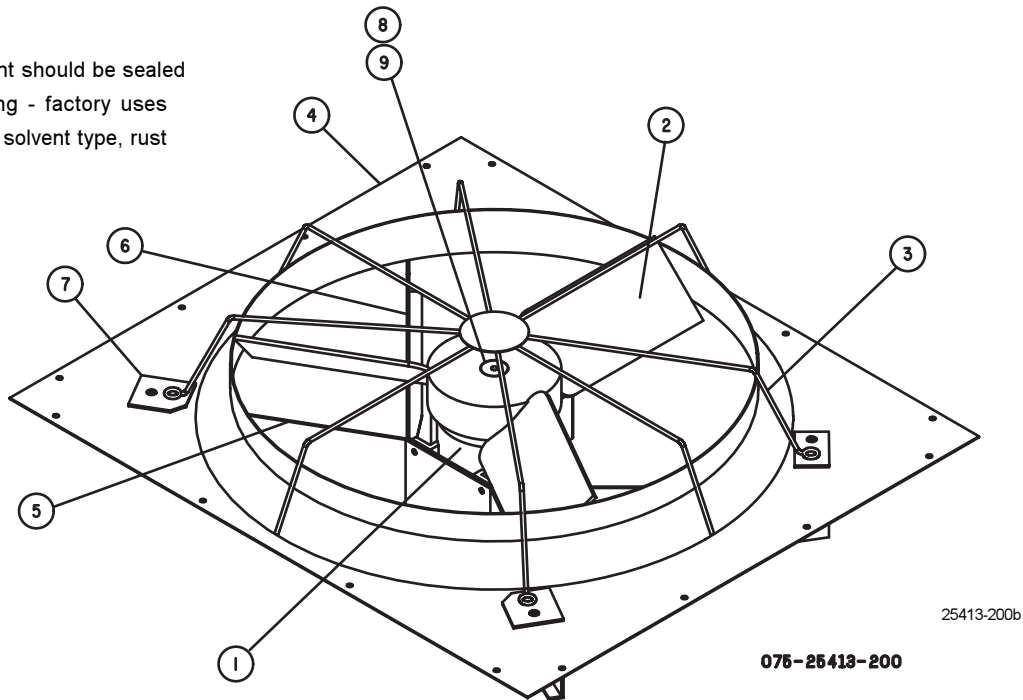


FIG. 3 – FAN COMPONENTS

Service Note: Pin Location 52 in Model Number will be “X” for Standard Fan, or “L” for Low Noise Fan. See page 3.

TABLE 4 – FAN COMPONENTS

ITEM NUMBER	DESCRIPTION	VOLTAGE CODE	FAN TYPE	
			STANDARD 7/8" Ø SHAFT, 967 RPM	LOW NOISE (OPTIONAL) 7/8" Ø SHAFT, 704 RPM
1 ^s	Motor, Fan 2 HP (YCAL0043-YCAL0253)	-50	024-30900-001	024-30933-001
2 ^s	Blade, (YCAL0043-YCAL0173) Blade, (YCAL0197-YCAL0253)	ALL	026-35607-000 026-37577-000	026-36579-000 026-37579-000
3	Guard, (YCAL0043-YCAL0173) Guard, (YCAL0197-YCAL0253)	ALL	026-36790-000 026-35605-000	026-37521-000 026-35605-000
4	Orifice, (YCAL0043-YCAL0173) Orifice, (YCAL0197-YCAL0253)	ALL	026-35070-000 026-36141-000	
5	Support, Inner (YCAL0043-YCAL0173) Support, Inner (YCAL0197-YCAL0253)	ALL	075-25413-018 075-25584-000	
6	Support, Outer (YCAL0043-YCAL0173) Support, Outer (YCAL0197-YCAL0253)	ALL	075-25413-019 075-25583-000	
7	Plate, Reinf. (YCAL0043-YCAL0173) Plate, Reinf. (YCAL0197-YCAL0253)	ALL ALL	075-25413-023 075-25413-024	
8	Screw, Cap M8x125 (Not Shown)	ALL	021-18494-000	
9	Spacer, Fan Motor	ALL	075-29007-000	

^s = Recommended Spare Parts

Fans

**REFRIGERANT PIPING COMPONENTS
CHILLER MODEL YCAL - STYLE C**

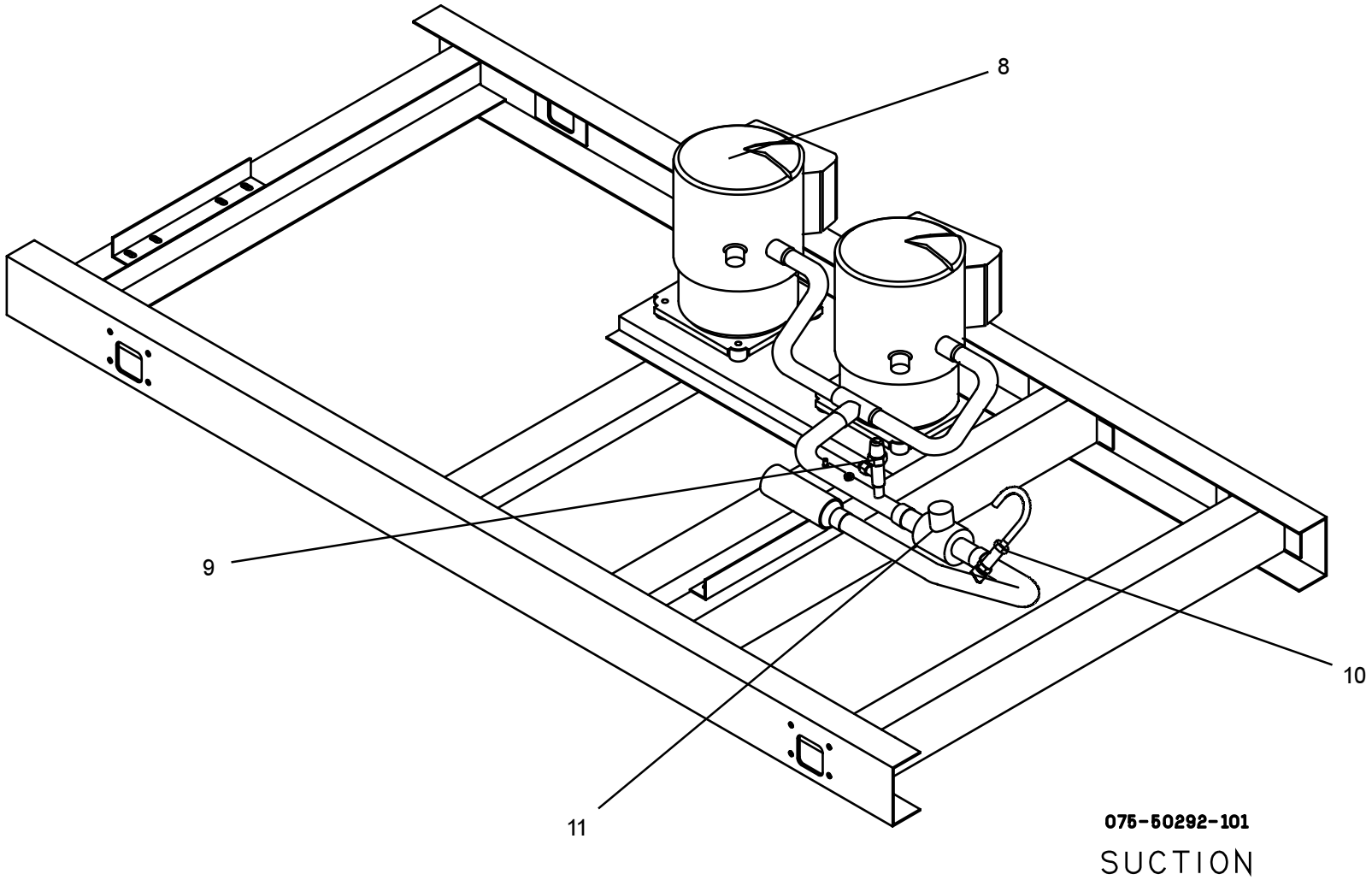


FIG. 4 – REFRIGERANT PIPING COMPONENTS - MODELS YCAL0043, 0057, 0073 AND 0087 SHOWN (REF. TABLE 5, PAGES 14 AND 15)

REFRIGERANT PIPING COMPONENTS
CHILLER MODEL YCAL - STYLE C

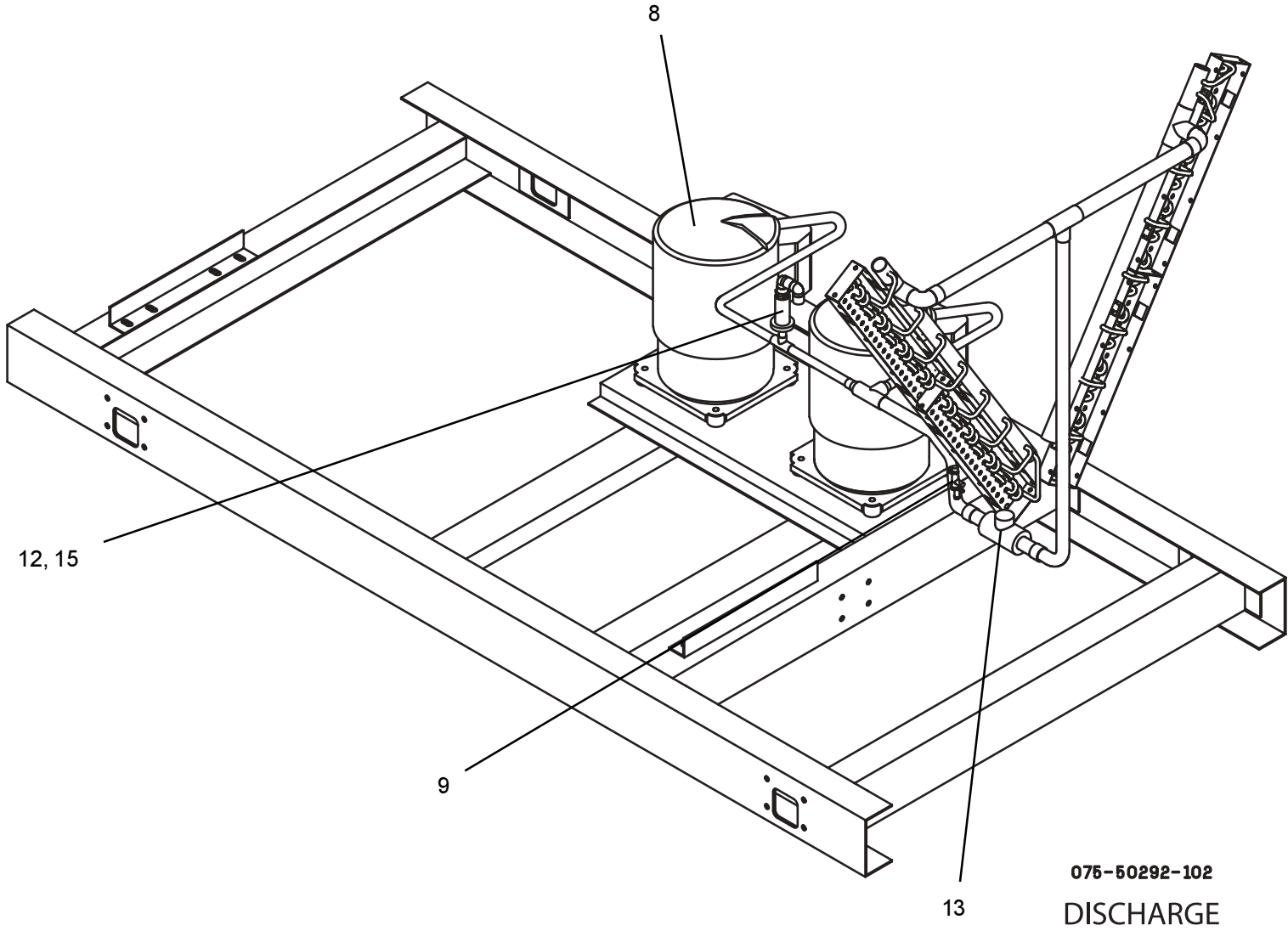


FIG. 4a - REFRIGERANT PIPING COMPONENTS - MODELS YCAL0043, 0057, 0073 AND 0087 SHOWN (REF. TABLE 5, PAGES 14 AND 15)

REFRIGERANT PIPING COMPONENTS (CONT'D)
CHILLER MODEL YCAL - STYLE C

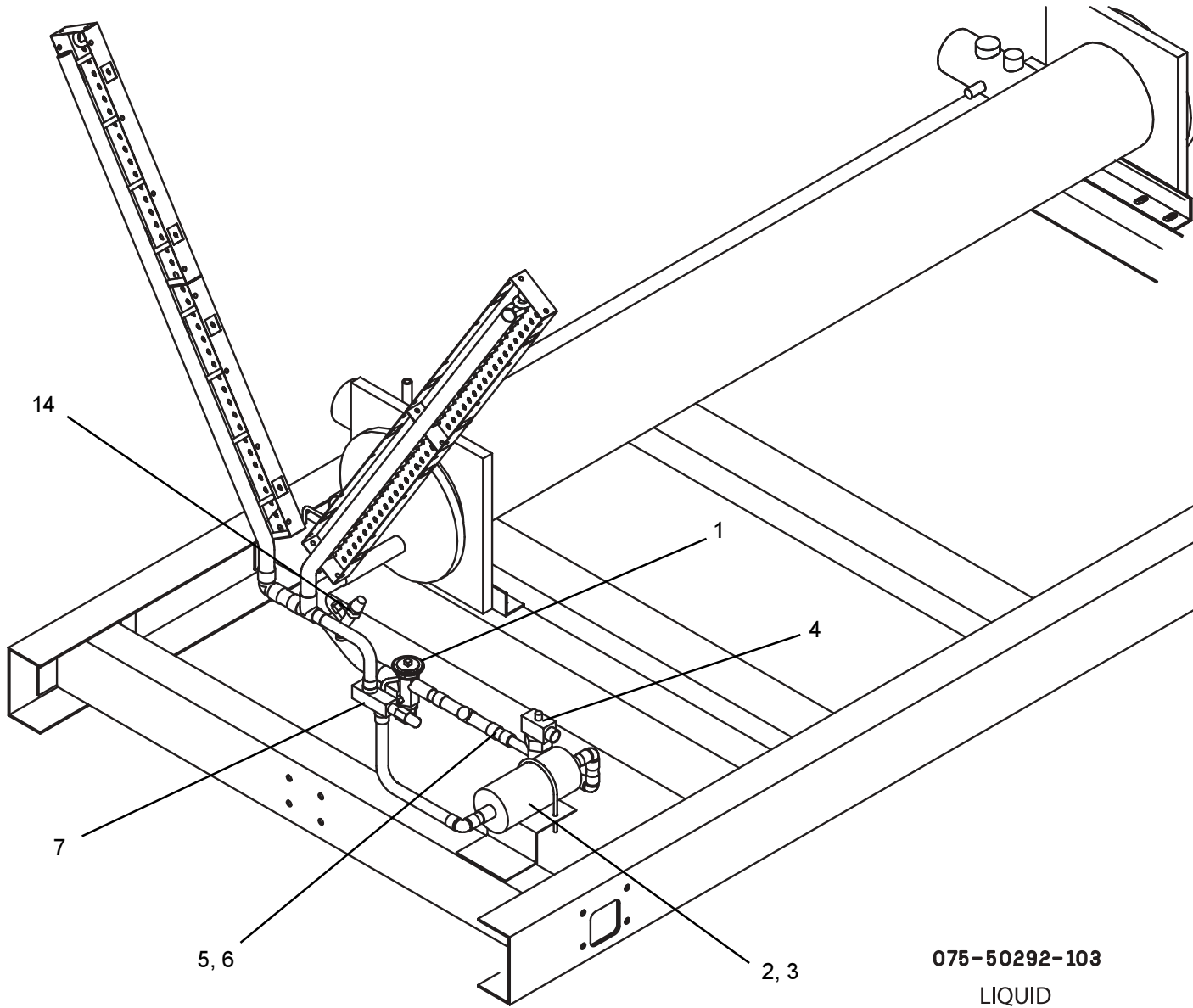


FIG. 4b - REFRIGERANT PIPING COMPONENTS - MODELS YCAL0043, 0057, 0073 AND 0087 SHOWN (REF. TABLE 5, PAGES 14 AND 15)

REFRIGERANT PIPING COMPONENTS (CONT'D)

CHILLER MODEL YCAL – STYLE C

TABLE 5 – REFRIGERANT PIPING COMPONENTS (SEE FIGS. 4, 4A AND 4B, PAGES 11, 12 AND 13)

ITEM NO.	SYSTEM	DESCRIPTION	YCAL0043	YCAL0057	YCAL0073	YCAL0087- YCAL0107
1 ^s	1	Valve, Thermal Expansion	025-34156-000	025-27535-000	025-27536-000	025-20213-000
	2		N/A	N/A	N/A	N/A
2	1	Drier (Sealed Type)	026-35634-000	026-35634-000	026-35634-000	026-36510-000
3	N/A	N/A	N/A	N/A	N/A	N/A
4 ^s	1	Valve, Solenoid, Liq. Line*	025-34585-000	025-34585-000	025-34585-000	025-34585-000
	2		N/A	N/A	N/A	N/A
5	1	Moisture Indicator, Body	026-15305-000	026-15305-000	026-15305-000	026-15305-000
	2		N/A	N/A	N/A	N/A
6	Both	Moisture Indicator, Sight Glass, Cap Assembly	N/A	N/A	N/A	N/A
7	1	Valve, Liquid Stop	022-02992-000	022-02992-000	022-02992-000	022-02992-000
	2		N/A	N/A	N/A	N/A
8	Both	Compressor	See Pages 17 and 18 for Compressor Part Numbers			
9	1	Valve, Stop 1/4 NPTE	022-00009-000	022-00009-000	022-00009-000	022-00009-000
10	1	Valve, Relief 350PSIG	022-09800-000	022-09800-000	022-09800-000	022-09800-000
11	1	Valve, Ball (Suction)	022-08883-000	022-08883-000	022-09752-000	022-09752-000
12	1	Valve, Relief 450 PSIG	022-08863-000	022-08863-000	022-08863-000	022-08882-000
13	1	Valve, Ball (Discharge)	022-09749-000	022-09749-000	022-09750-000	022-09750-000
14	1	Valve, Charging Brass	022-09754-000	022-09754-000	022-09754-000	022-09754-000
15	1	Valve, Globe	022-00124-000	022-00124-000	N/A	N/A

ITEM NO.	SYSTEM	DESCRIPTION	YCAL0117	YCAL0133 AND 0147	YCAL0157
1 ^s	1	Valve, Thermal Expansion	025-27535-000	025-27536-000	025-27536-000
	2		025-27535-000	025-27536-000	025-27536-000
2	Both	Drier (Sealed Type)	026-20145-000	026-20145-000	026-20145-000
3	Both	N/A	N/A	N/A	N/A
4 ^s	1	Valve, Solenoid, Liq. Line*	025-34585-000	025-34585-000	025-34585-000
	2		025-34585-000	025-34585-000	025-34585-000
5	1	Moisture Indicator, Body	026-15305-000	026-15305-000	026-15305-000
	2		026-15305-000	026-15305-000	026-15305-000
6	Both	Moisture Indicator, Sight Glass, Cap Assembly	N/A	N/A	N/A
7	1	Valve, Liquid Stop	022-02992-000	022-02992-000	022-02992-000
	2		022-02992-000	022-02992-000	022-02992-000
8	Both	Compressor	See Pages 17 and 18 for Comp. Part Numbers		
9	Both	Valve, Stop 1/4 NPTE	022-00009-000	022-00009-000	022-00009-000
10	Both	Valve, Relief 350PSIG	022-09800-000	022-09800-000	022-09800-000
11	Both	Valve, Ball (Suction)	022-09752-000	022-09752-000	022-08883-000
12	Both	Valve, Relief 450 PSIG	022-08863-000	022-08863-000	022-08882-000
13	Both	Valve, Ball (Discharge)	022-09750-000	022-09750-000	022-09750-000
14	Both	Valve, Charging Brass	022-09754-000	022-09754-000	022-09754-000
15	Both	Valve, Globe	N/A	N/A	N/A

^s Recommended Spare Part

REFRIGERANT PIPING COMPONENTS (CONT'D) CHILLER MODEL YCAL – STYLE C

TABLE 5 (CONT'D) – REFRIGERANT PIPING COMPONENTS (SEE FIGS. 4, 4A AND 4B, PAGES 11, 12 AND 13)

ITEM NO.	SYSTEM	DESCRIPTION	YCAL0173	YCAL064 - YCAL0217	YCAL0237	YCAL0253
1 ^s	1	Valve, Thermal Expansion	025-20213-000	025-20213-000	025-20213-000	025-32904-000
	2		025-20213-000	025-27536-000	025-20213-000	025-32904-000
2	Both	Drier (Sealed Type)	026-20145-000	026-20145-000	N/A	N/A
	Both	Dehydrator	N/A	N/A	026-30598-000	026-30598-000
3 ^s	Both	Dehydrator Core	N/A	N/A	026-18328-000	026-18328-000
4 ^s	1	Valve, Solenoid, Liq. Line*	025-34585-000	025-33705-000	025-33705-000	025-33705-000
	2		025-34585-000	025-33705-000	025-33705-000	025-33705-000
5	1	Moisture Indicator, Body	026-15305-000	026-37544-000	026-37544-000	026-37544-000
	2		026-15305-000	026-37544-000	026-37544-000	026-37544-000
6	Both	Moisture Indicator, Sight Glass, Cap Assembly	N/A	026-37548-000	026-37548-000	026-37548-000
7	1	Valve, Liquid Stop	022-02992-000	022-10022-000	022-10022-000	022-10022-000
	2		022-02992-000	022-10022-000	022-10022-000	022-10022-000
8	Both	Compressor	See Pages 17 and 18 for Compressor Part Numbers			
9	Both	Valve, Stop 1/4 NPTE	022-00009-000	022-00009-000	022-00009-000	022-00009-000
10	Both	Valve, Relief 350PSIG	022-09800-000	022-09800-000	022-09800-000	022-09800-000
11	Both	Valve, Ball (Suction)	022-09752-000	022-09752-000	022-09752-000	022-09753-000
12	Both	Valve, Relief 450 PSIG	022-08882-000	022-08882-000	022-08882-000	022-08882-000
13	Both	Valve, Ball (Discharge)	022-08883-000	022-08883-000	022-08883-000	022-08883-000
14	Both	Valve, Charging Brass	022-09754-000	022-09754-000	022-09754-000	022-09754-000
15	Both	Valve, Globe	N/A	N/A	N/A	N/A

^s Recommended Spare Part

TABLE 5A – HOT GAS BY-PASS SOLENOID VALVE (025-34133-000) SOLENOID COIL REPLACEMENT

MODEL NUMBERS	VENDOR	DESCRIPTION	PART NUMBER
ALL	SPORLAN	SOLENOID VALVE (COIL ONLY)	025-35151-000
	ALCO		025-35152-000
	DANFOSS		025-35169-000

COMPRESSOR

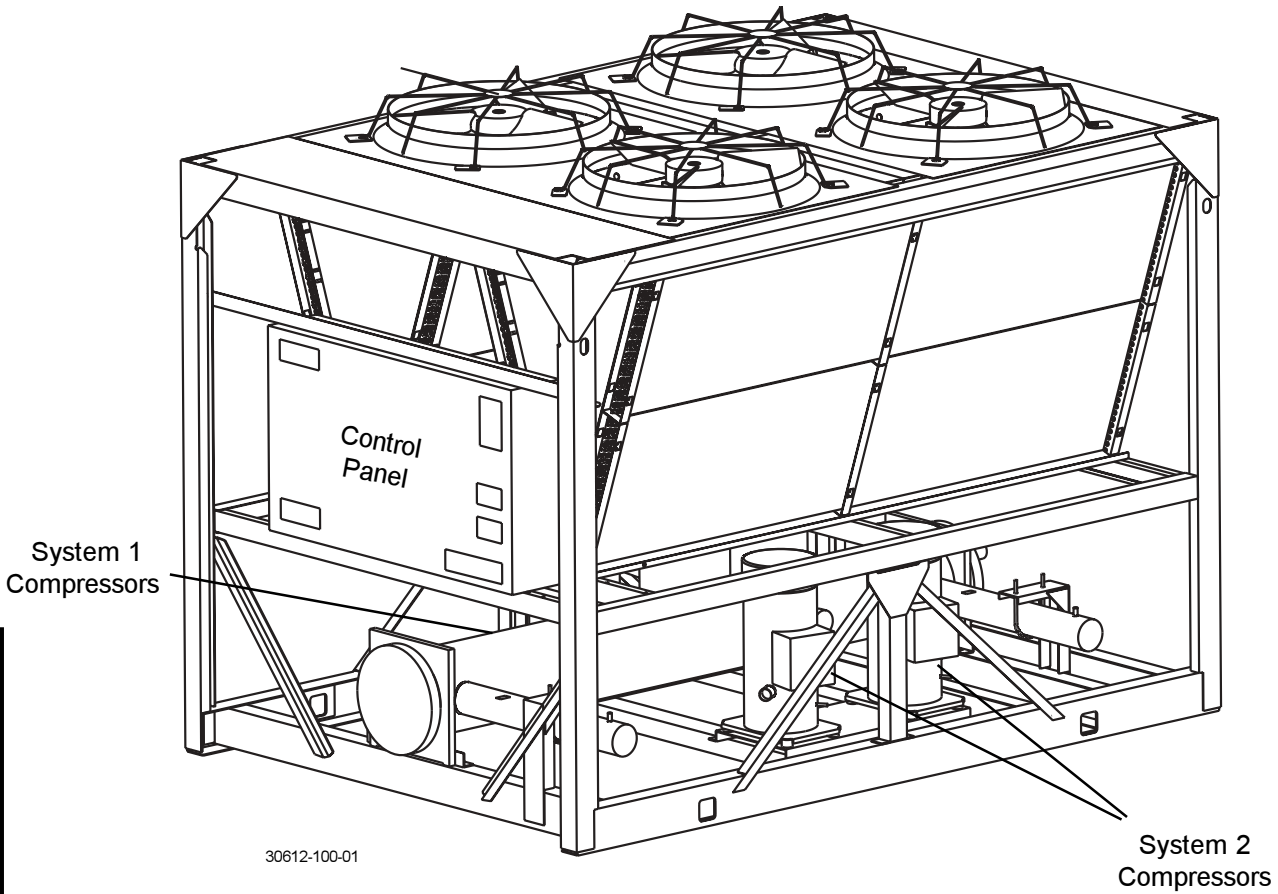


FIG. 5 – COMPRESSOR - TYPICAL LAYOUT (REF. TABLE 6, PAGES 17 AND 18)

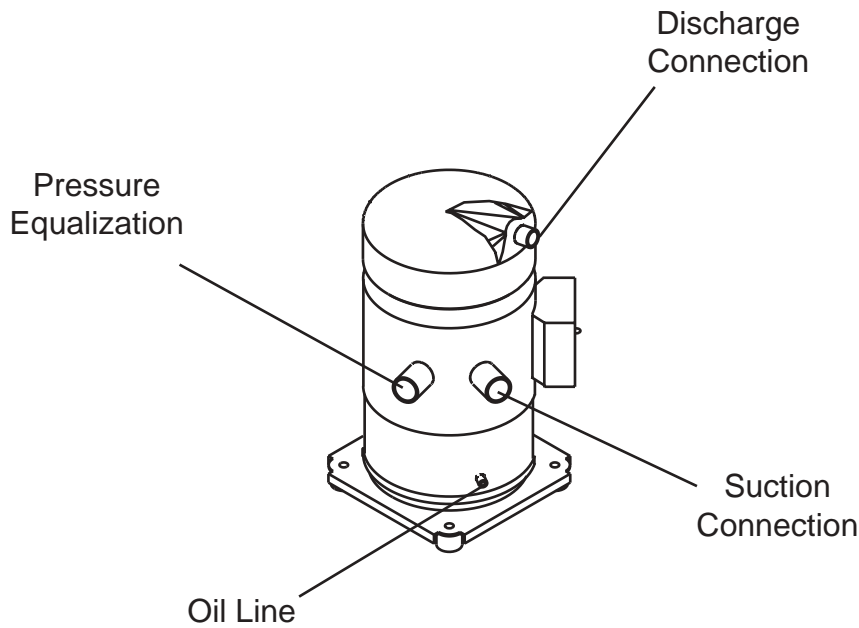


FIG. 5A – COMPRESSOR (REF. TABLE 6, PAGES 17 AND 18)

Compressor

COMPRESSOR (CONT'D)**TABLE 6 – COMPRESSOR PART NUMBERS - R-22 (SEE FIGS. 5 AND 5A, PAGE 16)****R-22**

MODEL	VOLTAGE CODE	QTY		SYSTEM #1 COMPRESSOR		SYSTEM #2 COMPRESSOR	
		SYS 1	SYS 2	PART #	MODEL #	PART #	MODEL #
YCAL0043	-50	2	N/A	015-02895-104	ZR90K3	N/A	N/A
YCAL0057	-50	2	N/A	015-02896-104	ZR12M3	N/A	N/A
YCAL0073	-50	2	N/A	015-02897-104	ZR16M3	N/A	N/A
YCAL0087	-50	2	N/A	015-02894-104	ZR19M3	N/A	N/A
YCAL0107	-50	3	N/A	015-02897-104	ZR16M3	N/A	N/A
YCAL0117	-50	2	2	015-02896-104	ZR12M3	015-02896-104	ZR12M3
YCAL0133	-50	2	2	015-02897-104	ZR16M3	015-02896-104	ZR12M3
YCAL0147	-50	2	2	015-02897-104	ZR16M3	015-02897-104	ZR16M3
YCAL0157	-50	2	2	015-02894-104	ZR19M3	015-02897-104	ZR16M3
YCAL0173	-50	2	2	015-02894-104	ZR19M3	015-02894-104	ZR19M3
YCAL0197	-50	3	3	015-02897-104	ZR16M3	015-02896-104	ZR12M3
YCAL0217	-50	3	3	015-02897-104	ZR16M3	015-02897-104	ZR16M3
YCAL0237	-50	3	3	015-02894-104	ZR19M3	015-02897-104	ZR16M3
YCAL0253	-50	3	3	015-02894-104	ZR19M3	015-02894-104	ZR19M3

Compressor

COMPRESSOR (CONT'D)**R407-C****TABLE 6 – COMPRESSOR PART NUMBERS - 407C (SEE FIGS. 5 AND 5A, PAGES 16)**

MODEL	VOLTAGE CODE	QTY		SYSTEM #1 COMPRESSOR		SYSTEM #2 COMPRESSOR	
		SYS 1	SYS 2	PART #	MODEL #	PART #	MODEL #
YCAL0043	-50	2	N/A	015-02895-304	ZR90K3E	N/A	N/A
YCAL0057	-50	2	N/A	015-02896-304	ZR12M3E	N/A	N/A
YCAL0073	-50	2	N/A	015-02897-304	ZR16M3E	N/A	N/A
YCAL0087	-50	2	N/A	015-02894-304	ZR19M3E	N/A	N/A
YCAL0107	-50	3	N/A	015-02897-304	ZR16M3E	N/A	N/A
YCAL0117	-50	2	2	015-02896-304	ZR12M3E	015-02896-304	ZR12M3E
YCAL0133	-50	2	2	015-02897-304	ZR16M3E	015-02896-304	ZR12M3E
YCAL0147	-50	2	2	015-02897-304	ZR16M3E	015-02897-304	ZR16M3E
YCAL0157	-50	2	2	015-02894-304	ZR19M3E	015-02897-304	ZR16M3E
YCAL0173	-50	2	2	015-02894-304	ZR19M3E	015-02894-304	ZR19M3E
YCAL0197	-50	3	3	015-02897-304	ZR16M3E	015-02896-304	ZR12M3E
YCAL0217	-50	3	3	015-02897-304	ZR16M3E	015-02897-304	ZR16M3E
YCAL0237	-50	3	3	015-02894-304	ZR19M3E	015-02897-304	ZR16M3E
YCAL0253	-50	3	3	015-02894-304	ZR19M3E	015-02894-304	ZR19M3E

Compressor

COMPRESSOR (CONT'D)

TABLE 6B – HEATER PART NUMBERS

MODEL	COMPRESSOR	HEATER PART NUMBERS
YCAL0043	ZR90K3	025-37888-000
THRU	ZR12M3	
YCAL0253	ZR16M3	
(R-22)	ZR19M3	
YCAL0043	ZR90K3E	025-37888-000
THRU	ZR12M3E	
YCAL0253	ZR16M3E	
(R-407C)	ZR19M3E	

TABLE 6C – RECOMMENDED OIL TYPE

ITEM	REF.	DESCRIPTION	1 GALLON	5 GALLON
Oil ^s	R-22	OIL, TYPE 'F' (MINERAL)	—	011-00434-000
	R-407C	OIL, TYPE 'T' (POE)	011-00936-000	011-00937-000

^s Recommended Spare Part

CONTROL PANEL AND POWER PANEL CONFIGURATIONS

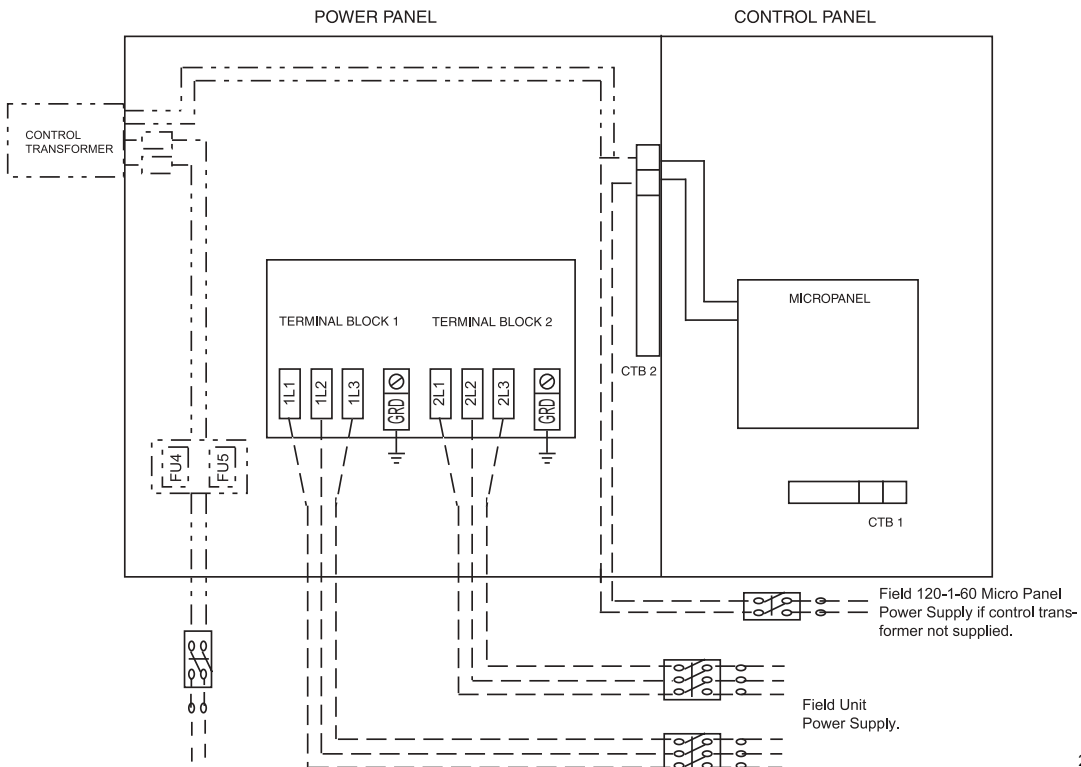
Power panels and control panels are offered in several configurations using three (3) major components:

1. TERMINAL BLOCKS -
2. CIRCUIT BREAKER SWITCH -
3. NF (Non Fused) DISCONNECT SWITCH -

The most basic chiller power wiring configuration uses terminal blocks in the power panel, and an option panel with no power wire termination hardware. See figures below. The model number pin number locations 16 and 17 would be X and X to reflect this basic combination. Identify pin number locations 16 and 17 to identify the chiller power wiring connections and hardware listed below.

PIN 16 & 17 LETTER CODE IDENTIFIERS	POWER PANEL AND CONTROL PANEL CONFIGURATION
X X	Terminal Blocks for each system in power panel
M D	NF disconnect switch for each system in power panel
M B	Circuit Breaker switch for each system in power panel
S D	Single Point Non-Fused Disconnect Switch Supply
S X	Single Point Terminal Block Supply
B X	Single Point Circuit Breaker Supply
S B	Circuit Breaker switch for each system in power panel; Single Point Terminal Block in power panel
D B	Circuit Breaker switch for each system in power panel; Single Point NF Disconnect Switch in power panel

Examples of power wiring configurations:

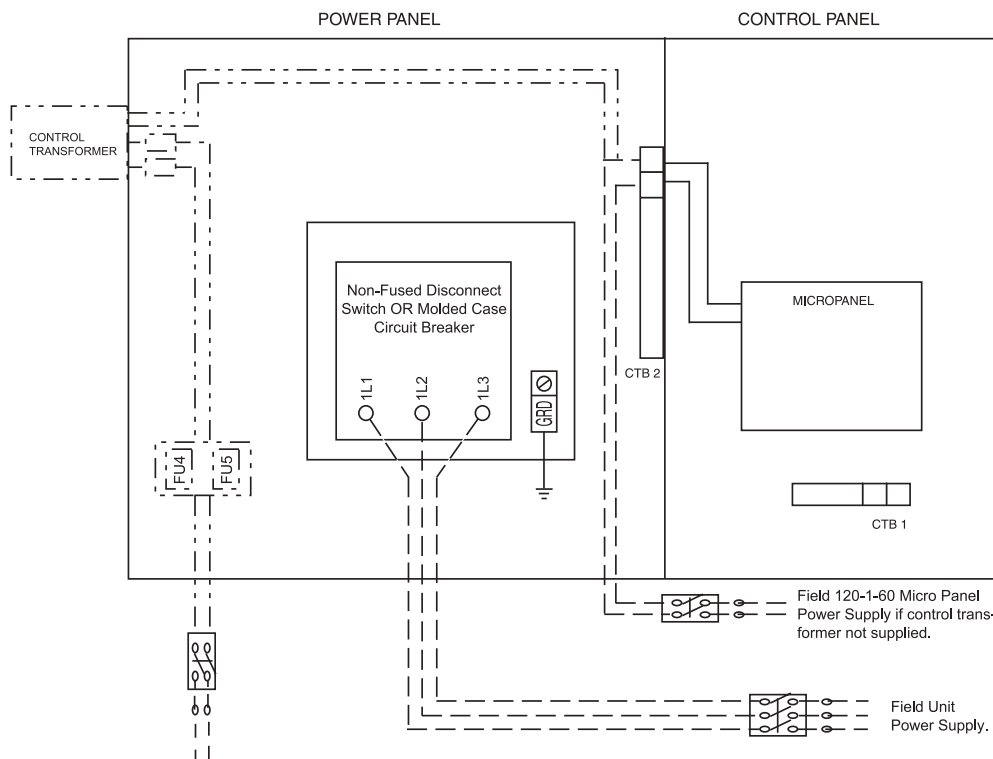
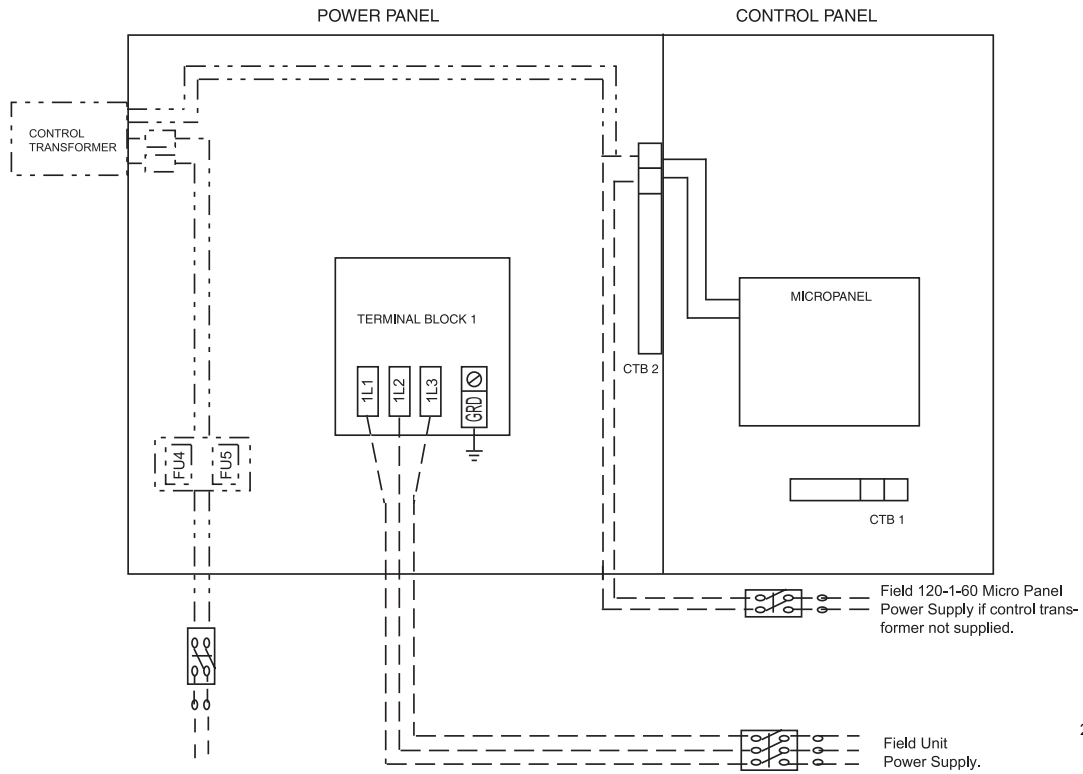


202349-1ccc1

FIG. 6 – EXAMPLES OF POWER WIRING CONFIGURATIONS

Control & Power Panel

CONTROL PANEL AND POWER PANEL CONFIGURATIONS (CONT'D)



Control & Power Panel

FIG. 6 (CONT'D) – EXAMPLES OF POWER WIRING CONFIGURATIONS

CONTROL PANEL AND POWER PANEL

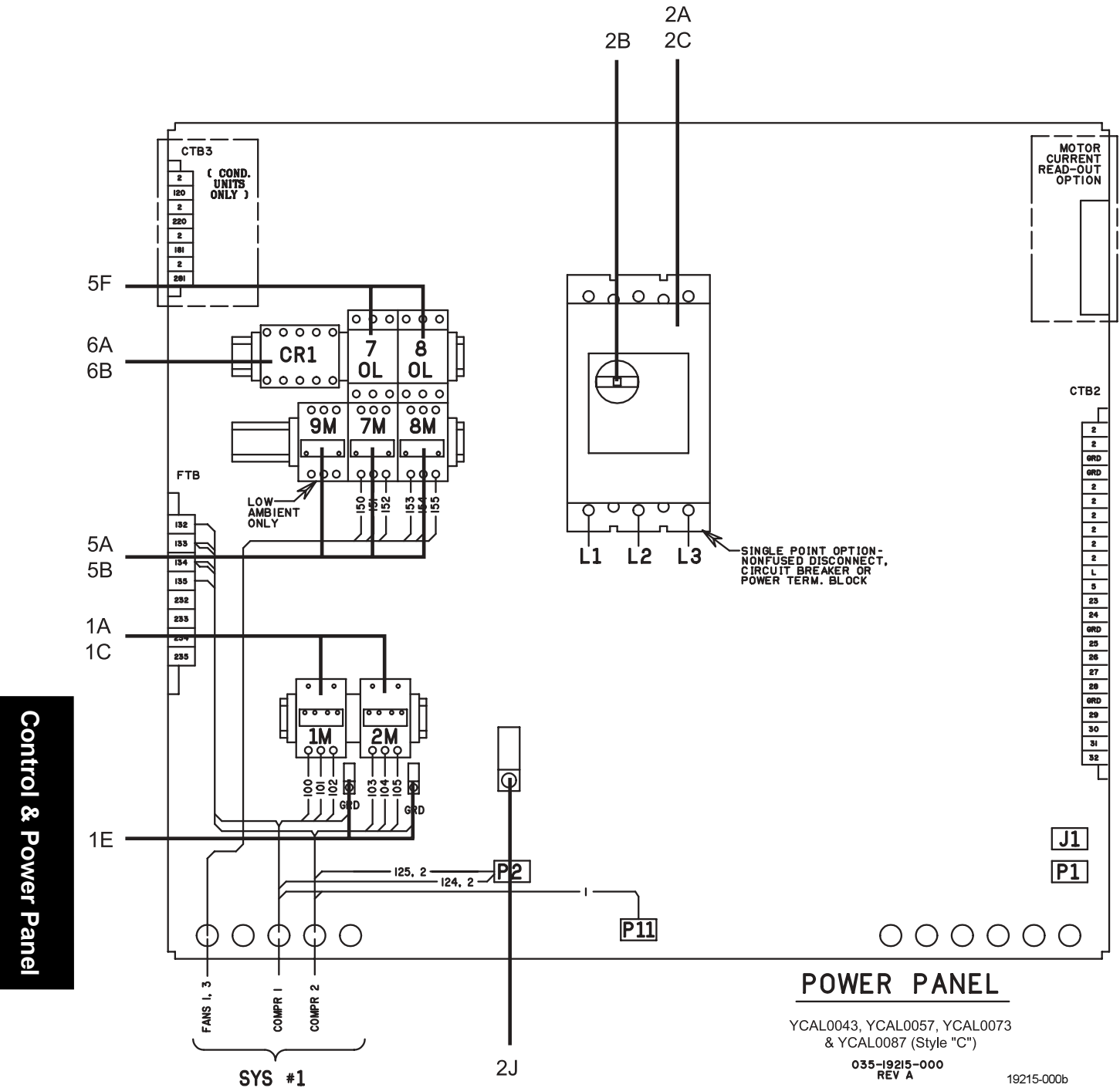
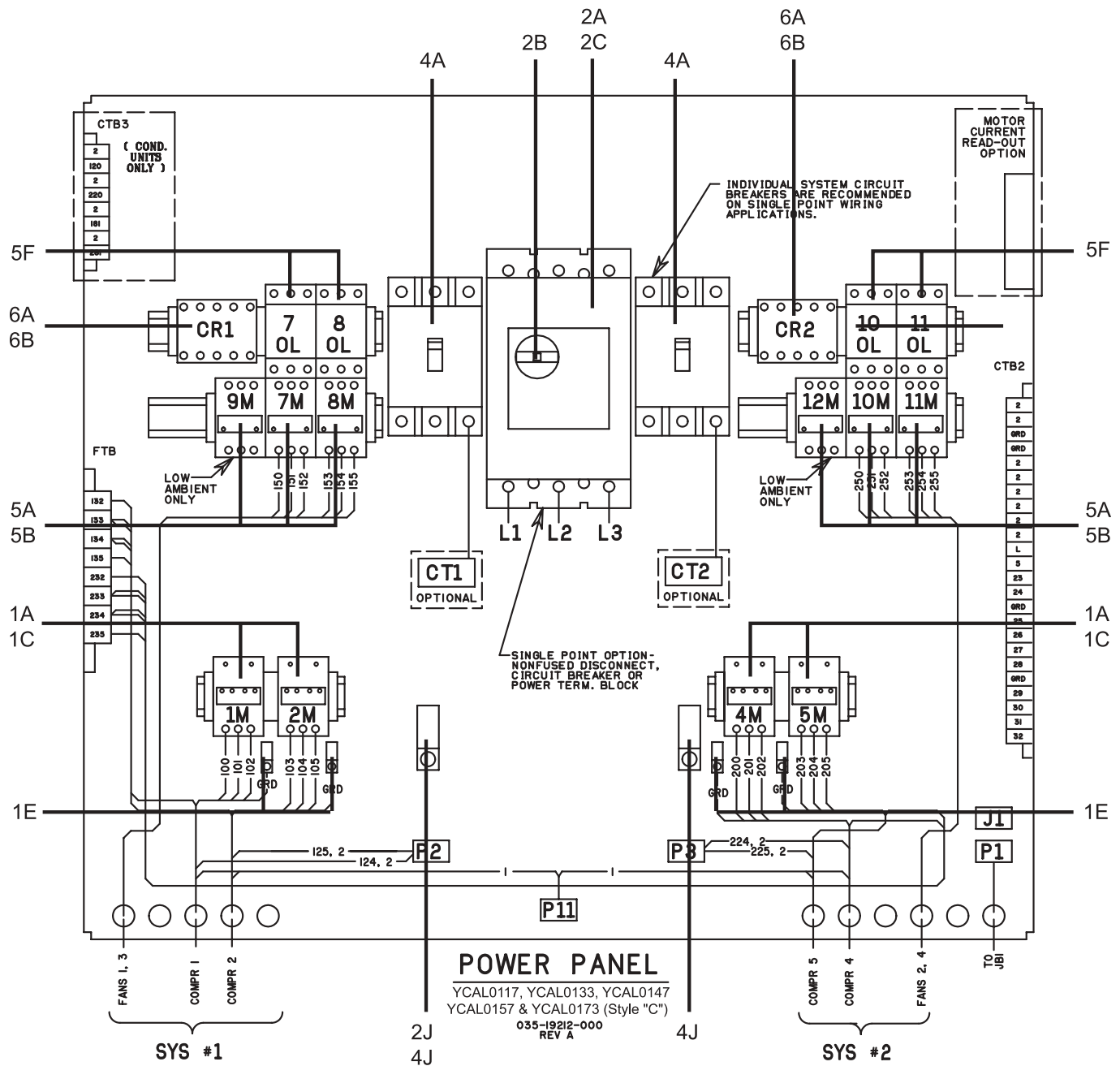


FIG. 7 – POWER PANEL COMPONENTS - YCAL0043-YCAL0087 (REF. TABLE 7, PAGES 27-38)

CONTROL PANEL AND POWER PANEL (CONT'D)



19212-000b

FIG. 9 – POWER PANEL COMPONENTS - YCAL0117-YCAL0173 (REF. TABLE 7, PAGES 27-38)

CONTROL PANEL AND POWER PANEL (CONT'D)

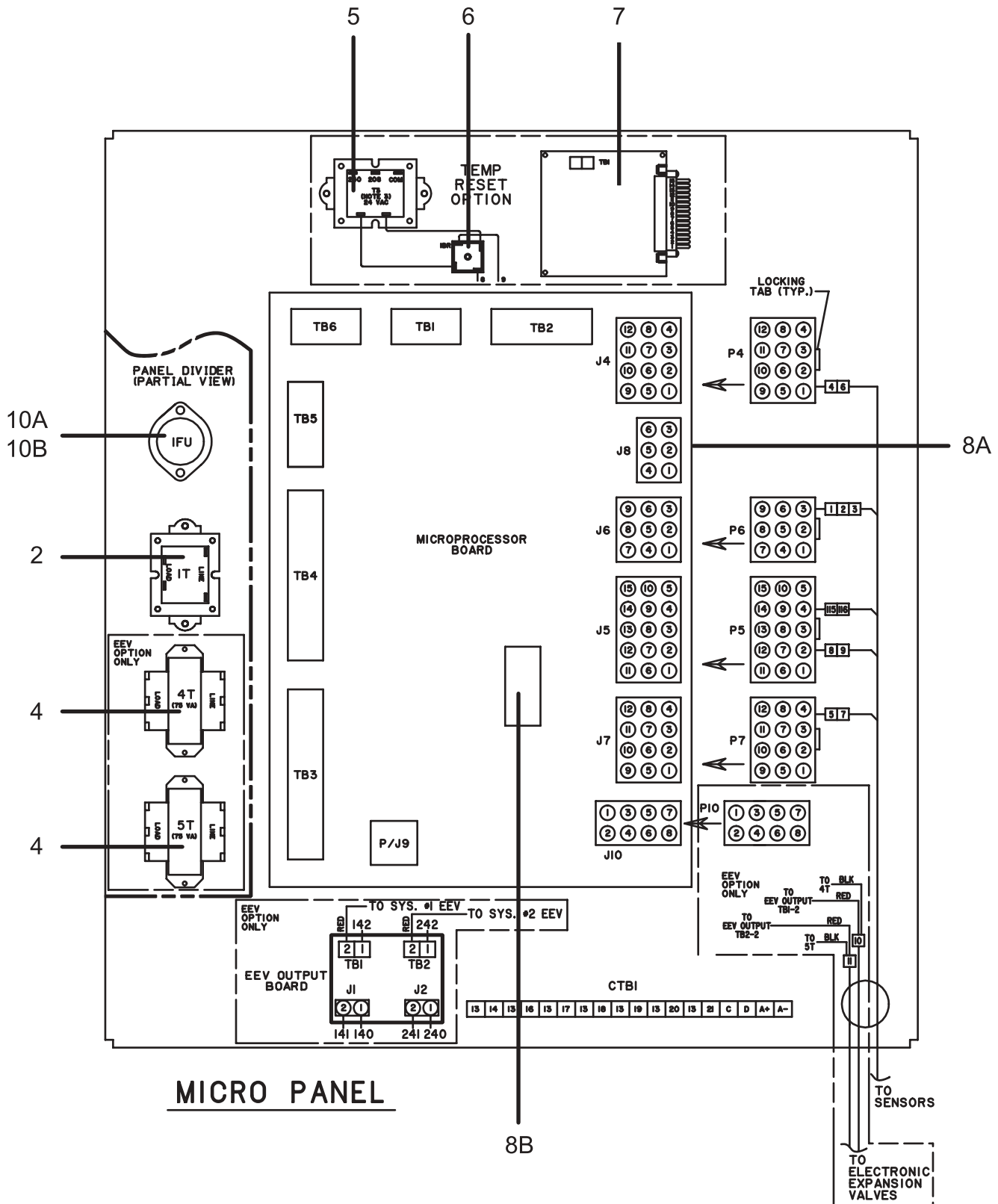


FIG. 11 – CONTROL PANEL COMPONENTS (REF. TABLE 7, PAGES 27-38)

TABLE 7 (CONT'D) – CONTROL PANEL AND POWER PANEL COMPONENTS - YCAL0043-50 & YCAL0057-50
(SEE FIGS. 6-11, PAGES 20-26)

Item	Qty	Description	YCAL0043-50			YCAL0057-50		
			Single Point Terminal Block 371-04148-441	Single Point Non-Fused Disc. Sw. 371-04148-541	Single Point Circuit Breaker 371-04148-641	Single Point Terminal Block 371-04148-441	Single Point Non-Fused Disc. Sw. 371-04148-541	Single Point Circuit Breaker 371-04148-642
1A	2	Compressor Contactor (System 1)	024-31818-000	024-31818-000	024-31818-000	024-31818-000	024-31818-000	024-31818-000
1C	2	Surge Suppressor	031-02202-000	031-02202-000	031-02202-000	031-02202-000	031-02202-000	031-02202-000
1E	2	Ground Lug	025-34455-000	025-34455-000	025-34455-000	025-34455-000	025-34455-000	025-34455-000
2	1	Transformer (115/24V)	025-30889-000	025-30889-000	025-30889-000	025-30889-000	025-30889-000	025-30889-000
2A	3	Single Point TB	025-38358-000	N/A	N/A	025-38358-000	N/A	N/A
	1	Single Point CB	N/A	N/A	024-31837-000	N/A	N/A	024-31839-000
	1	Single Point NFDS	N/A	024-31888-000	N/A	N/A	024-31888-000	N/A
2B	1	SP Handle & Oper Mech (NFDS&CB)	N/A	024-31878-000	024-31878-000	N/A	024-31878-000	024-31878-000
2C	1	Single Point Lug Kit	N/A	025-34479-000	025-34477-000	N/A	025-34479-000	025-34477-000
2J	1	Ground Lug	025-34455-000	025-34088-000	025-34455-000	025-34455-000	025-34088-000	025-34455-000
4	2	Transformer (4T & 5T)	025-27911-000	025-27911-000	025-27911-000	025-27911-000	025-27911-000	025-27911-000
5	1	Transformer (3T)	025-18452-000	025-18452-000	025-18452-000	025-18452-000	025-18452-000	025-18452-000
5A	4	Surge Suppressor	031-02100-000	031-02100-000	031-02100-000	031-02100-000	031-02100-000	031-02100-000
5B ^s	4	Fan Contactor	024-34302-000	024-34302-000	024-34302-000	024-34302-000	024-34302-000	024-34302-000
5F ^s	4	Fan Overload	024-33169-000	024-33169-000	024-33169-000	024-33169-000	024-33169-000	024-33169-000
6	1	Bridge Rectifier	031-02201-000	031-02201-000	031-02201-000	031-02201-000	031-02201-000	031-02201-000
6A	2	Relay	024-31635-000	024-31635-000	024-31635-000	024-31635-000	024-31635-000	024-31635-000
	2		024-33177-000	024-33177-000	024-33177-000	024-33177-000	024-33177-000	024-33177-000
6B	2	Surge Suppressor	031-00808-000	031-00808-000	031-00808-000	031-00808-000	031-00808-000	031-00808-000
7	1	Remote Current Reset	031-00814-000	031-00814-000	031-00814-000	031-00814-000	031-00814-000	031-00814-000
8A ^s	1	Micro Board	031-02050-001	031-02050-001	031-02050-001	031-02050-001	031-02050-001	031-02050-001
8B ^s	1	EPROM	031-02049-001	031-02049-001	031-02049-001	031-02049-001	031-02049-001	031-02049-001
10A	1	Fuse Holder	025-34484-000	025-34484-000	025-34484-000	025-34484-000	025-34484-000	025-34484-000
10B	1	Fuse	025-38360-000	025-38360-000	025-38360-000	025-38360-000	025-38360-000	025-38360-000

^s Recommended Spare Part

CONTROL PANEL AND POWER PANEL (CONT'D)

TABLE 7 (CONT'D) – CONTROL PANEL AND POWER PANEL COMPONENTS - YCAL0073-50 & YCAL0087-50
 (SEE FIGS. 6-11, PAGES 20-26)

Item	Qty	Description	YCAL0073-50			YCAL0087-50		
			Single Point Terminal Block	Single Point Non-Fused Disc. Sw.	Single Point Circuit Breaker	Single Point Terminal Block	Single Point Non-Fused Disc. Sw.	Single Point Circuit Breaker
			371-04148-441	371-04148-541	371-04148-642	371-04148-441	371-04148-533	371-04148-633
1A	2	Compressor Contactor (System 1)	024-31818-000	024-31818-000	024-31818-000	024-31818-000	024-31818-000	024-31818-000
1C	2	Surge Suppressor	031-02202-000	031-02202-000	031-02202-000	031-02202-000	031-02202-000	031-02202-000
1E	2	Ground Lug	025-34455-000	025-34455-000	025-34455-000	025-34455-000	025-34455-000	025-34455-000
2	1	Transformer (115/24V)	025-30889-000	025-30889-000	025-30889-000	025-30889-000	025-30889-000	025-30889-000
2A	3	Single Point TB	025-38358-000	N/A	N/A	025-38358-000	N/A	N/A
	1	Single Point CB	N/A	N/A	024-31837-000	N/A	N/A	024-31841-000
	1	Single Point NFDS	N/A	024-31888-000	N/A	N/A	024-31888-000	N/A
2B	1	SP Handle & Oper Mech (NFDS&CB)	N/A	024-31878-000	024-31878-000	N/A	024-31878-000	024-31878-000
2C	1	Single Point Lug Kit	N/A	025-34479-000	025-34477-000	N/A	025-34479-000	025-34478-000
2J	1	Ground Lug	025-34455-000	025-34089-000	025-34455-000	025-34455-000	025-34089-000	025-34088-000
4	2	Transformer (4T & 5T)	025-27911-000	025-27911-000	025-27911-000	025-27911-000	025-27911-000	025-27911-000
5	1	Transformer (3T)	025-18452-000	025-18452-000	025-18452-000	025-18452-000	025-18452-000	025-18452-000
5A	4	Surge Suppressor	031-02100-000	031-02100-000	031-02100-000	031-02100-000	031-02100-000	031-02100-000
5B ^s	4	Fan Contactor	024-34302-000	024-34302-000	024-34302-000	024-34302-000	024-34302-000	024-34302-000
5F ^s	4	Fan Overload	024-33169-000	024-33169-000	024-33169-000	024-33169-000	024-33169-000	024-33169-000
6	1	Bridge Rectifier	031-02201-000	031-02201-000	031-02201-000	031-02201-000	031-02201-000	031-02201-000
6A	2	Relay	024-31635-000	024-31635-000	024-31635-000	024-31635-000	024-31635-000	024-31635-000
	2		024-33177-000	024-33177-000	024-33177-000	024-33177-000	024-33177-000	024-33177-000
6B	2	Surge Suppressor	031-00808-000	031-00808-000	031-00808-000	031-00808-000	031-00808-000	031-00808-000
7	1	Remote Current Reset	031-00814-000	031-00814-000	031-00814-000	031-00814-000	031-00814-000	031-00814-000
8A ^s	1	Micro Board	031-02050-001	031-02050-001	031-02050-001	031-02050-001	031-02050-001	031-02050-001
8B ^s	1	EPROM	031-02049-001	031-02049-001	031-02049-001	031-02049-001	031-02049-001	031-02049-001
10A	1	Fuse Holder	025-34484-000	025-34484-000	025-34484-000	025-34484-000	025-34484-000	025-34484-000
10B	1	Fuse	025-38360-000	025-38360-000	025-38360-000	025-38360-000	025-38360-000	025-38360-000

^s Recommended Spare Part

TABLE 7 (CONT'D) – CONTROL PANEL AND POWER PANEL COMPONENTS - YCAL0107-50
(SEE FIGS. 6-11, PAGES 20-26)

Item	Qty	Description	YCAL0107-50		
			Single Point Terminal Block 371-04148-445	Single Point Non-Fused Disc. Sw. 371-04148-545	Single Point Circuit Breaker 371-04148-645
1A	2	Compressor Contactor (System 1)	024-31818-000	024-31818-000	024-31818-000
1C	2	Surge Suppressor	031-02202-000	031-02202-000	031-02202-000
1E	2	Ground Lug	025-34455-000	025-34455-000	025-34455-000
2	1	Transformer (115/24V)	025-30889-000	025-30889-000	025-30889-000
2A	3	Single Point TB	025-38358-000	N/A	N/A
	1	Single Point CB	N/A	N/A	024-31842-000
	1	Single Point NFDS	N/A	024-31888-000	N/A
2B	1	SP Handle & Oper Mech (NFDS&CB)	N/A	024-31878-000	024-31878-000
2C	1	Single Point Lug Kit	N/A	025-34479-000	025-34478-000
2J	1	Ground Lug	025-34455-000	025-34089-000	025-34088-000
4	2	Transformer (4T & 5T)	025-27911-000	025-27911-000	025-27911-000
5	1	Transformer (3T)	025-18452-000	025-18452-000	025-18452-000
5A	4	Surge Suppressor	031-02100-000	031-02100-000	031-02100-000
5B ^s	4	Fan Contactor	024-34302-000	024-34302-000	024-34302-000
5F ^s	4	Fan Overload	024-33169-000	024-33169-000	024-33169-000
6	1	Bridge Rectifier	031-02201-000	031-02201-000	031-02201-000
6A	2	Relay	024-31635-000	024-31635-000	024-31635-000
	2		024-33177-000	024-33177-000	024-33177-000
6B	2	Surge Suppressor	031-00808-000	031-00808-000	031-00808-000
7	1	Remote Current Reset	031-00814-000	031-00814-000	031-00814-000
8A ^s	1	Micro Board	031-02050-001	031-02050-001	031-02050-001
8B ^s	1	EPR0M	031-02049-001	031-02049-001	031-02049-001
10A	1	Fuse Holder	025-34484-000	025-34484-000	025-34484-000
10B	1	Fuse	025-38360-000	025-38360-000	025-38360-000

^s Recommended Spare Part

CONTROL PANEL AND POWER PANEL (CONT'D)

TABLE 7 (CONT'D) – CONTROL PANEL AND POWER PANEL COMPONENTS - YCAL0117-50 (SEE FIGS. 6-11, PAGES 20-26)

Item	Qty	Description	Multi-Point Sep Sys Term Blocks 371-04149-131	Multi-Point Sep Sys NF Disc. Sws. 371-04149-231	Multi-Point Sep Sys Circuit Brkrs 371-04149-331	Single Point Terminal Block 371-04149-431	Single Point Non-Fused Disc. Sw. 371-04149-541	Single Point Circuit Breaker 371-04149-641	Single Point TB w/ Sep Sys CBs 371-04149-731	Single Point NF Disc Sw w/ Sep Sys CBs 371-04149-841
1A	2	Compressor Contactor (System 1)	024-31818-000	024-31818-000	024-31818-000	024-31818-000	024-31818-000	024-31818-000	024-31818-000	024-31818-000
	2	Compressor Contactor (System 2)	024-31818-000	024-31818-000	024-31818-000	024-31818-000	024-31818-000	024-31818-000	024-31818-000	024-31818-000
1C	4	Surge Suppressor	031-02202-000	031-02202-000	031-02202-000	031-02202-000	031-02202-000	031-02202-000	031-02202-000	031-02202-000
1E	4	Ground Lug	025-34455-000	025-34455-000	025-34455-000	025-34455-000	025-34455-000	025-34455-000	025-34455-000	025-34455-000
2	1	Transformer (115/24V)	025-30889-000	025-30889-000	025-30889-000	025-30889-000	025-30889-000	025-30889-000	025-30889-000	025-30889-000
2A	3	Single Point TB	N/A	N/A	N/A	025-38358-000	N/A	N/A	025-38358-000	N/A
	1	Single Point CB	N/A	N/A	N/A	N/A	N/A	024-31843-000	N/A	N/A
	1	Single Point NFDS	N/A	N/A	N/A	N/A	024-31888-000	N/A	N/A	024-31888-000
2B	1	SP Oper. Mech. (NFDS&CB)	N/A	N/A	N/A	N/A	024-31878-000	024-31878-000	N/A	024-31878-000
2C	1	Single Point Lug Kit	N/A	N/A	N/A	N/A	025-34479-000	025-34478-000	N/A	025-34479-000
2J	1	Ground Lug	N/A	N/A	N/A	025-34455-000	025-34089-000	025-34088-000	025-34455-000	025-34089-000
4	2	Transformer (4T & 5T)	025-27911-000	025-27911-000	025-27911-000	025-27911-000	025-27911-000	025-27911-000	025-27911-000	025-27911-000
4A	3	Terminal Block (System 1)	025-38358-000	N/A	N/A	N/A	N/A	N/A	N/A	N/A
	3	Terminal Block (System 2)	025-38358-000	N/A	N/A	N/A	N/A	N/A	N/A	N/A
	1	Circuit Breaker (System 1)	N/A	N/A	024-31839-000	N/A	N/A	N/A	024-31839-000	024-31839-000
	1	Circuit Breaker (System 2)	N/A	N/A	024-31839-000	N/A	N/A	N/A	024-31839-000	024-31839-000
	1	NF Disconnect Switch (System 1)	N/A	024-31888-000	N/A	N/A	N/A	N/A	N/A	N/A
	1	NF Disconnect Switch (System 2)	N/A	024-31888-000	N/A	N/A	N/A	N/A	N/A	N/A
4B	2	Oper. Mech. (NFDS&CB)	N/A	024-31878-000	024-31878-000	N/A	N/A	N/A	024-31878-000	024-31878-000
4C	2	Lug Kit	N/A	025-34479-000	025-34477-000	N/A	N/A	N/A	025-34477-000	025-34477-000
4J	2	Ground Lug	025-34455-000	025-34089-000	025-34455-000	N/A	N/A	N/A	025-34455-000	025-34455-000
5	1	Transformer (3T)	025-18452-000	025-18452-000	025-18452-000	025-18452-000	025-18452-000	025-18452-000	025-18452-000	025-18452-000
5A	4	Surge Suppressor	031-02100-000	031-02100-000	031-02100-000	031-02100-000	031-02100-000	031-02100-000	031-02100-000	031-02100-000
5B^S	4	Fan Contactor	024-34302-000	024-34302-000	024-34302-000	024-34302-000	024-34302-000	024-34302-000	024-34302-000	024-34302-000
5F^S	4	Fan Overload	024-33169-000	024-33169-000	024-33169-000	024-33169-000	024-33169-000	024-33169-000	024-33169-000	024-33169-000
6	1	Bridge Rectifier	031-02201-000	031-02201-000	031-02201-000	031-02201-000	031-02201-000	031-02201-000	031-02201-000	031-02201-000
6A	2	Relay	024-31635-000	024-31635-000	024-31635-000	024-31635-000	024-31635-000	024-31635-000	024-31635-000	024-31635-000
	2		024-33177-000	024-33177-000	024-33177-000	024-33177-000	024-33177-000	024-33177-000	024-33177-000	024-33177-000
6B	2	Surge Suppressor	031-00808-000	031-00808-000	031-00808-000	031-00808-000	031-00808-000	031-00808-000	031-00808-000	031-00808-000
7	1	Remote Current Reset	031-00814-000	031-00814-000	031-00814-000	031-00814-000	031-00814-000	031-00814-000	031-00814-000	031-00814-000
8A^S	1	Micro Board	031-02050-001	031-02050-001	031-02050-001	031-02050-001	031-02050-001	031-02050-001	031-02050-001	031-02050-001
8B^S	1	EPROM	031-02049-001	031-02049-001	031-02049-001	031-02049-001	031-02049-001	031-02049-001	031-02049-001	031-02049-001
10A	1	Fuse Holder	025-34484-000	025-34484-000	025-34484-000	025-34484-000	025-34484-000	025-34484-000	025-34484-000	025-34484-000
10B	1	Fuse	025-38360-000	025-38360-000	025-38360-000	025-38360-000	025-38360-000	025-38360-000	025-38360-000	025-38360-000

CONTROL PANEL AND POWER PANEL (CONT'D)

TABLE 7 (CONT'D) – CONTROL PANEL AND POWER PANEL COMPONENTS - YCAL0133-50 (SEE FIGS. 6-11, PAGES 20-26)

Item	Qty	Description	Multi-Point Sep Sys Term Blocks 371-04149-131	Multi-Point Sep Sys NF Disc. Sws. 371-04149-231	Multi-Point Sep Sys Circuit Brkrs 371-04149-331	Single Point Terminal Block 371-04149-431	Single Point Non-Fused Disc. Sw. 371-04149-531	Single Point Circuit Breaker 371-04149-641	Single Point TB w/ Sep Sys CBs 371-04149-731	Single Point NF Disc Sw w/ Sep Sys CBs 371-04149-831
1A	2	Compressor Contactor (System 1)	024-31818-000	024-31818-000	024-31818-000	024-31818-000	024-31818-000	024-31818-000	024-31818-000	024-31818-000
	2	Compressor Contactor (System 2)	024-31818-000	024-31818-000	024-31818-000	024-31818-000	024-31818-000	024-31818-000	024-31818-000	024-31818-000
1C	4	Surge Suppressor	031-02202-000	031-02202-000	031-02202-000	031-02202-000	031-02202-000	031-02202-000	031-02202-000	031-02202-000
1E	4	Ground Lug	025-34455-000	025-34455-000	025-34455-000	025-34455-000	025-34455-000	025-34455-000	025-34455-000	025-34455-000
2	1	Transformer (115/24V)	025-30889-000	025-30889-000	025-30889-000	025-30889-000	025-30889-000	025-30889-000	025-30889-000	025-30889-000
2A	3	Single Point TB	N/A	N/A	N/A	025-38358-000	N/A	N/A	025-38358-000	N/A
	1	Single Point CB	N/A	N/A	N/A	N/A	N/A	024-31843-000	N/A	N/A
	1	Single Point NFDS	N/A	N/A	N/A	N/A	024-31888-000	N/A	N/A	024-31888-000
2B	1	SP Oper. Mech. (NFDS&CB)	N/A	N/A	N/A	N/A	024-31878-000	024-31878-000	N/A	024-31878-000
2C	1	Single Point Lug Kit	N/A	N/A	N/A	N/A	025-34479-000	025-34478-000	N/A	025-34479-000
2J	1	Ground Lug	N/A	N/A	N/A	025-34455-000	025-34089-000	025-34088-000	025-34455-000	025-34089-000
4	2	Transformer (4T & 5T)	025-27911-000	025-27911-000	025-27911-000	025-27911-000	025-27911-000	025-27911-000	025-27911-000	025-27911-000
4A	3	Terminal Block (System 1)	025-38358-000	N/A	N/A	N/A	N/A	N/A	N/A	N/A
	3	Terminal Block (System 2)	025-38358-000	N/A	N/A	N/A	N/A	N/A	N/A	N/A
	1	Circuit Breaker (System 1)	N/A	N/A	024-31839-000	N/A	N/A	N/A	024-31839-000	024-31839-000
	1	Circuit Breaker (System 2)	N/A	N/A	024-31839-000	N/A	N/A	N/A	024-31839-000	024-31839-000
	1	NF Disconnect Switch (System 1)	N/A	024-31888-000	N/A	N/A	N/A	N/A	N/A	N/A
	1	NF Disconnect Switch (System 2)	N/A	024-31888-000	N/A	N/A	N/A	N/A	N/A	N/A
4B	2	MP Oper. Mech. (NFDS&CB)	N/A	024-31878-000	024-31878-000	N/A	N/A	N/A	024-31878-000	024-31878-000
4C	1	Lug Kit	N/A	025-34479-000	025-34477-000	N/A	N/A	N/A	025-34477-000	025-34477-000
4J	1	Ground Lug	025-34455-000	025-34089-000	025-34455-000	N/A	N/A	N/A	025-34455-000	025-34455-000
5	1	Transformer (3T)	025-18452-000	025-18452-000	025-18452-000	025-18452-000	025-18452-000	025-18452-000	025-18452-000	025-18452-000
5A	4	Surge Suppressor	031-02100-000	031-02100-000	031-02100-000	031-02100-000	031-02100-000	031-02100-000	031-02100-000	031-02100-000
5B ^S	4	Fan Contactor	024-34302-000	024-34302-000	024-34302-000	024-34302-000	024-34302-000	024-34302-000	024-34302-000	024-34302-000
5F ^S	4	Fan Overload	024-33169-000	024-33169-000	024-33169-000	024-33169-000	024-33169-000	024-33169-000	024-33169-000	024-33169-000
6	1	Bridge Rectifier	031-02201-000	031-02201-000	031-02201-000	031-02201-000	031-02201-000	031-02201-000	031-02201-000	031-02201-000
6A	2	Relay	024-31635-000	024-31635-000	024-31635-000	024-31635-000	024-31635-000	024-31635-000	024-31635-000	024-31635-000
	2		024-33177-000	024-33177-000	024-33177-000	024-33177-000	024-33177-000	024-33177-000	024-33177-000	024-33177-000
6B	2	Surge Suppressor	031-00808-000	031-00808-000	031-00808-000	031-00808-000	031-00808-000	031-00808-000	031-00808-000	031-00808-000
7	1	Remote Current Reset	031-00814-000	031-00814-000	031-00814-000	031-00814-000	031-00814-000	031-00814-000	031-00814-000	031-00814-000
8A ^S	1	Micro Board	031-02050-001	031-02050-001	031-02050-001	031-02050-001	031-02050-001	031-02050-001	031-02050-001	031-02050-001
8B ^S	1	EPROM	031-02049-001	031-02049-001	031-02049-001	031-02049-001	031-02049-001	031-02049-001	031-02049-001	031-02049-001
10A	1	Fuse Holder	025-34484-000	025-34484-000	025-34484-000	025-34484-000	025-34484-000	025-34484-000	025-34484-000	025-34484-000
10B	1	Fuse	025-38360-000	025-38360-000	025-38360-000	025-38360-000	025-38360-000	025-38360-000	025-38360-000	025-38360-000

CONTROL PANEL AND POWER PANEL (CONT'D)

TABLE 7 (CONT'D) – CONTROL PANEL AND POWER PANEL COMPONENTS - YCAL0147-50 (SEE FIGS. 6-11, PAGES 20-26)

Item	Qty	Description	Multi-Point Sep Sys Term Blocks 371-04149-131	Multi-Point Sep Sys NF Disc. Sws. 371-04149-231	Multi-Point Sep Sys Circuit Brkrs 371-04149-331	Single Point Terminal Block 371-04149-431	Single Point Non-Fused Disc. Sw. 371-04149-531	Single Point Circuit Breaker 371-04149-631	Single Point TB w/ Sep Sys CBs 371-04149-731	Single Point NF Disc Sw w/ Sep Sys CBs 371-04149-831
1A	2	Compressor Contactor (System 1)	024-31818-000	024-31818-000	024-31818-000	024-31818-000	024-31818-000	024-31818-000	024-31818-000	024-31818-000
	2	Compressor Contactor (System 2)	024-31818-000	024-31818-000	024-31818-000	024-31818-000	024-31818-000	024-31818-000	024-31818-000	024-31818-000
1C	4	Surge Suppressor	031-02202-000	031-02202-000	031-02202-000	031-02202-000	031-02202-000	031-02202-000	031-02202-000	031-02202-000
1E	4	Ground Lug	025-34455-000	025-34455-000	025-34455-000	025-34455-000	025-34455-000	025-34455-000	025-34455-000	025-34455-000
2	1	Transformer (115/24V)	025-30889-000	025-30889-000	025-30889-000	025-30889-000	025-30889-000	025-30889-000	025-30889-000	025-30889-000
2A	3	Single Point TB	N/A	N/A	N/A	025-38358-000	N/A	N/A	025-38358-000	N/A
	1	Single Point CB	N/A	N/A	N/A	N/A	N/A	024-31844-000	N/A	N/A
	1	Single Point NFDS	N/A	N/A	N/A	N/A	024-31888-000	N/A	N/A	024-31888-000
2B	1	SP Oper. Mech. (NFDS&CB)	N/A	N/A	N/A	N/A	024-31878-000	024-31878-000	N/A	024-31878-000
2C	1	Single Point Lug Kit	N/A	N/A	N/A	N/A	025-34479-000	025-34478-000	N/A	025-34479-000
2J	1	Ground Lug	N/A	N/A	N/A	025-34455-000	025-34089-000	025-34088-000	025-34455-000	025-34089-000
4	2	Transformer (4T & 5T)	025-27911-000	025-27911-000	025-27911-000	025-27911-000	025-27911-000	025-27911-000	025-27911-000	025-27911-000
4A	3	Terminal Block (System 1)	025-38358-000	N/A	N/A	N/A	N/A	N/A	N/A	N/A
	3	Terminal Block (System 2)	025-38358-000	N/A	N/A	N/A	N/A	N/A	N/A	N/A
	1	Circuit Breaker (System 1)	N/A	N/A	024-31839-000	N/A	N/A	N/A	024-31839-000	024-31839-000
	1	Circuit Breaker (System 2)	N/A	N/A	024-31839-000	N/A	N/A	N/A	024-31839-000	024-31839-000
	1	NF Disconnect Switch (System 1)	N/A	024-31888-000	N/A	N/A	N/A	N/A	N/A	N/A
	1	NF Disconnect Switch (System 2)	N/A	024-31888-000	N/A	N/A	N/A	N/A	N/A	N/A
4B	2	MP Oper. Mech. (NFDS&CB)	N/A	024-31878-000	024-31878-000	N/A	N/A	N/A	024-31878-000	024-31878-000
4C	1	Lug Kit	N/A	025-34479-000	025-34477-000	N/A	N/A	N/A	025-34477-000	025-34477-000
4J	1	Ground Lug	025-34455-000	025-34089-000	025-34455-000	N/A	N/A	N/A	025-34455-000	025-34455-000
5	1	Transformer (3T)	025-18452-000	025-18452-000	025-18452-000	025-18452-000	025-18452-000	025-18452-000	025-18452-000	025-18452-000
5A	4	Surge Suppressor	031-02100-000	031-02100-000	031-02100-000	031-02100-000	031-02100-000	031-02100-000	031-02100-000	031-02100-000
5B ^S	4	Fan Contactor	024-34302-000	024-34302-000	024-34302-000	024-34302-000	024-34302-000	024-34302-000	024-34302-000	024-34302-000
5F ^S	4	Fan Overload	024-33169-000	024-33169-000	024-33169-000	024-33169-000	024-33169-000	024-33169-000	024-33169-000	024-33169-000
6	1	Bridge Rectifier	031-02201-000	031-02201-000	031-02201-000	031-02201-000	031-02201-000	031-02201-000	031-02201-000	031-02201-000
6A	2	Relay	024-31635-000	024-31635-000	024-31635-000	024-31635-000	024-31635-000	024-31635-000	024-31635-000	024-31635-000
	2		024-33177-000	024-33177-000	024-33177-000	024-33177-000	024-33177-000	024-33177-000	024-33177-000	024-33177-000
6B	2	Surge Suppressor	031-00808-000	031-00808-000	031-00808-000	031-00808-000	031-00808-000	031-00808-000	031-00808-000	031-00808-000
7	1	Remote Current Reset	031-00814-000	031-00814-000	031-00814-000	031-00814-000	031-00814-000	031-00814-000	031-00814-000	031-00814-000
8A ^S	1	Micro Board	031-02050-001	031-02050-001	031-02050-001	031-02050-001	031-02050-001	031-02050-001	031-02050-001	031-02050-001
8B ^S	1	EPROM	031-02049-001	031-02049-001	031-02049-001	031-02049-001	031-02049-001	031-02049-001	031-02049-001	031-02049-001
10A	1	Fuse Holder	025-34484-000	025-34484-000	025-34484-000	025-34484-000	025-34484-000	025-34484-000	025-34484-000	025-34484-000
10B	1	Fuse	025-38360-000	025-38360-000	025-38360-000	025-38360-000	025-38360-000	025-38360-000	025-38360-000	025-38360-000

CONTROL PANEL AND POWER PANEL (CONT'D)

TABLE 7 (CONT'D) – CONTROL PANEL AND POWER PANEL COMPONENTS - YCAL0157-50 (SEE FIGS. 6-11, PAGES 20-26)

Item	Qty	Description	Multi-Point Sep Sys Term Blocks 371-04149-131	Multi-Point Sep Sys NF Disc. Sws. 371-04149-232	Multi-Point Sep Sys Circuit Brkrs 371-04149-332	Single Point Terminal Block 371-04149-431	Single Point Non-Fused Disc. Sw. 371-04149-531	Single Point Circuit Breaker 371-04149-631	Single Point TB w/ Sep Sys CBs 371-04149-732	Single Point NF Disc Sw w/ Sep Sys CBs 371-04149-832
1A	2	Compressor Contactor (System 1)	024-31818-000	024-31818-000	024-31818-000	024-31818-000	024-31818-000	024-31818-000	024-31818-000	024-31818-000
	2	Compressor Contactor (System 2)	024-31818-000	024-31818-000	024-31818-000	024-31818-000	024-31818-000	024-31818-000	024-31818-000	024-31818-000
1C	4	Surge Suppressor	031-02202-000	031-02202-000	031-02202-000	031-02202-000	031-02202-000	031-02202-000	031-02202-000	031-02202-000
1E	4	Ground Lug	025-34455-000	025-34455-000	025-34455-000	025-34455-000	025-34455-000	025-34455-000	025-34455-000	025-34455-000
2	1	Transformer (115/24V)	025-30889-000	025-30889-000	025-30889-000	025-30889-000	025-30889-000	025-30889-000	025-30889-000	025-30889-000
2A	3	Single Point TB	N/A	N/A	N/A	025-38358-000	N/A	N/A	025-38358-000	N/A
	1	Single Point CB	N/A	N/A	N/A	N/A	N/A	024-31844-000	N/A	N/A
	1	Single Point NFDS	N/A	N/A	N/A	N/A	024-31888-000	N/A	N/A	024-31888-000
2B	1	SP Oper. Mech. (NFDS&CB)	N/A	N/A	N/A	N/A	024-31878-000	024-31878-000	N/A	024-31878-000
2C	1	Single Point Lug Kit	N/A	N/A	N/A	N/A	025-34479-000	025-34478-000	N/A	025-34479-000
2J	1	Ground Lug	N/A	N/A	N/A	025-34455-000	025-34089-000	025-34088-000	025-34455-000	025-34089-000
4	2	Transformer (4T & 5T)	025-27911-000	025-27911-000	025-27911-000	025-27911-000	025-27911-000	025-27911-000	025-27911-000	025-27911-000
4A	3	Terminal Block (System 1)	025-38358-000	N/A	N/A	N/A	N/A	N/A	N/A	N/A
	3	Terminal Block (System 2)	025-38358-000	N/A	N/A	N/A	N/A	N/A	N/A	N/A
	1	Circuit Breaker (System 1)	N/A	N/A	024-31841-000	N/A	N/A	N/A	024-31841-000	024-31841-000
	1	Circuit Breaker (System 2)	N/A	N/A	024-31839-000	N/A	N/A	N/A	024-31839-000	024-31839-000
	1	NF Disconnect Switch (System 1)	N/A	024-31888-000	N/A	N/A	N/A	N/A	N/A	N/A
	1	NF Disconnect Switch (System 2)	N/A	024-31888-000	N/A	N/A	N/A	N/A	N/A	N/A
4B	2	MP Oper. Mech. (NFDS&CB)	N/A	024-31878-000	024-31878-000	N/A	N/A	N/A	024-31878-000	024-31878-000
4C	1	Lug Kit (System 1)	N/A	025-34479-000	025-34478-000	N/A	N/A	N/A	025-34478-000	025-34478-000
	1	Lug Kit (System 2)	N/A	025-34479-000	025-34477-000	N/A	N/A	N/A	025-34477-000	025-34477-000
4J	1	Ground Lug (System 1)	025-34455-000	025-34089-000	025-34088-000	N/A	N/A	N/A	025-34088-000	025-34088-000
	1	Ground Lug (System 2)	025-34455-000	025-34089-000	025-34455-000	N/A	N/A	N/A	025-34455-000	025-34455-000
5	1	Transformer (3T)	025-18452-000	025-18452-000	025-18452-000	025-18452-000	025-18452-000	025-18452-000	025-18452-000	025-18452-000
5A	4	Surge Suppressor	031-02100-000	031-02100-000	031-02100-000	031-02100-000	031-02100-000	031-02100-000	031-02100-000	031-02100-000
5B ^s	4	Fan Contactor	024-34302-000	024-34302-000	024-34302-000	024-34302-000	024-34302-000	024-34302-000	024-34302-000	024-34302-000
5F ^s	4	Fan Overload	024-33169-000	024-33169-000	024-33169-000	024-33169-000	024-33169-000	024-33169-000	024-33169-000	024-33169-000
6	1	Bridge Rectifier	031-02201-000	031-02201-000	031-02201-000	031-02201-000	031-02201-000	031-02201-000	031-02201-000	031-02201-000
6A	2	Relay	024-31635-000	024-31635-000	024-31635-000	024-31635-000	024-31635-000	024-31635-000	024-31635-000	024-31635-000
	2		024-33177-000	024-33177-000	024-33177-000	024-33177-000	024-33177-000	024-33177-000	024-33177-000	024-33177-000
6B	2	Surge Suppressor	031-00808-000	031-00808-000	031-00808-000	031-00808-000	031-00808-000	031-00808-000	031-00808-000	031-00808-000
7	1	Remote Current Reset	031-00814-000	031-00814-000	031-00814-000	031-00814-000	031-00814-000	031-00814-000	031-00814-000	031-00814-000
8A ^s	1	Micro Board	031-02050-001	031-02050-001	031-02050-001	031-02050-001	031-02050-001	031-02050-001	031-02050-001	031-02050-001
8B ^s	1	EPR0M	031-02049-001	031-02049-001	031-02049-001	031-02049-001	031-02049-001	031-02049-001	031-02049-001	031-02049-001
10A	1	Fuse Holder	025-34484-000	025-34484-000	025-34484-000	025-34484-000	025-34484-000	025-34484-000	025-34484-000	025-34484-000
10B	1	Fuse	025-38360-000	025-38360-000	025-38360-000	025-38360-000	025-38360-000	025-38360-000	025-38360-000	025-38360-000

Control & Power Panel

CONTROL PANEL AND POWER PANEL (CONT'D)

TABLE 7 (CONT'D) – CONTROL PANEL AND POWER PANEL COMPONENTS - YCAL0173-50 (SEE FIGS. 6-11, PAGES 20-26)

Item	Qty	Description	Multi-Point Sep Sys Term Blocks 371-04149-131	Multi-Point Sep Sys NF Disc. Sws. 371-04149-233	Multi-Point Sep Sys Circuit Brkrs 371-04149-333	Single Point Terminal Block 371-04149-433	Single Point Non-Fused Disc. Sw. 371-04149-531	Single Point Circuit Breaker 371-04149-631	Single Point TB w/ Sep Sys CBs 371-04149-733	Single Point NF Disc Sw w/ Sep Sys CBs 371-04149-833
1A	2	Compressor Contactor (System 1)	024-31818-000	024-31818-000	024-31818-000	024-31818-000	024-31818-000	024-31818-000	024-31818-000	024-31818-000
	2	Compressor Contactor (System 2)	024-31818-000	024-31818-000	024-31818-000	024-31818-000	024-31818-000	024-31818-000	024-31818-000	024-31818-000
1C	4	Surge Suppressor	031-02202-000	031-02202-000	031-02202-000	031-02202-000	031-02202-000	031-02202-000	031-02202-000	031-02202-000
1E	4	Ground Lug	025-34455-000	025-34455-000	025-34455-000	025-34455-000	025-34455-000	025-34455-000	025-34455-000	025-34455-000
2	1	Transformer (115/24V)	025-30889-000	025-30889-000	025-30889-000	025-30889-000	025-30889-000	025-30889-000	025-30889-000	025-30889-000
2A	3	Single Point TB	N/A	N/A	N/A	025-38363-000	N/A	N/A	025-38363-000	N/A
	1	Single Point CB	N/A	N/A	N/A	N/A	N/A	024-31844-000	N/A	N/A
	1	Single Point NFDS	N/A	N/A	N/A	N/A	024-31888-000	N/A	N/A	024-31888-000
2B	1	SP Oper. Mech. (NFDS&CB)	N/A	N/A	N/A	N/A	024-31878-000	024-31878-000	N/A	024-31878-000
2C	1	Single Point Lug Kit	N/A	N/A	N/A	N/A	025-34479-000	025-34478-000	N/A	025-34479-000
2J	1	Ground Lug	N/A	N/A	N/A	025-34455-000	025-34089-000	025-34088-000	025-34455-000	025-34089-000
4	2	Transformer (4T & 5T)	025-27911-000	025-27911-000	025-27911-000	025-27911-000	025-27911-000	025-27911-000	025-27911-000	025-27911-000
4A	3	Terminal Block (System 1)	025-38358-000	N/A	N/A	N/A	N/A	N/A	N/A	N/A
	3	Terminal Block (System 2)	025-38358-000	N/A	N/A	N/A	N/A	N/A	N/A	N/A
	1	Circuit Breaker (System 1)	N/A	N/A	024-31841-000	N/A	N/A	N/A	024-31841-000	024-31841-000
	1	Circuit Breaker (System 2)	N/A	N/A	024-31841-000	N/A	N/A	N/A	024-31841-000	024-31841-000
	1	NF Disconnect Switch (System 1)	N/A	024-31888-000	N/A	N/A	N/A	N/A	N/A	N/A
	1	NF Disconnect Switch (System 2)	N/A	024-31888-000	N/A	N/A	N/A	N/A	N/A	N/A
4B	2	MP Oper. Mech. (NFDS&CB)	N/A	024-31878-000	024-31878-000	N/A	N/A	N/A	024-31878-000	024-31878-000
4C	1	Lug Kit	N/A	025-34479-000	025-34478-000	N/A	N/A	N/A	025-34478-000	025-34478-000
4J	1	Ground Lug	025-34455-000	025-34089-000	025-34088-000	N/A	N/A	N/A	025-34088-000	025-34088-000
5	1	Transformer (3T)	025-18452-000	025-18452-000	025-18452-000	025-18452-000	025-18452-000	025-18452-000	025-18452-000	025-18452-000
5A	4	Surge Suppressor	031-02100-000	031-02100-000	031-02100-000	031-02100-000	031-02100-000	031-02100-000	031-02100-000	031-02100-000
5B ^S	4	Fan Contactor	024-34302-000	024-34302-000	024-34302-000	024-34302-000	024-34302-000	024-34302-000	024-34302-000	024-34302-000
5F ^S	4	Fan Overload	024-33169-000	024-33169-000	024-33169-000	024-33169-000	024-33169-000	024-33169-000	024-33169-000	024-33169-000
6	1	Bridge Rectifier	031-02201-000	031-02201-000	031-02201-000	031-02201-000	031-02201-000	031-02201-000	031-02201-000	031-02201-000
6A	2	Relay	024-31635-000	024-31635-000	024-31635-000	024-31635-000	024-31635-000	024-31635-000	024-31635-000	024-31635-000
	2		024-33177-000	024-33177-000	024-33177-000	024-33177-000	024-33177-000	024-33177-000	024-33177-000	024-33177-000
6B	2	Surge Suppressor	031-00808-000	031-00808-000	031-00808-000	031-00808-000	031-00808-000	031-00808-000	031-00808-000	031-00808-000
7	1	Remote Current Reset	031-00814-000	031-00814-000	031-00814-000	031-00814-000	031-00814-000	031-00814-000	031-00814-000	031-00814-000
8A ^S	1	Micro Board	031-02050-001	031-02050-001	031-02050-001	031-02050-001	031-02050-001	031-02050-001	031-02050-001	031-02050-001
8B ^S	1	EPROM	031-02049-001	031-02049-001	031-02049-001	031-02049-001	031-02049-001	031-02049-001	031-02049-001	031-02049-001
10A	1	Fuse Holder	025-34484-000	025-34484-000	025-34484-000	025-34484-000	025-34484-000	025-34484-000	025-34484-000	025-34484-000
10B	1	Fuse	025-38360-000	025-38360-000	025-38360-000	025-38360-000	025-38360-000	025-38360-000	025-38360-000	025-38360-000

CONTROL PANEL AND POWER PANEL (CONT'D)

TABLE 7 (CONT'D) – CONTROL PANEL AND POWER PANEL COMPONENTS - YCAL0197-50 (SEE FIGS. 6-11, PAGES 20-26)

Item	Qty	Description	Multi-Point Sep Sys Term Blocks 371-04150-141	Multi-Point Sep Sys NF Disc. Sws. 371-04150-241	Multi-Point Sep Sys Circuit Brkrs 371-04150-341	Single Point Terminal Block 371-04150-441	Single Point Non-Fused Disc. Sw. 371-04150-541	Single Point Circuit Breaker 371-04150-641	Single Point TB w/ Sep Sys CBs 371-04150-741	Single Point NF Disc Sw w/ Sep Sys CBs 371-04150-841
1A	2	Compressor Contactor (System 1)	024-31818-000	024-31818-000	024-31818-000	024-31818-000	024-31818-000	024-31818-000	024-31818-000	024-31818-000
	2	Compressor Contactor (System 2)	024-31818-000	024-31818-000	024-31818-000	024-31818-000	024-31818-000	024-31818-000	024-31818-000	024-31818-000
1C	4	Surge Suppressor	031-02202-000	031-02202-000	031-02202-000	031-02202-000	031-02202-000	031-02202-000	031-02202-000	031-02202-000
1E	4	Ground Lug	025-34455-000	025-34455-000	025-34455-000	025-34455-000	025-34455-000	025-34455-000	025-34455-000	025-34455-000
2	1	Transformer (115/24V)	025-30889-000	025-30889-000	025-30889-000	025-30889-000	025-30889-000	025-30889-000	025-30889-000	025-30889-000
2A	3	Single Point TB	N/A	N/A	N/A	025-38363-000	N/A	N/A	025-38363-000	N/A
	1	Single Point CB	N/A	N/A	N/A	N/A	N/A	024-31649-000	N/A	N/A
	1	Single Point NFDS	N/A	N/A	N/A	N/A	024-31888-000	N/A	N/A	024-31888-000
2B	1	SP Oper. Mech. (NFDS&CB)	N/A	N/A	N/A	N/A	024-31878-000	024-31879-000	N/A	024-31878-000
2C	1	Single Point Lug Kit	N/A	N/A	N/A	N/A	025-34479-000	025-34479-000	N/A	025-34479-000
2J	1	Ground Lug	N/A	N/A	N/A	025-34088-000	025-34089-000	025-34088-000	025-34088-000	025-34089-000
4	2	Transformer (4T & 5T)	025-27911-000	025-27911-000	025-27911-000	025-27911-000	025-27911-000	025-27911-000	025-27911-000	025-27911-000
4A	3	Terminal Block (System 1)	025-38358-000	N/A	N/A	N/A	N/A	N/A	N/A	N/A
	3	Terminal Block (System 2)	025-38358-000	N/A	N/A	N/A	N/A	N/A	N/A	N/A
	1	Circuit Breaker (System 1)	N/A	N/A	024-31842-000	N/A	N/A	N/A	024-31842-000	024-31842-000
	1	Circuit Breaker (System 2)	N/A	N/A	024-31840-000	N/A	N/A	N/A	024-31840-000	024-31840-000
	1	NF Disconnect Switch (System 1)	N/A	024-31888-000	N/A	N/A	N/A	N/A	N/A	N/A
	1	NF Disconnect Switch (System 2)	N/A	024-31888-000	N/A	N/A	N/A	N/A	N/A	N/A
4B	2	MP Oper. Mech. (NFDS&CB)	N/A	024-31878-000	024-31878-000	N/A	N/A	N/A	024-31878-000	024-31878-000
4C	1	Lug Kit	N/A	025-34479-000	025-34478-000	N/A	N/A	N/A	025-34478-000	025-34478-000
4J	1	Ground Lug	025-34455-000	025-34089-000	025-34088-000	N/A	N/A	N/A	025-34088-000	025-34088-000
5	1	Transformer (3T)	025-18452-000	025-18452-000	025-18452-000	025-18452-000	025-18452-000	025-18452-000	025-18452-000	025-18452-000
5A	4	Surge Suppressor	031-02100-000	031-02100-000	031-02100-000	031-02100-000	031-02100-000	031-02100-000	031-02100-000	031-02100-000
5B ^S	4	Fan Contactor	024-34302-000	024-34302-000	024-34302-000	024-34302-000	024-34302-000	024-34302-000	024-34302-000	024-34302-000
5F ^S	4	Fan Overload	024-33169-000	024-33169-000	024-33169-000	024-33169-000	024-33169-000	024-33169-000	024-33169-000	024-33169-000
6	1	Bridge Rectifier	031-02201-000	031-02201-000	031-02201-000	031-02201-000	031-02201-000	031-02201-000	031-02201-000	031-02201-000
6A	2	Relay	024-31635-000	024-31635-000	024-31635-000	024-31635-000	024-31635-000	024-31635-000	024-31635-000	024-31635-000
	2		024-33177-000	024-33177-000	024-33177-000	024-33177-000	024-33177-000	024-33177-000	024-33177-000	024-33177-000
6B	2	Surge Suppressor	031-00808-000	031-00808-000	031-00808-000	031-00808-000	031-00808-000	031-00808-000	031-00808-000	031-00808-000
7	1	Remote Current Reset	031-00814-000	031-00814-000	031-00814-000	031-00814-000	031-00814-000	031-00814-000	031-00814-000	031-00814-000
8A ^S	1	Micro Board	031-02050-001	031-02050-001	031-02050-001	031-02050-001	031-02050-001	031-02050-001	031-02050-001	031-02050-001
8B ^S	1	EPROM	031-02049-001	031-02049-001	031-02049-001	031-02049-001	031-02049-001	031-02049-001	031-02049-001	031-02049-001
10A	1	Fuse Holder	025-34484-000	025-34484-000	025-34484-000	025-34484-000	025-34484-000	025-34484-000	025-34484-000	025-34484-000
10B	1	Fuse	025-38360-000	025-38360-000	025-38360-000	025-38360-000	025-38360-000	025-38360-000	025-38360-000	025-38360-000

CONTROL PANEL AND POWER PANEL (CONT'D)

TABLE 7 (CONT'D) – CONTROL PANEL AND POWER PANEL COMPONENTS - YCAL0217-50 (SEE FIGS. 6-11, PAGES 20-26)

Item	Qty	Description	Multi-Point Sep Sys Term Blocks 371-04150-141	Multi-Point Sep Sys NF Disc. Sws. 371-04150-241	Multi-Point Sep Sys Circuit Brkrs 371-04150-342	Single Point Terminal Block 371-04150-441	Single Point Non-Fused Disc. Sw. 371-04150-542	Single Point Circuit Breaker 371-04150-641	Single Point TB w/ Sep Sys CBs 371-04150-742	Single Point NF Disc Sw w/ Sep Sys CBs 371-04150-842
1A	3	Compressor Contactor (System 1)	024-31818-000	024-31818-000	024-31818-000	024-31818-000	024-31818-000	024-31818-000	024-31818-000	024-31818-000
	3	Compressor Contactor (System 2)	024-31818-000	024-31818-000	024-31818-000	024-31818-000	024-31818-000	024-31818-000	024-31818-000	024-31818-000
1C	6	Surge Suppressor	031-02202-000	031-02202-000	031-02202-000	031-02202-000	031-02202-000	031-02202-000	031-02202-000	031-02202-000
1E	6	Ground Lug	025-34455-000	025-34455-000	025-34455-000	025-34455-000	025-34455-000	025-34455-000	025-34455-000	025-34455-000
2	1	Transformer (115/24V)	025-30889-000	025-30889-000	025-30889-000	025-30889-000	025-30889-000	025-30889-000	025-30889-000	025-30889-000
2A	3	Single Point TB	N/A	N/A	N/A	025-38363-000	N/A	N/A	025-38363-000	N/A
	1	Single Point CB	N/A	N/A	N/A	N/A	N/A	024-31649-000	N/A	N/A
	1	Single Point NFDS	N/A	N/A	N/A	N/A	024-30963-000	N/A	N/A	024-30963-000
2B	1	SP Oper. Mech. (NFDS&CB)	N/A	N/A	N/A	N/A	024-31878-000	024-31879-000	N/A	024-31878-000
2C	1	Single Point Lug Kit	N/A	N/A	N/A	N/A	025-34418-000	025-34479-000	N/A	025-34418-000
2J	1	Ground Lug	N/A	N/A	N/A	025-34088-000	025-34085-000	025-34089-000	025-34088-000	025-34085-000
4	2	Transformer (4T & 5T)	025-27911-000	025-27911-000	025-27911-000	025-27911-000	025-27911-000	025-27911-000	025-27911-000	025-27911-000
4A	3	Terminal Block (System 1)	025-38358-000	N/A	N/A	N/A	N/A	N/A	N/A	N/A
	3	Terminal Block (System 2)	025-38358-000	N/A	N/A	N/A	N/A	N/A	N/A	N/A
	1	Circuit Breaker (System 1)	N/A	N/A	024-31842-000	N/A	N/A	N/A	024-31842-000	024-31842-000
	1	Circuit Breaker (System 2)	N/A	N/A	024-31842-000	N/A	N/A	N/A	024-31842-000	024-31842-000
	1	NF Disconnect Switch (System 1)	N/A	024-31888-000	N/A	N/A	N/A	N/A	N/A	N/A
	1	NF Disconnect Switch (System 2)	N/A	024-31888-000	N/A	N/A	N/A	N/A	N/A	N/A
4B	2	MP Oper. Mech. (NFDS&CB)	N/A	024-31878-000	024-31878-000	N/A	N/A	N/A	024-31878-000	024-31878-000
4C	1	Lug Kit	N/A	025-34479-000	025-34478-000	N/A	N/A	N/A	025-34478-000	025-34478-000
4J	1	Ground Lug	025-34455-000	025-34089-000	025-34088-000	N/A	N/A	N/A	025-34088-000	025-34088-000
5	1	Transformer (3T)	025-18452-000	025-18452-000	025-18452-000	025-18452-000	025-18452-000	025-18452-000	025-18452-000	025-18452-000
5A	4	Surge Suppressor	031-02100-000	031-02100-000	031-02100-000	031-02100-000	031-02100-000	031-02100-000	031-02100-000	031-02100-000
5B ^S	4	Fan Contactor	024-34302-000	024-34302-000	024-34302-000	024-34302-000	024-34302-000	024-34302-000	024-34302-000	024-34302-000
5F ^S	4	Fan Overload	024-33169-000	024-33169-000	024-33169-000	024-33169-000	024-33169-000	024-33169-000	024-33169-000	024-33169-000
6	1	Bridge Rectifier	031-02201-000	031-02201-000	031-02201-000	031-02201-000	031-02201-000	031-02201-000	031-02201-000	031-02201-000
6A	2	Relay	024-31635-000	024-31635-000	024-31635-000	024-31635-000	024-31635-000	024-31635-000	024-31635-000	024-31635-000
	2		024-33177-000	024-33177-000	024-33177-000	024-33177-000	024-33177-000	024-33177-000	024-33177-000	024-33177-000
6B	2	Surge Suppressor	031-00808-000	031-00808-000	031-00808-000	031-00808-000	031-00808-000	031-00808-000	031-00808-000	031-00808-000
7	1	Remote Current Reset	031-00814-000	031-00814-000	031-00814-000	031-00814-000	031-00814-000	031-00814-000	031-00814-000	031-00814-000
8A ^S	1	Micro Board	031-02050-001	031-02050-001	031-02050-001	031-02050-001	031-02050-001	031-02050-001	031-02050-001	031-02050-001
8B ^S	1	EPROM	031-02049-001	031-02049-001	031-02049-001	031-02049-001	031-02049-001	031-02049-001	031-02049-001	031-02049-001
10A	1	Fuse Holder	025-34484-000	025-34484-000	025-34484-000	025-34484-000	025-34484-000	025-34484-000	025-34484-000	025-34484-000
10B	1	Fuse	025-38360-000	025-38360-000	025-38360-000	025-38360-000	025-38360-000	025-38360-000	025-38360-000	025-38360-000

CONTROL PANEL AND POWER PANEL (CONT'D)

TABLE 7 (CONT'D) – CONTROL PANEL AND POWER PANEL COMPONENTS - YCAL0237-50 (SEE FIGS. 6-11, PAGES 20-26)

Item	Qty	Description	Multi-Point Sep Sys Term Blocks 371-04150-141	Multi-Point Sep Sys NF Disc. Sws. 371-04150-241	Multi-Point Sep Sys Circuit Brkrs 371-04150-331	Single Point Terminal Block 371-04150-431	Single Point Non-Fused Disc. Sw. 371-04150-531	Single Point Circuit Breaker 371-04150-631	Single Point TB w/ Sep Sys CBs 371-04150-731	Single Point NF Disc Sw w/ Sep Sys CBs 371-04150-831
1A	3	Compressor Contactor (System 1)	024-31818-000	024-31818-000	024-31818-000	024-31107-000	024-31107-000	024-31107-000	024-31818-000	024-31818-000
	3	Compressor Contactor (System 2)	024-31818-000	024-31818-000	024-31818-000	024-31107-000	024-31107-000	024-31107-000	024-31818-000	024-31818-000
1C	6	Surge Suppressor	031-02202-000	031-02202-000	031-02202-000	031-02203-000	031-02203-000	031-02203-000	031-02202-000	031-02202-000
1E	6	Ground Lug	025-34455-000	025-34455-000	025-34455-000	025-34455-000	025-34455-000	025-34455-000	025-34455-000	025-34455-000
2	1	Transformer (115/24V)	025-30889-000	025-30889-000	025-30889-000	025-30889-000	025-30889-000	025-30889-000	025-30889-000	025-30889-000
2A	3	Single Point TB	N/A	N/A	N/A	025-38363-000	N/A	N/A	025-38363-000	N/A
	1	Single Point CB	N/A	N/A	N/A	N/A	N/A	024-31820-000	N/A	N/A
	1	Single Point NFDS	N/A	N/A	N/A	N/A	024-30963-000	N/A	N/A	024-33442-000
2B	1	SP Oper. Mech. (NFDS&CB)	N/A	N/A	N/A	N/A	024-31878-000	024-31879-000	N/A	024-33444-000
2C	1	Single Point Lug Kit	N/A	N/A	N/A	N/A	025-34418-000	025-34480-000	N/A	025-34418-000
2J	1	Ground Lug	N/A	N/A	N/A	025-34088-000	025-34085-000	025-34089-000	025-34088-000	025-34085-000
4	2	Transformer (4T & 5T)	025-27911-000	025-27911-000	025-27911-000	025-27911-000	025-27911-000	025-27911-000	025-27911-000	025-27911-000
4A	3	Terminal Block (System 1)	025-38358-000	N/A	N/A	N/A	N/A	N/A	N/A	N/A
	3	Terminal Block (System 2)	025-38358-000	N/A	N/A	N/A	N/A	N/A	N/A	N/A
	1	Circuit Breaker (System 1)	N/A	N/A	024-31843-000	N/A	N/A	N/A	024-31843-000	024-31843-000
	1	Circuit Breaker (System 2)	N/A	N/A	024-31842-000	N/A	N/A	N/A	024-31842-000	024-31842-000
	1	NF Disconnect Switch (System 1)	N/A	024-31888-000	N/A	N/A	N/A	N/A	N/A	N/A
	1	NF Disconnect Switch (System 2)	N/A	024-31888-000	N/A	N/A	N/A	N/A	N/A	N/A
4B	2	MP Oper. Mech. (NFDS&CB)	N/A	024-31878-000	024-31878-000	N/A	N/A	N/A	024-31878-000	024-31878-000
4C	1	Lug Kit	N/A	025-34479-000	025-34478-000	N/A	N/A	N/A	025-34478-000	025-34478-000
4J	1	Ground Lug	025-34455-000	025-34089-000	025-34088-000	N/A	N/A	N/A	025-34088-000	025-34088-000
5	1	Transformer (3T)	025-18452-000	025-18452-000	025-18452-000	025-18452-000	025-18452-000	025-18452-000	025-18452-000	025-18452-000
5A	4	Surge Suppressor	031-02100-000	031-02100-000	031-02100-000	031-02100-000	031-02100-000	031-02100-000	031-02100-000	031-02100-000
5B ^S	4	Fan Contactor	024-34302-000	024-34302-000	024-34302-000	024-34302-000	024-34302-000	024-34302-000	024-34302-000	024-34302-000
5F ^S	4	Fan Overload	024-33169-000	024-33169-000	024-33169-000	024-33169-000	024-33169-000	024-33169-000	024-33169-000	024-33169-000
6	1	Bridge Rectifier	031-02201-000	031-02201-000	031-02201-000	031-02201-000	031-02201-000	031-02201-000	031-02201-000	031-02201-000
6A	2	Relay	024-31635-000	024-31635-000	024-31635-000	024-31635-000	024-31635-000	024-31635-000	024-31635-000	024-31635-000
	2		024-33177-000	024-33177-000	024-33177-000	024-33177-000	024-33177-000	024-33177-000	024-33177-000	024-33177-000
6B	2	Surge Suppressor	031-00808-000	031-00808-000	031-00808-000	031-00808-000	031-00808-000	031-00808-000	031-00808-000	031-00808-000
7	1	Remote Current Reset	031-00814-000	031-00814-000	031-00814-000	031-00814-000	031-00814-000	031-00814-000	031-00814-000	031-00814-000
8A ^S	1	Micro Board	031-02050-001	031-02050-001	031-02050-001	031-02050-001	031-02050-001	031-02050-001	031-02050-001	031-02050-001
8B ^S	1	EPROM	031-02049-001	031-02049-001	031-02049-001	031-02049-001	031-02049-001	031-02049-001	031-02049-001	031-02049-001
10A	1	Fuse Holder	025-34484-000	025-34484-000	025-34484-000	025-34484-000	025-34484-000	025-34484-000	025-34484-000	025-34484-000
10B	1	Fuse	025-38360-000	025-38360-000	025-38360-000	025-38360-000	025-38360-000	025-38360-000	025-38360-000	025-38360-000

CONTROL PANEL AND POWER PANEL (CONT'D)

TABLE 7 (CONT'D) – CONTROL PANEL AND POWER PANEL COMPONENTS - YCAL0253-50 (SEE FIGS. 6-11, PAGES 20-26)

Item	Qty	Description	Multi-Point Sep Sys Term Blocks 371-04150-141	Multi-Point Sep Sys NF Disc. Sws. 371-04150-241	Multi-Point Sep Sys Circuit Brkrs 371-04150-332	Single Point Terminal Block 371-04150-431	Single Point Non-Fused Disc. Sw. 371-04150-531	Single Point Circuit Breaker 371-04150-631	Single Point TB w/ Sep Sys CBs 371-04150-732	Single Point NF Disc Sw w/ Sep Sys CBs 371-04150-832
1A	3	Compressor Contactor (System 1)	024-31818-000	024-31818-000	024-31818-000	024-31107-000	024-31107-000	024-31107-000	024-31818-000	024-31818-000
	3	Compressor Contactor (System 2)	024-31818-000	024-31818-000	024-31818-000	024-31107-000	024-31107-000	024-31107-000	024-31818-000	024-31818-000
1C	6	Surge Suppressor	031-02202-000	031-02202-000	031-02202-000	031-02203-000	031-02203-000	031-02203-000	031-02202-000	031-02202-000
1E	6	Ground Lug	025-34455-000	025-34455-000	025-34455-000	025-34455-000	025-34455-000	025-34455-000	025-34455-000	025-34455-000
2	1	Transformer (115/24V)	025-30889-000	025-30889-000	025-30889-000	025-30889-000	025-30889-000	025-30889-000	025-30889-000	025-30889-000
2A	3	Single Point TB	N/A	N/A	N/A	025-38363-000	N/A	N/A	025-38363-000	N/A
	1	Single Point CB	N/A	N/A	N/A	N/A	N/A	024-31820-000	N/A	N/A
	1	Single Point NFDS	N/A	N/A	N/A	N/A	024-30963-000	N/A	N/A	024-30963-000
2B	1	SP Oper. Mech. (NFDS&CB)	N/A	N/A	N/A	N/A	024-31878-000	024-31878-000	N/A	024-31878-000
2C	1	Single Point Lug Kit	N/A	N/A	N/A	N/A	025-34418-000	025-34418-000	N/A	025-34418-000
2J	1	Ground Lug	N/A	N/A	N/A	025-34088-000	025-34085-000	025-34089-000	025-34088-000	025-34085-000
4	2	Transformer (4T & 5T)	025-27911-000	025-27911-000	025-27911-000	025-27911-000	025-27911-000	025-27911-000	025-27911-000	025-27911-000
4A	3	Terminal Block (System 1)	025-38358-000	N/A	N/A	N/A	N/A	N/A	N/A	N/A
	3	Terminal Block (System 2)	025-38358-000	N/A	N/A	N/A	N/A	N/A	N/A	N/A
	1	Circuit Breaker (System 1)	N/A	N/A	024-31843-000	N/A	N/A	N/A	024-31843-000	024-31843-000
	1	Circuit Breaker (System 2)	N/A	N/A	024-31843-000	N/A	N/A	N/A	024-31843-000	024-31843-000
	1	NF Disconnect Switch (System 1)	N/A	024-31888-000	N/A	N/A	N/A	N/A	N/A	N/A
	1	NF Disconnect Switch (System 2)	N/A	024-31888-000	N/A	N/A	N/A	N/A	N/A	N/A
4B	2	MP Oper. Mech. (NFDS&CB)	N/A	024-31878-000	024-31878-000	N/A	N/A	N/A	024-31878-000	024-31878-000
4C	1	Lug Kit	N/A	025-34479-000	025-34478-000	N/A	N/A	N/A	025-34478-000	025-34478-000
4J	1	Ground Lug	025-34455-000	025-34089-000	025-34088-000	N/A	N/A	N/A	025-34088-000	025-34088-000
5	1	Transformer (3T)	025-18452-000	025-18452-000	025-18452-000	025-18452-000	025-18452-000	025-18452-000	025-18452-000	025-18452-000
5A	4	Surge Suppressor	031-02100-000	031-02100-000	031-02100-000	031-02100-000	031-02100-000	031-02100-000	031-02100-000	031-02100-000
5B ^S	4	Fan Contactor	024-34302-000	024-34302-000	024-34302-000	024-34302-000	024-34302-000	024-34302-000	024-34302-000	024-34302-000
5F ^S	4	Fan Overload	024-33169-000	024-33169-000	024-33169-000	024-33169-000	024-33169-000	024-33169-000	024-33169-000	024-33169-000
6	1	Bridge Rectifier	031-02201-000	031-02201-000	031-02201-000	031-02201-000	031-02201-000	031-02201-000	031-02201-000	031-02201-000
6A	2	Relay	024-31635-000	024-31635-000	024-31635-000	024-31635-000	024-31635-000	024-31635-000	024-31635-000	024-31635-000
	2		024-33177-000	024-33177-000	024-33177-000	024-33177-000	024-33177-000	024-33177-000	024-33177-000	024-33177-000
6B	2	Surge Suppressor	031-00808-000	031-00808-000	031-00808-000	031-00808-000	031-00808-000	031-00808-000	031-00808-000	031-00808-000
7	1	Remote Current Reset	031-00814-000	031-00814-000	031-00814-000	031-00814-000	031-00814-000	031-00814-000	031-00814-000	031-00814-000
8A ^S	1	Micro Board	031-02050-001	031-02050-001	031-02050-001	031-02050-001	031-02050-001	031-02050-001	031-02050-001	031-02050-001
8B ^S	1	EPROM	031-02049-001	031-02049-001	031-02049-001	031-02049-001	031-02049-001	031-02049-001	031-02049-001	031-02049-001
10A	1	Fuse Holder	025-34484-000	025-34484-000	025-34484-000	025-34484-000	025-34484-000	025-34484-000	025-34484-000	025-34484-000
10B	1	Fuse	025-38360-000	025-38360-000	025-38360-000	025-38360-000	025-38360-000	025-38360-000	025-38360-000	025-38360-000

CONTROL PANEL AND POWER PANEL (CONT'D)

SENSOR HARNESSES

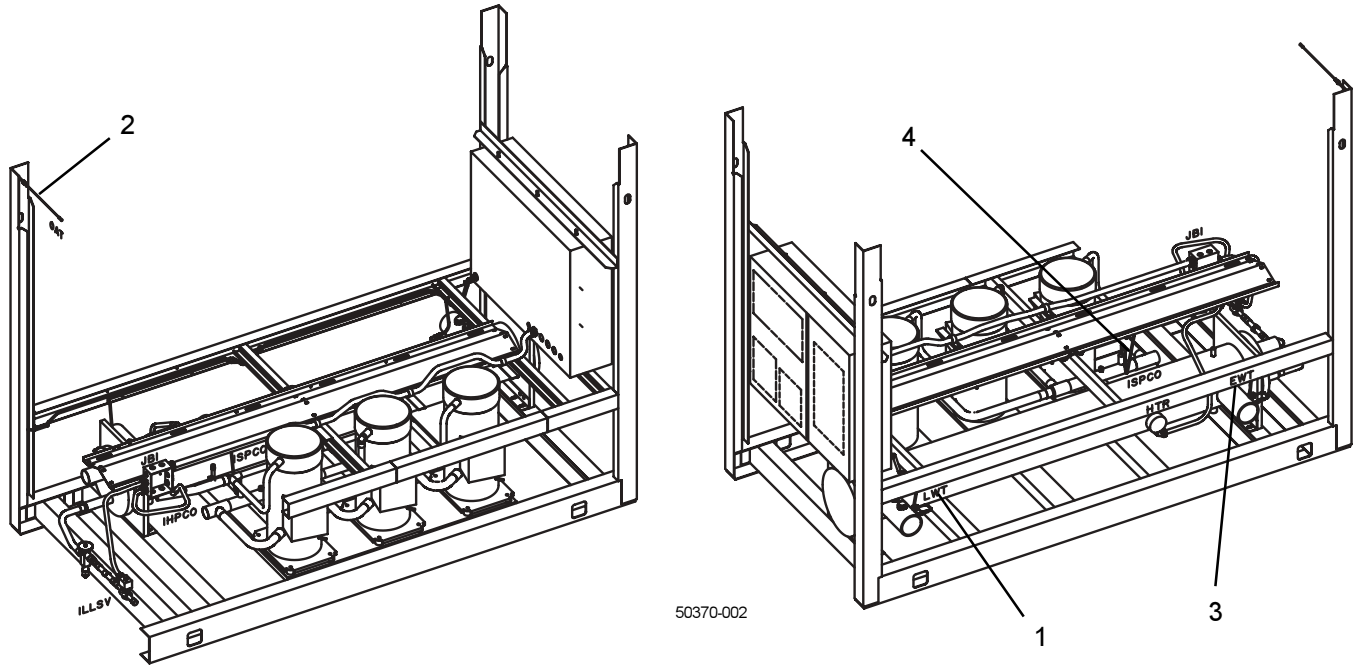


FIG. 12A – SENSOR HARNESS - YCAL0043-YCAL0107 (REF. TABLE 8A)

TABLE 8A – SENSOR HARNESS - YCAL0043-YCAL0107 (SEE FIG. 12A)

BOARD LOCATION	CABLE NO.	LENGTH IN INCHES	WIRE COLOR	PLUG PIN NO.	FUNCTION	HARNESS ASSEMBLY PART NUMBER
MICRO P4	4	140"	RED	5	SYS #1 SUCTION PRESSURE	375-30434-401
			WHT	10		
			BLK	1		
			DRAIN	2		
(Optional Kit)	6"	204"	RED	7	SYS #1 DISCHARGE PRESSURE	375-30432-403
			WHT	12		
			BLK	8		
			DRAIN	9		
MICRO P6	1	60"	BLK	5	LEAVING CHILLED WATER TEMP	375-30434-405
			RED	8		
	3	140"	DRAIN	2	ENTERING CHILLED WATER TEMP	375-30434-407
			BLK	6		
	2	192"	RED	9	OUTSIDE AIR TEMP.	375-30434-406
			DRAIN	3		
MICRO P5	115* 407C Only	138"	BLK	4	SYS #1 LIQUID TEMP. SENSOR	371-37965-281
			RED	7		
	8* (Optional Kit)	N/A	DRAIN	2	SYS #1 SUCTION TEMP. SENSOR	N/A
			RED	14		
EEV OUTPUT BOARD AND TRANSFORMER 4T, 5T	10* (Optional Kit)	N/A	BLK	4T	SYS #1 EEV OUTPUT	N/A
			RED	TB 1-2		

* Not Shown.

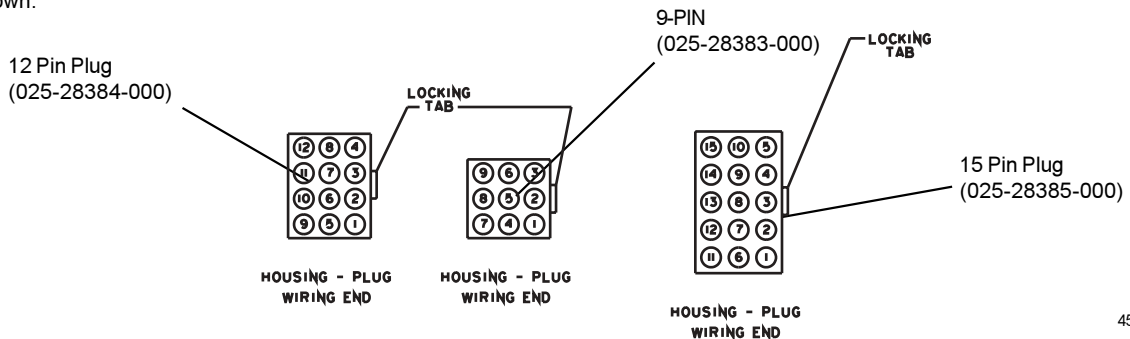


FIG. 12 – SENSOR HOUSING PART NUMBERS

SENSOR HARNESSSES - CONT'D

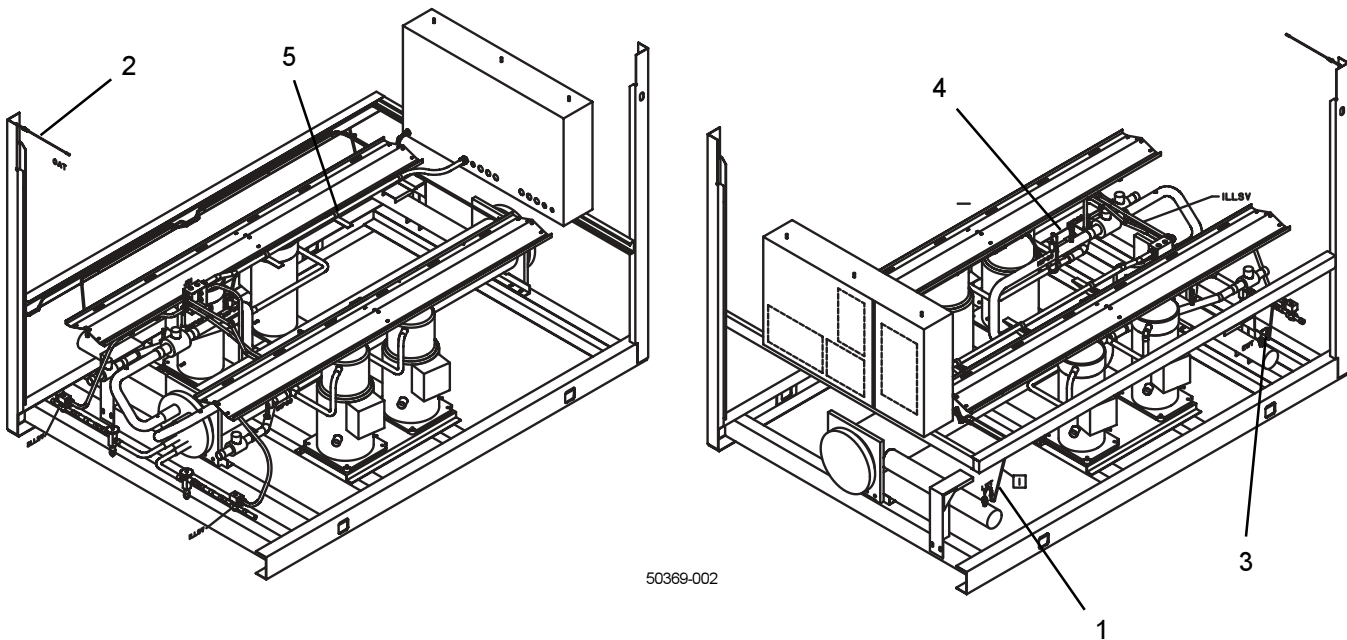


FIG. 12B – SENSOR HARNESS - YCAL0117-YCAL0173 (REF. TABLE 8B)

TABLE 8B – SENSOR HARNESS - YCAL0117-YCAL0173 (SEE FIG. 12B)

BOARD LOCATION	CABLE NO.	LENGTH IN INCHES	WIRE COLOR	PLUG PIN NO.	FUNCTION	HARNESS ASSEMBLY PART NUMBER
MICRO P4	4	150"	RED	5	SYS #1 SUCTION PRESSURE	575-30433-401
			WHT	10		
			BLK	1		
			DRAIN	2		
MICRO P4	6* (Optional Kit)	200"	RED	7	SYS #1 DISCHARGE PRESSURE	375-30432-403
			WHT	12		
			BLK	8		
			DRAIN	9		
MICRO P6	1	50"	BLK	5	LEAVING CHILLED WATER TEMP	375-30433-405
			RED	8		
			DRAIN	2		
	3	150"	BLK	6	ENTERING CHILLED WATER TEMP	375-30433-407
			RED	9		
			DRAIN	3		
2	204"	BLK	4	OUTSIDE AIR TEMP.	375-30433-406	
		RED	7			
		DRAIN	1			
MICRO P7	5	110"	RED	5	SYS #2 SUCTION PRESSURE	375-30433-402
			WHT	10		
			BLK	1		
			DRAIN	2		
MICRO P7	7* (Optional Kit)	200"	RED	7	SYS #2 DISCHARGE PRESSURE	375-30432-404
			WHT	12		
			BLK	8		
			DRAIN	9		
MICRO P5	115* (407C Only)	162"	RED	12	SYS #1 LIQUID TEMP. SENSOR	371-37966-281
			BLK	7		
			DRAIN	2		
	116* (407C Only)	162"	RED	13	SYS #2 LIQUID TEMP. SENSOR	371-37966-282
			BLK	8		
			DRAIN	3		
	8* (Optional Kit)	N/A	RED	14	SYS #1 SUCTION TEMP. SENSOR	N/A
			BLK	9		
DRAIN			4			
9* (Optional Kit)	N/A	RED	15	SYS #2 SUCTION TEMP. SENSOR	N/A	
		BLK	10			
		DRAIN	5			
EEV OUTPUT BOARD AND TRANSFORMER 4T, 5T	10* (Optional Kit)	N/A	BLK	4T	SYS #1 EEV OUTPUT	N/A
			RED	TB 1-2		
	11* (Optional Kit)	N/A	BLK	5T	SYS #2 EEV OUTPUT	N/A
			RED	TB 2-2		

* Not Shown.

Control & Power Panel

SENSOR HARNESSSES - CONT'D

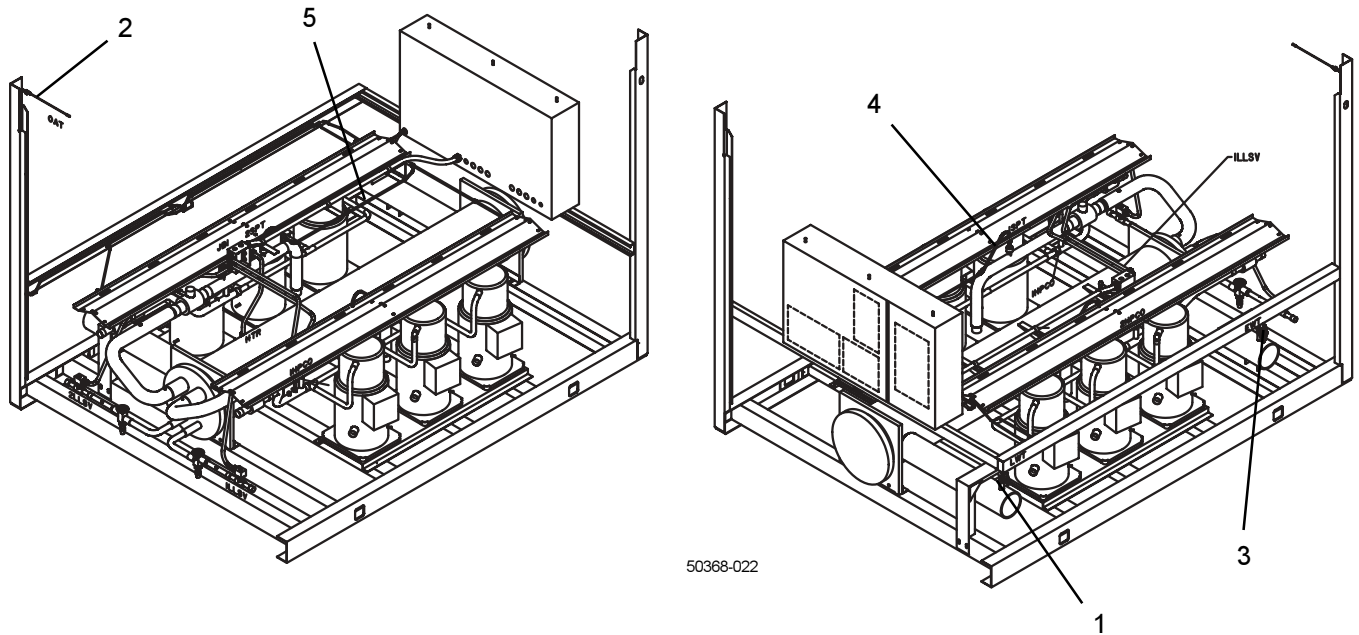


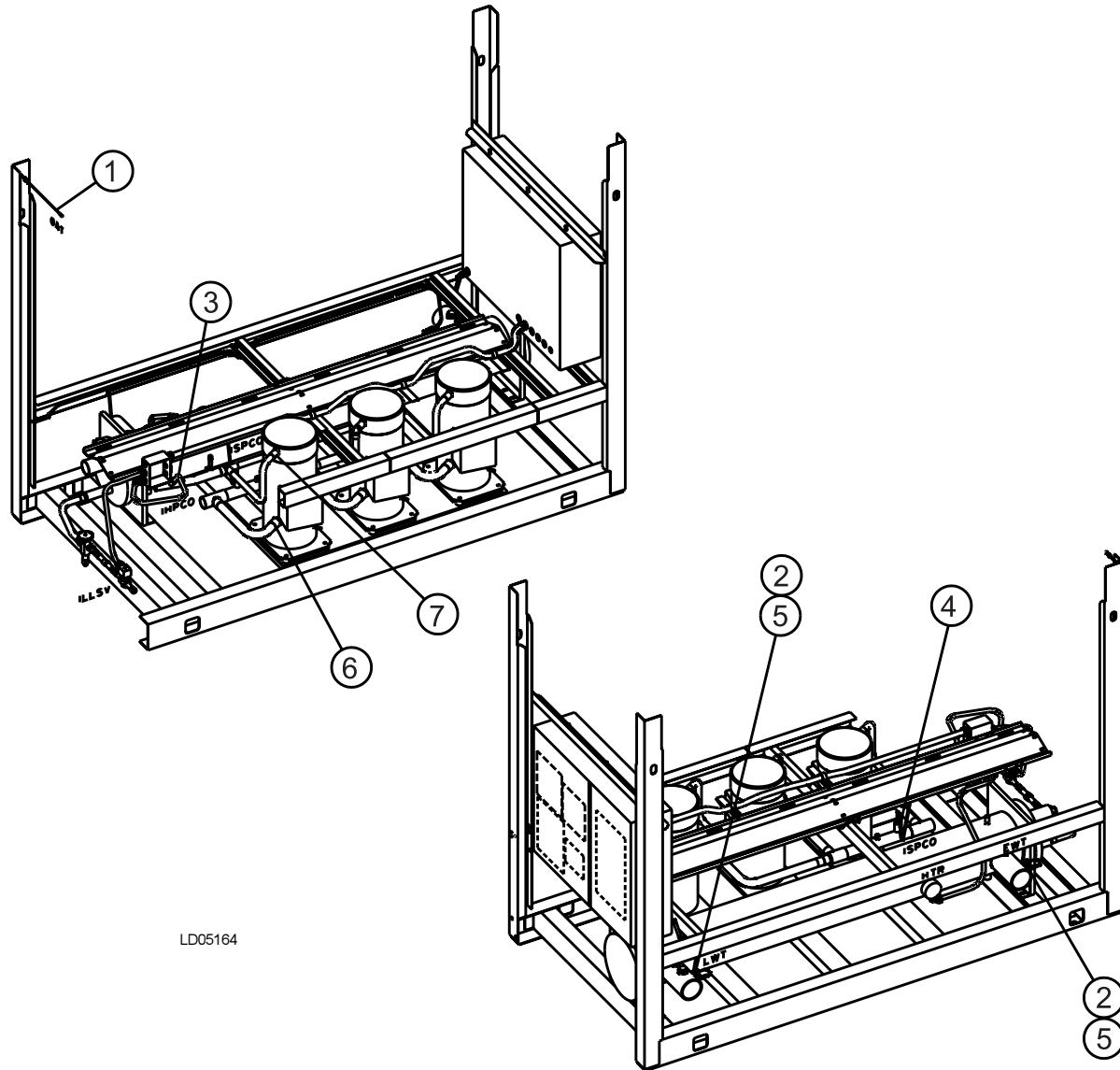
FIG. 12C – SENSOR HARNESS - YCAL0197-YCAL0253 (REF. TABLE 8C)

TABLE 8C – SENSOR HARNESS - YCAL0197-YCAL0253 (SEE FIGS. 12C)

BOARD LOCATION	CABLE ITEM NO.	LENGTH IN INCHES	WIRE COLOR	PLUG PIN NO.	FUNCTION	HARNESS ASSEMBLY PART NUMBER
MICRO P4	4	160"	RED	5	SYS#1 SUCTION PRESSURE	575-30432-401
			WHT	10		
			BLK	1		
			DRAIN	2		
(Optional Kit)	6*	200"	RED	7	SYS#1 DISCHARGE PRESSURE	375-30432-403
			WHT	12		
			BLK	8		
			DRAIN	9		
MICRO P6	1	75"	BLK	5	LEAVING CHILLED WATER TEMP	375-30432-405
			RED	8		
			DRAIN	2		
	3	180"	BLK	6	ENTERING CHILLED WATER TEMP	375-30432-407
			RED	9		
			DRAIN	3		
2	204"	BLK	4	OUTSIDE AIR TEMP.	375-30432-406	
		RED	7			
MICRO P7	5	120"	DRAIN	1	SYS#2 SUCTION PRESSURE	375-30432-402
			RED	5		
			WHT	10		
	7* (Optional Kit)	200"	BLK	1	SYS#2 DISCHARGE PRESSURE	375-30432-404
			DRAIN	2		
			RED	7		
MICRO P5	115* (407C Only)	162"	WHT	12	SYS#1 LIQUID TEMP. SENSOR	371-37966-281
			BLK	7		
			DRAIN	2		
	116* (407C Only)	162"	RED	13	SYS#2 LIQUID TEMP. SENSOR	371-37966-282
			BLK	8		
			DRAIN	3		
	8* (Optional Kit)	N/A	RED	14	SYS#1 SUCTION TEMP. SENSOR	N/A
			BLK	9		
			DRAIN	4		
	9* (Optional Kit)	N/A	RED	15	SYS#2 SUCTION TEMP. SENSOR	N/A
			BLK	10		
			DRAIN	5		
EEV OUTPUT BOARD AND TRANSFORMER 4T, 5T	10* (Optional Kit)	N/A	BLK	4T	SYS#1 EEV OUTPUT	N/A
			RED	TB 1-2		
	11* (Optional Kit)	N/A	BLK	5T	SYS#2 EEV OUTPUT	N/A
			RED	TB 2-2		

* Not Shown.

TRANSDUCERS, PRESSURE CUTOUTS AND TEMP SENSORS



LD05164

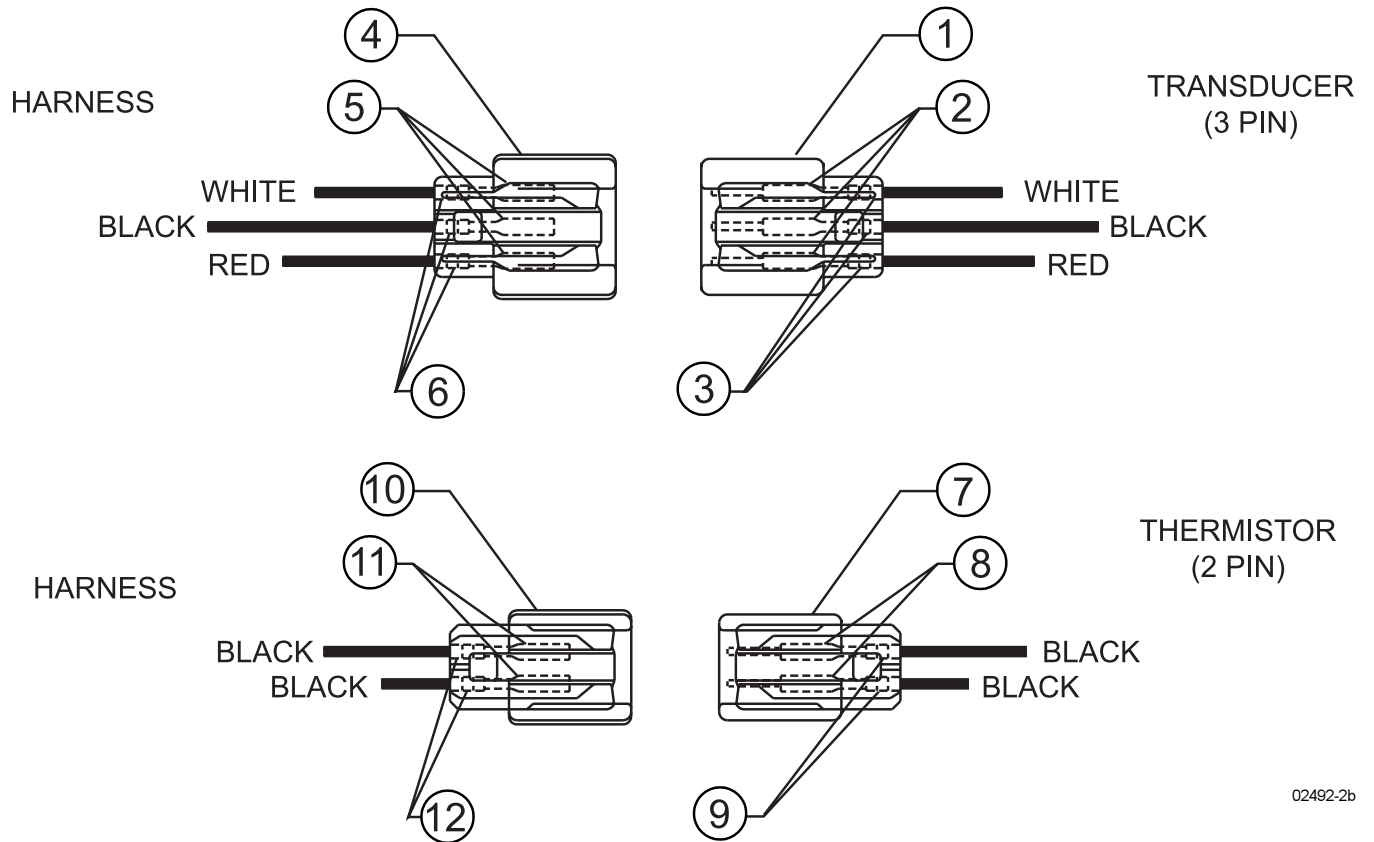
FIG. 13 – TRANSDUCERS, PRESSURE CUTOUTS AND TEMP SENSORS (REF. TABLE 9)

TABLE 9 – TRANSDUCERS, PRESSURE CUTOUTS AND TEMP SENSORS (SEE FIG. 13)

ITEM NUMBER	QUANTITY	SYSTEM	DESCRIPTION	VOLTAGE CODE	PART NUMBER
1 ^s	1	Unit	Sensor, Outside Air Temp.	ALL	025-28663-001
2 ^s	2	1 ea.	Sensor, Water Temp. (EWT, LWT)	ALL	025-29964-000
3 ^s	1 per system	1 and 2	Switch, High Pressure Cutout	ALL	025-28985-002
4 ^s	1 per system	1 and 2	Switch, Low Pressure Cutout	ALL	025-33707-000
5	1	Unit	Compound, Heat Conductive	ALL	013-00898-000
6 ^s	1 per system	Unit	Transducer, Suct. Press. (0-200psi)	ALL	025-29583-000
7 ^s	1 per system	Unit	Transducer, Disch. Press. (0-400psi)	ALL	025-29139-001

^s Recommended Spare Part

TRANSDUCER AND THERMISTOR WIRE HARNESS CONNECTORS - FIELD REPLACEMENT PART NUMBERS



02492-2b

FIG. 14 – TRANSDUCER AND THERMISTOR WIRE HARNESS CONNECTORS - FIELD REPLACEMENT PART NUMBERS (REF. TABLE 10)

TABLE 10 – TRANSDUCER AND THERMISTOR WIRE HARNESS CONNECTORS - FIELD REPLACEMENT PART NUMBERS (SEE FIG. 14)

ITEM NO.	LOCATION	DESCRIPTION	PINS	PART NUMBER
1	Transducer	Plug Connector	3 Pin End	025-28953-000
2		Contact Pins		025-28949-000
3		Rubber Collar		025-28950-000
4	Wire Harness	Plug Connector	3 Pin End	025-28954-000
5		Contact Pins		025-28952-000
6		Rubber Collar		025-28950-000
7	Thermistor	Plug Connector	2 Pin End	025-28948-000
8		Contact Pins		025-28949-000
9		Rubber Collar		025-28950-000
10	Wire Harness	Plug Connector	2 Pin End	025-28951-000
11		Contact Pins		025-28952-000
12		Rubber Collar		025-28950-000

TABLE 11 – FIELD INSTALLED OPTIONS KIT PART NUMBERS

MODEL NUMBER YCAL	VIBRATION ISOLATORS SPRING 1" DEFLEC ALUMINUM* & BLK FIN	VIBRATION ISOLATORS SPRING 2" (SEISMIC) ALUMINUM* & BLK FIN	VIBRATION ISOLATOR PAD 1/2" DEFLEC NEOPRENE	VIBRATION ISOLATORS SPRING 1" DEFLEC COPPER*	VIBRATION ISOLATORS SPRING 2" (SEISMIC) COPPER*	VIBRATION ISOLATOR PAD 1/2"DEFLEC NEOPRENE	HOT GAS BY-PASS SOLENOID VALVE W/ HARNES**	BAS/EMS TEMPERATURE RESET / OFFSET KIT	REMOTE CONTROL PANEL KIT (50HZ)	DISCHARGE PRESSURE TRANSDUCER KIT***	SUCTION PRESSURE TRANSDUCER KIT****
MODEL #	375-50822	375-50823	375-50824	375-50822	375-50823	375-50824	375-	375-30914	371-02485	371-02458	371-02457
0043	-001	-001	-005	-001	-001	-005	51198-200	-000	-107	-001	-001
0057	-001	-001	-005	-001	-001	-005	51198-200	-000	-107	-001	-001
0073	-002	-002	-002	-006	-007	-006	51198-300	-000	-107	-001	-001
0087	-002	-002	-002	-006	-007	-006	51198-100	-000	-107	-001	-001
0107	-003	-003	-002	-007	-008	-006	51198-000	-000	-107	-001	-001
0117	-004	-004	-003	-004	-009	-003	51194-400	-000	-107	-002	-002
0133	-004	-004	-003	-004	-009	-003	51194-200	-000	-107	-002	-002
0147	-004	-004	-003	-004	-010	-003	51194-200	-000	-107	-002	-002
0157	-004	-005	-003	-004	-010	-003	51194-000	-000	-107	-002	-002
0173	-004	-005	-003	-004	-010	-003	51194-000	-000	-107	-002	-002
0197	-005	-006	-004	-005	-006	-004	50980-200	-000	-107	-002	N/A
0217	-005	-006	-004	-005	-011	-004	50980-200	-000	-107	-002	N/A
0237	-005	-006	-004	-008	-011	-004	50980-100	-000	-107	-002	N/A
0253	-005	-006	-004	-008	-011	-004	50980-000	-000	-107	-002	N/A

* Note: Condenser Coil Fin Material.

** Note: Hot Gas By-Pass Solenoid Valve Only: 025-34133-000

*** Note: Discharge Pressure Transducer Only: 025-29139-001

**** Note: Suction Pressure Transducer Only: 025-29583-000

YCAL CHILLER OPTIONS – KITS

TABLE 11 (CONT'D) – FIELD INSTALLED OPTIONS TABLE

MODEL NUMBER YCAL	MISC. PARTS KIT	MOTOR CURRENT MODULE KIT	OVERLOAD KIT	LOW AMBIENT KIT	HIGH AMBIENT KIT	WELD FLANGE KIT	VICTAULIC FLANGE KIT	CHICAGO RELIEF VALVE	FLOW SWITCH	DIFFERENTIAL PRESSURE
MODEL #	375-	371-02764	075-33482	375-51213	375-		023-	022-	024-26116	025-30919
0043	28583-103	-000	-004	-102*	28556-000	375-30969	19047-000	08863-000	-000	-000
0057	28583-103	-000	-008	-102*	28556-000	375-30969	19047-000	08863-000	-000	-000
0073	28583-101	-000	N/A	-102*	28553-000	375-30969	19047-000	08863-000	-000	-000
0087	28583-102	-000	N/A	-102*	28553-000	375-30969	19047-000	08863-000	-000	-000
0107	28583-102	-000	N/A	-102*	28553-000	366-93920	19048-000	08863-000	-000	-000
0117	31889-101	-001	N/A	-104*	31802-000	366-93920	19048-000	08863-000	-000	-000
0133	31889-111	-001	N/A	-104*	31802-000	366-93920	19048-000	08863-000	-000	-000
0147	31889-102	-001	N/A	-104*	31802-000	366-93920	19048-000	08863-000	-000	-000
0157	31889-103	-001	N/A	-104*	31802-000	366-93920	19048-000	08863-000	-000	-000
0173	31889-109	-001	N/A	-104*	31802-000	366-93920	19048-000	08863-000	-000	-000
0197	28576-101	-001	N/A	-104*	28549-000	366-93920	19048-000	08863-000	-000	-000
0217	28576-101	-001	N/A	-104*	28549-000	366-93921	19049-000	10071-000	-000	-000
0237	28576-102	-001	N/A	-104*	28549-000	366-93921	19049-000	10071-000	-000	-000
0253	28576-102	-001	N/A	-104*	28549-000	366-93921	19049-000	10071-000	-000	-000

* Note: Discharge Pressure Transducer & Readout Kit is required to complete Low Ambient Kits.

TABLE 11A – CONTROL TRANSFORMER KIT

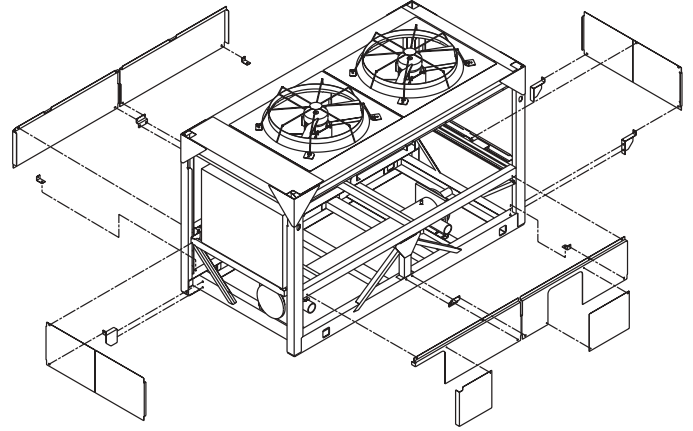
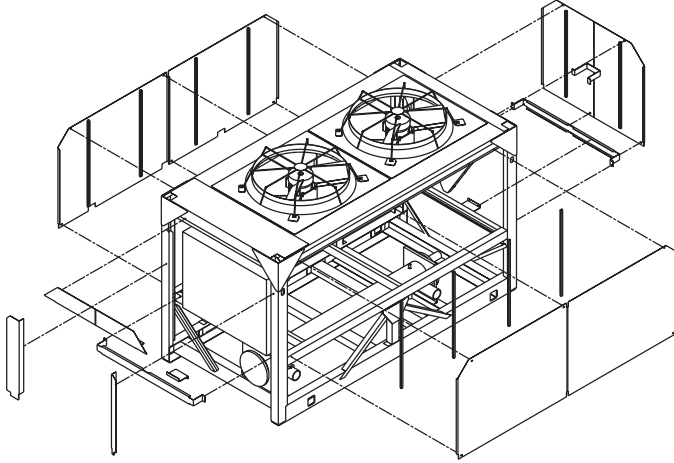
MODEL NUMBERS	VOLTAGE	DESCRIPTION	PART NUMBER
YCAL0043-YCAL0253	-50	KIT, CONTROL TRANSFORMER	375-30909-107

ENCLOSURE KIT OPTIONS

TABLE 12 – ENCLOSURE KIT OPTIONS (Top and Bottom Sections)

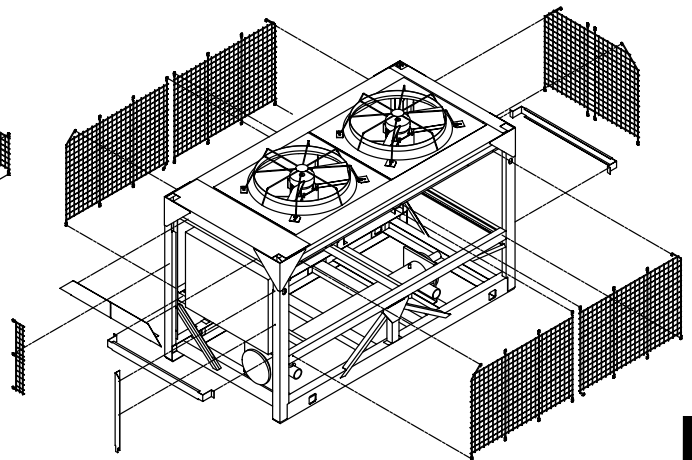
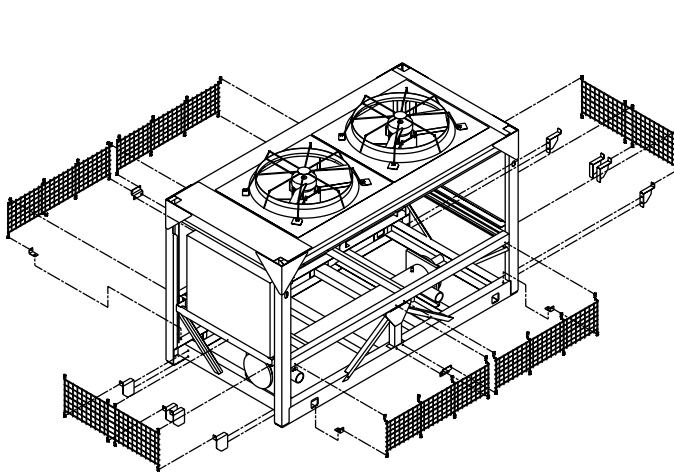
MODEL NUMBER YCAL-	WIRE ENCLOSURE	LOUVERED ENCLOSURE	WIRE / LOUVERED ENCLOSURE	LOUVERED ENCLOSURE CONDENSER ONLY (TOP)
0043 (Top)	475-31869-000	475-31867-000	475-31867-000	475-31867-000
0043 (Bottom)	475-31870-000	475-31868-000	475-31870-000	N/A
0057 (Top)	475-31869-000	475-31867-000	475-31867-000	475-31867-000
0057 (Bottom)	475-31870-000	475-31868-000	475-31870-000	N/A
0073 (Top)	475-31834-000	475-31832-000	475-31832-000	475-31832-000
0073 (Bottom)	475-31835-000	475-31833-000	475-31835-000	N/A
0087 (Top)	475-31834-000	475-31832-000	475-31832-000	475-31832-000
0087 (Bottom)	475-31835-000	475-31833-000	475-31835-000	N/A
0107 (Top)	475-31834-000	475-31832-000	475-31832-000	475-31832-000
0107 (Bottom)	475-31835-000	475-31833-000	475-31835-000	N/A
0117 (Top)	475-31297-000	475-30996-000	475-30996-000	475-30996-000
0117 (Bottom)	475-31298-000	475-31299-000	475-31298-000	N/A
0133 (Top)	475-31297-000	475-30996-000	475-30996-000	475-30996-000
0133 (Bottom)	475-31298-000	475-31299-000	475-31298-000	N/A
0147 (Top)	475-31297-000	475-30996-000	475-30996-000	475-30996-000
0147 (Bottom)	475-31298-000	475-31299-000	475-31298-000	N/A
0157 (Top)	475-31297-000	475-30996-000	475-30996-000	475-30996-000
0157 (Bottom)	475-31298-000	475-31299-000	475-31298-000	N/A
0173 (Top)	475-31297-000	475-30996-000	475-30996-000	475-30996-000
0173 (Bottom)	475-31298-000	475-31299-000	475-31298-000	N/A
0197 (Top)	475-31808-000	475-31806-000	475-31806-000	475-31806-000
0197 (Bottom)	475-31809-000	475-31807-000	475-31809-000	N/A
0217 (Top)	475-31808-000	475-31806-000	475-31806-000	475-31806-000
0217 (Bottom)	475-31809-000	475-31807-000	475-31809-000	N/A
0237 (Top)	475-31808-000	475-31806-000	475-31806-000	475-31806-000
0237 (Bottom)	475-31809-000	475-31807-000	475-31809-000	N/A
0080 (Top)	475-31808-000	475-31806-000	475-31806-000	475-31806-000
0253 (Bottom)	475-31809-000	475-31807-000	475-31809-000	N/A

ENCLOSURE KIT OPTIONS (CONT'D)



31867-01

Louvered Enclosure Kits

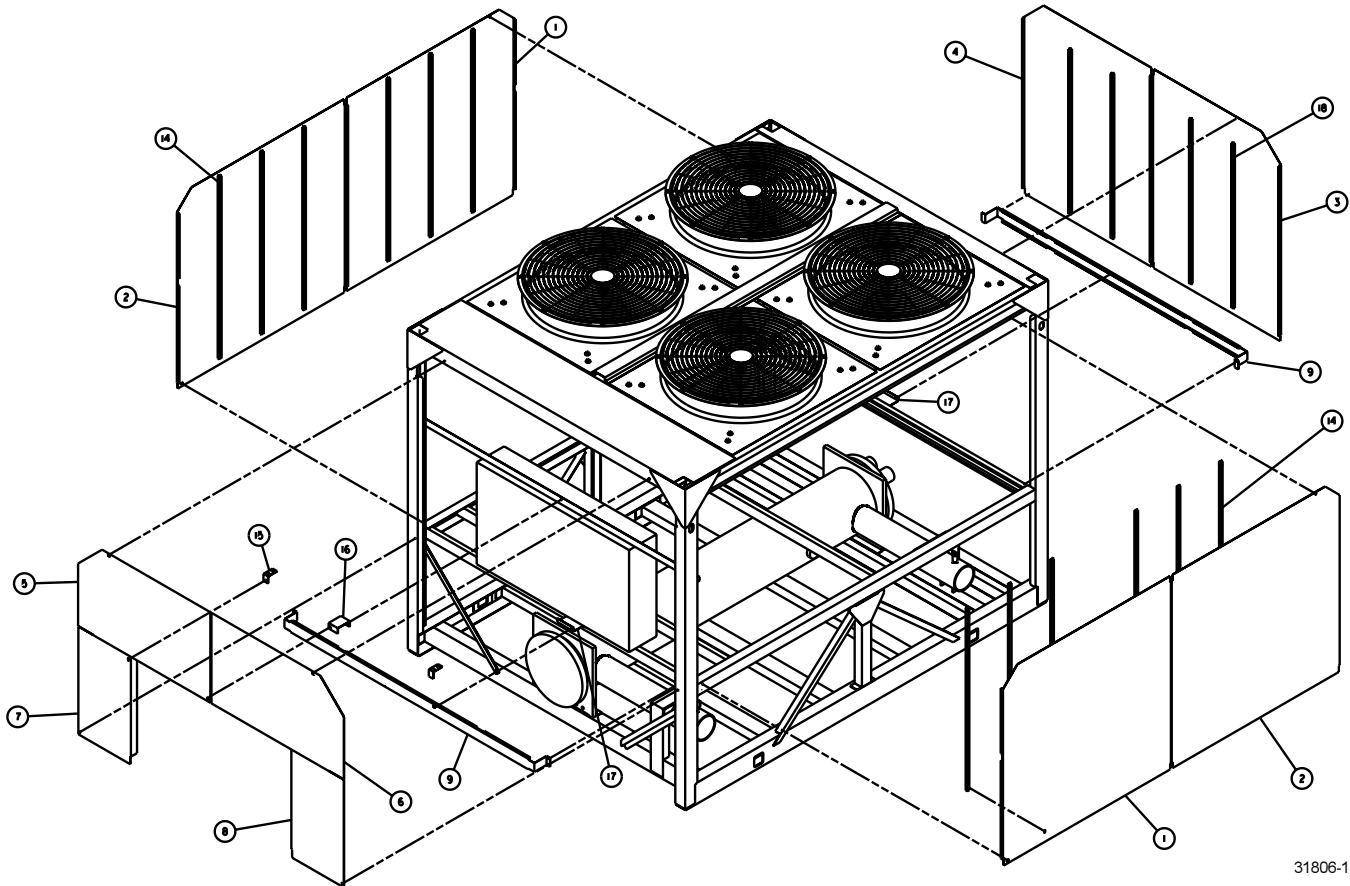


31870-01

Wire Enclosure Kits

FIG. 15 – TYPICAL ENCLOSURE KITS (WIRE AND LOUVERED)

ENCLOSURE KIT OPTIONS (CONT'D)



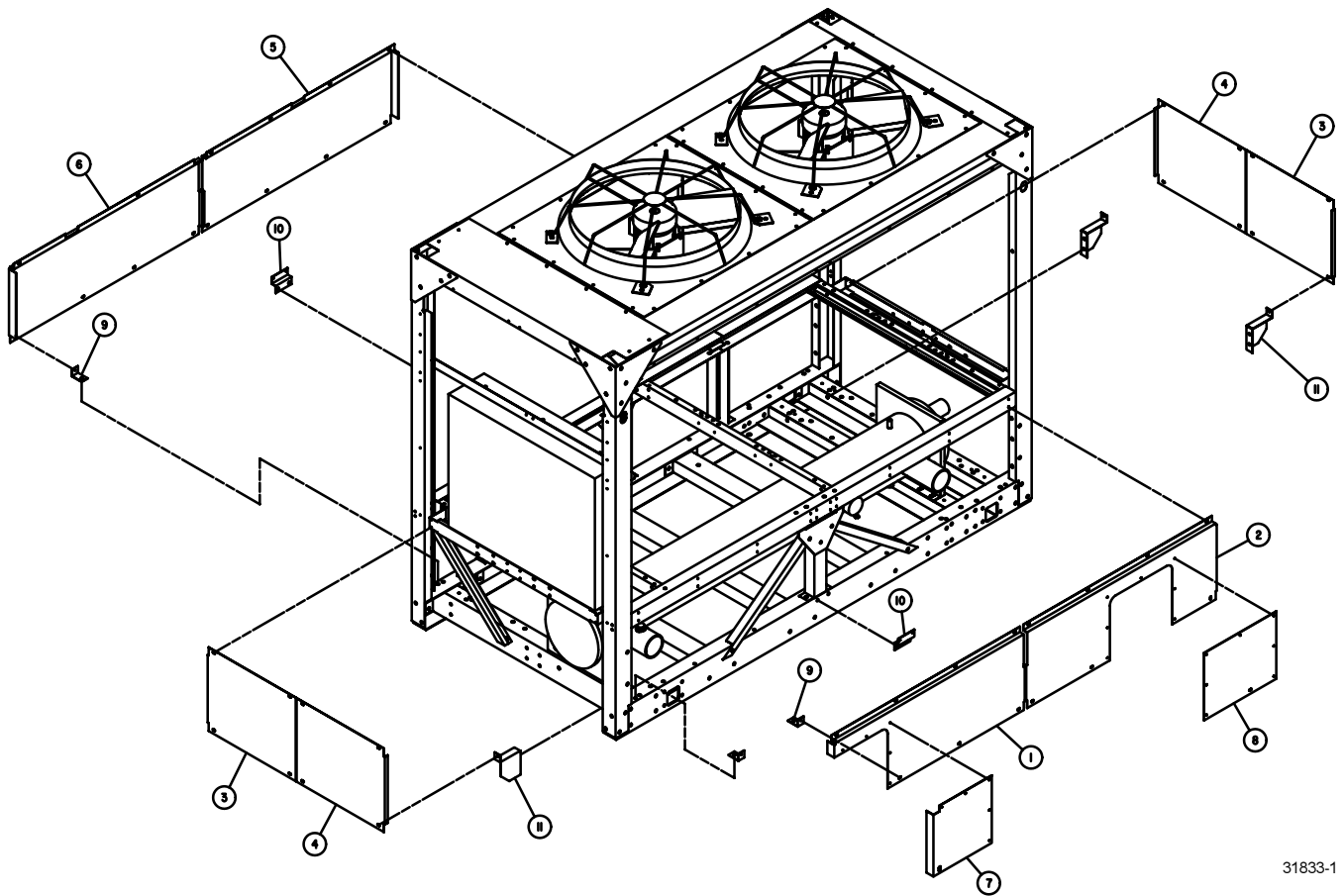
31806-1

FIG. 16 – LOUVERED ENCLOSURE (TOP SECTIONS) - YCAL0197, 0217, 0237 & YCAL0253 SHOWN

TABLE 13 – LOUVERED ENCLOSURE (Top Sections)

LOUVERED ENCLOSURE (TOP SECTIONS)		YCAL0043 & 0057		YCAL0073, 0087 & 0107		YCAL0117, 0133, 0147, 0147, 0157 & 0173		YCAL0197, 0217, 0237 & 0253	
ITEM #	DESCRIPTION	475-31867	QTY	475-31832	QTY	475-30996	QTY	475-31806	QTY
1	PANEL, LOUVERED SIDE	075-31875	1	075-31840	1	075-30682	2	075-31811	2
2	PANEL, LOUVERED SIDE	075-31874	1	075-31839	1	075-30681	2	075-31810	2
3	PANEL, LOUVERED REAR	075-31876	1	075-31842	1	075-31283	1	075-31816	1
4	PANEL, LOUVERED REAR	075-31877	1	075-31843	1	075-31717	1	075-31817	1
5	BRACKET	075-31844	2	075-31844	2	075-31284	2	075-31818	2
6	PANEL, LOUVERED SIDE	075-31878	1	075-31854	1	N/A		N/A	
7	PANEL, LOUVERED SIDE	075-31879	1	075-31855	1	N/A		N/A	
8	PANEL, LOUVERED	075-31880	1	075-31852	1	075-31295	1	075-31812	1
9	PANEL, LOUVERED	075-31881	1	075-31853	1	075-31296	1	075-31813	1
10	PANEL, LOUVERED FRONT	075-28557	1	075-31845	1	075-31803	1	075-31814	1
11	PANEL, LOUVERED FRONT	075-28558	1	075-31846	1	075-31286	1	075-31815	1
12	SUPPORT	075-37936	2	075-37936	2	075-37936	2	075-37936	2
13	SUPPORT	075-37945	1	075-37945	1	N/A		N/A	
14	CLIP	N/A		N/A		075-37938	2	075-37938	2
15	BRACKET	N/A		075-37937	1	075-37937	1	075-37937	1
16	CHANNEL	075-37947	10	075-37946	10	075-37943	12	075-37939	12
17	CHANNEL	N/A		N/A		075-37944	4	075-37940	4

ENCLOSURE KIT OPTIONS (CONT'D)



31833-1

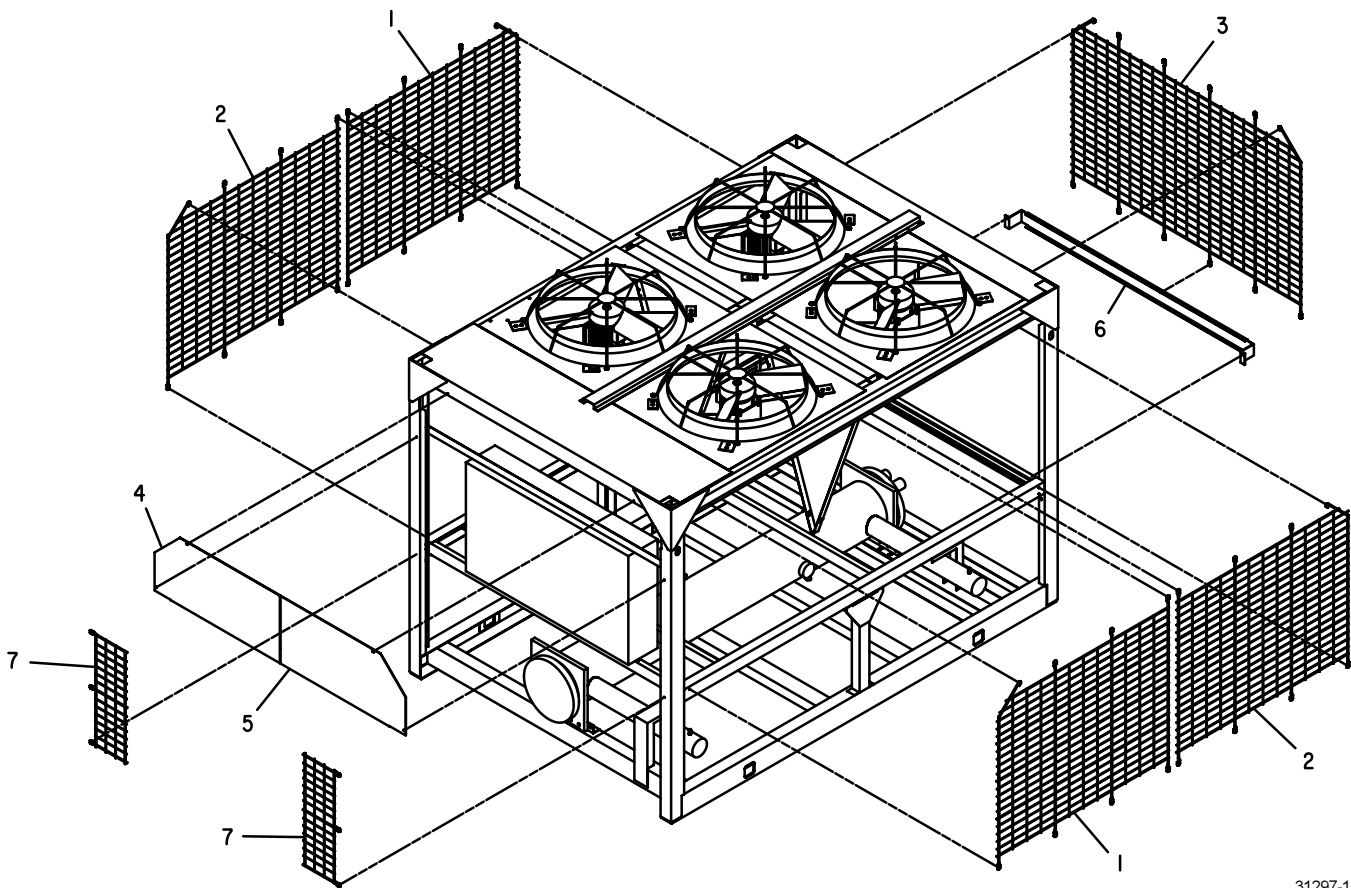
FIG. 17 – LOUVERED ENCLOSURE (BOTTOM SECTIONS) - YCAL0073, 0087 & YCAL0107

TABLE 14 – LOUVERED ENCLOSURE (Bottom Sections)

LOUVERED ENCLOSURE (BOTTOM SECTION)	ITEM #	DESCRIPTION	YCAL0043 & 0057		YCAL0073, 0087 & 0107		YCAL0117, 0133, 0147, 0147, 0157 & 0173		YCAL0197, 0217, 0237 & 0253	
			475-31868	QTY	475-31833	QTY	475-31299	QTY	475-31807	QTY
	1	PANEL, LOUVERED SIDE	075-31882	1	075-31856	1	075-31287	1	075-31821	1
	2	PANEL, LOUVERED SIDE	075-31883	1	075-31857	1	075-31290	1	075-31822	1
	3	PANEL, LOUVERED FRONT	075-31884	2	075-31860	2	075-31293	2	075-31820	2
	4	PANEL, LOUVERED FRONT	075-31885	2	075-31861	2	075-31718	2	075-31819	2
	5	PANEL, LOUVERED SIDE	075-31886	1	075-31859	1	075-31292	1	075-31292	1
	6	PANEL, LOUVERED SIDE	075-31887	1	075-31858	1	075-31291	1	075-31291	1
	7	PANEL, LOUVERED	075-31723	1	075-31723	1	075-31719	1	075-31722	1
	8	PANEL, LOUVERED	075-31725	1	075-31724	1	075-31720	1	075-31721	1
	9	CLIP	075-31285	12	075-31285	12	075-31285	12	075-31285	12
	10	BRACKET	075-31294	8	075-31294	8	075-31294	10	075-31294	10
	11	BRACKET	075-31711	2	075-31711	2	075-31711	2	075-31711	2

Chiller Options

ENCLOSURE KIT OPTIONS (CONT'D)



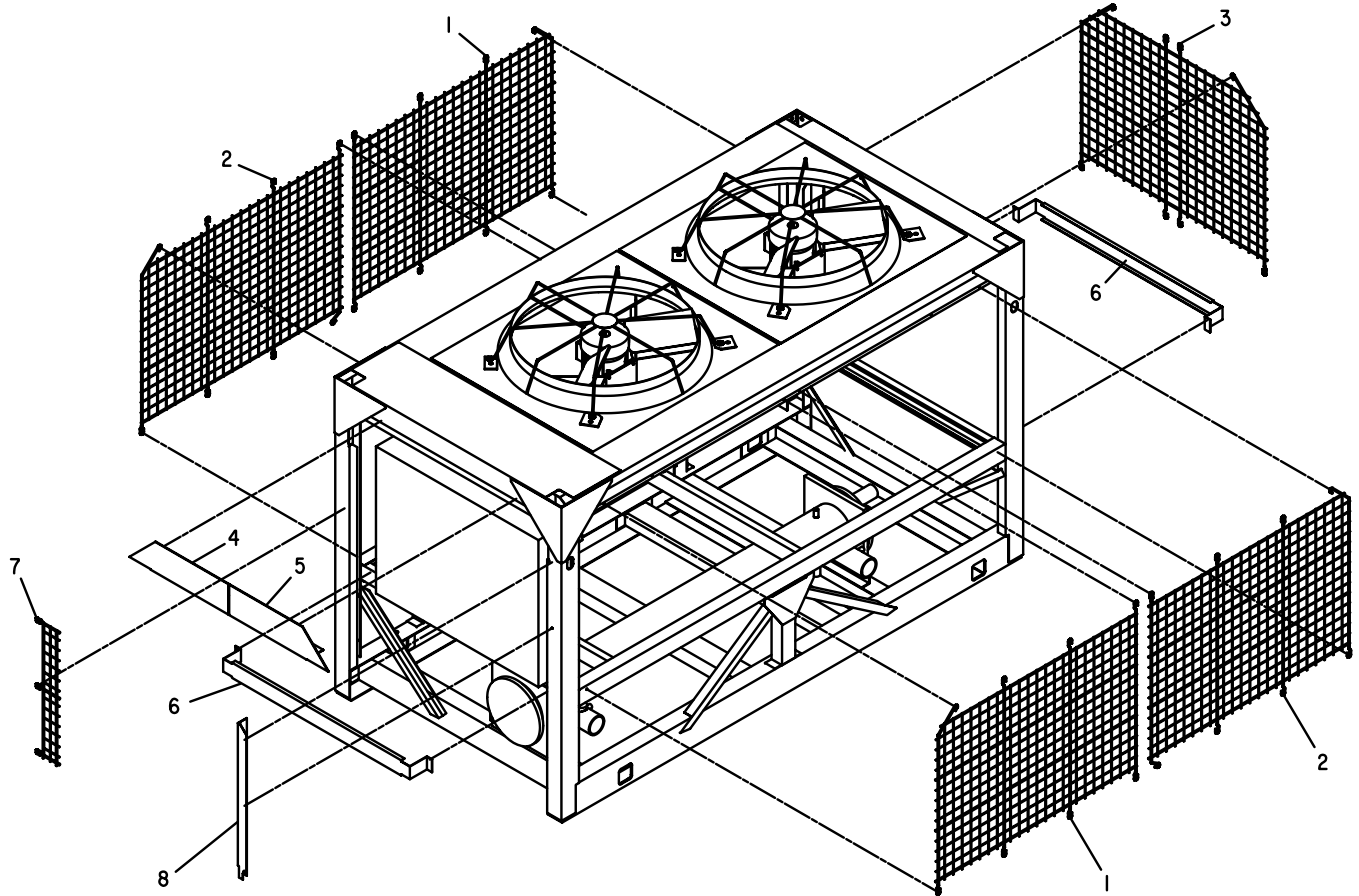
31297-1

FIG. 18 – WIRE ENCLOSURE (TOP SECTIONS) - YCAL0117, 0133, 0147, 0157 & YCAL0173 SHOWN

TABLE 15 – WIRE ENCLOSURE (Top Sections)

WIRE ENCLOSURE (TOP SECTIONS)		YCAL0043 & 0057		YCAL0073, 0087 & 0107		YCAL0117, 0133, 0147, 0147, 0157 & 0173		YCAL0197, 0217, 0237 & 0253	
ITEM #	DESCRIPTION	475-31869	QTY	475-31834	QTY	475-31297	QTY	475-31808	QTY
1	GRILLE	026-36573	2	026-36562	2	026-36547	2	026-36556	2
2	GRILLE	026-31883	2	026-36563	2	026-36551	2	026-36557	2
3	GRILLE	026-31884	1	026-36564	1	026-36549	1	026-36558	1
4	GRILLE, FRONT	N/A		026-36595	1	N/A		026-36594	1
	PANEL, FRONT	075-28557	1	N/A		075-31803	1	N/A	
5	PANEL, FRONT	075-28558	1	N/A		075-31286	1	N/A	
6	BRACKET	075-31844	2	075-31844	2	075-31284	1	075-31818	2
7	GRILLE	026-36578	1	026-36565	1	026-36555	2	026-36559	2
8	PANEL, LOUVERED	075-31881	1	075-31853	1	N/A		N/A	

ENCLOSURE KIT OPTIONS (CONT'D)



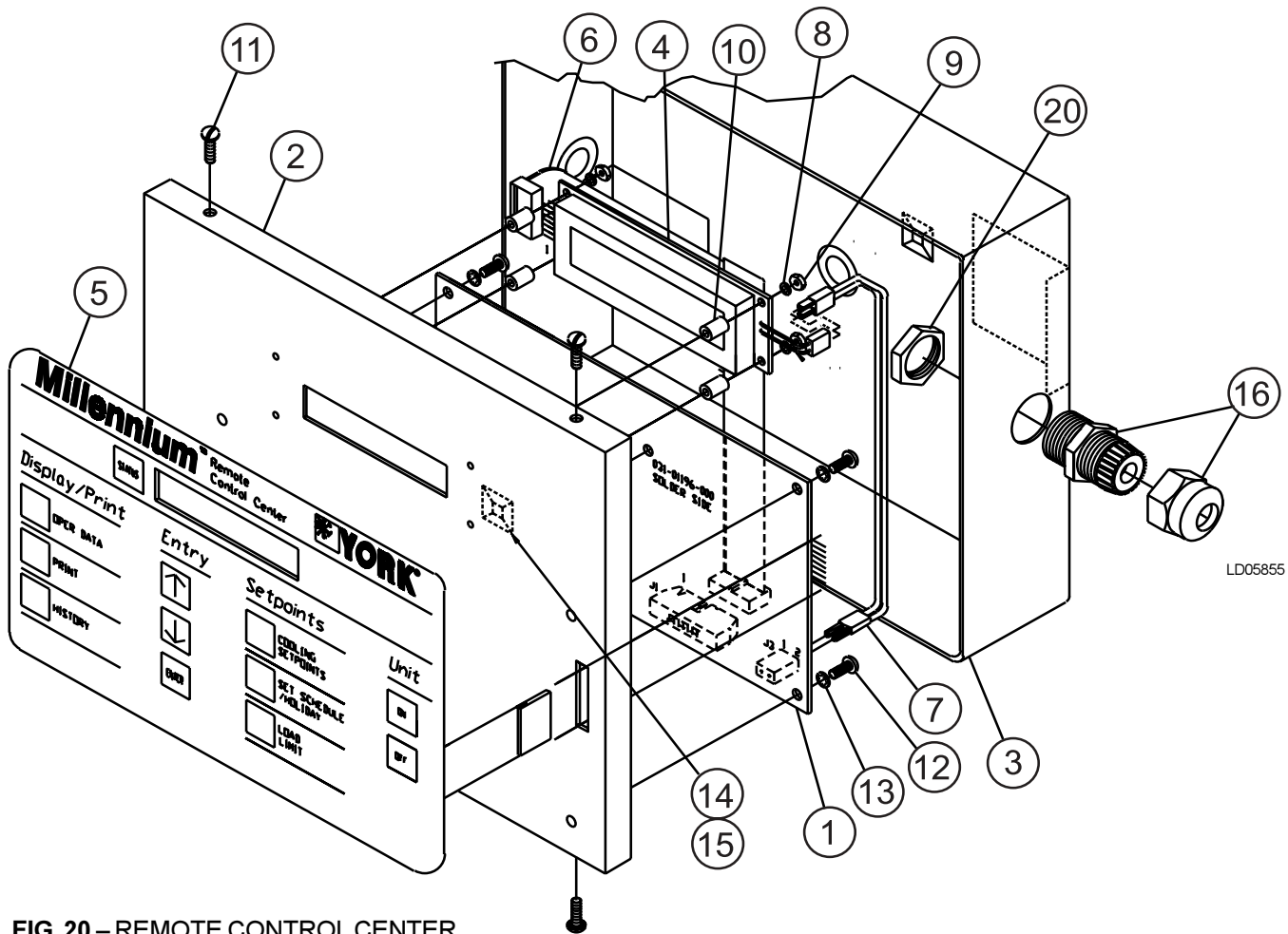
31869-1

FIG. 19 – WIRE ENCLOSURE (BOTTOM SECTIONS) - YCAL0043 & YCAL0057 SHOWN

TABLE 16 – WIRE ENCLOSURE (Bottom Sections)

WIRE ENCLOSURE (BOTTOM SECTION)		YCAL0043 & 0057		YCAL0073, 0087 & 0107		YCAL0117, 0133, 0147, 0147, 0157 & 0173		YCAL0197, 0217, 0237 & 0253	
		475-31870	QTY	475-31835	QTY	475-31298	QTY	475-31809	QTY
1	GRILLE	026-36576	3	026-36566	3	026-36548	4	026-36548	4
2	GRILLE	026-36577	2	026-36567	2	026-36550	2	026-36560	2
3	CLIP	075-31285	12	075-31285	12	075-31285	12	075-31285	12
4	BRACKET	075-31711	2	075-31711	2	075-31711	2	075-31711	2
5	BRACKET	075-31294	8	075-31294	8	075-31294	10	075-31294	16
6	BRACKET	N/A		N/A		075-31284	1	N/A	
11	GRILLE	026-36779	1	026-36780	1	N/A		N/A	

REMOTE CONTROL CENTER



LD05855

FIG. 20 – REMOTE CONTROL CENTER

TABLE 17 – REMOTE CONTROL CENTER PARTS

371-02485-104 (50 HZ)			
REF. NUMBER	QUANTITY	DESCRIPTION	PART NUMBER
1	1	CONTROL, MICROBOARD	031-01196-000
2	1	COVER, REMOTE CONTROL	371-02485-311
3	1	BASE, REMOTE CONTROL	071-02485-320
4	1	DISPLAY, LCD	031-01110-000
5	1	SWITCH, KEYPAD	024-30930-000
6	1	RIBBON CABLE	071-01289-211
7	1	WIRE CABLE	071-01289-212
10	4	SPACER, NYLON 1/4 OD X 7/16 LG.	021-17575-000
11	1	TRANSFORMER	025-29917-002
14	3	CABLE TIE MOUNT	025-25155-000
15	1	EPROM	031-02016-003
16	1	CABLE FITTING	025-05701-000
17	2	INSULATOR, RECIPAK, ROOFTOP	071-01730-000
18	2	MODULE, LAN TRANSIENT PROTECTION (LTP)	031-01586-000
19	1	INSTALLATION INSTRUCTIONS	071-01289-002
20	1	NUT, LOCKING, HEYCO-3232	025-31732-000
21	1	OPERATOR'S MANUAL	150.62-NM1

OPTIVIEW REMOTE CONTROL CENTER

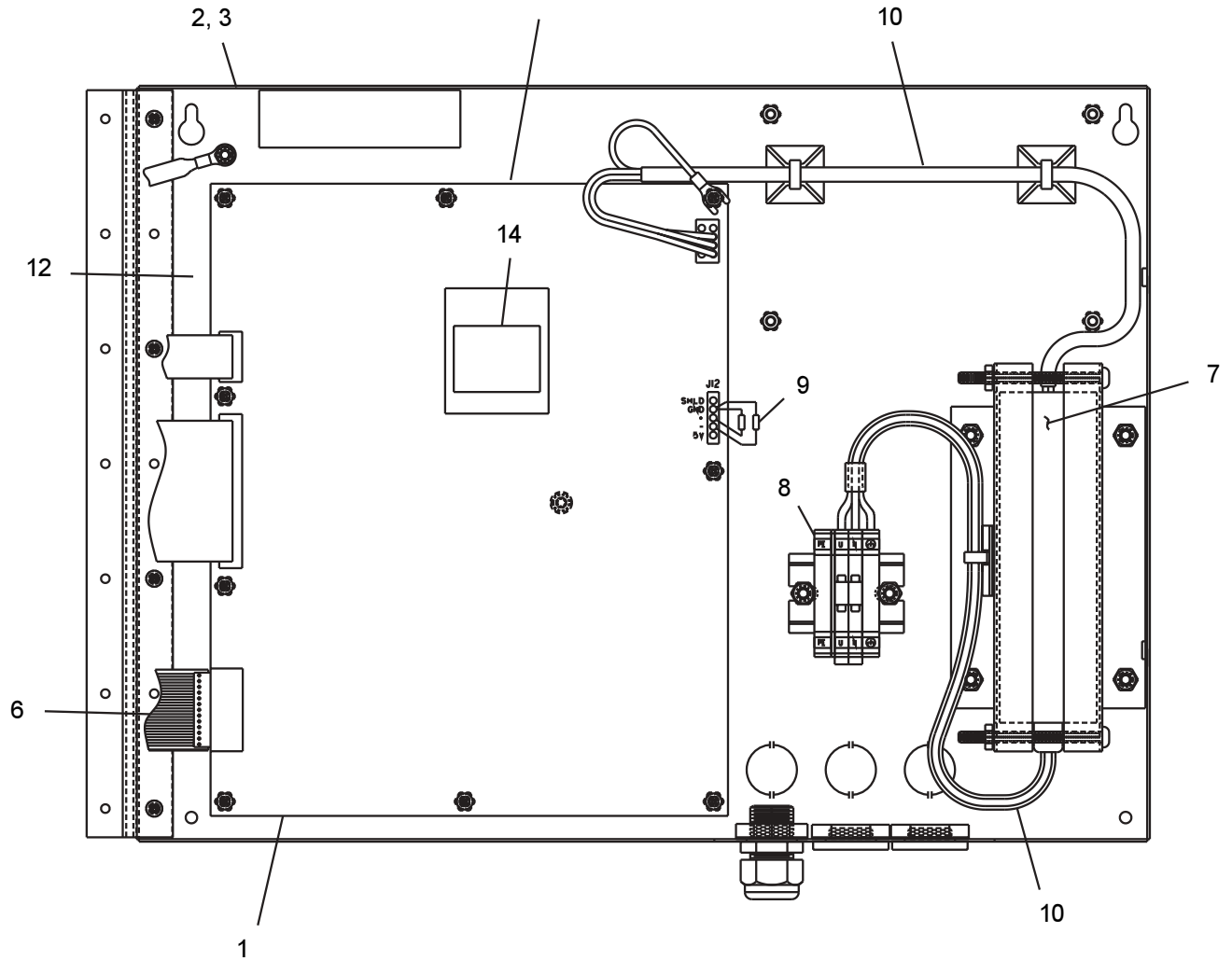


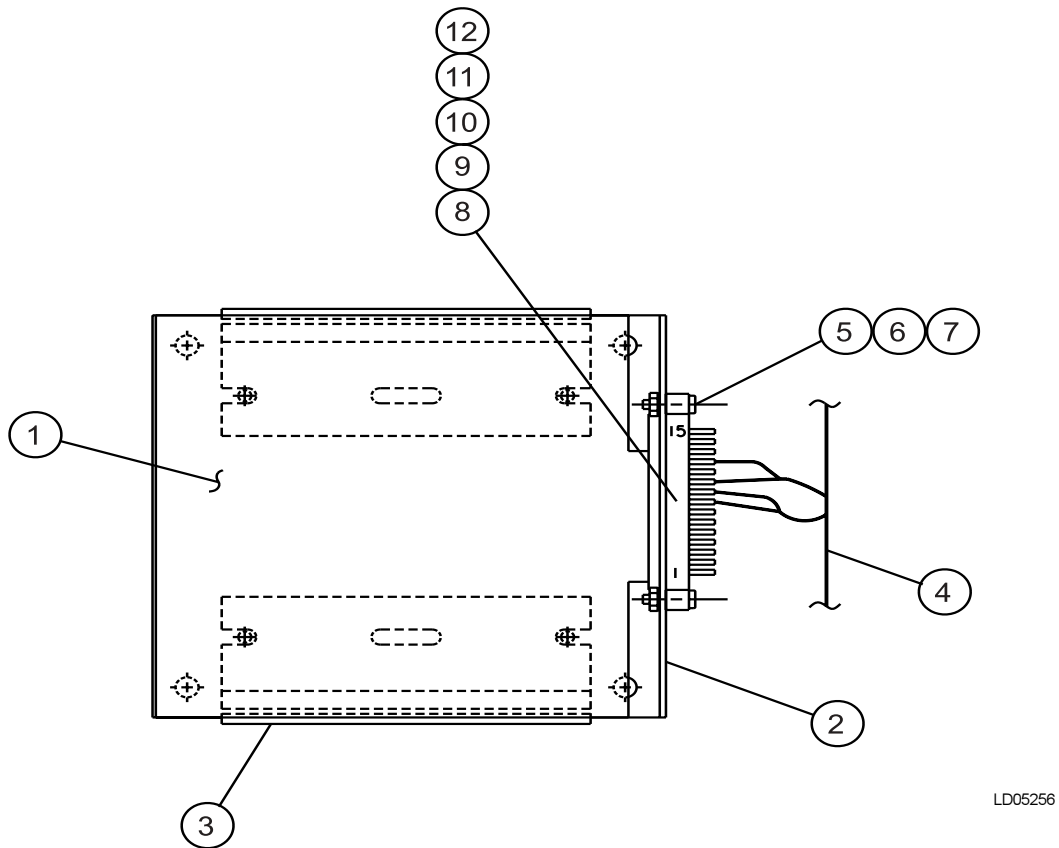
FIG. 21 – OPTIVIEW REMOTE CONTROL PANEL

02750-3a

TABLE 18 – OPTIVIEW REMOTE CONTROL PANEL PARTS

371-02750-101 (50 HZ)			
REF. NUMBER	QUANTITY	DESCRIPTION	PART NUMBER
1	1	CONTROL, MICROBOARD	031-01730-002
2	1	COVER, REMOTE CONTROL	371-02750-311
3	1	BASE, REMOTE CONTROL	071-02485-320
4	1	DISPLAY, KIT (NOT SHOWN)	331-02053-000
5	1	SWITCH, KEYPAD (NOT SHOWN)	024-30974-001
6	1	RIBBON CABLE	031-02056-000
7	1	POWER SUPPLY	371-02750-411
8	1	TERMINAL BLOCK	025-35120-000
9	1	SUPPRESSOR	031-02076-000
10	1	CABLE ASSEMBLY	571-02750-421
11	8	MODULE, LAN TRANSIENT PROTECTION (LTP)	031-01586-000
12	1	WIRING DIAGRAM	035-17188-000
13	1	OPERATOR'S MANUAL (NOT SHOWN)	201.24-NM1
14	1	FLASH MINI-CARD	031-02057-001

REMOTE CURRENT/TEMPERATURE RESET PARTS BREAKDOWN



LD05256

FIG. 22 – REMOTE CURRENT/TEMPERATURE RESET COMPONENTS

TABLE 19 – REMOTE CURRENT/TEMPERATURE RESET KIT NUMBER 375-90914-000

REF. NUMBER	QUANTITY	DESCRIPTION	PART NUMBER
1	1	CONTROL, REMOTE CURRENT/TEMP	031-00814-000
2	1	BRACKET, REMOTE CURRENT/TEMP RESET	371-01232-361
3	1	TRACK, SNAP	071-01232-363
4	1	WIRING, REMOTE CURRENT/TEMP RESET	571-02492-231*
5	2	SCREW, MACHINE PAN HEAD #4	021-17594-000
6	2	NUT, HEX MACH SCREW #4 – 40 UNC-2B	021-10056-000
7	2	LOCKWASHER, HEL. SPG. #4 REG.	021-17576-000

* refer to Table 19A

TABLE 19A – REMOTE RESET WIRING

REF. NUMBER	QUANTITY	DESCRIPTION	PART NUMBER
8	2	CONT SOC AWG WIRE SIZE 20	025-19674-000
9	2	TERMINAL PUSH ON STRAIGHT	025-06642-000
10	4	TUBING HEAT SHRINKABLE 1/8 ID	025-29632-000
11	1	HGS CONNECTOR ELECTRICAL PLUG	025-32564-000*
12	1	CONNECTOR EDGE, 15 POSITION, 0.125	025-29631-000

RECOMMENDED SPARE PARTS
York Model YCAL Style C Air Cooled Liquid Chillers
Suggested Spare Parts List for Critical Duty Applications

TABLE 20 – RECOMMENDED SPARE PARTS - YCAL CHILLERS (50 Hz)

PAGE REF. & ITEM NUMBER	DESCRIPTION	MODEL NUMBER YCAL	PART NUMBER
Page 10, Item 1	Fan Motor (Standard)	-50	024-30900-001
Page 10, Item 1	Fan Motor (Low Noise)	-50	024-30933-001
Page 10, Item 2	Fan Blade (Standard 0043-0173)	All	026-35607-000
			026-36579-000
Page 10, Item 2	Fan Blade (Low Noise 0197-0253)	All	026-37577-000
			026-37579-000
Page 14 & 15, Item 1	Valve, Thermal Expansion (Cooler)	See Table 5	025-34156-000
			025-27535-000
			025-27536-000
			025-20213-000
			025-32904-000
Page 14 & 15, Item 3	Core, Dehydrator	All	026-18328-000
Page 14 & 15, Item 4	Valve, Solenoid, Liquid Line	See Table 5	025-34585-000
			025-33705-000
Page 19, Item Oil	Oil, Compressor (TYPE 'F')	R-22	011-00434-000
	Oil, Compressor (TYPE 'T')	R-407C	011-00937-000
Page 27-38, Item 5B	Contact, Fan	-50	024-34302-000
Page 27-38, Item 5F	Overload, Fan	-50	024-33169-000
Page 27-38, Item 8A	Micro Board	All	031-02050-001
Page 27-38, Item 8B	EPROM	All	031-02049-001
Page 42, Item 1	Sensor, Outside Air Temp.	All	025-28663-001
Page 42, Item 2	Sensor, Water Temp.	All	025-29964-000
Page 42, Item 3	High Pressure Cutout Switch	All	025-28985-002
Page 42, Item 4	Low Pressure Cutout Switch	0043-0173	025-33707-000
Page 42, Item 6	Transducer, Suction Pressure	All	025-29139-001
Page 42, Item 7	Transducer, Discharge Pressure	All	025-29583-000

All parts should be purchased from your
local YORK Sales and Service Center.



P.O. Box 1592, York, Pennsylvania USA 17405-1592
Copyright © by York International Corporation 2002

Tele. 800-861-1001
www.york.com

Subject to change without notice. Printed in USA
ALL RIGHTS RESERVED

Form 150.62-RP3 (603)
New Release