

Type SERI

Electronic Expansion Valve



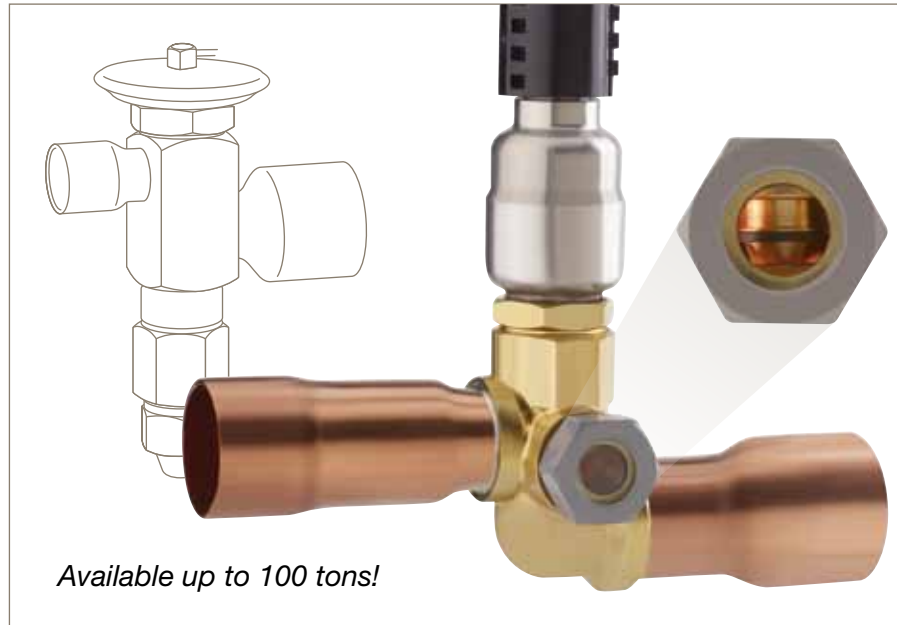
Product Benefits:

- Reliability
- Ease of Use
- Flexibility
- Proven Performance
- Technical Support

Manufactured with corrosion and UV resistant materials, the SERI electronic expansion valve series has been designed to withstand the refrigeration and A/C industry's harsh environmental conditions. This line of valves can handle severe environments seen on rooftop chillers, commercial heat pumps and compact chillers found on the primary side of secondary systems. The SERI series, with a high resolution actuator, provides unsurpassed reliability and has undergone rigorous endurance testing, including HALT temperature and vibration stress tests, with over 1 million documented overdrive cycles.

The built-in sight glass provides a quick "visual check" of the system during operation. This benefit allows the service technician or contractor to review system moisture content, liquid quality and valve position. The removable drive mechanism allows for serviceability and a detachable cable is provided to fit OEM or aftermarket installations.

A straight through configuration is now standard for quick drop in valve replacement for retrofits or upgrades from traditional mechanical TEVs. The compact design is perfect for space



constraints and is available up to 100 ton capacity. The SERI is also bi-sealing for heat-pump applications. Installers have the option of selecting a valve configuration optimized for braze plate heat exchangers as well.

The SERI valve series is built on Sporlan's foundation of more than 75 years experience in refrigerant flow control design, and over 20 years in electronic superheat control. With knowledgeable technical support personnel always available, Sporlan can recommend the proper electronic superheat control package for your application.

Together we can take the guess work out of superheat control. After all, superheat control can be made simple.

Contact Information:

Parker Hannifin Corporation
Sporlan Division
206 Lange Drive
Washington, MO 63090

phone 636 239 1111
fax 636 239 9130
svdeev@parker.com

www.sporlanonline.com






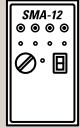


ENGINEERING YOUR SUCCESS.

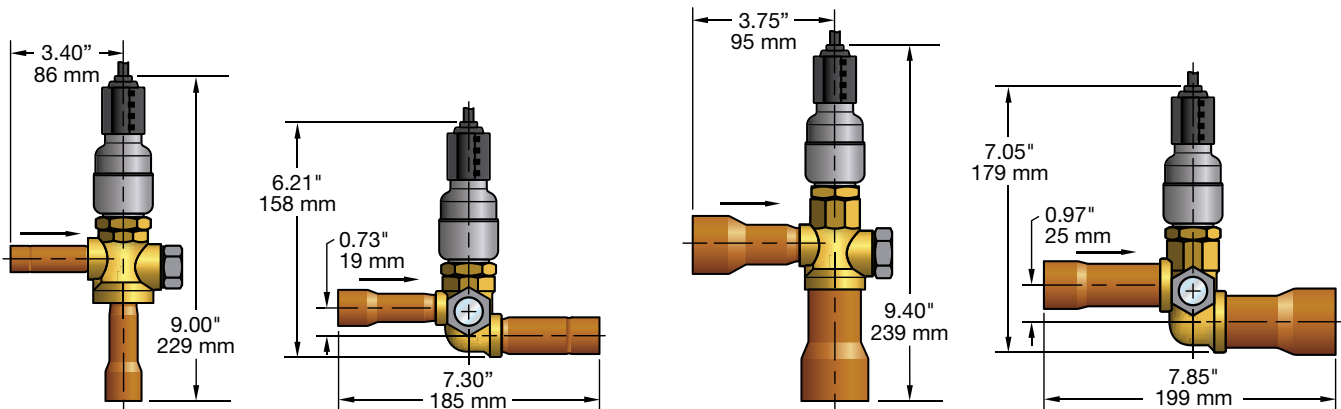
Design Details:

- 2500 Bi-Polar Step Control
- Voltage: 12VDC (-5% / +10%)
- Power: 2.8 Watt
- Operating Temperature: -50°F to 155°F (-45°C to 68°C)
- SERI-G & SERI-J: Bi-Flow
SERI-K & SERI-L: Bi-Sealing, Reduced Flow in Reverse Direction
- MOPD: 500 psid (34.5 bar)
- MRP: 700 psig (48 bar)
- ODF Configurations Standard
- Metric Connections Available
- 10' Cable Length Standard
- All Common HFC, HCFC Refrigerant and Blends
- Subcritical R-744
- Body Configuration: Angle and Straight Thru Offset

Components and Accessories:

| Product | Description | Item Number |
|---|---|--------------------------|
| Kelvin II  | Superheat Controller without Local Display | 952560 |
| | Superheat Controller with Display | 952561 |
| | Remote Display Only | 952562 |
| IB-2  | Interface Board (2500 steps) | 983188 |
| Temperature Sensor  | External Sensing Bulb | 952662 |
| | Temperature Well Sensor Kit  | Internal Sensing Element |
| Pressure Transducer  | 150 psig with Cable | 953091 |
| | 150 psia with Cable | 952995 |
| | 300 psig with Cable (R-410A applications only) | 952740 |
| | 500 psig with Cable (R-744 subcritical applications only) | 952504 |
| | SMA-12  | Test Instrument |

Dimensions - Maximums



SERI-G & SERI-J - Angle and Straight Thru Offset

SERI-K & SERI-L - Angle and Straight Thru Offset

