



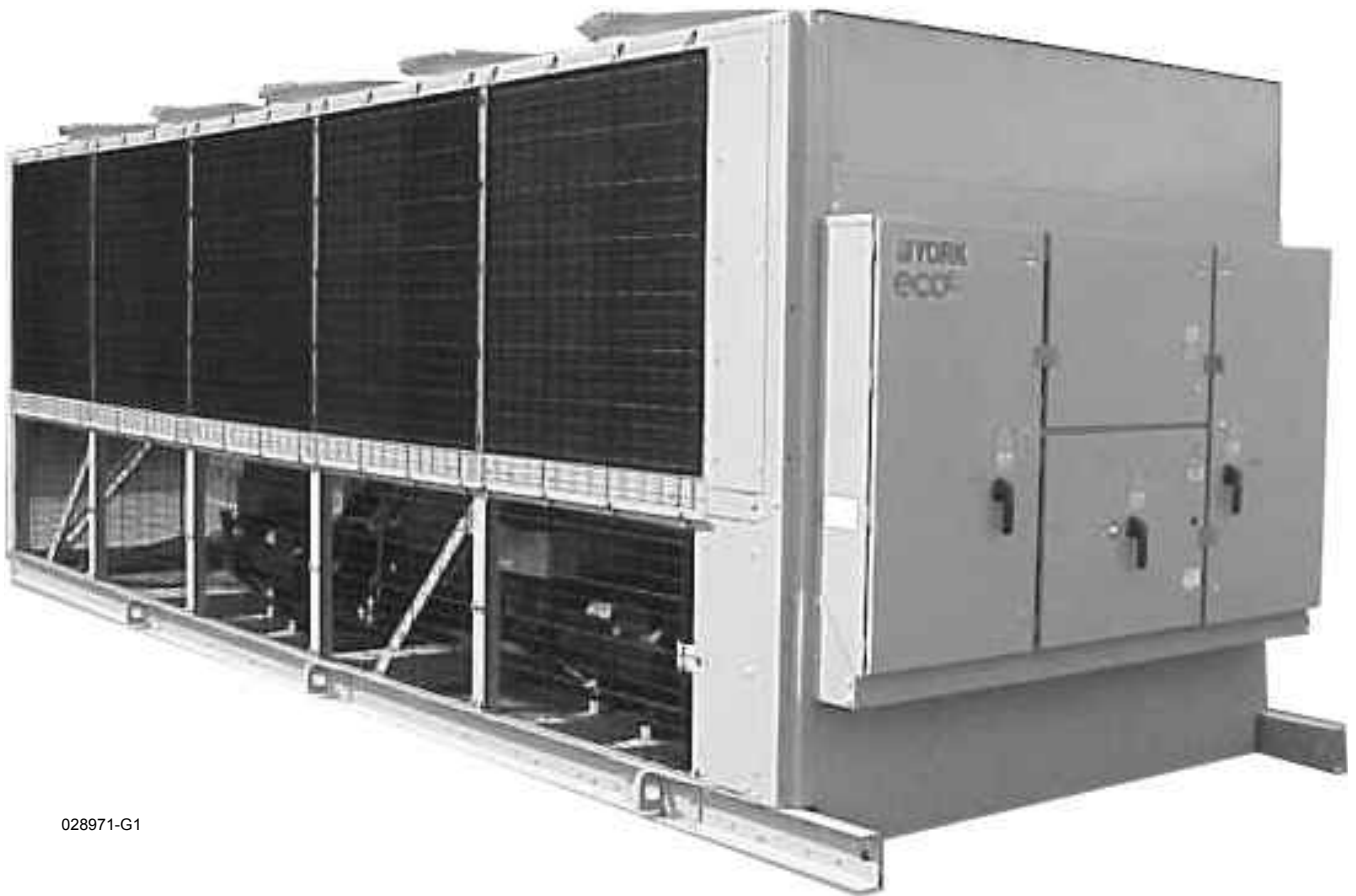
AIR-COOLED SCREW LIQUID CHILLERS

RENEWAL PARTS

New Release

Form: 201.19-RP5 (1204)

MODELS YCAS0098, 0118, 0128, 0138, 0148, 0158, 0178, 0198 and YCAS0208 STYLE "G"



028971-G1



124 - 212 TON
270 - 457Kw
R-407C
60 Hz



200-3-60
230-3-60
315-3-60
460-3-60
575-3-60
MODELS ONLY

CHANGEABILITY OF THIS DOCUMENT

In complying with YORK's policy for continuous improvement, the information contained in this document is subjected to change without notice. While YORK makes no commitment to update or provide current information automatically to the manual user, that information, if applicable, can be obtained by contacting the nearest YORK Engineered Systems Service office.

It is the responsibility of operating/service personnel as to the applicability of these documents to the equipment in question. If there is any question in the mind of operating/ service personnel as to the applicability of these documents, then, prior to working on the equipment, they should verify with the owner, whether the equipment has been modified and if the current literature is available.

WARNING

HIGH VOLTAGE

Is used in the operation of this equipment.

DEATH OR SERIOUS INJURY

may result if personnel fail to observe safety precautions.

Work on electronic equipment should not be undertaken unless the individual(s) have been trained in the proper maintenance of equipment and is (are) familiar with its potential hazards.

Shut off power supply to the equipment before beginning work and follow lockout procedures. When working inside equipment with power off, take care to discharge every capacitor likely to hold dangerous potential.

Be careful not to contact high voltage connections when installing or operating this equipment.

LOW VOLTAGE

DO NOT be misled by the term "low voltage." Voltages as low as 50 volts may cause death.

TABLE OF CONTENTS

	<u>PAGE</u>
UNIT NOMENCLATURE NAMEPLATE ENGINEERING DATA	4
EVAPORATOR	
EVAPORATOR COMPONENTS	6
CONDENSER COILS	
CONDENSER COIL COMPONENTS	8
FAN	
FAN COMPONENTS	10
PIPING	
REFRIGERANT PIPING COMPONENTS.....	12
RELIEF VALVES AND HP CUTOUT SWITCHES	16
COMPRESSOR	
COMPRESSOR	18
CONTROL PANEL	
CONTROL PANEL COMPONENTS.....	28
OPTIONS AND POWER PANELS	
OPTION AND POWER PANEL CONFIGURATION	30
POWER PANEL	32
OPTIONS PANEL.....	36
OPTIONS AND POWER PANEL COMPONENTS.....	40
FAN CONTACTOR COMPONENTS	114
SENSOR HARNESES.....	116
TRANSDUCERS AND TEMP SENSORS	120
TRANSDUCER AND THERMISTOR WIRE HARNESS CONNECTORS	121
CHILLER OPTIONS	
YCAS CHILLER OPTIONS - KITS	122
ENCLOSURE KIT OPTIONS	123
OPTIVIEW REMOTE CONTROL CENTER	128
REMOTE CURRENT/TEMPERATURE RESET PARTS BREAKDOWN	129
RECOMMENDED SPARE PARTS.....	130

UNIT NOMENCLATURE NAMEPLATE ENGINEERING DATA

BASIC PART NUMBER

YCAS0158EC40XGA

1	2	3	4	5	6	7	8	9	10	11	12	13	14	15
BASE PRODUCT TYPE				NOMINAL CAPACITY				UNIT DESIGNATOR	REFRIGERANT	VOLTAGE/STARTER			DESIGN/DEVELOPMENT LEVEL	
Y	C	A	S	#	#	#	#	E	C	1	7		G	
: YORK : Chiller : Air Cooled S : Screw				Tons/Kw 0098 0118 0128 0138 0148 0158 0178 0198 0208				High Efficiency	:R-22 B :R-407C	200/3/60 230/3/60 380/3/60 460/3/60 575/3/60	:Design Series G : :Engineering Change or PIN Level			
													X	A
													Y	
													:Across the Line :Wye Delta	

PART NUMBER – LETTER CODES

16 17 18 19	20 21 22 23 24 25 26 27 28	29 30 31 32 33 34 35 36 37
POWER FIELD	CONTROLS FIELD	COMPRESSOR / PIPING FIELD
X X : Standard Power Option	X : No Ambient Kit	# # : Low Temp. Brine (LBrT)
M D : MP NF Disconnect Switch	T : Temp. Reset / Offset	T S : Thermal Storage
M B : MP TB w/Ind. Sys. Brkr.	C : Current Reset / Offset	C : Chicago Relief Code
S B : SP TB w/Ind. Sys. Brkr.	B : Temp. and Current Reset / Offset	S : Service Isolation Valve
D B : SP NF Disc. Switch w/Ind. Sys. Brkr.	M : ISN Microgateway	B : Both Chicago Relief Code & Isolation Valve
S S : SP TB w/ Ind. Sys. NF Disc. Sw.	X : English LCD & Keypad Display	
C S : SP CB w/ Ind. Sys. NF Disc. Sw.	S : Spanish LCD & Keypad Display	
S X : SP TB	F : French LCD & Keypad Display	
S D : SP NF Disc. Sw.		
B X : SP CB		
C : Control Circuit Power Terminal Strip	L : N. American Safety Code (cUL./cETL)	
T : Control Transformer	N : No Listing (typically 50 HZ non-CE, non-U.L.)	
	P : Pump Control	
	O : OptiView Remote Panel	
	S : Sequence Control & Automatic Lead Transfer	

MP = Multiple Point
SP = Single Point
NF = Non-Fused
TB = Terminal Block
Ser. = Service
Ind. Sys. Brkr. & L. Ext. Handles = Individual System Breaker & Lockable External Handle

38 39 40 41 42 43 44

EVAP. FIELD						
X	3	D	W	V	S	D
						A
						R

:150# PSI DWP
 :300# PSI DWP
 :Double Thick Insulation
 :Weld Flange
 :Victaulic Flange
 :Flow Switch
 :Diff. Press. Switch
 :ASME Pressure Vessel and Associated Codes
 :Remote Cooler

45 46 47

CONDENSER FIELD		
X	C	B
P		X

: Aluminum
 : Copper
 : Black Fin
 : Phenolic
 X : TEAO Fan Motors

48 49 50 51 52 53 54

CABINET FIELD						
X	1	3	5	7	B	L

: Wire Condenser Headers Only (factory)
 : Wire (Full Unit) Enc. Panels (factory)
 : Wire/Louvered Enc. Panels (factory)
 : Louvered (Cond. Only) Enc. Panels (factory)
 : Louvered (Full Unit) Enc. Panels (factory)
 : Acoustic Sound Blanket
 : Low Sound Fans
 :
 1 : 1" Deflection
 S : Seismic
 N : Neoprene Pads

55 EXTENDED FIELD WARRANTY

X	B	C	D	E	F	G	H
---	---	---	---	---	---	---	---

: 1st Year Parts Only
 : 1st Year Parts & Labor
 : 2nd Year Parts Only
 : 2nd Year Parts & Labor
 : 5 Year Compressor Parts Only
 : 5 Year Compressor Parts & Labor Only
 : 5 Year Units Parts Only
 : 5 Year Unit Parts & Labor

56 REFRIGERANT WARRANTY

X	1	2	5
---	---	---	---

: No Refrigerant Warranty
 : 1 Year Refrigerant
 : 2 Year Refrigerant
 : 5 Year Refrigerant

61 PLANT OF MANUFACTURE

R

: Monterrey

NOTES:

- Q :DENOTES SPECIAL / S.Q.
- # :DENOTES STANDARD
- X :w/in OPTIONS FIELD, DENOTES NO OPTION SELECTED
- Agency Files (i.e. U.L. / ETL; CE; ARI; ETC.) will contain info. based on the first 14 characters only.
- Plant of manufacture to include PIN 61 upon entering the chiller order.

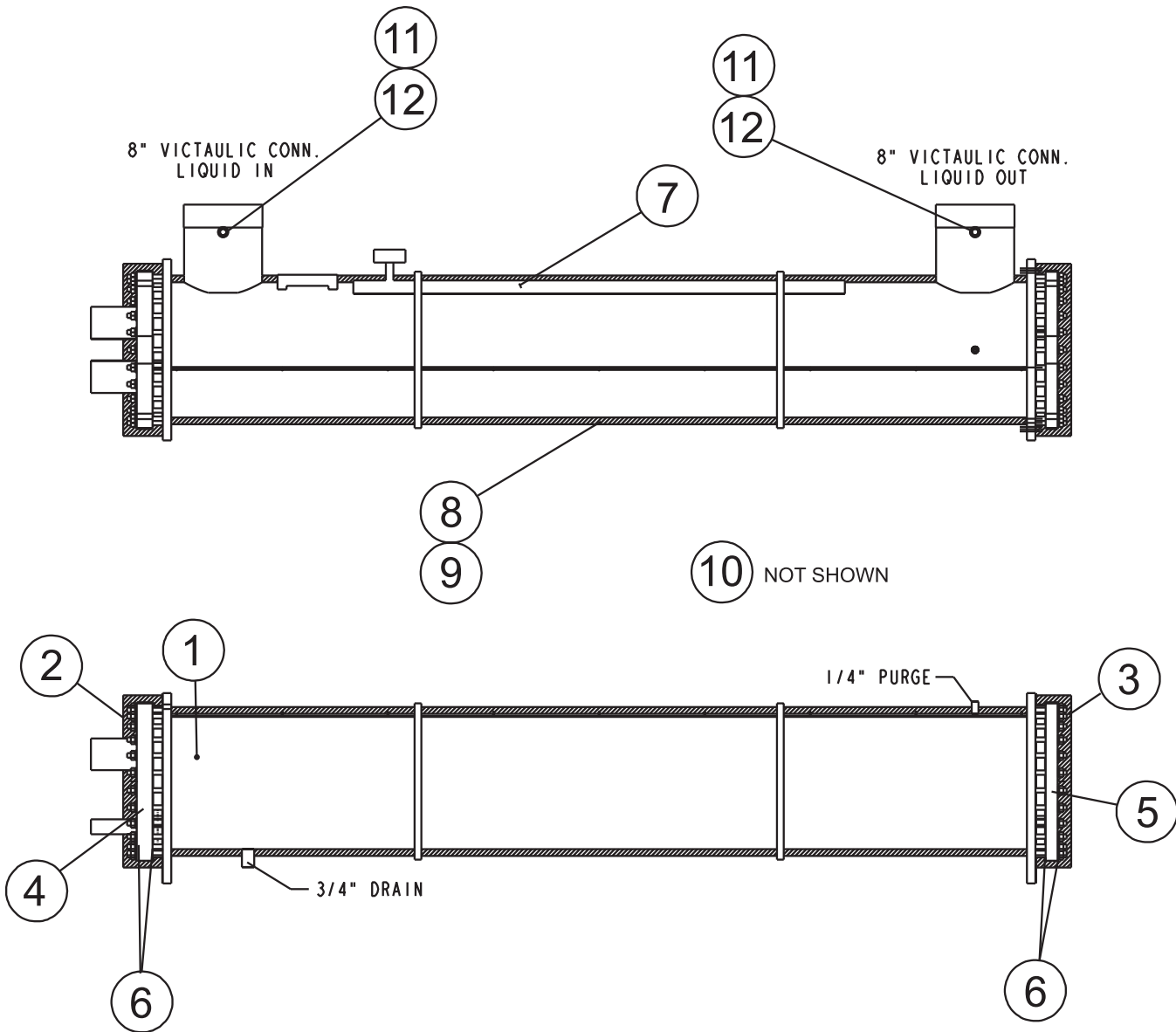
This page intentionally left blank

EVAPORATOR COMPONENTS

Service Note:

Pin location 38 in Model Number will be "X" for 150# DWP Cooler .

Pin location 38 in Model Number will be "3" for 300# DWP Cooler



Service Note:

Standard 150# DWP Cooler Flow Switch - 024-26116-000

Optional 300# DWP Cooler Flow Switch - 024-12144-000

Differential Pressure Switch - 025-30919-000

FIG. 1 – EVAPORATOR COMPONENTS (REF. TABLES 1 AND 1A, PAGE 7)

EVAPORATOR COMPONENTS (CONT'D)

TABLE 1 – EVAPORATOR COMPONENTS - 150 PSIG (SEE FIG. 1, PAGE 6)

ITEM NUMBER	QTY PER UNIT	DESCRIPTION	DWP	UNIT MODELS YCAS0098, 0118 AND YCAS0138 375-36068-001	UNIT MODELS YCAS0128, 0148, 0158, 0178, 0198 AND YCAS0208 375-35793-001
1	1	Evaporator, less Heater & Insulation	ALL	375-44237-000	375-44293-000
2	1	Head, Connection End	ALL	375-44238-000	375-45110-000
3	1	Head, Back End	ALL	375-46959-000	375-45112-000
4	1	Baffle, Connection End	ALL	375-46957-000	375-45101-000
5	1	Baffle, Back End	ALL	375-46955-000	075-45104-000
6	8	Gasket, Baffle and Head	ALL	075-49385-000	075-49375-000
7	1	Heater, Cooler 180 Watt	ALL	025-22690-000	025-22691-000
	1	Heater, Cooler 280 Watt		025-22691-000	
8	-	Insulation (3/4"x49"x65")	ALL	010-05997-000	010-05997-000
9	-	Insulation (1 1/2"x49"x65")		010-05998-000	010-05998-000
10	1 qt.	Adhesive (Use with #6)	ALL	013-03311-000	
11	2	Sensor, Water Temperature	ALL	025-29964-000	025-29964-000
12	2	Well, Thermo	ALL	026-32328-000	026-33627-000

TABLE 1A – EVAPORATOR COMPONENTS - 300 PSIG (SEE FIG. 1, PAGE 6)

ITEM NUMBER	QTY PER UNIT	DESCRIPTION	DWP	UNIT MODELS YCAS0098, 0118 AND YCAS0138 375-52431-001	UNIT MODELS YCAS0128, 0148, 0158, 0178, 0198 AND YCAS0208 375-41438-001
1	1	Evaporator, less Heater & Insulation	ALL	375-52432-000	375-41439-000
2	1	Head, Connection End	ALL	375-44238-000	375-45110-000
3	1	Head, Back End	ALL	375-46959-000	375-45112-000
4	1	Baffle, Connection End	ALL	375-46957-000	375-45101-000
5	1	Baffle, Back End	ALL	375-46955-000	075-45104-000
6	4	Gasket, Baffle and Head	ALL	075-52319-000	075-49375-000
7	1	Heater, Cooler 180 Watt	ALL	025-22690-000	025-22691-000
	1	Heater, Cooler 280 Watt		025-22691-000	
8	-	Insulation (3/4"x49"x65")	ALL	010-05997-000	010-05997-000
9	-	Insulation (1 1/2"x49"x65")		010-05998-000	010-05998-000
10	1 qt.	Adhesive (Use with #6)	ALL	013-03311-000	
11	2	Sensor, Water Temperature	ALL	025-29964-000	025-29964-000
12	2	Well, Thermo	ALL	026-32328-000	026-33627-000

CONDENSER COIL COMPONENTS

Condenser

POWER
PANEL
END OF
CHILLER

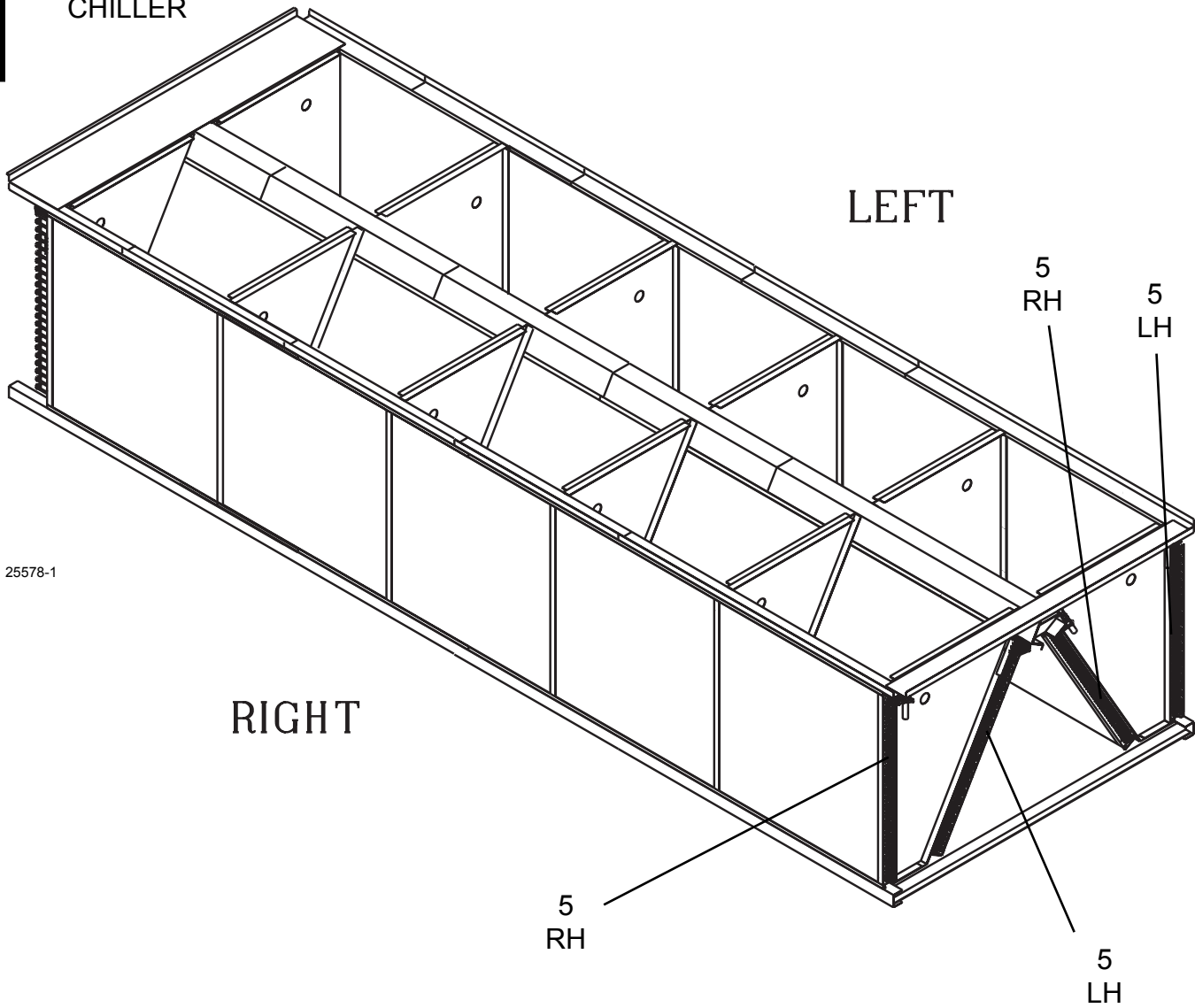


FIG. 2 – CONDENSER COIL COMPONENTS - YCAS0198 & YCAS0208 SHOWN
(REF. TABLE 2, PAGE 9)

CONDENSER COIL COMPONENTS (CONT'D)

TABLE 2 – CONDENSER COIL COMPONENTS (SEE FIG. 2, PAGE 8)

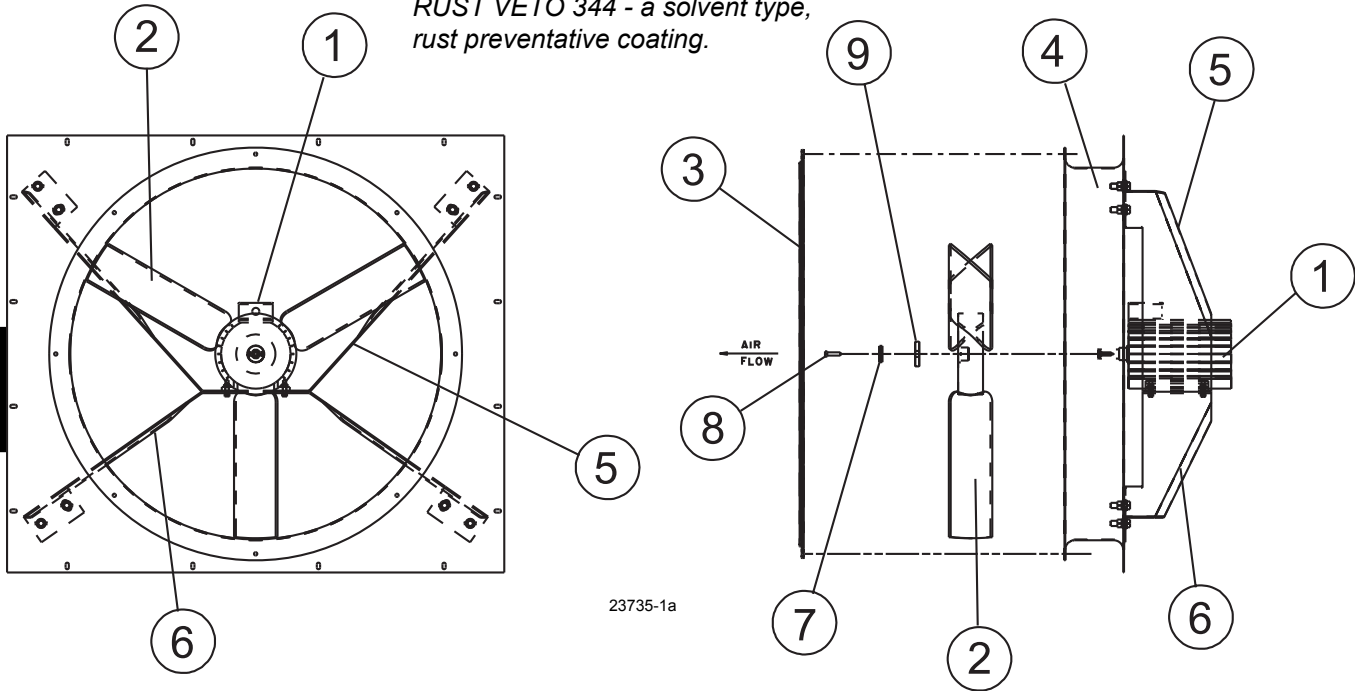
ITEM NUMBER	DESCRIPTION	POSITION	QTY	MODELS YCAS0098-0118 12' COILS	MODELS YCAS0128-0178 16' COILS	MODELS YCAS0198-0208 20' COILS
ALUMINUM FIN COILS						
5	Coil Assembly*	RH	2	375-27435-001	375-29501-001	375-25578-001
		LH	2	375-27435-002	375-29501-002	375-25578-002
BLACK FIN COILS						
5	Coil Assembly*	RH	2	375-23772-001	375-23770-001	375-23771-001
		LH	2	375-23772-002	375-23770-002	375-23771-002
PHENOLIC COILS						
5	Coil Assembly*	RH	2	375-29011-001	375-29010-001	375-29009-001
		LH	2	375-29011-002	375-29010-002	375-29009-002
COPPER COILS						
5	Coil Assembly*	RH	2	375-23778-001	375-23776-001	375-23777-001
		LH	2	375-23778-002	375-23776-002	375-23777-002

*Note: Coil Assembly includes coil and headers.

*Note: Coils for each circuit are denoted left and right as viewed from the power panel end of chiller.

FAN COMPONENTS

Service Note:
 Fan Hub to Shaft Joint should be sealed with protective coating - use RUST VETO 344 - a solvent type, rust preventative coating.



Service Note: Pin Location 52 in Model Number will be "X" for Standard Fan, or "L" for Low Noise Fan. See page 4.

FIG. 3 – FAN COMPONENTS

TABLE 3 – FAN COMPONENTS

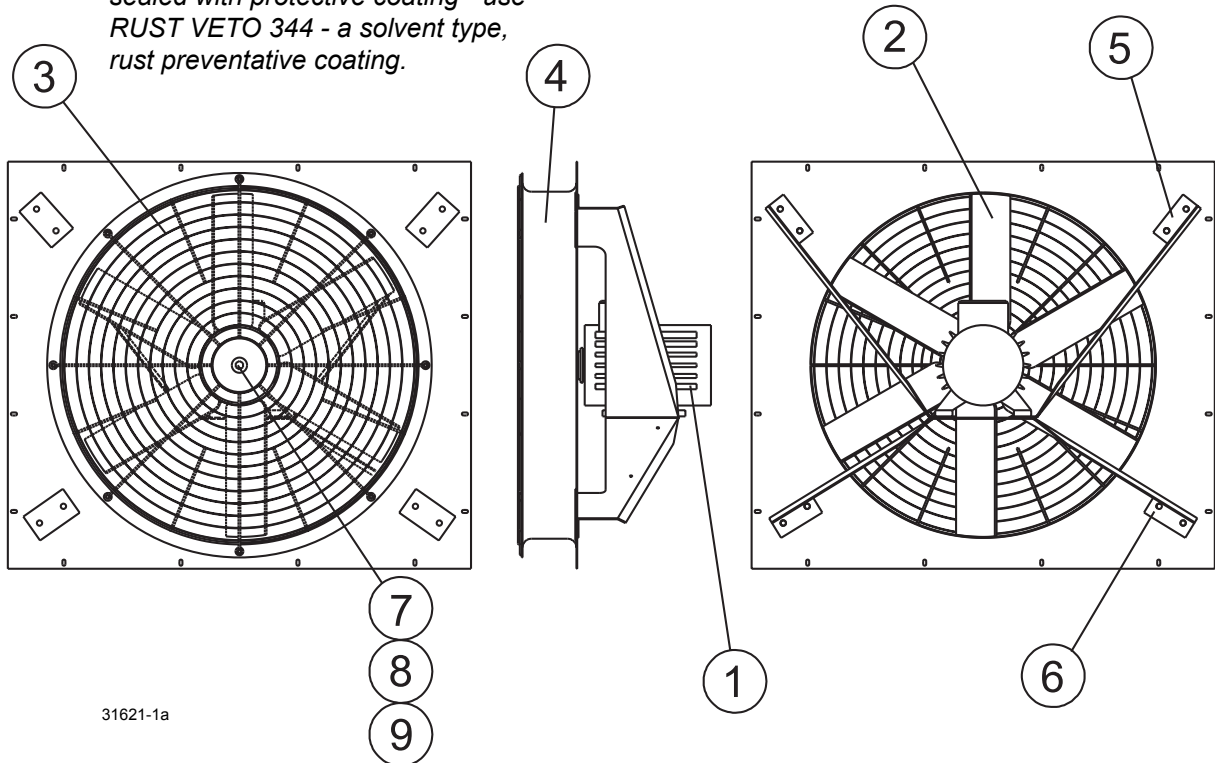
ITEM NUMBER	DESCRIPTION	VOLTAGE CODE	FAN TYPE	
			STANDARD 7/8", 1160 RPM	LOW NOISE 7/8", 850 RPM
1 ^S	Motor, Fan 2 HP (YCAS0098-YCAS0208)	-17	024-30900-002	024-30933-002
		-28	024-30900-002	024-30933-002
		-40	024-30900-004	024-30933-004
		-46	024-30900-001	024-30933-001
		-50	024-30900-001	024-30933-001
		-58	024-30900-003	024-30933-003
2 ^S	Blade	All	026-41594-000	026-41596-000
3	Guard	All	026-35605-000	
4	Orifice	All	026-36141-000	
5	Support, Inner	All	075-25584-000	
6	Support, Outer	All	075-25583-000	
7	Spacer (.375 I.D.)	All	075-29007-000	
8	Screw, Cap (M8x125)	All	021-18494-000	
9	Spacer (1.406 I.D.)	All	075-40484-000	

^S = Recommended Spare Parts

FAN COMPONENTS

Service Note:

Fan Hub to Shaft Joint should be sealed with protective coating - use RUST VETO 344 - a solvent type, rust preventative coating.



31621-1a

Fans

FIG. 3a – FAN COMPONENTS

Service Note: Pin Location 52 in Model Number will be "H" for High Static Fan. See page 4.

TABLE 3a – FAN COMPONENTS

ITEM NUMBER	DESCRIPTION	VOLTAGE CODE	FAN TYPE
			HIGH STATIC 7/8", 1160 RPM
1 ^S	Motor, Fan 5 HP (YCAS0098-YCAS0208)	-17	024-24604-002
		-28	024-24604-002
		-40	024-24604-004
		-46	024-24604-001
		-50	024-24604-001
		-58	024-24604-003
2 ^S	Blade	All	026-41598-000
3	Guard	All	026-35605-000
4	Orifice	All	026-36141-000
5	Support, Upper Right	All	075-31614-000
	Support, Upper Left		075-31615-000
6	Support, Lower	All	075-31616-000
7	Spacer (.531 I.D.)	All	075-29007-001
8	Screw, Cap (M8x125)	All	021-18019-000
9	Spacer (1.406 I.D.)	All	075-40486-000

^S = Recommended Spare Parts

REFRIGERANT PIPING COMPONENTS

CHILLER MODEL YCAS

47947-3

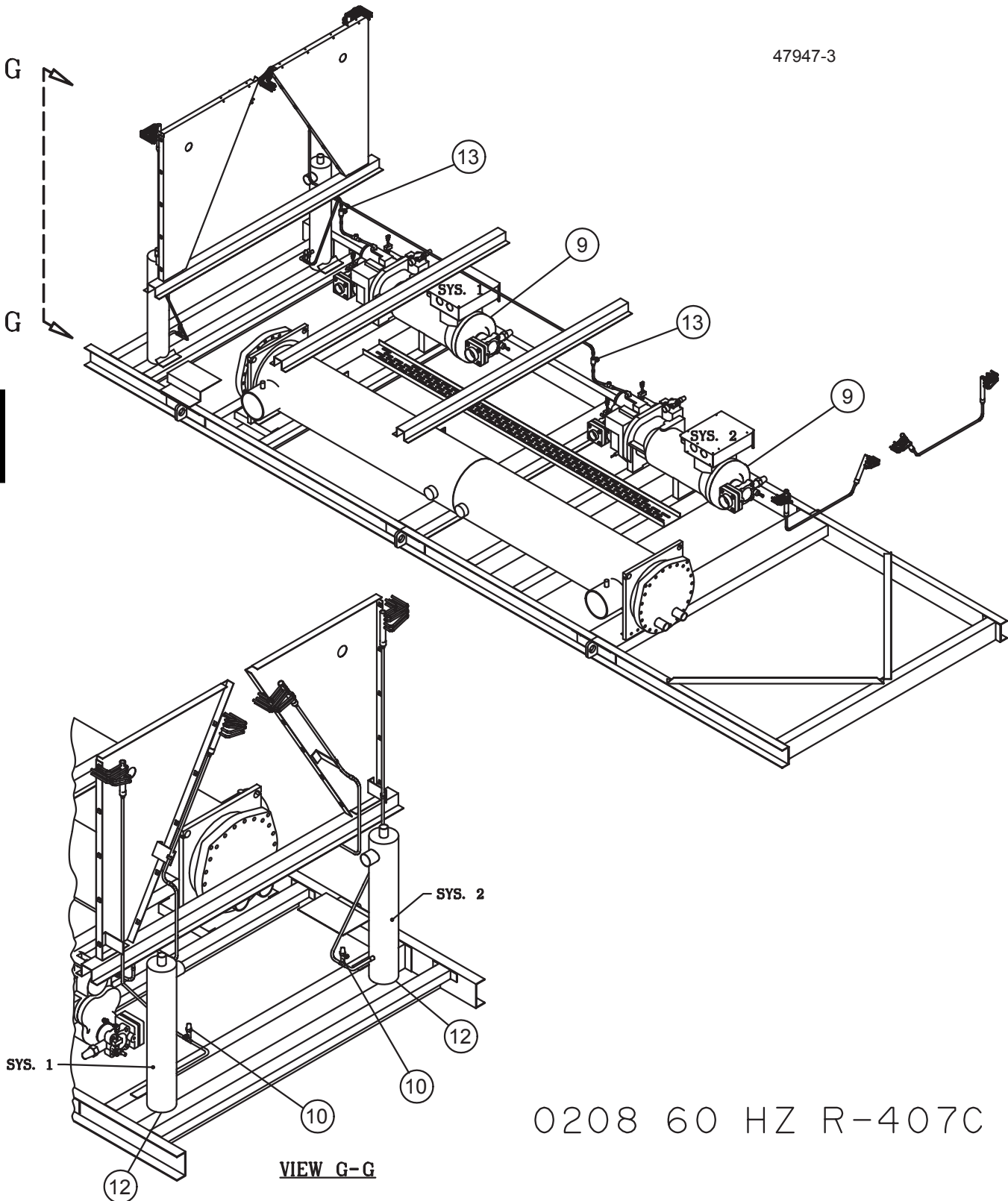
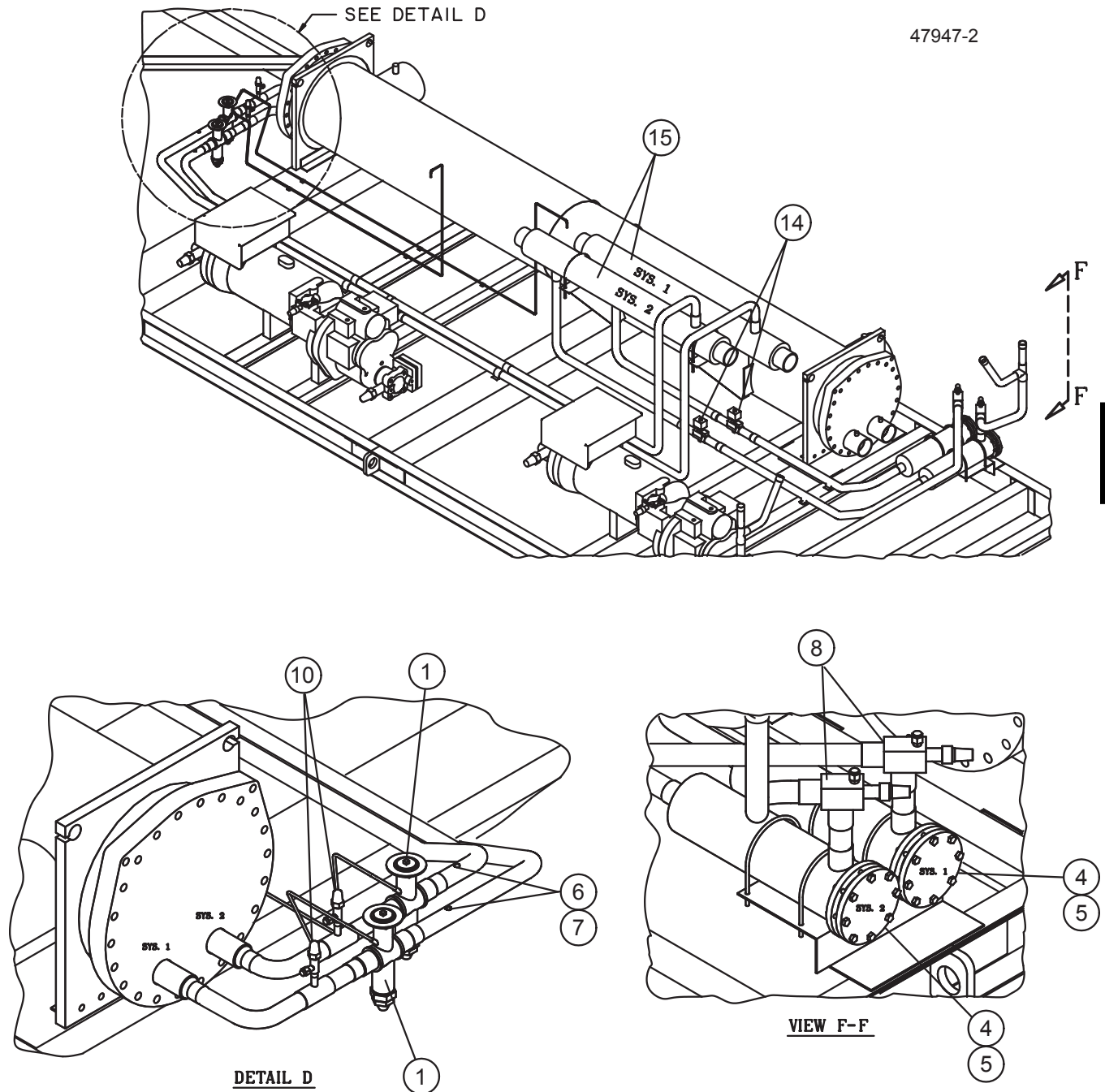


FIG. 4 – REFRIGERANT PIPING COMPONENTS - MODEL YCAS0208 SHOWN
(REF. TABLE 4, PAGES 14 AND 15)

REFRIGERANT PIPING COMPONENTS (CONT'D)

CHILLER MODEL YCAS



0208 60 HZ R-407C

FIG. 4a – REFRIGERANT PIPING COMPONENTS - MODEL YCAS0208 SHOWN
(REF. TABLE 4, PAGES 14 AND 15)

REFRIGERANT PIPING COMPONENTS (CONT'D)

CHILLER MODEL YCAS

TABLE 4 – REFRIGERANT PIPING COMPONENTS (SEE FIGS. 4 AND 4A, PAGES 12 AND 13)

ITEM NO.	QTY PER UNIT	DESCRIPTION	YCAS0098 375-47939-xxx	YCAS0118 375-47940-xxx	YCAS0128 375-47941-xxx
1^S	1	Valve, Thermal Expansion (System 1)	025-34558-020	025-34560-020	025-34558-020
	1	Valve, Thermal Expansion (System 2)	025-34558-010	025-34558-010	025-34558-010
4	2	Dehydrator, Body (Replacable Core)	026-21055-000	026-21055-000	026-21055-000
5^S	4	Core, Dehydrator	026-37540-000	026-37540-000	026-37540-000
6	1	Moisture Indicator, Body (System 1)	026-37544-000	026-37545-000	026-37545-000
	1	Moisture Indicator, Body (System 2)		026-37544-000	
7	2	Moisture Indicator, Sight Glass Cap	026-37547-000	026-37548-000	026-37547-000
8	2	Valve, Liquid Stop	022-09778-000	022-09778-000	022-09778-000
9	2	Compressor	See page 19		
10	4	Valve, Charging	022-09754-000	022-09754-000	022-09754-000
12	1	Oil Separator (System 1)	075-56108-002		
	1	Oil Separator (System 2)	075-56108-001		
13	2	Valve, Ball (Oil Line)	022-09172-000	022-09172-000	022-09172-000
14	1	Valve, Solenoid (System 1)	025-33705-000	025-33704-000	025-33704-000
	1	Valve, Solenoid (System 2)		025-33705-000	
15	1	Heat Exchanger (System 1)	375-32135-000	375-32135-000	375-32135-000
	1	Heat Exchanger (System 2)			

^S = Recommended Spare Parts

ITEM NO.	QTY PER UNIT	DESCRIPTION	YCAS0138 375-47942-xxx	YCAS0148 375-47943-xxx	YCAS0158 375-47944-xxx
1^S	1	Valve, Thermal Expansion (System 1)	025-34560-020	025-34560-020	025-34560-020
	1	Valve, Thermal Expansion (System 2)	025-34560-010	025-34560-010	025-34560-010
4	2	Dehydrator, Body (Replacable Core)	026-21055-000	026-21055-000	026-21055-000
5^S	4	Core, Dehydrator	026-37540-000	026-37540-000	026-37540-000
6	1	Moisture Indicator, Body (System 1)	026-37545-000	026-37545-000	026-37545-000
	1	Moisture Indicator, Body (System 2)			
7	2	Moisture Indicator, Sight Glass Cap	026-37547-000	026-37547-000	026-37547-000
8	2	Valve, Liquid Stop	022-09778-000	022-09778-000	022-09778-000
9	2	Compressor	See page 19		
10	4	Valve, Charging	022-09754-000	022-09754-000	022-09754-000
12	1	Oil Separator (System 1)	075-56108-002		
	1	Oil Separator (System 2)	075-56108-001		
13	2	Valve, Ball (Oil Line)	022-09172-000	022-09172-000	022-09172-000
14	1	Valve, Solenoid (System 1)	025-33704-000	025-33704-000	025-33704-000
	1	Valve, Solenoid (System 2)			
15	1	Heat Exchanger (System 1)	375-32135-000	375-32135-000	375-32135-000
	1	Heat Exchanger (System 2)			

^S = Recommended Spare Parts

REFRIGERANT PIPING COMPONENTS (CONT'D)

CHILLER MODEL YCAS

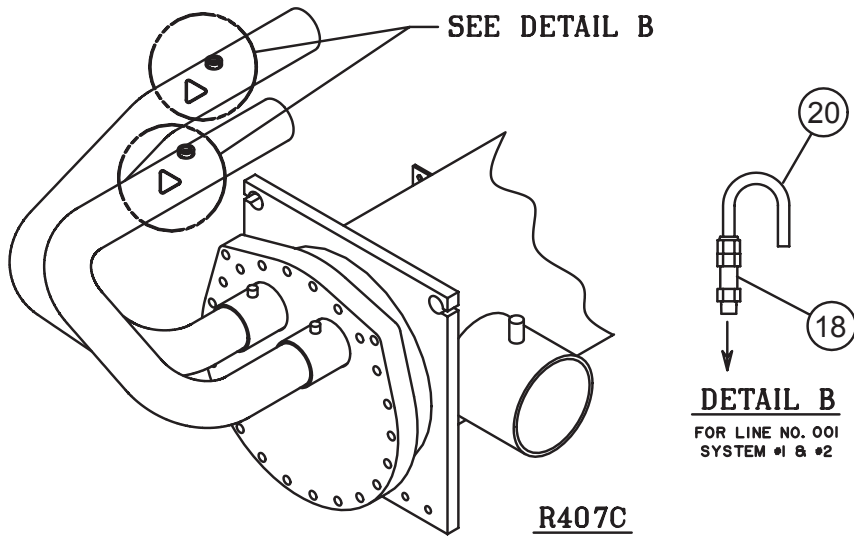
TABLE 4 (CONT'D) – REFRIGERANT PIPING COMPONENTS
(SEE FIGS. 4 AND 4A, PAGES 12 AND 13)

ITEM NO.	QTY PER UNIT	DESCRIPTION	YCAS0178 375-47945-xxx	YCAS0198 375-47946-xxx	YCAS0208 375-47947-xxx
1^S	1	Valve, Thermal Expansion (System 1)	025-34559-020	025-34559-020	025-34589-020
	1	Valve, Thermal Expansion (System 2)	025-34559-010	025-34559-010	025-34589-010
4	1	Dehydrator, Body (Replacable Core)	026-21055-000	026-16960-000	026-16960-000
	1	Dehydrator, Body (Replacable Core)		026-21055-000	
5^S	4	Core, Dehydrator	026-37540-000	026-37540-000	026-37540-000
6	1	Moisture Indicator, Body (System 1)	026-37545-000	026-37546-000	026-37546-000
	1	Moisture Indicator, Body (System 2)		026-37545-000	
7	2	Moisture Indicator, Sight Glass Cap	026-37547-000	026-37547-000	026-37547-000
8	1	Valve, Liquid Stop (System 1)	022-09778-000	022-09779-000	022-09778-000
	1	Valve, Liquid Stop (System 2)		022-09778-000	
9	2	Compressor	See page 19		
10	4	Valve, Charging	022-09754-000	022-09754-000	022-09754-000
12	1	Oil Separator (System 1)	075-56108-002		
	1	Oil Separator (System 2)	075-56108-001		
13	2	Valve, Ball (Oil Line)	022-09172-000	022-09172-000	022-09172-000
14	1	Valve, Solenoid (System 1)	025-33704-000	025-33281-000	025-33281-000
	1	Valve, Solenoid (System 2)		025-33704-000	
15	1	Heat Exchanger (System 1)	375-32135-000	375-32135-000	375-32135-000
	1	Heat Exchanger (System 2)			

^S = Recommended Spare Parts

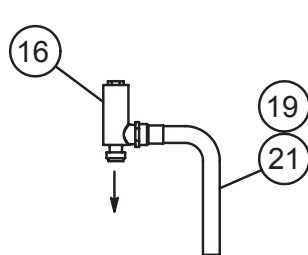
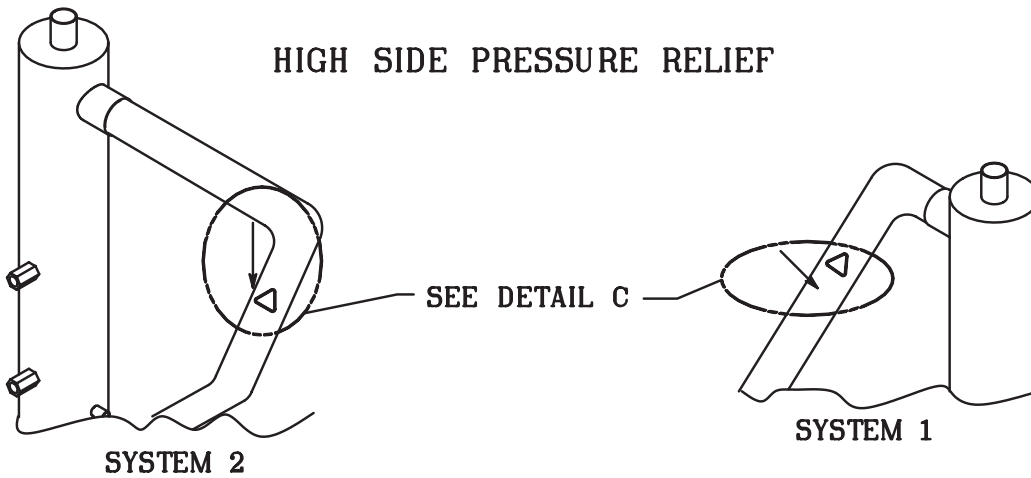
RELIEF VALVES AND CUTOUT SWITCHES CHILLER MODEL YCAS

LOW SIDE PRESSURE RELIEF

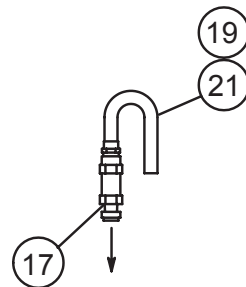


Piping

HIGH SIDE PRESSURE RELIEF



DETAIL C
FOR LINE NO. 901
SYSTEM #1 & #2



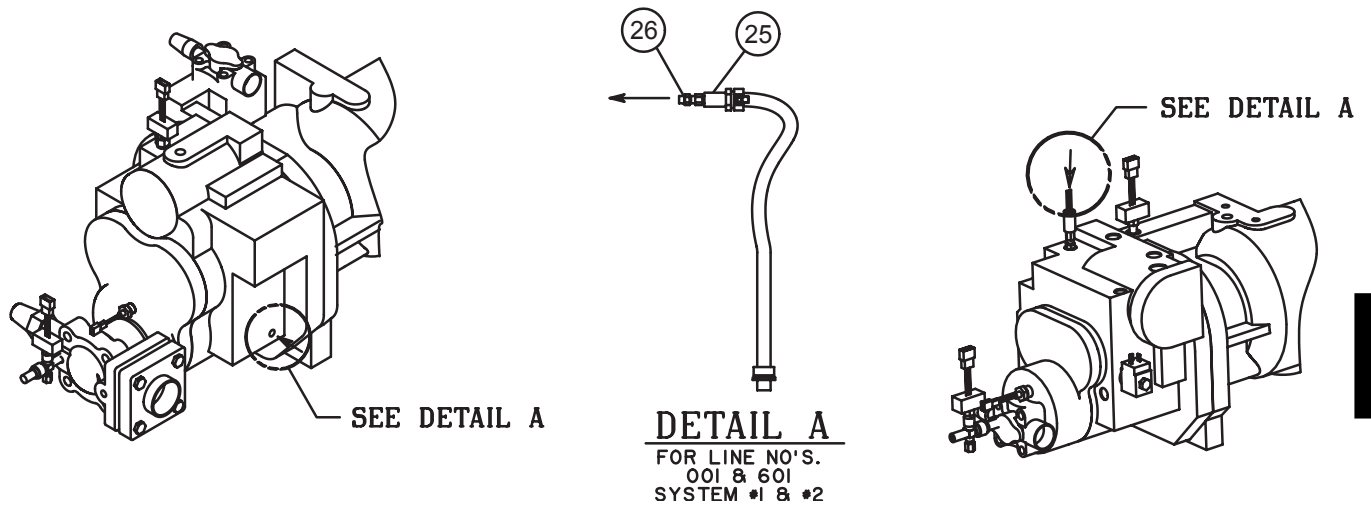
DETAIL C
FOR LINE NO'S. 401, 402 & 501
SYSTEM #1 & #2

23788-001

FIG. 5 – RELIEF VALVES AND CUTOUT SWITCHES (REF. TABLE 5, PAGE 17)

RELIEF VALVES AND CUTOUT SWITCHES (CONT'D)

HIGH PRESSURE CUT-OUT SWITCH



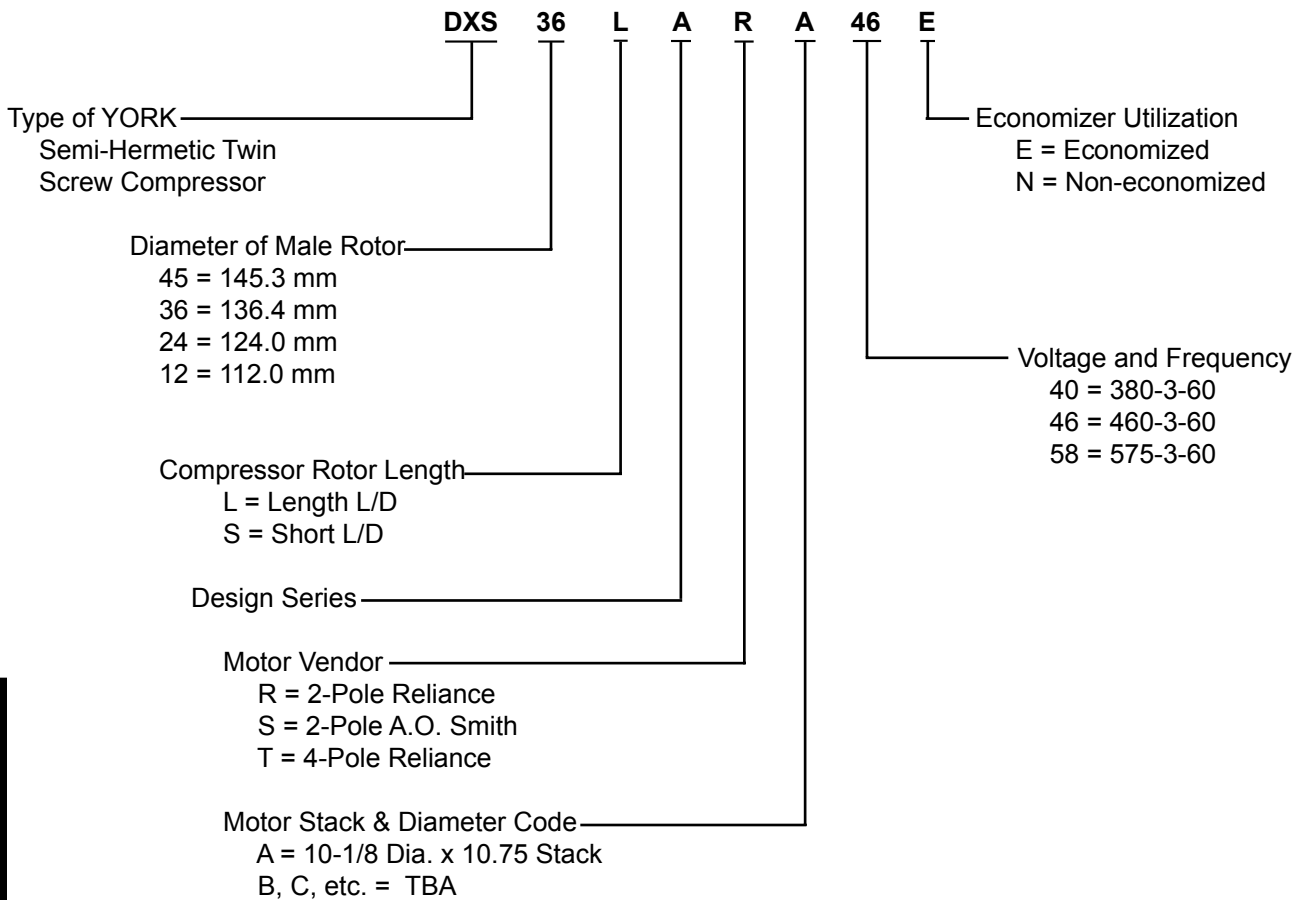
23788-001a

FIG. 5a – RELIEF VALVES AND CUTOUT SWITCHES (REF. TABLE 5, PAGE 17)

TABLE 5 – RELIEF VALVES AND CUTOUT SWITCHES (SEE FIGS. 5 AND 5A, PAGES 16 & 17)

ITEM NO.	QTY PER UNIT	DESCRIPTION	SYSTEM	ALL MODELS
16	2	High Side Relief, Angle V-31 Bar	Both	022-09794-000
17	2	High Side Relief, Straight Thru 405 psig	Both	022-08863-000
18	2	Low Side Relief, Straight Thru 300 psig	Both	022-10045-000
19	2	Tube for 16 & 17	Both	075-30993-000
20	2	Tube for 18	Both	375-30919-000
21	2	Adapter for 16 & 17	Both	023-00124-000
25	2	High Press Sw, Auto Reset 405 psig	Both	025-30840-000
26	2	O-ring, 3-904	Both	028-13540-000

COMPRESSOR MODEL NOMENCLATURE



Compressor

COMPRESSOR WEIGHTS		
MM SIZE	WEIGHT (LBS.)*	WEIGHT (Kg.)
145	1310	594
136	1250	567
124	1175	533
112	760	345

***Note:** Less Service Valves.

Service Note:
Compressor Isolator Pad Kit
475-37845-xxx one kit per compressor.

Service Note:
Compressor feet hold-down bolts, tightened from the underside of the frame rails must be removed.

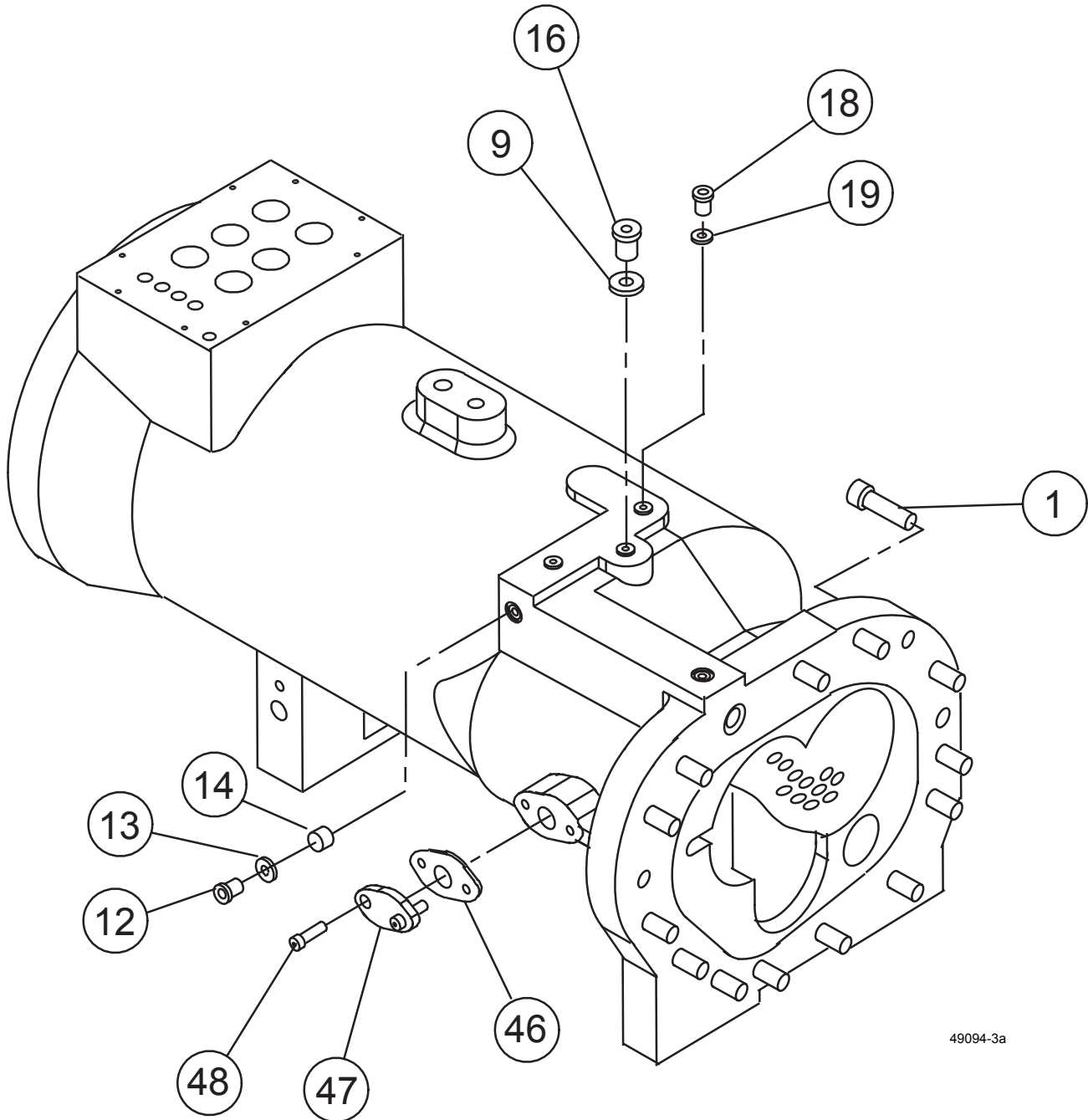
COMPRESSOR

TABLE 6 – COMPRESSOR PART NUMBERS

MODEL	VOLTAGE CODE	SYSTEM #1 COMPRESSOR				SYSTEM #2 COMPRESSOR			
		PART #	MODEL #	MM	QTY	PART #	MODEL #	MM	QTY
YCAS0098	-17	364-49096-212	DXS12LA	112	1	364-49096-212	DXS12LA	112	1
	-28	364-49096-213	DXS12LA	112	1	364-49096-213	DXS12LA	112	1
	-40	364-49096-214	DXS12LA	112	1	364-49096-214	DXS12LA	112	1
	-46	364-49096-215	DXS12LA	112	1	364-49096-215	DXS12LA	112	1
	-58	364-49096-216	DXS12LA	112	1	364-49096-216	DXS12LA	112	1
YCAS0118	-17	364-49095-212	DXS24LA	124	1	364-49096-212	DXS12LA	112	1
	-28	364-49095-213	DXS24LA	124	1	364-49096-213	DXS12LA	112	1
	-40	364-49095-214	DXS24LA	124	1	364-49096-214	DXS12LA	112	1
	-46	364-49095-215	DXS24LA	124	1	364-49096-215	DXS12LA	112	1
	-58	364-49095-216	DXS24LA	124	1	364-49096-216	DXS12LA	112	1
YCAS0128	-17	364-49095-212	DXS24LA	124	1	364-49096-212	DXS12LA	112	1
	-28	364-49095-213	DXS24LA	124	1	364-49096-213	DXS12LA	112	1
	-40	364-49095-214	DXS24LA	124	1	364-49096-214	DXS12LA	112	1
	-46	364-49095-215	DXS24LA	124	1	364-49096-215	DXS12LA	112	1
	-58	364-49095-216	DXS24LA	124	1	364-49096-216	DXS12LA	112	1
YCAS0138	-17	364-49095-212	DXS24LA	124	1	364-49095-212	DXS24LA	124	1
	-28	364-49095-213	DXS24LA	124	1	364-49095-213	DXS24LA	124	1
	-40	364-49095-214	DXS24LA	124	1	364-49095-214	DXS24LA	124	1
	-46	364-49095-215	DXS24LA	124	1	364-49095-215	DXS24LA	124	1
	-58	364-49095-216	DXS24LA	124	1	364-49095-216	DXS24LA	124	1
YCAS0148	-17	364-49095-212	DXS24LA	124	1	364-49095-212	DXS24LA	124	1
	-28	364-49095-213	DXS24LA	124	1	364-49095-213	DXS24LA	124	1
	-40	364-49095-214	DXS24LA	124	1	364-49095-214	DXS24LA	124	1
	-46	364-49095-215	DXS24LA	124	1	364-49095-215	DXS24LA	124	1
	-58	364-49095-216	DXS24LA	124	1	364-49095-216	DXS24LA	124	1
YCAS0158	-17	364-49093-212	DXS36LA	136	1	364-49095-212	DXS24LA	124	1
	-28	364-49093-213	DXS36LA	136	1	364-49095-213	DXS24LA	124	1
	-40	364-49093-214	DXS36LA	136	1	364-49095-214	DXS24LA	124	1
	-46	364-49093-215	DXS36LA	136	1	364-49095-215	DXS24LA	124	1
	-58	364-49093-216	DXS36LA	136	1	364-49095-216	DXS24LA	124	1
YCAS0178	-17	364-49093-212	DXS36LA	136	1	364-49093-212	DXS36LA	136	1
	-28	364-49093-213	DXS36LA	136	1	364-49093-213	DXS36LA	136	1
	-40	364-49093-214	DXS36LA	136	1	364-49093-214	DXS36LA	136	1
	-46	364-49093-215	DXS36LA	136	1	364-49093-215	DXS36LA	136	1
	-58	364-49093-216	DXS36LA	136	1	364-49093-216	DXS36LA	136	1
YCAS0198	-17	364-49094-212	DXS45LA	145	1	364-49094-212	DXS45LA	145	1
	-28	364-49094-213	DXS45LA	145	1	364-49094-213	DXS45LA	145	1
	-40	364-49094-214	DXS45LA	145	1	364-49094-214	DXS45LA	145	1
	-46	364-49094-215	DXS45LA	145	1	364-49094-215	DXS45LA	145	1
	-58	364-49094-216	DXS45LA	145	1	364-49094-216	DXS45LA	145	1
YCAS0208	-17	364-49094-212	DXS45LA	145	1	364-49094-212	DXS45LA	145	1
	-28	364-49094-213	DXS45LA	145	1	364-49094-213	DXS45LA	145	1
	-40	364-49094-214	DXS45LA	145	1	364-49094-214	DXS45LA	145	1
	-46	364-49094-215	DXS45LA	145	1	364-49094-215	DXS45LA	145	1
	-58	364-49094-216	DXS45LA	145	1	364-49094-216	DXS45LA	145	1

Compressor
Service Note: Compressor Change Out Kit - ALL Models - 464-49737-000 (Includes Gaskets and O-rings)

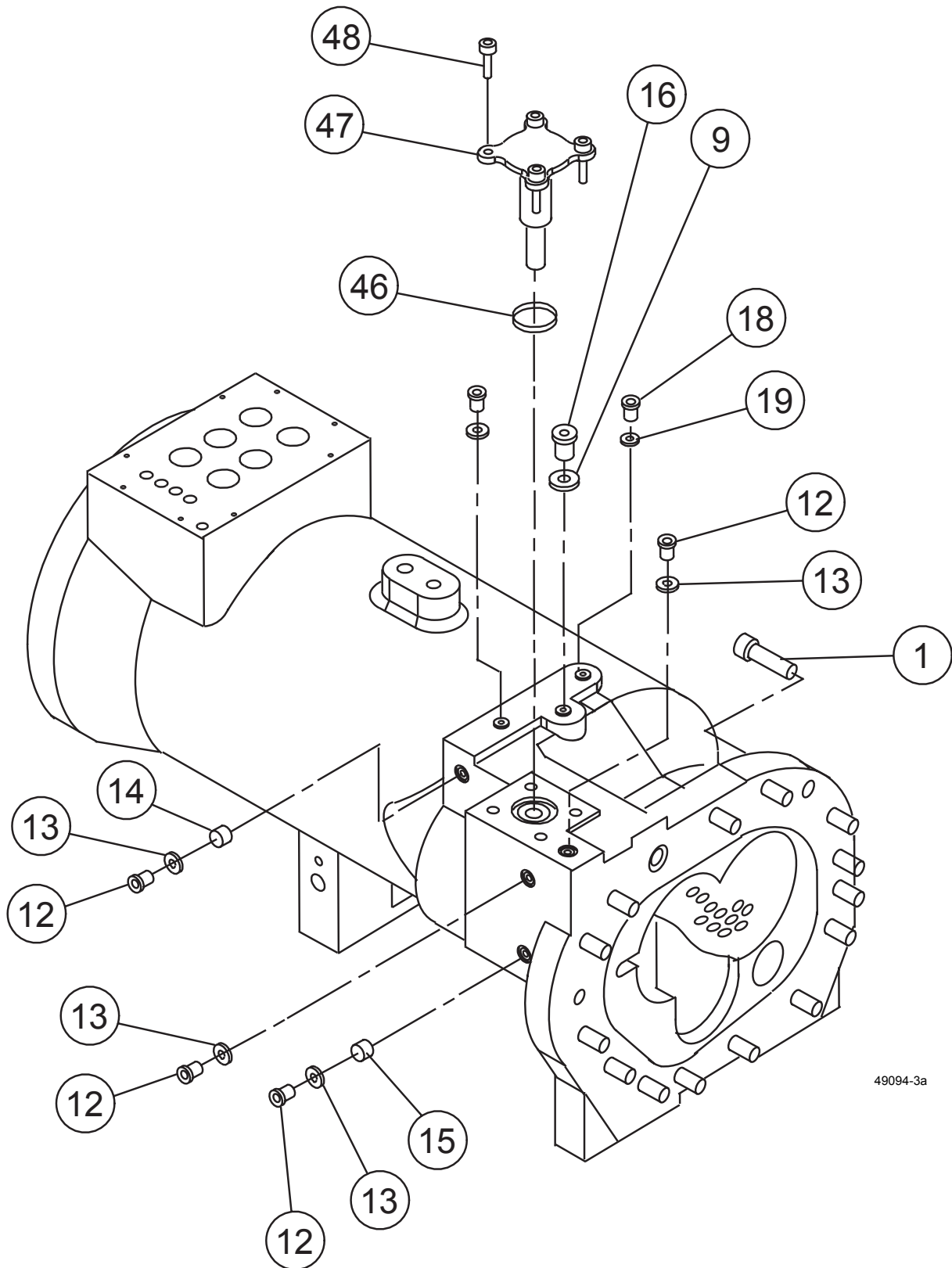
COMPRESSOR (CONT'D)



49094-3a

FIG. 6 – 112MM DXS COMPRESSOR COMPONENTS
 PARTIAL EXPLODED VIEW (REF. TABLE 7, PAGES 24, 25 AND 26)

COMPRESSOR (CONT'D)



49094-3a

FIG. 6a – 124MM, 136MM & 145MM DXS COMPRESSOR COMPONENTS
PARTIAL EXPLODED VIEW (REF. TABLE 7, PAGES 24, 25 AND 26)

COMPRESSOR (CONT'D)

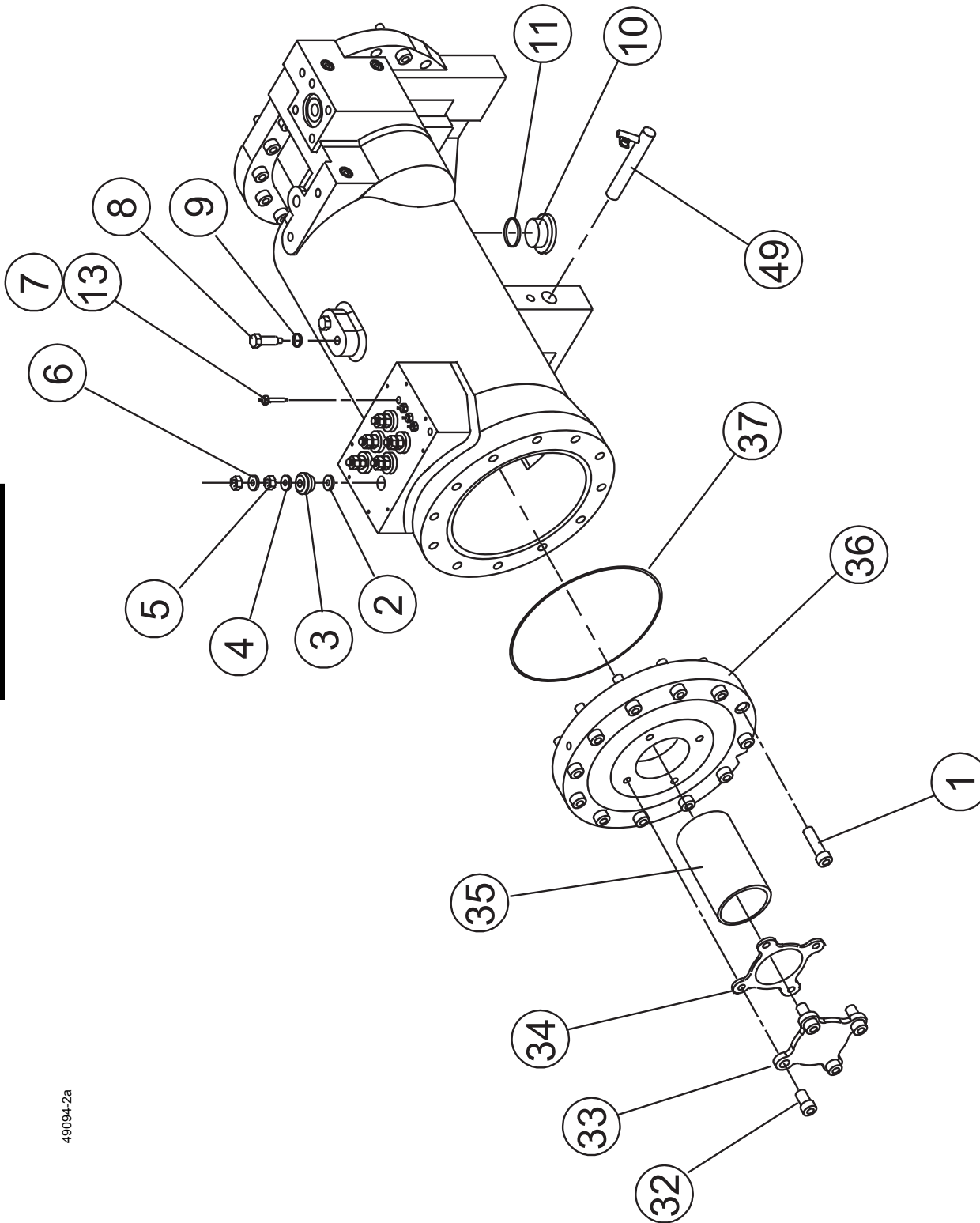
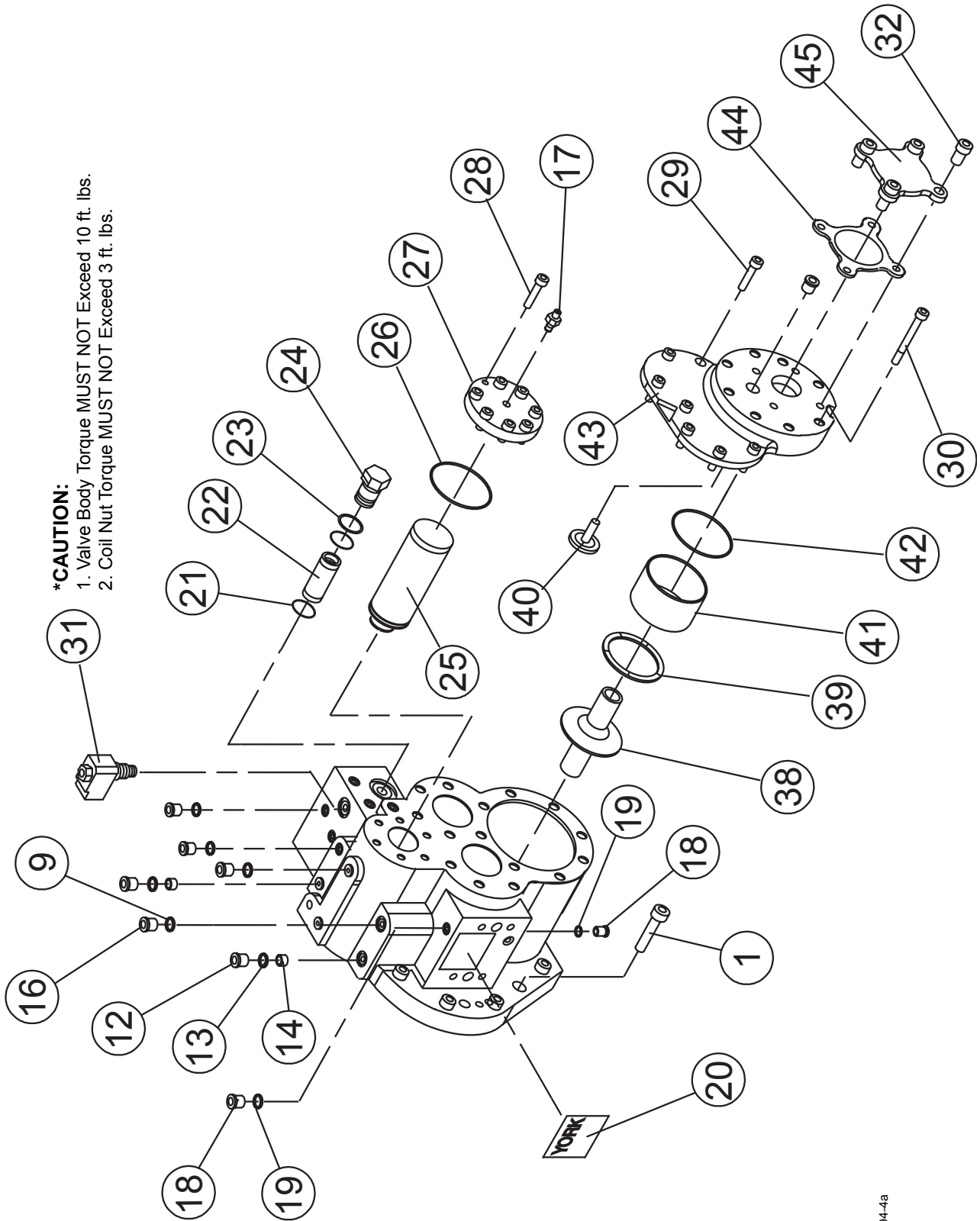


FIG. 6b – COMPRESSOR COMPONENTS - 124MM, 136MM & 145MM DXS SHOWN
PARTIAL EXPLODED VIEW (REF. TABLE 7, PAGES 24, 25 AND 26)

Compressor

49094-2a

COMPRESSOR (CONT'D)



***CAUTION:**
 1. Valve Body Torque MUST NOT Exceed 10 ft. lbs.
 2. Coil Nut Torque MUST NOT Exceed 3 ft. lbs.

49094-1a

FIG. 6c – COMPRESSOR COMPONENTS - 124MM, 136MM & 145MM DXS SHOWN
 PARTIAL EXPLODED VIEW (REF. TABLE 7, PAGES 24, 25 AND 26)

Compressor

COMPRESSOR (CONT'D)

TABLE 7 – COMPRESSOR COMPONENTS (SEE FIGS. 6, 6A AND 6B, PAGES 20-23)

ITEM NO.	PART DESCRIPTION	PART NO.
1	SCREW, SOCKET HD. CAP - M16 X 65MM LONG	021-19108-000
2	SEAL, TERMINAL	028-13946-000
3	INSULATOR, TOP	025-33201-000
4	WASHER, TERMINAL	021-19117-000
5	NUT, HEAVY HEX - 7/16" X 20UNF	021-19102-000
6	WASHER, LOCK - 7/16"	021-19619-000
7	THERMISTOR, 7/16" X 20UNF-2A	025-33202-000
8	PIN, STATOR LOCKING (112MM)	064-49129-000
	PIN, STATOR LOCKING (124MM, 136MM & 145MM)	064-49954-000
9	O-RING 3 - 908	028-13856-000
10	PLUG, HOLLOW HEX - 1 7/8"	023-18926-000
11	O-RING 3 - 924	028-13865-000
12	PLUG, HOLLOW HEX - 9/16"	023-18922-000
13	O-RING - 906	028-13855-000
14	PLUG - 0.032 ORIFICE	029-22716-000
15	PLUG - 0.093 ORIFICE	029-22994-000
16	PLUG, HOLLOW HEX - 3/4"	023-18923-000
17	VALVE, ACCESS 7/16"	022-09715-000
18	PLUG, HOLLOW HEX - 7/16"	023-18921-000
19	O-RING 3 - 904	028-13854-000
20	PLATE, DATA	029-22722-000
21	O-RING 2- 023	028-13859-000
22	VALVE, OIL CONTROL	022-09710-000
23	O-RING 3 - 916	028-13857-000
24	PLUG, OIL RETURN VALVE	064-49135-000
25 ^S	ELEMENT, OIL FILTER	026-35601-000
26 ^S	O-RING 2 - 152	028-13849-000
27	COVER, OIL FILTER	064-49003-000
28	SCREW, SOCKET HD. CAP - M8 X 30MM LONG	021-19115-000
29	SCREW, SOCKET HD. CAP - M8 X 35MM LONG (112MM)	021-19112-000
	SCREW, SOCKET HD. CAP - M10 X 45MM LONG (124MM-145MM)	021-19617-000

^S = Recommended Spare Parts

COMPRESSOR (CONT'D)

TABLE 7 CONT'D – COMPRESSOR COMPONENTS
(SEE FIGS. 6, 6A AND 6B, PAGES 20-23)

ITEM NO.	PART DESCRIPTION	PART NO. (Qty.)
30	SCREW, SOCKET HD. CAP - M8 X 80MM LONG (112MM)	021-19113-000
	SCREW, SOCKET HD. CAP - M10 X 45MM LONG (124MM-145MM)	021-19616-000
31 ^S	VALVE, CAPACITY CONTROL	025-33205-000
32	SCREW, SOCKET HD. CAP - M16 X 30MM LONG	021-19118-000
33	PLATE, VALVE COVER (112MM & 124MM)	064-49008-000
	PLATE, VALVE COVER (136MM & 145MM)	064-49009-000
34	GASKET, 3" (112MM & 124MM)	028-13863-000
	GASKET, 3 1/2" (136MM & 145MM)	028-13864-000
35	STRAINER, SUCTION (112MM & 124MM)	026-35623-000
	STRAINER, SUCTION (136MM & 145MM)	026-35600-000
36	COVER, SUCTION (112MM)	064-49437-000
	COVER, SUCTION (124MM)	064-49375-000
	COVER, SUCTION (136MM & 145MM)	064-49198-000
37	O-RING 2-273 (112MM)	028-13950-000
	O-RING 2 - 276 (124MM, 136MM & 145MM)	028-13852-000
38	ORIFICE, MUFFLER (112MM)	064-49515-000
	ORIFICE, MUFFLER (124MM)	064-49518-000
	ORIFICE, MUFFLER (136MM & 145MM)	064-49516-000
39	SPRING, MUFFLER PRELOAD (112MM)	029-22912-000
	SPRING, MUFFLER PRELOAD (124MM)	029-22902-000
	SPRING, MUFFLER PRELOAD (136MM & 145MM)	029-22904-000
40	BUTTON, CHECK VALVE (112MM)	064-49507-000
	BUTTON, CHECK VALVE (124MM)	064-49521-000
	BUTTON, CHECK VALVE (136MM)	064-49517-000
	BUTTON, CHECK VALVE (145MM)	064-49504-000
41	SPACER, MUFFLER (112MM)	064-49514-000
	SPACER, MUFFLER (124MM)	064-49520-000
	SPACER, MUFFLER (136MM & 145MM)	064-49513-000

COMPRESSOR (CONT'D)

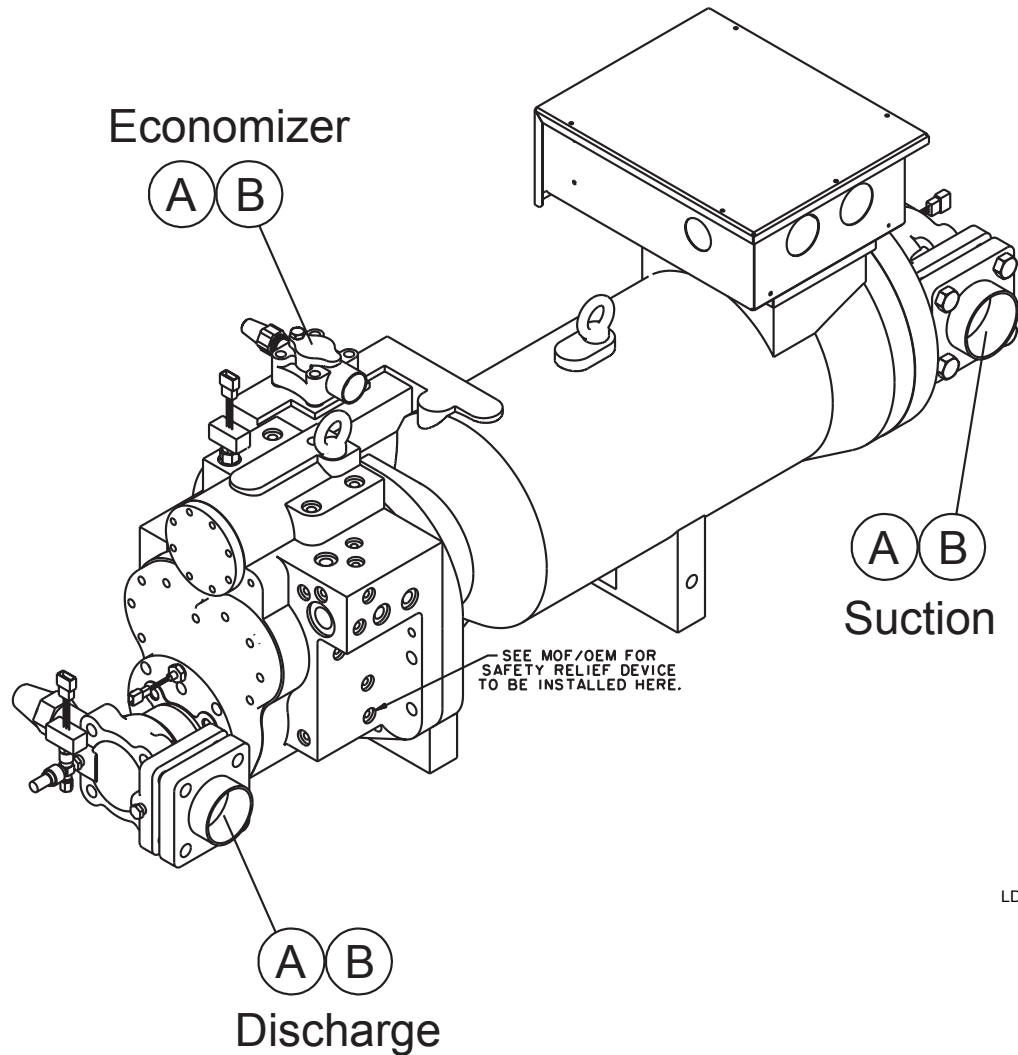
TABLE 7 CONT'D – COMPRESSOR COMPONENTS
(SEE FIGS. 6, 6A AND 6B, PAGES 20-23)

ITEM NO.	PART DESCRIPTION	PART NO. (Qty.)
42	O-RING 2 -155 (112MM)	028-13962-000
	O-RING 2 -158 (124MM)	028-13603-000
	O-RING 2 -161 (136MM & 145MM)	028-13851-000
43	COVER, DISCHARGE (112MM)	064-49123-000
	COVER, DISCHARGE (124MM)	064-49126-000
	COVER, DISCHARGE (136MM)	064-48990-000
	COVER, DISCHARGE (145MM)	064-49005-000
44	GASKET, 1 1/2" (112MM)	028-13862-000
	GASKET, 2" (124MM)	028-13902-000
	GASKET, 3" (136MM & 145MM)	028-13863-000
45	PLATE, VALVE COVER (112MM)	064-49010-000
	PLATE, VALVE COVER (124MM)	064-49379-000
	PLATE, VALVE COVER (136MM & 145MM)	064-49008-000
46	SCREW, SOCKET HD. CAP - M12 X 30MM LONG	021-30148-000
	SCREW, SOCKET HD. CAP - M12 X 25MM LONG	021-30148-000
	SCREW, SOCKET HD. CAP - M12 X 25MM LONG (124MM-145MM)	028-13963-000
47	PLUG, ECONOMIZER (112MM)	064-49506-000
	PLUG, ECONOMIZER (124MM)	064-50004-000
	PLUG, ECONOMIZER (136MM & 145MM)	064-50003-000
48	GASKET, 1 1/2" (112MM)	028-13948-000
	O-RING 2 - 136 (124MM)	028-13863-000
	O-RING 2 - 139 (136MM & 145MM)	028-13963-000
49	HEATER, 180 WATTS (112MM)	025-34511-000
	HEATER, 350 WATTS (124MM-145MM)	025-32938-000

ITEM	REF.	DESCRIPTION	5 GALLON
OIL ^S	R-22	Oil, Type 'L' (Synthetic)	011-00592-000
	R-407C		

^S = Recommended Spare Parts

COMPRESSOR (CONT'D)



LD05265b

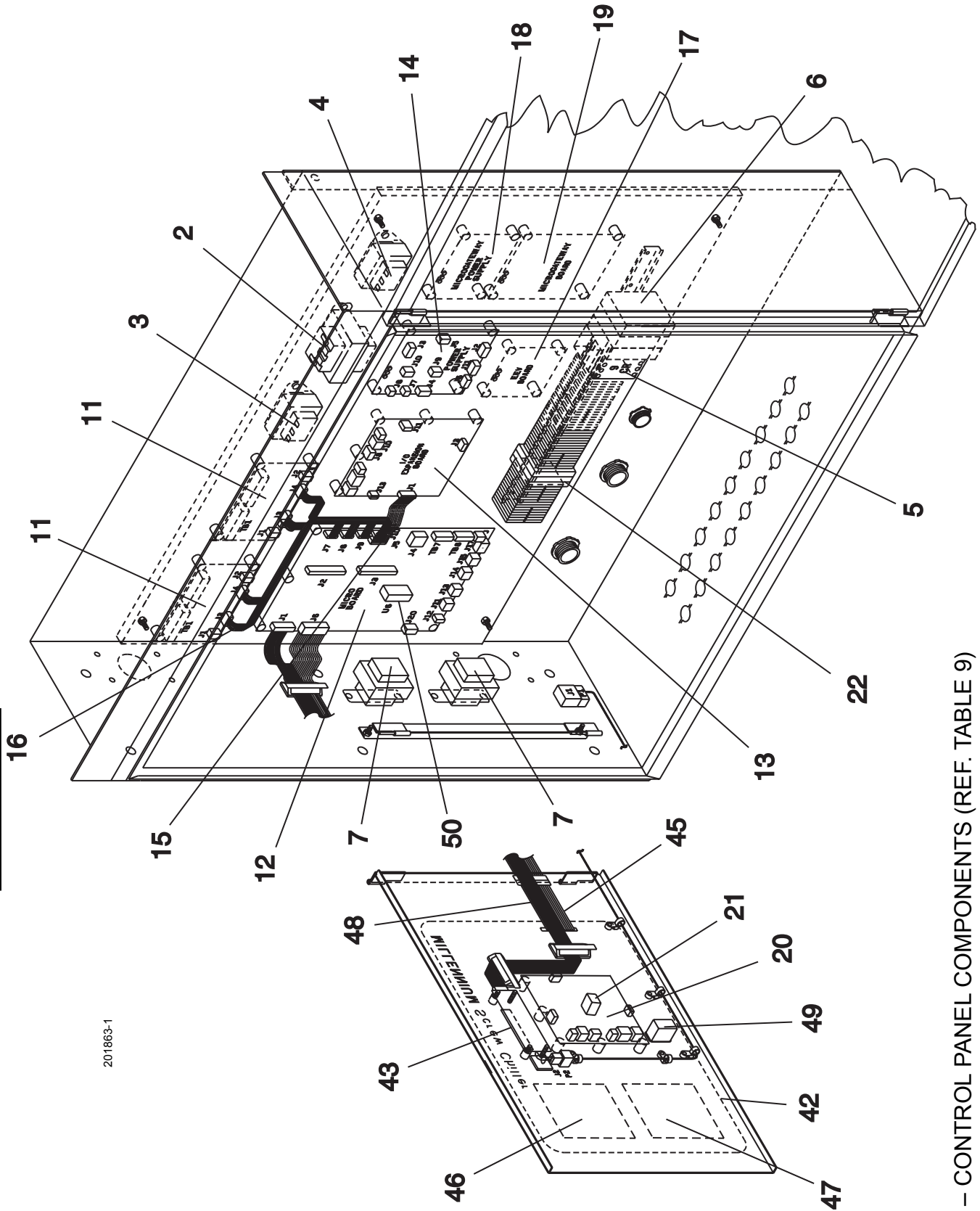
Compressor

FIG. 7 – COMPRESSOR AND CONTROL COMPONENTS (REF. TABLE 8)

TABLE 8 – COMPRESSOR STOP VALVES AND GASKETS (SEE FIG. 7)

COMPRESSOR	LOCATION	DESCRIPTION	VALVE (A)	GASKET (B)
112MM	Suction	Stop Valve - 2 5/8"	022-09777-001	028-13863-000
	Discharge	Stop Valve - 1 3/8"	022-03727-002	028-13862-000
124MM	Suction	Stop Valve - 2 5/8"	022-09777-001	028-13863-000
	Discharge	Stop Valve - 2 1/8"	022-01393-001	028-13902-000
	Economizer	Stop Valve - 1 3/8"	022-03727-002	028-13862-000
136MM	Suction	Stop Valve - 3 5/8"	022-02845-001	028-13864-000
	Discharge	Stop Valve - 2 5/8"	022-09777-001	028-13863-000
	Economizer	Stop Valve - 1 3/8"	022-03727-002	028-13862-000
145MM	Suction	Stop Valve - 3 5/8"	022-02845-001	028-13864-000
	Discharge	Stop Valve - 2 5/8"	022-09777-001	028-13863-000
	Economizer	Stop Valve - 1 3/8"	022-03727-002	028-13862-000

CONTROL PANEL COMPONENTS



Control Panel

201863-1

FIG. 8 – CONTROL PANEL COMPONENTS (REF. TABLE 9)

CONTROL PANEL COMPONENTS (CONT'D)

TABLE 9 – CONTROL PANEL COMPONENTS (SEE FIG. 8)

ITEM NO.	QTY	DESCRIPTION	PART NUMBER
2	1	Transformer, CL-2	025-37679-000
3	1	Transformer, 40VA 240-24V	025-18452-000
4	2	Transformer ,Control	025-30889-000
5	1	Control Relay	024-31635-000
6	3	Mini Circuit Breaker 240	025-34438-000
7	2	Transformer, CL-2	025-37679-000
11	2	Relay Control Board	031-01093-000
12 ^S	1	Micro Board	031-01095-002
13	1	I/O Expansion Board	031-01781-001
14	1	Power Supply Board	031-01094-000
15	1	RIBBON CABLE ASSEMBLY	071-02253-254
16	4	RIBBON CABLE ASSEMBLY	071-02253-252
17	1	EEV Board	031-02092-000
18	1	Micro-Gateway Power Supply Board (Optional)	031-02043-000
19	1	Micro-Gateway Board (Optional)	031-02039-000
20	1	SMART I/O Expansion Board	031-01793-001
21	1	EPROM (Use w/ SMART I/O Expansion Board)	031-02018-001
22	3	Ground Terminals	025-35615-000
42	1	Keypad (English)	024-30910-000
43	1	DISPLAY	031-02100-000
45	1	RIBBON CABLE ASSEMBLY	071-02253-251
46	1	Current Reset Kit (Optional)	371-02590-101
47	1	Temperature Reset Kit (Optional)	371-02590-102
48	1	RIBBON CABLE ASSEMBLY	071-02253-253
49	1	On/Off Switch	024-25517-000
50 ^S	1	EPROM	031-01798-001

^S = Recommended Spare Parts

OPTION AND POWER PANEL CONFIGURATIONS

Power panels and option panels are offered in several different configurations using three (3) major components:

1. TERMINAL BLOCKS
2. CIRCUIT BREAKERS
3. NON-FUSED DISCONNECT SWITCHES

The most basic chiller power wiring configuration uses TERMINAL BLOCKS in the power panels, and an options panel with no power wire termination hardware. See figures on previous page. The model pin number locations 16 and 17 would be X and X to reflect this basic combination. Identify model pin number locations 16 and 17 to identify the chiller power wiring connections and hardware listed below.

PIN 16 & 17 LETTER CODE IDENTIFIERS		OPTION PANEL AND POWER PANEL CONFIGURATIONS
X	X	Multiple Point Supply Terminal Block (Standard)
M	B	Multiple Point Supply Circuit Breakers
M	D	Multiple Point Supply Non-Fused Disconnect Switches
S	X	Single Point Supply Terminal Block w/ Separate System Terminal Blocks
B	X	Single Point Supply Circuit Breaker w/ Separate System Terminal Blocks
S	D	Single Point Supply Non-Fused Disconnect Switch w/ Separate System Terminal Blocks
C	S	Single Point Supply Circuit Breaker w/ Separate System Non-Fused Disconnect Switch
S	S	Single Point Supply Terminal Block w/ Separate System Non-Fused Disconnect Switch
S	B	Single Point Supply Terminal Block w/ Separate System Circuit Breakers
D	B	Single Point Supply Non-Fused Disconnect Switch w/ Separate System Circuit Breakers

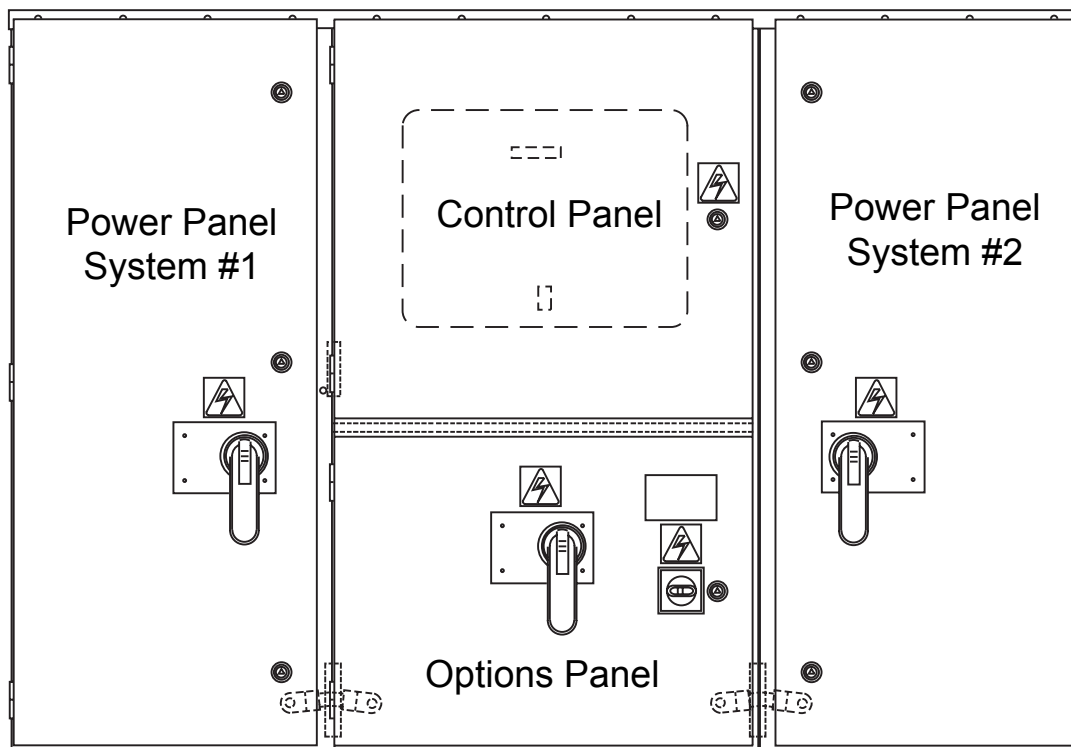
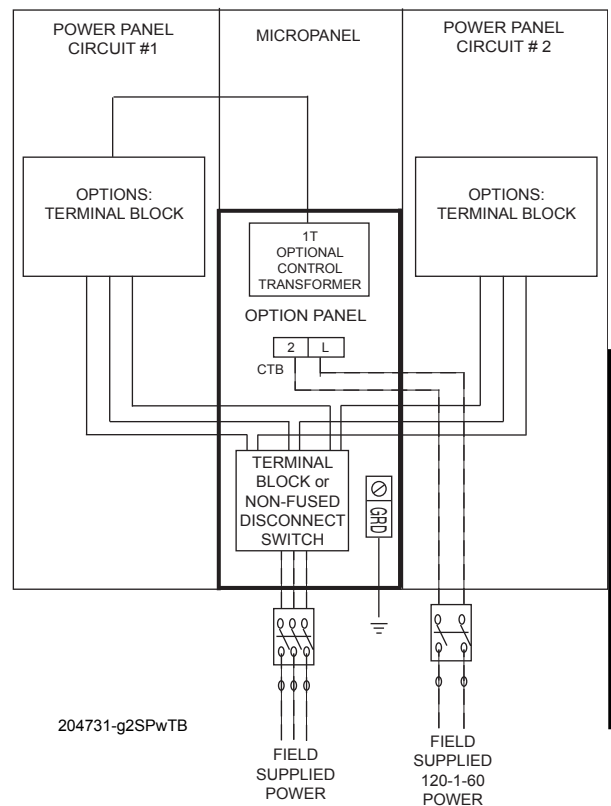
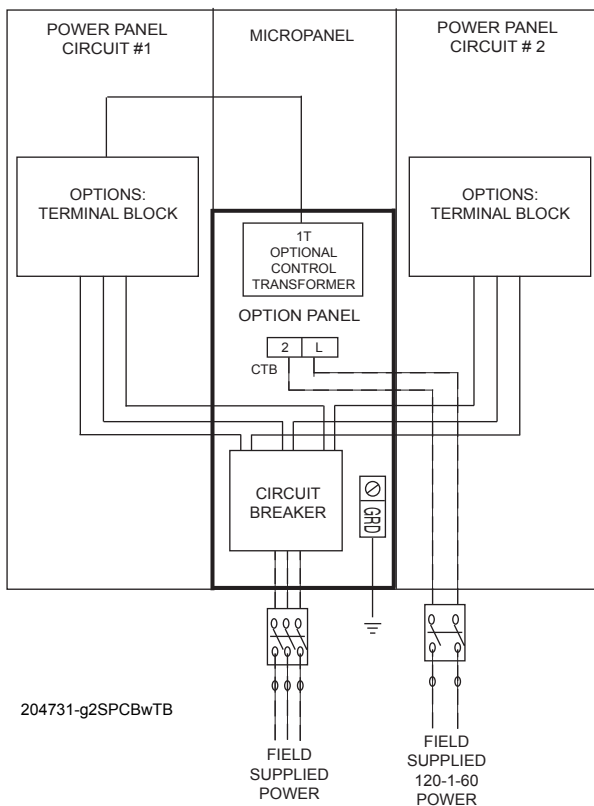
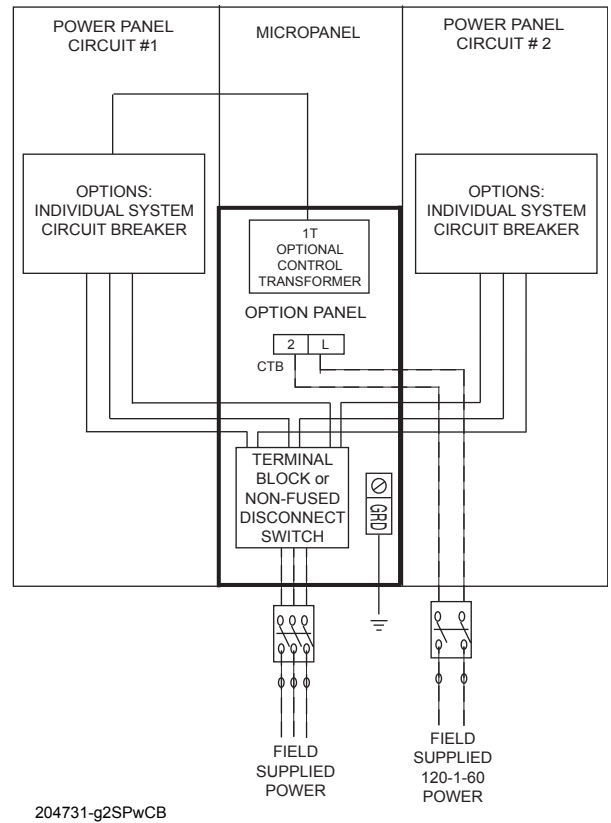
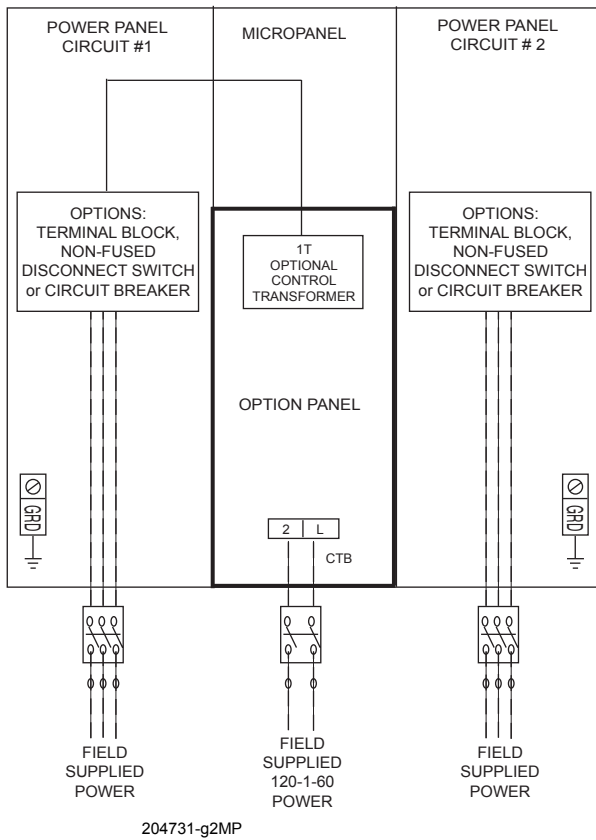


FIG. 9 – CONTROL, OPTIONS AND POWER PANELS LAYOUT

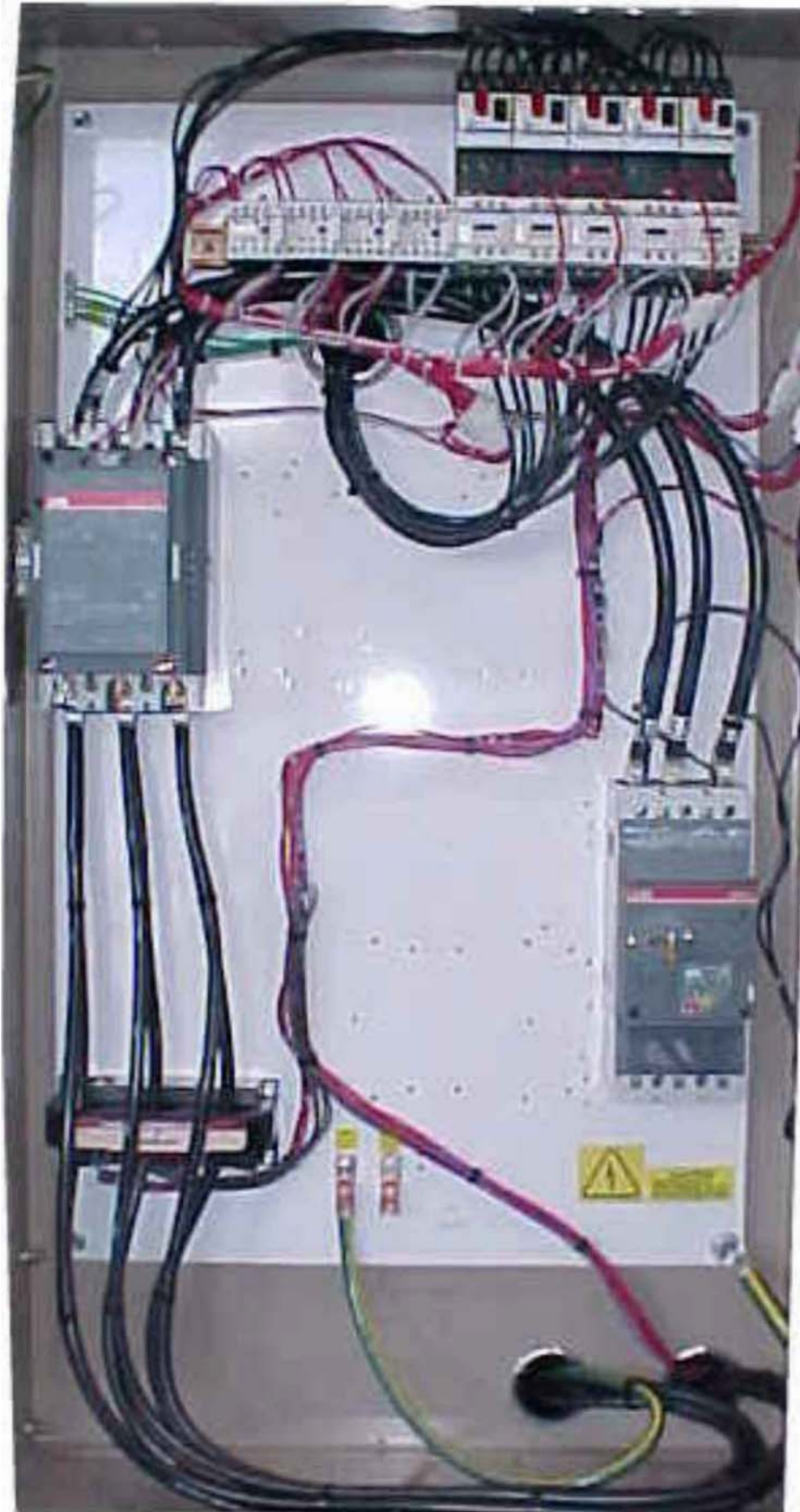
OPTION AND POWER PANEL CONFIGURATIONS (CONT'D)



Option & Power Panel

FIG. 10 – EXAMPLES OF POWER WIRING CONFIGURATIONS (2-COMPRESSOR UNITS)

POWER PANEL COMPONENTS



Option & Power Panel

FIG. 11 – ACROSS-THE-LINE POWER PANEL

POWER PANEL COMPONENTS (CONT'D)

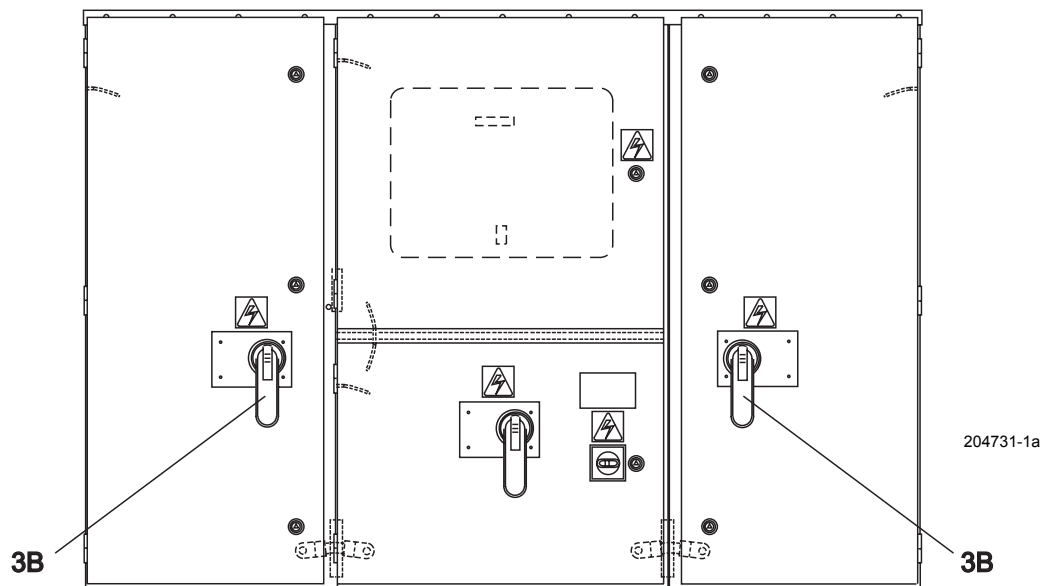
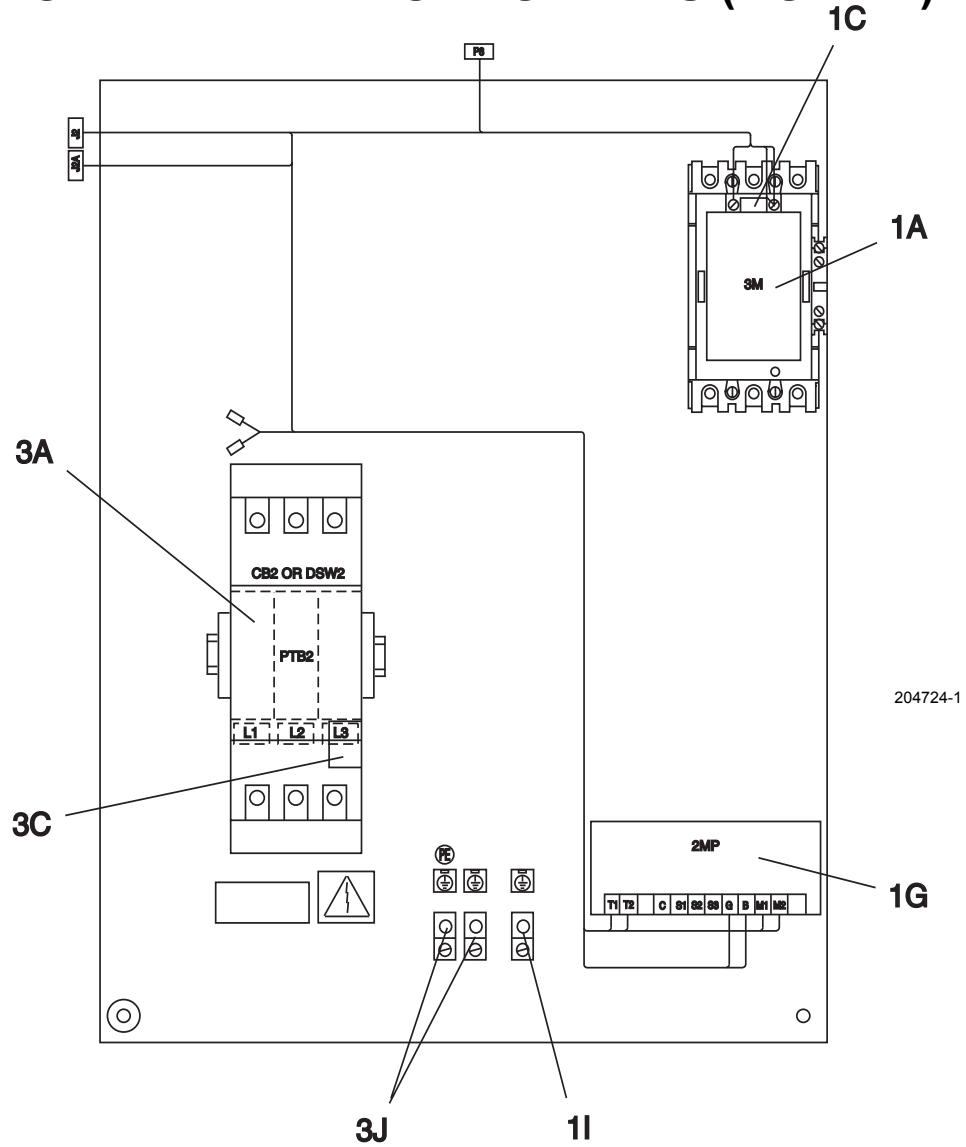


FIG. 11a – ACROSS-THE-LINE POWER PANEL COMPONENTS (REF. TABLE 12)

POWER PANEL COMPONENTS



Option & Power Panel

FIG. 12 – WYE DELTA POWER PANEL

POWER PANEL COMPONENTS (CONT'D)

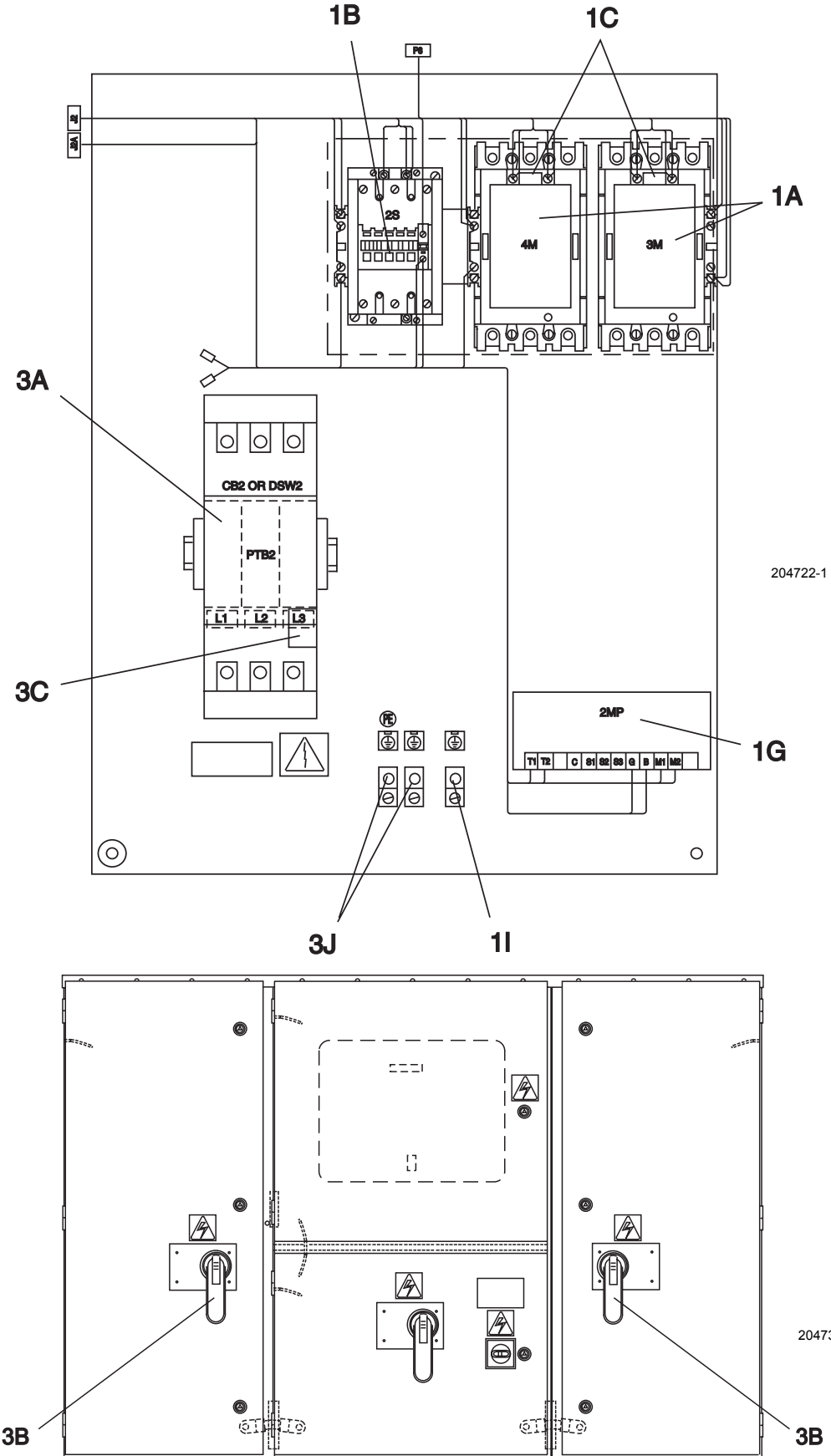
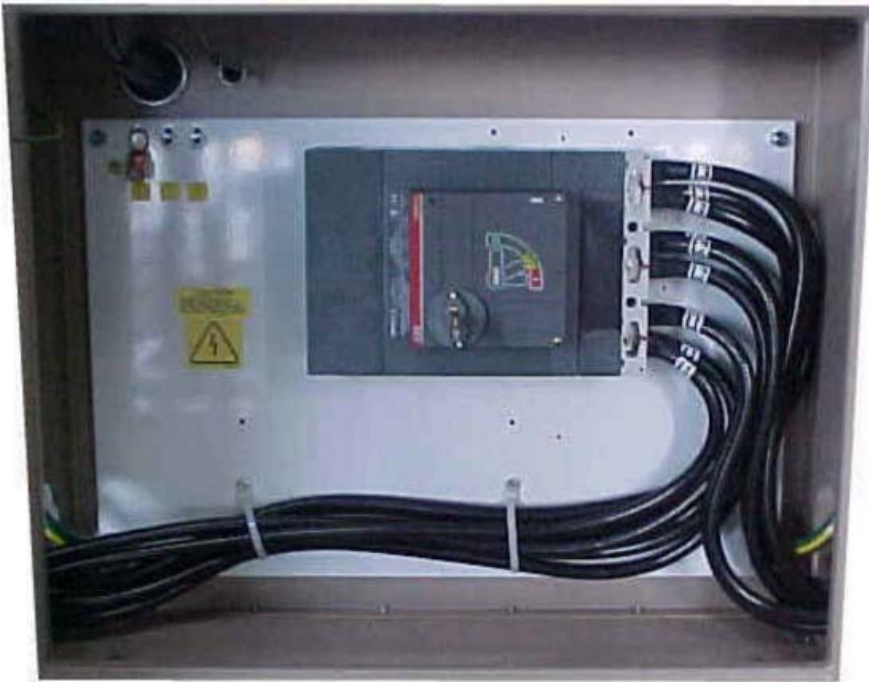


FIG. 12a – WYE DELTA POWER PANEL COMPONENTS (REF. TABLE 13)

OPTIONS PANEL COMPONENTS



OptionPanel1

***OPTIONS PANEL:**
Single Point Circuit Breaker or Non-Fused Disconnect Switch.



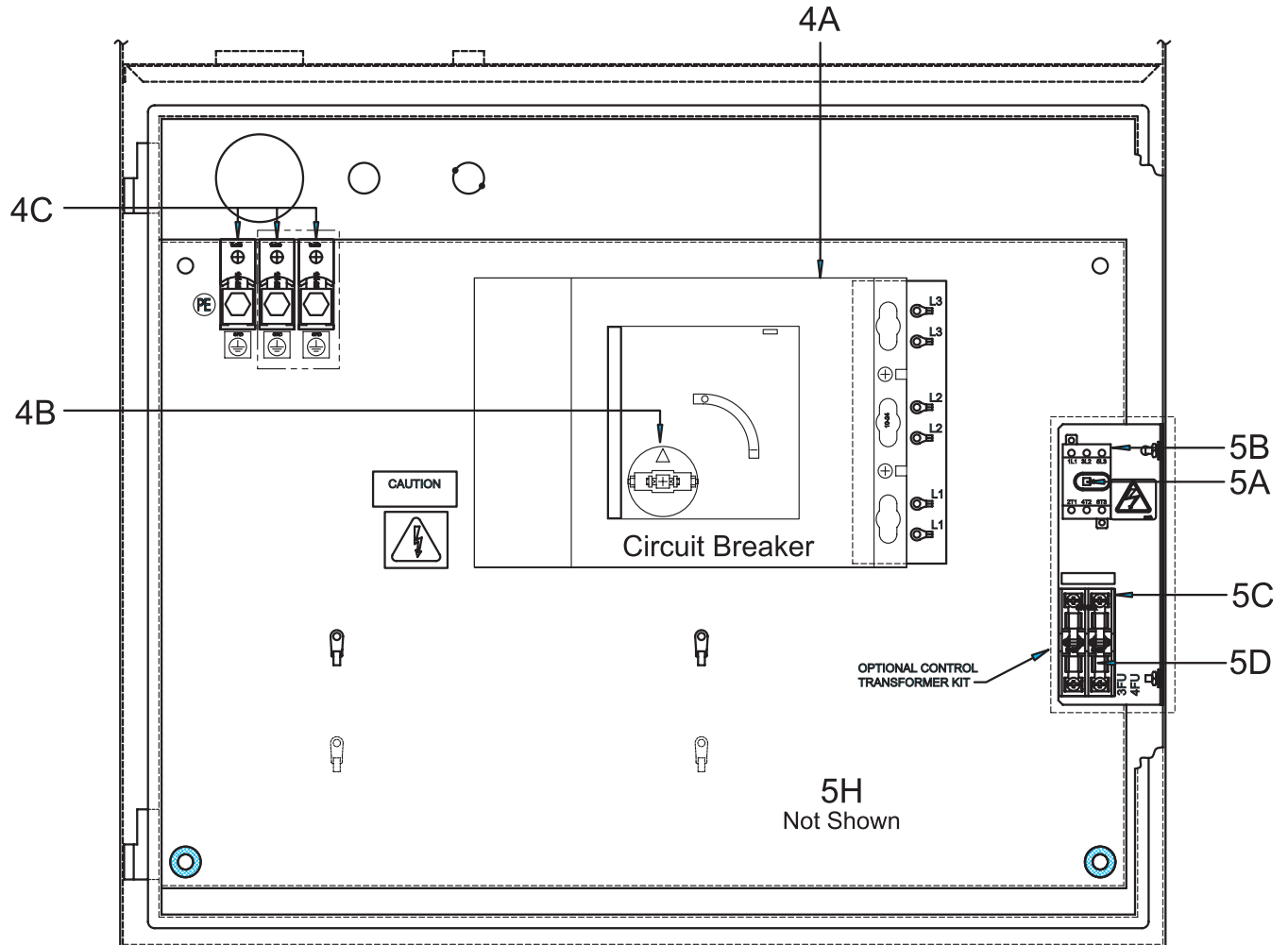
OptionPanel2

***OPTIONS PANEL:**
Single Point Terminal Block.

Option & Power Panel

FIG. 13 – OPTIONS PANEL CONFIGURATIONS

OPTIONS PANEL COMPONENTS (CONT'D)



204728-CB

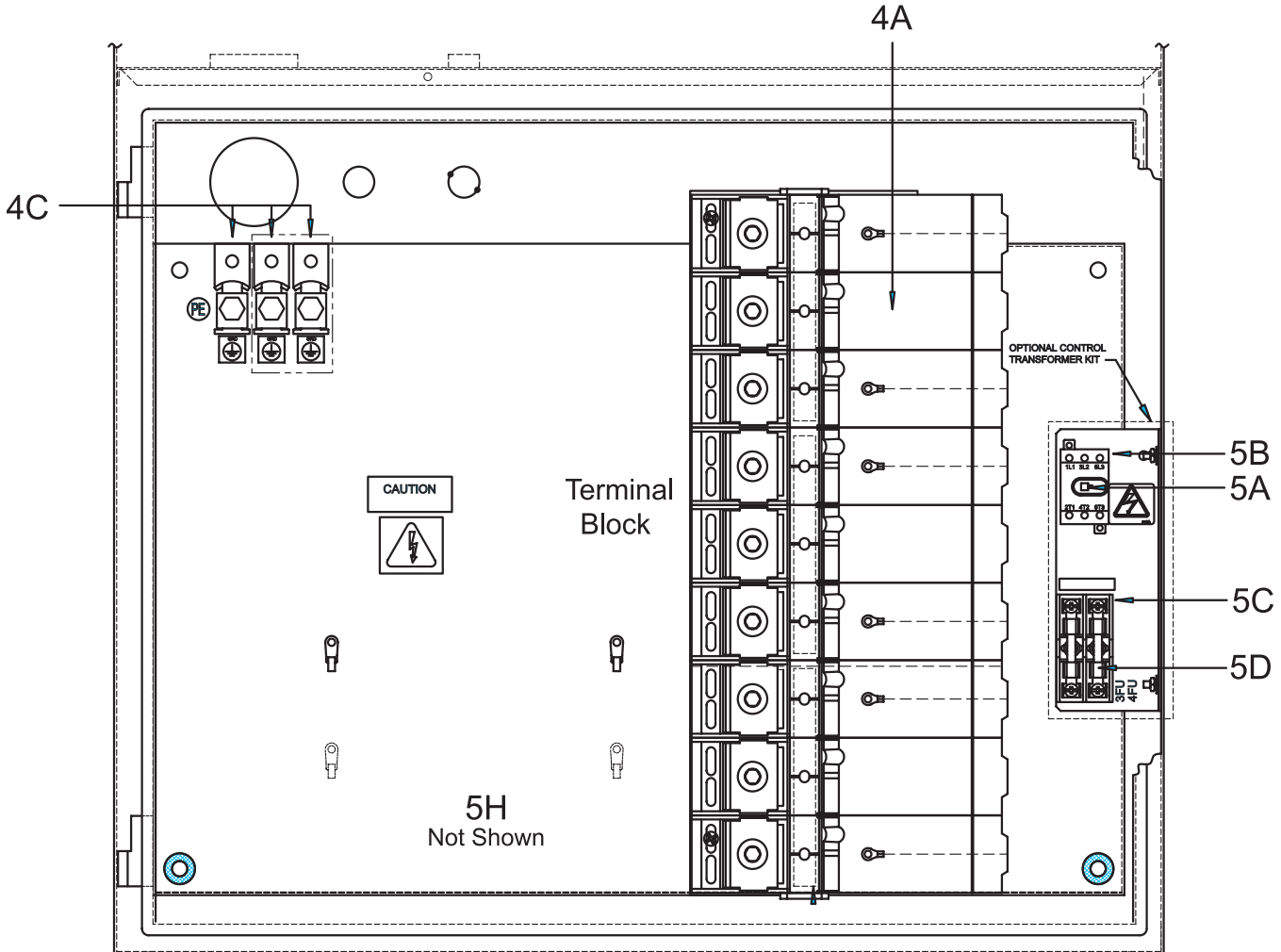
FIG. 13a – SINGLE POINT CIRCUIT BREAKER OR NON-FUSED DISCONNECT SWITCH OPTIONS PANEL COMPONENTS (REF. TABLES 10, 12 AND 13)

TABLE 10 – STANDARD CONTROL TRANSFORMER (SEE FIG. 13A)

Item	Qty	Voltage Code	Description	Part Number
5A	1	All	Handle	024-31832-000
5B	1	All	Switch	024-31833-000
5C	1	50	Fuse Block	025-34427-000
	1	17,28,40,46 & 58		025-35667-000
5D	2	17	Fuse	025-34433-000
	2	28		025-34428-000
	2	40		025-34435-000
	2	46		025-34430-000
	2	58		025-34431-000
5H	1	17,40 & 50	Control Transformer (On Back of Panel)	025-34483-000
	1	28 & 46	Control Transformer (On Back of Panel)	025-37605-000
	1	58	Control Transformer (On Back of Panel)	025-37633-000

Option & Power Panel

OPTIONS PANEL COMPONENTS



201778-TB

FIG. 13b – SINGLE POINT TERMINAL BLOCK OPTIONS PANEL COMPONENTS
(REF. TABLE 11, 12 AND 13)

TABLE 11 – STANDARD CONTROL TRANSFORMER (SEE FIG. 13B)

Item	Qty	Voltage Code	Description	Part Number
5A	1	All	Handle	024-31832-000
5B	1	All	Switch	024-31833-000
5C	1	50	Fuse Block	025-34427-000
	1	17,28,40,46 & 58		025-35667-000
5D	2	17	Fuse	025-34433-000
	2	28		025-34428-000
	2	40		025-34435-000
	2	46		025-34430-000
	2	58		025-34431-000
5H	1	17,40 & 50	Control Transformer (On Back of Panel)	025-34483-000
	1	28 & 46	Control Transformer (On Back of Panel)	025-37605-000
	1	58	Control Transformer (On Back of Panel)	025-37633-000

OPTIONS AND POWER PANEL COMPONENTS

CIRCUIT BREAKER AND NON-FUSED DISCONNECT SWITCH LUG KITS TABLE

Circuit Breakers		Wire Size	YORK Lug Kit Part Number
024-31852-000	S3H035TW	#14AWG-#2 AWG	025-34477-000
024-31837-000	S3H040TW		
024-31838-000	S3H050TW		
024-31839-000	S3H060TW		
024-31840-000	S3H070TW	#14AWG-#1/0 AWG	025-34478-000
024-31841-000	S3H080TW		
024-31842-000	S3H090TW		
024-31843-000	S3H100TW		
024-31844-000	S3H125TW	(1) 2-4/0 AWG	025-34479-000
024-31649-000	S3H150TW		
024-31820-000	S3H175TW	#14AWG-300KCMIL AWG	025-34480-000
024-31851-000	S3H200TW		
024-31819-000	S3H225TW		
025-34419-000	S4H250BW	#6AWG-350KCMIL AWG	025-34418-000
024-34424-000	S5H400BW	(1) 250-500KCMIL AWG	025-34481-000
024-34425-000	S6H600BW	(2) 250KCMIL AWG	025-34414-000
024-34473-000	S6H800BW	(2) 250KCMIL AWG	025-34414-000
Non-Fused Disconnect Switch			
		Wire Size	YORK Part Number
024-31888-000	S3H150DW	(1) 2-4/0 AWG	025-34479-000
024-31871-000	S3B225DW	#14AWG-300KCMIL AWG	025-34480-000
024-30963-000	S4H250DW	#6AWG-350KCMIL AWG	025-34418-000
024-30964-000	S5H400DW	(1) 250-500KCMIL AWG	025-34481-000
024-30965-000	S6H600DW	(2) 250KCMIL AWG	025-34414-000

OPTIONS AND POWER PANEL COMPONENTS (CONT'D)

TABLE 12 – ACROSS-THE-LINE POWER PANEL COMPONENTS - MODEL YCAS0098-40 (SEE FIGS. 9-13, PAGES 30-36)

YCAS0098-40												
Item	Qty	Description	371-04115-104 XX*	371-04115-204 MB*	371-04115-304 MD*	371-04115-754 SX*	371-04115-604 BX*	371-04115-704 SD*	371-04115-804 CS*	371-04115-904 SS*	371-04115-404 SB*	371-04115-504 DB*
1A	1	Compressor Contactor (System 1)	024-31110-000	024-31110-000	024-31110-000	024-31110-000	024-31110-000	024-31110-000	024-31110-000	024-31110-000	024-31110-000	024-31110-000
	1	Compressor Contactor (System 2)	024-31110-000	024-31110-000	024-31110-000	024-31110-000	024-31110-000	024-31110-000	024-31110-000	024-31110-000	024-31110-000	024-31110-000
1C	2	Surge Suppressor	031-02203-000	031-02203-000	031-02203-000	031-02203-000	031-02203-000	031-02203-000	031-02203-000	031-02203-000	031-02203-000	031-02203-000
	2	Motor Protector	024-30907-000	024-30907-000	024-30907-000	024-30907-000	024-30907-000	024-30907-000	024-30907-000	024-30907-000	024-30907-000	024-30907-000
1I	2	Ground Lug	025-34088-000	025-34088-000	025-34088-000	025-34088-000	025-34088-000	025-34088-000	025-34088-000	025-34088-000	025-34088-000	025-34088-000
	3	Terminal Block (System 1)	025-38363-000	N/A	N/A	N/A	N/A	N/A	N/A	N/A	N/A	N/A
3A	3	Terminal Block (System 2)	025-38363-000	N/A	N/A	N/A	N/A	N/A	N/A	N/A	N/A	N/A
	1	Circuit Breaker (System 1)	N/A	024-31649-000	N/A	N/A	N/A	N/A	N/A	N/A	024-31649-000	024-31649-000
3B	1	Circuit Breaker (System 2)	N/A	024-31649-000	N/A	N/A	N/A	N/A	N/A	N/A	024-31649-000	024-31649-000
	1	NF Disconnect Switch (System 1)	N/A	N/A	024-31888-000	N/A	N/A	N/A	024-31888-000	024-31888-000	N/A	N/A
3C	1	NF Disconnect Switch (System 2)	N/A	N/A	024-31888-000	N/A	N/A	N/A	024-31888-000	024-31888-000	N/A	N/A
	2	MP Handle (CB & NFDS)	N/A	025-35697-000	025-35697-000	N/A	N/A	N/A	025-35697-000	025-35697-000	025-35697-000	025-35697-000
3J	2	MP Shaft (CB & NFDS)	N/A	025-35696-000	025-35696-000	N/A	N/A	N/A	025-35696-000	025-35696-000	025-35696-000	025-35696-000
	2	Auxiliary Switch	N/A	024-31646-000	024-31646-000	N/A	N/A	N/A	024-31646-000	024-31646-000	024-31646-000	024-31646-000
4A	2	MP Ground Lug	025-34088-000	025-34088-000	025-34088-000	N/A	N/A	N/A	025-34088-000	025-34088-000	025-34088-000	025-34088-000
	1	Single Point TB	N/A	N/A	N/A	025-38364-000	N/A	N/A	N/A	025-38364-000	025-38364-000	N/A
4B	1	Single Point CB	N/A	N/A	N/A	N/A	025-34419-000	N/A	025-34419-000	N/A	N/A	N/A
	1	Single Point NFDS	N/A	N/A	N/A	N/A	N/A	024-30963-000	N/A	N/A	N/A	024-30963-000
4C	1	SP Handle (CB & NFDS)	N/A	N/A	N/A	N/A	025-35697-000	025-35697-000	025-35697-000	N/A	N/A	025-35697-000
	1	SP Shaft (CB & NFDS)	N/A	N/A	N/A	N/A	025-35696-000	025-35696-000	025-35696-000	N/A	N/A	025-35696-000
4C	1	SP Ground Lug	N/A	N/A	N/A	025-34089-000	025-34089-000	025-34089-000	025-34089-000	025-34089-000	025-34089-000	025-34089-000

S Recommended Spare Part

***Service Note:**

Locate the PANEL NUMBER sticker on the upper right hand corner of the power panel, then refer to the appropriate parts list for that number. Or, identify PIN number positions 16 and 17 on unit identification plate (See example on Page 4) then compare to table at right for power configuration options.

XX*	Multi Point supply TB	SD*	Single Point supply NFDS w/ Separate System TBs
MB*	Multi Point supply CBs	CS*	Single Point supply CB w/ Separate System NFDSs
MD*	Multi Point supply NFDSs	SS*	Single Point supply TB w/ Separate System NFDSs
SX*	Single Point supply TB w/ Separate System TBs	SB*	Single Point TB supply w/ Separate System CBs
BX*	Single Point supply CB w/ Separate System TBs	DB*	Single Point NFDS supply w/ Separate System CBs

OPTIONS AND POWER PANEL COMPONENTS (CONT'D)

TABLE 12 – ACROSS-THE-LINE POWER PANEL COMPONENTS - MODEL YCAS0098-46 (SEE FIGS. 9-13, PAGES 30-36)

YCAS0098-46												
Item	Qty	Description	371-04115-101 XX*	371-04115-201 MB*	371-04115-301 MD*	371-04115-751 SX*	371-04115-601 BX*	371-04115-701 SD*	371-04115-801 CS*	371-04115-901 SS*	371-04115-401 SB*	371-04115-501 DB*
1A	1	Compressor Contactor (System 1)	024-31109-000	024-31109-000	024-31109-000	024-31109-000	024-31109-000	024-31109-000	024-31109-000	024-31109-000	024-31109-000	024-31109-000
	1	Compressor Contactor (System 2)	024-31109-000	024-31109-000	024-31109-000	024-31109-000	024-31109-000	024-31109-000	024-31109-000	024-31109-000	024-31109-000	024-31109-000
1C	2	Surge Suppressor	031-02203-000	031-02203-000	031-02203-000	031-02203-000	031-02203-000	031-02203-000	031-02203-000	031-02203-000	031-02203-000	031-02203-000
	2	Motor Protector	024-30907-000	024-30907-000	024-30907-000	024-30907-000	024-30907-000	024-30907-000	024-30907-000	024-30907-000	024-30907-000	024-30907-000
1I	2	Ground Lug	025-34088-000	025-34088-000	025-34088-000	025-34088-000	025-34088-000	025-34088-000	025-34088-000	025-34088-000	025-34088-000	025-34088-000
	3	Terminal Block (System 1)	025-38358-000	N/A	N/A	N/A	N/A	N/A	N/A	N/A	N/A	N/A
3A	3	Terminal Block (System 2)	025-38358-000	N/A	N/A	N/A	N/A	N/A	N/A	N/A	N/A	N/A
	1	Circuit Breaker (System 1)	N/A	024-31649-000	N/A	N/A	N/A	N/A	N/A	N/A	024-31649-000	024-31649-000
3B	1	Circuit Breaker (System 2)	N/A	024-31649-000	N/A	N/A	N/A	N/A	N/A	N/A	024-31649-000	024-31649-000
	1	NF Disconnect Switch (System 1)	N/A	N/A	024-31888-000	N/A	N/A	N/A	024-31888-000	024-31888-000	N/A	N/A
3C	1	NF Disconnect Switch (System 2)	N/A	N/A	024-31888-000	N/A	N/A	N/A	024-31888-000	024-31888-000	N/A	N/A
	2	MP Handle (CB & NFDS)	N/A	025-35697-000	025-35697-000	N/A	N/A	N/A	025-35697-000	025-35697-000	025-35697-000	025-35697-000
3J	2	MP Shaft (CB & NFDS)	N/A	025-35696-000	025-35696-000	N/A	N/A	N/A	025-35696-000	025-35696-000	025-35696-000	025-35696-000
	2	Auxiliary Switch	N/A	024-31646-000	024-31646-000	N/A	N/A	N/A	024-31646-000	024-31646-000	024-31646-000	024-31646-000
4A	2	MP Ground Lug	025-34088-000	025-34088-000	025-34088-000	N/A	N/A	N/A	025-34088-000	025-34088-000	025-34088-000	025-34088-000
	1	Single Point TB	N/A	N/A	N/A	025-38364-000	N/A	N/A	N/A	025-38364-000	025-38364-000	N/A
4B	1	Single Point CB	N/A	N/A	N/A	N/A	025-34419-000	N/A	025-34419-000	N/A	N/A	N/A
	1	Single Point NFDS	N/A	N/A	N/A	N/A	N/A	024-30963-000	N/A	N/A	N/A	024-30963-000
4C	1	SP Handle (CB & NFDS)	N/A	N/A	N/A	N/A	025-35697-000	025-35697-000	025-35697-000	N/A	N/A	025-35697-000
	1	SP Shaft (CB & NFDS)	N/A	N/A	N/A	N/A	025-35696-000	025-35696-000	025-35696-000	N/A	N/A	025-35696-000
4C	1	SP Ground Lug	N/A	N/A	N/A	025-34089-000	025-34089-000	025-34089-000	025-34089-000	025-34089-000	025-34089-000	025-34089-000

XX*	Multi Point supply TB	SD*	Single Point supply NFDS w/ Separate System TBs
MB*	Multi Point supply CBs <td>CS*</td> <td>Single Point supply CB w/ Separate System NFDSs</td>	CS*	Single Point supply CB w/ Separate System NFDSs
MD*	Multi Point supply NFDSs <td>SS*</td> <td>Single Point supply TB w/ Separate System NFDSs</td>	SS*	Single Point supply TB w/ Separate System NFDSs
SX*	Single Point supply TB w/ Separate System TBs <td>SB*</td> <td>Single Point TB supply w/ Separate System CBs</td>	SB*	Single Point TB supply w/ Separate System CBs
BX*	Single Point supply CB w/ Separate System TBs <td>DB*</td> <td>Single Point NFDS supply w/ Separate System CBs</td>	DB*	Single Point NFDS supply w/ Separate System CBs

S Recommended Spare Part
***Service Note:**
 Locate the PANEL NUMBER sticker on the upper right hand corner of the power panel, then refer to the appropriate parts list for that number. Or, identify PIN number positions 16 and 17 on unit identification plate (See example on Page 4) then compare to table at right for power configuration options.



OPTIONS AND POWER PANEL COMPONENTS (CONT'D)

TABLE 12 – ACROSS-THE-LINE POWER PANEL COMPONENTS - MODEL YCAS0098-58 (SEE FIGS. 9-13, PAGES 30-36)

YCAS0098-58												
Item	Qty	Description	371-04115-100 XX*	371-04115-200 MB*	371-04115-300 MD*	371-04115-750 SX*	371-04115-600 BX*	371-04115-700 SD*	371-04115-800 CS*	371-04115-900 SS*	371-04115-400 SB*	371-04115-500 DB*
1A	1	Compressor Contactor (System 1)	024-31640-000	024-31640-000	024-31640-000	024-31640-000	024-31640-000	024-31640-000	024-31640-000	024-31640-000	024-31640-000	024-31640-000
	1	Compressor Contactor (System 2)	024-31640-000	024-31640-000	024-31640-000	024-31640-000	024-31640-000	024-31640-000	024-31640-000	024-31640-000	024-31640-000	024-31640-000
1C	2	Surge Suppressor	031-02203-000	031-02203-000	031-02203-000	031-02203-000	031-02203-000	031-02203-000	031-02203-000	031-02203-000	031-02203-000	031-02203-000
1G\$	2	Motor Protector	024-30907-000	024-30907-000	024-30907-000	024-30907-000	024-30907-000	024-30907-000	024-30907-000	024-30907-000	024-30907-000	024-30907-000
1I	2	Ground Lug	025-34088-000	025-34088-000	025-34088-000	025-34088-000	025-34088-000	025-34088-000	025-34088-000	025-34088-000	025-34088-000	025-34088-000
3A	3	Terminal Block (System 1)	025-38358-000	N/A	N/A	N/A	N/A	N/A	N/A	N/A	N/A	N/A
	3	Terminal Block (System 2)	025-38358-000	N/A	N/A	N/A	N/A	N/A	N/A	N/A	N/A	N/A
	1	Circuit Breaker (System 1)	N/A	024-31843-000	N/A	N/A	N/A	N/A	N/A	N/A	024-31843-000	024-31843-000
3B	1	Circuit Breaker (System 2)	N/A	024-31843-000	N/A	N/A	N/A	N/A	N/A	N/A	024-31843-000	024-31843-000
	1	NF Disconnect Switch (System 1)	N/A	N/A	024-31888-000	N/A	N/A	N/A	024-31888-000	024-31888-000	N/A	N/A
3C	1	NF Disconnect Switch (System 2)	N/A	N/A	024-31888-000	N/A	N/A	N/A	024-31888-000	024-31888-000	N/A	N/A
	2	MP Handle (CB & NFDS)	N/A	025-35697-000	025-35697-000	N/A	N/A	N/A	025-35697-000	025-35697-000	025-35697-000	025-35697-000
3D	2	MP Shaft (CB & NFDS)	N/A	025-35696-000	025-35696-000	N/A	N/A	N/A	025-35696-000	025-35696-000	025-35696-000	025-35696-000
	2	Auxiliary Switch	N/A	024-31646-000	024-31646-000	N/A	N/A	N/A	024-31646-000	024-31646-000	024-31646-000	024-31646-000
3E	2	MP Ground Lug	025-34088-000	025-34088-000	025-34088-000	N/A	N/A	N/A	025-34088-000	025-34088-000	025-34088-000	025-34088-000
	1	Single Point TB	N/A	N/A	N/A	025-38364-000	N/A	N/A	N/A	025-38364-000	025-38364-000	N/A
4A	1	Single Point CB	N/A	N/A	N/A	N/A	025-34419-000	N/A	025-34419-000	N/A	N/A	N/A
	1	Single Point NFDS	N/A	N/A	N/A	N/A	N/A	024-30963-000	N/A	N/A	N/A	024-30963-000
4B	1	SP Handle (CB & NFDS)	N/A	N/A	N/A	N/A	025-35697-000	025-35697-000	025-35697-000	N/A	N/A	025-35697-000
	1	SP Shaft (CB & NFDS)	N/A	N/A	N/A	N/A	025-35696-000	025-35696-000	025-35696-000	N/A	N/A	025-35696-000
4C	1	SP Ground Lug	N/A	N/A	N/A	025-34089-000	025-34089-000	025-34089-000	025-34089-000	025-34089-000	025-34089-000	025-34089-000

S Recommended Spare Part

***Service Note:**

Locate the PANEL NUMBER sticker on the upper right hand corner of the power panel, then refer to the appropriate parts list for that number. Or, identify PIN number positions 16 and 17 on unit identification plate (See example on Page 4) then compare to table at right for power configuration options.

XX*	Multi Point supply TB	SD*	Single Point supply NFDS w/ Separate System TBs
MB*	Multi Point supply CBs <td>CS*</td> <td>Single Point supply CB w/ Separate System NFDSs</td>	CS*	Single Point supply CB w/ Separate System NFDSs
MD*	Multi Point supply NFDSs <td>SS*</td> <td>Single Point supply TB w/ Separate System NFDSs</td>	SS*	Single Point supply TB w/ Separate System NFDSs
SX*	Single Point supply TB w/ Separate System TBs <td>SB*</td> <td>Single Point TB supply w/ Separate System CBs</td>	SB*	Single Point TB supply w/ Separate System CBs
BX*	Single Point supply CB w/ Separate System TBs <td>DB*</td> <td>Single Point NFDS supply w/ Separate System CBs</td>	DB*	Single Point NFDS supply w/ Separate System CBs

OPTIONS AND POWER PANEL COMPONENTS (CONT'D)

TABLE 12 – ACROSS-THE-LINE POWER PANEL COMPONENTS - MODEL YCAS0118-40 (SEE FIGS. 9-13, PAGES 30-36)

YCAS0118-40												
Item	Qty	Description	371-04115-109 XX*	371-04115-211 MB*	371-04115-309 MD*	371-04115-759 SX*	371-04115-609 BX*	371-04115-709 SD*	371-04115-809 CS*	371-04115-909 SS*	371-04115-413 SB*	371-04115-513 DB*
1A	1	Compressor Contactor (System 1)	024-31892-000	024-31892-000	024-31892-000	024-31892-000	024-31892-000	024-31892-000	024-31892-000	024-31892-000	024-31892-000	024-31892-000
	1	Compressor Contactor (System 2)	024-31891-000	024-31891-000	024-31891-000	024-31891-000	024-31891-000	024-31891-000	024-31891-000	024-31891-000	024-31891-000	024-31891-000
1C	2	Surge Suppressor	031-02203-000	031-02203-000	031-02203-000	031-02203-000	031-02203-000	031-02203-000	031-02203-000	031-02203-000	031-02203-000	031-02203-000
1G\$	2	Motor Protector	024-30907-000	024-30907-000	024-30907-000	024-30907-000	024-30907-000	024-30907-000	024-30907-000	024-30907-000	024-30907-000	024-30907-000
1I	2	Ground Lug	025-34089-000	025-34089-000	025-34089-000	025-34089-000	025-34089-000	025-34089-000	025-34089-000	025-34089-000	025-34089-000	025-34089-000
	3	Terminal Block (System 1)	025-38363-000	N/A	N/A	N/A	N/A	N/A	N/A	N/A	N/A	N/A
3A	3	Terminal Block (System 2)	025-38364-000	N/A	N/A	N/A	N/A	N/A	N/A	N/A	N/A	N/A
	1	Circuit Breaker (System 1)	N/A	024-31819-000	N/A	N/A	N/A	N/A	N/A	N/A	024-31819-000	024-31819-000
3B	1	Circuit Breaker (System 2)	N/A	024-31649-000	N/A	N/A	N/A	N/A	N/A	N/A	024-31649-000	024-31649-000
	1	NF Disconnect Switch (System 1)	N/A	N/A	024-30963-000	N/A	N/A	N/A	024-30963-000	024-30963-000	N/A	N/A
3C	1	NF Disconnect Switch (System 2)	N/A	N/A	024-31888-000	N/A	N/A	N/A	024-31888-000	024-31888-000	N/A	N/A
	2	MP Handle (CB & NFDS)	N/A	025-35697-000	025-35697-000	N/A	N/A	N/A	025-35697-000	025-35697-000	025-35697-000	025-35697-000
3J	2	MP Shaft (CB & NFDS)	N/A	025-35696-000	025-35696-000	N/A	N/A	N/A	025-35696-000	025-35696-000	025-35696-000	025-35696-000
	2	Auxiliary Switch	N/A	024-31646-000	024-31646-000	N/A	N/A	N/A	024-31646-000	024-31646-000	024-31646-000	024-31646-000
4A	1	MP Ground Lug (Sys 1)	025-34088-000	025-34088-000	025-34088-000	N/A	N/A	N/A	025-34088-000	025-34088-000	025-34088-000	025-34088-000
	1	MP Ground Lug (Sys 2)	025-34089-000	025-34088-000	025-34088-000	N/A	N/A	N/A	025-34088-000	025-34088-000	025-34088-000	025-34088-000
4B	1	Single Point TB	N/A	N/A	N/A	025-38370-000	N/A	N/A	N/A	025-38370-000	025-38370-000	N/A
	1	Single Point CB	N/A	N/A	N/A	N/A	025-34424-000	N/A	025-34424-000	N/A	N/A	N/A
4C	1	Single Point NFDS	N/A	N/A	N/A	N/A	N/A	024-30964-000	N/A	N/A	N/A	024-30964-000
	1	SP Handle (CB & NFDS)	N/A	N/A	N/A	N/A	025-35697-000	025-35697-000	025-35697-000	N/A	N/A	025-35697-000
4C	1	SP Shaft (CB & NFDS)	N/A	N/A	N/A	N/A	025-35696-000	025-35696-000	025-35696-000	N/A	N/A	025-35696-000
	1	SP Ground Lug	N/A	N/A	N/A	025-34085-000	025-34089-000	025-34089-000	025-34085-000	025-34085-000	025-34085-000	025-34089-000

XX*	Multi Point supply TB	SD*	Single Point supply NFDS w/ Separate System TBs
MB*	Multi Point supply CBs <td>CS*</td> <td>Single Point supply CB w/ Separate System NFDSs</td>	CS*	Single Point supply CB w/ Separate System NFDSs
MD*	Multi Point supply NFDSs <td>SS*</td> <td>Single Point supply TB w/ Separate System NFDSs</td>	SS*	Single Point supply TB w/ Separate System NFDSs
SX*	Single Point supply TB w/ Separate System TBs <td>SB*</td> <td>Single Point TB supply w/ Separate System CBs</td>	SB*	Single Point TB supply w/ Separate System CBs
BX*	Single Point supply CB w/ Separate System TBs <td>DB*</td> <td>Single Point NFDS supply w/ Separate System CBs</td>	DB*	Single Point NFDS supply w/ Separate System CBs

S Recommended Spare Part
***Service Note:**
 Locate the PANEL NUMBER sticker on the upper right hand corner of the power panel, then refer to the appropriate parts list for that number. Or, identify PIN number positions 16 and 17 on unit identification plate (See example on Page 4) then compare to table at right for power configuration options.



OPTIONS AND POWER PANEL COMPONENTS (CONT'D)

TABLE 12 – ACROSS-THE-LINE POWER PANEL COMPONENTS - MODEL YCAS0118-46 (SEE FIGS. 9-13, PAGES 30-36)

YCAS0118-46												
Item	Qty	Description	371-04115-103 XX*	371-04115-103 MB*	371-04115-203 MD*	371-04115-303 SX*	371-04115-753 BX*	371-04115-603 SD*	371-04115-703 CS*	371-04115-803 SS*	371-04115-903 SB*	371-04115-503 DB*
1A	1	Compressor Contactor (System 1)	024-31891-000	024-31891-000	024-31891-000	024-31891-000	024-31891-000	024-31891-000	024-31891-000	024-31891-000	024-31891-000	024-31891-000
	1	Compressor Contactor (System 2)	024-31109-000	024-31109-000	024-31109-000	024-31109-000	024-31109-000	024-31109-000	024-31109-000	024-31109-000	024-31109-000	024-31109-000
1C	2	Surge Suppressor	031-02203-000	031-02203-000	031-02203-000	031-02203-000	031-02203-000	031-02203-000	031-02203-000	031-02203-000	031-02203-000	031-02203-000
	2	Motor Protector	024-30907-000	024-30907-000	024-30907-000	024-30907-000	024-30907-000	024-30907-000	024-30907-000	024-30907-000	024-30907-000	024-30907-000
1I	1	Ground Lug (System 1)	025-34089-000	025-34089-000	025-34089-000	025-34089-000	025-34089-000	025-34089-000	025-34089-000	025-34089-000	025-34089-000	025-34089-000
	1	Ground Lug (System 2)	025-34088-000	025-34088-000	025-34088-000	025-34088-000	025-34088-000	025-34088-000	025-34088-000	025-34088-000	025-34088-000	025-34088-000
3A	3	Terminal Block (System 1)	025-38363-000	N/A	N/A	N/A	N/A	N/A	N/A	N/A	N/A	N/A
	3	Terminal Block (System 2)	025-38358-000	N/A	N/A	N/A	N/A	N/A	N/A	N/A	N/A	N/A
3B	1	Circuit Breaker (System 1)	N/A	024-31819-000	N/A	N/A	N/A	N/A	N/A	N/A	024-31819-000	024-31819-000
	1	Circuit Breaker (System 2)	N/A	024-31649-000	N/A	N/A	N/A	N/A	N/A	N/A	024-31649-000	024-31649-000
3C	1	NF Disconnect Switch (System 1)	N/A	N/A	N/A	N/A	N/A	N/A	024-31888-000	024-31888-000	N/A	N/A
	1	NF Disconnect Switch (System 2)	N/A	N/A	024-31888-000	N/A	N/A	N/A	024-31888-000	024-31888-000	N/A	N/A
3D	2	MP Handle (CB & NFDS)	N/A	025-35697-000	025-35697-000	N/A	N/A	N/A	025-35697-000	025-35697-000	025-35697-000	025-35697-000
	2	MP Shaft (CB & NFDS)	N/A	025-35696-000	025-35696-000	N/A	N/A	N/A	025-35696-000	025-35696-000	025-35696-000	025-35696-000
3E	2	Auxiliary Switch	N/A	024-31646-000	024-31646-000	N/A	N/A	N/A	024-31646-000	024-31646-000	024-31646-000	024-31646-000
	2	MP Ground Lug	025-34088-000	025-34088-000	025-34088-000	N/A	N/A	N/A	025-34088-000	025-34088-000	025-34088-000	025-34088-000
4A	1	Single Point TB	N/A	N/A	N/A	025-38364-000	N/A	N/A	N/A	025-38364-000	025-38364-000	N/A
	1	Single Point CB	N/A	N/A	N/A	N/A	025-34424-000	N/A	025-34424-000	N/A	N/A	N/A
4B	1	Single Point NFDS	N/A	N/A	N/A	N/A	N/A	024-30963-000	N/A	N/A	N/A	024-30963-000
	1	SP Handle (CB & NFDS)	N/A	N/A	N/A	N/A	025-35697-000	025-35697-000	025-35697-000	N/A	N/A	025-35697-000
4C	1	SP Shaft (CB & NFDS)	N/A	N/A	N/A	N/A	025-35696-000	025-35696-000	025-35696-000	N/A	N/A	025-35696-000
	1	SP Ground Lug	N/A	N/A	N/A	025-34089-000	025-34089-000	025-34089-000	025-34089-000	025-34089-000	025-34089-000	025-34089-000

XX*	Multi Point supply TB	SD*	Single Point supply NFDS w/ Separate System TBs
MB*	Multi Point supply CBs <td>CS*</td> <td>Single Point supply CB w/ Separate System NFDSs</td>	CS*	Single Point supply CB w/ Separate System NFDSs
MD*	Multi Point supply NFDSs <td>SS*</td> <td>Single Point supply TB w/ Separate System NFDSs</td>	SS*	Single Point supply TB w/ Separate System NFDSs
SX*	Single Point supply TB w/ Separate System TBs <td>SB*</td> <td>Single Point TB supply w/ Separate System CBs</td>	SB*	Single Point TB supply w/ Separate System CBs
BX*	Single Point supply CB w/ Separate System TBs <td>DB*</td> <td>Single Point NFDS supply w/ Separate System CBs</td>	DB*	Single Point NFDS supply w/ Separate System CBs

S Recommended Spare Part
***Service Note:**
 Locate the PANEL NUMBER sticker on the upper right hand corner of the power panel, then refer to the appropriate parts list for that number. Or, identify PIN number positions 16 and 17 on unit identification plate (See example on Page 4) then compare to table at right for power configuration options.

OPTIONS AND POWER PANEL COMPONENTS (CONT'D)

TABLE 12 – ACROSS-THE-LINE POWER PANEL COMPONENTS - MODEL YCAS0118-58 (SEE FIGS. 9-13, PAGES 30-36)

YCAS0118-58												
Item	Qty	Description	371-04115-102 XX*	371-04115-202 MB*	371-04115-302 MD*	371-04115-752 SX*	371-04115-602 BX*	371-04115-702 SD*	371-04115-802 CS*	371-04115-902 SS*	371-04115-402 SB*	371-04115-502 DB*
1A	1	Compressor Contactor (System 1)	024-31110-000	024-31110-000	024-31110-000	024-31110-000	024-31110-000	024-31110-000	024-31110-000	024-31110-000	024-31110-000	024-31110-000
	1	Compressor Contactor (System 2)	024-31640-000	024-31640-000	024-31640-000	024-31640-000	024-31640-000	024-31640-000	024-31640-000	024-31640-000	024-31640-000	024-31640-000
1C	2	Surge Suppressor	031-02203-000	031-02203-000	031-02203-000	031-02203-000	031-02203-000	031-02203-000	031-02203-000	031-02203-000	031-02203-000	031-02203-000
1G\$	2	Motor Protector	024-30907-000	024-30907-000	024-30907-000	024-30907-000	024-30907-000	024-30907-000	024-30907-000	024-30907-000	024-30907-000	024-30907-000
	2	Ground Lug	025-34088-000	025-34088-000	025-34088-000	025-34088-000	025-34088-000	025-34088-000	025-34088-000	025-34088-000	025-34088-000	025-34088-000
3A	3	Terminal Block (System 1)	025-38363-000	N/A	N/A	N/A	N/A	N/A	N/A	N/A	N/A	N/A
	3	Terminal Block (System 2)	025-38358-000	N/A	N/A	N/A	N/A	N/A	N/A	N/A	N/A	N/A
	1	Circuit Breaker (System 1)	N/A	024-31649-000	N/A	N/A	N/A	N/A	N/A	N/A	024-31649-000	024-31649-000
3B	1	Circuit Breaker (System 2)	N/A	024-31843-000	N/A	N/A	N/A	N/A	N/A	N/A	024-31843-000	024-31843-000
	1	NF Disconnect Switch (System 1)	N/A	N/A	024-31888-000	N/A	N/A	N/A	024-31888-000	024-31888-000	N/A	N/A
3C	1	NF Disconnect Switch (System 2)	N/A	N/A	024-31888-000	N/A	N/A	N/A	024-31888-000	024-31888-000	N/A	N/A
	2	MP Handle (CB & NFDS)	N/A	025-35697-000	025-35697-000	N/A	N/A	N/A	025-35697-000	025-35697-000	025-35697-000	025-35697-000
3J	2	MP Shaft (CB & NFDS)	N/A	025-35696-000	025-35696-000	N/A	N/A	N/A	025-35696-000	025-35696-000	025-35696-000	025-35696-000
	2	Auxiliary Switch	N/A	024-31646-000	024-31646-000	N/A	N/A	N/A	024-31646-000	024-31646-000	024-31646-000	024-31646-000
4A	2	MP Ground Lug	025-34088-000	025-34088-000	025-34088-000	N/A	N/A	N/A	025-34088-000	025-34088-000	025-34088-000	025-34088-000
	1	Single Point TB	N/A	N/A	N/A	025-38364-000	N/A	N/A	N/A	025-38364-000	N/A	N/A
4B	1	Single Point CB	N/A	N/A	N/A	N/A	025-34419-000	N/A	025-34419-000	N/A	N/A	N/A
	1	Single Point NFDS	N/A	N/A	N/A	N/A	N/A	024-30963-000	N/A	N/A	N/A	024-30963-000
4C	1	SP Handle (CB & NFDS)	N/A	N/A	N/A	N/A	025-35697-000	025-35697-000	025-35697-000	N/A	N/A	025-35697-000
	1	SP Shaft (CB & NFDS)	N/A	N/A	N/A	N/A	025-35696-000	025-35696-000	025-35696-000	N/A	N/A	025-35696-000
4C	1	SP Ground Lug	N/A	N/A	N/A	025-34089-000	025-34089-000	025-34089-000	025-34089-000	025-34089-000	025-34089-000	025-34089-000

XX*	Multi Point supply TB	SD*	Single Point supply NFDS w/ Separate System TBs
MB*	Multi Point supply CBs <td>CS*</td> <td>Single Point supply CB w/ Separate System NFDSs</td>	CS*	Single Point supply CB w/ Separate System NFDSs
MD*	Multi Point supply NFDSS <td>SS*</td> <td>Single Point supply TB w/ Separate System NFDSs</td>	SS*	Single Point supply TB w/ Separate System NFDSs
SX*	Single Point supply TB w/ Separate System TBs <td>SB*</td> <td>Single Point TB supply w/ Separate System CBs</td>	SB*	Single Point TB supply w/ Separate System CBs
BX*	Single Point supply CB w/ Separate System TBs <td>DB*</td> <td>Single Point NFDS supply w/ Separate System CBs</td>	DB*	Single Point NFDS supply w/ Separate System CBs

S Recommended Spare Part
***Service Note:**
 Locate the **PANEL NUMBER** sticker on the upper right hand corner of the power panel, then refer to the appropriate parts list for that number. Or, identify PIN number positions 16 and 17 on unit identification plate (See example on Page 4) then compare to table at right for power configuration options.



OPTIONS AND POWER PANEL COMPONENTS (CONT'D)

TABLE 12 – ACROSS-THE-LINE POWER PANEL COMPONENTS - MODEL YCAS0128-40 (SEE FIGS. 9-13, PAGES 30-36)

YCAS0128-40												
Item	Qty	Description	371-04115-105 XX*	371-04115-205 MB*	371-04115-305 MD*	371-04115-755 SX*	371-04115-605 BX*	371-04115-705 SD*	371-04115-805 CS*	371-04115-905 SS*	371-04115-405 SB*	371-04115-505 DB*
1A	1	Compressor Contactor (System 1)	024-31891-000	024-31891-000	024-31891-000	024-31891-000	024-31891-000	024-31891-000	024-31891-000	024-31891-000	024-31891-000	024-31891-000
	1	Compressor Contactor (System 2)	024-31110-000	024-31110-000	024-31110-000	024-31110-000	024-31110-000	024-31110-000	024-31110-000	024-31110-000	024-31110-000	024-31110-000
1C	2	Surge Suppressor	031-02203-000	031-02203-000	031-02203-000	031-02203-000	031-02203-000	031-02203-000	031-02203-000	031-02203-000	031-02203-000	031-02203-000
	2	Motor Protector	024-30907-000	024-30907-000	024-30907-000	024-30907-000	024-30907-000	024-30907-000	024-30907-000	024-30907-000	024-30907-000	024-30907-000
1I	1	Ground Lug (System 1)	025-34089-000	025-34089-000	025-34089-000	025-34089-000	025-34089-000	025-34089-000	025-34089-000	025-34089-000	025-34089-000	025-34089-000
	1	Ground Lug (System 2)	025-34088-000	025-34088-000	025-34088-000	025-34088-000	025-34088-000	025-34088-000	025-34088-000	025-34088-000	025-34088-000	025-34088-000
3A	3	Terminal Block (System 1)	025-38363-000	N/A	N/A	N/A	N/A	N/A	N/A	N/A	N/A	N/A
	3	Terminal Block (System 2)	025-38363-000	N/A	N/A	N/A	N/A	N/A	N/A	N/A	N/A	N/A
	1	Circuit Breaker (System 1)	N/A	025-34419-000	N/A	N/A	N/A	N/A	N/A	N/A	025-34419-000	025-34419-000
3B	1	Circuit Breaker (System 2)	N/A	024-31649-000	N/A	N/A	N/A	N/A	N/A	N/A	024-31649-000	024-31649-000
	1	NF Disconnect Switch (System 1)	N/A	N/A	024-31888-000	N/A	N/A	N/A	024-31888-000	024-31888-000	N/A	N/A
3C	2	NF Disconnect Switch (System 2)	N/A	N/A	024-30963-000	N/A	N/A	N/A	024-30963-000	024-30963-000	N/A	N/A
	2	MP Handle (CB & NFDS)	N/A	025-35697-000	025-35697-000	N/A	N/A	N/A	025-35697-000	025-35697-000	025-35697-000	025-35697-000
3J	2	MP Shaft (CB & NFDS)	N/A	025-35696-000	025-35696-000	N/A	N/A	N/A	025-35696-000	025-35696-000	025-35696-000	025-35696-000
	2	Auxiliary Switch	N/A	024-31646-000	024-31646-000	N/A	N/A	N/A	024-31646-000	024-31646-000	024-31646-000	024-31646-000
4A	1	MP Ground Lug	025-34088-000	025-34089-000	025-34089-000	N/A	N/A	N/A	025-34089-000	025-34089-000	025-34089-000	025-34089-000
	1	Single Point TB	N/A	025-34088-000	025-34088-000	025-38370-000	N/A	N/A	025-38370-000	025-38370-000	025-38370-000	N/A
4B	1	Single Point CB	N/A	N/A	N/A	N/A	025-34424-000	N/A	025-34424-000	N/A	N/A	N/A
	1	Single Point NFDS	N/A	N/A	N/A	N/A	N/A	024-30964-000	N/A	N/A	N/A	024-30964-000
4C	1	SP Handle (CB & NFDS)	N/A	N/A	N/A	N/A	025-35697-000	025-35697-000	025-35697-000	N/A	N/A	025-35697-000
	1	SP Shaft (CB & NFDS)	N/A	N/A	N/A	N/A	025-35696-000	025-35696-000	025-35696-000	N/A	N/A	025-35696-000
4C	1	SP Ground Lug	N/A	N/A	N/A	025-34085-000	025-34089-000	025-34089-000	025-34089-000	025-34085-000	025-34085-000	025-34089-000
	1	SP Ground Lug	N/A	N/A	N/A	025-34085-000	025-34089-000	025-34089-000	025-34089-000	025-34085-000	025-34085-000	025-34089-000

XX*	Multi Point supply TB	SD*	Single Point supply NFDS w/ Separate System TBs
MB*	Multi Point supply CBs <td>CS*</td> <td>Single Point supply CB w/ Separate System NFDSs</td>	CS*	Single Point supply CB w/ Separate System NFDSs
MD*	Multi Point supply NFDSs <td>SS*</td> <td>Single Point supply TB w/ Separate System NFDSs</td>	SS*	Single Point supply TB w/ Separate System NFDSs
SX*	Single Point supply TB w/ Separate System TBs <td>SB*</td> <td>Single Point TB supply w/ Separate System CBs</td>	SB*	Single Point TB supply w/ Separate System CBs
BX*	Single Point supply CB w/ Separate System TBs <td>DB*</td> <td>Single Point NFDS supply w/ Separate System CBs</td>	DB*	Single Point NFDS supply w/ Separate System CBs

S Recommended Spare Part

***Service Note:**
 Locate the PANEL NUMBER sticker on the upper right hand corner of the power panel, then refer to the appropriate parts list for that number. Or, identify PIN number positions 16 and 17 on unit identification plate (See example on Page 4) then compare to table at right for power configuration options.

OPTIONS AND POWER PANEL COMPONENTS (CONT'D)

TABLE 12 – ACROSS-THE-LINE POWER PANEL COMPONENTS - MODEL YCAS0128-46 (SEE FIGS. 9-13, PAGES 30-36)

YCAS0128-46												
Item	Qty	Description	371-04115-103 XX*	371-04115-203 MB*	371-04115-303 MD*	371-04115-753 SX*	371-04115-603 BX*	371-04115-703 SD*	371-04115-803 CS*	371-04115-903 SS*	371-04115-403 SB*	371-04115-503 DB*
1A	1	Compressor Contactor (System 1)	024-31891-000	024-31891-000	024-31891-000	024-31891-000	024-31891-000	024-31891-000	024-31891-000	024-31891-000	024-31891-000	024-31891-000
	1	Compressor Contactor (System 2)	024-31109-000	024-31109-000	024-31109-000	024-31109-000	024-31109-000	024-31109-000	024-31109-000	024-31109-000	024-31109-000	024-31109-000
1C	2	Surge Suppressor	031-02203-000	031-02203-000	031-02203-000	031-02203-000	031-02203-000	031-02203-000	031-02203-000	031-02203-000	031-02203-000	031-02203-000
	2	Motor Protector	024-30907-000	024-30907-000	024-30907-000	024-30907-000	024-30907-000	024-30907-000	024-30907-000	024-30907-000	024-30907-000	024-30907-000
1I	1	Ground Lug (System 1)	025-34089-000	025-34089-000	025-34089-000	025-34089-000	025-34089-000	025-34089-000	025-34089-000	025-34089-000	025-34089-000	025-34089-000
	1	Ground Lug (System 2)	025-34088-000	025-34088-000	025-34088-000	025-34088-000	025-34088-000	025-34088-000	025-34088-000	025-34088-000	025-34088-000	025-34088-000
3A	3	Terminal Block (System 1)	025-38363-000	N/A	N/A	N/A	N/A	N/A	N/A	N/A	N/A	N/A
	3	Terminal Block (System 2)	025-38358-000	N/A	N/A	N/A	N/A	N/A	N/A	N/A	N/A	N/A
	1	Circuit Breaker (System 1)	N/A	024-31819-000	N/A	N/A	N/A	N/A	N/A	N/A	024-31819-000	024-31819-000
3B	1	Circuit Breaker (System 2)	N/A	024-31649-000	N/A	N/A	N/A	N/A	N/A	N/A	024-31649-000	024-31649-000
	1	NF Disconnect Switch (System 1)	N/A	N/A	024-31888-000	N/A	N/A	N/A	024-31888-000	024-31888-000	N/A	N/A
3C	1	NF Disconnect Switch (System 2)	N/A	N/A	024-31888-000	N/A	N/A	N/A	024-31888-000	024-31888-000	N/A	N/A
	2	MP Handle (CB & NFDS)	N/A	025-35697-000	025-35697-000	N/A	N/A	N/A	025-35697-000	025-35697-000	025-35697-000	025-35697-000
3J	2	MP Shaft (CB & NFDS)	N/A	025-35696-000	025-35696-000	N/A	N/A	N/A	025-35696-000	025-35696-000	025-35696-000	025-35696-000
	2	Auxiliary Switch	N/A	024-31646-000	024-31646-000	N/A	N/A	N/A	024-31646-000	024-31646-000	024-31646-000	024-31646-000
4A	2	MP Ground Lug	025-34088-000	025-34088-000	025-34088-000	N/A	N/A	N/A	025-34088-000	025-34088-000	025-34088-000	025-34088-000
	1	Single Point TB	N/A	N/A	N/A	025-38364-000	N/A	N/A	N/A	025-38364-000	025-38364-000	N/A
4B	1	Single Point CB	N/A	N/A	N/A	N/A	025-34424-000	N/A	025-34424-000	N/A	N/A	N/A
	1	Single Point NFDS	N/A	N/A	N/A	N/A	N/A	024-30963-000	N/A	N/A	N/A	024-30963-000
4C	1	SP Handle (CB & NFDS)	N/A	N/A	N/A	N/A	025-35697-000	025-35697-000	025-35697-000	N/A	N/A	025-35697-000
	1	SP Shaft (CB & NFDS)	N/A	N/A	N/A	N/A	025-35696-000	025-35696-000	025-35696-000	N/A	N/A	025-35696-000
4C	1	SP Ground Lug	N/A	N/A	N/A	025-34089-000	025-34089-000	025-34089-000	025-34089-000	025-34089-000	025-34089-000	025-34089-000

XX*	Multi Point supply TB	SD*	Single Point supply NFDS w/ Separate System TBs
MB*	Multi Point supply CBs <td>CS*</td> <td>Single Point supply CB w/ Separate System NFDSs</td>	CS*	Single Point supply CB w/ Separate System NFDSs
MD*	Multi Point supply NFDSs <td>SS*</td> <td>Single Point supply TB w/ Separate System NFDSs</td>	SS*	Single Point supply TB w/ Separate System NFDSs
SX*	Single Point supply TB w/ Separate System TBs <td>SB*</td> <td>Single Point TB supply w/ Separate System CBs</td>	SB*	Single Point TB supply w/ Separate System CBs
BX*	Single Point supply CB w/ Separate System TBs <td>DB*</td> <td>Single Point NFDS supply w/ Separate System CBs</td>	DB*	Single Point NFDS supply w/ Separate System CBs

S Recommended Spare Part
***Service Note:**
 Locate the **PANEL NUMBER** sticker on the upper right hand corner of the power panel, then refer to the appropriate parts list for that number. Or, identify PIN number positions 16 and 17 on unit identification plate (See example on Page 4) then compare to table at right for power configuration options.



OPTIONS AND POWER PANEL COMPONENTS (CONT'D)

TABLE 12 – ACROSS-THE-LINE POWER PANEL COMPONENTS - MODEL YCAS0128-58 (SEE FIGS. 9-13, PAGES 30-36)

YCAS0128-58												
Item	Qty	Description	371-04115-102 XX*	371-04115-202 MB*	371-04115-302 MD*	371-04115-752 SX*	371-04115-602 BX*	371-04115-702 SD*	371-04115-802 CS*	371-04115-902 SS*	371-04115-402 SB*	371-04115-502 DB*
1A	1	Compressor Contactor (System 1)	024-31110-000	024-31110-000	024-31110-000	024-31110-000	024-31110-000	024-31110-000	024-31110-000	024-31110-000	024-31110-000	024-31110-000
	1	Compressor Contactor (System 2)	024-31640-000	024-31640-000	024-31640-000	024-31640-000	024-31640-000	024-31640-000	024-31640-000	024-31640-000	024-31640-000	024-31640-000
1C	2	Surge Suppressor	031-02203-000	031-02203-000	031-02203-000	031-02203-000	031-02203-000	031-02203-000	031-02203-000	031-02203-000	031-02203-000	031-02203-000
1G\$	2	Motor Protector	024-30907-000	024-30907-000	024-30907-000	024-30907-000	024-30907-000	024-30907-000	024-30907-000	024-30907-000	024-30907-000	024-30907-000
1I	2	Ground Lug	025-34088-000	025-34088-000	025-34088-000	025-34088-000	025-34088-000	025-34088-000	025-34088-000	025-34088-000	025-34088-000	025-34088-000
	3	Terminal Block (System 1)	025-38363-000	N/A	N/A	N/A	N/A	N/A	N/A	N/A	N/A	N/A
	3	Terminal Block (System 2)	025-38358-000	N/A	N/A	N/A	N/A	N/A	N/A	N/A	N/A	N/A
3A	1	Circuit Breaker (System 1)	N/A	024-31649-000	N/A	N/A	N/A	N/A	N/A	N/A	024-31649-000	024-31649-000
	1	Circuit Breaker (System 2)	N/A	024-31843-000	N/A	N/A	N/A	N/A	N/A	N/A	024-31843-000	024-31843-000
	1	NF Disconnect Switch (System 1)	N/A	N/A	024-31888-000	N/A	N/A	N/A	024-31888-000	024-31888-000	N/A	N/A
	1	NF Disconnect Switch (System 2)	N/A	N/A	024-31888-000	N/A	N/A	N/A	024-31888-000	024-31888-000	N/A	N/A
3B	2	MP Handle (CB & NFDS)	N/A	025-35697-000	025-35697-000	N/A	N/A	N/A	025-35697-000	025-35697-000	025-35697-000	025-35697-000
	2	MP Shaft (CB & NFDS)	N/A	025-35696-000	025-35696-000	N/A	N/A	N/A	025-35696-000	025-35696-000	025-35696-000	025-35696-000
3C	2	Auxiliary Switch	N/A	024-31646-000	024-31646-000	N/A	N/A	N/A	024-31646-000	024-31646-000	024-31646-000	024-31646-000
3J	2	MP Ground Lug	025-34088-000	025-34088-000	025-34088-000	N/A	N/A	N/A	025-34088-000	025-34088-000	025-34088-000	025-34088-000
4A	1	Single Point TB	N/A	N/A	N/A	025-38364-000	N/A	N/A	N/A	025-38364-000	025-38364-000	N/A
	1	Single Point CB	N/A	N/A	N/A	N/A	025-34419-000	N/A	025-34419-000	N/A	N/A	N/A
	1	Single Point NFDS	N/A	N/A	N/A	N/A	N/A	024-30963-000	N/A	N/A	N/A	024-30963-000
4B	1	SP Handle (CB & NFDS)	N/A	N/A	N/A	N/A	025-35697-000	025-35697-000	025-35697-000	N/A	N/A	025-35697-000
	1	SP Shaft (CB & NFDS)	N/A	N/A	N/A	N/A	025-35696-000	025-35696-000	025-35696-000	N/A	N/A	025-35696-000
4C	1	SP Ground Lug	N/A	N/A	N/A	025-34089-000	025-34089-000	025-34089-000	025-34089-000	025-34089-000	025-34089-000	025-34089-000

S Recommended Spare Part

***Service Note:**

Locate the PANEL NUMBER sticker on the upper right hand corner of the power panel, then refer to the appropriate parts list for that number. Or, identify PIN number positions 16 and 17 on unit identification plate (See example on Page 4) then compare to table at right for power configuration options.

XX*	Multi Point supply TB	SD*	Single Point supply NFDS w/ Separate System TBs
MB*	Multi Point supply CBs <td>CS*</td> <td>Single Point supply CB w/ Separate System NFDSs</td>	CS*	Single Point supply CB w/ Separate System NFDSs
MD*	Multi Point supply NFDSs <td>SS*</td> <td>Single Point supply TB w/ Separate System NFDSs</td>	SS*	Single Point supply TB w/ Separate System NFDSs
SX*	Single Point supply TB w/ Separate System TBs <td>SB*</td> <td>Single Point TB supply w/ Separate System CBs</td>	SB*	Single Point TB supply w/ Separate System CBs
BX*	Single Point supply CB w/ Separate System TBs <td>DB*</td> <td>Single Point NFDS supply w/ Separate System CBs</td>	DB*	Single Point NFDS supply w/ Separate System CBs

OPTIONS AND POWER PANEL COMPONENTS (CONT'D)

TABLE 12 – ACROSS-THE-LINE POWER PANEL COMPONENTS - MODEL YCAS0138-40 (SEE FIGS. 9-13, PAGES 30-36)

YCAS0138-40												
Item	Qty	Description	371-04115-108 XX*	371-04115-206 MB*	371-04115-308 MD*	371-04115-758 SX*	371-04115-608 BX*	371-04115-708 SD*	371-04115-808 CS*	371-04115-908 SS*	371-04115-406 SB*	371-04115-506 DB*
1A	1	Compressor Contactor (System 1)	024-31891-000	024-31891-000	024-31891-000	024-31891-000	024-31891-000	024-31891-000	024-31891-000	024-31891-000	024-31891-000	024-31891-000
	1	Compressor Contactor (System 2)	024-31891-000	024-31891-000	024-31891-000	024-31891-000	024-31891-000	024-31891-000	024-31891-000	024-31891-000	024-31891-000	024-31891-000
1C	2	Surge Suppressor	031-02203-000	031-02203-000	031-02203-000	031-02203-000	031-02203-000	031-02203-000	031-02203-000	031-02203-000	031-02203-000	031-02203-000
1G\$	2	Motor Protector	024-30907-000	024-30907-000	024-30907-000	024-30907-000	024-30907-000	024-30907-000	024-30907-000	024-30907-000	024-30907-000	024-30907-000
1I	2	Ground Lug	025-34089-000	025-34089-000	025-34089-000	025-34089-000	025-34089-000	025-34089-000	025-34089-000	025-34089-000	025-34089-000	025-34089-000
3A	3	Terminal Block (System 1)	025-38364-000	N/A	N/A	N/A	N/A	N/A	N/A	N/A	N/A	N/A
	3	Terminal Block (System 2)	025-38364-000	N/A	N/A	N/A	N/A	N/A	N/A	N/A	N/A	N/A
	1	Circuit Breaker (System 1)	N/A	024-31819-000	N/A	N/A	N/A	N/A	N/A	N/A	024-31819-000	024-31819-000
	1	Circuit Breaker (System 2)	N/A	024-31819-000	N/A	N/A	N/A	N/A	N/A	N/A	024-31819-000	024-31819-000
3B	1	NF Disconnect Switch (System 1)	N/A	N/A	024-30963-000	N/A	N/A	N/A	024-30963-000	024-30963-000	N/A	N/A
	1	NF Disconnect Switch (System 2)	N/A	N/A	024-30963-000	N/A	N/A	N/A	024-30963-000	024-30963-000	N/A	N/A
3C	2	MP Handle (CB & NFDS)	N/A	025-35697-000	025-35697-000	N/A	N/A	N/A	025-35697-000	025-35697-000	025-35697-000	025-35697-000
	2	MP Shaft (CB & NFDS)	N/A	025-35696-000	025-35696-000	N/A	N/A	N/A	025-35696-000	025-35696-000	025-35696-000	025-35696-000
3J	2	Auxiliary Switch	N/A	024-31646-000	024-31646-000	N/A	N/A	N/A	024-31646-000	024-31646-000	024-31646-000	024-31646-000
	2	MP Ground Lug	025-34089-000	025-34088-000	025-34089-000	N/A	N/A	N/A	025-34089-000	025-34089-000	025-34088-000	025-34088-000
4A	1	Single Point TB	N/A	N/A	N/A	025-38370-000	N/A	N/A	N/A	025-38370-000	025-38370-000	N/A
	1	Single Point CB	N/A	N/A	N/A	N/A	025-34424-000	N/A	025-34424-000	N/A	N/A	N/A
	1	Single Point NFDS	N/A	N/A	N/A	N/A	N/A	024-30964-000	N/A	N/A	N/A	024-30964-000
4B	1	SP Handle (CB & NFDS)	N/A	N/A	N/A	N/A	025-35697-000	025-35697-000	025-35697-000	N/A	N/A	025-35697-000
	1	SP Shaft (CB & NFDS)	N/A	N/A	N/A	N/A	025-35696-000	025-35696-000	025-35696-000	N/A	N/A	025-35696-000
4C	1	SP Ground Lug	N/A	N/A	N/A	025-34085-000	025-34089-000	025-34089-000	025-34089-000	025-34085-000	025-34085-000	

XX*	Multi Point supply TB	SD*	Single Point supply NFDS w/ Separate System TBs
MB*	Multi Point supply CBs	CS*	Single Point supply CB w/ Separate System NFDSs
MD*	Multi Point supply NFDSs	SS*	Single Point supply TB w/ Separate System NFDSs
SX*	Single Point supply TB w/ Separate System TBs	SB*	Single Point TB supply w/ Separate System CBs
BX*	Single Point supply CB w/ Separate System TBs	DB*	Single Point NFDS supply w/ Separate System CBs

S Recommended Spare Part

***Service Note:**
 Locate the PANEL NUMBER sticker on the upper right hand corner of the power panel, then refer to the appropriate parts list for that number. Or, identify PIN number positions 16 and 17 on unit identification plate (See example on Page 4) then compare to table at right for power configuration options.



OPTIONS AND POWER PANEL COMPONENTS (CONT'D)

TABLE 12 – ACROSS-THE-LINE POWER PANEL COMPONENTS - MODEL YCAS0138-46 (SEE FIGS. 9-13, PAGES 30-36)

YCAS0138-46												
Item	Qty	Description	371-04115-106 XX*	371-04115-206 MB*	371-04115-306 MD*	371-04115-756 SX*	371-04115-606 BX*	371-04115-706* SD*	371-04115-806 CS*	371-04115-906 SS*	371-04115-406 SB*	371-04115-506 DB*
1A	1	Compressor Contactor (System 1)	024-31891-000	024-31891-000	024-31891-000	024-31891-000	024-31891-000	024-31891-000	024-31891-000	024-31891-000	024-31891-000	024-31891-000
	1	Compressor Contactor (System 2)	024-31891-000	024-31891-000	024-31891-000	024-31891-000	024-31891-000	024-31891-000	024-31891-000	024-31891-000	024-31891-000	024-31891-000
1C	2	Surge Suppressor	031-02203-000	031-02203-000	031-02203-000	031-02203-000	031-02203-000	031-02203-000	031-02203-000	031-02203-000	031-02203-000	031-02203-000
1CS	2	Motor Protector	024-30907-000	024-30907-000	024-30907-000	024-30907-000	024-30907-000	024-30907-000	024-30907-000	024-30907-000	024-30907-000	024-30907-000
	2	Ground Lug	025-34089-000	025-34089-000	025-34089-000	025-34089-000	025-34089-000	025-34089-000	025-34089-000	025-34089-000	025-34089-000	025-34089-000
3A	3	Terminal Block (System 1)	025-38363-000	N/A	N/A	N/A	N/A	N/A	N/A	N/A	N/A	N/A
	3	Terminal Block (System 2)	025-38363-000	N/A	N/A	N/A	N/A	N/A	N/A	N/A	N/A	N/A
	1	Circuit Breaker (System 1)	N/A	024-31819-000	N/A	N/A	N/A	N/A	N/A	N/A	024-31819-000	024-31819-000
3B	1	Circuit Breaker (System 2)	N/A	024-31819-000	N/A	N/A	N/A	N/A	N/A	N/A	024-31819-000	024-31819-000
	1	NF Disconnect Switch (System 1)	N/A	N/A	024-31888-000	N/A	N/A	N/A	024-31888-000	024-31888-000	N/A	N/A
3C	1	NF Disconnect Switch (System 2)	N/A	N/A	024-31888-000	N/A	N/A	N/A	024-31888-000	024-31888-000	N/A	N/A
	2	MP Handle (CB & NFDS)	N/A	025-35697-000	025-35697-000	N/A	N/A	N/A	025-35697-000	025-35697-000	025-35697-000	025-35697-000
3J	2	MP Shaft (CB & NFDS)	N/A	025-35696-000	025-35696-000	N/A	N/A	N/A	025-35696-000	025-35696-000	025-35696-000	025-35696-000
	2	Auxiliary Switch	N/A	024-31646-000	024-31646-000	N/A	N/A	N/A	024-31646-000	024-31646-000	024-31646-000	024-31646-000
4A	2	MP Ground Lug	025-34088-000	025-34088-000	025-34088-000	N/A	N/A	N/A	025-34088-000	025-34088-000	025-34088-000	025-34088-000
	1	Single Point TB	N/A	N/A	N/A	025-38370-000	N/A	N/A	N/A	025-38370-000	025-38370-000	N/A
4B	1	Single Point CB	N/A	N/A	N/A	N/A	025-34424-000	N/A	025-34424-000	N/A	N/A	N/A
	1	Single Point NFDS	N/A	N/A	N/A	N/A	N/A	024-30964-000	N/A	N/A	N/A	024-30964-000
4C	1	SP Handle (CB & NFDS)	N/A	N/A	N/A	N/A	025-35697-000	025-35697-000	025-35697-000	N/A	N/A	025-35697-000
	1	SP Shaft (CB & NFDS)	N/A	N/A	N/A	N/A	025-35696-000	025-35696-000	025-35696-000	N/A	N/A	025-35696-000
4C	1	SP Ground Lug	N/A	N/A	N/A	025-34085-000	025-34089-000	025-34089-000	025-34089-000	025-34085-000	025-34085-000	025-34089-000

S Recommended Spare Part

***Service Note:**
 Locate the PANEL NUMBER sticker on the upper right hand corner of the power panel, then refer to the appropriate parts list for that number. Or, identify PIN number positions 16 and 17 on unit identification plate (See example on Page 4) then compare to table at right for power configuration options.

XX*	Multi Point supply TB	SD*	Single Point supply NFDS w/ Separate System TBs
MB*	Multi Point supply CBs	CS*	Single Point supply CB w/ Separate System NFDSs
MD*	Multi Point supply NFDSs	SS*	Single Point supply TB w/ Separate System NFDSs
SX*	Single Point supply TB w/ Separate System TBs	SB*	Single Point TB supply w/ Separate System CBs
BX*	Single Point supply CB w/ Separate System TBs	DB*	Single Point NFDS supply w/ Separate System CBs

OPTIONS AND POWER PANEL COMPONENTS (CONT'D)

TABLE 12 – ACROSS-THE-LINE POWER PANEL COMPONENTS - MODEL YCAS0138-58 (SEE FIGS. 9-13, PAGES 30-36)

YCAS0138-58												
Item	Qty	Description	371-04115-104 XX*	371-04115-204 MB*	371-04115-304 MD*	371-04115-754 SX*	371-04115-604 BX*	371-04115-704 SD*	371-04115-804 CS*	371-04115-904 SS*	371-04115-404 SB*	371-04115-504 DB*
1A	1	Compressor Contactor (System 1)	024-31110-000	024-31110-000	024-31110-000	024-31110-000	024-31110-000	024-31110-000	024-31110-000	024-31110-000	024-31110-000	024-31110-000
	1	Compressor Contactor (System 2)	024-31110-000	024-31110-000	024-31110-000	024-31110-000	024-31110-000	024-31110-000	024-31110-000	024-31110-000	024-31110-000	024-31110-000
1C	2	Surge Suppressor	031-02203-000	031-02203-000	031-02203-000	031-02203-000	031-02203-000	031-02203-000	031-02203-000	031-02203-000	031-02203-000	031-02203-000
1G\$	2	Motor Protector	024-30907-000	024-30907-000	024-30907-000	024-30907-000	024-30907-000	024-30907-000	024-30907-000	024-30907-000	024-30907-000	024-30907-000
	2	Ground Lug	025-34088-000	025-34088-000	025-34088-000	025-34088-000	025-34088-000	025-34088-000	025-34088-000	025-34088-000	025-34088-000	025-34088-000
3A	3	Terminal Block (System 1)	025-38363-000	N/A	N/A	N/A	N/A	N/A	N/A	N/A	N/A	N/A
	3	Terminal Block (System 2)	025-38363-000	N/A	N/A	N/A	N/A	N/A	N/A	N/A	N/A	N/A
	1	Circuit Breaker (System 1)	N/A	024-31649-000	N/A	N/A	N/A	N/A	N/A	N/A	024-31649-000	024-31649-000
3B	1	Circuit Breaker (System 2)	N/A	024-31649-000	N/A	N/A	N/A	N/A	N/A	N/A	024-31649-000	024-31649-000
	1	NF Disconnect Switch (System 1)	N/A	N/A	024-31888-000	N/A	N/A	N/A	024-31888-000	024-31888-000	N/A	N/A
3C	1	NF Disconnect Switch (System 2)	N/A	N/A	024-31888-000	N/A	N/A	N/A	024-31888-000	024-31888-000	N/A	N/A
	2	MP Handle (CB & NFDS)	N/A	025-35697-000	025-35697-000	N/A	N/A	N/A	025-35697-000	025-35697-000	025-35697-000	025-35697-000
3J	2	MP Shaft (CB & NFDS)	N/A	025-35696-000	025-35696-000	N/A	N/A	N/A	025-35696-000	025-35696-000	025-35696-000	025-35696-000
	2	Auxiliary Switch	N/A	024-31646-000	024-31646-000	N/A	N/A	N/A	024-31646-000	024-31646-000	024-31646-000	024-31646-000
4A	2	MP Ground Lug	025-34088-000	025-34088-000	025-34088-000	N/A	N/A	N/A	025-34088-000	025-34088-000	025-34088-000	025-34088-000
	1	Single Point TB	N/A	N/A	N/A	025-38364-000	N/A	N/A	N/A	025-38364-000	N/A	N/A
4B	1	Single Point CB	N/A	N/A	N/A	N/A	N/A	N/A	N/A	N/A	N/A	024-30963-000
	1	Single Point NFDS	N/A	N/A	N/A	N/A	N/A	N/A	N/A	N/A	N/A	025-35697-000
4C	1	SP Handle (CB & NFDS)	N/A	N/A	N/A	N/A	025-35696-000	025-35696-000	025-35696-000	025-35696-000	N/A	025-35696-000
	1	SP Ground Lug	N/A	N/A	N/A	025-34089-000	025-34089-000	025-34089-000	025-34089-000	025-34089-000	025-34089-000	025-34089-000

XX*	Multi Point supply TB	SD*	Single Point supply NFDS w/ Separate System TBs
MB*	Multi Point supply CBs <td>CS*</td> <td>Single Point supply CB w/ Separate System NFDSs</td>	CS*	Single Point supply CB w/ Separate System NFDSs
MD*	Multi Point supply NFDSs <td>SS*</td> <td>Single Point supply TB w/ Separate System NFDSs</td>	SS*	Single Point supply TB w/ Separate System NFDSs
SX*	Single Point supply TB w/ Separate System TBs <td>SB*</td> <td>Single Point TB supply w/ Separate System CBs</td>	SB*	Single Point TB supply w/ Separate System CBs
BX*	Single Point supply CB w/ Separate System TBs <td>DB*</td> <td>Single Point NFDS supply w/ Separate System CBs</td>	DB*	Single Point NFDS supply w/ Separate System CBs

S Recommended Spare Part
***Service Note:**
 Locate the PANEL NUMBER sticker on the upper right hand corner of the power panel, then refer to the appropriate parts list for that number. Or, identify PIN number positions 16 and 17 on unit identification plate (See example on Page 4) then compare to table at right for power configuration options.



OPTIONS AND POWER PANEL COMPONENTS (CONT'D)

TABLE 12 – ACROSS-THE-LINE POWER PANEL COMPONENTS - MODEL YCAS0148-40 (SEE FIGS. 9-13, PAGES 30-36)

YCAS0148-40												
Item	Qty	Description	371-04115-108 XX*	371-04115-206 MB*	371-04115-308 MD*	371-04115-758 SX*	371-04115-608 BX*	371-04115-708 SD*	371-04115-808 CS*	371-04115-908 SS*	371-04115-406 SB*	371-04115-506 DB*
1A	1	Compressor Contactor (System 1)	024-31891-000	024-31891-000	024-31891-000	024-31891-000	024-31891-000	024-31891-000	024-31891-000	024-31891-000	024-31891-000	024-31891-000
	1	Compressor Contactor (System 2)	024-31891-000	024-31891-000	024-31891-000	024-31891-000	024-31891-000	024-31891-000	024-31891-000	024-31891-000	024-31891-000	024-31891-000
1C	2	Surge Suppressor	031-02203-000	031-02203-000	031-02203-000	031-02203-000	031-02203-000	031-02203-000	031-02203-000	031-02203-000	031-02203-000	031-02203-000
1G\$	2	Motor Protector	024-30907-000	024-30907-000	024-30907-000	024-30907-000	024-30907-000	024-30907-000	024-30907-000	024-30907-000	024-30907-000	024-30907-000
1I	2	Ground Lug	025-34089-000	025-34089-000	025-34089-000	025-34089-000	025-34089-000	025-34089-000	025-34089-000	025-34089-000	025-34089-000	025-34089-000
3A	3	Terminal Block (System 1)	025-38364-000	N/A	N/A	N/A	N/A	N/A	N/A	N/A	N/A	N/A
	3	Terminal Block (System 2)	025-38364-000	N/A	N/A	N/A	N/A	N/A	N/A	N/A	N/A	N/A
	1	Circuit Breaker (System 1)	N/A	024-31819-000	N/A	N/A	N/A	N/A	N/A	N/A	024-31819-000	024-31819-000
3B	1	Circuit Breaker (System 2)	N/A	024-31819-000	N/A	N/A	N/A	N/A	N/A	N/A	024-31819-000	024-31819-000
	1	NF Disconnect Switch (System 1)	N/A	N/A	024-30963-000	N/A	N/A	N/A	024-30963-000	024-30963-000	N/A	N/A
3C	1	NF Disconnect Switch (System 2)	N/A	N/A	024-30963-000	N/A	N/A	N/A	024-30963-000	024-30963-000	N/A	N/A
	2	MP Handle (CB & NFDS)	N/A	025-35697-000	025-35697-000	N/A	N/A	N/A	025-35697-000	025-35697-000	025-35697-000	025-35697-000
3J	2	MP Shaft (CB & NFDS)	N/A	025-35696-000	025-35696-000	N/A	N/A	N/A	025-35696-000	025-35696-000	025-35696-000	025-35696-000
	2	Auxiliary Switch	N/A	024-31646-000	024-31646-000	N/A	N/A	N/A	024-31646-000	024-31646-000	024-31646-000	024-31646-000
4A	2	MP Ground Lug	025-34089-000	025-34088-000	025-34089-000	N/A	N/A	N/A	025-34089-000	025-34089-000	025-34088-000	025-34088-000
	1	Single Point TB	N/A	N/A	N/A	025-38370-000	N/A	N/A	N/A	025-38370-000	025-38370-000	N/A
4B	1	Single Point CB	N/A	N/A	N/A	N/A	025-34424-000	N/A	025-34424-000	N/A	N/A	N/A
	1	Single Point NFDS	N/A	N/A	N/A	N/A	N/A	024-30964-000	N/A	N/A	N/A	024-30964-000
4C	1	SP Handle (CB & NFDS)	N/A	N/A	N/A	N/A	025-35697-000	025-35697-000	025-35697-000	N/A	N/A	025-35697-000
	1	SP Shaft (CB & NFDS)	N/A	N/A	N/A	N/A	025-35696-000	025-35696-000	025-35696-000	N/A	N/A	025-35696-000
4C	1	SP Ground Lug	N/A	N/A	N/A	025-34085-000	025-34089-000	025-34089-000	025-34089-000	025-34085-000	025-34085-000	025-34089-000

\$ Recommended Spare Part

***Service Note:**

Locate the PANEL NUMBER sticker on the upper right hand corner of the power panel, then refer to the appropriate parts list for that number. Or, identify PIN number positions 16 and 17 on unit identification plate (See example on Page 4) then compare to table at right for power configuration options.

	XX*	Multi Point supply TB	SD*	Single Point supply NFDS w/ Separate System TBs
MB*	Multi Point supply CBs <td>CS*</td> <td>Single Point supply CB w/ Separate System NFDSs <td>Single Point supply NFDSs</td> </td>	CS*	Single Point supply CB w/ Separate System NFDSs <td>Single Point supply NFDSs</td>	Single Point supply NFDSs
MD*	Multi Point supply NFDSs <td>SS*</td> <td>Single Point supply TB w/ Separate System NFDSs <td>Single Point supply TBs</td> </td>	SS*	Single Point supply TB w/ Separate System NFDSs <td>Single Point supply TBs</td>	Single Point supply TBs
SX*	Single Point supply TB w/ Separate System TBs <td>SB*</td> <td>Single Point TB supply w/ Separate System CBs <td>Single Point supply TBs</td> </td>	SB*	Single Point TB supply w/ Separate System CBs <td>Single Point supply TBs</td>	Single Point supply TBs
BX*	Single Point supply CB w/ Separate System TBs <td>DB*</td> <td>Single Point NFDS supply w/ Separate System CBs <td>Single Point supply TBs</td> </td>	DB*	Single Point NFDS supply w/ Separate System CBs <td>Single Point supply TBs</td>	Single Point supply TBs

OPTIONS AND POWER PANEL COMPONENTS (CONT'D)

TABLE 12 – ACROSS-THE-LINE POWER PANEL COMPONENTS - MODEL YCAS0148-46 (SEE FIGS. 9-13, PAGES 30-36)

YCAS0148-46												
Item	Qty	Description	371-04115-106 XX*	371-04115-206 MB*	371-04115-306 MD*	371-04115-756 SX*	371-04115-606 BX*	371-04115-706 SD*	371-04115-810 CS*	371-04115-906 SS*	371-04115-406 SB*	371-04115-506 DB*
1A	1	Compressor Contactor (System 1)	024-31891-000	024-31891-000	024-31891-000	024-31891-000	024-31891-000	024-31891-000	024-31891-000	024-31891-000	024-31891-000	024-31891-000
	1	Compressor Contactor (System 2)	024-31891-000	024-31891-000	024-31891-000	024-31891-000	024-31891-000	024-31891-000	024-31891-000	024-31891-000	024-31891-000	024-31891-000
1C	2	Surge Suppressor	031-02203-000	031-02203-000	031-02203-000	031-02203-000	031-02203-000	031-02203-000	031-02203-000	031-02203-000	031-02203-000	031-02203-000
1G ^S	2	Motor Protector	024-30907-000	024-30907-000	024-30907-000	024-30907-000	024-30907-000	024-30907-000	024-30907-000	024-30907-000	024-30907-000	024-30907-000
1I	2	Ground Lug	025-34089-000	025-34089-000	025-34089-000	025-34089-000	025-34089-000	025-34089-000	025-34089-000	025-34089-000	025-34089-000	025-34089-000
	3	Terminal Block (System 1)	025-38363-000	N/A	N/A	N/A	N/A	N/A	N/A	N/A	N/A	N/A
3A	3	Terminal Block (System 2)	025-38363-000	N/A	N/A	N/A	N/A	N/A	N/A	N/A	N/A	N/A
	1	Circuit Breaker (System 1)	N/A	024-31819-000	N/A	N/A	N/A	N/A	N/A	N/A	024-31819-000	024-31819-000
3B	1	Circuit Breaker (System 2)	N/A	024-31819-000	N/A	N/A	N/A	N/A	N/A	N/A	024-31819-000	024-31819-000
	1	NF Disconnect Switch (System 1)	N/A	N/A	024-31888-000	N/A	N/A	N/A	024-31888-000	024-31888-000	N/A	N/A
3C	1	NF Disconnect Switch (System 2)	N/A	N/A	024-31888-000	N/A	N/A	N/A	024-31888-000	024-31888-000	N/A	N/A
	2	MP Handle (CB & NFDS)	N/A	025-35697-000	025-35697-000	N/A	N/A	N/A	025-35697-000	025-35697-000	025-35697-000	025-35697-000
3C	2	MP Shaft (CB & NFDS)	N/A	025-35696-000	025-35696-000	N/A	N/A	N/A	025-35696-000	025-35696-000	025-35696-000	025-35696-000
	2	Auxiliary Switch	N/A	024-31646-000	024-31646-000	N/A	N/A	N/A	024-31646-000	024-31646-000	024-31646-000	024-31646-000
3J	2	MP Ground Lug	025-34088-000	025-34088-000	025-34088-000	N/A	N/A	N/A	025-34088-000	025-34088-000	025-34088-000	025-34088-000
	1	Single Point TB	N/A	N/A	N/A	025-38370-000	N/A	N/A	N/A	025-38370-000	025-38370-000	N/A
4A	1	Single Point CB	N/A	N/A	N/A	N/A	025-34424-000	N/A	025-34424-000	N/A	N/A	N/A
	1	Single Point NFDS	N/A	N/A	N/A	N/A	N/A	024-30964-000	N/A	N/A	N/A	024-30964-000
4B	1	SP Handle (CB & NFDS)	N/A	N/A	N/A	N/A	025-35697-000	025-35697-000	025-35697-000	N/A	N/A	025-35697-000
	1	SP Shaft (CB & NFDS)	N/A	N/A	N/A	N/A	025-35696-000	025-35696-000	025-35696-000	N/A	N/A	025-35696-000
4C	1	SP Ground Lug	N/A	N/A	N/A	025-34085-000	025-34089-000	025-34089-000	025-34089-000	025-34085-000	025-34089-000	

S Recommended Spare Part

***Service Note:**

Locate the PANEL NUMBER sticker on the upper right hand corner of the power panel, then refer to the appropriate parts list for that number. Or, identify PIN number positions 16 and 17 on unit identification plate (See example on Page 4) then compare to table at right for power configuration options.

XX*	Multi Point supply TB	SD*	Single Point supply NFDS w/ Separate System TBs
MB*	Multi Point supply CBs	CS*	Single Point supply CB w/ Separate System NFDSs
MD*	Multi Point supply NFDSs	SS*	Single Point supply TB w/ Separate System NFDSs
SX*	Single Point supply TB w/ Separate System TBs	SB*	Single Point TB supply w/ Separate System CBs
BX*	Single Point supply CB w/ Separate System TBs	DB*	Single Point NFDS supply w/ Separate System CBs



OPTIONS AND POWER PANEL COMPONENTS (CONT'D)

TABLE 12 – ACROSS-THE-LINE POWER PANEL COMPONENTS - MODEL YCAS0148-58 (SEE FIGS. 9-13, PAGES 30-36)

YCAS0148-58												
Item	Qty	Description	371-04115-104 XX*	371-04115-204 MB*	371-04115-304 MD*	371-04115-754 SX*	371-04115-604 BX*	371-04115-704 SD*	371-04115-804 CS*	371-04115-904 SS*	371-04115-404 SB*	371-04115-504 DB*
1A	1	Compressor Contactor (System 1)	024-31110-000	024-31110-000	024-31110-000	024-31110-000	024-31110-000	024-31110-000	024-31110-000	024-31110-000	024-31110-000	024-31110-000
	1	Compressor Contactor (System 2)	024-31110-000	024-31110-000	024-31110-000	024-31110-000	024-31110-000	024-31110-000	024-31110-000	024-31110-000	024-31110-000	024-31110-000
1C	2	Surge Suppressor	031-02203-000	031-02203-000	031-02203-000	031-02203-000	031-02203-000	031-02203-000	031-02203-000	031-02203-000	031-02203-000	031-02203-000
1G ^S	2	Motor Protector	024-30907-000	024-30907-000	024-30907-000	024-30907-000	024-30907-000	024-30907-000	024-30907-000	024-30907-000	024-30907-000	024-30907-000
	2	Ground Lug	025-34088-000	025-34088-000	025-34088-000	025-34088-000	025-34088-000	025-34088-000	025-34088-000	025-34088-000	025-34088-000	025-34088-000
3A	3	Terminal Block (System 1)	025-38363-000	N/A	N/A	N/A	N/A	N/A	N/A	N/A	N/A	N/A
	3	Terminal Block (System 2)	025-38363-000	N/A	N/A	N/A	N/A	N/A	N/A	N/A	N/A	N/A
3B	1	Circuit Breaker (System 1)	N/A	024-31649-000	N/A	N/A	N/A	N/A	N/A	N/A	024-31649-000	024-31649-000
	1	Circuit Breaker (System 2)	N/A	024-31649-000	N/A	N/A	N/A	N/A	N/A	N/A	024-31649-000	024-31649-000
3C	1	NF Disconnect Switch (System 1)	N/A	N/A	024-31888-000	N/A	N/A	N/A	024-31888-000	024-31888-000	N/A	N/A
	1	NF Disconnect Switch (System 2)	N/A	N/A	024-31888-000	N/A	N/A	N/A	024-31888-000	024-31888-000	N/A	N/A
3D	2	MP Handle (CB & NFDS)	N/A	025-35697-000	025-35697-000	N/A	N/A	N/A	025-35697-000	025-35697-000	025-35697-000	025-35697-000
	2	MP Shaft (CB & NFDS)	N/A	025-35696-000	025-35696-000	N/A	N/A	N/A	025-35696-000	025-35696-000	025-35696-000	025-35696-000
3E	2	Auxiliary Switch	N/A	024-31646-000	024-31646-000	N/A	N/A	N/A	024-31646-000	024-31646-000	024-31646-000	024-31646-000
	2	MP Ground Lug	025-34088-000	025-34088-000	025-34088-000	N/A	N/A	N/A	025-34088-000	025-34088-000	025-34088-000	025-34088-000
4A	1	Single Point TB	N/A	N/A	N/A	025-38364-000	N/A	N/A	N/A	025-38364-000	N/A	N/A
	1	Single Point CB	N/A	N/A	N/A	N/A	025-34419-000	N/A	025-34419-000	N/A	N/A	N/A
4B	1	Single Point NFDS	N/A	N/A	N/A	N/A	N/A	024-30963-000	N/A	N/A	N/A	024-30963-000
	1	SP Handle (CB & NFDS)	N/A	N/A	N/A	N/A	025-35697-000	025-35697-000	025-35697-000	N/A	N/A	025-35697-000
4C	1	SP Shaft (CB & NFDS)	N/A	N/A	N/A	N/A	025-35696-000	025-35696-000	025-35696-000	N/A	N/A	025-35696-000
	1	SP Ground Lug	N/A	N/A	N/A	025-34089-000	025-34089-000	025-34089-000	025-34089-000	025-34089-000	025-34089-000	025-34089-000

Recommended Spare Part	XX*	Multi Point supply TB	SD*	Single Point supply NFDS w/ Separate System TBs
	MB*	Multi Point supply CBs	CS*	Single Point supply CB w/ Separate System NFDSs
	MD*	Multi Point supply NFDSs	SS*	Single Point supply TB w/ Separate System NFDSs
	SX*	Single Point supply TB w/ Separate System TBs	SB*	Single Point TB supply w/ Separate System CBs
	BX*	Single Point supply CB w/ Separate System TBs	DB*	Single Point NFDS supply w/ Separate System CBs

S Recommended Spare Part
***Service Note:**
 Locate the PANEL NUMBER sticker on the upper right hand corner of the power panel, then refer to the appropriate parts list for that number. Or, identify PIN number positions 16 and 17 on unit identification plate (See example on Page 4) then compare to table at right for power configuration options.

OPTIONS AND POWER PANEL COMPONENTS (CONT'D)

TABLE 12 – ACROSS-THE-LINE POWER PANEL COMPONENTS - MODEL YCAS0158-40 (SEE FIGS. 9-13, PAGES 30-36)

YCAS0158-40												
Item	Qty	Description	371-04115-125 XX*	371-04115-225 MB*	371-04115-325 MD*	371-04115-775 SX*	371-04115-625 BX*	371-04115-725 SD*	371-04115-825 CS*	371-04115-925 SS*	371-04115-425 SB*	371-04115-525 DB*
1A	1	Compressor Contactor (System 1)	024-31893-000	024-31893-000	024-31893-000	024-31893-000	024-31893-000	024-31893-000	024-31893-000	024-31893-000	024-31893-000	024-31893-000
	1	Compressor Contactor (System 2)	024-31891-000	024-31891-000	024-31891-000	024-31891-000	024-31891-000	024-31891-000	024-31891-000	024-31891-000	024-31891-000	024-31891-000
1C	2	Surge Suppressor	031-02203-000	031-02203-000	031-02203-000	031-02203-000	031-02203-000	031-02203-000	031-02203-000	031-02203-000	031-02203-000	031-02203-000
	2	Motor Protector	024-30907-000	024-30907-000	024-30907-000	024-30907-000	024-30907-000	024-30907-000	024-30907-000	024-30907-000	024-30907-000	024-30907-000
1I	2	Ground Lug	025-34089-000	025-34089-000	025-34089-000	025-34089-000	025-34089-000	025-34089-000	025-34089-000	025-34089-000	025-34089-000	025-34089-000
	3	Terminal Block (System 1)	025-38364-000	N/A	N/A	N/A	N/A	N/A	N/A	N/A	N/A	N/A
3A	3	Terminal Block (System 2)	025-38363-000	N/A	N/A	N/A	N/A	N/A	N/A	N/A	N/A	N/A
	1	Circuit Breaker (System 1)	N/A	025-34424-000	N/A	N/A	N/A	N/A	N/A	N/A	025-34424-000	025-34424-000
3B	1	Circuit Breaker (System 2)	N/A	024-31819-000	N/A	N/A	N/A	N/A	N/A	N/A	024-31819-000	024-31819-000
	1	NF Disconnect Switch (System 1)	N/A	N/A	024-30963-000	N/A	N/A	N/A	024-30963-000	024-30963-000	N/A	N/A
3C	1	NF Disconnect Switch (System 2)	N/A	N/A	024-30963-000	N/A	N/A	N/A	024-30963-000	024-30963-000	N/A	N/A
	2	MP Shaft (CB & NFDS)	N/A	N/A	025-35697-000	N/A	N/A	N/A	025-35697-000	025-35697-000	025-35697-000	025-35697-000
3J	2	Auxiliary Switch	N/A	N/A	025-35696-000	N/A	N/A	N/A	025-35696-000	025-35696-000	025-35696-000	025-35696-000
	1	MP Ground Lug (Sys 1)	025-34089-000	025-34085-000	024-31646-000	N/A	N/A	N/A	024-31646-000	024-31646-000	025-34085-000	025-34085-000
4A	1	MP Ground Lug (Sys 2)	025-34088-000	025-34088-000	025-34089-000	N/A	N/A	N/A	025-34089-000	025-34089-000	025-34088-000	025-34088-000
	1	Single Point TB	N/A	N/A	N/A	025-38364-000	N/A	N/A	N/A	025-38364-000	N/A	N/A
4B	1	Single Point CB	N/A	N/A	N/A	N/A	025-34425-000	N/A	025-34425-000	N/A	N/A	N/A
	1	Single Point NFDS	N/A	N/A	N/A	N/A	N/A	024-30964-000	N/A	N/A	N/A	024-30964-000
4B	1	SP Handle (CB & NFDS)	N/A	N/A	N/A	N/A	025-35697-000	025-35697-000	025-35697-000	N/A	N/A	025-35697-000
	1	SP Shaft (CB & NFDS)	N/A	N/A	N/A	N/A	025-35696-000	025-35696-000	025-35696-000	N/A	N/A	025-35696-000

S Recommended Spare Part

***Service Note:**
Locate the PANEL NUMBER sticker on the upper right hand corner of the power panel, then refer to the appropriate parts list for that number. Or, identify PIN number positions 16 and 17 on unit identification plate (See example on Page 4) then compare to table at right for power configuration options.

XX*	Multi Point supply TB	SD*	Single Point supply NFDS w/ Separate System TBs
MB*	Multi Point supply CBs <td>CS*</td> <td>Single Point supply CB w/ Separate System NFDSs</td>	CS*	Single Point supply CB w/ Separate System NFDSs
MD*	Multi Point supply NFDSs <td>SS*</td> <td>Single Point supply TB w/ Separate System NFDSs</td>	SS*	Single Point supply TB w/ Separate System NFDSs
SX*	Single Point supply TB w/ Separate System TBs <td>SB*</td> <td>Single Point TB supply w/ Separate System CBs</td>	SB*	Single Point TB supply w/ Separate System CBs
BX*	Single Point supply CB w/ Separate System TBs <td>DB*</td> <td>Single Point NFDS supply w/ Separate System CBs</td>	DB*	Single Point NFDS supply w/ Separate System CBs



OPTIONS AND POWER PANEL COMPONENTS (CONT'D)

TABLE 12 – ACROSS-THE-LINE POWER PANEL COMPONENTS - MODEL YCAS0158-46 (SEE FIGS. 9-13, PAGES 30-36)

YCAS0158-46												
Item	Qty	Description	371-04115-109 XX*	371-04115-210 MB*	371-04115-309 MD*	371-04115-759 SX*	371-04115-609 BX*	371-04115-709 SD*	371-04115-809 CS*	371-04115-909 SS*	371-04115-411 SB*	371-04115-511 DB*
1A	1	Compressor Contactor (System 1)	024-31892-000	024-31892-000	024-31892-000	024-31892-000	024-31892-000	024-31892-000	024-31892-000	024-31892-000	024-31892-000	024-31892-000
	1	Compressor Contactor (System 2)	024-31891-000	024-31891-000	024-31891-000	024-31891-000	024-31891-000	024-31891-000	024-31891-000	024-31891-000	024-31891-000	024-31891-000
1C	2	Surge Suppressor	031-02203-000	031-02203-000	031-02203-000	031-02203-000	031-02203-000	031-02203-000	031-02203-000	031-02203-000	031-02203-000	031-02203-000
	2	Motor Protector	024-30907-000	024-30907-000	024-30907-000	024-30907-000	024-30907-000	024-30907-000	024-30907-000	024-30907-000	024-30907-000	024-30907-000
1G	2	Ground Lug	025-34089-000	025-34089-000	025-34089-000	025-34089-000	025-34089-000	025-34089-000	025-34089-000	025-34089-000	025-34089-000	025-34089-000
	3	Terminal Block (System 1)	025-38363-000	N/A	N/A	N/A	N/A	N/A	N/A	N/A	N/A	N/A
3A	3	Terminal Block (System 2)	025-38364-000	N/A	N/A	N/A	N/A	N/A	N/A	N/A	N/A	N/A
	1	Circuit Breaker (System 1)	N/A	025-34419-000	N/A	N/A	N/A	N/A	N/A	N/A	025-34419-000	025-34419-000
3B	1	Circuit Breaker (System 2)	N/A	024-31819-000	N/A	N/A	N/A	N/A	N/A	N/A	024-31819-000	024-31819-000
	1	NF Disconnect Switch (System 1)	N/A	N/A	024-30963-000	N/A	N/A	N/A	024-30963-000	024-30963-000	N/A	N/A
3C	1	NF Disconnect Switch (System 2)	N/A	N/A	024-31888-000	N/A	N/A	N/A	024-31888-000	024-31888-000	N/A	N/A
	2	MP Handle (CB & NFDS)	N/A	025-35697-000	025-35697-000	N/A	N/A	N/A	025-35697-000	025-35697-000	025-35697-000	025-35697-000
3J	2	MP Shaft (CB & NFDS)	N/A	025-35696-000	025-35696-000	N/A	N/A	N/A	025-35696-000	025-35696-000	025-35696-000	025-35696-000
	2	Auxiliary Switch	N/A	024-31646-000	024-31646-000	N/A	N/A	N/A	024-31646-000	024-31646-000	024-31646-000	024-31646-000
4A	1	MP Ground Lug (Sys 1)	025-34088-000	025-34089-000	025-34089-000	N/A	N/A	N/A	025-34089-000	025-34089-000	025-34089-000	025-34089-000
	1	MP Ground Lug (Sys 2)	025-34089-000	025-34088-000	025-34088-000	N/A	N/A	N/A	025-34088-000	025-34088-000	025-34088-000	025-34088-000
4B	1	Single Point TB	N/A	N/A	N/A	025-38370-000	N/A	N/A	N/A	025-38370-000	025-38370-000	N/A
	1	Single Point CB	N/A	N/A	N/A	N/A	025-34424-000	N/A	025-34424-000	N/A	N/A	N/A
4C	1	Single Point NFDS	N/A	N/A	N/A	N/A	N/A	024-30964-000	N/A	N/A	N/A	024-30964-000
	1	SP Handle (CB & NFDS)	N/A	N/A	N/A	N/A	025-35697-000	025-35697-000	025-35697-000	N/A	N/A	025-35697-000
4C	1	SP Shaft (CB & NFDS)	N/A	N/A	N/A	N/A	025-35696-000	025-35696-000	025-35696-000	N/A	N/A	025-35696-000
	1	SP Ground Lug	N/A	N/A	N/A	025-34085-000	025-34089-000	025-34089-000	025-34089-000	025-34085-000	025-34085-000	025-34089-000

XX*	Multi Point supply TB	SD*	Single Point supply NFDS w/ Separate System TBs
MB*	Multi Point supply CBs	CS*	Single Point supply CB w/ Separate System NFDSs
MD*	Multi Point supply NFDSs	SS*	Single Point supply TB w/ Separate System NFDSs
SX*	Single Point supply TB w/ Separate System TBs	SB*	Single Point TB supply w/ Separate System CBs
BX*	Single Point supply CB w/ Separate System TBs	DB*	Single Point NFDS supply w/ Separate System CBs

S Recommended Spare Part
***Service Note:**
 Locate the PANEL NUMBER sticker on the upper right hand corner of the power panel, then refer to the appropriate parts list for that number. Or, identify PIN number positions 16 and 17 on unit identification plate (See example on Page 4) then compare to table at right for power configuration options.

OPTIONS AND POWER PANEL COMPONENTS (CONT'D)

TABLE 12 – ACROSS-THE-LINE POWER PANEL COMPONENTS - MODEL YCAS0158-58 (SEE FIGS. 9-13, PAGES 30-36)

YCAS0158-58												
Item	Qty	Description	371-04115-105 XX*	371-04115-205 MB*	371-04115-305 MD*	371-04115-755 SX*	371-04115-605 BX*	371-04115-705 SD*	371-04115-805 CS*	371-04115-905 SS*	371-04115-405 SB*	371-04115-505 DB*
1A	1	Compressor Contactor (System 1)	024-31891-000	024-31891-000	024-31891-000	024-31891-000	024-31891-000	024-31891-000	024-31891-000	024-31891-000	024-31891-000	024-31891-000
	1	Compressor Contactor (System 2)	024-31110-000	024-31110-000	024-31110-000	024-31110-000	024-31110-000	024-31110-000	024-31110-000	024-31110-000	024-31110-000	024-31110-000
1C	2	Surge Suppressor	031-02203-000	031-02203-000	031-02203-000	031-02203-000	031-02203-000	031-02203-000	031-02203-000	031-02203-000	031-02203-000	031-02203-000
	2	Motor Protector	024-30907-000	024-30907-000	024-30907-000	024-30907-000	024-30907-000	024-30907-000	024-30907-000	024-30907-000	024-30907-000	024-30907-000
1G			025-34089-000	025-34089-000	025-34089-000	025-34089-000	025-34089-000	025-34089-000	025-34089-000	025-34089-000	025-34089-000	025-34089-000
	2	Ground Lug	025-34088-000	025-34088-000	025-34088-000	025-34088-000	025-34088-000	025-34088-000	025-34088-000	025-34088-000	025-34088-000	025-34088-000
	3	Terminal Block (System 1)	025-38363-000	N/A	N/A	N/A	N/A	N/A	N/A	N/A	N/A	N/A
	3	Terminal Block (System 2)	025-38363-000	N/A	N/A	N/A	N/A	N/A	N/A	N/A	N/A	N/A
3A	1	Circuit Breaker (System 1)	N/A	025-34419-000	N/A	N/A	N/A	N/A	N/A	N/A	025-34419-000	025-34419-000
	1	Circuit Breaker (System 2)	N/A	024-31649-000	N/A	N/A	N/A	N/A	N/A	N/A	024-31649-000	024-31649-000
	1	NF Disconnect Switch (System 1)	N/A	N/A	024-31888-000	N/A	N/A	N/A	024-31888-000	024-31888-000	N/A	N/A
	1	NF Disconnect Switch (System 2)	N/A	N/A	024-30963-000	N/A	N/A	N/A	024-30963-000	024-30963-000	N/A	N/A
3B	2	MP Handle (CB & NFDS)	N/A	025-35697-000	025-35697-000	N/A	N/A	N/A	025-35697-000	025-35697-000	025-35697-000	025-35697-000
	2	MP Shaft (CB & NFDS)	N/A	025-35696-000	025-35696-000	N/A	N/A	N/A	025-35696-000	025-35696-000	025-35696-000	025-35696-000
3C	2	Auxiliary Switch	N/A	024-31646-000	024-31646-000	N/A	N/A	N/A	024-31646-000	024-31646-000	024-31646-000	024-31646-000
	2		025-34088-000	025-34089-000	025-34089-000	N/A	N/A	N/A	025-34089-000	025-34089-000	025-34089-000	025-34089-000
3J	2	MP Ground Lug	025-34088-000	025-34088-000	025-34088-000				025-34088-000	025-34088-000	025-34088-000	025-34088-000
	1	Single Point TB	N/A	N/A	N/A	025-38370-000	N/A	N/A	N/A	025-38370-000	025-38370-000	N/A
4A	1	Single Point CB	N/A	N/A	N/A	N/A	025-34424-000	N/A	025-34424-000	N/A	N/A	N/A
	1	Single Point NFDS	N/A	N/A	N/A	N/A	N/A	024-30964-000	N/A	N/A	N/A	024-30964-000
4B	1	SP Handle (CB & NFDS)	N/A	N/A	N/A	N/A	025-35697-000	025-35697-000	025-35697-000	N/A	N/A	025-35697-000
	1	SP Shaft (CB & NFDS)	N/A	N/A	N/A	N/A	025-35696-000	025-35696-000	025-35696-000	N/A	N/A	025-35696-000
4C	1	SP Ground Lug	N/A	N/A	N/A	025-34085-000	025-34089-000	025-34089-000	025-34085-000	025-34085-000	025-34085-000	025-34089-000

XX*	Multi Point supply TB	SD*	Single Point supply NFDS w/ Separate System TBs
MB*	Multi Point supply CBs <td>CS*</td> <td>Single Point supply CB w/ Separate System NFDSs</td>	CS*	Single Point supply CB w/ Separate System NFDSs
MD*	Multi Point supply NFDSs <td>SS*</td> <td>Single Point supply TB w/ Separate System NFDSs</td>	SS*	Single Point supply TB w/ Separate System NFDSs
SX*	Single Point supply TB w/ Separate System TBs <td>SB*</td> <td>Single Point TB supply w/ Separate System CBs</td>	SB*	Single Point TB supply w/ Separate System CBs
BX*	Single Point supply CB w/ Separate System TBs <td>DB*</td> <td>Single Point NFDS supply w/ Separate System CBs</td>	DB*	Single Point NFDS supply w/ Separate System CBs

S Recommended Spare Part
***Service Note:**
 Locate the PANEL NUMBER sticker on the upper right hand corner of the power panel, then refer to the appropriate parts list for that number. Or, identify PIN number positions 16 and 17 on unit identification plate (See example on Page 4) then compare to table at right for power configuration options.



OPTIONS AND POWER PANEL COMPONENTS (CONT'D)

TABLE 12 – ACROSS-THE-LINE POWER PANEL COMPONENTS - MODEL YCAS0178-40 (SEE FIGS. 9-13, PAGES 30-36)

YCAS0178-40												
Item	Qty	Description	371-04115-119 XX*	371-04115-219 MB*	371-04115-319 MD*	371-04115-769 SX*	371-04115-619 BX*	371-04115-719 SD*	371-04115-819 CS*	371-04115-919 SS*	371-04115-419 SB*	371-04115-519 DB*
1A	1	Compressor Contactor (System 1)	024-31893-000	024-31893-000	024-31893-000	024-31893-000	024-31893-000	024-31893-000	024-31893-000	024-31893-000	024-31893-000	024-31893-000
	1	Compressor Contactor (System 2)	024-31893-000	024-31893-000	024-31893-000	024-31893-000	024-31893-000	024-31893-000	024-31893-000	024-31893-000	024-31893-000	024-31893-000
1C	2	Surge Suppressor	031-02203-000	031-02203-000	031-02203-000	031-02203-000	031-02203-000	031-02203-000	031-02203-000	031-02203-000	031-02203-000	031-02203-000
1G\$	2	Motor Protector	024-30907-000	024-30907-000	024-30907-000	024-30907-000	024-30907-000	024-30907-000	024-30907-000	024-30907-000	024-30907-000	024-30907-000
1I	2	Ground Lug	025-34089-000	025-34089-000	025-34089-000	025-34089-000	025-34089-000	025-34089-000	025-34089-000	025-34089-000	025-34089-000	025-34089-000
3A	3	Terminal Block (System 1)	025-38364-000	N/A	N/A	N/A	N/A	N/A	N/A	N/A	N/A	N/A
	3	Terminal Block (System 2)	025-38364-000	N/A	N/A	N/A	N/A	N/A	N/A	N/A	N/A	N/A
3B	1	Circuit Breaker (System 1)	N/A	025-34424-000	N/A	N/A	N/A	N/A	N/A	N/A	025-34424-000	025-34424-000
	1	Circuit Breaker (System 2)	N/A	025-34424-000	N/A	N/A	N/A	N/A	N/A	N/A	025-34424-000	025-34424-000
3C	1	NF Disconnect Switch (System 1)	N/A	N/A	024-30963-000	N/A	N/A	N/A	024-30963-000	024-30963-000	N/A	N/A
	1	NF Disconnect Switch (System 2)	N/A	N/A	024-30963-000	N/A	N/A	N/A	024-30963-000	024-30963-000	N/A	N/A
3J	2	MP Handle (CB & NFDS)	N/A	025-35697-000	025-35697-000	N/A	N/A	N/A	025-35697-000	025-35697-000	025-35697-000	025-35697-000
	2	MP Shaft (CB & NFDS)	N/A	025-35696-000	025-35696-000	N/A	N/A	N/A	025-35696-000	025-35696-000	025-35696-000	025-35696-000
4A	2	Auxiliary Switch	N/A	024-31646-000	024-31646-000	N/A	N/A	N/A	024-31646-000	024-31646-000	024-31646-000	024-31646-000
	2	MP Ground Lug	025-34089-000	025-34085-000	025-34089-000	N/A	N/A	N/A	025-34089-000	025-34085-000	025-34085-000	025-34085-000
4B	1	Single Point TB	N/A	N/A	N/A	025-38364-000	N/A	N/A	N/A	025-38364-000	N/A	N/A
	1	Single Point CB	N/A	N/A	N/A	N/A	025-34425-000	N/A	025-34425-000	N/A	N/A	N/A
4C	1	Single Point NFDS	N/A	N/A	N/A	N/A	N/A	024-30965-000	N/A	N/A	N/A	024-30965-000
	1	SP Handle (CB & NFDS)	N/A	N/A	N/A	N/A	025-35697-000	025-35697-000	025-35697-000	N/A	N/A	025-35697-000
4C	1	SP Shaft (CB & NFDS)	N/A	N/A	N/A	N/A	025-35696-000	025-35696-000	025-35696-000	N/A	N/A	025-35696-000
	1	SP Ground Lug	N/A	N/A	N/A	025-34089-000	025-34085-000	025-34085-000	025-34085-000	025-34089-000	025-34089-000	025-34085-000

\$ Recommended Spare Part

***Service Note:**

Locate the PANEL NUMBER sticker on the upper right hand corner of the power panel, then refer to the appropriate parts list for that number. Or, identify PIN number positions 16 and 17 on unit identification plate (See example on Page 4) then compare to table at right for power configuration options.

XX*	Multi Point supply TB	SD*	Single Point supply NFDS w/ Separate System TBs
MB*	Multi Point supply CBs	CS*	Single Point supply CB w/ Separate System NFDSs
MD*	Multi Point supply NFDSs	SS*	Single Point supply TB w/ Separate System NFDSs
SX*	Single Point supply TB w/ Separate System TBs	SB*	Single Point TB supply w/ Separate System CBs
BX*	Single Point supply CB w/ Separate System TBs	DB*	Single Point NFDS supply w/ Separate System CBs

OPTIONS AND POWER PANEL COMPONENTS (CONT'D)

TABLE 12 – ACROSS-THE-LINE POWER PANEL COMPONENTS - MODEL YCAS0178-46 (SEE FIGS. 9-13, PAGES 30-36)

YCAS0178-46												
Item	Qty	Description	371-04115-114 XX*	371-04115-214 MB*	371-04115-314 MD*	371-04115-764 SX*	371-04115-614 BX*	371-04115-714 SD*	371-04115-814 CS*	371-04115-914 SS*	371-04115-414 SB*	371-04115-514 DB*
1A	1	Compressor Contactor (System 1)	024-31892-000	024-31892-000	024-31892-000	024-31892-000	024-31892-000	024-31892-000	024-31892-000	024-31892-000	024-31892-000	024-31892-000
	1	Compressor Contactor (System 2)	024-31892-000	024-31892-000	024-31892-000	024-31892-000	024-31892-000	024-31892-000	024-31892-000	024-31892-000	024-31892-000	024-31892-000
1C	2	Surge Suppressor	031-02203-000	031-02203-000	031-02203-000	031-02203-000	031-02203-000	031-02203-000	031-02203-000	031-02203-000	031-02203-000	031-02203-000
1G\$	2	Motor Protector	024-30907-000	024-30907-000	024-30907-000	024-30907-000	024-30907-000	024-30907-000	024-30907-000	024-30907-000	024-30907-000	024-30907-000
1I	2	Ground Lug	025-34089-000	025-34089-000	025-34089-000	025-34089-000	025-34089-000	025-34089-000	025-34089-000	025-34089-000	025-34089-000	025-34089-000
3A	3	Terminal Block (System 1)	025-38364-000	N/A	N/A	N/A	N/A	N/A	N/A	N/A	N/A	N/A
	3	Terminal Block (System 2)	025-38364-000	N/A	N/A	N/A	N/A	N/A	N/A	N/A	N/A	N/A
	1	Circuit Breaker (System 1)	N/A	025-34419-000	N/A	N/A	N/A	N/A	N/A	N/A	025-34419-000	025-34419-000
	1	Circuit Breaker (System 2)	N/A	025-34419-000	N/A	N/A	N/A	N/A	N/A	N/A	025-34419-000	025-34419-000
3B	1	NF Disconnect Switch (System 1)	N/A	N/A	024-30963-000	N/A	N/A	N/A	024-30963-000	024-30963-000	N/A	N/A
	1	NF Disconnect Switch (System 2)	N/A	N/A	024-30963-000	N/A	N/A	N/A	024-30963-000	024-30963-000	N/A	N/A
3C	2	MP Handle (CB & NFDS)	N/A	025-35697-000	025-35697-000	N/A	N/A	N/A	025-35697-000	025-35697-000	025-35697-000	025-35697-000
	2	MP Shaft (CB & NFDS)	N/A	025-35696-000	025-35696-000	N/A	N/A	N/A	025-35696-000	025-35696-000	025-35696-000	025-35696-000
3J	2	Auxiliary Switch	N/A	024-31646-000	024-31646-000	N/A	N/A	N/A	024-31646-000	024-31646-000	024-31646-000	024-31646-000
	2	MP Ground Lug	025-34089-000	025-34089-000	025-34089-000	N/A	N/A	N/A	025-34089-000	025-34089-000	025-34089-000	025-34089-000
4A	1	Single Point TB	N/A	N/A	N/A	025-38364-000	N/A	N/A	N/A	025-38364-000	025-38364-000	N/A
	1	Single Point CB	N/A	N/A	N/A	N/A	025-34424-000	N/A	025-34424-000	N/A	N/A	N/A
	1	Single Point NFDS	N/A	N/A	N/A	N/A	N/A	024-30964-000	N/A	N/A	N/A	024-30964-000
4B	1	SP Handle (CB & NFDS)	N/A	N/A	N/A	N/A	025-35697-000	025-35697-000	025-35697-000	N/A	N/A	025-35697-000
	1	SP Shaft (CB & NFDS)	N/A	N/A	N/A	N/A	025-35696-000	025-35696-000	025-35696-000	N/A	N/A	025-35696-000
4C	1	SP Ground Lug	N/A	N/A	N/A	025-34089-000	025-34089-000	025-34089-000	025-34089-000	025-34089-000	025-34089-000	025-34089-000

XX*	Multi Point supply TB	SD*	Single Point supply NFDS w/ Separate System TBs
MB*	Multi Point supply CBs	CS*	Single Point supply CB w/ Separate System NFDSs
MD*	Multi Point supply NFDSs	SS*	Single Point supply TB w/ Separate System NFDSs
SX*	Single Point supply TB w/ Separate System TBs	SB*	Single Point TB supply w/ Separate System CBs
BX*	Single Point supply CB w/ Separate System TBs	DB*	Single Point NFDS supply w/ Separate System CBs

S Recommended Spare Part

***Service Note:**
 Locate the PANEL NUMBER sticker on the upper right hand corner of the power panel, then refer to the appropriate parts list for that number. Or, identify PIN number positions 16 and 17 on unit identification plate (See example on Page 4) then compare to table at right for power configuration options.



OPTIONS AND POWER PANEL COMPONENTS (CONT'D)

TABLE 12 – ACROSS-THE-LINE POWER PANEL COMPONENTS - MODEL YCAS0178-58 (SEE FIGS. 9-13, PAGES 30-36)

YCAS0178-58												
Item	Qty	Description	371-04115-106 XX*	371-04115-207 MB*	371-04115-306 MD*	371-04115-756 SX*	371-04115-606 BX*	371-04115-706 SD*	371-04115-806 CS*	371-04115-906 SS*	371-04115-409 SB*	371-04115-509 DB*
1A	1	Compressor Contactor (System 1)	024-31891-000	024-31891-000	024-31891-000	024-31891-000	024-31891-000	024-31891-000	024-31891-000	024-31891-000	024-31891-000	024-31891-000
	1	Compressor Contactor (System 2)	024-31891-000	024-31891-000	024-31891-000	024-31891-000	024-31891-000	024-31891-000	024-31891-000	024-31891-000	024-31891-000	024-31891-000
1C	2	Surge Suppressor	031-02203-000	031-02203-000	031-02203-000	031-02203-000	031-02203-000	031-02203-000	031-02203-000	031-02203-000	031-02203-000	031-02203-000
	2	Motor Protector	024-30907-000	024-30907-000	024-30907-000	024-30907-000	024-30907-000	024-30907-000	024-30907-000	024-30907-000	024-30907-000	024-30907-000
1I	2	Ground Lug	025-34089-000	025-34089-000	025-34089-000	025-34089-000	025-34089-000	025-34089-000	025-34089-000	025-34089-000	025-34089-000	025-34089-000
	3	Terminal Block (System 1)	025-38363-000	N/A	N/A	N/A	N/A	N/A	N/A	N/A	N/A	N/A
3A	3	Terminal Block (System 2)	025-38363-000	N/A	N/A	N/A	N/A	N/A	N/A	N/A	N/A	N/A
	1	Circuit Breaker (System 1)	N/A	025-34419-000	N/A	N/A	N/A	N/A	N/A	N/A	025-34419-000	025-34419-000
3B	1	Circuit Breaker (System 2)	N/A	025-34419-000	N/A	N/A	N/A	N/A	N/A	N/A	025-34419-000	025-34419-000
	1	NF Disconnect Switch (System 1)	N/A	N/A	024-31888-000	N/A	N/A	N/A	024-31888-000	024-31888-000	N/A	N/A
3C	1	NF Disconnect Switch (System 2)	N/A	N/A	024-31888-000	N/A	N/A	N/A	024-31888-000	024-31888-000	N/A	N/A
	2	MP Handle (CB & NFDS)	N/A	025-35697-000	025-35697-000	N/A	N/A	N/A	025-35697-000	025-35697-000	025-35697-000	025-35697-000
3J	2	MP Shaft (CB & NFDS)	N/A	025-35696-000	025-35696-000	N/A	N/A	N/A	025-35696-000	025-35696-000	025-35696-000	025-35696-000
	2	Auxiliary Switch	N/A	024-31646-000	024-31646-000	N/A	N/A	N/A	024-31646-000	024-31646-000	024-31646-000	024-31646-000
4A	2	MP Ground Lug	025-34088-000	025-34089-000	025-34088-000	N/A	N/A	N/A	025-34088-000	025-34088-000	025-34089-000	025-34089-000
	1	Single Point TB	N/A	N/A	N/A	025-38370-000	N/A	N/A	N/A	025-38370-000	025-38370-000	N/A
4B	1	Single Point CB	N/A	N/A	N/A	N/A	025-34424-000	N/A	N/A	N/A	N/A	N/A
	1	Single Point NFDS	N/A	N/A	N/A	N/A	N/A	024-30964-000	N/A	N/A	N/A	024-30964-000
4C	1	SP Handle (CB & NFDS)	N/A	N/A	N/A	N/A	025-35697-000	025-35697-000	025-35697-000	N/A	N/A	025-35697-000
	1	SP Shaft (CB & NFDS)	N/A	N/A	N/A	N/A	025-35696-000	025-35696-000	025-35696-000	N/A	N/A	025-35696-000
4C	1	SP Ground Lug	N/A	N/A	N/A	025-34085-000	025-34089-000	025-34089-000	025-34085-000	025-34085-000	025-34085-000	025-34089-000

S Recommended Spare Part

***Service Note:**
 Locate the PANEL NUMBER sticker on the upper right hand corner of the power panel, then refer to the appropriate parts list for that number. Or, identify PIN number positions 16 and 17 on unit identification plate (See example on Page 4) then compare to table at right for power configuration options.

	Multi Point supply TB	SD*	Single Point supply NFDS w/ Separate System TBs
XX*	Multi Point supply TB	SD*	Single Point supply NFDS w/ Separate System TBs
MB*	Multi Point supply CBs	CS*	Single Point supply CB w/ Separate System NFDSs
MD*	Multi Point supply NFDSs	SS*	Single Point supply TB w/ Separate System NFDSs
SX*	Single Point supply TB w/ Separate System TBs	SB*	Single Point TB supply w/ Separate System CBs
BX*	Single Point supply CB w/ Separate System TBs	DB*	Single Point NFDS supply w/ Separate System CBs

OPTIONS AND POWER PANEL COMPONENTS (CONT'D)

TABLE 12 – ACROSS-THE-LINE POWER PANEL COMPONENTS - MODEL YCAS0198-40 (SEE FIGS. 9-13, PAGES 30-36)

YCAS0198-40												
Item	Qty	Description	371-04115-123 XX*	371-04115-220 MB*	371-04115-320 MD*	371-04115-770 SX*	371-04115-623 BX*	371-04115-720 SD*	371-04115-823 CS*	371-04115-923 SS*	371-04115-423 SB*	371-04115-520 DB*
1A	1	Compressor Contactor (System 1)	024-31893-000	024-31893-000	024-31893-000	024-31893-000	024-31893-000	024-31893-000	024-31893-000	024-31893-000	024-31893-000	024-31893-000
	1	Compressor Contactor (System 2)	024-31892-000	024-31892-000	024-31892-000	024-31892-000	024-31892-000	024-31892-000	024-31892-000	024-31892-000	024-31892-000	024-31892-000
1C	2	Surge Suppressor	031-02203-000	031-02203-000	031-02203-000	031-02203-000	031-02203-000	031-02203-000	031-02203-000	031-02203-000	031-02203-000	031-02203-000
1G ^S	2	Motor Protector	024-30907-000	024-30907-000	024-30907-000	024-30907-000	024-30907-000	024-30907-000	024-30907-000	024-30907-000	024-30907-000	024-30907-000
	2	Ground Lug	025-34089-000	025-34089-000	025-34089-000	025-34089-000	025-34089-000	025-34089-000	025-34089-000	025-34089-000	025-34089-000	025-34089-000
3A	3	Terminal Block (System 1)	025-38370-000	N/A	N/A	N/A	N/A	N/A	N/A	N/A	N/A	N/A
	3	Terminal Block (System 2)	025-38364-000	N/A	N/A	N/A	N/A	N/A	N/A	N/A	N/A	N/A
	1	Circuit Breaker (System 1)	N/A	025-34424-000	N/A	N/A	N/A	N/A	N/A	N/A	025-34424-000	025-34424-000
	1	Circuit Breaker (System 2)	N/A	025-34424-000	N/A	N/A	N/A	N/A	N/A	N/A	025-34424-000	025-34424-000
3B	1	NF Disconnect Switch (System 1)	N/A	N/A	024-30964-000	N/A	N/A	N/A	024-30964-000	024-30964-000	N/A	N/A
	1	NF Disconnect Switch (System 2)	N/A	N/A	024-30963-000	N/A	N/A	N/A	024-30963-000	024-30963-000	N/A	N/A
3C	2	MP Handle (CB & NFDS)	N/A	025-35697-000	025-35697-000	N/A	N/A	N/A	025-35697-000	025-35697-000	025-35697-000	025-35697-000
	2	MP Shaft (CB & NFDS)	N/A	025-35696-000	025-35696-000	N/A	N/A	N/A	025-35696-000	025-35696-000	025-35696-000	025-35696-000
3J	1	Auxiliary Switch	N/A	024-31646-000	024-31646-000	N/A	N/A	N/A	024-31646-000	024-31646-000	024-31646-000	024-31646-000
	1	MP Ground Lug (Sys 1)	025-34085-000	025-34085-000	025-34085-000	N/A	N/A	N/A	025-34085-000	025-34085-000	025-34085-000	025-34085-000
4A	1	MP Ground Lug (Sys 2)	025-34089-000	025-34089-000	025-34089-000	N/A	N/A	N/A	025-34089-000	025-34089-000	025-34089-000	025-34089-000
	1	Single Point TB	N/A	N/A	N/A	025-38364-000	N/A	N/A	N/A	025-38364-000	025-38364-000	N/A
4B	1	Single Point CB	N/A	N/A	N/A	N/A	025-34425-000	N/A	025-34425-000	N/A	N/A	N/A
	1	Single Point NFDS	N/A	N/A	N/A	N/A	N/A	024-30965-000	N/A	N/A	N/A	024-30965-000
4B	1	SP Handle (CB & NFDS)	N/A	N/A	N/A	N/A	025-35697-000	025-35697-000	025-35697-000	N/A	N/A	025-35697-000
	1	SP Shaft (CB & NFDS)	N/A	N/A	N/A	N/A	025-35696-000	025-35696-000	025-35696-000	N/A	N/A	025-35696-000

S Recommended Spare Part

***Service Note:**
 Locate the PANEL NUMBER sticker on the upper right hand corner of the power panel, then refer to the appropriate parts list for that number. Or, identify PIN number positions 16 and 17 on unit identification plate (See example on Page 4) then compare to table at right for power configuration options.

XX*	Multi Point supply TB	SD*	Single Point supply NFDS w/ Separate System TBs
MB*	Multi Point supply CBs <td>CS*</td> <td>Single Point supply CB w/ Separate System NFDSs</td>	CS*	Single Point supply CB w/ Separate System NFDSs
MD*	Multi Point supply NFDSs <td>SS*</td> <td>Single Point supply TB w/ Separate System NFDSs</td>	SS*	Single Point supply TB w/ Separate System NFDSs
SX*	Single Point supply TB w/ Separate System TBs <td>SB*</td> <td>Single Point TB supply w/ Separate System CBs</td>	SB*	Single Point TB supply w/ Separate System CBs
BX*	Single Point supply CB w/ Separate System TBs <td>DB*</td> <td>Single Point NFDS supply w/ Separate System CBs</td>	DB*	Single Point NFDS supply w/ Separate System CBs



OPTIONS AND POWER PANEL COMPONENTS (CONT'D)

TABLE 12 – ACROSS-THE-LINE POWER PANEL COMPONENTS - MODEL YCAS0198-46 (SEE FIGS. 9-13, PAGES 30-36)

YCAS0198-46												
Item	Qty	Description	371-04115-124 XX*	371-04115-224 MB*	371-04115-324 MD*	371-04115-774 SX*	371-04115-626 BX*	371-04115-724 SD*	371-04115-824 CS*	371-04115-912 SS*	371-04115-424 SB*	371-04115-524 DB*
1A	1	Compressor Contactor (System 1)	024-31893-000	024-31893-000	024-31893-000	024-31893-000	024-31893-000	024-31893-000	024-31893-000	024-31893-000	024-31893-000	024-31893-000
	1	Compressor Contactor (System 2)	024-31892-000	024-31892-000	024-31892-000	024-31892-000	024-31892-000	024-31892-000	024-31892-000	024-31892-000	024-31892-000	024-31892-000
1C	2	Surge Suppressor	031-02203-000	031-02203-000	031-02203-000	031-02203-000	031-02203-000	031-02203-000	031-02203-000	031-02203-000	031-02203-000	031-02203-000
	2	Motor Protector	024-30907-000	024-30907-000	024-30907-000	024-30907-000	024-30907-000	024-30907-000	024-30907-000	024-30907-000	024-30907-000	024-30907-000
1I	2	Ground Lug	025-34089-000	025-34089-000	025-34089-000	025-34089-000	025-34089-000	025-34089-000	025-34089-000	025-34089-000	025-34089-000	025-34089-000
	3	Terminal Block (System 1)	025-38364-000	N/A	N/A	N/A	N/A	N/A	N/A	N/A	N/A	N/A
3A	3	Terminal Block (System 2)	025-38364-000	N/A	N/A	N/A	N/A	N/A	N/A	N/A	N/A	N/A
	1	Circuit Breaker (System 1)	N/A	025-34424-000	N/A	N/A	N/A	N/A	N/A	N/A	025-34424-000	025-34424-000
3B	1	Circuit Breaker (System 2)	N/A	024-31819-000	N/A	N/A	N/A	N/A	N/A	N/A	024-31819-000	024-31819-000
	1	NF Disconnect Switch (System 1)	N/A	N/A	024-30963-000	N/A	N/A	N/A	024-30963-000	024-30963-000	N/A	N/A
3C	1	NF Disconnect Switch (System 2)	N/A	N/A	024-30963-000	N/A	N/A	N/A	024-30963-000	024-30963-000	N/A	N/A
	2	MP Handle (CB & NFDS)	N/A	025-35697-000	025-35697-000	N/A	N/A	N/A	025-35697-000	025-35697-000	025-35697-000	025-35697-000
3J	2	MP Shaft (CB & NFDS)	N/A	025-35696-000	025-35696-000	N/A	N/A	N/A	025-35696-000	025-35696-000	025-35696-000	025-35696-000
	2	Auxiliary Switch	N/A	024-31646-000	024-31646-000	N/A	N/A	N/A	024-31646-000	024-31646-000	024-31646-000	024-31646-000
4A	1	MP Ground Lug (Sys 1)	025-34085-000	025-34085-000	025-34089-000	N/A	N/A	N/A	025-34085-000	025-34085-000	025-34085-000	025-34085-000
	1	MP Ground Lug (Sys 2)	025-34088-000	025-34088-000	025-34089-000	N/A	N/A	N/A	025-34088-000	025-34088-000	025-34088-000	025-34088-000
4B	1	Single Point TB	N/A	N/A	N/A	025-38364-000	N/A	N/A	025-38364-000	025-38364-000	025-38364-000	N/A
	1	Single Point CB	N/A	N/A	N/A	N/A	025-34425-000	N/A	025-34425-000	N/A	N/A	N/A
4C	1	Single Point NFDS	N/A	N/A	N/A	N/A	N/A	024-30964-000	N/A	N/A	N/A	024-30965-000
	1	SP Handle (CB & NFDS)	N/A	N/A	N/A	N/A	025-35697-000	025-35697-000	025-35697-000	N/A	N/A	025-35697-000
4D	1	SP Shaft (CB & NFDS)	N/A	N/A	N/A	N/A	025-35696-000	025-35696-000	025-35696-000	N/A	N/A	025-35696-000
	1	SP Ground Lug	N/A	N/A	N/A	025-34089-000	025-34085-000	025-34089-000	025-34085-000	025-34089-000	025-34089-000	025-34085-000

XX*	Multi Point supply TB	SD*	Single Point supply NFDS w/ Separate System TBs
MB*	Multi Point supply CBs <td>CS*</td> <td>Single Point supply CB w/ Separate System NFDSs</td>	CS*	Single Point supply CB w/ Separate System NFDSs
MD*	Multi Point supply NFDSs <td>SS*</td> <td>Single Point supply TB w/ Separate System NFDSs</td>	SS*	Single Point supply TB w/ Separate System NFDSs
SX*	Single Point supply TB w/ Separate System TBs <td>SB*</td> <td>Single Point TB supply w/ Separate System CBs</td>	SB*	Single Point TB supply w/ Separate System CBs
BX*	Single Point supply CB w/ Separate System TBs <td>DB*</td> <td>Single Point NFDS supply w/ Separate System CBs</td>	DB*	Single Point NFDS supply w/ Separate System CBs

S Recommended Spare Part
***Service Note:**
 Locate the PANEL NUMBER sticker on the upper right hand corner of the power panel, then refer to the appropriate parts list for that number. Or, identify PIN number positions 16 and 17 on unit identification plate (See example on Page 4) then compare to table at right for power configuration options.

OPTIONS AND POWER PANEL COMPONENTS (CONT'D)

TABLE 12 – ACROSS-THE-LINE POWER PANEL COMPONENTS - MODEL YCAS0198-58 (SEE FIGS. 9-13, PAGES 30-36)

		YCAS0198-58																
Item	Qty	Description	371-04115-109 XX*	371-04115-212 MB*	371-04115-309 MD*	371-04115-759 SX*	371-04115-609 BX*	371-04115-709 SD*	371-04115-809 CS*	371-04115-909 SS*	371-04115-412 SB*	371-04115-512 DB*						
1A	1	Compressor Contactor (System 1)	024-31892-000	024-31892-000	024-31892-000	024-31892-000	024-31892-000	024-31892-000	024-31892-000	024-31892-000	024-31892-000	024-31892-000	024-31892-000					
	1	Compressor Contactor (System 2)	024-31891-000	024-31891-000	024-31891-000	024-31891-000	024-31891-000	024-31891-000	024-31891-000	024-31891-000	024-31891-000	024-31891-000	024-31891-000					
1C	2	Surge Suppressor	031-02203-000	031-02203-000	031-02203-000	031-02203-000	031-02203-000	031-02203-000	031-02203-000	031-02203-000	031-02203-000	031-02203-000						
1G\$	2	Motor Protector	024-30907-000	024-30907-000	024-30907-000	024-30907-000	024-30907-000	024-30907-000	024-30907-000	024-30907-000	024-30907-000	024-30907-000	024-30907-000					
	2	Ground Lug	025-34089-000	025-34089-000	025-34089-000	025-34089-000	025-34089-000	025-34089-000	025-34089-000	025-34089-000	025-34089-000	025-34089-000	025-34089-000					
3A	3	Terminal Block (System 1)	025-38363-000	N/A	N/A	N/A	N/A	N/A	N/A	N/A	N/A	N/A	N/A					
	3	Terminal Block (System 2)	025-38364-000	N/A	N/A	N/A	N/A	N/A	N/A	N/A	N/A	N/A	N/A					
	1	Circuit Breaker (System 1)	N/A	025-34419-000	N/A	N/A	N/A	N/A	N/A	N/A	N/A	025-34419-000	025-34419-000					
	1	Circuit Breaker (System 2)	N/A	025-34419-000	N/A	N/A	N/A	N/A	N/A	N/A	N/A	025-34419-000	025-34419-000					
3B	1	NF Disconnect Switch (System 1)	N/A	N/A	024-30963-000	N/A	N/A	N/A	024-30963-000	024-30963-000	N/A	N/A	N/A					
	1	NF Disconnect Switch (System 2)	N/A	N/A	024-31888-000	N/A	N/A	N/A	024-31888-000	024-31888-000	N/A	N/A	N/A					
3C	2	MP Handle (CB & NFDS)	N/A	025-35697-000	025-35697-000	N/A	N/A	N/A	025-35697-000	025-35697-000	025-35697-000	025-35697-000	025-35697-000					
	2	MP Shaft (CB & NFDS)	N/A	025-35696-000	025-35696-000	N/A	N/A	N/A	025-35696-000	025-35696-000	025-35696-000	025-35696-000	025-35696-000					
3J	2	Auxiliary Switch	N/A	024-31646-000	024-31646-000	N/A	N/A	N/A	024-31646-000	024-31646-000	024-31646-000	024-31646-000	024-31646-000					
	1	MP Ground Lug (Sys 1)	025-34088-000	025-34089-000	025-34089-000	N/A	N/A	N/A	025-34089-000	025-34089-000	025-34089-000	025-34089-000	025-34089-000					
4A	1	MP Ground Lug (Sys 2)	025-34089-000	025-34089-000	025-34089-000	N/A	N/A	N/A	025-34088-000	025-34088-000	025-34089-000	025-34089-000	025-34089-000					
	1	Single Point TB	N/A	N/A	N/A	025-38370-000	N/A	N/A	N/A	N/A	025-38370-000	N/A	N/A					
4B	1	Single Point CB	N/A	N/A	N/A	N/A	025-34424-000	N/A	025-34424-000	N/A	N/A	N/A	N/A					
	1	Single Point NFDS	N/A	N/A	N/A	N/A	N/A	024-30964-000	N/A	N/A	N/A	N/A	N/A					
4C	1	SP Handle (CB & NFDS)	N/A	N/A	N/A	N/A	025-35697-000	025-35697-000	025-35697-000	025-35697-000	N/A	025-35697-000	025-35697-000					
	1	SP Shaft (CB & NFDS)	N/A	N/A	N/A	N/A	025-35696-000	025-35696-000	025-35696-000	025-35696-000	N/A	025-35696-000	025-35696-000					
4C	1	SP Ground Lug	N/A	N/A	N/A	025-34085-000	025-34089-000	025-34089-000	025-34089-000	025-34089-000	025-34085-000	025-34089-000	025-34089-000					
	1	SP Ground Lug	N/A	N/A	N/A	025-34085-000	025-34089-000	025-34089-000	025-34089-000	025-34089-000	025-34085-000	025-34089-000	025-34089-000					

XX*	Multi Point supply TB	SD*	Single Point supply NFDS w/ Separate System TBs
MB*	Multi Point supply CBs <td>CS*</td> <td>Single Point supply CB w/ Separate System NFDSs</td>	CS*	Single Point supply CB w/ Separate System NFDSs
MD*	Multi Point supply NFDSs <td>SS*</td> <td>Single Point supply TB w/ Separate System NFDSs</td>	SS*	Single Point supply TB w/ Separate System NFDSs
SX*	Single Point supply TB w/ Separate System TBs <td>SB*</td> <td>Single Point TB supply w/ Separate System CBs</td>	SB*	Single Point TB supply w/ Separate System CBs
BX*	Single Point supply CB w/ Separate System TBs <td>DB*</td> <td>Single Point NFDS supply w/ Separate System CBs</td>	DB*	Single Point NFDS supply w/ Separate System CBs

S Recommended Spare Part

***Service Note:**
 Locate the PANEL NUMBER sticker on the upper right hand corner of the power panel, then refer to the appropriate parts list for that number. Or, identify PIN number positions 16 and 17 on unit identification plate (See example on Page 4) then compare to table at right for power configuration options.



OPTIONS AND POWER PANEL COMPONENTS (CONT'D)

TABLE 12 – ACROSS-THE-LINE POWER PANEL COMPONENTS - MODEL YCAS0208-40 (SEE FIGS. 9-13, PAGES 30-36)

YCAS0208-40												
Item	Qty	Description	371-04115-121 XX*	371-04115-219 MB*	371-04115-321 MD*	371-04115-771 SX*	371-04115-621 BX*	371-04115-721 SD*	371-04115-826 CS*	371-04115-926 SS*	371-04115-419 SB*	371-04115-519 DB*
1A	1	Compressor Contactor (System 1)	024-31893-000	024-31893-000	024-31893-000	024-31893-000	024-31893-000	024-31893-000	024-31893-000	024-31893-000	024-31893-000	024-31893-000
	1	Compressor Contactor (System 2)	024-31893-000	024-31893-000	024-31893-000	024-31893-000	024-31893-000	024-31893-000	024-31893-000	024-31893-000	024-31893-000	024-31893-000
1C	2	Surge Suppressor	031-02203-000	031-02203-000	031-02203-000	031-02203-000	031-02203-000	031-02203-000	031-02203-000	031-02203-000	031-02203-000	031-02203-000
1G\$	2	Motor Protector	024-30907-000	024-30907-000	024-30907-000	024-30907-000	024-30907-000	024-30907-000	024-30907-000	024-30907-000	024-30907-000	024-30907-000
1I	2	Ground Lug	025-34089-000	025-34089-000	025-34089-000	025-34089-000	025-34089-000	025-34089-000	025-34089-000	025-34089-000	025-34089-000	025-34089-000
3A	3	Terminal Block (System 1)	025-38370-000	N/A	N/A	N/A	N/A	N/A	N/A	N/A	N/A	N/A
	3	Terminal Block (System 2)	025-38370-000	N/A	N/A	N/A	N/A	N/A	N/A	N/A	N/A	N/A
3B	1	Circuit Breaker (System 1)	N/A	025-34424-000	N/A	N/A	N/A	N/A	N/A	N/A	025-34424-000	025-34424-000
	1	Circuit Breaker (System 2)	N/A	025-34424-000	N/A	N/A	N/A	N/A	N/A	N/A	025-34424-000	025-34424-000
3C	1	NF Disconnect Switch (System 1)	N/A	N/A	024-30964-000	N/A	N/A	N/A	024-30964-000	024-30964-000	N/A	N/A
	1	NF Disconnect Switch (System 2)	N/A	N/A	024-30964-000	N/A	N/A	N/A	024-30964-000	024-30964-000	N/A	N/A
3J	2	MP Handle (CB & NFDS)	N/A	025-35697-000	025-35697-000	N/A	N/A	N/A	025-35697-000	025-35697-000	025-35697-000	025-35697-000
	2	MP Shaft (CB & NFDS)	N/A	025-35696-000	025-35696-000	N/A	N/A	N/A	025-35696-000	025-35696-000	025-35696-000	025-35696-000
4A	2	Auxiliary Switch	N/A	024-31646-000	024-31646-000	N/A	N/A	N/A	024-31646-000	024-31646-000	024-31646-000	024-31646-000
	2	MP Ground Lug	025-34085-000	025-34085-000	025-34085-000	N/A	N/A	N/A	025-34085-000	025-34085-000	025-34085-000	025-34085-000
4B	1	Single Point TB	N/A	N/A	N/A	025-38364-000	N/A	N/A	N/A	025-38364-000	N/A	N/A
	1	Single Point CB	N/A	N/A	N/A	N/A	025-34425-000	N/A	025-34425-000	N/A	N/A	N/A
4C	1	Single Point NFDS	N/A	N/A	N/A	N/A	N/A	024-30965-000	N/A	N/A	N/A	024-30965-000
	1	SP Handle (CB & NFDS)	N/A	N/A	N/A	N/A	025-35697-000	025-35697-000	025-35697-000	N/A	N/A	025-35697-000
4C	1	SP Shaft (CB & NFDS)	N/A	N/A	N/A	N/A	025-35696-000	025-35696-000	025-35696-000	N/A	N/A	025-35696-000
	1	SP Ground Lug	N/A	N/A	N/A	025-34089-000	025-34089-000	025-34089-000	025-34089-000	025-34089-000	025-34089-000	025-34089-000

S Recommended Spare Part

***Service Note:**

Locate the PANEL NUMBER sticker on the upper right hand corner of the power panel, then refer to the appropriate parts list for that number. Or, identify PIN number positions 16 and 17 on unit identification plate (See example on Page 4) then compare to table at right for power configuration options.

XX*	Multi Point supply TB	SD*	Single Point supply NFDS w/ Separate System TBs
MB*	Multi Point supply CBs	CS*	Single Point supply CB w/ Separate System NFDSs
MD*	Multi Point supply NFDSs	SS*	Single Point supply TB w/ Separate System NFDSs
SX*	Single Point supply TB w/ Separate System TBs	SB*	Single Point TB supply w/ Separate System CBs
BX*	Single Point supply CB w/ Separate System TBs	DB*	Single Point NFDS supply w/ Separate System CBs

OPTIONS AND POWER PANEL COMPONENTS (CONT'D)

TABLE 12 – ACROSS-THE-LINE POWER PANEL COMPONENTS - MODEL YCAS0208-46 (SEE FIGS. 9-13, PAGES 30-36)

YCAS0208-46												
Item	Qty	Description	371-04115-119 XX*	371-04115-219 MB*	371-04115-319 MD*	371-04115-769 SX*	371-04115-619 BX*	371-04115-719 SD*	371-04115-819 CS*	371-04115-919 SS*	371-04115-419 SB*	371-04115-519 DB*
1A	1	Compressor Contactor (System 1)	024-31893-000	024-31893-000	024-31893-000	024-31893-000	024-31893-000	024-31893-000	024-31893-000	024-31893-000	024-31893-000	024-31893-000
	1	Compressor Contactor (System 2)	024-31893-000	024-31893-000	024-31893-000	024-31893-000	024-31893-000	024-31893-000	024-31893-000	024-31893-000	024-31893-000	024-31893-000
1C	2	Surge Suppressor	031-02203-000	031-02203-000	031-02203-000	031-02203-000	031-02203-000	031-02203-000	031-02203-000	031-02203-000	031-02203-000	031-02203-000
1G\$	2	Motor Protector	024-30907-000	024-30907-000	024-30907-000	024-30907-000	024-30907-000	024-30907-000	024-30907-000	024-30907-000	024-30907-000	024-30907-000
1I	2	Ground Lug	025-34089-000	025-34089-000	025-34089-000	025-34089-000	025-34089-000	025-34089-000	025-34089-000	025-34089-000	025-34089-000	025-34089-000
3A	3	Terminal Block (System 1)	025-38364-000	N/A	N/A	N/A	N/A	N/A	N/A	N/A	N/A	N/A
	3	Terminal Block (System 2)	025-38364-000	N/A	N/A	N/A	N/A	N/A	N/A	N/A	N/A	N/A
	1	Circuit Breaker (System 1)	N/A	025-34424-000	N/A	N/A	N/A	N/A	N/A	N/A	025-34424-000	025-34424-000
	1	Circuit Breaker (System 2)	N/A	025-34424-000	N/A	N/A	N/A	N/A	N/A	N/A	025-34424-000	025-34424-000
3B	1	NF Disconnect Switch (System 1)	N/A	N/A	024-30963-000	N/A	N/A	N/A	024-30963-000	024-30963-000	N/A	N/A
	1	NF Disconnect Switch (System 2)	N/A	N/A	024-30963-000	N/A	N/A	N/A	024-30963-000	024-30963-000	N/A	N/A
3C	2	MP Handle (CB & NFDS)	N/A	025-35697-000	025-35697-000	N/A	N/A	N/A	025-35697-000	025-35697-000	025-35697-000	025-35697-000
	2	MP Shaft (CB & NFDS)	N/A	025-35696-000	025-35696-000	N/A	N/A	N/A	025-35696-000	025-35696-000	025-35696-000	025-35696-000
3J	2	Auxiliary Switch	N/A	024-31646-000	024-31646-000	N/A	N/A	N/A	024-31646-000	024-31646-000	024-31646-000	024-31646-000
	2	MP Ground Lug	025-34089-000	025-34085-000	025-34089-000	N/A	N/A	N/A	025-34089-000	025-34089-000	025-34085-000	025-34085-000
4A	1	Single Point TB	N/A	N/A	N/A	025-38364-000	N/A	N/A	N/A	025-38364-000	025-38364-000	N/A
	1	Single Point CB	N/A	N/A	N/A	N/A	025-34425-000	N/A	025-34425-000	N/A	N/A	N/A
	1	Single Point NFDS	N/A	N/A	N/A	N/A	N/A	024-30965-000	N/A	N/A	N/A	024-30965-000
4B	1	SP Handle (CB & NFDS)	N/A	N/A	N/A	N/A	025-35697-000	025-35697-000	025-35697-000	N/A	N/A	025-35697-000
	1	SP Shaft (CB & NFDS)	N/A	N/A	N/A	N/A	025-35696-000	025-35696-000	025-35696-000	N/A	N/A	025-35696-000
4C	1	SP Ground Lug	N/A	N/A	N/A	025-34089-000	025-34085-000	025-34085-000	025-34085-000	025-34089-000	025-34089-000	025-34085-000

XX*	Multi Point supply TB	SD*	Single Point supply NFDS w/ Separate System TBs
MB*	Multi Point supply CBs <td>CS*</td> <td>Single Point supply CB w/ Separate System NFDSs</td>	CS*	Single Point supply CB w/ Separate System NFDSs
MD*	Multi Point supply NFDSs <td>SS*</td> <td>Single Point supply TB w/ Separate System NFDSs</td>	SS*	Single Point supply TB w/ Separate System NFDSs
SX*	Single Point supply TB w/ Separate System TBs <td>SB*</td> <td>Single Point TB supply w/ Separate System CBs</td>	SB*	Single Point TB supply w/ Separate System CBs
BX*	Single Point supply CB w/ Separate System TBs <td>DB*</td> <td>Single Point NFDS supply w/ Separate System CBs</td>	DB*	Single Point NFDS supply w/ Separate System CBs

S Recommended Spare Part

***Service Note:**
 Locate the PANEL NUMBER sticker on the upper right hand corner of the power panel, then refer to the appropriate parts list for that number. Or, identify PIN number positions 16 and 17 on unit identification plate (See example on Page 4) then compare to table at right for power configuration options.



OPTIONS AND POWER PANEL COMPONENTS (CONT'D)

TABLE 12 – ACROSS-THE-LINE POWER PANEL COMPONENTS - MODEL YCAS0208-58 (SEE FIGS. 9-13, PAGES 30-36)

YCAS0208-58												
Item	Qty	Description	371-04115-114 XX*	371-04115-214 MB*	371-04115-314 MD*	371-04115-765 SX*	371-04115-614 BX*	371-04115-714 SD*	371-04115-814 CS*	371-04115-915 SS*	371-04115-420 SB*	371-04115-514 DB*
1A	1	Compressor Contactor (System 1)	024-31892-000	024-31892-000	024-31892-000	024-31892-000	024-31892-000	024-31892-000	024-31892-000	024-31892-000	024-31892-000	024-31892-000
	1	Compressor Contactor (System 2)	024-31892-000	024-31892-000	024-31892-000	024-31892-000	024-31892-000	024-31892-000	024-31892-000	024-31892-000	024-31892-000	024-31892-000
1C	2	Surge Suppressor	031-02203-000	031-02203-000	031-02203-000	031-02203-000	031-02203-000	031-02203-000	031-02203-000	031-02203-000	031-02203-000	031-02203-000
1G\$	2	Motor Protector	024-30907-000	024-30907-000	024-30907-000	024-30907-000	024-30907-000	024-30907-000	024-30907-000	024-30907-000	024-30907-000	024-30907-000
	2	Ground Lug	025-34089-000	025-34089-000	025-34089-000	025-34089-000	025-34089-000	025-34089-000	025-34089-000	025-34089-000	025-34089-000	025-34089-000
3A	3	Terminal Block (System 1)	025-38364-000	N/A	N/A	N/A	N/A	N/A	N/A	N/A	N/A	N/A
	3	Terminal Block (System 2)	025-38364-000	N/A	N/A	N/A	N/A	N/A	N/A	N/A	N/A	N/A
	1	Circuit Breaker (System 1)	N/A	025-34419-000	N/A	N/A	N/A	N/A	N/A	N/A	025-34419-000	025-34419-000
3B	1	Circuit Breaker (System 2)	N/A	025-34419-000	N/A	N/A	N/A	N/A	N/A	N/A	025-34419-000	025-34419-000
	1	NF Disconnect Switch (System 1)	N/A	N/A	024-30963-000	N/A	N/A	N/A	024-30963-000	024-30963-000	N/A	N/A
3C	1	NF Disconnect Switch (System 2)	N/A	N/A	024-30963-000	N/A	N/A	N/A	024-30963-000	024-30963-000	N/A	N/A
	2	MP Handle (CB & NFDS)	N/A	025-35697-000	025-35697-000	N/A	N/A	N/A	025-35697-000	025-35697-000	025-35697-000	025-35697-000
3J	2	MP Shaft (CB & NFDS)	N/A	025-35696-000	025-35696-000	N/A	N/A	N/A	025-35696-000	025-35696-000	025-35696-000	025-35696-000
	2	Auxiliary Switch	N/A	024-31646-000	024-31646-000	N/A	N/A	N/A	024-31646-000	024-31646-000	024-31646-000	024-31646-000
4A	2	MP Ground Lug	025-34089-000	025-34089-000	025-34089-000	N/A	N/A	N/A	025-34089-000	025-34089-000	025-34089-000	025-34089-000
	1	Single Point TB	N/A	N/A	N/A	025-38370-000	N/A	N/A	N/A	025-38370-000	N/A	N/A
4B	1	Single Point CB	N/A	N/A	N/A	N/A	025-34424-000	N/A	025-34424-000	N/A	N/A	N/A
	1	Single Point NFDS	N/A	N/A	N/A	N/A	N/A	024-30964-000	N/A	N/A	N/A	024-30964-000
4C	1	SP Handle (CB & NFDS)	N/A	N/A	N/A	N/A	025-35697-000	025-35697-000	025-35697-000	N/A	N/A	025-35697-000
	1	SP Shaft (CB & NFDS)	N/A	N/A	N/A	N/A	025-35696-000	025-35696-000	025-35696-000	N/A	N/A	025-35696-000
4C	1	SP Ground Lug	N/A	N/A	N/A	025-34085-000	025-34089-000	025-34089-000	025-34089-000	025-34085-000	025-34085-000	025-34089-000

Recommended Spare Part	XX*	Multi Point supply TB	SD*	Single Point supply NFDS w/ Separate System TBs
MB*	Multi Point supply CBs		CS*	Single Point supply CB w/ Separate System NFDSs
MD*	Multi Point supply NFDSs		SS*	Single Point supply TB w/ Separate System NFDSs
SX*	Single Point supply TB w/ Separate System TBs		SB*	Single Point TB supply w/ Separate System CBs
BX*	Single Point supply CB w/ Separate System TBs		DB*	Single Point NFDS supply w/ Separate System CBs

\$ Recommended Spare Part
***Service Note:**
 Locate the PANEL NUMBER sticker on the upper right hand corner of the power panel, then refer to the appropriate parts list for that number. Or, identify PIN number positions 16 and 17 on unit identification plate (See example on Page 4) then compare to table at right for power configuration options.

This page intentionally left blank

OPTIONS AND POWER PANEL COMPONENTS (CONT'D)

TABLE 13 – WYE DELTA POWER PANEL COMPONENTS - MODEL YCAS0098-17
(SEE FIGS. 9-13, PAGES 30-36)

Item	Qty	Description	YCAS0098-17				
			371-04115-170* XX*	371-04115-269* MB*	371-04115-370* MD*	371-04115-469* SB*	371-04115-569* DB*
1A	2	Compressor Contactor (System 1)	024-31891-000	024-31891-000	024-31891-000	024-31891-000	024-31891-000
	2	Compressor Contactor (System 2)	024-31891-000	024-31891-000	024-31891-000	024-31891-000	024-31891-000
1B	1	Compressor Contactor (System 1)	024-31109-000	024-31109-000	024-31109-000	024-31109-000	024-31109-000
	1	Compressor Contactor (System 2)	024-31109-000	024-31109-000	024-31109-000	024-31109-000	024-31109-000
1C	2	Surge Suppressor	031-02203-000	031-02203-000	031-02203-000	031-02203-000	031-02203-000
1D	2	Mechanical Interlock	024-34263-000	024-34263-000	024-34263-000	024-34263-000	024-34263-000
1G ^S	2	Motor Protector	024-30907-000	024-30907-000	024-30907-000	024-30907-000	024-30907-000
1I	2	Ground Lug	025-34089-000	025-34089-000	025-34089-000	025-34089-000	025-34089-000
3A	3	Terminal Block (System 1)	025-38370-000	N/A	N/A	N/A	N/A
	3	Terminal Block (System 2)	025-38370-000	N/A	N/A	N/A	N/A
	1	Circuit Breaker (System 1)	N/A	025-34424-000	N/A	025-34424-000	025-34424-000
	1	Circuit Breaker (System 2)	N/A	025-34424-000	N/A	025-34424-000	025-34424-000
	1	NF Disconnect Switch (System 1)	N/A	N/A	024-30964-000	N/A	N/A
	1	NF Disconnect Switch (System 2)	N/A	N/A	024-30964-000	N/A	N/A
3B	2	MP Handle (CB & NFDS)	N/A	025-35697-000	025-35697-000	025-35697-000	025-35697-000
	2	MP Shaft (CB & NFDS)	N/A	025-35696-000	025-35696-000	025-35696-000	025-35696-000
3C	2	Auxiliary Switch	N/A	024-31646-000	024-31646-000	024-31646-000	024-31646-000
3J	2	MP Ground Lug	025-34085-000	025-34085-000	025-34085-000	025-34085-000	025-34085-000
4A	6	Single Point TB	N/A	N/A	N/A	025-38364-000	N/A
	1	Single Point CB	N/A	N/A	N/A	N/A	N/A
	1	Single Point NFDS	N/A	N/A	N/A	N/A	024-30965-000
4B	1	SP Handle (CB & NFDS)	N/A	N/A	N/A	N/A	025-35697-000
	1	SP Shaft (CB & NFDS)	N/A	N/A	N/A	N/A	025-35696-000
4C	1	SP Ground Lug	N/A	N/A	N/A	025-34089-000	025-34085-000

XX*	Multi Point supply TB
MB*	Multi Point supply CBs
MD*	Multi Point supply NFDSs
SB*	Single Point TB supply w/ Separate System CBs
DB*	Single Point NFDS supply w/ Separate System CBs

^S = Recommended Spare Part

***Service Note:**

Locate the PANEL NUMBER sticker on the upper right hand corner of the power panel, then refer to the appropriate parts list for that number. Or, identify PIN number positions 16 and 17 on unit identification plate (See example on Page 4) then compare to table at right for power configuration options.

OPTIONS AND POWER PANEL COMPONENTS (CONT'D)

TABLE 13 – WYE DELTA POWER PANEL COMPONENTS - MODEL YCAS0098-28
(SEE FIGS. 9-13, PAGES 30-36)

Item	Qty	Description	YCAS0098-28				
			371-04115-164* XX*	371-04115-269* MB*	371-04115-364* MD*	371-04115-469* SB*	371-04115-569* DB*
1A	2	Compressor Contactor (System 1)	024-31110-000	024-31891-000	024-31110-000	024-31891-000	024-31891-000
	2	Compressor Contactor (System 2)	024-31110-000	024-31891-000	024-31110-000	024-31891-000	024-31891-000
1B	1	Compressor Contactor (System 1)	024-31107-000	024-31109-000	024-31107-000	024-31109-000	024-31109-000
	1	Compressor Contactor (System 2)	024-31107-000	024-31109-000	024-31107-000	024-31109-000	024-31109-000
1C	2	Surge Suppressor	031-02203-000	031-02203-000	031-02203-000	031-02203-000	031-02203-000
1D	2	Mechanical Interlock	024-31601-000	024-34263-000	024-31601-000	024-34263-000	024-34263-000
1G ^S	2	Motor Protector	024-30907-000	024-30907-000	024-30907-000	024-30907-000	024-30907-000
1I	2	Ground Lug	025-34089-000	025-34089-000	025-34089-000	025-34089-000	025-34089-000
3A	3	Terminal Block (System 1)	025-38364-000	N/A	N/A	N/A	N/A
	3	Terminal Block (System 2)	025-38364-000	N/A	N/A	N/A	N/A
	1	Circuit Breaker (System 1)	N/A	025-34424-000	N/A	025-34424-000	025-34424-000
	1	Circuit Breaker (System 2)	N/A	025-34424-000	N/A	025-34424-000	025-34424-000
	1	NF Disconnect Switch (System 1)	N/A	N/A	024-30963-000	N/A	N/A
	1	NF Disconnect Switch (System 2)	N/A	N/A	024-30963-000	N/A	N/A
3B	2	MP Handle (CB & NFDS)	N/A	025-35697-000	025-35697-000	025-35697-000	025-35697-000
	2	MP Shaft (CB & NFDS)	N/A	025-35696-000	025-35696-000	025-35696-000	025-35696-000
3C	2	Auxiliary Switch	N/A	024-31646-000	024-31646-000	024-31646-000	024-31646-000
3J	2	MP Ground Lug	025-34089-000	025-34085-000	025-34089-000	025-34085-000	025-34085-000
4A	6	Single Point TB	N/A	N/A	N/A	025-38364-000	N/A
	1	Single Point CB	N/A	N/A	N/A	N/A	N/A
	1	Single Point NFDS	N/A	N/A	N/A	N/A	024-30965-000
4B	1	SP Handle (CB & NFDS)	N/A	N/A	N/A	N/A	025-35697-000
	1	SP Shaft (CB & NFDS)	N/A	N/A	N/A	N/A	025-35696-000
4C	1	SP Ground Lug	N/A	N/A	N/A	025-34089-000	025-34085-000

XX*	Multi Point supply TB
MB*	Multi Point supply CBs
MD*	Multi Point supply NFDSs
SB*	Single Point TB supply w/ Separate System CBs
DB*	Single Point NFDS supply w/ Separate System CBs

S = Recommended Spare Part

***Service Note:**

Locate the PANEL NUMBER sticker on the upper right hand corner of the power panel, then refer to the appropriate parts list for that number. Or, identify PIN number positions 16 and 17 on unit identification plate (See example on Page 4) then compare to table at right for power configuration options.

OPTIONS AND POWER PANEL COMPONENTS (CONT'D)

TABLE 13 – WYE DELTA POWER PANEL COMPONENTS - MODEL YCAS0098-40
(SEE FIGS. 9-13, PAGES 30-36)

Item	Qty	Description	YCAS0098-40				
			371-04115-156* XX*	371-04115-256* MB*	371-04115-356* MD*	371-04115-456* SB*	371-04115-556* DB*
1A	2	Compressor Contactor (System 1)	024-31640-000	024-31640-000	024-31640-000	024-31640-000	024-31640-000
	2	Compressor Contactor (System 2)	024-31640-000	024-31640-000	024-31640-000	024-31640-000	024-31640-000
1B	1	Compressor Contactor (System 1)	024-31106-000	024-31106-000	024-31106-000	024-31106-000	024-31106-000
	1	Compressor Contactor (System 2)	024-31106-000	024-31106-000	024-31106-000	024-31106-000	024-31106-000
1C	2	Surge Suppressor	031-02203-000	031-02203-000	031-02203-000	031-02203-000	031-02203-000
1D	2	Mechanical Interlock	024-31601-000	024-31601-000	024-31601-000	024-31601-000	024-31601-000
1G ^S	2	Motor Protector	024-30907-000	024-30907-000	024-30907-000	024-30907-000	024-30907-000
1I	2	Ground Lug	025-34088-000	025-34088-000	025-34088-000	025-34088-000	025-34088-000
3A	3	Terminal Block (System 1)	025-38363-000	N/A	N/A	N/A	N/A
	3	Terminal Block (System 2)	025-38363-000	N/A	N/A	N/A	N/A
	1	Circuit Breaker (System 1)	N/A	024-31819-000	N/A	024-31819-000	024-31819-000
	1	Circuit Breaker (System 2)	N/A	024-31819-000	N/A	024-31819-000	024-31819-000
	1	NF Disconnect Switch (System 1)	N/A	N/A	024-31888-000	N/A	N/A
	1	NF Disconnect Switch (System 2)	N/A	N/A	024-31888-000	N/A	N/A
3B	2	MP Handle (CB & NFDS)	N/A	025-35697-000	025-35697-000	025-35697-000	025-35697-000
	2	MP Shaft (CB & NFDS)	N/A	025-35696-000	025-35696-000	025-35696-000	025-35696-000
3C	2	Auxiliary Switch	N/A	024-31646-000	024-31646-000	024-31646-000	024-31646-000
3J	2	MP Ground Lug	025-34088-000	025-34088-000	025-34088-000	025-34088-000	025-34088-000
4A	6	Single Point TB	N/A	N/A	N/A	025-38370-000	N/A
	1	Single Point CB	N/A	N/A	N/A	N/A	N/A
	1	Single Point NFDS	N/A	N/A	N/A	N/A	024-30964-000
4B	1	SP Handle (CB & NFDS)	N/A	N/A	N/A	N/A	025-35697-000
	1	SP Shaft (CB & NFDS)	N/A	N/A	N/A	N/A	025-35696-000
4C	1	SP Ground Lug	N/A	N/A	N/A	025-34085-000	025-34089-000

XX*	Multi Point supply TB
MB*	Multi Point supply CBs
MD*	Multi Point supply NFDSs
SB*	Single Point TB supply w/ Separate System CBs
DB*	Single Point NFDS supply w/ Separate System CBs

^S = Recommended Spare Part

***Service Note:**

Locate the PANEL NUMBER sticker on the upper right hand corner of the power panel, then refer to the appropriate parts list for that number. Or, identify PIN number positions 16 and 17 on unit identification plate (See example on Page 4) then compare to table at right for power configuration options.

OPTIONS AND POWER PANEL COMPONENTS (CONT'D)

TABLE 13 – WYE DELTA POWER PANEL COMPONENTS - MODEL YCAS0098-46
(SEE FIGS. 9-13, PAGES 30-36)

Item	Qty	Description	YCAS0098-46				
			371-04115-150* XX*	371-04115-251* MB*	371-04115-351* MD*	371-04115-451* SB*	371-04115-551* DB*
1A	2	Compressor Contactor (System 1)	024-31106-000	024-31106-000	024-31106-000	024-31106-000	024-31106-000
	2	Compressor Contactor (System 2)	024-31106-000	024-31106-000	024-31106-000	024-31106-000	024-31106-000
1B	1	Compressor Contactor (System 1)	024-31106-000	024-31106-000	024-31106-000	024-31106-000	024-31106-000
	1	Compressor Contactor (System 2)	024-31106-000	024-31106-000	024-31106-000	024-31106-000	024-31106-000
1C	2	Surge Suppressor	031-02203-000	031-02203-000	031-02203-000	031-02203-000	031-02203-000
1D	2	Mechanical Interlock	024-31601-000	024-34263-000	024-34263-000	024-34263-000	024-34263-000
1GS	2	Motor Protector	024-30907-000	024-30907-000	024-30907-000	024-30907-000	024-30907-000
1I	2	Ground Lug	025-34088-000	025-34088-000	025-34088-000	025-34088-000	025-34088-000
3A	3	Terminal Block (System 1)	025-38358-000	N/A	N/A	N/A	N/A
	3	Terminal Block (System 2)	025-38358-000	N/A	N/A	N/A	N/A
	1	Circuit Breaker (System 1)	N/A	024-31649-000	N/A	024-31649-000	024-31649-000
	1	Circuit Breaker (System 2)	N/A	024-31649-000	N/A	024-31649-000	024-31649-000
	1	NF Disconnect Switch (System 1)	N/A	N/A	024-31888-000	N/A	N/A
	1	NF Disconnect Switch (System 2)	N/A	N/A	024-31888-000	N/A	N/A
3B	2	MP Handle (CB & NFDS)	N/A	025-35697-000	025-35697-000	025-35697-000	025-35697-000
	2	MP Shaft (CB & NFDS)	N/A	025-35696-000	025-35696-000	025-35696-000	025-35696-000
3C	2	Auxiliary Switch	N/A	024-31646-000	024-31646-000	024-31646-000	024-31646-000
3J	2	MP Ground Lug	025-34088-000	025-34088-000	025-34088-000	025-34088-000	025-34088-000
4A	6	Single Point TB	N/A	N/A	N/A	025-38364-000	N/A
	1	Single Point CB	N/A	N/A	N/A	N/A	N/A
	1	Single Point NFDS	N/A	N/A	N/A	N/A	024-30963-000
4B	1	SP Handle (CB & NFDS)	N/A	N/A	N/A	N/A	025-35697-000
	1	SP Shaft (CB & NFDS)	N/A	N/A	N/A	N/A	025-35696-000
4C	1	SP Ground Lug	N/A	N/A	N/A	025-34089-000	025-34089-000

XX*	Multi Point supply TB
MB*	Multi Point supply CBs
MD*	Multi Point supply NFDSs
SB*	Single Point TB supply w/ Separate System CBs
DB*	Single Point NFDS supply w/ Separate System CBs

S = Recommended Spare Part

***Service Note:**

Locate the PANEL NUMBER sticker on the upper right hand corner of the power panel, then refer to the appropriate parts list for that number. Or, identify PIN number positions 16 and 17 on unit identification plate (See example on Page 4) then compare to table at right for power configuration options.

Option & Power Panel

OPTIONS AND POWER PANEL COMPONENTS (CONT'D)

TABLE 13 – WYE DELTA POWER PANEL COMPONENTS - MODEL YCAS0098-58
(SEE FIGS. 9-13, PAGES 30-36)

Item	Qty	Description	YCAS0098-58				
			371-04115-150* XX*	371-04115-251* MB*	371-04115-351* MD*	371-04115-451* SB*	371-04115-551* DB*
1A	2	Compressor Contactor (System 1)	024-31106-000	024-31106-000	024-31106-000	024-31106-000	024-31106-000
	2	Compressor Contactor (System 2)	024-31106-000	024-31106-000	024-31106-000	024-31106-000	024-31106-000
1B	1	Compressor Contactor (System 1)	024-31106-000	024-31106-000	024-31106-000	024-31106-000	024-31106-000
	1	Compressor Contactor (System 2)	024-31106-000	024-31106-000	024-31106-000	024-31106-000	024-31106-000
1C	6	Surge Suppressor	031-02203-000	031-02203-000	031-02203-000	031-02203-000	031-02203-000
1D	2	Mechanical Interlock	024-31601-000	024-34263-000	024-34263-000	024-34263-000	024-34263-000
1G ^S	2	Motor Protector	024-30907-000	024-30907-000	024-30907-000	024-30907-000	024-30907-000
1I	2	Ground Lug	025-34088-000	025-34088-000	025-34088-000	025-34088-000	025-34088-000
3A	3	Terminal Block (System 1)	025-38358-000	N/A	N/A	N/A	N/A
	3	Terminal Block (System 2)	025-38358-000	N/A	N/A	N/A	N/A
	1	Circuit Breaker (System 1)	N/A	024-31649-000	N/A	024-31649-000	024-31649-000
	1	Circuit Breaker (System 2)	N/A	024-31649-000	N/A	024-31649-000	024-31649-000
	1	NF Disconnect Switch (System 1)	N/A	N/A	024-31888-000	N/A	N/A
	1	NF Disconnect Switch (System 2)	N/A	N/A	024-31888-000	N/A	N/A
3B	2	MP Handle (CB & NFDS)	N/A	025-35697-000	025-35697-000	025-35697-000	025-35697-000
	2	MP Shaft (CB & NFDS)	N/A	025-35696-000	025-35696-000	025-35696-000	025-35696-000
3C	2	Auxiliary Switch	N/A	024-31646-000	024-31646-000	024-31646-000	024-31646-000
3J	2	MP Ground Lug	025-34088-000	025-34088-000	025-34088-000	025-34088-000	025-34088-000
4A	6	Single Point TB	N/A	N/A	N/A	025-38364-000	N/A
	1	Single Point CB	N/A	N/A	N/A	N/A	N/A
	1	Single Point NFDS	N/A	N/A	N/A	N/A	024-30963-000
4B	1	SP Handle (CB & NFDS)	N/A	N/A	N/A	N/A	025-35697-000
	1	SP Shaft (CB & NFDS)	N/A	N/A	N/A	N/A	025-35696-000
4C	1	SP Ground Lug	N/A	N/A	N/A	025-34089-000	025-34089-000

XX*	Multi Point supply TB
MB*	Multi Point supply CBs
MD*	Multi Point supply NFDSs
SB*	Single Point TB supply w/ Separate System CBs
DB*	Single Point NFDS supply w/ Separate System CBs

^S = Recommended Spare Part

***Service Note:**

Locate the PANEL NUMBER sticker on the upper right hand corner of the power panel, then refer to the appropriate parts list for that number. Or, identify PIN number positions 16 and 17 on unit identification plate (See example on Page 4) then compare to table at right for power configuration options.

OPTIONS AND POWER PANEL COMPONENTS (CONT'D)

TABLE 13 – WYE DELTA POWER PANEL COMPONENTS - MODEL YCAS0118-17
(SEE FIGS. 9-13, PAGES 30-36)

Item	Qty	Description	YCAS0118-17				
			371-04115-183* XX*	371-04115-273* MB*	371-04115-375* MD*	371-04115-473* SB*	371-04115-589* DB*
1A	2	Compressor Contactor (System 1)	024-31892-000	024-31892-000	024-31892-000	024-31892-000	024-31892-000
	2	Compressor Contactor (System 2)	024-31891-000	024-31891-000	024-31891-000	024-31891-000	024-31891-000
1B	1	Compressor Contactor (System 1)	024-31110-000	024-31110-000	024-31110-000	024-31110-000	024-31110-000
	1	Compressor Contactor (System 2)	024-31109-000	024-31109-000	024-31109-000	024-31109-000	024-31109-000
1C	2	Surge Suppressor	031-02203-000	031-02203-000	031-02203-000	031-02203-000	031-02203-000
1D	2	Mechanical Interlock	024-34263-000	024-34263-000	024-34263-000	024-34263-000	024-34263-000
1GS	2	Motor Protector	024-30907-000	024-30907-000	024-30907-000	024-30907-000	024-30907-000
1I	2	Ground Lug	025-34089-000	025-34089-000	025-34089-000	025-34089-000	025-34089-000
3A	3	Terminal Block (System 1)	025-39355-000	N/A	N/A	N/A	N/A
	3	Terminal Block (System 2)	025-38364-000	N/A	N/A	N/A	N/A
	1	Circuit Breaker (System 1)	N/A	025-34425-000	N/A	025-34425-000	025-34425-000
	1	Circuit Breaker (System 2)	N/A	025-34424-000	N/A	025-34424-000	025-34424-000
	1	NF Disconnect Switch (System 1)	N/A	N/A	024-30964-000	N/A	N/A
	1	NF Disconnect Switch (System 2)	N/A	N/A	024-30963-000	N/A	N/A
3B	2	MP Handle (CB & NFDS)	N/A	025-35697-000	025-35697-000	025-35697-000	025-35697-000
	2	MP Shaft (CB & NFDS)	N/A	025-35696-000	025-35696-000	025-35696-000	025-35696-000
3C	2	Auxiliary Switch	N/A	024-31648-000	024-31646-000	024-31648-000	024-31648-000
				024-31646-000		024-31646-000	024-31646-000
3J	2	MP Ground Lug	025-34089-000	025-34085-000	025-34085-000	025-34085-000	025-34085-000
4A	6	Single Point TB	N/A	N/A	N/A	025-38370-000	N/A
	1	Single Point CB	N/A	N/A	N/A	N/A	N/A
	1	Single Point NFDS	N/A	N/A	N/A	N/A	024-31889-000
4B	1	SP Handle (CB & NFDS)	N/A	N/A	N/A	N/A	025-35697-000
	1	SP Shaft (CB & NFDS)	N/A	N/A	N/A	N/A	025-35696-000
4C	1	SP Ground Lug	N/A	N/A	N/A	025-34085-000	025-34089-000

XX*	Multi Point supply TB
MB*	Multi Point supply CBs
MD*	Multi Point supply NFDSs
SB*	Single Point TB supply w/ Separate System CBs
DB*	Single Point NFDS supply w/ Separate System CBs

S = Recommended Spare Part

***Service Note:**

Locate the PANEL NUMBER sticker on the upper right hand corner of the power panel, then refer to the appropriate parts list for that number. Or, identify PIN number positions 16 and 17 on unit identification plate (See example on Page 4) then compare to table at right for power configuration options.

Option & Power Panel

OPTIONS AND POWER PANEL COMPONENTS (CONT'D)

TABLE 13 – WYE DELTA POWER PANEL COMPONENTS - MODEL YCAS0118-28
(SEE FIGS. 9-13, PAGES 30-36)

Item	Qty	Description	YCAS0118-28				
			371-04115-172* XX*	371-04115-269* MB*	371-04115-372* MD*	371-04115-470* SB*	371-04115-569* DB*
1A	2	Compressor Contactor (System 1)	024-31891-000	024-31891-000	024-31891-000	024-31891-000	024-31891-000
	2	Compressor Contactor (System 2)	024-31110-000	024-31110-000	024-31110-000	024-31891-000	024-31891-000
1B	1	Compressor Contactor (System 1)	024-31109-000	024-31109-000	024-31109-000	024-31109-000	024-31109-000
	1	Compressor Contactor (System 2)	024-31107-000	024-31107-000	024-31107-000	024-31109-000	024-31109-000
1C	2	Surge Suppressor	031-02203-000	031-02203-000	031-02203-000	031-02203-000	031-02203-000
1D	1	Mechanical Interlock (System 1)	024-34263-000	024-34263-000	024-34263-000	024-34263-000	024-34263-000
	1	Mechanical Interlock (System 2)	024-31601-000	024-31601-000	024-31601-000	024-31601-000	024-31601-000
1G ^S	2	Motor Protector	024-30907-000	024-30907-000	024-30907-000	024-30907-000	024-30907-000
1I	2	Ground Lug	025-34089-000	025-34089-000	025-34089-000	025-34089-000	025-34089-000
3A	3	Terminal Block (System 1)	025-38370-000	N/A	N/A	N/A	N/A
	3	Terminal Block (System 2)	025-38364-000	N/A	N/A	N/A	N/A
	1	Circuit Breaker (System 1)	N/A	025-34424-000	N/A	025-34424-000	025-34424-000
	1	Circuit Breaker (System 2)	N/A	025-34424-000	N/A	025-34424-000	025-34424-000
	1	NF Disconnect Switch (System 1)	N/A	N/A	024-30964-000	N/A	N/A
	1	NF Disconnect Switch (System 2)	N/A	N/A	024-30963-000	N/A	N/A
3B	2	MP Handle (CB & NFDS)	N/A	025-35697-000	025-35697-000	025-35697-000	025-35697-000
	2	MP Shaft (CB & NFDS)	N/A	025-35696-000	025-35696-000	025-35696-000	025-35696-000
3C	2	Auxiliary Switch	N/A	024-31646-000	024-31646-000	024-31646-000	024-31646-000
3J	1	MP Ground Lug (System 1)	025-34085-000	025-34085-000	025-34085-000	025-34085-000	025-34085-000
	1	MP Ground Lug (System 2)	025-34089-000		025-34089-000		
4A	6	Single Point TB	N/A	N/A	N/A	025-38370-000	N/A
	1	Single Point CB	N/A	N/A	N/A	N/A	N/A
	1	Single Point NFDS	N/A	N/A	N/A	N/A	024-30965-000
4B	1	SP Handle (CB & NFDS)	N/A	N/A	N/A	N/A	025-35697-000
	1	SP Shaft (CB & NFDS)	N/A	N/A	N/A	N/A	025-35696-000
4C	1	SP Ground Lug	N/A	N/A	N/A	025-34085-000	025-34085-000

XX*	Multi Point supply TB
MB*	Multi Point supply CBs
MD*	Multi Point supply NFDSs
SB*	Single Point TB supply w/ Separate System CBs
DB*	Single Point NFDS supply w/ Separate System CBs

S = Recommended Spare Part

***Service Note:**

Locate the PANEL NUMBER sticker on the upper right hand corner of the power panel, then refer to the appropriate parts list for that number. Or, identify PIN number positions 16 and 17 on unit identification plate (See example on Page 4) then compare to table at right for power configuration options.

OPTIONS AND POWER PANEL COMPONENTS (CONT'D)

TABLE 13 – WYE DELTA POWER PANEL COMPONENTS - MODEL YCAS0118-40
(SEE FIGS. 9-13, PAGES 30-36)

Item	Qty	Description	YCAS0118-40				
			371-04115-160* XX*	371-04115-260* MB*	371-04115-359* MD*	371-04115-461* SB*	371-04115-561* DB*
1A	2	Compressor Contactor (System 1)	024-31110-000	024-31110-000	024-31110-000	024-31110-000	024-31110-000
	2	Compressor Contactor (System 2)	024-31640-000	024-31640-000	024-31640-000	024-31640-000	024-31640-000
1B	1	Compressor Contactor (System 1)	024-31107-000	024-31107-000	024-31107-000	024-31107-000	024-31107-000
	1	Compressor Contactor (System 2)	024-31106-000	024-31106-000	024-31106-000	024-31106-000	024-31106-000
1C	2	Surge Suppressor	031-02203-000	031-02203-000	031-02203-000	031-02203-000	031-02203-000
1D	2	Mechanical Interlock	024-31601-000	024-31601-000	024-31601-000	024-31601-000	024-31601-000
1GS	2	Motor Protector	024-30907-000	024-30907-000	024-30907-000	024-30907-000	024-30907-000
1I	2	Ground Lug	025-34088-000	025-34088-000	025-34088-000	025-34088-000	025-34088-000
3A	3	Terminal Block (System 1)	025-38364-000	N/A	N/A	N/A	N/A
	3	Terminal Block (System 2)	025-38363-000	N/A	N/A	N/A	N/A
	1	Circuit Breaker (System 1)	N/A	025-34419-000	N/A	025-34419-000	025-34419-000
	1	Circuit Breaker (System 2)	N/A	024-31819-000	N/A	024-31819-000	024-31819-000
	1	NF Disconnect Switch (System 1)	N/A	N/A	024-30963-000	N/A	N/A
	1	NF Disconnect Switch (System 2)	N/A	N/A	024-31888-000	N/A	N/A
3B	2	MP Handle (CB & NFDS)	N/A	025-35697-000	025-35697-000	025-35697-000	025-35697-000
	2	MP Shaft (CB & NFDS)	N/A	025-35696-000	025-35696-000	025-35696-000	025-35696-000
3C	2	Auxiliary Switch	N/A	024-31646-000	024-31646-000	024-31646-000	024-31646-000
3J	1	MP Ground Lug (System 1)	025-34089-000	025-34089-000	025-34089-000	025-34089-000	025-34089-000
	1	MP Ground Lug (System 2)	025-34088-000	025-34088-000	025-34088-000	025-34088-000	025-34088-000
4A	6	Single Point TB	N/A	N/A	N/A	025-38370-000	N/A
	1	Single Point CB	N/A	N/A	N/A	N/A	N/A
	1	Single Point NFDS	N/A	N/A	N/A	N/A	024-30964-000
4B	1	SP Handle (CB & NFDS)	N/A	N/A	N/A	N/A	025-35697-000
	1	SP Shaft (CB & NFDS)	N/A	N/A	N/A	N/A	025-35696-000
4C	1	SP Ground Lug	N/A	N/A	N/A	025-34085-000	025-34089-000

XX*	Multi Point supply TB
MB*	Multi Point supply CBs
MD*	Multi Point supply NFDSs
SB*	Single Point TB supply w/ Separate System CBs
DB*	Single Point NFDS supply w/ Separate System CBs

S = Recommended Spare Part

***Service Note:**

Locate the PANEL NUMBER sticker on the upper right hand corner of the power panel, then refer to the appropriate parts list for that number. Or, identify PIN number positions 16 and 17 on unit identification plate (See example on Page 4) then compare to table at right for power configuration options.

Option & Power Panel

OPTIONS AND POWER PANEL COMPONENTS (CONT'D)

TABLE 13 – WYE DELTA POWER PANEL COMPONENTS - MODEL YCAS0118-46
(SEE FIGS. 9-13, PAGES 30-36)

Item	Qty	Description	YCAS0118-46				
			371-04115-153* XX*	371-04115-253* MB*	371-04115-383* MD*	371-04115-490* SB*	371-04115-590* DB*
1A	2	Compressor Contactor (System 1)	024-31640-000	024-31640-000	024-31640-000	024-31640-000	024-31640-000
	2	Compressor Contactor (System 2)	024-31106-000	024-31106-000	024-31106-000	024-31106-000	024-31106-000
1B	1	Compressor Contactor (System 1)	024-31106-000	024-31106-000	024-31106-000	024-31106-000	024-31106-000
	1	Compressor Contactor (System 2)	024-31106-000	024-31106-000	024-31106-000	024-31106-000	024-31106-000
1C	2	Surge Suppressor	031-02203-000	031-02203-000	031-02203-000	031-02203-000	031-02203-000
1D	2	Mechanical Interlock	024-31601-000	024-31601-000	024-31601-000	024-31601-000	024-31601-000
1G ^S	2	Motor Protector	024-30907-000	024-30907-000	024-30907-000	024-30907-000	024-30907-000
1I	2	Ground Lug	025-34088-000	025-34088-000	025-34088-000	025-34088-000	025-34088-000
3A	3	Terminal Block (System 1)	025-38363-000	N/A	N/A	N/A	N/A
	3	Terminal Block (System 2)	025-38358-000	N/A	N/A	N/A	N/A
	1	Circuit Breaker (System 1)	N/A	024-31819-000	N/A	024-31819-000	024-31819-000
	1	Circuit Breaker (System 2)	N/A	024-31649-000	N/A	024-31649-000	024-31649-000
	1	NF Disconnect Switch (System 1)	N/A	N/A	024-30963-000	N/A	N/A
	1	NF Disconnect Switch (System 2)	N/A	N/A	024-31888-000	N/A	N/A
3B	2	MP Handle (CB & NFDS)	N/A	025-35697-000	025-35697-000	025-35697-000	025-35697-000
	2	MP Shaft (CB & NFDS)	N/A	025-35696-000	025-35696-000	025-35696-000	025-35696-000
3C	2	Auxiliary Switch	N/A	024-31646-000	024-31646-000	024-31646-000	024-31646-000
3J	1	MP Ground Lug (System 1)	025-34088-000	025-34088-000	025-34089-000	025-34088-000	025-34088-000
	1	MP Ground Lug (System 2)			025-34088-000		
4A	6	Single Point TB	N/A	N/A	N/A	025-38370-000	N/A
	1	Single Point CB	N/A	N/A	N/A	N/A	N/A
	1	Single Point NFDS	N/A	N/A	N/A	N/A	024-30964-000
4B	1	SP Handle (CB & NFDS)	N/A	N/A	N/A	N/A	025-35697-000
	1	SP Shaft (CB & NFDS)	N/A	N/A	N/A	N/A	025-35696-000
4C	1	SP Ground Lug	N/A	N/A	N/A	025-34085-000	025-34089-000

XX*	Multi Point supply TB
MB*	Multi Point supply CBs
MD*	Multi Point supply NFDSs
SB*	Single Point TB supply w/ Separate System CBs
DB*	Single Point NFDS supply w/ Separate System CBs

^S = Recommended Spare Part

***Service Note:**

Locate the PANEL NUMBER sticker on the upper right hand corner of the power panel, then refer to the appropriate parts list for that number. Or, identify PIN number positions 16 and 17 on unit identification plate (See example on Page 4) then compare to table at right for power configuration options.

OPTIONS AND POWER PANEL COMPONENTS (CONT'D)

TABLE 13 – WYE DELTA POWER PANEL COMPONENTS - MODEL YCAS0118-58
(SEE FIGS. 9-13, PAGES 30-36)

Item	Qty	Description	YCAS0118-58				
			371-04115-152* XX*	371-04115-252* MB*	371-04115-352* MD*	371-04115-452* SB*	371-04115-552* DB*
1A	2	Compressor Contactor (System 1)	024-31107-000	024-31107-000	024-31107-000	024-31107-000	024-31107-000
	2	Compressor Contactor (System 2)	024-31106-000	024-31106-000	024-31106-000	024-31106-000	024-31106-000
1B	1	Compressor Contactor (System 1)	024-31106-000	024-31106-000	024-31106-000	024-31106-000	024-31106-000
	1	Compressor Contactor (System 2)	024-31106-000	024-31106-000	024-31106-000	024-31106-000	024-31106-000
1C	2	Surge Suppressor	031-02203-000	031-02203-000	031-02203-000	031-02203-000	031-02203-000
1D	2	Mechanical Interlock	024-31601-000	024-31601-000	024-31601-000	024-31601-000	024-31601-000
1GS	2	Motor Protector	024-30907-000	024-30907-000	024-30907-000	024-30907-000	024-30907-000
1I	2	Ground Lug	025-34088-000	025-34088-000	025-34088-000	025-34088-000	025-34088-000
3A	3	Terminal Block (System 1)	025-38363-000	N/A	N/A	N/A	N/A
	3	Terminal Block (System 2)	025-38358-000	N/A	N/A	N/A	N/A
	1	Circuit Breaker (System 1)	N/A	024-31649-000	N/A	025-34419-000	025-34419-000
	1	Circuit Breaker (System 2)	N/A	024-31843-000	N/A	025-34419-000	025-34419-000
	1	NF Disconnect Switch (System 1)	N/A	N/A	024-31888-000	N/A	N/A
	1	NF Disconnect Switch (System 2)	N/A	N/A	024-31888-000	N/A	N/A
3B	2	MP Handle (CB & NFDS)	N/A	025-35697-000	025-35697-000	025-35697-000	025-35697-000
	2	MP Shaft (CB & NFDS)	N/A	025-35696-000	025-35696-000	025-35696-000	025-35696-000
3C	2	Auxiliary Switch	N/A	024-31646-000	024-31646-000	024-31646-000	024-31646-000
3J	2	MP Ground Lug	025-34088-000	025-34088-000	025-34088-000	025-34089-000	025-34089-000
4A	6	Single Point TB	N/A	N/A	N/A	025-38364-000	N/A
	1	Single Point CB	N/A	N/A	N/A	N/A	N/A
	1	Single Point NFDS	N/A	N/A	N/A	N/A	024-30963-000
4B	1	SP Handle (CB & NFDS)	N/A	N/A	N/A	N/A	025-35697-000
	1	SP Shaft (CB & NFDS)	N/A	N/A	N/A	N/A	025-35696-000
4C	1	SP Ground Lug	N/A	N/A	N/A	025-34089-000	025-34089-000

XX*	Multi Point supply TB
MB*	Multi Point supply CBs
MD*	Multi Point supply NFDSs
SB*	Single Point TB supply w/ Separate System CBs
DB*	Single Point NFDS supply w/ Separate System CBs

S = Recommended Spare Part

***Service Note:**

Locate the PANEL NUMBER sticker on the upper right hand corner of the power panel, then refer to the appropriate parts list for that number. Or, identify PIN number positions 16 and 17 on unit identification plate (See example on Page 4) then compare to table at right for power configuration options.

OPTIONS AND POWER PANEL COMPONENTS (CONT'D)

TABLE 13 – WYE DELTA POWER PANEL COMPONENTS - MODEL YCAS0128-17
(SEE FIGS. 9-13, PAGES 30-36)

Item	Qty	Description	YCAS0128-17				
			371-04115-183* XX*	371-04115-273* MB*	371-04115-385* MD*	371-04115-473* SB*	371-04115-589* DB*
1A	2	Compressor Contactor (System 1)	024-31892-000	024-31892-000	024-31892-000	024-31892-000	024-31892-000
	2	Compressor Contactor (System 2)	024-31891-000	024-31891-000	024-31891-000	024-31891-000	024-31891-000
1B	1	Compressor Contactor (System 1)	024-31110-000	024-31110-000	024-31110-000	024-31110-000	024-31110-000
	1	Compressor Contactor (System 2)	024-31109-000	024-31109-000	024-31109-000	024-31109-000	024-31109-000
1C	2	Surge Suppressor	031-02203-000	031-02203-000	031-02203-000	031-02203-000	031-02203-000
1D	2	Mechanical Interlock	024-34263-000	024-34263-000	024-34263-000	024-34263-000	024-34263-000
1G ^S	2	Motor Protector	024-30907-000	024-30907-000	024-30907-000	024-30907-000	024-30907-000
1I	2	Ground Lug	025-34089-000	025-34089-000	025-34089-000	025-34089-000	025-34089-000
3A	3	Terminal Block (System 1)	025-39355-000	N/A	N/A	N/A	N/A
	3	Terminal Block (System 2)	025-38364-000	N/A	N/A	N/A	N/A
	1	Circuit Breaker (System 1)	N/A	025-34425-000	N/A	025-34425-000	025-34425-000
	1	Circuit Breaker (System 2)	N/A	025-34424-000	N/A	025-34424-000	025-34424-000
	1	NF Disconnect Switch (System 1)	N/A	N/A	024-30964-000	N/A	N/A
	1	NF Disconnect Switch (System 2)	N/A	N/A	024-30964-000	N/A	N/A
3B	2	MP Handle (CB & NFDS)	N/A	025-35697-000	025-35697-000	025-35697-000	025-35697-000
	2	MP Shaft (CB & NFDS)	N/A	025-35696-000	025-35696-000	025-35696-000	025-35696-000
3C	2	Auxiliary Switch	N/A	024-31648-000	024-31648-000	024-31648-000	024-31648-000
3J	2	MP Ground Lug	025-34089-000	025-34085-000	025-34085-000	025-34085-000	025-34085-000
4A	6	Single Point TB	N/A	N/A	N/A	025-38370-000	N/A
	1	Single Point CB	N/A	N/A	N/A	N/A	N/A
	1	Single Point NFDS	N/A	N/A	N/A	N/A	024-31889-000
4B	1	SP Handle (CB & NFDS)	N/A	N/A	N/A	N/A	025-35697-000
	1	SP Shaft (CB & NFDS)	N/A	N/A	N/A	N/A	025-35696-000
4C	1	SP Ground Lug	N/A	N/A	N/A	025-34085-000	025-34089-000

XX*	Multi Point supply TB
MB*	Multi Point supply CBs
MD*	Multi Point supply NFDSs
SB*	Single Point TB supply w/ Separate System CBs
DB*	Single Point NFDS supply w/ Separate System CBs

^S = Recommended Spare Part

***Service Note:**

Locate the PANEL NUMBER sticker on the upper right hand corner of the power panel, then refer to the appropriate parts list for that number. Or, identify PIN number positions 16 and 17 on unit identification plate (See example on Page 4) then compare to table at right for power configuration options.

OPTIONS AND POWER PANEL COMPONENTS (CONT'D)

TABLE 13 – WYE DELTA POWER PANEL COMPONENTS - MODEL YCAS0128-28
(SEE FIGS. 9-13, PAGES 30-36)

Item	Qty	Description	YCAS0128-28				
			371-04115-172* XX*	371-04115-269* MB*	371-04115-372* MD*	371-04115-470* SB*	371-04115-569* DB*
1A	2	Compressor Contactor (System 1)	024-31891-000	024-31891-000	024-31891-000	024-31891-000	024-31891-000
	2	Compressor Contactor (System 2)	024-31110-000	024-31110-000	024-31110-000	024-31110-000	024-31110-000
1B	1	Compressor Contactor (System 1)	024-31109-000	024-31109-000	024-31109-000	024-31109-000	024-31109-000
	1	Compressor Contactor (System 2)	024-31107-000	024-31107-000	024-31107-000	024-31107-000	024-31107-000
1C	2	Surge Suppressor	031-02203-000	031-02203-000	031-02203-000	031-02203-000	031-02203-000
1D	1	Mechanical Interlock (System 1)	024-34263-000	024-34263-000	024-34263-000	024-34263-000	024-34263-000
	1	Mechanical Interlock (System 2)	024-31601-000	024-31601-000	024-31601-000	024-31601-000	024-31601-000
1G ^S	2	Motor Protector	024-30907-000	024-30907-000	024-30907-000	024-30907-000	024-30907-000
1I	2	Ground Lug	025-34089-000	025-34089-000	025-34089-000	025-34089-000	025-34089-000
3A	3	Terminal Block (System 1)	025-38370-000	N/A	N/A	N/A	N/A
	3	Terminal Block (System 2)	025-38364-000	N/A	N/A	N/A	N/A
	1	Circuit Breaker (System 1)	N/A	025-34424-000	N/A	025-34424-000	025-34424-000
	1	Circuit Breaker (System 2)	N/A	025-34424-000	N/A	025-34424-000	025-34424-000
	1	NF Disconnect Switch (System 1)	N/A	N/A	024-30964-000	N/A	N/A
	1	NF Disconnect Switch (System 2)	N/A	N/A	024-30963-000	N/A	N/A
3B	2	MP Handle (CB & NFDS)	N/A	025-35697-000	025-35697-000	025-35697-000	025-35697-000
	2	MP Shaft (CB & NFDS)	N/A	025-35696-000	025-35696-000	025-35696-000	025-35696-000
3C	2	Auxiliary Switch (System 1)	N/A	024-31646-000	024-31646-000	024-31646-000	024-31646-000
3J	1	MP Ground Lug	025-34085-000	025-34085-000	025-34085-000	025-34085-000	025-34085-000
	1	MP Ground Lug	025-34089-000		025-34089-000		
4A	6	Single Point TB	N/A	N/A	N/A	025-38370-000	N/A
	1	Single Point CB	N/A	N/A	N/A	N/A	N/A
	1	Single Point NFDS	N/A	N/A	N/A	N/A	024-30965-000
4B	1	SP Handle (CB & NFDS)	N/A	N/A	N/A	N/A	025-35697-000
	1	SP Shaft (CB & NFDS)	N/A	N/A	N/A	N/A	025-35696-000
4C	1	SP Ground Lug	N/A	N/A	N/A	025-34085-000	025-34085-000

XX*	Multi Point supply TB
MB*	Multi Point supply CBs
MD*	Multi Point supply NFDSs
SB*	Single Point TB supply w/ Separate System CBs
DB*	Single Point NFDS supply w/ Separate System CBs

S = Recommended Spare Part

***Service Note:**

Locate the PANEL NUMBER sticker on the upper right hand corner of the power panel, then refer to the appropriate parts list for that number. Or, identify PIN number positions 16 and 17 on unit identification plate (See example on Page 4) then compare to table at right for power configuration options.

OPTIONS AND POWER PANEL COMPONENTS (CONT'D)

TABLE 13 – WYE DELTA POWER PANEL COMPONENTS - MODEL YCAS0128-40
(SEE FIGS. 9-13, PAGES 30-36)

Item	Qty	Description	YCAS0128-40				
			371-04115-155* XX*	371-04115-289* MB*	371-04115-355* MD*	371-04115-489* SB*	371-04115-591* DB*
1A	2	Compressor Contactor (System 1)	024-31109-000	024-31109-000	024-31109-000	024-31109-000	024-31109-000
	2	Compressor Contactor (System 2)	024-31107-000	024-31107-000	024-31107-000	024-31107-000	024-31107-000
1B	1	Compressor Contactor (System 1)	024-31106-000	024-31106-000	024-31106-000	024-31106-000	024-31106-000
	1	Compressor Contactor (System 2)	024-31106-000	024-31106-000	024-31106-000	024-31106-000	024-31106-000
1C	2	Surge Suppressor	031-02203-000	031-02203-000	031-02203-000	031-02203-000	031-02203-000
1D	2	Mechanical Interlock	024-31601-000	024-31601-000	024-31601-000	024-31601-000	024-31601-000
1GS	2	Motor Protector	024-30907-000	024-30907-000	024-30907-000	024-30907-000	024-30907-000
1I	1	Ground Lug (System 1)	025-34089-000	025-34089-000	025-34089-000	025-34089-000	025-34089-000
	1	Ground Lug (System 2)	025-34088-000	025-34088-000	025-34088-000	025-34088-000	025-34088-000
3A	3	Terminal Block (System 1)	025-38363-000	N/A	N/A	N/A	N/A
	3	Terminal Block (System 2)	025-38363-000	N/A	N/A	N/A	N/A
	1	Circuit Breaker (System 1)	N/A	025-34419-000	N/A	025-34419-000	025-34419-000
	1	Circuit Breaker (System 2)	N/A	024-31851-000	N/A	024-31851-000	024-31851-000
	1	NF Disconnect Switch (System 1)	N/A	N/A	024-30963-000	N/A	N/A
	1	NF Disconnect Switch (System 2)	N/A	N/A	024-31888-000	N/A	N/A
3B	2	MP Handle (CB & NFDS)	N/A	025-35697-000	025-35697-000	025-35697-000	025-35697-000
	2	MP Shaft (CB & NFDS)	N/A	025-35696-000	025-35696-000	025-35696-000	025-35696-000
3C	2	Auxiliary Switch	N/A	024-31646-000	024-31646-000	024-31646-000	024-31646-000
3J	1	MP Ground Lug (System 1)	025-34088-000	025-34089-000	025-34089-000	025-34089-000	025-34089-000
	1	MP Ground Lug (System 2)		025-34088-000	025-34088-000	025-34088-000	025-34088-000
4A	6	Single Point TB	N/A	N/A	N/A	025-38370-000	N/A
	1	Single Point CB	N/A	N/A	N/A	N/A	N/A
	1	Single Point NFDS	N/A	N/A	N/A	N/A	024-30964-000
4B	1	SP Handle (CB & NFDS)	N/A	N/A	N/A	N/A	025-35697-000
	1	SP Shaft (CB & NFDS)	N/A	N/A	N/A	N/A	025-35696-000
4C	1	SP Ground Lug	N/A	N/A	N/A	025-34085-000	025-34089-000

XX*	Multi Point supply TB
MB*	Multi Point supply CBs
MD*	Multi Point supply NFDSs
SB*	Single Point TB supply w/ Separate System CBs
DB*	Single Point NFDS supply w/ Separate System CBs

^S = Recommended Spare Part

***Service Note:**

Locate the PANEL NUMBER sticker on the upper right hand corner of the power panel, then refer to the appropriate parts list for that number. Or, identify PIN number positions 16 and 17 on unit identification plate (See example on Page 4) then compare to table at right for power configuration options.

OPTIONS AND POWER PANEL COMPONENTS (CONT'D)

TABLE 13 – WYE DELTA POWER PANEL COMPONENTS - MODEL YCAS0128-46
(SEE FIGS. 9-13, PAGES 30-36)

Item	Qty	Description	YCAS0128-46				
			371-04115-153* XX*	371-04115-253* MB*	371-04115-383* MD*	371-04115-490* SB*	371-04115-590* DB*
1A	2	Compressor Contactor (System 1)	024-31640-000	024-31640-000	024-31640-000	024-31640-000	024-31640-000
	2	Compressor Contactor (System 2)	024-31106-000	024-31106-000	024-31106-000	024-31106-000	024-31106-000
1B	1	Compressor Contactor (System 1)	024-31106-000	024-31106-000	024-31106-000	024-31106-000	024-31106-000
	1	Compressor Contactor (System 2)	024-31106-000	024-31106-000	024-31106-000	024-31106-000	024-31106-000
1C	2	Surge Suppressor	031-02203-000	031-02203-000	031-02203-000	031-02203-000	031-02203-000
1D	2	Mechanical Interlock	024-31601-000	024-31601-000	024-31601-000	024-31601-000	024-31601-000
1G ^S	2	Motor Protector	024-30907-000	024-30907-000	024-30907-000	024-30907-000	024-30907-000
1I	2	Ground Lug	025-34088-000	025-34088-000	025-34088-000	025-34088-000	025-34088-000
3A	3	Terminal Block (System 1)	025-38363-000	N/A	N/A	N/A	N/A
	3	Terminal Block (System 2)	025-38358-000	N/A	N/A	N/A	N/A
	1	Circuit Breaker (System 1)	N/A	025-31819-000	N/A	025-31819-000	025-31819-000
	1	Circuit Breaker (System 2)	N/A	024-31649-000	N/A	024-31819-000	024-31819-000
	1	NF Disconnect Switch (System 1)	N/A	N/A	024-30963-000	N/A	N/A
	1	NF Disconnect Switch (System 2)	N/A	N/A	024-30963-000	N/A	N/A
3B	2	MP Handle (CB & NFDS)	N/A	025-35697-000	025-35697-000	025-35697-000	025-35697-000
	2	MP Shaft (CB & NFDS)	N/A	025-35696-000	025-35696-000	025-35696-000	025-35696-000
3C	2	Auxiliary Switch	N/A	024-31646-000	024-31646-000	024-31646-000	024-31646-000
3J	2	MP Ground Lug	025-34088-000	025-34088-000	025-34089-000	025-34088-000	025-34088-000
4A	6	Single Point TB	N/A	N/A	N/A	025-38370-000	N/A
	1	Single Point CB	N/A	N/A	N/A	N/A	N/A
	1	Single Point NFDS	N/A	N/A	N/A	N/A	024-30964-000
4B	1	SP Handle (CB & NFDS)	N/A	N/A	N/A	N/A	025-35697-000
	1	SP Shaft (CB & NFDS)	N/A	N/A	N/A	N/A	025-35696-000
4C	1	SP Ground Lug	N/A	N/A	N/A	025-34085-000	025-34089-000

XX*	Multi Point supply TB
MB*	Multi Point supply CBs
MD*	Multi Point supply NFDSs
SB*	Single Point TB supply w/ Separate System CBs
DB*	Single Point NFDS supply w/ Separate System CBs

^S = Recommended Spare Part

***Service Note:**

Locate the PANEL NUMBER sticker on the upper right hand corner of the power panel, then refer to the appropriate parts list for that number. Or, identify PIN number positions 16 and 17 on unit identification plate (See example on Page 4) then compare to table at right for power configuration options.

OPTIONS AND POWER PANEL COMPONENTS (CONT'D)

TABLE 13 – WYE DELTA POWER PANEL COMPONENTS - MODEL YCAS0128-58
(SEE FIGS. 9-13, PAGES 30-36)

Item	Qty	Description	YCAS0128-58				
			371-04115-152* XX*	371-04115-252* MB*	371-04115-352* MD*	371-04115-452* SB*	371-04115-552* DB*
1A	2	Compressor Contactor (System 1)	024-31107-000	024-31107-000	024-31107-000	024-31107-000	024-31107-000
	2	Compressor Contactor (System 2)	024-31106-000	024-31106-000	024-31106-000	024-31106-000	024-31106-000
1B	1	Compressor Contactor (System 1)	024-31106-000	024-31106-000	024-31106-000	024-31106-000	024-31106-000
	1	Compressor Contactor (System 2)	024-31106-000	024-31106-000	024-31106-000	024-31106-000	024-31106-000
1C	6	Surge Suppressor	031-02203-000	031-02203-000	031-02203-000	031-02203-000	031-02203-000
1D	2	Mechanical Interlock	024-31601-000	024-31601-000	024-31601-000	024-31601-000	024-31601-000
1G ^S	2	Motor Protector	024-30907-000	024-30907-000	024-30907-000	024-30907-000	024-30907-000
1I	2	Ground Lug	025-34088-000	025-34088-000	025-34088-000	025-34088-000	025-34088-000
3A	3	Terminal Block (System 1)	025-38363-000	N/A	N/A	N/A	N/A
	3	Terminal Block (System 2)	025-38358-000	N/A	N/A	N/A	N/A
	1	Circuit Breaker (System 1)	N/A	025-34649-000	N/A	025-34649-000	025-34649-000
	1	Circuit Breaker (System 2)	N/A	024-31843-000	N/A	024-31843-000	024-31843-000
	1	NF Disconnect Switch (System 1)	N/A	N/A	024-31888-000	N/A	N/A
	1	NF Disconnect Switch (System 2)	N/A	N/A	024-31888-000	N/A	N/A
3B	2	MP Handle (CB & NFDS)	N/A	025-35697-000	025-35697-000	025-35697-000	025-35697-000
	2	MP Shaft (CB & NFDS)	N/A	025-35696-000	025-35696-000	025-35696-000	025-35696-000
3C	2	Auxiliary Switch	N/A	024-31646-000	024-31646-000	024-31646-000	024-31646-000
3J	2	MP Ground Lug	025-34088-000	025-34088-000	025-34088-000	025-34088-000	025-34088-000
4A	6	Single Point TB	N/A	N/A	N/A	025-38364-000	N/A
	1	Single Point CB	N/A	N/A	N/A	N/A	N/A
	1	Single Point NFDS	N/A	N/A	N/A	N/A	024-30963-000
4B	1	SP Handle (CB & NFDS)	N/A	N/A	N/A	N/A	025-35697-000
	1	SP Shaft (CB & NFDS)	N/A	N/A	N/A	N/A	025-35696-000
4C	1	SP Ground Lug	N/A	N/A	N/A	025-34089-000	025-34089-000

XX*	Multi Point supply TB
MB*	Multi Point supply CBs
MD*	Multi Point supply NFDSs
SB*	Single Point TB supply w/ Separate System CBs
DB*	Single Point NFDS supply w/ Separate System CBs

^S = Recommended Spare Part

***Service Note:**

Locate the PANEL NUMBER sticker on the upper right hand corner of the power panel, then refer to the appropriate parts list for that number. Or, identify PIN number positions 16 and 17 on unit identification plate (See example on Page 4) then compare to table at right for power configuration options.

OPTIONS AND POWER PANEL COMPONENTS (CONT'D)

TABLE 13 – WYE DELTA POWER PANEL COMPONENTS - MODEL YCAS0138-17
(SEE FIGS. 9-13, PAGES 30-36)

Item	Qty	Description	YCAS0138-17				
			371-04115-151* XX*	371-04115-277* MB*	371-04115-376* MD*	371-04115-483* SB*	371-04115-577* DB*
1A	2	Compressor Contactor (System 1)	024-31892-000	024-31892-000	024-31892-000	024-31892-000	024-31892-000
	2	Compressor Contactor (System 2)	024-31892-000	024-31892-000	024-31892-000	024-31892-000	024-31892-000
1B	1	Compressor Contactor (System 1)	024-31110-000	024-31110-000	024-31110-000	024-31110-000	024-31110-000
	1	Compressor Contactor (System 2)	024-31110-000	024-31110-000	024-31110-000	024-31110-000	024-31110-000
1C	2	Surge Suppressor	031-02203-000	031-02203-000	031-02203-000	031-02203-000	031-02203-000
1D	2	Mechanical Interlock	024-34263-000	024-34263-000	024-34263-000	024-34263-000	024-34263-000
1GS	2	Motor Protector	024-30907-000	024-30907-000	024-30907-000	024-30907-000	024-30907-000
1I	2	Ground Lug	025-34089-000	025-34089-000	025-34089-000	025-34089-000	025-34089-000
3A	3	Terminal Block (System 1)	025-38364-000	N/A	N/A	N/A	N/A
	3	Terminal Block (System 2)	025-38364-000	N/A	N/A	N/A	N/A
	1	Circuit Breaker (System 1)	N/A	025-34425-000	N/A	025-34425-000	025-34425-000
	1	Circuit Breaker (System 2)	N/A	025-34425-000	N/A	025-34425-000	025-34425-000
	1	NF Disconnect Switch (System 1)	N/A	N/A	024-30964-000	N/A	N/A
	1	NF Disconnect Switch (System 2)	N/A	N/A	024-30964-000	N/A	N/A
3B	2	MP Handle (CB & NFDS)	N/A	025-35697-000	025-35697-000	025-35697-000	025-35697-000
	2	MP Shaft (CB & NFDS)	N/A	025-35696-000	025-35696-000	025-35696-000	025-35696-000
3C	2	Auxiliary Switch	N/A	024-31648-000	024-31646-000	024-31648-000	024-31648-000
3J	2	MP Ground Lug	025-34089-000	025-34085-000	025-34085-000	025-34085-000	025-34085-000
4A	6	Single Point TB	N/A	N/A	N/A	025-38370-000	N/A
	1	Single Point CB	N/A	N/A	N/A	N/A	N/A
	1	Single Point NFDS	N/A	N/A	N/A	N/A	024-31889-000
4B	1	SP Handle (CB & NFDS)	N/A	N/A	N/A	N/A	025-35697-000
	1	SP Shaft (CB & NFDS)	N/A	N/A	N/A	N/A	025-35696-000
4C	1	SP Ground Lug	N/A	N/A	N/A	025-34085-000	025-34089-000

XX*	Multi Point supply TB
MB*	Multi Point supply CBs
MD*	Multi Point supply NFDSs
SB*	Single Point TB supply w/ Separate System CBs
DB*	Single Point NFDS supply w/ Separate System CBs

S = Recommended Spare Part

***Service Note:**

Locate the PANEL NUMBER sticker on the upper right hand corner of the power panel, then refer to the appropriate parts list for that number. Or, identify PIN number positions 16 and 17 on unit identification plate (See example on Page 4) then compare to table at right for power configuration options.

OPTIONS AND POWER PANEL COMPONENTS (CONT'D)

TABLE 13 – WYE DELTA POWER PANEL COMPONENTS - MODEL YCAS0138-28
(SEE FIGS. 9-13, PAGES 30-36)

Item	Qty	Description	YCAS0138-28				
			371-04115-170* XX*	371-04115-269* MB*	371-04115-370* MD*	371-04115-470* SB*	371-04115-592* DB*
1A	2	Compressor Contactor (System 1)	024-31891-000	024-31891-000	024-31891-000	024-31891-000	024-31891-000
	2	Compressor Contactor (System 2)	024-31891-000	024-31891-000	024-31891-000	024-31891-000	024-31891-000
1B	1	Compressor Contactor (System 1)	024-31109-000	024-31109-000	024-31109-000	024-31109-000	024-31109-000
	1	Compressor Contactor (System 2)	024-31109-000	024-31109-000	024-31109-000	024-31109-000	024-31109-000
1C	2	Surge Suppressor	031-02203-000	031-02203-000	031-02203-000	031-02203-000	031-02203-000
1D	2	Mechanical Interlock	024-34263-000	024-34263-000	024-34263-000	024-34263-000	024-34263-000
1G ^S	2	Motor Protector	024-30907-000	024-30907-000	024-30907-000	024-30907-000	024-30907-000
1I	2	Ground Lug	025-34089-000	025-34089-000	025-34089-000	025-34089-000	025-34089-000
3A	3	Terminal Block (System 1)	025-38370-000	N/A	N/A	N/A	N/A
	3	Terminal Block (System 2)	025-38370-000	N/A	N/A	N/A	N/A
	1	Circuit Breaker (System 1)	N/A	025-34424-000	N/A	025-34424-000	025-34424-000
	1	Circuit Breaker (System 2)	N/A	025-34424-000	N/A	025-34424-000	025-34424-000
	1	NF Disconnect Switch (System 1)	N/A	N/A	024-30964-000	N/A	N/A
	1	NF Disconnect Switch (System 2)	N/A	N/A	024-30964-000	N/A	N/A
3B	2	MP Handle (CB & NFDS)	N/A	025-35697-000	025-35697-000	025-35697-000	025-35697-000
	2	MP Shaft (CB & NFDS)	N/A	025-35696-000	025-35696-000	025-35696-000	025-35696-000
3C	2	Auxiliary Switch	N/A	024-31646-000	024-31648-000	024-31646-000	024-31646-000
3J	2	MP Ground Lug	025-34085-000	025-34085-000	025-34085-000	025-34085-000	025-34085-000
4A	6	Single Point TB	N/A	N/A	N/A	025-38370-000	N/A
	1	Single Point CB	N/A	N/A	N/A	N/A	N/A
	1	Single Point NFDS	N/A	N/A	N/A	N/A	024-31889-000
4B	1	SP Handle (CB & NFDS)	N/A	N/A	N/A	N/A	025-35697-000
	1	SP Shaft (CB & NFDS)	N/A	N/A	N/A	N/A	025-35696-000
4C	1	SP Ground Lug	N/A	N/A	N/A	025-34085-000	025-34089-000

XX*	Multi Point supply TB
MB*	Multi Point supply CBs
MD*	Multi Point supply NFDSs
SB*	Single Point TB supply w/ Separate System CBs
DB*	Single Point NFDS supply w/ Separate System CBs

^S = Recommended Spare Part

***Service Note:**

Locate the PANEL NUMBER sticker on the upper right hand corner of the power panel, then refer to the appropriate parts list for that number. Or, identify PIN number positions 16 and 17 on unit identification plate (See example on Page 4) then compare to table at right for power configuration options.

OPTIONS AND POWER PANEL COMPONENTS (CONT'D)

TABLE 13 – WYE DELTA POWER PANEL COMPONENTS - MODEL YCAS0138-40
(SEE FIGS. 9-13, PAGES 30-36)

Item	Qty	Description	YCAS0138-40				
			371-04115-157* XX*	371-04115-258* MB*	371-04115-358* MD*	371-04115-491* SB*	371-04115-558* DB*
1A	2	Compressor Contactor (System 1)	024-31109-000	024-31109-000	024-31109-000	024-31109-000	024-31109-000
	2	Compressor Contactor (System 2)	024-31109-000	024-31109-000	024-31109-000	024-31109-000	024-31109-000
1B	1	Compressor Contactor (System 1)	024-31106-000	024-31106-000	024-31106-000	024-31106-000	024-31106-000
	1	Compressor Contactor (System 2)	024-31106-000	024-31106-000	024-31106-000	024-31106-000	024-31106-000
1C	2	Surge Suppressor	031-02203-000	031-02203-000	031-02203-000	031-02203-000	031-02203-000
1D	2	Mechanical Interlock	024-31601-000	024-31601-000	024-31601-000	024-31601-000	024-31601-000
1GS	2	Motor Protector	024-30907-000	024-30907-000	024-30907-000	024-30907-000	024-30907-000
1I	2	Ground Lug	025-34089-000	025-34089-000	025-34089-000	025-34089-000	025-34089-000
3A	3	Terminal Block (System 1)	025-38364-000	N/A	N/A	N/A	N/A
	3	Terminal Block (System 2)	025-38364-000	N/A	N/A	N/A	N/A
	1	Circuit Breaker (System 1)	N/A	024-31819-000	N/A	024-31819-000	024-31819-000
	1	Circuit Breaker (System 2)	N/A	024-31819-000	N/A	024-31819-000	024-31819-000
	1	NF Disconnect Switch (System 1)	N/A	N/A	024-30963-000	N/A	N/A
	1	NF Disconnect Switch (System 2)	N/A	N/A	024-30963-000	N/A	N/A
3B	2	MP Handle (CB & NFDS)	N/A	025-35697-000	025-35697-000	025-35697-000	025-35697-000
	2	MP Shaft (CB & NFDS)	N/A	025-35696-000	025-35696-000	025-35696-000	025-35696-000
3C	2	Auxiliary Switch	N/A	024-31646-000	024-31646-000	024-31646-000	024-31646-000
3J	2	MP Ground Lug	025-34089-000	025-34088-000	025-34089-000	025-34088-000	025-34088-000
4A	6	Single Point TB	N/A	N/A	N/A	025-38364-000	N/A
	1	Single Point CB	N/A	N/A	N/A	N/A	N/A
	1	Single Point NFDS	N/A	N/A	N/A	N/A	024-30964-000
4B	1	SP Handle (CB & NFDS)	N/A	N/A	N/A	N/A	025-35697-000
	1	SP Shaft (CB & NFDS)	N/A	N/A	N/A	N/A	025-35696-000
4C	1	SP Ground Lug	N/A	N/A	N/A	025-34089-000	025-34089-000

XX*	Multi Point supply TB
MB*	Multi Point supply CBs
MD*	Multi Point supply NFDSs
SB*	Single Point TB supply w/ Separate System CBs
DB*	Single Point NFDS supply w/ Separate System CBs

S = Recommended Spare Part

***Service Note:**

Locate the **PANEL NUMBER** sticker on the upper right hand corner of the power panel, then refer to the appropriate parts list for that number. Or, identify PIN number positions 16 and 17 on unit identification plate (See example on Page 4) then compare to table at right for power configuration options.

OPTIONS AND POWER PANEL COMPONENTS (CONT'D)

TABLE 13 – WYE DELTA POWER PANEL COMPONENTS - MODEL YCAS0138-46
(SEE FIGS. 9-13, PAGES 30-36)

Item	Qty	Description	YCAS0138-46				
			371-04115-156* XX*	371-04115-256* MB*	371-04115-384* MD*	371-04115-456* SB*	371-04115-556* DB*
1A	2	Compressor Contactor (System 1)	024-31640-000	024-31640-000	024-31640-000	024-31640-000	024-31640-000
	2	Compressor Contactor (System 2)	024-31640-000	024-31640-000	024-31640-000	024-31640-000	024-31640-000
1B	1	Compressor Contactor (System 1)	024-31106-000	024-31106-000	024-31106-000	024-31106-000	024-31106-000
	1	Compressor Contactor (System 2)	024-31106-000	024-31106-000	024-31106-000	024-31106-000	024-31106-000
1C	2	Surge Suppressor	031-02203-000	031-02203-000	031-02203-000	031-02203-000	031-02203-000
1D	2	Mechanical Interlock	024-31601-000	024-31601-000	024-31601-000	024-31601-000	024-31601-000
1GS	2	Motor Protector	024-30907-000	024-30907-000	024-30907-000	024-30907-000	024-30907-000
1I	2	Ground Lug	025-34088-000	025-34088-000	025-34088-000	025-34088-000	025-34088-000
3A	3	Terminal Block (System 1)	025-38363-000	N/A	N/A	N/A	N/A
	3	Terminal Block (System 2)	025-38363-000	N/A	N/A	N/A	N/A
	1	Circuit Breaker (System 1)	N/A	024-31819-000	N/A	024-31819-000	024-31819-000
	1	Circuit Breaker (System 2)	N/A	024-31819-000	N/A	024-31819-000	024-31819-000
	1	NF Disconnect Switch (System 1)	N/A	N/A	024-30963-000	N/A	N/A
	1	NF Disconnect Switch (System 2)	N/A	N/A	024-30963-000	N/A	N/A
3B	2	MP Handle (CB & NFDS)	N/A	025-35697-000	025-35697-000	025-35697-000	025-35697-000
	2	MP Shaft (CB & NFDS)	N/A	025-35696-000	025-35696-000	025-35696-000	025-35696-000
3C	2	Auxiliary Switch	N/A	024-31646-000	024-31646-000	024-31646-000	024-31646-000
3J	2	MP Ground Lug	025-34088-000	025-34088-000	025-34089-000	025-34088-000	025-34088-000
4A	6	Single Point TB	N/A	N/A	N/A	025-38370-000	N/A
	1	Single Point CB	N/A	N/A	N/A	N/A	N/A
	1	Single Point NFDS	N/A	N/A	N/A	N/A	024-30964-000
4B	1	SP Handle (CB & NFDS)	N/A	N/A	N/A	N/A	025-35697-000
	1	SP Shaft (CB & NFDS)	N/A	N/A	N/A	N/A	025-35696-000
4C	1	SP Ground Lug	N/A	N/A	N/A	025-34085-000	025-34089-000

XX*	Multi Point supply TB
MB*	Multi Point supply CBs
MD*	Multi Point supply NFDSs
SB*	Single Point TB supply w/ Separate System CBs
DB*	Single Point NFDS supply w/ Separate System CBs

S = Recommended Spare Part

***Service Note:**

Locate the **PANEL NUMBER** sticker on the upper right hand corner of the power panel, then refer to the appropriate parts list for that number. Or, identify PIN number positions 16 and 17 on unit identification plate (See example on Page 4) then compare to table at right for power configuration options.

OPTIONS AND POWER PANEL COMPONENTS (CONT'D)

TABLE 13 – WYE DELTA POWER PANEL COMPONENTS - MODEL YCAS0138-58
(SEE FIGS. 9-13, PAGES 30-36)

Item	Qty	Description	YCAS0138-58				
			371-04115-154* XX*	371-04115-254* MB*	371-04115-354* MD*	371-04115-454* SB*	371-04115-554* DB*
1A	2	Compressor Contactor (System 1)	024-31607-000	024-31607-000	024-31607-000	024-31607-000	024-31607-000
	2	Compressor Contactor (System 2)	024-31607-000	024-31607-000	024-31607-000	024-31607-000	024-31607-000
1B	1	Compressor Contactor (System 1)	024-31106-000	024-31106-000	024-31106-000	024-31106-000	024-31106-000
	1	Compressor Contactor (System 2)	024-31106-000	024-31106-000	024-31106-000	024-31106-000	024-31106-000
1C	2	Surge Suppressor	031-02203-000	031-02203-000	031-02203-000	031-02203-000	031-02203-000
1D	2	Mechanical Interlock	024-31601-000	024-31601-000	024-31601-000	024-31601-000	024-31601-000
1GS	2	Motor Protector	024-30907-000	024-30907-000	024-30907-000	024-30907-000	024-30907-000
1I	2	Ground Lug	025-34088-000	025-34088-000	025-34088-000	025-34088-000	025-34088-000
3A	3	Terminal Block (System 1)	025-38363-000	N/A	N/A	N/A	N/A
	3	Terminal Block (System 2)	025-38363-000	N/A	N/A	N/A	N/A
	1	Circuit Breaker (System 1)	N/A	024-31649-000	N/A	024-31649-000	024-31649-000
	1	Circuit Breaker (System 2)	N/A	024-31649-000	N/A	024-31649-000	024-31649-000
	1	NF Disconnect Switch (System 1)	N/A	N/A	024-31888-000	N/A	N/A
	1	NF Disconnect Switch (System 2)	N/A	N/A	024-31888-000	N/A	N/A
3B	2	MP Handle (CB & NFDS)	N/A	025-35697-000	025-35697-000	025-35697-000	025-35697-000
	2	MP Shaft (CB & NFDS)	N/A	025-35696-000	025-35696-000	025-35696-000	025-35696-000
3C	2	Auxiliary Switch	N/A	024-31646-000	024-31646-000	024-31646-000	024-31646-000
3J	2	MP Ground Lug	025-34088-000	025-34088-000	025-34088-000	025-34088-000	025-34088-000
4A	6	Single Point TB	N/A	N/A	N/A	025-38364-000	N/A
	1	Single Point CB	N/A	N/A	N/A	N/A	N/A
	1	Single Point NFDS	N/A	N/A	N/A	N/A	024-30963-000
4B	1	SP Handle (CB & NFDS)	N/A	N/A	N/A	N/A	025-35697-000
	1	SP Shaft (CB & NFDS)	N/A	N/A	N/A	N/A	025-35696-000
4C	1	SP Ground Lug	N/A	N/A	N/A	025-34089-000	025-34089-000

XX*	Multi Point supply TB
MB*	Multi Point supply CBs
MD*	Multi Point supply NFDSs
SB*	Single Point TB supply w/ Separate System CBs
DB*	Single Point NFDS supply w/ Separate System CBs

S = Recommended Spare Part

***Service Note:**

Locate the **PANEL NUMBER** sticker on the upper right hand corner of the power panel, then refer to the appropriate parts list for that number. Or, identify PIN number positions 16 and 17 on unit identification plate (See example on Page 4) then compare to table at right for power configuration options.

OPTIONS AND POWER PANEL COMPONENTS (CONT'D)

TABLE 13 – WYE DELTA POWER PANEL COMPONENTS - MODEL YCAS0148-17
(SEE FIGS. 9-13, PAGES 30-36)

Item	Qty	Description	YCAS0148-17				
			371-04115-151* XX*	371-04115-277* MB*	371-04115-376* MD*	371-04115-483* SB*	371-04115-577* DB*
1A	2	Compressor Contactor (System 1)	024-31892-000	024-31892-000	024-31892-000	024-31892-000	024-31892-000
	2	Compressor Contactor (System 2)	024-31892-000	024-31892-000	024-31892-000	024-31892-000	024-31892-000
1B	1	Compressor Contactor (System 1)	024-31110-000	024-31110-000	024-31110-000	024-31110-000	024-31110-000
	1	Compressor Contactor (System 2)	024-31110-000	024-31110-000	024-31110-000	024-31110-000	024-31110-000
1C	2	Surge Suppressor	031-02203-000	031-02203-000	031-02203-000	031-02203-000	031-02203-000
1D	2	Mechanical Interlock	024-34263-000	024-34263-000	024-34263-000	024-34263-000	024-34263-000
1GS	2	Motor Protector	024-30907-000	024-30907-000	024-30907-000	024-30907-000	024-30907-000
1I	2	Ground Lug	025-34089-000	025-34089-000	025-34089-000	025-34089-000	025-34089-000
3A	3	Terminal Block (System 1)	025-38364-000	N/A	N/A	N/A	N/A
	3	Terminal Block (System 2)	025-38364-000	N/A	N/A	N/A	N/A
	1	Circuit Breaker (System 1)	N/A	025-34425-000	N/A	025-34425-000	025-34425-000
	1	Circuit Breaker (System 2)	N/A	025-34425-000	N/A	025-34425-000	025-34425-000
	1	NF Disconnect Switch (System 1)	N/A	N/A	024-30964-000	N/A	N/A
	1	NF Disconnect Switch (System 2)	N/A	N/A	024-30964-000	N/A	N/A
3B	2	MP Handle (CB & NFDS)	N/A	025-35697-000	025-35697-000	025-35697-000	025-35697-000
	2	MP Shaft (CB & NFDS)	N/A	025-35696-000	025-35696-000	025-35696-000	025-35696-000
3C	2	Auxiliary Switch	N/A	024-31648-000	024-31646-000	024-31648-000	024-31648-000
3J	2	MP Ground Lug	025-34089-000	025-34085-000	025-34085-000	025-34085-000	025-34085-000
4A	9	Single Point TB	N/A	N/A	N/A	025-38370-000	N/A
	1	Single Point CB	N/A	N/A	N/A	N/A	N/A
	1	Single Point NFDS	N/A	N/A	N/A	N/A	024-31889-000
4B	1	SP Handle (CB & NFDS)	N/A	N/A	N/A	N/A	025-35697-000
	1	SP Shaft (CB & NFDS)	N/A	N/A	N/A	N/A	025-35696-000
4C	1	SP Ground Lug	N/A	N/A	N/A	025-34085-000	025-34089-000

XX*	Multi Point supply TB
MB*	Multi Point supply CBs
MD*	Multi Point supply NFDSs
SB*	Single Point TB supply w/ Separate System CBs
DB*	Single Point NFDS supply w/ Separate System CBs

S = Recommended Spare Part

***Service Note:**

Locate the PANEL NUMBER sticker on the upper right hand corner of the power panel, then refer to the appropriate parts list for that number. Or, identify PIN number positions 16 and 17 on unit identification plate (See example on Page 4) then compare to table at right for power configuration options.

OPTIONS AND POWER PANEL COMPONENTS (CONT'D)

TABLE 13 – WYE DELTA POWER PANEL COMPONENTS - MODEL YCAS0148-28
(SEE FIGS. 9-13, PAGES 30-36)

Item	Qty	Description	YCAS0148-28				
			371-04115-170* XX*	371-04115-269* MB*	371-04115-370* MD*	371-04115-470* SB*	371-04115-592* DB*
1A	2	Compressor Contactor (System 1)	024-31891-000	024-31891-000	024-31891-000	024-31891-000	024-31891-000
	2	Compressor Contactor (System 2)	024-31891-000	024-31891-000	024-31891-000	024-31891-000	024-31891-000
1B	1	Compressor Contactor (System 1)	024-31109-000	024-31109-000	024-31109-000	024-31109-000	024-31109-000
	1	Compressor Contactor (System 2)	024-31109-000	024-31109-000	024-31109-000	024-31109-000	024-31109-000
1C	2	Surge Suppressor	031-02203-000	031-02203-000	031-02203-000	031-02203-000	031-02203-000
1D	2	Mechanical Interlock	024-34263-000	024-34263-000	024-34263-000	024-34263-000	024-34263-000
1G ^S	2	Motor Protector	024-30907-000	024-30907-000	024-30907-000	024-30907-000	024-30907-000
1I	2	Ground Lug	025-34089-000	025-34089-000	025-34089-000	025-34089-000	025-34089-000
3A	3	Terminal Block (System 1)	025-39370-000	N/A	N/A	N/A	N/A
	3	Terminal Block (System 2)	025-38370-000	N/A	N/A	N/A	N/A
	1	Circuit Breaker (System 1)	N/A	025-34424-000	N/A	025-34424-000	025-34424-000
	1	Circuit Breaker (System 2)	N/A	025-34424-000	N/A	025-34424-000	025-34424-000
	1	NF Disconnect Switch (System 1)	N/A	N/A	024-30964-000	N/A	N/A
	1	NF Disconnect Switch (System 2)	N/A	N/A	024-30964-000	N/A	N/A
3B	2	MP Handle (CB & NFDS)	N/A	025-35697-000	025-35697-000	025-35697-000	025-35697-000
	2	MP Shaft (CB & NFDS)	N/A	025-35696-000	025-35696-000	025-35696-000	025-35696-000
3C	2	Auxiliary Switch	N/A	024-31646-000	024-31646-000	024-31646-000	024-31646-000
3J	2	MP Ground Lug	025-34085-000	025-34085-000	025-34085-000	025-34085-000	025-34085-000
4A	6	Single Point TB	N/A	N/A	N/A	025-38370-000	N/A
	1	Single Point CB	N/A	N/A	N/A	N/A	N/A
	1	Single Point NFDS	N/A	N/A	N/A	N/A	024-31889-000
4B	1	SP Handle (CB & NFDS)	N/A	N/A	N/A	N/A	025-35697-000
	1	SP Shaft (CB & NFDS)	N/A	N/A	N/A	N/A	025-35696-000
4C	1	SP Ground Lug	N/A	N/A	N/A	025-34085-000	025-34089-000

XX*	Multi Point supply TB
MB*	Multi Point supply CBs
MD*	Multi Point supply NFDSs
SB*	Single Point TB supply w/ Separate System CBs
DB*	Single Point NFDS supply w/ Separate System CBs

^S = Recommended Spare Part

***Service Note:**

Locate the **PANEL NUMBER** sticker on the upper right hand corner of the power panel, then refer to the appropriate parts list for that number. Or, identify PIN number positions 16 and 17 on unit identification plate (See example on Page 4) then compare to table at right for power configuration options.

Option & Power Panel

OPTIONS AND POWER PANEL COMPONENTS (CONT'D)

TABLE 13 – WYE DELTA POWER PANEL COMPONENTS - MODEL YCAS0148-40
(SEE FIGS. 9-13, PAGES 30-36)

Item	Qty	Description	YCAS0148-40				
			371-04115-157* XX*	371-04115-258* MB*	371-04115-358* MD*	371-04115-491* SB*	371-04115-558* DB*
1A	2	Compressor Contactor (System 1)	024-31109-000	024-31109-000	024-31109-000	024-31109-000	024-31109-000
	2	Compressor Contactor (System 2)	024-31109-000	024-31109-000	024-31109-000	024-31109-000	024-31109-000
1B	1	Compressor Contactor (System 1)	024-31106-000	024-31106-000	024-31106-000	024-31106-000	024-31106-000
	1	Compressor Contactor (System 2)	024-31106-000	024-31106-000	024-31106-000	024-31106-000	024-31106-000
1C	2	Surge Suppressor	031-02203-000	031-02203-000	031-02203-000	031-02203-000	031-02203-000
1D	2	Mechanical Interlock	024-31601-000	024-31601-000	024-31601-000	024-31601-000	024-31601-000
1GS	2	Motor Protector	024-30907-000	024-30907-000	024-30907-000	024-30907-000	024-30907-000
1I	2	Ground Lug	025-34089-000	025-34089-000	025-34089-000	025-34089-000	025-34089-000
3A	3	Terminal Block (System 1)	025-38364-000	N/A	N/A	N/A	N/A
	3	Terminal Block (System 2)	025-38364-000	N/A	N/A	N/A	N/A
	1	Circuit Breaker (System 1)	N/A	024-31819-000	N/A	024-31819-000	024-31819-000
	1	Circuit Breaker (System 2)	N/A	024-31819-000	N/A	024-31819-000	024-31819-000
	1	NF Disconnect Switch (System 1)	N/A	N/A	024-30963-000	N/A	N/A
	1	NF Disconnect Switch (System 2)	N/A	N/A	024-30963-000	N/A	N/A
3B	2	MP Handle (CB & NFDS)	N/A	025-35697-000	025-35697-000	025-35697-000	025-35697-000
	2	MP Shaft (CB & NFDS)	N/A	025-35696-000	025-35696-000	025-35696-000	025-35696-000
3C	2	Auxiliary Switch	N/A	024-31646-000	024-31646-000	024-31646-000	024-31646-000
3J	2	MP Ground Lug	025-34089-000	025-34088-000	025-34089-000	025-34088-000	025-34088-000
4A	6	Single Point TB	N/A	N/A	N/A	025-38364-000	N/A
	1	Single Point CB	N/A	N/A	N/A	N/A	N/A
	1	Single Point NFDS	N/A	N/A	N/A	N/A	024-30964-000
4B	1	SP Handle (CB & NFDS)	N/A	N/A	N/A	N/A	025-35697-000
	1	SP Shaft (CB & NFDS)	N/A	N/A	N/A	N/A	025-35696-000
4C	1	SP Ground Lug	N/A	N/A	N/A	025-34089-000	025-34089-000

XX*	Multi Point supply TB
MB*	Multi Point supply CBs
MD*	Multi Point supply NFDSs
SB*	Single Point TB supply w/ Separate System CBs
DB*	Single Point NFDS supply w/ Separate System CBs

S = Recommended Spare Part

***Service Note:**

Locate the **PANEL NUMBER** sticker on the upper right hand corner of the power panel, then refer to the appropriate parts list for that number. Or, identify PIN number positions 16 and 17 on unit identification plate (See example on Page 4) then compare to table at right for power configuration options.

OPTIONS AND POWER PANEL COMPONENTS (CONT'D)

TABLE 13 – WYE DELTA POWER PANEL COMPONENTS - MODEL YCAS0148-46
(SEE FIGS. 9-13, PAGES 30-36)

Item	Qty	Description	YCAS0148-46				
			371-04115-156* XX*	371-04115-256* MB*	371-04115-384* MD*	371-04115-456* SB*	371-04115-556* DB*
1A	2	Compressor Contactor (System 1)	024-31640-000	024-31640-000	024-31640-000	024-31640-000	024-31640-000
	2	Compressor Contactor (System 2)	024-31640-000	024-31640-000	024-31640-000	024-31640-000	024-31640-000
1B	1	Compressor Contactor (System 1)	024-31106-000	024-31106-000	024-31106-000	024-31106-000	024-31106-000
	1	Compressor Contactor (System 2)	024-31106-000	024-31106-000	024-31106-000	024-31106-000	024-31106-000
1C	2	Surge Suppressor	031-02203-000	031-02203-000	031-02203-000	031-02203-000	031-02203-000
1D	2	Mechanical Interlock	024-31601-000	024-31601-000	024-31601-000	024-31601-000	024-31601-000
1GS	2	Motor Protector	024-30907-000	024-30907-000	024-30907-000	024-30907-000	024-30907-000
1I	2	Ground Lug	025-34088-000	025-34088-000	025-34088-000	025-34088-000	025-34088-000
3A	3	Terminal Block (System 1)	025-38363-000	N/A	N/A	N/A	N/A
	3	Terminal Block (System 2)	025-38363-000	N/A	N/A	N/A	N/A
	1	Circuit Breaker (System 1)	N/A	024-31819-000	N/A	024-31819-000	024-31819-000
	1	Circuit Breaker (System 2)	N/A	024-31819-000	N/A	024-31819-000	024-31819-000
	1	NF Disconnect Switch (System 1)	N/A	N/A	024-30963-000	N/A	N/A
	1	NF Disconnect Switch (System 2)	N/A	N/A	024-30963-000	N/A	N/A
3B	2	MP Handle (CB & NFDS)	N/A	025-35697-000	025-35697-000	025-35697-000	025-35697-000
	2	MP Shaft (CB & NFDS)	N/A	025-35696-000	025-35696-000	025-35696-000	025-35696-000
3C	2	Auxiliary Switch	N/A	024-31646-000	024-31646-000	024-31646-000	024-31646-000
3J	2	MP Ground Lug	025-34088-000	025-34088-000	025-34089-000	025-34088-000	025-34088-000
4A	6	Single Point TB	N/A	N/A	N/A	025-38370-000	N/A
	1	Single Point CB	N/A	N/A	N/A	N/A	N/A
	1	Single Point NFDS	N/A	N/A	N/A	N/A	024-30964-000
4B	1	SP Handle (CB & NFDS)	N/A	N/A	N/A	N/A	025-35697-000
	1	SP Shaft (CB & NFDS)	N/A	N/A	N/A	N/A	025-35696-000
4C	1	SP Ground Lug	N/A	N/A	N/A	025-34085-000	025-34089-000

XX*	Multi Point supply TB
MB*	Multi Point supply CBs
MD*	Multi Point supply NFDSs
SB*	Single Point TB supply w/ Separate System CBs
DB*	Single Point NFDS supply w/ Separate System CBs

S = Recommended Spare Part

***Service Note:**

Locate the PANEL NUMBER sticker on the upper right hand corner of the power panel, then refer to the appropriate parts list for that number. Or, identify PIN number positions 16 and 17 on unit identification plate (See example on Page 4) then compare to table at right for power configuration options.

Option & Power Panel

OPTIONS AND POWER PANEL COMPONENTS (CONT'D)

TABLE 13 – WYE DELTA POWER PANEL COMPONENTS - MODEL YCAS0148-58
(SEE FIGS. 9-13, PAGES 30-36)

Item	Qty	Description	YCAS0148-58				
			371-04115-154* XX*	371-04115-254* MB*	371-04115-354* MD*	371-04115-454* SB*	371-04115-554* DB*
1A	2	Compressor Contactor (System 1)	024-31107-000	024-31107-000	024-31107-000	024-31107-000	024-31107-000
	2	Compressor Contactor (System 2)	024-31107-000	024-31107-000	024-31107-000	024-31107-000	024-31107-000
1B	1	Compressor Contactor (System 1)	024-31106-000	024-31106-000	024-31106-000	024-31106-000	024-31106-000
	1	Compressor Contactor (System 2)	024-31106-000	024-31106-000	024-31106-000	024-31106-000	024-31106-000
1C	6	Surge Suppressor	031-02203-000	031-02203-000	031-02203-000	031-02203-000	031-02203-000
1D	2	Mechanical Interlock	024-31601-000	024-31601-000	024-31601-000	024-31601-000	024-31601-000
1GS	2	Motor Protector	024-30907-000	024-30907-000	024-30907-000	024-30907-000	024-30907-000
1I	2	Ground Lug	025-34088-000	025-34088-000	025-34088-000	025-34088-000	025-34088-000
3A	3	Terminal Block (System 1)	025-38363-000	N/A	N/A	N/A	N/A
	3	Terminal Block (System 2)	025-38363-000	N/A	N/A	N/A	N/A
	1	Circuit Breaker (System 1)	N/A	024-31649-000	N/A	024-31649-000	024-31649-000
	1	Circuit Breaker (System 2)	N/A	024-31649-000	N/A	024-31649-000	024-31649-000
	1	NF Disconnect Switch (System 1)	N/A	N/A	024-31888-000	N/A	N/A
	1	NF Disconnect Switch (System 2)	N/A	N/A	024-31888-000	N/A	N/A
3B	2	MP Handle (CB & NFDS)	N/A	025-35697-000	025-35697-000	025-35697-000	025-35697-000
	2	MP Shaft (CB & NFDS)	N/A	025-35696-000	025-35696-000	025-35696-000	025-35696-000
3C	2	Auxiliary Switch	N/A	024-31646-000	024-31646-000	024-31646-000	024-31646-000
3J	2	MP Ground Lug	025-34088-000	025-34089-000	025-34088-000	025-34089-000	025-34089-000
4A	6	Single Point TB	N/A	N/A	N/A	025-38364-000	N/A
	1	Single Point CB	N/A	N/A	N/A	N/A	N/A
	1	Single Point NFDS	N/A	N/A	N/A	N/A	024-30963-000
4B	1	SP Handle (CB & NFDS)	N/A	N/A	N/A	N/A	025-35697-000
	1	SP Shaft (CB & NFDS)	N/A	N/A	N/A	N/A	025-35696-000
4C	1	SP Ground Lug	N/A	N/A	N/A	025-34089-000	025-34089-000

XX*	Multi Point supply TB
MB*	Multi Point supply CBs
MD*	Multi Point supply NFDSs
SB*	Single Point TB supply w/ Separate System CBs
DB*	Single Point NFDS supply w/ Separate System CBs

S = Recommended Spare Part

***Service Note:**

Locate the PANEL NUMBER sticker on the upper right hand corner of the power panel, then refer to the appropriate parts list for that number. Or, identify PIN number positions 16 and 17 on unit identification plate (See example on Page 4) then compare to table at right for power configuration options.

OPTIONS AND POWER PANEL COMPONENTS (CONT'D)

TABLE 13 – WYE DELTA POWER PANEL COMPONENTS - MODEL YCAS0158-17
(SEE FIGS. 9-13, PAGES 30-36)

Item	Qty	Description	YCAS0158-17				
			371-04115-177* XX*	371-04115-281* MB*	371-04115-381* MD*	371-04115-481* SB*	371-04115-581* DB*
1A	2	Compressor Contactor (System 1)	024-31893-000	024-31893-000	024-31893-000	024-31893-000	024-31893-000
	2	Compressor Contactor (System 2)	024-31892-000	024-31892-000	024-31892-000	024-31892-000	024-31892-000
1B	1	Compressor Contactor (System 1)	024-31891-000	024-31891-000	024-31891-000	024-31891-000	024-31891-000
	1	Compressor Contactor (System 2)	024-31110-000	024-31110-000	024-31110-000	024-31110-000	024-31110-000
1C	2	Surge Suppressor	031-02203-000	031-02203-000	031-02203-000	031-02203-000	031-02203-000
1D	2	Mechanical Interlock	024-34263-000	024-34263-000	024-34263-000	024-34263-000	024-34263-000
1GS	2	Motor Protector	024-30907-000	024-30907-000	024-30907-000	024-30907-000	024-30907-000
1I	2	Ground Lug	025-34089-000	025-34089-000	025-34089-000	025-34089-000	025-34089-000
3A	3	Terminal Block (System 1)	025-38364-000	N/A	N/A	N/A	N/A
	3	Terminal Block (System 2)	025-38364-000	N/A	N/A	N/A	N/A
	1	Circuit Breaker (System 1)	N/A	025-34425-000	N/A	025-34425-000	025-34425-000
	1	Circuit Breaker (System 2)	N/A	025-34425-000	N/A	025-34425-000	025-34425-000
	1	NF Disconnect Switch (System 1)	N/A	N/A	024-30965-000	N/A	N/A
	1	NF Disconnect Switch (System 2)	N/A	N/A	024-30964-000	N/A	N/A
3B	2	MP Handle (CB & NFDS)	N/A	025-35697-000	025-35697-000	025-35697-000	025-35697-000
	2	MP Shaft (CB & NFDS)	N/A	025-35696-000	025-35696-000	025-35696-000	025-35696-000
3C	2	Auxiliary Switch	N/A	024-31648-000	024-31648-000	024-31648-000	024-31648-000
3J	2	MP Ground Lug	025-34089-000	025-34085-000	025-34085-000	025-34085-000	025-34085-000
4A	6	Single Point TB	N/A	N/A	N/A	025-38364-000	N/A
	1	Single Point CB	N/A	N/A	N/A	N/A	025-31889-000
	1	Single Point NFDS	N/A	N/A	N/A	N/A	N/A
4B	1	SP Handle (CB & NFDS)	N/A	N/A	N/A	N/A	025-35697-000
	1	SP Shaft (CB & NFDS)	N/A	N/A	N/A	N/A	025-35696-000
4C	1	SP Ground Lug	N/A	N/A	N/A	025-34089-000	025-34089-000

XX*	Multi Point supply TB
MB*	Multi Point supply CBs
MD*	Multi Point supply NFDSs
SB*	Single Point TB supply w/ Separate System CBs
DB*	Single Point NFDS supply w/ Separate System CBs

S = Recommended Spare Part

***Service Note:**

Locate the **PANEL NUMBER** sticker on the upper right hand corner of the power panel, then refer to the appropriate parts list for that number. Or, identify PIN number positions 16 and 17 on unit identification plate (See example on Page 4) then compare to table at right for power configuration options.

Option & Power Panel

OPTIONS AND POWER PANEL COMPONENTS (CONT'D)

TABLE 13 – WYE DELTA POWER PANEL COMPONENTS - MODEL YCAS0158-28
(SEE FIGS. 9-13, PAGES 30-36)

Item	Qty	Description	YCAS0158-28				
			371-04115-179* XX*	371-04115-279* MB*	371-04115-379* MD*	371-04115-479* SB*	371-04115-579* DB*
1A	2	Compressor Contactor (System 1)	024-31893-000	024-31893-000	024-31893-000	024-31893-000	024-31893-000
	2	Compressor Contactor (System 2)	024-31891-000	024-31891-000	024-31891-000	024-31891-000	024-31891-000
1B	1	Compressor Contactor (System 1)	024-31891-000	024-31891-000	024-31891-000	024-31891-000	024-31891-000
	1	Compressor Contactor (System 2)	024-31109-000	024-31109-000	024-31109-000	024-31109-000	024-31109-000
1C	2	Surge Suppressor	031-02203-000	031-02203-000	031-02203-000	031-02203-000	031-02203-000
1D	2	Mechanical Interlock	024-34263-000	024-34263-000	024-34263-000	024-34263-000	024-34263-000
1G ^S	2	Motor Protector	024-30907-000	024-30907-000	024-30907-000	024-30907-000	024-30907-000
1I	2	Ground Lug	025-34089-000	025-34089-000	025-34089-000	025-34089-000	025-34089-000
3A	3	Terminal Block (System 1)	025-38364-000	N/A	N/A	N/A	N/A
	3	Terminal Block (System 2)	025-38370-000	N/A	N/A	N/A	N/A
	1	Circuit Breaker (System 1)	N/A	025-34425-000	N/A	025-34425-000	025-34425-000
	1	Circuit Breaker (System 2)	N/A	025-34424-000	N/A	025-34424-000	025-34424-000
	1	NF Disconnect Switch (System 1)	N/A	N/A	024-30964-000	N/A	N/A
	1	NF Disconnect Switch (System 2)	N/A	N/A	024-30964-000	N/A	N/A
3B	2	MP Handle (CB & NFDS)	N/A	025-35697-000	025-35697-000	025-35697-000	025-35697-000
	2	MP Shaft (CB & NFDS)	N/A	025-35696-000	025-35696-000	025-35696-000	025-35696-000
3C	1	Auxiliary Switch (System 1)	N/A	024-31648-000	024-31646-000	024-31648-000	024-31648-000
	1	Auxiliary Switch (System 2)		024-31646-000		024-31646-000	024-31646-000
3J	1	MP Ground Lug (System 1)	025-34089-000	025-34085-000	025-34085-000	025-34085-000	025-34085-000
	1	MP Ground Lug (System 2)	025-34085-000				
4A	6	Single Point TB	N/A	N/A	N/A	025-38370-000	N/A
	1	Single Point CB	N/A	N/A	N/A	N/A	N/A
	1	Single Point NFDS	N/A	N/A	N/A	N/A	024-31889-000
4B	1	SP Handle (CB & NFDS)	N/A	N/A	N/A	N/A	025-35697-000
	1	SP Shaft (CB & NFDS)	N/A	N/A	N/A	N/A	025-35696-000
4C	1	SP Ground Lug	N/A	N/A	N/A	025-34085-000	025-34089-000

XX*	Multi Point supply TB
MB*	Multi Point supply CBs
MD*	Multi Point supply NFDSs
SB*	Single Point TB supply w/ Separate System CBs
DB*	Single Point NFDS supply w/ Separate System CBs

^S = Recommended Spare Part

***Service Note:**

Locate the PANEL NUMBER sticker on the upper right hand corner of the power panel, then refer to the appropriate parts list for that number. Or, identify PIN number positions 16 and 17 on unit identification plate (See example on Page 4) then compare to table at right for power configuration options.

OPTIONS AND POWER PANEL COMPONENTS (CONT'D)

TABLE 13 – WYE DELTA POWER PANEL COMPONENTS - MODEL YCAS0158-40
(SEE FIGS. 9-13, PAGES 30-36)

Item	Qty	Description	YCAS0158-40				
			371-04115-168* XX*	371-04115-274* MB*	371-04115-374* MD*	371-04115-474* SB*	371-04115-593* DB*
1A	2	Compressor Contactor (System 1)	024-31891-000	024-31891-000	024-31891-000	024-31891-000	024-31891-000
	2	Compressor Contactor (System 2)	024-31109-000	024-31109-000	024-31109-000	024-31109-000	024-31109-000
1B	1	Compressor Contactor (System 1)	024-31109-000	024-31109-000	024-31109-000	024-31109-000	024-31109-000
	1	Compressor Contactor (System 2)	024-31106-000	024-31106-000	024-31106-000	024-31106-000	024-31106-000
1C	2	Surge Suppressor	031-02203-000	031-02203-000	031-02203-000	031-02203-000	031-02203-000
1D	1	Mechanical Interlock (System 1)	024-34263-000	024-34263-000	024-34263-000	024-34263-000	024-34263-000
	1	Mechanical Interlock (System 2)	024-31601-000	024-31601-000	024-31601-000	024-31601-000	024-31601-000
1GS	2	Motor Protector	024-30907-000	024-30907-000	024-30907-000	024-30907-000	024-30907-000
1I	2	Ground Lug	025-34089-000	025-34089-000	025-34089-000	025-34089-000	025-34089-000
3A	3	Terminal Block (System 1)	025-38364-000	N/A	N/A	N/A	N/A
	3	Terminal Block (System 2)	025-38364-000	N/A	N/A	N/A	N/A
	1	Circuit Breaker (System 1)	N/A	025-34424-000	N/A	025-34424-000	025-34424-000
	1	Circuit Breaker (System 2)	N/A	024-31819-000	N/A	024-31819-000	024-31819-000
	1	NF Disconnect Switch (System 1)	N/A	N/A	024-30963-000	N/A	N/A
	1	NF Disconnect Switch (System 2)	N/A	N/A	024-30963-000	N/A	N/A
3B	2	MP Handle (CB & NFDS)	N/A	025-35697-000	025-35697-000	025-35697-000	025-35697-000
	2	MP Shaft (CB & NFDS)	N/A	025-35696-000	025-35696-000	025-35696-000	025-35696-000
3C	2	Auxiliary Switch	N/A	024-31646-000	024-31646-000	024-31646-000	024-31646-000
3J	1	MP Ground Lug (System 1)	025-34089-000	025-34085-000	025-34089-000	025-34085-000	025-34085-000
	1	MP Ground Lug (System 2)		025-34088-000		025-34088-000	025-34088-000
4A	6	Single Point TB	N/A	N/A	N/A	025-38364-000	N/A
	1	Single Point CB	N/A	N/A	N/A	N/A	N/A
	1	Single Point NFDS	N/A	N/A	N/A	N/A	024-30965-000
4B	1	SP Handle (CB & NFDS)	N/A	N/A	N/A	N/A	025-35697-000
	1	SP Shaft (CB & NFDS)	N/A	N/A	N/A	N/A	025-35696-000
4C	1	SP Ground Lug	N/A	N/A	N/A	025-34089-000	025-34085-000

XX*	Multi Point supply TB
MB*	Multi Point supply CBs
MD*	Multi Point supply NFDSs
SB*	Single Point TB supply w/ Separate System CBs
DB*	Single Point NFDS supply w/ Separate System CBs

S = Recommended Spare Part

***Service Note:**

Locate the PANEL NUMBER sticker on the upper right hand corner of the power panel, then refer to the appropriate parts list for that number. Or, identify PIN number positions 16 and 17 on unit identification plate (See example on Page 4) then compare to table at right for power configuration options.

Option & Power Panel

OPTIONS AND POWER PANEL COMPONENTS (CONT'D)

TABLE 13 – WYE DELTA POWER PANEL COMPONENTS - MODEL YCAS0158-46
(SEE FIGS. 9-13, PAGES 30-36)

Item	Qty	Description	YCAS0158-46				
			371-04115-160* XX*	371-04115-260* MB*	371-04115-359* MD*	371-04115-461* SB*	371-04115-561* DB*
1A	2	Compressor Contactor (System 1)	024-31110-000	024-31110-000	024-31110-000	024-31110-000	024-31110-000
	2	Compressor Contactor (System 2)	024-31640-000	024-31640-000	024-31640-000	024-31640-000	024-31640-000
1B	1	Compressor Contactor (System 1)	024-31107-000	024-31107-000	024-31107-000	024-31107-000	024-31107-000
	1	Compressor Contactor (System 2)	024-31106-000	024-31106-000	024-31106-000	024-31106-000	024-31106-000
1C	2	Surge Suppressor	031-02203-000	031-02203-000	031-02203-000	031-02203-000	031-02203-000
1D	2	Mechanical Interlock	024-31601-000	024-31601-000	024-31601-000	024-31601-000	024-31601-000
1G ^S	2	Motor Protector	024-30907-000	024-30907-000	024-30907-000	024-30907-000	024-30907-000
1I	1	Ground Lug (System 1)	025-34089-000	025-34089-000	025-34089-000	025-34089-000	025-34089-000
	1	Ground Lug (System 2)	025-34088-000	025-34088-000	025-34088-000	025-34088-000	025-34088-000
3A	3	Terminal Block (System 1)	025-38364-000	N/A	N/A	N/A	N/A
	3	Terminal Block (System 2)	025-38363-000	N/A	N/A	N/A	N/A
	1	Circuit Breaker (System 1)	N/A	025-34419-000	N/A	025-34419-000	025-34419-000
	1	Circuit Breaker (System 2)	N/A	024-31819-000	N/A	024-31819-000	024-31819-000
	1	NF Disconnect Switch (System 1)	N/A	N/A	024-30963-000	N/A	N/A
	1	NF Disconnect Switch (System 2)	N/A	N/A	024-31888-000	N/A	N/A
3B	2	MP Handle (CB & NFDS)	N/A	025-35697-000	025-35697-000	025-35697-000	025-35697-000
	2	MP Shaft (CB & NFDS)	N/A	025-35696-000	025-35696-000	025-35696-000	025-35696-000
3C	2	Auxiliary Switch	N/A	024-31646-000	024-31646-000	024-31646-000	024-31646-000
3J	1	MP Ground Lug (System 1)	025-34089-000	025-34089-000	025-34089-000	025-34089-000	025-34089-000
	1	MP Ground Lug (System 2)	025-34088-000	025-34088-000	025-34088-000	025-34088-000	025-34088-000
4A	6	Single Point TB	N/A	N/A	N/A	025-38370-000	N/A
	1	Single Point CB	N/A	N/A	N/A	N/A	N/A
	1	Single Point NFDS	N/A	N/A	N/A	N/A	024-30964-000
4B	1	SP Handle (CB & NFDS)	N/A	N/A	N/A	N/A	025-35697-000
	1	SP Shaft (CB & NFDS)	N/A	N/A	N/A	N/A	025-35696-000
4C	1	SP Ground Lug	N/A	N/A	N/A	025-34085-000	025-34089-000

XX*	Multi Point supply TB
MB*	Multi Point supply CBs
MD*	Multi Point supply NFDSs
SB*	Single Point TB supply w/ Separate System CBs
DB*	Single Point NFDS supply w/ Separate System CBs

^S = Recommended Spare Part

***Service Note:**

Locate the PANEL NUMBER sticker on the upper right hand corner of the power panel, then refer to the appropriate parts list for that number. Or, identify PIN number positions 16 and 17 on unit identification plate (See example on Page 4) then compare to table at right for power configuration options.

OPTIONS AND POWER PANEL COMPONENTS (CONT'D)

TABLE 13 – WYE DELTA POWER PANEL COMPONENTS - MODEL YCAS0158-58
(SEE FIGS. 9-13, PAGES 30-36)

Item	Qty	Description	YCAS0158-58				
			371-04115-155* XX*	371-04115-255* MB*	371-04115-355* MD*	371-04115-455* SB*	371-04115-555* DB*
1A	2	Compressor Contactor (System 1)	024-31109-000	024-31109-000	024-31109-000	024-31109-000	024-31109-000
	2	Compressor Contactor (System 2)	024-31107-000	024-31107-000	024-31107-000	024-31107-000	024-31107-000
1B	1	Compressor Contactor (System 1)	024-31106-000	024-31106-000	024-31106-000	024-31106-000	024-31106-000
	1	Compressor Contactor (System 2)	024-31106-000	024-31106-000	024-31106-000	024-31106-000	024-31106-000
1C	2	Surge Suppressor	031-02203-000	031-02203-000	031-02203-000	031-02203-000	031-02203-000
1D	2	Mechanical Interlock	024-31601-000	024-31601-000	024-31601-000	024-31601-000	024-31601-000
1GS	2	Motor Protector	024-30907-000	024-30907-000	024-30907-000	024-30907-000	024-30907-000
1I	1	Ground Lug (System 1)	025-34089-000	025-34089-000	025-34089-000	025-34089-000	025-34089-000
	1	Ground Lug (System 2)	025-34088-000	025-34088-000	025-34088-000	025-34088-000	025-34088-000
3A	3	Terminal Block (System 1)	025-38363-000	N/A	N/A	N/A	N/A
	3	Terminal Block (System 2)	025-38363-000	N/A	N/A	N/A	N/A
	1	Circuit Breaker (System 1)	N/A	025-34419-000	N/A	025-34419-000	025-34419-000
	1	Circuit Breaker (System 2)	N/A	024-31649-000	N/A	024-31649-000	024-31649-000
	1	NF Disconnect Switch (System 1)	N/A	N/A	024-30963-000	N/A	N/A
	1	NF Disconnect Switch (System 2)	N/A	N/A	024-31888-000	N/A	N/A
3B	2	MP Handle (CB & NFDS)	N/A	025-35697-000	025-35697-000	025-35697-000	025-35697-000
	2	MP Shaft (CB & NFDS)	N/A	025-35696-000	025-35696-000	025-35696-000	025-35696-000
3C	2	Auxiliary Switch	N/A	024-31646-000	024-31646-000	024-31646-000	024-31646-000
3J	1	MP Ground Lug (System 1)	025-34088-000	025-34089-000	025-34089-000	025-34089-000	025-34089-000
	1	MP Ground Lug (System 2)		025-34088-000	025-34088-000	025-34088-000	025-34088-000
4A	6	Single Point TB	N/A	N/A	N/A	025-38370-000	N/A
	1	Single Point CB	N/A	N/A	N/A	N/A	N/A
	1	Single Point NFDS	N/A	N/A	N/A	N/A	024-30964-000
4B	1	SP Handle (CB & NFDS)	N/A	N/A	N/A	N/A	025-35697-000
	1	SP Shaft (CB & NFDS)	N/A	N/A	N/A	N/A	025-35696-000
4C	1	SP Ground Lug	N/A	N/A	N/A	025-34085-000	025-34089-000

XX*	Multi Point supply TB
MB*	Multi Point supply CBs
MD*	Multi Point supply NFDSs
SB*	Single Point TB supply w/ Separate System CBs
DB*	Single Point NFDS supply w/ Separate System CBs

S = Recommended Spare Part

***Service Note:**

Locate the PANEL NUMBER sticker on the upper right hand corner of the power panel, then refer to the appropriate parts list for that number. Or, identify PIN number positions 16 and 17 on unit identification plate (See example on Page 4) then compare to table at right for power configuration options.

Option & Power Panel

OPTIONS AND POWER PANEL COMPONENTS (CONT'D)

TABLE 13 – WYE DELTA POWER PANEL COMPONENTS - MODEL YCAS0178-17
(SEE FIGS. 9-13, PAGES 30-36)

Item	Qty	Description	YCAS0178-17				
			371-04115-166* XX*	371-04115-268* MB*	371-04115-366* MD*	371-04115-487* SB*	N/A DB*
1A	2	Compressor Contactor (System 1)	024-31893-000	024-31893-000	024-31893-000	024-31893-000	N/A
	2	Compressor Contactor (System 2)	024-31893-000	024-31893-000	024-31893-000	024-31893-000	N/A
1B	1	Compressor Contactor (System 1)	024-31891-000	024-31891-000	024-31891-000	024-31891-000	N/A
	1	Compressor Contactor (System 2)	024-31891-000	024-31891-000	024-31891-000	024-31891-000	N/A
1C	2	Surge Suppressor	031-02203-000	031-02203-000	031-02203-000	031-02203-000	N/A
1D	2	Mechanical Interlock	024-34263-000	024-34263-000	024-34263-000	024-34263-000	N/A
1G ^S	2	Motor Protector	024-30907-000	024-30907-000	024-30907-000	024-30907-000	N/A
1I	2	Ground Lug	025-34089-000	025-34089-000	025-34089-000	025-34089-000	N/A
3A	3	Terminal Block (System 1)	025-38364-000	N/A	N/A	N/A	N/A
	3	Terminal Block (System 2)	025-38364-000	N/A	N/A	N/A	N/A
	1	Circuit Breaker (System 1)	N/A	025-34425-000	N/A	025-34425-000	N/A
	1	Circuit Breaker (System 2)	N/A	025-34425-000	N/A	025-34425-000	N/A
	1	NF Disconnect Switch (System 1)	N/A	N/A	024-30965-000	N/A	N/A
	1	NF Disconnect Switch (System 2)	N/A	N/A	024-30965-000	N/A	N/A
3B	2	MP Handle (CB & NFDS)	N/A	025-35697-000	025-35697-000	025-35697-000	N/A
	2	MP Shaft (CB & NFDS)	N/A	025-35696-000	025-35696-000	025-35696-000	N/A
3C	2	Auxiliary Switch	N/A	024-31648-000	024-31648-000	024-31648-000	N/A
3J	2	MP Ground Lug	025-34089-000	025-34085-000	025-34085-000	025-34085-000	N/A
4A	9	Single Point TB	N/A	N/A	N/A	025-38370-000	N/A
	1	Single Point CB	N/A	N/A	N/A	N/A	N/A
	1	Single Point NFDS	N/A	N/A	N/A	N/A	N/A
4B	1	SP Handle (CB & NFDS)	N/A	N/A	N/A	N/A	N/A
	1	SP Shaft (CB & NFDS)	N/A	N/A	N/A	N/A	N/A
4C	1	SP Ground Lug	N/A	N/A	N/A	025-34085-000	N/A

XX*	Multi Point supply TB
MB*	Multi Point supply CBs
MD*	Multi Point supply NFDSs
SB*	Single Point TB supply w/ Separate System CBs
DB*	Single Point NFDS supply w/ Separate System CBs

^S = Recommended Spare Part

***Service Note:**

Locate the PANEL NUMBER sticker on the upper right hand corner of the power panel, then refer to the appropriate parts list for that number. Or, identify PIN number positions 16 and 17 on unit identification plate (See example on Page 4) then compare to table at right for power configuration options.

OPTIONS AND POWER PANEL COMPONENTS (CONT'D)

TABLE 13 – WYE DELTA POWER PANEL COMPONENTS - MODEL YCAS0178-28
(SEE FIGS. 9-13, PAGES 30-36)

Item	Qty	Description	YCAS0178-28				
			371-04115-166* XX*	371-04115-268* MB*	371-04115-368* MD*	371-04115-484* SB*	N/A DB*
1A	2	Compressor Contactor (System 1)	024-31893-000	024-31893-000	024-31893-000	024-31893-000	N/A
	2	Compressor Contactor (System 2)	024-31893-000	024-31893-000	024-31893-000	024-31893-000	N/A
1B	1	Compressor Contactor (System 1)	024-31891-000	024-31891-000	024-31891-000	024-31891-000	N/A
	1	Compressor Contactor (System 2)	024-31891-000	024-31891-000	024-31891-000	024-31891-000	N/A
1C	2	Surge Suppressor	031-02203-000	031-02203-000	031-02203-000	031-02203-000	N/A
1D	2	Mechanical Interlock	024-34263-000	024-34263-000	024-34263-000	024-34263-000	N/A
1G^S	2	Motor Protector	024-30907-000	024-30907-000	024-30907-000	024-30907-000	N/A
1I	2	Ground Lug	025-34089-000	025-34089-000	025-34089-000	025-34089-000	N/A
3A	3	Terminal Block (System 1)	025-38364-000	N/A	N/A	N/A	N/A
	3	Terminal Block (System 2)	025-38364-000	N/A	N/A	N/A	N/A
	1	Circuit Breaker (System 1)	N/A	025-34425-000	N/A	025-34425-000	N/A
	1	Circuit Breaker (System 2)	N/A	025-34425-000	N/A	025-34425-000	N/A
	1	NF Disconnect Switch (System 1)	N/A	N/A	024-30964-000	N/A	N/A
	1	NF Disconnect Switch (System 2)	N/A	N/A	024-30964-000	N/A	N/A
3B	2	MP Handle (CB & NFDS)	N/A	025-35697-000	025-35697-000	025-35697-000	N/A
	2	MP Shaft (CB & NFDS)	N/A	025-35696-000	025-35696-000	025-35696-000	N/A
3C	2	Auxiliary Switch	N/A	024-31648-000	024-31646-000	024-31648-000	N/A
3J	2	MP Ground Lug	025-34089-000	025-34085-000	025-34085-000	025-34085-000	N/A
4A	6	Single Point TB	N/A	N/A	N/A	025-38364-000	N/A
	1	Single Point CB	N/A	N/A	N/A	N/A	N/A
	1	Single Point NFDS	N/A	N/A	N/A	N/A	N/A
4B	1	SP Handle (CB & NFDS)	N/A	N/A	N/A	N/A	N/A
	1	SP Shaft (CB & NFDS)	N/A	N/A	N/A	N/A	N/A
4C	1	SP Ground Lug	N/A	N/A	N/A	025-34089-000	N/A

XX*	Multi Point supply TB
MB*	Multi Point supply CBs
MD*	Multi Point supply NFDSs
SB*	Single Point TB supply w/ Separate System CBs
DB*	Single Point NFDS supply w/ Separate System CBs

^S = Recommended Spare Part

***Service Note:**

Locate the PANEL NUMBER sticker on the upper right hand corner of the power panel, then refer to the appropriate parts list for that number. Or, identify PIN number positions 16 and 17 on unit identification plate (See example on Page 4) then compare to table at right for power configuration options.

OPTIONS AND POWER PANEL COMPONENTS (CONT'D)

TABLE 13 – WYE DELTA POWER PANEL COMPONENTS - MODEL YCAS0178-40
(SEE FIGS. 9-13, PAGES 30-36)

Item	Qty	Description	YCAS0178-40				
			371-04115-169* XX*	371-04115-269* MB*	371-04115-369* MD*	371-04115-469* SB*	371-04115-569* DB*
1A	2	Compressor Contactor (System 1)	024-31891-000	024-31891-000	024-31891-000	024-31891-000	024-31891-000
	2	Compressor Contactor (System 2)	024-31891-000	024-31891-000	024-31891-000	024-31891-000	024-31891-000
1B	1	Compressor Contactor (System 1)	024-31109-000	024-31109-000	024-31109-000	024-31109-000	024-31109-000
	1	Compressor Contactor (System 2)	024-31109-000	024-31109-000	024-31109-000	024-31109-000	024-31109-000
1C	2	Surge Suppressor	031-02203-000	031-02203-000	031-02203-000	031-02203-000	031-02203-000
1D	2	Mechanical Interlock	024-34263-000	024-34263-000	024-34263-000	024-34263-000	024-34263-000
1G ^S	2	Motor Protector	024-30907-000	024-30907-000	024-30907-000	024-30907-000	024-30907-000
1I	2	Ground Lug	025-34089-000	025-34089-000	025-34089-000	025-34089-000	025-34089-000
3A	3	Terminal Block (System 1)	025-38364-000	N/A	N/A	N/A	N/A
	3	Terminal Block (System 2)	025-38364-000	N/A	N/A	N/A	N/A
	1	Circuit Breaker (System 1)	N/A	025-34424-000	N/A	025-34424-000	025-34424-000
	1	Circuit Breaker (System 2)	N/A	025-34424-000	N/A	025-34424-000	025-34424-000
	1	NF Disconnect Switch (System 1)	N/A	N/A	024-30963-000	N/A	N/A
	1	NF Disconnect Switch (System 2)	N/A	N/A	024-30963-000	N/A	N/A
3B	2	MP Handle (CB & NFDS)	N/A	025-35697-000	025-35697-000	025-35697-000	025-35697-000
	2	MP Shaft (CB & NFDS)	N/A	025-35696-000	025-35696-000	025-35696-000	025-35696-000
3C	2	Auxiliary Switch	N/A	024-31646-000	024-31646-000	024-31646-000	024-31646-000
3J	2	MP Ground Lug	025-34089-000	025-34085-000	025-34089-000	025-34085-000	025-34085-000
4A	6	Single Point TB	N/A	N/A	N/A	025-38364-000	N/A
	1	Single Point CB	N/A	N/A	N/A	N/A	N/A
	1	Single Point NFDS	N/A	N/A	N/A	N/A	024-30965-000
4B	1	SP Handle (CB & NFDS)	N/A	N/A	N/A	N/A	025-35697-000
	1	SP Shaft (CB & NFDS)	N/A	N/A	N/A	N/A	025-35696-000
4C	1	SP Ground Lug	N/A	N/A	N/A	025-34089-000	025-34085-000

XX*	Multi Point supply TB
MB*	Multi Point supply CBs
MD*	Multi Point supply NFDSs
SB*	Single Point TB supply w/ Separate System CBs
DB*	Single Point NFDS supply w/ Separate System CBs

^S = Recommended Spare Part

***Service Note:**

Locate the PANEL NUMBER sticker on the upper right hand corner of the power panel, then refer to the appropriate parts list for that number. Or, identify PIN number positions 16 and 17 on unit identification plate (See example on Page 4) then compare to table at right for power configuration options.

OPTIONS AND POWER PANEL COMPONENTS (CONT'D)

TABLE 13 – WYE DELTA POWER PANEL COMPONENTS - MODEL YCAS0178-46
(SEE FIGS. 9-13, PAGES 30-36)

Item	Qty	Description	YCAS0178-46				
			371-04115-164* XX*	371-04115-264* MB*	371-04115-364* MD*	371-04115-464* SB*	371-04115-564* DB*
1A	2	Compressor Contactor (System 1)	024-31110-000	024-31110-000	024-31110-000	024-31110-000	024-31110-000
	2	Compressor Contactor (System 2)	024-31110-000	024-31110-000	024-31110-000	024-31110-000	024-31110-000
1B	1	Compressor Contactor (System 1)	024-31107-000	024-31107-000	024-31107-000	024-31107-000	024-31107-000
	1	Compressor Contactor (System 2)	024-31107-000	024-31107-000	024-31107-000	024-31107-000	024-31107-000
1C	2	Surge Suppressor	031-02203-000	031-02203-000	031-02203-000	031-02203-000	031-02203-000
1D	2	Mechanical Interlock	024-31601-000	024-31601-000	024-31601-000	024-31601-000	024-31601-000
1G^S	2	Motor Protector	024-30907-000	024-30907-000	024-30907-000	024-30907-000	024-30907-000
1I	2	Ground Lug	025-34089-000	025-34089-000	025-34089-000	025-34089-000	025-34089-000
3A	3	Terminal Block (System 1)	025-38364-000	N/A	N/A	N/A	N/A
	3	Terminal Block (System 2)	025-38364-000	N/A	N/A	N/A	N/A
	1	Circuit Breaker (System 1)	N/A	025-34419-000	N/A	025-34419-000	025-34419-000
	1	Circuit Breaker (System 2)	N/A	025-34419-000	N/A	025-34419-000	025-34419-000
	1	NF Disconnect Switch (System 1)	N/A	N/A	024-30963-000	N/A	N/A
	1	NF Disconnect Switch (System 2)	N/A	N/A	024-30963-000	N/A	N/A
3B	2	MP Handle (CB & NFDS)	N/A	025-35697-000	025-35697-000	025-35697-000	025-35697-000
	2	MP Shaft (CB & NFDS)	N/A	025-35696-000	025-35696-000	025-35696-000	025-35696-000
3C	2	Auxiliary Switch	N/A	024-31646-000	024-31646-000	024-31646-000	024-31646-000
3J	2	MP Ground Lug	025-34089-000	025-34089-000	025-34089-000	025-34089-000	025-34089-000
4A	6	Single Point TB	N/A	N/A	N/A	025-38364-000	N/A
	1	Single Point CB	N/A	N/A	N/A	N/A	N/A
	1	Single Point NFDS	N/A	N/A	N/A	N/A	024-30964-000
4B	1	SP Handle (CB & NFDS)	N/A	N/A	N/A	N/A	025-35697-000
	1	SP Shaft (CB & NFDS)	N/A	N/A	N/A	N/A	025-35696-000
4C	1	SP Ground Lug	N/A	N/A	N/A	025-34089-000	025-34089-000

XX*	Multi Point supply TB
MB*	Multi Point supply CBs
MD*	Multi Point supply NFDSs
SB*	Single Point TB supply w/ Separate System CBs
DB*	Single Point NFDS supply w/ Separate System CBs

^S = Recommended Spare Part

***Service Note:**

Locate the PANEL NUMBER sticker on the upper right hand corner of the power panel, then refer to the appropriate parts list for that number. Or, identify PIN number positions 16 and 17 on unit identification plate (See example on Page 4) then compare to table at right for power configuration options.

Option & Power Panel

OPTIONS AND POWER PANEL COMPONENTS (CONT'D)

TABLE 13 – WYE DELTA POWER PANEL COMPONENTS - MODEL YCAS0178-58
(SEE FIGS. 9-13, PAGES 30-36)

Item	Qty	Description	YCAS0178-58				
			371-04115-156* XX*	371-04115-257* MB*	371-04115-356* MD*	371-04115-459* SB*	371-04115-559* DB*
1A	2	Compressor Contactor (System 1)	024-31640-000	024-31640-000	024-31640-000	024-31640-000	024-31640-000
	2	Compressor Contactor (System 2)	024-31640-000	024-31640-000	024-31640-000	024-31640-000	024-31640-000
1B	1	Compressor Contactor (System 1)	024-31106-000	024-31106-000	024-31106-000	024-31106-000	024-31106-000
	1	Compressor Contactor (System 2)	024-31106-000	024-31106-000	024-31106-000	024-31106-000	024-31106-000
1C	6	Surge Suppressor	031-02203-000	031-02203-000	031-02203-000	031-02203-000	031-02203-000
1D	2	Mechanical Interlock	024-31601-000	024-31601-000	024-31601-000	024-31601-000	024-31601-000
1G ^S	2	Motor Protector	024-30907-000	024-30907-000	024-30907-000	024-30907-000	024-30907-000
1I	2	Ground Lug	025-34088-000	025-34088-000	025-34088-000	025-34088-000	025-34088-000
3A	3	Terminal Block (System 1)	025-38363-000	N/A	N/A	N/A	N/A
	3	Terminal Block (System 2)	025-38363-000	N/A	N/A	N/A	N/A
	1	Circuit Breaker (System 1)	N/A	025-34419-000	N/A	025-34419-000	025-34419-000
	1	Circuit Breaker (System 2)	N/A	025-34419-000	N/A	025-34419-000	025-34419-000
	1	NF Disconnect Switch (System 1)	N/A	N/A	024-30963-000	N/A	N/A
	1	NF Disconnect Switch (System 2)	N/A	N/A	024-30963-000	N/A	N/A
3B	2	MP Handle (CB & NFDS)	N/A	025-35697-000	025-35697-000	025-35697-000	025-35697-000
	2	MP Shaft (CB & NFDS)	N/A	025-35696-000	025-35696-000	025-35696-000	025-35696-000
3C	2	Auxiliary Switch	N/A	024-31646-000	024-31646-000	024-31646-000	024-31646-000
3J	2	MP Ground Lug	025-34088-000	025-34089-000	025-34089-000	025-34089-000	025-34089-000
4A	6	Single Point TB	N/A	N/A	N/A	025-38370-000	N/A
	1	Single Point CB	N/A	N/A	N/A	N/A	N/A
	1	Single Point NFDS	N/A	N/A	N/A	N/A	024-30964-000
4B	1	SP Handle (CB & NFDS)	N/A	N/A	N/A	N/A	025-35697-000
	1	SP Shaft (CB & NFDS)	N/A	N/A	N/A	N/A	025-35696-000
4C	1	SP Ground Lug	N/A	N/A	N/A	025-34085-000	025-34089-000

XX*	Multi Point supply TB
MB*	Multi Point supply CBs
MD*	Multi Point supply NFDSs
SB*	Single Point TB supply w/ Separate System CBs
DB*	Single Point NFDS supply w/ Separate System CBs

^S = Recommended Spare Part

***Service Note:**

Locate the PANEL NUMBER sticker on the upper right hand corner of the power panel, then refer to the appropriate parts list for that number. Or, identify PIN number positions 16 and 17 on unit identification plate (See example on Page 4) then compare to table at right for power configuration options.

OPTIONS AND POWER PANEL COMPONENTS (CONT'D)

TABLE 13 – WYE DELTA POWER PANEL COMPONENTS - MODEL YCAS0198-17
(SEE FIGS. 9-13, PAGES 30-36)

Item	Qty	Description	YCAS0198-17				
			371-04115-180* XX*	371-04115-266* MB*	371-04115-373* MD*	371-04115-486* SB*	N/A DB*
1A	2	Compressor Contactor (System 1)	024-31894-000	024-31894-000	024-31894-000	024-31894-000	N/A
	2	Compressor Contactor (System 2)	024-31893-000	024-31893-000	024-31893-000	024-31893-000	N/A
1B	1	Compressor Contactor (System 1)	024-31891-000	024-31891-000	024-31891-000	024-31891-000	N/A
	1	Compressor Contactor (System 2)	024-31891-000	024-31891-000	024-31891-000	024-31891-000	N/A
1C	2	Surge Suppressor	031-02203-000	031-02203-000	031-02203-000	031-02203-000	N/A
1D	2	Mechanical Interlock	024-34263-000	024-34263-000	024-34263-000	024-34263-000	N/A
1G ^S	2	Motor Protector	024-30907-000	024-30907-000	024-30907-000	024-30907-000	N/A
1I	2	Ground Lug	025-34089-000	025-34089-000	025-34089-000	025-34089-000	N/A
3A	3	Terminal Block (System 1)	025-38370-000	N/A	N/A	N/A	N/A
	3	Terminal Block (System 2)	025-38364-000	N/A	N/A	N/A	N/A
	1	Circuit Breaker (System 1)	N/A	025-34473-000	N/A	025-34473-000	N/A
	1	Circuit Breaker (System 2)	N/A	025-34425-000	N/A	025-34425-000	N/A
	1	NF Disconnect Switch (System 1)	N/A	N/A	024-30965-000	N/A	N/A
	1	NF Disconnect Switch (System 2)	N/A	N/A	024-30964-000	N/A	N/A
3B	2	MP Handle (CB & NFDS)	N/A	025-35697-000	025-35697-000	025-35697-000	N/A
	2	MP Shaft (CB & NFDS)	N/A	025-35696-000	025-35696-000	025-35696-000	N/A
3C	1	Auxiliary Switch (System 1)	N/A	024-31648-000	024-31648-000	024-31648-000	N/A
	1	Auxiliary Switch (System 2)			024-31646-000		
3J	1	MP Ground Lug (System 1)	025-34085-000	025-34085-000	025-34085-000	025-34085-000	N/A
	1	MP Ground Lug (System 2)	025-34089-000				
4A	6	Single Point TB	N/A	N/A	N/A	025-38370-000	N/A
	1	Single Point CB	N/A	N/A	N/A	N/A	N/A
	1	Single Point NFDS	N/A	N/A	N/A	N/A	N/A
4B	1	SP Handle (CB & NFDS)	N/A	N/A	N/A	N/A	N/A
	1	SP Shaft (CB & NFDS)	N/A	N/A	N/A	N/A	N/A
4C	1	SP Ground Lug	N/A	N/A	N/A	025-34085-000	N/A

XX*	Multi Point supply TB
MB*	Multi Point supply CBs
MD*	Multi Point supply NFDSs
SB*	Single Point TB supply w/ Separate System CBs
DB*	Single Point NFDS supply w/ Separate System CBs

^S = Recommended Spare Part

***Service Note:**

Locate the PANEL NUMBER sticker on the upper right hand corner of the power panel, then refer to the appropriate parts list for that number. Or, identify PIN number positions 16 and 17 on unit identification plate (See example on Page 4) then compare to table at right for power configuration options.

Option & Power Panel

OPTIONS AND POWER PANEL COMPONENTS (CONT'D)

TABLE 13 – WYE DELTA POWER PANEL COMPONENTS - MODEL YCAS0198-28
(SEE FIGS. 9-13, PAGES 30-36)

Item	Qty	Description	YCAS0198-28				
			371-04115-177* XX*	371-04115-281* MB*	371-04115-381* MD*	371-04115-481* SB*	N/A DB*
1A	2	Compressor Contactor (System 1)	024-31893-000	024-31893-000	024-31893-000	024-31893-000	N/A
	2	Compressor Contactor (System 2)	024-31892-000	024-31892-000	024-31892-000	024-31892-000	N/A
1B	1	Compressor Contactor (System 1)	024-31891-000	024-31891-000	024-31891-000	024-31891-000	N/A
	1	Compressor Contactor (System 2)	024-31110-000	024-31110-000	024-31110-000	024-31110-000	N/A
1C	2	Surge Suppressor	031-02203-000	031-02203-000	031-02203-000	031-02203-000	N/A
1D	2	Mechanical Interlock	024-34263-000	024-34263-000	024-34263-000	024-34263-000	N/A
1G ^S	2	Motor Protector	024-30907-000	024-30907-000	024-30907-000	024-30907-000	N/A
1I	2	Ground Lug	025-34089-000	025-34089-000	025-34089-000	025-34089-000	N/A
3A	3	Terminal Block (System 1)	025-38364-000	N/A	N/A	N/A	N/A
	3	Terminal Block (System 2)	025-38364-000	N/A	N/A	N/A	N/A
	1	Circuit Breaker (System 1)	N/A	025-34425-000	N/A	025-34425-000	N/A
	1	Circuit Breaker (System 2)	N/A	025-34425-000	N/A	025-34425-000	N/A
	1	NF Disconnect Switch (System 1)	N/A	N/A	024-30965-000	N/A	N/A
	1	NF Disconnect Switch (System 2)	N/A	N/A	024-30964-000	N/A	N/A
3B	2	MP Handle (CB & NFDS)	N/A	025-35697-000	025-35697-000	025-35697-000	N/A
	2	MP Shaft (CB & NFDS)	N/A	025-35696-000	025-35696-000	025-35696-000	N/A
3C	1	Auxiliary Switch (System 1)	N/A	024-31648-000	024-31648-000	024-31648-000	N/A
	1	Auxiliary Switch (System 2)			024-31646-000		
3J	2	MP Ground Lug	025-34089-000	025-34085-000	025-34085-000	025-34085-000	N/A
4A	6	Single Point TB	N/A	N/A	N/A	025-38364-000	N/A
	1	Single Point CB	N/A	N/A	N/A	N/A	N/A
	1	Single Point NFDS	N/A	N/A	N/A	N/A	N/A
4B	1	SP Handle (CB & NFDS)	N/A	N/A	N/A	N/A	N/A
	1	SP Shaft (CB & NFDS)	N/A	N/A	N/A	N/A	N/A
4C	1	SP Ground Lug	N/A	N/A	N/A	025-34089-000	N/A

XX*	Multi Point supply TB
MB*	Multi Point supply CBs
MD*	Multi Point supply NFDSs
SB*	Single Point TB supply w/ Separate System CBs
DB*	Single Point NFDS supply w/ Separate System CBs

^S = Recommended Spare Part

***Service Note:**

Locate the PANEL NUMBER sticker on the upper right hand corner of the power panel, then refer to the appropriate parts list for that number. Or, identify PIN number positions 16 and 17 on unit identification plate (See example on Page 4) then compare to table at right for power configuration options.

OPTIONS AND POWER PANEL COMPONENTS (CONT'D)

TABLE 13 – WYE DELTA POWER PANEL COMPONENTS - MODEL YCAS0198-40
(SEE FIGS. 9-13, PAGES 30-36)

Item	Qty	Description	YCAS0198-40				
			371-04115-172* XX*	371-04115-269* MB*	371-04115-371* MD*	371-04115-469* SB*	371-04115-569* DB*
1A	2	Compressor Contactor (System 1)	024-31891-000	024-31891-000	024-31891-000	024-31891-000	024-31891-000
	2	Compressor Contactor (System 2)	024-31110-000	024-31891-000	024-31891-000	024-31891-000	024-31891-000
1B	1	Compressor Contactor (System 1)	024-31109-000	024-31109-000	024-31109-000	024-31109-000	024-31109-000
	1	Compressor Contactor (System 2)	024-31107-000	024-31109-000	024-31109-000	024-31109-000	024-31109-000
1C	2	Surge Suppressor	031-02203-000	031-02203-000	031-02203-000	031-02203-000	031-02203-000
1D	2	Mechanical Interlock	024-34263-000	024-34263-000	024-34263-000	024-34263-000	024-34263-000
1G ^S	2	Motor Protector	024-30907-000	024-30907-000	024-30907-000	024-30907-000	024-30907-000
1I	2	Ground Lug	025-34089-000	025-34089-000	025-34089-000	025-34089-000	025-34089-000
3A	3	Terminal Block (System 1)	025-38370-000	N/A	N/A	N/A	N/A
	3	Terminal Block (System 2)	025-38364-000	N/A	N/A	N/A	N/A
	1	Circuit Breaker (System 1)	N/A	025-34424-000	N/A	025-34424-000	025-34424-000
	1	Circuit Breaker (System 2)	N/A	025-34424-000	N/A	025-34424-000	025-34424-000
	1	NF Disconnect Switch (System 1)	N/A	N/A	024-30964-000	N/A	N/A
	1	NF Disconnect Switch (System 2)	N/A	N/A	024-30963-000	N/A	N/A
3B	2	MP Handle (CB & NFDS)	N/A	025-35697-000	025-35697-000	025-35697-000	N/A
	2	MP Shaft (CB & NFDS)	N/A	025-35696-000	025-35696-000	025-35696-000	N/A
3C	2	Auxiliary Switch	N/A	024-31646-000	024-31646-000	024-31646-000	024-31646-000
3J	1	MP Ground Lug (System 1)	025-34085-000	025-34085-000	025-34085-000	025-34085-000	025-34085-000
	1	MP Ground Lug (System 2)	025-34089-000		025-34089-000		
4A	6	Single Point TB	N/A	N/A	N/A	025-38364-000	N/A
	1	Single Point CB	N/A	N/A	N/A	N/A	N/A
	1	Single Point NFDS	N/A	N/A	N/A	N/A	024-30965-000
4B	1	SP Handle (CB & NFDS)	N/A	N/A	N/A	N/A	025-35697-000
	1	SP Shaft (CB & NFDS)	N/A	N/A	N/A	N/A	025-35696-000
4C	1	SP Ground Lug	N/A	N/A	N/A	025-34089-000	025-34085-000

XX*	Multi Point supply TB
MB*	Multi Point supply CBs
MD*	Multi Point supply NFDSs
SB*	Single Point TB supply w/ Separate System CBs
DB*	Single Point NFDS supply w/ Separate System CBs

^S = Recommended Spare Part

***Service Note:**

Locate the PANEL NUMBER sticker on the upper right hand corner of the power panel, then refer to the appropriate parts list for that number. Or, identify PIN number positions 16 and 17 on unit identification plate (See example on Page 4) then compare to table at right for power configuration options.

Option & Power Panel

OPTIONS AND POWER PANEL COMPONENTS (CONT'D)

TABLE 13 – WYE DELTA POWER PANEL COMPONENTS - MODEL YCAS0198-46
(SEE FIGS. 9-13, PAGES 30-36)

Item	Qty	Description	YCAS0198-46				
			371-04115-168* XX*	371-04115-274* MB*	371-04115-374* MD*	371-04115-474* SB*	371-04115-574* DB*
1A	2	Compressor Contactor (System 1)	024-31891-000	024-31891-000	024-31891-000	024-31891-000	024-31891-000
	2	Compressor Contactor (System 2)	024-31109-000	024-31109-000	024-31109-000	024-31109-000	024-31109-000
1B	1	Compressor Contactor (System 1)	024-31109-000	024-31109-000	024-31109-000	024-31109-000	024-31109-000
	1	Compressor Contactor (System 2)	024-31106-000	024-31106-000	024-31106-000	024-31106-000	024-31106-000
1C	2	Surge Suppressor	031-02203-000	031-02203-000	031-02203-000	031-02203-000	031-02203-000
1D	1	Mechanical Interlock (System 1)	024-34263-000	024-34263-000	024-34263-000	024-34263-000	024-34263-000
	1	Mechanical Interlock (System 2)	024-31601-000	024-31601-000	024-31601-000	024-31601-000	024-31601-000
1G ^S	2	Motor Protector	024-30907-000	024-30907-000	024-30907-000	024-30907-000	024-30907-000
1I	2	Ground Lug	025-34089-000	025-34089-000	025-34089-000	025-34089-000	025-34089-000
3A	3	Terminal Block (System 1)	025-38364-000	N/A	N/A	N/A	N/A
	3	Terminal Block (System 2)	025-38364-000	N/A	N/A	N/A	N/A
	1	Circuit Breaker (System 1)	N/A	025-34424-000	N/A	025-34424-000	025-34424-000
	1	Circuit Breaker (System 2)	N/A	024-31819-000	N/A	024-31819-000	024-31819-000
	1	NF Disconnect Switch (System 1)	N/A	N/A	024-30963-000	N/A	N/A
	1	NF Disconnect Switch (System 2)	N/A	N/A	024-30963-000	N/A	N/A
3B	2	MP Handle (CB & NFDS)	N/A	025-35697-000	025-35697-000	025-35697-000	025-35697-000
	2	MP Shaft (CB & NFDS)	N/A	025-35696-000	025-35696-000	025-35696-000	025-35696-000
3C	2	Auxiliary Switch	N/A	024-31646-000	024-31646-000	024-31646-000	024-31646-000
3J	1	MP Ground Lug (System 1)	025-34089-000	025-34085-000	025-34089-000	025-34085-000	025-34085-000
	1	MP Ground Lug (System 2)		025-34088-000		025-34088-000	025-34088-000
4A	6	Single Point TB	N/A	N/A	N/A	025-38364-000	N/A
	1	Single Point CB	N/A	N/A	N/A	N/A	N/A
	1	Single Point NFDS	N/A	N/A	N/A	N/A	024-30964-000
4B	1	SP Handle (CB & NFDS)	N/A	N/A	N/A	N/A	025-35697-000
	1	SP Shaft (CB & NFDS)	N/A	N/A	N/A	N/A	025-35696-000
4C	1	SP Ground Lug	N/A	N/A	N/A	025-34089-000	025-34089-000

XX*	Multi Point supply TB
MB*	Multi Point supply CBs
MD*	Multi Point supply NFDSs
SB*	Single Point TB supply w/ Separate System CBs
DB*	Single Point NFDS supply w/ Separate System CBs

^S = Recommended Spare Part

***Service Note:**

Locate the PANEL NUMBER sticker on the upper right hand corner of the power panel, then refer to the appropriate parts list for that number. Or, identify PIN number positions 16 and 17 on unit identification plate (See example on Page 4) then compare to table at right for power configuration options.

OPTIONS AND POWER PANEL COMPONENTS (CONT'D)

TABLE 13 – WYE DELTA POWER PANEL COMPONENTS - MODEL YCAS0198-58
(SEE FIGS. 9-13, PAGES 30-36)

Item	Qty	Description	YCAS0198-58				
			371-04115-163* XX*	371-04115-263* MB*	371-04115-363* MD*	371-04115-463* SB*	371-04115-563* DB*
1A	2	Compressor Contactor (System 1)	024-31110-000	024-31109-000	024-31109-000	024-31109-000	024-31109-000
	2	Compressor Contactor (System 2)	024-31109-000	024-31640-000	024-31109-000	024-31109-000	024-31109-000
1B	1	Compressor Contactor (System 1)	024-31107-000	024-31106-000	024-31106-000	024-31106-000	024-31106-000
	1	Compressor Contactor (System 2)	024-31106-000	024-31106-000	024-31106-000	024-31106-000	024-31106-000
1C	2	Surge Suppressor	031-02203-000	031-02203-000	031-02203-000	031-02203-000	031-02203-000
1D	2	Mechanical Interlock	024-31601-000	024-31601-000	024-31601-000	024-31601-000	024-31601-000
1G^S	2	Motor Protector	024-30907-000	024-30907-000	024-30907-000	024-30907-000	024-30907-000
1I	2	Ground Lug	025-34089-000	025-34089-000	025-34089-000	025-34089-000	025-34089-000
3A	3	Terminal Block (System 1)	025-38364-000	N/A	N/A	N/A	N/A
	3	Terminal Block (System 2)	025-38363-000	N/A	N/A	N/A	N/A
	1	Circuit Breaker (System 1)	N/A	025-34419-000	N/A	025-34419-000	025-34419-000
	1	Circuit Breaker (System 2)	N/A	025-34419-000	N/A	025-34419-000	025-34419-000
	1	NF Disconnect Switch (System 1)	N/A	N/A	024-31888-000	N/A	N/A
	1	NF Disconnect Switch (System 2)	N/A	N/A	024-31888-000	N/A	N/A
3B	2	MP Handle (CB & NFDS)	N/A	025-35697-000	025-35697-000	025-35697-000	025-35697-000
	2	MP Shaft (CB & NFDS)	N/A	025-35696-000	025-35696-000	025-35696-000	025-35696-000
3C	2	Auxiliary Switch	N/A	024-31646-000	024-31646-000	024-31646-000	024-31646-000
3J	1	MP Ground Lug (System 1)	025-34089-000	025-34089-000	025-34088-000	025-34089-000	025-34089-000
	1	MP Ground Lug (System 2)	025-34088-000				
4A	6	Single Point TB	N/A	N/A	N/A	025-38370-000	N/A
	1	Single Point CB	N/A	N/A	N/A	N/A	N/A
	1	Single Point NFDS	N/A	N/A	N/A	N/A	024-30964-000
4B	1	SP Handle (CB & NFDS)	N/A	N/A	N/A	N/A	025-35697-000
	1	SP Shaft (CB & NFDS)	N/A	N/A	N/A	N/A	025-35696-000
4C	1	SP Ground Lug	N/A	N/A	N/A	025-34085-000	025-34089-000

XX*	Multi Point supply TB
MB*	Multi Point supply CBs
MD*	Multi Point supply NFDSs
SB*	Single Point TB supply w/ Separate System CBs
DB*	Single Point NFDS supply w/ Separate System CBs

^S = Recommended Spare Part

***Service Note:**

Locate the **PANEL NUMBER** sticker on the upper right hand corner of the power panel, then refer to the appropriate parts list for that number. Or, identify PIN number positions 16 and 17 on unit identification plate (See example on Page 4) then compare to table at right for power configuration options.

OPTIONS AND POWER PANEL COMPONENTS (CONT'D)

TABLE 13 – WYE DELTA POWER PANEL COMPONENTS - MODEL YCAS0208-17
(SEE FIGS. 9-13, PAGES 30-36)

Item	Qty	Description	YCAS0208-17				
			371-04115-167* XX*	371-04115-267* MB*	371-04115-367* MD*	371-04115-467* SB*	N/A DB*
1A	2	Compressor Contactor (System 1)	024-31894-000	024-31894-000	024-31894-000	024-31894-000	N/A
	2	Compressor Contactor (System 2)	024-31894-000	024-31894-000	024-31894-000	024-31894-000	N/A
1B	1	Compressor Contactor (System 1)	024-31891-000	024-31891-000	024-31891-000	024-31891-000	N/A
	1	Compressor Contactor (System 2)	024-31891-000	024-31891-000	024-31891-000	024-31891-000	N/A
1C	2	Surge Suppressor	031-02203-000	031-02203-000	031-02203-000	031-02203-000	N/A
1D	2	Mechanical Interlock	024-34263-000	024-34263-000	024-34263-000	024-34263-000	N/A
1G ^S	2	Motor Protector	024-30907-000	024-30907-000	024-30907-000	024-30907-000	N/A
1I	2	Ground Lug	025-34089-000	025-34089-000	025-34089-000	025-34089-000	N/A
3A	3	Terminal Block (System 1)	025-38370-000	N/A	N/A	N/A	N/A
	3	Terminal Block (System 2)	025-38370-000	N/A	N/A	N/A	N/A
	1	Circuit Breaker (System 1)	N/A	025-34473-000	N/A	025-34473-000	N/A
	1	Circuit Breaker (System 2)	N/A	025-34473-000	N/A	025-34473-000	N/A
	1	NF Disconnect Switch (System 1)	N/A	N/A	024-30965-000	N/A	N/A
	1	NF Disconnect Switch (System 2)	N/A	N/A	024-30965-000	N/A	N/A
3B	2	MP Handle (CB & NFDS)	N/A	025-35697-000	025-35697-000	025-35697-000	N/A
	2	MP Shaft (CB & NFDS)	N/A	025-35696-000	025-35696-000	025-35696-000	N/A
3C	2	Auxiliary Switch	N/A	024-31648-000	024-31648-000	024-31648-000	N/A
3J	2	MP Ground Lug	025-34085-000	025-34085-000	025-34085-000	025-34085-000	N/A
4A	9	Single Point TB	N/A	N/A	N/A	025-38370-000	N/A
	1	Single Point CB	N/A	N/A	N/A	N/A	N/A
	1	Single Point NFDS	N/A	N/A	N/A	N/A	N/A
4B	1	SP Handle (CB & NFDS)	N/A	N/A	N/A	N/A	N/A
	1	SP Shaft (CB & NFDS)	N/A	N/A	N/A	N/A	N/A
4C	1	SP Ground Lug	N/A	N/A	N/A	025-34085-000	N/A

XX*	Multi Point supply TB
MB*	Multi Point supply CBs
MD*	Multi Point supply NFDSs
SB*	Single Point TB supply w/ Separate System CBs
DB*	Single Point NFDS supply w/ Separate System CBs

^S = Recommended Spare Part

***Service Note:**

Locate the PANEL NUMBER sticker on the upper right hand corner of the power panel, then refer to the appropriate parts list for that number. Or, identify PIN number positions 16 and 17 on unit identification plate (See example on Page 4) then compare to table at right for power configuration options.

OPTIONS AND POWER PANEL COMPONENTS (CONT'D)

TABLE 13 – WYE DELTA POWER PANEL COMPONENTS - MODEL YCAS0208-28
(SEE FIGS. 9-13, PAGES 30-36)

Item	Qty	Description	YCAS0208-28				
			371-04115-166* XX*	371-04115-268* MB*	371-04115-366* MD*	371-04115-487* SB*	N/A DB*
1A	2	Compressor Contactor (System 1)	024-31893-000	024-31893-000	024-31893-000	024-31893-000	N/A
	2	Compressor Contactor (System 2)	024-31893-000	024-31893-000	024-31893-000	024-31893-000	N/A
1B	1	Compressor Contactor (System 1)	024-31891-000	024-31891-000	024-31891-000	024-31891-000	N/A
	1	Compressor Contactor (System 2)	024-31891-000	024-31891-000	024-31891-000	024-31891-000	N/A
1C	2	Surge Suppressor	031-02203-000	031-02203-000	031-02203-000	031-02203-000	N/A
1D	2	Mechanical Interlock	024-34263-000	024-34263-000	024-34263-000	024-34263-000	N/A
1G ^S	2	Motor Protector	024-30907-000	024-30907-000	024-30907-000	024-30907-000	N/A
1I	2	Ground Lug	025-34089-000	025-34089-000	025-34089-000	025-34089-000	N/A
3A	3	Terminal Block (System 1)	025-38364-000	N/A	N/A	N/A	N/A
	3	Terminal Block (System 2)	025-38364-000	N/A	N/A	N/A	N/A
	1	Circuit Breaker (System 1)	N/A	025-34425-000	N/A	025-34425-000	N/A
	1	Circuit Breaker (System 2)	N/A	025-34425-000	N/A	025-34425-000	N/A
	1	NF Disconnect Switch (System 1)	N/A	N/A	024-30965-000	N/A	N/A
	1	NF Disconnect Switch (System 2)	N/A	N/A	024-30965-000	N/A	N/A
3B	2	MP Handle (CB & NFDS)	N/A	025-35697-000	025-35697-000	025-35697-000	N/A
	2	MP Shaft (CB & NFDS)	N/A	025-35696-000	025-35696-000	025-35696-000	N/A
3C	2	Auxiliary Switch	N/A	024-31648-000	024-31648-000	024-31648-000	N/A
3J	2	MP Ground Lug	025-34089-000	025-34085-000	025-34085-000	025-34085-000	N/A
4A	6	Single Point TB	N/A	N/A	N/A	025-38370-000	N/A
	1	Single Point CB	N/A	N/A	N/A	N/A	N/A
	1	Single Point NFDS	N/A	N/A	N/A	N/A	N/A
4B	1	SP Handle (CB & NFDS)	N/A	N/A	N/A	N/A	N/A
	1	SP Shaft (CB & NFDS)	N/A	N/A	N/A	N/A	N/A
4C	1	SP Ground Lug	N/A	N/A	N/A	025-34085-000	N/A

XX*	Multi Point supply TB
MB*	Multi Point supply CBs
MD*	Multi Point supply NFDSs
SB*	Single Point TB supply w/ Separate System CBs
DB*	Single Point NFDS supply w/ Separate System CBs

^S = Recommended Spare Part

***Service Note:**

Locate the PANEL NUMBER sticker on the upper right hand corner of the power panel, then refer to the appropriate parts list for that number. Or, identify PIN number positions 16 and 17 on unit identification plate (See example on Page 4) then compare to table at right for power configuration options.

OPTIONS AND POWER PANEL COMPONENTS (CONT'D)

TABLE 13 – WYE DELTA POWER PANEL COMPONENTS - MODEL YCAS0208-40
(SEE FIGS. 9-13, PAGES 30-36)

Item	Qty	Description	YCAS0208-40				
			371-04115-170* XX*	371-04115-269* MB*	371-04115-370* MD*	371-04115-469* SB*	371-04115-569* DB*
1A	2	Compressor Contactor (System 1)	024-31891-000	024-31891-000	024-31891-000	024-31891-000	024-31891-000
	2	Compressor Contactor (System 2)	024-31891-000	024-31891-000	024-31891-000	024-31891-000	024-31891-000
1B	1	Compressor Contactor (System 1)	024-31109-000	024-31109-000	024-31109-000	024-31109-000	024-31109-000
	1	Compressor Contactor (System 2)	024-31109-000	024-31109-000	024-31109-000	024-31109-000	024-31109-000
1C	2	Surge Suppressor	031-02203-000	031-02203-000	031-02203-000	031-02203-000	031-02203-000
1D	2	Mechanical Interlock	024-34263-000	024-34263-000	024-34263-000	024-34263-000	024-34263-000
1G ^S	2	Motor Protector	024-30907-000	024-30907-000	024-30907-000	024-30907-000	024-30907-000
1I	2	Ground Lug	025-34089-000	025-34089-000	025-34089-000	025-34089-000	025-34089-000
3A	3	Terminal Block (System 1)	025-39370-000	N/A	N/A	N/A	N/A
	3	Terminal Block (System 2)	025-38370-000	N/A	N/A	N/A	N/A
	1	Circuit Breaker (System 1)	N/A	025-34424-000	N/A	025-34424-000	025-34424-000
	1	Circuit Breaker (System 2)	N/A	025-34424-000	N/A	025-34424-000	025-34424-000
	1	NF Disconnect Switch (System 1)	N/A	N/A	024-30964-000	N/A	N/A
	1	NF Disconnect Switch (System 2)	N/A	N/A	024-30964-000	N/A	N/A
3B	2	MP Handle (CB & NFDS)	N/A	025-35697-000	025-35697-000	025-35697-000	025-35697-000
	2	MP Shaft (CB & NFDS)	N/A	025-35696-000	025-35696-000	025-35696-000	025-35696-000
3C	2	Auxiliary Switch	N/A	024-31646-000	024-31646-000	024-31646-000	024-31646-000
3J	2	MP Ground Lug	025-34085-000	025-34085-000	025-34085-000	025-34085-000	025-34085-000
4A	6	Single Point TB	N/A	N/A	N/A	025-38364-000	N/A
	1	Single Point CB	N/A	N/A	N/A	N/A	N/A
	1	Single Point NFDS	N/A	N/A	N/A	N/A	024-30965-000
4B	1	SP Handle (CB & NFDS)	N/A	N/A	N/A	N/A	025-35697-000
	1	SP Shaft (CB & NFDS)	N/A	N/A	N/A	N/A	025-35696-000
4C	1	SP Ground Lug	N/A	N/A	N/A	025-34089-000	025-34085-000

XX*	Multi Point supply TB
MB*	Multi Point supply CBs
MD*	Multi Point supply NFDSs
SB*	Single Point TB supply w/ Separate System CBs
DB*	Single Point NFDS supply w/ Separate System CBs

^S = Recommended Spare Part

***Service Note:**

Locate the PANEL NUMBER sticker on the upper right hand corner of the power panel, then refer to the appropriate parts list for that number. Or, identify PIN number positions 16 and 17 on unit identification plate (See example on Page 4) then compare to table at right for power configuration options.

OPTIONS AND POWER PANEL COMPONENTS (CONT'D)

TABLE 13 – WYE DELTA POWER PANEL COMPONENTS - MODEL YCAS0208-46
(SEE FIGS. 9-13, PAGES 30-36)

Item	Qty	Description	YCAS0208-46				
			371-04115-169* XX*	371-04115-269* MB*	371-04115-369* MD*	371-04115-469* SB*	371-04115-569* DB*
1A	2	Compressor Contactor (System 1)	024-31891-000	024-31891-000	024-31891-000	024-31891-000	024-31891-000
	2	Compressor Contactor (System 2)	024-31891-000	024-31891-000	024-31891-000	024-31891-000	024-31891-000
1B	1	Compressor Contactor (System 1)	024-31109-000	024-31109-000	024-31109-000	024-31109-000	024-31109-000
	1	Compressor Contactor (System 2)	024-31109-000	024-31109-000	024-31109-000	024-31109-000	024-31109-000
1C	2	Surge Suppressor	031-02203-000	031-02203-000	031-02203-000	031-02203-000	031-02203-000
1D	2	Mechanical Interlock	024-34263-000	024-34263-000	024-34263-000	024-34263-000	024-34263-000
1G ^S	2	Motor Protector	024-30907-000	024-30907-000	024-30907-000	024-30907-000	024-30907-000
1I	2	Ground Lug	025-34089-000	025-34089-000	025-34089-000	025-34089-000	025-34089-000
3A	3	Terminal Block (System 1)	025-38364-000	N/A	N/A	N/A	N/A
	3	Terminal Block (System 2)	025-38364-000	N/A	N/A	N/A	N/A
	1	Circuit Breaker (System 1)	N/A	025-34424-000	N/A	025-34424-000	025-34424-000
	1	Circuit Breaker (System 2)	N/A	025-34424-000	N/A	025-34424-000	025-34424-000
	1	NF Disconnect Switch (System 1)	N/A	N/A	024-30963-000	N/A	N/A
	1	NF Disconnect Switch (System 2)	N/A	N/A	024-30963-000	N/A	N/A
3B	2	MP Handle (CB & NFDS)	N/A	025-35697-000	025-35697-000	025-35697-000	025-35697-000
	2	MP Shaft (CB & NFDS)	N/A	025-35696-000	025-35696-000	025-35696-000	025-35696-000
3C	2	Auxiliary Switch	N/A	024-31646-000	024-31646-000	024-31646-000	024-31646-000
3J	2	MP Ground Lug	025-34089-000	025-34085-000	025-34089-000	025-34085-000	025-34085-000
4A	6	Single Point TB	N/A	N/A	N/A	025-38364-000	N/A
	1	Single Point CB	N/A	N/A	N/A	N/A	N/A
	1	Single Point NFDS	N/A	N/A	N/A	N/A	024-30965-000
4B	1	SP Handle (CB & NFDS)	N/A	N/A	N/A	N/A	025-35697-000
	1	SP Shaft (CB & NFDS)	N/A	N/A	N/A	N/A	025-35696-000
4C	1	SP Ground Lug	N/A	N/A	N/A	025-34089-000	025-34085-000

XX*	Multi Point supply TB
MB*	Multi Point supply CBs
MD*	Multi Point supply NFDSs
SB*	Single Point TB supply w/ Separate System CBs
DB*	Single Point NFDS supply w/ Separate System CBs

^S = Recommended Spare Part

***Service Note:**

Locate the PANEL NUMBER sticker on the upper right hand corner of the power panel, then refer to the appropriate parts list for that number. Or, identify PIN number positions 16 and 17 on unit identification plate (See example on Page 4) then compare to table at right for power configuration options.

OPTIONS AND POWER PANEL COMPONENTS (CONT'D)

TABLE 13 – WYE DELTA POWER PANEL COMPONENTS - MODEL YCAS0208-58
(SEE FIGS. 9-13, PAGES 30-36)

Item	Qty	Description	YCAS0208-58				
			371-04115-157* XX*	371-04115-259* MB*	371-04115-358* MD*	371-04115-460* SB*	371-04115-560* DB*
1A	2	Compressor Contactor (System 1)	024-31109-000	024-31109-000	024-31109-000	024-31109-000	024-31109-000
	2	Compressor Contactor (System 2)	024-31109-000	024-31109-000	024-31109-000	024-31109-000	024-31109-000
1B	1	Compressor Contactor (System 1)	024-31106-000	024-31106-000	024-31106-000	024-31106-000	024-31106-000
	1	Compressor Contactor (System 2)	024-31106-000	024-31106-000	024-31106-000	024-31106-000	024-31106-000
1C	6	Surge Suppressor	031-02203-000	031-02203-000	031-02203-000	031-02203-000	031-02203-000
1D	2	Mechanical Interlock	024-31601-000	024-31601-000	024-31601-000	024-31601-000	024-31601-000
1G^S	2	Motor Protector	024-30907-000	024-30907-000	024-30907-000	024-30907-000	024-30907-000
1I	2	Ground Lug	025-34089-000	025-34089-000	025-34089-000	025-34089-000	025-34089-000
3A	3	Terminal Block (System 1)	025-38364-000	N/A	N/A	N/A	N/A
	3	Terminal Block (System 2)	025-38364-000	N/A	N/A	N/A	N/A
	1	Circuit Breaker (System 1)	N/A	025-34419-000	N/A	025-34419-000	025-34419-000
	1	Circuit Breaker (System 2)	N/A	025-34419-000	N/A	025-34419-000	025-34419-000
	1	NF Disconnect Switch (System 1)	N/A	N/A	024-30963-000	N/A	N/A
	1	NF Disconnect Switch (System 2)	N/A	N/A	024-30963-000	N/A	N/A
3B	2	MP Handle (CB & NFDS)	N/A	025-35697-000	025-35697-000	025-35697-000	025-35697-000
	2	MP Shaft (CB & NFDS)	N/A	025-35696-000	025-35696-000	025-35696-000	025-35696-000
3C	2	Auxiliary Switch	N/A	024-31646-000	024-31646-000	024-31646-000	024-31646-000
3J	2	MP Ground Lug	025-34089-000	025-34089-000	025-34089-000	025-34089-000	025-34089-000
4A	6	Single Point TB	N/A	N/A	N/A	025-38370-000	N/A
	1	Single Point CB	N/A	N/A	N/A	N/A	N/A
	1	Single Point NFDS	N/A	N/A	N/A	N/A	024-30964-000
4B	1	SP Handle (CB & NFDS)	N/A	N/A	N/A	N/A	025-35697-000
	1	SP Shaft (CB & NFDS)	N/A	N/A	N/A	N/A	025-35696-000
4C	1	SP Ground Lug	N/A	N/A	N/A	025-34085-000	025-34089-000

XX*	Multi Point supply TB
MB*	Multi Point supply CBs
MD*	Multi Point supply NFDSs
SB*	Single Point TB supply w/ Separate System CBs
DB*	Single Point NFDS supply w/ Separate System CBs

S = Recommended Spare Part

***Service Note:**

Locate the PANEL NUMBER sticker on the upper right hand corner of the power panel, then refer to the appropriate parts list for that number. Or, identify PIN number positions 16 and 17 on unit identification plate (See example on Page 4) then compare to table at right for power configuration options.

This page intentionally left blank

FAN CONTACTOR COMPONENTS

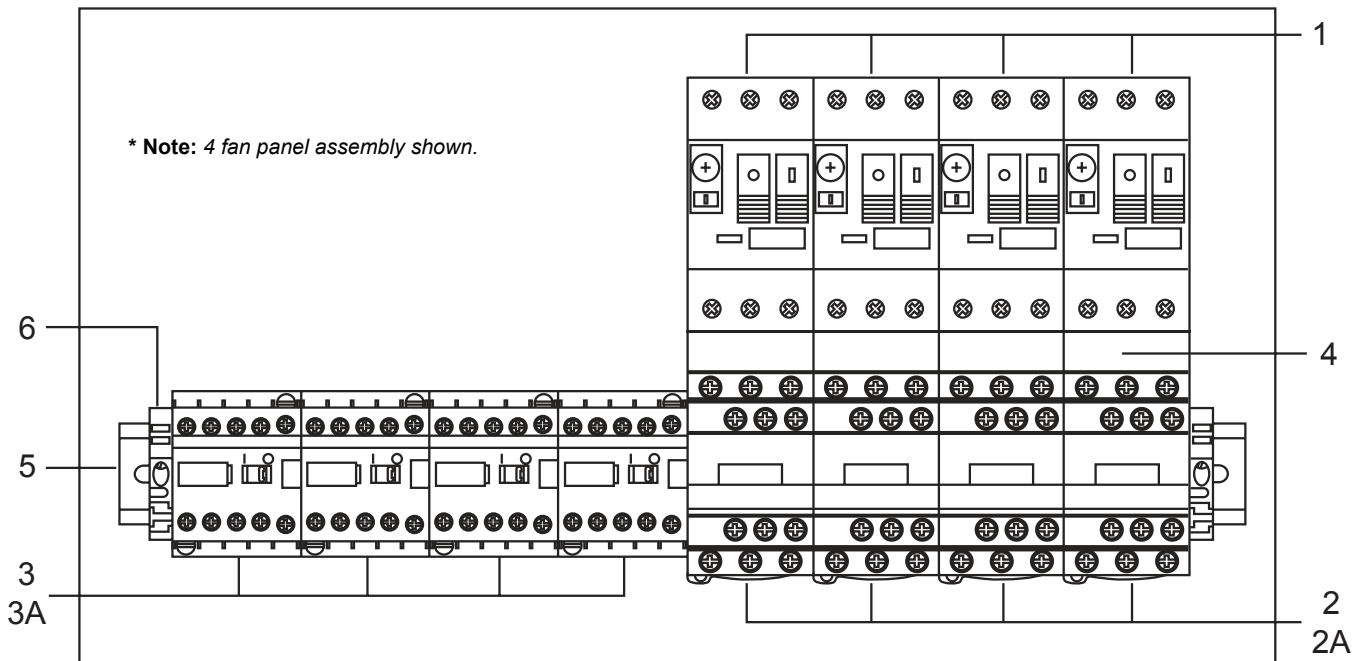


FIG. 14 – FAN CONTACTOR COMPONENTS (REF. TABLE 14)

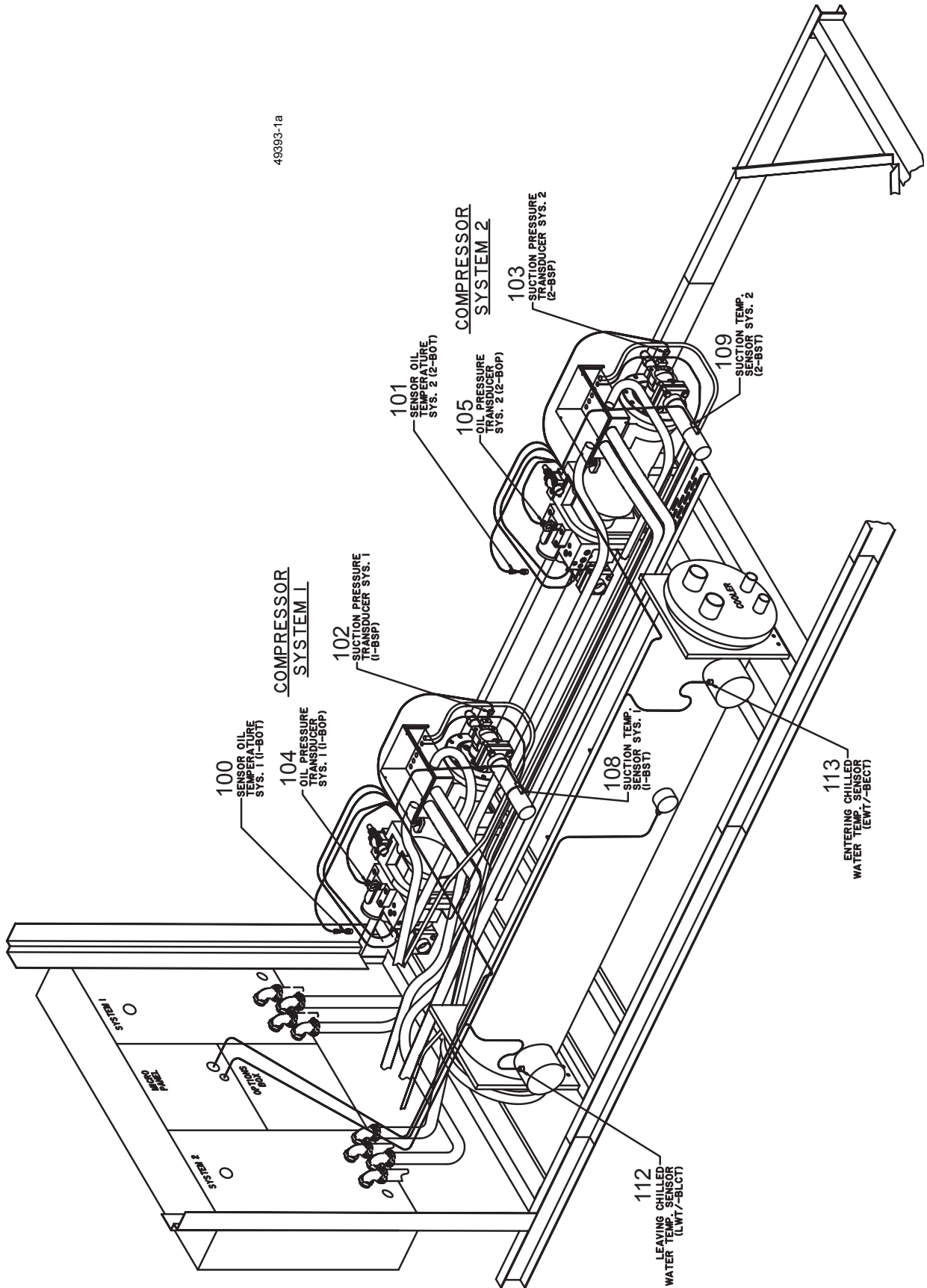
TABLE 14 – FAN CONTACTOR COMPONENTS (SEE FIG. 14)

Item #	Description	Qty*	Part Number
1 ^s	9 Amp OVERLOAD	4	024-33168-000
	12 Amp OVERLOAD		024-33169-000
	Amp OVERLOAD		024-33178-000
	18 Amp OVERLOAD		024-33180-000
2 ^s	FAN CONTACTOR 200V & 230V	4	024-34300-000
	FAN CONTACTOR 380V, 415V & 460V		024-34302-000
	FAN CONTACTOR 575V		024-34304-000
2A	SUPPRESSOR	4	031-02106-000
3	CONTROL RELAY	4	024-31635-000
3A	SUPPRESSOR	4	031-02107-000
4	MECHANICAL INTERLOCK	4	025-38361-000
5	DIN RAIL, SLOTTED	1	025-29167-000
6	END CLAMP	2	025-34439-000
7	TERMINAL BLOCK - TE-GV1G09	2	024-33189-000

* NOTE: 4 fan quantities are shown in this table. Adjust quantities for 3, 5 and 6 fan assemblies as needed.

^s Recommended Spare Part

SENSOR HARNESSES

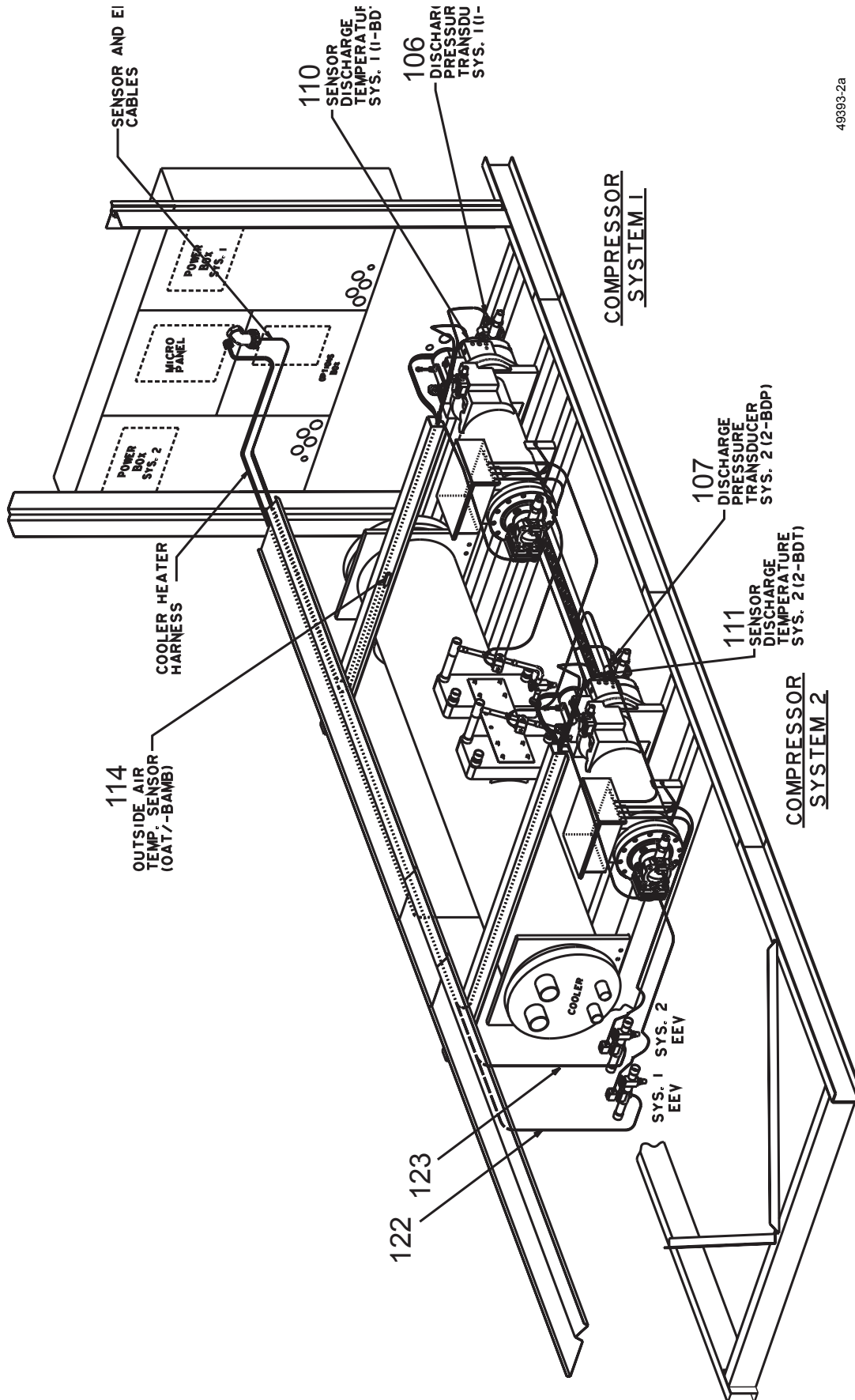


49393-1a

FIG. 15 – HARNESS LAYOUT (REF. TABLE 15, PAGES 117 AND 118)

Option & Power Panel

SENSOR HARNESES - CONT'D



49393-2a

FIG. 15A – HARNESS LAYOUT (REF. TABLE 15, PAGES 117 AND 118)

Option & Power Panel

SENSOR HARNESES - CONT'D

TABLE 15 – SENSOR HARNESS WIRING (SEE FIGS. 15 AND 15A, PAGES 115 AND 116)

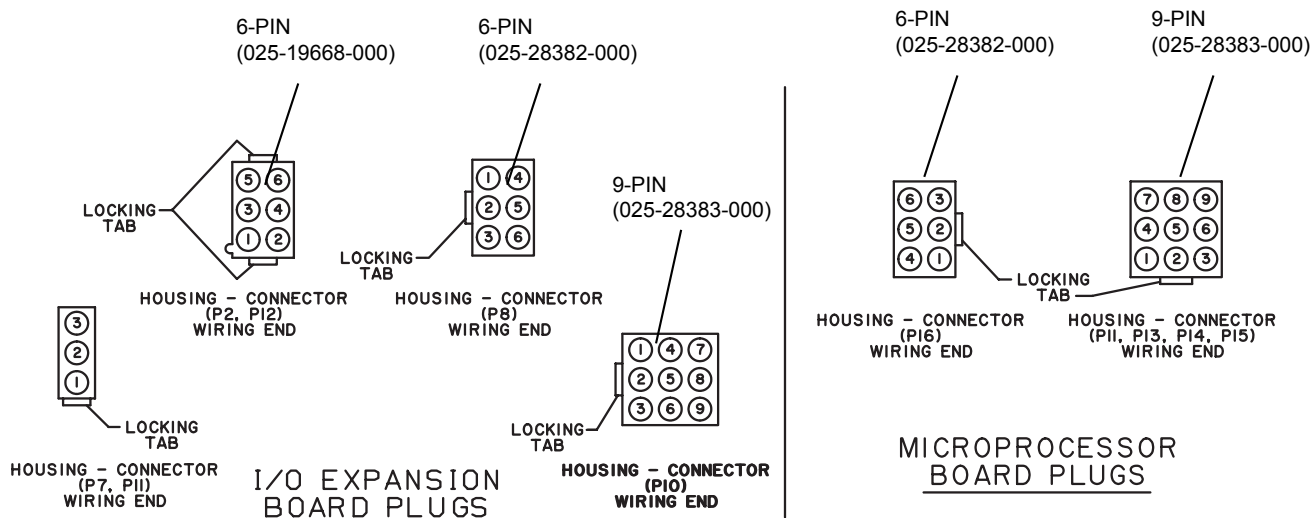
Board Location	Cable Item No.	Cable Length	Wire Color	Plug Pin No.	Function	Harness Assembly Part Number
MICRO P13	102	193"	Red	4	System #1 Suction Pressure	375-02253-231
			Black	1		
			White	7		
			Drain	2		
	104	142"	Red	5	System #1 Oil Pressure	375-02253-233
			Black	3		
			White	8		
			Drain	9		
MICRO P14	103	292"	Red	4	System #2 Suction Pressure	375-02253-232
			Black	1		
			White	7		
			Drain	2		
	105	237"	Red	5	System #2 Oil Pressure	375-02253-234
			Black	3		
			White	8		
			Drain	9		
MICRO P11	112	111"	Red	7	Leaving Chilled Water Temperature	375-02253-246
			Black	4		
			Drain	1		
	113	229"	Red	8	Entering Chilled Water Temperature	375-02253-247
			Black	5		
			Drain	2		
	114	229"	Red	9	Outside Air Temperature	375-02253-248
			Black	6		
			Drain	3		
MICRO P15	106	158"	Red	5	System #1 Discharge Pressure	375-02253-235
			Black	3		
			White	8		
			Drain	9		
	107	260"	Red	4	System #2 Discharge Pressure	375-02253-236
			Black	1		
			White	7		
			Drain	2		
MICRO P16	108	182"	Red	5	System #1 Suction Temperature	375-02253-241
			Black	6		
			Drain	1		
	109	280"	Red	2	System #2 Suction Temperature	375-02253-242
			Black	4		
			Drain	3		

SENSOR HARNESSSES - CONT'D

TABLE 15 (CONT'D) – SENSOR HARNESS WIRING (SEE FIGS. 15 AND 15A, PAGES 115 AND 116)

Board Location	Cable Item No.	Cable Length	Wire Color	Plug Pin No.	Function	Harness Assembly Part Number
I/O P10	100	166"	Red	4	System #1 Oil Temperature	375-02253-221
			Black	7		
			Drain	3		
	101	256"	Red	5	System #1 Oil Temperature	375-02253-222
			Black	6		
			Drain	2		
I/O P8	110	178"	Red	2	System #1 Discharge Temperature	375-02253-243
			Black	4		
			Drain	1		
	111	272"	Red	5	System #2 Discharge Temperature	375-02253-244
			Black	6		
			Drain	3		
I/O P2	117	166"	Red (47)	1	System #1 Slide Valve	375-02253-283
			Black (48)	2		
			Drain	6		
I/O P12	118	256"	Red (49)	1	System #2 Slide Valve	375-02253-284
			Black (50)	2		
			Drain	6		
I/O P11	115	168"	Red	1	System #1 Cooler Inlet Refrigerant Temperature Sensor	375-02253-285
			Black	2		
			Drain	3		
I/O P7	116	168"	Red	1	System #2 Cooler Inlet Refrigerant Temperature Sensor	375-02253-286
			Black	2		
			Drain	3		
EEV OUTPUT BOARD AND TRANSFORMER 5T & 6T	122	330	Black	5T	System #1 EEV Output	375-04134-101
			Red	TB 1-2		
	123	331	Black	6T	System #2 EEV Output	375-04134-102
			Red	TB 2-2		

Option & Power Panel



49393-4c

FIG. 16 – SENSOR HOUSING PART NUMBERS

TRANSDUCERS AND TEMP SENSORS

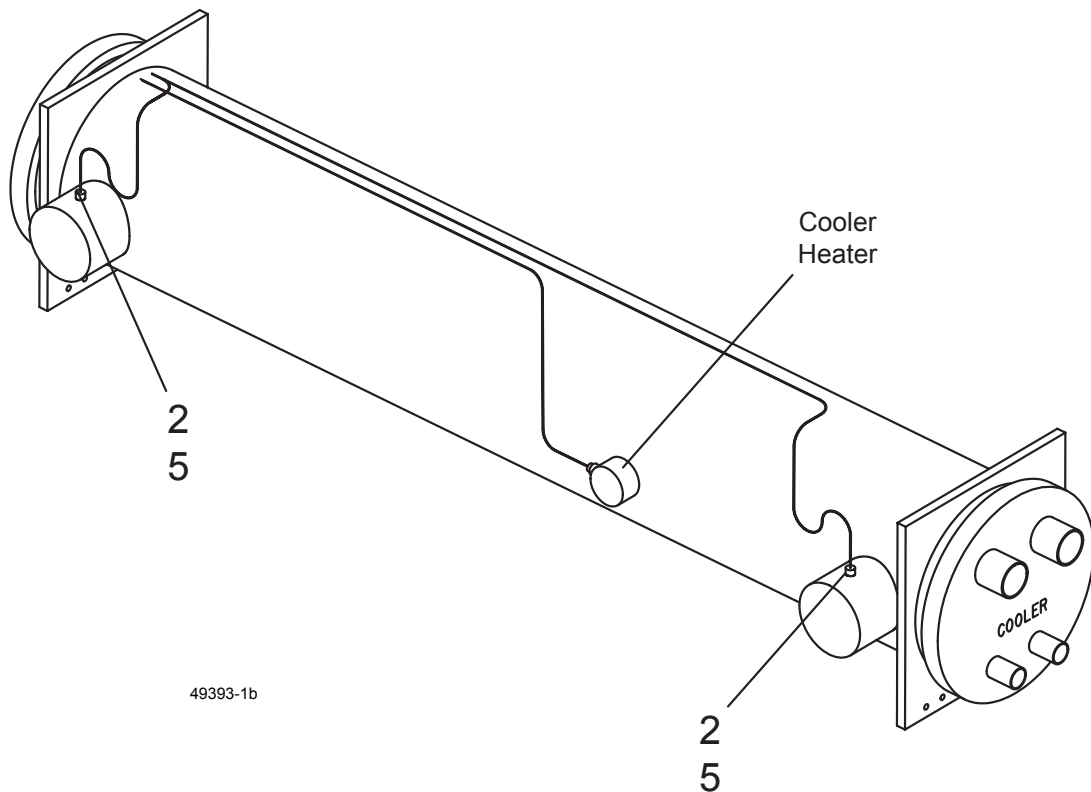
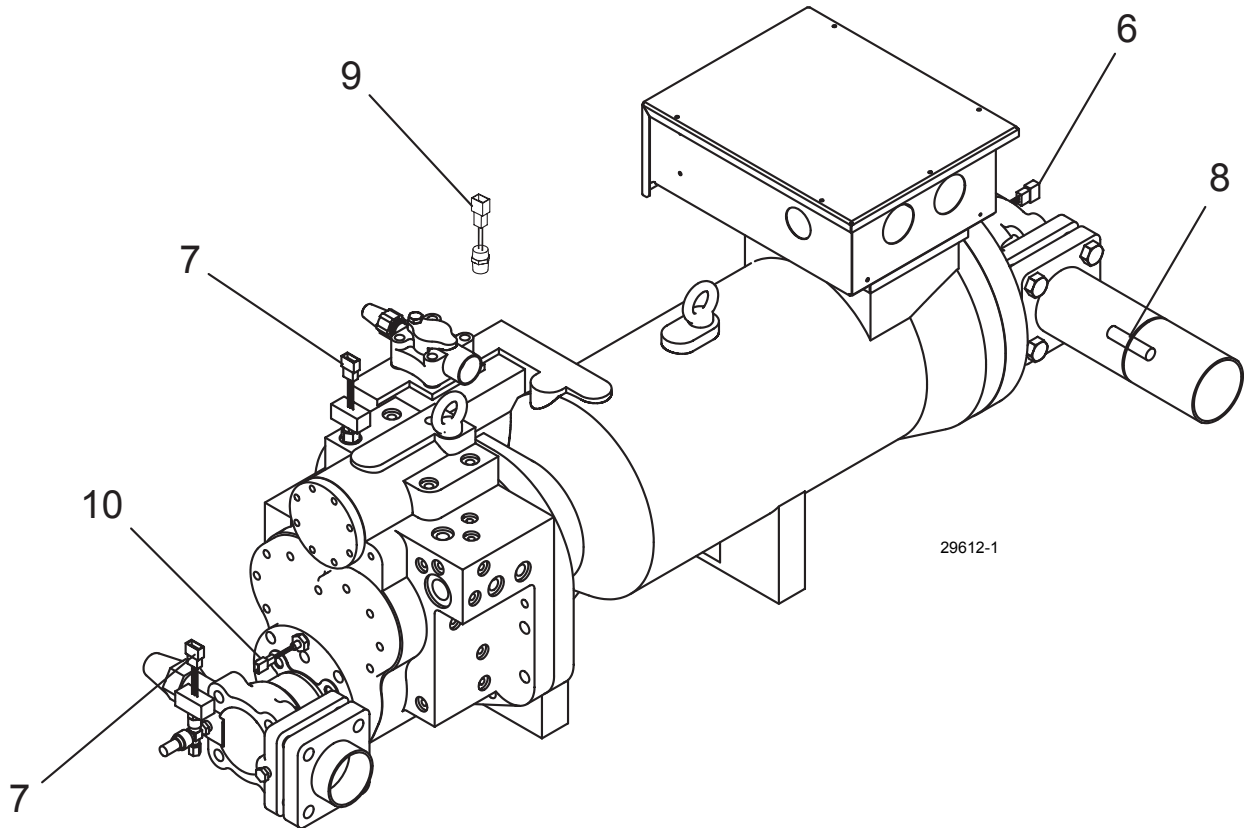


FIG. 17 – TRANSDUCERS AND TEMP SENSORS (REF. TABLE 16, PAGE 120)

TRANSDUCERS AND TEMP SENSORS (CONT'D)

TABLE 16 – TRANSDUCERS AND TEMP SENSORS (SEE FIG. 17, PAGE 119)

Item #	Quantity	Description	Volt-age Code	Part Number
1^S	1	Sensor, Outside Air Temperature (Not Shown)	All	025-28663-001
2	2	Sensor, Water Temp. (EWT, LWT)	All	025-29964-000
5	-	Compound, Heat Conductive	All	013-00898-000
6^S	1 per system	Transducer, Suction Pressure (0-200psi)	All	025-29583-000
7^S	2 per system	Transducer, Discharge Pressure (0-400psi)	All	025-29139-001
8	1 per system	Sensor, EEV Suction Temperature	All	025-28935-000
9	1 per system	Oil Temperature Sensor	All	025-30440-000
10	1 per system	Discharge Temperature Sensor	All	025-32924-000

^S Recommended Spare Part

TRANSDUCER AND THERMISTOR WIRE HARNESS CONNECTORS - FIELD REPLACEMENT PART NUMBERS

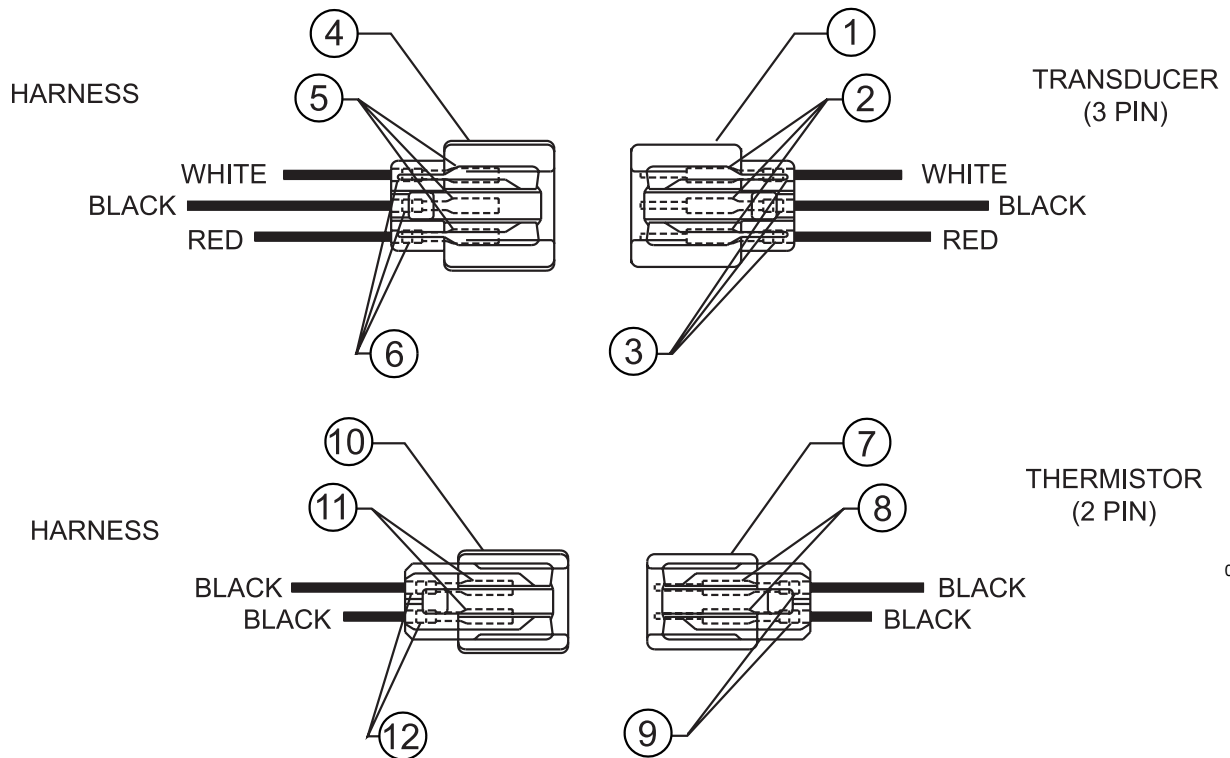


FIG. 18 – TRANSDUCER AND THERMISTOR WIRE HARNESS CONNECTORS - FIELD REPLACEMENT PART NUMBERS (REF. TABLE 17)

TABLE 17 – TRANSDUCER AND THERMISTOR WIRE HARNESS CONNECTORS - FIELD REPLACEMENT PART NUMBERS (SEE FIG. 18)

Item No.	Location	Description	Pins	Part Number
1	Transducer	Plug Connector	3 Pin End	025-28953-000
2		Contact Pins		025-28949-000
3		Rubber Collar		025-28950-000
4	Wire Harness	Plug Connector	3 Pin End	025-28954-000
5		Contact Pins		025-28952-000
6		Rubber Collar		025-28950-000
7	Transducer	Plug Connector	2 Pin End	025-28948-000
8		Contact Pins		025-28949-000
9		Rubber Collar		025-28950-000
10	Wire Harness	Plug Connector	2 Pin End	025-28951-000
11		Contact Pins		025-28952-000
12		Rubber Collar		025-28950-000

^s Recommended Spare Part

YCAS CHILLER OPTIONS – KITS

TABLE 18 – FIELD INSTALLED OPTIONS PART NUMBERS

MODEL NUMBER YCAS	VIBRATION ISOLATORS SPRING 1" DEFLEC. ALUMINUM* & BLACK FIN	VIBRATION ISOLATORS SPRING 2" (SEISMIC) ALUMINUM* & BLACK FIN	VIBRATION ISOLATOR PAD 1/2" DEFLEC. NEOPRENE	VIBRATION ISOLATORS SPRING 1" DEFLEC. COPPER*	VIBRATION ISOLATORS SPRING 2" (SEISMIC) COPPER*	VIBRATION ISOLATOR PAD 1/2" DEFLEC. NEOPRENE	BAS/EMS CURRENT RESET / OFFSET	BAS/EMS TEMPERATURE RESET / OFFSET
MODEL #	029-23707	029-23705	029-23706	029-23707	029-23705	029-23706	371-02590	371-02590
0098	-120	-202	-009	-150	-216	-055	-101	-102
0118	-120	-202	-009	-150	-216	-055	-101	-102
0128	-121	-228	-004	-124	-265	-005	-101	-102
0138	-239	-229	-004	-124	-266	-005	-101	-102
0148	-112	-231	-019	-124	-326	-005	-101	-102
0158	-112	-231	-019	-124	-326	-005	-101	-102
0178	-112	-231	-019	-124	-326	-005	-101	-102
0198	-124	-207	-019	-139	-447	-005	-101	-102
0208	-125	-207	-019	-139	-447	-005	-101	-102

* Note: Condenser Coil Fin Material.

MODEL NUMBER YCAS	STANDARD 150# FLOW SWITCH	OPTIONAL 300# FLOW SWITCH	CHICAGO RELIEF VALVE	WELD FLANGE KIT	VICTAULIC FLANGE KIT	COMPRESSOR BLANKET KIT
MODEL #	024-26116	024-12144	375-	366-	023-	310-
0098	-000	-000	31206-001	93921-000	19049-000	N/A
0118						
0128						
0138				93936-000	19046-000	06519-000
0148						
0158				93936-000	19046-000	06514-000
0178						06516-000
0198						
0208						

TABLE 18A – CONTROL TRANSFORMER KIT

MODEL NUMBERS	VOLTAGE	DESCRIPTION	PART NUMBER
YCAS0098-YCAS0208	-17	KIT, CONTROL TRANSFORMER	375-04121-101
	-28		375-04121-102
	-40		375-04121-103
	-46		375-04121-104
	-58		375-04121-105

ENCLOSURE KIT OPTIONS

TABLE 19 – ENCLOSURE KIT OPTIONS - TOP AND BOTTOM SECTIONS
(SEE FIGS. 19-22, PAGES 124-127)

MODEL NUMBER YCAS-	WIRE ENCLOSURE	LOUVERED ENCLOSURE	WIRE / LOUVERED ENCLOSURE	LOUVERED ENCLOSURE CONDENSER ONLY
0098 (Top)	375-29569-120	375-29571-120	375-29571-120	375-29571-120
0098 (Bottom)	375-29569-121	375-29571-121	375-29569-121	N/A
0118 (Top)	375-29569-120	375-29571-120	375-29571-120	375-29571-120
0118 (Bottom)	375-29569-121	375-29571-121	375-29569-121	N/A
0128 (Top)	375-29569-160	375-29571-160	375-29571-160	375-29571-160
0128 (Bottom)	375-29569-161	375-29571-161	375-29569-161	N/A
0138 (Top)	375-29569-160	375-29571-160	375-29571-160	375-29571-160
0138 (Bottom)	375-29569-161	375-29571-161	375-29569-161	N/A
0148 (Top)	375-29569-160	375-29571-160	375-29571-160	375-29571-160
0148 (Bottom)	375-29569-161	375-29571-161	375-29569-161	N/A
0158 (Top)	375-29569-160	375-29571-160	375-29571-160	375-29571-160
0158 (Bottom)	375-29569-161	375-29571-161	375-29569-161	N/A
0178 (Top)	375-29569-160	375-29571-160	375-29571-160	375-29571-160
0178 (Bottom)	375-29569-161	375-29571-161	375-29569-161	N/A
0198 (Top)	375-29569-200	375-29571-200	375-29571-200	375-29571-200
0198 (Bottom)	375-29569-201	375-29571-201	375-29569-201	N/A
0208 (Top)	375-29569-200	375-29571-200	375-29571-200	375-29571-200
0208 (Bottom)	375-29569-201	375-29571-201	375-29569-201	N/A

ENCLOSURE KIT OPTIONS (CONT'D)

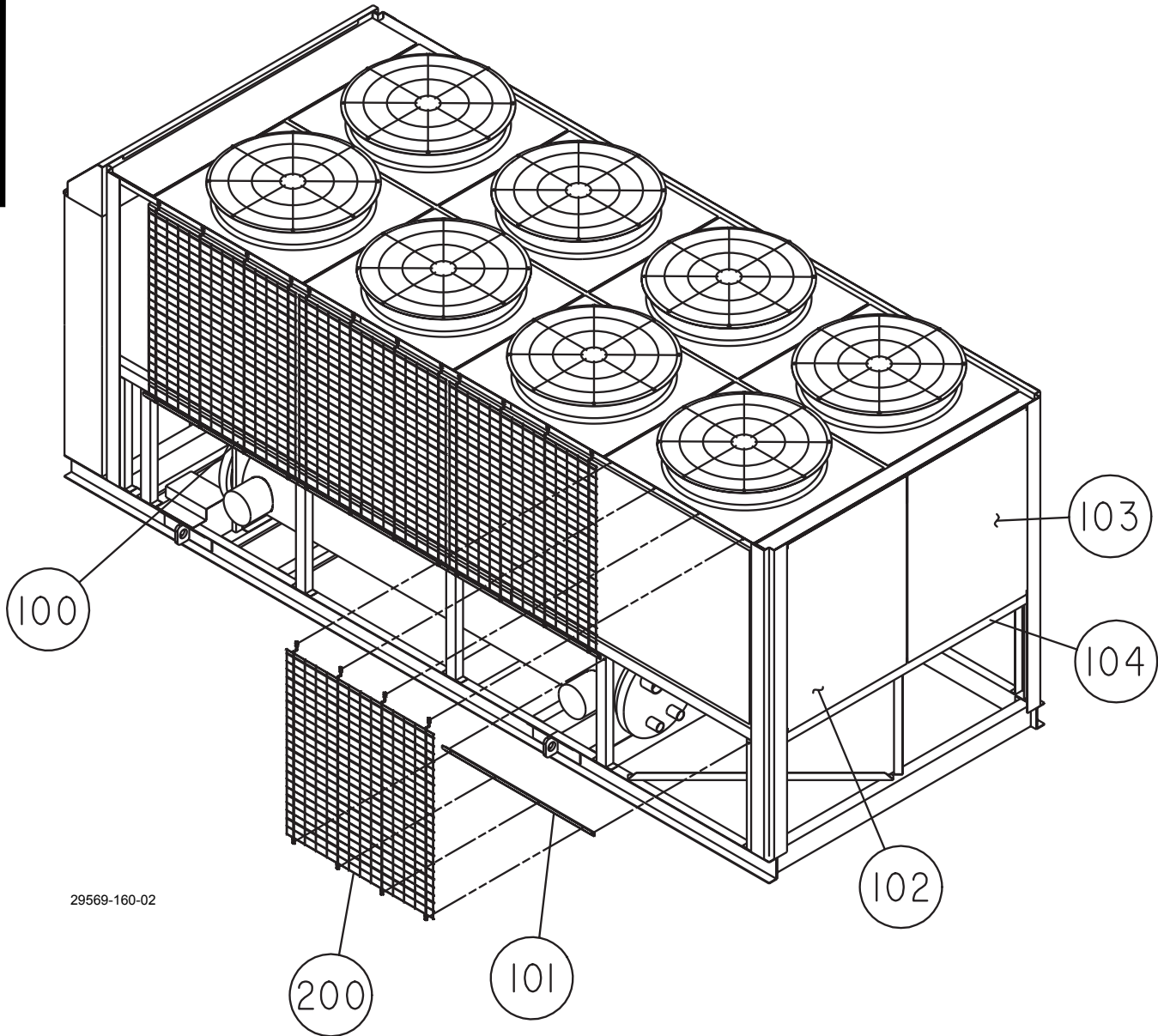
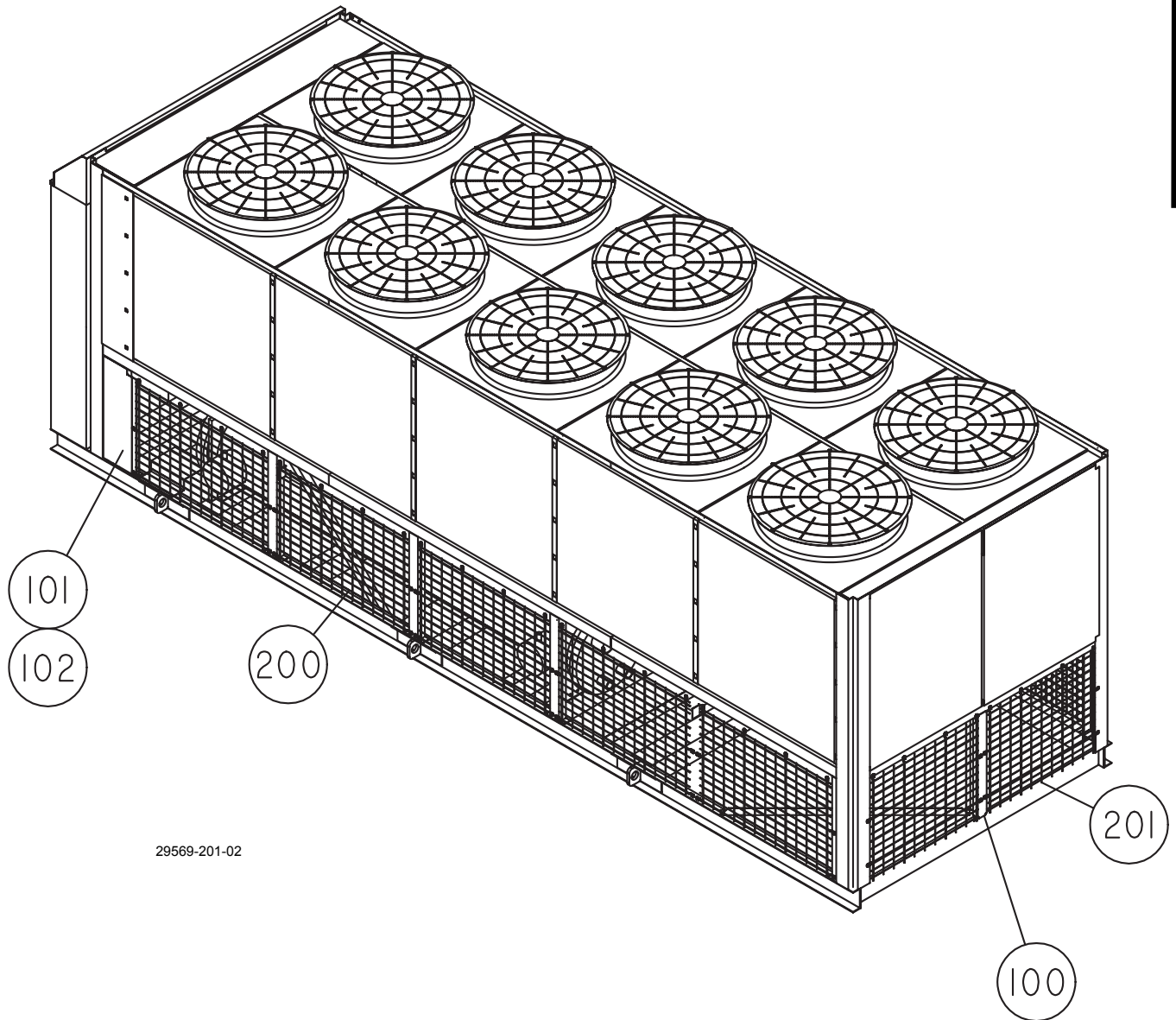


FIG. 19 – WIRE ENCLOSURE (TOP SECTIONS) - 375-29569-160 SHOWN (REF. TABLE 20)

TABLE 20 – WIRE ENCLOSURE (TOP SECTIONS) - (SEE FIG. 19)

WIRE ENCLOSURE TOP SECTIONS KIT COMPONENTS							
ITEM #	DESCRIPTION	375-29569-120	QTY	375-29569-160	QTY	375-29569-200	QTY
100	Z CHANNEL	075-29588-000	2	075-29588-000	2	075-29588-000	2
101	Z CHANNEL DXST	075-29589-000	4	075-29589-000	6	075-29589-000	8
102	REAR PANEL - LH	075-29532-000	1	075-29532-000	1	075-29532-000	1
103	REAR PANEL - RH	075-29533-000	1	075-29533-000	1	075-29533-000	1
104	SUPPORT RAIL	075-25535-000	1	075-25535-000	1	075-25535-000	1
200	WIRE GRILL CONDENSER	026-36533-000	6	026-36533-000	8	026-36533-000	10
300	HARDWARE KIT (NOT SHOWN)	321-29569-160	1	321-29569-160	1	321-29569-200	1

ENCLOSURE KIT OPTIONS (CONT'D)



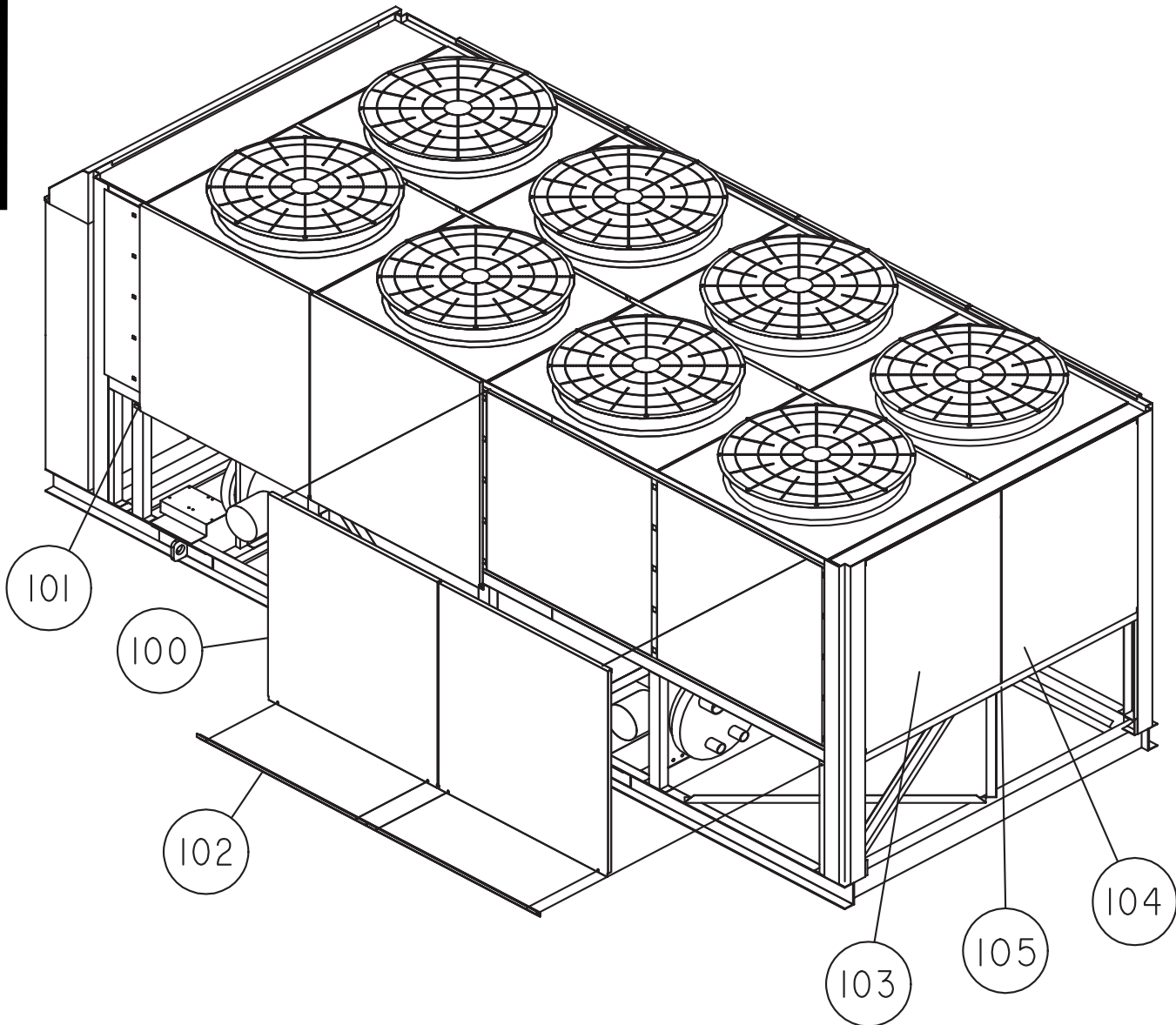
29569-201-02

FIG. 20 – WIRE ENCLOSURE (BOTTOM SECTIONS) - 375-29569-201 SHOWN (REF. TABLE 21)

TABLE 21 – WIRE ENCLOSURE (BOTTOM SECTIONS) - (SEE FIG. 20)

WIRE ENCLOSURE BOTTOM SECTIONS KIT COMPONENTS							
ITEM #	DESCRIPTION	375-29569-121	QTY	375-29569-161	QTY	375-29569-201	QTY
100	REAR SUPPORT	075-29590-000	1	075-29590-000	1	075-29590-000	1
101	VANITY PANEL - RH	075-29591-000	1	075-29591-000	1	075-29591-000	1
102	VANITY PANEL - LH	075-29592-000	1	075-29592-000	1	075-29592-000	1
200	WIRE GRILL	026-36534-000	6	026-36534-000	8	026-36534-000	10
201	WIRE GRILL - REAR	026-36535-000	2	026-36535-000	2	026-36535-000	2
300	HARDWARE KIT (NOT SHOWN)	321-29569-161	1	321-29569-161	1	321-29569-201	1

ENCLOSURE KIT OPTIONS (CONT'D)



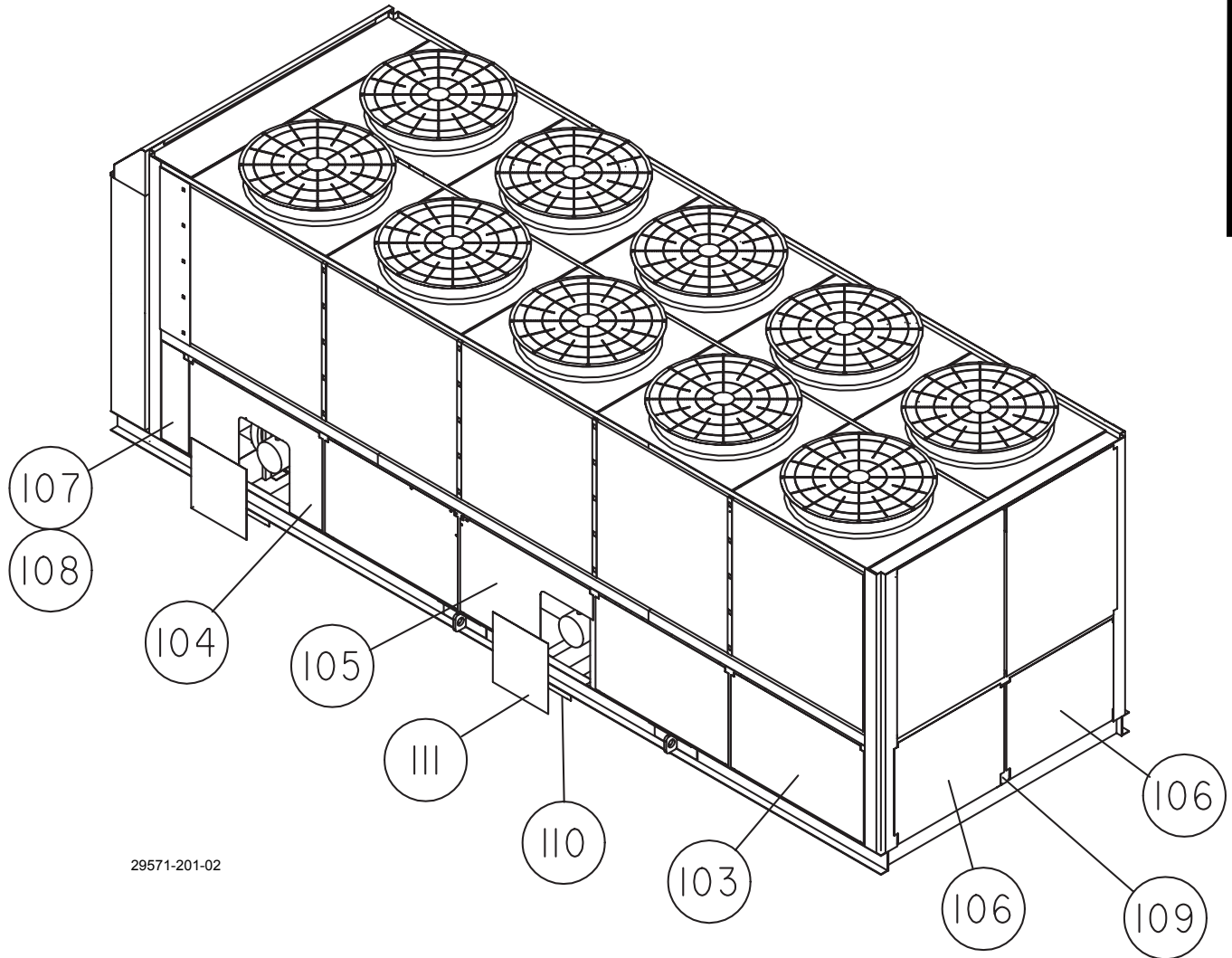
29571-160-2

**FIG. 21 – LOUVERED ENCLOSURE (TOP SECTIONS) - 375-29571-160 SHOWN
(REF. TABLE 22)**

TABLE 22 – LOUVERED ENCLOSURE (TOP SECTIONS) - (SEE FIG. 21)

LOUVERED ENCLOSURE TOP SECTIONS KIT COMPONENTS							
ITEM #	DESCRIPTION	375-29571-120	QTY	375-29571-160	QTY	375-29571-200	QTY
100	LOUVER PANEL - TOP	075-29580-000	6	075-29580-000	8	075-29580-000	10
101	Z CHANNEL	075-29588-000	2	075-29588-000	2	075-29588-000	2
102	Z CHANNEL	075-29589-000	4	075-29589-000	6	075-29589-000	8
103	REAR PANEL - LH	075-29532-000	1	075-29532-000	1	075-29532-000	1
104	REAR PANEL - RH	075-29533-000	1	075-29533-000	1	075-29533-000	1
105	REAR SUPPORT	075-25535-000	1	075-25535-000	1	075-25535-000	1
300	HARDWARE KIT (NOT SHOWN)	321-29571-160	1	321-29571-160	1	321-29571-200	1

ENCLOSURE KIT OPTIONS (CONT'D)



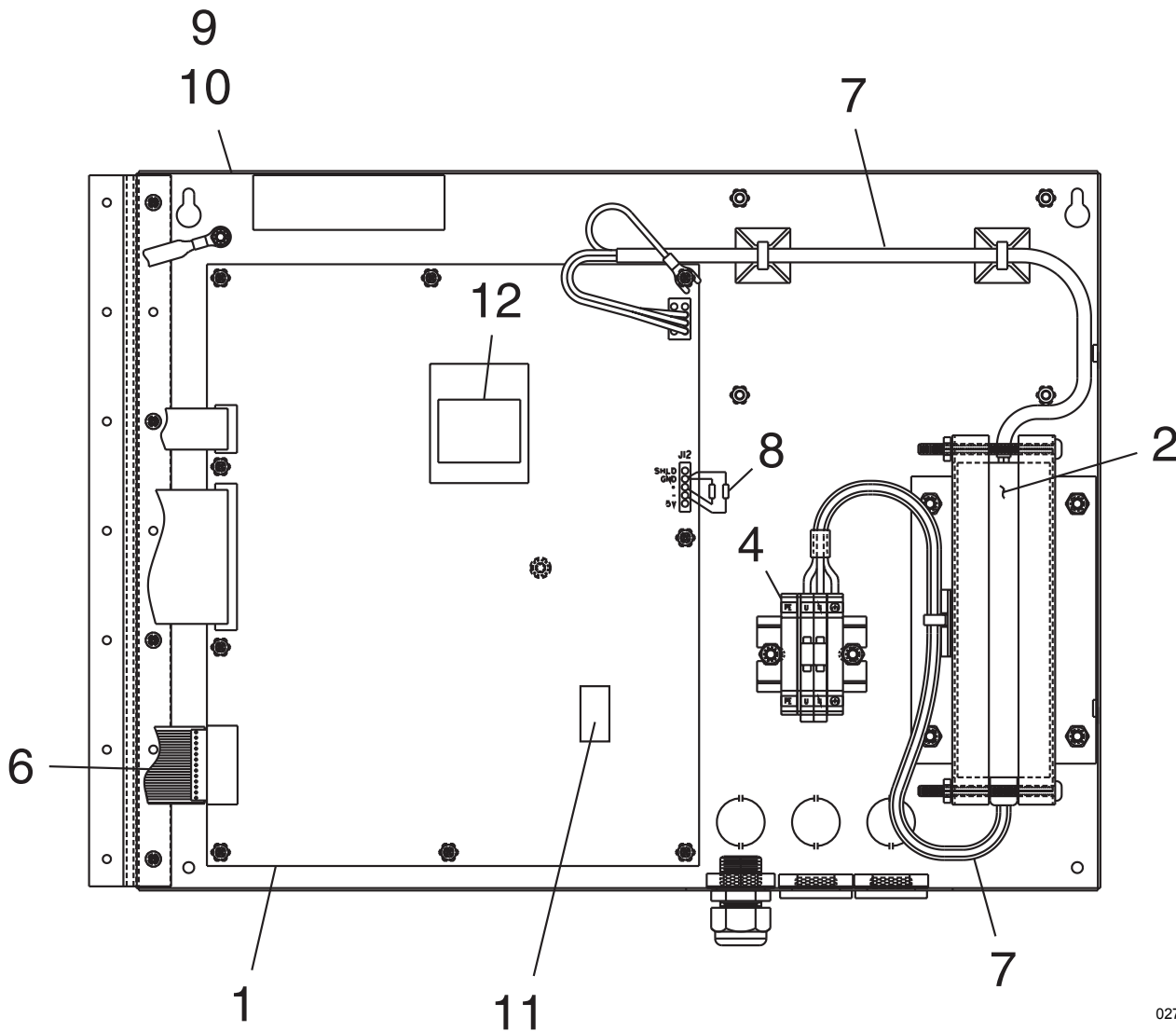
29571-201-02

FIG. 22 – LOUVERED ENCLOSURE (BOTTOM SECTIONS) - 375-29571-201 SHOWN (REF. TABLE 23)

TABLE 23 – LOUVERED ENCLOSURE (BOTTOM SECTIONS) - (SEE FIG. 22)

LOUVERED ENCLOSURE BOTTOM SECTIONS KIT COMPONENTS							
ITEM #	DESCRIPTION	375-29571-121	QTY	375-29571-161	QTY	375-29571-201	QTY
103	LOUVER PANEL	075-29581-000	4	075-29581-000	6	075-29581-000	8
104	LOUVER PANEL	075-29582-000	1	075-29582-000	1	075-29582-000	1
105	LOUVER PANEL	075-29584-000	1	075-29584-000	1	075-29584-000	1
106	LOUVER PANEL	075-29585-000	2	075-29585-000	2	075-29585-000	2
107	VANITY PANEL - RH	075-29591-000	1	075-29591-000	1	075-29591-000	1
108	VANITY PANEL - LH	075-29592-000	1	075-29592-000	1	075-29592-000	1
109	REAR SUPPORT	075-29590-000	1	075-29590-000	1	075-29590-000	1
110	ANGLE SUPPORT	075-29587-000	1	075-29587-000	1	075-29587-000	1
111	COVER PLATE	075-29586-000	1	075-29586-000	1	075-29586-000	1
300	HARDWARE KIT (NOT SHOWN)	321-29571-161	1	321-29571-161	1	321-29571-201	1

OPTIVIEW REMOTE CONTROL CENTER



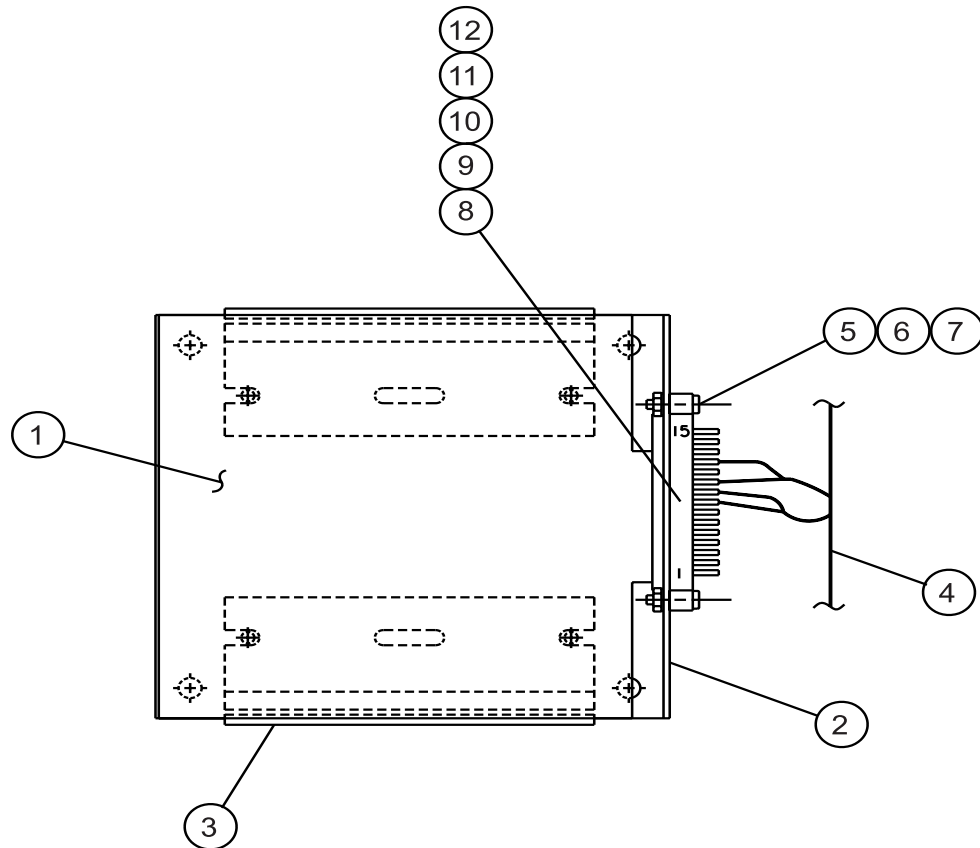
02750-3A

FIG. 23 – OPTIVIEW REMOTE CONTROL CENTER

TABLE 24 – OPTIVIEW REMOTE CONTROL CENTER PARTS - 371-02750-101

ITEM NUMBER	QTY	DESCRIPTION	PART NUMBER
1	1	MICROPROCESSOR BOARD	031-01730-002
2	1	POWER SUPPLY ASSEMBLY	371-02750-411
3	1	KEYPAD (NOT SHOWN)	024-30974-001
4	1	TERMINAL BLOCK	025-35120-000
5	1	DISPLAY (NOT SHOWN)	331-02053-000
6	1	RIBBON CABLE	031-02056-000
7	1	WIRE CABLE	571-02750-421
8	8	LAN TRANSIENT PROTECTION MODULE	031-01586-000
9	1	COVER, REMOTE CONTROL	371-02750-311
10	1	BASE, REMOTE CONTROL	071-02485-320
11	1	EPROM	031-01796-002
12	1	FLASH MEMORY CARD	031-02057-001

REMOTE CURRENT/TEMPERATURE RESET PARTS BREAKDOWN



LD05256

FIG. 24 – REMOTE CURRENT/TEMPERATURE RESET COMPONENTS

TABLE 25 – REMOTE CURRENT OR TEMPERATURE RESET KIT NUMBER 375-90914-000

ITEM NUMBER	QTY	DESCRIPTION	PART NUMBER
1	1	CONTROL, REMOTE CURRENT/TEMPERATURE	031-00814-000
2	1	BRACKET, REMOTE CURRENT/TEMPERATURE RESET	371-01232-361
3	1	TRACK, SNAP	071-01232-363
4	1	WIRING, REMOTE CURRENT/ TEMPERATURE RESET	571-02492-231*
5	2	SCREW, MACHINE PAN HEAD #4	021-17594-000
6	2	NUT, HEX #4-40UNC-2B	021-10056-000
7	2	LOCKWASHER, HELICAL SPRING #4 REG.	021-17576-000

* Refer to **Table 25A**

TABLE 25A – REMOTE RESET WIRING

ITEM NUMBER	QTY	DESCRIPTION	PART NUMBER
8	2	CONTROL, SOC AWG WIRE SIZE 20	025-19674-000
9	2	TERMINAL PUSH ON STRAIGHT	025-06642-000
10	4	TUBING HEAT SHRINKABLE 1/8 ID	025-29632-000
11	1	HGS CONNECTOR ELECTRICAL PLUG	025-32564-000*
12	1	CONNECTOR EDGE, 15 POSITION, 0.125	025-29631-000

RECOMMENDED SPARE PARTS

York Model YCAS Style G Air Cooled Screw Chillers
Suggested Spare Parts List for Critical Duty Applications

TABLE 26 – RECOMMENDED SPARE PARTS - YCAS0098-YCAS0208 CHILLERS

PAGE REF. & ITEM NUMBER	DESCRIPTION	MODEL NUMBER YCAS	PART NUMBER
Page 10, Item 1	Fan Motor (Standard)	-17	024-30900-002
		-28	024-30900-002
		-40	024-30900-004
		-46	024-30900-001
		-58	024-30900-003
Page 10, Item 1	Fan Motor (Low Noise)	-17	024-30933-002
		-28	024-30933-002
		-40	024-30933-004
		-46	024-30933-001
		-58	024-30933-003
Page 11, Item 1	Fan Motor (High Static)	-17	024-24604-002
		-28	024-24604-002
		-40	024-24604-004
		-46	024-24604-001
		-58	024-24604-003
Page 10, Item 2	Fan Blade (Standard)	All	026-41594-000
	Fan Blade (Low Noise)	All	026-41596-000
Page 11, Item 2	Fan Blade (High Static)	All	026-41598-000
Page 14 and 15, Item 1	Valve, Thermal Expansion	See Table 4	025-34558-xxx
			025-34559-xxx
			025-34560-xxx
Page 14 and 15, Item 5	Core, Dehydrator	All	026-37540-000
Page 24, Item 25	Element, Oil Filter	All	026-35601-000
Page 24, Item 26	O-Ring 2 - 152	All	028-13849-000
Page 25, Item 31	Valve, Capacity Control	All	025-33205-000
Page 26, Item OIL	Oil, Compressor (Type 'L')	R-22	011-00592-000
		407-C	
Page 29, Item 12	Microboard	All	031-01095-002
Page 29, Item 50	EPR0M	All	031-01798-001
Page 40-112, Item 1G	Motor Protector	All	024-30907-000
Page 114, Item 1	Fan Overload	6.3 Amp	024-34449-000
		9.0 Amp	024-34446-000
Page 114, Item 2	Fan Contactor	380V-575V	025-34448-000
		200V-230V	025-34445-000
Page 120, Item 1	Sensor, Outside Air Temperature	All	025-28663-001
Page 120, Item 6	Transducer, Suction Pressure (0-200psi)	All	025-29583-000
Page 120, Item 7	Transducer, Discharge Pressure (0-400psi)	All	025-29139-001

All parts should be purchased from your local YORK
Sales and Service Center.

This page intentionally left blank

